



Electronic Service Manuals

This electronic document is provided as a service to our customers. We do not create the contents of the information contained in this document. Should you have detailed questions pertaining to the information contained in this document, you may contact Michco, or the manufacturer which provided the original information in this electronic deliverable. Michco's only part in this electronic deliverable was the electronic assembly process. By providing this manual on line we are not guaranteeing parts availability.

You may contact Michco through the following methods:

Phone (517) 484-9312 or (800) 331-3339

2011 N. High St. -- Lansing, Michigan -- 48906

Fax: (517) 484-9836

Email: CustServe@Michco.com

Web site: www.Michco.Com

Parts Web site: www.FloorMachineParts.Com

Order Parts on Line at:

www.FloorMachineParts.Com

Directly to Parts & Service:

By Email: **Shop@Michco.com**

By Fax: (517) 702-2041

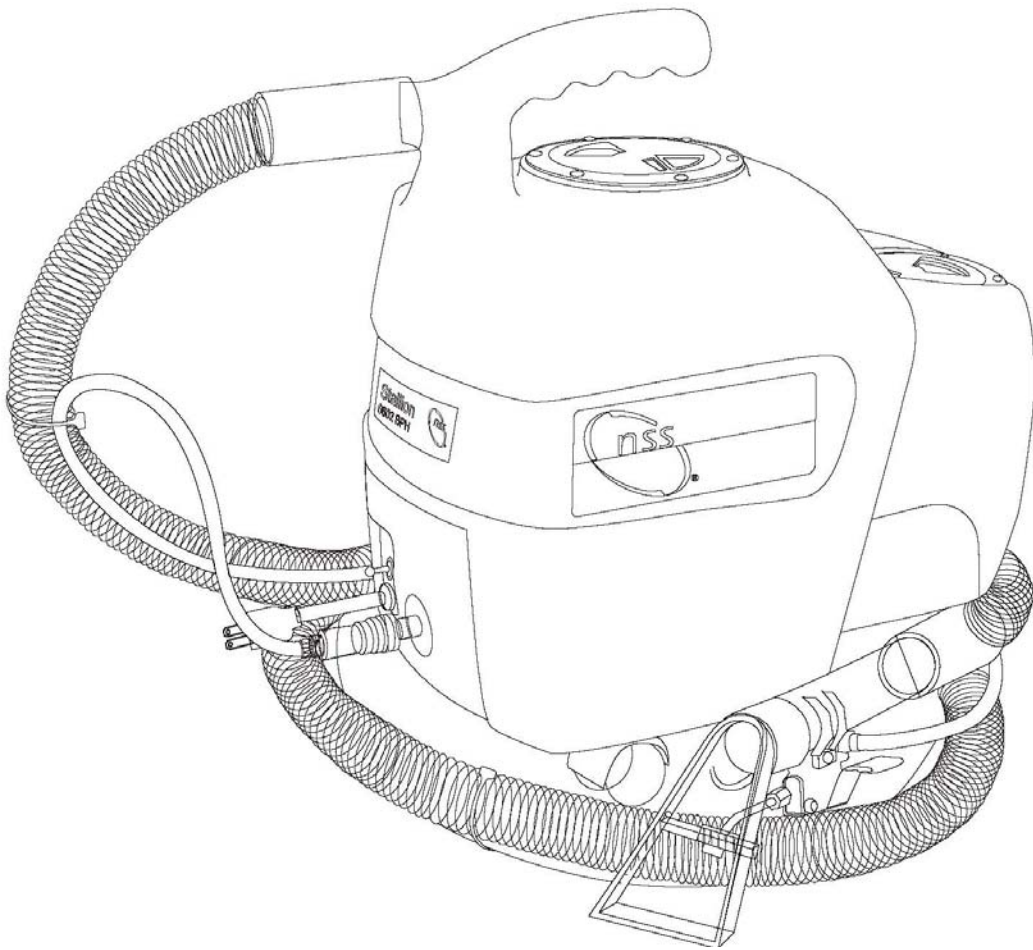
By Voice: Use numbers above.

Serving the Cleaning Industry Since 1922

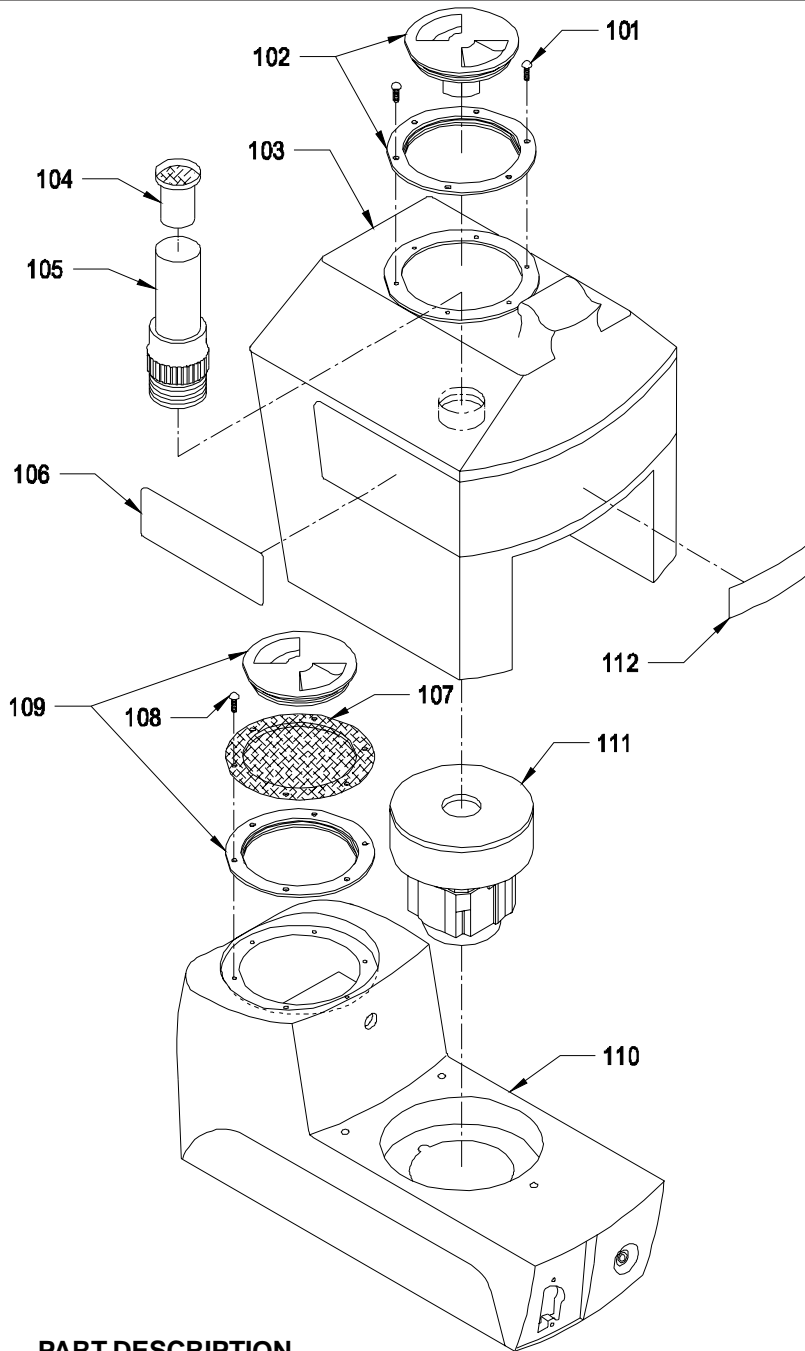
Notice: All copyrighted material remains property of original owners, all trademarks are property of respective owners. Manuals are subject to Manufacturer's reproduction limitations. Originals or reproductions were provided by manufacturers through a request. We make no warranty as to the correctness of information provided in this document and you assume all risk. By placing these manuals on line we are not declaring our corporation to be an manufacturer authorized dealer or provider, please check our web site for authorized manufacturers we represent.

PARTS LIST

STALLION 0602 BPH HOT SPOTTER

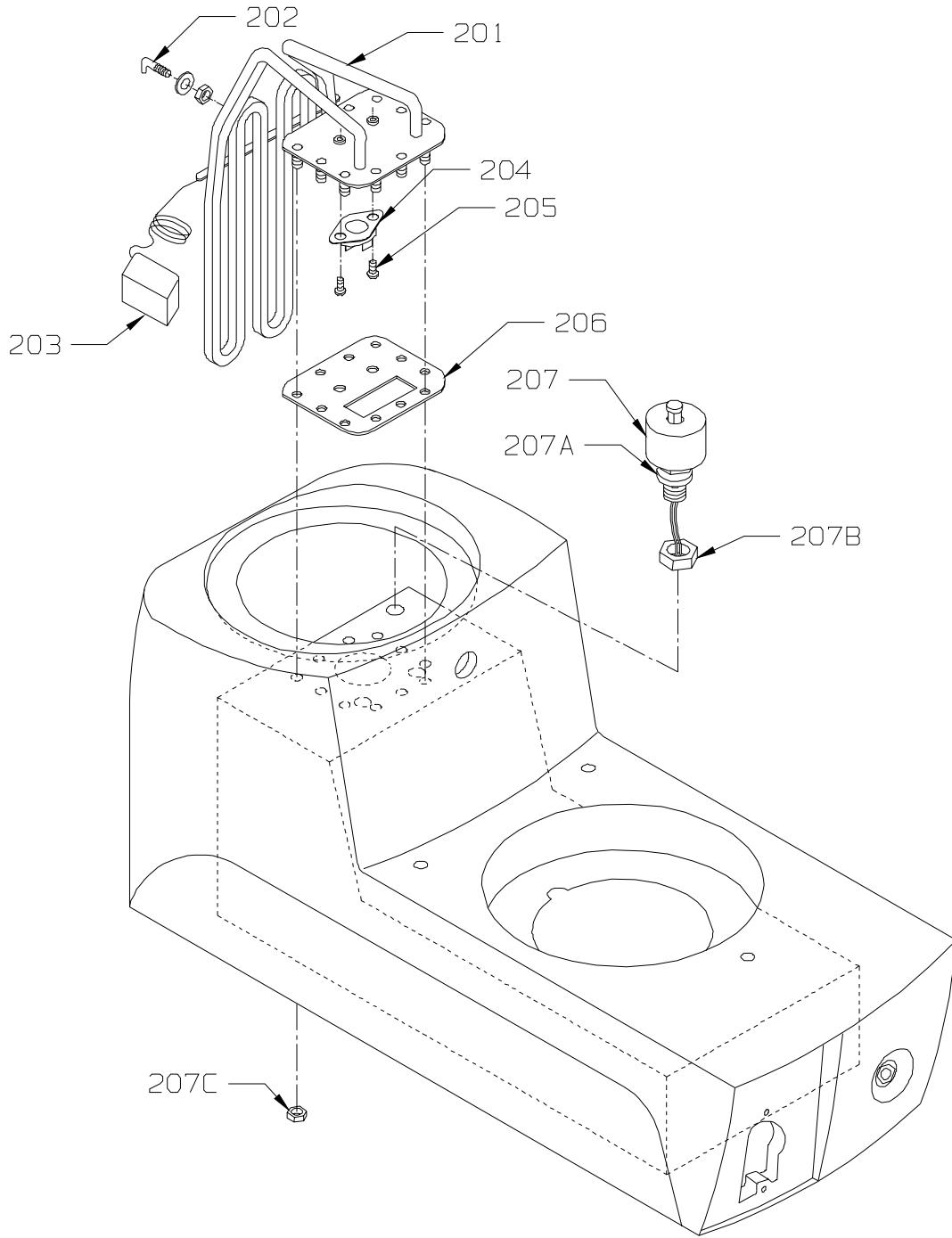


SOLUTION / RECOVERY TANKS



<u>ITEM</u>	<u>PART NO.</u>	<u>PART DESCRIPTION</u>	<u>QTY.</u>
101	2795681	8-32 X 5/8 PAN HEAD PHILLIPS SHEET METAL SCREW	6
102	4591201	LID ASSEMBLY	1
103	4591211	RECOVERY TANK	1
104	4591031	INTAKE SCREEN	1
105	4591151	INTAKE STACK ASSEMBLY	1
106	4591021	SIDE DECAL	1
107	4591221	SCREEN	1
108	2795681	8-32 X 5/8 PAN HEAD PHILLIPS SHEET METAL SCREW	6
109	4591201	LID ASSEMBLY	1
110	4591241	SOLUTION TANK	1
111	4591231	VACUUM MOTOR ASSEMBLY - INCLUDES:	1
111A	4591511	CARBON BRUSHES - GS - 6300	2
112	4591011	STALLION HOT SPOTTER NAME IDENTIFIER LOGO	1

HEATING ELEMENT

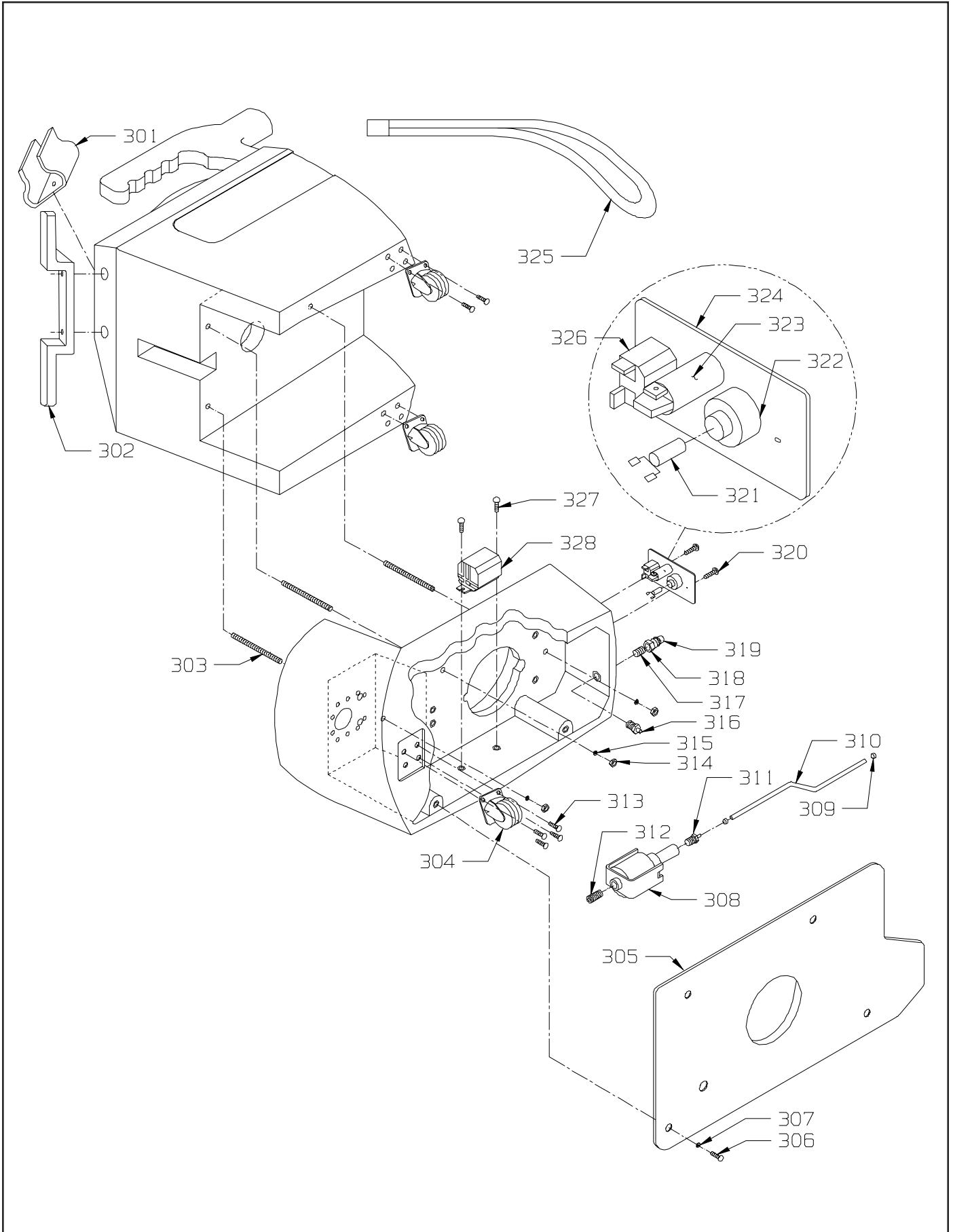


ITEM	PART NO.	PART DESCRIPTION	QTY.
201	4591261	HEAT ELEMENT	1
202	4591391	J-BOLT ASSEMBLY	1
203	4591401	THERMOSTAT CONTROLLER	1
204	4591411	THERMOSTAT	1
205	9120060	6-32 X 5/16 PAN HEAD SLOT MACHINE SCREW - BRASS	2
206	4591431	GASKET - HEAT ELEMENT	1
207	4591451	FLOAT SWITCH - INCLUDES:	1
207A	4591461	GASKET - FLOAT SWITCH	1
207B	-----	NUT - FLOAT SWITCH	1
207C	4591441	8-32 FLANGE NUT	11

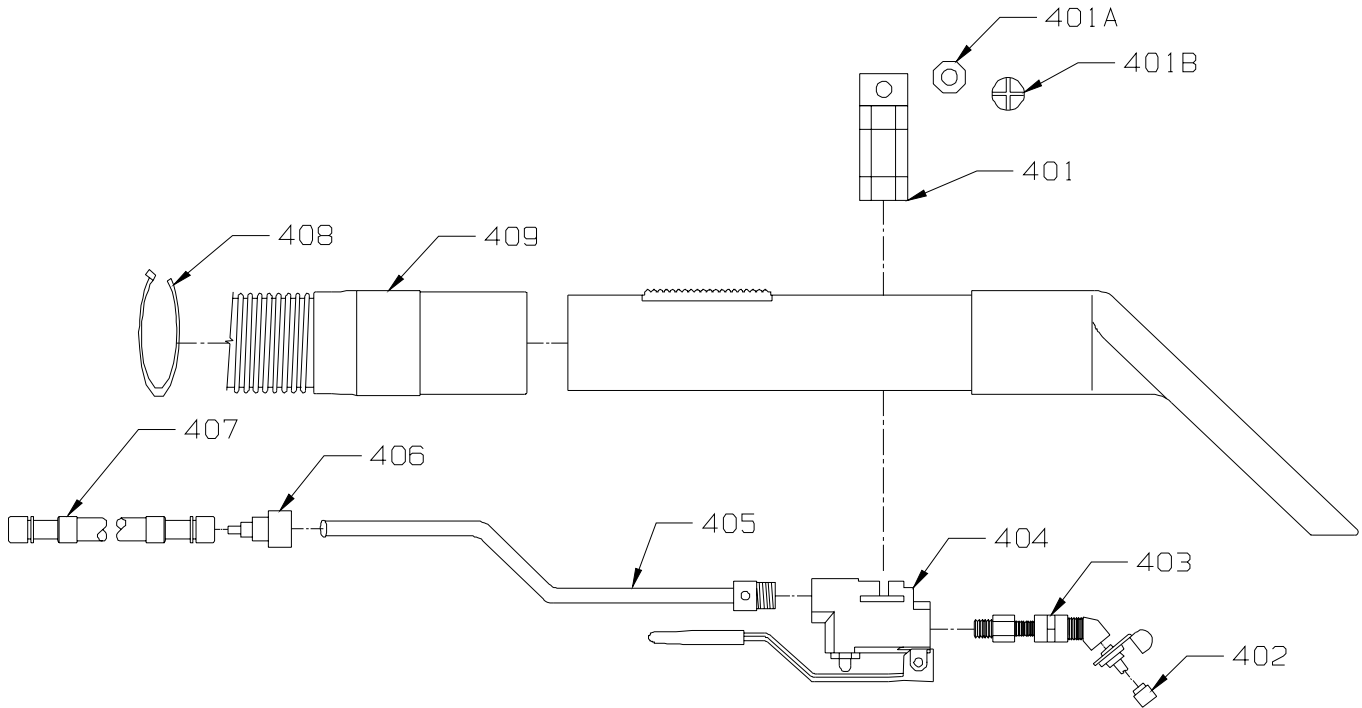
INTERNAL COMPONENTS

<u>ITEM</u>	<u>PART NO.</u>	<u>PART DESCRIPTION</u>	<u>QTY.</u>
301	4591281	TOOL HOLDER	1
302	4591271	CORD BRACKET	1
303	4591251	1/4-20 X 3 1/2 FULL THREADED STUD	3
304	4591041	CASTER	3
305	4591471	BOTTOM COVER	1
306	9120230	8-32 X 1/2 PAN HEAD PHILLIPS MACHINE SCREW	4
307	9120185	5/32 I.D. X 1/2 O.D. WASHER	4
308	4591141	PUMP - 60 PSI	1
309	4591161	CLAMP - HOSE	2
310	4591171	HOSE	1
311	4591121	BARB	1
312	4591131	1/8 NPT CLOSE NIPPLE - HEX	1
313	9120230	8-32 X 1/2 PAN HEAD PHILLIPS MACHINE SCREW	12
314	9120920	1/4-20 HEX NUT	3
315	9120880	1/4 SPLIT LOCK WASHER	3
316	4591121	BARB	1
317	4591111	1/8 NPT CLOSE NIPPLE	1
318	4591101	SPACER	1
319	4591081	PLUG	1
320	9120060	6-32 X 5/16 PAN HEAD SLOT MACHINE SCREW - BRASS	2
321	4591071	CORD	1
322	4591361	STRAIN RELIEF	1
323	4591341	LIGHT	1
324	4591301	CONTROL PANEL	1
325	4591051	TOWING STRAP	1
326	4591061	SWITCH	1
327	9120230	8-32 X 1/2 PAN HEAD PHILLIPS MACHINE SCREW	2
328	4591311	RELAY	1
N/S	4591321	WIRE HARNESS	1

INTERNAL COMPONENTS



HOSE AND WAND ASSEMBLY



<u>ITEM</u>	<u>PART NO.</u>	<u>PART DESCRIPTION</u>	<u>QTY.</u>
	4591091	UPHOLSTERY TOOL ASSEMBLY - INCLUDES:	1
401	4097671	1 1/2" VALVE HANGER - INCLUDES:	1
401A	9120700	10-32 HEX NUT	1
401B	9120775	10-32 X 1 1/8 PAN HEAD PHILLIPS MACHINE SCREW	1
402	4591381	QUICK JET NOZZLE	1
403	4591371	NOZZLE TUBE ASSEMBLY	1
404	4097691	VALVE - INCLUDES:	1
404A	4098161	VALVE HANDLE	1
404B	4097061	"O" RING - LARGE - ABOVE STEM	1
404C	4097071	"O" RING - SMALL - UPPER STEM	1
405	4591491	WHIP	1
406	4591521	MALE PLUG - QUICK DISCONNECT	1
407	4591191	SOLUTION HOSE - 10 FEET	1
408	4591501	CABLE TIE - 8"	1
409	4591181	VACUUM HOSE	1

NOTES



NSS ® Enterprises, Inc.

3115 Frenchmens Road, Toledo, Ohio 43607
PHONE (419) 531-2121 FAX (419) 531-3761

NSS ® Enterprises, Inc. European Distribution Centre
Unit II, Pinfold Trading Estate * 55 Nottingham Road
STAPLEFORD, NOTTINGHAM NG9 8AD ENGLAND U.K.
PHONE: (44) 0115 939 1568 * FAX: (44) 0115 949 0615