



Electronic Service Manuals

This electronic document is provided as a service to our customers. We do not create the contents of the information contained in this document. Should you have detailed questions pertaining to the information contained in this document, you may contact Michco, or the manufacturer which provided the original information in this electronic deliverable. Michco's only part in this electronic deliverable was the electronic assembly process. By providing this manual on line we are not guaranteeing parts availability.

You may contact Michco through the following methods:

Phone (517) 484-9312 or (800) 331-3339

2011 N. High St. -- Lansing, Michigan -- 48906

Fax: (517) 484-9836

Email: CustServe@Michco.com

Web site: www.Michco.Com

Parts Web site: www.FloorMachineParts.Com

Order Parts on Line at:

www.FloorMachineParts.Com

Directly to Parts & Service:

By Email: **Shop@Michco.com**

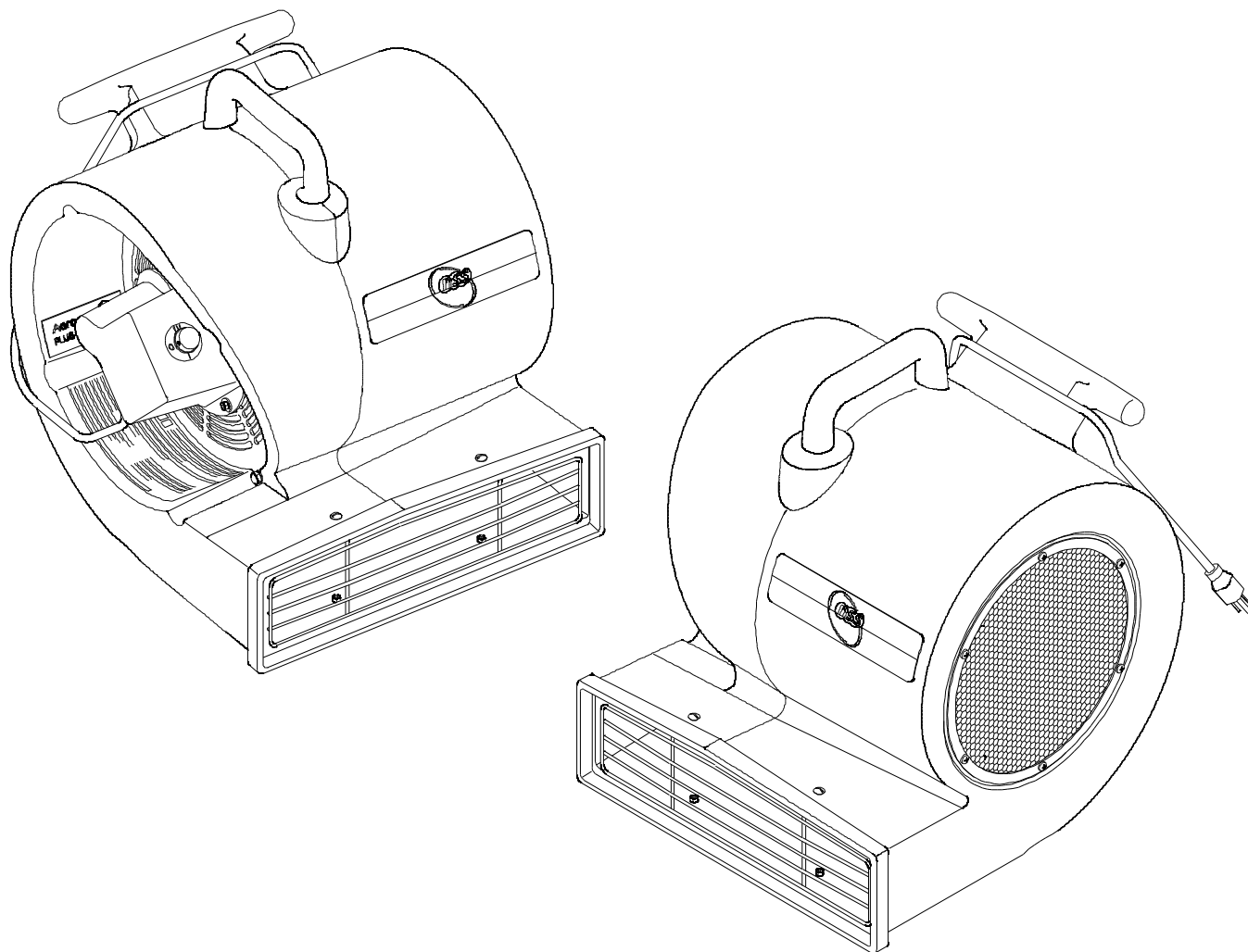
By Fax: (517) 702-2041

By Voice: Use numbers above.

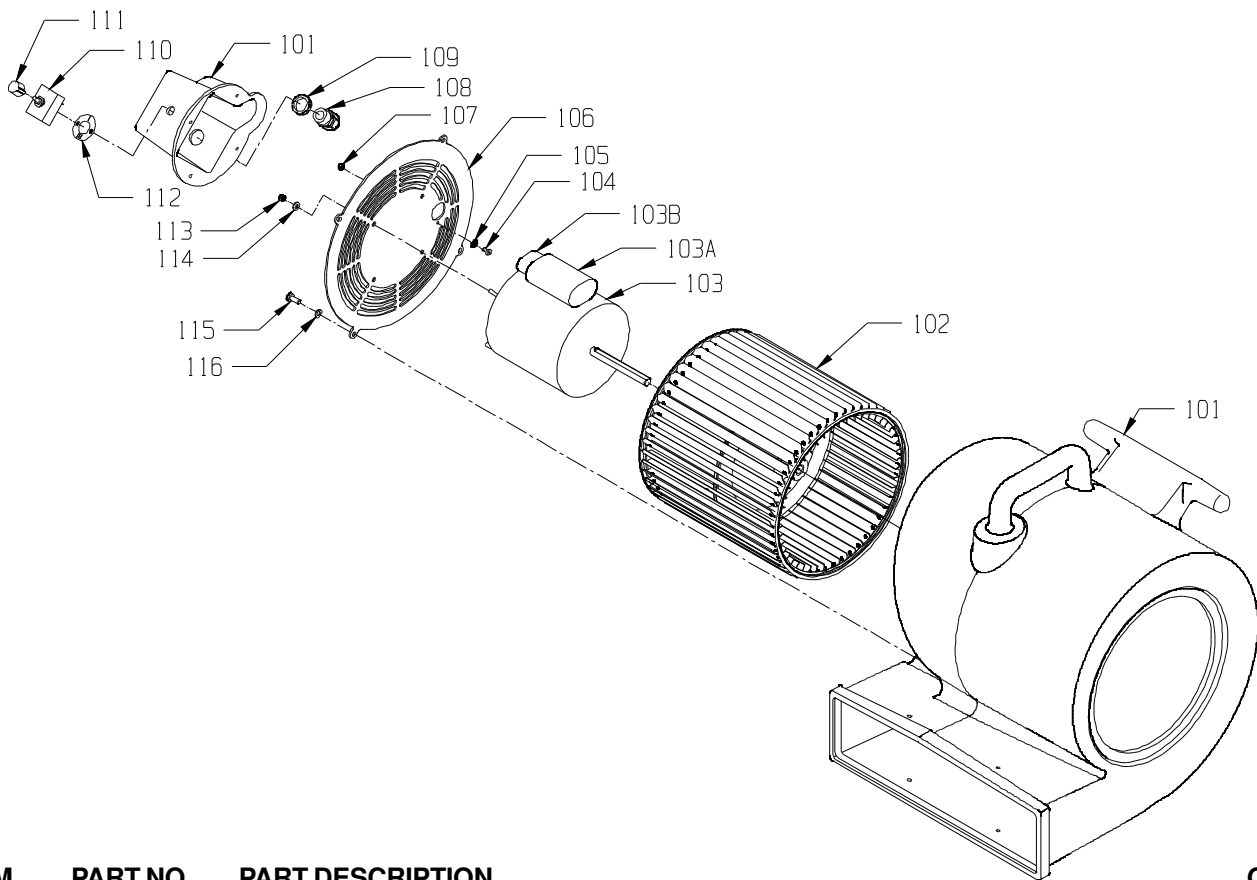
Serving the Cleaning Industry Since 1922

Notice: All copyrighted material remains property of original owners, all trademarks are property of respective owners. Manuals are subject to Manufacturer's reproduction limitations. Originals or reproductions were provided by manufacturers through a request. We make no warranty as to the correctness of information provided in this document and you assume all risk. By placing these manuals on line we are not declaring our corporation to be an manufacturer authorized dealer or provider, please check our web site for authorized manufacturers we represent.

PARTS LIST
AERO PLUS

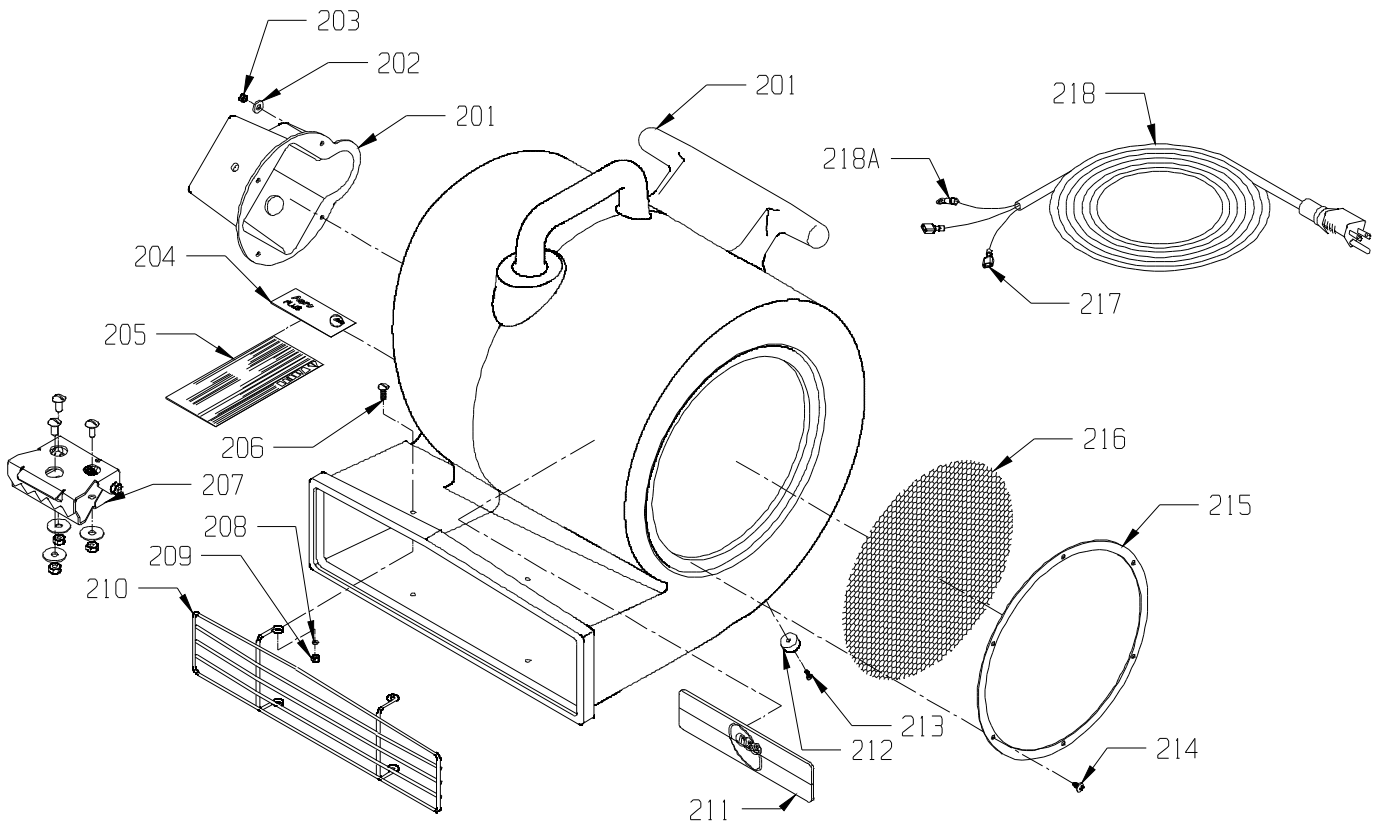


INTERNAL COMPONENTS



ITEM	PART NO.	PART DESCRIPTION	QTY
101	4792011	HOUSING, CENTRIFUGAL BLOWER AND SWITCH COVER	1
102	4792051	CENTRIFUGAL DOUBLE INLET IMPELLER WHEEL	1
103	4792031	MOTOR - 120 VOLT - 3 SPEED - 1/2 HP - INCLUDES:	1
103A	4792251	CAPACITOR - 120 VOLT	1
103B	4792281	CAPACITOR BOOT	1
103C	4991361	FULLY INSULATED FEMALE TERMINAL 18 - 22 GAGE	3
103D	0298981	# 10 RING TERMINAL 14-16 GAGE	1
103E	4991371	FULLY INSULATED MALE TERMINAL - 18-22 GAGE	1
103	4792231	MOTOR - 240 VOLT - 3 SPEED - 1/3 HP - INCLUDES:	1
103A	4792281	BOOT - CAPACITOR	1
103B	4792261	CAPACITOR - 240 VOLT	1
103C	4991361	FULLY INSULATED FEMALE TERMINAL 18 - 22 GAGE	3
103D	0298981	# 10 RING TERMINAL 14-16 GAGE	1
103E	4991371	FULLY INSULATED MALE TERMINAL - 18-22	1
104	9120520	10-24 X 5/8 TRUSS HEAD PHILLIPS MACHINE SCREW - PACK OF 10	1
105	9120330	# 10 EXTERNAL STAR LOCK WASHER - PACK OF 10	1
106	4792061	MOTOR MOUNT PLATE	1
107	9120360	10-24 HEX NUT WITH STAR LOCK WASHER - PACK OF 10	1
108	3190381	STRAIN RELIEF - NON-FLEXIBLE	1
109	0891131	PLASTIC STRAIN RELIEF NUT	1
110	4792041	SWITCH - 4 POSITION - ON / OFF / MEDIUM / LOW	1
111	5490131	KNOB - INCLUDES:	1
111A	9120170	8-32 X 3/16 SET SCREW - KNURL POINT	1
112	4792341	SPEED CONTROL DECAL	1
113	9120660	10-32 HEX NUT WITH NYLOK INSERT - PACK OF 10	4
114	9120370	7/32 I.D. X 1/2 O.D. X .032/.065 THICK FLAT WASHER # 10 - PACK OF 10	4
115	9121210	1/4-20 X 5/8 HEX BOLT - PACK OF 10	4
116	9120880	1/4 SPLIT LOCK WASHER - PACK OF 10	4

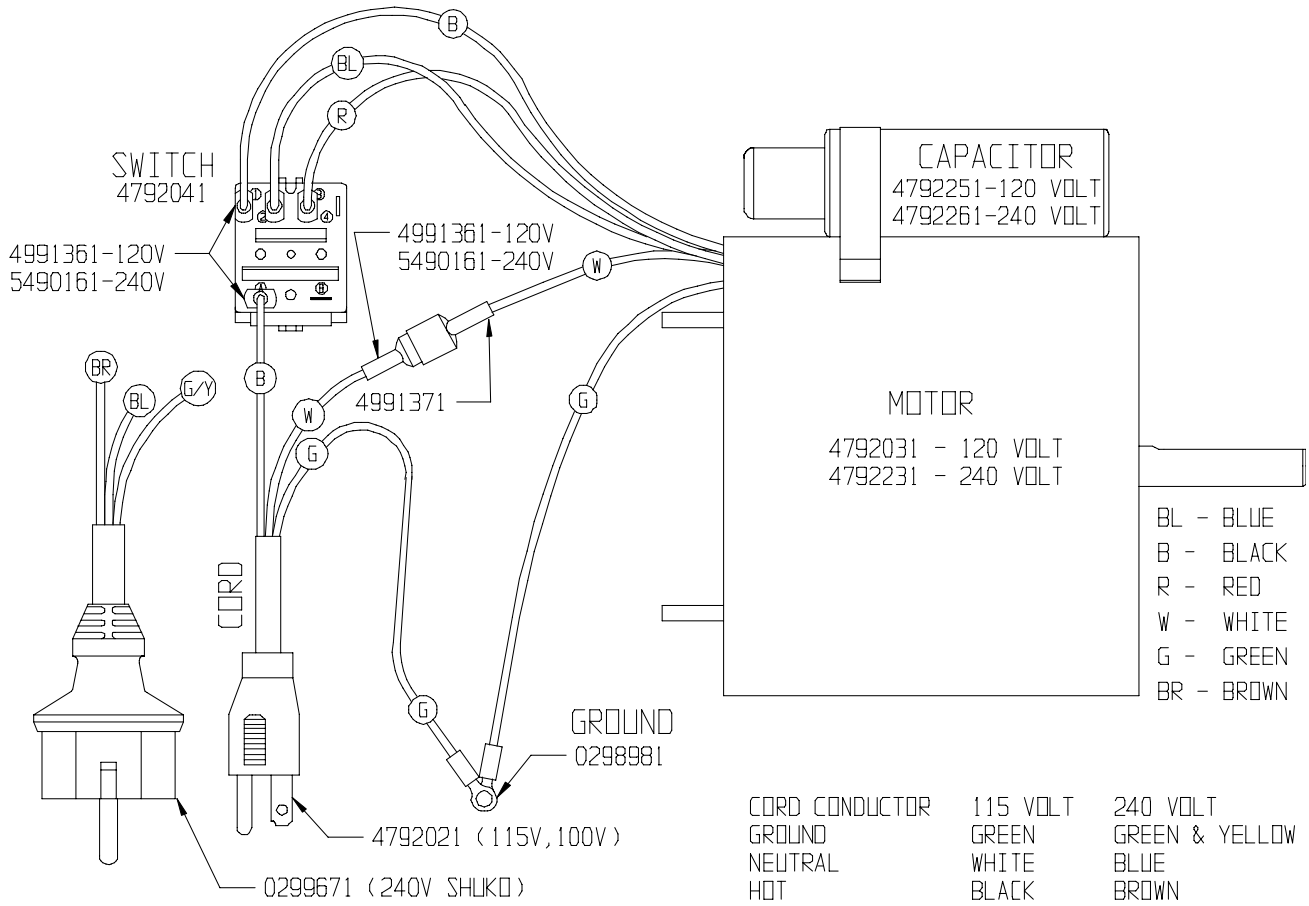
EXTERNAL COMPONENTS



ITEM	PART NO.	PART DESCRIPTION	QTY.
201	4792011	HOUSING, CENTRIFUGAL BLOWER AND SWITCH COVER	1
202	9120370	7/32 I.D. X 1/2 O.D. X .032/.065 THICK FLAT WASHER # 10 - PACK OF 10	4
203	9120660	10-32 HEX NUT WITH NYLOK INSERT - PACK OF 10	4
204	4792351	IDENTIFIER DECAL - AERO	1
205	4792331	WARNING DECAL	1
206	9120520	10-24 X 5/8 TRUSS HEAD PHILLIPS MACHINE SCREW - PACK OF 10	4
207	4792169	CARPET CLAMP ASSEMBLY - OPTIONAL	1
208	9120370	7/32 I.D. X 1/2 O.D. X .032/.065 THICK FLAT WASHER # 10 - PACK OF 10	4
209	9120350	10-24 HEX NUT WITH NYLOK INSERT - PACK OF 10	4
210	4792151	GRILL - OUTLET	1
211	4792321	2 X 8 FRONT DECAL	1
212	6793371	RUBBER FOOT	2
213	9120205	8 X 1/2 PAN HEAD PHILLIPS SHEET METAL SCREW - PACK OF 3	2
214	9120785	10 X 3/8 PAN HEAD PHILLIPS SHEET METAL SCREW - PACK OF 10 - PACK OF 6	6
215	4792291	LEFT INLET PLATE GUARD RING	1
216	4792071	PLATE - LEFT INLET	1
217	4991361	FULLY INSULATED FEMALE TERMINAL 18 - 22 GAGE - 120 VOLT	2
217	5490161	FULLY INSULATED FEMALE TERMINAL 14-16 GAGE - 240 VOLT	2
218	4792021	CORD - 120 VOLT - 18/3 - 25 FEET	1
218	0299671	SHUKO CORD - 240 VOLT - 75 FEET	1
218A	0298981	# 10 RING TERMINAL 14-16 GAGE	1

WIRING DIAGRAM

WIRING DIAGRAM



NSS® Enterprises, Inc.

3115 Frenchmens Road, Toledo, Ohio 43607
PHONE (419) 531-2121 FAX (419) 531-3761

NSS® Enterprises, Inc. European Distribution Centre
Unit II, Pinfold Trading Estate * 55 Nottingham Road
STAPLEFORD, NOTTINGHAM NG9 8AD ENGLAND U.K.
PHONE: (44) 0115 939 1568 * FAX: (44) 0115 949 0615