



Electronic Service Manuals

This electronic document is provided as a service to our customers. We do not create the contents of the information contained in this document. Should you have detailed questions pertaining to the information contained in this document, you may contact Michco, or the manufacturer which provided the original information in this electronic deliverable. Michco's only part in this electronic deliverable was the electronic assembly process. By providing this manual on line we are not guaranteeing parts availability.

You may contact Michco through the following methods:

Phone (517) 484-9312 or (800) 331-3339

2011 N. High St. -- Lansing, Michigan -- 48906

Fax: (517) 484-9836

Email: CustServe@Michco.com

Web site: www.Michco.Com

Parts Web site: www.FloorMachineParts.Com

Order Parts on Line at:

www.FloorMachineParts.Com

Directly to Parts & Service:

By Email: **Shop@Michco.com**

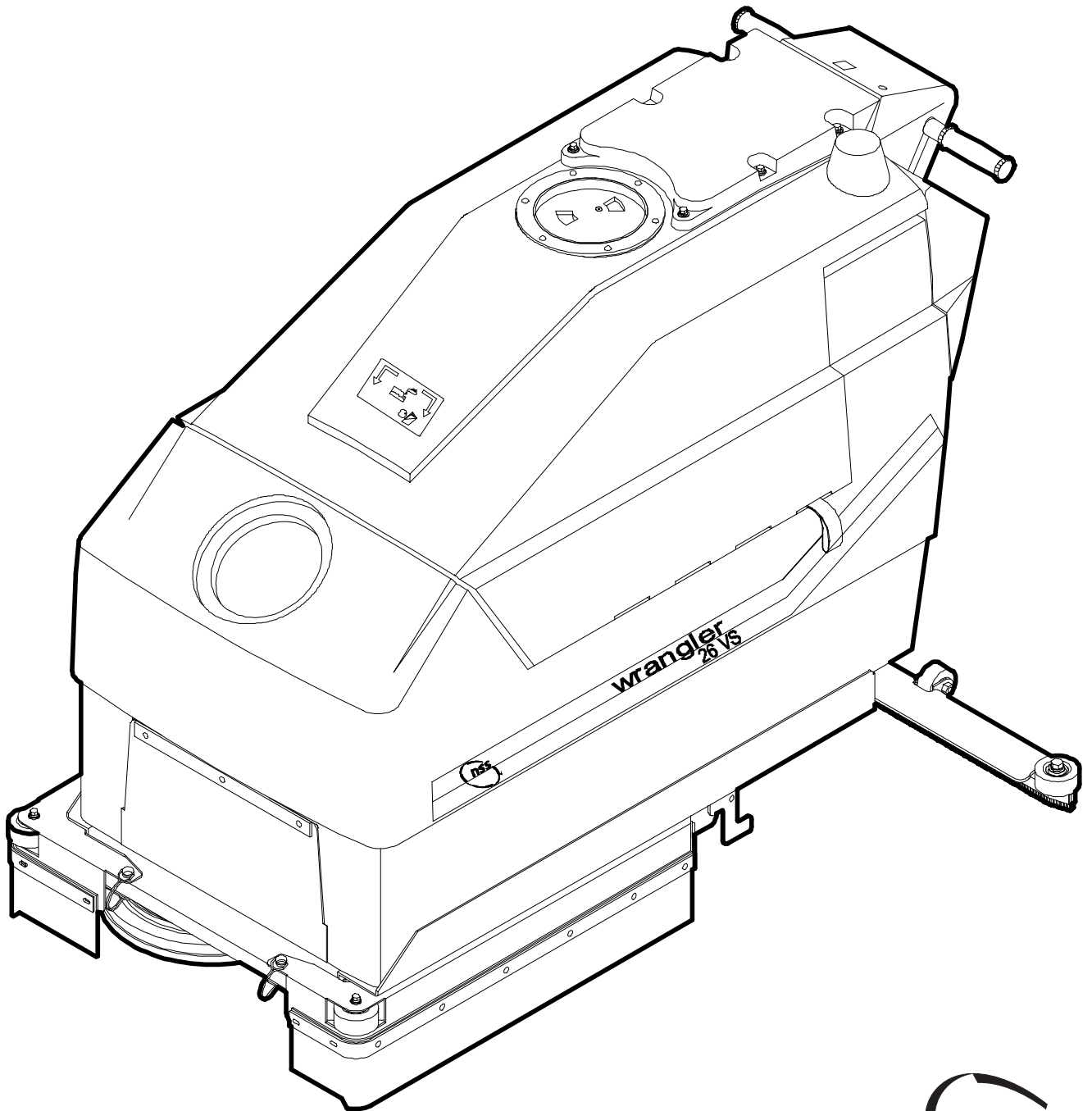
By Fax: (517) 702-2041

By Voice: Use numbers above.

Serving the Cleaning Industry Since 1922

Notice: All copyrighted material remains property of original owners, all trademarks are property of respective owners. Manuals are subject to Manufacturer's reproduction limitations. Originals or reproductions were provided by manufacturers through a request. We make no warranty as to the correctness of information provided in this document and you assume all risk. By placing these manuals on line we are not declaring our corporation to be an manufacturer authorized dealer or provider, please check our web site for authorized manufacturers we represent.

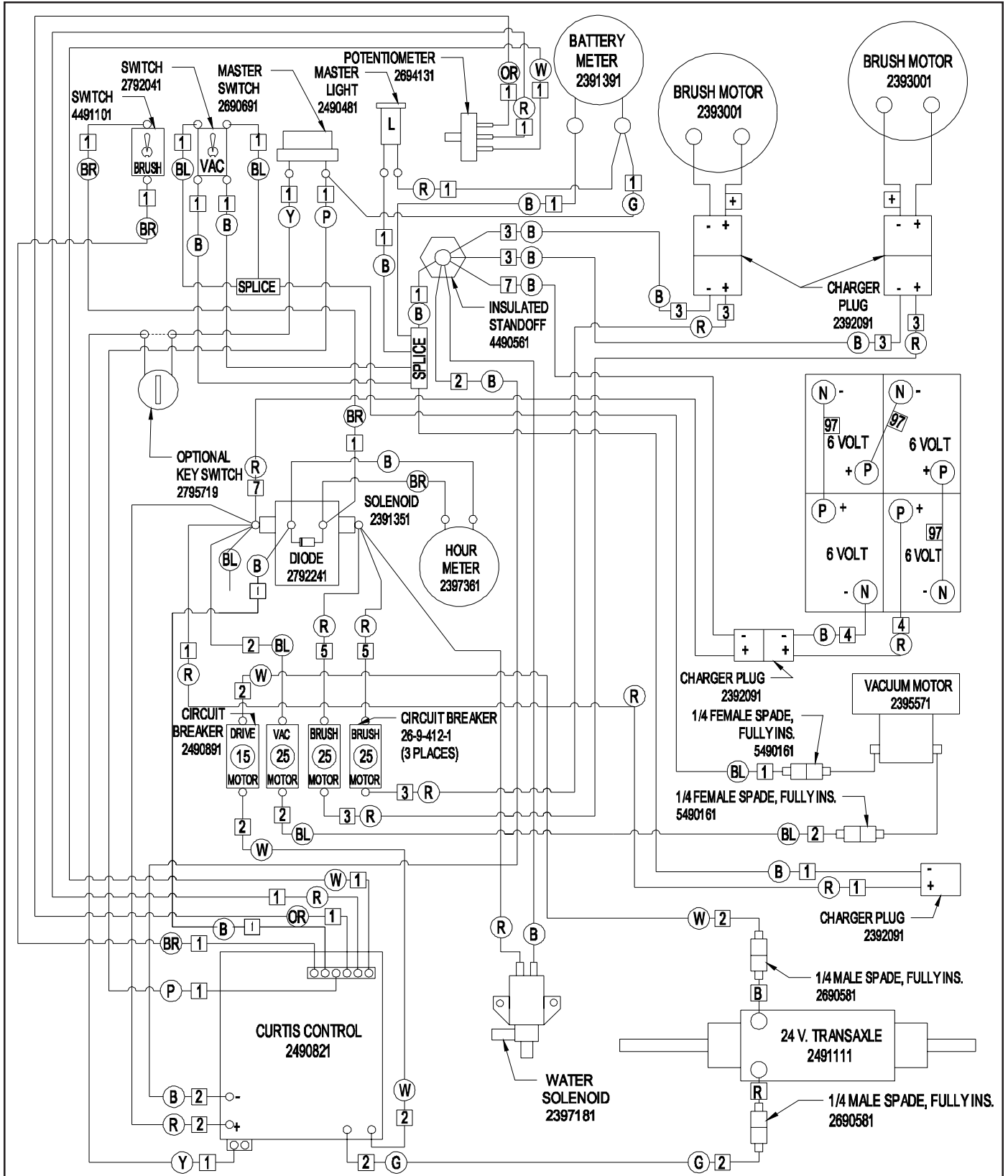
PARTS LIST
WRANGLER 26-VS



ELECTRICAL WIRING

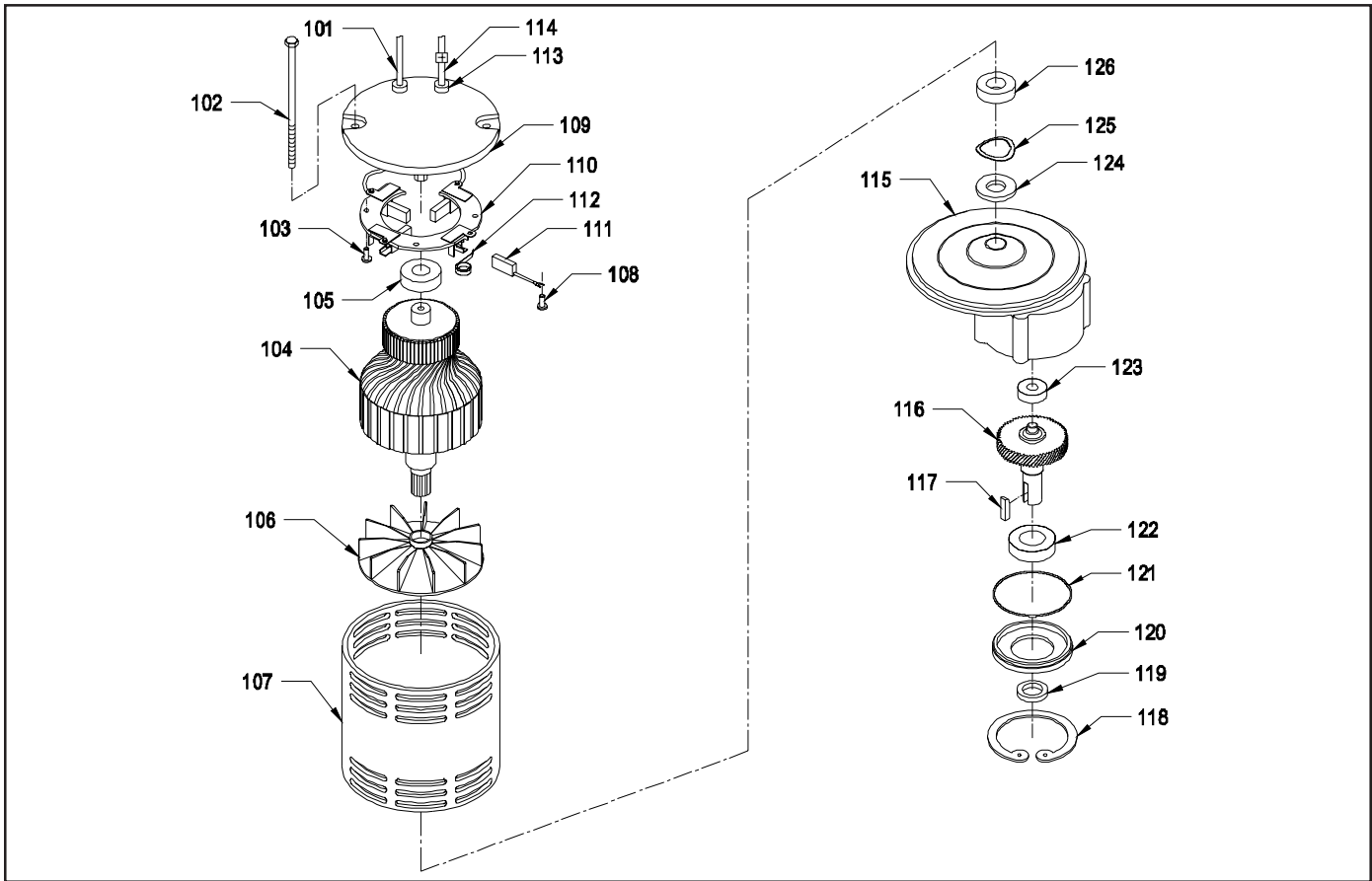
<u>ITEM</u>	<u>PART NO.</u>	<u>DESCRIPTION</u>	<u>QTY.</u>
1	2694161	UPPER WIRING HARNESS	1
2	2694171	LOWER WIRING HARNESS	1
3	2490811	BRUSH MOTOR WIRE ASSEMBLY	1
4	2396141	WIRE ASSEMBLY ANDERSON TO POSITIVE / NEGATIVE BATTERY	1
5	2694181	POSITIVE BRUSH JUMPER	1
7	2396151	WIRE ASSEMBLY ANDERSON TO SOLENOID/STANDOFF	1
97	2391981	BATTERY JUMPER 3/8 RING	3
—	2391351	SOLENOID 24 VOLT SINGLE POLE	1
—	2391391	BATTERY METER	1
—	2391901	CHARGER PLUG ONLY - RED 24 VOLT	5
—	2393001	GEAR MOTOR - 3/4 HP 24 VOLT DC	2
—	2395571	VAC MOTOR - 24 VOLT - 3 STAGE	1
—	2491111	TRANSAXLE - 24"	1
—	2490481	GREEN INDICATOR LIGHT - 24 VOLT WITH CLIP	1
—	2490821	SPEED CONTROL - CURTIS - 24 VOLT	1
—	2490891	15 AMP CIRCUIT BREAKER	1
—	5490161	FULLY INSULATED FEMALE TERMINAL 14-16 GAGE	2
—	2690581	1/4 MALE SPADE TERMINAL FULLY INSULATED 10-12 GAGE	2
—	2690691	MASTER SWITCH	1
—	2694121	25 AMP CIRCUIT BREAKER	3
—	2694131	POTENTIOMETER	1
—	2792041	TOGGLE SWITCH	1
—	2795719	KEY SWITCH KIT (OPTIONAL)	-
—	2795739	HOUR METER KIT (SERVICE OPTION)	-
—	2397361	HOUR METER	1
—	2397181	WATER SOLENOID	1
—	2490991	WIRE ASSEMBLY HOUR METER	1
—	2491001	WIRE ASSEMBLY WATER SOLENOID	1
—	4490561	INSULATED STANDOFF	1
—	4491101	TOGGLE SWITCH	1
—	2692661	WIRE, JUMPER TO EMERGENCY STOP	1
—	2692671	WIRE, EMERGENCY STOP TO MASTER	1
—	2490961	#6 RING TERMINAL 18-22 GAGE OPTIONAL WITH KEY SWITCH	2

ELECTRICAL WIRING DIAGRAM



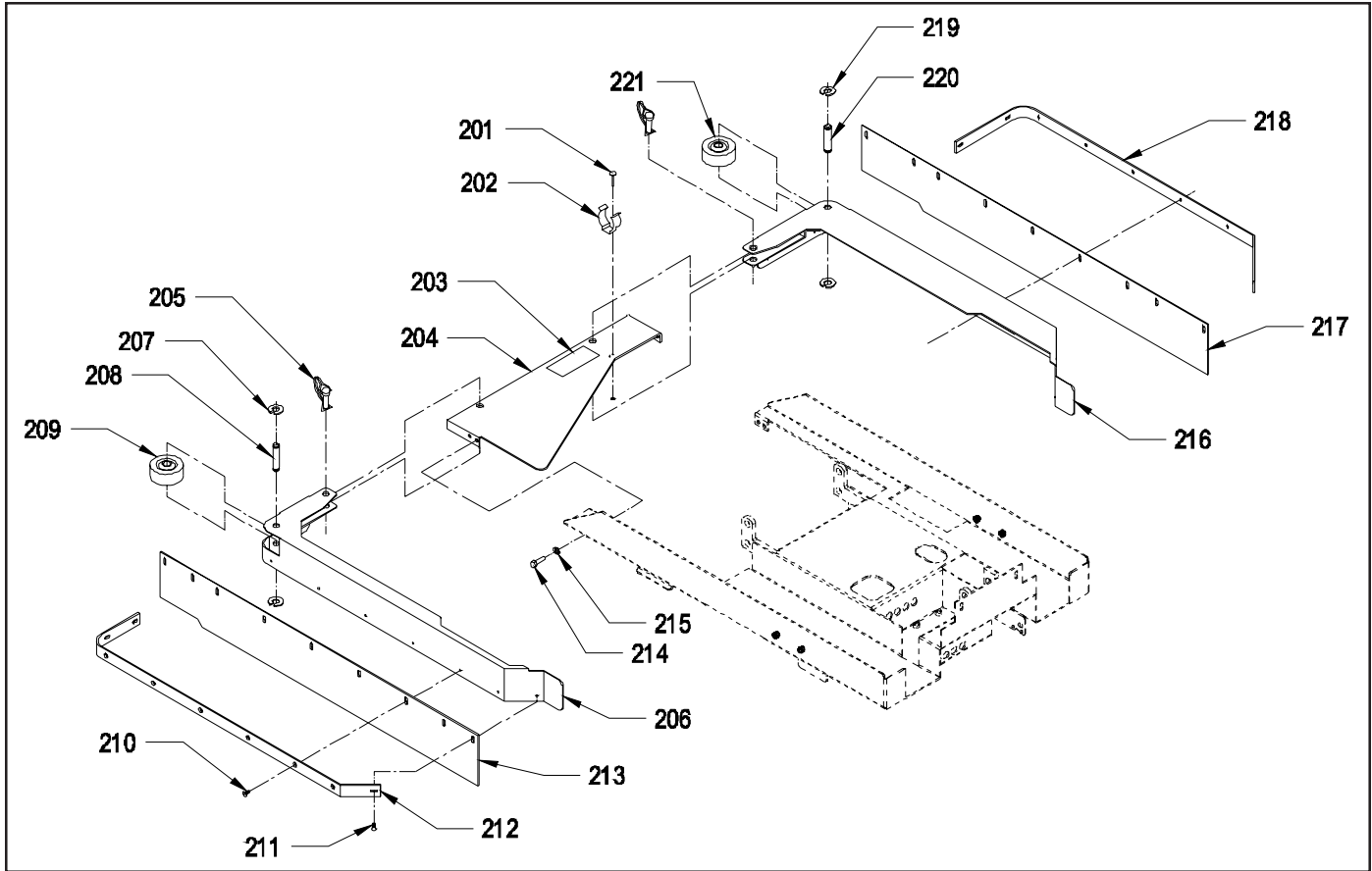
B = BLACK Y = YELLOW PU = PURPLE
 W = WHITE G = GREEN BL = BLUE
 BR = BROWN R = RED OR = ORANGE

BRUSH GEAR MOTOR



ITEM	PART NO.	PART DESCRIPTION	QTY.
	2393001	COMPLETE MOTOR ASSEMBLY	1
101	3391221	NEGATIVE LEAD	1
102	3391201	1/4-20 X 7 3/4 THRU BOLT	2
103	—	10-24 X 1/2 SELF TAP ROUND HEAD SLOTTED SCREW	2
104	2393251	ARMATURE ASSEMBLY - INCLUDES:	1
105	5092041	TOP END BEARING	1
106	3391191	ARMATURE VENT FAN	1
107	3391041	STATOR FRAME ASSEMBLY WITH MAGNETS	1
108	—	10-32 X 1/2 PAN HEAD SLOTTED SCREW, BRASS	4
109	3391011	TOP END BRACKET WITH BRUSH BOARD ASSEMBLY - INCLUDES:	1
	3391001	TOP END BRACKET ONLY	1
110	3391021	BRUSH BOARD ASSEMBLY - INCLUDES:	1
111	3391081	CARBON BRUSH	4
112	2797571	CARBON BRUSH SPRING	4
113	3391071	STRAIN RELIEF	2
114	3391211	POSITIVE LEAD	1
115	3391181	GEAR BOX ASSEMBLY - INCLUDES:	1
	3391101	GEAR BOX - HOUSING ONLY	1
116	3391121	GEAR SHAFT - INCLUDES:	1
117	2792681	1/4 X 1/4 X 1 MOTOR KEY	1
118	3391171	SNAP RING	1
119	3391161	OIL SEAL - SMALL	1
120	3391151	END CAP	1
121	3391141	"O" RING	1
122	3391131	BOTTOM BEARING - LARGE	1
123	3391111	TOP BEARING - SMALL	1
124	3391091	OIL SEAL - LARGE	1
125	2797591	1 13/32 I.D. X 1 7/8 O.D. 2 WAVE SPRING WASHER	1
126	3391051	BOTTOM END BEARING	1

SIDE SKIRT ASSEMBLY

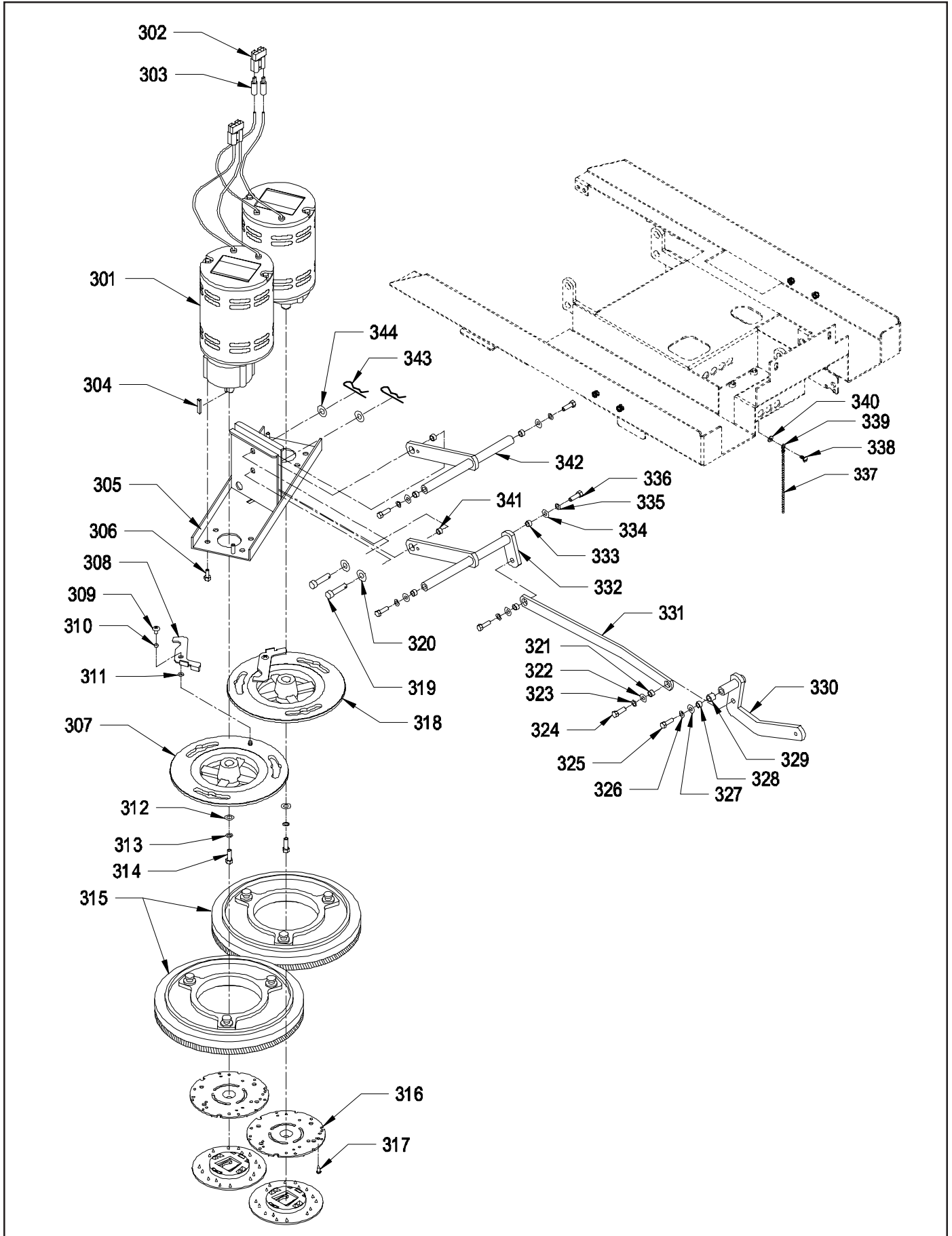


<u>ITEM</u>	<u>PART NO.</u>	<u>DESCRIPTION</u>	<u>QTY.</u>
201	9120301	1/8 X 1/4 RIVET BLIND - DOME HEAD	2
202	2392131	SPRING CLIP	1
203	2694411	DECAL KIT - RECOVERY TANK DRAIN	1
204	2490153	SKIRT MOUNT BRACKET	1
205	9121950	3/8 X 1 5/8 CLEVIS PIN WITH RETAINER	2
206	2499019	LEFT SKIRT ASSEMBLY - INCLUDES:	1
	2490223	LEFT SKIRT	1
207	5091701	RETAINING RING	2
208	2490311	AXLE -BUMPER WHEEL	1
209	2790281	3" BUMPER WHEEL	1
210	9120540	10-24 X 1/2 FLAT HEAD PHILLIPS MACHINE SCREW	6
211	9120410	10-24 X 1/2 ROUND HEAD PHILLIPS MACHINE SCREW	3
212	2490261	LEFT SKIRT STRAP	1
213	2490241	LEFT WIPER	1
214	9121640	5/16-18 X 3/4 HEX BOLT	4
215	9121520	5/16 SPLIT LOCK WASHER	4
216	2499029	RIGHT SKIRT ASSEMBLY - INCLUDES:	1
	2490233	RIGHT SKIRT	1
217	2490251	RIGHT WIPER	1
218	2490271	RIGHT SKIRT STRAP	1
219	5091701	RETAINING RING	2
220	2490311	AXLE -BUMPER WHEEL	1
221	2790281	3" BUMPER WHEEL	1
210	9120540	10-24 X 1/2 FLAT HEAD PHILLIPS MACHINE SCREW	5
211	9120410	10-24 X 1/2 ROUND HEAD PHILLIPS MACHINE SCREW	4

BRUSH MOTOR ASSEMBLY

ITEM	PART NO.	DESCRIPTION	QTY.
301	2499049	GEAR MOTOR - 3/4HP - 24 VOLT DC ASSEMBLY - INCLUDES:	2
	2393001	GEAR MOTOR - 3/4HP - 24 VOLT DC	2
302	2392091	CHARGER PLUG - RED 24 VOLT	2
303	4490721	CONTACT PINS - ANDERSON	4
304	2792681	1/4 SQUARE X 1 LONG KEY - STEEL	2
305	2490173	BRUSH MOTOR MOUNT	1
306	9122220	3/8-16 X 3/4 HEX BOLT	8
307	2792499	LEFT BRUSH DRIVE PLATE ASSEMBLY - INCLUDES:	1
	2790202	BRUSH DRIVE PLATE	2
308	2790211	BRUSH PLATE LATCH	2
309	9121090	1/4-20 X 1/2 TRUSS HEAD PHILLIPS MACHINE SCREW	2
310	2791281	BUSHING SPACER	2
311	9122120	3/8 I.D. X 5/8 O.D. X .031 THICK 1 WAVE SPRING WASHER (3/8)	2
312	9121400	3/8 I.D. X 7/8 O.D. X .064/.104 THICK WROUGHT WASHER (5/16)	2
313	9121520	5/16 SPLIT LOCK WASHER	2
314	9121680	5/16-18 X 1 HEX BOLT	2
315	2694491	13" PAD DRIVER - SEE ACCESSORY PAGE FOR TYPES OF BRUSHES	2
316	5990731	SPRING CLIP PAD HOLDER SET - INCLUDES:	2
317	9120790	10 X 5/8 PAN HEAD SHEET METAL SCREW	3
318	2792489	RIGHT BRUSH DRIVE PLATE ASSEMBLY - INCLUDES:	1
	2790202	BRUSH DRIVE PLATE	2
308	2790211	BRUSH PLATE LATCH	2
309	9121090	1/4-20 X 1/2 TRUSS HEAD PHILLIPS MACHINE SCREW	2
310	2791281	BUSHING SPACER	2
311	9122120	3/8 I.D. X 5/8 O.D. X .031 THICK 1 WAVE SPRING WASHER (3/8)	2
312	9121400	3/8 I.D. X 7/8 O.D. X .064/.104 THICK WROUGHT WASHER (5/16)	2
313	9121520	5/16 SPLIT LOCK WASHER	2
314	9121680	5/16-18 X 1 HEX BOLT	2
319	9122561	1/2 X 1 1/4 CLEVIS PIN	2
320	9122450	17/32 I.D. X 1 1/16 O.D. X .074/.121 THICK SAE FLAT WASHER (1/2)	2
321	2391461	BUSHING SPACER	2
322	9122450	17/32 I.D. X 1 1/16 O.D. X .074/.121 THICK SAE FLAT WASHER (1/2)	2
323	9122420	1/2 SPLIT LOCK WASHER	2
324	9122530	1/2-13 X 1 HEX BOLT	2
325	9122550	1/2-13 X 1 1/2 HEX BOLT	1
326	9122420	1/2 SPLIT LOCK WASHER	1
327	9122450	17/32 I.D. X 1 1/16 O.D. X .074/.121 THICK SAE FLAT WASHER (1/2)	1
328	2790751	BUSHING SPACER	1
329	4492791	PIVOT BUSHING	1
330	2490211	BRUSH LIFT ARM - REAR	1
331	2490201	BRUSH LIFT BAR	1
332	2490181	BRUSH LIFT ARM - FRONT	1
333	2790751	BUSHING SPACER	4
334	9122450	17/32 I.D. X 1 1/16 O.D. X .074/.121 THICK SAE FLAT WASHER (1/2)	4
335	9122420	1/2 SPLIT LOCK WASHER	4
336	9122550	1/2-13 X 1 1/2 HEX BOLT	4
337	6491860	ROUND BEAD CHAIN	6"
338	9120510	10-24 X 1/2 TRUSS HEAD PHILLIPS MACHINE SCREW	1
339	6491871	END COUPLING ROUND BEAD CHAIN	1
340	9120330	#10 EXTERNAL STAR LOCK WASHER	1
341	2790751	BUSHING SPACER	2
342	2490191	BRUSH LIFT ARM GUIDE	1
343	9120312	1/8 X 1 HUMPED COTTER PIN	2
344	9122450	17/32 I.D. X 1 1/16 O.D. X .074/.121 THICK SAE FLAT WASHER (1/2)	2

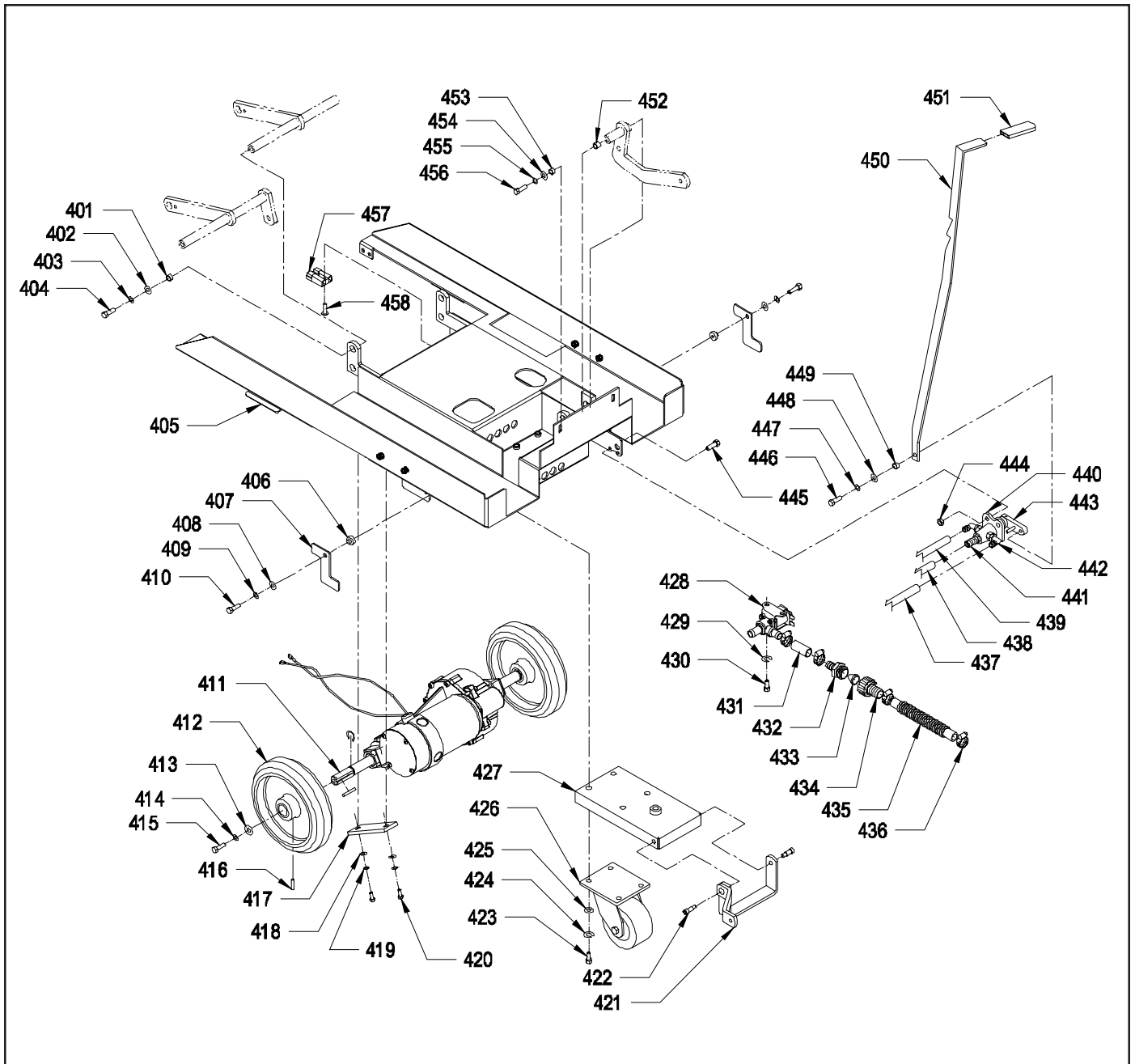
BRUSH MOTOR ASSEMBLY



TRANSAXLE AND FRAME ASSEMBLY

ITEM	PART NO.	DESCRIPTION	QTY
401	2790751	BUSHING SPACER	4
402	9122450	17/32 I.D. X 1 1/16 O.D. X .074/.121 THICK SAE FLAT WASHER (1/2)	4
403	9122420	1/2 SPLIT LOCK WASHER	4
404	9122550	1/2-13 X 1 1/2 HEX BOLT	4
405	2491123	FRAME	1
406	2691771	PIN, SKIRT LATCH	2
407	2490651	SKIRT LATCH	2
408	9120930	9/32 I.D. X 5/8 O.D. X .051/.080 THICK SAE FLAT WASHER (1/4)	2
409	9120880	1/4 SPLIT LOCK WASHER	2
410	9121250	1/4-20 X 3/4 HEX BOLT WITH NYLON PATCH	2
411	2491109	TRANSAXLE WITH ANTI-SEIZE - INCLUDES:	1
	2690581	1/4 SPADE MALE TERMINAL 10-12 YELLOW	2
	5293151	RETAINING RING	2
	2491131	MOTOR	1
	9120825	3/16 SQUARE X 7/8 LONG KEY - STEEL	2
	2491151	RUBBER GROMMET	2
	2491161	SNAP RINGS	2
	2491171	BEVEL GEAR	4
	2491181	MAGNET AND HOUSING	1
	2491201	BRUSH	4
	2491211	BRUSH HOLDER	4
	9997641	ANTI-SEIZE LUBRICANT	1
412	2395501	DRIVE WHEEL - 8" X 2"	2
413	9121980	7/16 I.D. X 1 O.D. X .075/.080 THICK SAE FLAT WASHER (3/8)	2
414	9122100	3/8 SPLIT LOCK WASHER	2
415	9122220	3/8-16 X 3/4 HEX BOLT	2
416	9121380	5/16-18 X 3/8 SET SCREW - KNURL POINT	2
417	2692121	AXLE CLAMP	2
418	9120930	9/32 I.D. X 5/8 O.D. X .051/.080 THICK SAE FLAT WASHER (1/4)	4
419	9120880	1/4 SPLIT LOCK WASHER	4
420	9121250	1/4-20 X 3/4 HEX BOLT WITH NYLON PATCH	4
421	2490751	SQUEEGEE LIFT	1
422	9121500	5/16 X 1/2 SOCKET HEAD SHOULDER BOLT (1/4-20)	2
423	9122260	3/8-16 X 1 HEX BOLT	4
424	9122100	3/8 SPLIT LOCK WASHER	4
425	9121980	7/16 I.D. X 1 O.D. X .075/.080 THICK SAE FLAT WASHER (3/8)	4
426	6492061	RED 4 INCH CASTER	1
	4490391	REPLACEMENT RED CASTER - WHEEL ONLY	1
427	2490741	SQUEEGEE MOUNT BRACKET	1
428	2397181	SOLUTION SOLENOID VALVE	1
429	9120880	1/4 SPLIT LOCK WASHER	2
430	9121090	1/4-20 X 1/2 TRUSS HEAD PHILLIPS MACHINE SCREW	2
431	2491017	1/2 I.D. X 3/4 O.D. X 2" LONG VINYL TUBING	1
432	2490981	FITTING 1/2 HOSE X MALE GHT	1
433	2690241	FILTER SCREEN	1
434	2690251	FILTER FITTING HOSE BARB AND COLLAR	1
435	2692551	CONVOLUTED TUBING 6.5"	1
436	4892651	HOSE CLAMP - 1/4" TO 13/16"	4
437	2490847	3/8 I.D. X 43.5" LONG VINYL HOSE	1
438	2491027	1/2 I.D. X 3/4 O.D. X 18" LONG VINYL TUBING	1
439	2490867	3/8 I.D. X 48.5" LONG VINYL HOSE	1
440	2690909	SOLUTION VALVE ASSEMBLY - INCLUDES:	1
	2791401	SOLUTION VALVE	1
441	2495161	FITTING - 1/2 HOSE BARB X 1/4 MNPT	1
442	2490601	90 DEGREE HOSE BARB 3/8 - 1/4 MNPT	2
443	2791416	VALVE LEVER	1

TRANSAXLE AND FRAME ASSEMBLY

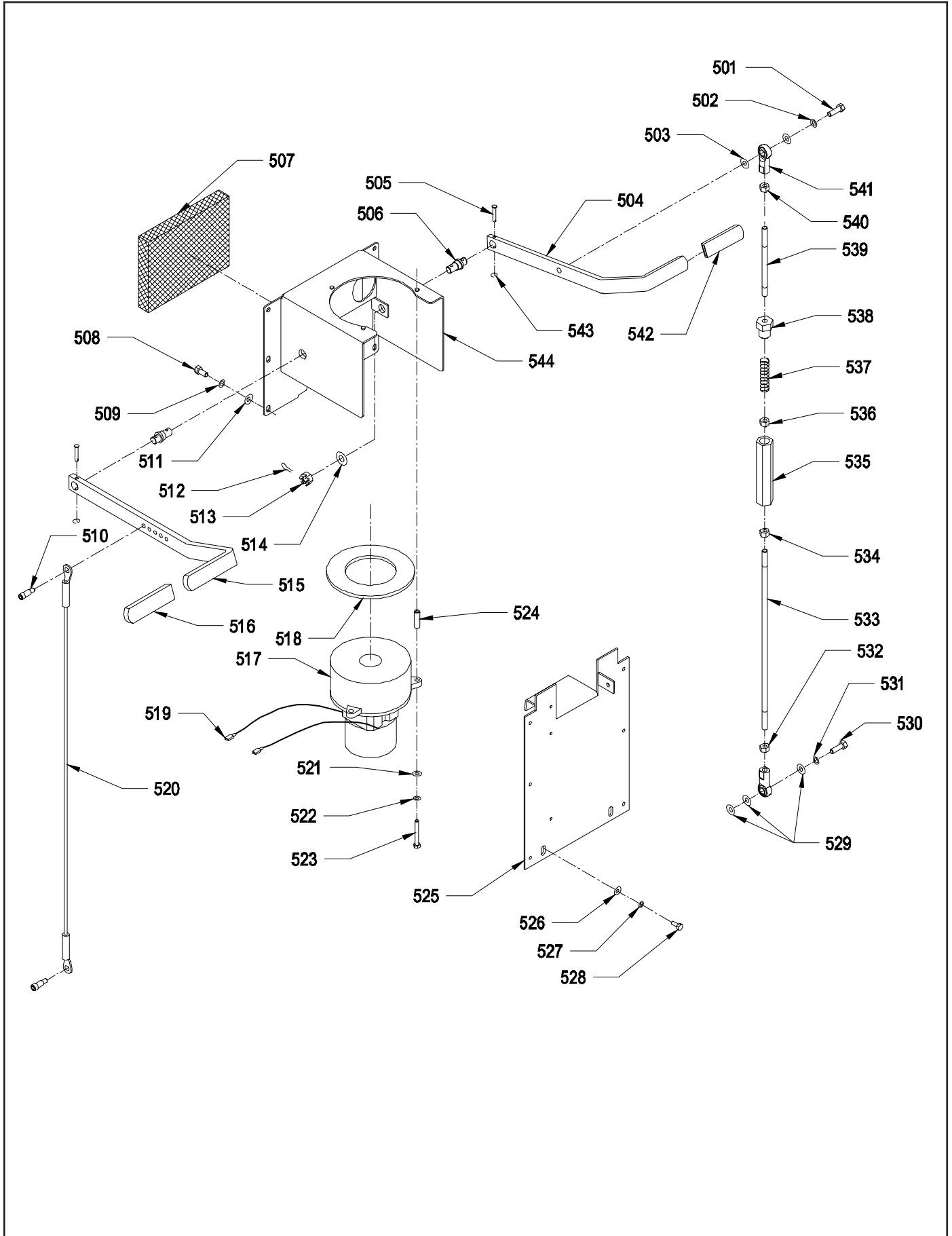


444	9120900	1/4-20 HEX NUT WITH NY-LOK INSERT	2
445	9121250	1/4-20 X 3/4 HEX BOLT WITH NYLON PATCH	2
446	9121250	1/4-20 X 3/4 HEX BOLT WITH NYLON PATCH	1
447	9120880	1/4 SPLIT LOCK WASHER	1
448	9120930	9/32 I.D. X 5/8 O.D. X .051/.080 THICK SAE FLAT WASHER (1/4)	1
449	2791281	BUSHING SPACER	1
450	2690283	SOLUTION VALVE LEVER	1
451	2391181	GRIP - VALVE LEVER	1
452	4492791	PIVOT BUSHING	1
453	2790751	BUSHING SPACER	1
454	9122450	17/32 I.D. X 1 1/16 O.D. X .074/.121 THICK SAE FLAT WASHER (1/2)	1
455	9122420	1/2 SPLIT LOCK WASHER	1
456	9122550	1/2-13 X 1 1/2 HEX BOLT	1
457	2391901	CHARGER PLUG - RED - 24VOLTS	2
458	9120090	6-32 X 7/8 PAN HEAD PHILLIPS MACHINE SCREW	4

LIFT LEVER ASSEMBLY

ITEM	PART NO.	DESCRIPTION	QTY.
501	9122260	3/8-16 X 1 HEX BOLT	1
502	9122100	3/8 SPLIT LOCK WASHER	1
503	9121980	7/16 I.D. X 1 O.D. X .075/.080 THICK SAE FLAT WASHER (3/8)	2
504	2691373	BRUSH LIFT HANDLE	1
505	2391951	3/16 X 1 CLEVIS PIN	2
506	2490661	PIVOT STUD	2
507	2691041	FILTER MUFFLER	1
508	9121210	1/4-20 X 5/8 HEX BOLT	6
509	9120880	1/4 SPLIT LOCK WASHER	6
510	9122020	3/8 X 3/8 SOCKET HEAD SHOULDER BOLT	2
511	9120930	9/32 I.D. X 5/8 O.D. X .051/.080 THICK SAE FLAT WASHER (1/4)	6
512	9120312	3/8 X 1 HUMPED COTTER PIN	2
513	9122675	1/2-13 HEX SLOTTED NUT	2
514	9122450	17/32 I.D. X 1 1/16 O.D. X .074/.121 THICK SAE FLAT WASHER (1/2)	2
515	2691643	SQUEEGEE LIFT HANDLE	1
516	2690981	HANDLE GRIP	1
517	2499059	VAC MOTOR ASSEMBLY - INCLUDES:	1
	2395571	3 STAGE VAC MOTOR - 24VOLT	1
518	2490561	GASKET - VAC MOTOR	1
519	5490171	FULLY INSULATED MALE TERMINAL 14-16 GAGE	2
	2397571	CARBON BRUSH	2
520	2694261	LIFT CABLE - SQUEEGEE	1
521	9120930	9/32 I.D. X 5/8 O.D. X .051/.080 THICK SAE FLAT WASHER (1/4)	3
522	9120880	1/4 SPLIT LOCK WASHER	3
523	9121150	1/4-20 X 2 1/4 ROUND HEAD PHILLIPS MACHINE SCREW	3
524	2490691	SPACER - VAC MOUNTING	3
525	2490283	RESISTOR MOUNT PLATE	1
526	9121390	11/32 I.D. X 11/16 O.D. X .051/.080 THICK SAE FLAT WASHER (5/16)	2
527	9121520	5/16 SPLIT LOCK WASHER	2
528	9121640	5/16-18 X 3/4 HEX BOLT	2
529	9121980	7/16 I.D. X 1 O.D. X .075/.080 THICK SAE FLAT WASHER (3/8)	3
530	9122300	3/8-16 X 1 1/4 HEX BOLT	1
531	9122100	3/8 SPLIT LOCK WASHER	1
	2699079	COMPLETE BRUSH LIFT ROD ASSEMBLY - INCLUDES:	1
532	9122010	3/8-24 HEX NUT	1
533	2691801	BRUSH LIFT ROD - MEDIUM	1
534	9122000	3/8-16 HEX NUT	1
535	2691821	SPRING HOUSING - BRUSH LIFT	1
536	9122140	3/8-16 HEX NUT WITH NY-LOK INSERT	1
537	2691841	BRUSH PRESSURE SPRING	1
538	2691831	RETAINER - SPRING HOUSING	1
539	2691811	BRUSH LIFT ROD - SHORT	1
540	9122010	3/8-24 HEX NUT	1
541	4490531	3/8 ROD END	2
542	2690981	LIFT HANDLE GRIP	1
543	2392561	CIRCLE COTTER - #CC-7	2
544	2490293	VAC MOTOR AND LIFT ARM MOUNT	1

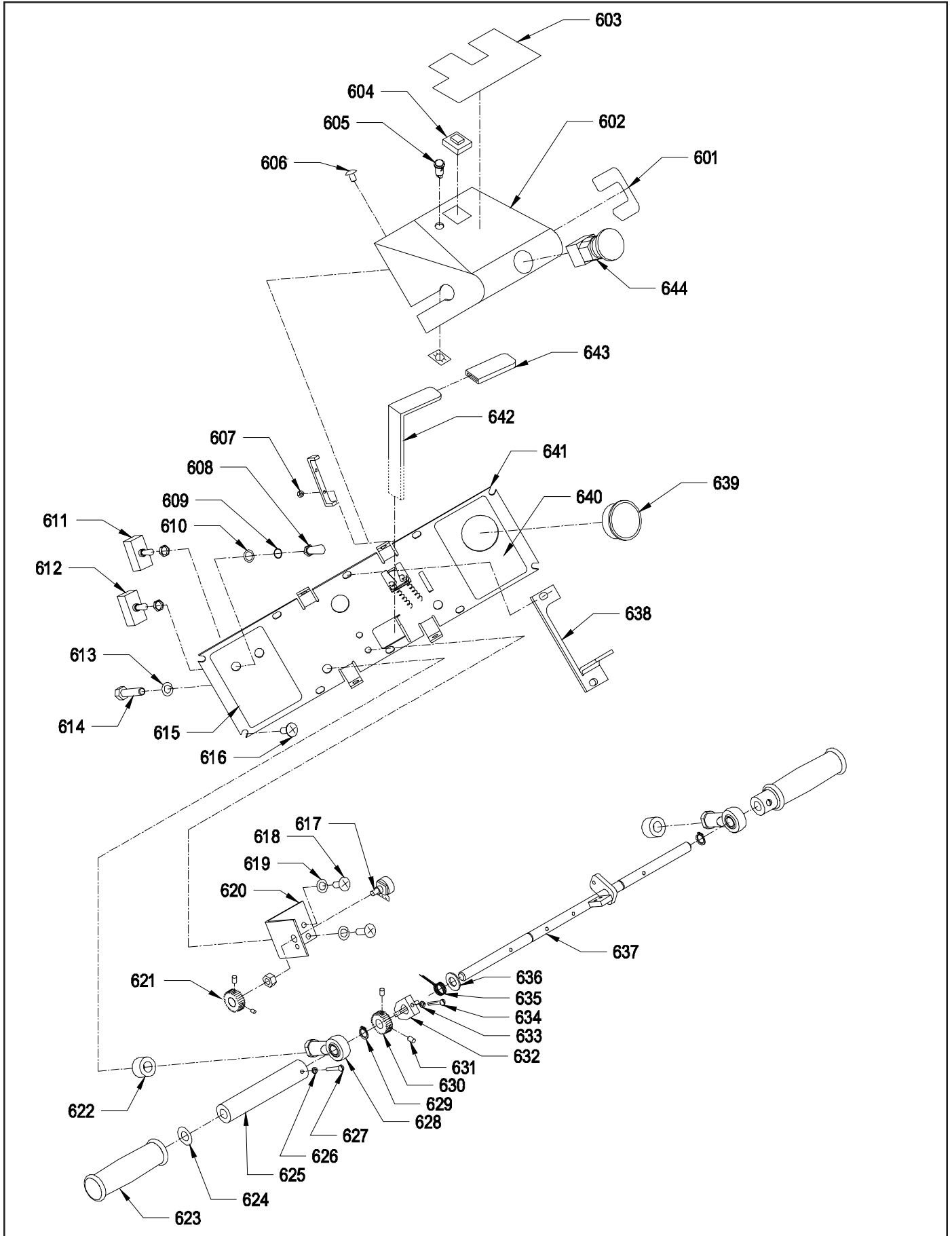
LIFT LEVER ASSEMBLY



OPERATOR CONTROL PANEL

ITEM	PART NO.	DESCRIPTION	QTY.
601	2694351	SILVER MINII DECAL KIT - SOLUTION CONTROL	1
602	2692331	CONTROL PANEL COVER	1
	2692681	CONTROL PANEL COVER - EMERGENCY STOP - OPTIONAL	1
603	2694351	SILVER MINI DECAL KIT - MASTER SWITCH	1
604	2690691	MASTER SWITCH	1
	4890781	PUSH BUTTON SWITCH BOOT	1
605	2490481	LIGHT - INDICATOR - GREEN	1
606	9121090	1/4-20 X 1/2 TRUSS HEAD PHILLIPS MACHINE SCREW	4
607	9120020	6-32 HEX NUT WITH STAR LOCK WASHER	2
608	0693141	RUBBER SWITCH BOOT	2
609	0691851	1/2" INTERNAL STAR LOCK WASHER	2
610	9122465	.516 I.D. X .813 O.D. X .027/.030 THICK FLAT WASHER	2
611	2792041	TOGGLE SWITCH - VACUUM	1
612	4491101	TOGGLE SWITCH - MOTOR	1
613	9122420	1/2 SPLIT LOCK WASHER	2
614	9122710	1/2-20 X 1 3/4 HEX BOLT	2
615	2694361	SILVER DECAL KIT - CONTROL PANEL - LEFT	1
616	9120990	1/4-20 X 3/8 TRUSS HEAD PHILLIPS MACHINE SCREW	10
617	2694131	POTENTIOMETER	1
618	9121090	1/4-20 X 1/2 TRUSS HEAD PHILLIPS MACHINE SCREW	2
619	9120970	1/4 EXTERNAL STAR LOCK WASHER	2
620	2691861	POTENTIOMETER BRACKET	1
621	2691941	DRIVEN GEAR - POTENTIOMETER	1
622	2691891	HANDLE BAR SPACER	2
623	3392901	HANDLE GRIP	2
624	9121400	3/8 I.D. X 7/8 O.D. X .064/.104 THICK WROUGHT WASHER (5/16)	2
625	2691871	HANDLE GRIP BASE	2
626	9120200	8 SPLIT LOCK WASHER	2
627	9120270	8-32 X 7/8 ROUND HEAD PHILLIPS MACHINE SCREW	2
628	2391941	BALL JOINT	2
629	5091701	RETAINING RING	2
630	2691931	DRIVE GEAR - HANDLE	1
631	9120170	8-32 X 3/16 SET SCREW - KNURL POINT - STEEL	4
632	2491241	TORSION SPRING DRIVER	1
633	9120200	#8 SPLIT LOCK WASHER	1
634	9120260	8-32 X 3/4 ROUND HEAD SCREW	1
635	3392661	TORSION SPRING	1
636	9122450	17/32 I.D. X 1 1/16 O.D. X .074/.121 THICK SAE FLAT WASHER (1/2)	1
637	2691911	HANDLE BAR	1
638	2491251	TORSION SPRING BRACKET	1
639	2391391	BATTERY METER	1
640	2694361	SILVER DECAL KIT - BATTERY METER	1
641	2694043	CONTROL PLATE	1
642	2690283	VALVE LEVER	1
643	2391181	GRIP - VALVE LEVER	1
644	7691291	EMERGENCY STOP - OPTIONAL	1
	7691301	EMERGENCY STOP BLOCK - OPTIONAL	1

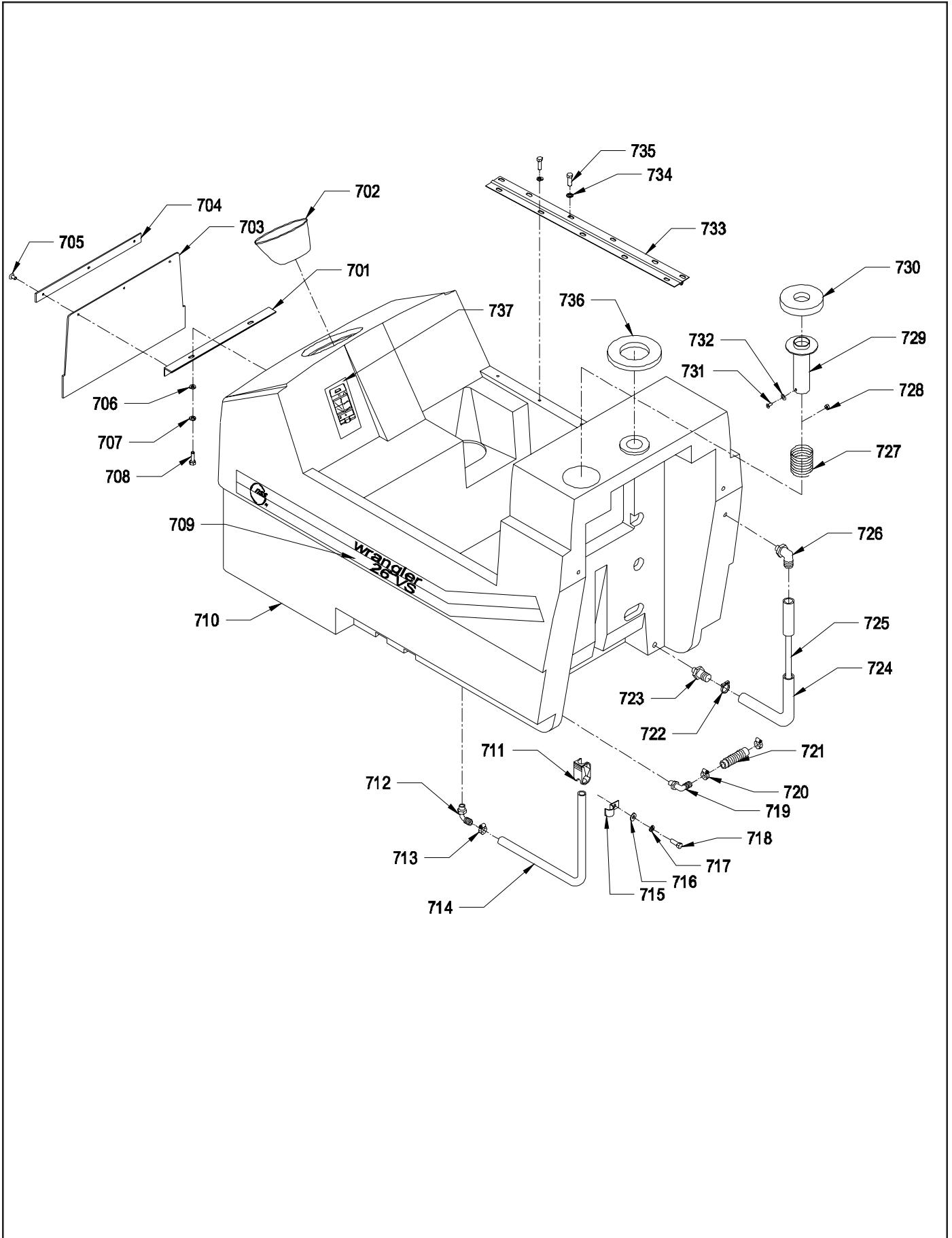
OPERATOR CONTROL PANEL



SOLUTION TANK ASSEMBLY

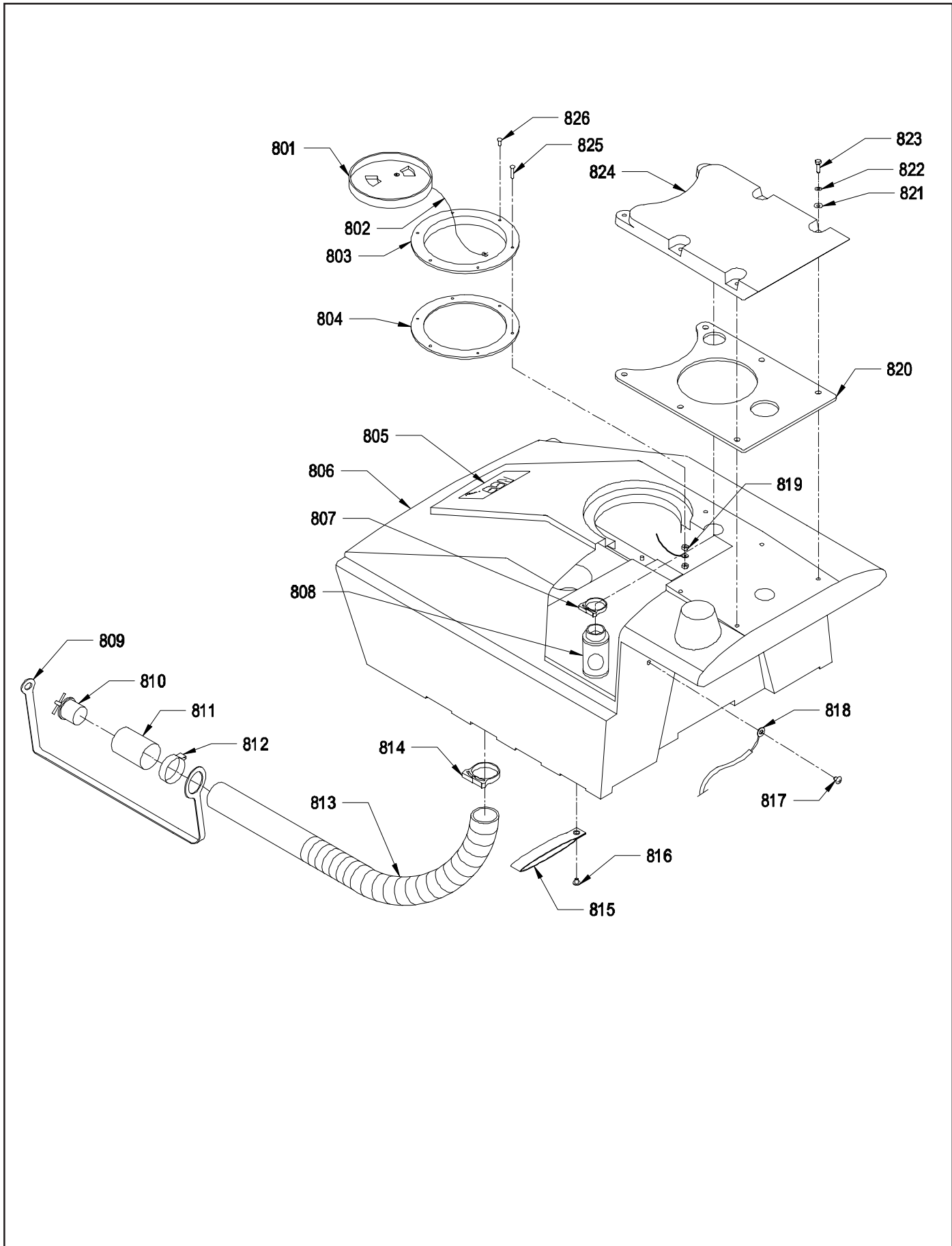
<u>ITEM</u>	<u>PART NO</u>	<u>DESCRIPTION</u>	<u>QTY.</u>
701	2490361	FRONT COVET BRACKET	1
702	2499039	FILTER ASSEMBLY - SOLUTION TANK - INCLUDES:	1
	2490541	FILTER BAG SCREEN	1
	2490551	FILTER BAG FRAME	1
703	2490351	FRONT COVER	1
704	2490341	FRONT COVER RETAINER	1
705	9120550	10-24 X 5/8 FLAT HEAD PHILLIPS MACHINE SCREW	3
706	9120930	9/32 I.D. X 5/8 O.D. X .051/.080 THICK SAE FLAT WASHER (1/4)	2
707	9120880	1/4 SPLIT LOCK WASHER	2
708	9121170	1/4-20 X 1/2 HEX BOLT	2
709	6493061	COLOR DECAL KIT - SIDE LABEL	1
710	2490011	SOLUTION TANK	1
711	3390661	TUBING CONTROL VALVE	1
712	2691961	1/2 HOSE BARB 90 DEGREE X 3/8 MPT PLASTIC	1
713	2392481	HOSE CLAMP - 7/32" TO 5/8" DIAMETER	1
714	2490847	VINYL HOSE - 3/8 I.D. X 43.5" LONG	1
715	2690971	HOSE CLIP	1
716	9120930	9/32 I.D. X 5/8 O.D. X .051/.080 THICK SAE FLAT WASHER (1/4)	1
717	9120880	1/4 SPLIT LOCK WASHER	1
718	9121250	1/4-20 X 3/4 HEX BOLT WITH NYLON PATCH	1
719	2490791	FITTING ELL - 3/8 BARB X 3/8 MNPT	1
720	4892651	HOSE CLAMP - 1/4" TO 13/16" DIAMETER	4
721	2692551	CONVOLUTED TUBING 6.5"	1
722	2392141	HOSE CLAMP - 11/16" TO 1 1/4" DIAMETER	1
723	2691731	SOLUTION TANK DRAIN FITTING	1
724	2490857	VINYL HOSE - 3/4 I.D. X 21" LONG	1
725	2690811	SOLUTION GAUGE	1
726	2391771	90 DEGREE HOSE BARB 3/4 I.D. X 1/2 NPT	1
727	2391581	SPRING - TUBE ADAPTOR	1
728	9120360	10-24 HEX NUT WITH STAR LOCK WASHER	1
739	2690851	TUBE ADAPTOR	1
730	2690861	GASKET - TUBE ADAPTOR	1
731	9120380	10-24 X 3/8 ROUND HEAD PHILLIPS MACHINE SCREW	1
732	9120320	10 SPLIT LOCK WASHER	1
733	2490371	RECOVERY TANK HINGE	1
734	9120880	1/4 SPLIT LOCK WASHER	11
735	9121170	1/4-20 X 1/2 HEX BOLT	11
736	2391601	GASKET - VAC TUBE	1
737	2694371	COLOR DECAL KIT - BATTERY HOOK UP	1

SOLUTION TANK ASSEMBLY



RECOVERY TANK ASSEMBLY

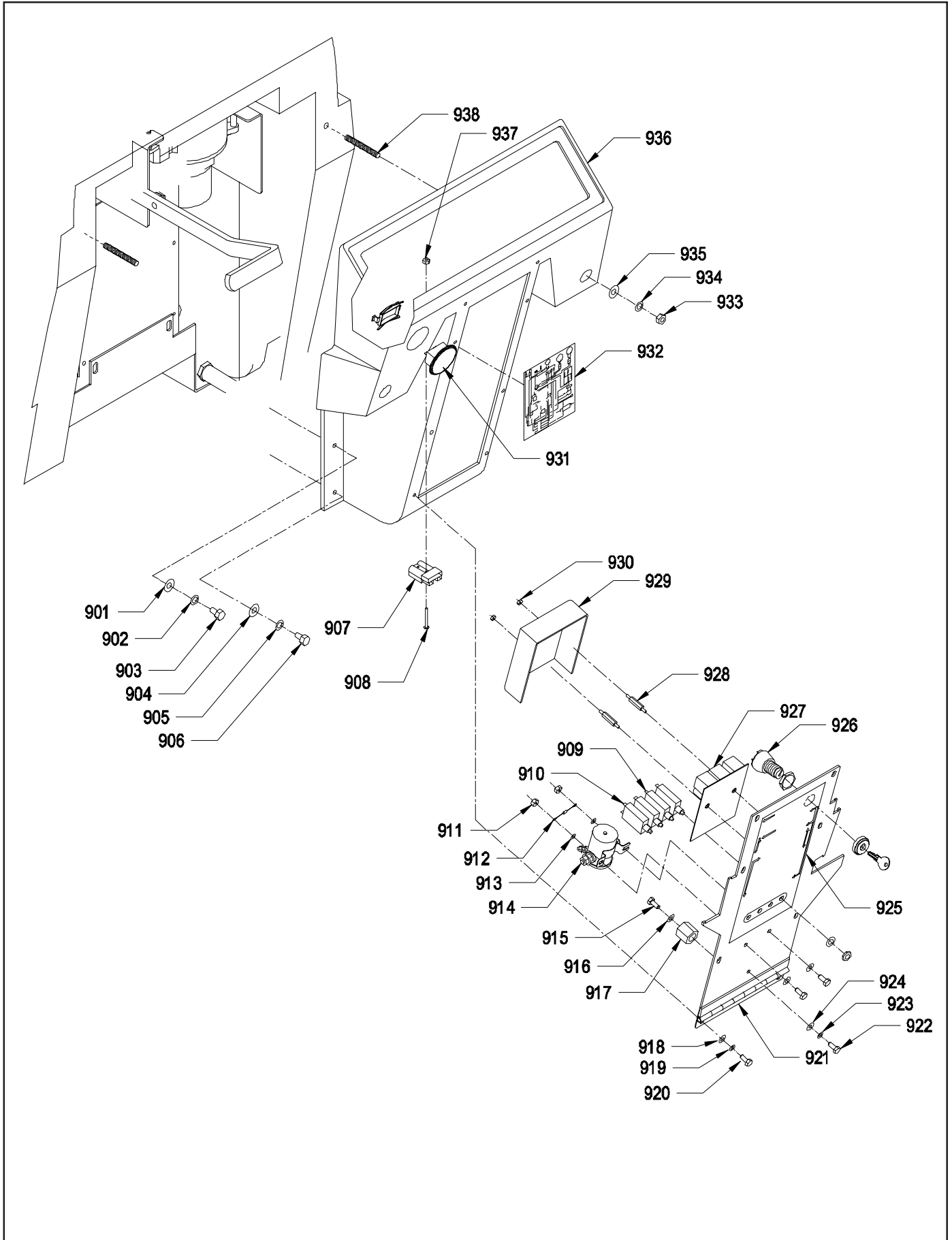
ITEM	PART NO.	DESCRIPTION	QTY.
	2690889	RECOVERY TANK LID AND GASKET ASSEMBLY - INCLUDES:	1
	2690881	RECOVERY TANK LID ASSEMBLY - INCLUDES:	1
801	2690911	CLEAR TANK LID	1
802	2690931	LID RETAINING CHAIN	1
803	2690921	LID MOUNTING RING	1
804	2690891	RING GASKET	1
805	2694371	COLOR DECAL KIT - SOLUTION FILL	1
806	2490021	RECOVERY TANK	1
807	4894081	HOSE CLAMP - 1.593" TO 1.812" DIAMETER	1
808	2391541	FLOAT SCREEN ASSEMBLY	1
	2699149	DRAIN HOSE ASSEMBLY - INCLUDES:	1
809	2791881	PLUG STRAP	1
810	2795621	DRAIN PLUG	1
811	2391661	HOSE TUBE	1
812	2392161	CRIMP-ON HOSE CLAMP	2
813	2691121	DRAIN HOSE - RECOVERY TANK	1
814	4495441	NYLON HOSE CLAMP 11 9/16" TO 2 1/2" DIAMETER	1
815	4896141	STRAP - TANK SUPPORT	1
816	9121090	1/4-20 X 1/2 TRUSS HEAD PHILLIPS MACHINE SCREW	1
817	9120990	1/4-20 X 3/8 TRUSS HEAD PHILLIPS MACHINE SCREW	2
818	2690961	RECOVERY TANK HOLDING STRAP	1
819	9120360	10-24 HEX NUT WITH STAR LOCK WASHER	2
820	2490381	GASKET - TOP VAC BOX	1
821	9120930	9/32 I.D. X 5/8 O.D. X .051/.080 THICK SAE FLAT WASHER (1/4)	6
822	9120880	1/4 SPLIT LOCK WASHER	6
823	9121060	1/4-20 X 1 1/4 HEX BOLT	6
824	2490321	TOP VAC BOX	1
825	9120480	10-24 X 1 3/4 ROUND HEAD PHILLIPS MACHINE SCREW	1
826	9120790	10 X 5/8 PAN HEAD PHILLIPS SHEET METAL SCREW	5



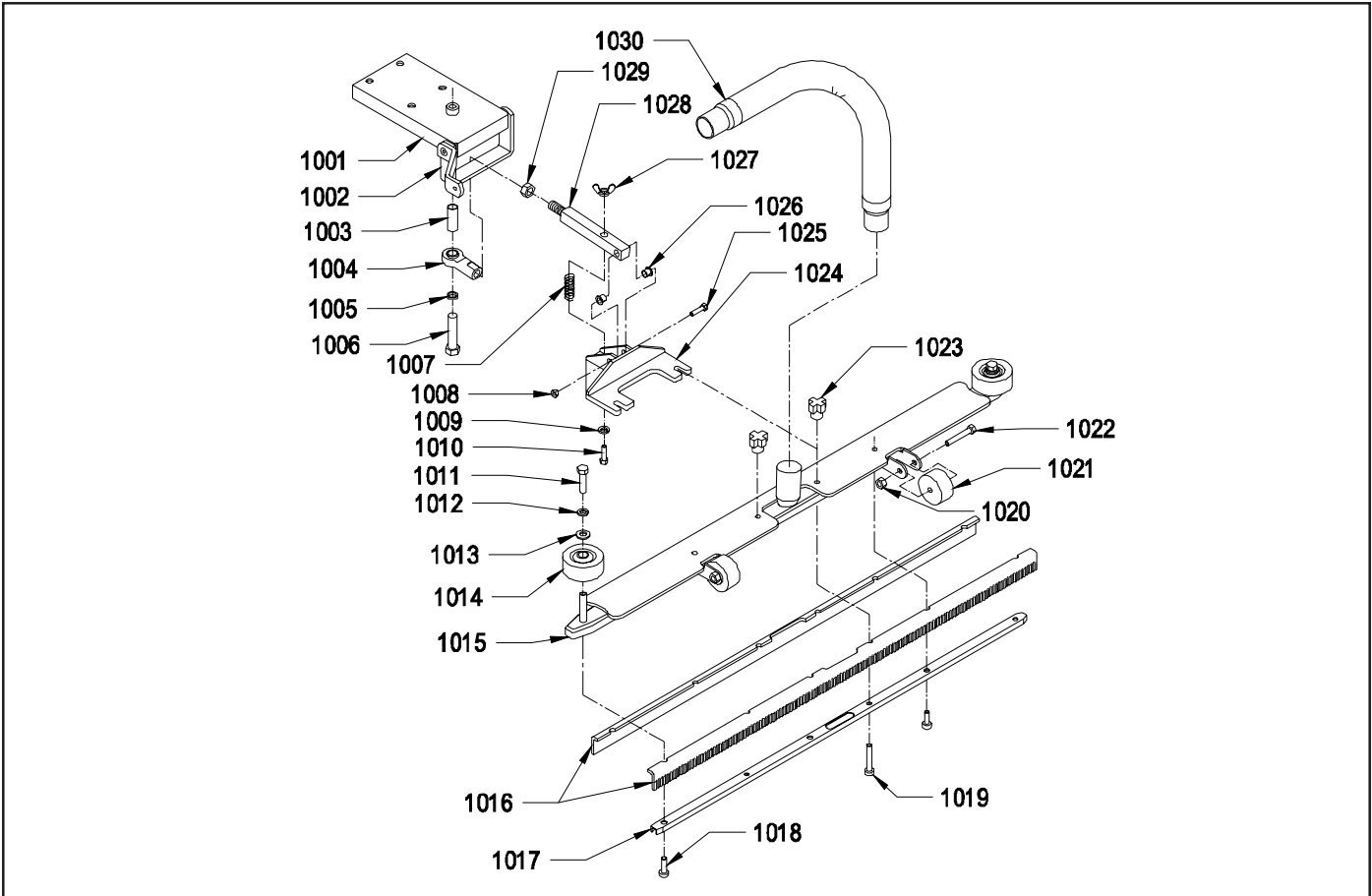
REAR COVER PANEL ASSEMBLY

ITEM	PART NO.	DESCRIPTION	QTY.
901	9120930	9/32 I.D. X 5/8 O.D. X .051/.080 THICK SAE FLAT WASHER (1/4)	5
902	9120880	1/4 SPLIT LOCK WASHER	5
903	9121250	1/4-20 X 3/4 HEX BOLT	2
904	9120930	9/32 I.D. X 5/8 O.D. X .051/.080 THICK SAE FLAT WASHER (1/4)	3
905	9120880	1/4 SPLIT LOCK WASHER	3
906	9121210	1/4-20 X 5/8 HEX BOLT	3
907	2391901	CHARGER PLUG - RED - 24VOLT	1
908	9120100	6-32 X 1 ROUND HEAD PHILLIPS MACHINE SCREW	2
909	2694121	25 AMP CIRCUIT BREAKER	3
910	2490891	15 AMP CIRCUIT BREAKER	1
911	9120900	1/4-20 HEX NUT WITH NY-LOK INSERT	2
912	2792241	SILICON RECTIFIER	1
913	9120930	9/32 I.D. X 5/8 O.D. X .051/.080 THICK SAE FLAT WASHER (1/4)	2
914	2391351	SOLENOID - 24VOLT	1
915	9121210	1/4-20 X 5/8 HEX BOLT	1
916	9120970	1/4 EXTERNAL STAR LOCK WASHER	1
917	4490561	INSULATED STANDOFF	1
918	9120930	9/32 I.D. X 5/8 O.D. X .051/.080 THICK SAE FLAT WASHER (1/4)	8
919	9120880	1/4 SPLIT LOCK WASHER	8
920	9121170	1/4-20 X 1/2 HEX BOLT	8
921	2490773	REAR COVER PANEL	1
922	9121210	1/4-20 X 5/8 HEX BOLT	3
923	9120880	1/4 SPLIT LOCK WASHER	1
924	9120930	9/32 I.D. X 5/8 O.D. X .051/.080 THICK SAE FLAT WASHER (1/4)	3
925	2694371	COLOR DECAL KIT - REAR COVER PANEL	1
926	2795711	KEY SWITCH AND KEY - OPTIONAL	1
	2796131	REPLACEMENT KEY	1
927	2490821	SPEED CONTROL - CURTIS - 24VOLT	1
928	2694031	COVER STANDOFF - CURTIS	2
929	2694021	SPEED CONTROL COVER - CURTIS	1
930	9120190	8-32 HEX NUT WITH STAR LOCK WASHER	2
931	2397361	HOUR METER - INCLUDES THE CLIP	1
932	2694371	COLOR DECAL KIT - WIRING DIAGRAM	1
933	9121990	3/8-16 HEX JAM NUT	2
934	9122100	3/8 SPLIT LOCK WASHER	2
935	9121980	7/16 I.D. X 1 O.D. X .075/.080 THICK SAE FLAT WASHER (3/8)	2
936	2692691	CONTROL PANEL	1
937	9120020	6-32 HEX NUT WITH STAR LOCK WASHER	2
938	9122353	3/8-16 X 3 SET SCREW	2

REAR COVER PANEL ASSEMBLY

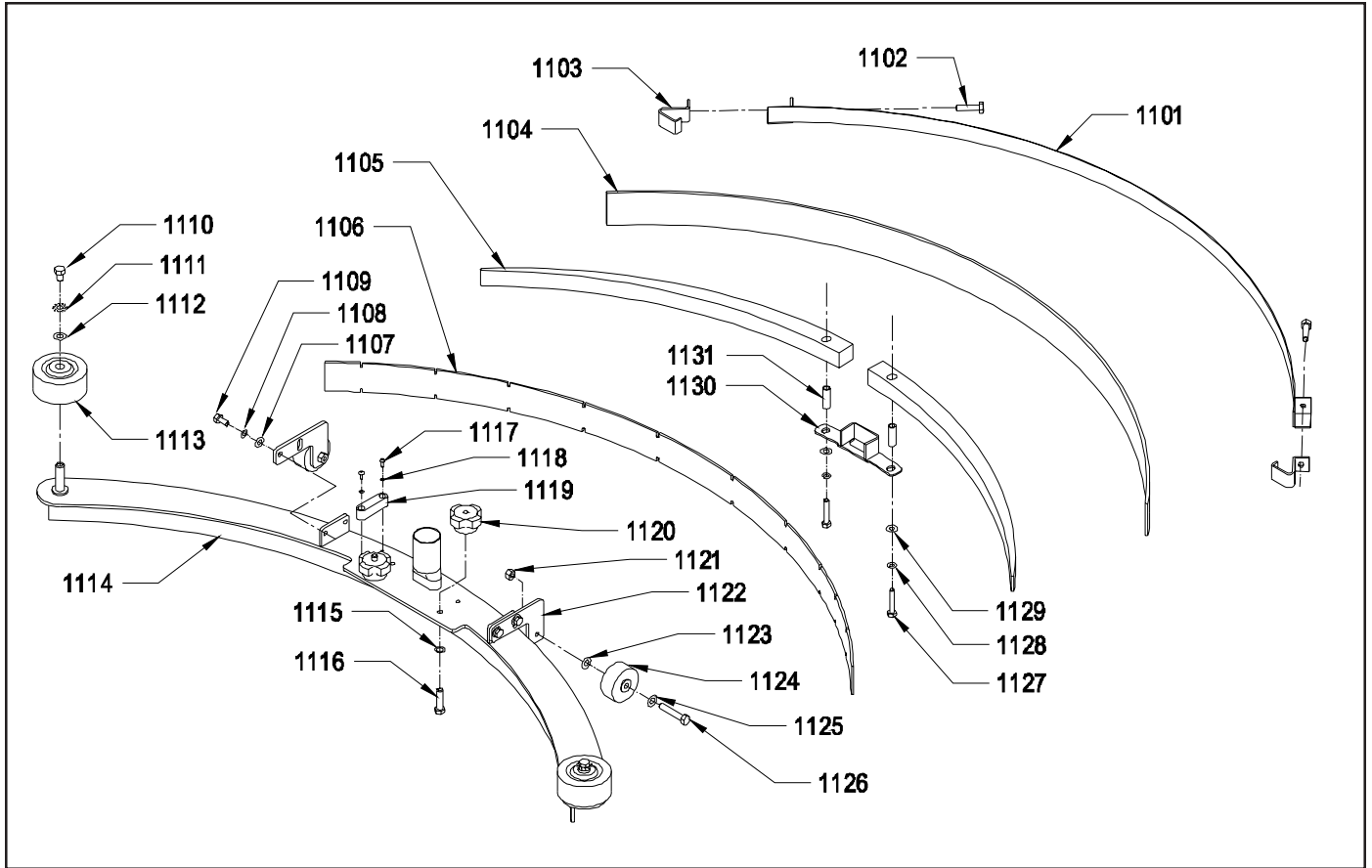


SQUEEGEE ASSEMBLY



<u>ITEM</u>	<u>PART NO.</u>	<u>DESCRIPTION</u>	<u>QTY.</u>
1001	2490741	SQUEEGEE PIVOT BRACKET	1
1002	2490751	SQUEEGEE LIFT	1
1003	2490591	SQUEEGEE PIVOT SPACER	1
1004	2391941	BALL JOINT	1
1005	1090981	SWITCH GUARD SPACER	1
1006	9122660	1/2-13 X 3 HEX BOLT WITH NYLON PATCH	1
1007	3695581	HEIGHT ADJUSTING SPRING	1
1008	9122140	3/8-16 HEX NUT WITH NY-LOK INSERT	1
1009	9121520	5/16 SPLIT LOCK WASHER	1
1010	9121840	5/16-18 X 2 1/4 FULL THREADED HEX BOLT	1
1011	2692539	SQUEEGEE ASSEMBLY 27" - INCLUDES	1
1011	9121560	5/16-18 X 1/2 HEX BOLT	2
1012	9121410	5/16 EXTERNAL STAR LOCK WASHER	2
1013	9121390	11/32 I.D. X 11/16 O.D. X .051/.080 THICK SAE FLAT WASHER (5/16)	2
1014	2790281	3" BUMPER WHEEL	2
1015	2692523	SQUEEGEE OUTER CHANNEL 27"	1
1016	2791061	SQUEEGEE BLADE - 27" SET OF 2	1
1017	2692533	SQUEEGEE INNER CHANNEL 27"	1
1018	9121880	5/16-18 X 3/4 SOCKET HEAD CAP SCREW	4
1019	9121920	5/16-18 X 1 1/2 SOCKET HEAD CAP SCREW	2
1020	9121450	5/16-18 HEX NUT WITH NY-LOK INSERT	2
1021	3096741	ROLLER WHEEL	2
1022	9121640	5/16-18 X 3/4 HEX BOLT	2
1023	2791002	SQUEEGEE KNOB	2
1024	2490761	SQUEEGEE MOUNT BRACKET	1
1025	9122340	3/8-16 X 2 HEX BOLT	1
1026	1391171	3/8 FLANGE NYLINER	2
1027	9121440	5/16-18 WING NUT	1
1028	1390156	SQUEEGEE PIVOT ROD	1
1029	9122670	1/2-20 HEX JAM NUT	1
1030	2690591	SQUEEGEE VAC HOSE WITH CUFFS	1

CURVED SQUEEGEE ASSEMBLY



ITEM	PART NO.	DESCRIPTION	QTY.
	2492499	CURVED SQUEEGEE ASSEMBLY - INCLUDES:	1
1101	2492551	REAR SECURING STRAP	1
1102	9121720	5/16-18 X 1 1/4 FULL THREADED HEX HEAD BOLT	2
1103	2492561	HOOKED END	2
1104	2492531	REAR BLADE	1
1105	2492511	CENTER WEDGE	2
1106	2492521	FRONT BLADE	1
1107	9120930	9/32 I.D. X 5/8 O.D. X .051/.080 THICK SAE FLAT WASHER (1/4)	4
1108	9120880	1/4 SPLIT LOCK WASHER	4
1109	9121210	1/4-20 X 5/8 HEX BOLT	4
1110	9121560	5/16-18 X 1/2 HEX BOLT	2
1111	9121410	5/16 EXTERNAL STAR LOCK WASHER	2
1112	9121390	11/32 I.D. X 11/16 O.D. X .051/.080 THICK SAE FLAT WASHER (5/16)	2
1113	2790281	BUMPER WHEEL	2
1114	2492503	MAIN HOUSING	1
1115	9121520	5/16 SPLIT LOCK WASHER	2
1116	9121720	5/16-18 X 1 1/4 FULL THREADED HEX HEAD BOLT	2
1117	9120070	6-32 X 3/8 ROUND HEAD PHILLIPS MACHINE SCREW	2
1118	9120030	6 SPLIT LOCK WASHER	2
1119	2492581	SQUEEGEE LEVEL	1
1120	2791002	SQUEEGEE KNOB	2
1121	9121450	5/16-18 HEX NUT WITH NY-LOK INSERT	2
1122	2492571	DOLLY WHEEL MOUNTING BRACKET	2
1123	9121390	11/32 I.D. X 11/16 O.D. X .051/.080 THICK SAE FLAT WASHER (5/16)	2
1124	3096741	ROLLER WHEEL	2
1125	9121390	11/32 I.D. X 11/16 O.D. X .051/.080 THICK SAE FLAT WASHER (5/16)	2
1126	9121760	5/16-18 X 1 3/4 HEX BOLT	2
1127	9121280	1/4-20 X 1 1/2 HEX BOLT	2
1128	9120880	1/4 SPLIT LOCK WASHER	2
1129	9120930	9/32 I.D. X 5/8 O.D. X .051/.080 THICK SAE FLAT WASHER (1/4)	2
1130	2492541	CENTER HOLD DOWN	1
1131	2492591	CENTER HOLD DOWN SPACER	2

ACCESSORIES



- 2392129 WET PICKUP KIT - INCLUDES:
 2291211 5" CONNECTOR - ALUMINUM
 2391231 VACUUM HOSE - 7 FOOT
 5797011 TOOL - SQUEEGEE WITH WHEELS - 15"
 5790331 STEEL WAND - 2 PIECE
 2391241 HOSE STRAP
 9997550 VELCRO HOOK
 9997560 VELCRO LOOP



- 2392179 BRUSH / SQUEEGEE KIT - INCLUDES:
 2291211 5" CONNECTOR - ALUMINUM
 2290209 STEEL WAND - 1 PIECE
 2391231 VACUUM HOSE - 7 FOOT
 3097849 14" BRUSH / SQUEEGEE TOOL



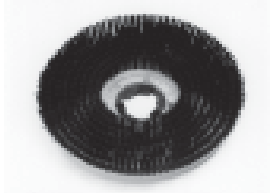
- 2890101 CLUTCH PLATE - PLASTIC 5" DIAMETER 6 HOLES - CREAM



- 5990731 SPRING CLIP PAD HOLDER SET - INCLUDES:
 9120790 10 X 5/8 PAN HEAD SHEET METAL SCREW 3



- 2694491 13" POLY BACK TUFT PAD DRIVER



- 2694481 13" POLY BACK SCRUB GRIT BRUSH
 2694511 13" BRUSH - NYLON
 2694521 13" BRUSH - NYLOGRIT



- 3390361 6 VOLT BATTERY - 225 AMP/HR - WET
 3390951 6 VOLT BATTERY - 225 AMP/HR - DRY



- 2396081 CHARGER - 24 VOLT FOR 120 VOLT BATTERY
 2391991 CHARGER - 24 VOLT FOR 240 VOLT BATTERY

- 9091001 HARDWARE CATALOG
 9091002 HOSES, TOOLS AND ACCESSORIES CATALOG
 9092607 OPERATORS MANUAL

NOTES



NSS ® Enterprises, Inc.

3115 Frenchmens Road, Toledo, Ohio 43607
PHONE (419) 531-2121 FAX (419) 531-3761

NSS ® Enterprises, Inc. European Distribution Centre
Unit II, Pinfold Trading Estate * 55 Nottingham Road
STAPLEFORD, NOTTINGHAM NG9 8AD ENGLAND U.K.
PHONE: (44) 0115 939 1568 * FAX: (44) 0115 949 0615