



Electronic Service Manuals

This electronic document is provided as a service to our customers. We do not create the contents of the information contained in this document. Should you have detailed questions pertaining to the information contained in this document, you may contact Michco, or the manufacturer which provided the original information in this electronic deliverable. Michco's only part in this electronic deliverable was the electronic assembly process. By providing this manual on line we are not guaranteeing parts availability.

You may contact Michco through the following methods:

Phone (517) 484-9312 or (800) 331-3339

2011 N. High St. -- Lansing, Michigan -- 48906

Fax: (517) 484-9836

Email: CustServe@Michco.com

Web site: www.Michco.Com

Parts Web site: www.FloorMachineParts.Com

Order Parts on Line at:

www.FloorMachineParts.Com

Directly to Parts & Service:

By Email: **Shop@Michco.com**

By Fax: (517) 702-2041

By Voice: Use numbers above.

Serving the Cleaning Industry Since 1922

Notice: All copyrighted material remains property of original owners, all trademarks are property of respective owners. Manuals are subject to Manufacturer's reproduction limitations. Originals or reproductions were provided by manufacturers through a request. We make no warranty as to the correctness of information provided in this document and you assume all risk. By placing these manuals on line we are not declaring our corporation to be an manufacturer authorized dealer or provider, please check our web site for authorized manufacturers we represent.



WRANGLER

1503 AB

USA *Spare parts catalogue*

FR *Catalogue de pièces de rechange*

I *Catalogo parti di ricambio*



11/2010



NSS® Enterprises, Inc.

3115 Frenchmens Road, Toledo, Ohio 43607
PHONE: (419) 531-2121 FAX: (419) 531-3761

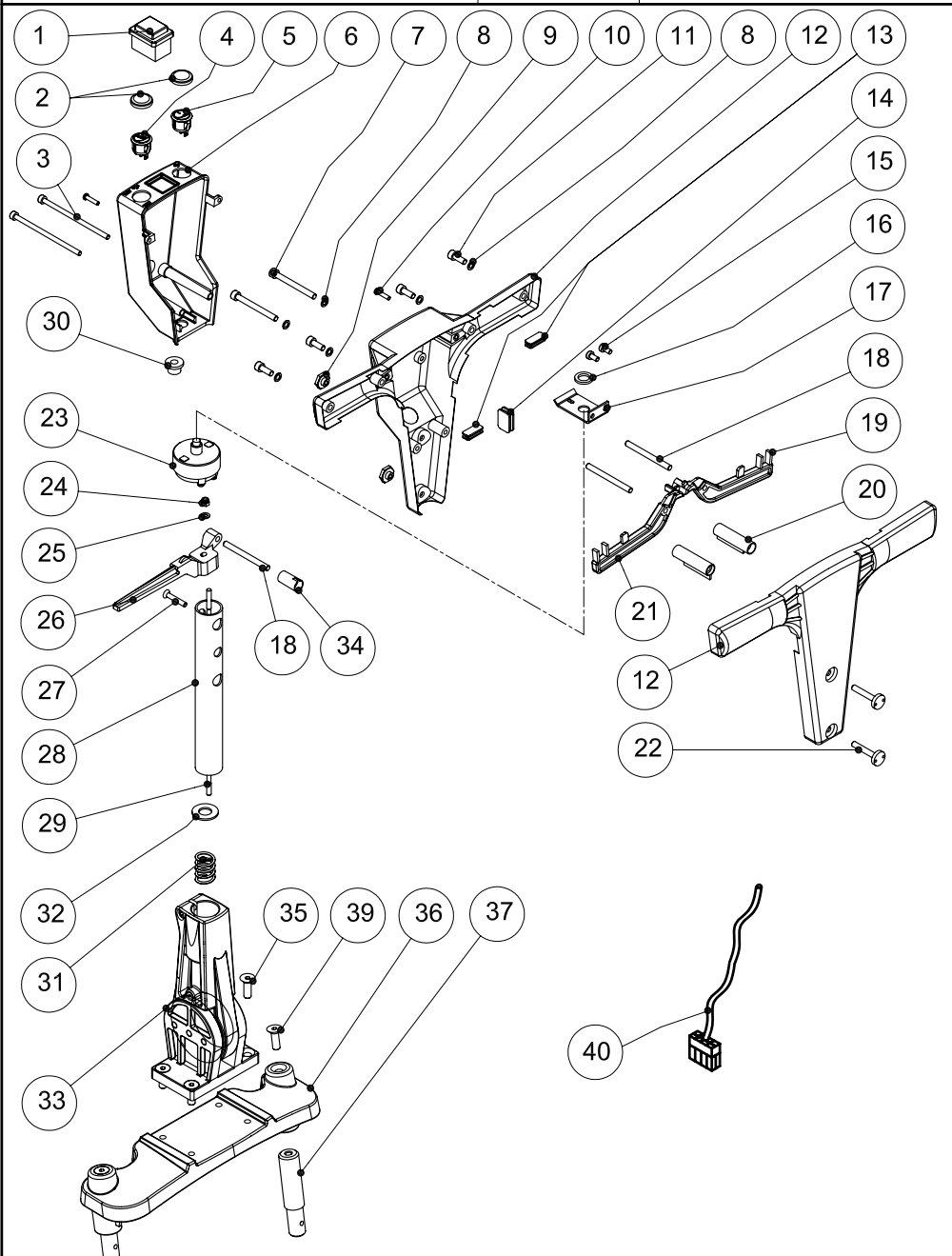
NSS® Enterprises, Inc. European Distribution Centre
Unit II Pinfold Trading Estate * 55 Nottingham Road
STAPLEFORD NOTTINGHAM NG9 8AD ENGLAND U.K.
PHONE: (44) 0115 939 1568 * FAX: (44) 0115 949 0615

TAV. N° 5038

TAV. N° 5038

HANDLE ASSEMBLY

22.0130.02



HANDLE ASSEMBLY

22.0130.02

POS.	DESCRIZIONE	DESCRIPTION	DESCRIPTION	Q.tà	COD.	NOTE
1	Indicatore scarica	Indicateur	Indicator	1	1290681	•
2	Cappuccio	Couverture	Cover	2	1290691	•
3	Vite	Vis	Screw	2	1290701	
4	Interruttore 1-0-2	Interrupteur 1-0-2	Switch 1-0-2	1	1290711	•
5	Interruttore 0-1	Interrupteur 0-1	Switch 0-1	1	1290721	•
6	Cruscotto	Tableau de bord	Panel	1	1290731	
7	Vite	Vis	Screw	2	1290741	
8	Rondella	Rondelle	Washer	6	1290751	
9	Dado	Ecrou	Nut	2	1290761	
10	Vite	Vis	Screw	2	1290771	
11	Vite	Vis	Screw	4	1290781	
12A	Impugnatura	Manchon	Handle	1	1290791	
12B	Impugnatura	Manchon	Handle	1	1291911	
13	Tappo	Bouchon	Cap	2	1290801	
14	Tappo	Bouchon	Cap	1	1290811	
15	Vite	Vis	Screw	2	1290821	
16	Rondella	Rondelle	Washer	1	1290831	
17	Staffa	Support	Support	1	1290841	
18	Spina	Pivot	Pin	3	1290851	
19	Leva sinistra	Levier gauche	Left lever	1	1290861	
20	Distanziale	Entretoise	Spacer	2	1290871	
21	Leva destra	Levier droite	Right lever	1	1290881	
22	Vite	Vis	Screw	2	1290891	
23	Interruttore	Interrupteur	Switch	1	1290901	
24	Dado	Ecrou	Nut	1	1290911	
25	Rondella	Rondelle	Washer	1	1290921	
26	Maniglia	Manchon	Handle	1	1290931	
27	Vite	Vis	Screw	1	1290941	
28	Stelo	Tube	Tube	1	1290951	
29	Asta	Barre	Bar	1	1290961	
30	Pressacavo	Passe-câble	Fairleader	1	1290971	
31	Molla	Ressort	Spring	1	1290981	
32	Rondella	Rondelle	Washer	1	1290991	
33	Snodo	Articulation	Articulated joint	1	1291001	
34	Distanziale	Entretoise	Spacer	1	1291011	
35	Vite	Vis	Screw	2	1291021	
36	Piastra	Plaque	Plate	6	1291031	
37	Perno	Pivot	Pin	2	1291041	
39	Vite	Vis	Screw	2	1291051	
40	Cavo maniglione	Câble	Handle cable	1	1291061	

TAV. N° 5035

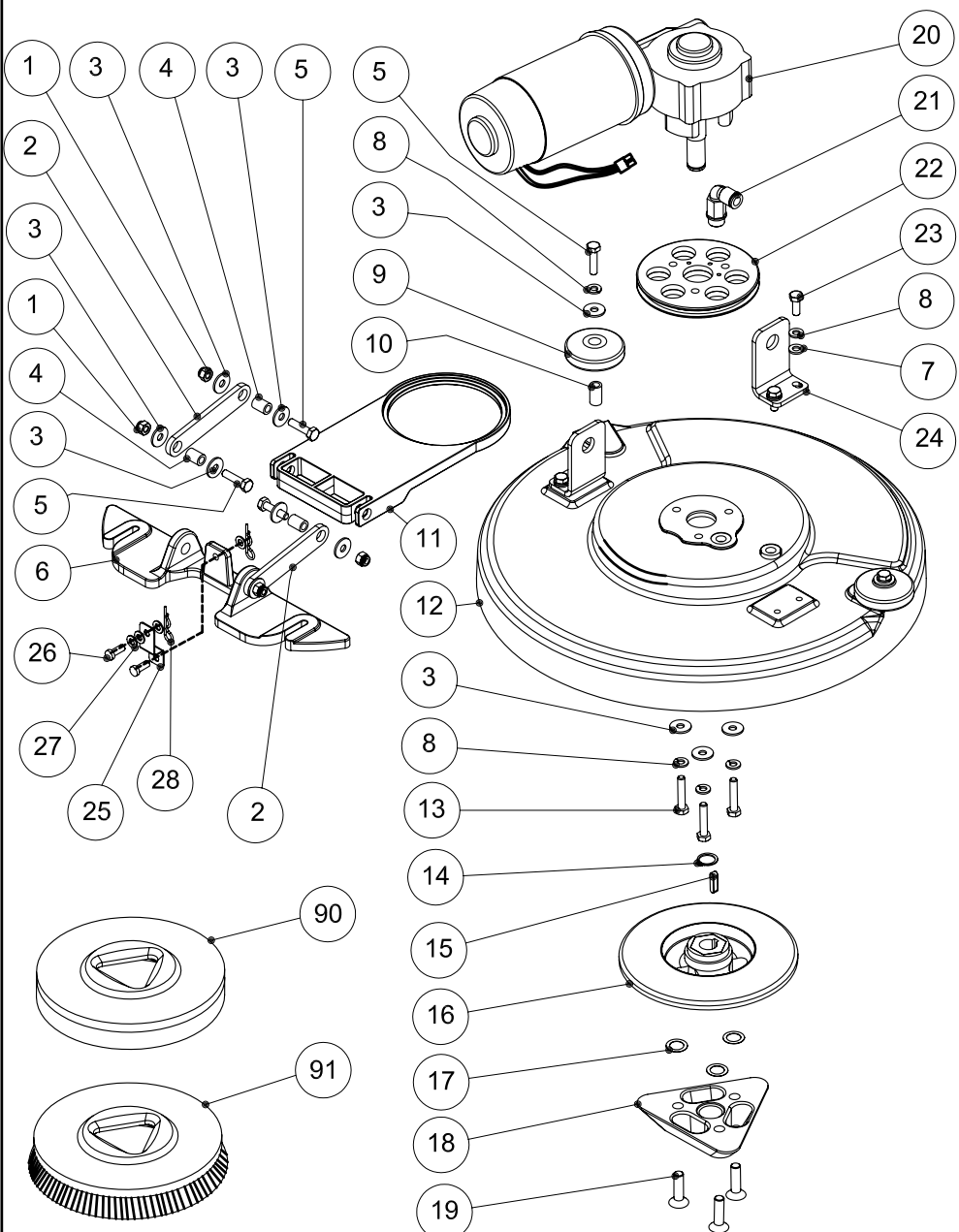
TAV. N° 5035

BRUSH ASSEMBLY

GH22.0208.00

BRUSH ASSEMBLY

GH22.0208.00



POS.	DESCRIZIONE	DESCRIPTION	DESCRIPTION	Q.tà	COD.	NOTE
1	Dado	Ecrou	Nut	4	1291071	
2	Braccetto	Barre	Bar	2	1291081	
3	Rondella	Rondelle	Washer	13	1291091	
4	Boccola	Bouille	Bush	4	1291101	
5	Vite	Vis	Screw	6	1291111	
6	Supporto tergitoro	Support seceuer	Squeegee support	1	1291121	
7	Rondella	Rondelle	Washer	4	1291131	
8	Rondella	Rondelle	Washer	9	1291141	
9	Rotella paracolpi	Roue tampon	Bumper wheel	2	1291151	
10	Distanziale	Entretoise	Spacer	2	1291161	
11	Braccio	Barre	Bar	1	1291171	
12	Calotta	Carter	Carter	1	1291181	
13	Vite	Vis	Screw	3	1291191	
14	Seeger	Seeger	Seeger	1	1291201	
15	Linguetta	Languette	Tang	1	1291211	
16	Mozzo	Moyeu	Hub	1	1291221	
17	Rasamento	Racleur	Thrust washer	3	1291231	
18	Innesto	Manchon	Connecting sleeve	1	1291241	
19	Vite	Vis	Screw	3	1291251	
20	Motoriduttore	Moto réducteur	Gear motor	1	1291261	• 24 Vdc
21	Raccordo	Raccord	Connector	1	1291271	
22	Fulcro	Pivot	Fulcrum	2	1291281	
23	Vite	Vis	Screw	4	1291291	
24	Angolare	Angulaire	Angular	2	1291301	
25	Attacco	Raccordement	Coupling	1	1291311	
26	Perno	Pivot	Pin	2	1291321	
27	Rondella	Rondelle	Washer	4	1291331	
28	Copiglia	Goupille	Split pin	2	1291341	
90	Trascinatore ø352	Plateau ø352	Pad holder ø352	1	1291901	ø352
91	Spazzola	Brosse	Brush	1	1291891	ø385 PPL0,5
91	Spazzola	Brosse	Brush	1	1291881	ø385 PPL0,7
91	Spazzola	Brosse	Brush	1	1291871	ø385 PPL0,9

