



Electronic Service Manuals

This electronic document is provided as a service to our customers. We do not create the contents of the information contained in this document. Should you have detailed questions pertaining to the information contained in this document, you may contact Michco, or the manufacturer which provided the original information in this electronic deliverable. Michco's only part in this electronic deliverable was the electronic assembly process. By providing this manual online we are not guaranteeing parts availability.

You may contact Michco through the following methods:

Phone (517) 484-9312

2011 N. High St. -- Lansing, Michigan -- 48906

Fax: (517) 484-9836

Email: CustomerService@Michco.com

Website: www.Michco.Com

Order Parts online at:

www.Michco.Com

Directly to Parts & Service:

By Email: **CustomerService@Michco.com**

By Fax: (517) 484-9836

By Voice: (517) 484-9312

Serving the Cleaning Industry Since 1922

Notice: All copyrighted material remains property of original owners, all trademarks are property of respective owners. Manuals are subject to Manufacturer's reproduction limitations. Originals or reproductions were provided by manufacturers through a request. We make no warranty as to the correctness of information provided in this document and you assume all risk. By placing these manuals on line we are not declaring our corporation to be an manufacturer authorized dealer or provider, please check our web site for authorized manufacturers we represent.



Parts and Instruction Manual
MR1500/MR2000 Series
Mirage Burnisher

Model Nos. MR1500-115, MR1500-220, MR2000-115, MR2000-220

Specifications:

Models	Mirage 1500	Mirage 2000
Head size	20" Head	20" Head
Head Speed	1500 RPM	2000 RPM
Motor	1.5HP 66 Frame DC Rectified Motor, Belt Driven	1.5HP 66 Frame DC Rectified Motor, Belt Driven
Brush Cover	Black Powder Coated	Black Powder Coated
Weight	96 lbs.	96 lbs.
Handle Grips	Anti-fatigue Handle Grips	Anti-fatigue Handle Grips
Power Cord	75'	75'
Amperage Draw	15 Amps	15 Amps
Warranty	2 year	2 year
Shipping Weight	108 lbs.	108 lbs.
Shipping Dimensions	54"h x 31"L x 22.5" W	54"h x 31"L x 22.5" W

Table of Contents

INSPECTION.....	4
SAFETY INSTRUCTIONS.....	5
GROUNDING	7
MAINTENANCE	8
WIRING	12
HANDLE-ALL MODELS	14
HANDLE-BOM	15
MR1500-115	16
MR1500-115 BOM.....	17
MR1500-220	18
MR2000-115	20
MR2000-220	22
Warranty	24

UNPACKING YOUR NEW BURNISHER:

When your package is delivered, check the carton carefully for signs of rough handling. If your BURNISHER is damaged, notify the carrier immediately and request an inspection. Be sure to keep the carton, packing inserts, packing lists and carrier's receipt until the inspector has verified your claim.

MINUTEMAN's liability ceases when the carrier picks up the shipment. However, our customer service staff will be happy to furnish any information needed in connection with the claim and will attempt to expedite a resolution.



PLEASE READ BEFORE OPERATING YOUR NEW BURNISHER:

Read the manual carefully and completely before attempting to operate the unit. This manual has important information for the use and safe operation of the machine. Keep this manual handy at all times.

This equipment has been engineered and manufactured to provide excellent performance and service. To ensure that your equipment will continue to perform as intended:

- Maintain equipment regularly- following the suggested maintenance schedule provided.
- Use only original MINUTEMAN parts when servicing.
- Operate equipment with care.

If additional information is needed, please contact:
MINUTEMAN INTERNATIONAL 630- 627-6900

All information and specifications printed in the manual are current at the time of printing; however because of MINUTEMAN's policy of continual product development, we reserve the right to make changes at any time without notice.

FAILURE TO COMPLY WITH THE FOLLOWING WARNINGS AND INSTRUCTIONS WILL VOID THE WARRANTY.

WARNING!

- Do not operate the machine unless trained and authorized.
- Do not allow children or untrained adults to operate this machine.
- Do not leave the machine when plugged in. Unplug from the outlet when not in use, before servicing, and when changing the brushes or pads.
- Use indoors only.
- Do not allow to be used as a toy. Close attention is necessary when used by or near children.
- Do not bypass or defeat the safety “lock-out lever.”
- The machine was designed for use as per instruction and recommendations written in this manual.
- Any deviation from its proper use or purpose and the consequential damage that may occur is the sole responsibility of the end user.
- Do not use with damaged cord or plug. If the machine is not working as it should, or it has been dropped, damaged, left outdoors or dropped into water, return it to an authorized service center.
- Do not pull or carry by cord, use cord as handle, close a door on the cord or pull cord around sharp edges or corners. Do not run machine over cord. Keep cord away from heated surfaces.
- Do not unplug by pulling on cord. To unplug, grasp the plug, not the cord.
- Do not handle plug or appliance with wet hands.
- Make sure the machine is plugged into an electrical outlet with the same voltage and frequency rating as shown on the nameplate of the machine. Do not attempt to plug a 115-volt machine into a 230-volt outlet.
- Do not immerse or use this machine in standing water. Such use can cause electric shock.
- Keep the electrical supply cord from contacting the rotating brush or drive block.
- Do not expose machine to freezing temperatures.
- To avoid electric shock, do not expose the unit to rain.

Store indoors only.

- Connect to a properly grounded outlet only. See “Grounding Instructions.”
- Turn off all controls before unplugging.
- When using an extension cord, use a 3 conductor grounding cord, 12 gauge wire or heavier.
- Do not put any object into openings. Do not use with any opening blocked. Keep free of dust, lint, hair and anything that may reduce air flow.
- Do not operate machine in flammable or explosive areas.
- All servicing of MINUTEMAN’s equipment should be performed by a MINUTEMAN authorized service center.
- Keep hair, loose clothing, fingers and all parts of body away from openings and moving parts.
- Use extra care when cleaning near stairs.
- To reduce the risk of fire use only commercially available floor cleaners and waxes intended for machine application.
- Risk of explosion - Electrical motors and components can cause an explosion when operated near volatile materials and vapors. Do not use this machine near flammable materials such as solvents, thinners, fuels, grain dust, etc.



ELECTRICAL - 115 Volt

Model: MR2000-115, MR1500-115

This machine is designed to operate on a standard 15 amp, 120 volt, 60 Hz, AC circuit. Voltages below 105 volt AC or above 125 volts AC could cause serious damage to the motor.

ELECTRICAL - 240 Volt

Model: MR2000-220, MR1500-220

This machine is designed to operate on a standard 8.3 amp type L fused 230 volt, 50 Hz, AC circuit. Voltages below 200 volt AC or above 250 volts AC could cause serious damage to the motor.

GROUNDING INSTRUCTIONS:

This piece of equipment must be grounded. Should an electrical malfunction occur, grounding provides a path of least resistance for electrical current- reducing the risk of electric shock. This piece of equipment is furnished with a cord that has a grounding conductor and grounding plug. The grounded plug must only be plugged into an appropriate outlet that is properly installed and grounded in accordance with all local codes and ordinances.

WARNING:

Connecting the equipment to an improperly grounded outlet can result in an increased risk of electric shock. A qualified electrician should be consulted if you are unsure that the outlet is properly grounded. Do not modify the plug provided with the equipment. If it will not fit the outlet, have a proper outlet installed by a qualified electrician.

This appliance is designed for use on a 120-volt circuit. The grounding plug provided looks like the plug illustrated in Figure 1. Replace the power cord if the grounding pin is damaged or broken.

Extension cords connected to this machine should be 12 gauge, three-wire cords with three-prong plugs and outlets. DO NOT use extension cords more than 25 feet (7.6 m) long

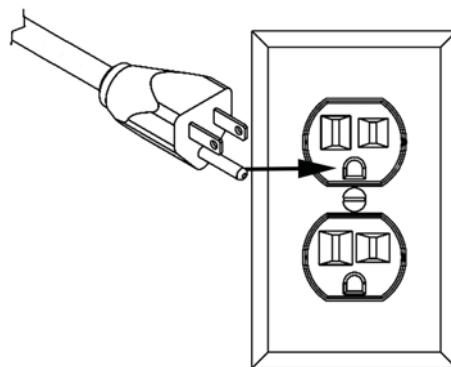


Figure 1

MAINTENANCE:

This BURNISHER has been engineered and built to require minimum maintenance. But like any machine, it does require some care to keep it in optimum working condition. Careful attention to these maintenance instructions will give you maximum operating performance and life expectancy of the machine.

CAUTION: Disconnect the power cord from the outlet before doing any clean up or maintenance on the machine

- Keep the machine clean. Do not allow dust to accumulate on external surfaces, the motor, or near any moving parts.
- After every job, wipe down the surface of the machine with a clean damp cloth.
- Inspect cord for damage. Do not use machine with a damaged cord.

CORD STORAGE:

While not in use, storage can be accomplished by winding cord around handle assy. Cord should be completely unwound during operation.

CORD SAFETY

- Do not leave appliance when plugged in. Unplug from outlet when not in use and before servicing
- Do not use with damaged cord or plug. If appliance is not working as it should, has been dropped, damaged, left outdoors, or dropped into water, return to service center for inspection and repair.
- Do not pull or carry by cord, use cord as handle, close a door on cord, or pull cord around sharp edges or corners. Do not run this BURNISHER over cord. Keep cord away from heated surfaces.
- Do not unplug by pulling cord. To unplug, grasp the plug, not the cord.
- Do not handle plug or appliance with wet hands.
- Always unplug the machine when removing brush.
- This equipment should be stored indoors and not exposed to rain.

CLEAN UP & STORAGE

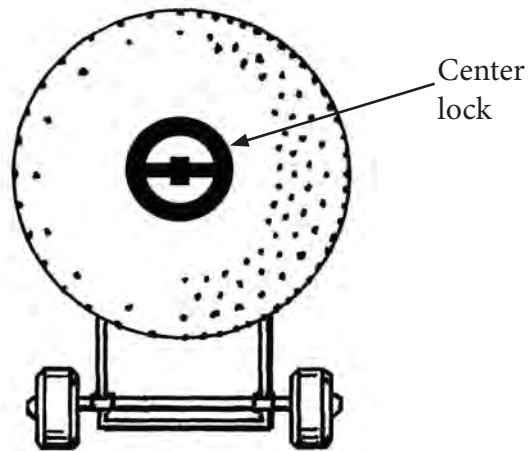
- Unplug and wrap it under the cord hook and around the left side handle grip. Clean the cord and inspect it for cuts, gashes and loose prongs.
- Wipe down the machine and store in clean dry place.

WARNING: Do not store the machine with the drive block, pad driver or brush on the machine.

PAD INSTALLATION:

1. To install pad, tilt the machine back on the rear wheels until machine is resting on handle.
2. Center the pad on the pad holder and insert pad center lock by twisting clockwise. Make sure the center lock is tight.

To remove: Twist the center lock counterclockwise

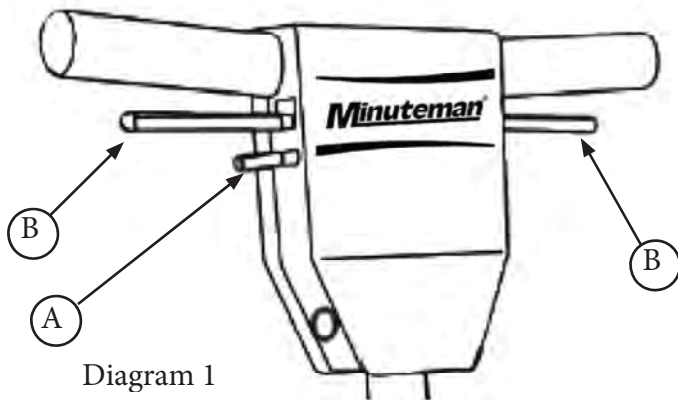


MACHINE OPERATION:

This equipment is equipped with a trigger safety interlock. Refer to Diagram 1 for steps 5, 6, and 7.

1. Install the pad driver and pad or attachment.
2. Plug in machine.
3. Adjust the handle to the desired operating position.
4. Lean the machine back, with all four wheels on the floor, so the pad is not making contact with the floor when you turn the motor on.
5. Place both hands on the handle grips with your fingers around the on/off lever (Refer to B on Diagram 1) which extends from one side to the other, underneath the handle grips.
6. The safety "lock-out" lever (Refer to A on Diagram 1) is located underneath the right side handle grip and switch lever. To unlock the "lock-out" lever, use your right hand forefinger to press the lever down toward the back of the switch box.
7. With trigger safety interlock in the unlocked position, pull up on either side of the ON/OFF lever (Refer to B on Diagram 1) to power the motor. Pull up on only one side of the ON/OFF lever.

8. Once the motor is at full speed, carefully lower the pad onto the floor.

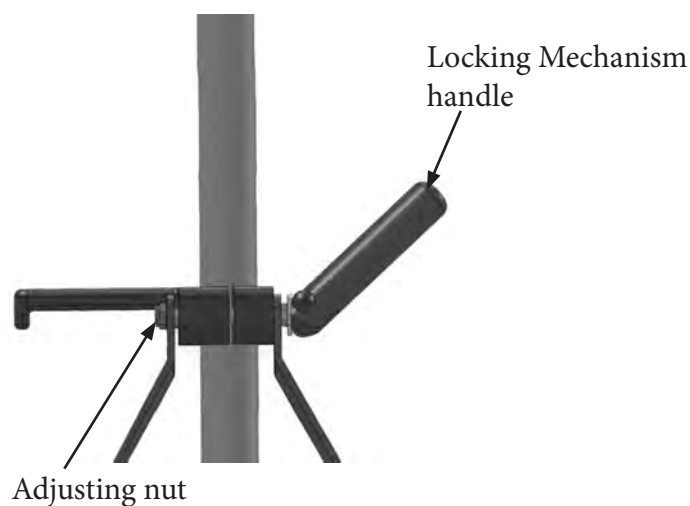


TO MANEUVER THE MACHINE

1. Raise the handle slightly and the machine will go to the right. The higher you raise it, the faster it will go.
2. Lower the handle and the machine will go left. The more you lower it, the faster it will go.
3. Practice on a smooth surface until you gain experience in operating the unit.

TO ADJUST THE HANDLE-LOCK MECHANISM:

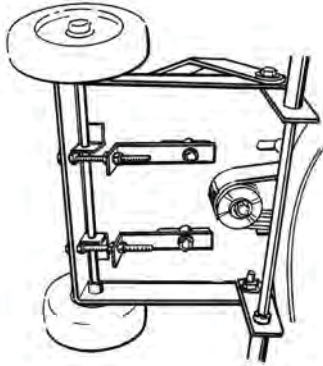
1. Unlock the handle and place it in the upright position.
2. Tighten the adjusting nut until there is just a slight drag when the handle is raised or lowered. Do not overtighten.
3. Place the handle grip into the down (locked) position to check for proper locking function.



TO ADJUST A DRIVE BELT

1. Loosen, but do not remove the 4 bolts, that hold the motor to the frame.
2. Tighten the 2 screws at the back of the frame until the belt is tight.
3. Test and re-adjust the belt until the belt does not slip. Re-tighten the four motor bolts.

WARNING: DO NOT OVER-TIGHTEN THE BELT



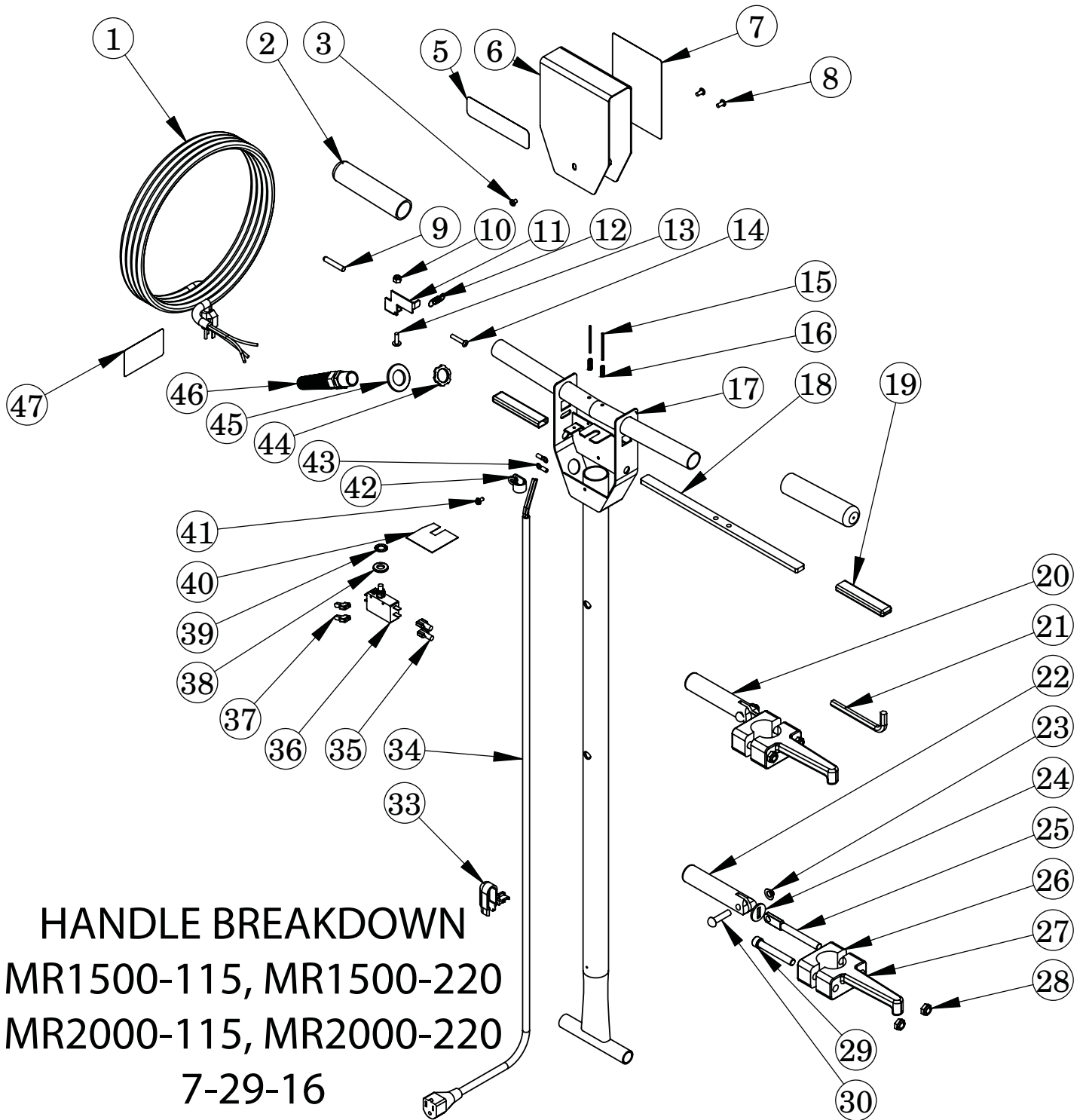
SERVICING:

In the event that your BURNISHER requires service, please contact MINUTEMAN:

USA Phone 630- 627-6900 · Fax 630- 627-1130

www.minutemanintl.com

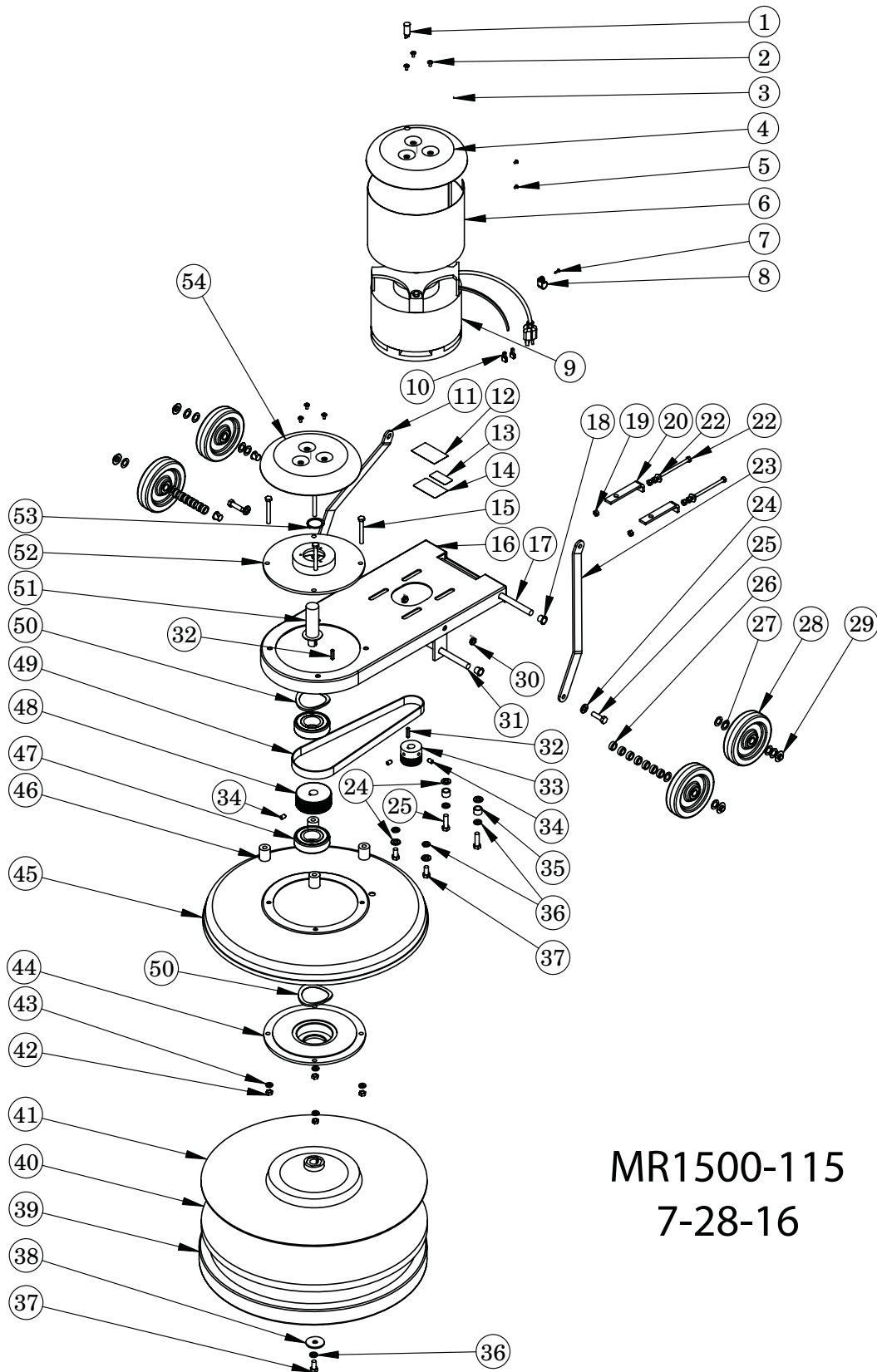
No user serviceable components are employed in this equipment. Do not attempt repairs yourself. MINUTEMAN will assist you in locating an independent service contractor.



HANDLE BREAKDOWN
MR1500-115, MR1500-220
MR2000-115, MR2000-220
7-29-16

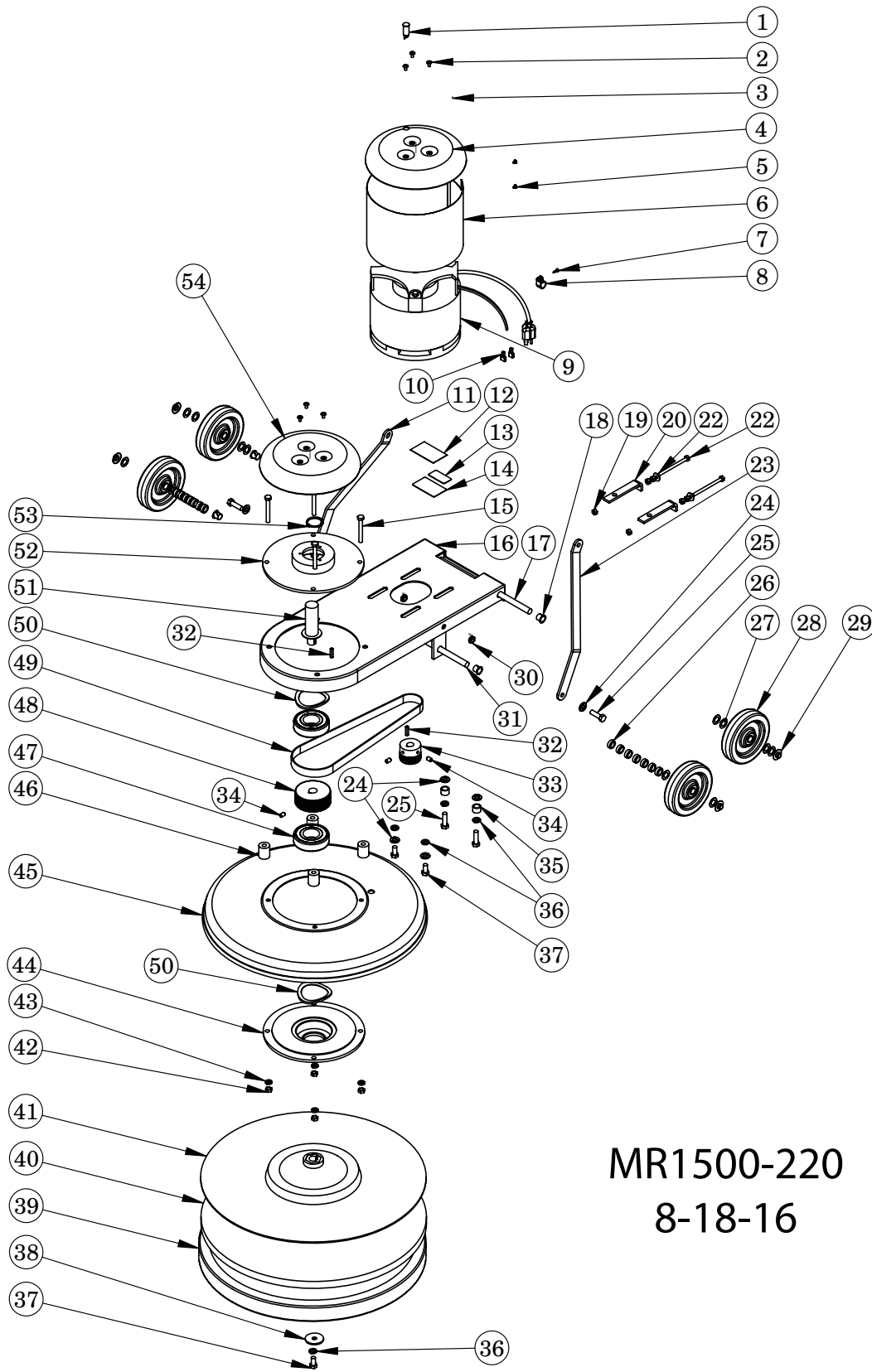
BILL OF MATERIAL

ITEM	PART #	QTY	DESCRIPTION	ITEM	PART #	QTY	DESCRIPTION
1	B11900	1	Power Cord, 12-3, 75 FT, SJTW	24	C00259	1	Washer, Slotted, Zinc
2	K11498	2	Grip	25	C11536	1	Spade Bolt, .375-16 X 4 in
3	C11528	1	Screw, 10-32 X .25 in	26	D11507-2	1	Cord Hook Clamp
4	H12069	1	Label, 2000 RPM, Saturn	27	D11507	1	Cord Hook Body
5	H13699	1	Label, MINUTEMAN, White	28	C11558	2	Locknut, Black Oxide, Thin
6	D11496B	1	Switch Box Cover, Black	29	C11502	1	Socket Cap Screw, .375-16 X 2.5 in
7	H11493	1	Label, Safety, Floor Machine	30	C11537	1	Dowel Pin, .31 X 1.5 in
8	C11529	2	Screw, 10-32 X .375 in	33	B10734	1	Strain Relief, Handle
9	K11519	1	Lever Grip, Lockout, Black	34	B11513	1	Cord, Handle, 14-3 SJTW
10	C00278	1	Locknut, 10-32, Nylon, SS	35	B11762	2	Terminal Lug, Nylon, Female
11	D11494	1	Lockout Bracket	36	B11465	1	Switch, DPST, Pushbutton
12	D11524	1	Spring, Lockout	37	B00177	2	Terminal Lug, Female, QD, .25 X 0.032
13	C90007	1	Screw, 10-32 X .625 Phillips, Truss Head	38	C00252	1	Washer, .375 in, Flat
14	C11491	1	Screw, 10-32 X 1 in, SS	39	C11541	1	Washer, .375 in, Star
15	C00306	2	Roll Pin, .125 X 1.75	40	B11518	1	Switch Insulation
16	D11523	2	Spring, Trigger	41	C00284	1	Screw, 10-32 X .375 Ground
17	D11479	1	Handle, Chrome, Floor-machine	42	B00187	1	Cable Clamp, Nylon, .43 in.
18	D11495	1	Trigger, Zinc Plated	43	B00180-10-3	2	Ring Terminal, #10 Center
19	K11520	2	Lever Grip, Trigger, Black	44	B11505	1	Strain Relief Nut, Metal
20	11507A	1	Assembled Locking Handle, Cord Hook	45	C11560	1	Washer, .93 ID X 1.5 OD
21	C11619	1	Allen Wrench, .31 in	46	B11504	1	Strain Relief, Metal
22	D11497	1	Handle, Locking Clamp	47	H02548-2	1	Label, Important, Cord
23	C11538	1	Cap Nut, .31 in, Push-On				



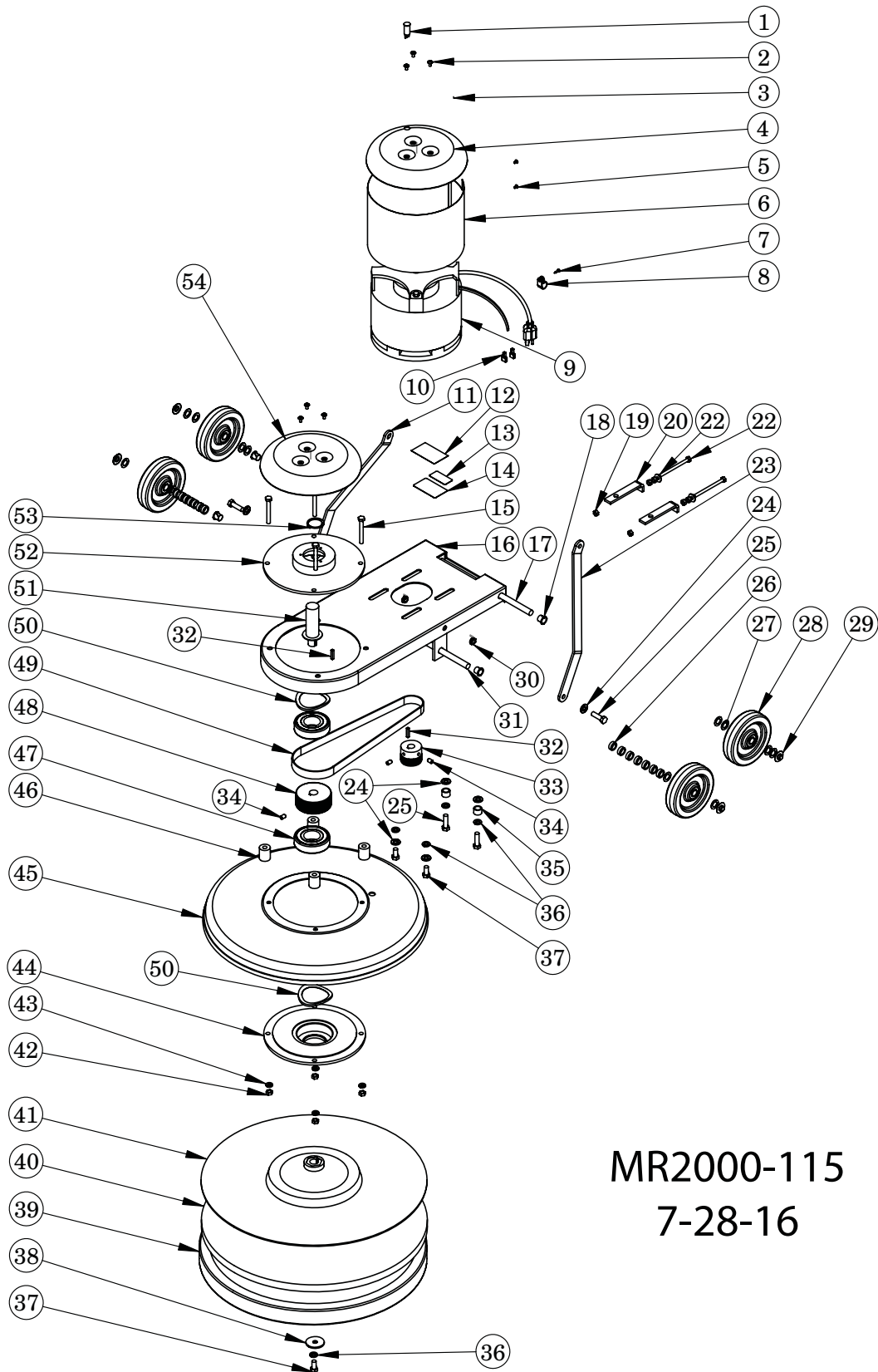
MR1500-115
7-28-16

BILL OF MATERIAL							
ITEM	PART #	QTY	DESCRIPTION	ITEM	PART #	QTY	DESCRIPTION
1	B02196	1	Light, Motor Carbon Brush Wear	29	C02305	4	Cap Nut, .5 in Push-on
2	C11916	6	Screw, 10-32 X .375 Phillips	30	C11558	2	Locknut, .375-16
4	D11490B-H	1	Drip Cover, Black w- Hole for Green Light	31	D11562	1	Axle, Wheel
5	C00297	2	Screw,#8 X .25 in, Pan Head	32	C11555	2	Key, Motor, .187 in
6	D11545	1	Motor Screen	33	D11532	1	Pulley
7	C00293	1	#8 X .5in Pan, Black SMS, Phillips	34	C11567	3	Set Screw, .312 in
8	B00187	1	Cable Clamp, Nylon, .43 in.	35	K00662-750	2	Spacer, .75 in
9	G11557	1	Motor 115V	36	C00250	5	Lockwasher, .375, Split
10	B00177	2	Terminal Lug, Female, QD,	37	C11571	3	Hex Tap Bolt, 3/8 X .75 in
11	D11543	1	Handle Brace, Left	38	D11535	1	Washer, 1.75 in, Steel
12	H03545	1	Cover, Serial # Label	39	E11478	1	Bumper, 20 in Floor Machine
13	H10976-1	1	Label, UL STD 561-507	40	F11988	1	Pad, Hi Speed, 20 in
14	H00565-5	1	Label, Serial #, Standard	41	2004BR	1	Pad holder, 20 in, High Speed
15	C11568	4	Hex Bolt, .31- 18 X 2.5 in	42	C00262	4	Nut, .31-18, Hex
16	D11526	1	Frame, Motor, Black	43	C00251	4	Lockwasher, .31, Split
17	D11563	1	Axle, Handle	44	D11565	1	Bearing Plate, Lower
18	K00674	4	Bushing, .50 in, Nylon	45	D11486-B	1	Brush Cover, 20 in, Black
19	C00261	6	Nut, .25-20, Hex	46	K11521	4	Spacer, Base, Floor Machine
20	D11542	2	Tension Adjustment Bracket	47	G11531	2	Bearing
21	C00233	2	Washer, Flat, .25 in	48	D11547	1	Pulley, 3-7/8" w- Grooves
22	C00319	2	Hex Tap Bolt, 1/4 X 20 X 3.5	49	L11530	1	Belt
23	D11544	1	Handle Brace, Right	50	C11556	2	Wave Washer
24	C00252	6	Washer, .375 in, Flat	51	D11534	1	Shaft, 4.11 in
25	C11569-150	4	Hex screw, 3/8-16 X 1.5	52	D11566	1	Bearing Plate, Upper
26	K11561	14	Spacer, .25 lg, Nylon, Natural	53	C11574	1	Retaining Ring
27	C11559	12	Washer, .515 X .875 X .032	54	D11490B	1	Drip Cover, Black
28	G11943	4	Wheel, 5 in Saturn				



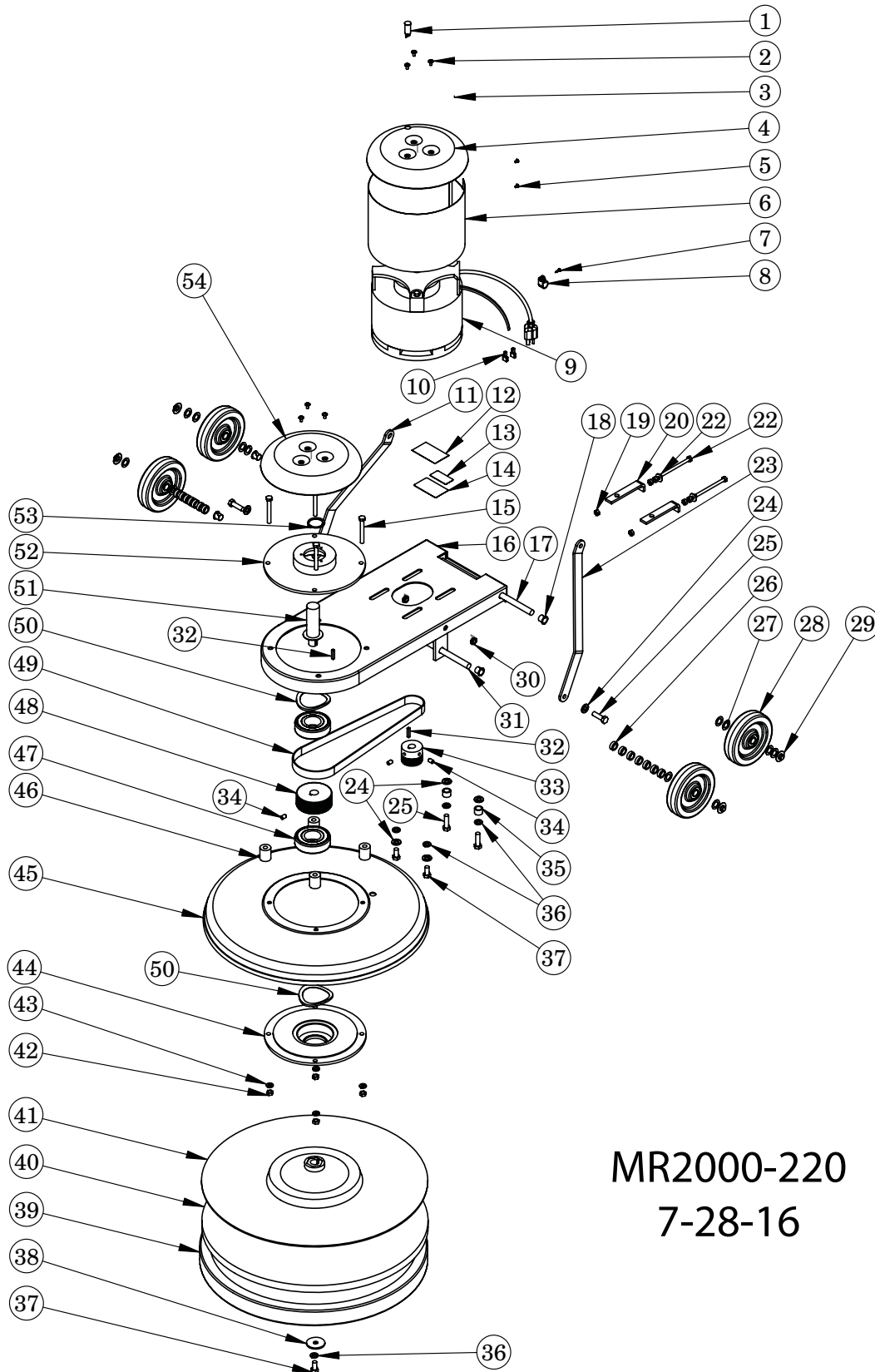
MR1500-220
8-18-16

BILL OF MATERIAL							
ITEM	PART #	QTY	DESCRIPTION	ITEM	PART #	QTY	DESCRIPTION
1	B02196-1	1	Light, Motor Carbon Brush Wear	29	C02305	4	Cap Nut, .5in Push-on
2	C11916	6	Screw, 10-32 X .375 Phillips	30	C11558	2	Locknut, .375-16
4	D11490B-H	1	Drip Cover, Black w- Hole for Green Light	31	D11562	1	Axle, Wheel
5	C00297	2	Screw,#8 X .25 in, Pan Head	32	C11555	2	Key, Motor, .187 in
6	D11545	1	Motor Screen	33	D11532	1	Pulley, 1500rpm pulley
7	C00293	1	#8 X .5in Pan, Black SMS, Phillips	34	C11567	3	Set Screw, .312 in
8	B00187	1	Cable Clamp, Nylon, .43 in.	35	K00662-750	2	Spacer, .75 in
9	G11744	1	Motor 220V	36	C00250	5	Lockwasher, .375, Split
10	B00177	2	Terminal Lug, Female, QD,	37	C11571	3	Hex Tap Bolt, 3/8 X .75 in
11	D11543	1	Handle Brace, Left	38	D11535	1	Washer, 1.75 in, Steel
12	H03545	1	Cover, Serial # Label	39	E11478	1	Bumper, 20 in Floor Machine
13	H10976-1	1	Label, UL STD 561-507	40	F11988	1	Pad, Hi Speed, 20 in
14	H00565-5	1	Label, Serial #, Standard	41	2004BR	1	Pad holder, 20 in, High Speed
15	C11568	4	Hex Bolt, .31- 18 X 2.5 in	42	C00262	4	Nut, .31-18, Hex
16	D11526	1	Frame, Motor, Black	43	C00251	4	Lockwasher, .31, Split
17	D11563	1	Axle, Handle	44	D11565	1	Bearing Plate, Lower
18	K00674	4	Bushing, .50 in, Nylon	45	D11486-B	1	Brush Cover, 20 in, Black
19	C00261	6	Nut, .25-20, Hex	46	K11521	4	Spacer, Base, Floor Machine
20	D11542	2	Tension Adjustment Bracket	47	G11531	2	Bearing
21	C00233	2	Washer, Flat, .25 in	48	D11547	1	Pulley, 3-7/8" w- Grooves
22	C00319	2	Hex Tap Bolt, 1/4 X 20 X 3.5	49	L11530	1	Belt
23	D11544	1	Handle Brace, Right	50	C11556	2	Wave Washer
24	C00252	6	Washer, .375 in, Flat	51	D11534	1	Shaft, 4.11 in
25	C11569-150	4	Hex screw, 3/8-16 X 1.5	52	D11566	1	Bearing Plate, Upper
26	K11561	14	Spacer, .25 lg, Nylon, Natural	53	C11574	1	Retaining Ring
27	C11559	12	Washer, .515 X .875 X .032	54	D11490B	1	Drip Cover, Black
28	G11943	4	Wheel, 5 in Saturn				



MR2000-115
7-28-16

BILL OF MATERIAL							
ITEM	PART #	QTY	DESCRIPTION	ITEM	PART #	QTY	DESCRIPTION
1	B02196	1	Light, Motor Carbon Brush Wear	29	C02305	4	Cap Nut, .5in Push-on
2	C11916	6	Screw, 10-32 X .375 Phillips	30	C11558	2	Locknut, .375-16
4	D11490B-H	1	Drip Cover, Black w- Hole for Green Light	31	D11562	1	Axle, Wheel
5	C00297	2	Screw,#8 X .25 in, Pan Head	32	C11555	2	Key, Motor, .187 in
6	D11545	1	Motor Screen	33	D11532	1	Pulley
7	C00293	1	#8 X .5in Pan, Black SMS, Phillips	34	C11567	3	Set Screw, .312 in
8	B00187	1	Cable Clamp, Nylon, .43 in.	35	K00662-750	2	Spacer, .75 in
9	G11557	1	Motor 115V	36	C00250	5	Lockwasher, .375, Split
10	B00177	2	Terminal Lug, Female, QD,	37	C11571	3	Hex Tap Bolt, 3-8 X .75 in
11	D11543	1	Handle Brace, Left	38	D11535	1	Washer, 1.75 in, Steel
12	H03545	1	Cover, Serial # Label	39	E11478	1	Bumper, 20 in Floor Machine
13	H10976-1	1	Label, UL STD 561-507	40	F11988	1	Pad, Hi Speed, 20 in
14	H00565-5	1	Label, Serial #, Standard	41	2004BR	1	Pad holder, 20 in, High Speed
15	C11568	4	Hex Bolt, .31- 18 X 2.5 in	42	C00262	4	Nut, .31-18, Hex
16	D11526	1	Frame, Motor, Black	43	C00251	4	Lockwasher, .31, Split
17	D11563	1	Axle, Handle	44	D11565	1	Bearing Plate, Lower
18	K00674	4	Bushing, .50 in, Nylon	45	D11486-B	1	Brush Cover, 20 in, Black
19	C00261	6	Nut, .25-20, Hex	46	K11521	4	Spacer, Base, Floor Machine
20	D11542	2	Tension Adjustment Bracket	47	G11531	2	Bearing
21	C00233	2	Washer, Flat, .25 in	48	D11533	1	Pulley, 3-1/8" w- Grooves
22	C00319	2	Hex Tap Bolt, 1/4 X 20 X 3.5	49	L11530	1	Belt
23	D11544	1	Handle Brace, Right	50	C11556	2	Wave Washer
24	C00252	6	Washer, .375 in, Flat	51	D11534	1	Shaft, 4.11 in
25	C11569-150	4	Hex screw, 3/8-16 X 1.5	52	D11566	1	Bearing Plate, Upper
26	K11561	14	Spacer, .25 lg, Nylon, Natural	53	C11574	1	Retaining Ring
27	C11559	12	Washer, .515 X .875 X .032	54	D11490B	1	Drip Cover, Black
28	G11943	4	Wheel, 5 in Saturn				



MR2000-220
7-28-16

BILL OF MATERIAL							
ITEM	PART #	QTY	DESCRIPTION	ITEM	PART #	QTY	DESCRIPTION
1	B02196	1	Light, Motor Carbon Brush Wear	29	C02305	4	Cap Nut, .5in Push-on
2	C11916	6	Screw, 10-32 X .375 Phillips	30	C11558	2	Locknut, .375-16
4	D11490B-H	1	Drip Cover, Black w- Hole for Green Light	31	D11562	1	Axle, Wheel
5	C00297	2	Screw,#8 X .25 in, Pan Head	32	C11555	2	Key, Motor, .187 in
6	D11545	1	Motor Screen	33	D11532	1	Pulley
7	C00293	1	#8 X .5in Pan, Black SMS, Phillips	34	C11567	3	Set Screw, .312 in
8	B00187	1	Cable Clamp, Nylon, .43 in.	35	K00662-750	2	Spacer, .75 in
9	G11744	1	Motor 220V	36	C00250	5	Lockwasher, .375, Split
10	B00177	2	Terminal Lug, Female, QD,	37	C11571	3	Hex Tap Bolt, 3-8 X .75 in
11	D11543	1	Handle Brace, Left	38	D11535	1	Washer, 1.75 in, Steel
12	H03545	1	Cover, Serial # Label	39	E11478	1	Bumper, 20 in Floor Machine
13	H10976-1	1	Label, UL STD 561-507	40	F11988	1	Pad, Hi Speed, 20 in
14	H00565-5	1	Label, Serial #, Standard	41	2004BR	1	Pad holder, 20 in, High Speed
15	C11568	4	Hex Bolt, .31- 18 X 2.5 in	42	C00262	4	Nut, .31-18, Hex
16	D11526	1	Frame, Motor, Black	43	C00251	4	Lockwasher, .31, Split
17	D11563	1	Axle, Handle	44	D11565	1	Bearing Plate, Lower
18	K00674	4	Bushing, .50 in, Nylon	45	D11486-B	1	Brush Cover, 20 in, Black
19	C00261	6	Nut, .25-20, Hex	46	K11521	4	Spacer, Base, Floor Machine
20	D11542	2	Tension Adjustment Bracket	47	G11531	2	Bearing
21	C00233	2	Washer, Flat, .25 in	48	D11533	1	Pulley, 3-1/8" w- Grooves
22	C00319	2	Hex Tap Bolt, 1-4 X 20 X 3.5	49	L11530	1	Belt
23	D11544	1	Handle Brace, Right	50	C11556	2	Wave Washer
24	C00252	6	Washer, .375 in, Flat	51	D11534	1	Shaft, 4.11 in
25	C11569-150	4	Hex screw, 3-8-16 X 1.5	52	D11566	1	Bearing Plate, Upper
26	K11561	14	Spacer, .25 lg, Nylon, Natural	53	C11574	1	Retaining Ring
27	C11559	12	Washer, .515 X .875 X .032	54	D11490B	1	Drip Cover, Black
28	G11943	4	Wheel, 5 in Saturn				



Minuteman International Made Simple Commercial Limited Warranty

REVISION O EFFECTIVE 4/1/2016

Minuteman International, Inc. warrants to the original purchaser/user that the product is free from defects in workmanship and materials under normal use. Minuteman will, at its option, repair or replace without charge, parts that fail under normal use and service when operated and maintained in accordance with the applicable operation and instruction manuals. All warranty claims must be submitted through and approved by factory authorized repair stations.

This warranty does not apply to normal wear, or to items whose life is dependent on their use and care, such as belts, cords, switches, hoses, rubber parts, electrical motor components or adjustments. Parts manufactured by Minuteman are covered by and subject to the warranties and/or guarantees of their manufacturers. Please contact Minuteman for procedures in warranty claims against these manufacturers.

Special warning to purchaser -- Use of replacement filters and/or pre-filters not manufactured by Minuteman or its designated licensees, will void all warranties expressed or implied. A potential health hazard exists without original equipment replacement.

All warranted items become the sole property of Minuteman or its original manufacturer, whichever the case may be.

Minuteman disclaims any implied warranty, including the warranty of merchantability and the warranty of fitness for a particular purpose. Minuteman assumes no responsibility for any special, incidental or consequential damages.

This limited warranty is applicable only in the U.S.A. and Canada, and is extended only to the original user/purchaser of this product. Customers outside the U.S.A. and Canada should contact their local distributor for export warranty policies. Minuteman is not responsible for costs or repairs performed by persons other than those specifically authorized by Minuteman. This warranty does not apply to damage from transportation, alterations by unauthorized persons, misuse or abuse of the equipment, use of non-compatible chemicals, or damage to property, or loss of income due to malfunctions of the product.

If a difficulty develops with this machine, you should contact the dealer from whom it was purchased.

This warranty gives you specific legal rights, and you may have other rights which vary from state to state. Some states do not allow the exclusion or limitation of special, incidental or consequential damages, or limitations on how long an implied warranty lasts, so the above exclusions and limitations may not apply to you.

Model	Parts	Labor	Poly	Travel**
Cord Electric Group	5yrs	3yrs	12yrs	90 days
Battery Operated Group	5yrs	3yrs	12yrs	90 days

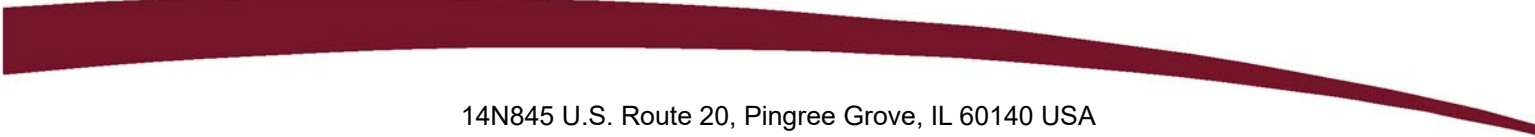
Exceptions.....

Model	Parts	Labor	Poly	Travel**
Port A Scrub, all models	1yr	6months	12yrs	90 days
A3S Blower	1yr	1yr	0	0
Phenom Dual Motor Upright Vacuums	2yrs	2yrs	0	0
Explosion Proof Vacuum	1yr	1yr	0	0
Propane Burnisher	1yr	1yr	0	90 days
**Travel, 2 hours max				

<i>Stand-alone Battery Chargers:</i>	One year
<i>Replacement Parts:</i>	Ninety days
<i>Batteries:</i>	0-3 months full replacement, 4-12 months pro-rate
<i>Polypropylene Plastic Tanks:</i>	12yr warranty, no additional labor

“Excellence Meets Clean”

**Minuteman is a Full Line Manufacturer of Sweepers and Scrubbers,
for Industrial Facilities.**



14N845 U.S. Route 20, Pingree Grove, IL 60140 USA
Phone (800) 323-9420 - www.minutemanintl.com
A Member of the Hako Group