



Electronic Service Manuals

This electronic document is provided as a service to our customers. We do not create the contents of the information contained in this document. Should you have detailed questions pertaining to the information contained in this document, you may contact Michco, or the manufacturer which provided the original information in this electronic deliverable. Michco's only part in this electronic deliverable was the electronic assembly process. By providing this manual on line we are not guaranteeing parts availability.

You may contact Michco through the following methods:

Phone (517) 484-9312 or (800) 331-3339

2011 N. High St. -- Lansing, Michigan -- 48906

Fax: (517) 484-9836

Email: CustServe@Michco.com

Web site: www.Michco.Com

Parts Web site: www.FloorMachineParts.Com

Order Parts on Line at:

www.FloorMachineParts.Com

Directly to Parts & Service:

By Email: **Shop@Michco.com**

By Fax: (517) 702-2041

By Voice: Use numbers above.

Serving the Cleaning Industry Since 1922

Notice: All copyrighted material remains property of original owners, all trademarks are property of respective owners. Manuals are subject to Manufacturer's reproduction limitations. Originals or reproductions were provided by manufacturers through a request. We make no warranty as to the correctness of information provided in this document and you assume all risk. By placing these manuals on line we are not declaring our corporation to be an manufacturer authorized dealer or provider, please check our web site for authorized manufacturers we represent.

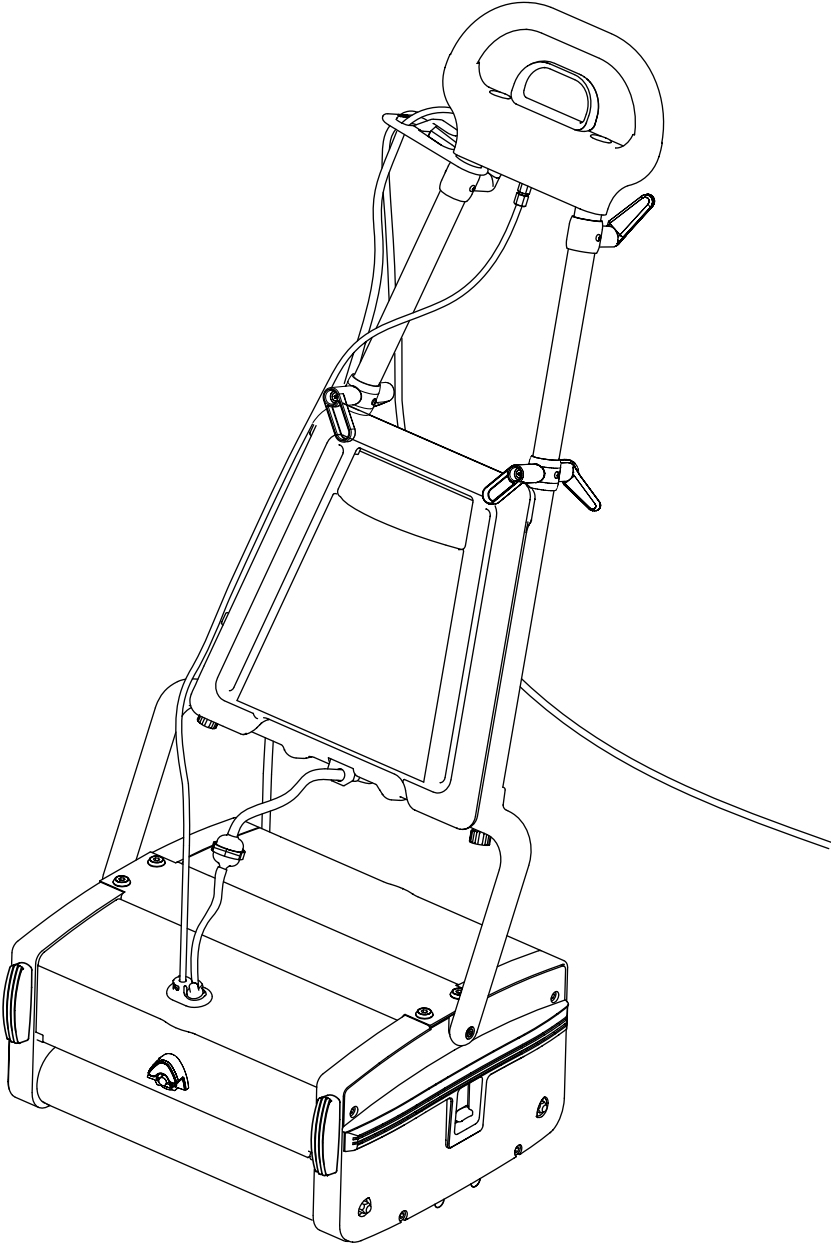
Minuteman[®]

M12110
M12230



Rev-D

Port A Scrub
Floor Scrubbing Machine



Contents

Instruction Manual

Product information.....	3
Important safety instructions.....	3
Technical specification.....	4
Know your machine.....	5
Working principle.....	5
Preparing for use.....	5
Assembly.....	6
Brush selection guide.....	6
Controls.....	7
Operating the machine.....	7,8
Electrical diagram.....	8
Accessories.....	9
Upkeep of your PORT A SCRUB.....	9

Spare Parts Manual

Housing - Drive Side.....	11
Housing-Idle Side.....	13,15
Pump housing.....	17
Lever and guide link mechanism.....	19
Handle group.....	21
Motor,drum and bridge assembly.....	23
Accessories.....	25

Instruction Manual

Product Information

The Minuteman **PORT A SCRUB** Machine is an ideal machine to clean floors in small and medium areas like offices, hospitals, restaurants, shopping complexes and many commercial applications. It sprays plain water / detergent solution, scrubs and picks up the dirty water - all in a single pass. The Port A Scrub has different optional brushes to suit a variety of applications. This machine can be used only on smooth even floors like Mosaic, all type of stone floors, PVC, Short-pile carpet, Wood and Profiled Rubber. It should not be used on rough uneven surfaces. .

Important Safety Instructions



Please read the following instructions completely before operating the machine. Any violation of the same will not only invalidate the warranty, but also may result in a safety hazard.

The machine must be unpacked and assembled in accordance with these instructions before connecting to the electrical supply.

This machine should always be connected to a fully grounded power supply of the right voltage and frequency.

Keep the power supply cord away from moving parts. During operation, hazard may occur when running machine over the supply cord.

The machine must be disconnected from the mains supply (by pulling the plug out) before changing the brushes, cleaning the machine and, for maintenance.

Warning! Use only the brushes/accessories strictly as per the instruction manual. Usage of any other brushes/accessories can cause safety problems.

Periodically inspect the cord for possible damage. The damaged cord must be replaced with the special cord available from the manufacturer or an authorized service agent.

DO NOT leave the machine connected to the power supply when not in use; always remove the plug from the mains socket.

DO NOT use where hazardous dust is present.

DO NOT use machine near flammable liquids.

DO NOT use in an explosive atmosphere.

DO NOT use in gradient surface.

DO NOT keep the machine with handle lowered, when the machine is in working mode.

Guidelines for the operator

Operators must be fully trained in accordance with these instructions, able to perform routine upkeep of the machine and correct selection of brushes.

Operators should be physically capable to maneuver transport and operate the machine.

DO NOT run the machine dry, as this could damage the floor surface or the machine itself.

Take adequate care to hold the machine firmly while installing and removing the brush.

Never use excessive foaming or highly corrosive cleaning solutions.

While operating on a flooded floor, always ensure that the water level does not exceed 1/4".

DO NOT operate this machine on rough uneven surface like industrial concrete floor.

Do not clean the machine using water jet.

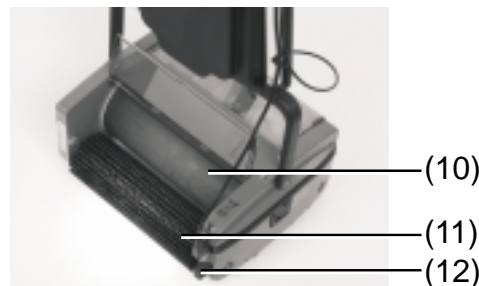
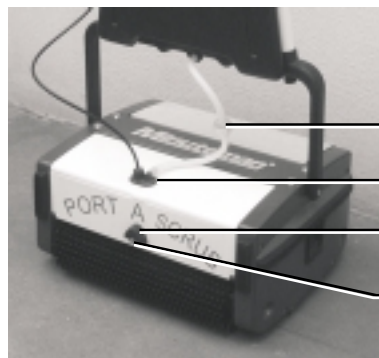
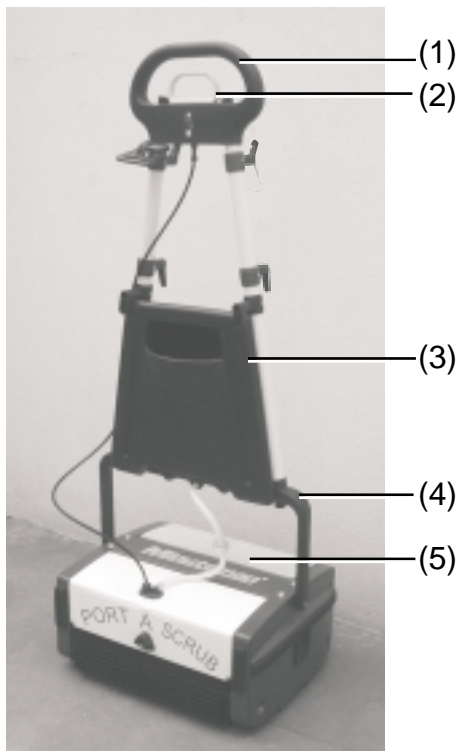
Ensure all parts are fitted properly before operation.

Technical Specification

Description	Units	Specification
Model	--	M12110
Mains supply	--	100-110 VAC±10% 60Hz, Single Phase
Power	W	750+26
Brush Speed	rpm	780
Cleaning Capacity	ft ² /hr	3,800
Cleaning width	inch	12.5
Fresh water tank capacity	gallon	1
<u>Overall dimensions</u>		
Height with handle	inch	43.75
Height without handle	inch	8.25
Width	inch	17.32
Length	inch	14.88
Weight	lbs	54

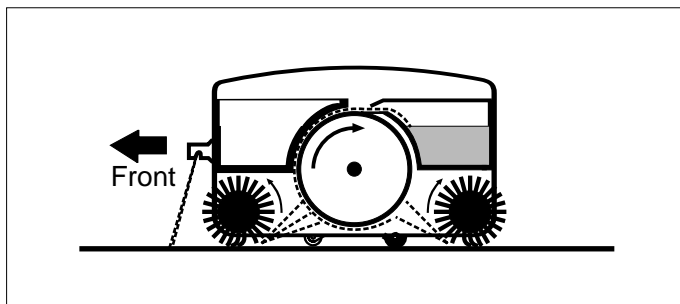
Description	Units	Specification
Model	--	M12230
Mains supply	--	230 VAC±10% 50Hz, Single Phase
Power	W	600+26
Brush Speed	rpm	650
Cleaning Capacity	ft ² /hr	3,800
Cleaning width	inch	12.5
Fresh water tank capacity	gallon	1
<u>Overall dimensions</u>		
Height with handle	inch	43.75
Height without handle	inch	8.25
Width	inch	17.32
Length	inch	14.88
Weight	lbs	54

Know your machine



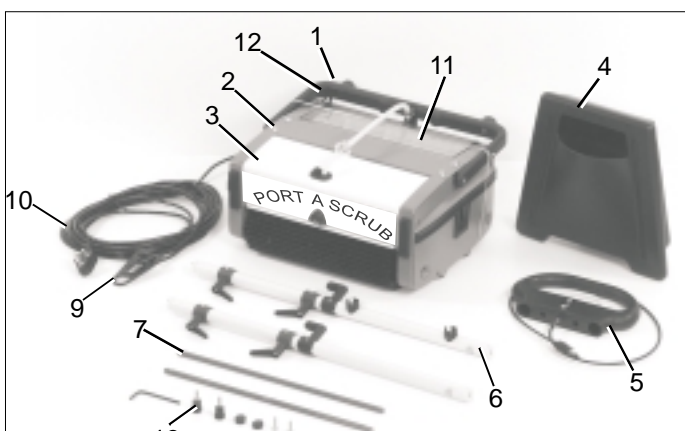
- (1) Top handle
- (2) Liquid discharge control
- (3) Tank
- (4) Bottom handle
- (5) Dirty water tank
- (6) Filter
- (7) Lid Cap
- (8) Boot
- (9) Nozzle
- (10) Conveyor drum
- (11) Brush
- (12) Pedal

Working Principle



1. Cleaning liquid in the fresh water tank is made to spray on the floor to be washed.
2. The counter rotating brushes scrubs the floor and also throws the dirty water on the Conveyor drum. The front brush does most of the scrubbing and drying. The rear brush completes the scrubbing and collects the remaining water off the floor.
3. A blade fitted to the dirty water tank wipes the drum.

Preparing for use



- 1. Bottom handle
- 2. Machine body
- 3. Pump Housing
- 4. Auxillary Tank
- 5. Top handle & pull cable
- 6. Handle LH & RH
- 7. Brush shafts (2)
- 8. Screws & washers
- 9. Cable retainer
- 10. Power cord
- 11. Dirty water tank
- 12. Hook
- 13. Knob

1. To save packing space and to ensure the safety of the machine during transporting, the PORT A SCRUB comes to you with its handle dismantled. Ensure that the listed parts are present as shown and identify them in order to understand the assembly instructions.
2. Remove the hook which holds the bottom handle with the machine body while holding the bottom handle.



Warning! Since the bottom handle is spring loaded, the casual removal of the hook may result in sudden springing back leading to possible injury to personnel.

Assembly



**RIGHT
BOTTOM
REAR**

**LEFT
BOTTOM
REAR**



1. Insert the two tubular handles into the bottom handle and secure them using knob (2 Nos) by tightening lightly. Ensure that the handles are assembled according to their marked position and the cable holding hooks are pointing towards the rear.
2. Slide the electric cable retainer into the top portion of RH handle.
3. Fit the top handle over the tubular handles and secure them with washer and screw (2 sets). Ensure that the label on the top handle is facing the front of the machine. Now tighten firmly both the knobs and screws alternately. Insert the dummy caps provided to cover the screws (2 nos) in the top handle.
4. Pass the free end of the pull cable through the plastic guide in RH Handle.
5. Fix the auxiliary tank firmly into the bottom handle by holding the top handle.
6. Rotate the knob to hold the auxiliary tank.
7. The brushes are only loosely packed in the machine for transit, therefore the brush shafts must be fitted before operating the machine. Push the shafts through the brushes from the side of the machine. To remove brushes, push the brush shaft out from the side of the machine using the fingers and withdraw the shaft. Normally standard brush type will be supplied with the machine. Brushes shall be selected according to the type of floor surface to be cleaned, and the degree of dirt to be removed, please refer Brush Selection Guide.
8. Now machine is ready for use.

Brush Selection Guide

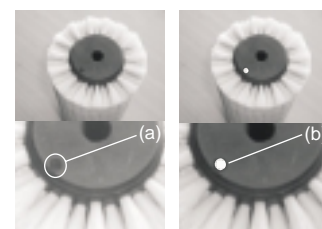
Type of floor	First time cleaning	Maintenance cleaning
All natural stone floors, Ceramic, Mosaic, Wood, Profiled rubber, Vinyl, PVC,	Standard	Soft
Short pile carpet	Soft	Soft
Marble Granite	Soft	Soft
Smooth concrete	Hard	Standard
Escalator	Escalator	Escalator
Others	To suit individual floor conditions	

Refer Page 25 for Brush Selection

Brush identification

This is applicable when the customer has more than one set of brushes of same type. Example : 2 or more sets of Standard Brush

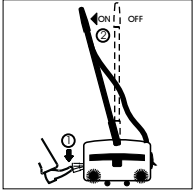
Customers may not interested to use same brushes in Bedroom / Kitchen / germ free area which is already been used in other areas like Corridor / Bathroom / Oil or chemical deposited areas. It is difficult for the customers to identify the particular brush which is used in certain area. To make this easy, Brush buttons of colors RED, BLUE, WHITE and YELLOW are packed with the machine. Customers shall plug the buttons on the hole provided in the brush as shown. This helps the customer to identify the particular brush by keeping the button (color) as reference.



(a) Hole provided for plugging button.
(b) Brush with button plugged.

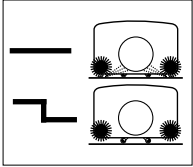
Controls

On/Off Control



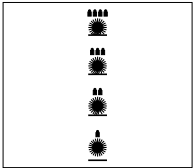
By pressing the pedal lightly with your foot, pull back the handle a little to start the motor. The brushes and the drum starts rotating. Pulling the handle further without pressing the pedal, lowers the machine and engages the rotating brushes onto the floor. To stop working, take the handle to the vertical position.

Transport/Working Model Control



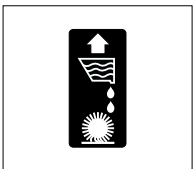
Slide this knob to TOP position to operate the machine. Slide this knob to BOTTOM position to move the machine from one place to other place and to park the machine. By keeping the knob to top position (working mode) and moving the machine will damage the brushes.

Brush Contact Control



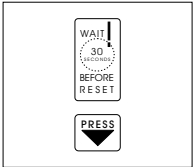
Brush contact with the floor is adjustable in 4 steps, contact is MINIMUM when the knob is fully down and MAXIMUM when it is fully raised. This helps you to compensate for the wear of brushes and also to control the scrubbing effect. If there is no machine movement, when the handle lower down fully (working mode), change the knob position to one step up.

Cleaning Liquid Discharge Control



By pulling, the liquid discharge control handle up, the cleaning liquid is made to spray on the floor. The spraying stops once the liquid discharge control handle is released.

Motor Overload Protector



In the event of motor getting overloaded due to improper power supply or unexpected obstruction to the brush/drum rotation, the over load protector trips and protects the motor from damage. If this happens, identify the cause, correct it and, reset the protector button after minimum 30 seconds from tripping by pressing the over load protector manually and continue working.



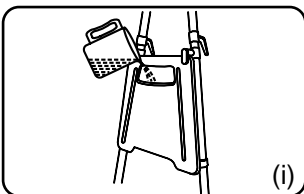
Warning! should the machine fail to operate, contact the supplier from whom you purchased the machine.

Operating the machine

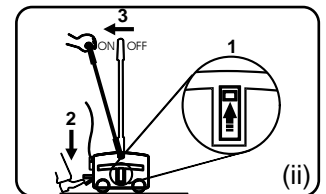
Before the washing operation starts



Warning! Precleaning of floor is must before using the PORT A SCRUB.

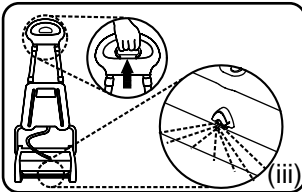


1. Fill cleaning liquid in fresh water tank (Fig-i)
2. Insert the plug into mains 3-pin socket.
3. Ensure that the brushes are fitted properly.
4. Slide the transport/working mode control knob to TOP (working) position (Fig-ii).



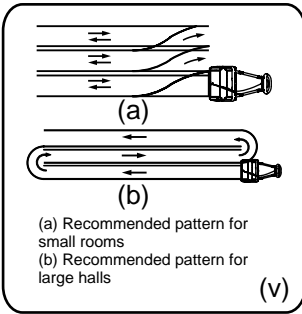
Recommended washing sequence

1. Start the machine by pressing the pedal and pulling the handle back.
2. Move forward, while sparingly pulling the liquid discharge control handle (Fig-iii). This handle should not be kept pulled all the time. The duration and frequency of pulling and releasing has to be adjusted suitable to match with the type of floor, extent of dirt. etc. For ceramic & granite floors, apply very little water.

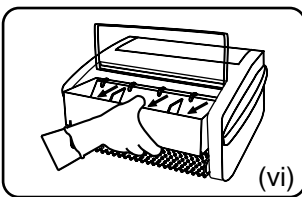


3. Stop the liquid discharge approximately one foot before the end of forward motion. continue to move forward up to the wall without pulling the pull handle .

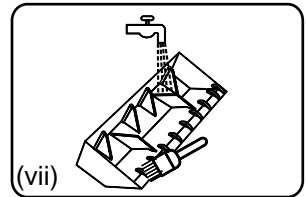
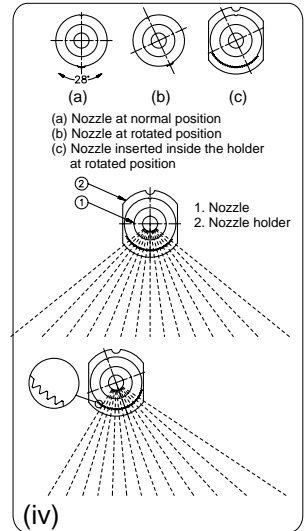
Spray angle / area can be controlled by the user according to their requirements. It also prevents water / solutions sprayed in the cleaned area. Spray angle of the solution is made to adjust using the serrations provided in the nozzle and the nozzle holder. Nozzle can be rotated about 28 degrees either clockwise or counter clockwise @ the increment of 4 degree (Fig-i v).



4. Pull the machine backwards in the same track, but without discharging any liquid. When you are reaching the starting point, change the track and repeat steps 2 through 4. When you are changing the track allow some overlap with the cleaned area. In case of large halls take a U-turn and move forward. If quick drying is desired, move on the same track, without discharging the liquid (Fig-v)



5. When the dirty water tank is full, lift and pull the tank out of the machine (Fig vi). Empty the tank and wash it in running water or dip it in a bucket of water (Fig-vii). Clean the blades and push the tank into its place.

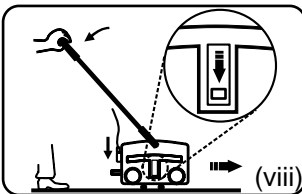


Warning! Avoid touching the sharp edge of dirty water tank. it may cause injury to hands.

Care of the machine



Warning! Before undertaking the cleaning operations switch off the machine and unplug from the electrical supply.



1. Move the Transport / Working mode control knob to BOTTOM (Transport) position (Fig-viii).

2. Disconnect the power supply by unplugging the electrical plug and wind the cable over cable holders in the handle.

3. Pull out the dirty water tank and wash it completely.

4. To prevent possible clogging of filter, drain cleaning liquid

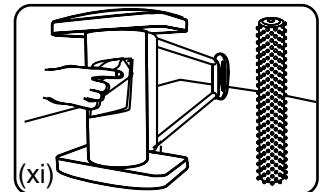
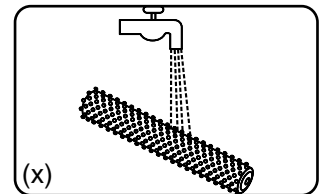
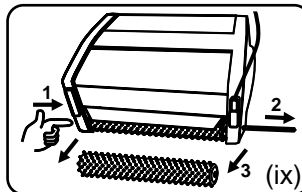
5. Remove the brushes by pushing the brush shaft out (Fig-ix).

6. Wash the brushes either by dipping in a bucket/sink or in running water (Fig-x).

7. Turn the machine sideways and wipe clean the conveyor and machine body with a damp cloth (Fig-xi).

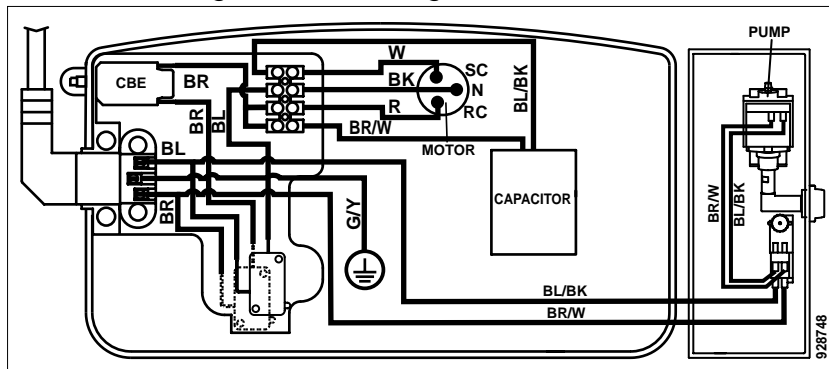
8. Re-install the brushes after washing. It is easier to push the brush shaft from the right hand side (identified by the electrical cable).

9. Keep the machine in the safer place.



Electrical Diagram

Abbreviations given in the diagram as listed:



Abbreviation/ Symbol	Description
CBE	Circuit Breaker
BR	Brown
BL	Blue
W	White
BK	Black
R	Red
G/Y	Green / Yellow
SC	Starting coil
RC	Running coil
N	Normal
	Ground



Warning! Any service or attempt to service by persons other than authorised servicing agent is not recommended.

Accessories

Transporter



The simply fitted trolley provides for ease of movement when transporting the machine.

Installing the Transporter

1. With the machine handle in the upright position place the transporter centrally alongside the machine.
2. By holding the machine firmly, strap the velcro with the machine to fix the transporter.
3. Ensure that the velcro strap properly wrapped around the bottom handle.
4. Now the transporter is ready to use. The machine can then be maneuvered easily whilst holding the top handle.



Warning! Empty all liquid from the machine before using the transporter.

Side Brush



To wash the edges, the side brush shall be used. Switch off and unplug the machine before fitting the side brush.

Fitting the side brush

1. Remove the front brush and brush shaft.
2. Fix the shield assembly and screw it into the side plate and tighten.
3. Insert the side brush through the shield and main brush.

Using the side brush

1. Tilt the machine at an angle move forward. This way, the dirty water thrown by the side brush will be collected by the rear brush.
2. Use side brush only for washing the edges.



Warning! Do not use side brush in a room with no wall skirting, otherwise, the wall will get dirty.

Upkeep of your PORT A SCRUB

To get the maximum life of the machine ensure the following.

Supply cord

Regularly inspect sheath, plug and cord anchorage for damage or loose connection.

Brushes

For maximum life wash the brushes regularly. Ensure machine is in Transport mode when not in use. Store additional brushes in a vertical position to avoid bending of bristles. Check for permanent bending of bristles in a particular direction. This may occur if the machine is operated for several days without removing the brushes, which is not recommended. If this occurs, reverse the brush so that the bent bristles are automatically straightened.

Wiper Blade

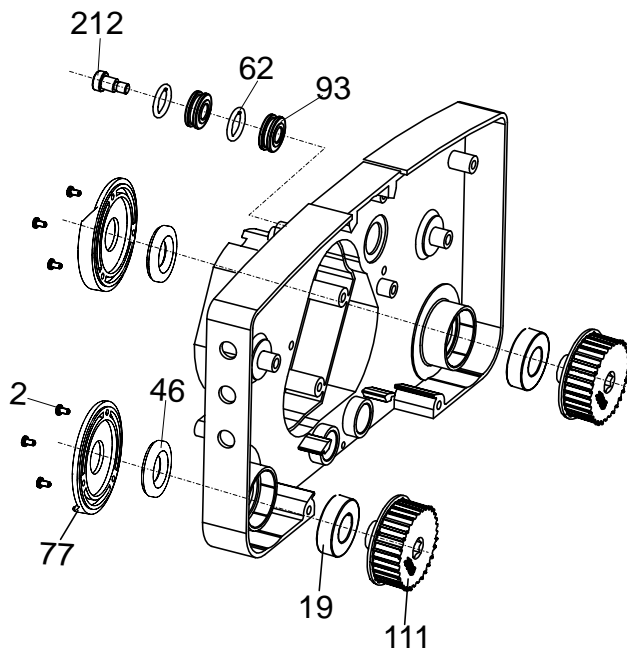
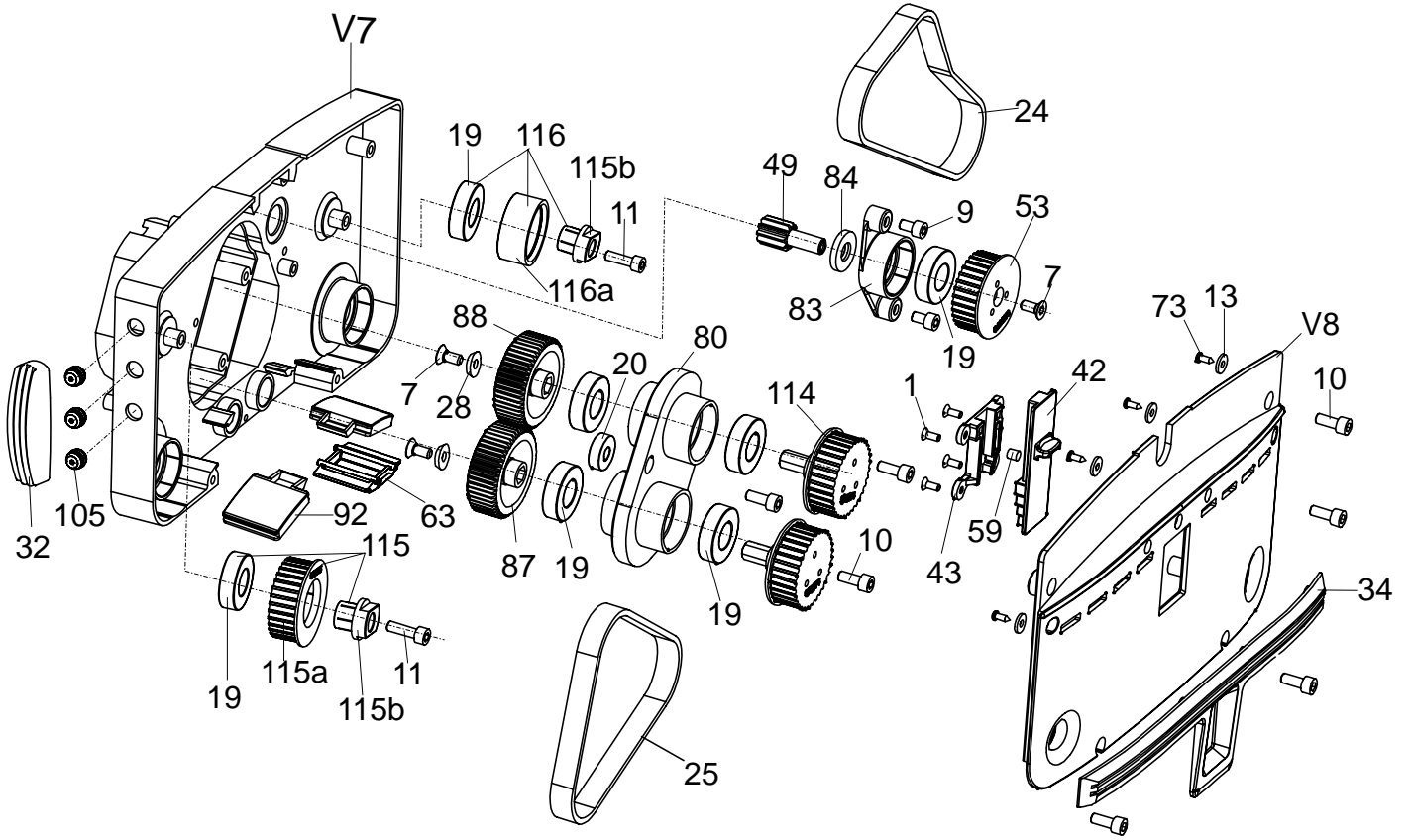
This may wear out after years of use. If this occurs the water collection performance will decrease. It should be replaced by an authorized Service Agent.

Solution feed filter

The filter prevents clogging of the spray nozzle and should be periodically cleaned. Use pressurized air/water for cleaning.

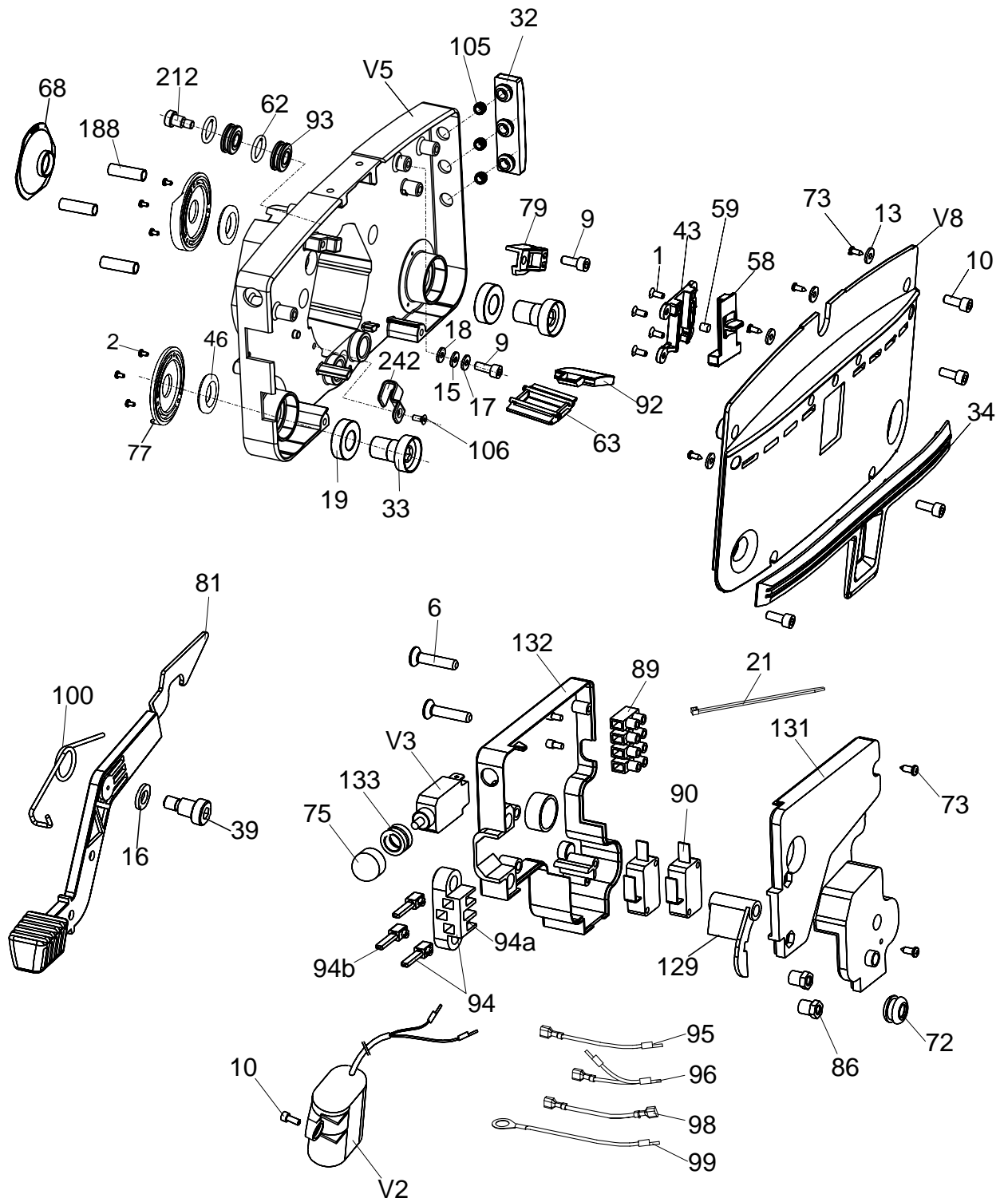
Nozzle maintenance

If the spray of the nozzle become blocked, slide the nozzle cover off and remove nozzle wash in clean water and clean using a pin and refit.



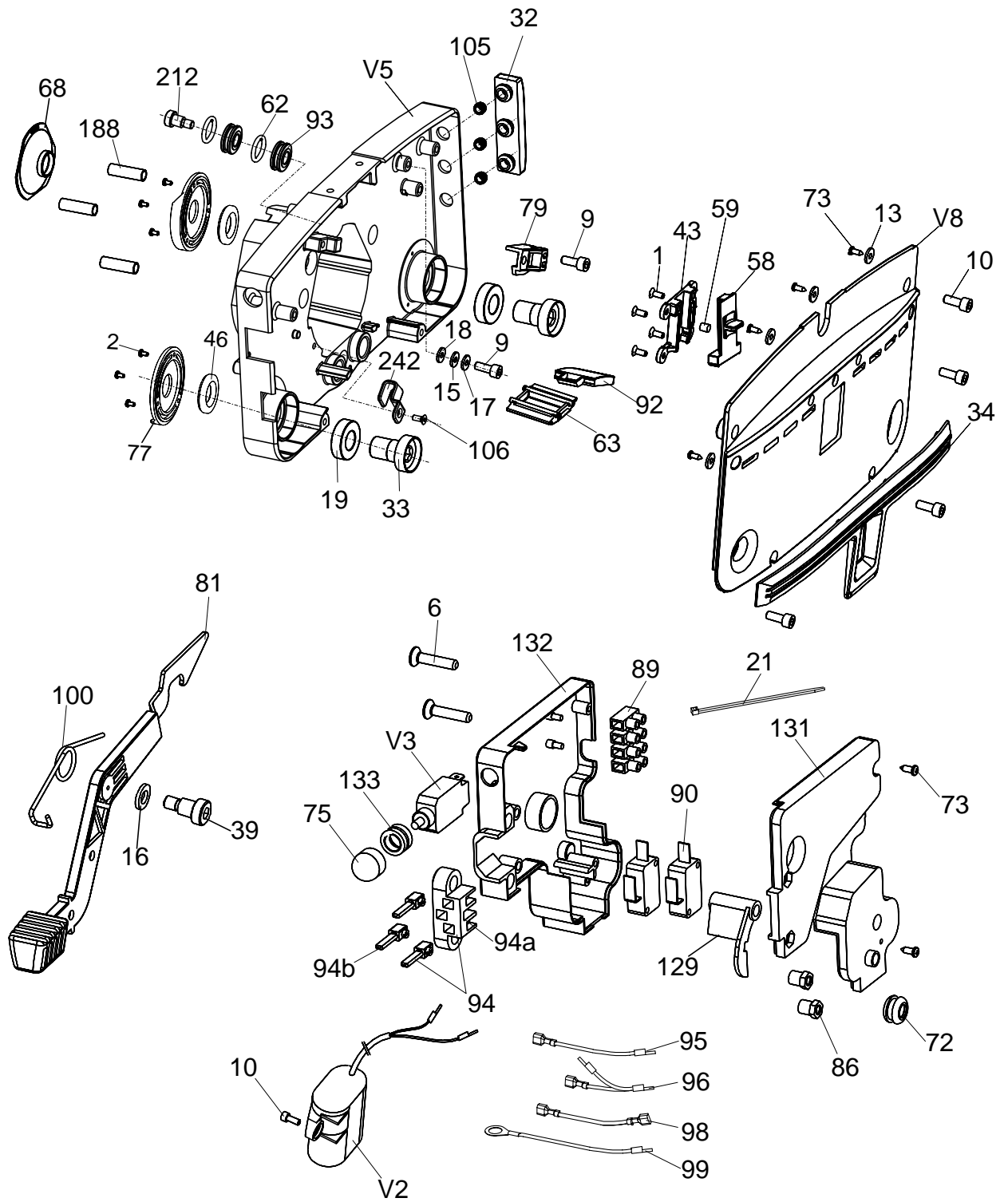
Housing-Drive Side

Ref. No	Part No	Description	Size	Qty
1	925032	CSK SCREW	M4x10	4
2	925003	CRPH SCREW	M3x6	6
7	925051	CSK SCREW	M6x14	3
9	925114	ALLEN SCREW	M6x10	2
10	925027	ALLEN SCREW	M6x16	7
11	925031	ALLEN SCREW	M6x20	2
13	925033	WASHER	4.2x12x1.6	4
19	925056	BEARING	6003 2RS	9
20	925062	BEARING	608 2Z	1
24	925001	BELT	500 5 M	1
25	925002	BELT	425 5 M	1
28	925012	WASHER		2
32	925018	BUMPER		1
34	925026	BUMPER		1
42	925047	BRUSH SLIDER		1
43	925048	SLIDER HOUSING		1
46	925054	SEAL		2
49	925064	PINION		1
53	925073	DRUM SPROCKET		1
59	925092	PIN		1
62	925099	O' RING		2
63	925102	SHIELD		1
73	925186	SELF TAPPING SCREW		4
77	925130	CAP		2
80	925227	GEAR HOUSING		1
83	925181	HOUSING SPROCKET		1
84	925182	SEAL		1
87	925193	GEAR – LH		1
88	925194	GEAR - RH		1
92	925219	SHIELD		2
93	925220	ROLLER		2
105	925249	BUMPER SLEEVE		3
111	925804	BRUSH SPROCKET		2
114	925813	GEAR SPROCKET		2
115	925815	IDLER ASSY		1
115a	925075	SPROCKET		1
115b	925046	HUB		2
116	925816	IDLER ASSY		1
116a	925061	SLEEVE		1
212	925221	STUB AXLE		1
V7	925150	DRIVE HOUSING		1
V8	925319	COVER		1



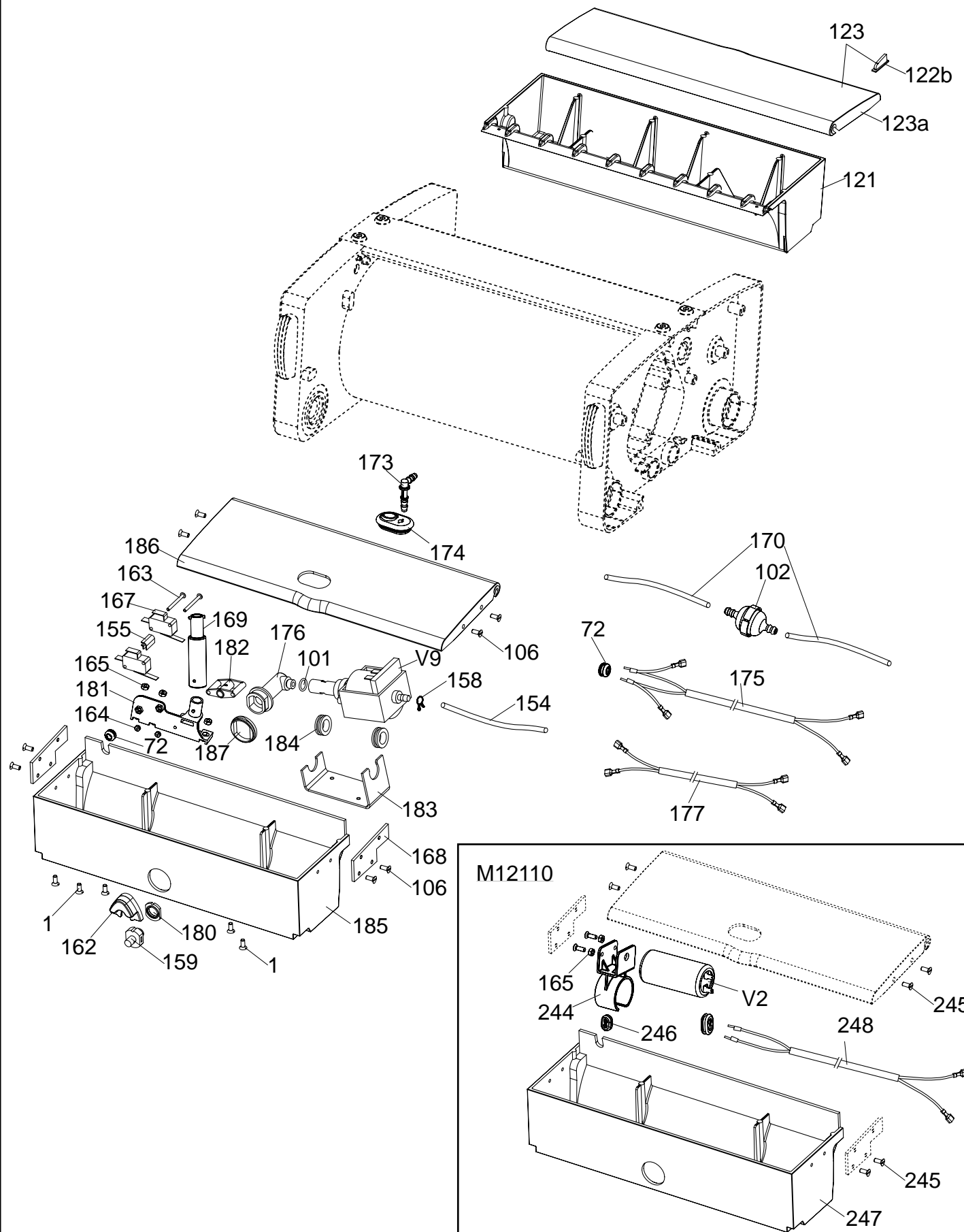
Housing-Idle Side

Ref. No	Part No	Description	Size	Qty
1	925032	CSK SCREW	M4x10	4
2	925003	CRPH SCREW	M3x6	6
6	925039	CSK SCREW	M5x25	2
9	925114	ALLEN SCREW	M6x10	2
10	925027	ALLEN SCREW	M6x16	5
13	925033	WASHER	4.2x12x1.6	4
15	925100	WASHER	6.4x12x1.6	1
16	925151	WASHER	9x17x1.6	1
17	925110	SPRING WASHER	M6	1
18	925059	TOOTHED WASHER	M6	1
19	925056	BEARING	6003 2RS	2
21	925063	WIRE TIE		3
32	925018	BUMPER		1
33	925019	BUSH		2
34	925026	BUMPER		1
39	925040	STUB AXLE		1
43	925048	SLIDER HOUSING		1
46	925054	SEAL		2
58	925083	TRANSPORT SLIDER		1
59	925092	PIN		1
62	925099	O' RING		2
63	925102	SHIELD		1
68	925109	FAN COVER		1
72	925116	GROMMET		2
73	925186	SELF TAPPING SCREW		6
75	925124	CAP		1
77	925130	CAP		2
79	925147	STOPPER		1
81	925500	PEDAL		1
86	925192	NUT		2
89	925199	CONNECTOR		1
90	925200	SWITCH		2
92	925219	SHIELD		2
93	925220	ROLLER		2
94	925529	SOCKET ASSY		1
94a	925074	SOCKET		1
94b	925076	TERMINAL		3
95	925501	CABLE		1
96	925502	CABLE		1
98	925504	CABLE		1
99	925505	CABLE		1



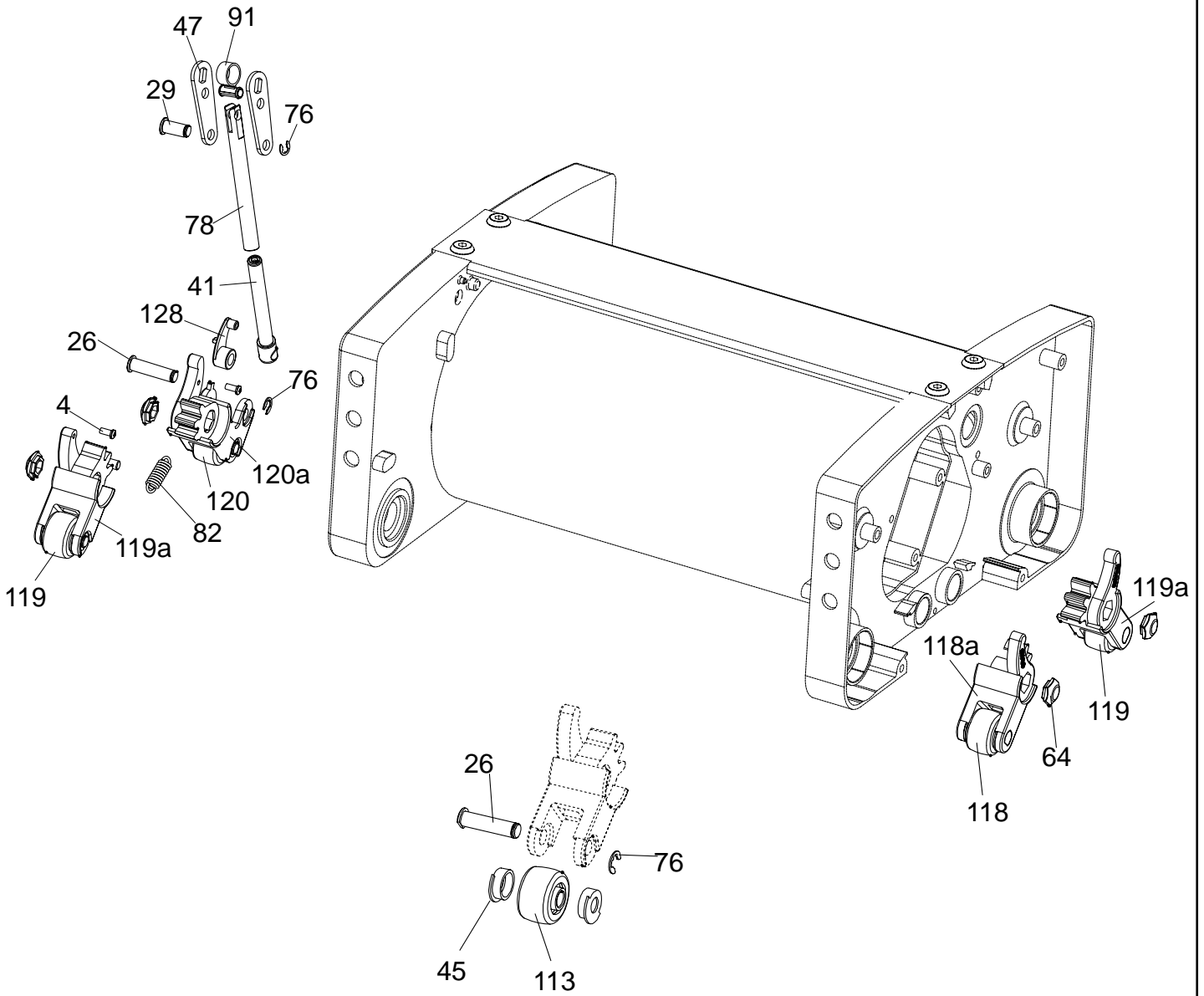
Housing-Idle Side

Ref. No	Part No	Description	Size	Qty
100	925152	SPRING-PEDAL		1
105	925249	BUMPER SLEEVE		3
106	925161	CSK SCREW	M4x8	1
129	925015	LEVER SWITCH ACT		1
131	925041	INSULATION TOP		1
132	925044	INSULATION BOTTOM		1
133	925101	NUT		1
188	925207	SLEEVE TIE ROD		3
212	925221	STUB AXLE		1
242	925347	CLAMP WIRE		1
V2	925534	CAPACITOR (M12230)		1
V3	925173	CIRCUIT BREAKER (M12110)		1
	925166	CIRCUIT BREAKER (M12230)		1
V5	925153	IDLE HOUSING (M12110)		1
	925154	IDLE HOUSING (M12230)		1
V8	925319	COVER		1



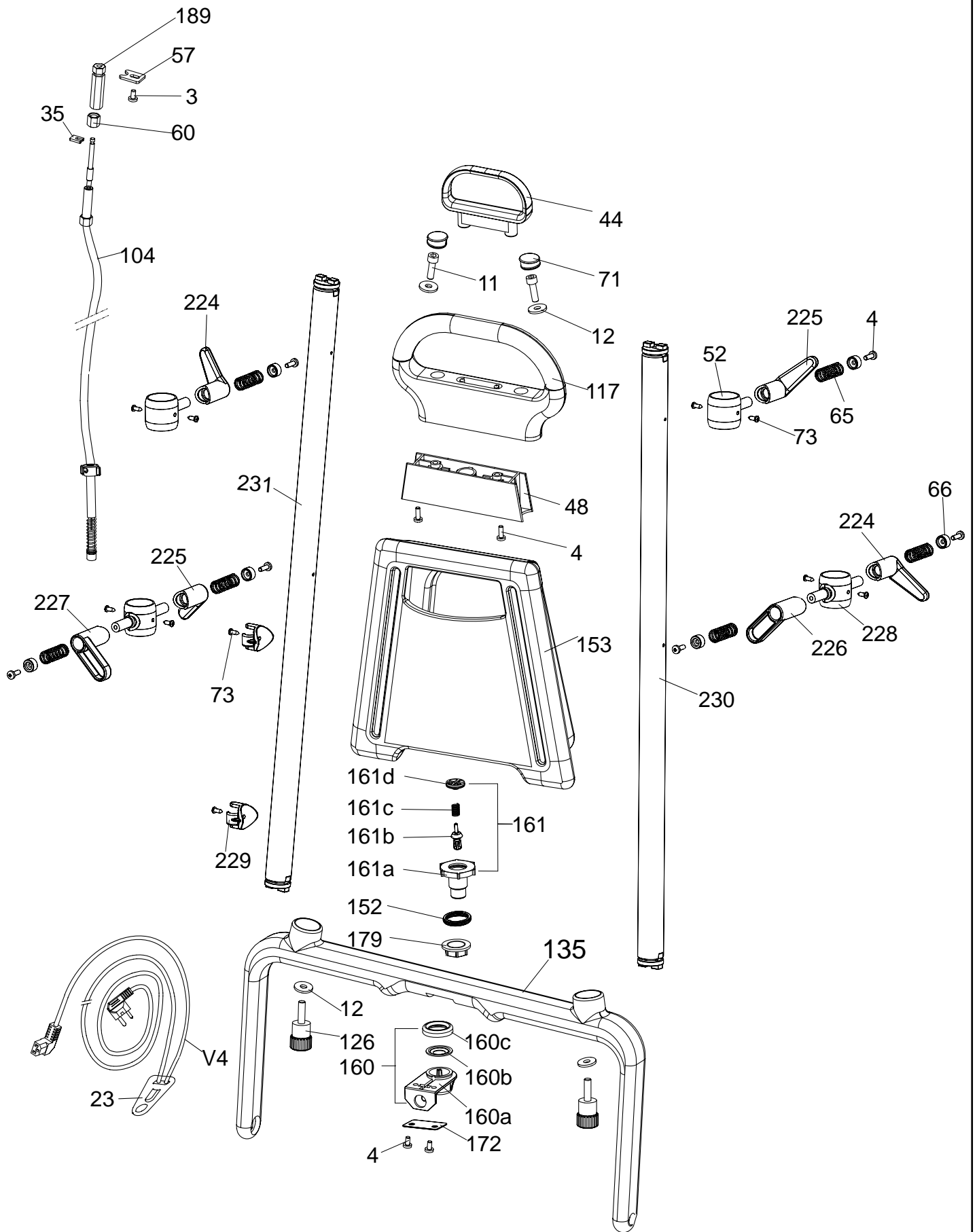
Pump Housing

Ref. No	Part No	Description	Size	Qty
1	925032	CSK SCREW	M4x10	5
72	925116	GROMMET		2
101	925160	O-RING-PUMP		1
102	925077	FILTER		1
106	925161	CSK SCREW	M4x8	8
121	925832	DIRTY WATER TANK		1
122b	925162	LID PAD		2
123	925836	LID-DIRTY WATER		1
123a	925132	LID-DIRTY WATER		1
154	925128	HOSE-275(10.8)		1
155	925163	INSULATION		1
158	925164	HOSE CLIP		1
159	925165	NOZZLE		1
162	925167	BOOT		1
163	925168	SCREW	M3X30	2
164	925169	HEX NUT	M3	2
165	925170	HEX NUT	M4	3
167	925187	SWITCH		2
168	925204	STRIP LID		2
169	925224	EXTENSION BUSH		1
170	925233	HOSE-165(6.5)		2
173	925261	HOSE CONNECTOR		1
174	925262	BOOT-LID		1
175	925506	CABLE		1
176	925511	ADAPTOR NOZZLE		1
177	925573	CABLE		1
180	925171	SEAL NOZZLE		1
181	925173	BASE SWITCH		1
182	925174	LEVER		1
183	925175	CLAMP		1
184	925176	SUPPORT RING		2
185	925177	PUMP HOUSING		1
186	925178	LID		1
187	925179	SPACER		1
V9	925210	PUMP (M12230)		1
<u>for M12110</u>				
165	925170	HEX NUT	M4	2
244	925011	CLAMP CAPACITOR (M12110)		1
245	925013	CSK SCREW	M4x12	8
246	925016	GROMMET (M12110)		2
247	925020	PUMP HOUSING (M12110)		1
248	925021	CABLE (M12110)		1
V2	925536	CAPACITOR (M12110)		1
V9	925203	PUMP (M12110)		1



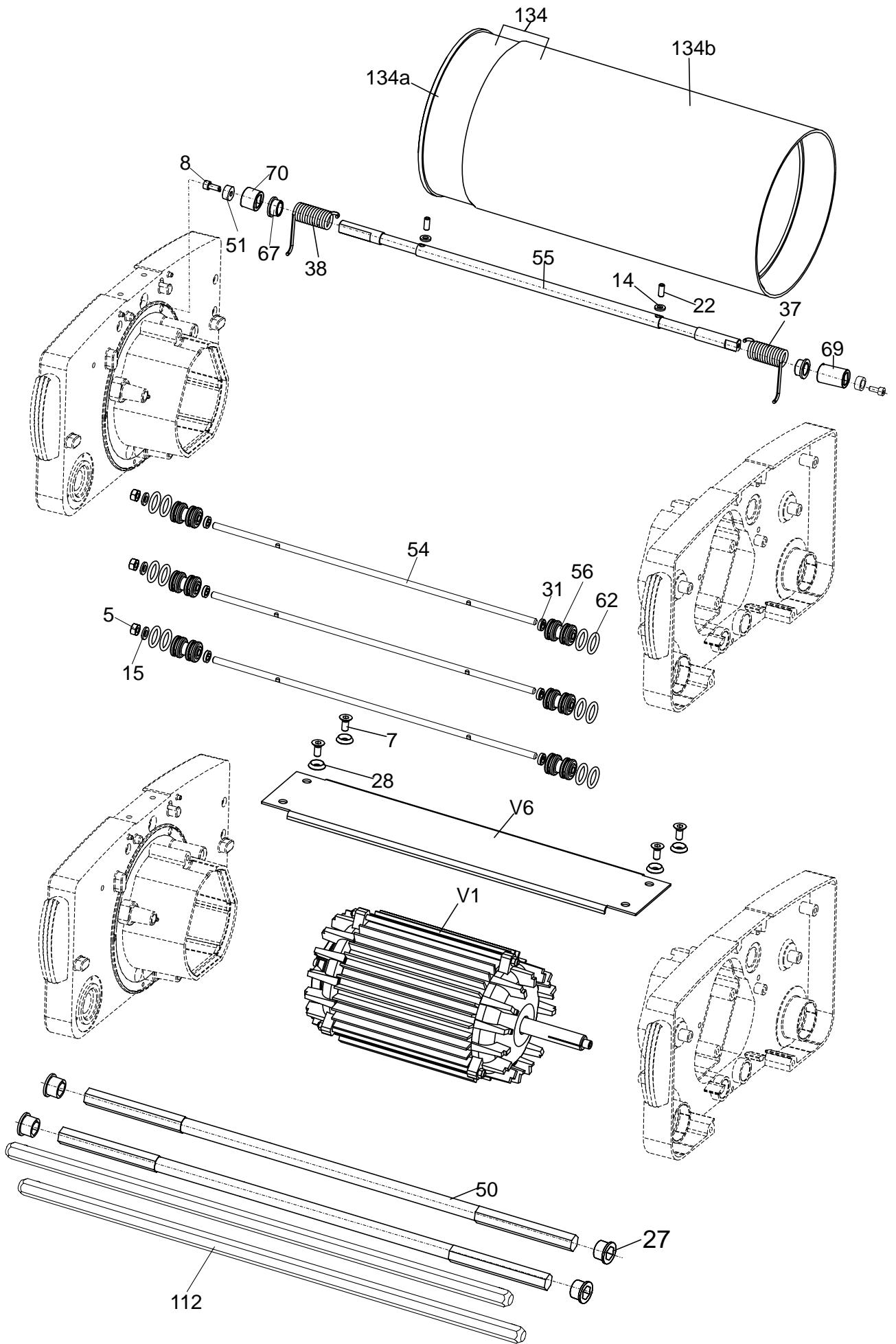
Lever and Guide Link Mechanism

Ref. No	Part No	Description	Size	Qty
4	925104	CRPH SCREW	M4x12	2
26	925008	CLEVIS PIN		5
29	925014	CLEVIS PIN		1
41	925043	LINK		1
45	925053	SHIELD		8
47	925055	LEVER		2
64	925105	LEVER BUTTON		4
76	925129	CIRCLIP		6
78	925139	LINK GUIDE		1
82	925180	SPRING		1
91	925212	BUSH		1
113	925810	WHEEL		4
118	925822	LEVER ASSY		1
118a	925085	LEVER		1
119	925823	LEVER ASSY		2
119a	925086	LEVER		2
120	925824	LEVER ASSY		1
120a	925087	LEVER		1
128	925050	LEVER SWITCH		1



Handle Group

Ref. No	Part No	Description	Size	Qty
3	925058	CRPH SCREW	M4x8	1
4	925104	CRPH SCREW	M4x12	10
11	925031	ALLEN SCREW	M6x20	2
12	925088	WASHER	6.4x18x2	4
23	925098	CABLE RETAINER		1
35	925028	CLAMP		1
44	925049	PULL HANDLE		1
48	925057	CAP		1
52	925069	BASE-CABLE HOLDER		2
57	925082	CLAMP		1
60	925096	NUT		1
65	925106	SPRING		6
66	925107	WASHER		6
71	925115	PLUG		2
73	925186	SELF TAPPING SCREW		10
104	925184	PULL CABLE-P		1
117	925818	TOP HANDLE		1
126	925103	KNOB		2
135	925089	BOTTOM HANDLE		1
152	925127	GASKET		1
153	925111	TANK-4I		1
160	925117	BASE VALVE		1
160a	925118	BASE		1
160b	925119	SEAL		1
160c	925120	CAP-VALVE		1
161	925135	VALVE		1
161a	925122	BODY-VALVE		1
161b	925540	SEAL		1
161c	925123	SPRING		1
161d	925125	CAP-SPRING		1
172	925260	PLATE		1
179	925126	NUT		1
189	925274	SLEEVE		1
224	925305	KNOB-CABLE HOLDER-II		2
225	925306	KNOB-CABLE HOLDER-I		2
226	925307	KNOB-TANK HOLDER-LH		1
227	925308	KNOB-TANK HOLDER-RH		1
228	925339	BASE-CABLE AND TANK HOLDER		2
229	925340	GUIDE		1
230	928633	PIPE-LH		1
231	928634	PIPE-RH		1
V4	925922	POWER CORD		1

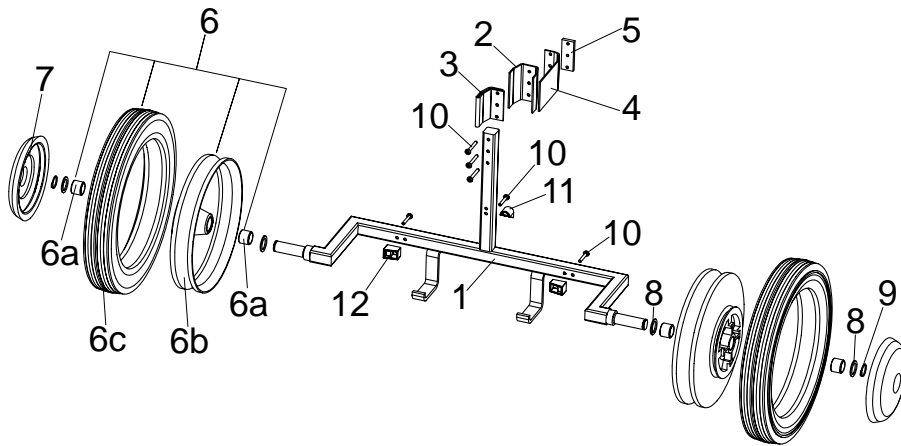


Motor, Drum and Bridge Assembly

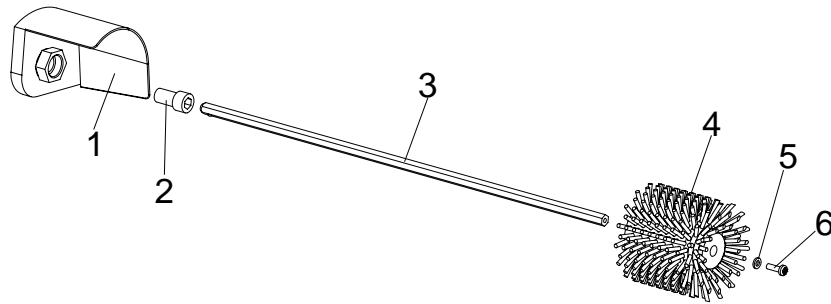
Ref. No	Part No	Description	Size	Qty
5	925136	HEX NUT	M6	3
7	925051	CSK SCREW	M6x14	4
8	925090	ALLEN SCREW	M4x10	2
14	925080	WASHER	5.2x10x1.6	2
15	925100	WASHER	6.4x12x1.6	3
22	925084	GRUB SCREW	M5x12	2
27	925009	BUSH		4
28	925012	WASHER		4
31	925017	WASHER		6
37	925037	SPRING		1
38	925038	SPRING		1
50	925065	HEX SHAFT		2
51	925068	WASHER		2
54	925078	TIE ROD		3
55	925079	SHAFT		1
56	925081	ROLLER		6
62	925099	O' RING		12
67	925108	BUSH		2
69	925112	BUSH		1
70	925113	BUSH		1
112	925808	BRUSH SHAFT		2
134	925067	DRUM ASSY		1
134a	925070	DRUM		1
134b	925071	DRUM SLEEVE		1
V1	925762	MOTOR (M12110)		1
	925761	MOTOR (M12230)		1
V6	928548	BRIDGE		1

Accessories

Transporter



Side Brush Assy



Accessories

925904-TRANSPORTER

SL NO	PART NO	DESCRIPTION	QTY
1	925881	FRAME	1
2	925155	CLAMP	1
3	925156	FIXED STRIP (VELCRO)	1
4	925157	FLEXIBLE STRIP(VELCRO)	1
5	925158	PLATE	1
6	925137	TYRE	2
6a	925138	BUSH-WHEEL RIM	4
6b	925140	WHEEL RIM	2
6c	925141	TYRE-MAIN WHEEL	2
7	925159	CAP WHEEL	2
8	925142	WASHER	4
9	925143	CIRCLIP A17x1	2
10	925144	CRPH SCREW M4x25	6
11	925878	STOPPER TOP	1
12	925879	STOPPER BOTTOM	2

SIDE BRUSH ASSY

925907

925927

SL. NO	DESCRIPTION	STANDARD	ESCALATOR	QTY
1	SHIELD	925766	925766	1
2	BUSH	925172	925172	1
3	SHAFT	925764	925764	1
4	SIDE BRUSH	925855	925595	1
5	WASHER	925145	925145	1
6	ALLEN SCREW M5x20	925146	925146	1

BRUSH

SL NO	PART NO	DESCRIPTION
1	925901	BRUSH-STD
2	925902	BRUSH-POLISHING
3	925903	BRUSH-SCRUBBING
4	925908	BRUSH-ESCALATOR

Note: Since the companies policy is to continuously improve the product, these could be changed without prior notice.

LIMITED WARRANTY

Minuteman International, Inc. warrants to the original purchaser/user that this product is free from defects in workmanship and materials under normal use and service for a period of one year from date of purchase. In addition, Minuteman International, Inc will, at its option, honor labor warranty claims for the first 6 months from date of sale, provided such claims are submitted through and approved by factory authorized repair stations. Minuteman International, Inc will, at its option, repair or replace without charge, except for transportation costs, parts that fail under normal use and service when operated and maintained in accordance with the applicable operation and instruction manuals.

This warranty does not apply to normal wear, or to items whose life is dependent on their use and care, such as belts, cords, switches, hoses, rubber parts, electrical motor components or adjustments. Parts not manufactured by Minuteman International, Inc such as engines, batteries, battery chargers, hydraulic pumps, and tires are covered by and subject to the warranties and/or guarantees of their manufacturers. Please contact Minuteman International, Inc for procedures in warranty claims against these manufacturers.

Special warning to purchaser - Use of replacement filters and / or pre-filters not manufactured by Minuteman International, Inc. or its designated licensees will void all warranties expressed or implied.

A potential health hazard exists without exact original equipment replacement.

All warranted items become the sole property of Minuteman International, Inc. or its original manufacturer, whichever the case may be.

Minuteman International, Inc. disclaims any implied warranty, including the warranty of merchantability and the warranty of fitness for a particular purpose. Minuteman International Inc. assumes no responsibility for any special, incidental or consequential damages.

This limited warranty is applicable only on the U.S.A. and Canada, and is extended only to the original user / purchaser of this product. Customers outside the U. S. A and Canada should contact their local distributor for export warranty policies. Minuteman International Inc. is not responsible for costs or repairs performed by persons other than those specifically authorized by Minuteman International, Inc. This warranty does not apply to damage from transportation, alterations by unauthorized person, misuse or abuse of the equipment, use of non-compatible chemicals, or damage to property, or loss of income due to malfunctions of the product.

If a difficulty develops with this machine, you should contact the dealer from whom it was purchased.

This warranty gives you specific legal rights, and you may have other rights, which vary from state to state. Some states do not allow the exclusion of limitation of special, incidental or consequential damages, or limitations on how long an implied warranty lasts, so the above exclusions and limitations may not apply to you.

Minuteman[®]

World Headquarters
Minuteman International, Inc.
111 South Rohlwing Road
Addison, Illinois 60101

Minuteman Canada, Inc.
2210 Drew Road,
Mississauga, Ontario
L5S 1B1

(630) 627-6900
FAX (630) 627-1130

(905) 673-3222
FAX (905) 673-5161

928747
Printed in U.S.A