



## Electronic Service Manuals

This electronic document is provided as a service to our customers. We do not create the contents of the information contained in this document. Should you have detailed questions pertaining to the information contained in this document, you may contact Michco, or the manufacturer which provided the original information in this electronic deliverable. Michco's only part in this electronic deliverable was the electronic assembly process. By providing this manual on line we are not guaranteeing parts availability.

You may contact Michco through the following methods:

Phone (517) 484-9312 or (800) 331-3339

2011 N. High St. -- Lansing, Michigan -- 48906

Fax: (517) 484-9836

Email: [CustServe@Michco.com](mailto:CustServe@Michco.com)

Web site: [www.Michco.Com](http://www.Michco.Com)

Parts Web site: [www.FloorMachineParts.Com](http://www.FloorMachineParts.Com)

Order Parts on Line at:

**[www.FloorMachineParts.Com](http://www.FloorMachineParts.Com)**

Directly to Parts & Service:

By Email: **[Shop@Michco.com](mailto:Shop@Michco.com)**

By Fax: (517) 702-2041

By Voice: Use numbers above.

**Serving the Cleaning Industry Since 1922**

Notice: All copyrighted material remains property of original owners, all trademarks are property of respective owners. Manuals are subject to Manufacturer's reproduction limitations. Originals or reproductions were provided by manufacturers through a request. We make no warranty as to the correctness of information provided in this document and you assume all risk. By placing these manuals on line we are not declaring our corporation to be an manufacturer authorized dealer or provider, please check our web site for authorized manufacturers we represent.



**Parts Manual**  
**E26 Walk-Behind Scrubber**

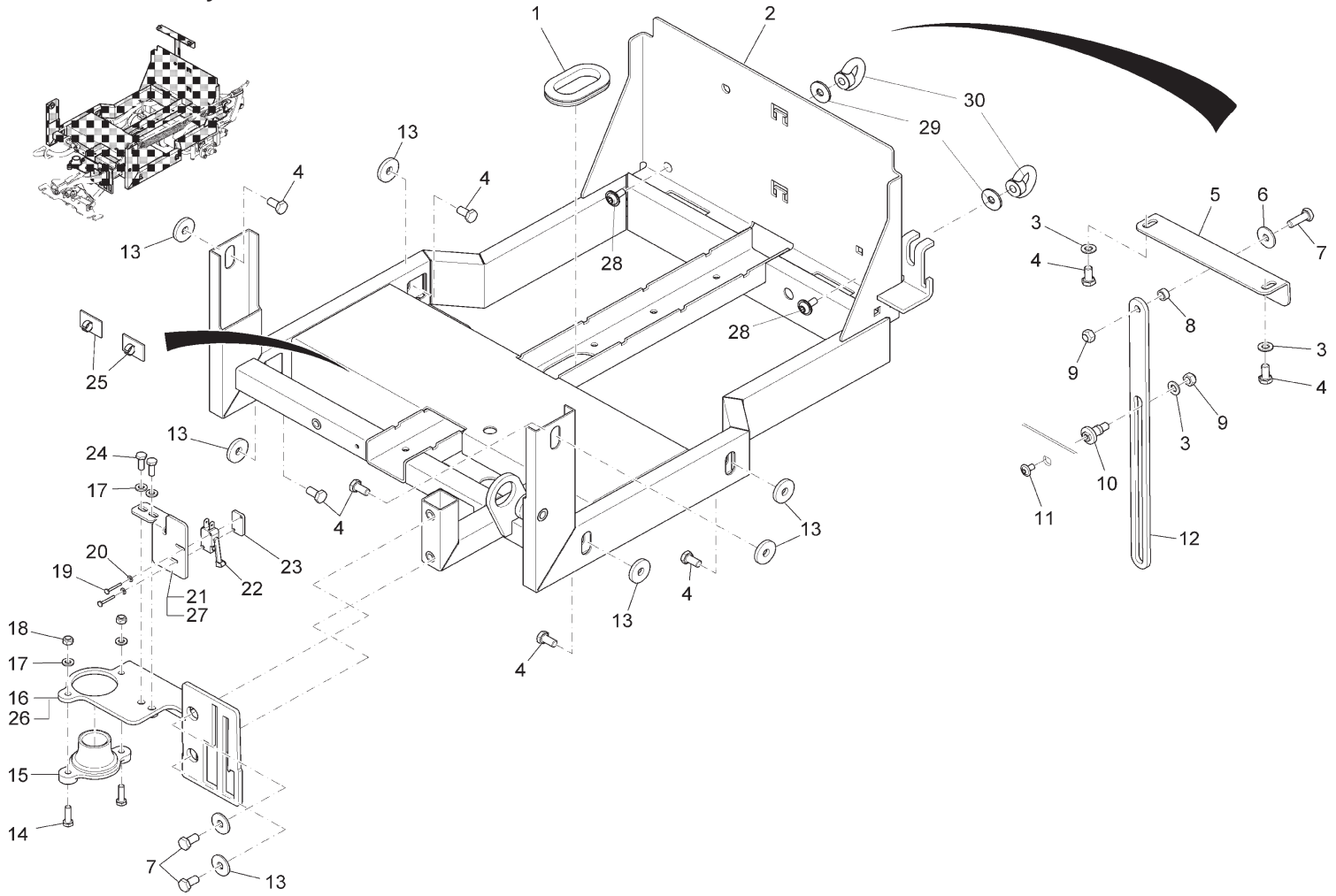
### **For Safety When Servicing or Maintaining Machine**

- Stop on level surface.
- Disconnect the power to the machine by pulling the red Battery Connector located under the recovery tank near the batteries.
- Avoid moving parts. Do not wear loose jackets, shirts, or sleeves when working on machine.
- Avoid contact with battery acid. Battery acid can cause burns. When working on or around batteries, wear protective clothing and safety glasses. Remove metal jewelry. Do not lay tools or metal objects on top of batteries.
- Do not clean machine with a pressure washer.
- Authorized personnel must perform repairs and maintenance. Use Minuteman supplied replacement parts.

## Table of Contents

Chassis Assembly I .....	1
Chassis Assembly II .....	2
Chassis Assembly III .....	5
Water Feed System Subassembly .....	6
Lift Pedal Subassembly .....	7
Brush Pressure Adjustment Subassembly .....	8
Squeegee Connection Subassembly I .....	9
Squeegee Connection Subassembly II .....	10
Battery Tray Assembly .....	13
Solution Tank Assembly .....	14
Recovery Tank Assembly .....	15
Vacuum Motor Assembly .....	16
Squeegee Lift Handle Assembly .....	17
Squeegee Assembly I .....	18
Squeegee Assembly II .....	19
Control Panel Assembly .....	20
Console Subassembly .....	21
Electrical Assembly I .....	22
Retainer Subassembly .....	23
Electrical Assembly II .....	24
Battery Charger Assembly .....	25
Deck Cover Assembly .....	26
Solution Control Assembly .....	27
Machine Labels .....	28
Disc Scrub Deck Assembly I .....	29
Disc Scrub Deck Assembly II .....	30

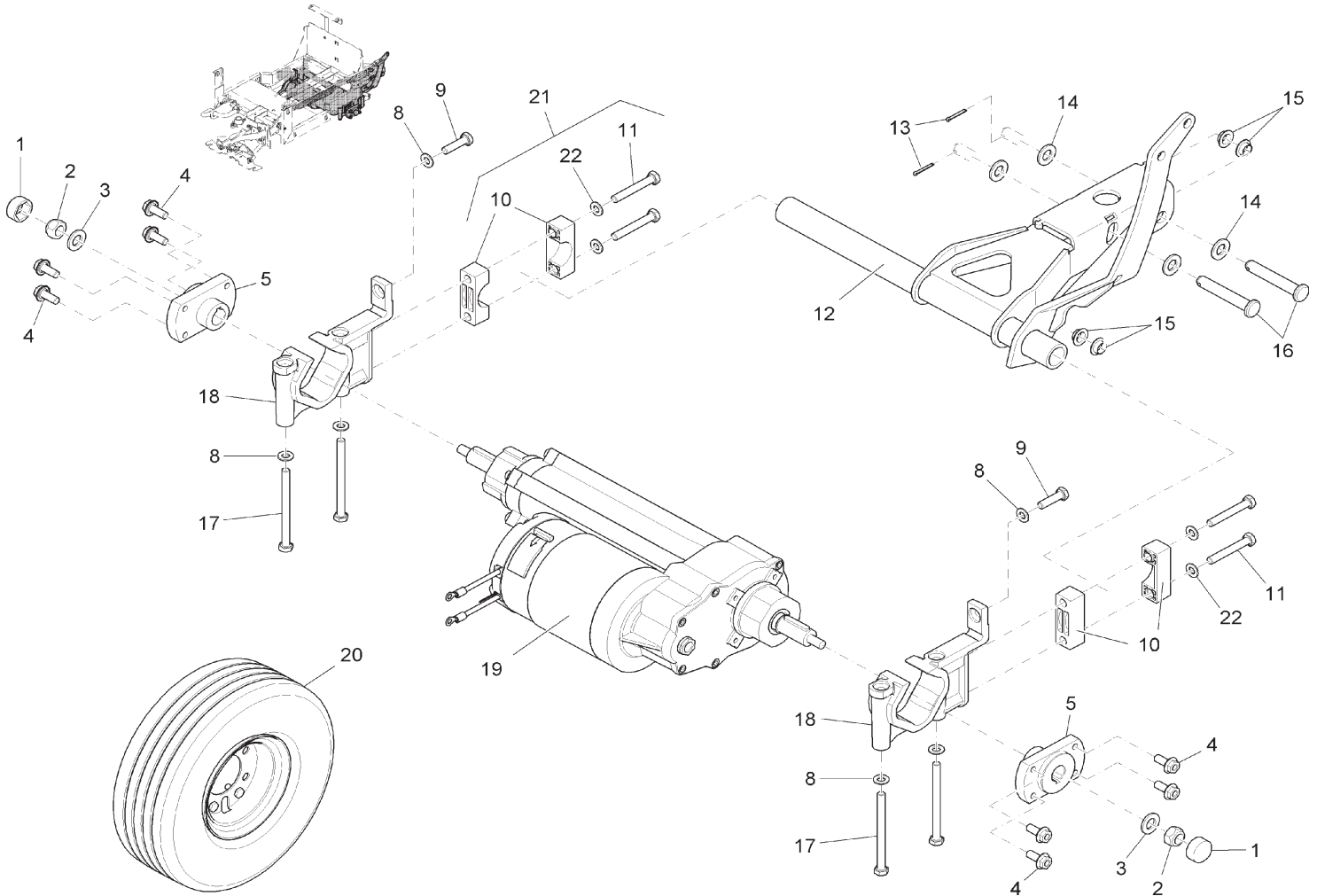
**Chassis Assembly I**



**Bill of Material - 97098859-1 (99706111BT10)**

Item	Spare part number	Mat. No.	Qty.	Description	Notes
1	01078440	90513367	1	Grommet	
2	03007640	96116405	1	Chassis	
3	00053750	12310041	7	Washer	
4	00053080	11038197	14	Hexagon screw	
5	01077760	90503160	1	Retainer	
6	00042900	12332029	3	Washer	
7	00053100	11038247	3	Hexagon screw	
8	01077700	90473158	1	Bushing	
9	00051510	12040051	2	Hexagon nut	
10	01077820	90513243	1	Bushing	
11	01072520	11177179	1	Lens flange screw	
12	01077740	90495268	1	Sheet metal	
13	00047990	12515086	10	Disk wheel	
14	00053020	11038098	2	Hexagon screw	
15	01077780	90508391	1	Bushing	
16	01078460	96114327	1	Sheet metal	until approx.. June 2007
17	00053730	12310033	4	Washer	
18	00051520	12040044	2	Hexagon nut	
19	00022180	11039088	2	Hex.bolt	
20	00553740	12310132	2	Washer	
21	01078470	90513359	1	Retainer	until approx. June 2007
22	00975510	90306002	1	Micro switch	
23	01074840	90471483	1	Thread base plate	
24	00053010	11038072	2	Hex.bolt	
25	01143190	17526070	2	Cable clip	
26	01079680	96117387	1	Sheet metal	from approx. July 2007
27	01170010	90528787	1	Retainer	from approx. July 2007
28	01006820	11177128	2	Lens flange screw	
29	00042900	12332029	2	Washer	
30	01078450	12160024	2	Nut	

**Chassis Assembly II**



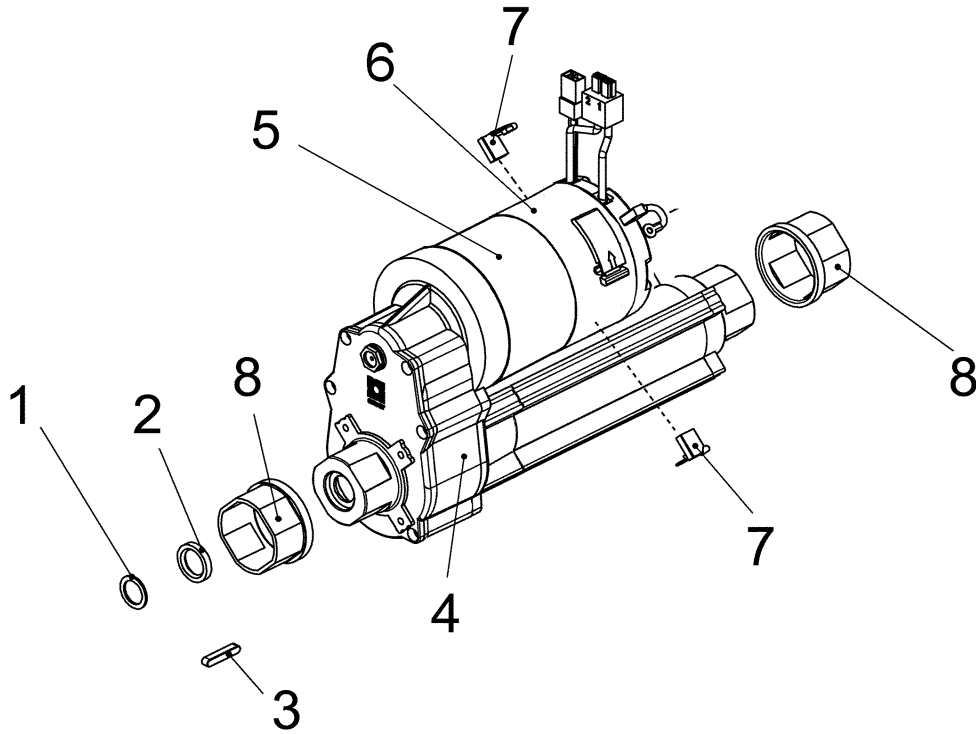
**Bill of Material - 97098859-2 (99706111BT20)**

Item	Spare part number	Mat. No.	Qty.	Description
1	01031540	15592058	2	Protection cap
2	00051490	12040077	2	Hexagon nut
3	00053770	12310066	2	Washer
4	00959310	11717022	8	Hex.bolt
5	01078010	90510116	2	Hub
8	00053750	12310041	8	Washer
9	00053110	11038254	2	Hexagon screw
10	01078020	90481664	4	Block
11	00053260	11038296	4	Hex.bolt
12	01078030	96111869	1	Lever
13	00553580	13280136	2	Cotter pin
14	00053770	12310066	4	Washer
15	01077510	14895478	4	Slide bearing bush
16	01078040	13328851	2	Bolt
17	00053140	11032273	4	Hex.bolt
18	01078480	90512062	2	Bearing AMER
19	01079400	90531609	1	Traction drive
20	90523309			Wheels
21	00008980	97057814	1	Block
22	00042900	12332029	4	Washer

**Notes**

ITEM HAS SUBASSEMBLIES  
ITEM HAS SUBASSEMBLIES  
incl. Items 10,11,22: Please order kit, it's necessary to exchange all 4 blocks

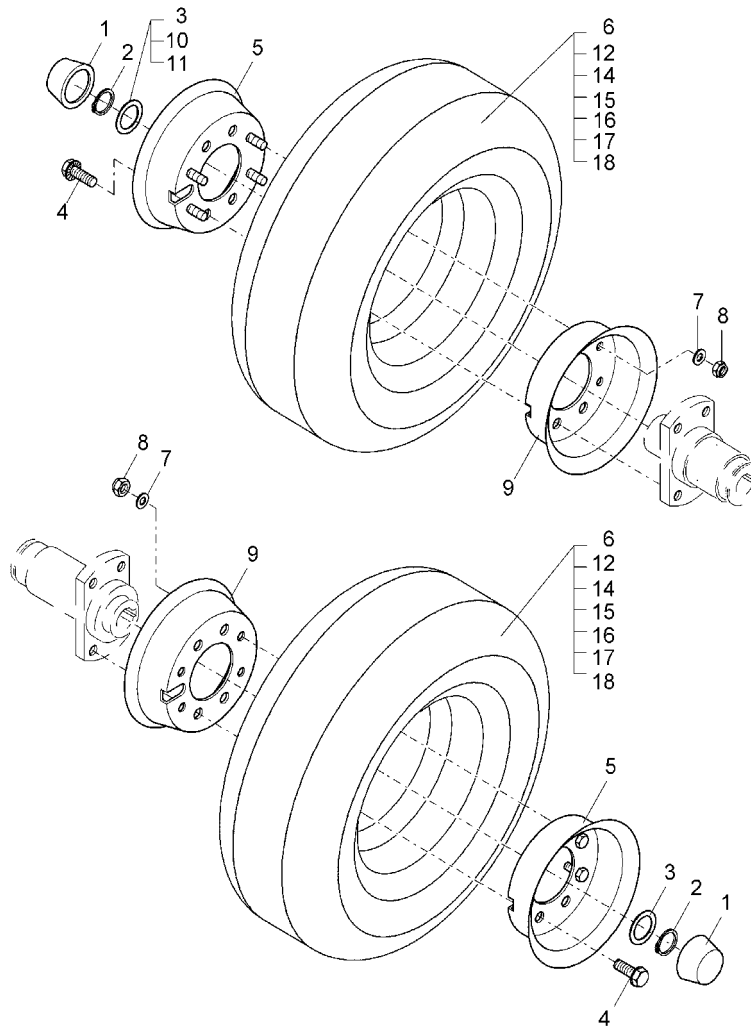
**Chassis Assembly II**  
Traction Drive Motor Subassembly



**Bill of Material - 01079400 (99706111BT21)**

Item	Spare part number	Mat. No.	Qty.	Description
1	01077430	01077430	2	Washer
2	01077420	01077420	3	Gasket
3	01077410	01077410	2	Fitting key
4	01077390	01077390	1	Gear box with shaft
5	01170790	01170790	1	Motor
6	01077360	01077360	1	Covering
7	01077350	01077350	4	Carbon brush
8	01077400	01077400	2	Bushing
9	01077380	01077380	4	Nut

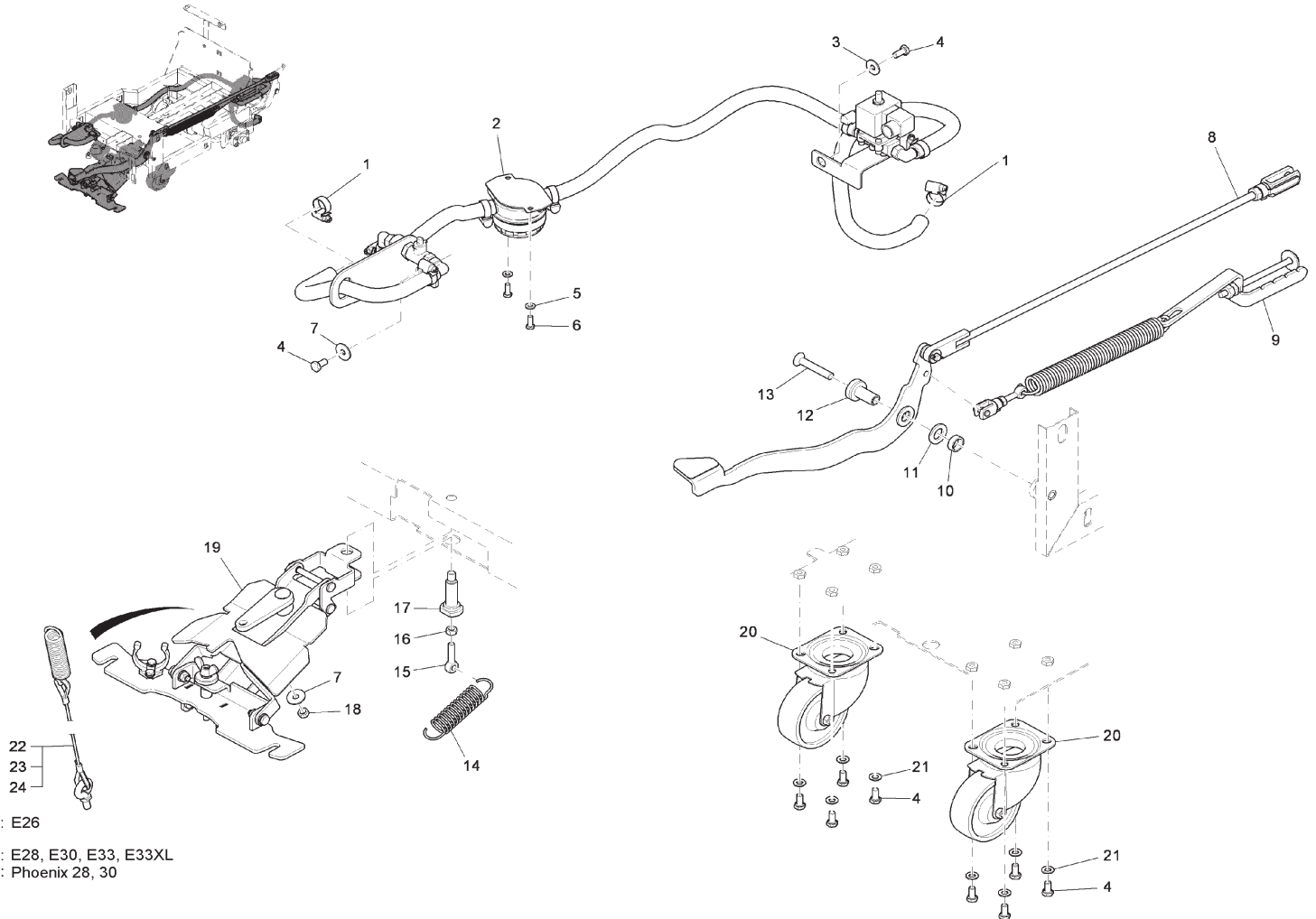
**Chassis Assembly II**  
Wheel Subassembly



**Bill of Material - 90523309 (99706111BT22)**

Item	Spare part number	Mat. No.	Description
1	00127160	90053000	Cap
2	00059490	12640082	Thrust washer
3	00153700	12335170	Adjusting washer
4	00959310	11717022	Hex.bolt
5	00621690	96057013	Rim
6	00770190	90180084	Tire
7	00053730	12310033	Washer
8	00051520	12040044	Hexagon nut
9	00621710	90251869	Rim
10	00046430	12336012	Adjusting washer
11	00136510	12334058	Supporting ring
12	00320810	90006727	Hose
14	00411670	90275082	Tyre
15	00621690	96057013	Rim
16	00621710	90251869	Rim
17	00051520	12040044	Hexagon nut
18	00053730	12310033	Washer

**Chassis Assembly III**



22: E26

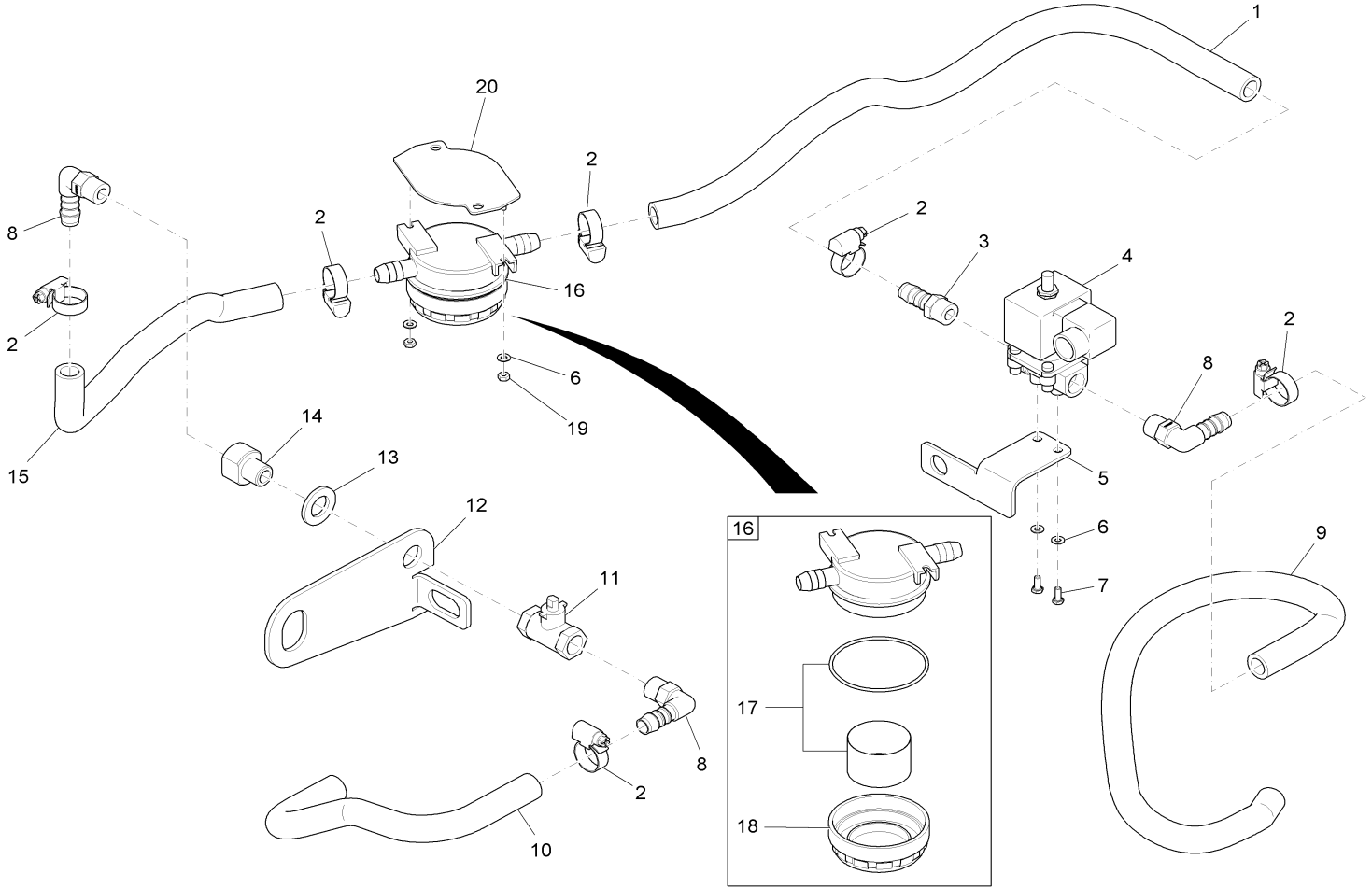
23: E28, E30, E33, E33XL

24: Phoenix 28, 30

**Bill of Material - 99706111BT30**

Item	Spare part number	Mat. No.	Qty.	Description	Note
1	01015350	17533159	2	Hose clamp	
2	99706111BT31		1	Water feed system	DO NOT ORDER, ITEM HAS SUBASSEMBLIES
3	00042900	12332029	1	Washer	
4	00053080	11038197	2	Hexagon screw	
5	00053730	12310033	2	Washer	
6	00053010	11038072	2	Hex.bolt	
7	00042900	12332029	2	Washer	
8	99706111BT32		1	Lifting pedal	DO NOT ORDER, ITEM HAS SUBASSEMBLIES
9	99706111BT33		1	Brush pression adjustment	DO NOT ORDER, ITEM HAS SUBASSEMBLIES
10	01077790	90509027	1	Pipe	
11	00053790	12310082	1	Washer	
12	01077800	90509522	1	Bushing	
13	01078140	11225620	1	Countersunk screw	
14	01078150	90523333	1	Tension spring	
15	00735690	11518180	1	Eye bolt	
16	00053350	12022059	1	Hexagon nut	
17	01077830	90513573	1	Pivot	
18	00051510	12040051	1	Hexagon nut	
19	03008100		1	Squeegee connection	DO NOT ORDER, ITEM HAS SUBASSEMBLIES
20	01077840	90515131	2	Steering roller	
21	00053750	12310041	2	Washer	
22	01077980	96112370	1	Linkage	E26
23	01170560	96115456	1	Linkage	E28, 30, 33, 33XL
24	01170620	96117510	1	Linkage	Phoenix 28, 30

**Chassis Assembly III**  
Water Feed System Subassembly



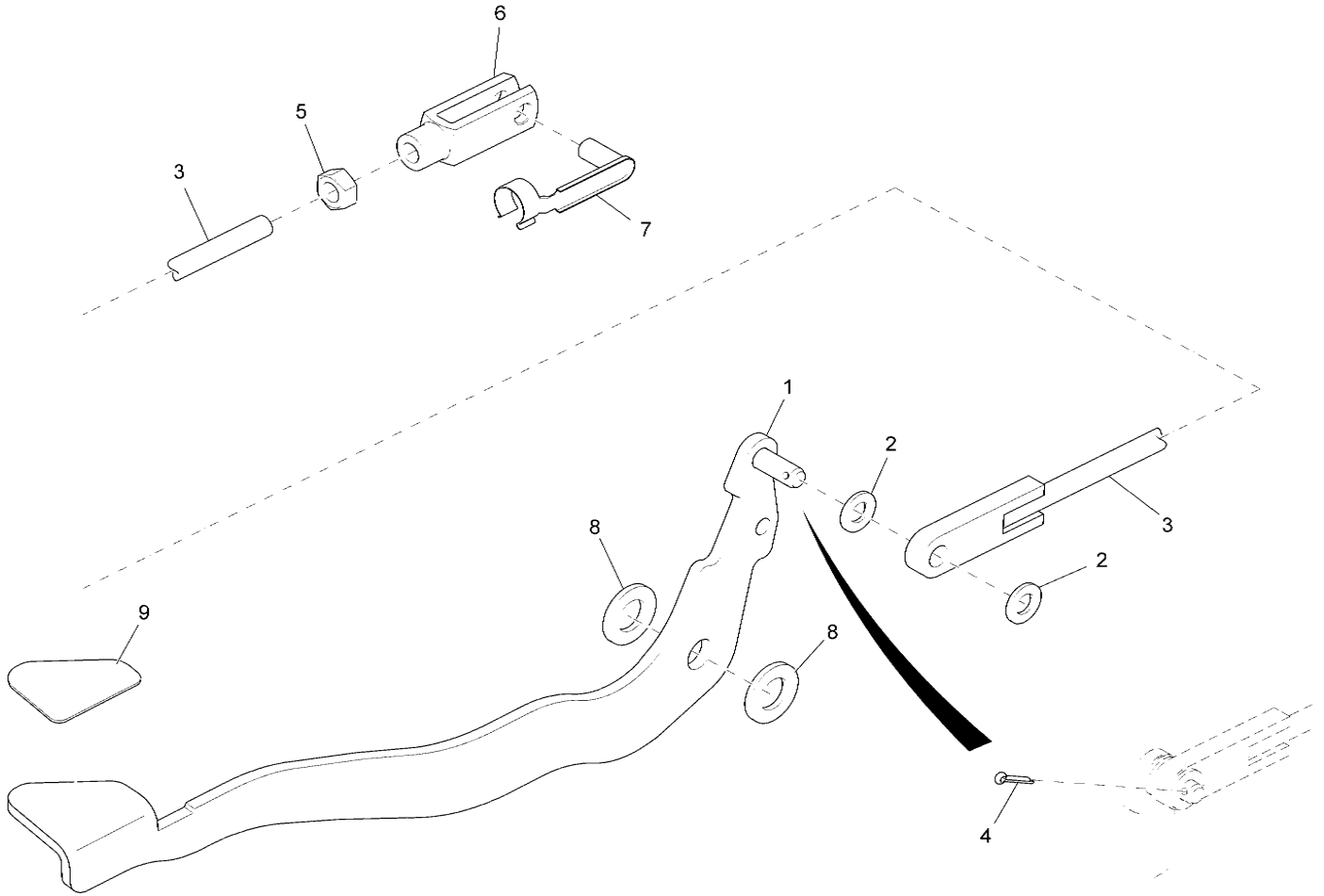
**Bill of Material - 97090161 (99706111BT31)**

Item	Spare part number	Mat. No.	Qty.	Description
1	00200170	25842055	560mm	PVC hose
2	01015350	17533159	6	Hose clamp
3	00976140	90310665	1	Screwing in connecting piece
4	01071000	90435595	1	Electrovalve
5	XXXXXXXXXX	90513896	1	Retainer
6	00053710	12310017	4	Washer
7	00058580	11038965	2	Hex.bolt
8	00020020	90174970	3	Angle socket
9	00200170	25842055	540mm	PVC hose
10	00200170	25842055	280mm	PVC hose
11	00956340	90521576	1	Ball valve
12	XXXXXXXXXX	90507344	1	Sheet metal
13	00053790	12310082	1	Washer
14	01077630	90517657	1	Screw
15	00200170	25842055	340mm	PVC hose
16	01077170	90522640	1	Water filter
17	01079170	01079170	1	filter cartridge
18	01076500	01076500	1	Screw cap
19	00133830	12040028	2	Hex. Nut
20	01078510	96115035	1	Sheet metal

**Notes**

cpl. with o-ring

**Chassis Assembly III**  
Lift Pedal Subassembly

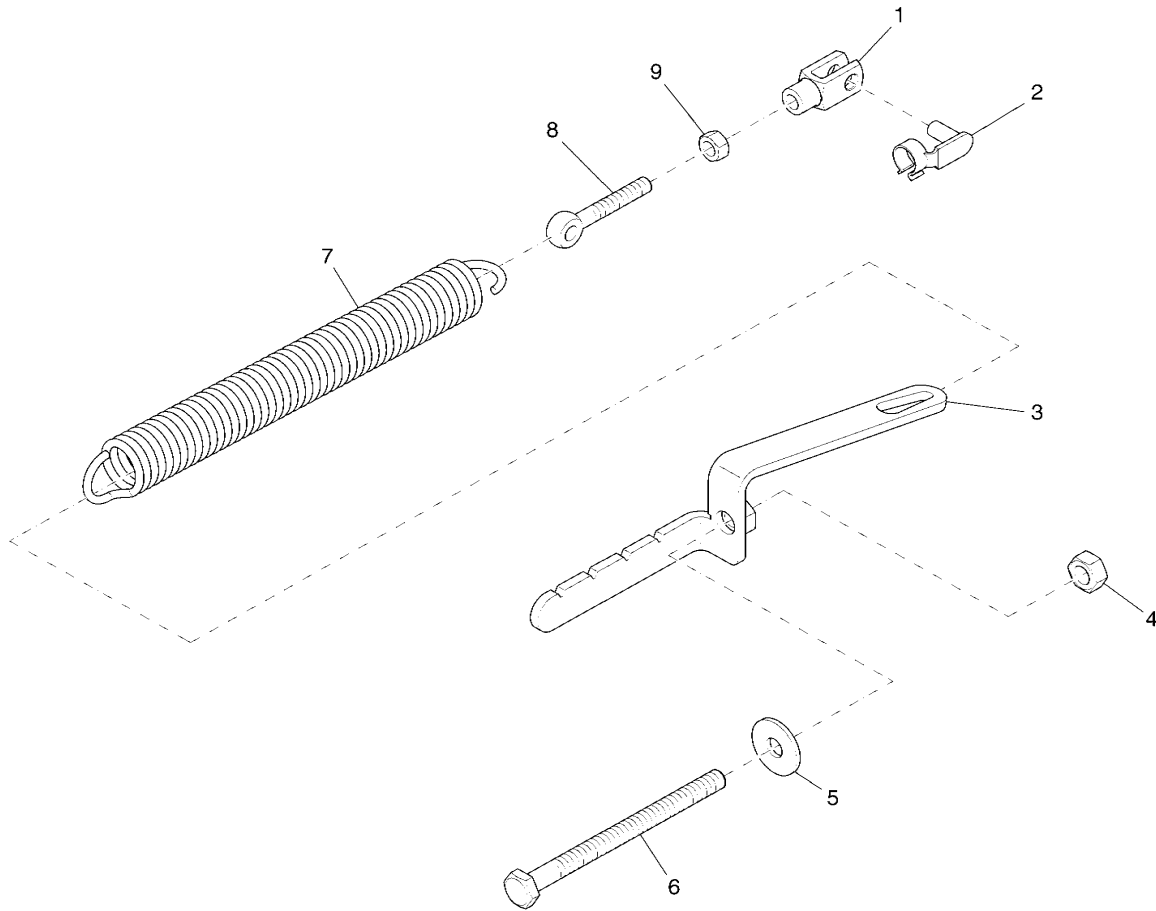


**Bill of Material - 97093181 (99706111BT32)**

Item	Spare part number	Mat. No.	Qty.	Description
1	01170020	96117361	1	Lifting pedal
2	00053760	12310058	2	Washer
3	01077930	96111877	1	Rod
4	00551410	13280110	1	Cotter pin
5	00053360	12022067	1	Hexagon nut
6	00925430	16055063	1	Fork yoke
7	00925420	13390042	1	Bolt
8	01078240	90510017	2	Washer
9	01078560	90518580	1	Decal

**Chassis Assembly III**

Brush Pressure Adjustment Subassembly

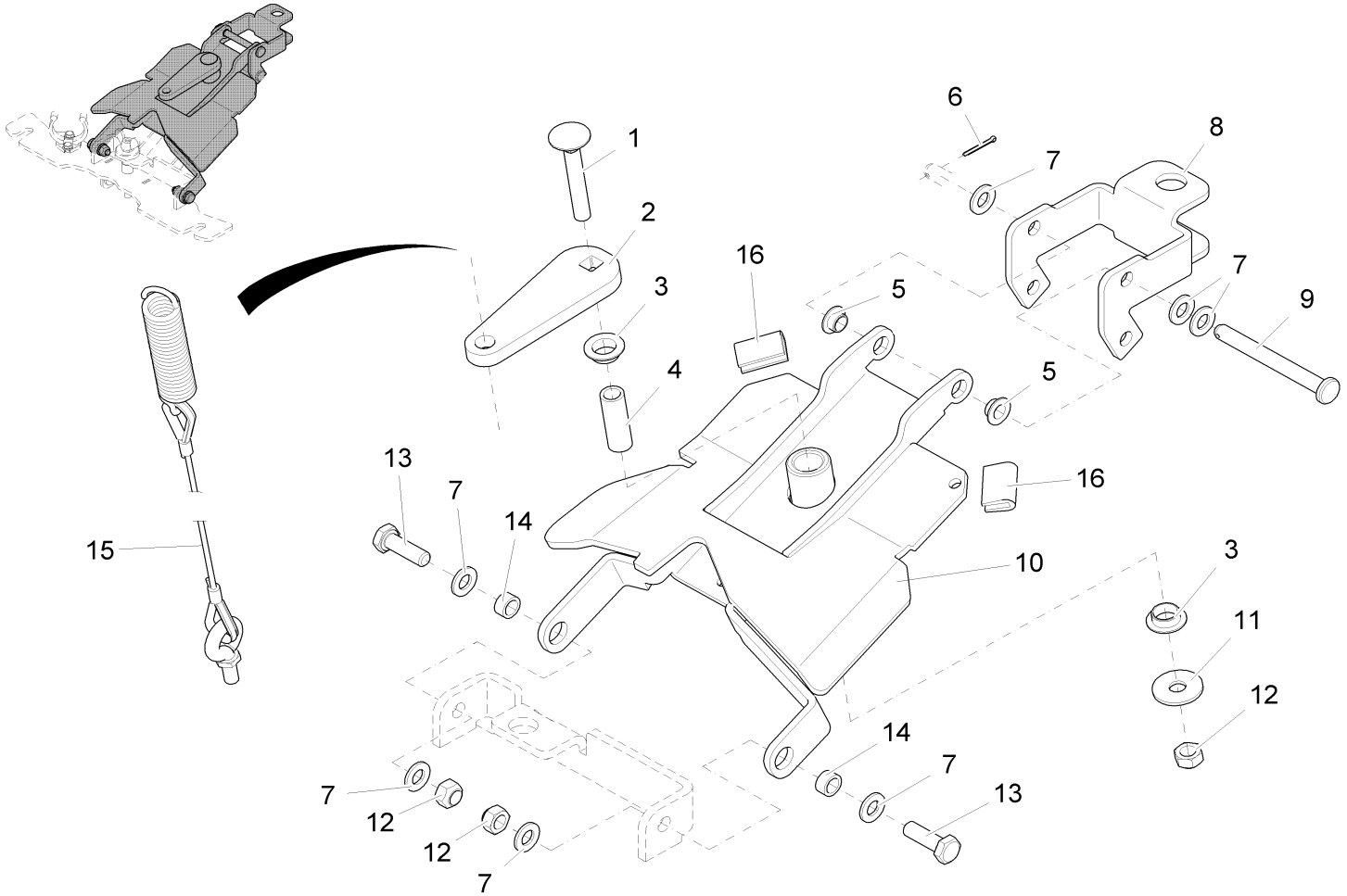


**Bill of Material - 97094791 (99706111BT33)**

Item	Spare part number	Mat. No.	Qty.	Description
1	00151440	16055089	1	Fork yoke
2	00151400	13390059	1	Bolt
3	01078500	96111505	1	Sheet metal
4	00053360	12022067	1	Hexagon nut
5	00046520	12332037	1	Washer
6	01031550	11039716	1	Hexagon screw
7	01077770	90504242	1	Tension spring
8	00706170	11518016	1	Eye bolt
9	00053350	12022059	1	Hexagon nut

**Chassis Assembly III**

**Squeegee Connection Subassembly I**

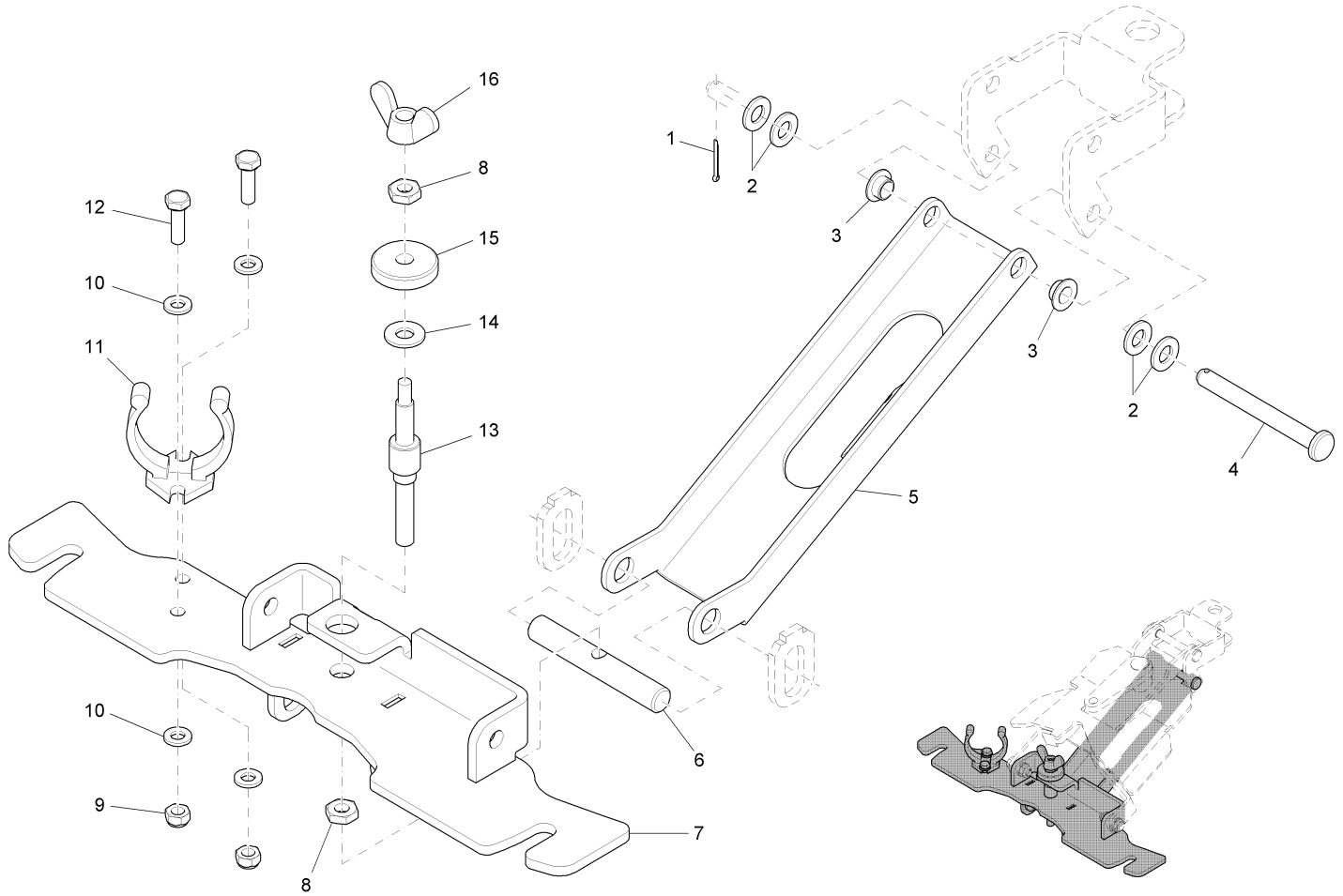


**Bill of Material - 03008100BT10**

Item	Spare part number	Mat. No.	Qty.	Description
1	01130940	11620564	1	Cup head square neck bolt
2	01170040	90521790	1	Sheet metal
3	01077510	14895478	2	Slide bearing bush
4	01170160	90204702	1	Pipe
5	01078230	14895460	2	Slide bearing bush
6	00054860	13280078	1	Cotter pin
7	00053750	12310041	5	Washer
8	01079280	90534710	1	Round part
9	01078220	13328935	1	Bolt
10	01079290	96117569	1	Sheet metal
11	00042900	12332029	1	Washer
12	00051510	12040051	3	Hexagon nut
13	00053100	11038247	2	Hexagon screw
14	01077700	90473158	2	Bushing
15	01077980	96112370	1	Linkage
16	00161240	25582024	1	Edge protection

**Chassis Assembly III**

**Squeegee Connection Subassembly II**

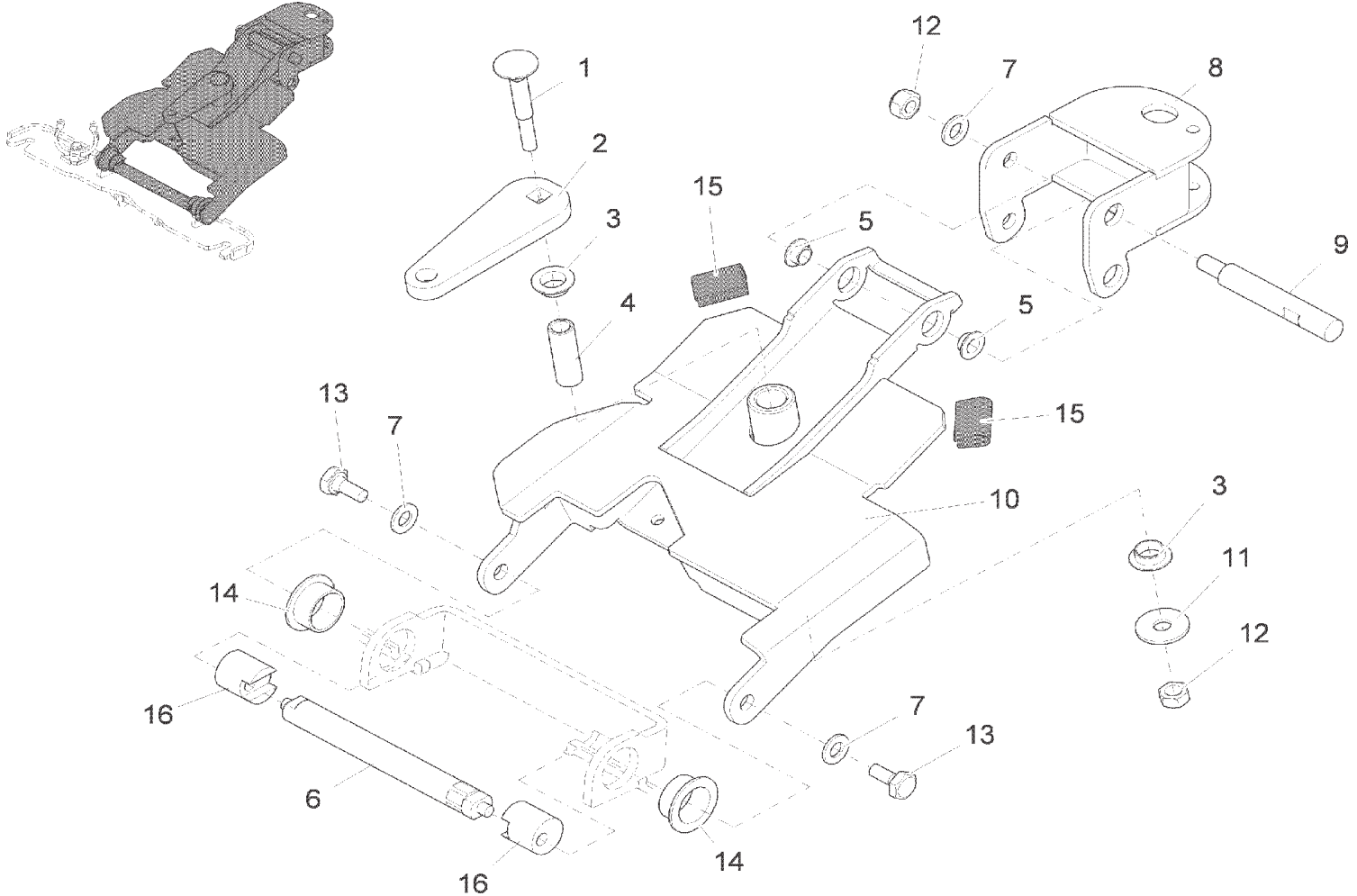


**Bill of Material - 97099915-2 Squeegee connection (until appr. 15. Apr. 2008)**

Item	Spare part number	Mat. No.	Qty.	Description
1	00054860	13280078	1	Cotter pin
2	00053750	12310041	1	Washer
3	01078230	14895460	2	Slide bearing bush
4	01170050	13328935	1	Bolt
5	01079320	90495805	1	Draft link
6	01077680	90467686	1	Bolt
7	01079330	96110242	1	Sheet metal
8	00046500	12012019	2	Hex. Nut
9	00051520	12040044	2	Hexagon nut
10	00053730	12310033	4	Washer
11	01078120	90503251	1	Hose support
12	00053020	11038098	2	Hexagon screw
13	01077850	90515149	1	Threaded pin
14	00042900	12332029	1	Washer
15	00051510	12040051	1	Hexagon nut
16	00054020	12158028	1	Wing nut
17	00053330	12022042	1	Hexagon nut

**Chassis Assembly III**

Squeegee Connection Subassembly I

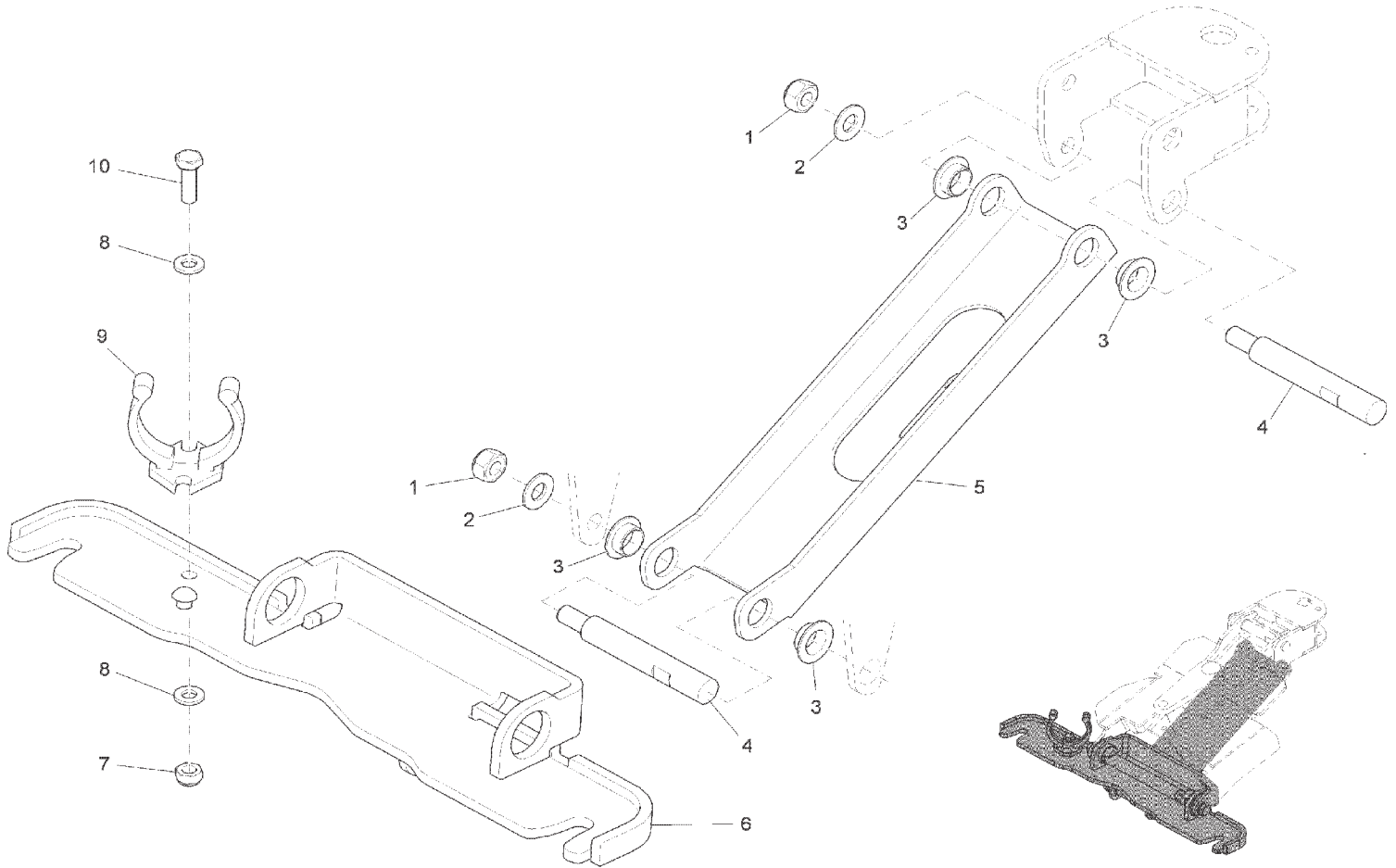


**Bill of Material - 03008100BT10 Squeegee connection (from appr. 15. Apr. 2008)**

Item	Spare part number	Mat. No.	Qty.	Description
1	01130940	11620564	1	Cup head square neck bolt
2	01170040	90521790	1	Sheet metal
3	01077510	14895478	2	Slide bearing bush
4	01171550	90547886	1	Bushing
5	01171330	14895197	2	Slide bearing bush
6	01171360	90546847	1	Shaft
7	00101550	12310264	3	Washer
8	01171290	96119938	1	Round part
9	01171540	90547381	3	Threaded bolt
10	01171300	96120985	1	Sheet metal
11	00042900	12332029	1	Washer
12	00101540	12040259	4	Hexagon nut
13	01071740	11039609	2	Hex.bolt
14	01130470	14895361	2	Slide bearing bush
15	00161240	25582024	60mm	Edge protection
16	01171370	90547399	2	Excentric

**Chassis Assembly III**

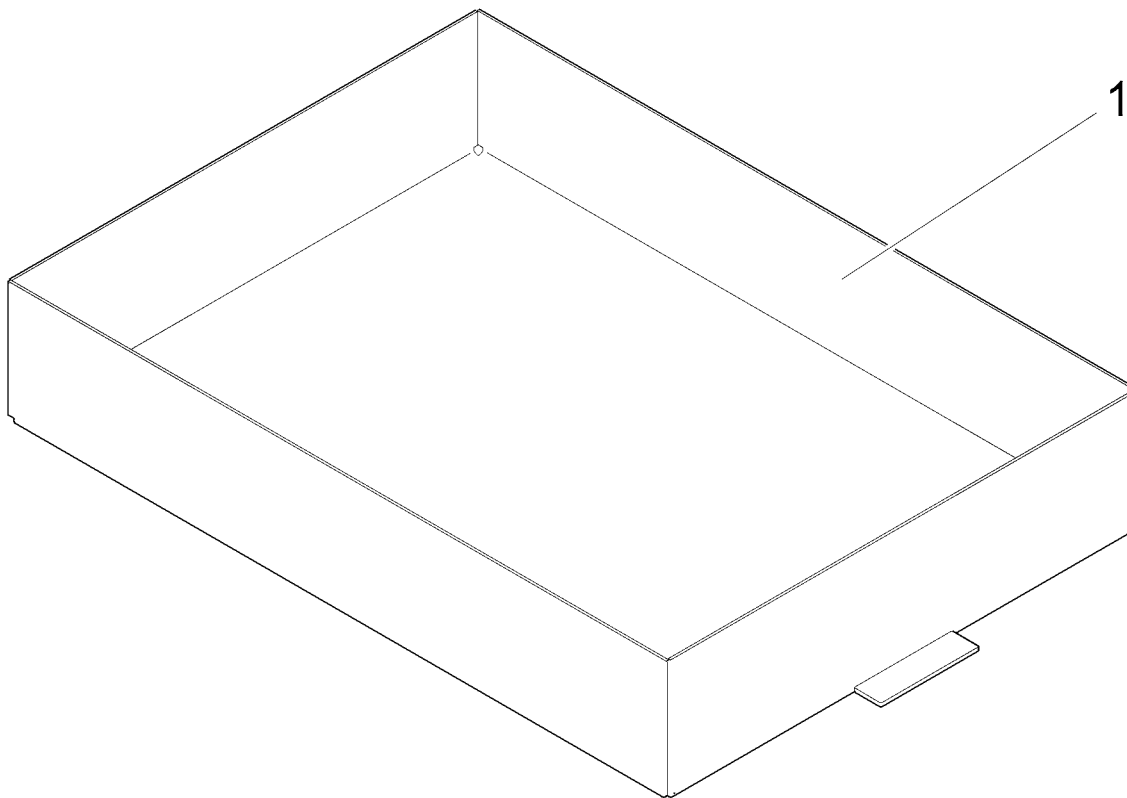
Squeegee Connection Subassembly II



**Bill of Material - 03008100BT20 Squeegee connection (from appr. 15. Apr. 2008)**

Item	Spare part number	Mat. No.	Qty.	Description
1	00101540	12040259	2	Hexagon nut
2	00101550	12310264	2	Washer
3	01171330	14895197	2	Slide bearing bush
4	01171540	90547381	3	Threaded bolt
5	01171280	90543521	1	Draft link
6	01171310	96120993	1	Sheet metal
7	00051520	12040044	1	Hexagon nut
8	00053730	12310033	2	Washer
9	01078120	90503251	1	Hose support
10	00053020	11038098	1	Hexagon screw

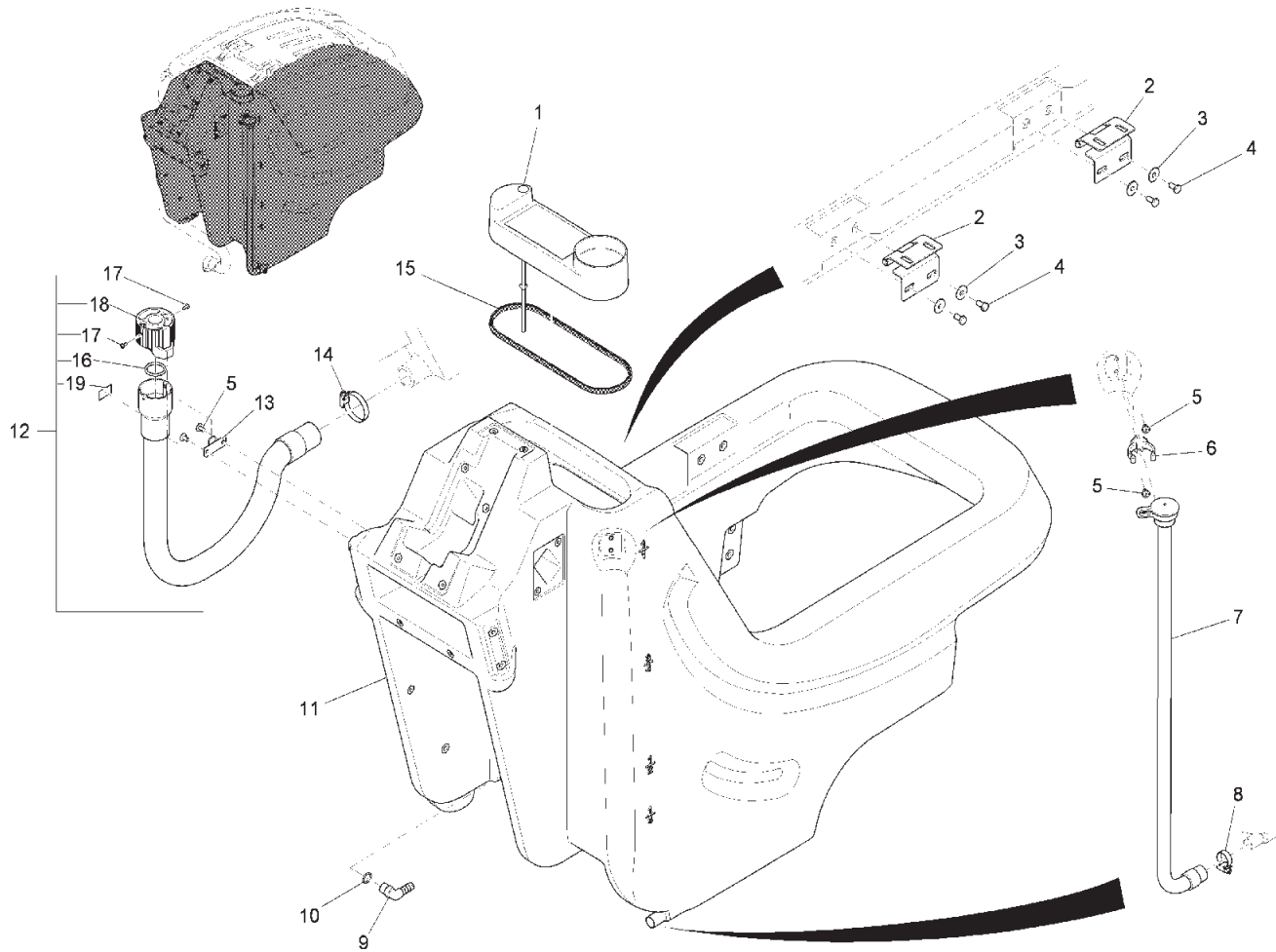
Battery Tray Assembly



Bill of Material - 99706131BT40

Item	Spare part number	Mat. No.	Qty.	Description
1	03007960	96117643	1	Battery Tray

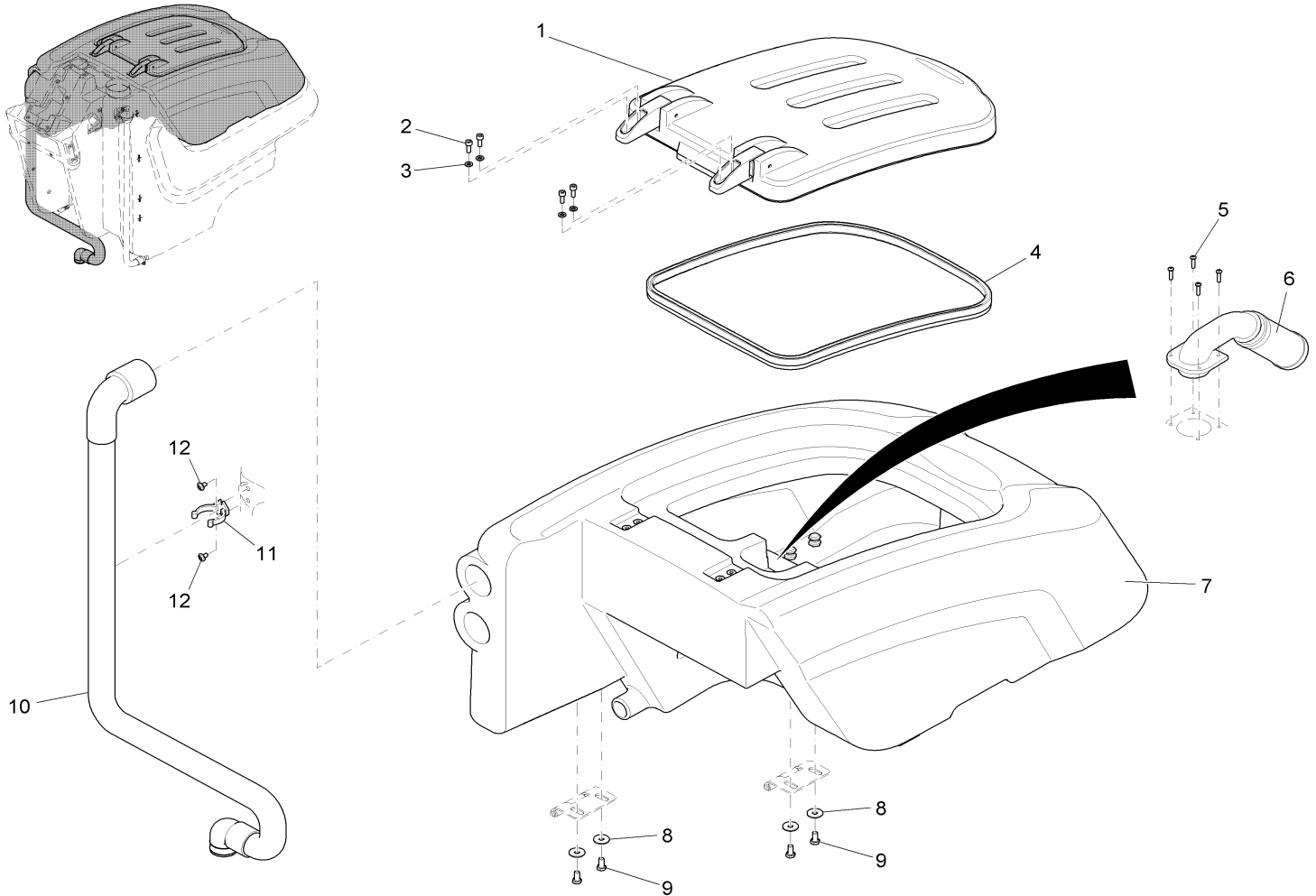
**Solution Tank Assembly**



**Bill of Material - 97100143-1 (99706111BT50)**

Item	Spare part number	Mat. No.	Qty.	Description
1	01078100	96114061	1	Fresh water cap
2	01078110	90496910	2	Hinge
3	00042900	12332029	4	Washer
4	00053080	11038197	4	Hexagon screw
5	01072520	11177179	4	Lens flange screw
6	01078120	90503251	1	Hose support
7	01077910	96109541	1	Hose
8	01161690	17533290	1	Clamp
9	00020020	90174970	1	Angle socket
10	00057720	15286149	1	O-ring oil resistant
11	01170700	96117734	1	Fresh water tank
12	01077960	97090096	1	Foul water hose
13	01077860	90517574	1	Hook
14	00751160	17533043	1	Hose clamp
15	00721090	25583022	710mm	Edge protection
16	01079300	15282072	1	O-Ring
17	00906100	11175395	2	Fillister-head screw
18	00906110	90304528	1	Cover
19	01170060	17264888	1	Decal FOUL WATER

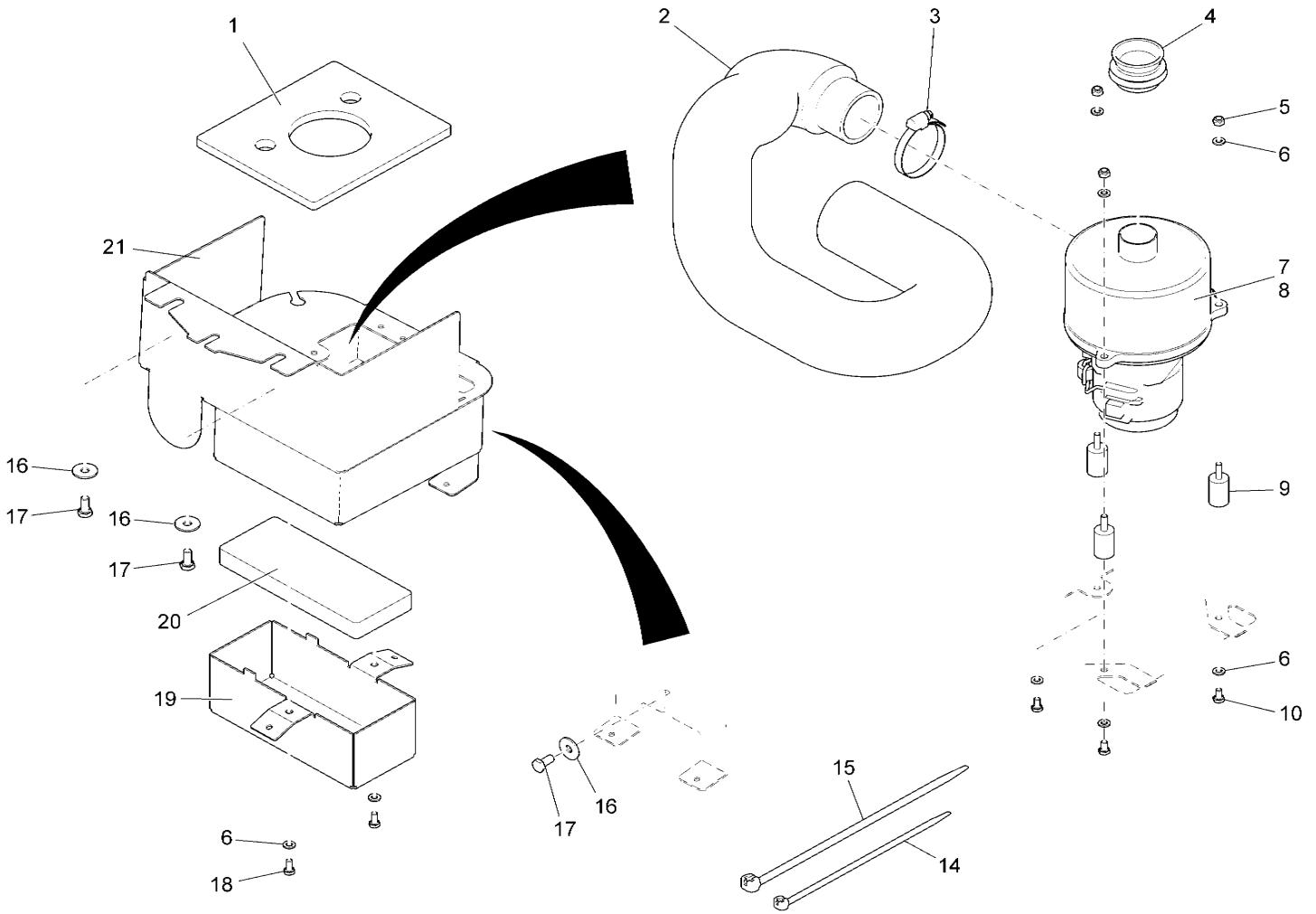
Recovery Tank Assembly



Bill of Material - 97100143-2 (99706111BT60)

Item	Spare part number	Mat. No.	Qty.	Description
1	01077990	97092951	1	Cover
2	00136910	11126166	4	Cylinder head screw
3	00053730	12310033	4	Washer
4	01071770	25510512	1	Sealing profile
5	01078160	11709151	4	Screw
6	01078250	97093843	1	Filter unit
7	01079410	96117726	1	Hopper
8	00042900	12332029	4	Washer
9	00053080	11038197	4	Hexagon screw
10	01077920	96111349	1	Suction hose
11	01078120	90503251	1	Hose support
12	01072520	11177179	2	Lens flange screw

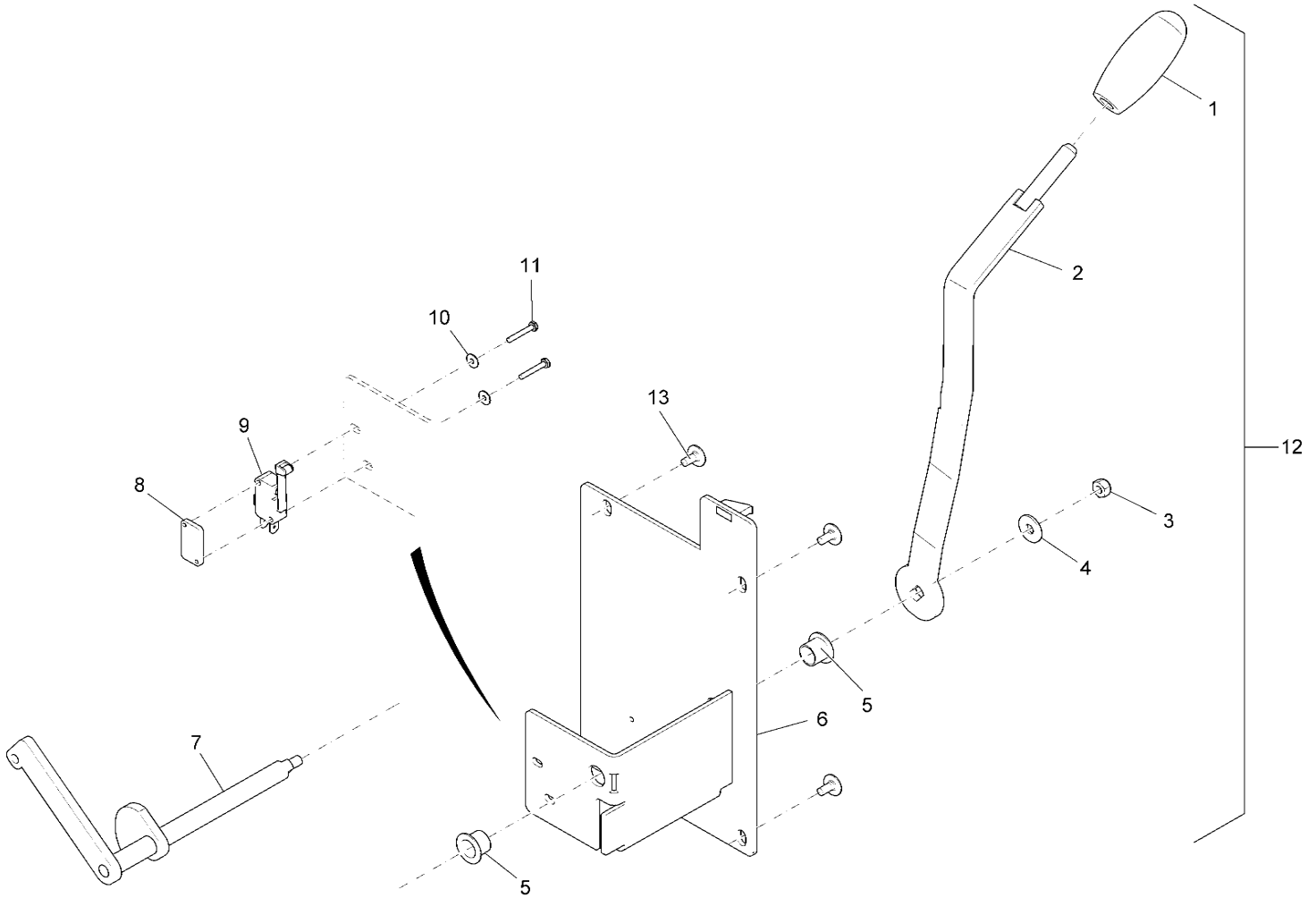
**Vacuum Motor Assembly**



**Bill of Material - 97092811 (99706111BT70)**

Item	Spare part number	Mat. No.	Qty.	Description
1	01079740	90523945	1	Insulation mat
2	01077900	90519737	1	Hose
3	00732130	17533027	1	Hose clamp
4	01078180	90503657	1	Connection
5	00051520	12040044	3	Hexagon nut
6	00053730	12310033	8	Washer
7	01079350	97096200	1	Suction motor
8	01074610	01074610	4	Carbon brush
9	01078190	90518457	3	Buffer
10	00025260	11038056	3	Hexagon screw
14	00121150	90114810	1	Cable tie
15	00967760	90156688	4	Cable tie
16	00042900	12332029	3	Washer
17	00053080	11038197	3	Hexagon screw
18	00104500	11038064	2	Hexagon screw
19	01079750	90519653	1	Cover
20	01079730	90519745	1	Insulation mat
21	03007810	96114301	1	Sheet metal

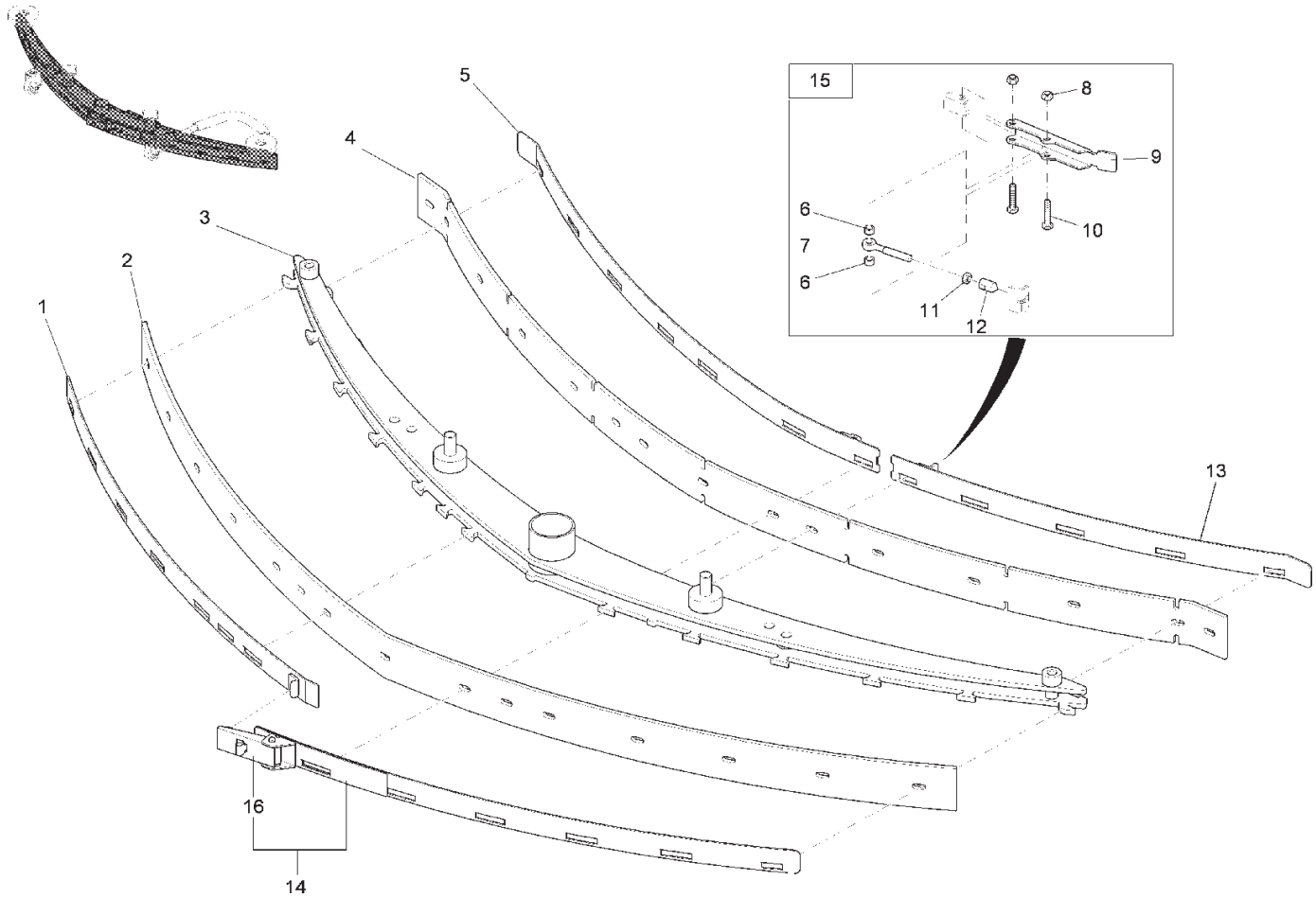
Squeegee Lift Handle Assembly



Bill of Material - 97102479 (99706111BT80)

Item	Spare part number	Mat. No.	Qty.	Description
1	00705560	17143025	1	Handle
2	01079160	96117825	1	Lever
3	00051520	12040044	1	Hexagon nut
4	00135120	12332011	1	Washer
5	01071440	14895288	2	Plain bearing bush
6	01079710	96110804	1	Support plate
7	01079720	96110705	1	Shaft with cam
8	01074840	90471483	1	Thread base plate
9	00975510	90306002	1	Micro switch
10	00747400	12332110	2	Washer
11	00022180	11039088	2	Hex.bolt
12	00009000	97092340	1	Lifting suction unit
13	01072520	11177179	4	Lens flange screw

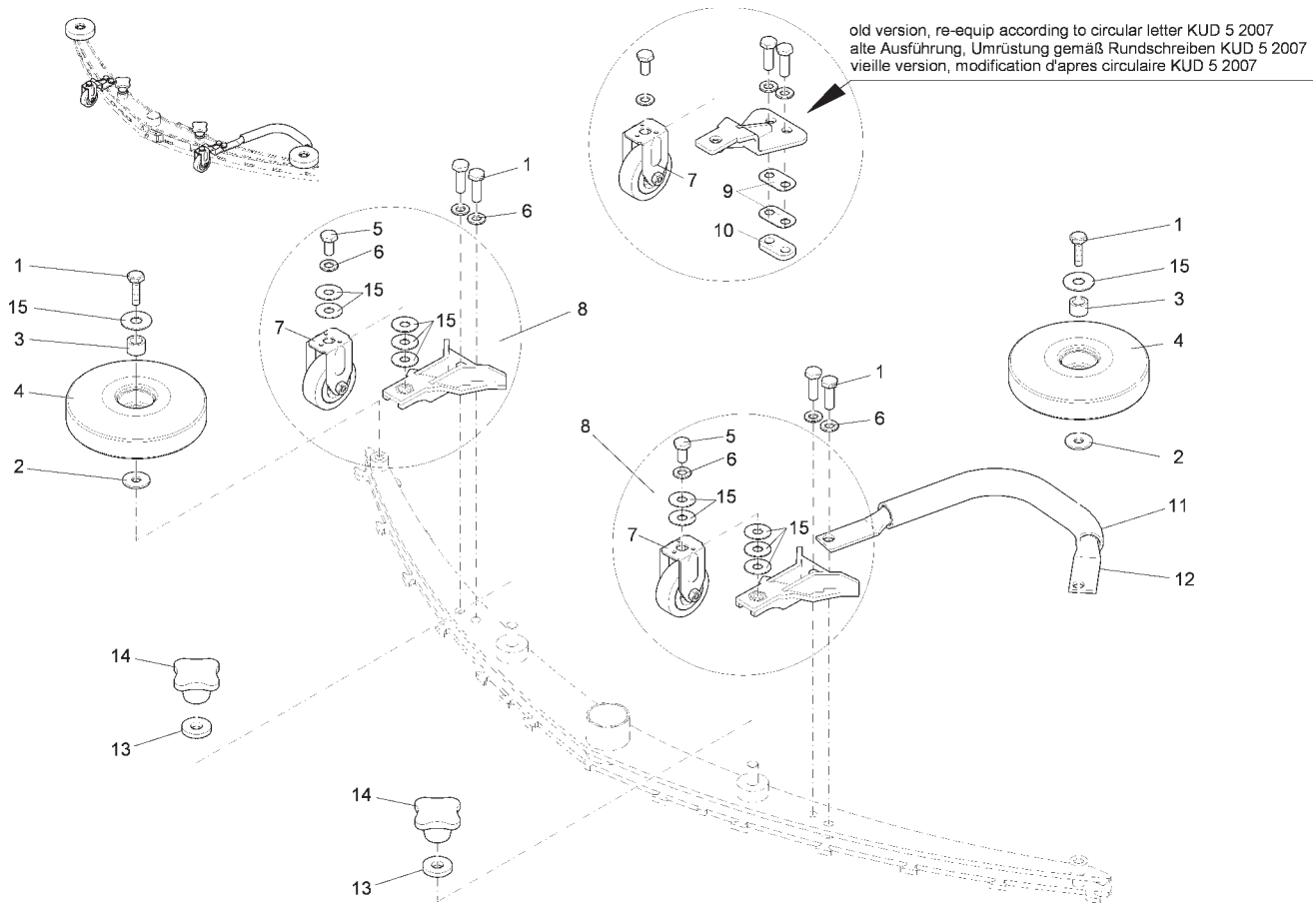
Squeegee Assembly I



Bill of Material - 97094502-1 (99706111BT100)

Item	Spare part number	Mat. No.	Qty.	Description
1	01077660	96113410	1	Rear tension band
2	01077480	90494139	1	Sealing strip
3	01077940	96113279	1	Suction unit
4	01077470	90493560	1	Slot strip
5	01077650	96113402	1	Front tension band
6	01077590	90514506	2	Bushing
7	01077500	11518313	1	Eye bolt
8	01017660	12040283	2	Hex. Nut
9	01077580	90535758	1	Lever
10	01079890	11039765	2	Hexagon screw
11	00902250	12022430	1	Hex. Nut
12	01078090	90513631	1	Pressure piece
13	01077640	96113303	1	Front tension band
14	01077670	96113428	1	Rear tension band
15	00009010	97057459	1	Lock suction unit
16	01171810	17383209	1	Lock

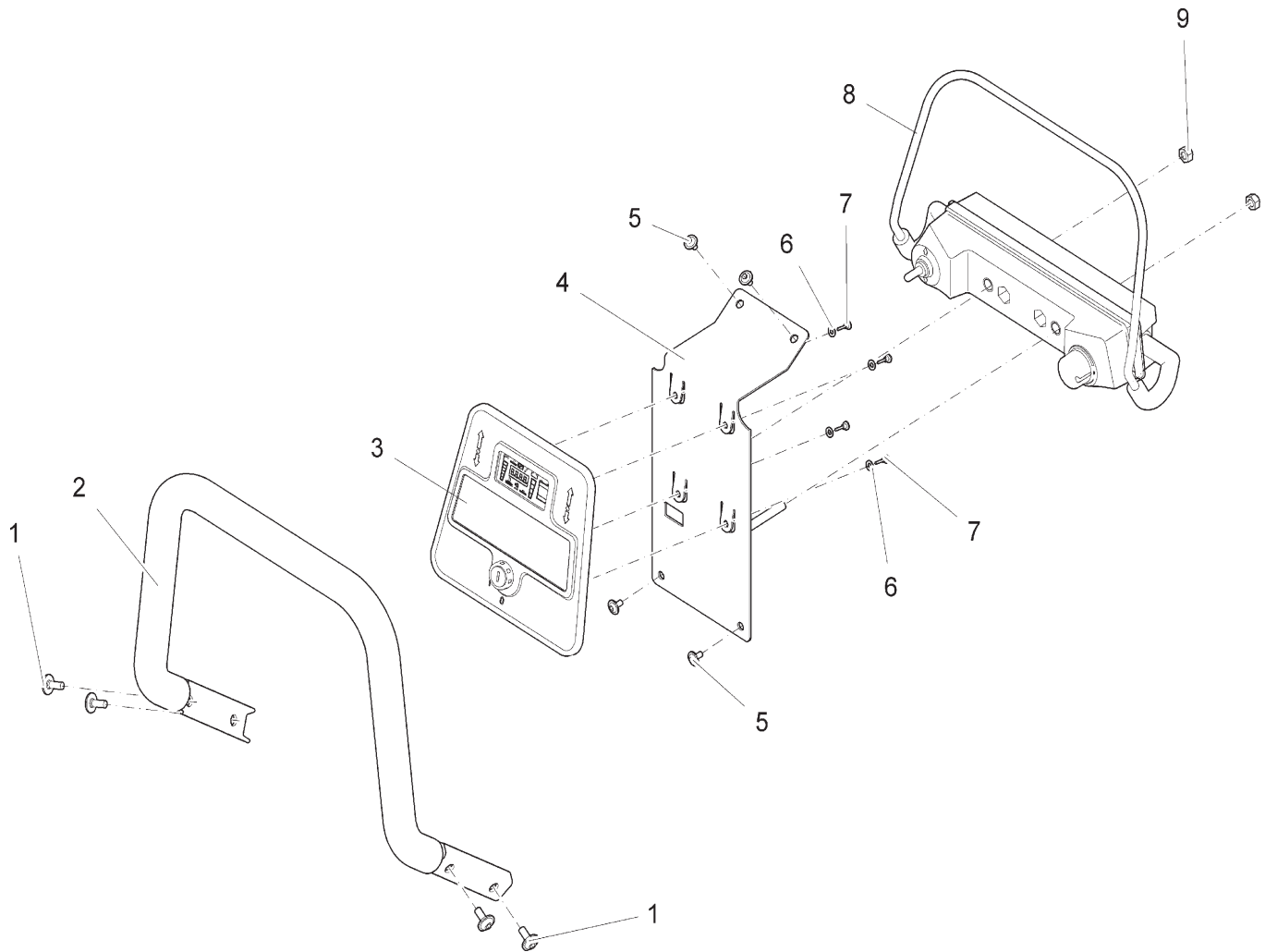
Squeegee Assembly II



Bill of Material - 97094502-2 (99706111BT110)

Item	Spare part number	Mat. No.	Qty.	Description
1	01059530	11039567	6	Hexagon screw
2	00902280	12332136	4	Washer
3	00879030	90199019	2	Pipe
4	01171790	90548397	2	Deflector roller
5	01071740	11039609	2	Hex.bolt
6	00101550	12310264	6	Washer
7	01077810	90513094	2	Fixed castor
8	01079070	97098842	2	Fixed castor
9	01077610	90514993	4	Distance piece
10	01077600	90514936	2	Distance piece
11	00911270	25842105	1	Hose
12	01077620	90515461	1	Bracket
13	00972060	12515094	2	Disk wheel
14	00866720	17133026	2	Star handle
15	01079080	90531112	10	Spacer

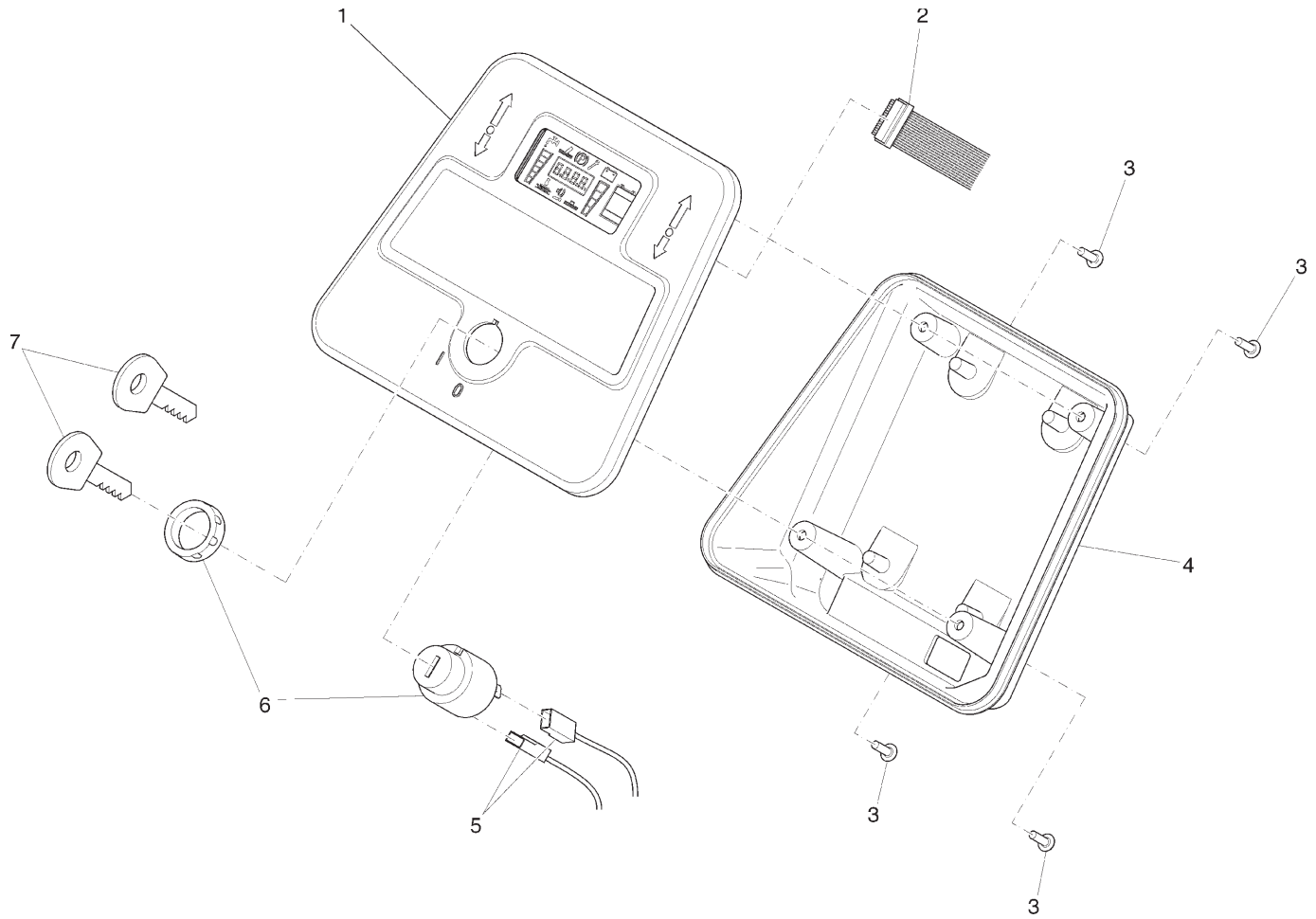
**Control Panel Assembly**



**Bill of Material - 97099477 (99706111BT120)**

Item	Spare part number	Mat. No.	Qty.	Description	Notes
1	01074320	11177187	4	Lens flange screw	DO NOT ORDER, ITEM HAS SUBASSEMBLIES
2	01079760	90494501	1	Handle bar	
3	97093801		1	Console cpl.	
4	01079770	96117585	1	Sheet metal	
5	01072520	11177179	4	Lens flange screw	
6	00874720	12310272	4	Washer	
7	00961490	11709011	4	Self tapping screw	
8	01079950	97096069	1	Bail system	
9	00051510	12040051	2	Hexagon nut	

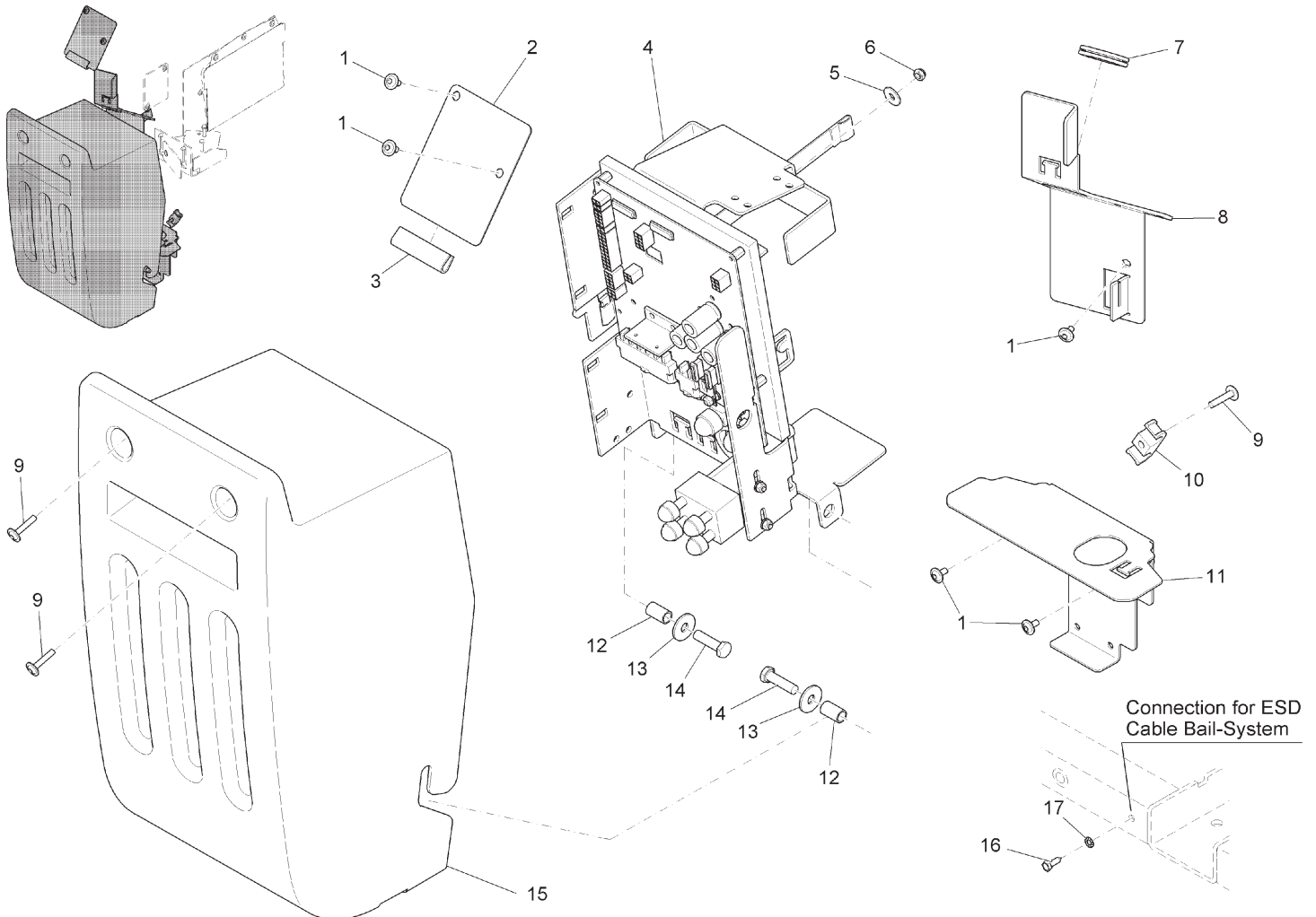
**Control Panel Assembly**  
Console Subassembly



**Bill of Material - 97093801 (99706111BT120-1)**

Item	Spare part number	Mat. No.	Qty.	Description
1	01078920	97057152	1	Console
2	01078930	90511130	1	Ribbon cable
3	01078860	11702123	4	Screw
4	01078940	90499492	1	Console
5	01078950	90518150	1	Cable key switch
6	00021710	90323437	1	Key switch
7	00745890	00745890	1	Set (2pc.) key

**Electrical Assembly I**



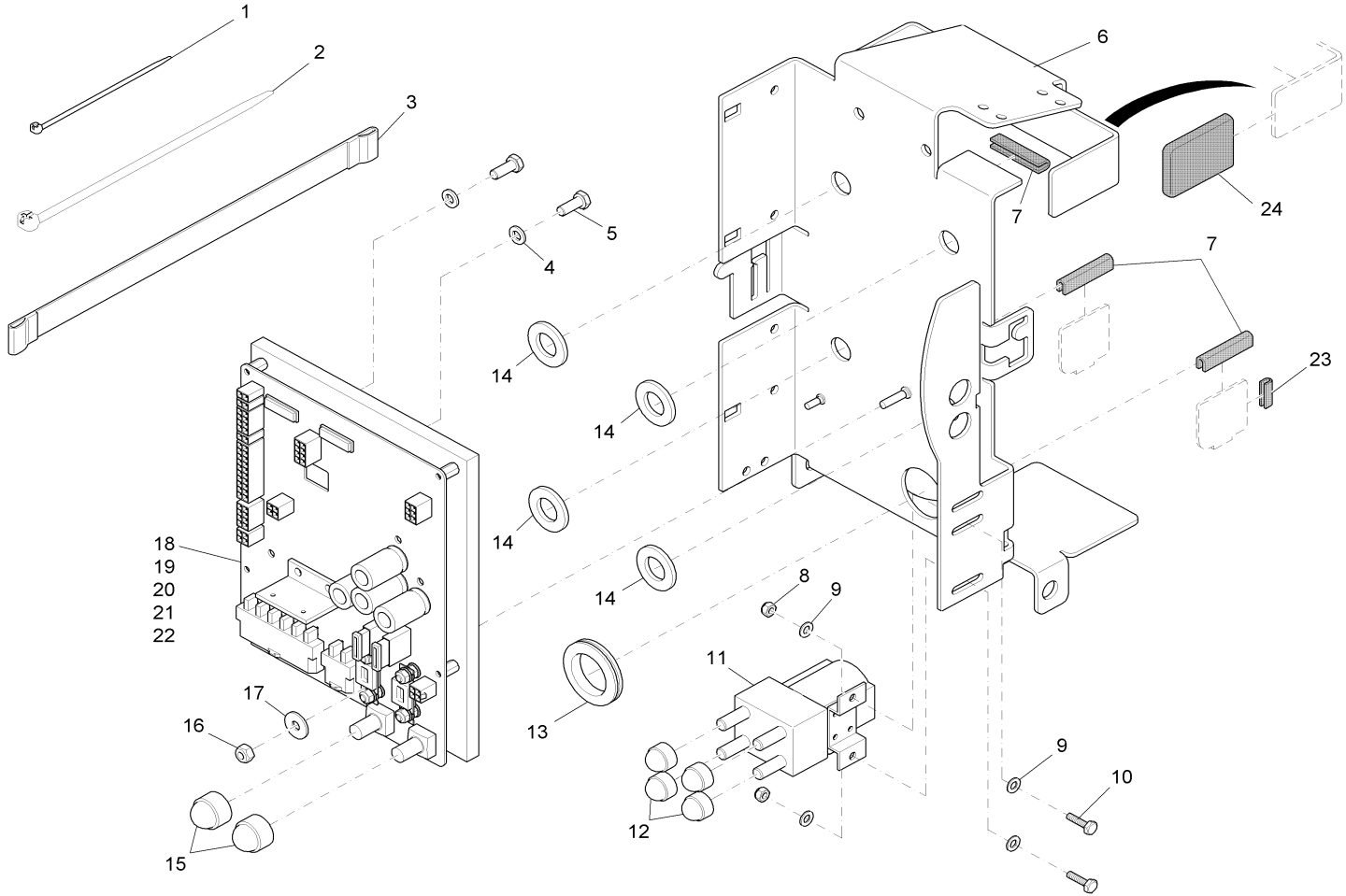
**Bill of Material - 97098990-1 (99706111BT130)**

Item	Spare part number	Mat. No.	Qty.	Description
1	01072520	11177179	5	Lens flange screw
2	01078570	90509803	1	Sheet metal
3	00161240	25582024	1	Edge protection
4	97099006		1	Retainer cpl.
5	00153200	12347027	1	Washer
6	00051520	12040044	1	Hexagon nut
7	01079690	15595259	1	Cable sleeve
8	01078580	90511338	1	Sheet metal
9	01082530	11177161	3	Lens flange screw
10	01073420	17521048	1	Clamp
11	01078590	90529165	1	Clamping plate
12	01078260	90499377	2	Bushing
13	00042900	12332029	2	Washer
14	00053110	11038254	2	Hexagon screw
15	01078270	96114996	1	Covering
16	01073850	11412046	1	Tapping screw
17	00857150	12518080	1	Lock washer

**Notes**

DO NOT ORDER, ITEM HAS SUBASSEMBLIES

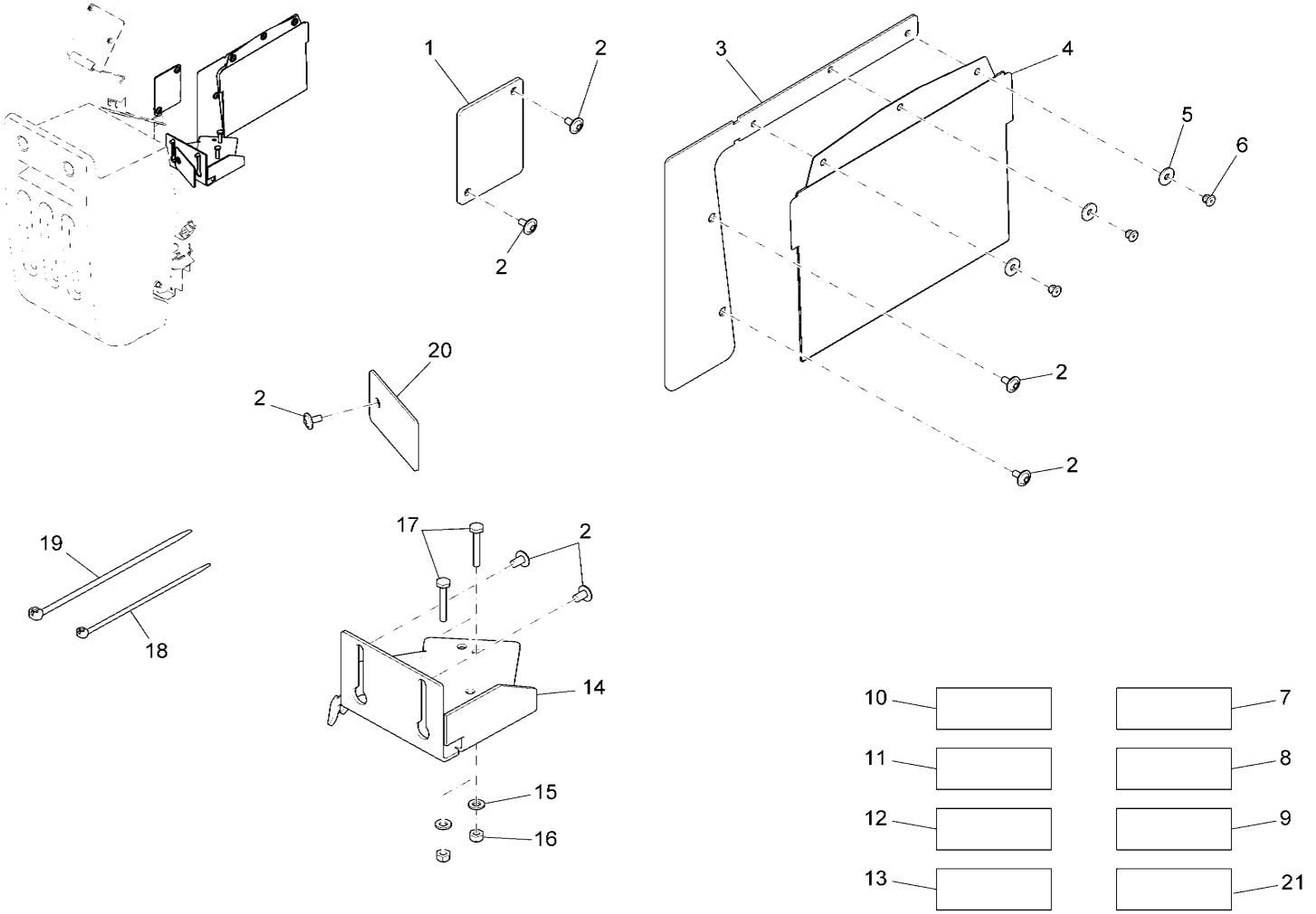
**Electrical Assembly I**  
Retainer Subassembly



**Bill of Material - 97099006 (99706111BT130-1)**

Item	Spare part number	Mat. No.	Qty.	Description
1	00967760	90156688	4	Cable tie
2	00121150	90114810	8	Cable tie
3	01077880	90517699	1	Webbing
4	00053730	12310033	2	Washer
5	00053010	11038072	2	Hex.bolt
6	01078640	96117668	1	Retainer
7	00721090	25583022	120mm	Edge protection
8	00051340	12040036	2	Hexagon nut
9	00053720	12310025	4	Washer
10	00054410	11038049	2	Hex.bolt
11	00707360	90331026	1	Solenoid
12	00131610	15592033	4	Lens cap
13	01079690	15595259	1	Bushing
14	01078240	90510017	4	Washer
15	00747210	15592041	2	Lens cap
16	00051520	12040044	1	Hexagon nut
17	00135120	12332011	1	Washer
18	01171100	97057764	1	Controller HIGH 8-fet BAIL-KUD
19	00972420	00972420		Strip fuse
20	00902440	00902440		Strip fuse
21	00733630	19731082		Fuse
22	00972430	00972430		Fuse
23	00721090	25583022	30mm	Edge protection
24	01074240	90463746	2	Cap

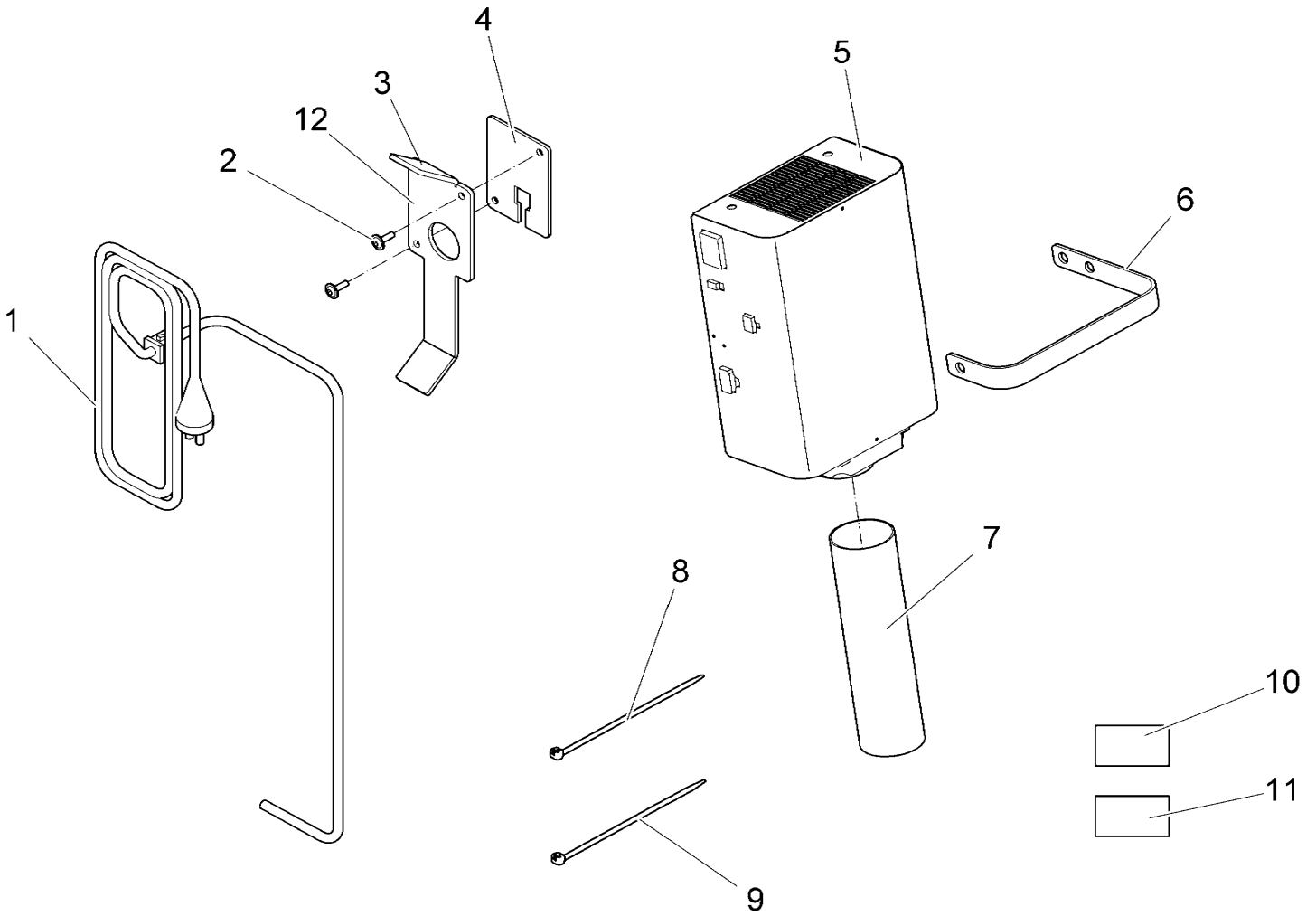
**Electrical Assembly II**



**Bill of Material - 97098990-2 (99706111BT14)**

Item	Spare part number	Mat. No.	Qty.	Description
1	01078600	90518119	1	Covering
2	01072520	11177179	7	Lens flange screw
3	01078610	90511346	1	Sheet metal
4	01078280	90465774	1	Bag
5	00555520	12332052	3	Washer
6	01078290	13165196	3	Blind rivet
7	03006850	97094247	1	Wiring harness W1
8	03007770	97094254	1	Wiring harness
9	03007800	97099089	1	Wiring harness
10	03007790	97099063	1	Wiring harness
11	03006880	97095624	1	Wiring harness W11
12	03006890	97094387	1	Set of cables
13	03006900	97095657	1	Set of cables battery
14	01078620	90512146	1	Sheet metal
15	00053730	12310033	2	Washer
16	00051520	12040044	2	Hexagon nut
17	00535110	11038817	2	Hex.bolt
18	00121150	90114810	12	Cable tie
19	00967760	90156688	18	Cable tie
20	01078630	90511320	1	Sheet metal
21	03007780	97099048	1	Cable loom

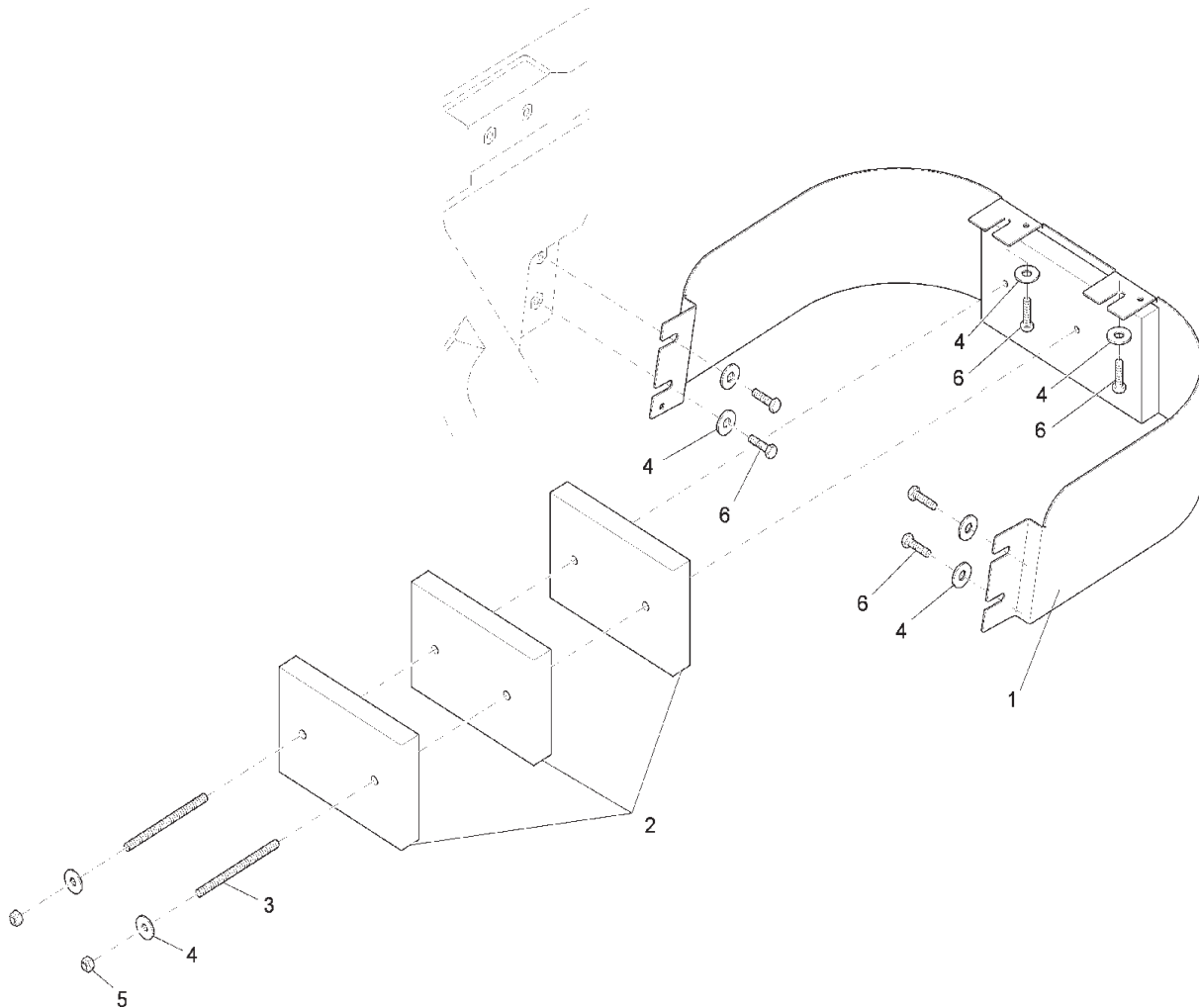
**Battery Charger Assembly**



**Bill of Material - 97099436 (99706111BT160)**

Item	Spare part number	Mat. No.	Qty.	Description
1	01079380	90532987	1	Power cable
2	01017640	11177060	2	Lens flange screw
3	01074240	90463746	2	Cap
4	01079360	90533266	1	Covering
5	01079370	96117197	1	On-board charger
6	01077870	90517665	1	Tension band
7	01078320	90512575	3	Hose
8	00121150	90114810	8	Cable tie
9	00967760	90156688	1	Cable tie
10	03006770	97094304	1	Wire harness W6
11	03006840	97094346	1	Wiring harness W8
12	01079390	90533258	1	Cable retainer

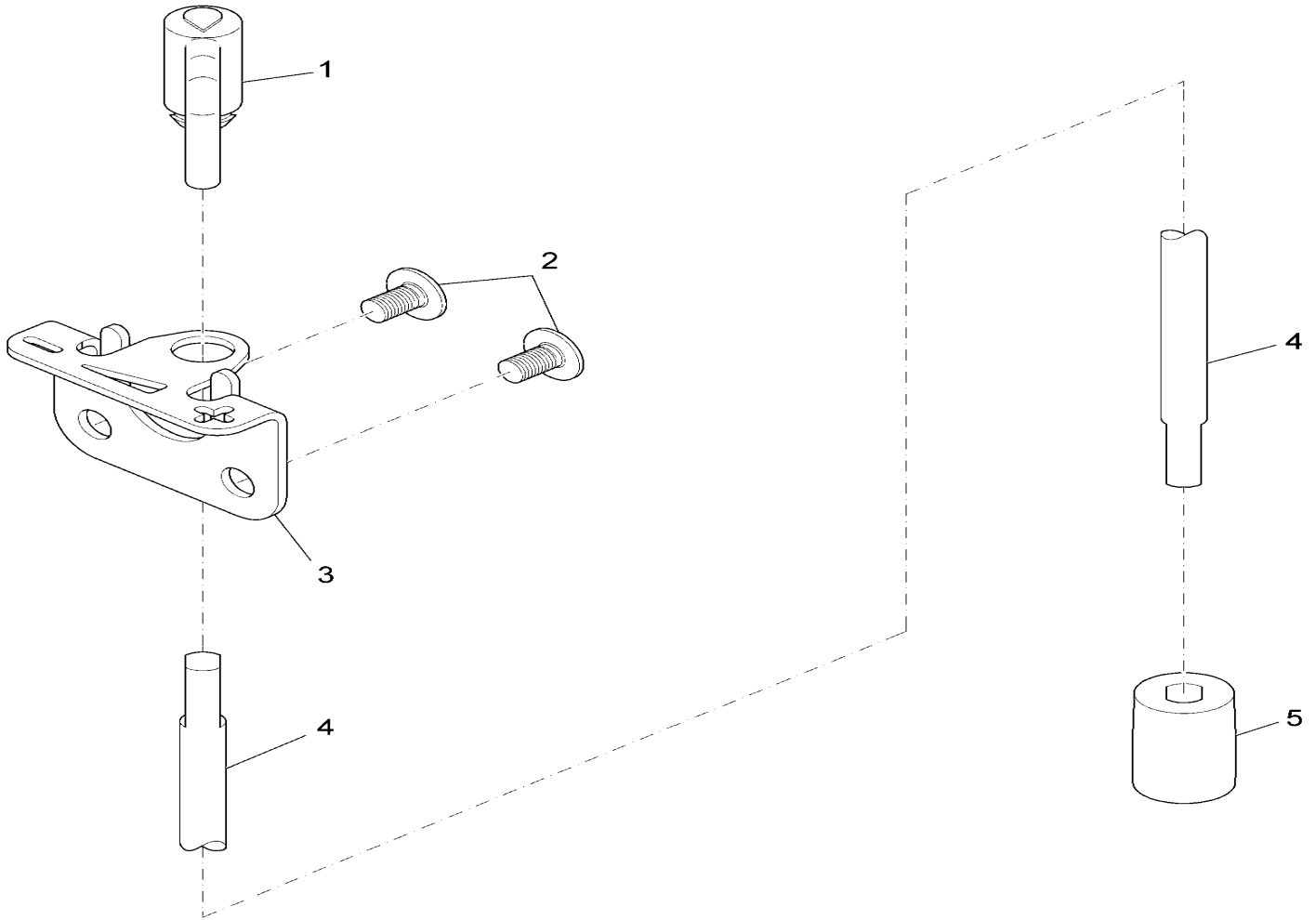
Deck Cover Assembly



Bill of Material - 97096648 (99706111BT170)

Item	Spare part number	Mat. No.	Qty.	Description
1	03008080	96115084	1	Covering
2	XXXXXXXXXX	96118674	3	Weight
3	01078410	90539255	2	Threaded rod
4	00042900	12332029	2	Washer
5	00051510	12040051	2	Hexagon nut
6	00053080	11038197	6	Hexagon screw

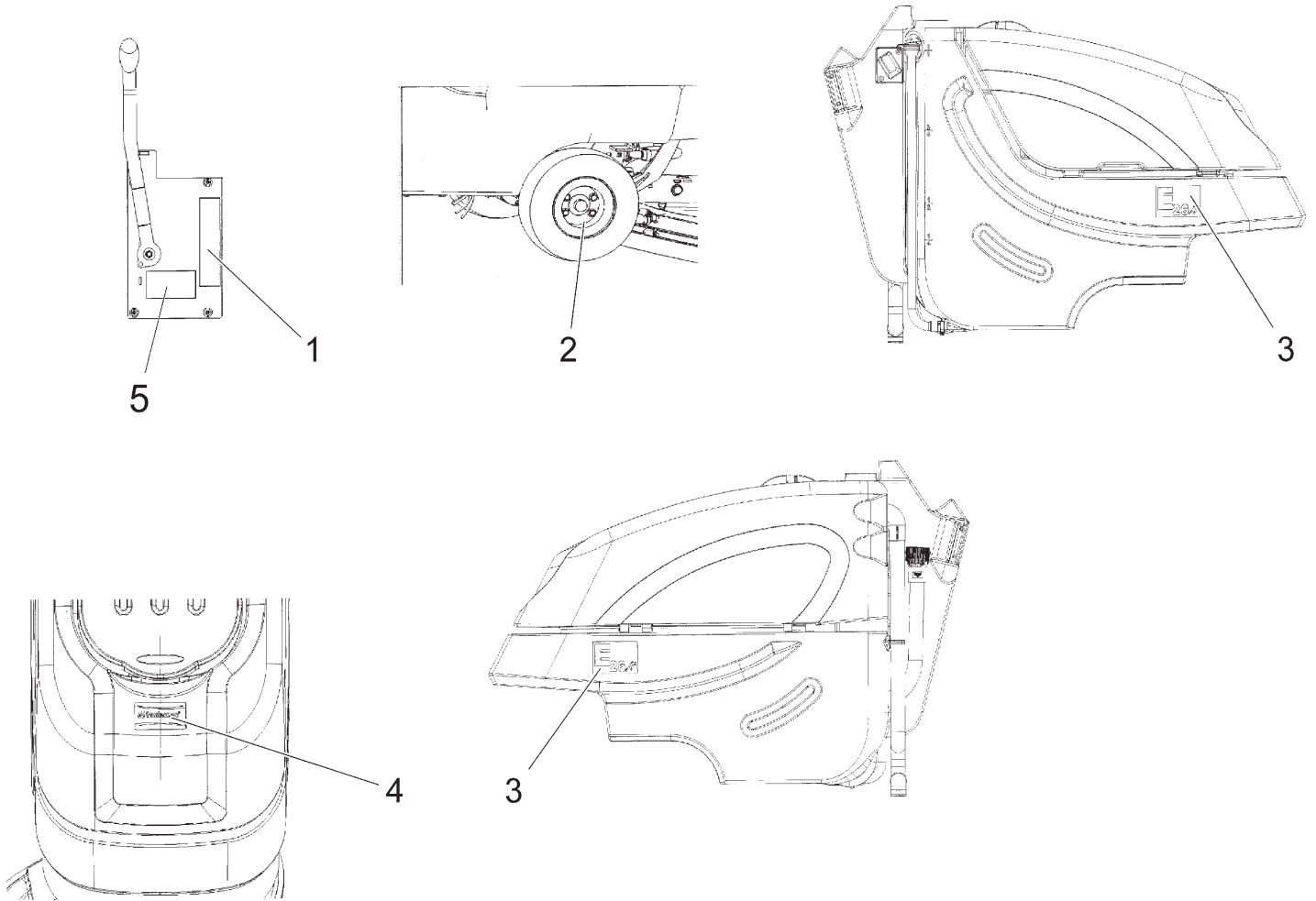
**Solution Control Assembly**



**Bill of Material - 97092597 (99706111BT180)**

Item	Spare part number	Mat. No.	Qty.	Description
1	01078370	90502436	1	Lever
2	01072520	11177179	2	Lens flange screw
3	01078380	90502444	1	Sheet metal
4	01078390	90502618	1	Shaft
5	01078400	90502428	1	Connecting piece

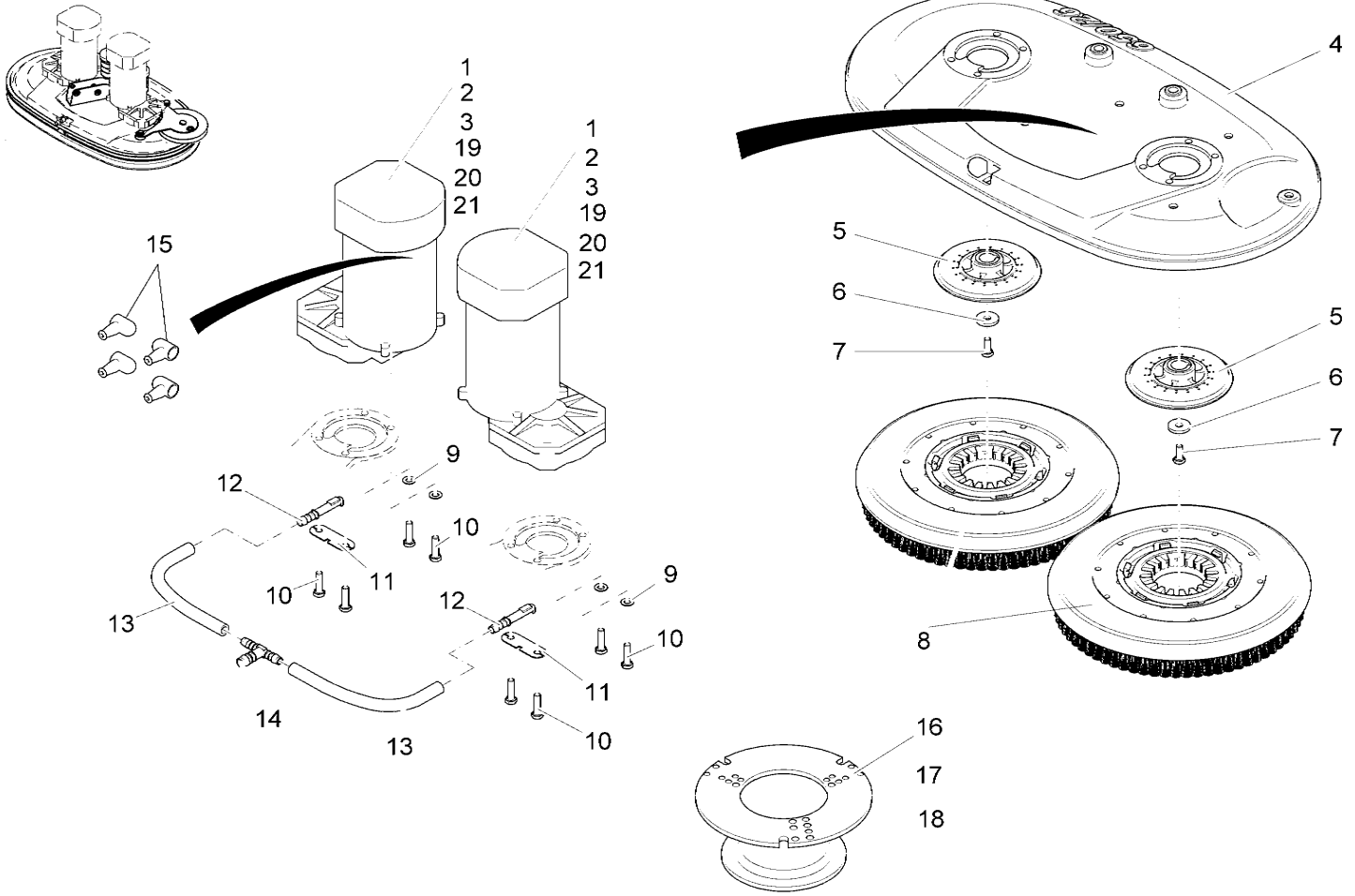
**Machine Labels**



**Bill of Material - 99706111BT190**

Item	Spare part number	Mat. No.	Qty.	Description
1	01077440	17267212	1	Decal DETAILS
2	01077450	17267220	1	Decal 4,5bar
3	03008250	17205121	2	Decal E26
4	03007820	17201145	1	Decal MINUTEMAN
5	03008420	17212194	1	Type plate MINUTEMAN USA

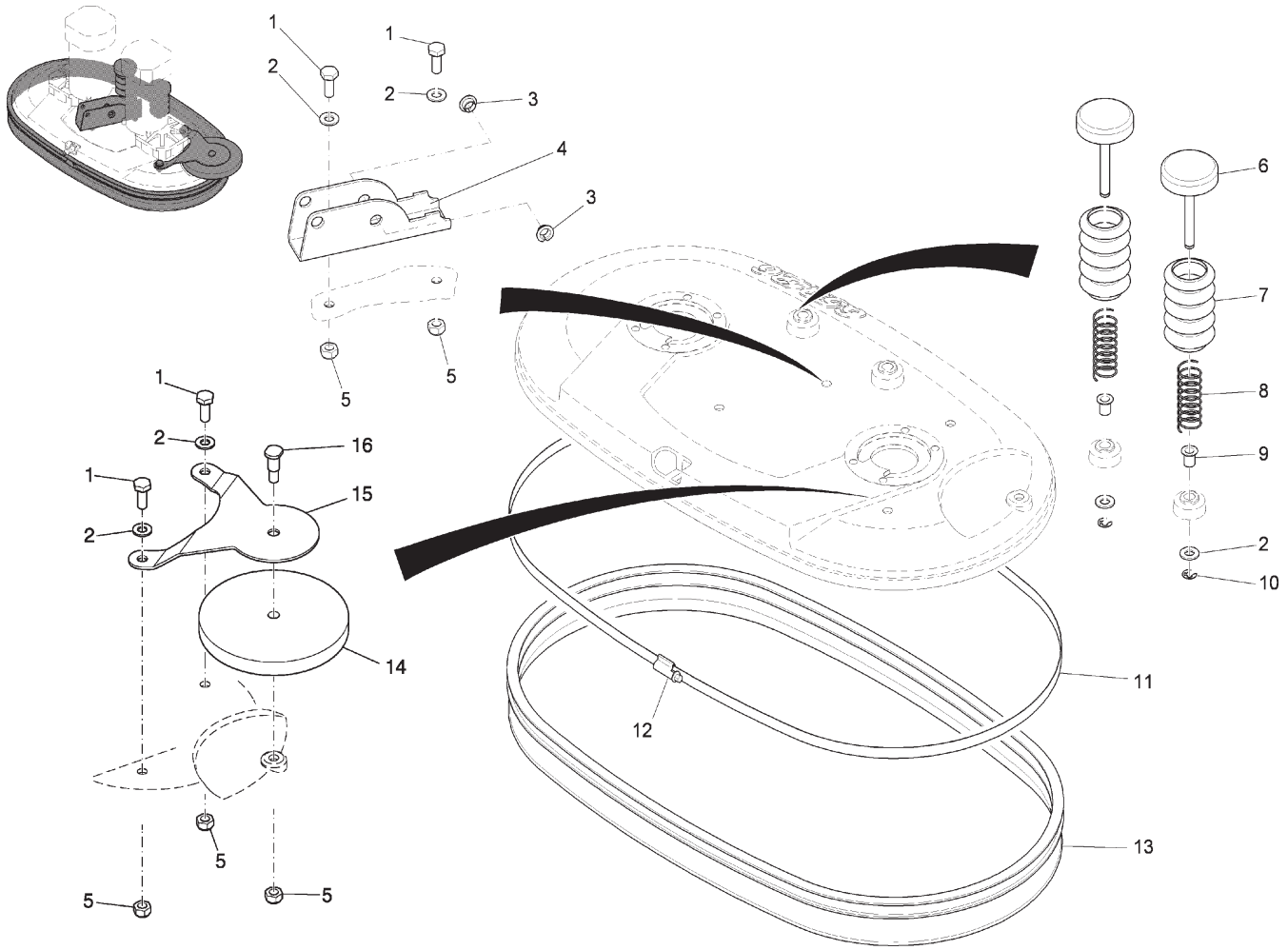
Disc Scrub Deck Assembly I



Bill of Material - 97092191-1-7061-11 (99706111BT200)

Item	Spare part number	Mat. No.	Qty.	Description
1	01077180	90507476	2	Motor
2	01077230	01077230	2	Fitting key
3	01077240	01077240	1	Set (4pc.) Carbon brush
4	03008050	90503178	1	Housing
5	00512400	90324369	2	Carrier
6	00879170	90209537	2	Washer
7	00053090	11038213	2	Hexagon screw
8	99750000	99750000	2	Drive plate USA 330
9	00101550	12310264	4	Washer
10	00053110	11038254	8	Hexagon screw
11	01077750	90500216	2	Sheet metal
12	01078330	90500265	2	Spray tube
13	00180190	25842014	2	Hose
14	00901310	90275157	1	T-reducer muff
15	01078070	90524174	4	Protection cap
16	00681500	90364365	1	Center-lock, lower part
17	00961490	11709011	6	Self tapping screw
18	00681490	90364373	1	Center-lock, upper part
19	01077250	01077250	1	Spring
20	01077210	01077210	1	Gear
21	01077220	01077220	1	Circlip

**Disc Scrub Deck Assembly II**



**Bill of Material - 97092191-2 (99706111BT210)**

Item	Spare part number	Mat. No.	Qty.	Description
1	00053310	11038346	4	Hexagon screw
2	01140500	12310298	6	Washer
3	01171330	14895197	2	Slide bearing bush
4	01170390	90538752	1	Retainer
5	00051500	12040069	5	Hexagon nut
6	01078000	96112388	2	Ejector
7	01078350	90500232	2	Bellow
8	01078340	90500208	2	Compression spring
9	01078360	14895437	2	Slide bearing bush
10	00046280	12640033	2	Thrust washer
11	00712300	17528548	1	Tension band
12	00901390	17528555	1	Tension band lock
13	01077490	90539784	1	Sealing strip
14	01078060	90500224	1	Deflector roller
15	01077560	90500273	1	Retainer
16	01077570	90507831	1	Screw

**Minuteman International Made Simple Commercial Limited Warranty**

**REVISION D  
EFFECTIVE 7/1/2008**

Minuteman International, Inc. warrants to the original purchaser/user that the product is free from defects in workmanship and materials under normal use. Minuteman will, at its option, repair or replace without charge, parts that fail under normal use and service when operated and maintained in accordance with the applicable operation and instruction manuals. All warranty claims must be submitted through and approved by factory authorized repair stations.

This warranty does not apply to normal wear, or to items whose life is dependent on their use and care, such as belts, cords, switches, hoses, rubber parts, electrical motor components or adjustments. Parts manufactured by Minuteman are covered by and subject to the warranties and/or guarantees of their manufacturers. Please contact Minuteman for procedures in warranty claims against these manufacturers.

**Special warning to purchaser** -- Use of replacement filters and/or prefilters not manufactured by Minuteman or its designated licensees, will void all warranties expressed or implied. A potential health hazard exists without original equipment replacement.

All warranted items become the sole property of Minuteman or its original manufacturer, whichever the case may be.

Minuteman disclaims any implied warranty, including the warranty of merchantability and the warranty of fitness for a particular purpose. Minuteman assumes no responsibility for any special, incidental or consequential damages.

This limited warranty is applicable only in the U.S.A. and Canada, and is extended only to the original user/purchaser of this product. Customers outside the U.S.A. and Canada should contact their local distributor for export warranty policies. Minuteman is not responsible for costs or repairs performed by persons other than those specifically authorized by Minuteman. This warranty does not apply to damage from transportation, alterations by unauthorized persons, misuse or abuse of the equipment, use of non-compatible chemicals, or damage to property, or loss of income due to malfunctions of the product.

If a difficulty develops with this machine, you should contact the dealer from whom it was purchased.

This warranty gives you specific legal rights, and you may have other rights which vary from state to state. Some states do not allow the exclusion or limitation of special, incidental or consequential damages, or limitations on how long an implied warranty lasts, so the above exclusions and limitations may not apply to you.

**Cord Electric Group**..... Three years parts, two years labor, ninety days travel (Not to exceed two hours)

**Exceptions**..... Port-A-Scrub, one year parts, six months labor  
MPV 13, one year parts  
V-14, One year parts, one year labor  
MPV 14 and 18, two years parts, one year labor  
RapidAir blower, one year parts, one year labor  
Explosion-Proof Vacuum, one year parts, one year labor  
Pneumatic Vacuums, three years parts, one year labor  
EX 12 and EX12H, one year parts, one year labor  
TRS 14, one year parts, one year labor

**Battery Operated Group**..... Three years parts, two years labor, ninety days travel  
(Not to exceed two hours)

**Exceptions**..... Sweepers, one year parts, one year labor, ninety days travel  
(Not to exceed two hours)

**Internal Combustion Group**....One year parts, one year labor, ninety day travel  
(Not to exceed two hours)

**Battery Chargers**.....One year replacement

**Replacement Parts**.....Ninety days

**Batteries**.....0-3 months replacement, 4-12 months pro-rate

**Polypropylene Plastic Tanks**...Ten years, no additional labor