



Electronic Service Manuals

This electronic document is provided as a service to our customers. We do not create the contents of the information contained in this document. Should you have detailed questions pertaining to the information contained in this document, you may contact Michco, or the manufacturer which provided the original information in this electronic deliverable. Michco's only part in this electronic deliverable was the electronic assembly process.

You may contact Michco through the following methods:
Phone (517) 484-9312 or (800) 331-3339 MI, OH, IN only
2011 N. High St. -- Lansing, Michigan -- 48906
Fax: (517) 484-9836
Email: CustServ@Michco.com
Web site: www.Michco.Com
Parts Web site: www.FloorMachineParts.Com

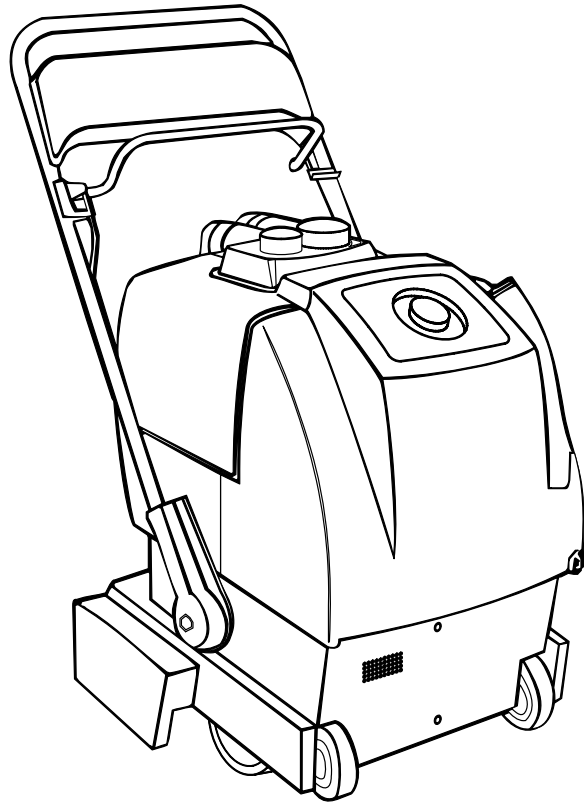
Order Parts on Line at:
www.FloorMachineParts.Com

Directly to Parts & Service:
By Email: **Shop@Michco.com**
By Fax: (517) 702-2041
By Voice: Use numbers above.

Serving the Cleaning Industry Since 1922

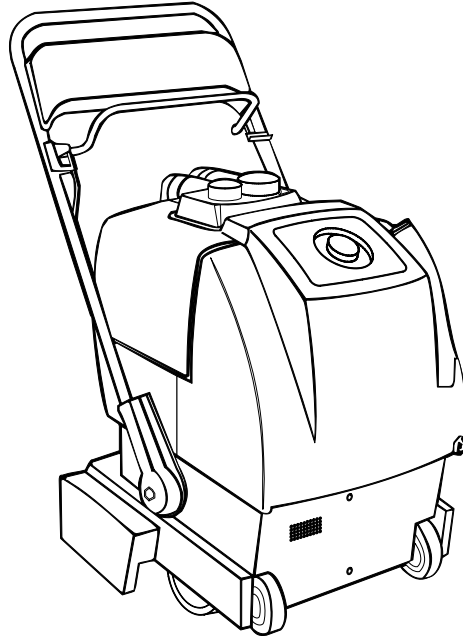
Notice: All copyrighted material remains property of original owners, all trademarks are property of respective owners. Manuals are subject to Manufacturer's reproduction limitations. Originals or reproductions were provided by manufacturers through a request. We make no warranty as to the correctness of information provided in this document and you assume all risk.

DuraTrac™ 19



PARTS LIST **Kent MODEL 56636859**

KENT

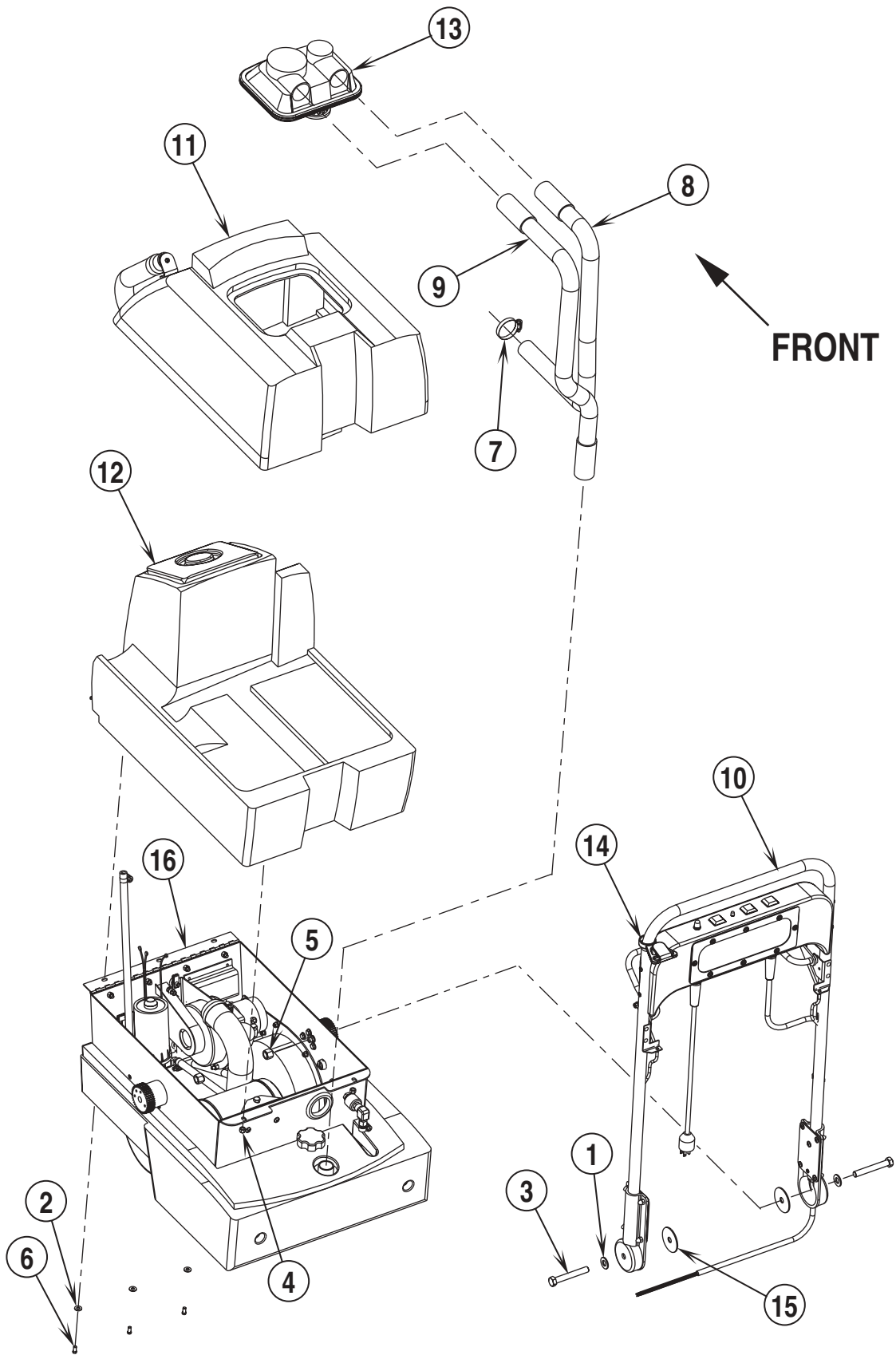


DESCRIPTION	PAGE
FINAL ASSEMBLY	2-3
BASE SYSTEM	4-5
BASE ASSEMBLY	6-7
BASE SYSTEM COMPONENTS	8-9
SOLUTION TANK ASSEMBLY	10-11
RECOVERY TANK ASSEMBLY	12-13
HANDLE ASSEMBLY	14-15
WIRING DIAGRAM	16-17

WHEN ORDERING PARTS

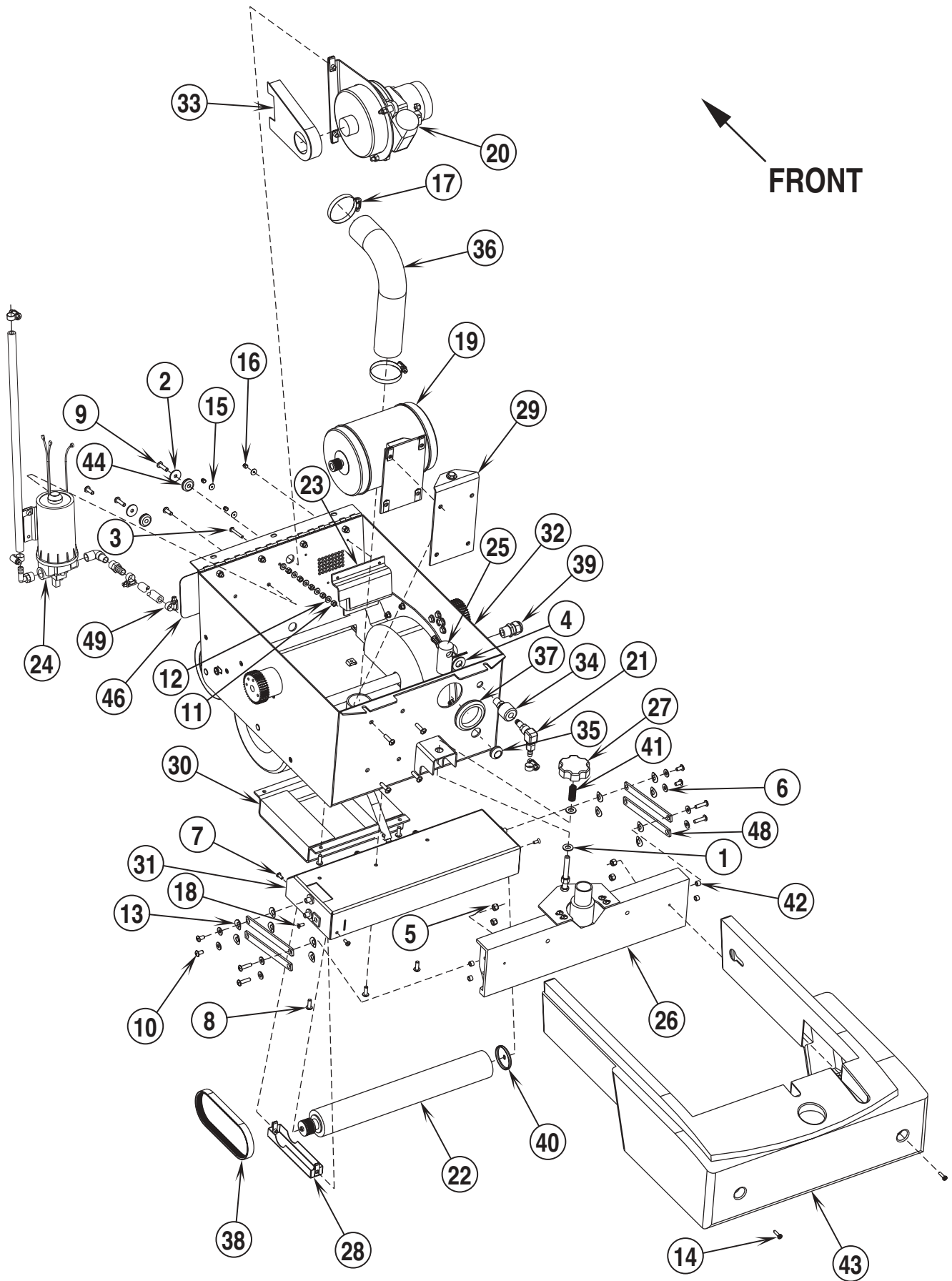
- * Use the 8 digit numbers from the "Ref. No." columns in this parts list.
- * Specify the model and serial number of the machine.
- * Use the space below to record the model and serial number for future reference.

Model _____ Serial No. _____



Item	Ref. No.	Qty	Description
1	56001879	2	Wsh, Flt SAE 1/2
2	56002098	3	Wsh, Flt SAE 1/4
3	56002331	2	Scr, Hex Hd 1/2-13 x 3.50
4	56002708	2	Nut, Hex Nyl Loc 1/4-20
5	56002770	2	Nut, Hex Nyl Loc 1/2-13
6	56002801	3	Scr, Hex Hd SS 1/4-20 x .50
7	56329145	1	Clamp, Hose SAE #24
8	56035164	1	Hose
9	56035165	1	Hose
10	56035344	1	Handle Assy (see associated pages)
11	56035347	1	Recovery Tank Assy (see associated pages)
12	56035364	1	Solution Tank Assy (see associated pages)
13	56035572	1	Recovery Lid Assy
*	56056378	1	Cover, Recovery Tank
*	56056379	1	Gasket, Foam
*	56057689	1	Filter, Float Ball
14	56056550	1	Strain Relief Cleat
15	56056787	2	Plate, Spacer
16	N/A	1	Base System (see associated pages)
*	56026015	1	Cord, Power

* = Not Shown



99-11	BASE SYSTEM			
05-2	DuraTrac™ 19			5

Item	Ref. No.	Qty	Description	Item	Ref. No.	Qty	Description
1	56002063	3	Wsh, Flt SAE 3/8	25	56035178	1	Valve Assy
2	56009060	2	Wsh, Flt SS .260 x 1.000 x .074	*	56026017	1	Valve, Solenoid
3	56002231	1	Scr, Pan Phil 10-24 x 1.50	*	56155640	1	Barb, 3/8 x 1/4 Brass
4	56002319	1	Wsh, Flt SAE 9/16	26	56035192	1	Vac Chamber Assy
5	56002491	4	Nut, Hex Nyl Loc SS 1/4-20				(see base sys components)
6	56002859	8	Wsh, Flt SAE SS 1/4	27	56035206	1	Knob Assy
7	56002900	2	Scr, Pan Phil SS 10-24 x .50	*	56056653	1	Knob, Plastic
8	56002957	9	Scr, Pan Phil SS 1/4-20 x .75	*	56009183	1	Scr, Soc Set Loc 10-24 x .019
9	56003067	10	Scr, Pan Phil SS 1/4-20 x 1.00	28	56035230	1	Bracket
10	56003119	4	Scr, Pan Phil SS 1/4-20 x .50	29	56035340	1	Takeup Assy
11	56009009	5	Nut, Hex Machine 10-24	*	56035339	1	Weld't, Takeup
12	56009011	5	Wsh, Int SHPRF #10	*	56035338	1	Weld't, Plate W/nut
13	56009024	12	Wsh, Bowed .375 x .844 x .060	*	56001834	1	Scr, Hex Hd 5/16-18 x 1.25
14	56009043	2	Scr, Pan Phil Thd Form 10-24 x .75	*	56002063	1	Wsh, Flt SAE 3/8
15	56009098	3	Wsh, Flt SS .125 x .500 x .036	30	56035349	1	Exhaust Muffler Assy
16	56003647	3	Rivet, Pop .125 x .250	*	56057062	1	Aluminum Bracket
17	56440213	2	Clamp, Hose SAE #32	*	56056567	2	Foam
18	56003558	2	Scr, Flt Phil SS 10-24 x .50	31	56035350	1	Extractor Assy
19	56025999	1	Motor Assy				(see base sys components)
*	56025998	1	Motor AC, 115V/208-230V	32	56035352	1	Base Assy
*	56056606	1	Pulley, Groove				(see associated pages)
*	56001984	1	Pin, Spr .12 x .75	33	56035383	1	Plate Assy
*	56009289	4	Nut Clamp	*	56057128	1	Plate, Aluminum
*	56025777	1	Wire Assy	*	56057129	1	Gasket, Foam
*	56056607	1	Romex Clamp 1/2"	34	56050815	1	Coupling, Quick Disconnect
*	56900902	2	Receptacle, .25	35	56052338	1	Grommet
20	56026016	1	Vac Motor Assy	36	56052881	1	Hose
			(see base sys components)	37	56053901	1	Grommet
21	56034776	1	Coupler Assy	38	56407466	1	Belt, Poly-V
*	56050814	1	Coupler	39	56323135	1	Strain Relief
*	56752754	1	Barb, Hose, 3/8 x 1/4 Female Brass	40	56055578	1	Thread Form
*	56050199	1	Elbow	41	56056483	1	Spring, Compression
22	56035151	1	Brush Assy	42	56056522	4	Bushing, Sleeve
			(see base sys components)	43	56056526	1	Cover, Machined
23	56035157	1	Cooling Muffler Assy	44	56056551	2	Grommet
*	56056568	1	Air Cooling Muffler	45			Intentionally Omitted
*	56056569	1	Self Adhesive Foam	46	56057635	1	Decal, Warning
24	56035176	1	Pump Assy	47			Intentionally Omitted
*	56035162	1	Pump	48	56644457	4	Bar, Steel
*	56900021	1	Elbow, Str 90 Deg.	49	56756364	3	Clamp, Hose SAE #4
*	56753691	1	Fitting Brass	*	56026005	1	Wire Assembly 16 GA white 4CNDCT, QD
*	56409507	1	Barb 3/8NPT x 1/2				
*	56756364	2	Clamp, Hose SAE #4				
*	56396180	1	Hose, Spiral				
*	56054146	1	Hose, 20"				
*	56009289	2	Nut, Speed				

* = Not Shown

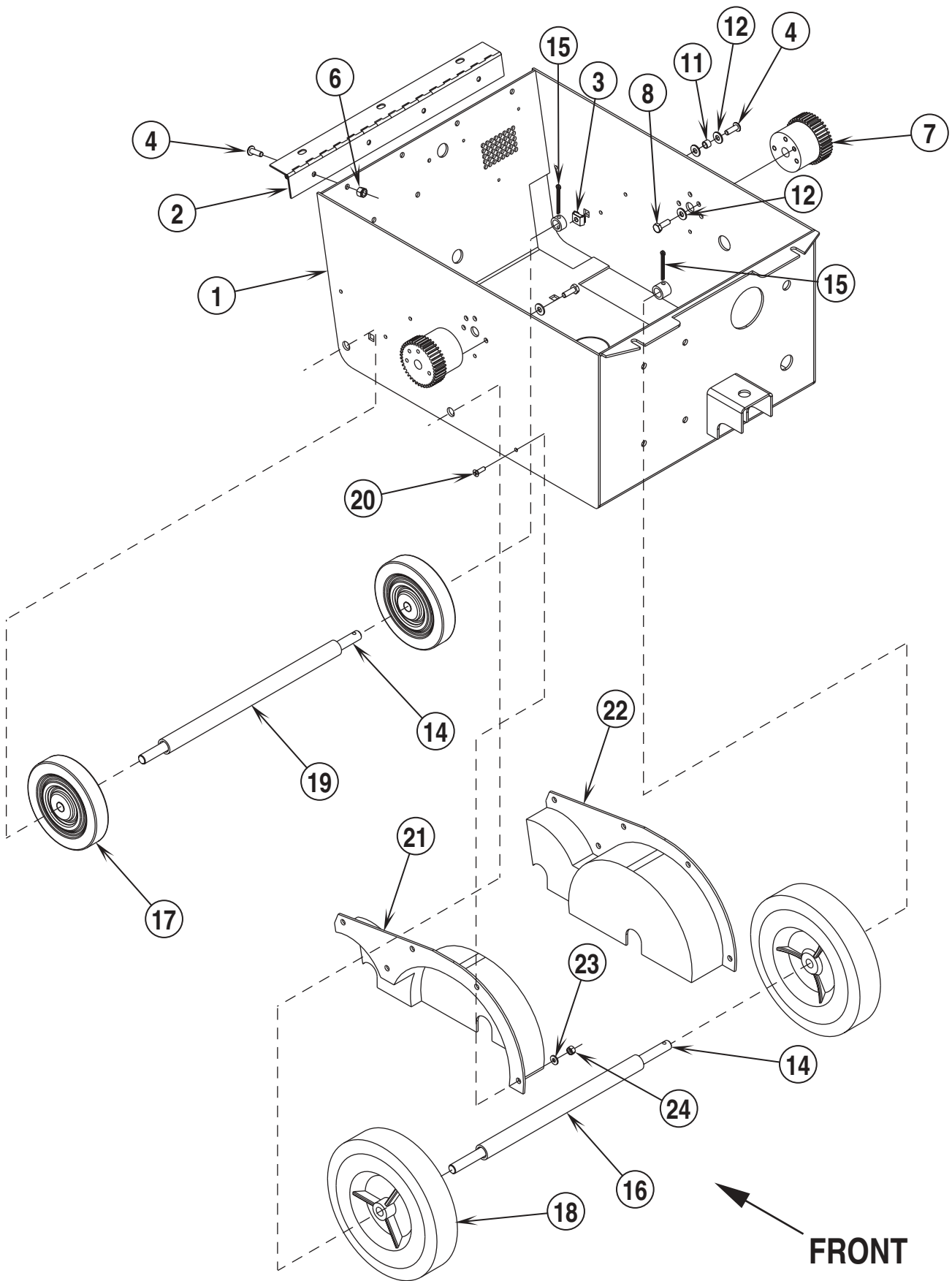
BASE ASSEMBLY

99-11

6

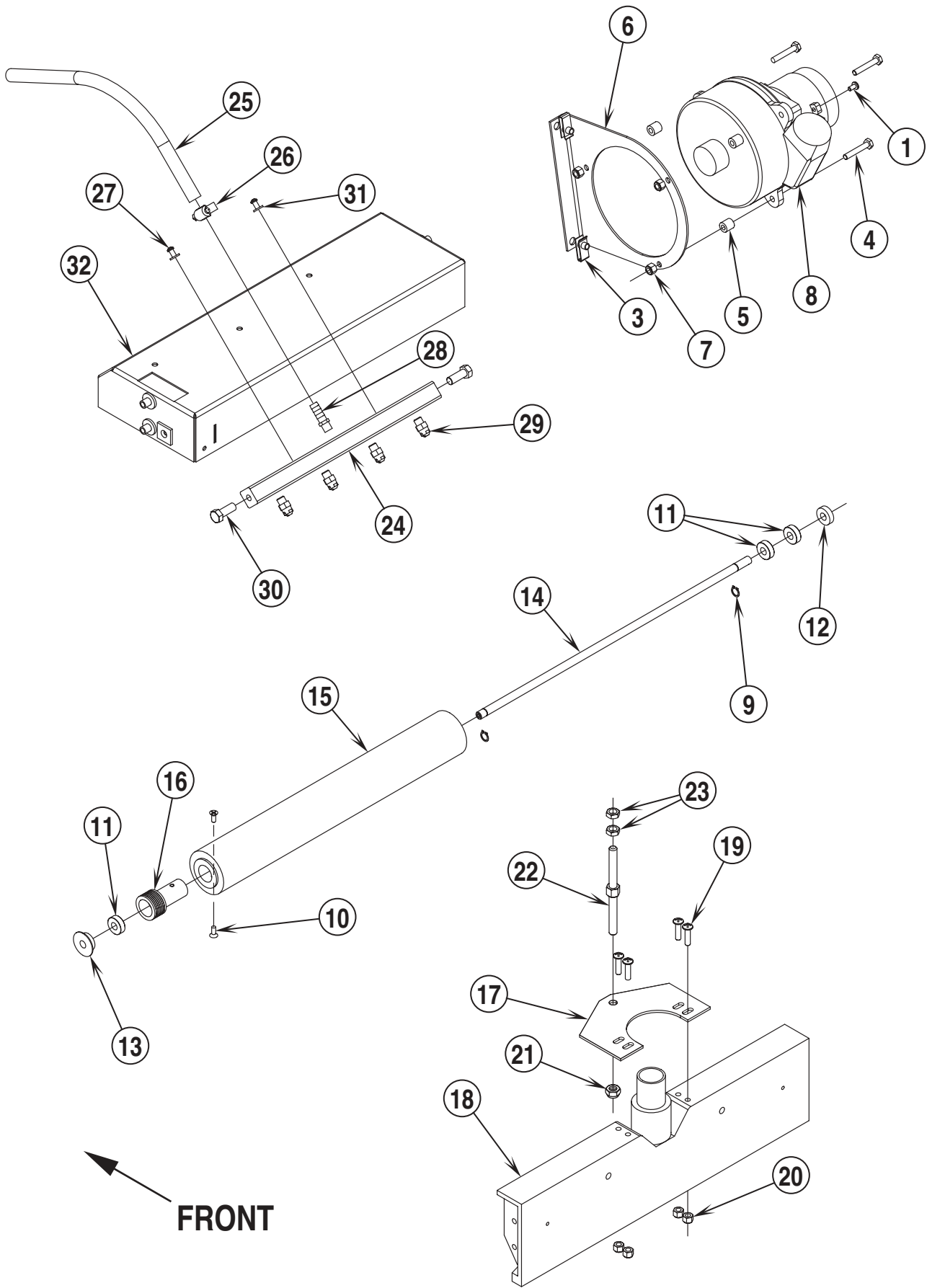
DuraTrac™ 19

01-11

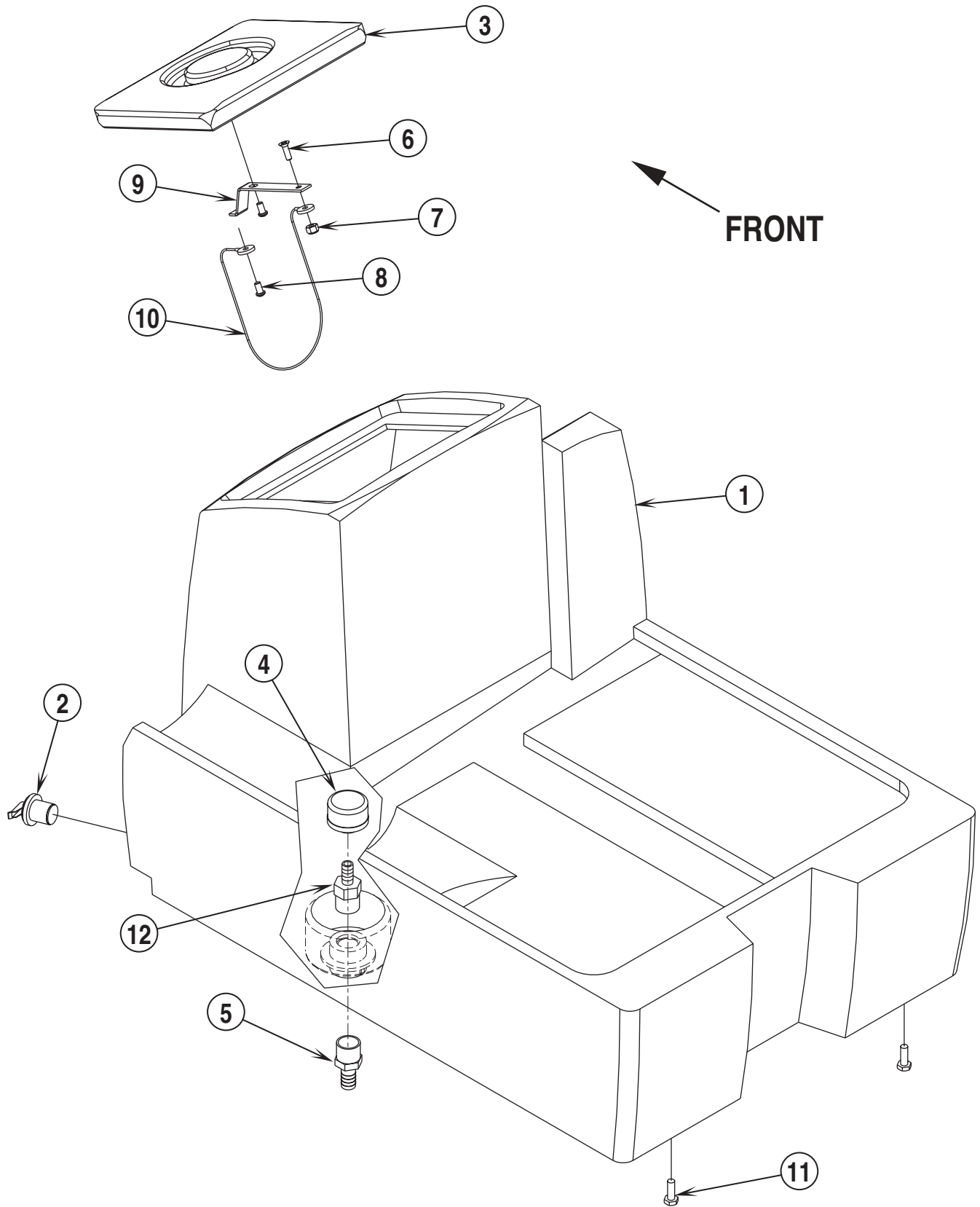


99-11	BASE ASSEMBLY		
01-11	DuraTrac™ 19		7

Item	Ref. No.	Qty	Description
	56035352	1	Base Assy (#1-24)
1	56035425	1	Extractor Base
2	56056556	1	Hinge
3	56009280	9	1/4-20 Self Retaining Nut
4	56002597	6	Scr, Hex Hd 3/8-24 x .75
5			Intentionally Omitted
6	56002491	4	Nut, Hex Nyl Loc SS 1/4-20
7	56057249	2	Gear
8	56002948	8	Scr, Hex Loc 1/4-20 x .75
9			Intentionally Omitted
10			Intentionally Omitted
11	56056522	2	Bushing
12	56002098	12	Wsh, Flt SAE 1/4
13			Intentionally Omitted
14	56056554	2	Wheel Axle
15	56002181	2	Pin, Cotter .12 x 1.50
16	56330047	1	Wheel Spacer TSB 798
17	56048058	2	Wheel, 5" Dia.
18	56210148	2	Wheel, 8" Dia. TSB 798
19	56056860	1	1/2" Nom Plastic Pipe x 12.50"
20	56003056	10	Scr, Flt Phil SS 10-24 x .62
21	56056415	1	Cover, Wheel
22	56056414	1	Cover, Wheel
23	56002916	10	Wsh, Flt SAE SS #10
24	56002836	10	Nut, Hex Nyl Loc SS 10-24

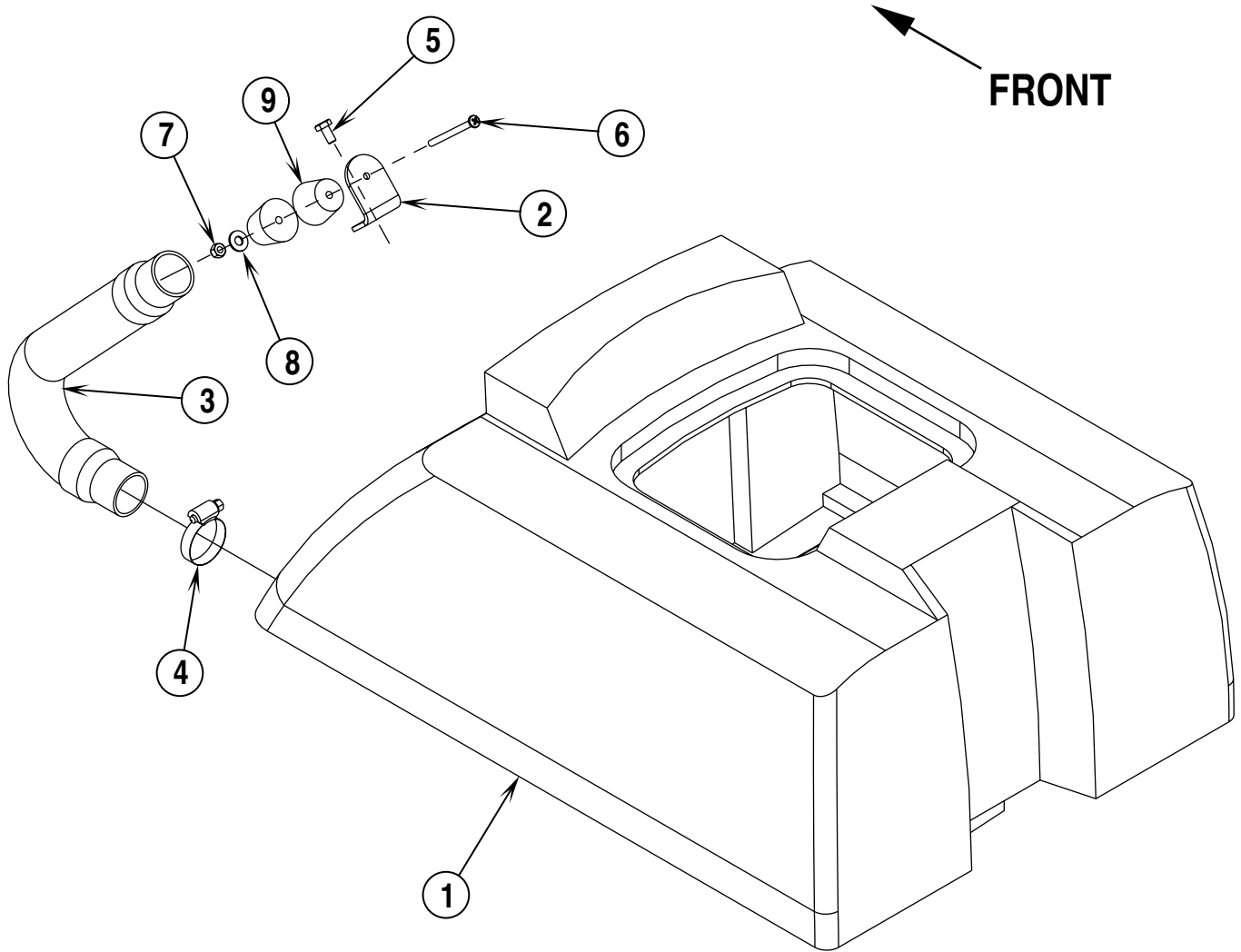


Item	Ref. No.	Qty	Description
	56026016	1	Vac Motor Assy (#1-8)
1	56009030	1	Scr, Pan Phil Thd Form 10-24 x .38
2			Intentionally Omitted
3	56009289	2	Nut, Clamp
4	56001833	3	Scr, Hex Hd 1/4-20 x 1.50
5	56046309	3	Spacer, Phenolic
6	56056581	1	Bracket, Vac Motor
7	56002708	3	Nut, Hex Nyl Loc 1/4-20
8	56262536	1	Motor, Vacuum 115V
	56035151	1	Brush Assy (#9-16)
9	56003253	2	Ring, Ret Ext
10	56003558	2	Scr, Flt Phil SS 10-24 x .50
11	56027197	3	Bearing, Ball
12	56054730	1	Seal, Grease
13	56055588	1	Spacer, Seal
14	56056555	1	Axle, Brush
15	56056558	1	Brush, Cylindrical
16	56056606	1	Pulley, Grooved
	56035192	1	Vac Chamber Assy (#17-23)
17	56035191	1	Vac Chamber Lift Bracket
18	56056661	1	Casting, Vac Chamber
19	56003067	4	Scr, Pan Phil SS 1/4-20 x 1.00
20	56002491	4	Nut, Hex Nyl Loc SS 1/4-20
21	56002769	1	Nut, Hex Nyl Loc 3/8-16
22	56056444	1	Stud, Cont Thd 3/8-16 x 5.00
23	56009085	2	Nut, Hex Jam 3/8-16
	56035350	1	Extractor Assy (#24-32)
24	56057891	1	Tube, Solution
25	56054146	1	Hose x 20"
26	56756364	1	Clamp, Hose SAE #4
27	56009247	2	Scr, Pan Phil Plastite 10-14 x .38
28	56104229	1	Barb, 3/8 x 1/8 Brass
29	56056098	4	Nozzle, Spray 110 Deg.
30	56002256	2	Scr, Hex Type 1 3/8-16 x 1.00
31	56009011	2	Wsh, Int SHPRF #10
32	56035351	1	Weld't, Extractor Head



99-11	SOLUTION TANK ASSEMBLY		
01-5	DuraTrac™ 19		11

Item	Ref. No.	Qty	Description
1	56057068	1	Tank, Solution
2	56054583	1	Expansion Plug
3	56057080	1	Lid, Solution
4	56057209	1	Strainer
5	56118117	1	Barb 1/2 x 1/2 Brass
6	56003056	1	Scr, Flt Phil SS 10-24 x .50
7	56002836	1	Nut, Hex Nyl Loc SS 10-24
8	56009247	2	Scr, Pan phil Plastite 10-14 x .38
9	56057649	1	Bracket, SS
10	56056819	1	Wire Rope
11	56009018	2	Scr, Hex Thd Form 1/4-20 x .75
12	56051207	1	Adapter, 1/2MPT x 3/8HS



Item	Ref. No.	Qty	Description
1	56056436	1	Tank, Recovery
2	56057055	1	Bracket, Aluminum
3	56056533	1	Hose, Vinyl
4	56131601	1	Clamp, Hose SAE #16
5	56003039	1	Scr, Hex Loc 1/4-20 x .50
6	56003554	1	Scr, Pan Phil SS 10-24 x 2.50
7	56002836	1	Nut, Hex Nyl Loc 10-24
8	56002859	1	Wsh, Flt SAE SS 1/4
9	56056456	2	Stopper, Bottle

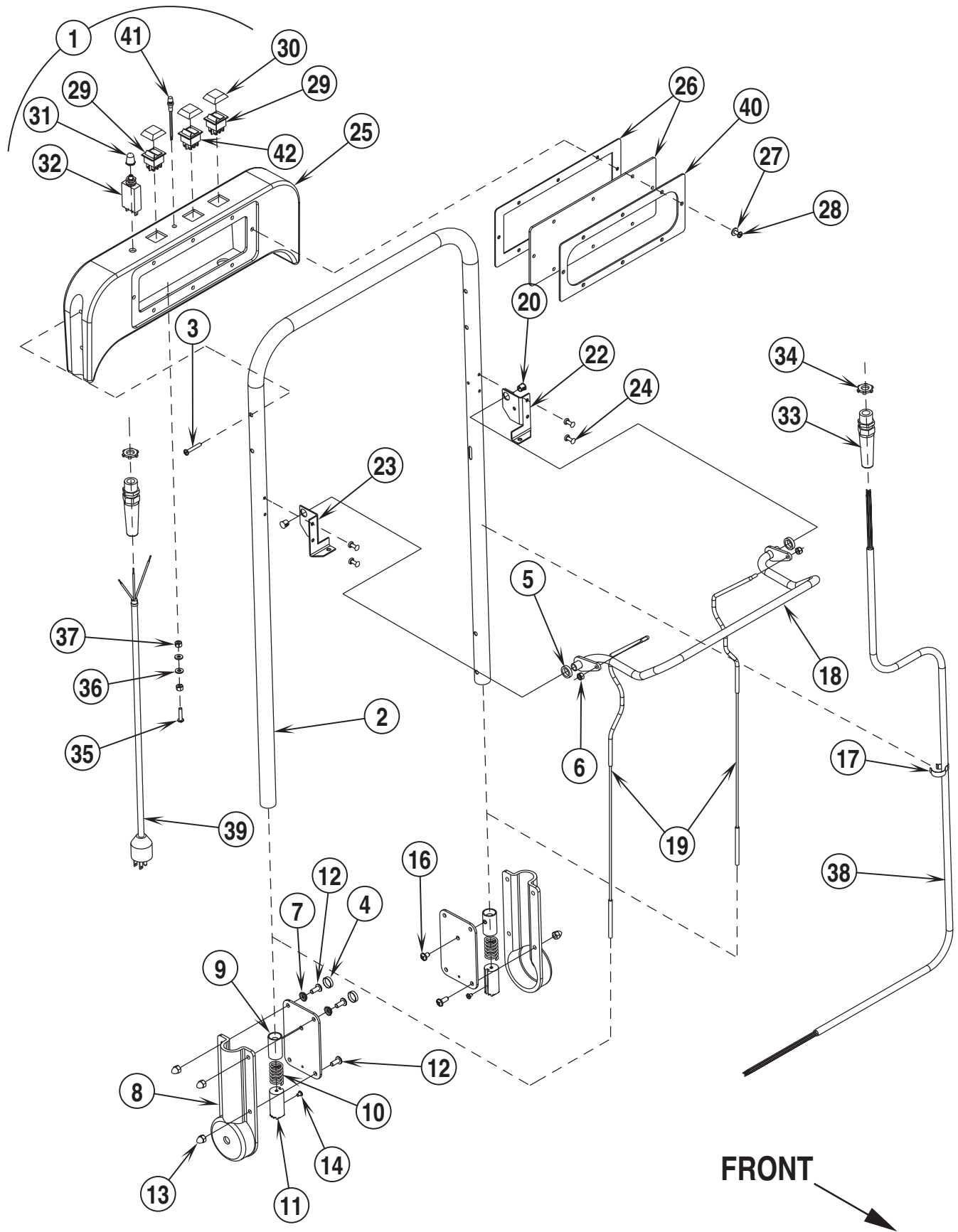
HANDLE ASSEMBLY

99-11

14

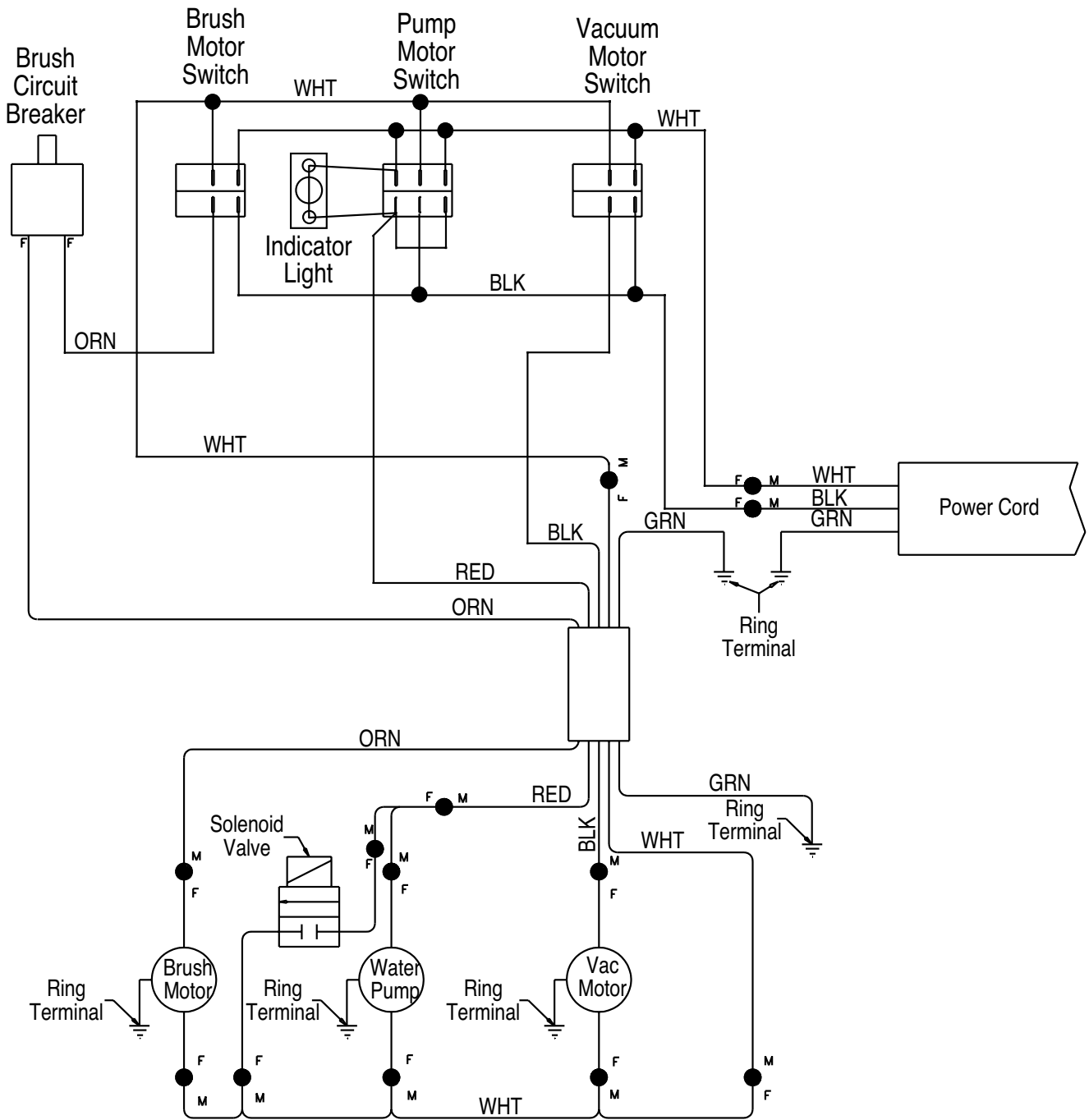
DuraTrac™ 19

01-5



99-11	HANDLE ASSEMBLY			
01-5	DuraTrac™ 19			15

Item	Ref. No.	Qty	Description
1	56035147	1	Control Panel Assy (#25-42)
2	56639528	1	Weld't, Handle
3	56003560	4	Scr, Pan Phil 10-32 x 1.25
4	56323262	4	Cover, Screw
5	56056537	2	Nylon Washers
6	56002873	2	Nut, Hex Nyl Loc 10-32
7	56323261	4	Base, Screw
8	56057052	2	Pivot Casting
9	56056599	2	Locking Spacers
10	56056519	2	Spring
11	56056614	2	Latching Pin
12	56002066	8	Scr, Pan Phil 1/4-20 x .62
13	56002052	8	Acorn Nut, 1/4-20
14	56003188	2	Scr, Pan Phil SS 8-32 x .25
15			Intentionally Omitted
16	56002478	2	Scr, Mach Rd Hd SS 1/4-20 x .38
17	56056612	1	Spring Clip
18	56639530	1	Weld't, Lever
19	56057051	2	Cable
20	56493149	2	Plug, Cap
21			Intentionally Omitted
22	56057053	1	Plate, STL-RH
23	56057054	1	Plate, STL-LH
24	56003548	6	.188 Pop Rivets
25	56056538	1	Control Panel
26	56035146	1	Assy, Gasket & Cover
	56056548	1	Cover
	56056547	1	Gasket
27	56001954	8	Wsh, Flt SAE #10
28	56002147	8	Scr, Pan Phil 10-32 x .50
29	56027142	2	Switch, DPST
30	56056544	3	Rubber Boot
31	56056546	1	Rubber Boot
32	56387316	1	10 Amp Circuit Breaker
33	56027003	2	Strain Relief
34	56009095	2	Nut, Conduit Lock
35	56002996	1	Scr, Pan Phil 10-32 x .88
36	56009011	2	Wsh, Int SHPRF #10
37	56001987	2	Nut, Hex Machine 10-32
38	56026012	1	16/5 Cord
39	56026010	1	14/3 Power Cord
40	56056759	1	Stl Plate
41	56027158	1	Light, Green 120V
42	56027107	1	Switch, DPDT



99-11

WIRING DIAGRAM

01-5

DuraTrac™ 19**17**

Ref. No.	Qty	Description
56387316	1	Brush Circuit Breaker, 10A
56027142	1	Brush Motor Switch, DPST
56027158	1	Light, Green 120V
56027107	1	Pump Motor Switch, DPDT
56027142	1	Vac Motor Switch, DPST
56025999	1	Brush Motor
56026017	1	Solenoid Valve
56035162	1	Water Pump
56262536	1	Vacuum Motor

KENT

14600 21st Avenue North
Plymouth, MN, 55447-3408
www.kenturoclean.com
Phone: 800-334-1083
Fax: 866-261-4779
©2005 Printed in the U.S.A.