



Electronic Service Manuals

This electronic document is provided as a service to our customers. We do not create the contents of the information contained in this document. Should you have detailed questions pertaining to the information contained in this document, you may contact Michco, or the manufacturer which provided the original information in this electronic deliverable. Michco's only part in this electronic deliverable was the electronic assembly process. By providing this manual on line we are not guaranteeing parts availability.

You may contact Michco through the following methods:

Phone (517) 484-9312 or (800) 331-3339

2011 N. High St. -- Lansing, Michigan -- 48906

Fax: (517) 484-9836

Email: CustServe@Michco.com

Web site: www.Michco.Com

Parts Web site: www.FloorMachineParts.Com

Order Parts on Line at:

www.FloorMachineParts.Com

Directly to Parts & Service:

By Email: **Shop@Michco.com**

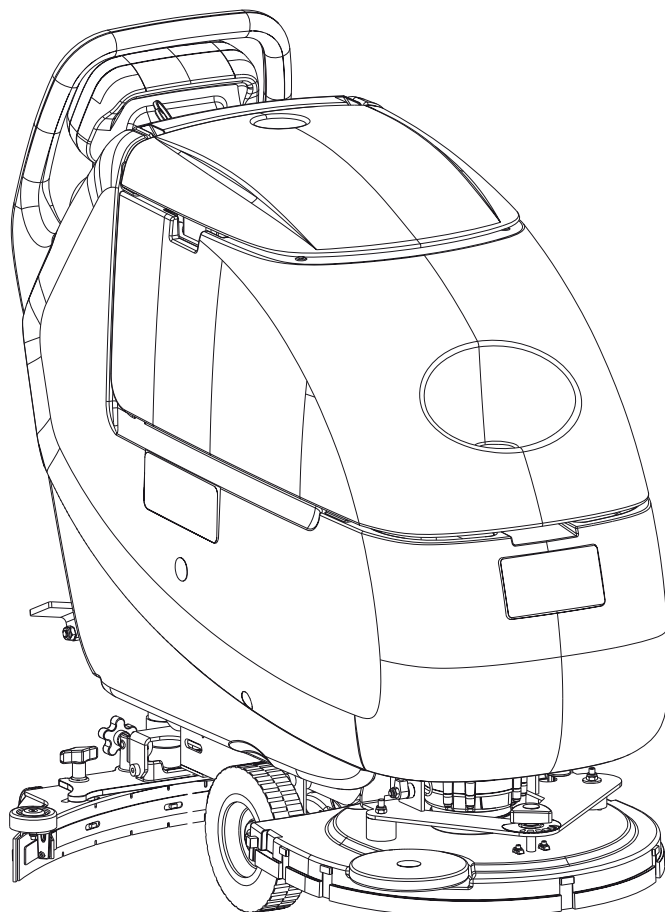
By Fax: (517) 702-2041

By Voice: Use numbers above.

Serving the Cleaning Industry Since 1922

Notice: All copyrighted material remains property of original owners, all trademarks are property of respective owners. Manuals are subject to Manufacturer's reproduction limitations. Originals or reproductions were provided by manufacturers through a request. We make no warranty as to the correctness of information provided in this document and you assume all risk. By placing these manuals on line we are not declaring our corporation to be an manufacturer authorized dealer or provider, please check our web site for authorized manufacturers we represent.

Razor™ 20 / 20T



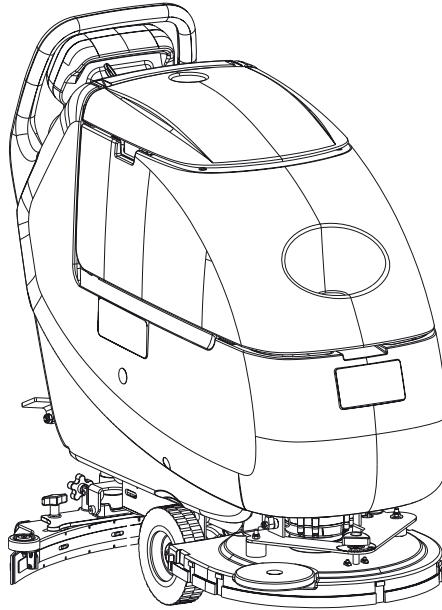
PARTS LIST

Kent models: 9087200020
9087201020

KENT

Simple. Clean.

9097064000(3)2009-06



DESCRIPTION

PLAN

GENERAL VIEW	2 - 3
SOLUTION TANK	4 - 5
RECOVERY TANK	6 - 7
CHASSIS SYSTEM	8 - 9
WHEEL SYSTEMS	10 - 11
HANDLE ASSEMBLY	12 - 13
SOLUTION SYSTEM	14 - 15
SQUEEGEE SYSTEM	16 - 17
BRUSH SYSTEM Razor™ 20	18 - 19
BRUSH SYSTEM Razor™ 20T	20 - 21
ACCESSORIES	22 - 23
CONTROL PANEL SYSTEM Razor™ 20	24 - 25
CONTROL PANEL SYSTEM Razor™ 20T	26 - 27
ELECTRICAL COMPONENTS Razor™ 20	28 - 29
ELECTRICAL COMPONENTS Razor™ 20T	30 - 31
WIRING DIAGRAMS	32 - 33
RECOMMENDED SPARE PARTS	34 - 35

WHEN ORDERING PARTS

- * Use the 8, 9 or 10 digit numbers from the "Ref. No." columns in this parts list.
- * Specify the model and serial number of the machine.
- * Use the space below to record the model and serial number for future reference.

Model _____ Serial No. _____

*** = Optional**

= Modified item No. or New item No.

[] = Not shown

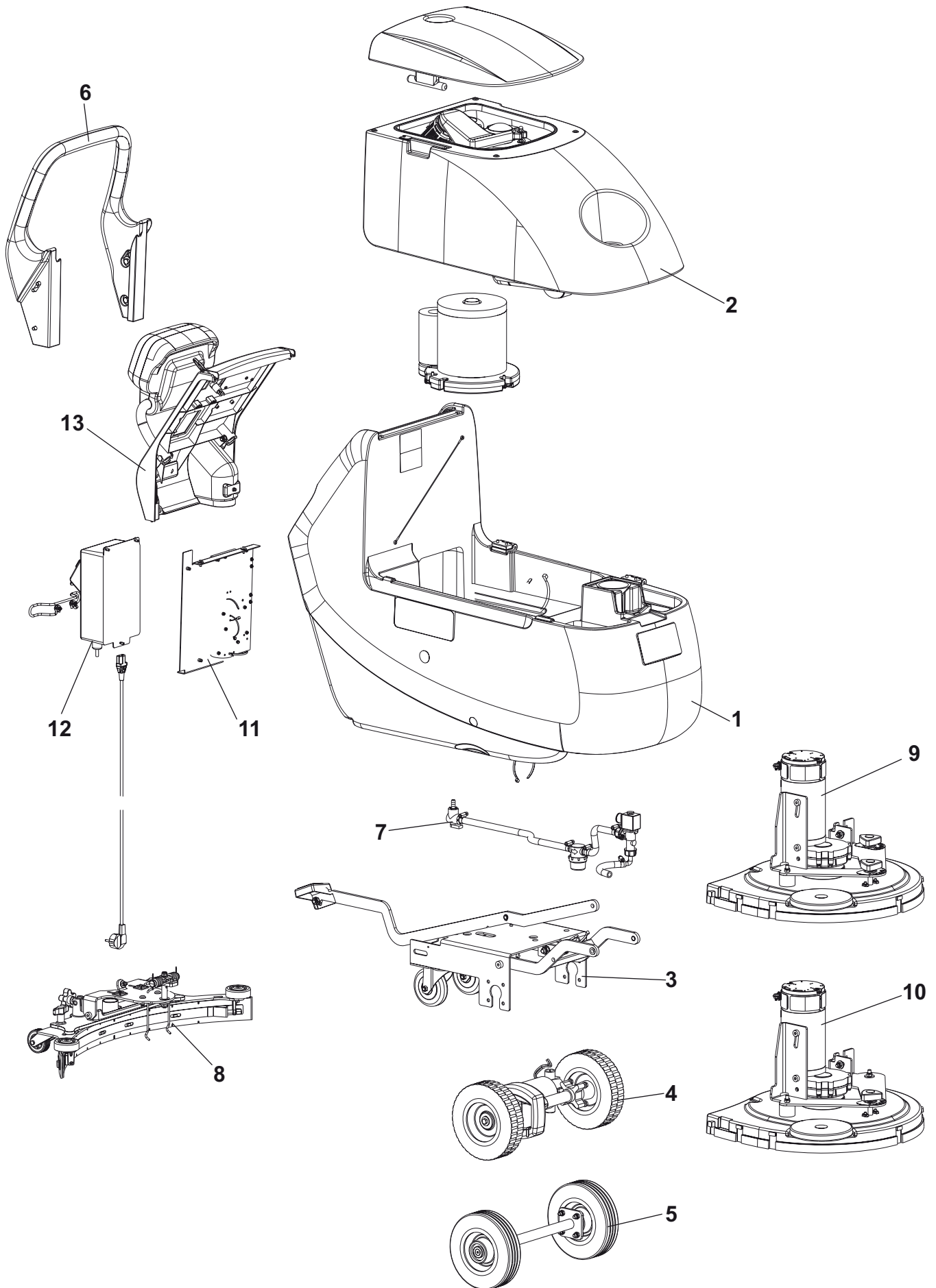
GENERAL VIEW

2007-06

2

Razor™ 20 - 20T

2009-06



2007-06	GENERAL VIEW			
2009-06	Razor™ 20 - 20T			3

Item No.	Ref. No.	Qty	Description
1		1	SOLUTION TANK
2		1	RECOVERY TANK
3		1	CHASSIS SYSTEM
4		1	WHEELS TRACTION SYSTEM
5		1	WHEELS SYSTEM
6		1	HANDLE SYSTEM
7		1	SOLUTION SYSTEM
8		1	SQUEEGEE SYSTEM
9		1	BRUSH SYSTEM Razor™ 20
10		1	BRUSH SYSTEM Razor™ 20T
11		1	ELECTRICAL COMPONENTS
12		1	BATTERY CHARGER ASSEMBLY
13		1	CONTROL PANEL SYSTEM

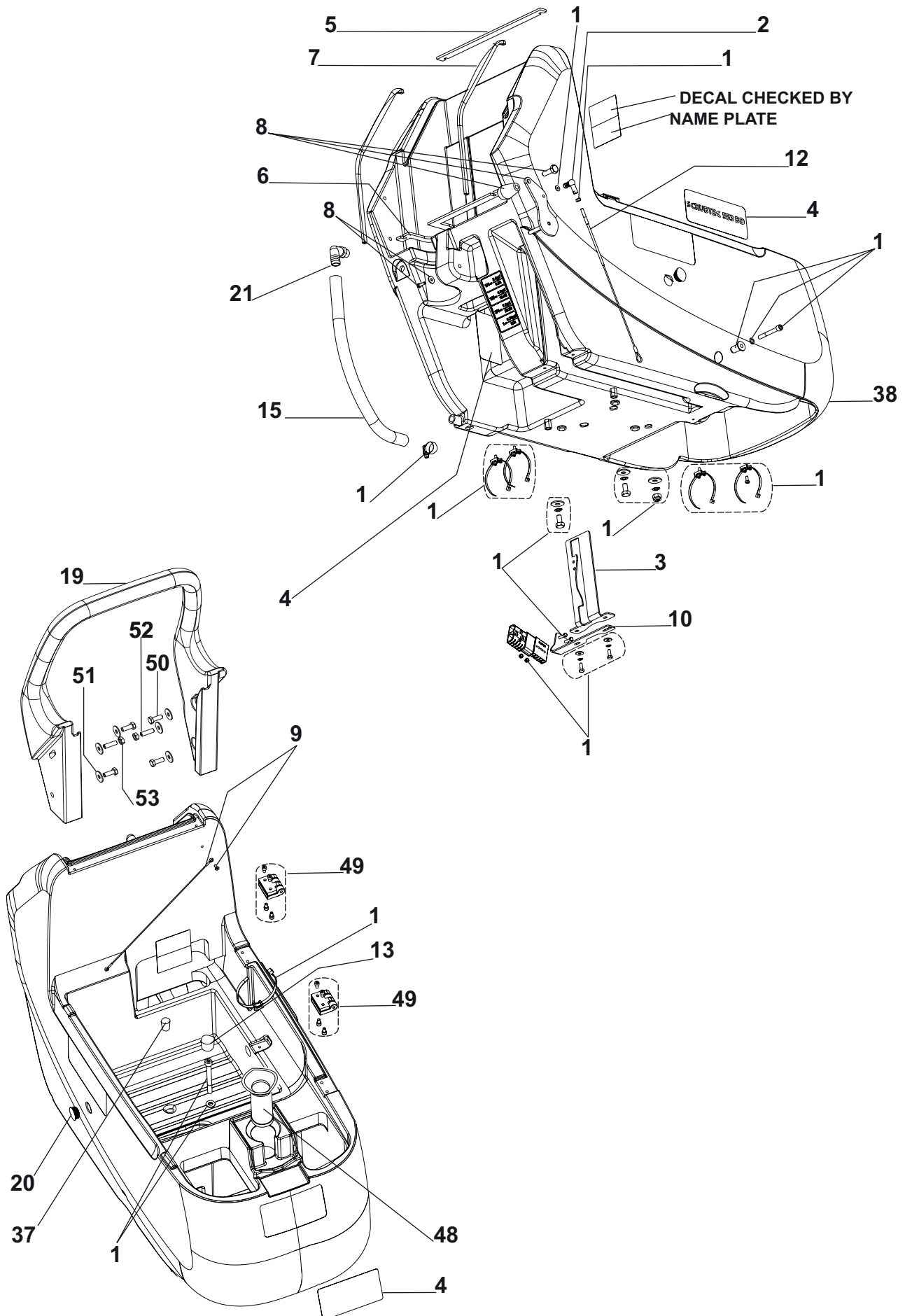
SOLUTION TANK

2007-06

4

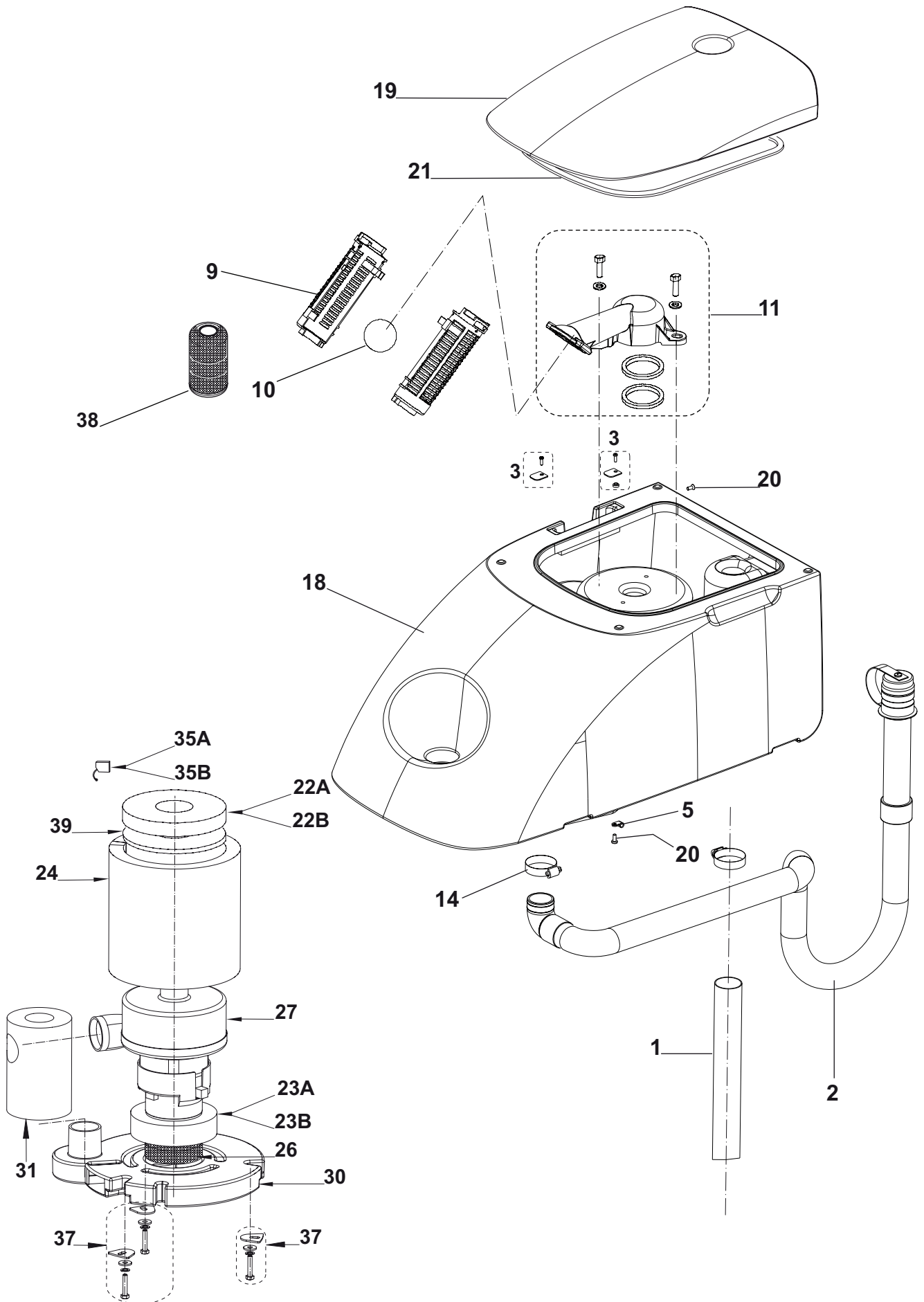
Razor™ 20 - 20T

2009-06



2007-06	SOLUTION TANK			
2009-06	Razor™ 20 - 20T			5

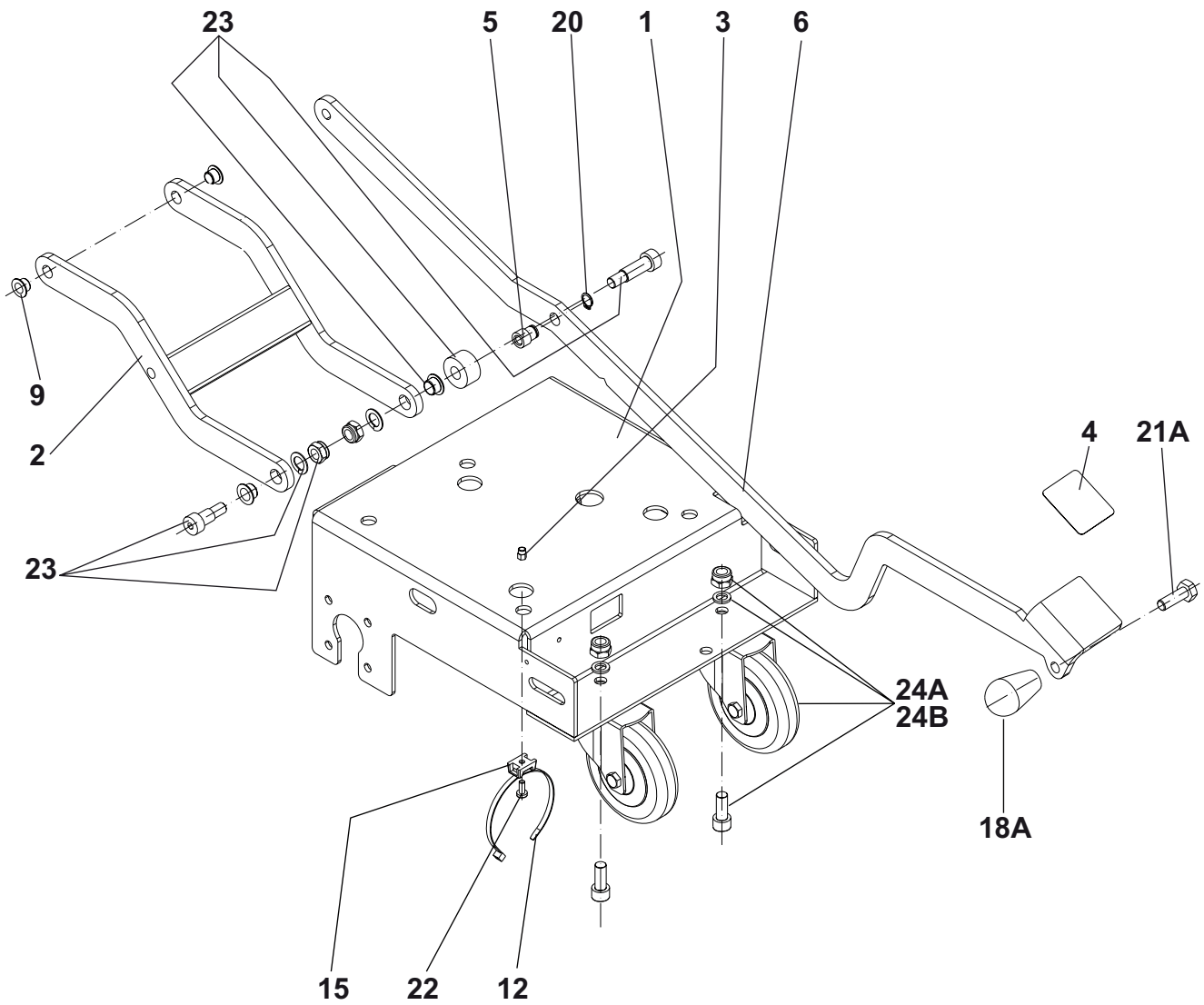
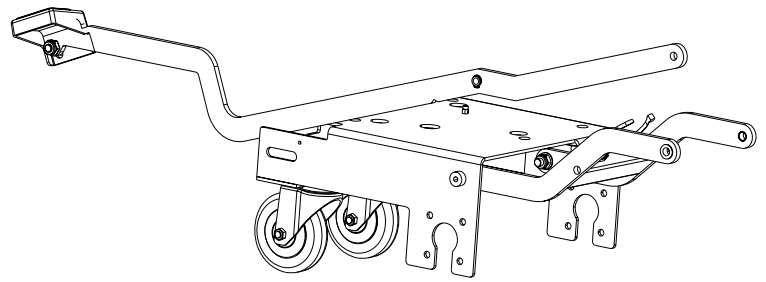
Item No.	Ref. No.	Qty	Description
1#	9098265000	1	SOLUTION TANK HARDWARE KIT
2	145 8479 000	1	DOWEL M6
3	909 6493 000	1	PEDAL SUPPORT
4#	9098350000	1	DECALS KIT
5	909 6596 000	1	GASKET
6	909 6597 000	1	GASKET
7	909 6892 000	2	GASKET
8#	9097630000	1	HARDWARE SQUEEGEE LEVER FIXING KIT
9	909 6874 000	1	CABLE TANK BLOCK KIT
10	909 6649 000	1	BRACKET CONNECTOR SUPPORT
12	909 6662 000	1	SQUEEGEE LIFTING CABLE
13	909 6673 000	1	CAP
15	9097296000	1	FRESH WATER HOSE
19	9097019000	1	HANDLE BAR
20	L08812457	2	TANK LOCKING CAP
21	56264442	1	FITTING PIPE
37	909 6236 000	1	BLACK CAP
38	9097020000	1	SOLUTION TANK 35 LT
48#	9097192000	1	FILTER WATER INLET
49#	9098329000	1	HINGES KIT
50	33005445	4	SCRE HEX HD M8X25
51	L08300000	6	WASHER FLAT XL
52	145 8412 000	2	SCREW GRUB M8X30 UNI5929
53	146 1567 000	2	NUT HEX M8



2007-06	RECOVERY TANK			
2009-06	Razor™ 20 - 20T			7

Item No.	Ref. No.	Qty	Description
1	909 6230 000	1	VACUUM HOSE
2	909 6528 000	1	DRAIN HOSE
3#	9097654000	1	TANK FIXING KIT
5	L08239900	1	CLAMP
9	L08812259	2	CAGE FLOAT COMPLETE
10	L08812373	1	FLOATING BALL
11#	9097726000	1	CAGE FLOAT HOLDER KIT
[12]	9097727000	1	INSTALLATION INSTRUCTIONS FOR CAGE FLOAT HOLDER KIT
14	145 0543 000	2	CLAMP
18	9097016000	1	RECOVERY TANK 35L
19	9097017000	1	TANK COVER 35L
20	33005124	2	SCREW M5X12 UNI7688
21	909 6268 000	1	COVER TANK GASKET
22A	9096918000	1	GASKET SUCTION MOTOR
22B#	9098057000	1	GASKET SUCTION MOTOR
23A	909 6490 000	1	GASKET SUCTION MOTOR
23B#	9098056000	1	GASKET SUCTION MOTOR
24	909 6491 000	1	ACOUSTIC INSULATION PANEL
26	909 6672 000	1	FILTER
27#	9098062000	1	MOTOR VACUUM KIT
30	909 6051 000	1	VACUUM MOTOR COVER
31	909 6442 000	1	ACOUSTIC INSULATION PIPE
35A	909 5371 000	2	CARBON BRUSH
35B	9098231000	1	CARBON BRUSH KIT
37	909 6877 000	1	VACUUM MOTOR HARDWARE KIT
38*#	909 5065 000	1	FILTER ANTIFOAMING
39	9097169000	1	GASKET VACUUM MOTOR
[40]	909 6876 000	1	HARDWARE OLD TYPE CAGE SUP.FIXING KIT

- A FOR OLD MOTOR 909 6802 000
- B FOR NEW MOTOR 9098062000



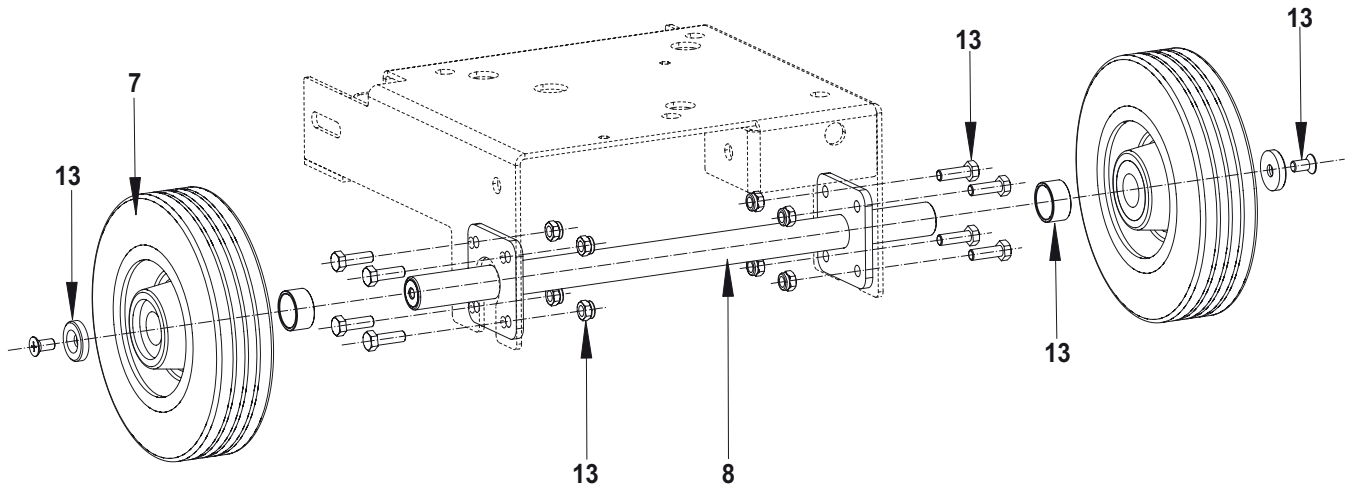
2007-06	CHASSIS SYSTEM			
2009-06	Razor™ 20 - 20T			9

Item No.	Ref. No.	Qty	Description
1	909 6482 000	1	CHASSIS
2	909 6486 000	1	LEVER BRUSH LIFTING
3	145 6132 000	1	INSERT M5
4	909 6539 000	1	ANTISKID MAT
5	909 6540 000	1	BUSHING FLANGED
6	9097024000	1	PEDAL BRUSH LIFTING
9	909 6594 000	3	BUSHING FLANGED
12	145 0524 000	3	PASSRING
15	909 6595 000	1	FLAT TIE HOLDER
18A	909 6621 000	1	KNOB
20	33006051	1	RETAINING RING
21A	33004010	1	SCREW HEX HD M10X30
22	909 6337 000	1	SCREW CYL HD M5X12
23	909 6878 000	1	CHASSIS SYSTEM HARDWARE KIT
24A	909 6897 000	1	WHEEL CASTOR SS KIT
24B	909 6898 000	1	WHEEL CASTOR KIT

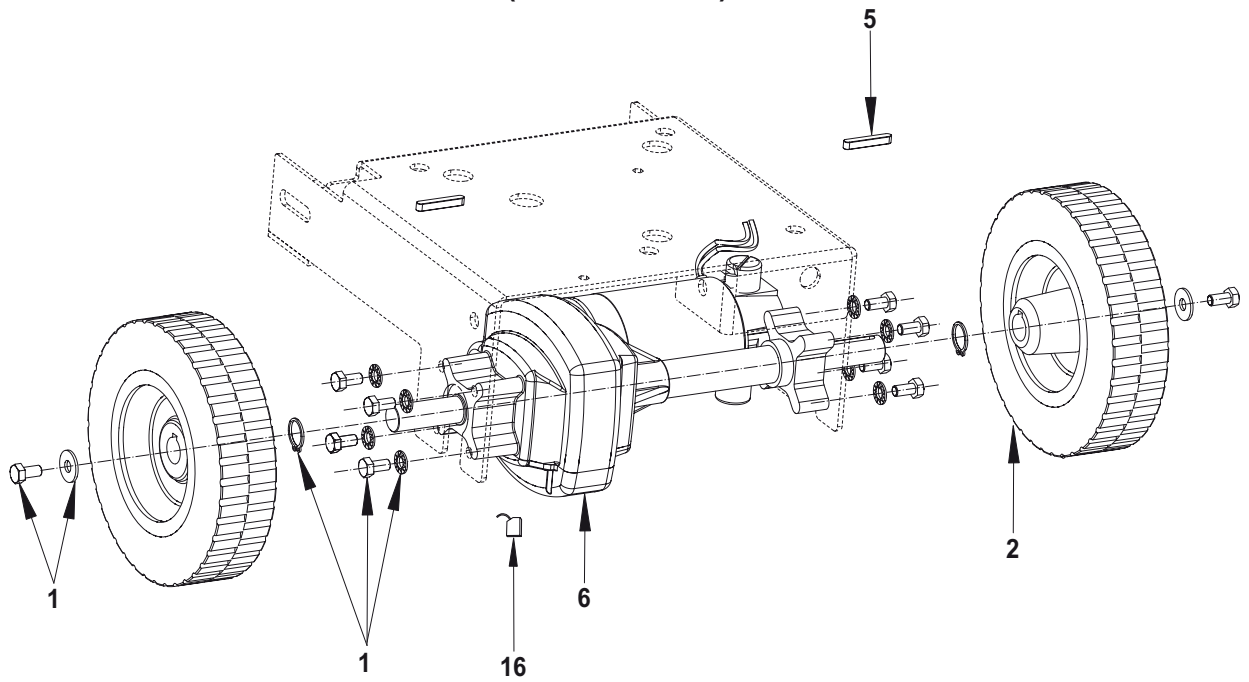
A : ONLY FOR RAZOR™ 20T

B : ONLY FOR RAZOR™ 20

WITHOUT TRACTION
(Razor™ 20)

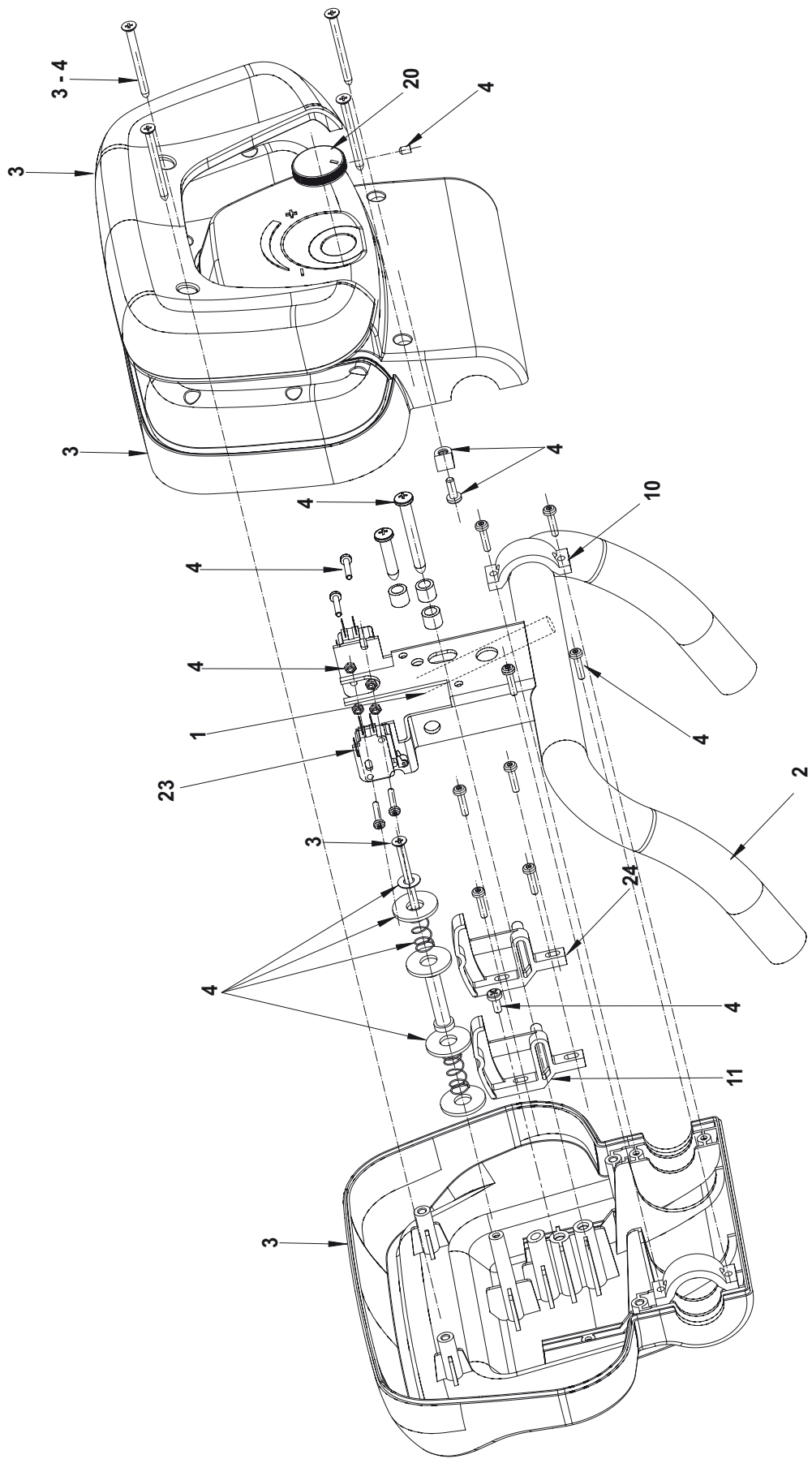


WITH TRACTION
(Razor™ 20T)



2007-06	WHEEL SYSTEMS		
2009-06	Razor™ 20 - 20T		11

Item No.	Ref. No.	Qty	Description
1#	9098298000	1	HARDWARE DRIVE WHEELS KIT
2	909 6862 000	2	WHEEL FRONT DRIVE
2*	9097032000	2	WHEEL FRONT DRIVE D.200 65SH
5	146 0769 000	2	KEY
6	909 6548 000	1	MOTODIFFERENTIAL
7	909 6507 000	2	WHEEL
7*	9097167000	2	WHEEL FRONT D.200 65SH
8	909 6508 000	1	WHEELS SHAFT
13#	9098299000	1	HARDWARE WHEELS KIT
16	145 5124 000	2	CARBON BRUSH



2007-06	HANDLE ASSEMBLY		
2009-06	Razor™ 20T		13

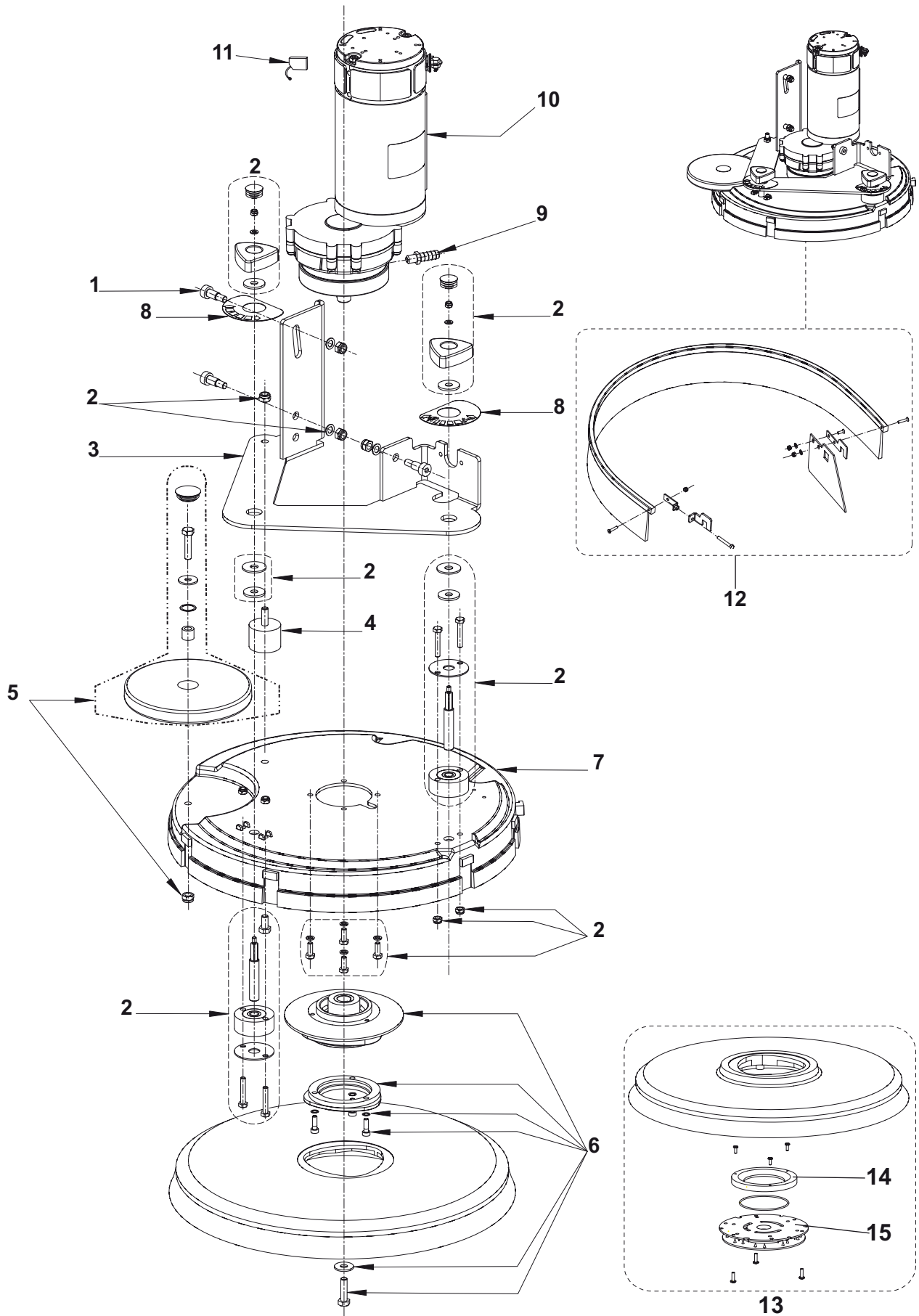
Item No.	Ref. No.	Qty	Description
1	9096907000	1	HANDLE HARNESS
2	909 6653 000	1	HANDLE BAR
3#	9097622000	1	SWITCH HOUSINGS UPPER/LOWER KIT
4#	9098300000	1	HARDWARE HANDLE AS. KIT
10	L08812279	2	CLAMP
11	L08812282	2	MICRO SWITCH CAM
20	909 6471 000	1	POTENTIOMETRE KNOB
23	909 6677 000	1	MICROSWITCH
24	9096923000	1	CAM MICROSWITCH HANDLE
[25]	909 6544 000	1	POTENTIOMETER HARNESS

2007-06	SOLUTION SYSTEM		
2009-06	Razor™ 20 - 20T		15

Item No.	Ref. No.	Qty	Description
1	909 6637 000	1	RUBBER HOLDER
2	9096994000	1	VALVE 3/8 PVC F
3	L08603893	1	KIT NET FILTER WITH GASKET
4#	9098301000	1	HARDWARE SOLUTION SYSTEM KIT
8	9097166000	1	FILTER KIT CPL
10	909 6555 000	1	SOLENOID VALVE 24V
11	909 6636 000	1	HOLDER RUBBER 1/2 FEMALE
12	9097170000	1	VALVE ELBOW W/PIPES KIT
13*	9096916000	1	FILTER
14	909 5286 000	1	GASKET

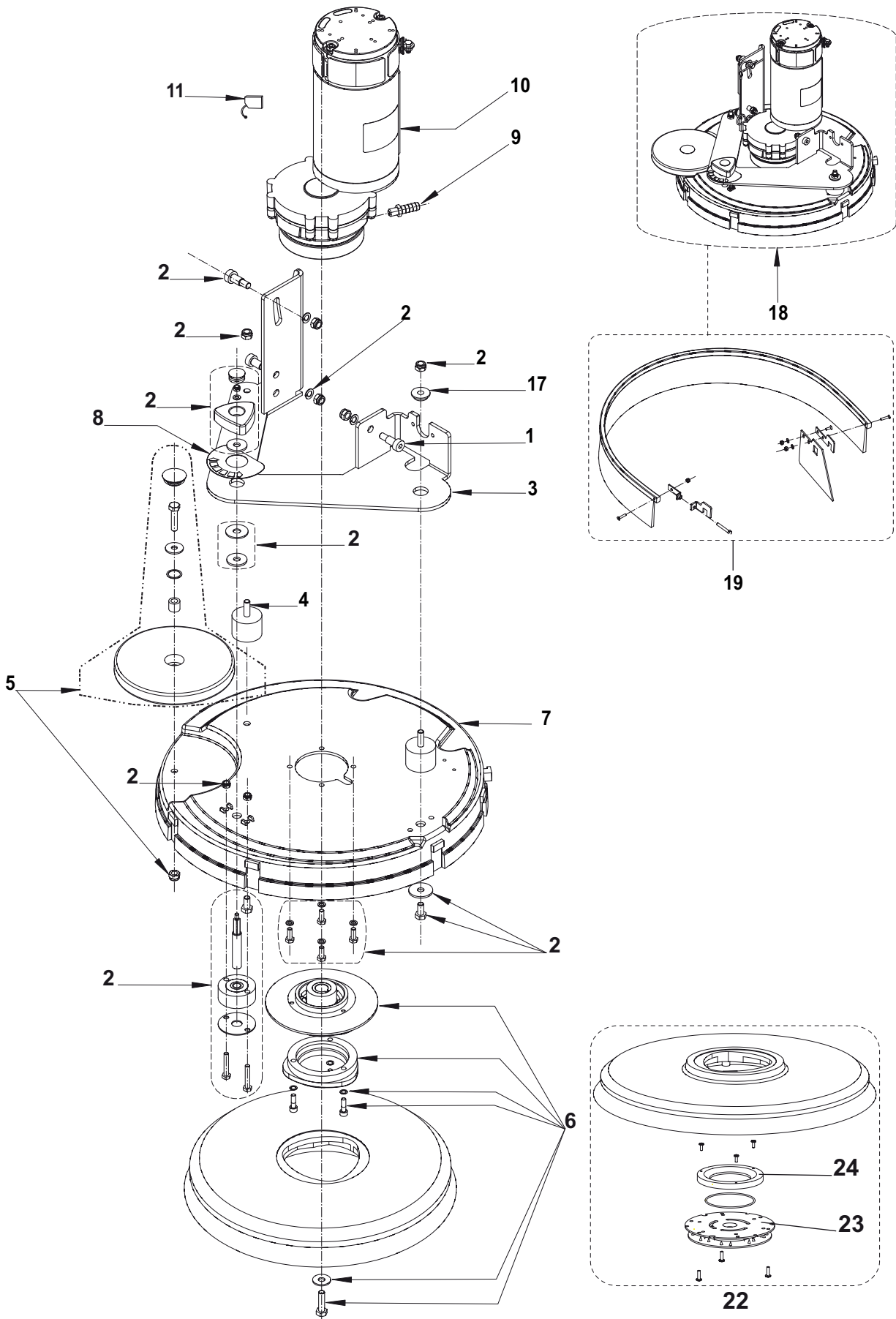
2007-06	SQUEEGEE SYSTEM		
2009-06	Razor™ 20 - 20T		17

Item No.	Ref. No.	Qty	Description
1	909 6494 000	1	SQUEEGEE BRACKET
2	909 6885 000	1	HARDWARE SQUEEGEE FIXING KIT
3	909 6497 000	1	PIN
4	909 6537 000	1	RIGHT SPRING
5	909 6538 000	1	LEFT SPRING
6	909 6543 000	2	PIN
8	33005915	1	WASHER FLAT 8X17
9	L08238300	2	WASHER
10	33005607	3	NUT SELFLOCKING M8
15	33005608	1	NUT
17	33005758	2	SPLIT PIN
18	909 6635 000	2	SELF-ADHESIVE TIE MOUNT
19	909 6052 000	1	SPRING SUPPORT
21	L08604251	1	WASHER FLAT 10X30
23	909 6045 000	1	SQUEEGEE SUPPORT
24	909 6851 000	1	SQUEEGEE CPL ALU KIT 30"
25	909 6483 000	1	BLADE SQUEEGEE FRONT
26	909 6484 000	1	BLADE SQUEEGEE REAR
27	909 6551 000	1	WING NUT M8X30 SS
30#	9097637000	1	SQUEEGEE FIXING KIT
36	909 6044 000	1	SQUEEGEE
38	909 6055 000	1	STRAP, SQUEEGEE FRONT
41	909 6600 000	1	DOWEL M8X30 SS
46	909 6882 000	1	FIXING SQUEEGEE KIT
47	909 6883 000	2	KIT SQUEEGEE WHEEL
48	909 6884 000	2	KIT SQUEEGEE BUMPER ROLLER
49	909 6394 000	1	KIT LATCH FOR SQUEEGEE
[50]	909 6860 000	1	BLADES SQUEEGEE 740MM/29" KIT (25-26)
[51]#	9097548000	1	WASHERS NYLON SQUEEGEE SUPPORT KIT - TSB IT 2007-031



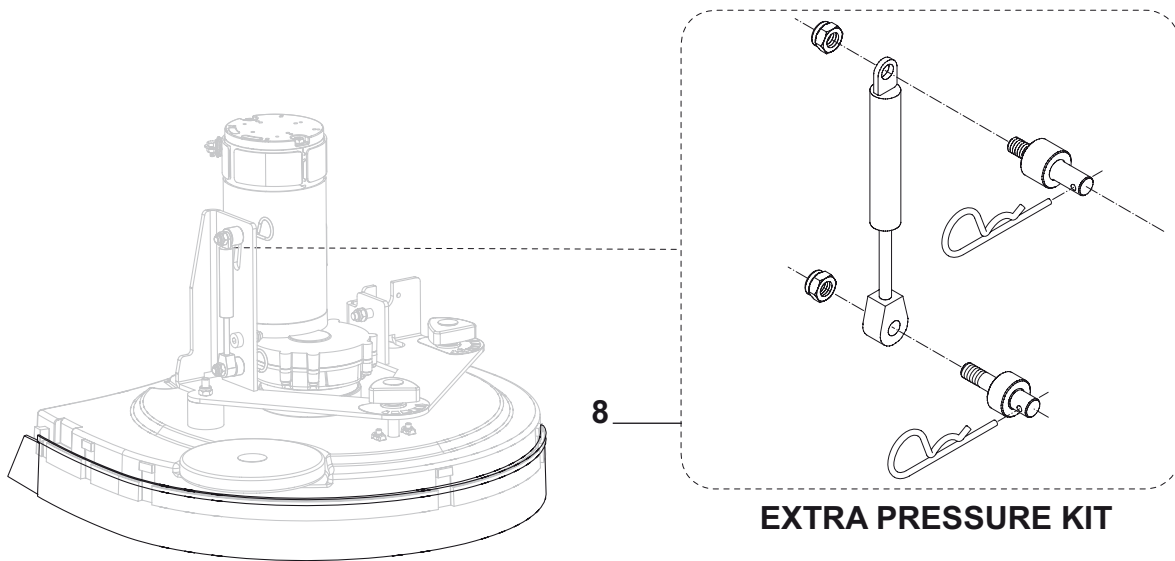
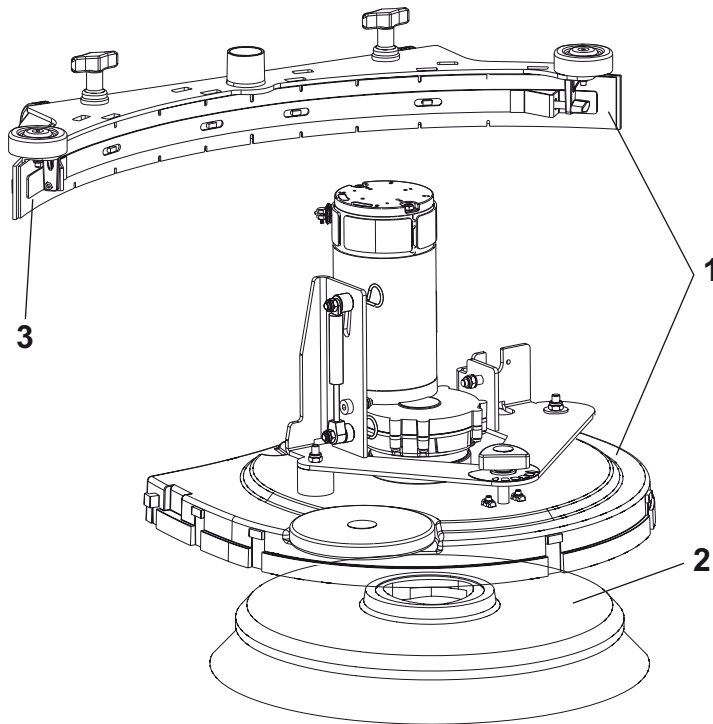
2007-06	BRUSH SYSTEM		
2009-06	Razor™ 20		19

Item No.	Ref. No.	Qty	Description
1	909 6495 000	3	SHOULDER BOLT M10X16
2#	9098344000	1	BRUSH SYSTEM HARDWARE KIT
3	909 6485 000	1	PLATE, DECK BRUSH HOLDER
4	9097184000	1	VIBRATION DAMPING M8
5	909 6887 000	1	BUMPER ROLLER KIT
6	9097093000	1	HOLDERPOLYG.W/FLAGE KIT
7	909 6042 000	1	BRUSH DECK 530MM/20"
8#	9098350000	1	DECALS KIT
9	L08601624	1	PIPE HOLDER
10	909 6546 000	1	REDUCTION GEARMOTOR CPL.
11	909 5380 000	1	CARBON BRUSH (4 PCS)
12	909 6736 000	1	SPLASH GUARD KIT
13	L08837018	1	PAD HOLDER
14	L08603966	1	RING NYLON
15	L08837030	1	RETAINER PAD
[16]	909 6745 000		INSTALLATION INSTRUCTION FOR SPLASH GUARD KIT
[17]#*	9097599000	1	PROTECTION MOTOR KIT TSB IT 2008-014
[18]#	9097600000	1	INSTRUCTIONS INSTALLATION PROT.MOT.KIT



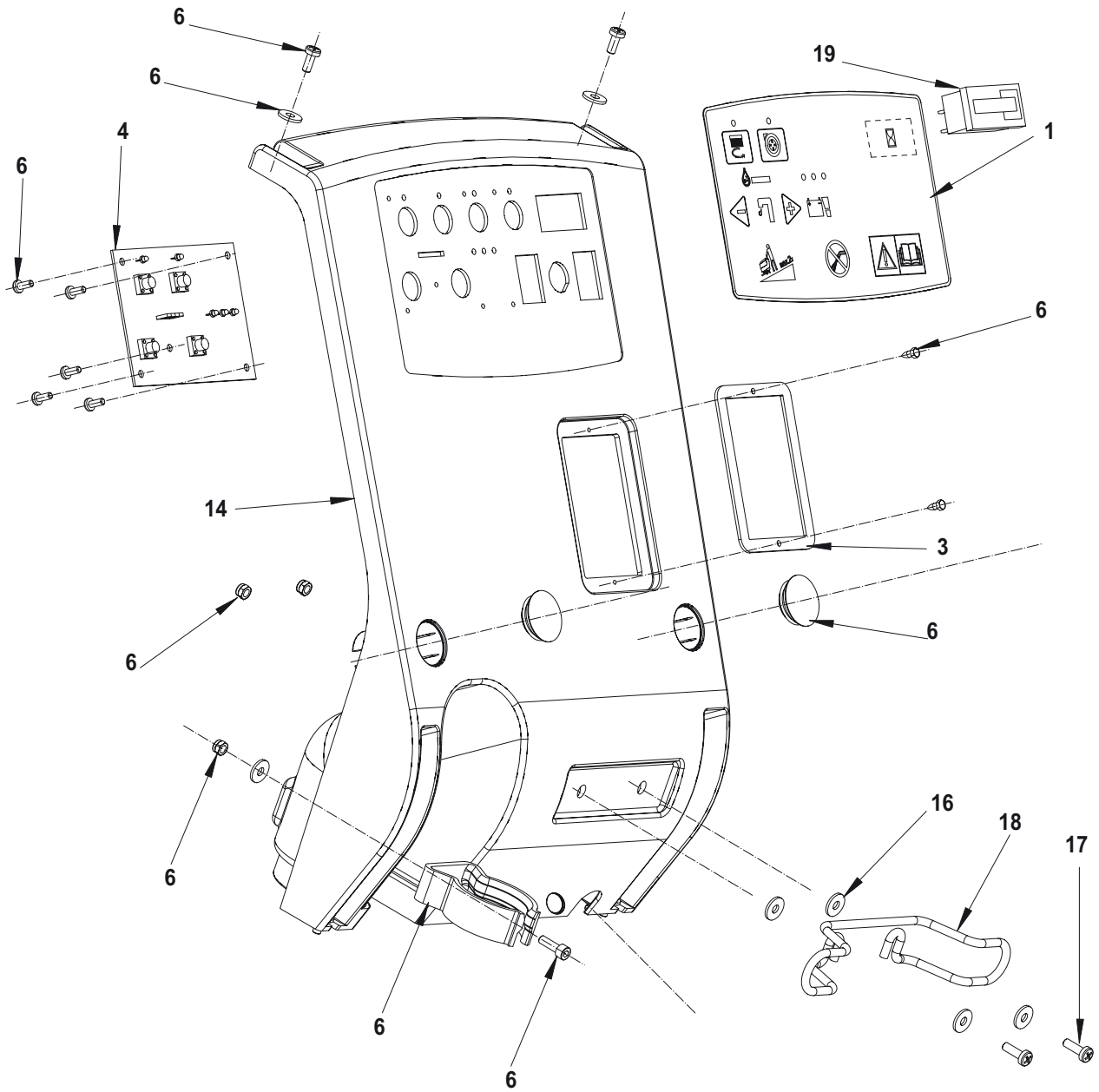
2007-06	BRUSH SYSTEM			
2009-06	Razor™ 20T			21

Item No.	Ref. No.	Qty	Description
1	909 6495 000	2	SHOULDER BOLT M10X16
2#	9098344000	1	BRUSH SYSTEM HARDWARE KIT
3	909 6485 000	1	PLATE, DECK BRUSH OLDER
4	9097184000	1	VIBRATION DAMPING M8
5	909 6887 000	1	BUMPER ROLLER KIT
6	9097093000	1	HOLDERPOLYG.W/FLAGE KIT
7	909 6042 000	1	BRUSH DECK 530MM/20"
8#	9098350000	1	DECALS KIT
9	L08601624	1	PIPE HOLDER
10	909 6546 000	1	REDUCTION GEARMOTOR CPL.
11	909 5380 000	1	CARBON BRUSH (4 PCS)
17	909 6513 000	1	BUSHING
18	909 6853 000	1	BRUSH DECK 530MM/21
19	909 6736 000	1	SPLASH GUARD KIT
[20]	909 6745 000		INSTALLATION INSTRUCTION FOR SPLASH GUARD KIT
[20]#*	9097599000	1	PROTECTION MOTOR KIT TSB IT 2008-014
[21]#	9097600000	1	INSTRUCTIONS INSTALLATION PROT.MOT.KIT
22	L08837018	1	PAD HOLDER
23	L08837030	1	RETAINER PAD
24	L08603966	1	RING NYLON



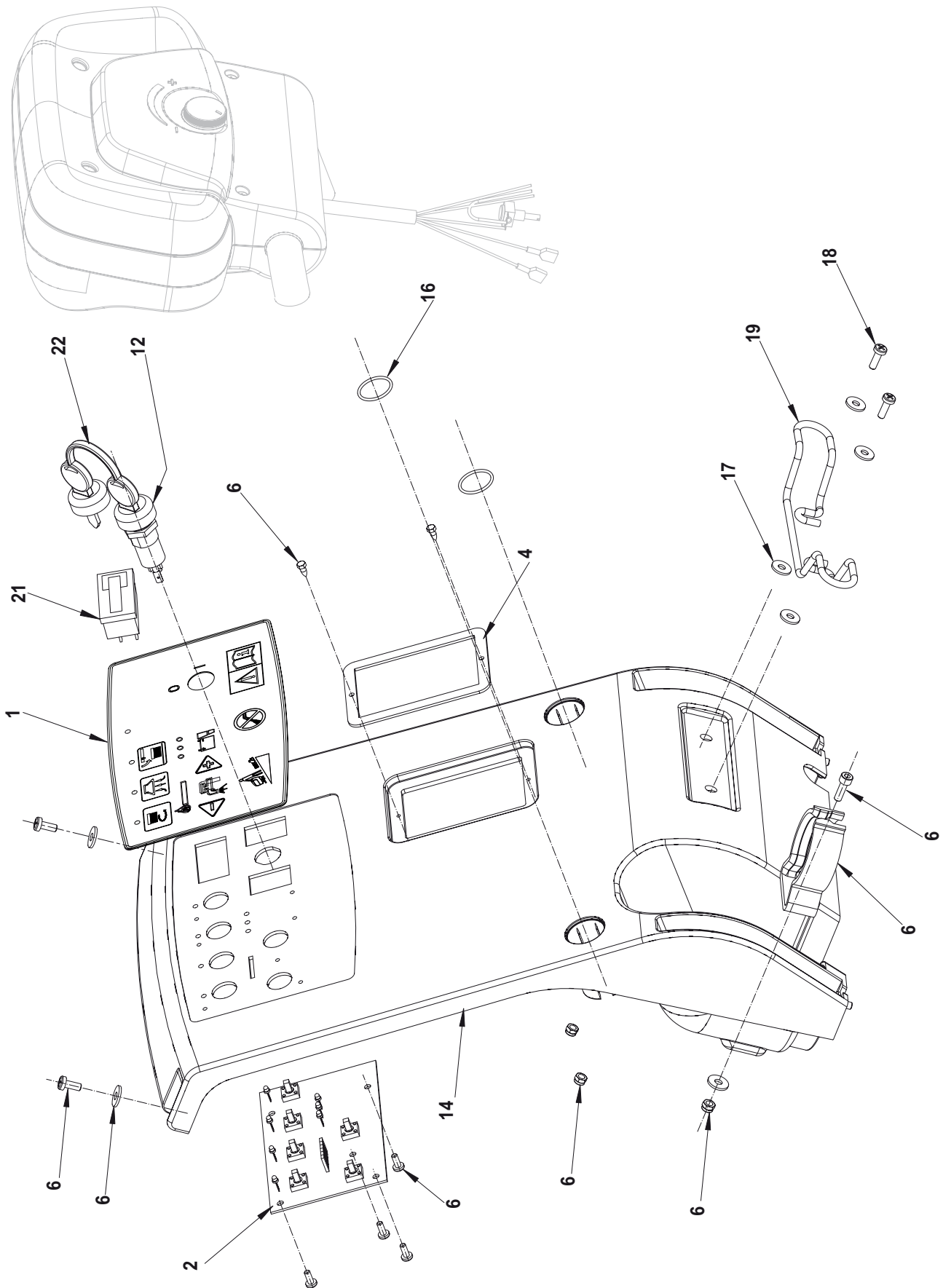
2007-06	ACCESSORIES			
2009-06	Razor™ 20 - 20T			23

Item Bild Rép Pos	Ref. No. Art. Nr. Réf. No Codice	Qty Menge Qté Q.tà	Description
			Razor™ 20T
1*	909 6848 000	1	DISC SCRUB DECK KIT COMPLETE WITH SQUEEGEE
			Razor™ 20 - Razor™ 20T
2*	L08837025	1	BRUSH PROLENE 530MM
2*	L08837026	1	BRUSH PROLITE 530MM
2*	L08837027	1	BRUSH UNION MIX 530MM
2*	L08837028	1	BRUSH MIDLITE GRIT 530MM
2*	L08837029	1	BRUSH MID GRIT 240 530MM
2*	L08837065	1	BRUSH MAGNA GRIT 46 530MM
2*	L08837066	1	BRUSH DYNA GRIT 80 530MM
2*	L08837067	1	BRUSH AGLITE GRIT 500 530MM
			Razor™ 20 - Razor™ 20T
3*	L08603878	1	SQUEEGEE KIT
3	909 6851 000	1	SQUEEGEE KIT ALUMINIUM
			SQUEEGEE BLADES
[4]	909 6483 000	1	BLADE NEOPRENE FRONT
[5]	909 6484 000	1	BLADE NEOPRENE REAR
[6]*	909 6860 000	1	BLADES NEOPRENE KIT 30"
[7]*	909 6858 000	1	BLADES POLYURET. KIT 30"
			Razor™ 20
8*	9097185000	1	EXTRA PRESSURE KIT
[9]	909 6759 000	1	INSTALLATION INSTRUCTIONS FOR EXTRA PRESSURE KIT



2007-06	CONTROL PANEL SYSTEM			
2009-06	Razor™ 20			25

Item No.	Ref. No.	Qty	Description
1	909 6099 000	1	DECAL CONTROL PANEL
3	909 6545 000	1	GASKET
4	9097006000	1	ELECTRONIC CARD
6#	9098302000	1	HARDWARE CONTROL PANEL KIT
14#	9097649000	1	COVER CONTROL PANEL KIT
16	145 1261 000	4	WASHER
17	146 2090 000	2	SCREW CYL HD M5X16
18	909 5149 000	1	SUPPORT BATTERY CHARGER CABLE
19*	9096951000	1	COUNTER HOUR 24V
[20]*	9096952000	1	INSTALLATION INSTRUCTIONS COUNTER HOUR KIT
[21]	145 8368 000	1	FUSE 3A



2007-06	CONTROL PANEL SYSTEM			
2009-06	Razor™ 20T			27

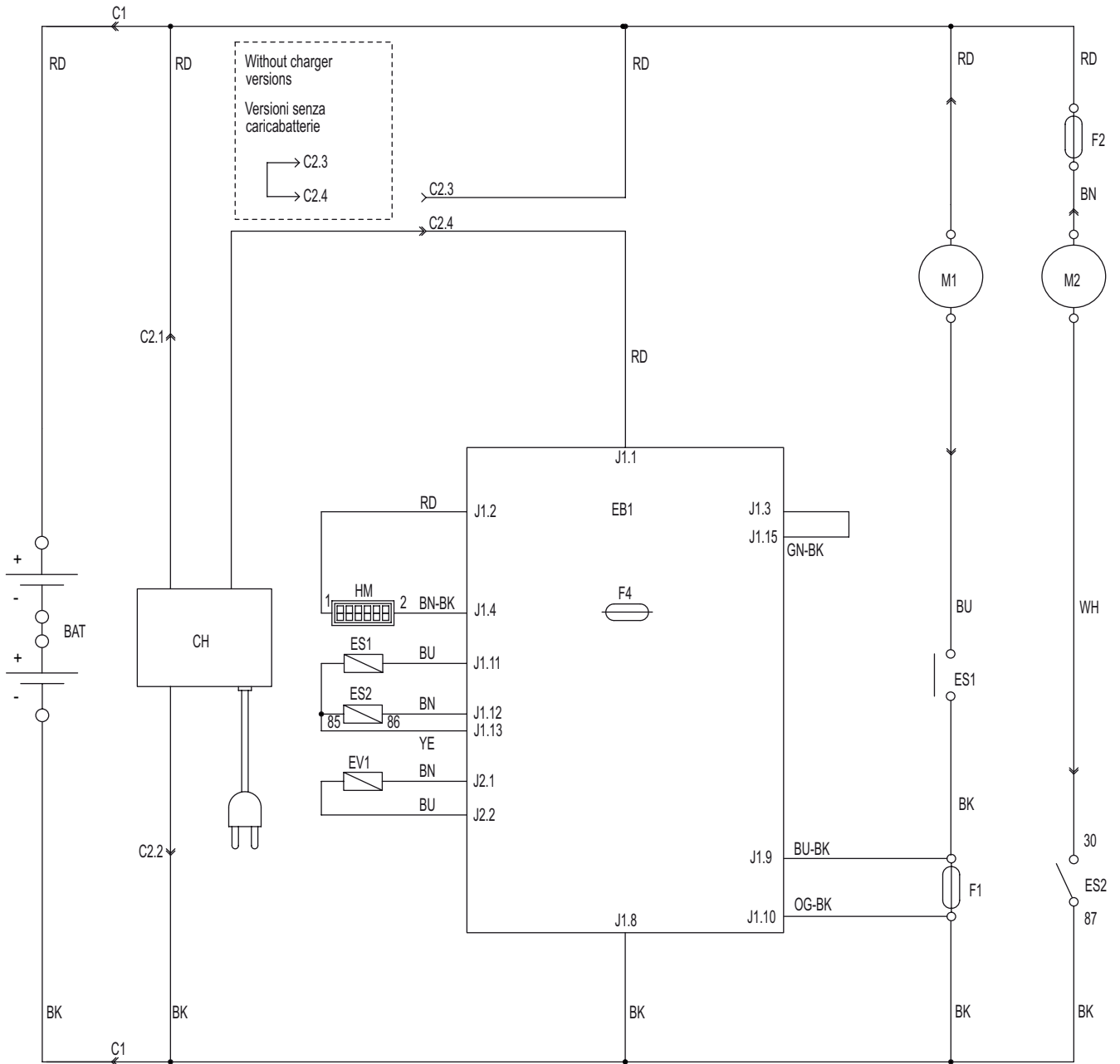
Item No.	Ref. No.	Qty	Description
1	9097029000	1	DECAL CONTROL PANEL
2#	9097007000	1	ELECTRONIC CARD
4	909 6545 000	1	GASKET
6#	9098302000	1	HARDWARE CONTROL PANEL KIT
12	146 2888 000	1	KEY SWITCH
14#	9097649000	1	COVER CONTROL PANEL KIT
16	909 6675 000	2	O-RING 132
17	145 1261 000	4	WASHER
18	146 2090 000	2	SCREW CYL HD M5X16
19	909 5149 000	1	SUPPORT BATTERY CHARGER CABLE
21*	9096951000	1	COUNTER HOUR 24V
22	146 2887 000	1	KEY
[23]*	9096952000	1	INSTALLATION INSTRUCTIONS COUNTER HOUR KIT
[24]	145 8368 000	2	FUSE 3A
[25]	909 6678 000	1	FUSE 20A

2007-06	ELECTRICAL COMPONENTS			
2009-06	Razor™ 20			29

Item No.	Ref. No.	Qty	Description
1	145 8046 000	1	FUSE HOLDER
2	909 6498 000	1	SUPPORT
3	909 6676 000	2	SPACER M4 L=25
4#	9098303000	1	HARDWARE ELECTRIC SYSTEM KIT
5	146 1986 000	1	CONNECTOR 120A
6	909 5313 000	1	INSPECTION PLATE
7	9096914000	1	CABLE EXTENTION
8	145 8513 000	1	FUSE 30A
9	145 3824 000	1	STRIP FUSE 40A
10	145 1449 000	3	CLAMP
11#	9098297000	1	BATTERY CHARGER 24V 13A
12#	9097208000	1	ELECTROMAGNETIC SWITCH 24V
13	33005913	3	WASHER M6 UNI6592
14	145 6132 000	3	INSERT M5
15	909 6622 000	1	RELAY 24V 40A
16	146 1711 000	3	SCREW M5X20 UNI7687
17	146 0660 000	2	BLADE FUSE HOLDER
18	L08338600	1	CABLE HOLDER
19	146 1788 000	1	SCREW M4X12
[20]	L08812093	4	COVER, BATTERY TERMINAL
[21]	9096963000	1	HARNESS ELECTRIC BOX
[22]	9096971000	1	MACHINE HARNESS
[23]	909 6840 000	1	HARNESS VACUUM CLEANER
[24]	9097565000	1	BATTERY HARNESS

2007-06	ELECTRICAL COMPONENTS		
2009-06	Razor™ 20T		31

Item No.	Ref. No.	Qty	Description
1	145 8046 000	1	FUSE HOLDER
2	909 6498 000	1	SUPPORT
3	909 6676 000	2	SPACER M4 L=25
4#	9098303000	1	HARDWARE ELECTRIC SYSTEM KIT
5	146 1986 000	1	CONNECTOR 120A
6	909 5313 000	1	INSPECTION PLATE
7	9096914000	1	CABLE EXTENTION J
8	145 8513 000	2	FUSE 30A
9	145 3824 000	1	STRIP FUSE 40A
10	145 1449 000	3	CLAMP
11#	9098297000	1	BATTERY CHARGER 24V 13A
12#	9097209000	1	ELECTROMAGNETIC SWITCH 24V
13	33005913	3	WASHER M6 UNI6592
14	145 6132 000	3	INSERT M5
15	909 6622 000	1	RELAY 24V 40A
16	146 1711 000	3	SCREW M5X20 UNI7687
17	146 0660 000	2	BLADE FUSE HOLDER
18	9096908000	1	ELECTRONIC CARD, TRACTION
19	146 1788 000	1	SCREW M4X12
20	L08338600	1	CABLE HOLDER
[21]	L08812093	4	COVER BATTERY TERMINAL
[22]	9096964000	1	HARNESS ELECTRIC BOX
[23]	9096972000	1	MACHINE HARNESS
[24]	909 6840 000	1	HARNESS VACUUM MOTOR
[25]	9097565000	1	BATTERY HARNESS

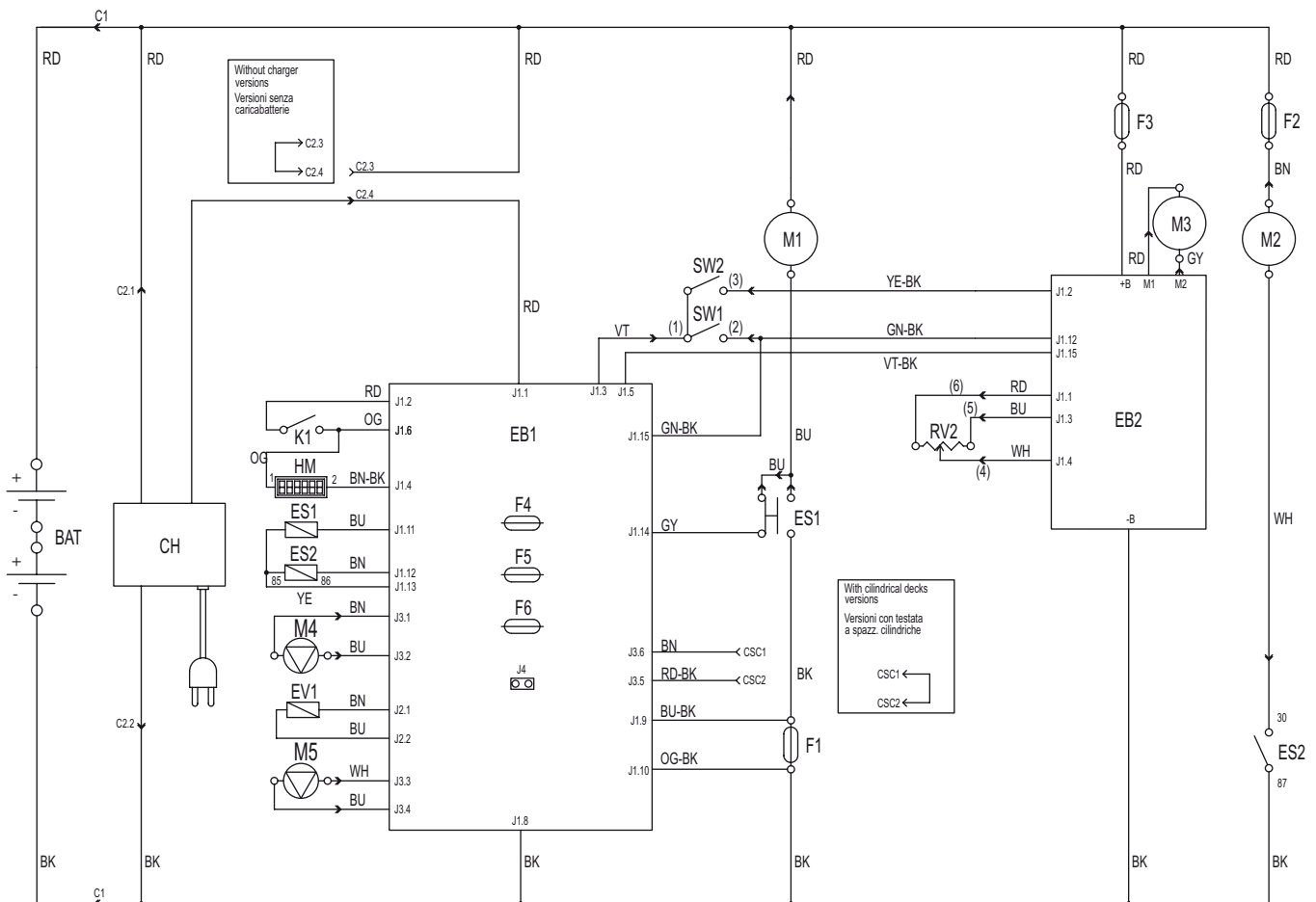


WIRING DIAGRAM

Rev. A

909 6530 000

COMPONENTS / COMPONENTI	
BAT	24V BATTERIES
C1	BATTERY CONNECTOR
C2	CHARGER CONNECTOR
CH	BATTERY CHARGER
CS	BRUSH DECK CONNECTOR
EB1	CONTROL PANEL BOARD
ES1	BRUSH MOTOR ELECTROM. SWITCH
ES2	VACUUM MOTOR ELECTROM. SWITCH
EV1	WATER ELECTROVALVE
F1	BRUSH DECK FUSE
F2	VACUUM MOTOR FUSE
F4	LOW POWER CIRCUIT FUSE
HM	HOURLY METER (OPT)
M1	BRUSH MOTOR
M2	VACUUM MOTOR



WIRING DIAGRAM

9096909000

COMPONENTS / COMPONENTI			
BAT	24V BATTERIES	K1	KEY SWITCH
C1	BATTERY CONNECTOR	M1	BRUSH MOTOR
C2	CHARGER CONNECTOR	M2	VACUUM MOTOR
CH	BATTERY CHARGER	M3	DRIVE MOTOR
CSC	CILINDRICAL DECK SECONDARY CONNECTOR	M4	WATER PUMP (OPT)
EB1	CONTROL PANEL BOARD	M5	DETERGENT PUMP (OPT)
EB2	DRIVE ELECTRONIC BOARD	RV2	MAX SPEED POTENTIOMETER
ES1	BRUSH MOTOR ELECTROM. SWITCH	SW1	BRUSHES / DRIVE MICROSWITCH
ES2	VACUUM MOTOR ELECTROM. SWITCH	SW2	REV. GEAR MICROSWITCH
EV1	ELECTROVALVE		
F1	BRUSH DECK FUSE		
F2	VACUUM MOTOR FUSE		
F3	DRIVE SYSTEM FUSE		
F4	LOW POWER CIRCUIT FUSE		
F5	BRUSH RELEASE FUSE		
F6	PUMP FUSE		
HM	HOURMETER (OPT)		

RECOMMENDED SPARE PARTS

2007-06

34

Razor™ 20 - 20T

2009-06

Ref. No.	DESCRIPTION	QTY	MACHINES
SOLUTION TANK			
9097192000	WATER FILTER INLET	1	Razor™ 20 - Razor™ 20T
9098265000	SOLUTION TANK HARDWARE KIT	1	Razor™ 20 - Razor™ 20T
RECOVERY TANK			
909 6230 000	HOSE VACUUM	1	Razor™ 20 - Razor™ 20T
909 6528 000	HOSE DRAIN	1	Razor™ 20 - Razor™ 20T
L08812259	CAGE, FLOAT	1	Razor™ 20 - Razor™ 20T
L08812373	BALL FLOAT	1	Razor™ 20 - Razor™ 20T
9097726000#	CAGE FLOAT HOLDER KIT	1	Razor™ 20 - Razor™ 20T
145 0543 000	HOSE CLAMP	2	Razor™ 20 - Razor™ 20T
909 6877 000	HARDWARE MOTOR FIXING KIT	1	Razor™ 20 - Razor™ 20T
9098062000#	MOTOR VACUUM W/CONNECTOR KIT	1	Razor™ 20 - Razor™ 20T
909 6491 000	VACUUM MOTOR PANEL ACOUSTIC INSULATION	1	Razor™ 20 - Razor™ 20T
9098057000	GASKET VACUUM MOTOR	1	Razor™ 20 - Razor™ 20T
9098056000	GASKET VACUUM MOTOR	1	Razor™ 20 - Razor™ 20T
9097169000	GASKET VACUUM MOTOR	1	Razor™ 20 - Razor™ 20T
909 6672 000	FILTER	1	Razor™ 20 - Razor™ 20T
9098231000	CARBON BRUSH FOR VACUUM MOTOR	2	Razor™ 20 - Razor™ 20T
CHASSIS SYSTEM			
909 6898 000	WHEEL CASTOR KIT	1	Razor™ 20
909 6897 000	WHEEL CASTOR SS KIT	1	Razor™ 20 - Razor™ 20T
909 6878 000	CHASSIS SYSTEM HARDWARE KIT	1	Razor™ 20 - Razor™ 20T
WHEEL SYSTEMS			
909 6548 000	MOTOR DRIVE 24V 200W	1	Razor™ 20T
145 5124 000	CARBON BRUSH FOR DRIVE MOTOR	2	Razor™ 20T
909 6862 000	WHEEL FRONT DRIVE D.200	2	Razor™ 20T
909 6507 000	WHEEL FRONT D.200	2	Razor™ 20
HANDLE ASSEMBLY			
L08812282	CAM HANDLE MICROSWITCH	1	Razor™ 20T
9096923000	CAM HANDLE MICROSWITCH	1	Razor™ 20T
9098300000#	HARDWARE HANDLE FIXING KIT	1	Razor™ 20T
SOLUTION SYSTEM			
9096994000	VALVE ELBOW	1	Razor™ 20 - Razor™ 20T
9097166000	FILTER KIT CPL	1	Razor™ 20 - Razor™ 20T
9097170000	PIPES SOLENOID VALVE KIT	1	Razor™ 20 - Razor™ 20T
909 6555 000	SOLENOID VALVE 24V	1	Razor™ 20 - Razor™ 20T
SQUEEGEE SYSTEM			
909 6055 000	FRONT STRAP	2	Razor™ 20 - Razor™ 20T
909 6044 000	WELDMENT SQUEEGEE TOOL	1	Razor™ 20 - Razor™ 20T
9097637000#	SQUEEGEE FIXING KIT	2	Razor™ 20 - Razor™ 20T
909 6551 000	KNOB 8X30 SS	1	Razor™ 20 - Razor™ 20T
909 6484 000	REAR BLADE SQUEEGEE	1	Razor™ 20 - Razor™ 20T
909 6483 000	FRONT BLADE SQUEEGEE	1	Razor™ 20 - Razor™ 20T
909 6882 000	HARDWARE SQUEEGEE BLADE FIXING KIT	1	Razor™ 20 - Razor™ 20T
909 6883 000	WHEEL SQUEEGEE KIT	1	Razor™ 20 - Razor™ 20T
909 6884 000	ROLLER BUMPER SQUEEGEE KIT	1	Razor™ 20 - Razor™ 20T
909 6885 000	SQUEEGEE SUPPORT HARDWARE KIT	1	Razor™ 20 - Razor™ 20T
909 6394 000	LATCH SQUEEGEE KIT	1	Razor™ 20 - Razor™ 20T
BRUSH SYSTEMS			
909 6042 000	BRUSH DECK	1	Razor™ 20 - Razor™ 20T
909 6853 000	BRUSH DECK KIT	1	Razor™ 20T
909 6546 000	REDUCTIONGEARMOTOR 480W	1	Razor™ 20 - Razor™ 20T
909 5380 000	CARBON BRUSH KIT	1	Razor™ 20 - Razor™ 20T
909 6887 000	ROLLER BUMPER KIT	1	Razor™ 20 - Razor™ 20T
L08601624	FITTING 1/4	1	Razor™ 20 - Razor™ 20T

2007-06	RECOMMENDED SPARE PARTS			
2009-06	Razor™ 20 - 20T			35

Ref. No.	DESCRIPTION	QTY	MACHINES
9098344000	BRUSH SYSTEM HARDWARE KIT	1	Razor™ 20 - Razor™ 20T
9097184000	VIBRATION DAMPING	1	Razor™ 20 - Razor™ 20T
L08837018	PAD HOLDER	1	Razor™ 20 - Razor™ 20T
9097093000	HOLDER POLYGONAL W/FLANGE	1	Razor™ 20 - Razor™ 20T
CONTROL PANEL SYSTEMS			
909 6099 000	DECAL CONTROL PANEL	1	Razor™ 20
9097029000	DECAL CONTROL PANEL	1	Razor™ 20T
9097008000#	ELECTRONIC CARD	1	Razor™ 20
9097009000#	ELECTRONIC CARD	1	Razor™ 20T
146 2888 000	ON/OFF KEY SWITCH	1	Razor™ 20T
146 2887 000	KEY	1	Razor™ 20T
ELECTRICAL SYSTEMS			
9096908000	CARD ELECTRONIC TRACTION	1	Razor™ 20T
146 1986 000	CONNECTOR BATTERY	1	Razor™ 20 - Razor™ 20T
146 0719 000	SWITCH ELECTROMAGNETIC 24V	1	Razor™ 20
909 5127 000	SWITCH ELECTROMAGNETIC 24V	1	Razor™ 20T
909 6622 000	RELAY 24V 40A	1	Razor™ 20 - Razor™ 20T
145 3824 000	FUSE STRIP 40A	1	Razor™ 20 - Razor™ 20T
145 8513 000	FUSE BLADE 30A UL	1	Razor™ 20 - Razor™ 20T
145 8368 000	FUSE 3A	1	Razor™ 20 - Razor™ 20T
9098297000#	BATTERY CHARGER 24V 13A 100-240V 50/60HZ	1	Razor™ 20 - Razor™ 20T
ACCESSORIES			
9096916000	FILTER SOLUTION TANK	1	Razor™ 20 - Razor™ 20T
909 6848 000	BRUSH DECK W/SQUEEGEE KIT	1	Razor™ 20T
L08837025#	BRUSH PROLENE 530MM	1	Razor™ 20 - Razor™ 20T
L08837026#	BRUSH PROLITE 530MM	1	Razor™ 20 - Razor™ 20T
L08837027#	BRUSH UNION MIX 530MM	1	Razor™ 20 - Razor™ 20T
L08837028#	BRUSH MIDLITE GRIT 530MM	1	Razor™ 20 - Razor™ 20T
L08837029#	BRUSH MID GRIT 240 530MM	1	Razor™ 20 - Razor™ 20T
L08837065#	BRUSH MAGNA GRIT 46 530MM	1	Razor™ 20 - Razor™ 20T
L08837066#	BRUSH DYNA GRIT 80 530MM	1	Razor™ 20 - Razor™ 20T
L08837067#	BRUSH AGLITE GRIT 500 530MM	1	Razor™ 20 - Razor™ 20T
L08603878#	SQUEEGEE KIT	1	Razor™ 20 - Razor™ 20T
909 6860 000	BLADES NEOPRENE KIT 30"	1	Razor™ 20 - Razor™ 20T
909 6858 000	BLADES POLYURET. KIT 30"	1	Razor™ 20 - Razor™ 20T
9097185000	EXTRA PRESSURE KIT	1	Razor™ 20 - Razor™ 20T
9096951000	COUNTER HOUR	1	Razor™ 20 - Razor™ 20T
9097167000	WHEEL FRONT D.200 65SH	2	Razor™ 20
9097032000	WHEEL FRONT D.200 DRIVE 65SH	2	Razor™ 20T

KENT

Simple. Clean.

14600 21st Avenue North
Plymouth, MN, 55447-3408
www.kenteuroclean.com
Phone: 800-334-1083
Fax: 866-261-4779
©2008 Printed in Italy