



Electronic Service Manuals

This electronic document is provided as a service to our customers. We do not create the contents of the information contained in this document. Should you have detailed questions pertaining to the information contained in this document, you may contact Michco, or the manufacturer which provided the original information in this electronic deliverable. Michco's only part in this electronic deliverable was the electronic assembly process. By providing this manual on line we are not guaranteeing parts availability.

You may contact Michco through the following methods:

Phone (517) 484-9312 or (800) 331-3339

2011 N. High St. -- Lansing, Michigan -- 48906

Fax: (517) 484-9836

Email: CustServe@Michco.com

Web site: www.Michco.Com

Parts Web site: www.FloorMachineParts.Com

Order Parts on Line at:

www.FloorMachineParts.Com

Directly to Parts & Service:

By Email: **Shop@Michco.com**

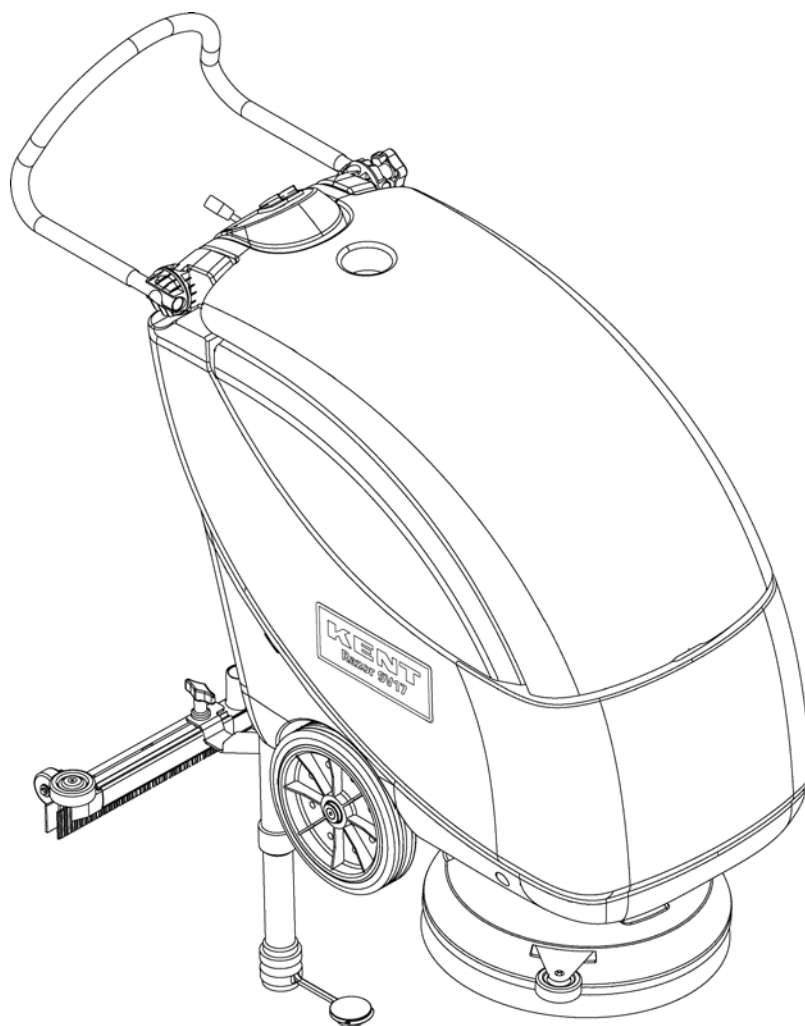
By Fax: (517) 702-2041

By Voice: Use numbers above.

Serving the Cleaning Industry Since 1922

Notice: All copyrighted material remains property of original owners, all trademarks are property of respective owners. Manuals are subject to Manufacturer's reproduction limitations. Originals or reproductions were provided by manufacturers through a request. We make no warranty as to the correctness of information provided in this document and you assume all risk. By placing these manuals on line we are not declaring our corporation to be an manufacturer authorized dealer or provider, please check our web site for authorized manufacturers we represent.

Razor SV 17



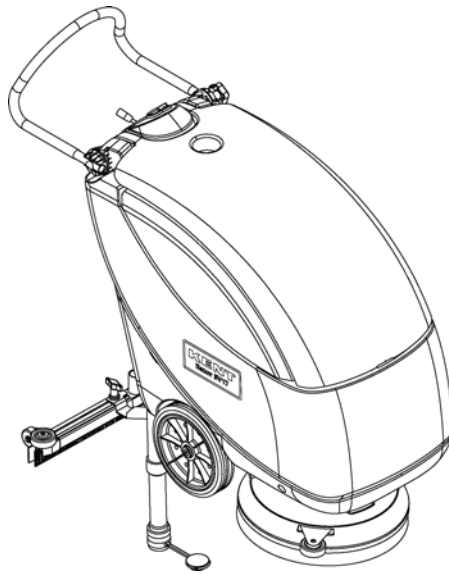
PARTS LIST
KENT MODEL: 908 7112 020

KENT

Simple. Clean.

909 6310 000(3)2007-09

2005-12	TABLE OF CONTENTS			
2007-05	Razor SV 17			1



DESCRIPTION	PLAN
SOLUTION TANK	2-3
VACUUM SYSTEM	4-5
RECOVERY TANK	6-7
HANDLE ASSEMBLY	8-9
CONTROL PANEL ASSEMBLY	10-11
SOLUTION SYSTEM	12-13
SQUEEGEE ASSEMBLY	14-15
BRUSH SYSTEM	16-19
WIRING SYSTEM	20-21
ACCESSORIES	22-25
RECOMMENDED SPARE PARTS	26
WIRING DIAGRAM	27

WHEN ORDERING PARTS

- * Use the 8, 9 or 10 digit numbers from the "Ref. No." columns in this parts list.
- * Specify the model and serial number of the machine.
- * Use the space below to record the model and serial number for future reference.

Model _____ Serial No. _____

- * = Optional**
- # = Modified item No. or New item No.**
- [] = Not shown**
- xxxxxx= Contained in a Kit**

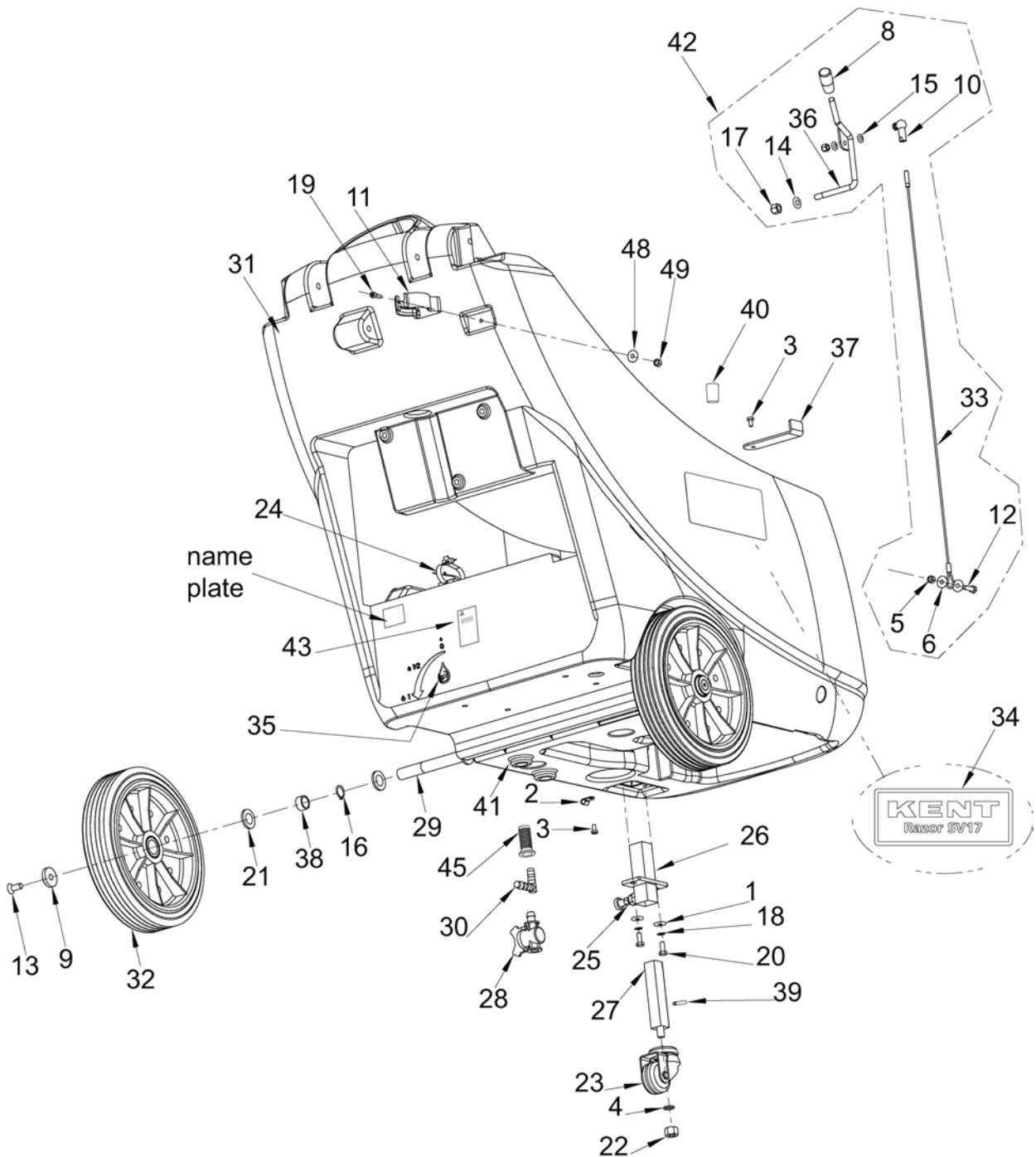
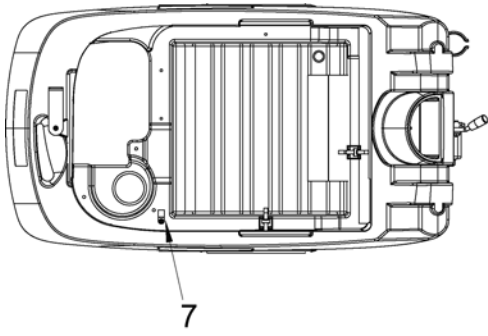
SOLUTION TANK

2005-12

2

Razor SV 17

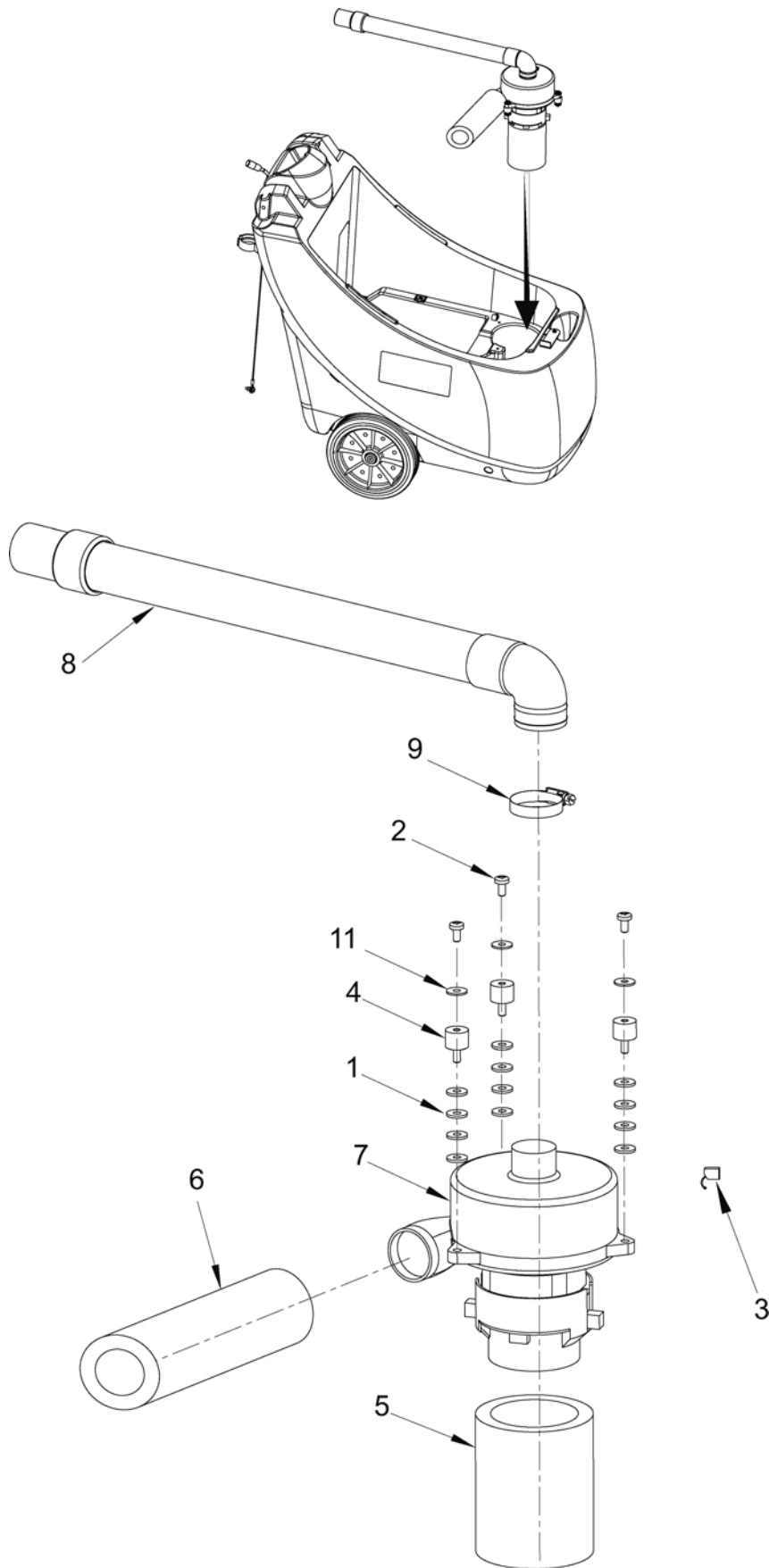
2007-05



2005-12	SOLUTION TANK			
2007-09	Razor SV 17			3

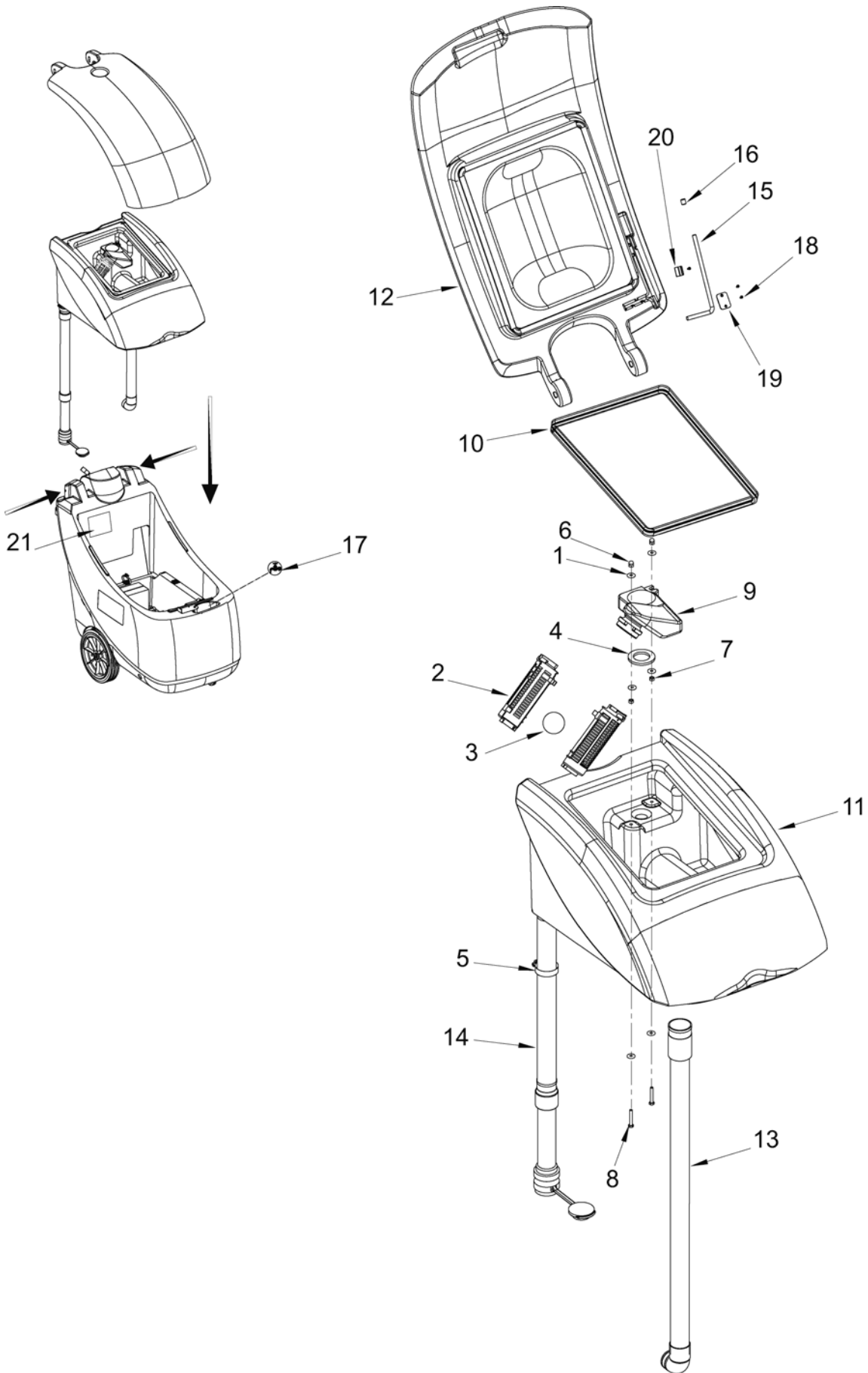
ITEM NO.	REF. NO.	QTY	DESCRIPTION
1	xxxxxxxxxx	2	WASHER FLAT 6X18 (SOLUTION TANK HARDWARE KIT)
2	xxxxxxxxxx	1	CLAMP (SOLUTION TANK HARDWARE KIT)
3	xxxxxxxxxx	6	SCREW M5X10 (SOLUTION TANK HARDWARE KIT)
4	xxxxxxxxxx	1	WASHER FLAT 10 (SOLUTION TANK HARDWARE KIT)
5	xxxxxxxxxx	1	NUT HEX. LOW SELF LOCK M6 SS (KIT SQUEEGEE LIFT CABLE)
6	xxxxxxxxxx	2	WASHER FLAT 6X18 SS (KIT SQUEEGEE LIFT CABLE)
7#	L08603845	2	CABLE CLAMP
8	xxxxxxxxxx	1	KNOB (KIT SQUEEGEE LIFT CABLE)
9#	L08812392	2	SPACER
10	xxxxxxxxxx	1	BALL JOINT (KIT SQUEEGEE LIFT CABLE)
11	xxxxxxxxxx	1	HOSE CLAMP (SOLUTION TANK HARDWARE KIT)
12	xxxxxxxxxx	1	SCREW HEX HD M6X20 SS (KIT SQUEEGEE LIFT CABLE)
13	xxxxxxxxxx	2	SCREW M8X20 (SOLUTION TANK HARDWARE KIT)
14	xxxxxxxxxx	1	WASHER FLAT 8 (KIT SQUEEGEE LIFT CABLE - SOLUTION TANK HARDWARE KIT)
15	xxxxxxxxxx	2	WASHER FLAT 6 (KIT SQUEEGEE LIFT CABLE - SOLUTION TANK HARDWARE KIT)
16	xxxxxxxxxx	2	RETAINING RING (SOLUTION TANK HARDWARE KIT)
17	xxxxxxxxxx	1	NUT HEX. SELF LOCK M8 (KIT SQUEEGEE LIFT CABLE - SOLUTION TANK HARDWARE KIT)
18	xxxxxxxxxx	2	WASHER SPLIT (SOLUTION TANK HARDWARE KIT)
19	xxxxxxxxxx	1	SCREW M5X12 (SOLUTION TANK HARDWARE KIT)
20	xxxxxxxxxx	2	SCREW HEX HD M6X16 (SOLUTION TANK HARDWARE KIT)
21	xxxxxxxxxx	6	WASHER FLAT 16X30 (SOLUTION TANK HARDWARE KIT)
22	xxxxxxxxxx	1	NUT HEX. SELF LOCK M10 (SOLUTION TANK HARDWARE KIT)
23	909 5560 000	1	WHEEL
24	145 0524 000	8	CLAMP
25	909 5641 000	1	INDEXING PLUNGER
26	909 5649 000	1	SUPPORT
27	909 5658 000	1	SUPPORTING ROD
28	909 5696 000	1	VALVE
29	909 5748 000	1	WHEELS SHAFT
30	909 5895 000	1	ELBOW 90° Ø10
31	909 6294 000	1	SOLUTION TANK
32A	9096915000	2	WHEEL
33	xxxxxxxxxx	1	SQUEEGEE LIFTING CABLE (KIT SQUEEGEE LIFT CABLE)
34	xxxxxxxxxx	2	DECAL KENT RAZOR SV17 (KIT DECALS)
35	xxxxxxxxxx	1	DECAL ECO SOLUTION (KIT DECALS)
36	xxxxxxxxxx	1	SQUEEGEE LIFTING LEVER (KIT SQUEEGEE LIFT CABLE)
37	909 6304 000	1	BRACKET BRUSH SUPPORT
38	xxxxxxxxxx	2	SPACER (SOLUTION TANK HARDWARE KIT)
39	909 6441 000	1	PIN 3X20
40	909 6236 000	1	BLACK CAP
41	909 5286 000	2	GASKET
42	909 6437 000	1	KIT SQUEEGEE LIFT CABLE (5,6,8,10,12,14,15,17,33,36)
43	xxxxxxxxxx	1	DECAL WARNING (KIT DECALS)
[44]	909 6438 000	1	SOLUTION TANK HARDWARE KIT (1,2,3,4,11,13,14,15,16,17,18,19,20,21,22,38,48,49)
[45]*A	9096916000	1	FILTER
[46]	909 6226 000	1	RUBBER SHOCK ABSORBER KIT
[47]	909 6227 000	1	INSTALLATION INSTRUCTION FOR RUBBER SHOCK ABSORBER KIT
48	xxxxxxxxxx	1	WASHER M52 UNI6592 (SOLUTION TANK HARDWARE KIT)
49	xxxxxxxxxx	1	NUT SELF L. M5 UNI7474 (SOLUTION TANK HARDWARE KIT)

A: TSB IT 2007-015



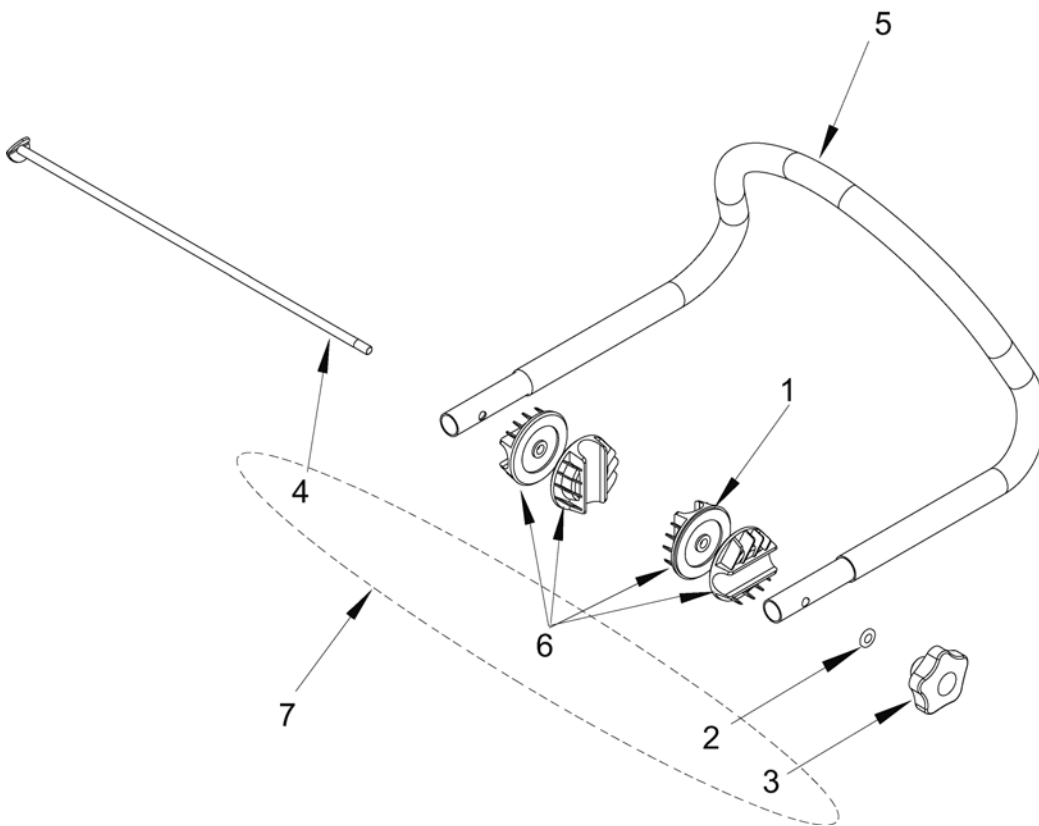
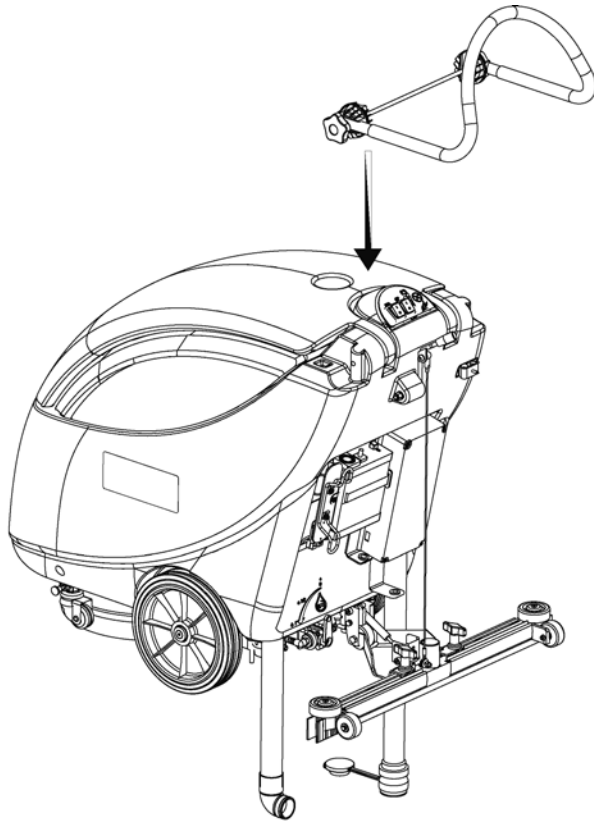
2005-12	VACUUM SYSTEM			
2007-05	Razor SV 17			5

ITEM NO.	REF. NO.	QTY	DESCRIPTION
1	xxxxxxxxxx	15	WASHER FLAT 6X18 (VACUUM SYSTEMS HARDWARE KIT)
2	xxxxxxxxxx	3	SCREW CYL HD M6X12 (VACUUM SYSTEMS HARDWARE KIT)
3	909 5371 000	2	CARBON BRUSH
4	909 5198 000	3	VIBRATION DAMPING M6
5	909 5564 000	1	PIPE ACOUSTIC INSULATION
6	909 5565 000	1	PIPE ACOUSTIC INSULATION
7	909 5713 000	1	KIT VACUUM MOTOR WITH CONNECTOR
8	909 5579 000	1	VACUUM MOTOR HOSE
9	145 0513 000	1	HOSE CLAMP
[10]	909 5987 000	1	VACUUM SYSTEMS HARDWARE KIT (1,2,11)
11	xxxxxxxxxx	3	WASHER M6 UNI1751B (VACUUM SYSTEMS HARDWARE KIT)



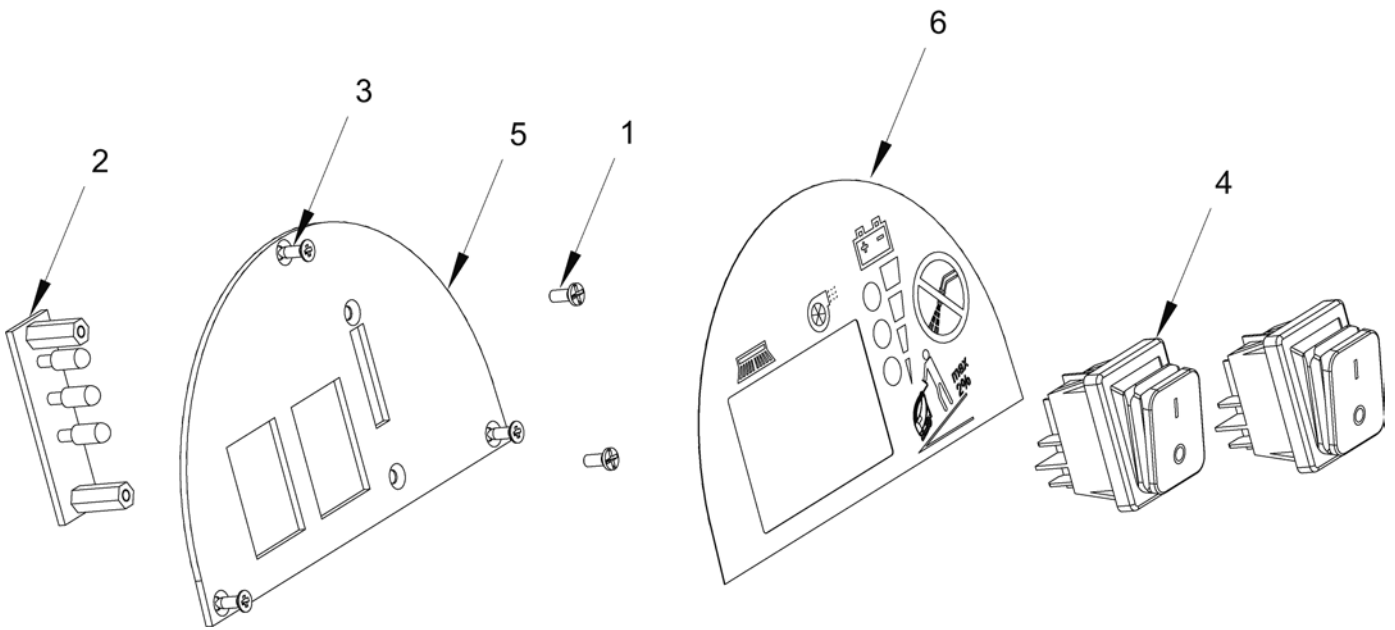
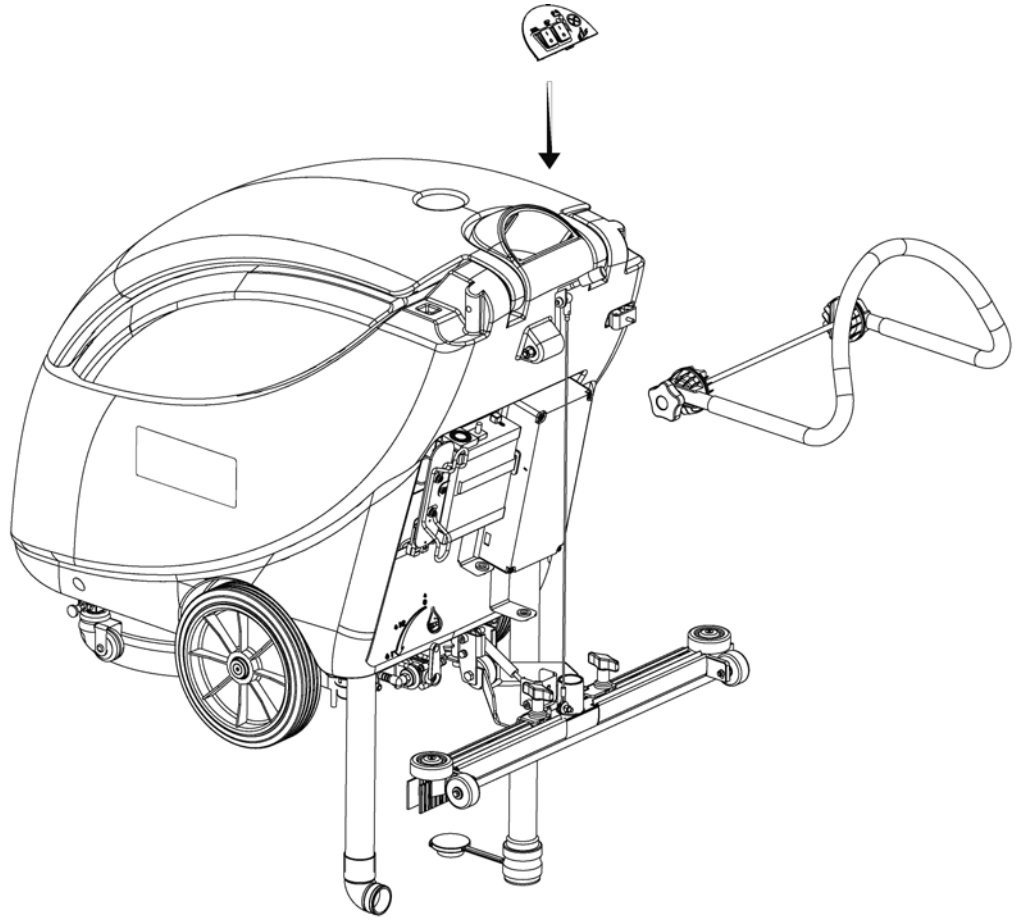
2005-12	RECOVERY TANK			
2007-09	Razor SV 17			7

ITEM NO.	REF. NO.	QTY	DESCRIPTION
1	xxxxxxxxxx	6	WASHER FLAT 6X18 SS (RECOVERY TANK HARDWARE KIT)
2	56324497	2	FLOAT CAGE
3	56391690	1	FLOATING BALL
4#	L08812968	1	GASKET
5	xxxxxxxxxx	1	HOSE CLAMP 14/32-52 (RECOVERY TANK HARDWARE KIT)
6	xxxxxxxxxx	2	NUT CAP M6 SS (RECOVERY TANK HARDWARE KIT)
7	xxxxxxxxxx	2	NUT HEX M6 SS (RECOVERY TANK HARDWARE KIT)
8	xxxxxxxxxx	2	SCREW HEX HD M6X40 SS (RECOVERY TANK HARDWARE KIT)
9	909 6199 000	1	HOLDER, FLOAT CAGE
10	909 6268 000	1	GASKET 1370 MM
11	909 6272 000	1	RECOVERY TANK
12	909 6273 000	1	TANK COVER
13	909 6301 000	1	SUCTION HOSE
14#	L08812869	1	DRAIN HOSE
15	909 6762 000	1	LEVER FOR FIXING COVER
16#	L08603935	1	BLACK CAP
17	xxxxxxxxxx	1	DECAL WATER FAUCET (KIT DECALS)
18	145 1756 000	3	SCREW 2,9X9,5 UNI6955
19	909 6473 000	1	LEVER FIXING PLATE
20	909 6575 000	1	LEVER FIXING CLAMP
21	xxxxxxxxxx	1	DECAL BATTERIES (KIT DECALS)
[22]	909 5988 000	1	RECOVERY TANK HARDWARE KIT (1,5,6,7,8)



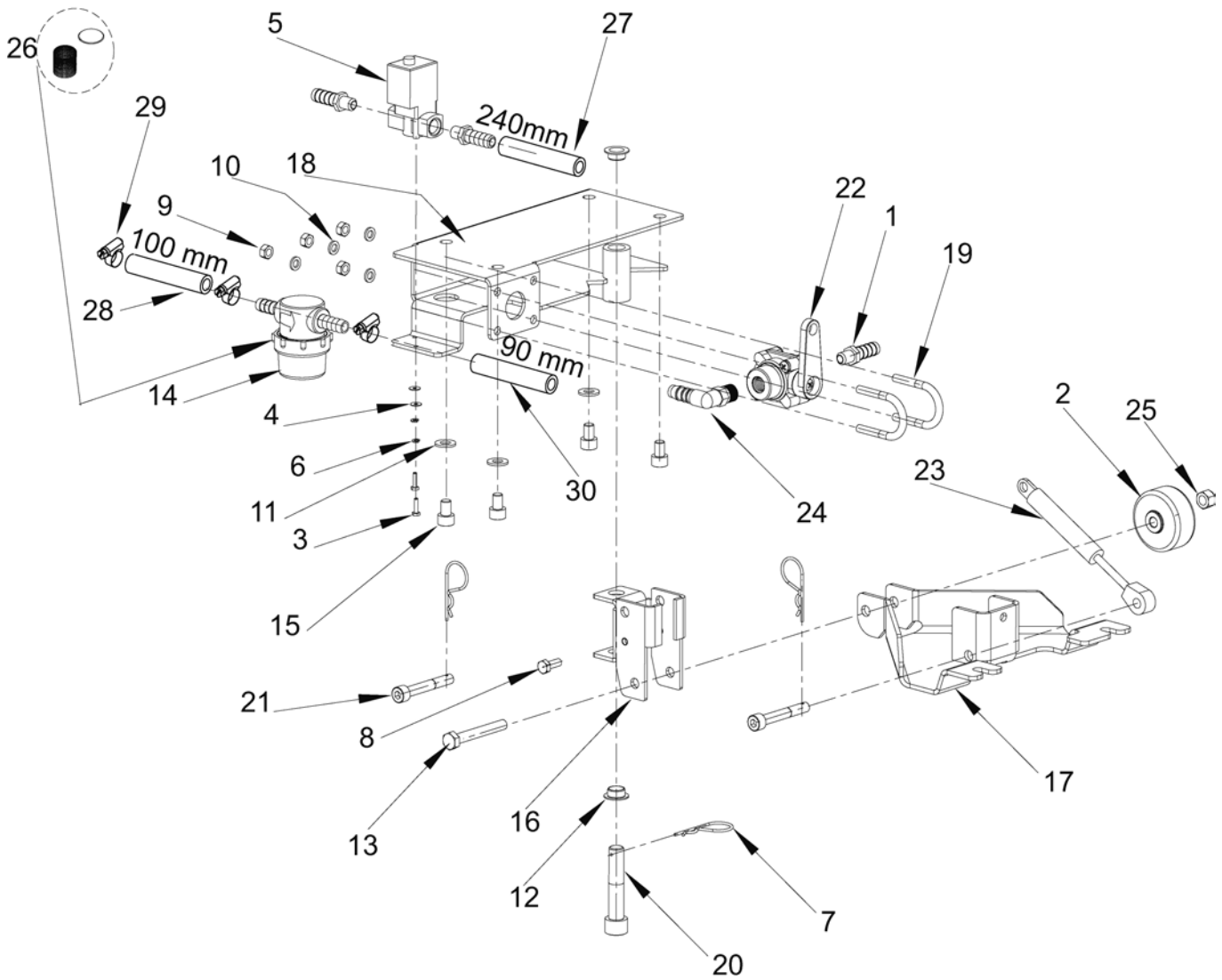
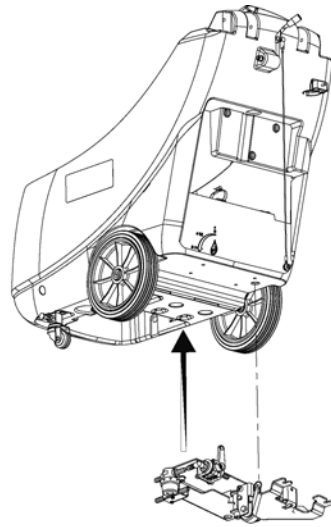
2005-12	HANDLE ASSEMBLY			
2007-05	Razor SV 17			9

ITEM NO.	REF. NO.	QTY	DESCRIPTION
1	xxxxxxxxxx	4	RATCHET HANDLE ADJUSTER (HANDLE ADJUSTER KIT)
2	xxxxxxxxxx	1	WASHER FLAT 8X17 (HANDLE ADJUSTING KIT)
3	xxxxxxxxxx	1	KNOB (HANDLE ADJUSTING KIT)
4	xxxxxxxxxx	1	PIVOT, HANDLE BAR (HANDLE ADJUSTING KIT)
5	909 6274 000	1	HANDLE BAR
6	909 5099 000	1	HANDLE ADJUSTER KIT (1)
7	909 5701 000	1	HANDLE ADJUSTING KIT (2,3,4,6)



2005-12	CONTROL PANEL ASSEMBLY			
2007-09	Razor SV 17			11

ITEM NO.	REF. NO.	QTY	DESCRIPTION
1	33005101	2	SCREW M3X8
2#	L08812909	1	ELECTRONIC CARD
3	145 1756 000	3	SCREW M2,9X9,5 SS
4	909 5584 000	2	SWITCH
5	909 6275 000	1	CONTROL PANEL
6	909 6282 000	1	DECAL CONTROL PANEL

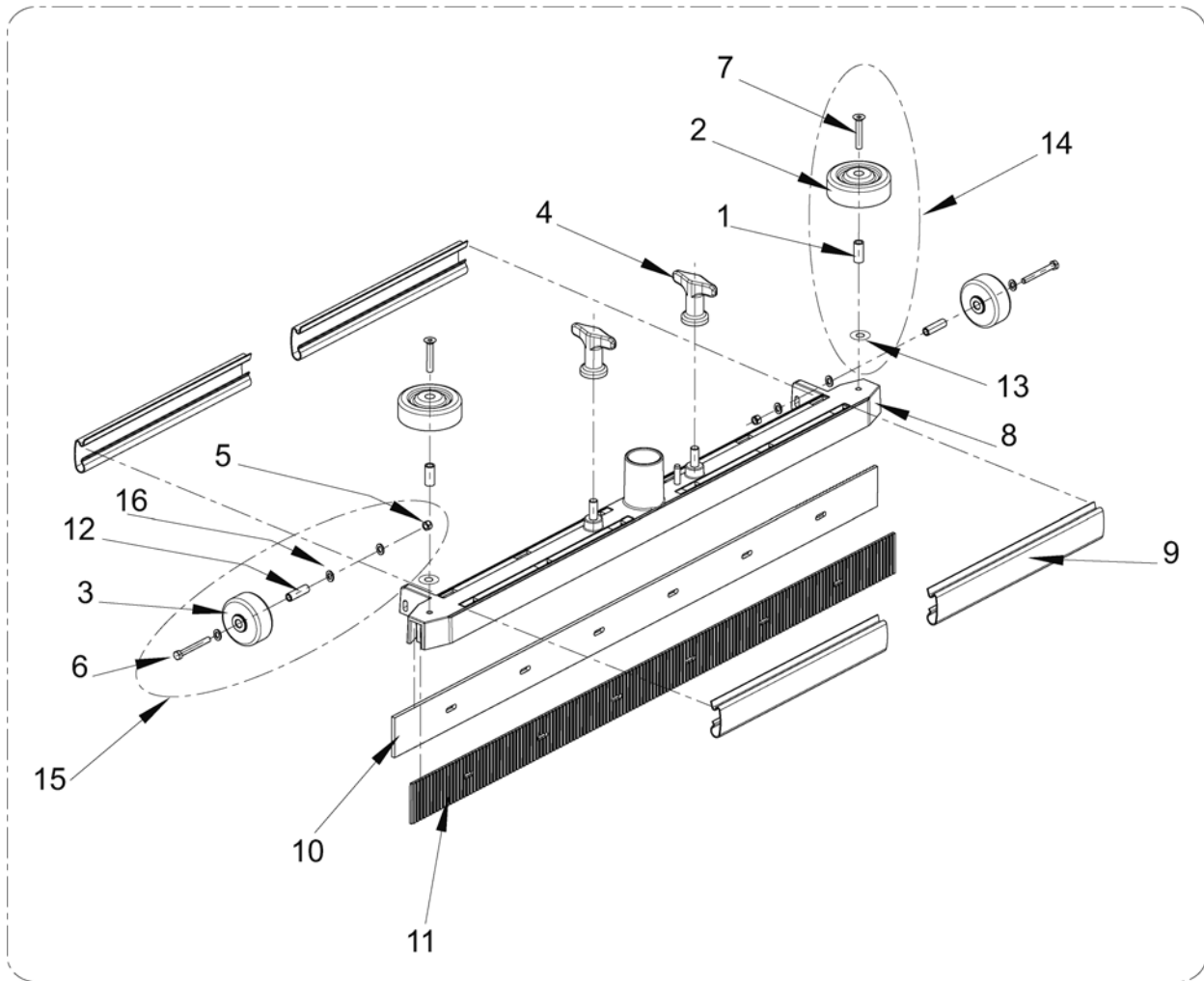
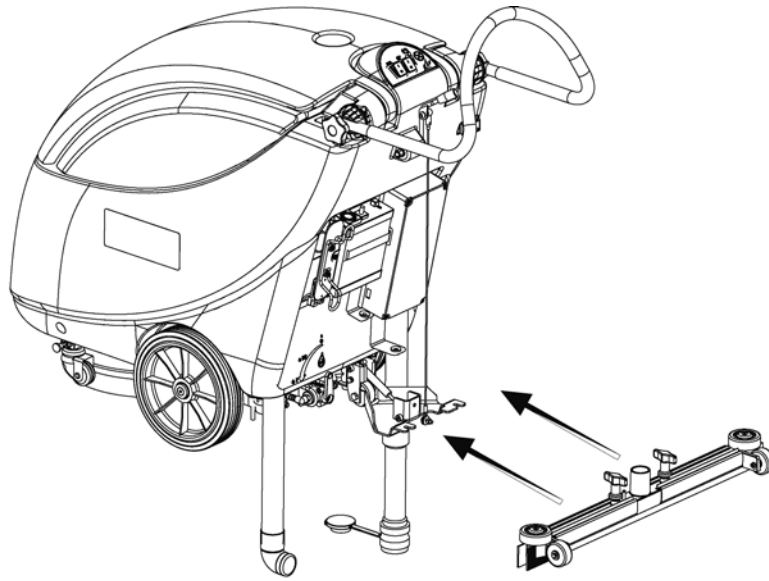


2005-12	SOLUTION SYSTEM			
2007-09	Razor SV 17			13

ITEM NO.	REF. NO.	QTY	DESCRIPTION
1	xxxxxxxxxx	3	RUBBER HOLDER (SOLENOID VALVE KIT)
2#	L08603665	1	WHEEL
3	xxxxxxxxxx	2	SCREW HEX HD M3X12 SS (SOLUTION SYSTEMS HARDWARE KIT)
4	xxxxxxxxxx	2	WASHER FLAT 3X9 SS (SOLUTION SYSTEMS HARDWARE KIT)
5#	L08812960	1	SOLENOID VALVE 24V (SOLENOID VALVE KIT)
6	xxxxxxxxxx	2	WASHER SPLIT 3 SS (SOLUTION SYSTEMS HARDWARE KIT)
7	xxxxxxxxxx	3	SPLIT PIN (SOLUTION SYSTEMS HARDWARE KIT)
8	xxxxxxxxxx	1	SCREW HEX HD M6X16 SS (SOLUTION SYSTEMS HARDWARE KIT)
9	xxxxxxxxxx	4	NUT HEX M6 SS (SOLUTION SYSTEMS HARDWARE KIT)
10	xxxxxxxxxx	4	WASHER FLAT 6X12,5 SS (SOLUTION SYSTEMS HARDWARE KIT)
11	xxxxxxxxxx	3	WASHER FLAT 8X17 SS (SOLUTION SYSTEMS HARDWARE KIT)
12	146 0549 000	2	BUSHING
13	xxxxxxxxxx	1	SCREW HEX HD M8X55 SS (SOLUTION SYSTEMS HARDWARE KIT)
14	9097166000	1	KIT WATER FILTER COMPLETE (SOLENOID VALVE KIT)
15	xxxxxxxxxx	4	SCREW M8X12 (SOLUTION SYSTEMS HARDWARE KIT)
16A	909 5566 000	1	BRACKET
17A	909 5567 000	1	SUPPORT
18	909 5571 000	1	PLATE
19	xxxxxxxxxx	2	CLAMP (SOLUTION SYSTEMS HARDWARE KIT)
20	xxxxxxxxxx	1	SCREW M12X60 SS (SOLUTION SYSTEMS HARDWARE KIT)
21	xxxxxxxxxx	2	SCREW M8X55 SS (SOLUTION SYSTEMS HARDWARE KIT)
22	xxxxxxxxxx	1	VALVE (SOLENOID VALVE KIT)
23	909 5637 000	1	SPRING
24	xxxxxxxxxx	1	RUBBER HOLDER (SOLENOID VALVE KIT)
25	xxxxxxxxxx	1	NUT HEX LOW SELF LOCK M8 SS (SOLUTION SYSTEMS HARDWARE KIT)
26B#	L08603893	1	KIT FILTER NET WITH GASKET
27	xxxxxxxxxx	1	HOSE Ø10 240 MM (SOLENOID VALVE KIT)
28	xxxxxxxxxx	1	HOSE Ø10 100 MM (SOLENOID VALVE KIT)
29	xxxxxxxxxx	3	CLAMP 8/ 9-16 (SOLENOID VALVE KIT)
30	xxxxxxxxxx	1	HOSE Ø10 90 MM (SOLENOID VALVE KIT)
[31]#	L08603885	1	CONNECTOR FOR SOLENOID VALVE
[32]	909 5977 000	1	SOLENOID VALVE KIT (1,5,14,22,24,27,28,29,30)
[33]	909 5990 000	1	SOLUTION SYSTEMS HARDWARE KIT (3,4,6,7,8,9,10,11,13,15,19,20,21,25)

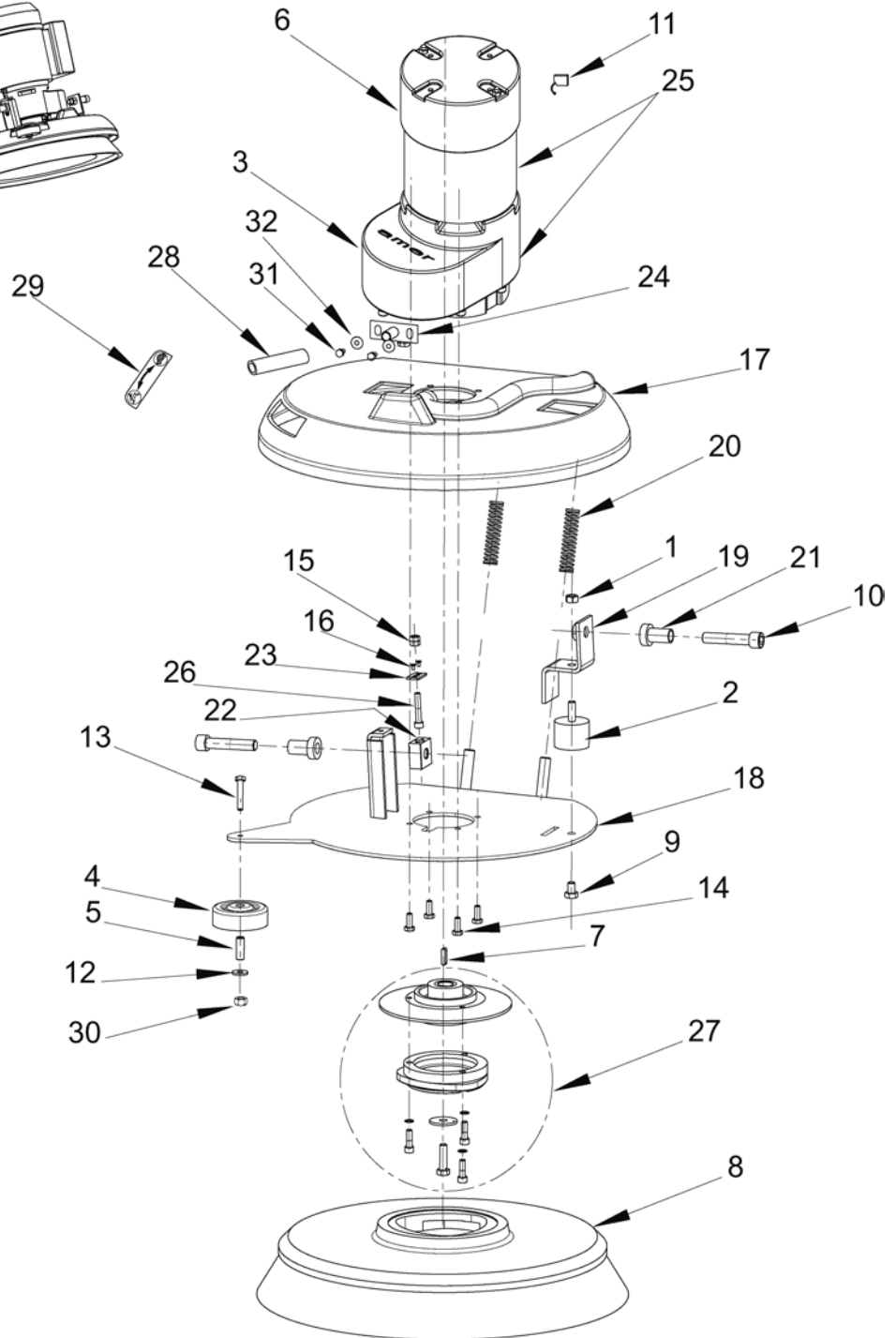
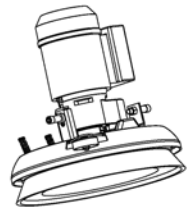
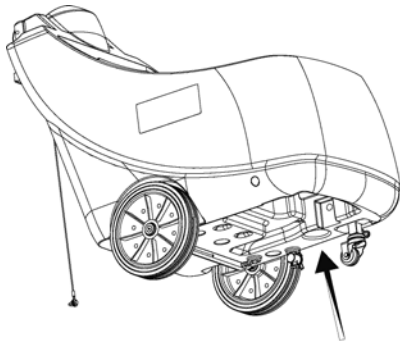
A: TSB IT 2007-015

B: TSB IT 2007-021



2005-12	SQUEEGEE ASSEMBLY			
2007-09	Razor SV 17			15

ITEM NO.	REF. NO.	QTY	DESCRIPTION
1	xxxxxxxxxx	2	SPACER (KIT SQUEEGEE BUMPER ROLLER - KIT SQUEEGEE COMPLETE - SQUEEGEE SYSTEM HARDWARE KIT)
2	xxxxxxxxxx	2	BUMPER ROLLER (KIT SQUEEGEE BUMPER ROLLER - KIT SQUEEGEE COMPLETE - SQUEEGEE SYSTEM HARDWARE KIT)
3	xxxxxxxxxx	2	SQUEEGEE WHEEL (KIT SQUEEGEE WHEEL - KIT SQUEEGEE COMPLETE)
4	xxxxxxxxxx	2	NUT THUMB (KIT SQUEEGEE COMPLETE - SQUEEGEE SYSTEM HARDWARE KIT)
5	xxxxxxxxxx	2	NUT HEX LOW SELFLOCK M5 SS (KIT SQUEEGEE WHEEL - KIT SQUEEGEE COMPLETE - SQUEEGEE SYSTEM HARDWARE KIT)
6	xxxxxxxxxx	2	SCREW HEX HD M5X45 SS (KIT SQUEEGEE WHEEL, KIT SQUEEGEE COMPLETE - SQUEEGEE SYSTEM HARDWARE KIT)
7	xxxxxxxxxx	2	SCREW M6X35(KIT SQUEEGEE BUMPER ROLLER - KIT SQUEEGEE COMPLETE - SQUEEGEE SYSTEM HARDWARE KIT)
8	909 5554 000	1	SQUEEGEE WELDMENT (KIT SQUEEGEE COMPLETE)
9	909 5555 000	4	SPRING (KIT SQUEEGEE COMPLETE)
10	909 5568 000	1	BLADE REAR (KIT SQUEEGEE COMPLETE)
11	909 5569 000	1	BLADE FRONT (KIT SQUEEGEE COMPLETE)
12	xxxxxxxxxx	2	SPACER (KIT SQUEEGEE WHEEL- SQUEEGEE SYSTEM HARDWARE KIT- KIT SQUEEGEE COMPLETE)
13	xxxxxxxxxx	2	WASHER FLAT 6X18 SS (KIT SQUEEGEE BUMPER ROLLER - KIT SQUEEGEE COMPLETE)
14#	L08603880	1	KIT SQUEEGEE BUMPER ROLLER (1,2,7,13)
15	909 5703 000	1	KIT SQUEEGEE WHEEL (3,5,6,12,16)
16	xxxxxxxxxx	6	WASHER FLAT 5X15 SS (KIT SQUEEGEE WHEEL - KIT SQUEEGEE COMPLETE - SQUEEGEE ASSEMBLY HARDWARE KIT)
17	909 5702 000	1	KIT SQUEEGEE COMPLETE (1,2,3,4,5,6,7,8,9,10,11,12,13, 16)
[18]	909 5991 000	1	SQUEEGEE ASSEMBLY HARDWARE KIT (1,2,4,5,6,7,12,13,16)
[19]*	909 6467 000	1	KIT CURVED SQUEEGEE COMPLETE TSB IT 2005 - 005
[20]	909 6450 000	1	INSTALLATION INSTRUCTION FOR KIT CURVED SQUEEGEE



2005-12

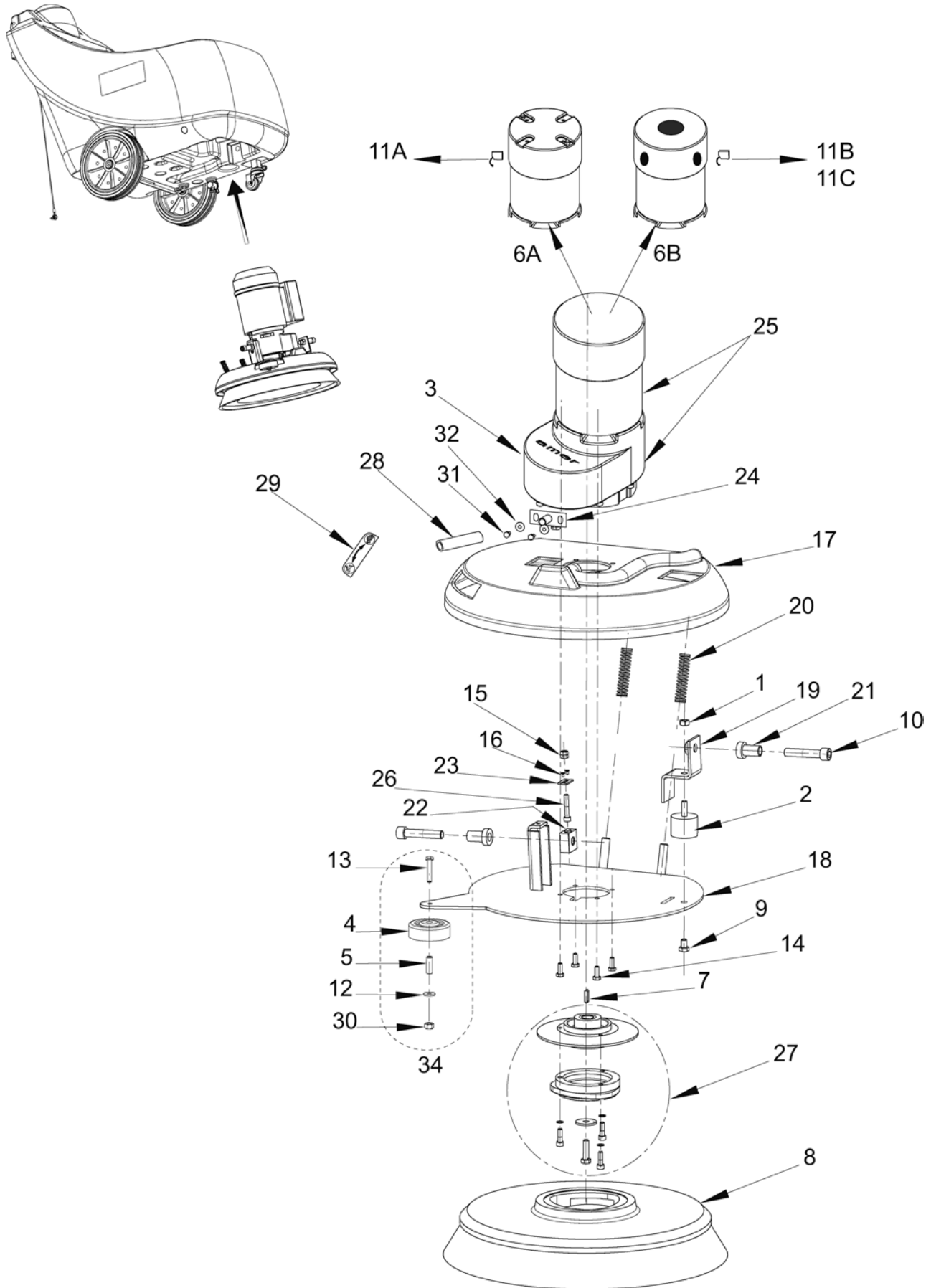
BRUSH SYSTEM

2007-09

Razor SV 17 - Before machine S/N 054920336

17

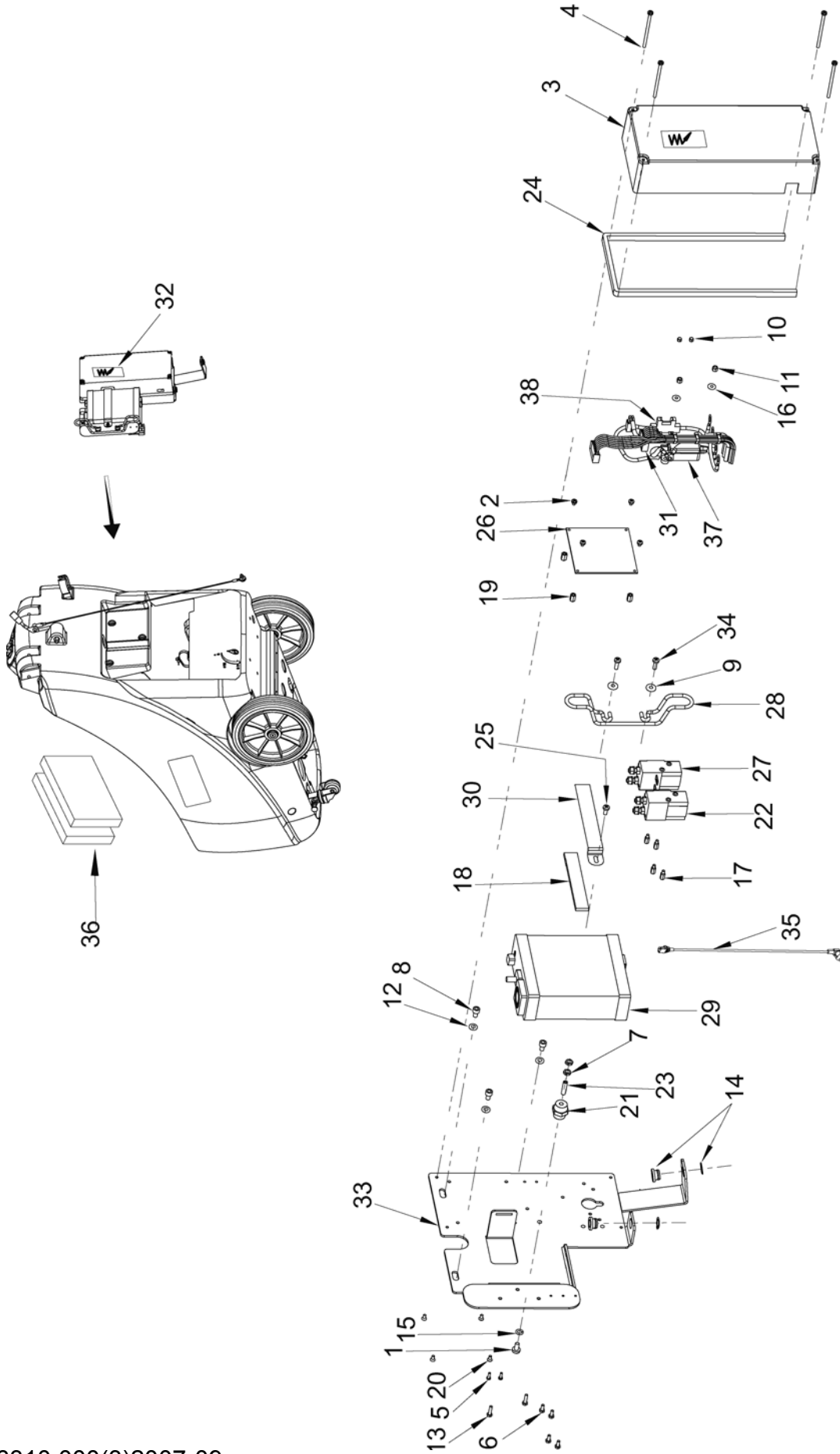
ITEM NO.	REF. NO.	QTY	DESCRIPTION
1	xxxxxxxxxx	1	NUT (BRUSH SYSTEM HARDWARE KIT)
2	9097184000	1	VIBRATION DAMPING
3#	L08603849	1	REDUCTION GEAR
4	56363855	1	BUMPER ROLLER
5	909 5710 000	1	SPACER
6	909 5508 000	1	ELECTRIC MOTOR
7	xxxxxxxxxx	1	TAB (BRUSH SYSTEM HARDWARE KIT)
8#	L08812891	1	BRUSH Ø430 PROLENE PPL
8*	909 5691 000	1	BRUSH Ø430 MIDLITE GRIT180
8*	909 5692 000	1	BRUSH Ø430 MIDRIT 240
8*	909 5693 000	1	BRUSH Ø430 PROLITE
8*	909 5694 000	1	BRUSH Ø430 UNION MIX
9	xxxxxxxxxx	1	SCREW HEX HD M8X12 (BRUSH SYSTEM HARDWARE KIT)
10	xxxxxxxxxx	2	SCREW M12X55 (BRUSH SYSTEM HARDWARE KIT)
11	909 5720 000	1	CARBON BRUSH SET (4 PCS)
12	xxxxxxxxxx	2	WASHER FLAT 6X18 (BRUSH SYSTEM HARDWARE KIT)
13	xxxxxxxxxx	1	SCREW M6X40 (BRUSH SYSTEM HARDWARE KIT)
14	xxxxxxxxxx	4	SCREW HEX HD M6X16 SS (BRUSH SYSTEM HARDWARE KIT)
15	xxxxxxxxxx	2	NUT HEX M6 SS (BRUSH SYSTEM HARDWARE KIT)
16	xxxxxxxxxx	2	SCREW M3X6 (BRUSH SYSTEM HARDWARE KIT)
17	909 5550 000	1	BRUSH PROTECTION
18	909 5556 000	1	PLATE BRUSH SUPPORT
19	909 5557 000	1	BRACKET
20	909 5558 000	2	SPRING
21	909 5559 000	2	BUSHING
22	909 5585 000	1	BRUSH DECK ADJUSTER BLOCK
23	909 5586 000	1	PLATE
24	909 6217 000	1	HOSE COPPER
25	909 5638 000	1	REDUCTIONGEARMOTOR 520W
26	xxxxxxxxxx	1	SCREW M6X30 UNI5931(BRUSH SYSTEM HARDWARE KIT)
27#	L08812589	1	POLYG.HOLDER W.FLANGE KIT
28	909 5622 000	1	HOSE Ø10 640 MM
29	xxxxxxxxxx	1	DECAL BRUSH ADJUSTING (KIT DECALS)
30#	33005604	1	NUT HEX M6 SELFLOCK. LOW
31	146 0632 000	2	SCREW HEX HD M4X8
32	145 9237 000	2	WASHER FLAT 4X12
[33]	909 5992 000	1	BRUSH SYSTEM HARDWARE KIT (1,7,9,10,12,13,14,15,16,26)



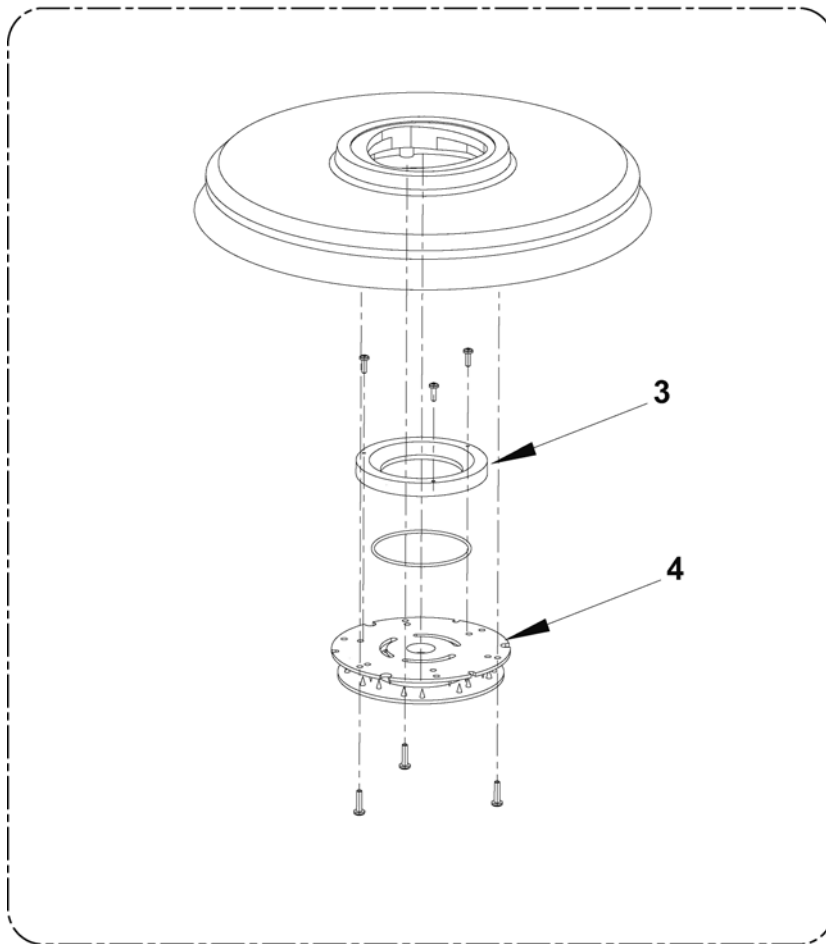
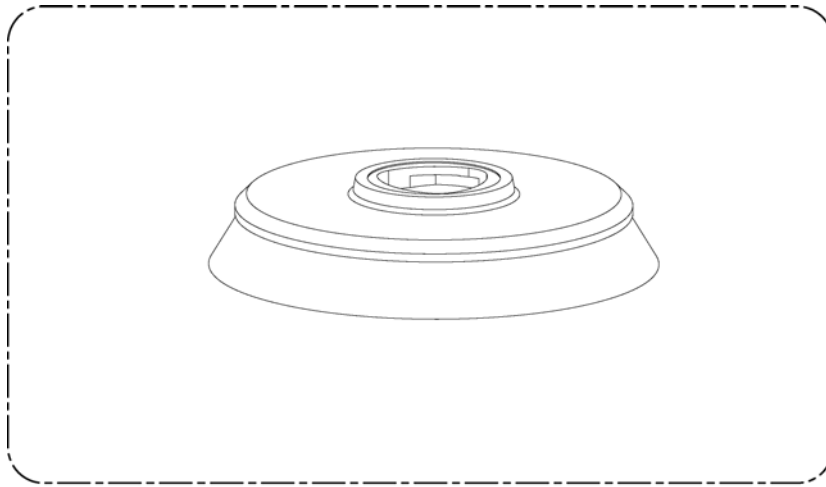
ITEM NO.	REF. NO.	QTY	DESCRIPTION
1	xxxxxxxxxx	1	NUT (BRUSH SYSTEM HARDWARE KIT)
2D	9097184000	1	VIBRATION DAMPING
3#	L08603849	1	REDUCTION GEAR
4	xxxxxxxxxx	1	BUMPER ROLLER (BUMPER ROLLER KIT)
5	xxxxxxxxxx	1	SPACER (BUMPER ROLLER KIT)
6A	909 5508 000	1	ELECTRIC MOTOR
6B	9097114000	1	ELECTRIC MOTOR
7	xxxxxxxxxx	1	TAB (BRUSH SYSTEM HARDWARE KIT)
8#	L08812891	1	BRUSH Ø430 PROLENE PPL
8*	909 5691 000	1	BRUSH Ø430 MIDLITE GRIT180
8*	909 5692 000	1	BRUSH Ø430 MIDRIT 240
8*	909 5693 000	1	BRUSH Ø430 PROLITE
8*	909 5694 000	1	BRUSH Ø430 UNION MIX
9D	xxxxxxxxxx	1	SCREW HEX HD M8X12 SS(BRUSH SYSTEM HARDWARE KIT)
10	xxxxxxxxxx	2	SCREW M12X55 (BRUSH SYSTEM HARDWARE KIT)
11A	909 5720 000	1	CARBON BRUSH W/COVER KIT (4 PCS)
11B	146 3143 000	1	CARBON BRUSH W/COVER KIT (4 PCS)
11C	909 6893 000	1	CARBON BRUSH KIT (4 PCS)
12	xxxxxxxxxx	2	WASHER FLAT 6X18 (BRUSH SYSTEM HARDWARE KIT-BUMPER ROLLER KIT)
13	xxxxxxxxxx	1	SCREW M6X40 (BRUSH SYSTEM HARDWARE KIT-BUMPER ROLLER KIT)
14	xxxxxxxxxx	4	SCREW HEX HD M6X16 SS (BRUSH SYSTEM HARDWARE KIT)
15	xxxxxxxxxx	2	NUT HEX M6 SS (BRUSH SYSTEM HARDWARE KIT)
16	xxxxxxxxxx	2	SCREW M3X6 (BRUSH SYSTEM HARDWARE KIT)
17	909 5550 000	1	BRUSH PROTECTION
18	909 6269 000	1	PLATE BRUSH SUPPORT
19	909 6270 000	1	BRACKET
20	909 5558 000	2	SPRING
21	909 5559 000	2	BUSHING
22	909 5585 000	1	BRUSH DECK ADJUSTER BLOCK
23	909 5586 000	1	PLATE
24	909 6217 000	1	HOSE COPPER
25B	9097113000	1	REDUCTIONGEARMOTOR 520W
26	xxxxxxxxxx	1	SCREW M6X30 (BRUSH SYSTEM HARDWARE KIT)
27#	L08812589	1	POLYG.HOLDER W.FLANGE KIT
28	909 5622 000	1	HOSE Ø10 640 MM
29	xxxxxxxxxx	1	DECAL BRUSH ADJUSTING (KIT DECALS)
30	xxxxxxxxxx	1	NUT HEX M6 SELFLOCK. LOW (BUMPER ROLLER KIT)
31	xxxxxxxxxx	2	SCREW HEX HD M4X8 (BRUSH SYSTEM HARDWARE KIT)
32	xxxxxxxxxx	2	WASHER FLAT 4X12 (BRUSH SYSTEM HARDWARE KIT)
[33]	909 5992 000	1	BRUSH SYSTEM HARDWARE KIT (1,7,9,10,12,13,14,15,16,26,31,32)
34	909 5397 000	1	BUMPER ROLLER KIT (4,5,12,13,30)

A-B-C: TSB IT 2007-011

D TSB IT 2007-018

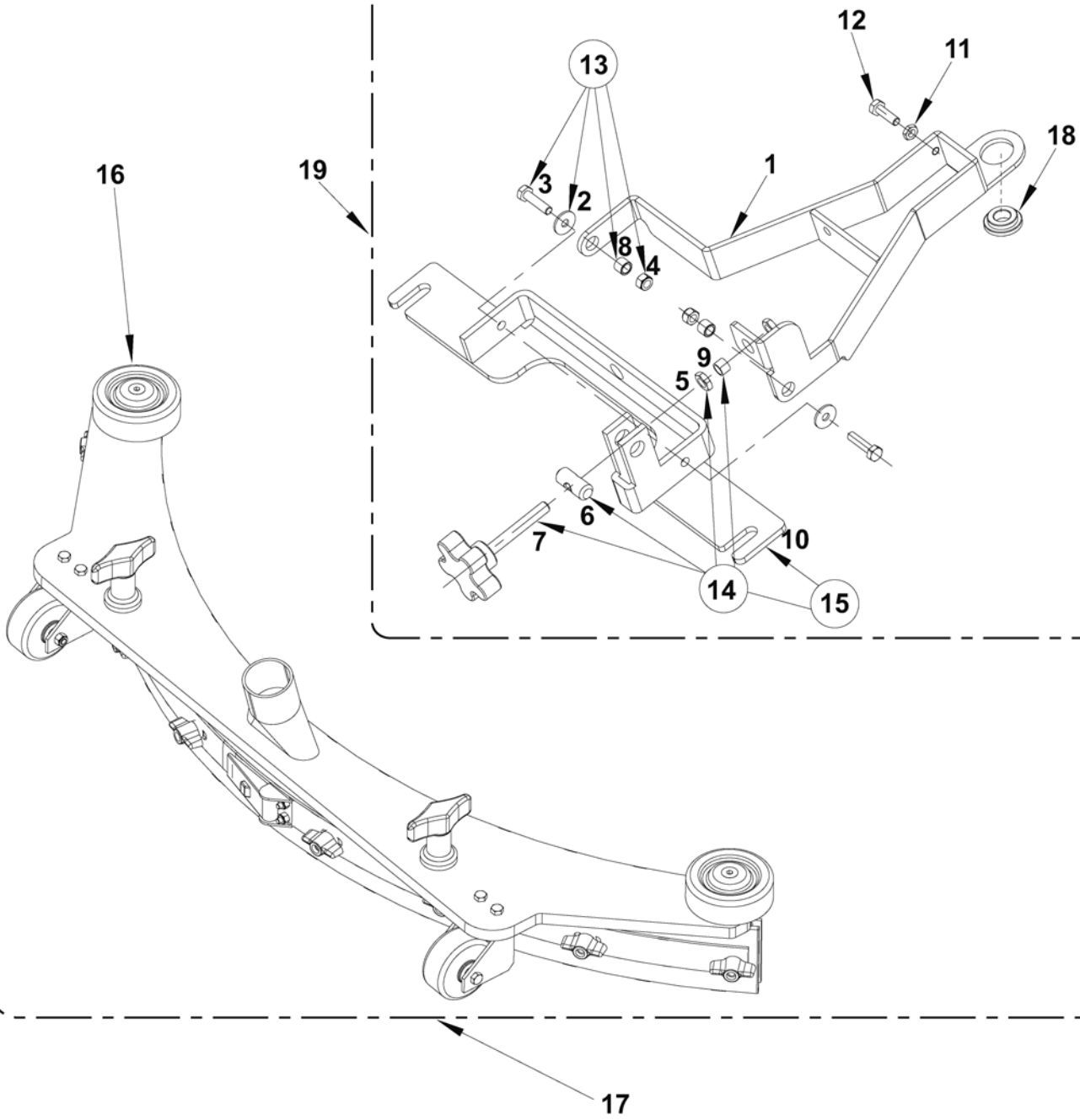


ITEM NO.	REF. NO.	QTY	DESCRIPTION
1	xxxxxxxxxx	1	SCREW CYL HD M6X12 (WIRING SYSTEM HARDWARE KIT)
2	xxxxxxxxxx	4	SCREW CYL HD M4X6 (WIRING SYSTEM HARDWARE KIT)
3	909 6568 000	1	COVER ELECTRONIC CARD
4	xxxxxxxxxx	4	SCREW CYL HD M4X70 (WIRING SYSTEM HARDWARE KIT)
5	xxxxxxxxxx	2	SCREW HEX HD M3X10 (WIRING SYSTEM HARDWARE KIT)
6	xxxxxxxxxx	4	SCREW HEX HD M4X8 (WIRING SYSTEM HARDWARE KIT)
7	xxxxxxxxxx	2	NUT HEX LOW M6 (WIRING SYSTEM HARDWARE KIT)
8	xxxxxxxxxx	3	SCREW M8X16 (WIRING SYSTEM HARDWARE KIT)
9	xxxxxxxxxx	2	WASHER FLAT 5X15 SS (WIRING SYSTEM HARDWARE KIT)
10	xxxxxxxxxx	2	NUT HEX SELFLOCK M3 (WIRING SYSTEM HARDWARE KIT)
11	xxxxxxxxxx	2	NUT HEX SELFLOCK M4 (WIRING SYSTEM HARDWARE KIT)
12	xxxxxxxxxx	3	WASHER FLAT 8X17 (WIRING SYSTEM HARDWARE KIT)
13	xxxxxxxxxx	2	SCREW HEX HD M4X16 (WIRING SYSTEM HARDWARE KIT)
14	909 6062 000	2	KIT BUSH CABLE GIUDE AND RETAINING RING
15	xxxxxxxxxx	1	WASHER SPLIT (WIRING SYSTEM HARDWARE KIT)
16	xxxxxxxxxx	4	WASHER FLAT 4X9 (WIRING SYSTEM HARDWARE KIT)
17	xxxxxxxxxx	4	SPACER M4 (WIRING SYSTEM HARDWARE KIT)
18	146 0656 000	1	GASKET L=125 MM
19	xxxxxxxxxx	4	SPACER HEX (WIRING SYSTEM HARDWARE KIT)
20	146 0658 000	4	SCREW M4X8
21	146 0708 000	1	INSULATOR M6 WHITE
22	909 5127 000	1	ELECTROMAGNETIC SWITCH24V
23	xxxxxxxxxx	1	DOWEL M6X25 (WIRING SYSTEM HARDWARE KIT)
24	146 2118 000	1	GASKET L=750 MM
25	xxxxxxxxxx	1	SCREW CYL HD M5X12 SS (WIRING SYSTEM HARDWARE KIT)
26	909 5098 000	1	ELECTRONIC CARD
27	146 0719 000	1	ELECTROMAGNETIC SWITCH 24V
28	909 5149 000	1	SUPPORT BATTERY CHARGER CABLE
29A	909 5561 000	1	BATTERY CHARGER 100V-230V
29B	9097046000	1	BATTERY CHARGER 24V 8/9A 100-240V
30A	909 5570 000	1	BRACKET
30B	909 6234 000	1	BRACKET
31A	909 5845 000	1	HARNESS ELECTRONIC CARD
31B	909 6427 000	1	HARNESS ELECTRONIC CARD
32	xxxxxxxxxx	2	DECAL TENSION (DECALS KIT)
33	909 6302 000	1	ELECTRICAL COMPONENTS FITTING PLATE
34	xxxxxxxxxx	2	SCREW CYL HD M5X16 (WIRING SYSTEM HARDWARE KIT)
35	9096914000	1	BATTERY CHARGER CABLE EXTENTION
36#	L08812670	2	RESTRAINT
37	145 8046 000	1	FUSE HOLDER
38	146 0660 000	1	BLADE FUSE HOLDER
[39]	909 6306 000	1	MACHINE HARNESS
[40]	145 9852 000	1	BLADE FUSE 5A
[41]	145 3824 000	1	BRUSH STRIP FUSE 40A
[42]	145 8513 000	1	VACUUM BLADE FUSE 30A
[43]A	909 5982 000	1	BATTERY CHARGER POWER CABLE
[44]A	909 5983 000	1	BATTERY CHARGER OUTLET CABLE
[45]A	909 5984 000	1	BATTERY CHARGER COOLING FAN
[46]#	L08812093	4	BOOT BATTERY CLAMPS
[47]	909 5955 000	1	BATTERY HARNESS
[49]	xxxxxxxxxx	1	DECAL FUSE 40A (DECALS KIT)
[50]	xxxxxxxxxx	1	DECAL FUSE 30A (DECALS KIT)
[51]	909 5994 000	1	WIRING SYSTEM HARDWARE KIT (1,2,4,5,6,7,8,9,10,11,12,13,15,16,17,19,23,25,34)
[52]B	145 0227 000	1	BLADE FUSE 40A
[53]B	909 6446 000	1	FAN COOLING
[54]B	909 6447 000	1	COVER ABS
[55]B	909 6448 000	1	WIRES BATT.CHARGER KIT
[56]B	145 1248 000	1	CAP D. 7,9
[57]B	9097049000	1	BATTERY CHARGER CPL KIT 24V 8/9A 100-240V
[58]B	9097050000	1	INSTALLATION INSTRUCTION FOR BATT.CHARGER KIT



2005-12	ACCESSORIES		
2007-09	Razor SV 17		23

ITEM NO.	REF. NO.	QTY	DESCRIPTION
1*	909 5691 000	1	BRUSH Ø430 MIDLITE GRIT180
1*	909 5692 000	1	BRUSH Ø430 MIDRIT 240
1*	909 5693 000	1	BRUSH Ø430 PROLITE
1*	909 5694 000	1	BRUSH Ø430 UNION MIX
2*	909 5695 000	1	PAD HOLDER 410
3#	L08603966	1	RING NYLON
4#	L08837030	1	RETAINER PAD



2005-12	ACCESSORIES			
2007-09	Razor SV 17			25

Item No.	Ref. No.	Qty	Description
1	909 5914 000	1	BRACKET
2	xxxxxxxxxx	2	WASHER FLAT (FIXTURE NOZZLE HOLDER LEFT/RIGHT KIT)
3	xxxxxxxxxx	2	SCREW HEX HD M6X25 (FIXTURE NOZZLE HOLDER LEFT/RIGHT KIT)
4	xxxxxxxxxx	2	NUT HEX LOW SELFLOCK M6 (FIXTURE NOZZLE HOLDER LEFT/RIGHT KIT)
5	xxxxxxxxxx	2	NUT HEX LOW M8 (ADJUSTMENT SCREW KIT)
6	xxxxxxxxxx	1	PIN (ADJUSTMENT SCREW KIT)
7	xxxxxxxxxx	1	KNOB (ADJUSTMENT SCREW KIT)
8	xxxxxxxxxx	2	SPACER (FIXTURE NOZZLE HOLDER LEFT/RIGHT KIT)
9	xxxxxxxxxx	1	SPACER (ADJUSTMENT SCREW KIT)
10	xxxxxxxxxx	1	SQUEEGEE LOWER HOLDER (KIT SQUEEGEE HOLDER)
11	33005531	1	NUT HEX LOW M6
12	33003975	1	SCREW HEX M6X20
13	56325682	1	FIXTURE LEFT/RIGHT KIT (2,3,4,8)
14	56325684	1	ADJUSTMENT SCREW KIT (5,6,7,9)(KIT SQUEEGEE HOLDER)
15#	L08603876	1	KIT SQUEEGEE HOLDER (14,10)
16*#	L08603878	1	KIT SQUEEGEE CURVED
17*	909 6467 000	1	KIT CURVED SQUEEGEE COMPLETE
18	909 5915 000	1	SPACER
19	909 6047 000	1	KIT SQUEEGEE SUPPORT (1,11,12,13,15,22)
[20]	56393285	1	SQUEEGEE BLADE FRONT
[21]	56325685	1	SQUEEGEE BLADE REAR
[20]*#	L08837041	1	KIT OIL RESISTANT CURVED SQUEEGEE BLADES
[21]	909 6450 000	1	INSTALLATION INSTRUCTIONS FOR CURVED SQUEEGEE COMPLETE

RECOMMENDED SPARE PARTS

2005-12

26

Razor SV 17

2007-05

ITEM NO. QTY DESCRIPTION

SOLUTION / RECOVERY TANK SYSTEMS

909 6437 000 1 KIT SQUEEGEE LITFING CABLE
 909 5696 000 1 VALVE
 909 6268 000 1 GASKET
 # L08812869 1 DRAIN HOSE
 909 6301 000 1 SUCTION HOSE
 909 6438 000 1 SOLUTION TANK HARDWARE KIT
 909 5988 000 1 RECOVERY TANK HARDWARE KIT

VACUUM SYSTEM

909 5564 000 1 PIPE ACOUSTIC INSULATION
 909 5565 000 1 PIPE ACOUSTIC INSULATION
 909 5713 000 1 KIT VACUUM MOTOR WITH CONNECTOR
 909 5371 000 2 CARBON BRUSH
 909 5987 000 1 VACUUM SYSTEM HARDWARE KIT

HANDLE/ CONTROL PANEL ASSEMBLY

909 5584 000 2 SWITCH
 909 5099 000 1 HANDLE ADJUSTER KIT
 909 5701 000 1 HANDLE ADJUSTING KIT

SOLUTION SYSTEM

L08812960 1 SOLENOID VALVE 24V
 9097166000 1 KIT WATER FILTER COMPLETE SEE TSB IT 2007-021
 # L08603893 1 KIT FILTER NET WITH GASKET
 909 5977 000 1 SOLENOID VALVE KIT
 909 5990 000 1 SOLUTION SYSTEM HARDWARE KIT

SQUEEGEE SYSTEM

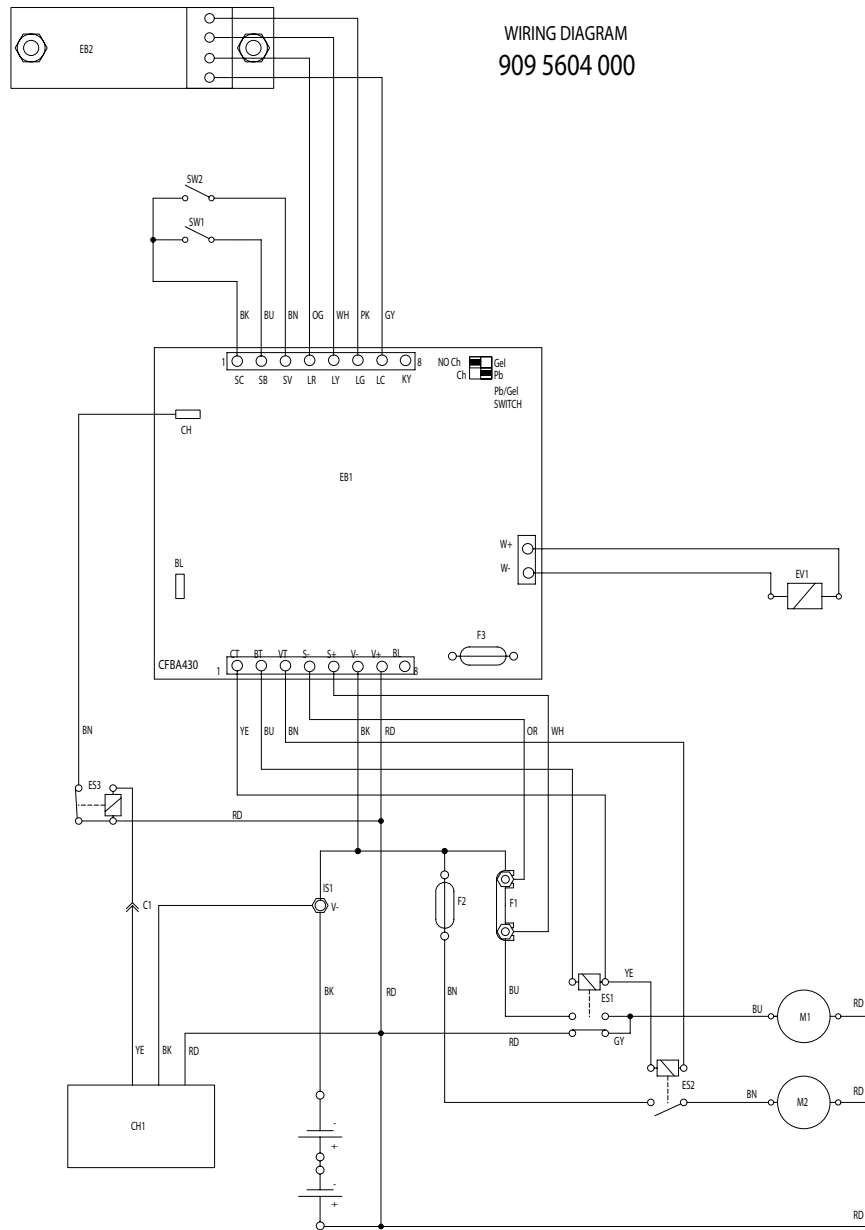
909 5554 000 1 SQUEEGEE WELDMENT
 909 5555 000 1 SPRING
 909 5568 000 1 BLADE REAR
 909 5569 000 1 BLADE FRONT
 # L08603880 1 KIT SQUEEGEE BUMPER ROLLER
 909 5703 000 1 KIT SQUEEGEE WHEEL
 909 5702 000 1 KIT SQUEEGEE COMPLETE
 909 5991 000 1 SQUEEGEE SYSTEM HARDWARE KIT

BRUSH SYSTEM

9097184000 1 VIBRATION DUMPING
 909 5397 000 1 BUMPER ROLLER KIT
 # L08812891 1 BRUSH Ø430 PROLENE PPL
 909 5720 000 1 CARBON BRUSH W/COVER KIT (4 PCS) - SEE TSB IT 2007-011
 146 3143 000 1 CARBON BRUSH W/COVER KIT (4 PCS) - SEE TSB IT 2007-011
 909 6893 000 1 CARBON BRUSH KIT (4 PCS) - SEE TSB IT 2007-011
 909 5558 000 2 SPRING
 9097113000# 1 REDUCTIONGEAR MOTOR 520W 24V - SEE TSB IT 2007-011
 909 5992 000 1 BRUSH SYSTEM HARDWARE KIT

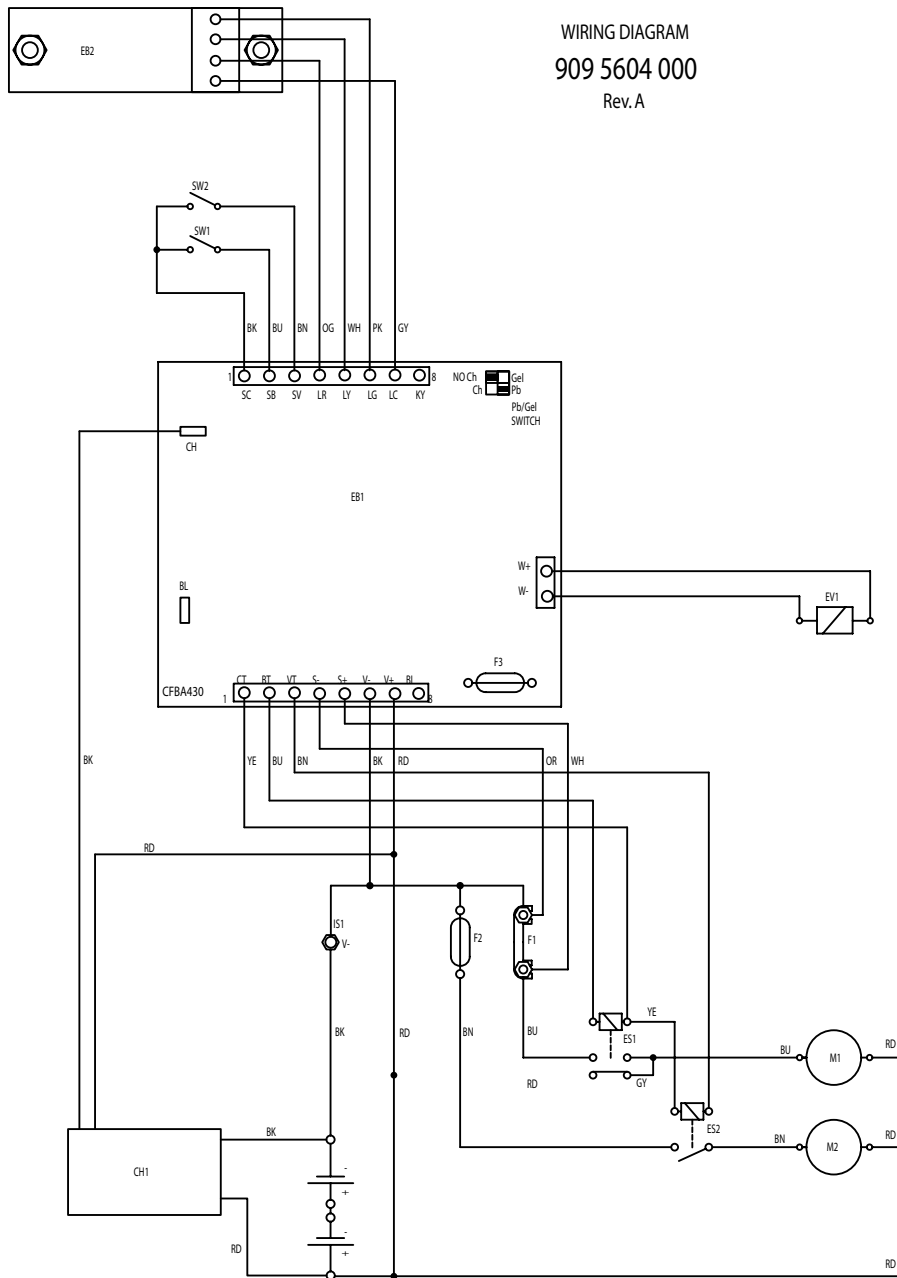
WIRING SYSTEM

146 0719 000 1 ELECTROMAGNETIC SWITCH 24V
 909 5098 000 1 ELECTRONIC CARD
 909 5127 000 1 ELECTROMAGNETIC SWITCH 24V
 909 5561 000 1 BATTERY CHARGER 100-230V - SEE TSB IT 2007-017
 9097046000 1 BATTERY CHARGER 24V 8/9A 100-240V - SEE TSB IT 2007-017
 9097049000 1 BATTERY CHARGER CPL KIT 24V 8/9A 100-240V - SEE TSB IT 2007-017
 909 6062 000 2 KIT BUSH CABLE GUIDE AND RETAINING RING
 909 5994 000 1 WIRING SYSTEM HARDWARE KIT



LEGENDA	
CH1	BATTERY CHARGER 909 5561 000
C1	CHARGER OUTPUT CONNECTOR included in 909 5561 000
EB1	ELECTRONIC CARD (CFBA430) 909 5098 000
EB2	LED CARD (CFBALED) 08812909
ES1	BRUSH ELECTROMAGNETIC SWITCH 909 5127 000
ES2	VACUUM ELECTROMAGNETIC SWITCH 146 0719 000
ES3	CHARGER OUTPUT RELAIS included in 909 5845 000
EV1	SOLENOID VALVE 08812960
F1	BRUSH STRIP FUSE (40A) 145 3824 000
F2	VACUUM BLADE FUSE (40A) 145 0227 000
F3	WATER VALVE & ELECTR. BLADE FUSE (5A) 145 9852 000
IS1	NEGATIVE INSULATOR 146 0708 000
M1	REDUCTION GEAR MOTOR 909 5638 000
M2	KIT VACUUM MOTOR W/ CONNECTOR 909 5713 000
SW1	BRUSH SWITCH 909 5584 000
SW2	VACUUM SWITCH 909 5584 000

WIRING DIAGRAM
909 5604 000
Rev. A



LEGENDA	
CH1	BATTERY CHARGER (OPT)
C1	CHARGER OUTPUT CONNECTOR (OPT)
EB1	ELECTRONIC BOARD (CFBA430)
EB2	LED BOARD (CFBALED)
ES1	BRUSH EL. SWITCH
ES2	VACUUM EL. SWITCH
EV1	WATER ELECTRIC VALVE
F1	BRUSH FUSE (40A)
F2	VACUUM FUSE (30A)
F3	WATER VALVE & ELECTR. FUSE (5A)
IS1	NEGATIVE INSULATOR
M1	BRUSH MOTOR
M2	VACUUM MOTOR
SW1	BRUSH SWITCH
SW2	VACUUM SWITCH

COLORS CODES		
BK	BLACK	nero
BU	BLUE	azzurro
BN	BROWN	marrone
GN	GREEN	verde
GY	GREY	grigio
OG	ORANGE	arancio
PK	PINK	rosa
RD	RED	rosso
VT	VIOLET	viola
WH	WHITE	bianco
YE	YELLOW	giallo

KENT

Simple. Clean.

14600 21st Avenue North
Plymouth, MN, 55447-3408
www.kenteuroclean.com
Phone: 800-334-1083
Fax: 866-261-4779
©2007 Printed in Italy