



Electronic Service Manuals

This electronic document is provided as a service to our customers. We do not create the contents of the information contained in this document. Should you have detailed questions pertaining to the information contained in this document, you may contact Michco, or the manufacturer which provided the original information in this electronic deliverable. Michco's only part in this electronic deliverable was the electronic assembly process. By providing this manual on line we are not guaranteeing parts availability.

You may contact Michco through the following methods:

Phone (517) 484-9312 or (800) 331-3339

2011 N. High St. -- Lansing, Michigan -- 48906

Fax: (517) 484-9836

Email: CustServe@Michco.com

Web site: www.Michco.Com

Parts Web site: www.FloorMachineParts.Com

Order Parts on Line at:

www.FloorMachineParts.Com

Directly to Parts & Service:

By Email: **Shop@Michco.com**

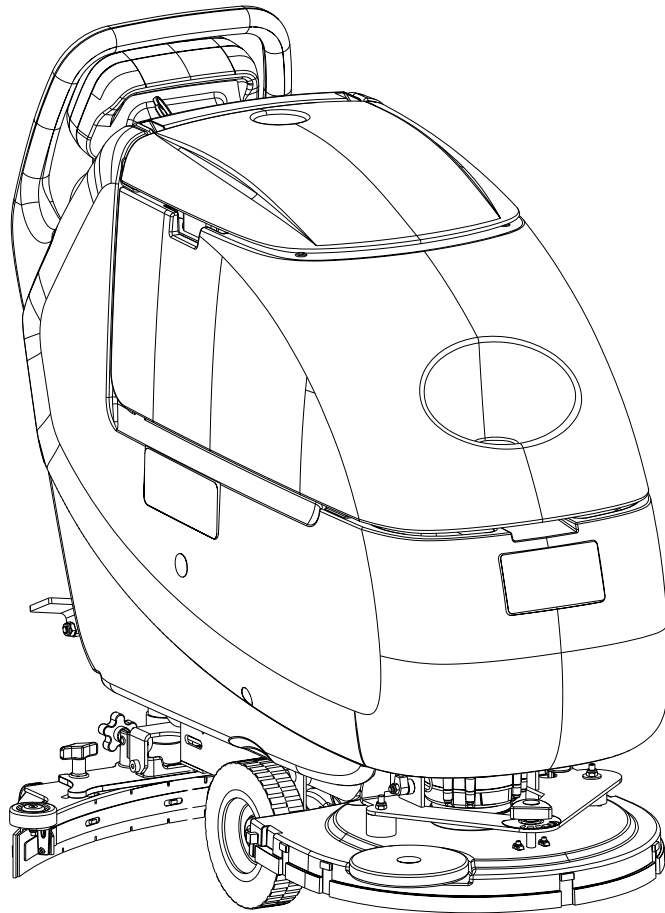
By Fax: (517) 702-2041

By Voice: Use numbers above.

Serving the Cleaning Industry Since 1922

Notice: All copyrighted material remains property of original owners, all trademarks are property of respective owners. Manuals are subject to Manufacturer's reproduction limitations. Originals or reproductions were provided by manufacturers through a request. We make no warranty as to the correctness of information provided in this document and you assume all risk. By placing these manuals on line we are not declaring our corporation to be an manufacturer authorized dealer or provider, please check our web site for authorized manufacturers we represent.

Razor™ 20 / 20T



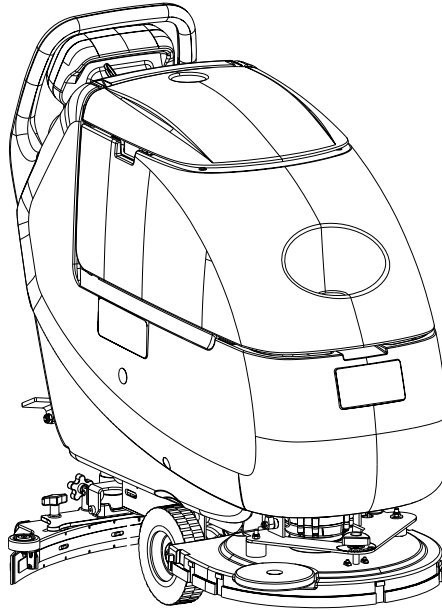
PARTS LIST

Kent models: 9087200020
9087201020

KENT

Simple. Clean.

9097064000(2)2007-09



DESCRIPTION

PLAN

GENERAL VIEW	2 - 3
SOLUTION TANK	4 - 5
RECOVERY TANK	6 - 7
CHASSIS SYSTEM	8 - 9
WHEEL SYSTEMS	10 - 11
HANDLE ASSEMBLY	12 - 13
SOLUTION SYSTEM	14 - 15
SQUEEGEE SYSTEM	16 - 17
BRUSH SYSTEM RAZOR™ 20	18 - 19
BRUSH SYSTEM RAZOR™ 20T	20 - 21
ACCESSORIES	22 - 23
CONTROL PANEL SYSTEM RAZOR™ 20	24 - 25
CONTROL PANEL SYSTEM RAZOR™ 20T	26 - 27
ELECTRICAL COMPONENTS RAZOR™ 20	28 - 29
ELECTRICAL COMPONENTS RAZOR™ 20T	30 - 31
WIRING DIAGRAMS	32 - 33
RECOMMENDED SPARE PARTS	34 - 35

WHEN ORDERING PARTS

- * Use the 8, 9 or 10 digit numbers from the "Ref. No." columns in this parts list.
- * Specify the model and serial number of the machine.
- * Use the space below to record the model and serial number for future reference.

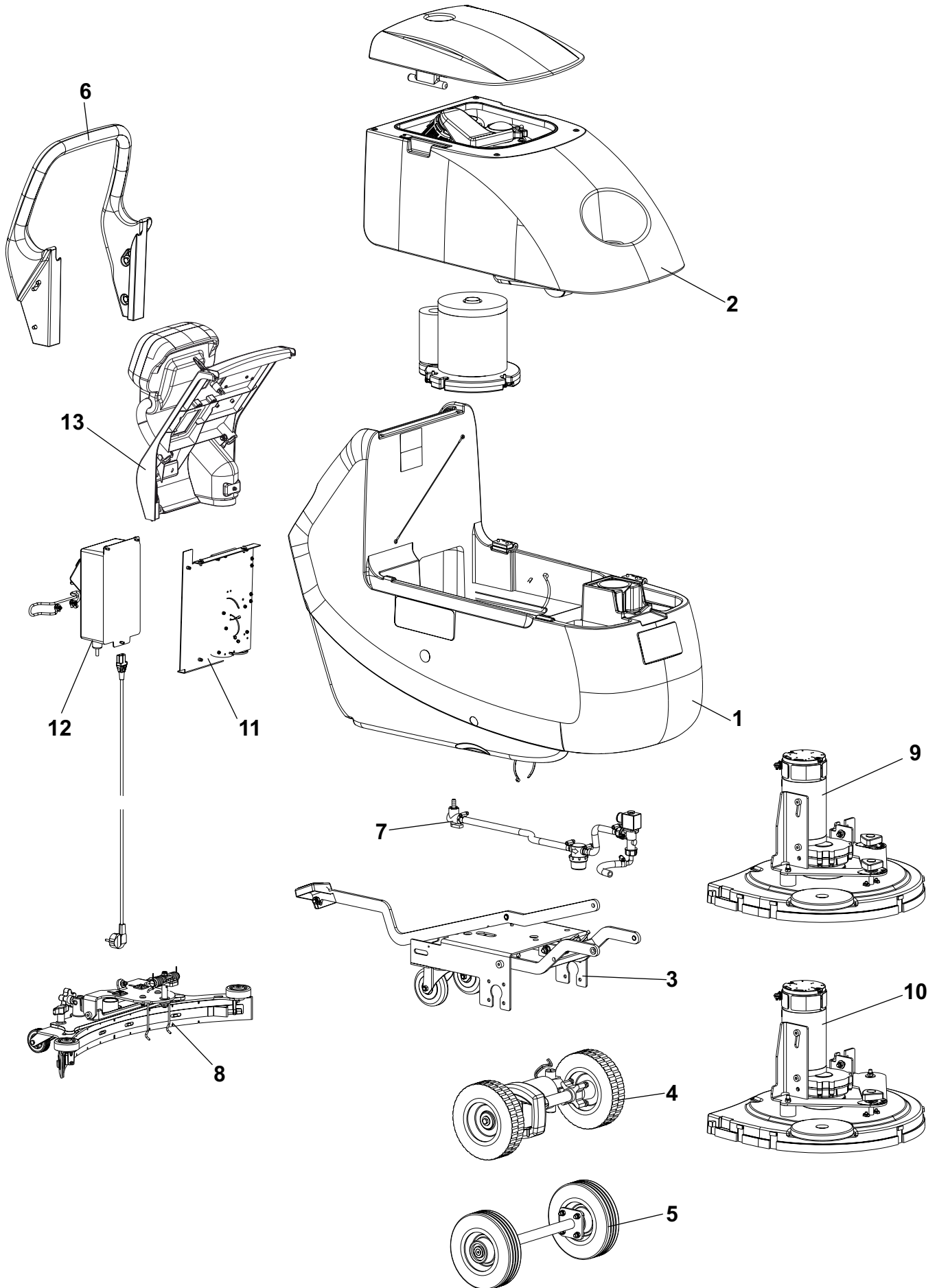
Model _____ Serial No. _____

*** = Optional**

= Modified item No. or New item No.

[] = Not shown

xxxxxx = Contained in a Kit



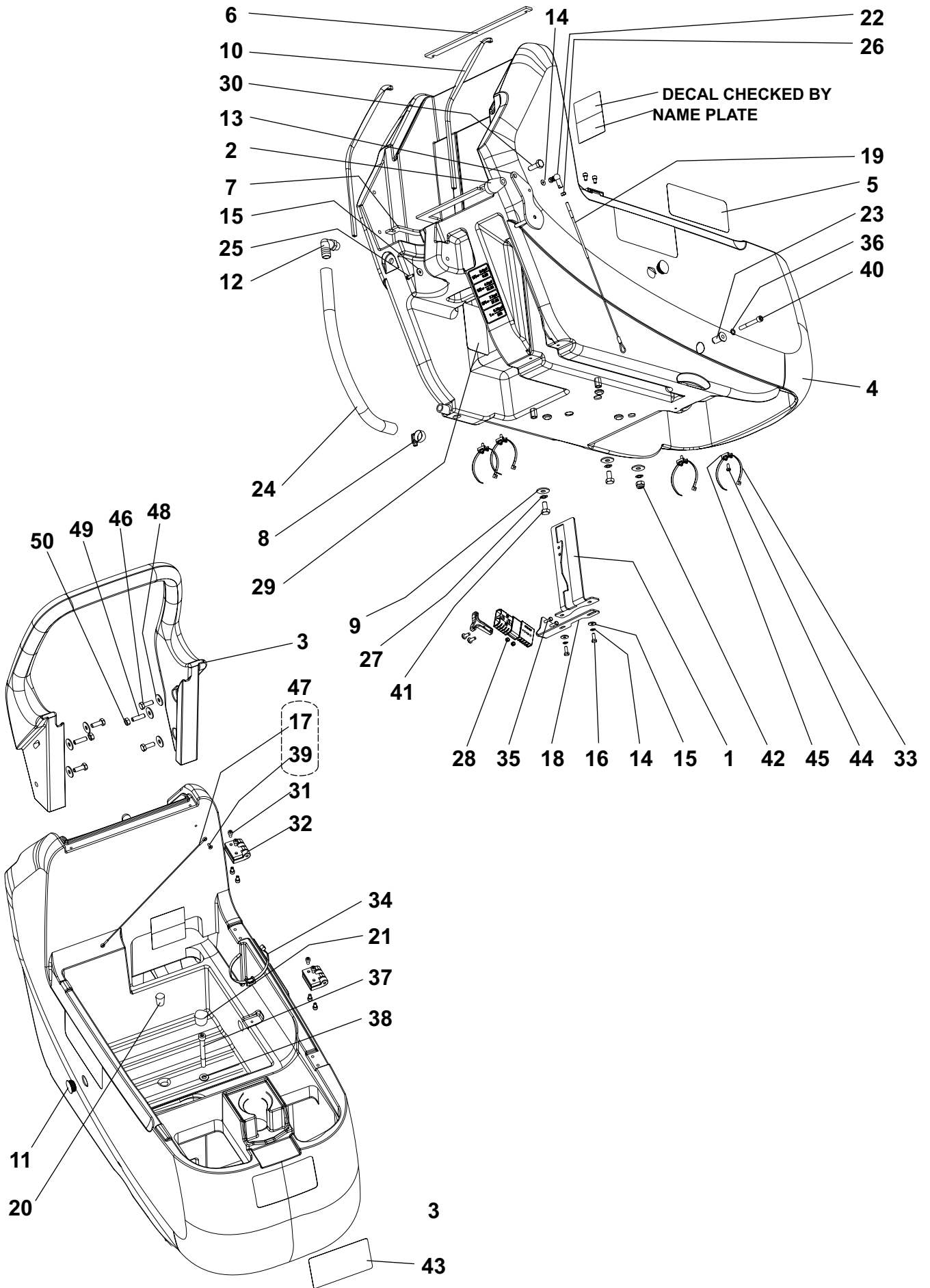
2007-06

GENERAL VIEW

RAZOR™ 20 - 20T

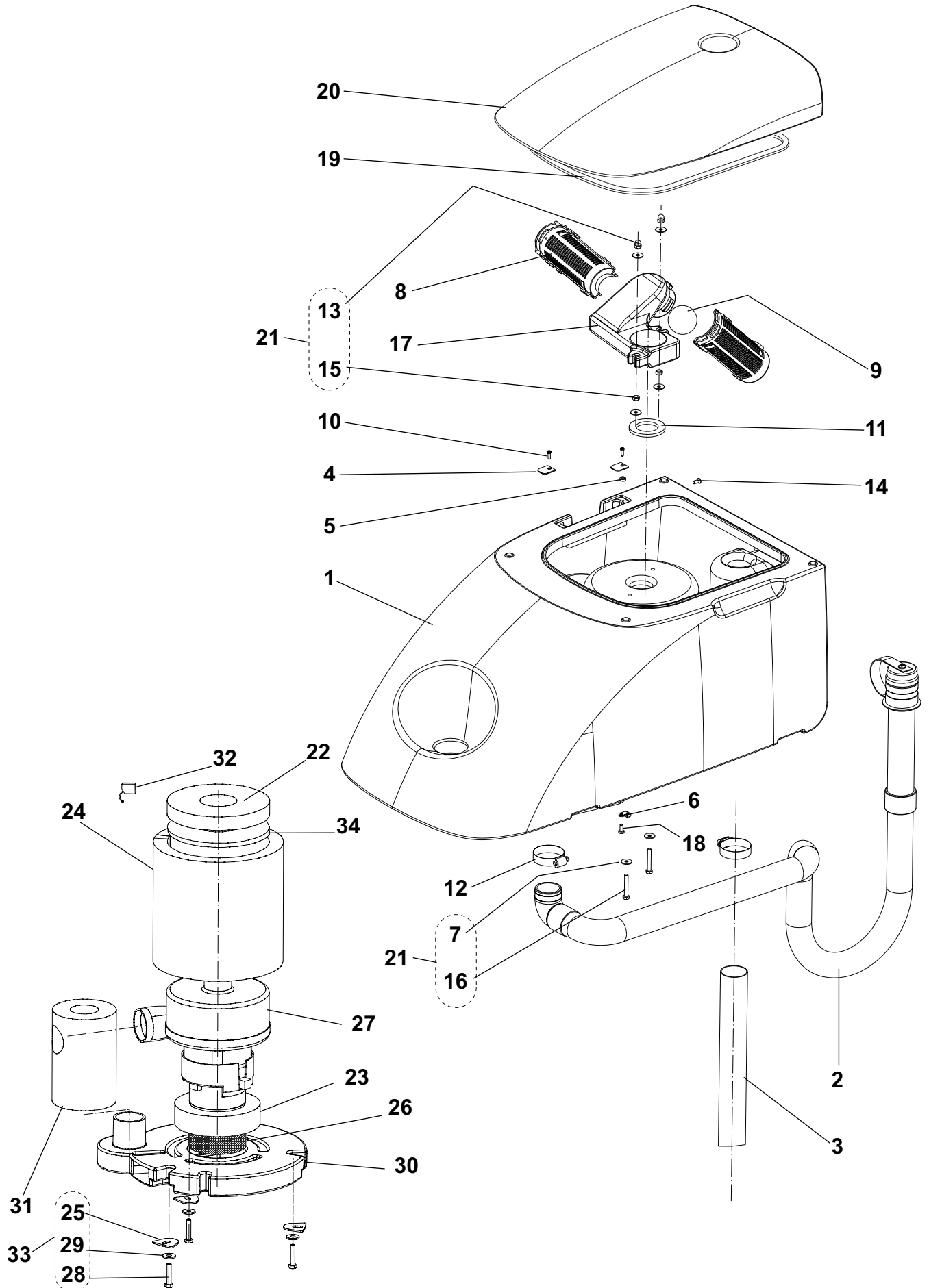
3

Item No.	Ref. No.	Qty	Description
1		1	SOLUTION TANK
2		1	RECOVERY TANK
3		1	CHASSIS SYSTEM
4		1	WHEELS TRACTION SYSTEM
5		1	WHEELS SYSTEM
6		1	HANDLE SYSTEM
7		1	SOLUTION SYSTEM
8		1	SQUEEGEE SYSTEM
9		1	BRUSH SYSTEM RAZOR™ 20
10		1	BRUSH SYSTEM RAZOR™ 20T
11		1	ELECTRICAL COMPONENTS
12		1	BATTERY CHARGER ASSEMBLY
13		1	CONTROL PANEL SYSTEM



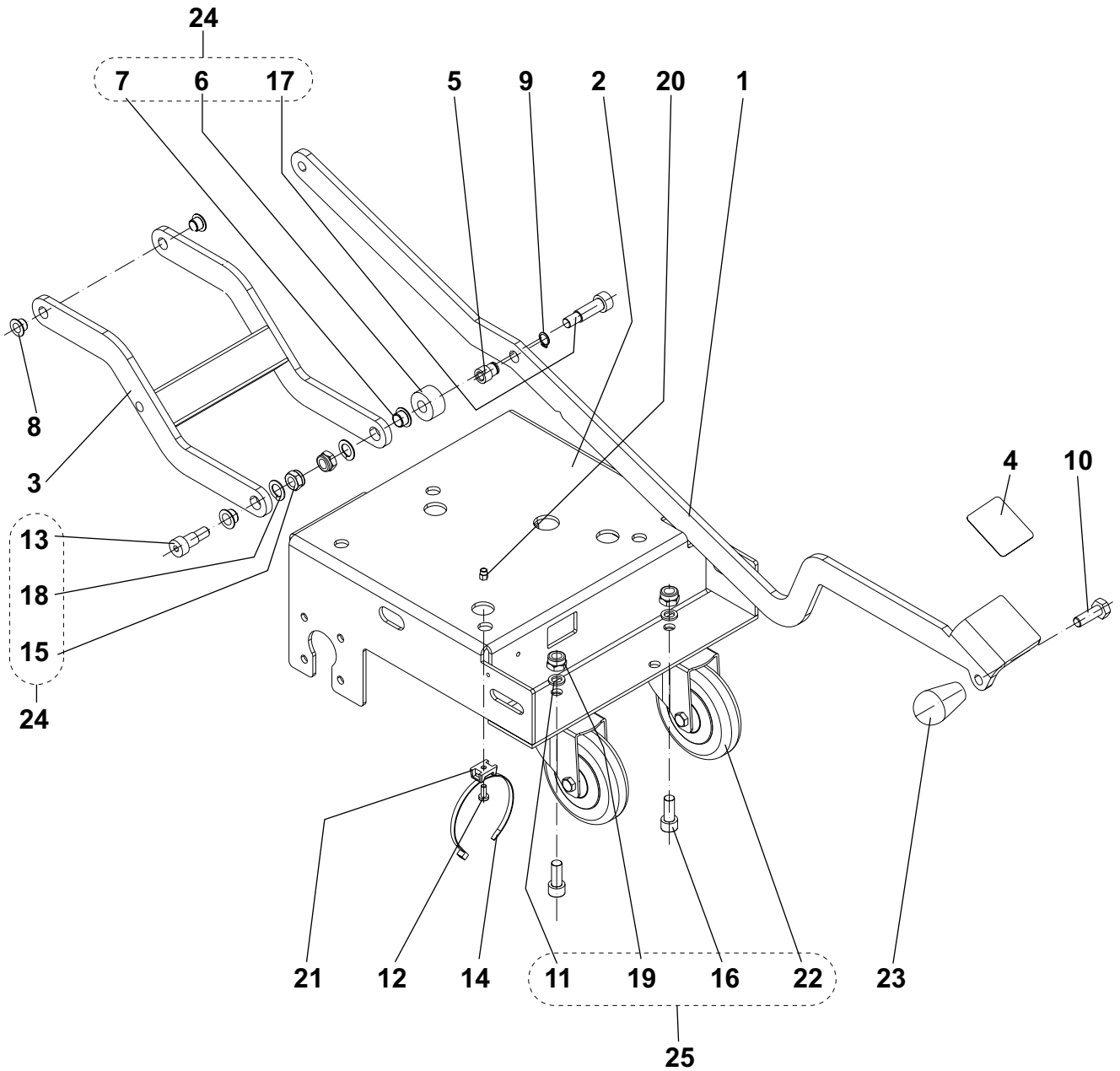
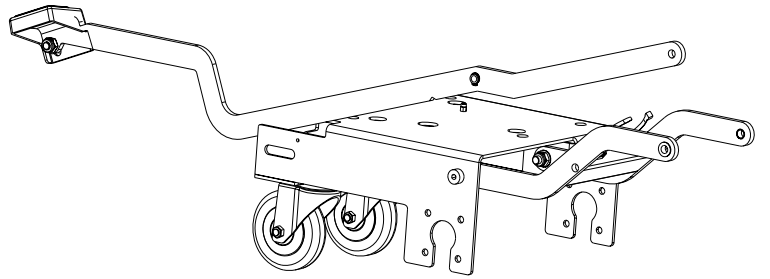
2007-06	SOLUTION TANK			
2007-09	RAZOR™ 20 - 20T			5

Item No.	Ref. No.	Qty	Description
1	909 6493 000	1	SUPPORT, PEDAL
2	909 6621 000	1	KNOB
3	9097019000	1	HANDLE BAR
4	9097020000	1	TANK SOLUTION 35 LT
5	9097105000	2	DECAL KENT
6	909 6596 000	1	GASKET
7	909 6597 000	1	GASKET
8#	L08603916	1	CLAMP 12/ 16-27
9	xxxxxxxxxx	1	WASHER 10X30X2,5 UNI6593 (SEE SOLUTION TANK HARDWARE KIT)
10	909 6892 000	1	GASKET MM 960
11#	L08812457	2	CAP, TANK LOCKING
12	56264442	1	FITTING PIPE
13	909 6633 000	1	LEVER, SQUEEGEE LIFTING
14	xxxxxxxxxx	3	WASHER M6 UNI1751B (SEE SOLUTION TANK HARDWARE KIT)
15	xxxxxxxxxx	3	WASHER 6X18 UNI6592 (SEE SOLUTION TANK HARDWARE KIT)
16	xxxxxxxxxx	2	SCREW M6X16 UNI5739 (SEE SOLUTION TANK HARDWARE KIT)
17	xxxxxxxxxx	1	CABLE, STOP-LID (SEE CABLE TANK KIT)
18	909 6649 000	1	BRACKET CONNECTOR SUPPORT
19	909 6662 000	1	CABLE, SQUEEGEE LIFTING
20	909 6236 000	1	CAP BLACK
21	909 6673 000	1	CAP BLACK BP6
22	145 8479 000	1	DOWEL M6
23	909 6680 000	1	BUSH FLANGED
24	909 6521 000	1	HOSE CLEAN WATER
25	xxxxxxxxxx	1	SCREW M5X16 UNI7687 (SEE SOLUTION TANK HARDWARE KIT)
26	33005502	1	NUT HEX M6 UNI5588
27	xxxxxxxxxx	3	WASHER M10 UNI1751B (SEE SOLUTION TANK HARDWARE KIT)
28	xxxxxxxxxx	2	NUT SELF L. M5 UNI7474 (SEE SOLUTION TANK HARDWARE KIT)
29#	L08603805	1	DECAL WARNING
30	9097211000	1	SCREW M10X30 ISO7380
31	33004345	8	SCREW M6X16 UNI5931
32	33009531	2	HINGE
33	145 0524 000	4	CLAMP
34	145 0541 000	1	CLAMP
35	33003964	2	SCREW M5X25 UNI5739
36	xxxxxxxxxx	1	WASHER M8 UNI1751B (SEE SOLUTION TANK HARDWARE KIT)
37	xxxxxxxxxx	1	SCREW M10X90 UNI5931 (SEE SOLUTION TANK HARDWARE KIT)
38	xxxxxxxxxx	1	WASHER M10 UNI6592 (SEE SOLUTION TANK HARDWARE KIT)
39	xxxxxxxxxx	1	SCREW M5X12 UNI7688 (SEE CABLE TANK KIT)
40	xxxxxxxxxx	1	SCREW M8X60 UNI5931 (SEE SOLUTION TANK HARDWARE KIT)
41	xxxxxxxxxx	2	SCREW HEX HD M10X20 SS (SEE SOLUTION TANK HARDWARE KIT)
42	xxxxxxxxxx	1	NUT SELF L. M10 UNI7473 (SEE SOLUTION TANK HARDWARE KIT)
43	9097108000	1	DECAL KENT
44	909 6337 000	6	SCREW M5X12 UNI7687
45	909 6595 000	6	HOLDER,FLAT TIE
46	33005445	4	SCREW HEX THD TO HD M8X25
47	909 6874 000	1	CABLE TANK KIT (17,39)
48#	L08300000	6	WASHER FLAT XL
49	145 8412 000	2	SCREW GRUB M8X30 UNI5929
50	146 1567 000	2	NUT HEX M8
[51]	909 6875 000	1	SOLUTION TANK HARDWARE KIT (9,14,15,16,25,27,28,36,37,38,40,41,42)



2007-06	RECOVERY TANK			
2007-09	RAZOR™ 20 - 20T			7

Item No.	Ref. No.	Qty	Description
1	9097016000	1	TANK RECOVERY 35 LT
2	909 6528 000	1	HOSE DRAIN
3	909 6230 000	1	HOSE SQUEEGEE VACUUM
4	909 6643 000	2	PLATE TANK COVER
5	909 6679 000	1	BUSH FLANGED
6#	L08239900	1	CLAMP GREY
7	xxxxxxxxxx	6	WASHER 6X18X1,5 UNI6593 (SEE HARDWARE TANK SYSTEM KIT)
8#	L08812259	2	CAGE,FLOAT CPL
9#	L08812373	1	BALL FLOATING
10#	L08603668	2	SCREW CYL HD SELFL 4X14
11#	L08812968	1	GASKET
12	145 0543 000	2	CLAMP
13	xxxxxxxxxx	2	NUT HEX M6 UNI5721 (SEE HARDWARE TANK SYSTEM KIT)
14	33005124	1	SCREW M5X12 UNI7688
15	xxxxxxxxxx	2	NUT HEX M6 SS (SEE HARDWARE TANK SYSTEM KIT)
16	xxxxxxxxxx	2	SCREW M6X40 UNI5739 (SEE HARDWARE TANK SYSTEM KIT)
17	909 6199 000	1	CAGE FLOAT
18	909 6337 000	1	SCREW M5X12 UNI7687
19	909 6268 000	1	GASKET L=1370
20	9097017000	1	COVER TANK 35 LT BLUE
21	909 6876 000	1	HARDWARE TANK SYSTEM KIT (7,13,15,16)
22	9096918000	1	GASKET, VACUUM MOTOR
23	909 6490 000	1	GASKET, VACUUM MOTOR
24	909 6491 000	1	PANEL,ACOUSTIC INSULATION
25	xxxxxxxxxx	3	PLATE VACUUM COVER (SEE HARDWARE MOTOR FIXING KIT)
26	909 6672 000	1	FILTER
27	909 6802 000	1	MOTOR VACUUM W/CONNEC.KIT
28	xxxxxxxxxx	3	SCREW M6X30 UNI5739 (SEE HARDWARE MOTOR FIXING KIT)
29	xxxxxxxxxx	3	WASHER 6X18 UNI6592 (SEE HARDWARE MOTOR FIXING KIT)
30	909 6051 000	1	COVER,VACUUM MOTOR
31	909 6442 000	1	PIPE,ACOUSTIC INSULATION
32	909 5371 000	2	CARBON BRUSH
33	909 6877 000	1	HARDWARE MOTOR FIXING KIT (25,28,29)
34	9097169000	1	GASKET VACUUM MOTOR
[35]	909 6840 000	1	HARNESS VACUUM MOTOR

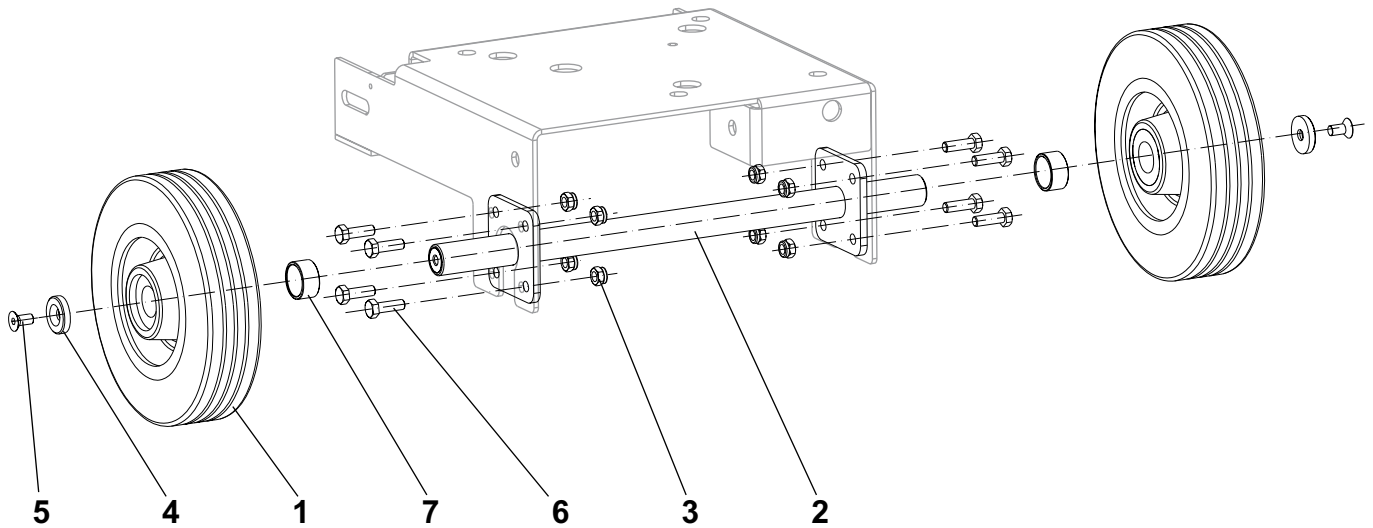


Item No.	Ref. No.	Qty	Description
1	9097024000	1	PEDAL BRUSH LIFTING
2	909 6482 000	1	CHASSIS 35 LT
3	909 6486 000	1	LEVER, BRUSH DECK LIFTING
4	909 6539 000	1	MAT,ANTISKID
5	909 6540 000	1	BUSH FLANGED
6	xxxxxxxxxx	1	SPACER 12,2X30X16,5
7	xxxxxxxxxx	2	BUSH FLANGED (SEE HARDWARE CHASSIS FIXING KIT)
8	909 6594 000	2	BUSH FLANGED (SEE HARDWARE CHASSIS FIXING KIT)
9	33006051	1	RING D 12 UNI7435
10A	9097211000	1	SCREW M10X30 ISO7380
11	xxxxxxxxxx	2	WASHER M10 UNI6592 (SEE WHEEL REAR CASTOR KIT)
12	909 6337 000	1	SCREW M5X12 UNI7687
13	xxxxxxxxxx	1	SCREW,SHOULDER M12X16 (SEE HARDWARE CHASSIS FIXING KIT)
14	145 0524 000	1	CLAMP
15	xxxxxxxxxx	2	NUT SELF L. M10 UNI7474 (SEE HARDWARE CHASSIS FIXING KIT)
16	xxxxxxxxxx	2	SCREW M10X25 UNI5931 (SEE WHEEL REAR CASTOR KIT)
17	xxxxxxxxxx	1	SCREW,SHOULDER M12X30 (SEE HARDWARE CHASSIS FIXING KIT)
18	xxxxxxxxxx	2	WASHER M12 UNI1751B (SEE HARDWARE CHASSIS FIXING KIT)
19	xxxxxxxxxx	2	NUT (SEE WHEEL REAR CASTOR KIT)
20	145 6132 000	1	INSERT M5
21	909 6595 000	1	HOLDER,FLAT TIE
22A	xxxxxxxxxx	2	WHEEL,CASTOR SS (SEE WHEEL REAR CASTOR KIT)
22B	xxxxxxxxxx	2	WHEEL,CASTOR (SEE WHEEL REAR CASTOR KIT)
23A	909 6621 000	1	KNOB
24	909 6878 000	1	CHASSIS SYSTEM HARDWARE KIT (6,7,13,15,17,18)
25A	909 6897 000	1	WHEEL REAR CASTOR SS KIT (11,16,19,22)
25B	909 6898 000	1	WHEEL REAR CASTOR KIT (11,16,19,22)

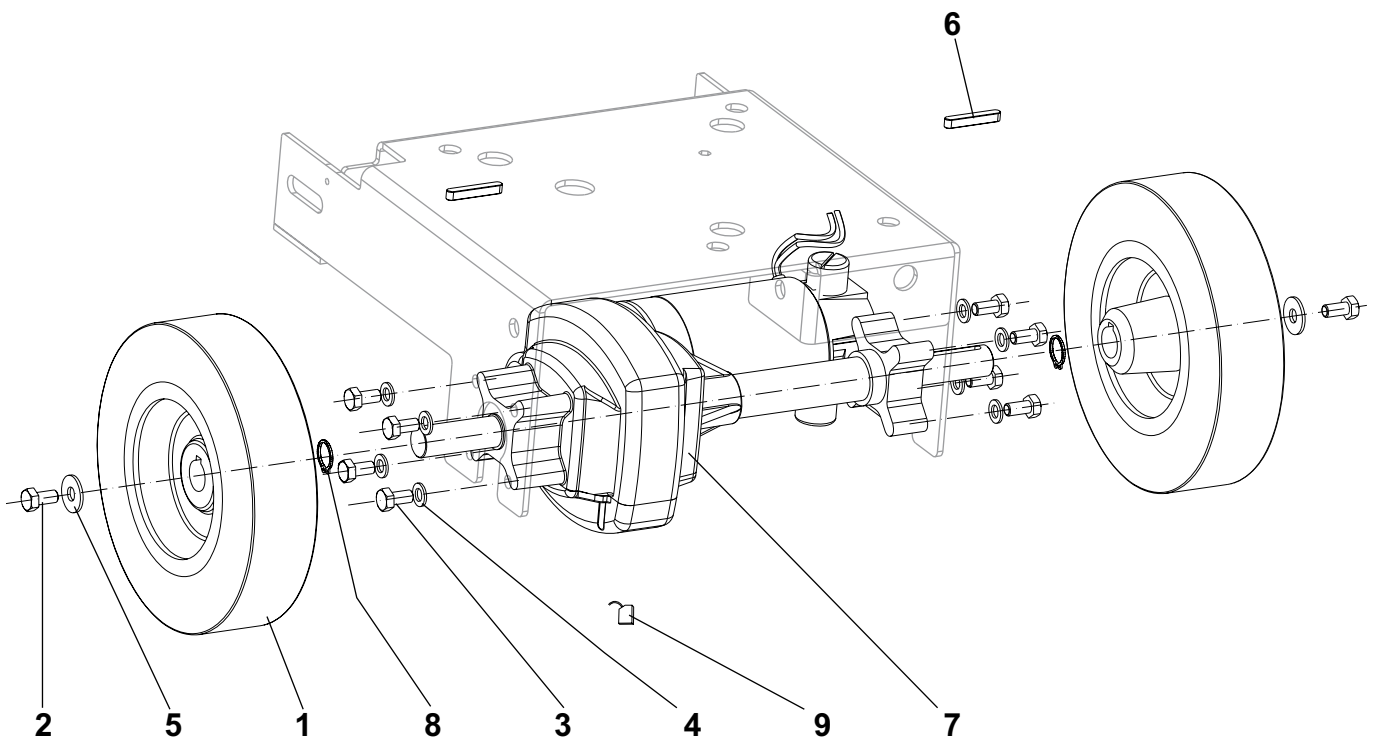
A : ONLY FOR RAZOR™ 20T

B : ONLY FOR RAZOR™ 20

WITHOUT TRACTION
(RAZOR™ 20)

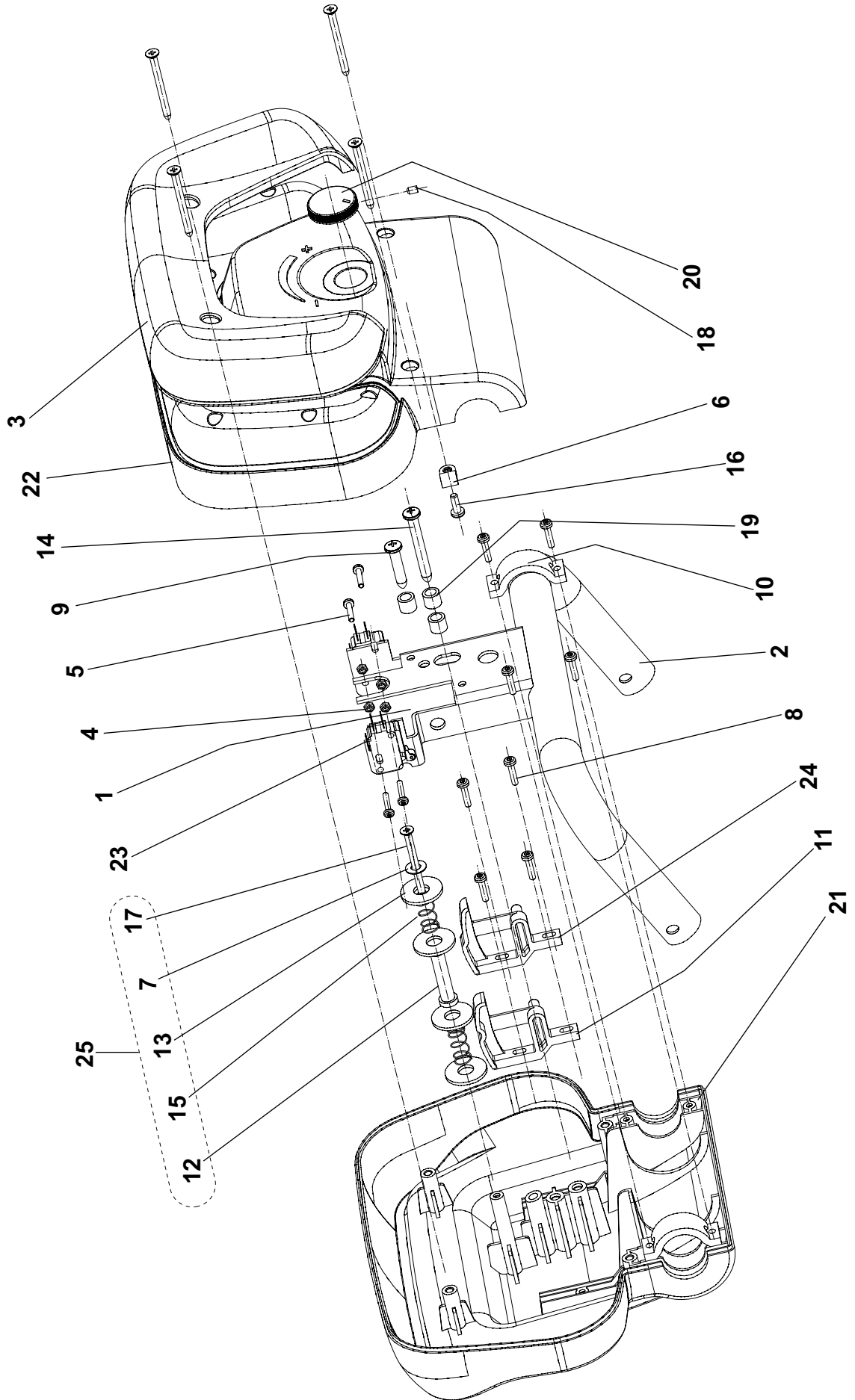


WITH TRACTION
(RAZOR™ 20T)



2007-06	WHEEL SYSTEMS		
2007-09	RAZOR™ 20 - 20T		11

Item No.	Ref. No.	Qty	Description
WITHOUT TRACTION (RAZOR™ 20)			
1	909 6507 000	2	WHEEL FRONT D.200
1*	9097167000	2	WHEEL FRONT D.200 65SH
2	909 6508 000	1	SHAFT, WHEELS
3	33005607	8	NUT SELF L. M8 UNI7474
4#	L08812392	2	BUSHING
5	33004590	2	SCREW M8X16 UNI5933
6	33005444	8	SCREW M8X20 UNI5739
7	909 6509 000	2	SPACER 25,2X30X15
WITH TRACTION (RAZOR™ 20T)			
1	909 6862 000	2	WHEEL FRONT D.200 DRIVE
1*	9097032000	2	WHEEL FRONT D.200 DRIVE 65SH
2#	L08274300	2	SCREW M8X16 UNI5739
3	33005444	8	SCREW M8X20 UNI5739
4	145 9126 000	8	WASHER
5#	L08300000	2	WASHER 8X24 UNI6592
6	146 0769 000	2	KEY 6X6X40 UNI6604A
7	909 6548 000	1	MOTOR, DRIVE 24V W 200
8	33006059	2	RING D 20 UNI7435
9	145 5124 000	2	CARBON BRUSH

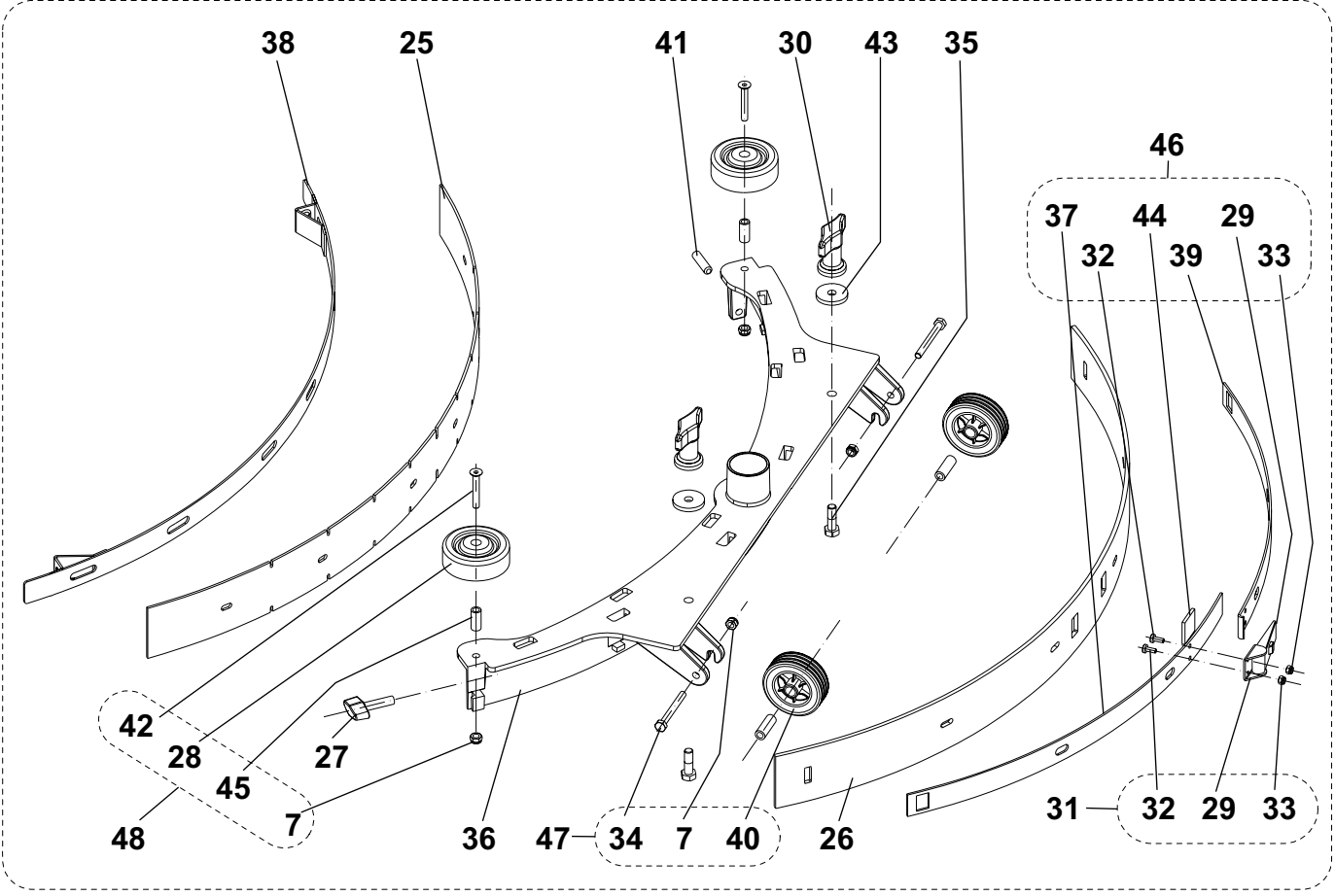
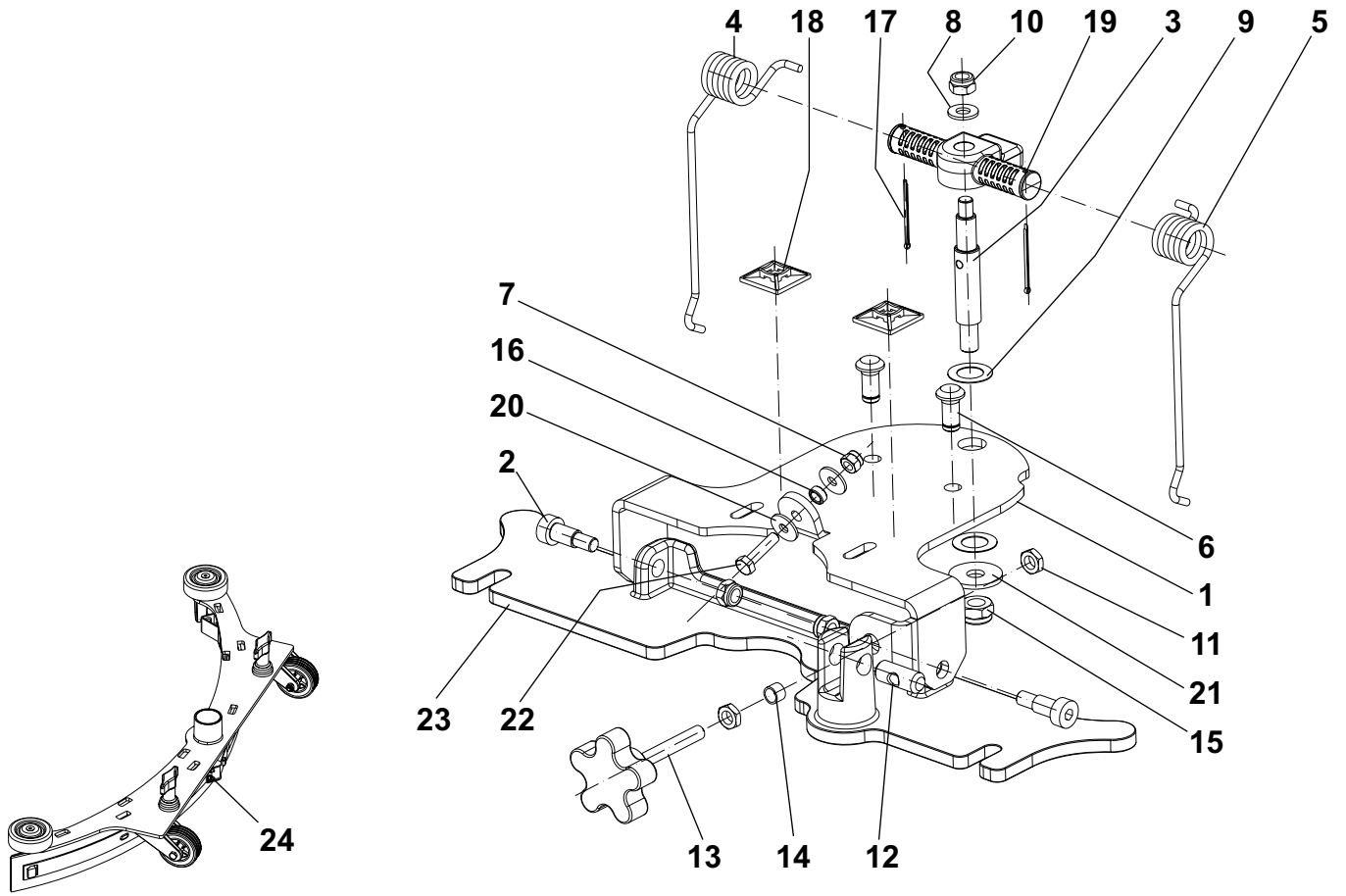


2007-06	HANDLE ASSEMBLY		
2007-09	RAZOR™ 20T		13

Item No.	Ref. No.	Qty	Description
1	9096907000	1	HANDLE HARNESS
2	909 6653 000	1	HANDLE BAR
3	909 6239 000	1	RUBBER COVER
4	33005499	4	NUT HEX M3
5#	L08093600	4	SCREW CYL HD 3X16
6#	L08239900	1	CLAMP
7	xxxxxxx	1	WASHER FLAT 6X12,5 (SEE HARDWARE HANDLE FIXING KIT)
8#	L08603192	8	SCREW CYL HD THD FORM 3,6X16
9#	L08603377	1	SCREW M6.3X25 SS
10#	L08812279	2	CLAMP
11#	L08812282	1	CAM HANDLE MICROSWITCH
12	xxxxxxx	1	SPACER (SEE HARDWARE HANDLE FIXING KIT)
13	xxxxxxx	4	WASHER FLAT NYLON 9X25 (SEE HARDWARE HANDLE FIXING KIT)
14#	L08812341	1	SCREW 6X50 THD FORM
15	xxxxxxx	2	DRIVE CONTROL SPRING (SEE HARDWARE HANDLE FIXING KIT)
16#	L08812346	1	SCREW 4,2X12 THD FORMING
17	xxxxxxx	5	SCREW 4,2X50 THD FORM (SEE HARDWARE HANDLE FIXING KIT)
18	146 0621 000	1	DOWEL
19	145 1330 000	3	SPACER
20	909 6471 000	1	POTENTIOMETER KNOB
21	909 6237 000	1	SWITCH HOUSING REAR
22	909 6238 000	1	SWITCH HOUSING FRONT
23	909 6677 000	2	MICROSWITCH
24	9096923000	1	CAM HANDLE MICROSWITCH
25	909 6881 000	1	HARDWARE HANDLE FIXING KIT (7,12,13,15,17)
[26]	909 6544 000	1	HARNES POTENTIOMETER

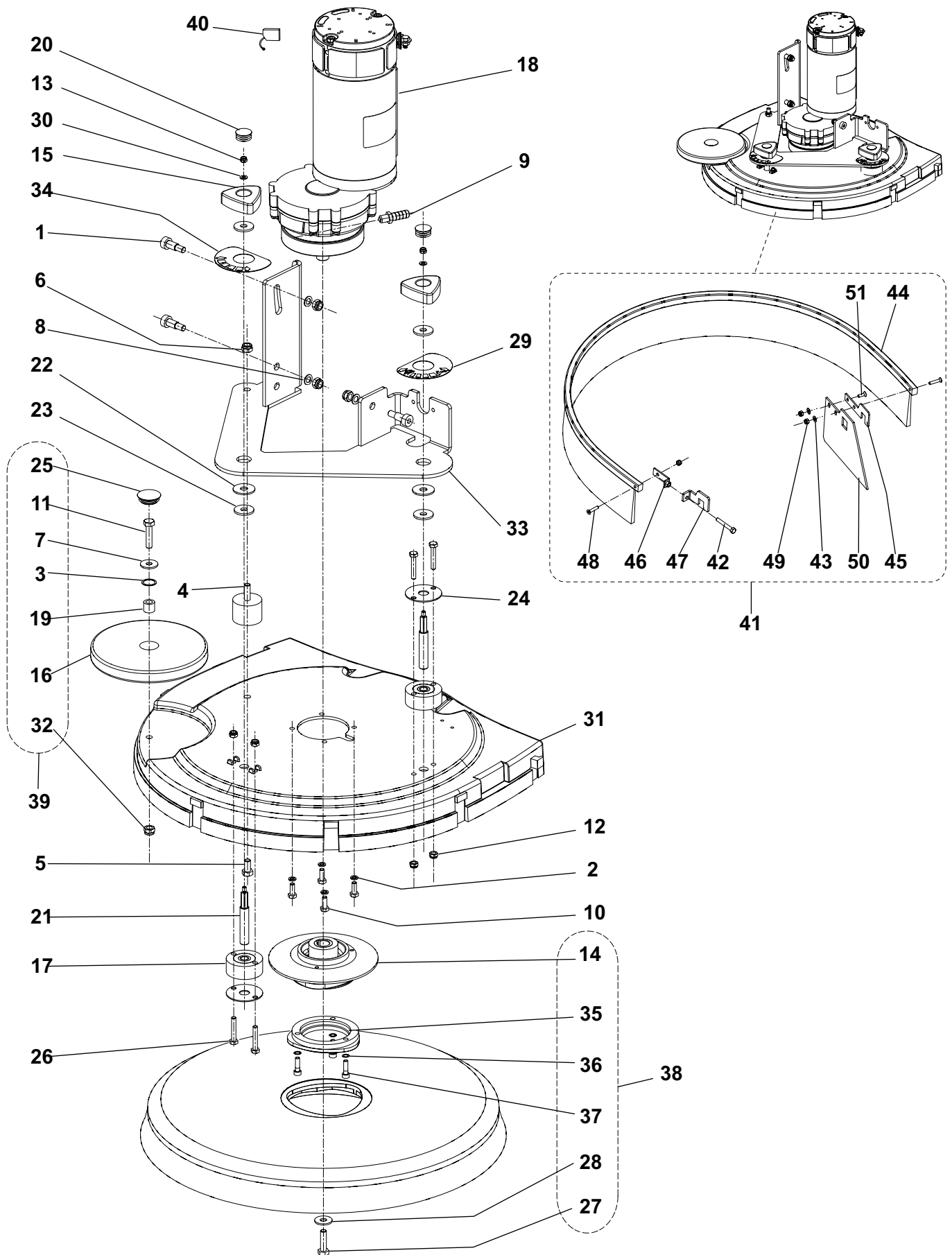
2007-06	SOLUTION SYSTEM			
2007-09	RAZOR™ 20 - 20T			15

Item No.	Ref. No.	Qty	Description
1*	9096916000	1	FILTER SOLUTION TANK
2	9097170000	1	PIPES SOLENOID VALVE KIT (13,14,15)
3#	L08603893	1	KIT NET FILTER WITH GASKET
4	909 6555 000	1	SOLENOID VALVE 24V
5	909 6636 000	1	HOLDER RUBBER 1/2 FEMALE
6	909 6637 000	1	HOLDER RUBBER 90. D.10
7#	L08200800	2	WASHER M4 UNI6592
8#	L08603685	2	NUT SELF L. M4 UNI7474
9	145 8582 000	5	CLAMP
10	146 0497 000	2	SCREW M4X16 UNI5739
11	9096994000	1	VALVE ELBOW
12	9097166000	1	FILTER KIT CPL
13	xxxxxxxxxx	1	HOSE D.10 (SEE PIPES SOLENOID VALVE KIT)
14	xxxxxxxxxx	1	HOSE D.10 (SEE PIPES SOLENOID VALVE KIT)
15	xxxxxxxxxx	1	HOSE D.10 (SEE PIPES SOLENOID VALVE KIT)



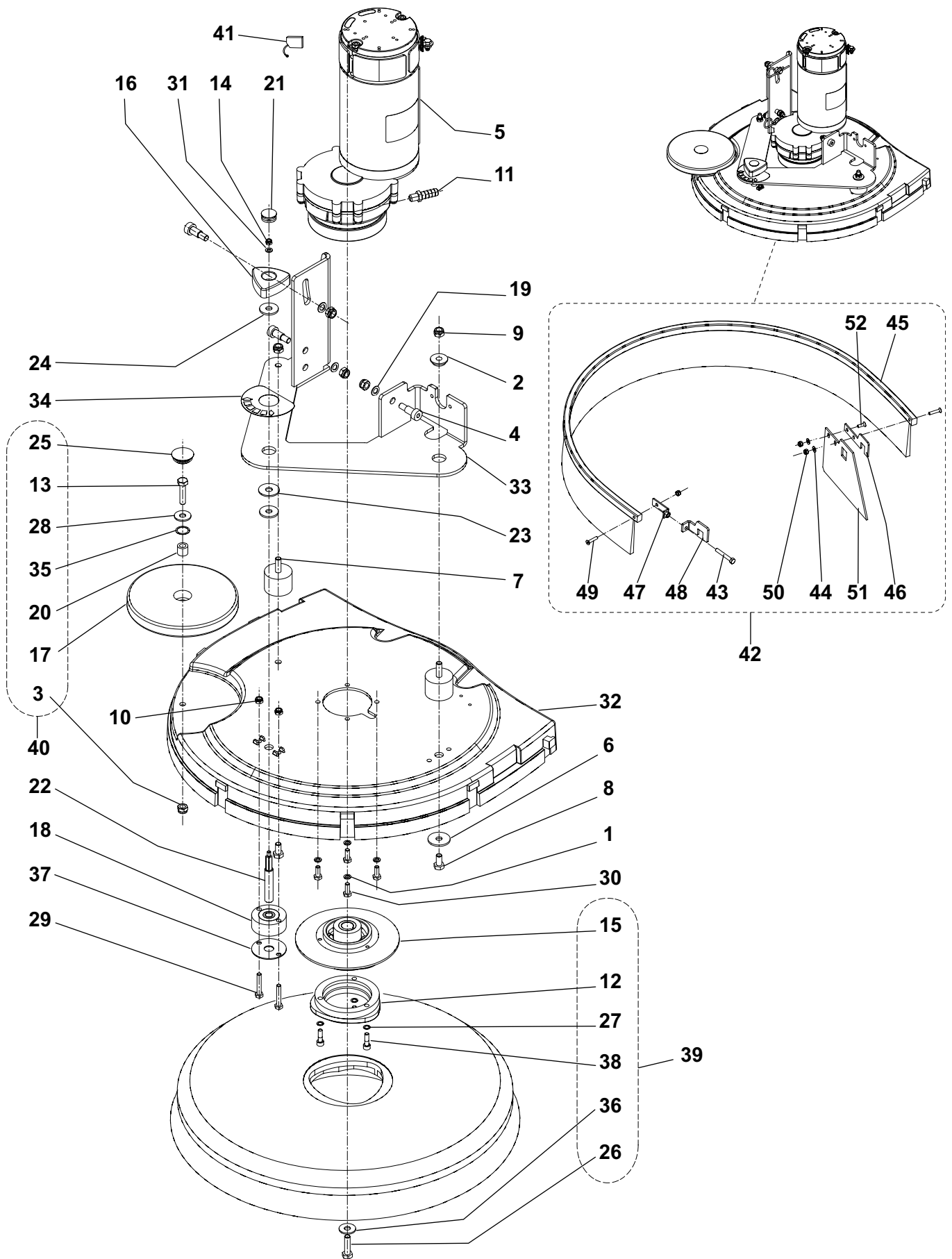
2007-06	SQUEEGEE SYSTEM			
2007-09	RAZOR™ 20 - 20T			17

Item No.	Ref. No.	Qty	Description
1	909 6494 000	1	BRACKET SQUEEGEE SUP.
2	xxxxxxxxxx	2	SCREW,SHOULDER M10X16 (SEE SQUEEGEE SUPPORT HARDWARE KIT)
3	909 6497 000	1	PIN SQUEEGEE
4	909 6537 000	1	SPRING SQUEEGEE PUSHING
5	909 6538 000	1	SPRING,SQUEEGEE PUSHING
6	909 6543 000	2	PIN SQUEEGEE FIXING
7	xxxxxxxxxx	5	NUT SELF L. M6 UNI7474 (SEE SQUEEGEE SUPPORT HARDWARE KIT)
8	33005915	1	WASHER M8 UNI6592
9#	L08238300	2	WASHER 15X25 UNI6592
10	33005607	3	NUT SELF L. M8 UNI7474
11	xxxxxxxxxx	2	NUT HEX M8 UNI5589 (SEE SQUEEGEE SUPPORT HARDWARE KIT)
12	xxxxxxxxxx	1	PIN SUPPORT (SEE SQUEEGEE SUPPORT HARDWARE KIT)
13	xxxxxxxxxx	1	HANDWHEEL M8X55 (SEE SQUEEGEE SUPPORT HARDWARE KIT)
14	xxxxxxxxxx	1	SPACER 8X10X7 (SEE SQUEEGEE SUPPORT HARDWARE KIT)
15	33005608	1	NUT SELF L. M10 UNI7474
16	xxxxxxxxxx	1	SPACER 6.5X10X4.5 (SEE SQUEEGEE SUPPORT HARDWARE KIT)
17	33005758	2	PIN SPLIT 2x32 UNI1336
18	909 6635 000	2	HOLDER,FLAT TIE
19	909 6052 000	1	SUPPORT SQUEEGEE SPRING
20	xxxxxxxxxx	2	WASHER 6X18X1,5 UNI6593 (SEE SQUEEGEE SUPPORT HARDWARE KIT)
21#	L08604251	1	WASHER 10X30 UNI6592
22	xxxxxxxxxx	1	SCREW M6X25 UNI5739 (SEE SQUEEGEE SUPPORT HARDWARE KIT)
23	909 6045 000	1	SUPPORT SQUEEGEE
24	909 6851 000	1	SQUEEGEE KIT COMPLETE
25	909 6483 000	1	BLADE FRONT
26	909 6484 000	1	BLADE REAR
27	909 6551 000	1	KNOB M8X30 SS
28	xxxxxxxxxx	2	ROLLER BUMPER (SEE ROLLER BUMPER SQ.KIT)
29	xxxxxxxxxx	1	LATCH SQUEEGEE (SEE HARDWARE SQ.BLADE FIX.KIT)
30#	L08603675	2	NUT THUMB,SQUEEGEE FIXING
31	909 6394 000	1	LATCH SQUEEGEE KIT (29,32,33)
32	xxxxxxxxxx	2	SCREW M4X10 UNI7687 (SEE HARDWARE SQ.BLADE FIX.KIT)
33	xxxxxxxxxx	2	NUT SELF L. M4 UNI7474 (SEE HARDWARE SQ.BLADE FIX.KIT)
34	909 6599 000	2	SCREW M6X55 UNI5739 (SEE WHEEL SQUEEGEE KIT)
35	909 5953 000	2	SCREW 5/16"X1" UNC
36	909 6044 000	1	WELDMENT SQUEEGEE
37	xxxxxxxxxx	1	STRAP SQUEEGEE LEFT REAR (SEE HARDWARE SQ.BLADE FIX.KIT)
38	909 6055 000	1	STRAP SQUEEGEE FRONT
39	xxxxxxxxxx	1	STRAP SQUEEGEE RIGHT REAR (SEE HARDWARE SQ.BLADE FIX.KIT)
40	xxxxxxxxxx	2	WHEEL D.60,SQUEEGEE (SEE WHEEL SQUEEGEE KIT)
41	909 6600 000	1	SCREW GRUB M8X30 UNI5929
42	xxxxxxxxxx	2	SCREW M6X40 UNI5933 (SEE ROLLER BUMPER SQ.KIT)
43	909 6682 000	2	WASHER,RUBBER
44	xxxxxxxxxx	1	SPACER, RUBBER (SEE HARDWARE SQ.BLADE FIX.KIT)
45	xxxxxxxxxx	2	SPACER 6,3X9,5X21 (SEE ROLLER BUMPER SQ.KIT)
46	909 6882 000	1	HARDWARE SQ.BLADE FIX.KIT (29,32,33,37,39,44)
47	909 6883 000	1	WHEEL SQUEEGEE KIT (7,34,40)
48	909 6884 000	1	ROLLER BUMPER SQ.KIT (7,28,42,45)
[49]	909 6885 000	1	SQUEEGEE SUPPORT HARDWARE KIT (2,7,11,12,13,14,16,20,22)



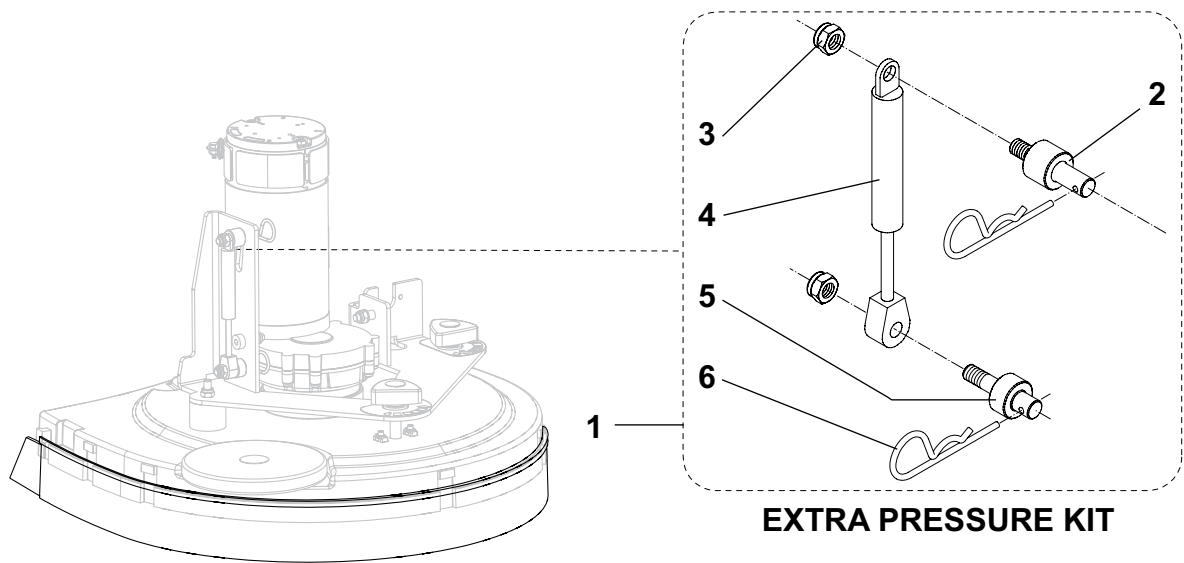
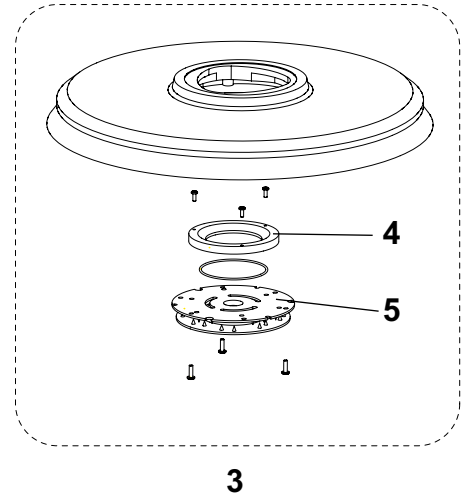
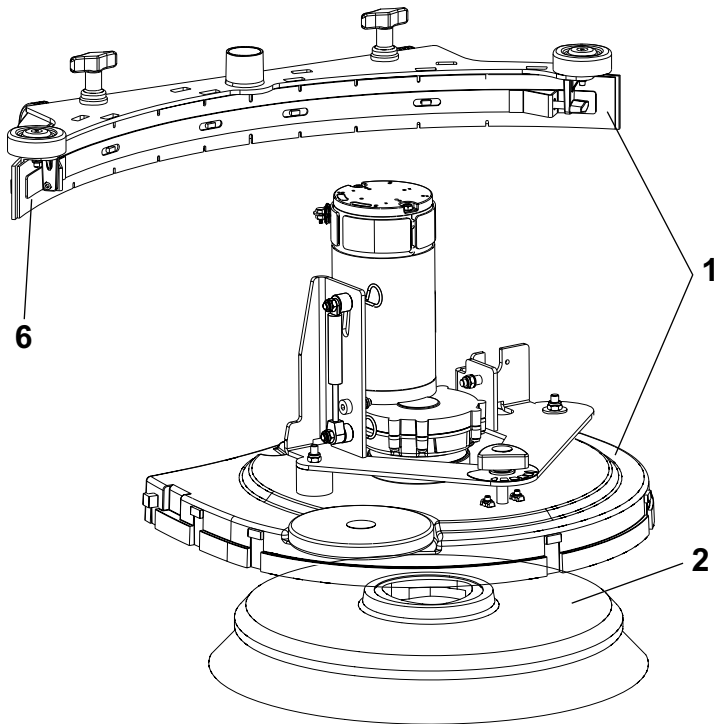
2007-06	BRUSH SYSTEM			
2007-09	RAZOR™ 20			19

Item No.	Ref. No.	Qty	Description
1	909 6495 000	3	SHOULDER BOLT M10X16
2	145 0252 000	4	WASHER SS
3	xxxxxxx	1	SPRING WASHER (SEE ROLLER BUMPER KIT)
4	9097184000	1	VIBRATION DAMPING M8
5	xxx xxxx xxx	1	SCREW HEX HD M8X12 SS (SEE HARDWARE BRUSH DECK KIT)
6	xxxxxxx	4	NUT SELFLOCKING M8 (SEE HARDWARE BRUSH DECK KIT)
7	xxxxxxx	1	WASHER 8X24 (SEE ROLLER BUMPER KIT)
8	33005916	3	WASHER FLAT 10
9#	L08601624	1	PIPE HOLDER
10	145 9959 000	4	SCREW HEX HD M6X16 SS
11	xxxxxxx	1	SCREW HEX HD M8X30 SS (SEE ROLLER BUMPER KIT)
12	xxxxxxx	4	NUT HEX. SELFLOCK. M6 SS (SEE HARDWARE BRUSH DECK KIT)
13	xxxxxxx	2	NUT HEX. LOW SELF LOCK. M5 SS (SEE HARDWARE BRUSH DECK KIT)
14	xxxxxxx	1	BRUSH HUB (SEE HOLDERPOLYG.W/FLAGE KIT)
15	xxxxxxx	2	KNOB (SEE HARDWARE BRUSH DECK KIT)
16	xxxxxxx	1	BUMPER ROLLER (SEE ROLLER BUMPER KIT)
17	xxxxxxx	2	SPACER (SEE HARDWARE BRUSH DECK KIT)
18	909 6546 000	1	REDUCTION GEARMOTOR CPL.
19	xxxxxxx	1	SPACER (SEE ROLLER BUMPER KIT)
20	xxxxxxx	2	CAP FOR KNOB (SEE HARDWARE BRUSH DECK KIT)
21	xxxxxxx	2	DOWEL BRUSH PLATE FIXING (SEE HARDWARE BRUSH DECK KIT)
22	xxxxxxx	2	WASHER RUBBER 10X30X2 (SEE HARDWARE BRUSH DECK KIT)
23	xxxxxxx	4	WASHER FLAT 9X27 (SEE HARDWARE BRUSH DECK KIT)
24	xxxxxxx	2	VIBRATION DAMPING PLATE (SEE HARDWARE BRUSH DECK KIT)
25	xxxxxxx	1	CAP, BUMPER ROLLER (SEE ROLLER BUMPER KIT)
26	xxx xxxx xxx	4	SCREW HEX HD M6X35 SS (SEE HARDWARE BRUSH DECK KIT)
27	xxx xxxx xxx	1	SCREW HEX HD M6X20 SS (SEE HOLDERPOLYG.W/FLAGE KIT)
28	xxx xxxx xxx	1	WASHER FLAT 6X24 SS (SEE HOLDERPOLYG.W/FLAGE KIT)
29	909 6533 000	1	DECAL BRUSH ADJUSTING
30	xxx xxxx xxx	2	WASHER FLAT 5X10 (SEE HARDWARE BRUSH DECK KIT)
31	909 6042 000	1	BRUSH DECK 530
32	xxx xxxx xxx	1	NUT HEX SELFLOCK M8 SS (SEE ROLLER BUMPER KIT)
33	909 6485 000	1	PLATE, DECK BRUSH OLDER
34	909 6532 000	1	DECAL BRUSH ADJUSTING
35	xxxxxxx	1	BRUSH HUB (SEE HOLDERPOLYG.W/FLAGE KIT)
36	xxxxxxx	1	WASHER M6 (SEE HOLDERPOLYG.W/FLAGE KIT)
37	xxx xxxx xxx	1	SCREW M6X20 SS (SEE HOLDERPOLYG.W/FLAGE KIT)
38	9097093000	1	HOLDERPOLYG.W/FLAGE KIT (14,27,28,35,36,37)
39	909 6887 000	1	ROLLER BUMPER KIT (3,7,11,16,19,25,32)
40	909 5380 000	1	CARBON BRUSH (4 PCS)
41	909 6736 000	1	SPLASH GUARD 20" KIT
42	xxxxxxxxx	1	SCREW M5X30 UNI5739 INOX
43	xxxxxxxxx	2	WASHER FLAT 4X12
44	xxxxxxxxx	1	SPLASH GUARD
45	xxxxxxxxx	1	BRACKET FIXING SPLASH GUARD
46	xxxxxxxxx	1	BRACKET FIXING SPLASH GUARD
47	xxxxxxxxx	1	BRACKET FIXING SPLASH GUARD
48	xxxxxxxxx	2	SCREW M4X20
49	xxxxxxxxx	3	NUT SELF LOCKING M4
50	xxxxxxxxx	1	RUBBER SPLASH GUARD
51	xxxxxxxxx	1	SCREW M4X12
[52]	909 6745 000	1	INSTALLATION INSTRUCTIONS FOR SPLASH GUARD KIT
[53]	909 6888 000	1	HARDWARE BRUSH DECK KIT (5,6,12,13,15,17,20,21,22,23,24,26,30)



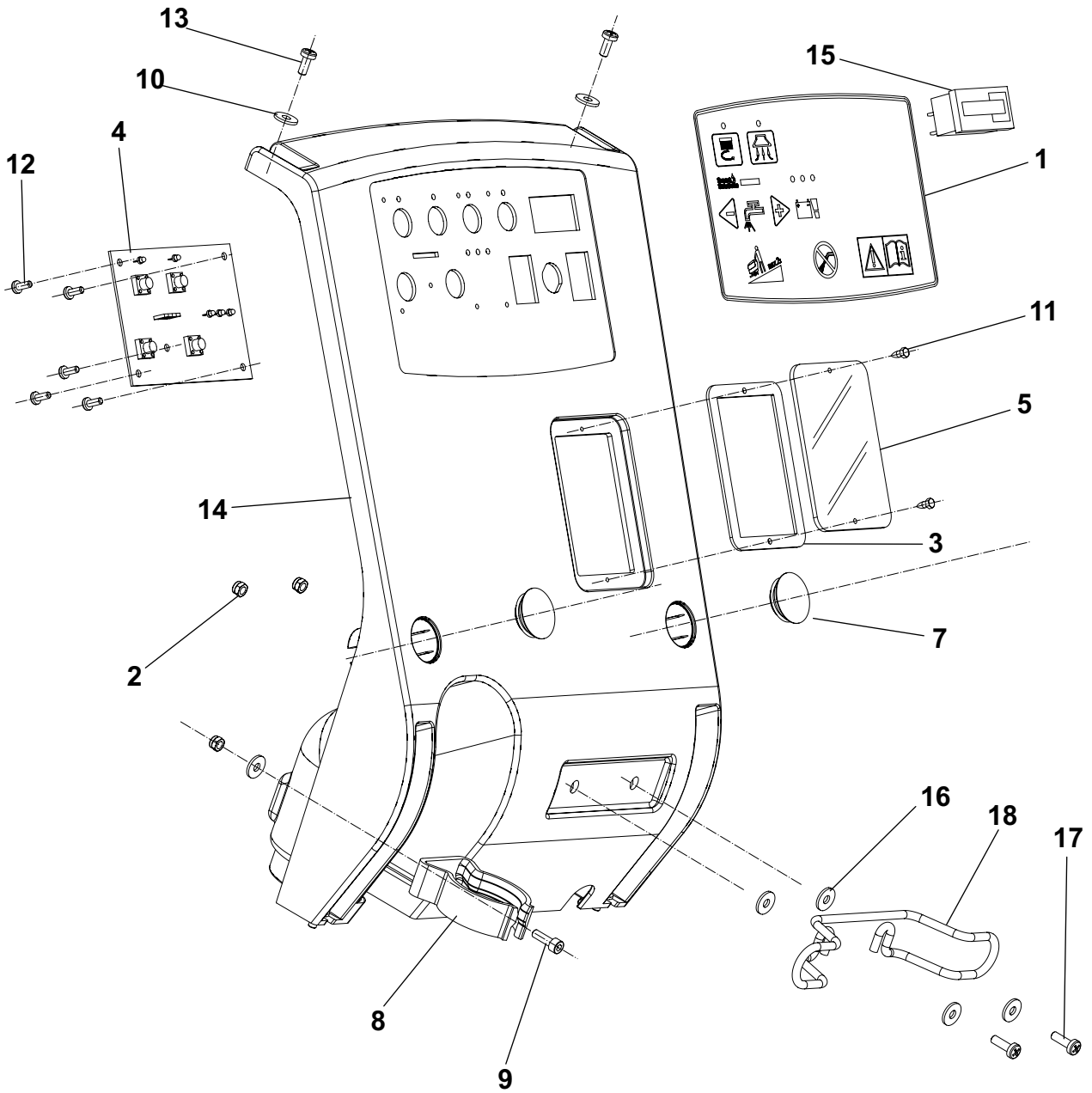
100 = parts numbers from 1 to 41

Item No.	Ref. No.	Qty	Description
100	909 6853 000	1	BRUSH DECK KIT
1	145 0252 000	4	WASHER SS
2	909 6513 000	1	BUSHING
3	xxx xxxx xxx	1	NUT HEX SELFLOCK M8 SS (SEE BUMPER ROLLER KIT)
4	909 6495 000	3	SHOULDER BOLT M10X16
5	909 6546 000	1	REDUCTION GEAR MOTOR CPL
6	145 0494 000	1	WASHER FLAT 8X32 SS
7	9097184000	2	VIBRATION DAMPING M8
8	xxx xxxx xxx	2	SCREW HEX HD M8X12 SS (SEE BRUSH SYSTEM HARDWARE KIT)
9	xxxxxxxx	5	NUT SELFLOCKING M8 (SEE BRUSH SYSTEM HARDWARE KIT)
10	33005604	2	NUT HEX SELFLOCKING M6
11#	L08601624	1	PIPE HOLDER
12	xxxxxxxx	1	BRUSH HUB (SEE HOLDERPOLYG.W/FLAGE KIT)
13	xxxxxxxx	1	SCREW HEX HD M8X30 SS (SEE BUMPER ROLLER KIT)
14	xxxxxxxx	1	NUT HEX. LOW SELF LOCK. M5 SS (SEE BRUSH SYSTEM HARDWARE KIT)
15	xxxxxxxx	1	HUB, BRUSH R. MOTOR (SEE HOLDER POLYG.W/FLAGE KIT)
16	xxxxxxxx	1	KNOB (SEE BRUSH SYSTEM HARDWARE KIT)
17	xxxxxxxx	1	BUMPER ROLLER (SEE BUMPER ROLLER KIT)
18	xxxxxxxx	1	SPACER (SEE BRUSH SYSTEM HARDWARE KIT)
19	33005916	3	WASHER FLAT 10
20	xxxxxxxx	1	SPACER (SEE BUMPER ROLLER KIT)
21	xxxxxxxx	1	CAP FOR KNOB (SEE BRUSH SYSTEM HARDWARE KIT)
22	xxxxxxxx	1	PIN PLATE FIXING (SEE BRUSH SYSTEM HARDWARE KIT)
23	xxxxxxxx	1	WASHER RUBBER 10X30X2 (SEE BRUSH SYSTEM HARDWARE KIT)
24	xxxxxxxx	2	WASHER FLAT 9X27 (SEE BRUSH SYSTEM HARDWARE KIT)
25	xxxxxxxx	1	CAP, BUMPER ROLLER (SEE BUMPER ROLLER KIT)
26	xxx xxxx xxx	1	SCREW HEX HD M6X20 SS (SEE HOLDERPOLYG.W/FLAGE KIT)
27	xxxxxxxx	3	WASHER M6 (SEE HOLDERPOLYG.W/FLAGE KIT)
28	xxxxxxxx	1	WASHER FLAT 8X24 (SEE BUMPER ROLLER KIT)
29	xxx xxxx xxx	2	SCREW HEX HD M6X35 SS (SEE BRUSH SYSTEM HARDWARE KIT)
30	145 9959 000	4	SCREW HEX HD M6X16 SS
31	xxx xxxx xxx	1	WASHER FLAT 5X10 SS (SEE BRUSH SYSTEM HARDWARE KIT)
32	909 6042 000	1	DECK BRUSH
33	909 6485 000	1	PLATE, DECK BRUSH HOLDER
34	909 6532 000	1	DECAL BRUSH ADJUSTING
35	xxxxxxxx	1	SPRING WASHER (SEE BUMPER ROLLER KIT)
36	xxx xxxx xxx	1	WASHER FLAT 6X24 SS (SEE HOLDERPOLYG.W/FLAGE KIT)
37	xxxxxxxx	1	VIBRATION DAMPING PLATE (SEE BRUSH SYSTEM HARDWARE KIT)
38	xxx xxxx xxx	1	SCREW M6X20 SS (SEE HOLDERPOLYG.W/FLAGE KIT)
39	9097093000	1	HOLDER POLYG.W/FLAGE KIT (12,15,26,27,36,38)
40	909 6887 000	1	ROLLER BUMPER KIT (3,13,17,20,25,28,35)
41	909 5380 000	1	CARBON BRUSH KIT
42	909 6736 000	1	SPLASH GUARD 20" KIT
43	xxxxxxxxxxx	1	SCREW M5X30 UNI5739 INOX
44	xxxxxxxxxxx	2	WASHER FLAT 4X12
45	xxxxxxxxxxx	1	SPLASH GUARD
46	xxxxxxxxxxx	1	BRACKET FIXING SPLASH GUARD
47	xxxxxxxxxxx	1	BRACKET FIXING SPLASH GUARD
48	xxxxxxxxxxx	1	BRACKET FIXING SPLASH GUARD
49	xxxxxxxxxxx	2	SCREW M4X20
50	xxxxxxxxxxx	3	NUT SELF LOCKING M4
51	xxxxxxxxxxx	1	RUBBER SPLASH GUARD
52	xxxxxxxxxxx	1	SCREW M4X12
[53]	909 6745 000	1	INSTALLATION INSTRUCTIONS FOR SPLASH GUARD KIT
[54]	909 6888 000	1	HARDWARE BRUSH DECK KIT (8,9,14,16,18,21,22,23,24,29,31,37)



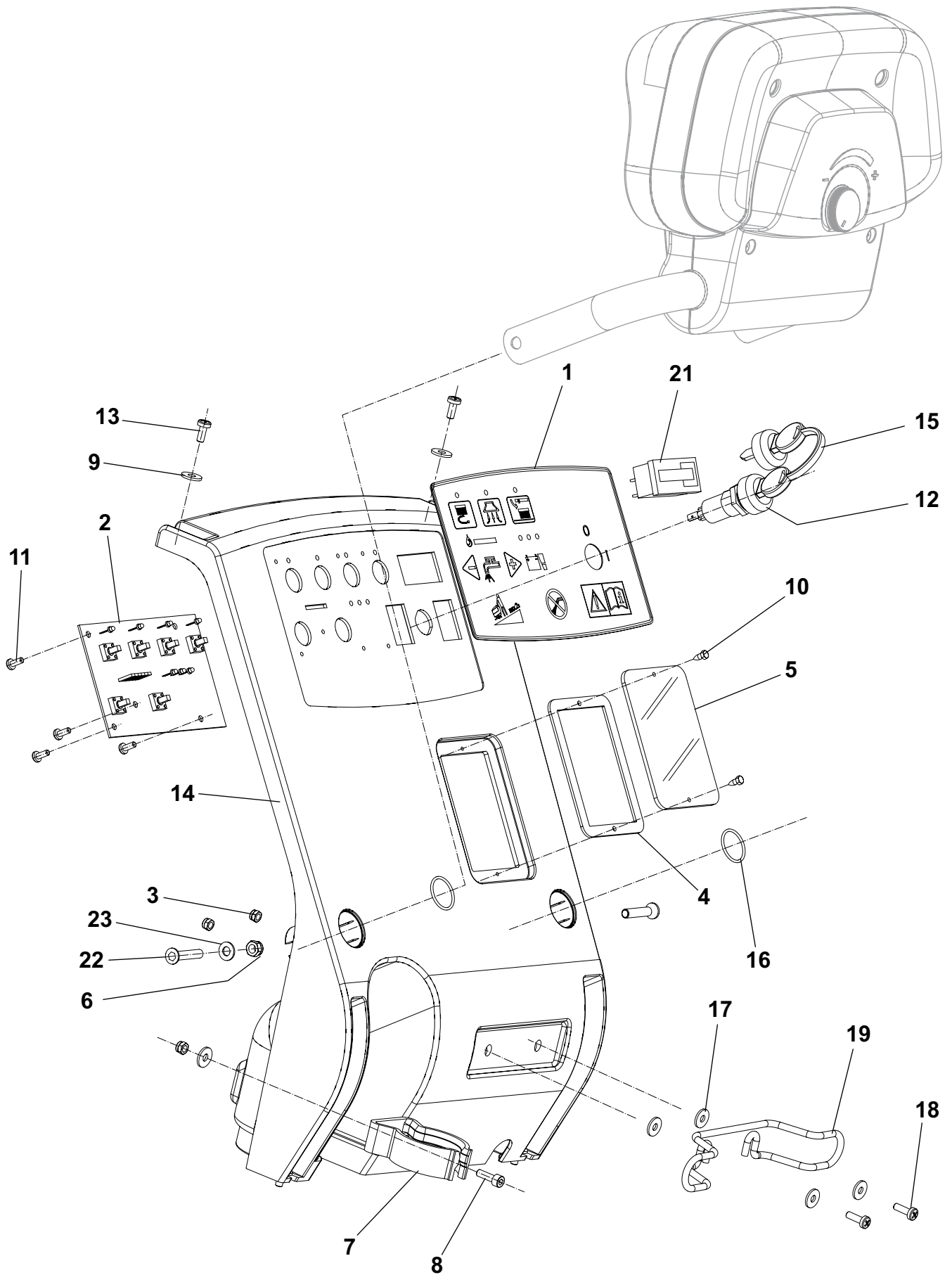
2007-06	ACCESSORIES			
2007-09	RAZOR™ 20 - 20T			23

Item Bild Rép Pos	Ref. No. Art. Nr. Réf. No Codice	Qty Menge Qté Q.tà	Description
			RAZOR™ 20T
1*	909 6848 000	1	DISC SCRUB DECK KIT COMPLETE WITH SQUEEGEE
			RAZOR™ 20 - RAZOR™ 20T
2*#	L08837025	1	BRUSH PROLENE 530MM
2*#	L08837026	1	BRUSH PROLITE 530MM
2*#	L08837027	1	BRUSH UNION MIX 530MM
2*#	L08837028	1	BRUSH MIDLITE GRIT 530MM
2*#	L08837029	1	BRUSH MID GRIT 240 530MM
2*#	L08837065	1	BRUSH MAGNA GRIT 46 530MM
2*#	L08837066	1	BRUSH DYNA GRIT 80 530MM
2*#	L08837067	1	BRUSH AGLITE GRIT 500 530MM
3#	L08837018	1	PAD HOLDER 530MM
4#	L08603966	1	RING NYLON
5#	L08837030	1	RETAINER PAD
			RAZOR™ 20 - RAZOR™ 20T
6*#	L08603878	1	SQUEEGEE KIT
6	909 6851 000	1	SQUEEGEE KIT ALUMINIUM
			SQUEEGEE BLADES
[7]	909 6483 000	1	BLADE NEOPRENE FRONT
[8]	909 6484 000	1	BLADE NEOPRENE REAR
[9]*	909 6860 000	1	BLADES NEOPRENE KIT 30"
[10]*	909 6858 000	1	BLADES POLYURET. KIT 30"
			EXTRA PRESSURE KIT
1*	9097185000	1	EXTRA PRESSURE KIT
2	xxxxxxxxxx	1	PIN UPPER
3	xxxxxxxxxx	2	NUT SELFLOCKING M8
4	xxxxxxxxxx	1	SPRING GAS 100N
5	xxxxxxxxxx	1	PIN LOWER
6	xxxxxxxxxx	2	SPLIT PIN 3
[7]	xxxxxxxxxx	1	KNOB
[8]	xxxxxxxxxx	1	SCREW HEX HD M10X30
[9]	xxxxxxxxxx	2	WASHER 10,2X18,8X0,35
[10]	xxxxxxxxxx	1	DECAL EXTRA PRESSURE
[11]	909 6759 000	1	INSTALLATION INSTRUCTIONS FOR EXTRA PRESSURE KIT



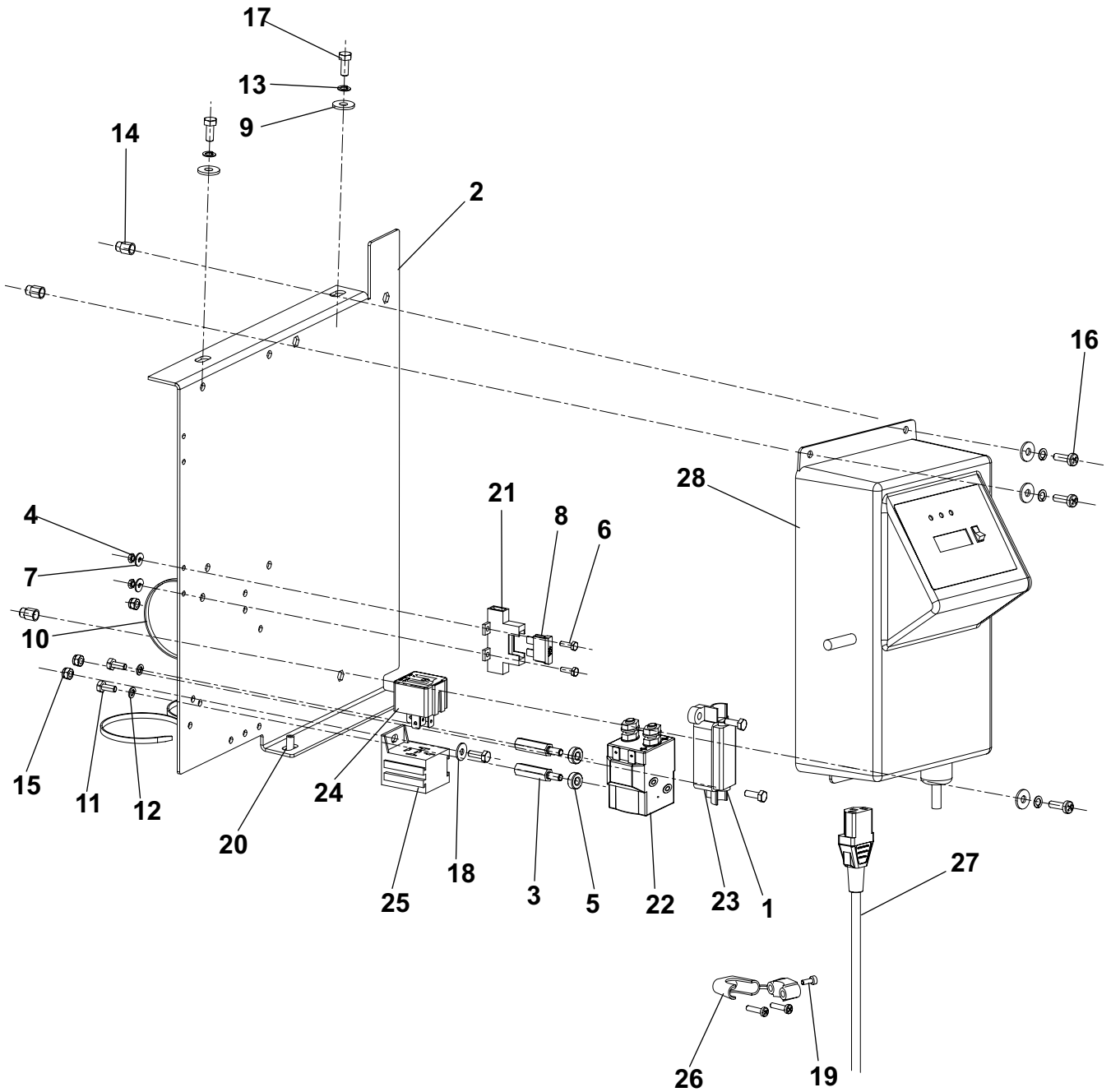
2007-06	CONTROL PANEL SYSTEM			
2007-09	RAZOR™ 20			25

Item No.	Ref. No.	Qty	Description
1	909 6099 000	1	DECAL CONTROL PANEL KENT RAZOR™ 20
2	33005603	3	NUT HEX SELF LOCK M5
3	909 6545 000	1	GASKET
4	9097006000	1	ELECTRONIC CARD
5	909 5313 000	1	INSPECTION PLATE
[6]	145 8368 000	1	FUSE 3A
7#	L08812365	2	CAP, TANK LOCKING
8#	L08812967	1	CLAMP Ø50 SS
9	33004124	1	SCREW SOCKET HD M5X16 SS
10	145 8280 000	5	WASHER FLAT 5X15 SS
11	145 9211 000	2	SCREW
12	146 0783 000	5	SCREW PAN HD 4X10 THD
13	909 5009 000	4	SCREW M5X12 SS
14	909 6053 000	1	ELECTRIC COMPONENTS COVER
15*	9096951000	1	COUNTER HOUR 24V KIT
16	145 1261 000	4	WASHER
17	146 2090 000	2	SCREW CYL HD M5X16
18	909 5149 000	1	SUPPORT BATTERY CHARGER CABLE
[19]*	9096952000	1	INSTRUCTIONS FOR COUNTER HOUR KIT



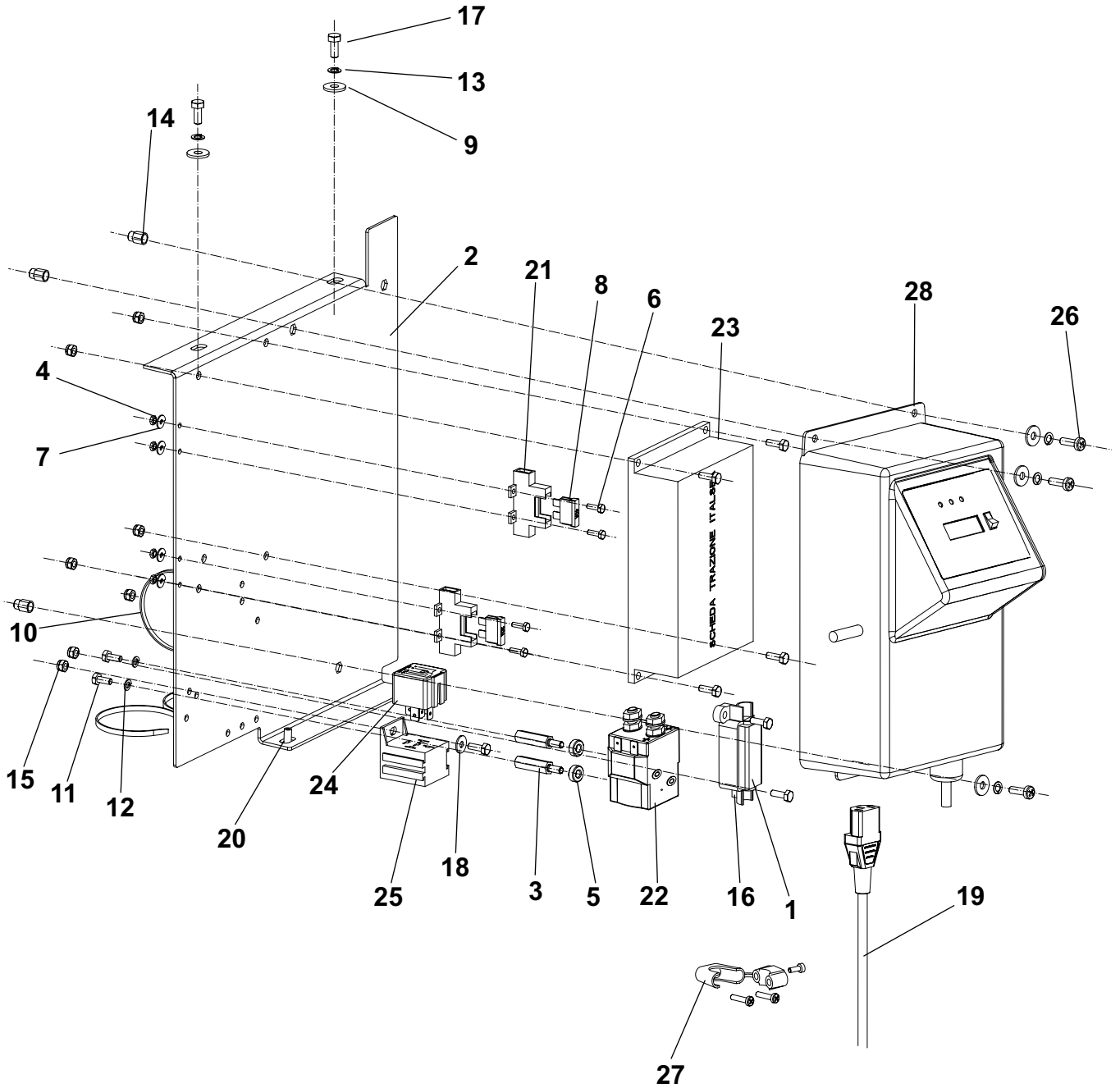
2007-06	CONTROL PANEL SYSTEM		
2007-09	RAZOR™ 20T		27

Item No.	Ref. No.	Qty	Description
1	9097029000	1	DECAL CONTROL PANEL KENT RAZOR™ 20
2	9097007000	1	CARD ELECTRONIC CONTROL PANEL
3	33005603	3	NUT HEX SELF LOCK M5
4	909 6545 000	1	GASKET
5	909 5313 000	1	INSPECTION PLATE
6	33005604	2	NUT SELF L. M6 UNI7474
7#	L08812967	1	CLAMP, HOSE DIAM. 50MM
8	33004124	1	SCREW SOCKET HD M5X16 SS
9	145 8280 000	5	WASHER FLAT 5X15 SS
10	145 9211 000	2	SCREW
11	146 0783 000	5	SCREW PAN HD 4X10 THD
12	146 2888 000	1	SWITCH KEY WITH CAP
13	909 5009 000	4	SCREW OVAL HD M5X12 SS
14	909 6053 000	1	ELECTRIC COMPONENTS COVER
15	146 2887 000	1	KEY
16	909 6675 000	2	O-RING 132
17	145 1261 000	4	WASHER
18	146 2090 000	2	SCREW CYL HD M5X16
19	909 5149 000	1	SUPPORT CABLE
21*	9096951000	1	COUNTER HOUR 24V KIT
22	33004576	2	SCREW M6X16 UNI5933
23#	L08228600	2	WASHER 6X18 UNI6592
[24]	145 8368 000	2	FUSE 3A (PCB FUNCTIONS - PUMP)
[25]	145 8513 000	1	FUSE BLADE 30A (CLICK ON/OFF - BRUSH)
[26]*	9096952000	1	INSTALLATION INSTRUCTIONS FOR COUNTER HOUR KIT



2007-06	ELECTRICAL COMPONENTS			
2007-09	RAZOR™ 20			29

Item No.	Ref. No.	Qty	Description
1	145 8046 000	1	FUSE CARRIER
2	909 6498 000	1	SUPPORT
3	909 6676 000	2	SPACER M4 L=25
4	33005499	2	NUT HEX M3
5#	L08812801	2	SPACER
6#	L08812964	4	SCREW HEX HD M3X10
7#	L08812986	2	WASHER SPLIT 3 SS
8	145 8513 000	1	FUSE BLADE 30A UL
9	145 1261 000	8	WASHER
10	145 1449 000	3	CLAMP
11	33003947	5	SCREW HEX HD M4X10
12	33005838	2	WASHER SPLIT 4
13	33005839	5	WASHER
14	145 6132 000	3	INSERT M5
15	145 5743 000	3	NUT
16	909 6337 000	1	SCREW CYL HD M5X12
17	33003960	2	SCREW HEX. HD M5X12
18	145 9237 000	1	WASHER FLAT 4X12
19	146 1788 000	1	SCREW M4X12
20	146 0622 000	1	DOWEL
21	146 0660 000	1	BLADE FUSE HOLDER
22	146 0719 000	1	ELECTROMAGNETIC SWITCH 24V
23	145 3824 000	1	STRIP FUSE 40A
24	909 6622 000	1	RELAY 24V 40A
25	9096963000	1	HARNESS ELECTRIC BOX
26#	L08338600	1	CABLE HOLDER
27	9096914000	1	CABLE EXTENTION US
28	909 6541 000	1	BATTERY CHARGER 24V 13A 100-240V
[29]	9096971000	1	MACHINE HARNESS
[30]	909 6840 000	1	HARNESS VACUUM CLEANER
[31]	9096906000	1	BATTERY HARNESS
[32]#	L08812093	4	COVER, BATTERY TERMINAL
[33]	146 1986 000	1	CONNECTOR 120A



2007-06

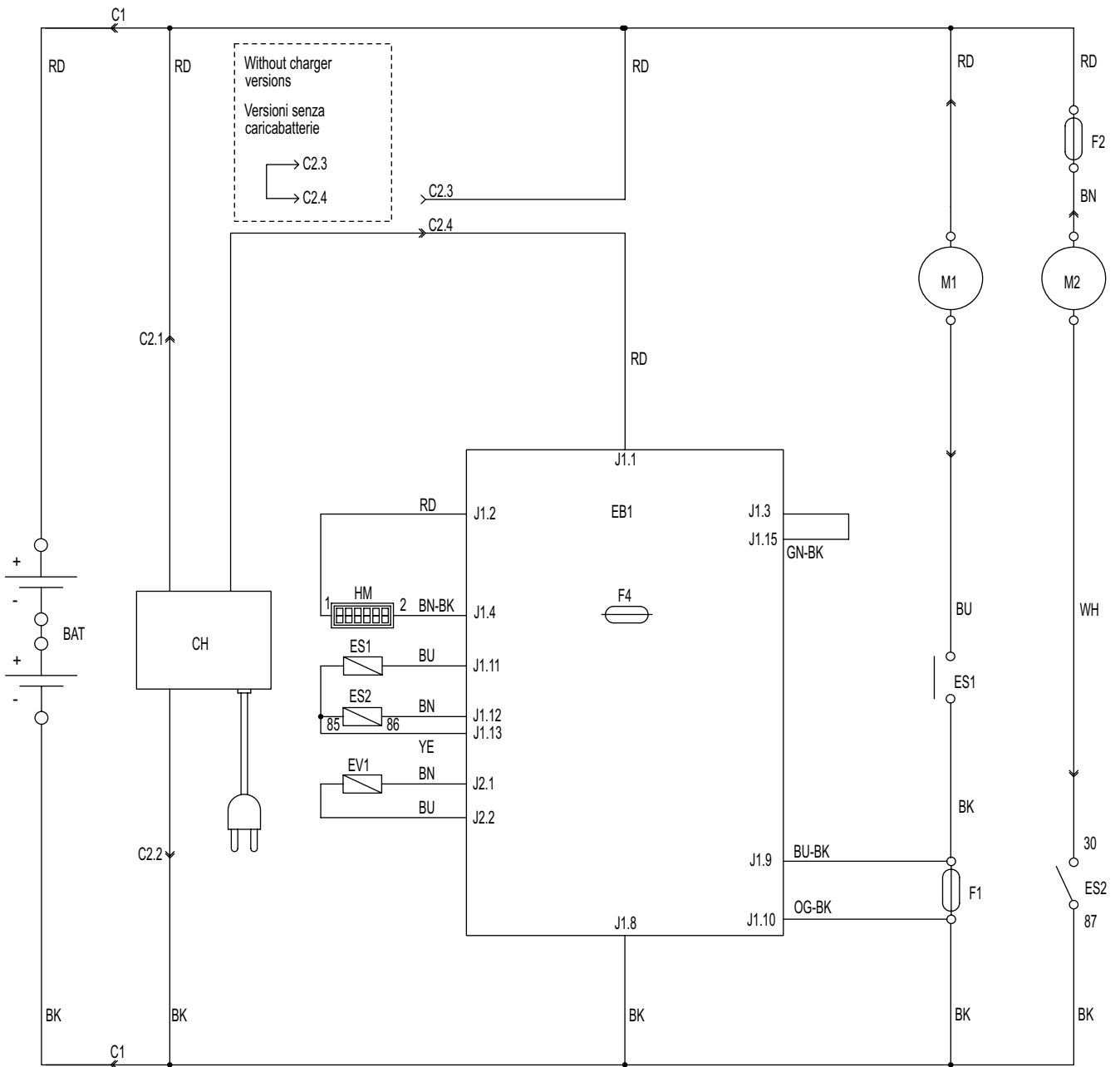
ELECTRICAL COMPONENTS

2007-09

RAZOR™ 20T

31

Item No.	Ref. No.	Qty	Description
1	145 8046 000	1	HOLDER FUSE
2	909 6498 000	1	SUPPORT
3	909 6676 000	2	SPACER M4 L=25
4	33005499	4	NUT HEX M3
5#	L08812801	2	SPACER
6#	L08812964	4	SCREW HEX HD M3X10
7#	L08812986	4	WASHER SPLIT 3 SS
8	145 8513 000	2	FUSE BLADE 30A (VACUUM - DRIVE MOTOR)
9	145 1261 000	6	WASHER
10	145 1449 000	3	CLAMP
11	33003947	5	SCREW HEX HD M4X10
12	33005838	2	WASHER SPLIT 4
13	33005839	5	WASHER
14	145 6132 000	3	INSERT M5
15	145 5743 000	7	NUT
16	145 3824 000	1	FUSE STRIP 40A (BRUSH MOTOR)
17	33003960	2	SCREW HEX. HD M5X12
18	145 9237 000	1	WASHER FLAT 4X12
19	9096914000	1	CABLE EXTENTION US
20	146 0622 000	1	DOWEL
21	146 0660 000	2	BLADE FUSE HOLDER
22	909 5127 000	1	ELECTROMAGNETIC SWITCH 24V (BRUSH MOTOR CONTACTOR)
23	9096908000	1	CARD ELECTRONIC TRACTION
24	909 6622 000	1	RELAY 24V 40A (VACUUM MOTOR CONTACTOR)
25	9096964000	1	HARNESS ELECTRIC BOX
26	909 6337 000	3	SCREW CYL HD M5X12
27#	L08338600	1	CABLE HOLDER
28	909 6541 000	1	BATTERY CHARGER 24V 13A
[32]	9096972000	1	MACHINE HARNESS
[33]	909 6840 000	1	HARNESS VACUUM CLEANER
[34]	9096906000	1	BATTERY HARNESS
[35]#	L08812093	4	BOOT BATTERY CLAMP
[36]	146 1986 000	1	CONNECTOR 120A

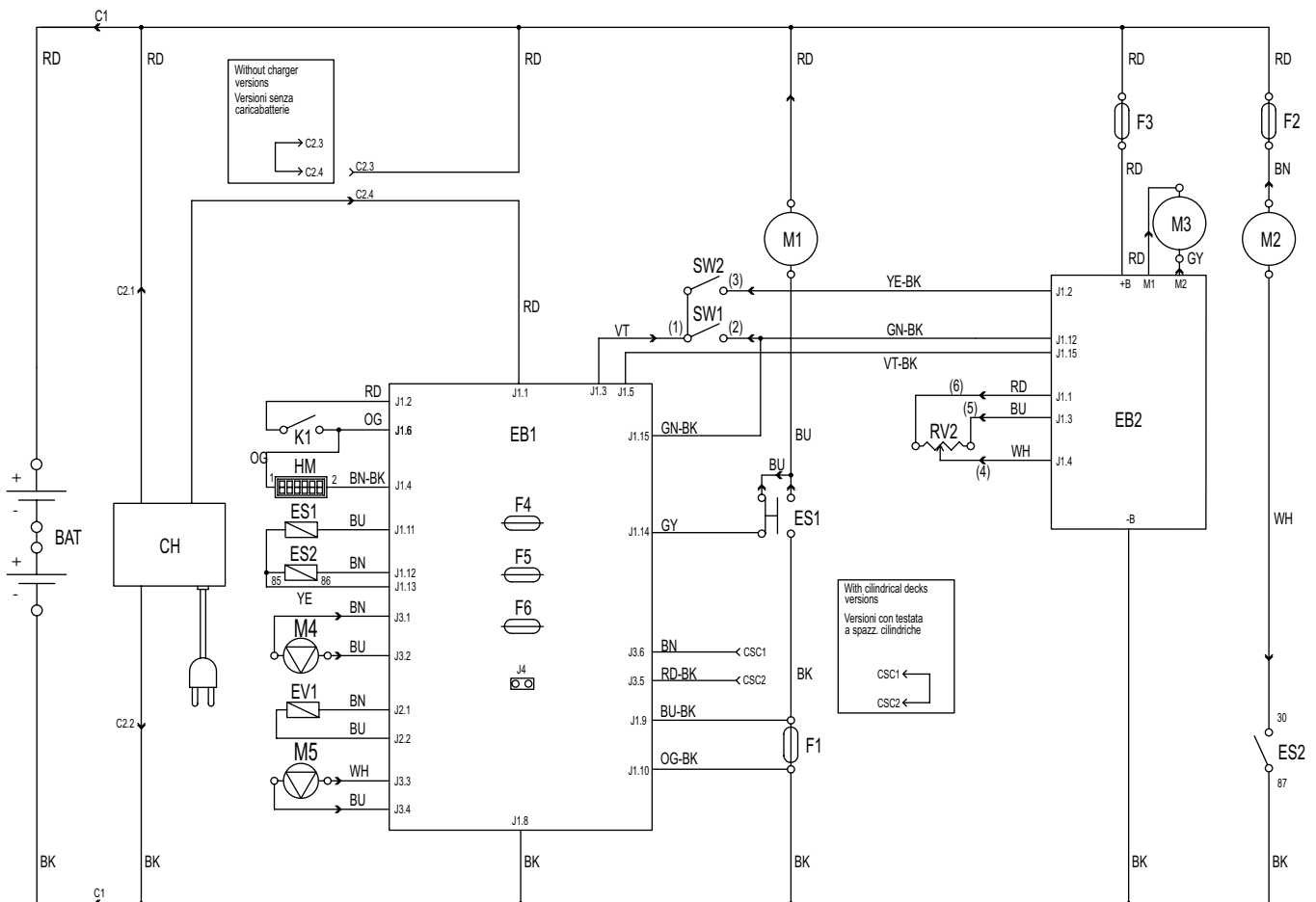


WIRING DIAGRAM

Rev. A

909 6530 000

COMPONENTS / COMPONENTI	
BAT	24V BATTERIES
C1	BATTERY CONNECTOR
C2	CHARGER CONNECTOR
CH	BATTERY CHARGER
CS	BRUSH DECK CONNECTOR
EB1	CONTROL PANEL BOARD
ES1	BRUSH MOTOR ELECTROM. SWITCH
ES2	VACUUM MOTOR ELECTROM. SWITCH
EV1	WATER ELECTROVALVE
F1	BRUSH DECK FUSE
F2	VACUUM MOTOR FUSE
F4	LOW POWER CIRCUIT FUSE
HM	HOURLMETER (OPT)
M1	BRUSH MOTOR
M2	VACUUM MOTOR



WIRING DIAGRAM

9096909000

COMPONENTS / COMPONENTI			
BAT	24V BATTERIES	K1	KEY SWITCH
C1	BATTERY CONNECTOR	M1	BRUSH MOTOR
C2	CHARGER CONNECTOR	M2	VACUUM MOTOR
CH	BATTERY CHARGER	M3	DRIVE MOTOR
CSC	CILINDRICAL DECK SECONDARY CONNECTOR	M4	WATER PUMP (OPT)
EB1	CONTROL PANEL BOARD	M5	DETERGENT PUMP (OPT)
EB2	DRIVE ELECTRONIC BOARD	RV2	MAX SPEED POTENTIOMETER
ES1	BRUSH MOTOR ELECTROM. SWITCH	SW1	BRUSHES / DRIVE MICROSWITCH
ES2	VACUUM MOTOR ELECTROM. SWITCH	SW2	REV. GEAR MICROSWITCH
EV1	ELECTROVALVE		
F1	BRUSH DECK FUSE		
F2	VACUUM MOTOR FUSE		
F3	DRIVE SYSTEM FUSE		
F4	LOW POWER CIRCUIT FUSE		
F5	BRUSH RELEASE FUSE		
F6	PUMP FUSE		
HM	HOURMETER (OPT)		

RECOMMENDED SPARE PARTS

2007-06

34

RAZOR™ 20 - 20T

2007-09

Ref. No.	DESCRIPTION	QTY	MACHINES
SOLUTION TANK			
9097166000	FILTER COMPLETE KIT	1	RAZOR™ 20 - RAZOR™ 20T
9097170000	HOSE KIT	1	RAZOR™ 20 - RAZOR™ 20T
909 6555 000	SOLENOID VALVE 24V	1	RAZOR™ 20 - RAZOR™ 20T
909 6636 000	HOLDER RUBBER 1/2 FEMALE	1	RAZOR™ 20 - RAZOR™ 20T
909 6875 000	SOLUTION TANK HARDWARE KIT	1	RAZOR™ 20 - RAZOR™ 20T
RECOVERY TANK			
909 6230 000	HOSE SQUEEGEE VACUUM	1	RAZOR™ 20 - RAZOR™ 20T
909 6528 000	HOSE DRAIN	1	RAZOR™ 20 - RAZOR™ 20T
L08812259#	CAGE, FLOAT	1	RAZOR™ 20 - RAZOR™ 20T
L08812373#	BALL FLOAT	1	RAZOR™ 20 - RAZOR™ 20T
L08812968#	GASKET	1	RAZOR™ 20 - RAZOR™ 20T
145 0543 000	HOSE CLAMP	2	RAZOR™ 20 - RAZOR™ 20T
909 6876 000	HARDWARE TANK SYSTEM KIT	1	RAZOR™ 20 - RAZOR™ 20T
909 6877 000	HARDWARE MOTOR FIXING KIT	1	RAZOR™ 20 - RAZOR™ 20T
909 6802 000	MOTOR VACUUM W/CONNECTOR KIT	1	RAZOR™ 20 - RAZOR™ 20T
909 6491 000	VACUUM MOTOR PANEL ACOUSTIC INSULATION	1	RAZOR™ 20 - RAZOR™ 20T
909 6490 000	GASKET VACUUM MOTOR	1	RAZOR™ 20 - RAZOR™ 20T
9096918000	GASKET VACUUM MOTOR	1	RAZOR™ 20 - RAZOR™ 20T
9097169000	GASKET VACUUM MOTOR	1	RAZOR™ 20 - RAZOR™ 20T
909 6672 000	FILTER	1	RAZOR™ 20 - RAZOR™ 20T
909 6876 000	HARDWARE TANK SYSTEM KIT	1	RAZOR™ 20 - RAZOR™ 20T
909 5371 000	CARBON BRUSH FOR VACUUM MOTOR	2	RAZOR™ 20 - RAZOR™ 20T
CHASSIS SYSTEM			
909 6898 000	WHEEL CASTOR KIT	1	RAZOR™ 20
909 6897 000	WHEEL CASTOR SS KIT	1	RAZOR™ 20 - RAZOR™ 20T
909 6878 000	CHASSIS SYSTEM HARDWARE KIT	1	RAZOR™ 20 - RAZOR™ 20T
WHEEL SYSTEMS			
909 6548 000	MOTOR DRIVE 24V 200W	1	RAZOR™ 20T
145 5124 000	CARBON BRUSH FOR DRIVE MOTOR	2	RAZOR™ 20T
909 6862 000	WHEEL FRONT DRIVE D.200	2	RAZOR™ 20T
909 6507 000	WHEEL FRONT D.200	2	RAZOR™ 20
HANDLE ASSEMBLY			
L08812282#	CAM HANDLE MICROSWITCH	1	RAZOR™ 20T
9096923000	CAM HANDLE MICROSWITCH	1	RAZOR™ 20T
909 6881 000	HARDWARE HANDLE FIXING KIT	1	RAZOR™ 20T
SOLUTION SYSTEM			
9096994000	VALVE ELBOW	1	RAZOR™ 20 - RAZOR™ 20T
9097166000	FILTER KIT CPL	1	RAZOR™ 20 - RAZOR™ 20T
9097170000	PIPES SOLENOID VALVE KIT	1	RAZOR™ 20 - RAZOR™ 20T
909 6555 000	SOLENOID VALVE 24V	1	RAZOR™ 20 - RAZOR™ 20T
SQUEEGEE SYSTEM			
909 6055 000	FRONT STRAP	2	RAZOR™ 20 - RAZOR™ 20T
909 6044 000	WELDMENT SQUEEGEE TOOL	1	RAZOR™ 20 - RAZOR™ 20T
L08603675#	NUT THUMB SQUEEGEE FIXING	2	RAZOR™ 20 - RAZOR™ 20T
909 6551 000	KNOB 8X30 SS	1	RAZOR™ 20 - RAZOR™ 20T
909 6484 000	REAR BLADE SQUEEGEE	1	RAZOR™ 20 - RAZOR™ 20T
909 6483 000	FRONT BLADE SQUEEGEE	1	RAZOR™ 20 - RAZOR™ 20T
909 6851 000	SQUEEGEE KIT COMPLETE	1	RAZOR™ 20 - RAZOR™ 20T
909 6882 000	HARDWARE SQUEEGEE BLADE FIXING KIT	1	RAZOR™ 20 - RAZOR™ 20T
909 6883 000	WHEEL SQUEEGEE KIT	1	RAZOR™ 20 - RAZOR™ 20T
909 6884 000	ROLLER BUMPER SQUEEGEE KIT	1	RAZOR™ 20 - RAZOR™ 20T
909 6885 000	SQUEEGEE SUPPORT HARDWARE KIT	1	RAZOR™ 20 - RAZOR™ 20T
909 6394 000	LATCH SQUEEGEE KIT	1	RAZOR™ 20 - RAZOR™ 20T
909 6851 000	SQUEEGEE KIT COMPLETE	1	RAZOR™ 20 - RAZOR™ 20T

Ref. No.	DESCRIPTION	QTY	MACHINES
BRUSH SYSTEMS			
909 6042 000	BRUSH DECK	1	RAZOR™ 20 - RAZOR™ 20T
909 6853 000	BRUSH DECK KIT	1	RAZOR™ 20T
909 6546 000	REDUCTIONGEARMOTOR 480W	1	RAZOR™ 20 - RAZOR™ 20T
909 5380 000	CARBON BRUSH KIT	1	RAZOR™ 20 - RAZOR™ 20T
909 6887 000	ROLLER BUMPER KIT	1	RAZOR™ 20 - RAZOR™ 20T
L08601624#	FITTING 1/4	1	RAZOR™ 20 - RAZOR™ 20T
9097184000	VIBRATION DAMPING	1	RAZOR™ 20 - RAZOR™ 20T
909 6888 000	BRUSH SYSTEM HARDWARE KIT	1	RAZOR™ 20 - RAZOR™ 20T
9097077000	GAS SPRING (EXTRA PRESSURE)	1	RAZOR™ 20 - RAZOR™ 20T
9097184000	VIBRATION DAMPING	1	RAZOR™ 20 - RAZOR™ 20T
L08837018#	PAD HOLDER	1	RAZOR™ 20 - RAZOR™ 20T
9097093000	HOLDER POLYGONAL W/FLANGE	1	RAZOR™ 20 - RAZOR™ 20T
CONTROL PANEL SYSTEMS			
909 6099 000	DECAL CONTROL PANEL	1	RAZOR™ 20
9097029000	DECAL CONTROL PANEL	1	RAZOR™ 20T
9097006000	ELECTRONIC CARD	1	RAZOR™ 20
9097007000	ELECTRONIC CARD	1	RAZOR™ 20T
146 2888 000	ON/OFF KEY SWITCH	1	RAZOR™ 20T
146 2887 000	KEY	1	RAZOR™ 20T
ELECTRICAL SYSTEMS			
9096908000	CARD ELECTRONIC TRACTION	1	RAZOR™ 20T
146 1986 000	CONNECTOR BATTERY	1	RAZOR™ 20 - RAZOR™ 20T
146 0719 000	SWITCH ELECTROMAGNETIC 24V	1	RAZOR™ 20
909 5127 000	SWITCH ELECTROMAGNETIC 24V	1	RAZOR™ 20T
909 6622 000	RELAY 24V 40A	1	RAZOR™ 20 - RAZOR™ 20T
145 3824 000	FUSE STRIP 40A	1	RAZOR™ 20 - RAZOR™ 20T
145 8513 000	FUSE BLADE 30A UL	1	RAZOR™ 20 - RAZOR™ 20T
145 8368 000	FUSE 3A	1	RAZOR™ 20 - RAZOR™ 20T
909 6541 000	BATTERY CHARGER 24V 13A 100-240V 50/60HZ	1	RAZOR™ 20 - RAZOR™ 20T
ACCESSORIES			
9096916000	FILTER SOLUTION TANK	1	RAZOR™ 20 - RAZOR™ 20T
909 6848 000	BRUSH DECK W/SQUEEGEE KIT	1	RAZOR™ 20T
L08837025#	BRUSH PROLENE 530MM	1	RAZOR™ 20 - RAZOR™ 20T
L08837026#	BRUSH PROLITE 530MM	1	RAZOR™ 20 - RAZOR™ 20T
L08837027#	BRUSH UNION MIX 530MM	1	RAZOR™ 20 - RAZOR™ 20T
L08837028#	BRUSH MIDLITE GRIT 530MM	1	RAZOR™ 20 - RAZOR™ 20T
L08837029#	BRUSH MID GRIT 240 530MM	1	RAZOR™ 20 - RAZOR™ 20T
L08837065#	BRUSH MAGNA GRIT 46 530MM	1	RAZOR™ 20 - RAZOR™ 20T
L08837066#	BRUSH DYNA GRIT 80 530MM	1	RAZOR™ 20 - RAZOR™ 20T
L08837067#	BRUSH AGLITE GRIT 500 530MM	1	RAZOR™ 20 - RAZOR™ 20T
L08603878#	SQUEEGEE KIT	1	RAZOR™ 20 - RAZOR™ 20T
909 6860 000	BLADES NEOPRENE KIT 30"	1	RAZOR™ 20 - RAZOR™ 20T
909 6858 000	BLADES POLYURET. KIT 30"	1	RAZOR™ 20 - RAZOR™ 20T
9097185000	EXTRA PRESSURE KIT	1	RAZOR™ 20 - RAZOR™ 20T
909 6736 000	SPLASH GUARD 20" KIT	1	RAZOR™ 20 - RAZOR™ 20T
9096951000	COUNTER HOUR	1	RAZOR™ 20 - RAZOR™ 20T
9097167000	WHEEL FRONT D.200 65SH	2	RAZOR™ 20
9097032000	WHEEL FRONT D.200 DRIVE 65SH	2	RAZOR™ 20T

KENT

Simple. Clean.

14600 21st Avenue North
Plymouth, MN, 55447-3408
www.kenteuroclean.com
Phone: 800-334-1083
Fax: 866-261-4779
©2007 Printed in Italy