



Electronic Service Manuals

This electronic document is provided as a service to our customers. We do not create the contents of the information contained in this document. Should you have detailed questions pertaining to the information contained in this document, you may contact Michco, or the manufacturer which provided the original information in this electronic deliverable. Michco's only part in this electronic deliverable was the electronic assembly process. By providing this manual on line we are not guaranteeing parts availability.

You may contact Michco through the following methods:

Phone (517) 484-9312 or (800) 331-3339

2011 N. High St. -- Lansing, Michigan -- 48906

Fax: (517) 484-9836

Email: CustServe@Michco.com

Web site: www.Michco.Com

Parts Web site: www.FloorMachineParts.Com

Order Parts on Line at:

www.FloorMachineParts.Com

Directly to Parts & Service:

By Email: **Shop@Michco.com**

By Fax: (517) 702-2041

By Voice: Use numbers above.

Serving the Cleaning Industry Since 1922

Notice: All copyrighted material remains property of original owners, all trademarks are property of respective owners. Manuals are subject to Manufacturer's reproduction limitations. Originals or reproductions were provided by manufacturers through a request. We make no warranty as to the correctness of information provided in this document and you assume all risk. By placing these manuals on line we are not declaring our corporation to be an manufacturer authorized dealer or provider, please check our web site for authorized manufacturers we represent.



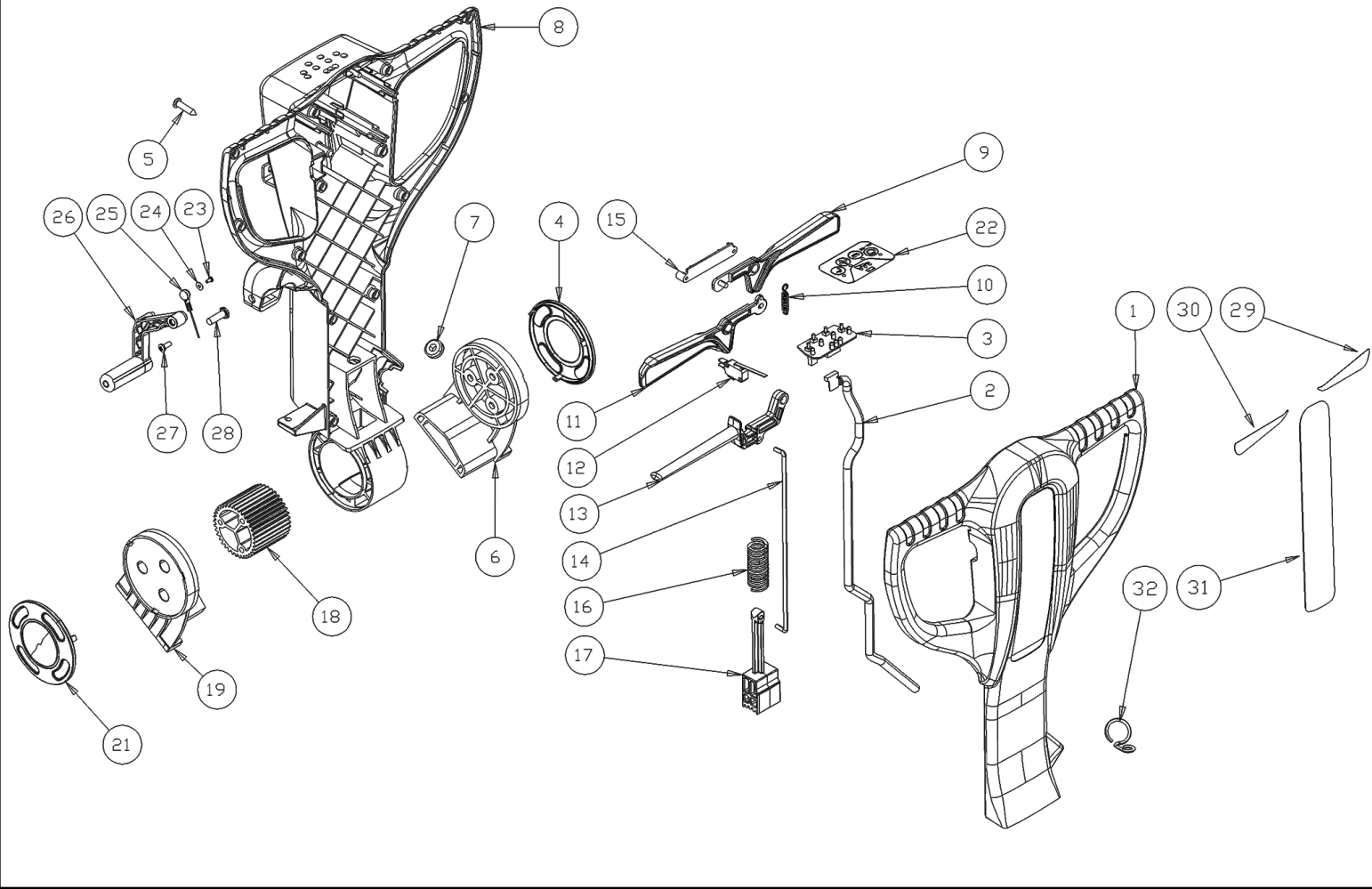
IPC
EAGLE

Spare Parts List

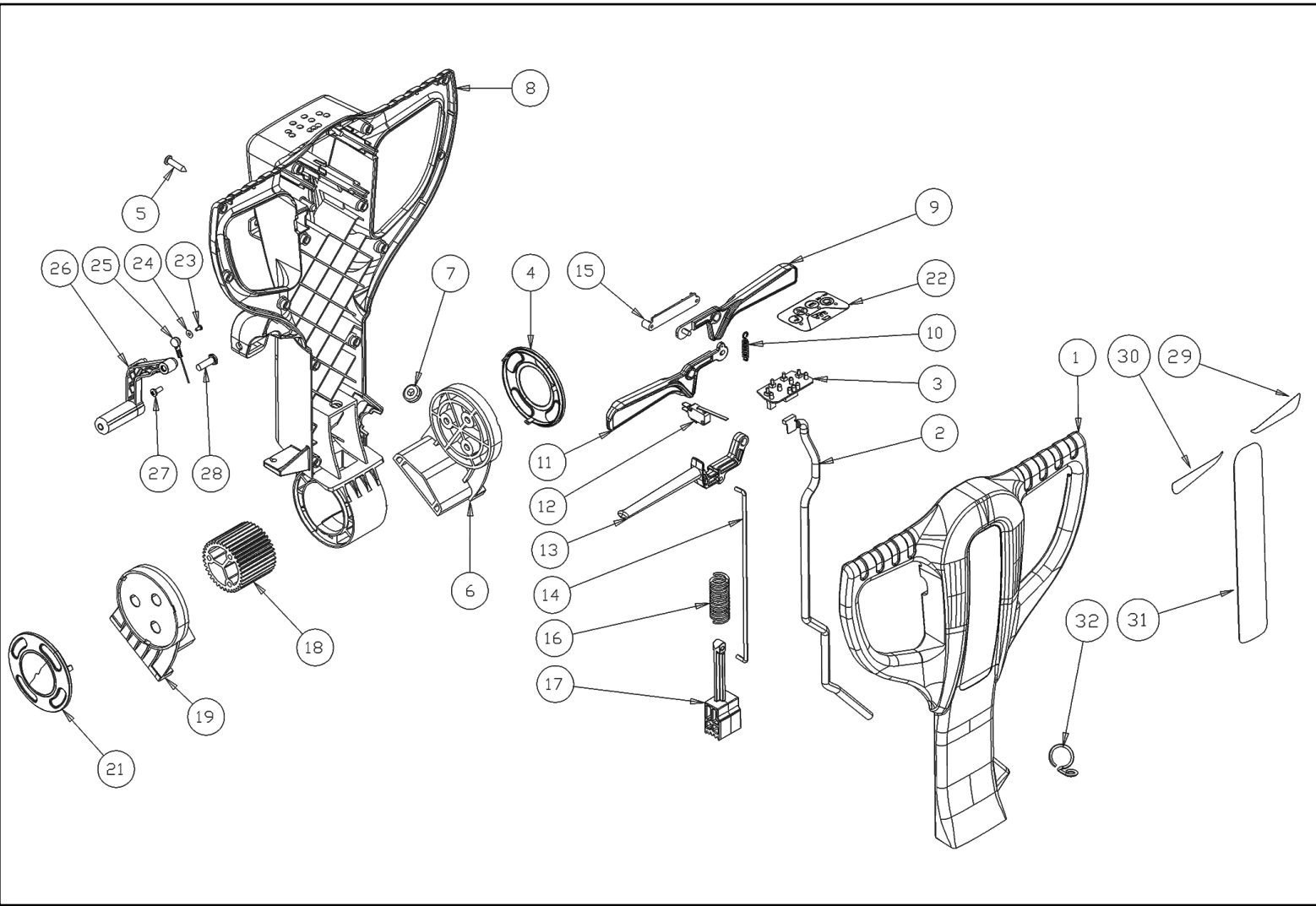
IPC EAGLE

Ref: LPTB01861

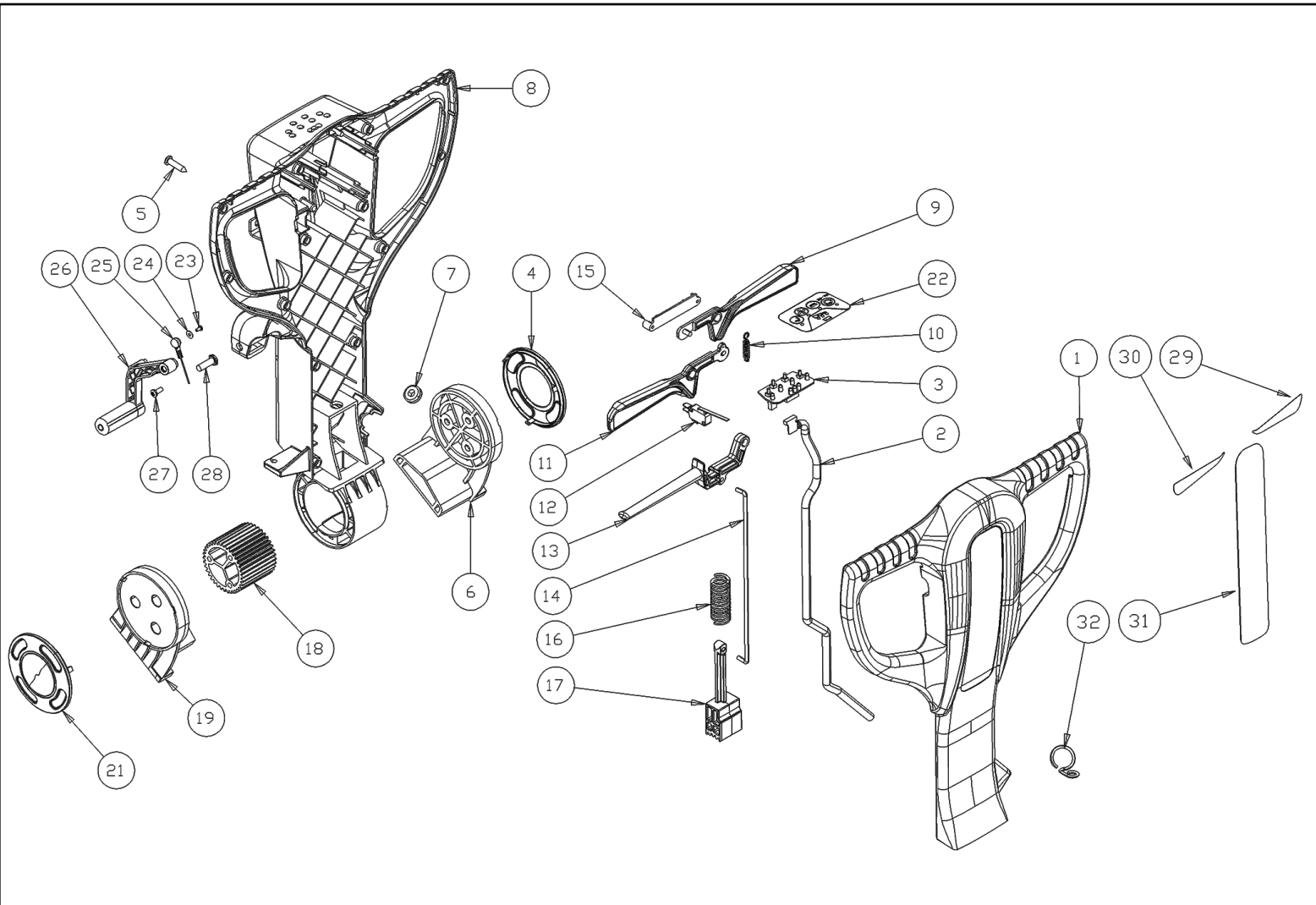
Model: CT46 B50+CB GR/VE USA



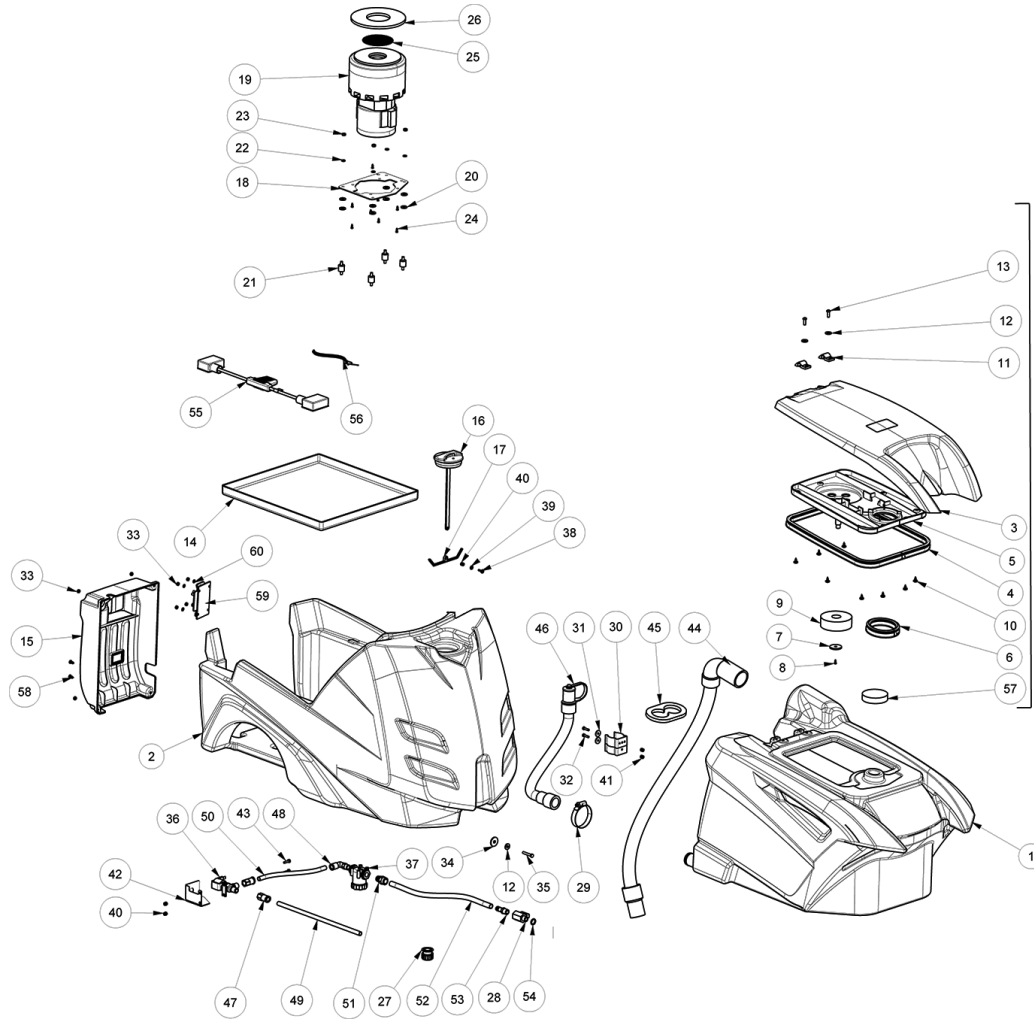
Ref.	K	Part N.	Customer Part N.	Description	Qty	Validity:		Price
						From	To	
0001		MPVR06046		CRANKCASE -	1,00			--
0002		MECB01257		CABLE RIBBON CT15	1,00	09/2015	11/2015	--
0002		MECB01326		WIRING FLAT CABLE CT45	1,00		09/2015	--
0002		MECB01396		WIRING	1,00	11/2015		--
0003		MECE00579		BOARD LOGIC CT45 24V	1,00		09/2015	--
0003	S	MECE00605		BOARD LOGIC CT30 24V	1,00	09/2015		--
0004		MPVR06055		COVER -	1,00			--
0005		VTVT01371		SCREW 4,8X19	14,00			--
0006		MPVR06054		SHELL SX	1,00			--
0007		MPVR06057		FAIR-LEAD -	1,00			--
0008		MPVR06047		CRANKCASE -	1,00			--
0009		MPVR06048		LEVER SX	1,00			--
0010		MLML00336		SPRING -	1,00			--
0011		MPVR06049		LEVER DX	1,00			--
0012		MECI36393		MICROSWITCH TRZ. DRW	1,00			--
0013		MPVR06050		LEVER ADJUSTMENT	1,00			--
0014		LAFN09221		LEVER RINVIO	1,00			--
0015		MPVR06298		COVERING CT55	1,00			--
0016		MLML00337		SPRING -	1,00			--
0017		MPVR06052		HANDLE SUPPORT	1,00			--
0018		MPVR06056		GEAR -	1,00			--
0019		MPVR06053		SHELL DX	1,00			--
0021		MPVR06055		COVER -	1,00			--
0022		ETET01780		LABEL -	1,00		09/2015	--
0022		ETET01842		LABEL -	1,00	09/2015		--
0023		VTVT00800		SCREW TC 4X12 ZN	1,00	09/2014		--
0024		VTRS00251		WASHER 4-16 INOX A2	1,00	09/2014		--
0025		CMCV00364		CABLE -	1,00	09/2014		--
0026		MPVR49942		LEVER SQUEEGEE LIFTING PP	1,00	09/2014		--
0027		VTVT00796		SCREW TC 6X12	1,00	09/2014		--
0028		LAFN09248		PIN -	1,00	09/2014		--
0029		ETET01770		LABEL CT15	1,00			--
0029		ETET01773		LABEL CT15	1,00			--
0029		ETET01775		LABEL CT15	1,00			--
0030		ETET01770		LABEL CT15	1,00			--
0030		ETET01773		LABEL CT15	1,00			--
0030		ETET01775		LABEL CT15	1,00			--
0031		ETET01769		LABEL CT15	1,00			--
0031		ETET01772		LABEL CT15	1,00			--



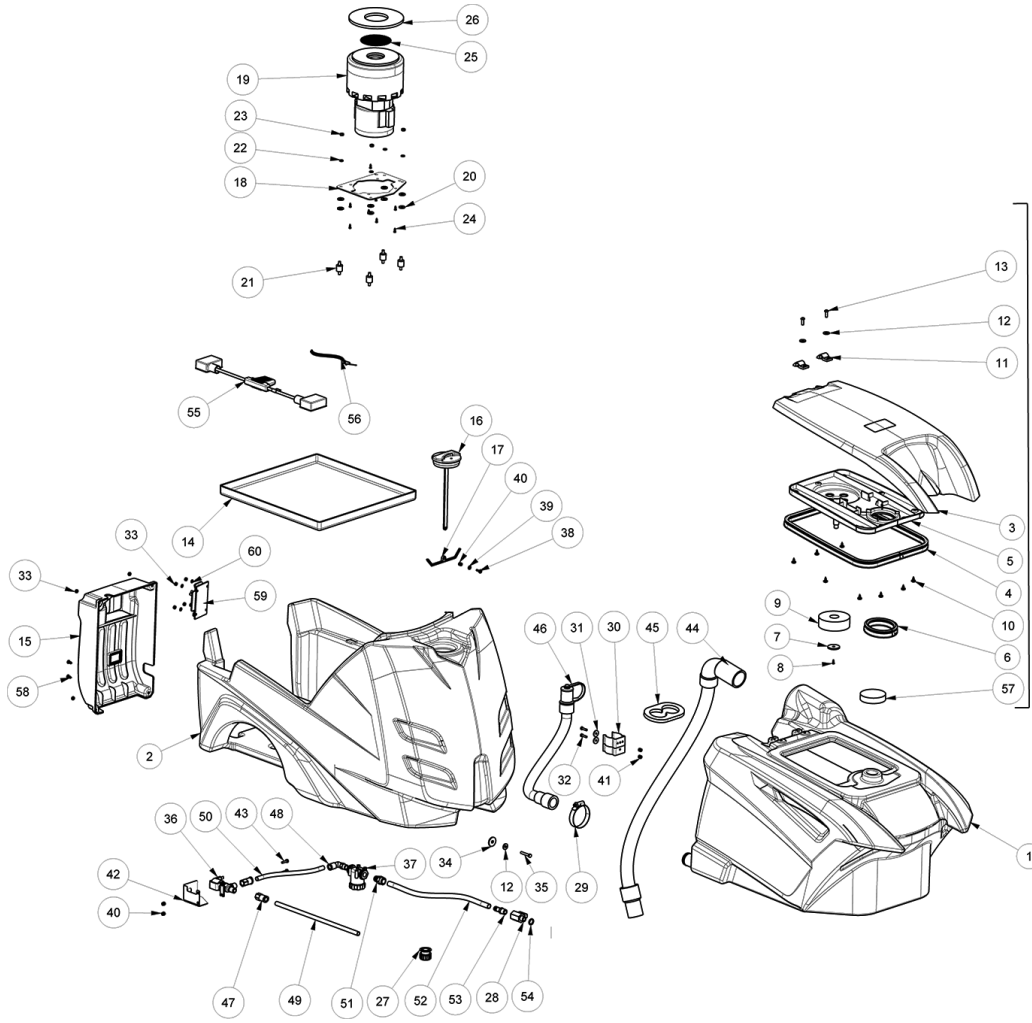
Ref. K	Part N.	Customer Part N.	Description	Qty	Validity:		Price
					From	To	
0031	ETET01774		LABEL CT15	1,00			--
0032	LAFN11049		HOOK -	1,00	04/2016		--



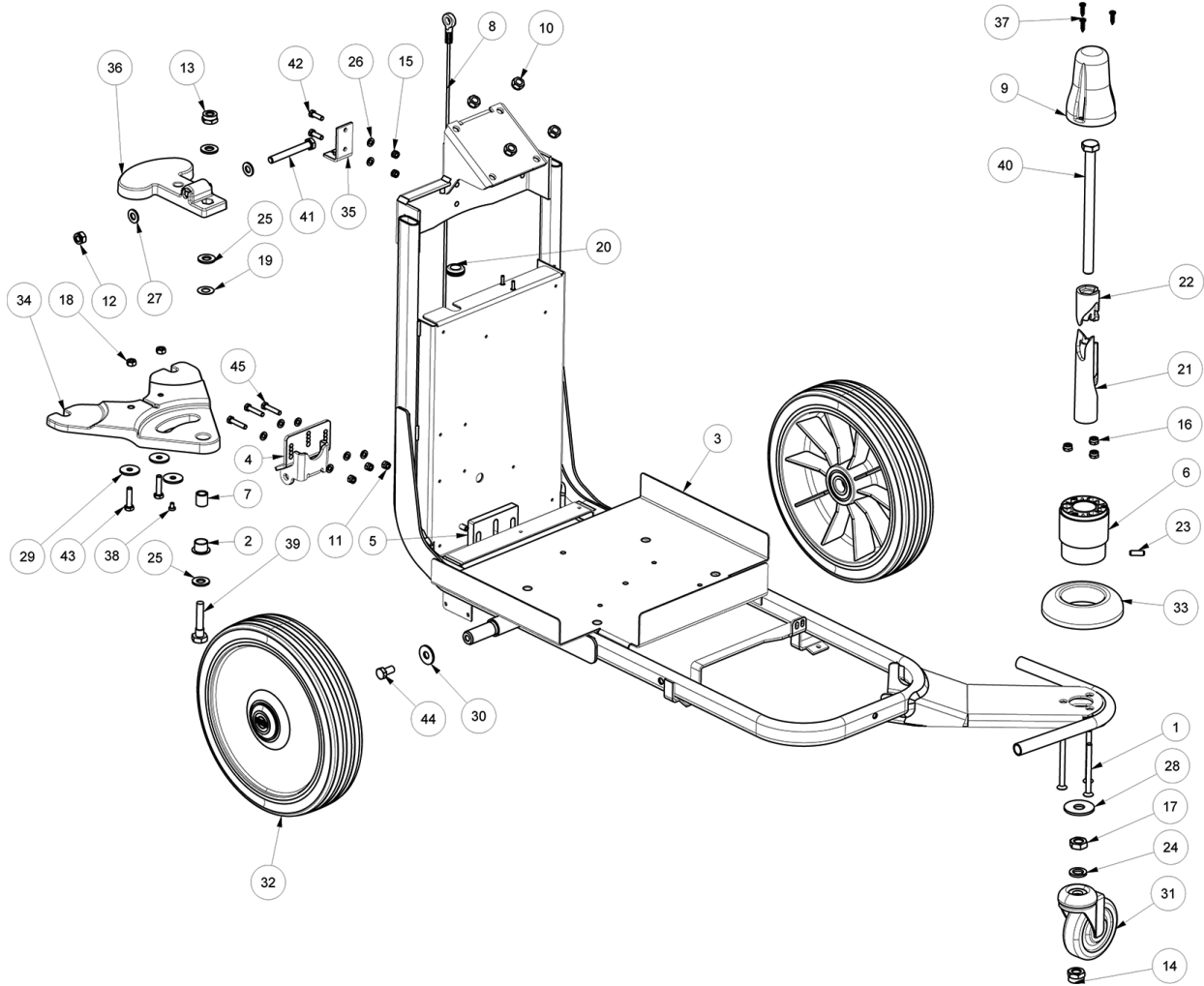
Ref. Part N.	Cust. Part N.	Description	Reference	Price
KTRI04750		KIT NEW PCB CT30B AND CT45B	0003	--



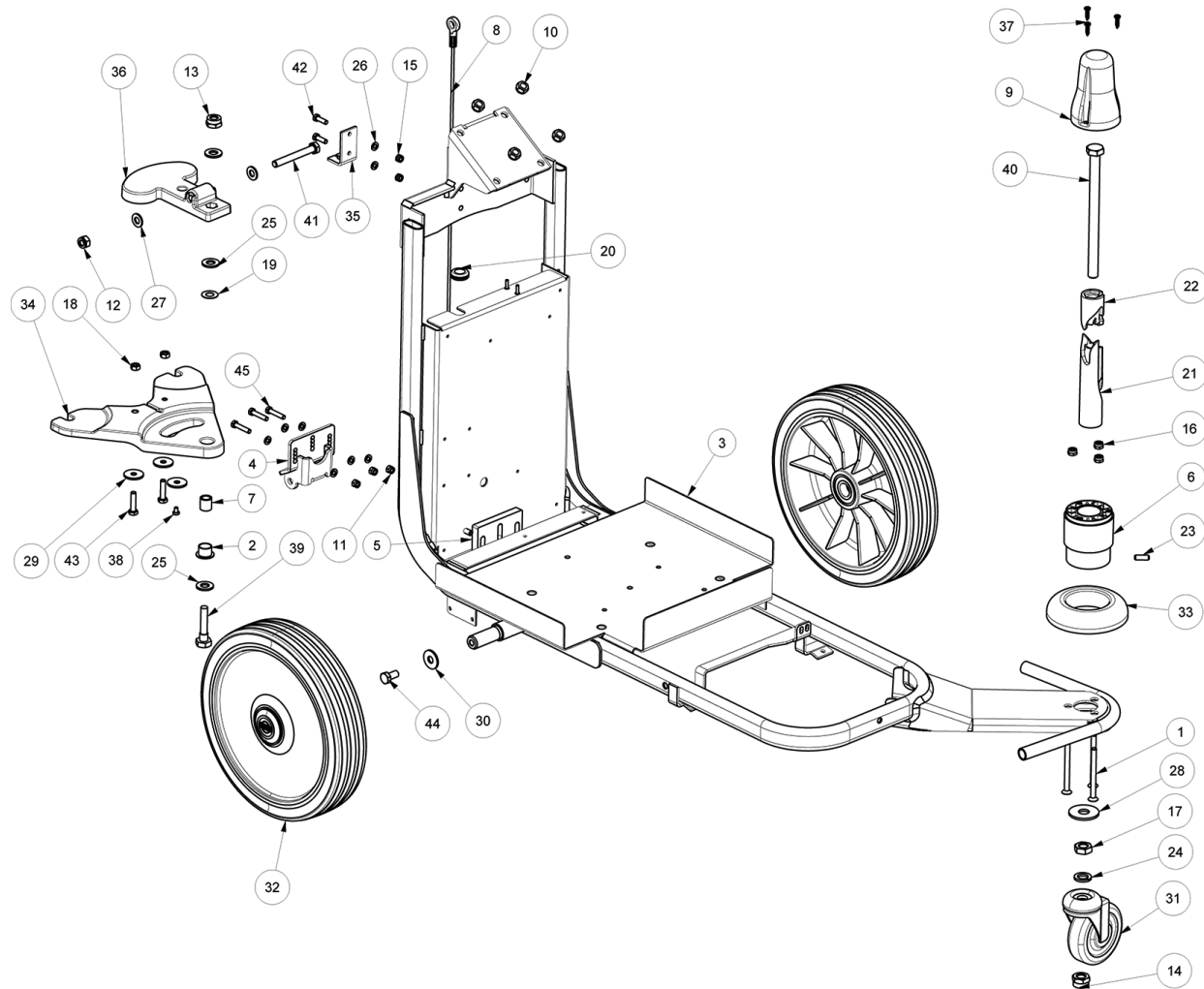
Ref.	K	Part N.	Customer Part N.	Description	Qty	Validity:		Price
						From	To	
0001		MPVR10598		TANK CT46	1,00			--
0002		MPVR10599		TANK CT46	1,00			--
0003		MPVR10715		COVER CT46	1,00			--
0004		GUVR01018		GASKET	1,00			--
0005		MPVR10716		BUSHING CT46	1,00			--
0006		GUVR01017		GASKET	1,00			--
0007		VTRS00573		WASHER 30x6x3	1,00			--
0008		VTVT48694		SCREW TCB TC 5 X12 UNI 9707 TZ	1,00			--
0009		MPVR05836		FLOATER -	1,00			--
0010		VTVT01694		SCREW TCB TC 5 X10 UNI 9707 TZ	9,00			--
0011		MPVR10718		HINGE CT46	2,00			--
0012		VTRS13750		WASHER D. 5X14 INX	3,00			--
0013		VTVT00805		SCREW TBEI M. 5-10	2,00			--
0014		LAFN35588		BATTERY SUPPORTLAV. BT	1,00			--
0015		MPVR10769		COVERING CT46	1,00			--
0016		MPVR05188		CAP -	1,00			--
0017		MPVR08038		PLATE CT15-30	1,00			--
0018		LAFN08894		PLATE -	1,00			--
0019		MOCC00397		MOTOR VACUUM CT15-CT30	1,00			--
0020		VTRS13750		WASHER D. 5X14 INX	8,00			--
0021		ABGO00052		VIBRATION DAMP.-	4,00			--
0022		VTRS15908		WASHER D. 5 INX GRW UNI 1751	4,00			--
0023		VTDD07727		NUT M 5 INOX	4,00			--
0024		VTVT48694		SCREW TCB TC 5 X12 UNI 9707 TZ	8,00			--
0025		LAFN05830		NET FERMA FILTRO INOX	1,00			--
0026		GUGO00444		GASKET -	1,00		09/2016	--
0026		GUGO00498		GASKET	1,00	09/2016		--
0027		MPVR08003		CAP	1,00		10/2016	--
0027		MPVR10774		CAP 1/2"	1,00	10/2016		--
0028		RCGR00082		VALVE -	1,00			--
0029		FSVR00095		CLAMP 30-45	1,00			--
0030		MPVR46988		CLIP LAV. SHK	1,00			--
0031		VTRS05904		WASHER D. 4 X16 2.083	2,00			--
0032		VTVT29884		SCREW TE M 4X 16 UNI 5739	2,00			--
0033		VTDD04368		NUT M 4 ZIN UNI 5588	4,00			--
0034		VTRS16937		WASHER 6x24 INOX UNI 6593	1,00			--
0035		VTVT01376		SCREW TE M 5X 35 UNI 5739	1,00			--
0036		MEEV00052		SOLENOID VALVE	1,00			--
0037		FTAC00044		FILTER CT15-CT30	1,00			--



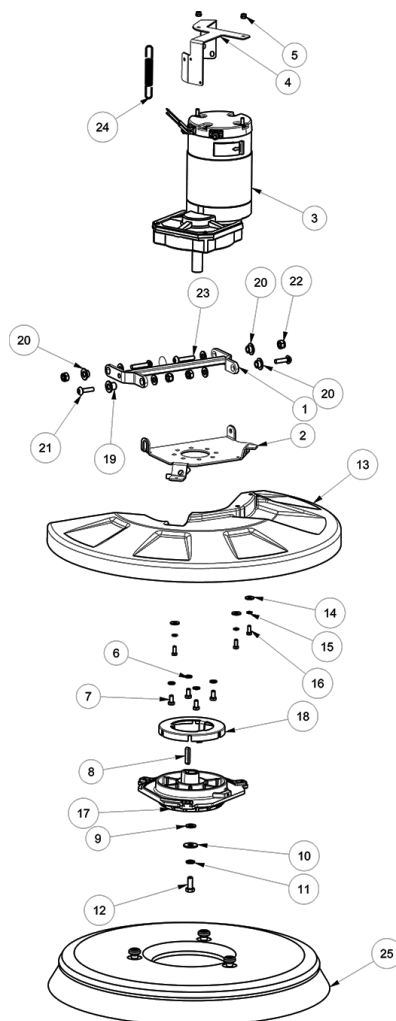
Ref. K	Part N.	Customer Part N.	Description	Qty	Validity:		Price
					From	To	
0038	VTVT15965		SCREW TCB-TC 4X12 UNI7687 INX	1,00			--
0039	VTRS00515		WASHER D. 4 INX	1,00			--
0040	VTDD00055		NUT M 4 ATB A2	3,00			--
0041	VTDD04369		NUT M 4 TEF UNI 7473	2,00			--
0042	LAFN07948		PROTECTION ELETTROVALVOLA	1,00			--
0043	VTVT15924		SCREW M 4 X 16 TCB-TC UNI 7687	2,00			--
0044	TBFX00357		TUBE CT45	1,00			--
0045	MPVR04659		FLANGE	1,00			--
0046	TBFX00350		TUBE HOSE DRAIN CT30	1,00			--
0047	RCVR00772		CONNECTOR 1/4	2,00			--
0048	RCVR00773		CONNECTOR 1/4	1,00			--
0051	RCVR00807		CONNECTOR 10 1/4	1,00			--
0053	RCVR00784		CONNECTOR -	1,00			--
0054	GUGO31088		O-RING D. 12 X 2.50 NBR 70SH	1,00			--
0055	MECB01943		WIRING	1,00			--
0057	FTDP00683		FILTER -	1,00			--
0059	MECE00742		BOARD POWER CT15-30-45B-BT	1,00			--
0060	VTRS00377		WASHER M4	4,00			--



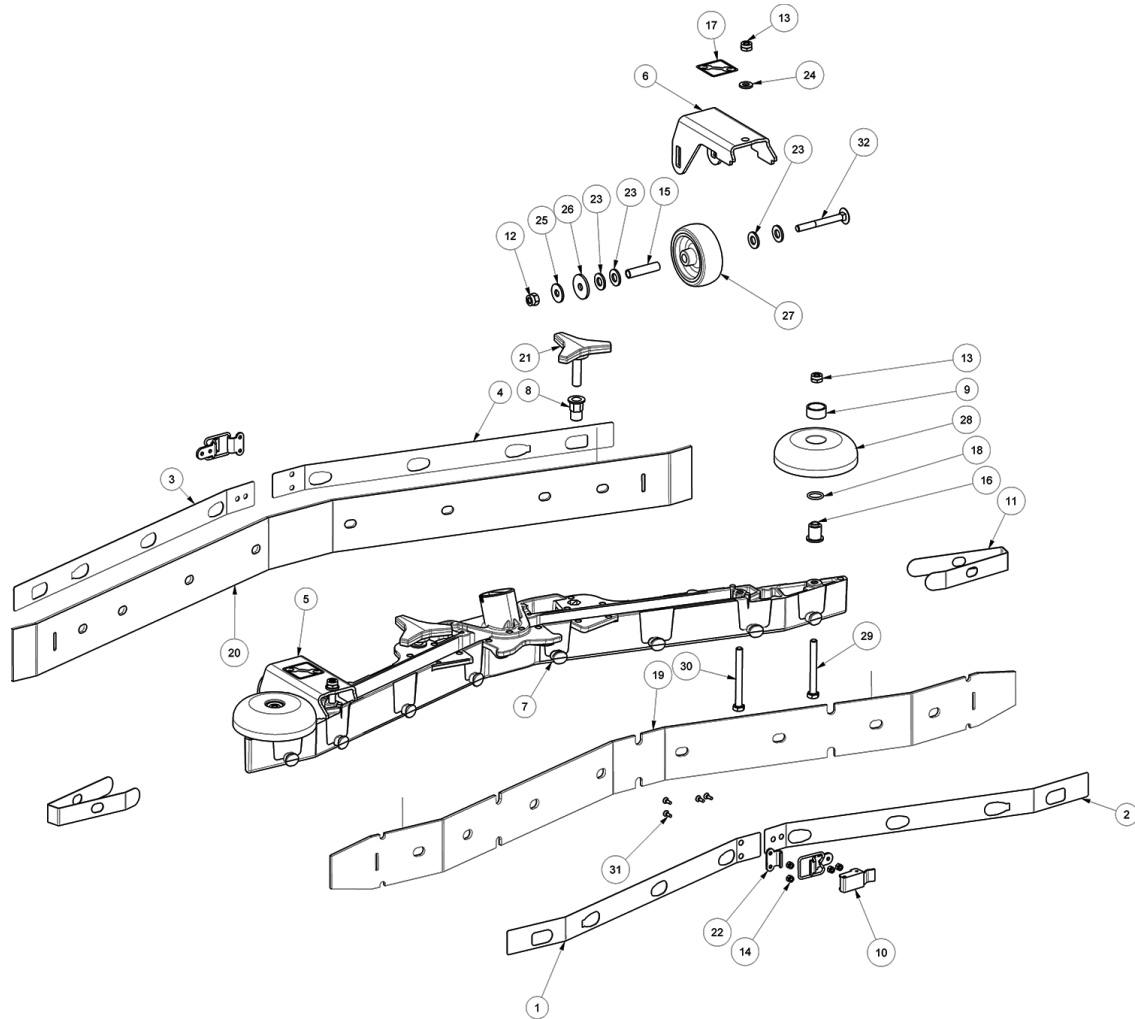
Ref.	K	Part N.	Customer Part N.	Description	Qty	Validity:		Price
						From	To	
0001		VTVT01160		SCREW M6x65	3,00			--
0002		CUVR00193		BUSHING -	1,00			--
0003		LAFN11041		FRAME -	1,00			--
0004		LAFN08106		COUPLING SQUEEGEE	1,00			--
0005		LAFN11083		SPACER -	1,00			--
0006		MPVR07136		BUSHING -	1,00			--
0007		LAFN08067		BUSHING CT45	1,00			--
0008		CMCV00364		CABLE -	1,00			--
0009		MPVR07133		COVERING -	1,00			--
0010		VTDD00124		NUT M 8 BASSO	4,00			--
0011		VTDD15517		NUT M 5 INX	3,00			--
0012		VTDD01695		NUT M 8 INX	1,00			--
0013		VTDD10310		NUT AUTOBL.M10 INOX DIN 985	1,00			--
0014		VTDD00176		NUT M.12 INOX A2 BASSO AUTOB.	1,00			--
0015		VTDD01693		NUT M 5 INX	2,00			--
0016		VTDD01694		NUT M6 INOX	3,00			--
0017		VTDD00502		NUT M12	1,00			--
0018		VTDD15520		NUT M 6 A2 UNI 5588 INX	2,00			--
0019		MLML34767		SPRING D.10.2 X20	1,00			--
0020		MEVR00686		FAIR-LEAD DIAMETER 15.5	1,00			--
0021		MPVR06462		PIN -	1,00			--
0022		MPVR06461		PIN -	1,00			--
0023		VTVT01382		PIN -	1,00			--
0024		VTRS15919		WASHER D.12 GROVER UNI 1751 INX	1,00			--
0025		VTRS15523		WASHER D.10 X21 INOX UNI 6592	3,00			--
0026		VTRS00516		WASHER D. 5 INX	8,00			--
0027		VTRS13947		WASHER D. 8 INX UNI 6592	2,00			--
0028		VTRS09142		WASHER D.12 X 36	1,00			--
0029		VTRS16937		WASHER 6x24 INOX UNI 6593	3,00			--
0030		VTRS00512		WASHER D. 8 X24 ZC.	2,00			--
0031		RTRT00550		WHEEL -	1,00			--
0032		RTRT00537		WHEEL GRAY d.250 CT15-30-45	2,00			--
0033		MPVR07134		WHEEL -	1,00			--
0034		MFVR00224		ARTICULATION SQUEEGEE SUPPORT CT45	1,00			--
0035		LAFN09365		BRACKET -	1,00			--
0036		MFVR00223		SUPPORT SQUEEGEE CT45	1,00			--
0037		VTVT00044		SCREW TC AF.X PLAS UNI9707 4X16	3,00			--
0038		VTVT00881		SCREW TC+ M4x6 TRILOBATA INOX	1,00			--
0039		VTVT01169		SCREW TE M10X45	1,00			--



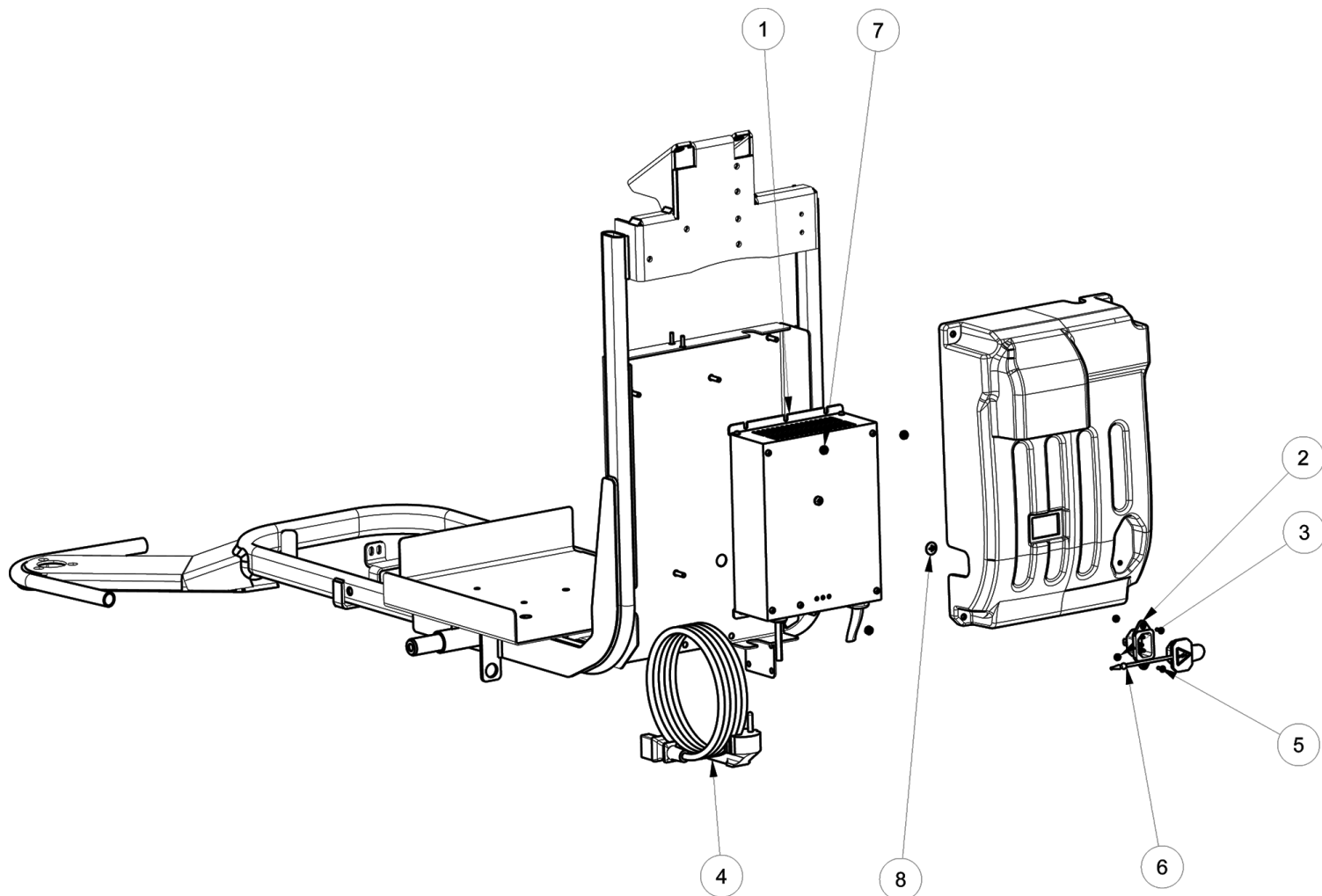
Ref. K	Part N.	Customer Part N.	Description	Qty	Validity:		Price
					From	To	
0040	VTVT01171		SCREW TE M12x170 UNI5737	1,00			--
0041	VTVT00757		SCREW	1,00			--
0042	VTVT07725		SCREW TE 5X16 UNI5739 INX	2,00			--
0043	VTVT15141		SCREW TE M 6X 25 UNI 5739 INX	2,00			--
0044	VTVT01110		SCREW TE 8X16 UNI5739	2,00			--
0045	VTVT00766		SCREW TE M. 5-25	3,00			--



Ref.	K	Part N.	Customer Part N.	Description	Qty	Validity: From To	Price
0001		LAFN07910		BRACKET -	1,00		--
0002		LAFN07905		SUPPORT -	1,00		--
0003		MOCC00426		MOTOR 24V 20A 400W IP44	1,00		--
0004		LAFN08083		BRACKET -	1,00		--
0005		VTDD01693		NUT M 5 INX	2,00		--
0006		VTRS15144		WASHER D. 6 INX GRW UNI 1751	4,00		--
0007		VTVT15906		SCREW TE 6X 12 A2 UNI 5739	4,00		--
0008		VTVR16617		KEY 6X 6X30 UNI 6604	1,00		--
0009		VTRS13947		WASHER D. 8 INX UNI 6592	5,00		--
0010		VTRS13946		WASHER D. 8 X24 INX UNI 6593	1,00		--
0011		VTRS15146		WASHER D. 8 INX GRW UNI 1751	1,00		--
0012		VTVT13938		SCREW TE 8X20 UNI5739 INX	1,00		--
0013		MPVR06243		COVERING CT45	1,00		--
0014		VTRS13750		WASHER D. 5X14 INX	3,00		--
0015		VTRS15908		WASHER D. 5 INX GRW UNI 1751	3,00		--
0016		VTVT01300		SCREW TE M5X12 INOX	3,00		--
0017		MFVR00212		DRIVE DISK	1,00		--
0018		MPVR06045		CONVEYOR -	1,00		--
0019		LAFN51068	#8479.90.9498	BUSHING LEVA POSTER.	1,00		--
0020		LAFN06391		BUSHING PARALLELOGRAMMA	3,00		--
0021		VTVT01195		SCREW TBEI M 8X 25 ISO 7380 IX	2,00		--
0022		VTDD01695		NUT M 8 INX	4,00		--
0023		VTVT01378		SCREW TBEI M8X35	2,00		--
0024		MLML00340		SPRING -	1,00		--
0025		SPPV01332		BRUSH D.500 NYLON	1,00		--



Ref.	K	Part N.	Customer Part N.	Description	Qty	Validity:		Price
						From	To	
0001		LAFN09275		SHEET METAL PA.-	1,00			--
0002		LAFN09276		SHEET METAL PA.-	1,00			--
0003		LAFN09277		SHEET METAL PA.-	1,00			--
0004		LAFN09278		SHEET METAL PA.-	1,00			--
0005		LAFN09216		SUPPORT DX	1,00			--
0006		LAFN09217		SUPPORT SX	1,00			--
0007		MFVR00143		BODY SQUEEGEE PRESSOFUSO	1,00			--
0008		VTVR00567		INSERT -	2,00			--
0009		MPVR49229		BUSHING SHK	2,00			--
0010		LAFN09302		CLOSURE -	2,00			--
0011		MPVR05897		CLOSURE S	2,00			--
0012		VTDD15518		NUT M 6 INX	2,00			--
0013		VTDD01694		NUT M6 INOX	4,00			--
0014		VTDD00210		NUT M 3 AUTOBL.DIN 985 IX.A2	8,00			--
0015		LAFN07589		SPACER -	2,00			--
0016		LAFN04100		SPACER PER RUOTINO PARACOLPI	2,00			--
0017		ETET01817		LABEL -	2,00			--
0018		GUGO00164		GASKET	2,00			--
0019		MPVR06287		BLADE XS 3MM LATEX	1,00			--
0020		MPVR06288		BLADE XS 3MM LATEX	1,00			--
0021		MPVR06004		KNOB AISI 304	2,00			--
0022		LAFN09301		SOCKET -	2,00			--
0023		VTRS00274		WASHER NYLON 66 D.8,4-17-2 UNI	8,00			--
0024		VTRS00245		WASHER D.6 UNI 6592 INOX	2,00			--
0025		VTRS13945		WASHER D. 6X18 INX UNI 6593	2,00			--
0026		VTRS16937		WASHER 6x24 INOX UNI 6593	2,00			--
0027		RTRT00398		WHEEL -	2,00			--
0028		MPVR06105		SMALL WHEEL -	2,00			--
0029		VTVT00655		SCREW TE M. 6-55	2,00			--
0030		VTVT17342		SCREW TE M 6X 60 UNI 5739 INX	2,00			--
0031		VTVT01070		SCREW TSTC M3X8	8,00			--
0032		VTVT01206		SCREW M6X55	2,00			--



Ref.	K	Part N.	Customer Part N.	Description	Qty	Validity:		Price
						From	To	
0001		BACA00194		BATTERY-CHARGER	1,00			--
0002		MEVR02074		PLUG IEC	1,00			--
0003		VTDD00001		NUT UNI 5588 M3 ZB	2,00			--
0004		MECB00922		EXTENSION 3x0,75 SHUKO PLUG	1,00			--
0005		VTVT00035		SCREW M 3X 8 TS TC ZC	2,00			--
0006		MPVR10801		CAP IEC	1,00			--
0007		VTDD04368		NUT M 4 ZIN UNI 5588	3,00			--
0008		ETET00762		ADHESIVE SIMBOLO TERRA	1,00			--