



## Electronic Service Manuals

This electronic document is provided as a service to our customers. We do not create the contents of the information contained in this document. Should you have detailed questions pertaining to the information contained in this document, you may contact Michco, or the manufacturer which provided the original information in this electronic deliverable. Michco's only part in this electronic deliverable was the electronic assembly process. By providing this manual on line we are not guaranteeing parts availability.

You may contact Michco through the following methods:

Phone (517) 484-9312 or (800) 331-3339

2011 N. High St. -- Lansing, Michigan -- 48906

Fax: (517) 484-9836

Email: [CustServe@Michco.com](mailto:CustServe@Michco.com)

Web site: [www.Michco.Com](http://www.Michco.Com)

Parts Web site: [www.FloorMachineParts.Com](http://www.FloorMachineParts.Com)

Order Parts on Line at:

**[www.FloorMachineParts.Com](http://www.FloorMachineParts.Com)**

Directly to Parts & Service:

By Email: **[Shop@Michco.com](mailto:Shop@Michco.com)**

By Fax: (517) 702-2041

By Voice: Use numbers above.

**Serving the Cleaning Industry Since 1922**

Notice: All copyrighted material remains property of original owners, all trademarks are property of respective owners. Manuals are subject to Manufacturer's reproduction limitations. Originals or reproductions were provided by manufacturers through a request. We make no warranty as to the correctness of information provided in this document and you assume all risk. By placing these manuals on line we are not declaring our corporation to be an manufacturer authorized dealer or provider, please check our web site for authorized manufacturers we represent.



IPC Integrated Professional Cleaning

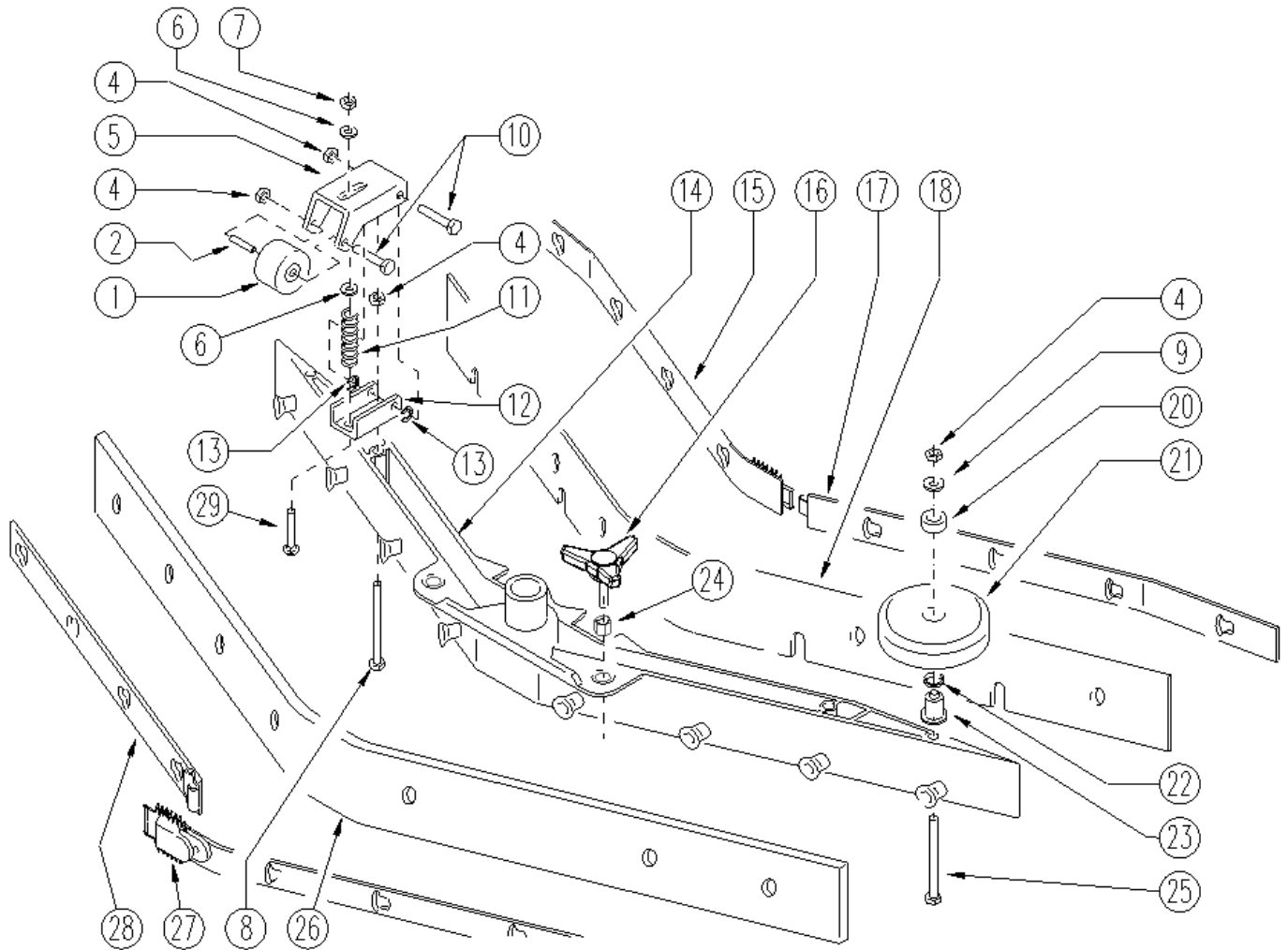
**IPC**Gansow

## **Spare Parts List**

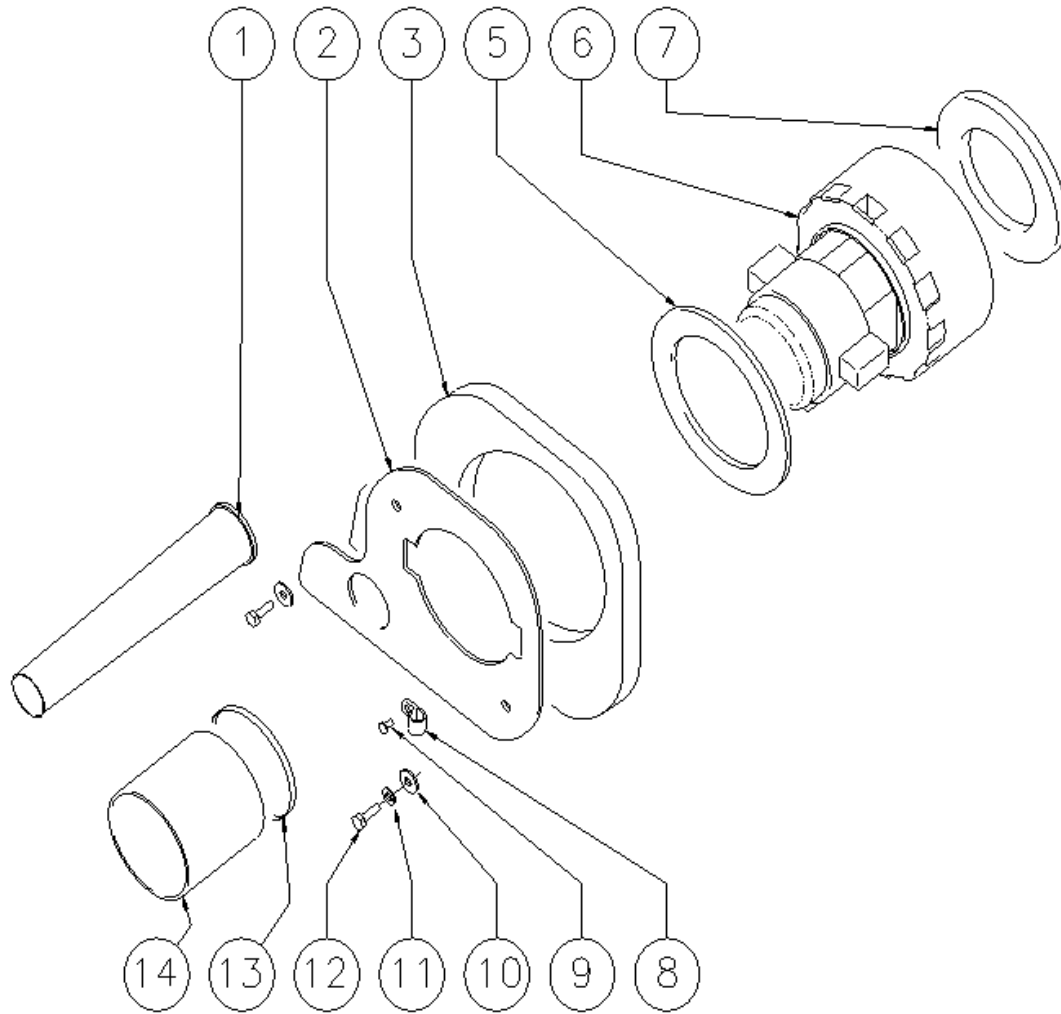
**IPC EAGLE**

**Ref: LPTB02268**

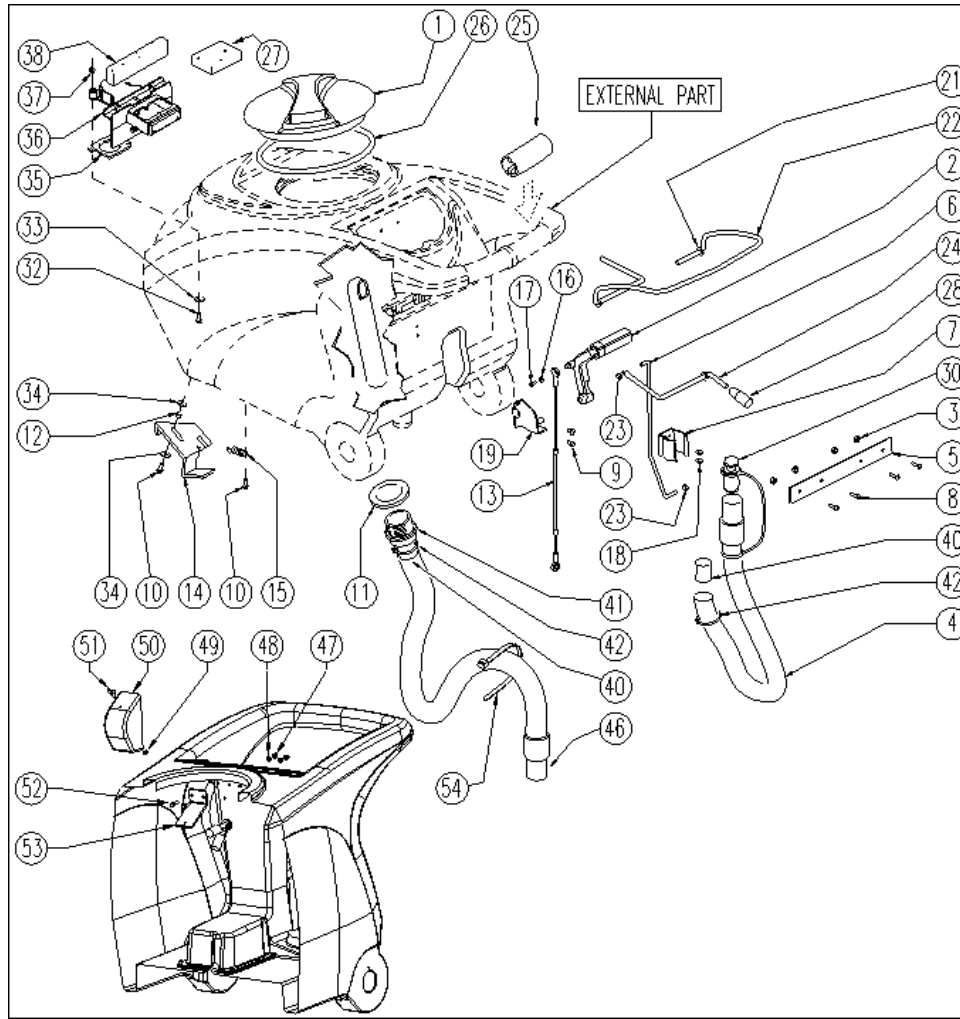
**Model: CLEAN TIME 90 BT70 II°**



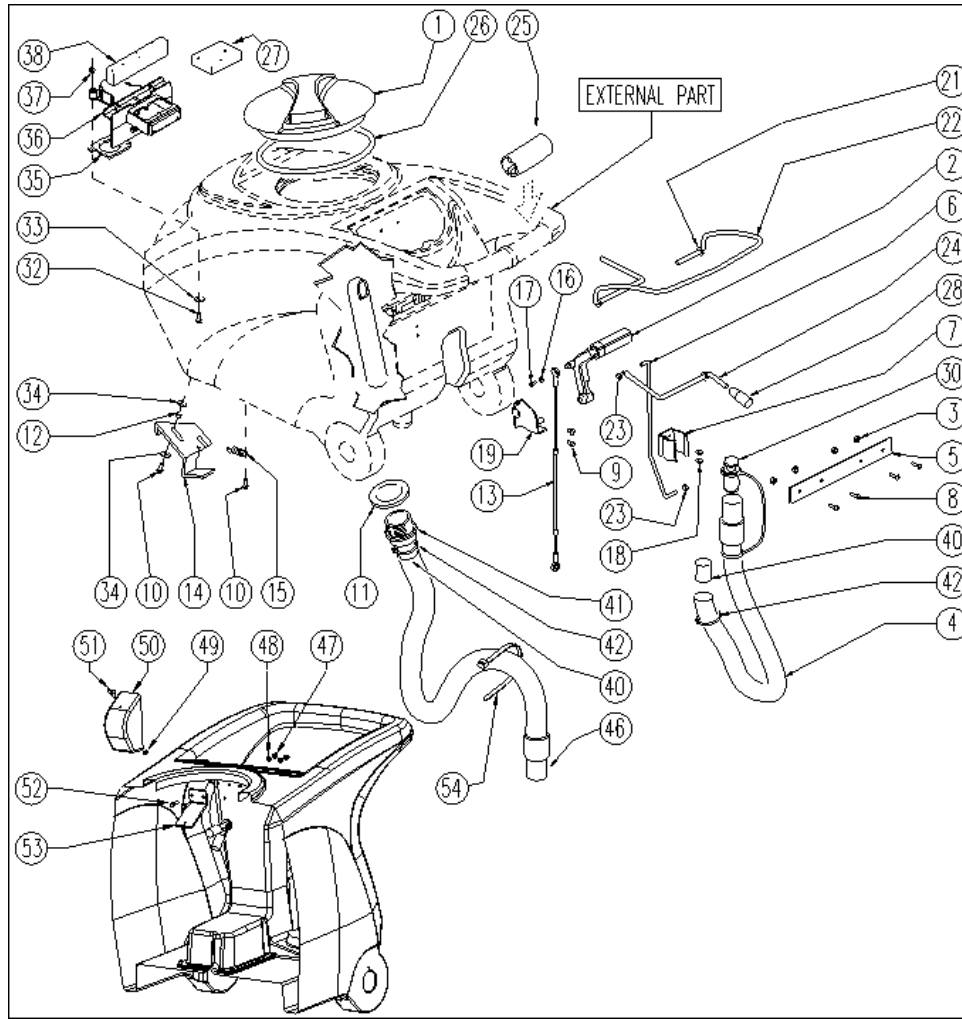
Ref. K	Part N.	Customer Part N.	Description	Qty	Validity:		Price
					From	To	
0001	RTRT49413		WHEEL D. 60-D.15 X36 NYL.	2,00			--
0002	LAFN04041		SPACER D6/15	2,00			--
0004	VTDD01694		NUT M 6 INX	8,00			--
0005	LAFN05559		SUPPORT RUOTINO	2,00			--
0006	VTRS13947		WASHER D. 8 INX UNI 6592	4,00			--
0007	VTDD01695		NUT M 8 INX	2,00			--
0008	VTVT15142		SCREW TE M 6x45 INOX	2,00			--
0009	VTRS00245		WASHER D.6 UNI 6592 INOX	2,00			--
0010	VTVT15515		SCREW TE M 6X 50 INOX A2	4,00			--
0011	MLML49422		SPRING D.15X 45 X1	2,00			--
0012	LAFN51069		BRACKET SUPP.RUOTINO SQUEEGEE	2,00			--
0013	VTAE45707	#8479.90.9498	CIRCLIP D. 6 UNI 7434 INOX	4,00			--
0014	MFVR00140		BODY SQUEEGEE PRESSOFUSO	1,00			--
0015	LAFN51047		LAMINATION BLOCCA LAMA ANTER.SX "L"	1,00			--
0016	MPVR05265		KNOB 8X25	2,00			--
0017	LAFN51046		LAMINATION BLOCCA LAMA ANTER.DX "L"	1,00			--
0018	MPVR48380		RUBBER BLADE LAV. 890	1,00			--
0020	MPVR49229		BUSHING SHK	2,00			--
0021	MPVR05290		ROLLER PARACOLPI	2,00			--
0022	GUGO00164		GASKET	2,00			--
0023	LAFN04100		SPACER PER RUOTINO PARACOLPI	2,00			--
0024	VTVR00022		INSERT FILETTATO ESAGONALE M8	2,00			--
0025	VTVT00841		SCREW TE M. 6-65	2,00			--
0026	MPVR48379		RUBBER BLADE LAV. 890 PARA	1,00			--
0027	LAFN05675		BLADE HOLDER POSTERIORE DX (L)	1,00			--
0028	LAFN05674		BLADE HOLDER POSTERIORE SX (L)	1,00			--
0029	VTVT01304		SCREW M 8X 40 TTQST UNI 5731	2,00			--



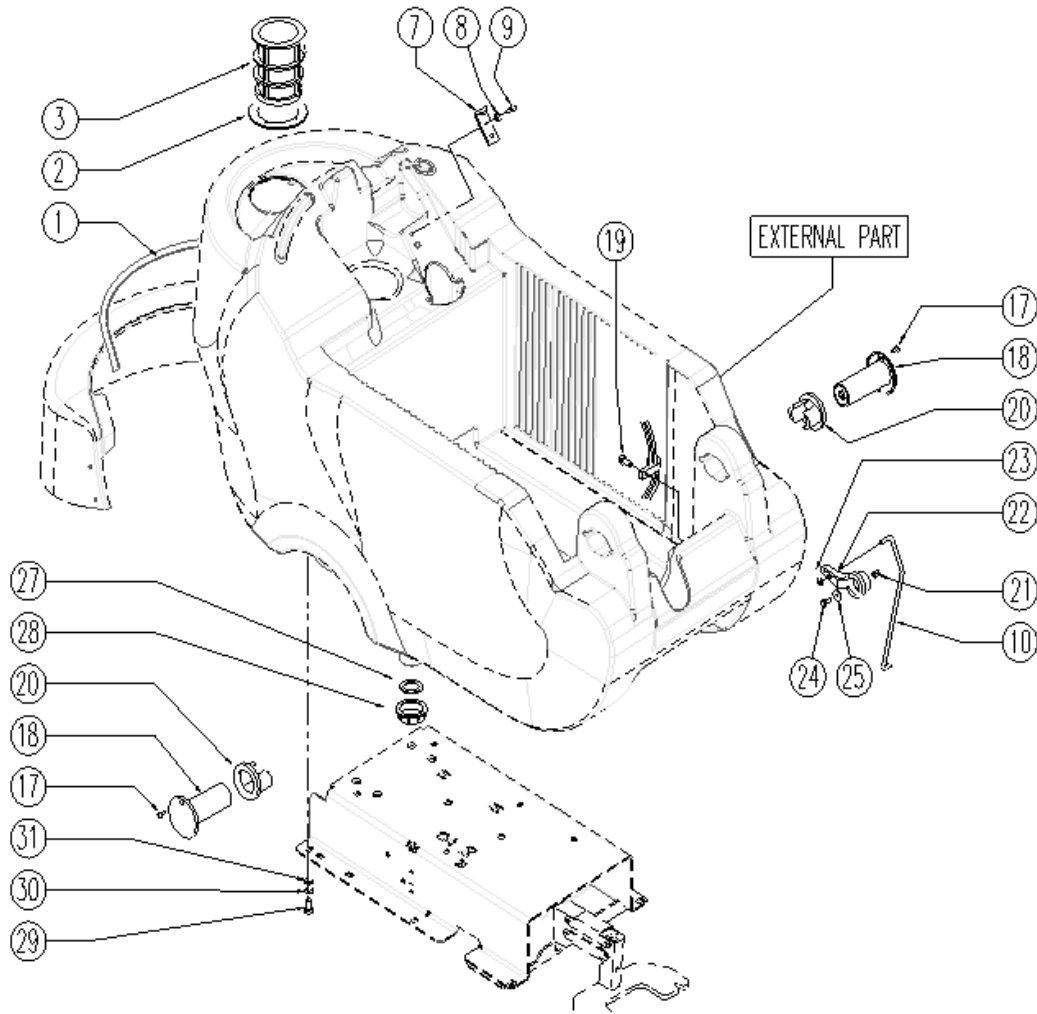
Ref.	K	Part N.	Customer Part N.	Description	Qty	Validity:		Price
						From	To	
0001		MPVR05259		TUBE SCARICO	1,00	06/2007		--
0001		TBFX00244		TUBE D 34 L200MM	1,00		06/2007	--
0002		LAFN06363		FLANGE ASPIRATORE	1,00			--
0003		MPVR05103		SOUND-PROOFING ASPIRATORE	1,00			--
0005		MPVR04724		FLANGE IN NYLON	1,00			--
0006		MEVR05200		CARBON MOTORE ASP.AMET.116599-13	2,00			--
0006		MOCC00253		MOTOR ASPIR.BIST.24V	1,00		11/2008	--
0006		MOCC00349		MOTOR ASPIR.BIST.24V	1,00	11/2008		--
0007		GUGO00272		GASKET	1,00			--
0008		FSVR00099		CLAMP FERMATUBO	1,00			--
0009		VTVT00813		SCREW M 4X 8 TCB-TC UNI 8112	1,00			--
0010		VTRS13945		WASHER D. 6X18 INX UNI 6593	2,00			--
0011		VTRS15144		WASHER D. 6 INX GRW UNI 1751	2,00			--
0012		VTVT15143		SCREW TE 6X16 UNI5739	2,00			--
0013		FSVR00118		CLAMP D.94	1,00	05/2007		--
0013		FSVR00500		CLAMP 80-100 INOX	1,00		04/2007	--
0014		TBFX00268		SUCTION HOSE D80 L=80MM	1,00		04/2007	--
0014		TBFX00312		TUBE ASPIRAZIONE	1,00	05/2007		--



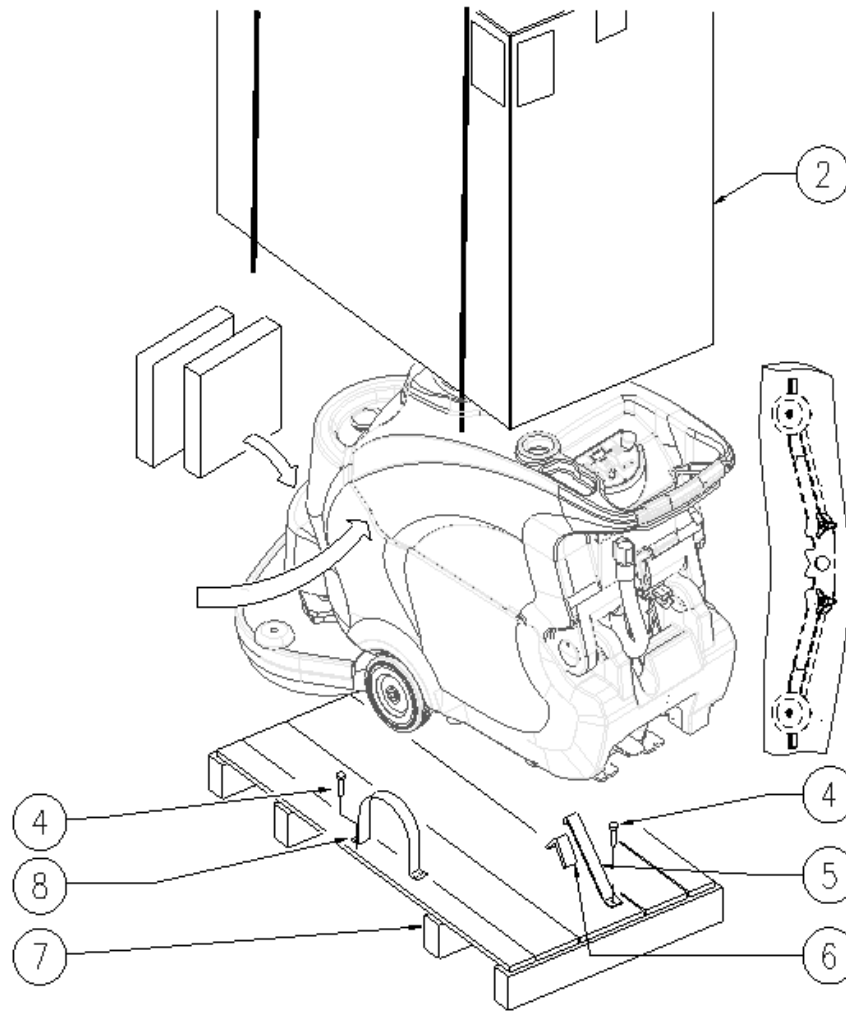
Ref. K	Part N.	Customer Part N.	Description	Qty	Validity:		Price
					From	To	
0001	MPVR04051		TANK CAP	1,00			--
0002	MPVR49942		LEVER SHK PP	1,00			--
0003	VTDD15518		NUT M 6 INX	4,00	04/2009		--
0004	TBBP00405		TUBE SCARICO	1,00		06/2010	--
0004	TBBP00456		TUBE CT40/70	1,00	06/2010	03/2011	--
0004	TBFX00348		TUBE CT40-70-90	1,00	03/2011		--
0005	LAFN05865		PLATE COPRILEVA CONSENSO	1,00			--
0006	LAFN05863	#8479.90.9498	ROD RUBINETTO	1,00			--
0007	MPVR46988		CLIP LAV. SHK	1,00			--
0008	VTVT00651		SCREW TBEI M. 5x16 INOX	4,00	04/2009		--
0008	VTVT07726		SCREW TE 5X20	4,00		04/2009	--
0009	VTVT15906		SCREW TE 6X 12 A2 UNI 5739	2,00			--
0010	VTVT15143		SCREW TE 6X16 UNI5739	3,00			--
0011	GUGO00216		GASKET ACQUA SPORCA	1,00		01/2009	--
0012	LAFN03626		SPACER	2,00			--
0013	CMCV00312		CABLE SOLLEVAMENTO SQUEEGEE	1,00		07/2007	--
0013	CMCV00428		CABLE SQUEEGEE	1,00	07/2007		--
0014	LAFN06849		HANDLE CT 70	1,00			--
0015	MLML00203		SPRING	1,00			--
0016	VTRS00251		WASHER 4-16 INOX A2	1,00			--
0017	VTVT00800		SCREW TC 4X12 ZN	1,00			--
0018	VTVT21096		SCREW TE M 4X 10 INX	2,00			--
0019	LAFN05870		BRACKET LEVA SOLLEVAM. SQUEEGEE	1,00			--
0020	PMVR02012		GROUP TUBO TUBO INT. P197	1,00			--
0021	VTRS13947		WASHER D. 8 INX UNI 6592	2,00			--
0022	LAFN07332		LEVER -	1,00			--
0023	VTDD01694		NUT M 6 INX	2,00			--
0024	LAFN05908		ROD COMANDO RUBINETTO	1,00			--
0025	MPVR05215		KNOB -	2,00			--
0026	GUGO00263		GASKET CIRCOLARE TAPPO	1,00			--
0027	FTDP00133		FILTER	1,00			--
0028	MPVR04146		KNOB IN PVC MOD. 1001 FORO D.6	1,00			--
0029	MPVR04716		RING NUT 1"1/2	1,00			--
0030	MPVR05064		CAP COMPLETO	1,00		06/2010	--
0031	MPVR51086		TUBE INT.SERB.RECUP.	1,00			--
0032	VTVT01139		SCREW TE M.4-25	2,00			--
0033	VTRS00515		WASHER D. 4 INX	2,00			--
0034	VTRS00274		WASHER NYLON 66 D.8,4-17-2 UNI	4,00			--
0035	GUGO00417		GASKET SCATOLA ASPIRAZIONE	1,00			--



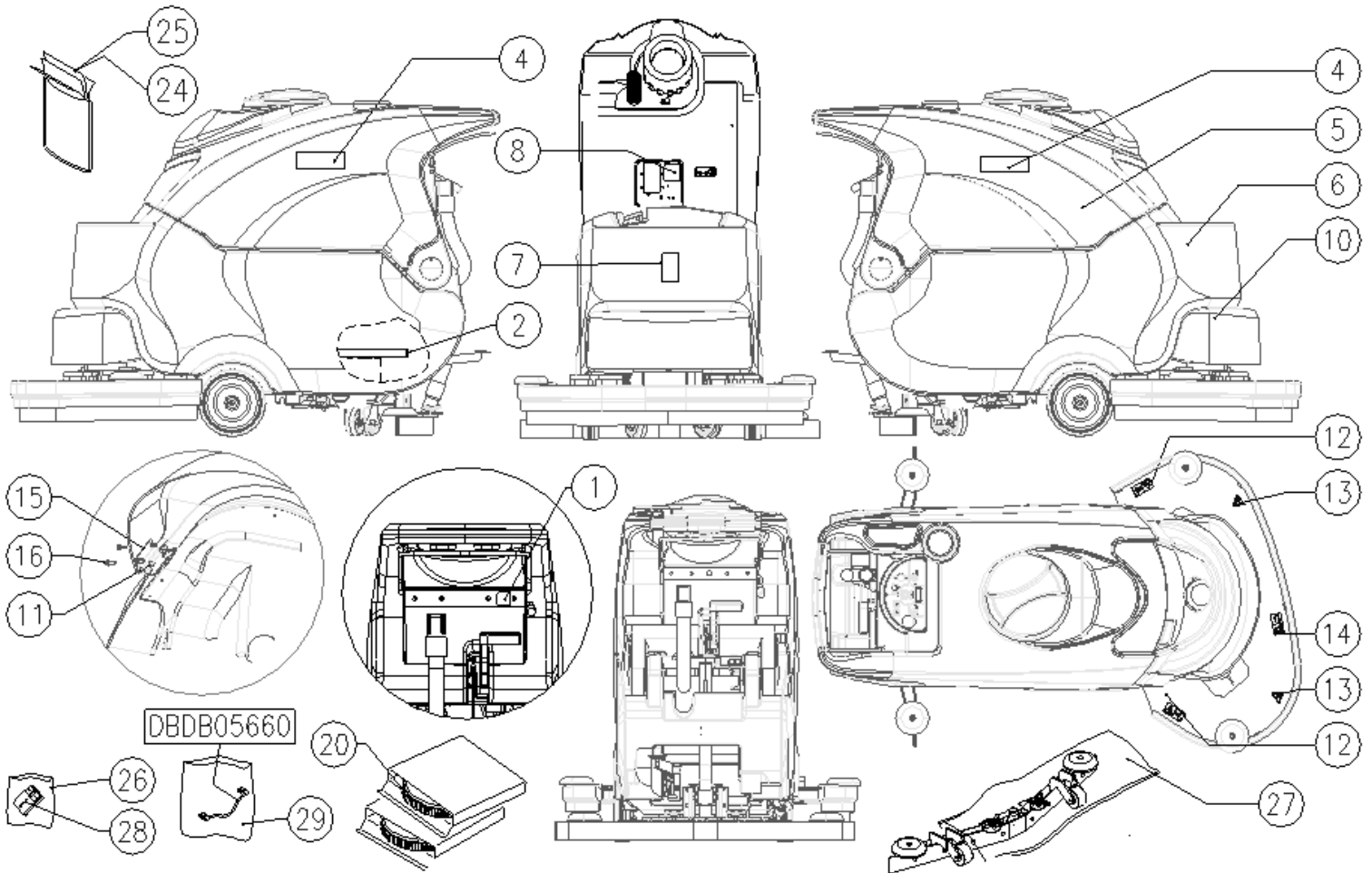
Ref. K	Part N.	Customer Part N.	Description	Qty	Validity:		Price
					From	To	
0036	FTDP00185		BOX ASPIRAZIONE	1,00		01/2009	--
0036	MPVR05482		BOX -	1,00	01/2009		--
0037	VTDD15925		NUT M 4 INX	2,00			--
0038	GUGO00418		GASKET CONDOTTO ASPIRAZIONE	1,00			--
0039	PMVR01129		TUBE C/DEFLETTORE	1,00			--
0040	GUGO00245		GASKET	2,00			--
0041	RCVR00586		CONNECTOR 1/4	1,00		01/2009	--
0042	FSVR43136		CLAMP D. 35-40 DF.	2,00		01/2009	--
0043	MPVR02765		PROTECTION INNESTO FISSAGGIO	1,00			--
0045	MPVR02730		PLATE SIFONE	1,00			--
0046	TBBP00407		TUBE L=990 d.i.350	1,00		01/2009	--
0046	TBBP00453		TUBE TERGI D.40	1,00	02/2009	10/2010	--
0046	TBFX00337		TUBE L=1100	1,00	10/2010		--
0047	VTDD01693		NUT M 5 INX	2,00	04/2009		--
0048	VTRS00516		WASHER D. 5 INX	2,00	04/2008		--
0049	VTVR01038		WASHER -	1,00	04/2009		--
0050	MPVR05596		PROTECTION -	1,00	04/2009		--
0051	VTVT01150		SCREW 4x10	1,00	04/2009		--
0052	VTVT07725		SCREW TE 5X16 UNI5739 INX	2,00	04/2009		--
0053	LAFN07631		BRACKET -	1,00	04/2009		--
0054	FSVR00248		CLAMP -	1,00	10/2010		--



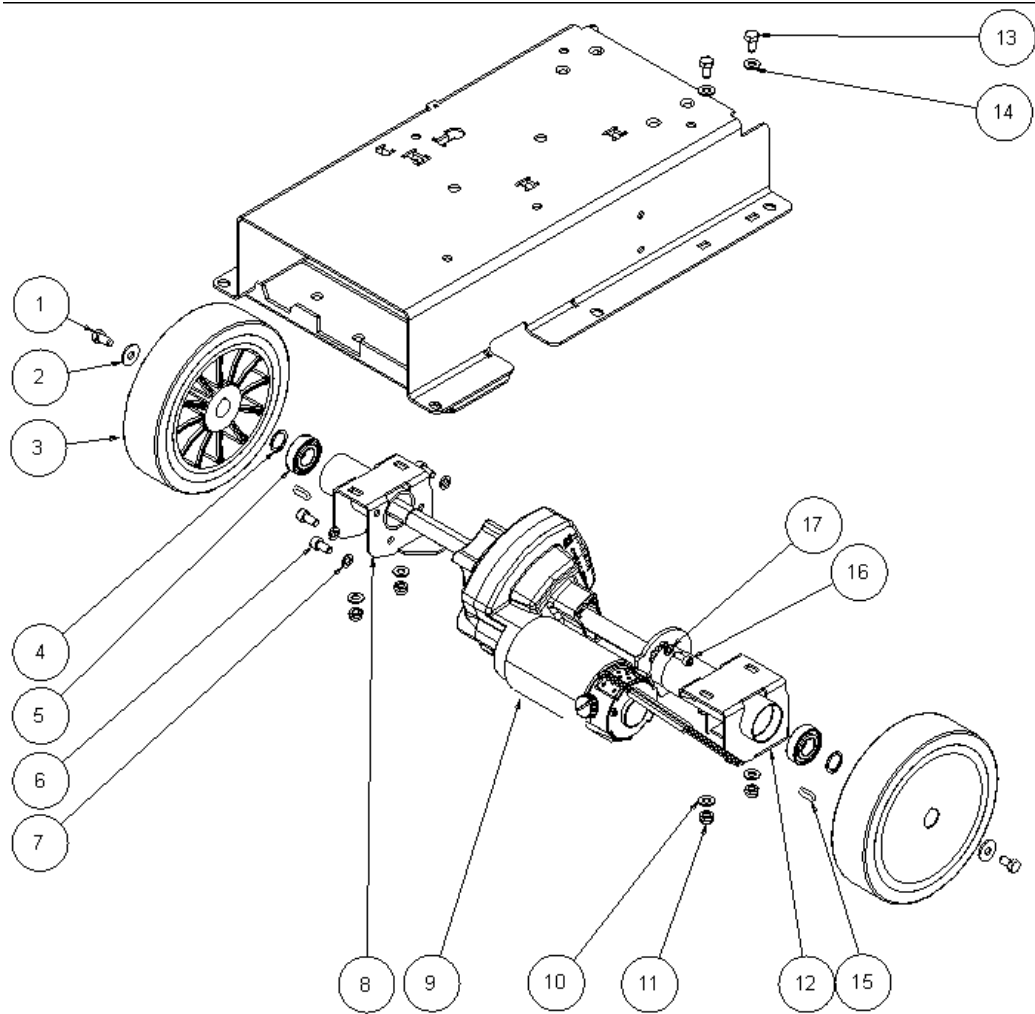
Ref. K	Part N.	Customer Part N.	Description	Qty	Validity:		Price
					From	To	
0001	GUGO00429		GASKET 15X5 L 590	1,00			--
0002	GUGO00267		GASKET FILTRO	1,00			--
0003	FTAC00040		FILTER -	1,00			--
0007	LAFN06489		PLATE	1,00			--
0008	VTRS15144		WASHER D. 6 INX GRW UNI 1751	1,00			--
0009	VTVT01303		SCREW TE M6-10 INOX	1,00			--
0010	LAFN07233		ROD -	1,00			--
0017	VTVT48694		SCREW TCB TC 5 X12 UNI 9707 TZ	2,00			--
0018	MPVR48695		PIN SHK.BK	2,00			--
0019	VTVT15961		SCREW M 5X 16 TCB TC UNI 7687	1,00			--
0020	PMVR02028		RUBBER GRUPPO MONTAGGIO	2,00			--
0021	VTVR48693		INSERT M6 D.9	1,00			--
0022	MPVR49471		LEVER SHK	1,00			--
0024	VTVT15143		SCREW TE 6X16 UNI5739	1,00			--
0025	VTRS13945		WASHER D. 6X18 INX UNI 6593	1,00			--
0027	KTRI03463		CAP SCARICO SERBATOIO SOLUZ.	1,00			--
0028	KTRI03463		CAP SCARICO SERBATOIO SOLUZ.	1,00			--
0029	VTVT15916		SCREW TE M 8X 16 UNI 5739 A2	4,00			--
0030	VTRS00269		WASHER D. 8 DIN 6798-A INX A2	4,00			--
0031	VTRS13947		WASHER D. 8 INX UNI 6592	4,00			--



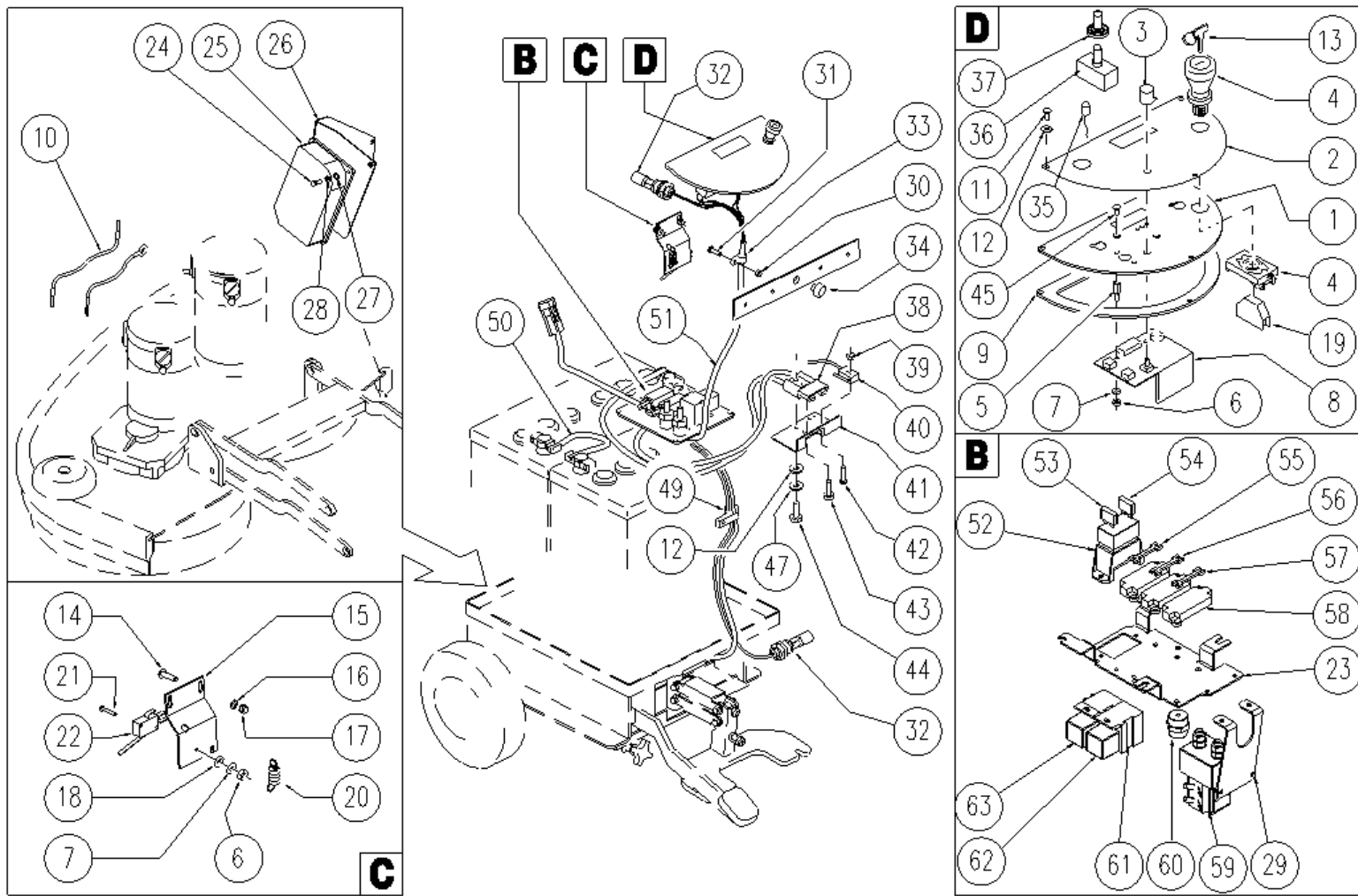
Ref. K	Part N.	Customer Part N.	Description	Qty	Validity:		Price
					From	To	
0002	MICT00197		BOX	1,00			--
0004	VTVT00043		SCREW AUTOF.LEGNO 4,5X25 TS BR	9,00			--
0005	MIVR00137		CLAMP RUOTA POSTERIORE X IMBAL.	1,00			--
0006	GUGO00009		MOUSSE	0,05			--
0007	MIBA00011		PALLET	1,00			--
0008	MIVR00135		CLAMP RUOTA POSTERIORE X IMBAL.	2,00			--



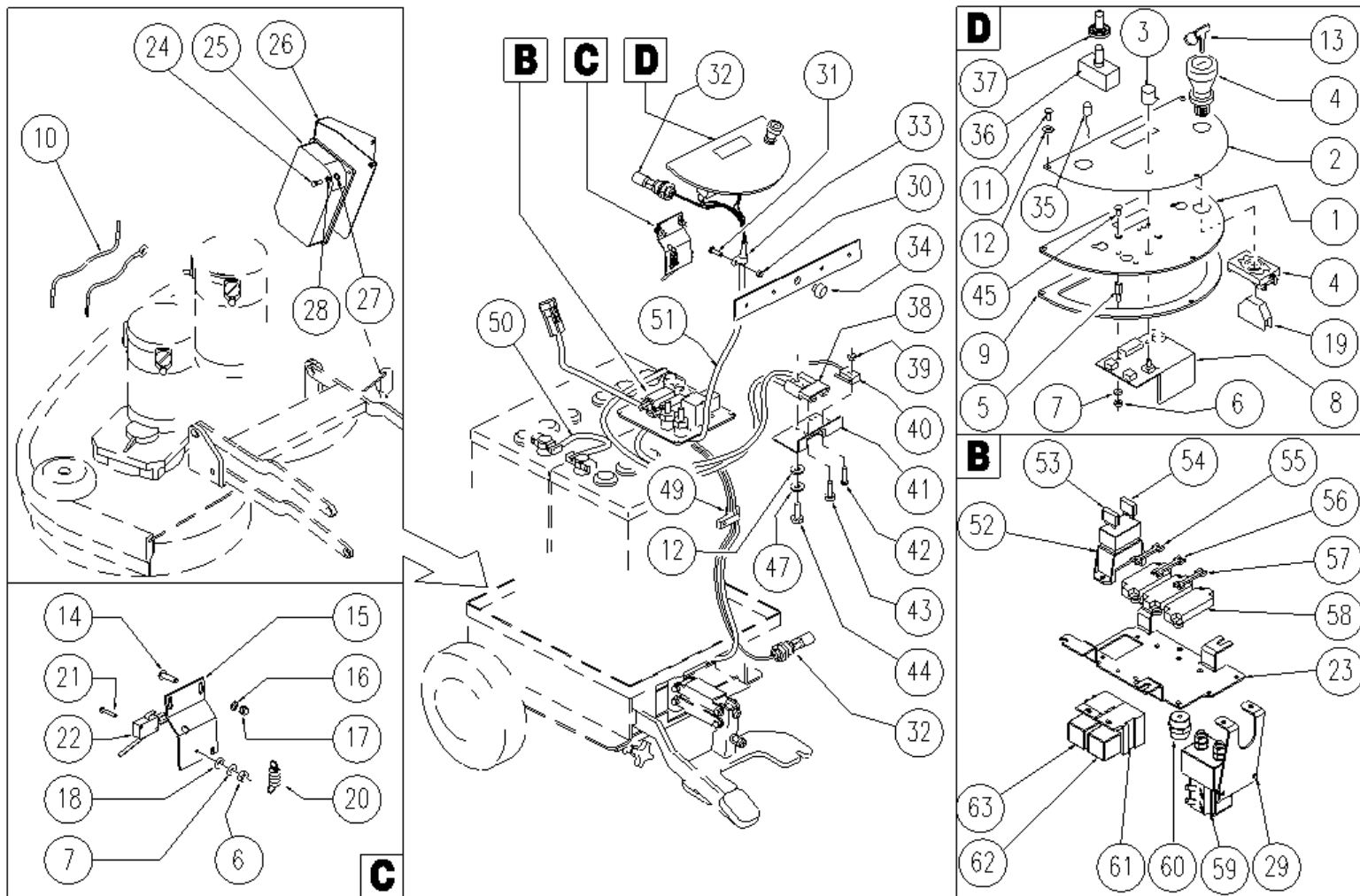
Ref. K	Part N.	Customer Part N.	Description	Qty	Validity:		Price
					From	To	
0001	ETET01447		LABEL	1,00			--
0002	MPVR04985		FRONT PANEL	1,00			--
0004	ETET01491		LABEL LATERALE	2,00			--
0005	MPVR05210		TANK CT85	1,00			--
0006	MPVR05211		TANK "SOLUTION CT90"	1,00			--
0007	ETET01487		LABEL -	1,00			--
0008	ETET00763		LABEL SIMBOLO FUSIBILI	1,00			--
0010	MPVR04984		FRONT PANEL	1,00			--
0011	VTVT07521		SCREW TCB 5X10	4,00			--
0012	ETET00906		ADHESIVE SIMBOLO PERICOLO DI ABRAS	2,00			--
0013	ETET00897		ADHESIVE SIMBOLO PERICOLO	2,00			--
0014	ETET00898		ADHESIVE SIMBOLO SCHIACCIAMENTO	1,00			--
0015	LAFN07247		BRACKET CT90	2,00			--
0016	VTVT15961		SCREW M 5X 16 TCB TC UNI 7687	4,00			--
0020	SPPV47749		BRUSH NYLON 0.8 D.340 BT 7000	2,00			--
0024	PLDC01602		INSTR.MANUAL 40-70-90	1,00			--
0025	PLDC01450		MANUAL RIC. CLT40	1,00			--
0026	MIVR00072		ENVELOPE PLASTICA TRASP.	1,00			--
0027	MIVR00048		TUBE UNIBOL	1,00			--
0028	MEVR01079		PLUG M CB50 A 600V RD.	1,00			--
0029	MIVR00064		ENVELOPE PORTA CABLAGGI	1,00			--



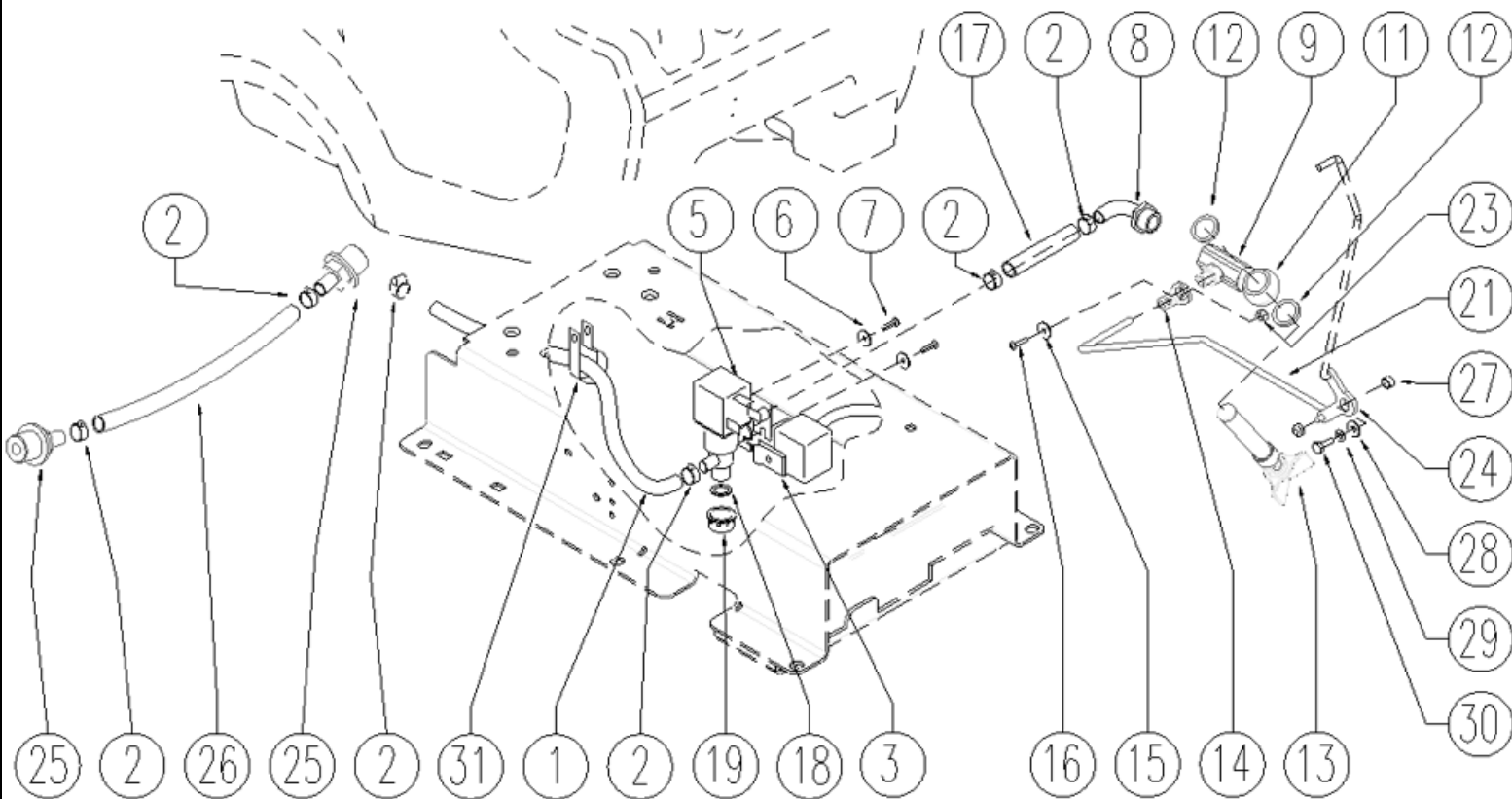
Ref. K	Part N.	Customer Part N.	Description	Qty	Validity:		Price
					From	To	
0001	VTVT15916		SCREW TE M 8X 16 UNI 5739 A2	2,00			--
0002	VTRS13946		WASHER D. 8 X24 INX UNI 6593	2,00			--
0003	RTRT00521		WHEEL -	2,00		01/2010	--
0003	RTRT00524		WHEEL -	2,00	01/2010	05/2010	--
0003	RTRT00529		WHEEL D200	2,00	05/2010		--
0004	VTAE06193		CIRCLIP D. 20 UNI 7435	2,00			--
0005	CUVR19846		BALL BEARING 6004 2RS1	2,00			--
0006	VTVT00876		SCREW TCEI M.8-16	3,00			--
0007	VTRS15146		WASHER D. 8 INX GRW UNI 1751	3,00			--
0008	LAFN07543		SUPPORT -	1,00		03/2011	--
0008	LAFN07811		SUPPORT -	1,00	03/2011		--
0009	MOCC00341		MOTOR 24V	1,00		12/2010	--
0009	MOCC00395		MOTOR	1,00	12/2010		--
0010	VTRS13947		WASHER D. 8 INX UNI 6592	4,00			--
0011	VTDD01695		NUT M 8 INX	4,00			--
0012	LAFN07544		SUPPORT -	1,00		03/2011	--
0012	LAFN07813		SUPPORT -	1,00	03/2011		--
0013	VTVT15916		SCREW TE M 8X 16 UNI 5739 A2	4,00			--
0014	VTRS13947		WASHER D. 8 INX UNI 6592	4,00			--
0015	VTVR33668		KEY 6x 6x40 UNI 6604A	2,00			--
0016	VTVT00717		SCREW TCEI M. 6-16	2,00			--
0017	VTRS15144		WASHER D. 6 INX GRW UNI 1751	2,00			--



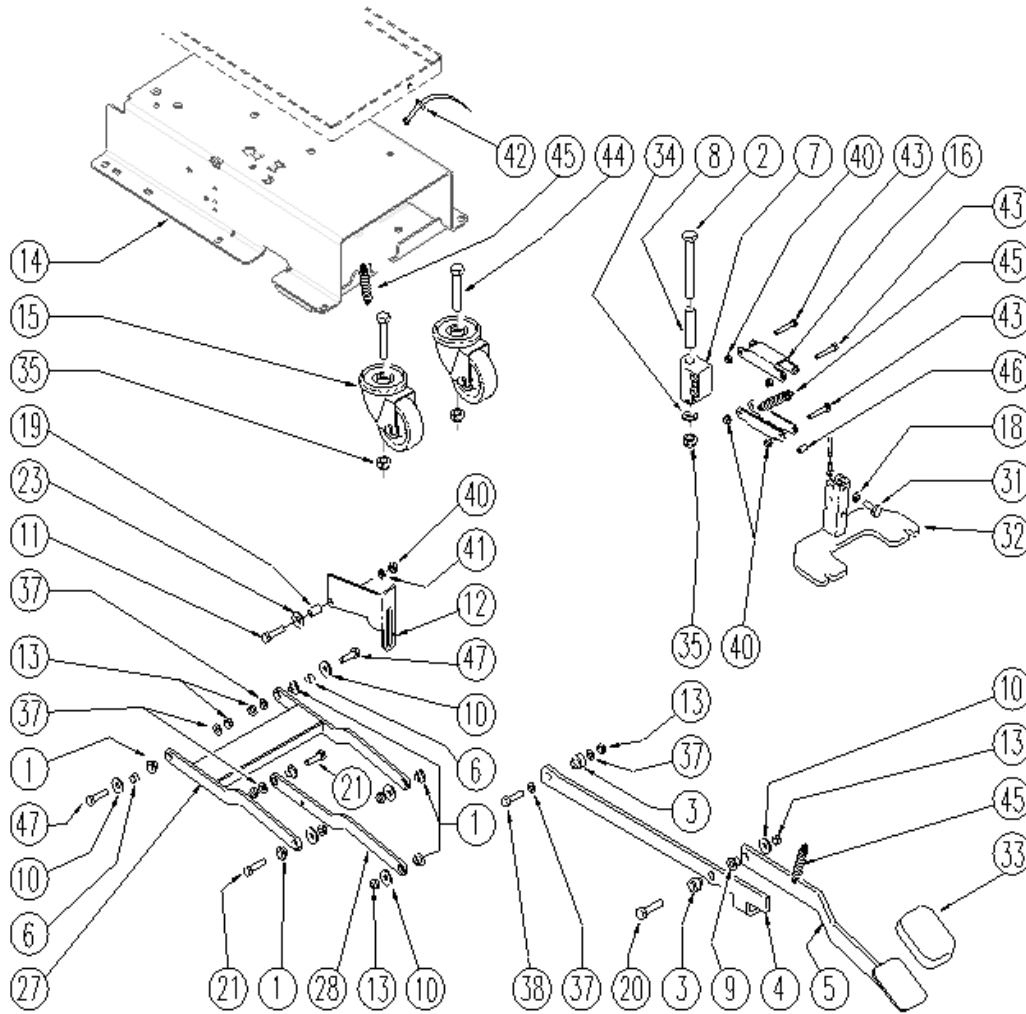
Ref.	K	Part N.	Customer Part N.	Description	Qty	Validity:		Price
						From	To	
0001		LAFN06901		SUPPORT PLANCIA	1,00			--
0002		ETET01606		LABEL -	1,00			--
0003		MEVR01666		KNOB -	1,00			--
0004		MECI00402		BUTTON A FUNGO	1,00			--
0005		VTVR00481		INSERT FILETTATO M6	3,00			--
0006		VTDD21115		NUT M 3 INOX	3,00			--
0007		VTRS00268		WASHER D.3	3,00			--
0008		MECE00489		BOARD CT90	1,00			--
0009		GUGO38417		GASKET PANN.COM.EXTREME	1,00			--
0010		MECB01014		CABLE 6,5mmq	2,00			--
0011		VTVT37012		SCREW M 4X 10 TCB-TC INX	3,00			--
0012		VTRS00515		WASHER D. 4 INX	3,00			--
0013		CHVR00051	#8479.90.9498	DIASSASS.SPANNERPULSANTE FUNGO	1,00			--
0014		VTVT07725		SCREW TE 5X16 UNI5739 INX	2,00			--
0015		LAFN05904		PLATE MICRO LEVA	1,00			--
0016		VTRS00516		WASHER D. 5 INX	2,00			--
0017		VTDD01693		NUT M 5 INX	4,00			--
0018		VTRS21116		WASHER D. 3 INX	2,00			--
0019		MECI00403		CONTACT -	1,00			--
0020		MLML34726		SPRING TR E350 N	1,00			--
0021		VTVT01316		SCREW TC+ M3-16	2,00			--
0022		MECI36393		MICROSWITCH TRZ. DRW	1,00			--
0023		LAFN07460		SUPPORT -	1,00			--
0024		VTVT07725		SCREW TE 5X16 UNI5739 INX	2,00			--
0025		MECE00478		BOARD 24V	1,00			--
0026		LAFN07510		SUPPORT -	1,00			--
0027		VTRS00516		WASHER D. 5 INX	2,00			--
0028		VTRS15908		WASHER D. 5 INX GRW UNI 1751	2,00			--
0029		LAFN07592		BRACKET -	1,00			--
0030		VTDD15925		NUT M 4 INX	1,00			--
0031		VTVT00704		SCREW TE M 4X 16 UNI5739 INOX	1,00			--
0032		MECI00516		SENSOR DI LIVELLO ORIZZONTALE	2,00			--
0033		FSVR00099		CLAMP FERMATUBO	1,00			--
0034		MPVR00043		CAP CHIUS.FORO PORTAFUS.L 15	1,00			--
0035		MEVR01974		LED -	1,00			--
0036		MECI30499		SWITCH 10A - 250VAC	1,00			--
0037		MEVR01975		RUBBER DEVIATORE	1,00			--
0038		MEVR01707		CONNECTOR -	1,00			--
0039		VTDD08634		NUT M2	2,00			--



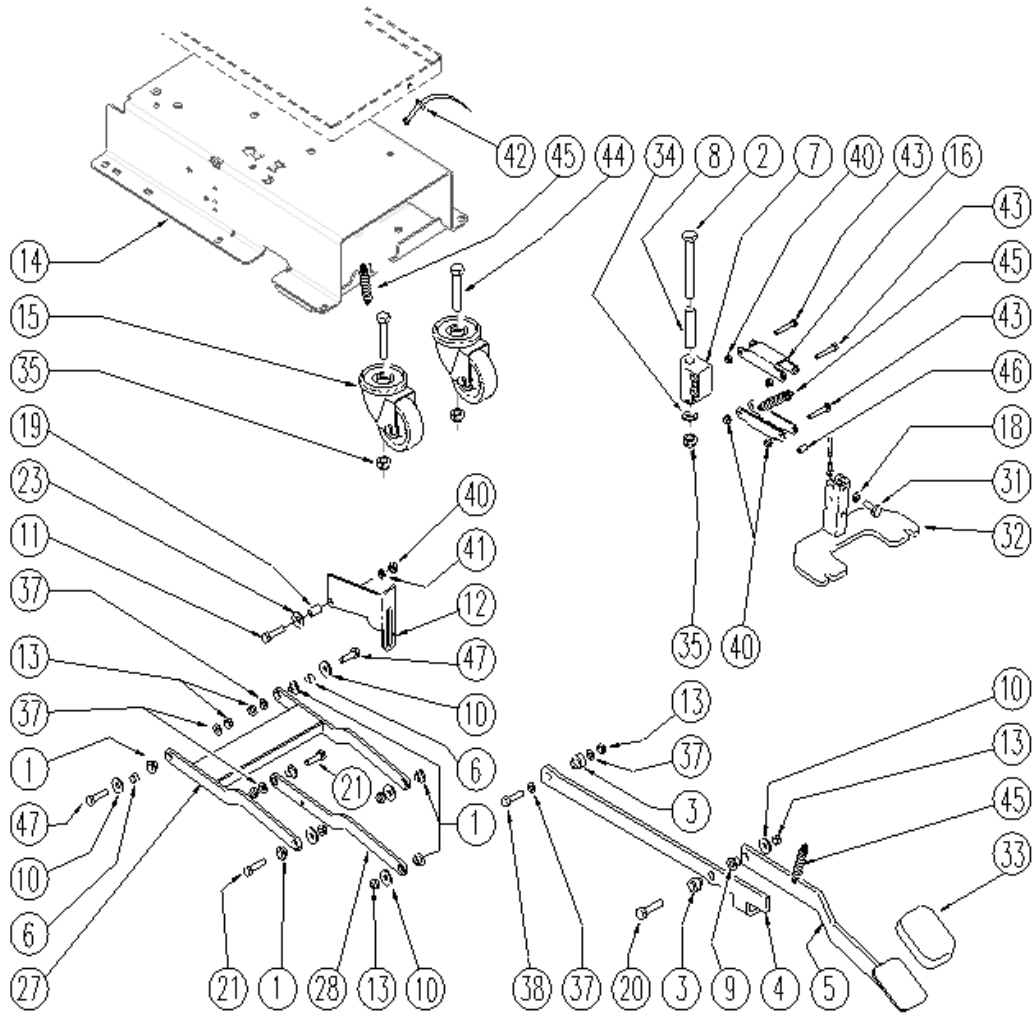
Ref.	K	Part N.	Customer Part N.	Description	Qty	Validity:		Price
						From	To	
0040		MECI00334		MICROSWITCH V4	1,00			--
0041		LAFN06409		SUPPORT -	1,00			--
0042		VTVT00671		SCREW TC- M.2-16 OTTONE	2,00			--
0043		VTVT00872		SCREW TSP+ 2.9X13 AUTOFIL. INOX	1,00			--
0044		VTVT00814		SCREW TE M.4-25	2,00			--
0045		VTVT00865		SCREW TSP-TC M 3X 6 UNI7688 INX	3,00			--
0047		VTRS15913		WASHER D. 4 GROVER A2 UNI1751	2,00			--
0049		FSVR00099		CLAMP FERMATUBO	2,00		12/2009	--
0049		FSVR00244		CLAMP -	1,00	12/2009		--
0050		MEVR34820		WIRING B 450 BT	3,00			--
0051		MECB01111		WIRING	1,00			--
0052		MEVR00030		FUSE-HOLDER 4 VIE COPERCHIO TRAS.	1,00			--
0053		MEVR01428		FUSE A LAMA 2 A. UNIVAL	1,00			--
0054		MEVR01428		FUSE A LAMA 2 A. UNIVAL	1,00			--
0055		MEVR00604		FUSE	1,00			--
0056		MEVR02887		FUSE 40A NST.	1,00			--
0057		MEVR00604		FUSE	1,00			--
0058		MEVR31036		FUSE-HOLDER	3,00			--
0059		MECI00532		CONTACTOR 24V-100A	1,00			--
0060		MEVR44054		INSULATOR M6 20-CH17	1,00			--
0061		METT00053		BLOCK PORTA RELE'	2,00			--
0062		MERL00006		SWITCH RELAY R502 024 H3M 1NO 80A	1,00			--
0063		MERL00006		SWITCH RELAY R502 024 H3M 1NO 80A	1,00			--



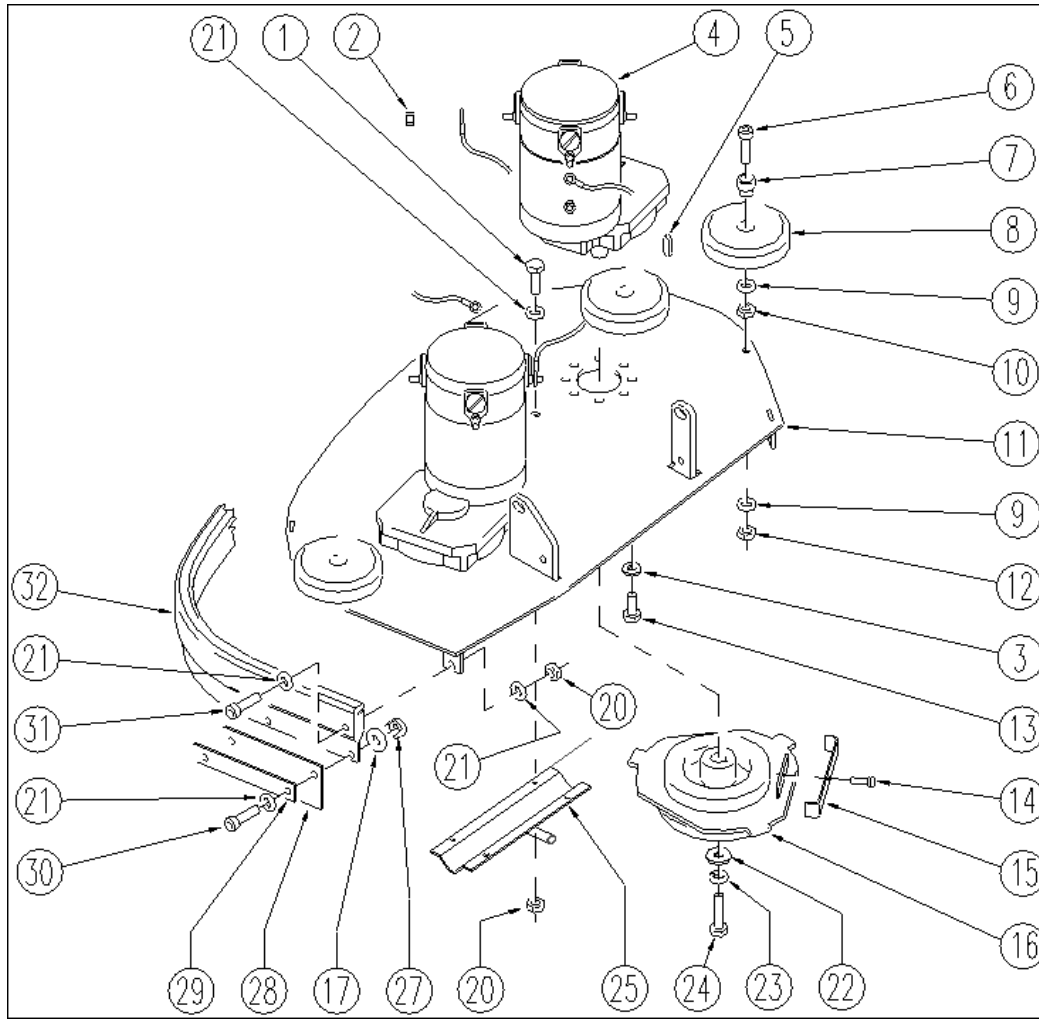
Ref. K	Part N.	Customer Part N.	Description	Qty	Validity:		Price
					From	To	
0001	TBFX00308		TUBE L=580MM	1,00			--
0002	FSVR00091		CLAMP 14-24	4,00			--
0003	MLML00002		SPRING PRESTOLA DOPPIA 8P	2,00			--
0005	MEEV00018		SOLENOID VALVE	1,00			--
0006	VTRS00516		WASHER D. 5 INX	2,00			--
0007	VTVT48694		SCREW TCB TC 5 X12 UNI 9707 TZ	2,00			--
0008	RCVR00542		CURVED CONNECT.M G1/2 PORTAG. 113-2213	1,00			--
0009	RCGR00065		TAP F/F 1/2"	1,00			--
0011	RCDS49622		CONNECTOR OCC 1/2 - 1/2M	1,00			--
0012	VTRS00567		WASHER 1/2	2,00			--
0013	MPVR05221		FILTER COMPLETO	1,00			--
0014	LAFN05902		LEVER RUBINETTO	1,00			--
0015	VTRS00251		WASHER 4-16 INOX A2	1,00			--
0016	VTVT01316		SCREW TC+ M3-16	1,00			--
0017	TBFX00310		TUBE TUBO FLEX SPIR. D.12X3	1,00			--
0018	GUGO00268		GASKET D.21 SP.3 GOMMA	1,00			--
0019	RCVR00353		CAP 1/2"G X ELETTROV. ACL	1,00			--
0021	LAFN06424		LEVER -	1,00			--
0023	VTDD01694		NUT M 6 INX	2,00			--
0024	LAFN06423		LEVER -	1,00			--
0025	RCVR00742		CONNECTOR 3/4"M	2,00			--
0026	TBBP00343		TUBE L=370	1,00			--
0027	LAFN41600		SPACER D. 6.5-12 L= 6 OT	1,00			--
0028	VTRS13945		WASHER D. 6X18 INX UNI 6593	1,00			--
0029	VTRS15144		WASHER D. 6 INX GRW UNI 1751	1,00			--
0030	VTVT15906		SCREW TE 6X 12 A2 UNI 5739	1,00			--
0031	FSVR00032		CLAMP	1,00			--



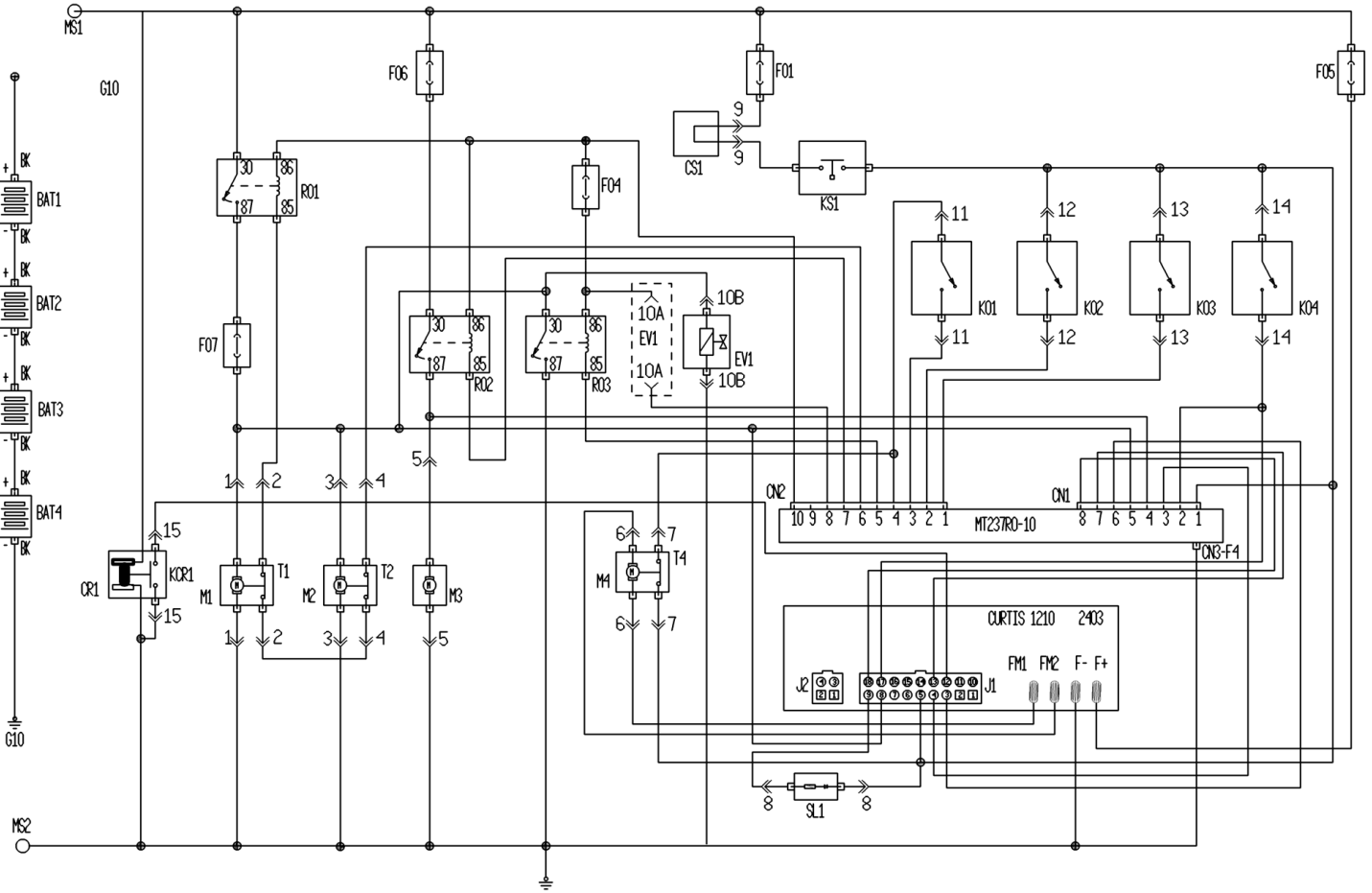
Ref.	K	Part N.	Customer Part N.	Description	Qty	Validity:	To	Price
						From		
0001		LAFN06391		BUSHING PARALLELOGRAMMA	6,00			--
0002		VTVT00394		SCREW M12X80 A2 UNI5737	1,00			--
0003		LAFN04190		BUSHING PARALLELOGR.TEST.GR.	2,00			--
0004		LAFN07593		BRACKET -	1,00			--
0005		LAFN07555		LEVER -	1,00			--
0006		RCDS34717		BUSHING D. 9X12X 8.3	2,00			--
0007		MPVR04734		BLOCK TERGI	1,00			--
0008		LAFN04188		PIN ROTAZIONE SQUEEGEE	1,00			--
0009		LAFN51068	#8479.90.9498	BUSHING LEVA POSTER.	1,00			--
0010		VTRS13946		WASHER D. 8 X24 INX UNI 6593	6,00			--
0011		VTVT00161		SCREW TE M6X20	1,00			--
0012		LAFN10124		PLATE -	1,00			--
0013		VTDD01695		NUT M 8 INX	7,00			--
0014		LAFN06422		FRAME -	1,00			--
0015		RTRT00518		WHEEL D.80	2,00			--
0016		LAFN05853		LEVER ARM SOLLEVAMENTO TERGI	2,00			--
0018		VTDD15521		NUT M 8 INX A2 UNI 5588	1,00			--
0019		LAFN03840		BUSHING -	1,00			--
0020		VTVT15917		SCREW TE M 8X50 INOX A2 UNI	1,00			--
0021		VTVT15907		SCREW TE 8X25 UNI5739 INX	4,00			--
0023		VTRS00274		WASHER NYLON 66 D.8,4-17-2 UNI	1,00			--
0026		VTDD15925		NUT M 4 INX	1,00			--
0027		LAFN07563		ARM -	1,00			--
0028		LAFN06389		ARM PARALLELOGRAMMA	1,00			--
0031		VTVT13937		SCREW TE M 8X 30 INX UNI 5739	1,00			--
0032		LAFN07533		PLATE -	1,00		04/2009	--
0032		LAFN07560		PLATE -	1,00	04/2009		--
0033		MPVR05186		COVER -	1,00			--
0034		VTRS00312		WASHER D.13 x24 INOX	1,00			--
0035		VTDD00176		NUT M.12 INOX A2 BASSO AUTOB.	3,00			--
0037		VTRS13947		WASHER D. 8 INX UNI 6592	4,00			--
0038		VTVT00429		SCREW TE M 8X 40 INX UNI 5737	1,00			--
0040		VTDD01694		NUT M 6 INX	5,00			--
0041		VTRS00245		WASHER D.6 UNI 6592 INOX	1,00			--
0042		FSVR00245		CLAMP 20/30	1,00			--
0043		VTVT01683		SCREW TE 6X40	4,00			--
0044		VTVT00995		SCREW TE M12X40	2,00			--
0045		MLML00303		SPRING REGISTRAZIONE FLAP	3,00			--
0046		LAFN06898		SPACER 6-8 h15	1,00			--



Ref.	K	Part N.	Customer Part N.	Description	Qty	Validity:		Price
						From	To	
0047		VTVT13937		SCREW TE M 8X 30 INX UNI 5739	2,00			--
0051		VTVT00822		SCREW TCEI M 8-30	1,00			--



Ref. K	Part N.	Customer Part N.	Description	Qty	Validity:		Price
					From	To	
0001	VTVT15143		SCREW TE 6X16 UNI5739	4,00			--
0002	VTDD13942		NUT M 6 UNI 5587 INX	4,00			--
0003	VTRS15144		WASHER D. 6 INX GRW UNI 1751	18,00			--
0004	MOCC00328		MOTOR -	2,00			--
0004	MOCC00344		BRUSH -	4,00			--
0005	VTVR21944		KEY 6X6X30	2,00			--
0006	VTVT00775		SCREW TCEI M 8X40 ZC.BK UNI5931	2,00		06/2009	--
0006	VTVT06241		CARRYNG BAG	3,00	06/2009		--
0007	LAFN03915		BUSHING NUOVO RUOTINO STRONG	3,00			--
0008	MPVR05290		ROLLER PARACOLPI	3,00			--
0009	VTRS13947		WASHER D. 8 INX UNI 6592	6,00			--
0010	VTDD15521		NUT M 8 INX A2 UNI 5588	3,00			--
0011	LAFN06723		PLATE -	1,00			--
0012	VTDD01695		NUT M 8 INX	3,00			--
0013	VTVT15906		SCREW TE 6X 12 A2 UNI 5739	14,00			--
0014	VTVT21887		SCREW TCB-TC 4X10 8112	2,00			--
0015	MLML00231		SPRING ANTISGANCIO 85 X FLANGIA	2,00			--
0016	MFVR00133		FLANGE TRASC. SPAZZOLA	2,00			--
0017	MPVR35582		RUBBER LAV.	8,00			--
0020	VTDD15518		NUT M 6 INX	9,00			--
0021	VTRS13945		WASHER D. 6X18 INX UNI 6593	22,00			--
0022	VTRS13946		WASHER D. 8 X24 INX UNI 6593	2,00			--
0023	VTRS15146		WASHER D. 8 INX GRW UNI 1751	2,00			--
0024	VTVT13938		SCREW TE 8X20 UNI5739 INX	2,00			--
0025	LAFN07236		DISTRIBUTOR 70	1,00			--
0027	VTDD00175		NUT M.6 TONDO FILET.4 PUNTE	8,00			--
0028	MPVR04746		FLAP 355X63 sp.4	2,00			--
0029	MPVR05207		SHEET METAL PA.FLAP	2,00			--
0030	VTVT15143		SCREW TE 6X16 UNI5739	8,00			--
0031	VTVT00392		SCREW M6x35 UNI5739 inox	5,00			--
0032	MPVR05232		BUMPER -	1,00			--



Ref. K	Part N.	Customer Part N.	Description	Qty	Validity:		Price
					From	To	
CR1	MECI00334		MICROSWITCH V4	1,00			--
EV1	MEEV00018		SOLENOID VALVE	1,00			--
KCR1	MOCC00328		MOTOR -	1,00			--
KS1	MECI00323		BUTTON FUNGO	1,00			--
M1	MOCC00328		MOTOR -	1,00			--
M2	MOCC00328		MOTOR -	1,00			--
M3	MOCC00349		MOTOR ASPIR.BIST.24V	1,00			--
M4	MOCC00341		MOTOR 24V	1,00			--
R01	MECI00532		CONTACTOR 24V-100A	1,00			--
SL1	MEVR01974		LED -	1,00			--

COMPONENTI			
F01	FUSIBILE CURTIS/MITEC (1ano)	K04	SELETTOR MARCIA AVANTI INDIETRO (N.O. MARCIA AVANTI)
F04	FUSIBILE E.V. H2O + SCANCIO SPAZZOLE (1ano)	M1	MOTORE SPAZZOLA -1
F05	FUSIBILE SCHEDA CURTIS POTENZA	M2	MOTORE SPAZZOLA -2
F06	FUSIBILE ASPIRATORE POTENZA	M3	MOTORE ASPIRATORE
F07	FUSIBILE SPAZZOLE POTENZA	M4	MOTORE TRAZIONE
R01	TELERUTTORE SPAZZOLE	T1	TERMICA MOTORE SPAZZOLA -1
R02	RELE' ASPIRATORE	T2	TERMICA MOTORE SPAZZOLA -2
R03	RELE' SCANCIO SPAZZOLE	T4	TERMICA MOTORE TRAZIONE
EV1	ELETTROVALVOLA H2O	CR1	SPINA ANDERSON RICARICA BATTERIE
KS1	CHIAVE AVVIAMENTO	K0R1	MICRO SICUREZZA C.B. ESTERNO
CS1	CONNETTORE SICUREZZA C.B. INTERNO	SL1	STATUS LED CURTIS
K01	LEVA SPAZZOLE / MICRO SEGGIOLINO (N.O.)		
K02	LIVELLO TROPPO PIENO (N.O.)		
K03	LIVELLO MINIMO SERBATOIO (N.O.)		

CONNETTORI			
MS1	MORSETTO BATTERIA POSITIVO	12	CONN. LIVELLO TROPPO PIENO
MS2	MORSETTO BATTERIA NEGATIVO	13	CONN. LIVELLO MINIMO
1	CONN. MOTORE SPAZZOLA -1	14	CONN. SELETTOR MARCIA
2	CONN. TERMICA MOTORE SPAZZOLA -1	15	CONN. MICRO C.B. ESTERNO
3	CONN. MOTORE SPAZZOLA -2	CN1	CONN. 1 SCHEDA ELETTRONICA
4	CONN. TERMICA MOTORE SPAZZOLA -2	CN2	CONN. 2 SCHEDE ELETTRONICA
5	CONN. MOTORE ASPIRAZIONE	CN1-F4	CONN. MASSA SCHEDE ELETTRONICA
6	CONN. MOTORE TRAZIONE	J1	CONN. CONTROLLO CURTIS
7	CONN. TERMICA MOTORE TRAZIONE	FM1	CONN.FASTON MOTORE 1 CURTIS
8	CONN. LED CURTIS	FM2	CONN.FASTON MOTORE 2 CURTIS
9	CONN. SICUREZZA C.B. INTERNO	F+	CONN.FASTON POSITIVO BATTERIA CURTIS
10A	CONN. E.V. H2O DA SCHEDE ELETTRONICA	F-	CONN.FASTON NEGATIVO BATTERIA CURTIS
10B	CONN. E.V. H2O DA MOTORE SPAZZOLE		
11	CONN. LEVA SPAZZ. MICRO SEGGIOLINO		

COMPONENTS			
F01	FUSE CURTIS/MITEC	K04	DIRECTION SWITCH (N.O. FORWARD)
F04	FUSE H2O VALVE + BRUSH DISCONNECTION	M1	BRUSH MOTOR-1
F05	FUSE CURTIS POWER CARD	M2	BRUSH MOTOR-2
F06	VACUUM MOTOR FUSE	M3	VACUUM MOTOR
F07	FUSIBILE SPAZZOLE POTENZA	M4	TRACTION MOTOR
R01	BRUSH CONTACTOR	T1	THERMAL SENSOR BRUSH-1
R02	VACUUM RELAY	T2	THERMAL SENSOR BRUSH-2
R03	BRUSH DISCONNECTION RELAY	T4	THERMAL SENSOR TRACTION MOTOR
EV1	H2O VALVE	CR1	ANDERSON PLUG BATTERY CHARGER
KS1	KEY SWITCH	K0R1	EXTERNAL CHARGER SAFETY SWITCH
CS1	ON BOARD CHARGER SAFETY SWITCH	SL1	STATUS LED CURTIS
K01	HANDLE LEVER SWITCH		
K02	RECOVERY TANK SWITCH		
K03	SOLUTION TANK SWITCH		

CONNECTORS			
MS1	BATTERY PLUG +	12	RECOVERY TANK SWITCH CONNECTOR
MS2	BATTERY PLUG -	13	SOLUTION TANK SWITCH CONNECTOR
1	BRUSH MOTOR CONNECTOR-1	14	DIRECTION SWITCH CONNECTOR
2	THERMAL BRUSH MOTOR CONNECTOR-1	15	EXTERNAL CHARGER SWITCH CONNECTOR
3	BRUSH MOTOR CONNECTOR-2	CN1	ELECTRONIC CARD CONNECTOR
4	THERMAL BRUSH MOTOR CONNECTOR-2	CN2	ELECTRONIC CARD CONNECTOR
5	VACUUM MOTOR CONNECTOR	CN1-F4	GROUND CONNECTION
6	TRACTION MOTOR CONNECTOR	J1	CURTIS CARD CONNECTOR
7	THERMAL TRACTION MOTOR CONNECTOR	FM1	TRACTION MOTOR CONNECTOR ON CURTIS
8	CONN. LED CURTIS	FM2	TRACTION MOTOR CONNECTOR ON CURTIS
9	ON BOARD CHARGER SAFETY CONNECTOR	F+	CURTIS CONNECTION +24V
10A	CONN. H2O VALVE FROM ELECTRONIC CARD	F-	CURTIS CONNECTION GND
10B	CONN. H2O VALVE FROM BRUSH MOTOR		
11	HANDLE LEVER SWITCH CONNECTOR		

Ref.	K	Part N.	Customer Part N.	Description	Qty	Validity: From To	Price
CR1		MECI00334		MICROSWITCH V4	1,00		--
EV1		MEEV00018		SOLENOID VALVE	1,00		--
KCR1		MOCC00328		MOTOR -	1,00		--
KS1		MECI00323		BUTTON FUNGO	1,00		--
M1		MOCC00328		MOTOR -	1,00		--
M2		MOCC00328		MOTOR -	1,00		--
M3		MOCC00349		MOTOR ASPIR.BIST.24V	1,00		--
M4		MOCC00341		MOTOR 24V	1,00		--
R01		MECI00532		CONTACTOR 24V-100A	1,00		--
SL1		MEVR01974		LED -	1,00		--