



Electronic Service Manuals

This electronic document is provided as a service to our customers. We do not create the contents of the information contained in this document. Should you have detailed questions pertaining to the information contained in this document, you may contact Michco, or the manufacturer which provided the original information in this electronic deliverable. Michco's only part in this electronic deliverable was the electronic assembly process. By providing this manual on line we are not guaranteeing parts availability.

You may contact Michco through the following methods:

Phone (517) 484-9312 or (800) 331-3339

2011 N. High St. -- Lansing, Michigan -- 48906

Fax: (517) 484-9836

Email: CustServe@Michco.com

Web site: www.Michco.Com

Parts Web site: www.FloorMachineParts.Com

Order Parts on Line at:

www.FloorMachineParts.Com

Directly to Parts & Service:

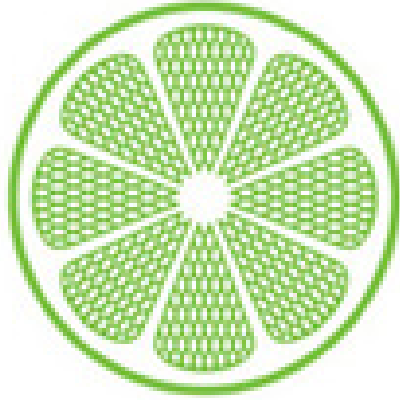
By Email: **Shop@Michco.com**

By Fax: (517) 702-2041

By Voice: Use numbers above.

Serving the Cleaning Industry Since 1922

Notice: All copyrighted material remains property of original owners, all trademarks are property of respective owners. Manuals are subject to Manufacturer's reproduction limitations. Originals or reproductions were provided by manufacturers through a request. We make no warranty as to the correctness of information provided in this document and you assume all risk. By placing these manuals on line we are not declaring our corporation to be an manufacturer authorized dealer or provider, please check our web site for authorized manufacturers we represent.



IPC Integrated Professional Cleaning

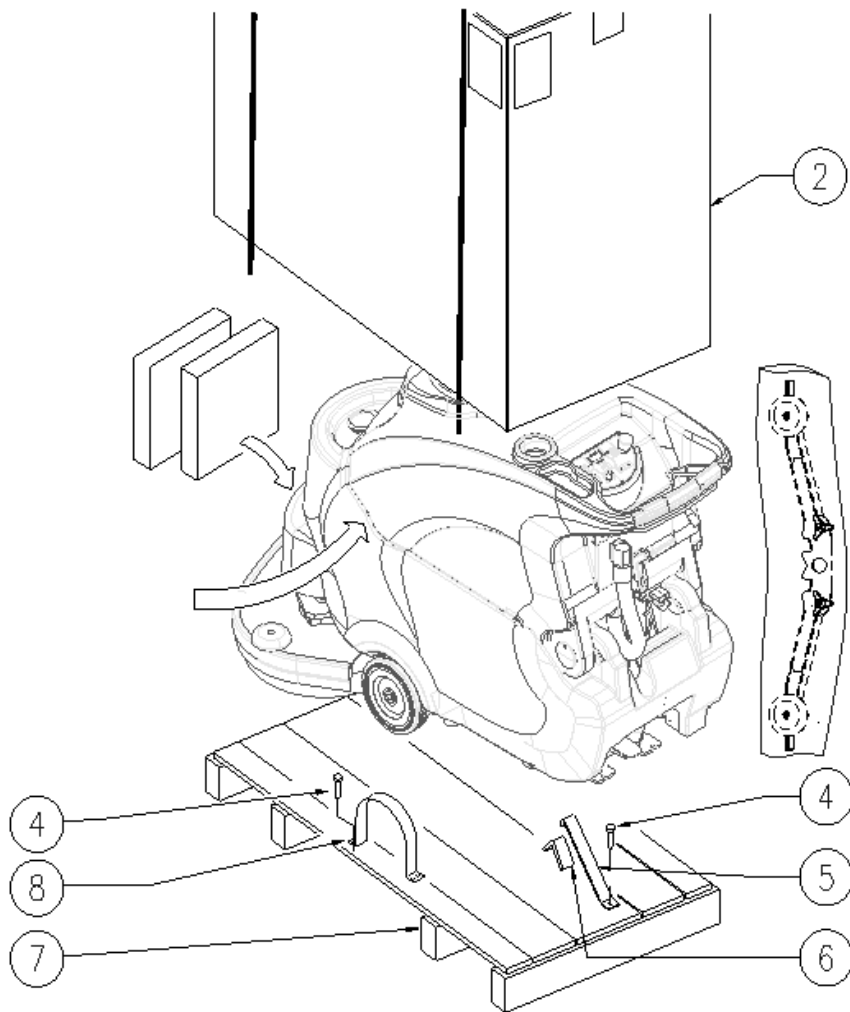
IPC Gansow

Spare Parts List

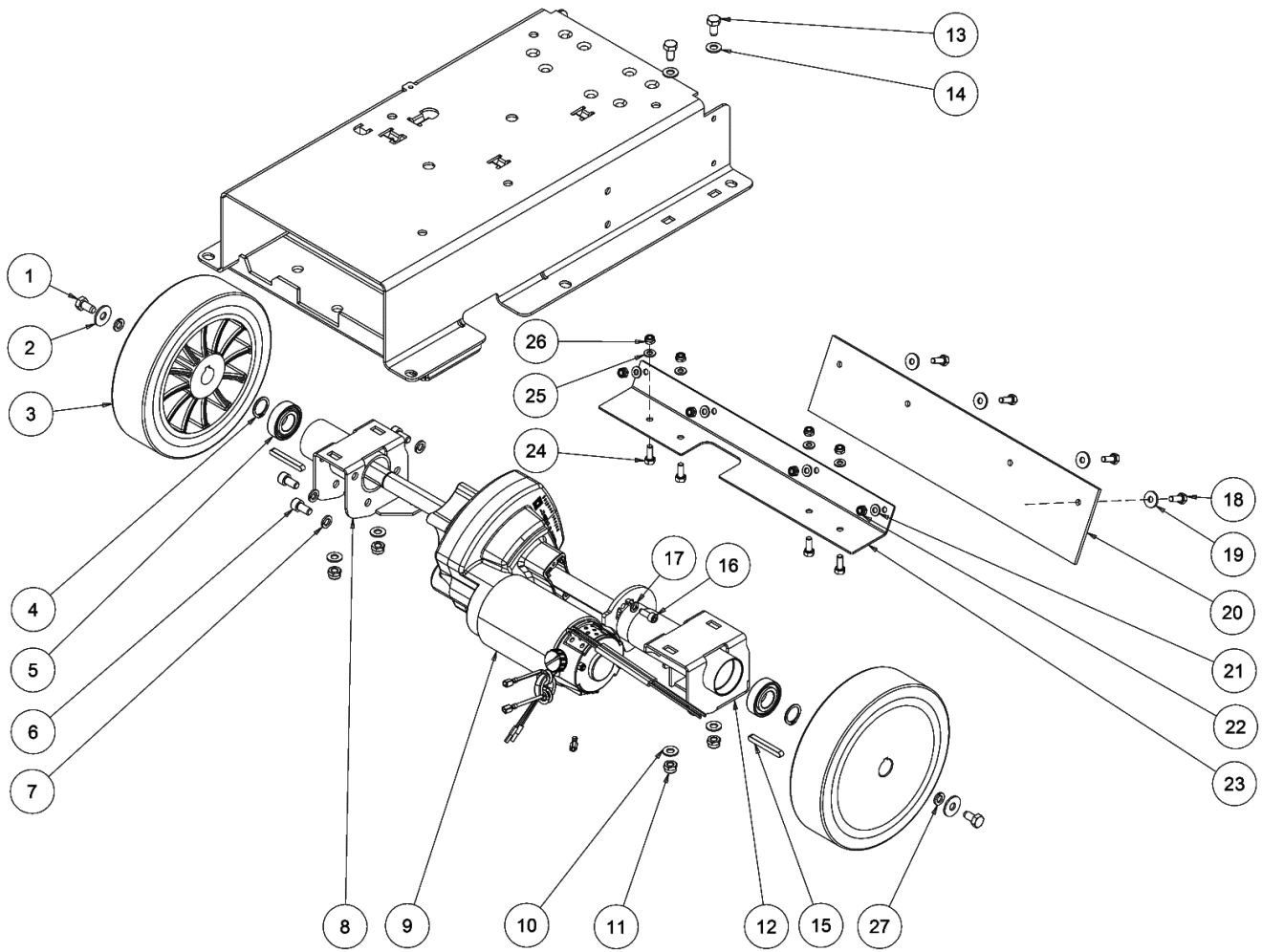
IPC EAGLE

Ref: LPTB01422

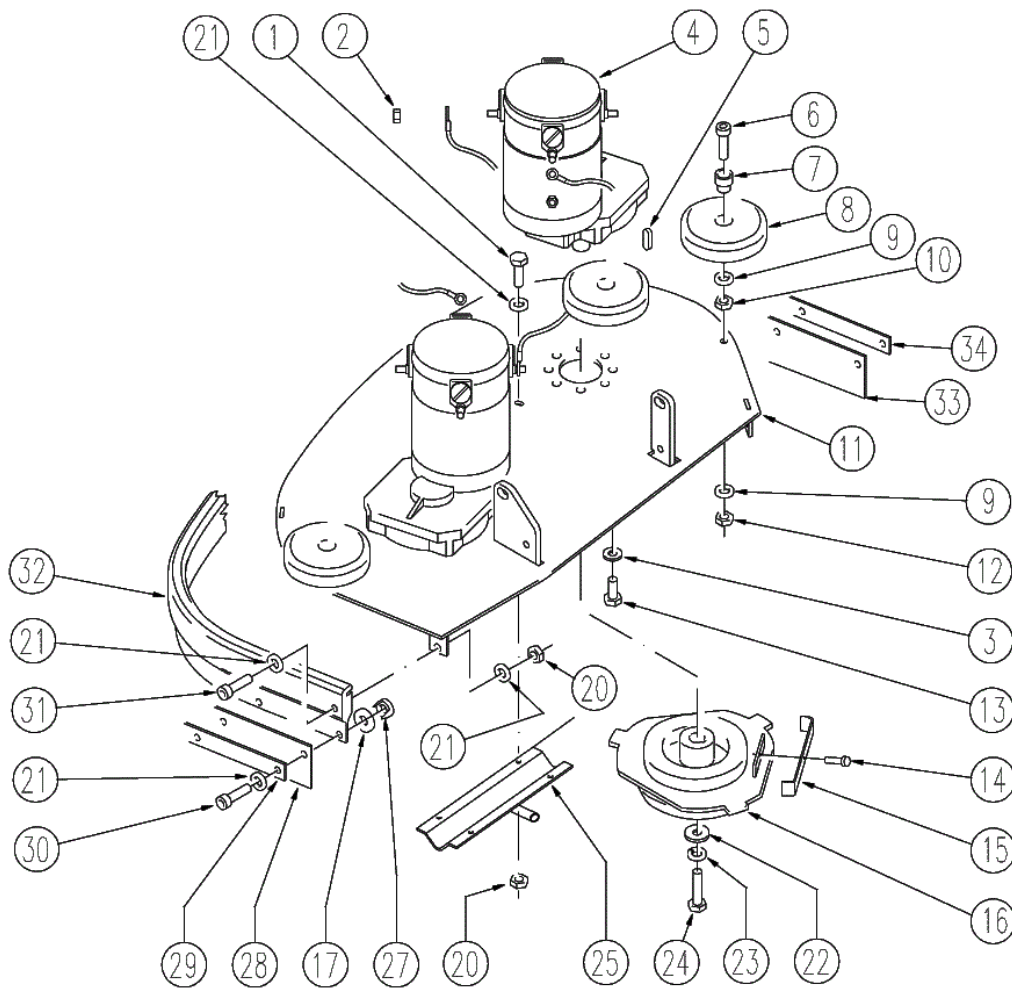
Model: CT90 BT70 GR/VE



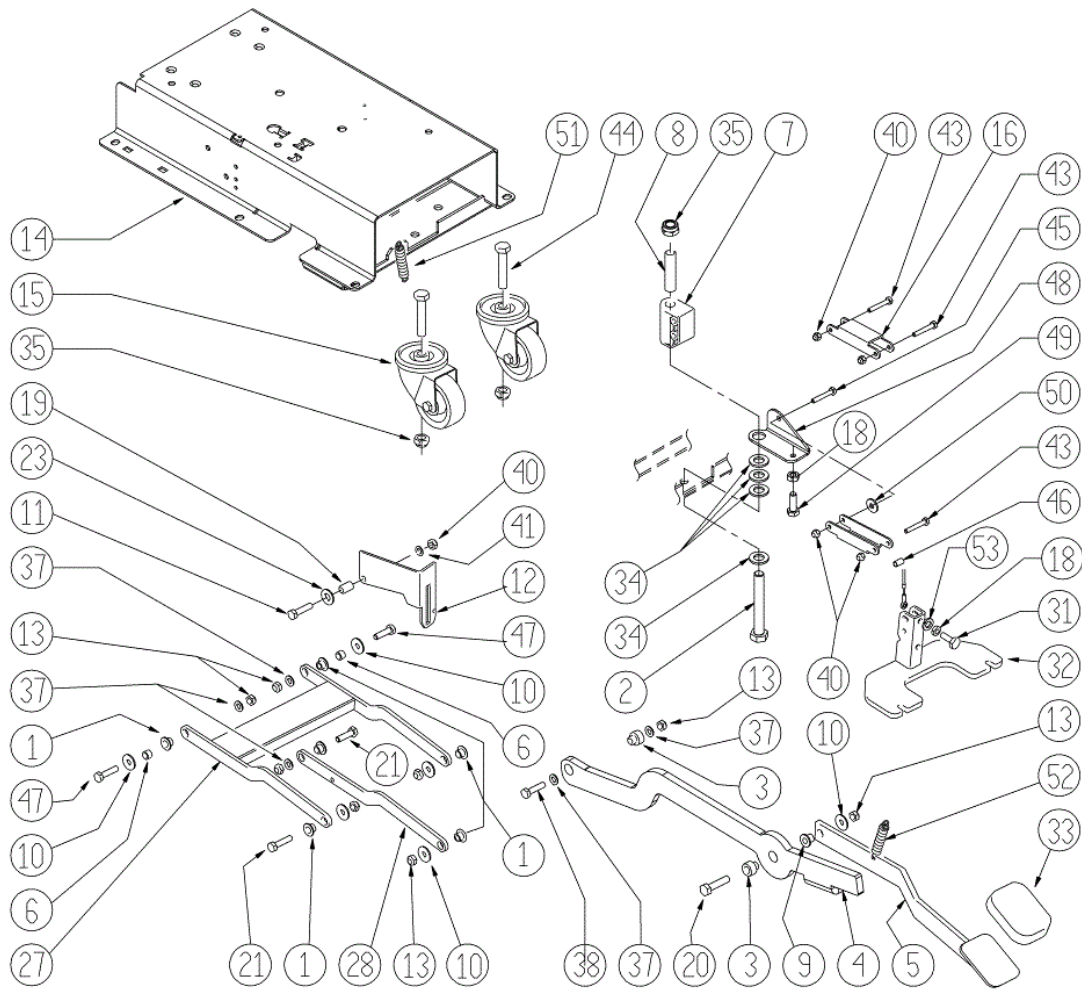
Ref.	K	Part N.	Customer Part N.	Description	Qty	Validity:		Price
						From	To	
0002		MICT00197		BOX	1,00			--
0004		VTVT00043		SCREW AUTOF.LEGNO 4,5X25 TS BR	9,00			--
0005		MIVR00137		CLAMP RUOTA POSTERIORE X IMBAL.	1,00			--
0006		GUGO00009		MOUSSE	0,05			--
0007		MIBA00011		PALLET	1,00			--
0008		MIVR00135		CLAMP RUOTA POSTERIORE X IMBAL.	2,00			--



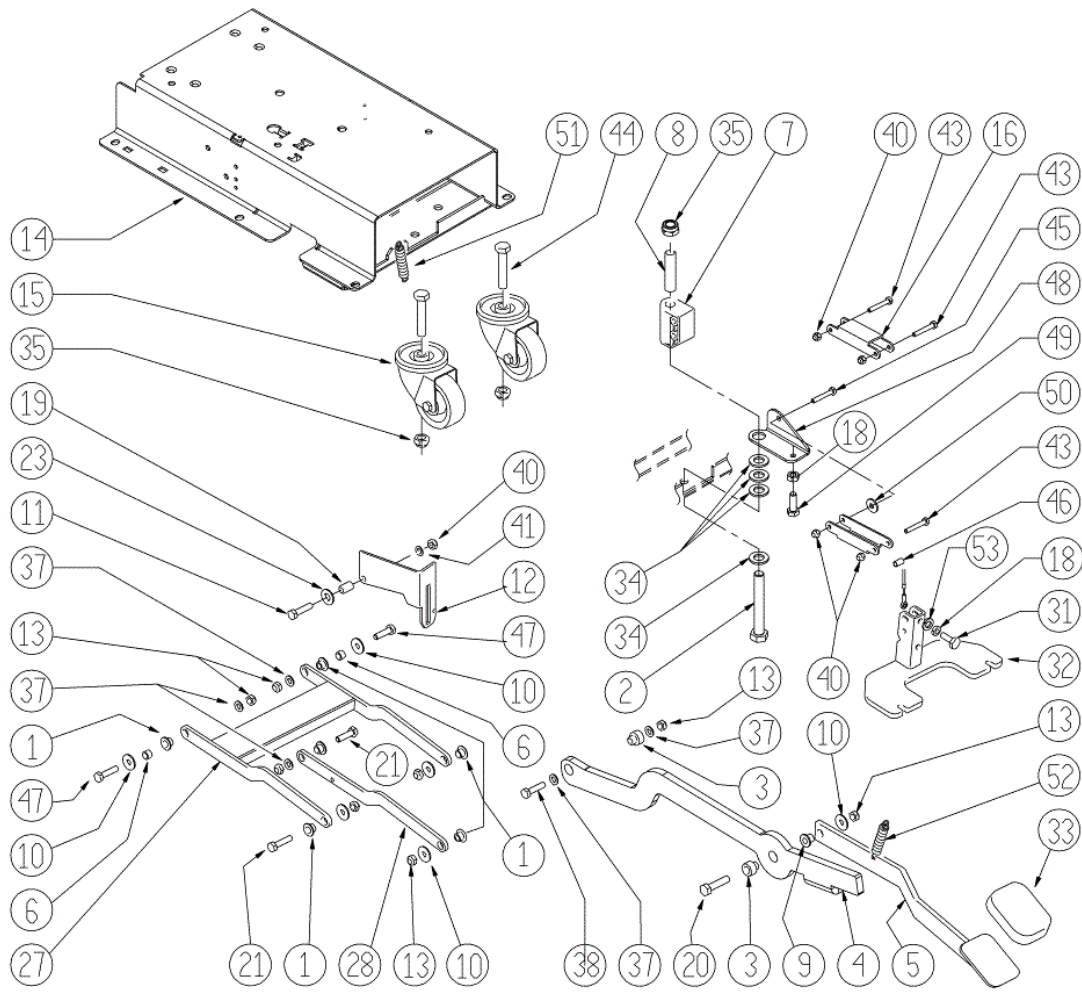
Ref.	K	Part N.	Customer Part N.	Description	Qty	Validity:		Price
						From	To	
0001		VTVT15916		SCREW TE M 8X 16 UNI 5739 A2	2,00			--
0002		VTRS13946		WASHER D. 8 X24 INX UNI 6593	2,00			--
0003		RTRT00521		WHEEL -	2,00		01/2010	--
0003		RTRT00524		WHEEL -	2,00	01/2010	05/2010	--
0003		RTRT00529		WHEEL D200	2,00	05/2010	06/2012	--
0003		RTRT00546		WHEEL D.200	2,00	06/2012		--
0004		VTAE06193		CIRCLIP D. 20 UNI 7435	2,00			--
0005		CUVR00083		BEARING 6004 2RS H SKF	2,00	09/2011	04/2013	--
0005		CUVR00190		BEARING 6004	2,00	04/2013		--
0005		CUVR19846		BALL BEARING 6004 2RS1	2,00		09/2011	--
0006		VTVT00876		SCREW TCEI M.8-16	3,00			--
0007		VTRS15146		WASHER D. 8 INX GRW UNI 1751	3,00			--
0008		LAFN07543		SUPPORT -	1,00		03/2011	--
0008		LAFN07811		SUPPORT -	1,00	03/2011		--
0009		MOCC00341		MOTOR 24V	1,00		12/2010	--
0009		MOCC00395		MOTOR TRACTION 24V 200W 150G	1,00	12/2010		--
0010		VTRS13947		WASHER D. 8 INX UNI 6592	4,00			--
0011		VTDD01695		NUT M 8 INX	4,00			--
0012		LAFN07544		SUPPORT -	1,00		03/2011	--
0012		LAFN07813		SUPPORT -	1,00	03/2011		--
0013		VTVT15916		SCREW TE M 8X 16 UNI 5739 A2	4,00			--
0014		VTRS13947		WASHER D. 8 INX UNI 6592	4,00			--
0015		VTVR00566		KEY 6X10X40	2,00	06/2012		--
0015		VTVR33668		KEY 6x 6x40 UNI 6604A	2,00		06/2012	--
0016		VTVT00717		SCREW TCEI M. 6-16	2,00			--
0017		VTRS15144		WASHER D. 6 INX GRW UNI 1751	2,00			--
0018		VTVT15143		SCREW TE 6X16 UNI5739	4,00	07/2012		--
0019		VTRS13945		WASHER D. 6X18 INX UNI 6593	4,00	07/2012		--
0020		MPVR06230		FLAP CT40 CT70-90	1,00	07/2012		--
0021		VTRS00245		WASHER D.6 UNI 6592 INOX	4,00	07/2012		--
0022		VTDD01694		NUT M6 INOX	4,00	07/2012		--
0023		LAFN07951		BRACKET CT40-90	1,00	07/2012		--
0024		VTVT01531		SCREW TE 6X 16 UNI 5739	4,00	07/2012		--
0025		VTRS00245		WASHER D.6 UNI 6592 INOX	4,00	07/2012		--
0026		VTDD01694		NUT M6 INOX	4,00	07/2012		--
0027		VTRS15146		WASHER D. 8 INX GRW UNI 1751	2,00			--



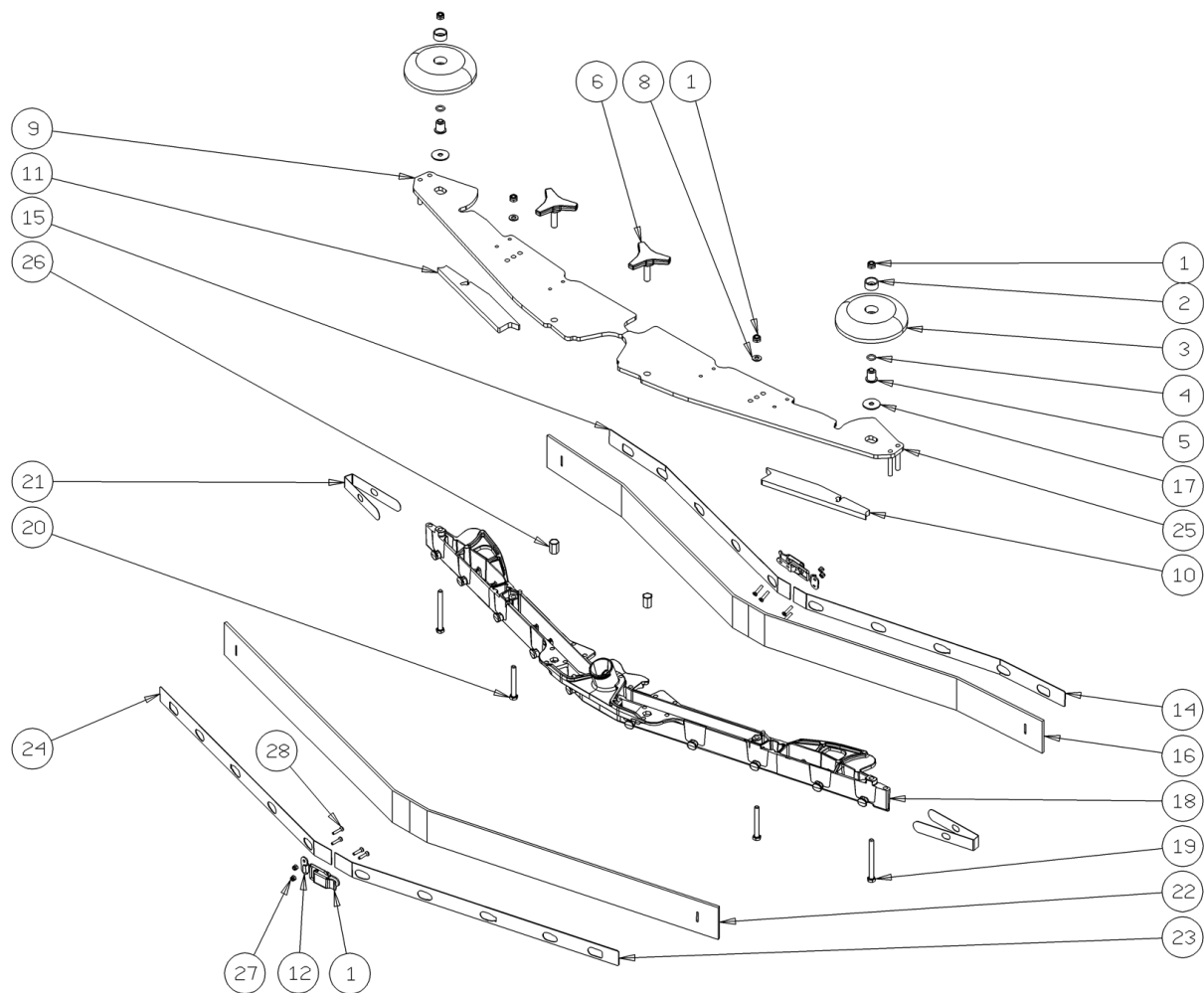
Ref.	K	Part N.	Customer Part N.	Description	Qty	Validity:		Price
						From	To	
0001		VTVT15143		SCREW TE 6X16 UNI5739	4,00			--
0002		VTDD13942		NUT M 6 UNI 5587 INX	4,00			--
0003		VTRS15144		WASHER D. 6 INX GRW UNI 1751	18,00			--
0004		MOCC00328		MOTOR GEARBOX BRUSH 24V 380W	2,00			--
0004		MOCC00344		BRUSH -	4,00			--
0005		VTVR21944		KEY 6X6X30	2,00			--
0006		VTVT00775		SCREW TCEI M 8X40 ZC.BK UNI5931	2,00		06/2009	--
0006		VTVT06241		SCREW 8X40	3,00	06/2009		--
0007		LAFN03915		BUSHING NUOVO RUOTINO STRONG	3,00			--
0008		MPVR05290		ROLLER PARACOLPI	3,00			--
0009		VTRS13947		WASHER D. 8 INX UNI 6592	6,00			--
0010		VTDD15521		NUT M 8 INX A2 UNI 5588	3,00			--
0011		LAFN06723		PLATE -	1,00		03/2013	--
0011		LAFN07949		HEAD 70	1,00	03/2013		--
0012		VTDD01695		NUT M 8 INX	3,00			--
0013		VTVT15906		SCREW TE 6X 12 A2 UNI 5739	14,00			--
0014		VTVT21887		SCREW TCB-TC 4X10 8112	2,00			--
0015		MLML00231		SPRING ANTISGANCIO 85 X FLANGIA	2,00		05/2012	--
0015		MLML00328		SPRING -	2,00	05/2012		--
0016		MPVR00133		FLANGE TRASC. SPAZZOLA	2,00			--
0017		MPVR35582		RUBBER LAV.	8,00			--
0020		VTDD15518		NUT M 6 INX	9,00			--
0021		VTRS13945		WASHER D. 6X18 INX UNI 6593	22,00			--
0022		VTRS13946		WASHER D. 8 X24 INX UNI 6593	2,00			--
0023		VTRS15146		WASHER D. 8 INX GRW UNI 1751	2,00			--
0024		VTVT13938		SCREW TE 8X20 UNI5739 INX	2,00			--
0025		LAFN07236		DISTRIBUTOR 70	1,00			--
0027		VTDD00175		NUT M.6 TONDO FILET.4 PUNTE	8,00			--
0028		MPVR04746		FLAP 355X63 sp.4	2,00		03/2013	--
0028		MPVR05534		FLAP	1,00	03/2013		--
0029		MPVR05207		SHEET METAL PA.FLAP	2,00		03/2013	--
0029		MPVR05535		FLAP PRESS	1,00	03/2013		--
0030		VTVT15143		SCREW TE 6X16 UNI5739	8,00			--
0031		VTVT00392		SCREW M6x35 UNI5739 inox	5,00			--
0032		MPVR05232		BUMPER -	1,00		03/2013	--
0032		MPVR06224		BUMPER -	1,00	03/2013		--
0033		MPVR05270		FLAP DX	1,00	03/2013		--
0034		MPVR05269		FLAP FLAP	1,00	03/2013		--



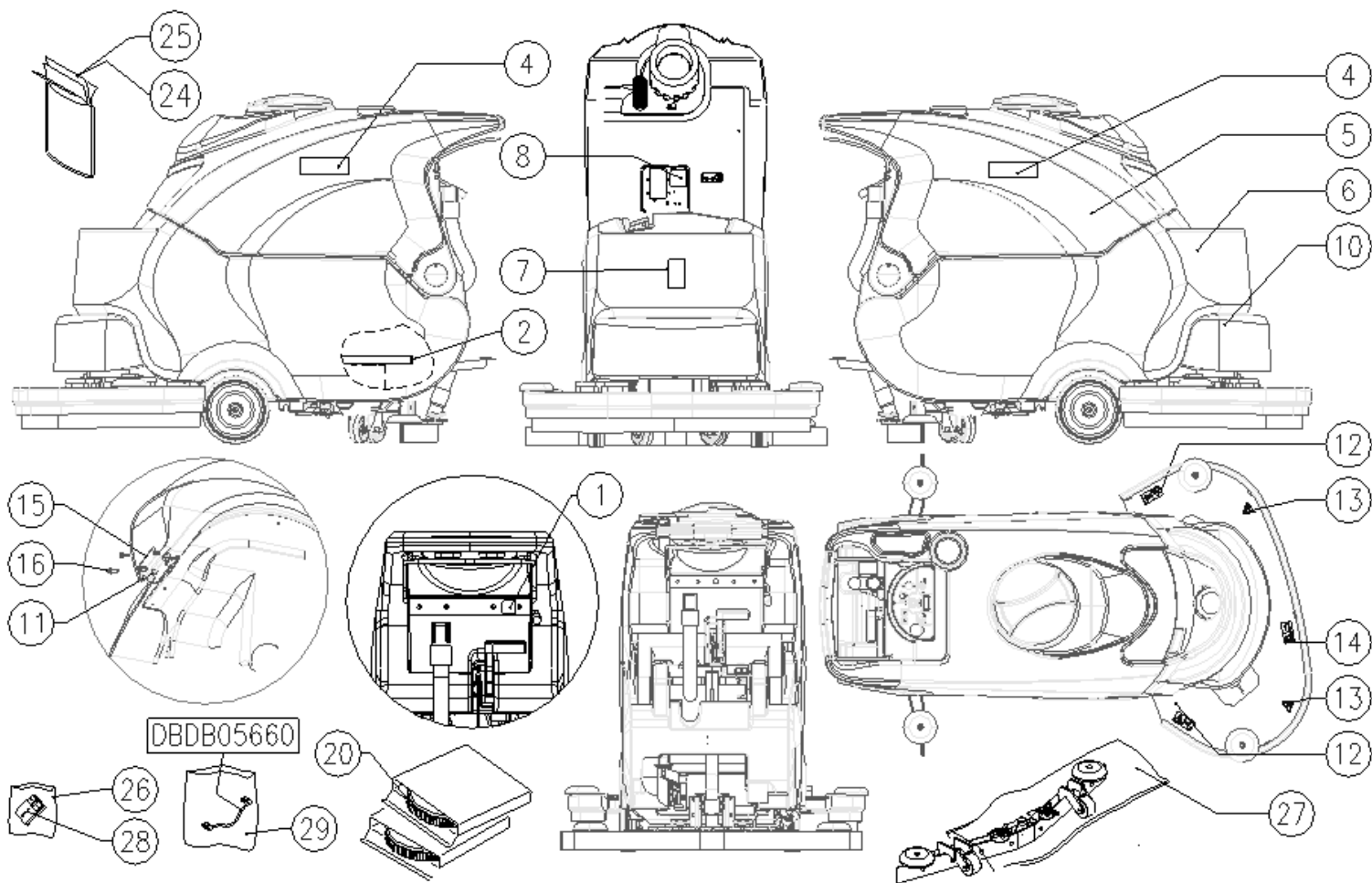
Ref.	K	Part N.	Customer Part N.	Description	Qty	Validity:		Price
						From	To	
0001		LAFN06391		BUSHING PARALLELOGRAMMA	6.00			--
0002		VTVT01686		SCREW TE M12X90	1.00			--
0003		LAFN04190		BUSHING PARALLELOGR.TEST.GR.	2.00			--
0004		LAFN07593		BRACKET LIFTING BRUSH HEAD	1.00			--
0005		LAFN07555		LEVER -	1.00		06/2013	--
0005		LAFN09269		LEVER 90	1.00	06/2013		--
0006		RCDS34717		BUSHING D. 9X12X 8.3	2.00			--
0007		MPVR04734		BLOCK TERGI	1.00			--
0008		LAFN09006		PIN -	1.00			--
0009		LAFN51068	#8479.90.9498	BUSHING LEVA POSTER.	1.00			--
0010		VTRS13946		WASHER D. 8 X24 INX UNI 6593	6.00			--
0011		VTVT00161		SCREW TE M6X20	1.00			--
0012		LAFN10124		PLATE -	1.00			--
0013		VTDD01695		NUT M 8 INX	7.00			--
0014		LAFN06422		FRAME -	1.00			--
0015		RTRT00395		WHEEL CASTOR D.80X25 PU	2.00	03/2013		--
0015		RTRT00518		WHEEL CASTOR D.80X30	2.00		03/2013	--
0016		LAFN05853		LEVER ARM SOLLEVAMENTO TERGI	2.00			--
0018		VTDD15521		NUT M 8 INX A2 UNI 5588	1.00			--
0019		LAFN03840		BUSHING -	1.00			--
0020		VTVT15917		SCREW TE M 8X50 INOX A2 UNI	1.00			--
0021		VTVT15907		SCREW TE 8X25 UNI5739 INX	4.00			--
0023		VTRS00274		WASHER NYLON 66 D.8,4-17-2 UNI	1.00			--
0027		LAFN07563		ARM -	1.00			--
0028		LAFN06389		ARM PARALLELOGRAMMA	1.00			--
0031		VTVT00410		SCREW TE M8x35 UNI5739 INOX	1.00			--
0032		LAFN07560		PLATE -	1.00			--
0033		MPVR05186		COVER -	1.00			--
0034		VTRS15978		WASHER D.12X24 UNI 6592 INX	4.00			--
0035		VTDD00176		NUT M.12 INOX A2 BASSO AUTOB.	3.00			--
0037		VTRS13947		WASHER D. 8 INX UNI 6592	4.00			--
0038		VTVT00429		SCREW TE M 8X 40 INX UNI 5737	1.00			--
0040		VTDD01694		NUT M6 INOX	5.00			--
0041		VTRS00245		WASHER D.6 UNI 6592 INOX	1.00			--
0043		VTVT01683		SCREW TE 6X40	4.00			--
0044		VTVT00995		SCREW TE M12X40	2.00			--
0045		VTVT01684		SCREW TE 6X45	1.00			--
0046		LAFN06898		SPACER 6-8 h15	1.00			--
0047		VTVT13937		SCREW TE M 8X 30 INX UNI 5739	2.00			--



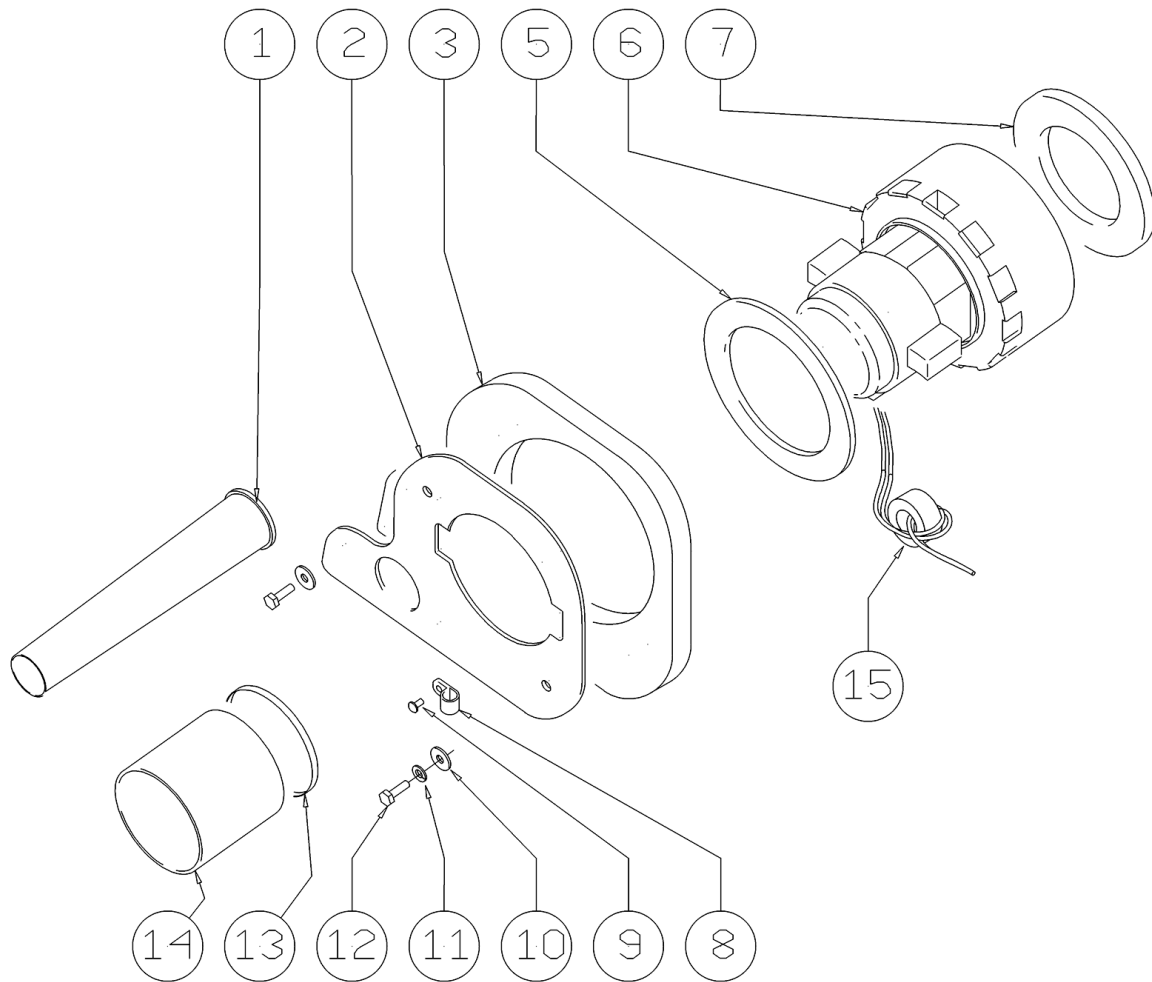
Ref. K	Part N.	Customer Part N.	Description	Qty	Validity:		Price
					From	To	
0048	LAFN08999		BRACKET -	1,00			--
0049	VTVT13938		SCREW TE 8X20 UNI5739 INX	1,00			--
0050	VTRS13945		WASHER D. 6X18 INX UNI 6593	1,00			--
0051	MLML00303		SPRING REGISTRAZIONE FLAP	1,00			--
0052	MLML00303		SPRING REGISTRAZIONE FLAP	1,00			--
0053	VTRS15146		WASHER D. 8 INX GRW UNI 1751	1,00	03/2013		--



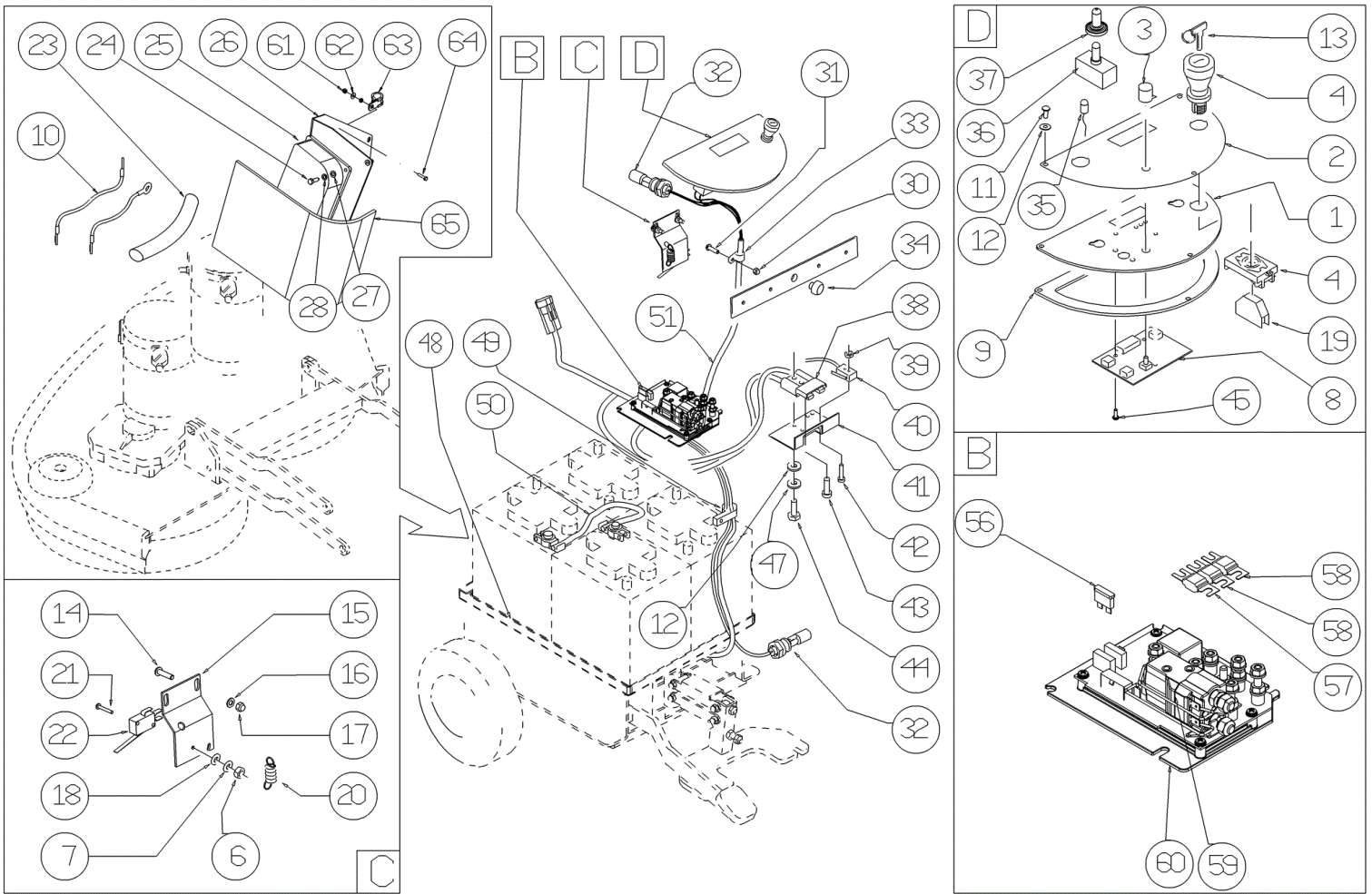
Ref.	K	Part N.	Customer Part N.	Description	Qty	Validity:		Price
						From	To	
0001		LAFN09302		CLOSURE -	2,00	09/2013		--
0002		MPVR49229		BUSHING SHK	2,00			--
0003		MPVR05290		ROLLER PARACOLPI	2,00			--
0004		GUGO00164		GASKET	2,00			--
0005		LAFN04100		SPACER PER RUOTINO PARACOLPI	2,00			--
0006		MPVR06003		KNOB AISI 304	2,00		03/2013	--
0006		MPVR06004		KNOB AISI 304	2,00	03/2013		--
0008		VTRS00245		WASHER D.6 UNI 6592 INOX	2,00			--
0009		LAFN09014		PLATE -	1,00			--
0010		GUVR00303		GASKET -	1,00			--
0011		GUVR00302		GASKET -	1,00			--
0012		LAFN09301		SOCKET -	2,00	09/2013		--
0014		LAFN08952		BRACKET -	1,00		09/2013	--
0014		LAFN09284		SHEET METAL PA.-	1,00	09/2013		--
0015		LAFN08953		BRACKET -	1,00		09/2013	--
0015		LAFN09285		SHEET METAL PA.-	1,00	09/2013		--
0016		MPVR05804		RUBBER FRONT SQUEEGEE L PU	1,00			--
0017		VTRS16937		WASHER 6x24 INOX UNI 6593	2,00			--
0018		KTRI02049		BODY SQUEEGEE PRESSOFUSO "L"	1,00			--
0019		VTVT00841		SCREW TE M 6X65 UNI 5739 INX	2,00			--
0020		VTVT15515		SCREW TE M 6X 50 INOX A2	2,00			--
0021		MPVR05898		CLOSURE L	2,00			--
0022		MPVR05806		RUBBER REAR SQUEEGEE L PU	1,00			--
0023		LAFN08954		BRACKET -	1,00		09/2013	--
0023		LAFN09286		SHEET METAL PA.-	1,00	09/2013		--
0024		LAFN08955		BRACKET -	1,00		09/2013	--
0024		LAFN09287		SHEET METAL PA.-	1,00	09/2013		--
0025		LAFN09015		PLATE -	1,00			--
0026		VTVR00565		INSERT	2,00			--
0027		VTDD00210		NUT M 3 INOX	8,00	09/2013		--
0028		VTVT01070		SCREW TSTC M3X8	8,00	09/2013		--



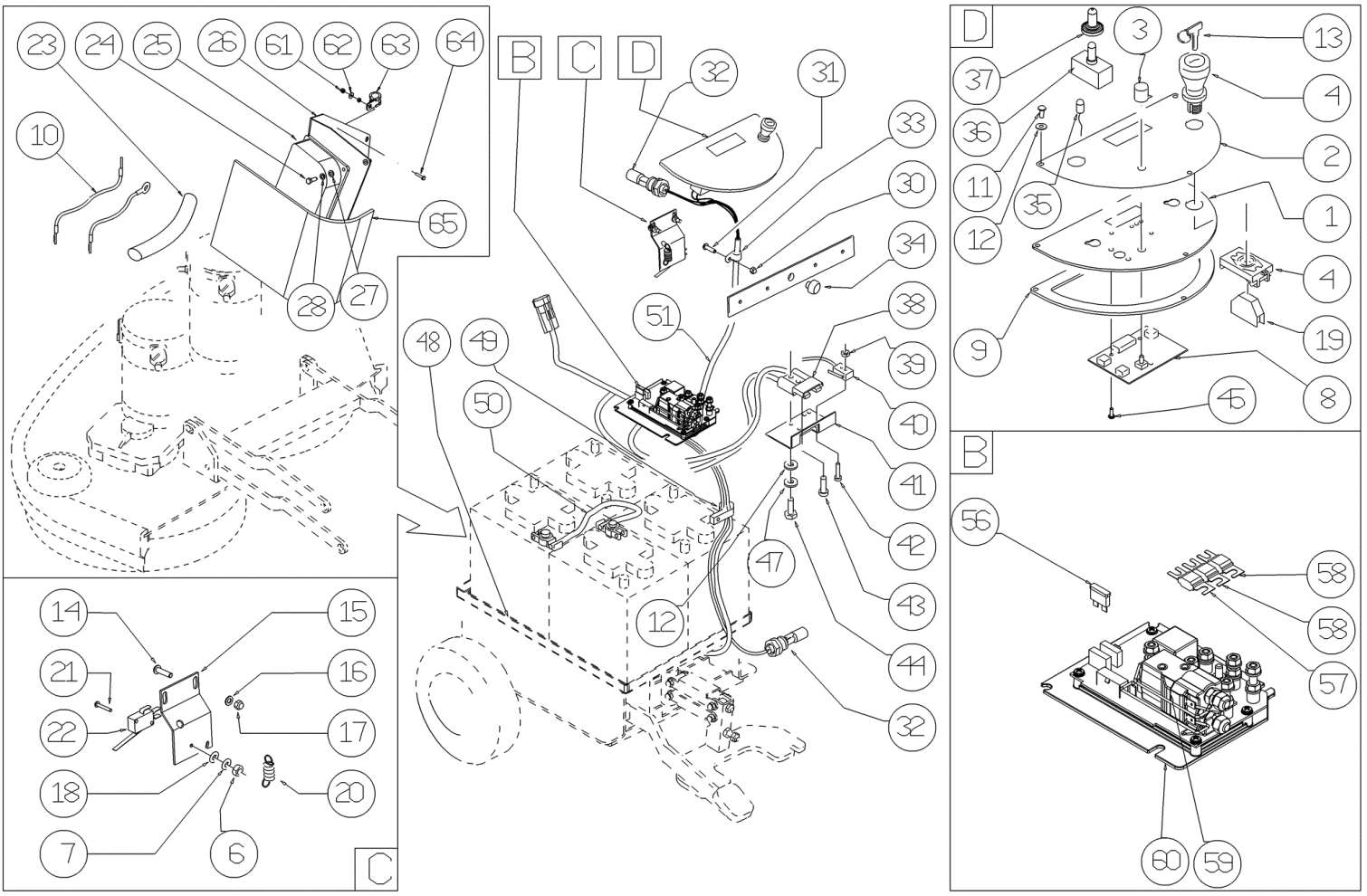
Ref. K	Part N.	Customer Part N.	Description	Qty	Validity:		Price
					From	To	
0001	ETET01447		LABEL	1,00			--
0002	MPVR04985		FRONT PANEL	1,00			--
0004	ETET01683		LABEL -	2,00			--
0005	MPVR05845		TANK CT90	1,00			--
0006	MPVR05846		TANK "SOLUTION CT90"	1,00			--
0007	ETET01637		LABEL -	1,00			--
0008	ETET00763		LABEL SIMBOLO FUSIBILI	1,00			--
0010	MPVR04984		FRONT PANEL	1,00			--
0011	VTVT07521		SCREW TCB 5X10	4,00			--
0012	ETET00906		ADHESIVE SIMBOLO PERICOLO DI ABRAS	2,00			--
0013	ETET00897		ADHESIVE SIMBOLO PERICOLO	2,00			--
0014	ETET00898		ADHESIVE SIMBOLO SCHIACCIAMENTO	1,00			--
0015	LAFN07247		BRACKET CT90	2,00			--
0016	VTVT15961		SCREW M 5X 16 TCB TC UNI 7687	4,00			--
0020	SPPV47749		BRUSH NYLON 0.8 D.340 BT 7000	2,00			--
0024	PLDC01602		INSTR.MANUAL 40-70-90	1,00			--
0025	PLDC01450		MANUAL RIC. CLT40	1,00			--
0026	MIVR00072		ENVELOPE PLASTICA TRASP.	1,00			--
0027	MIVR00048		TUBE UNIBOL	1,00			--
0028	MEVR01079		PLUG M CB50 A 600V RD.	1,00			--
0029	MIVR00064		ENVELOPE PORTA CABLAGGI	1,00			--



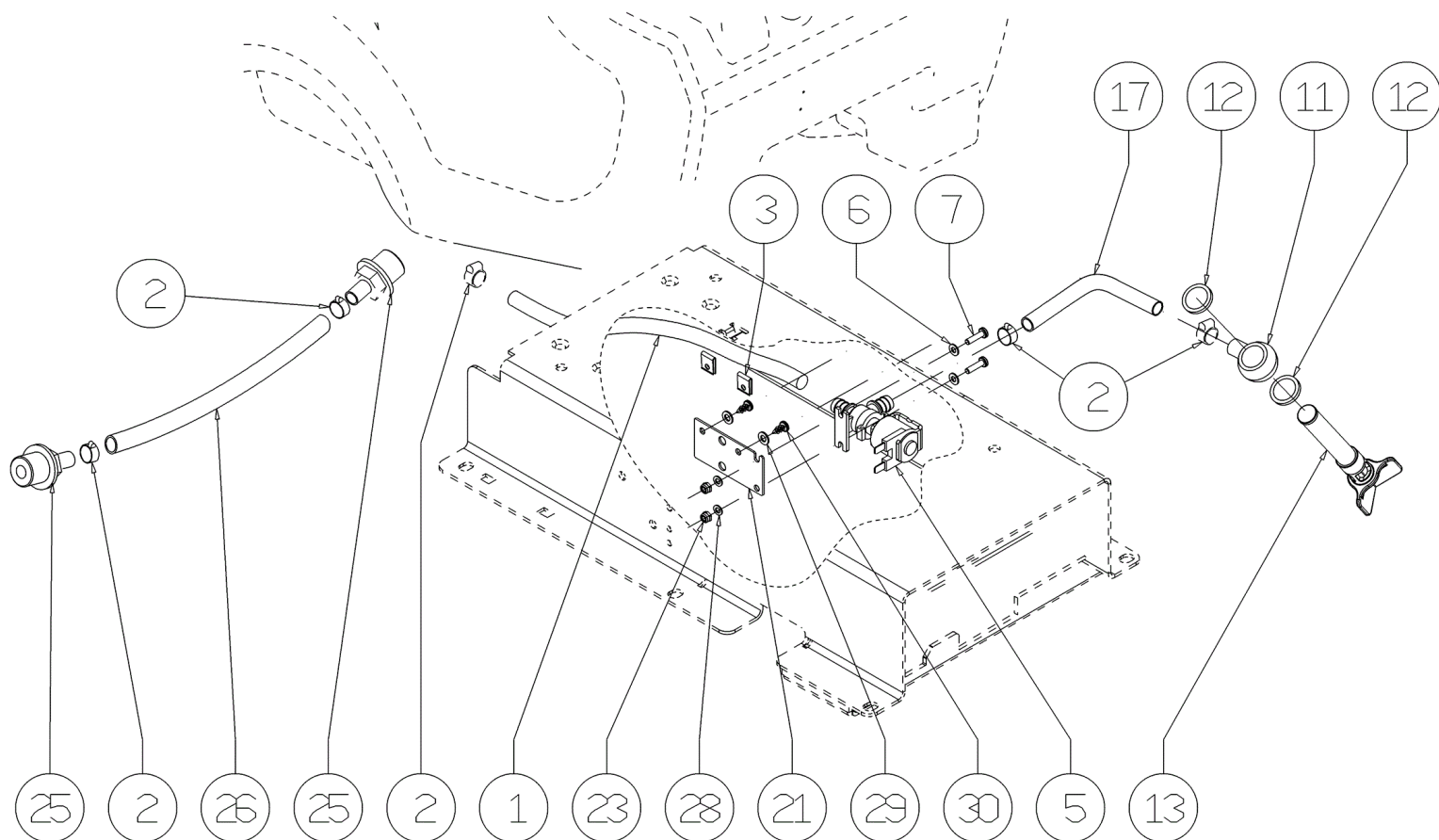
Ref. K	Part N.	Customer Part N.	Description	Qty	Validity:		Price
					From	To	
0001	MPVR05259		TUBE SCARICO	1,00			--
0002	LAFN06363		FLANGE ASPIRATORE	1,00			--
0003	MPVR05103		SOUND-PROOFING ASPIRATORE	1,00			--
0005	MPVR04724		FLANGE IN NYLON	1,00			--
0006	MOCC00401		MOTOR -	1,00		05/2012	--
0006	MOCC00417		VACUUM CLEANER -	1,00	05/2012		--
0007	GUGO00272		GASKET VACUUM MOTOR CT	1,00			--
0008	FSVR00099		CLAMP FERMATUBO	1,00			--
0009	VTVT00813		SCREW M 4X 8 TCB-TC UNI 8112	1,00			--
0010	VTRS13945		WASHER D. 6X18 INX UNI 6593	2,00			--
0011	VTRS15144		WASHER D. 6 INX GRW UNI 1751	2,00			--
0012	VTVT15143		SCREW TE 6X16 UNI5739	2,00			--
0013	FSVR00118		CLAMP D.94	1,00			--
0014	TBFX00312		TUBE ASPIRAZIONE	1,00			--
0015	MEVR01964		FILTER -	1,00			--



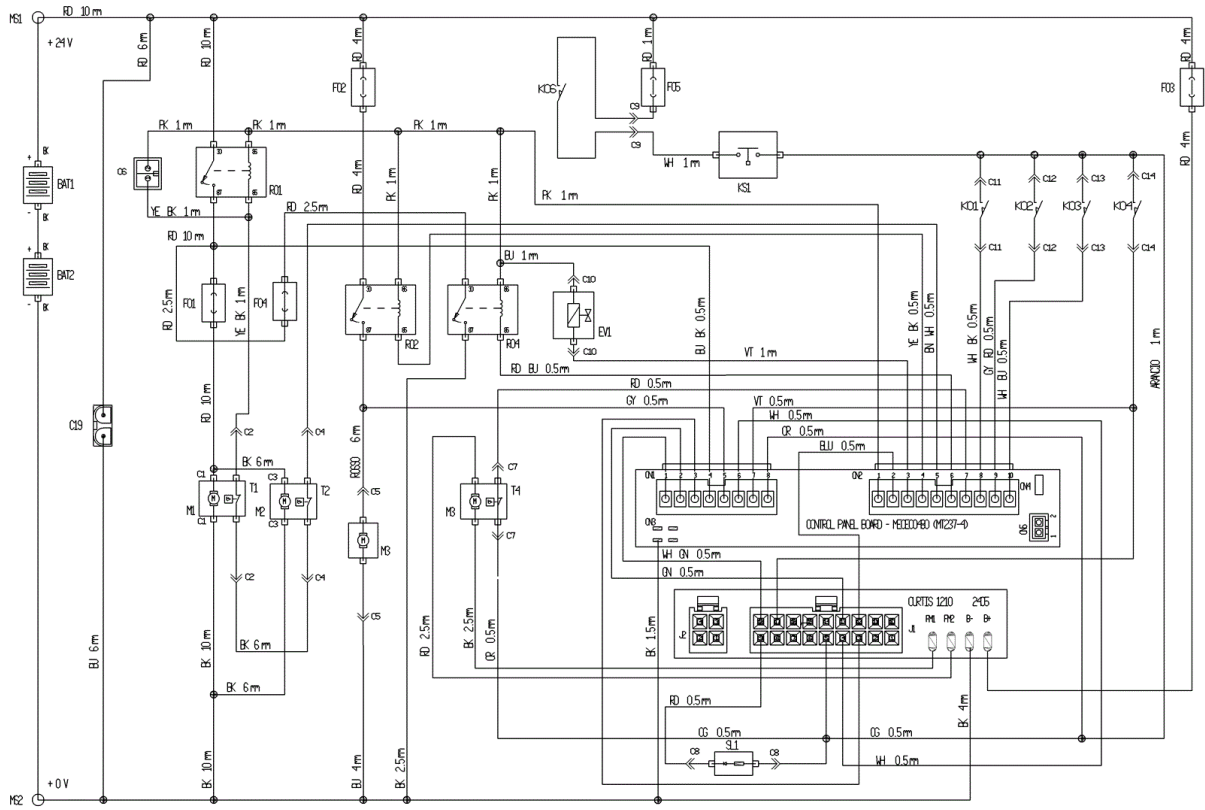
Ref.	K	Part N.	Customer Part N.	Description	Qty	Validity:		Price
						From	To	
0001		LAFN08989		SUPPORT -	1,00			--
0002		ETET01717		LABEL -	1,00			--
0003		MEVR01666		KNOB POTENTIOMETER	1,00			--
0004		MECI00402		BUTTON A FUNGO	1,00			--
0006		VTDD21115		NUT M 3 INOX	2,00			--
0007		VTRS00268		WASHER D.3	2,00			--
0008		MECE00538		BOARD	1,00			--
0009		GUGO38417		GASKET PANN.COM.EXTREME	1,00			--
0011		VTVT37012		SCREW M 4X 10 TCB-TC INX	3,00			--
0012		VTRS00515		WASHER D. 4 INX	3,00			--
0013		CHVR00051	#8479.90.9498	DIASSASS.SPANNERPULSANTE FUNGO	1,00			--
0014		VTVT07725		SCREW TE 5X16 UNI5739 INX	2,00			--
0015		LAFN05904		PLATE MICRO LEVA	1,00			--
0016		VTRS00516		WASHER D. 5 INX	2,00			--
0017		VTDD01693		NUT M 5 INX	4,00			--
0018		VTRS21116		WASHER D. 3 INX	2,00			--
0019		MECI00403		CONTACT -	1,00			--
0020		MLML34726		SPRING TR E350 N	1,00			--
0021		VTVT01316		SCREW TC+ M3-16	2,00			--
0022		MECI36393		MICROSWITCH TRZ. DRW	1,00			--
0024		VTVT07725		SCREW TE 5X16 UNI5739 INX	2,00			--
0025		MECE00478		BOARD TRACTION CURTIS 24V 70A	1,00			--
0026		LAFN07510		SUPPORT -	1,00			--
0027		VTRS00516		WASHER D. 5 INX	2,00			--
0028		VTRS15908		WASHER D. 5 INX GRW UNI 1751	2,00			--
0030		VTDD15925		NUT M 4 INX	1,00			--
0031		VTVT00704		SCREW TE M 4X 16 UNI5739 INOX	1,00			--
0032		MECI00516		SENSOR DI LIVELLO ORIZZONTALE	2,00			--
0033		FSVR00099		CLAMP FERMATUBO	1,00			--
0034		MPVR00043		CAP CHIUS.FORO PORTAFUS.L 15	1,00			--
0035		MEVR01974		LED -	1,00			--
0036		MECI30499		SWITCH 10A - 250VAC	1,00			--
0037		MEVR01975		RUBBER DEVIATORE	1,00			--
0038		MEVR01707		CONNECTOR -	1,00			--
0039		VTDD08634		NUT M2	2,00			--
0040		MECI00334		MICROSWITCH V4	1,00			--
0041		LAFN06409		SUPPORT -	1,00			--
0042		VTVT00671		SCREW TC- M.2-16 OTTONE	2,00			--
0043		VTVT00872		SCREW TSP+ 2.9X13 AUTOFIL. INOX	1,00			--



Ref.	K	Part N.	Customer Part N.	Description	Qty	Validity:		Price
						From	To	
0044		VTVT00814		SCREW TE M.4-25	2,00			--
0045		VTVT00722		SCREW	3,00			--
0047		VTRS15913		WASHER D. 4 GROVER A2 UNI1751	2,00			--
0049		FSVR00244		CLAMP -	1,00			--
0050		MEVR34820		WIRING B 450 BT	3,00			--
0051		MECB01303		WIRING CT90	1,00			--
0056		MEVR01428		FUSE A LAMA 2 A. UNIVAL	1,00			--
0057		MEVR02061		FUSE 80A	1,00			--
0058		MEVR02060		FUSE 40A	2,00			--
0059		METT00085		CONTACTOR 100A	1,00			--
0060		MECE00574		BOARD CT40-70-90	1,00			--
0062		VTRS15144		WASHER D. 6 INX GRW UNI 1751	1,00			--
0063		FSVR00043		CLAMP d.16	1,00			--
0064		VTVT15906		SCREW TE 6X 12 A2 UNI 5739	1,00			--
0065		MPVR06067		PROTECTION -	1,00			--



Ref.	K	Part N.	Customer Part N.	Description	Qty	Validity:		Price
						From	To	
0001		TBFX00308		TUBE L=580MM	1,00			--
0002		FSVR00428		CLAMP D. 12-20	5,00			--
0003		MLML00002		SPRING PRESTOLA DOPPIA 8P	2,00			--
0005		MEEV00036		SOLENOID VALVE HOLE 8mm CLEANTIME	1,00			--
0006		VTRS00017		WASHER ACCIAIO INOX 4X12	2,00			--
0007		VTVT21096		SCREW TE M 4X 10 INX	2,00			--
0011		LAFN07783		CONNECTOR -	1,00			--
0012		VTRS00567		WASHER 1/2	2,00			--
0013		MPVR05221		FILTER COMPLETO	1,00		02/2013	--
0013		MPVR06303		FILTER CT40-70-90	1,00	02/2013		--
0017		TBFX48011		TUBE FLEX D.12X3 ARMORV.PVC TR	0,06			--
0021		LAFN08843		PLATE -	1,00			--
0023		VTDD00055		NUT M 4 ATB A2	2,00			--
0025		RCVR00742		CONNECTOR 3/4" M	2,00			--
0026		TBBP00343		TUBE L=370	1,00			--
0028		VTRS00017		WASHER ACCIAIO INOX 4X12	2,00			--
0029		VTRS00516		WASHER D. 5 INX	2,00			--
0030		VTVT48694		SCREW TCB TC 5 X12 UNI 9707 TZ	2,00			--



CONNECTORS: VIEW FROM WIRE SIDE

BK	BLACK	NERO
BN	BROWN	MARRONE
RD	RED	ROSSO
OG	ORANGE	ARANCIONE
YE	YELLOW	GIALLO
GN	GREEN	VERDE
BL	BLUE	BLU
VT	VIOLET	VIOLEA
GV	GREY	GRIGIO
WH	WHITE	BIANCO
PK	PINK	ROSA
TR	TURquoise	VERDE AZZURRO
AL	ALBE	AZZURRO

FLD001832.2

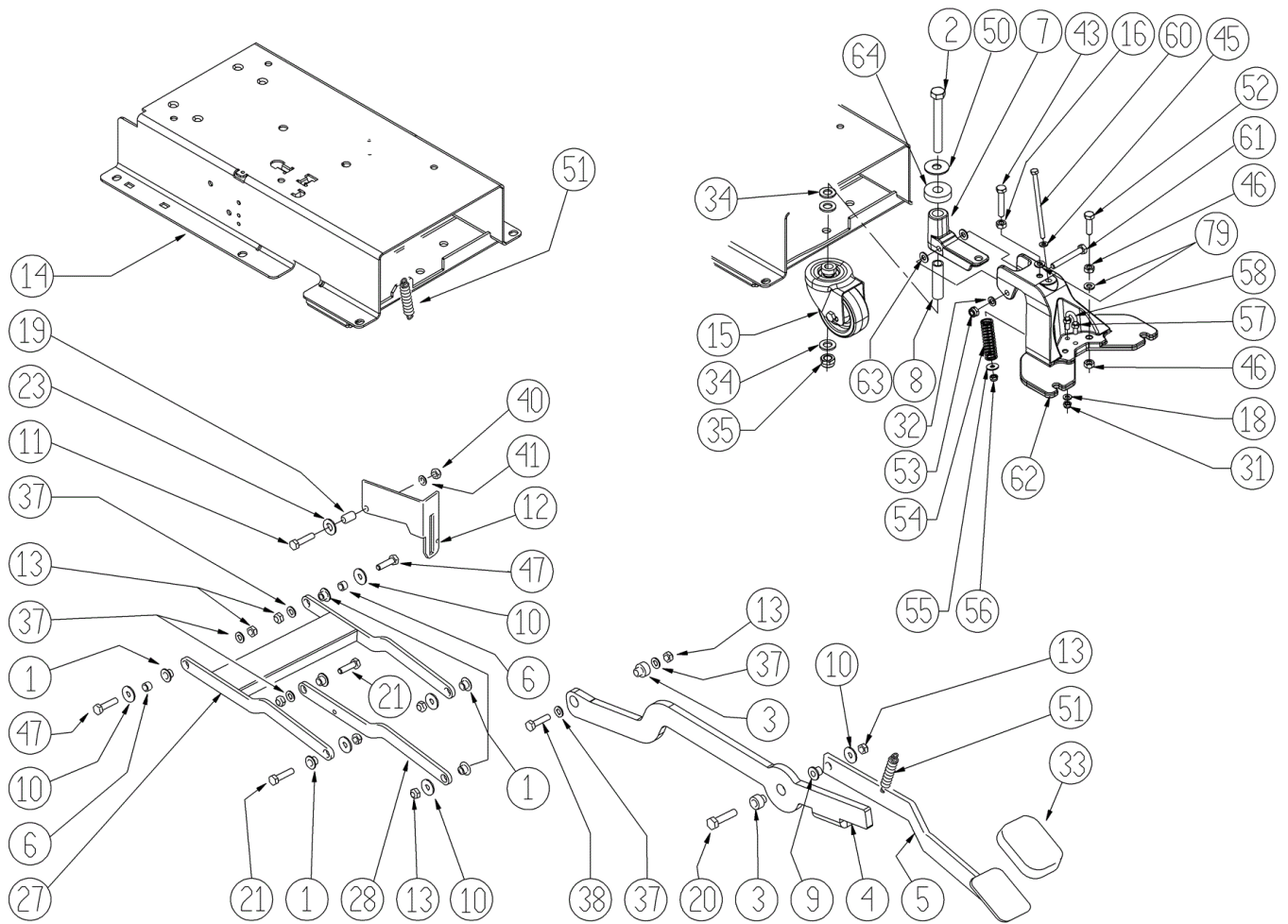
Ref.	K	Part N.	Customer Part N.	Description	Qty	Validity:		Price
						From	To	
EV1		MEEV00036		SOLENOID VALVE HOLE 8mm CLEANTIME	1,00			--
F01		MEVR02061		FUSE 80A	1,00			--
F03		MEVR02061		FUSE 80A	1,00			--
F04		MEVR02060		FUSE 40A	1,00			--
F05		MEVR01428		FUSE A LAMA 2 A. UNIVAL	1,00			--

COMPONENTS		
F01	FUSE- BRUSH MOTORS (80 A)	FUSIBILE SPAZZOLE POTENZA (80 A)
F02	FUSE-VOLUM MOTOR (40 A)	FUSIBILE ASPIRATORE POTENZA (40 A)
F03	FUSE-CURTIS TRACTION MOTORS (80 A)	FUSIBILE CURTIS MOTORE TRAZIONE (80 A)
F04	FUSE-BRUSHES RELEASE (40 A)	FUSIBILE SANCIO SPAZZOLE (40 A)
F05	FUSE CURTIS-CONTROL PANEL (2 A)	FUSIBILE CURTIS-PLANCIA (2 A)
F06		
R01	RELAY- BRUSH MOTORS	TELEBUTTORE SPAZZOLE
R02	RELAY- VOLUM MOTOR	RELE' ASPIRATORE
R03	RELAY- TRACTION MOTOR	RELE' MOTORE TRAZIONE
R04	RELAY- BRUSH RELEASE	RELE' SANCIO SPAZZOLE
E01	ELECTRO-VALVE	ELETTROVALVOLA ACQUA
K01	GENERAL KEY	CHIAVE AVVIAMENTO
K01	SWITCH- HND LEVER	INTERRUTTORE LEVA TRIZIONE
K02	SWITCH- RECOVERY TANK LEVEL (MAX)	LIVELLO TROPPO PIENO (N.O.)
K03	SWITCH- SOLUTION TANK LEVEL (MIN)	LIVELLO MINIMO SERBATOIO (N.O.)
K04	SWITCH- FORWARD / REWARD	INTERRUTTORE MARCIA AVANTI INDIETRO
K05		
K06	SWITCH- BATTERY RECHARGE SAFETY	MICRO SICUREZZA RICARICA BATTERIE
M1	MOTOR- BRUSH 1	MOTORE SPAZZOLA -1
M2	MOTOR- BRUSH 2	MOTORE SPAZZOLA -2
M3	MOTOR- VOLUM	MOTORE ASPIRATORE
M4	MOTOR- TRACTION	MOTORE TRAZIONE
M5		
M6		
T1	THERMIC SWITCH- BRUSH MOTOR 1	TERMICA MOTORE SPAZZOLA -1
T2	THERMIC SWITCH- BRUSH MOTOR 2	TERMICA MOTORE SPAZZOLA -2
T4	THERMIC SWITCH- TRACTION MOTOR	TERMICA MOTORE TRAZIONE
J1	CON-CONTROL CURTIS	CON-CONTROLLO CURTIS
J2		
J3		
P01	CON-FASION MOTORE 1 CURTIS	CON-FASION MOTORE 1 CURTIS
P02	CON-FASION MOTORE 2 CURTIS	CON-FASION MOTORE 2 CURTIS
B+	CON-FASION POSITIVO BATTERIA CURTIS	CON-FASION POSITIVO BATTERIA CURTIS
B-	CON-FASION NEGATIVO BATTERIA CURTIS	CON-FASION NEGATIVO BATTERIA CURTIS
S1	STATUS LED CURTIS	STATUS LED CURTIS

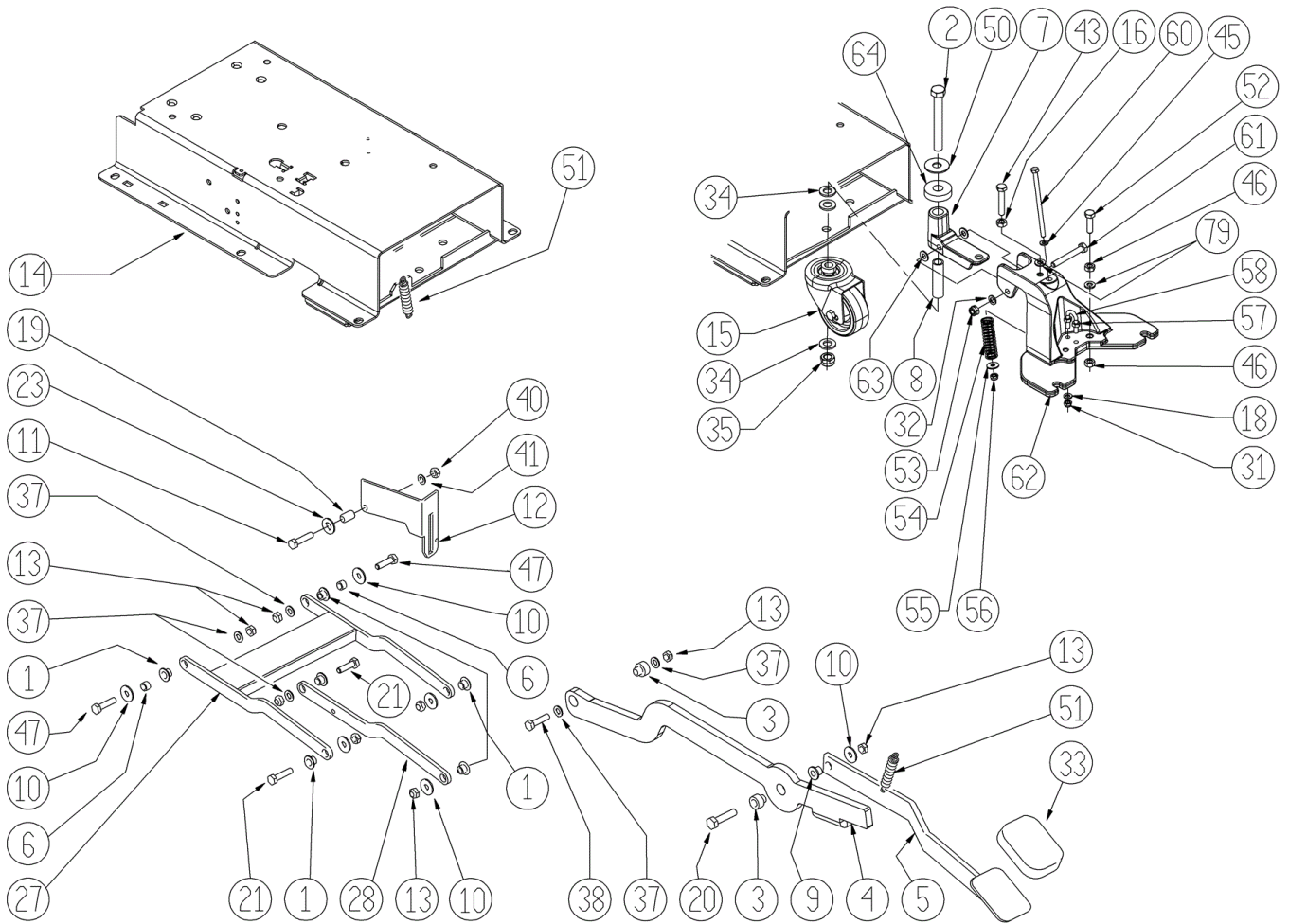
COMPONENTS		
M01	CONNECTOR- BATTERY POSITIVE	MORSETTO BATTERIA POSITIVO
M02	CONNECTOR- BATTERY NEGATIVE	MORSETTO BATTERIA NEGATIVO
C1	CONNECTOR- BRUSH MOTOR 1	CON. MOTORE SPAZZOLA -1
C2	CONNECTOR- THERMIC SW. BRUSH MOTOR 1	CON. TERMICA MOTORE SPAZZOLA -1
C3	CONNECTOR- BRUSH MOTOR 2	CON. MOTORE SPAZZOLA -2
C4	CONNECTOR- THERMIC SW. BRUSH MOTOR 2	CON. TERMICA MOTORE SPAZZOLA -2
C5	CONNECTOR- VOLUM MOTOR	CON. MOTORE ASPIRATORE
C6	CONNECTOR- "O-BM DOSE" ACCESSORY	CON. O-BM DOSE
C7	CONNECTOR- THERMIC SWITCH-TRACTION MOTOR	CON. TERMICA MOTORE TRAZIONE
C8	CONNECTOR- PRESSURE BOARD	CON. POSITIVO SCHEDA PRESSIONE
C9	CONNECTOR- BATTERY RECHARGE SAFETY	CON. SICUREZZA RICARICA BATTERIE
C10	CONNECTOR- BOARD/ ELECTROVALVE	CON. E. V. HED DA SCHEDA ELETTRONICA
C11	CONNECTOR- HND LEVER	CON. LEVA TRAZIONE
C12	CONNECTOR- RECOVERY TANK LEVEL (MAX)	CON. LIVELLO TROPPO PIENO
C13	CONNECTOR- SOLUTION TANK LEVEL (MIN)	CON. LIVELLO MINIMO
C14	CONNECTOR- FORWARD / REWARD	CON. SELETTORE MARCIA
C15	CONNECTOR- EXTERNAL BATT. CHARGER	CON. MICRO C.B. ESTERNO
C16		
C17		
C18		
C19	CONNECTOR- BATTERY RECHARGE	SPINA ANDERSON RICARICA BATTERIE
O01	CONNECTOR- CONTROL PANEL BOARD	CON. 1 SCHEDA PLANCIA
O02	CONNECTOR- CONTROL PANEL BOARD	CON. 2 SCHEDA PLANCIA
O03	CONNECTOR- CONTROL PANEL BOARD	CON. 3 SCHEDA PLANCIA
O04	CONNECTOR- CONTROL PANEL BOARD	CON. 4 SCHEDA PLANCIA

FLD001832_2

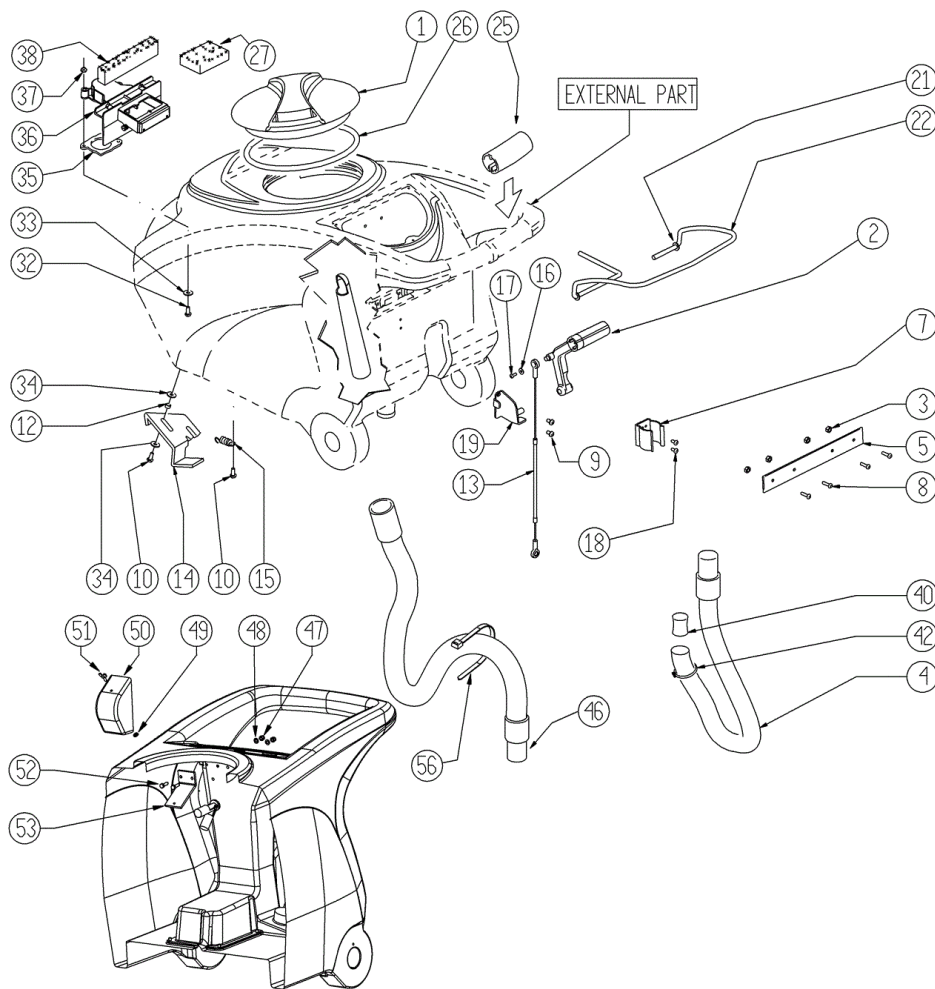
Ref.	K	Part N.	Customer Part N.	Description	Qty	Validity: From To	Price
EV1		MEEV00036		SOLENOID VALVE HOLE 8mm CLEANTIME	1,00		--
F01		MEVR02061		FUSE 80A	1,00		--
F03		MEVR02061		FUSE 80A	1,00		--
F04		MEVR02060		FUSE 40A	1,00		--
F05		MEVR01428		FUSE A LAMA 2 A. UNIVAL	1,00		--



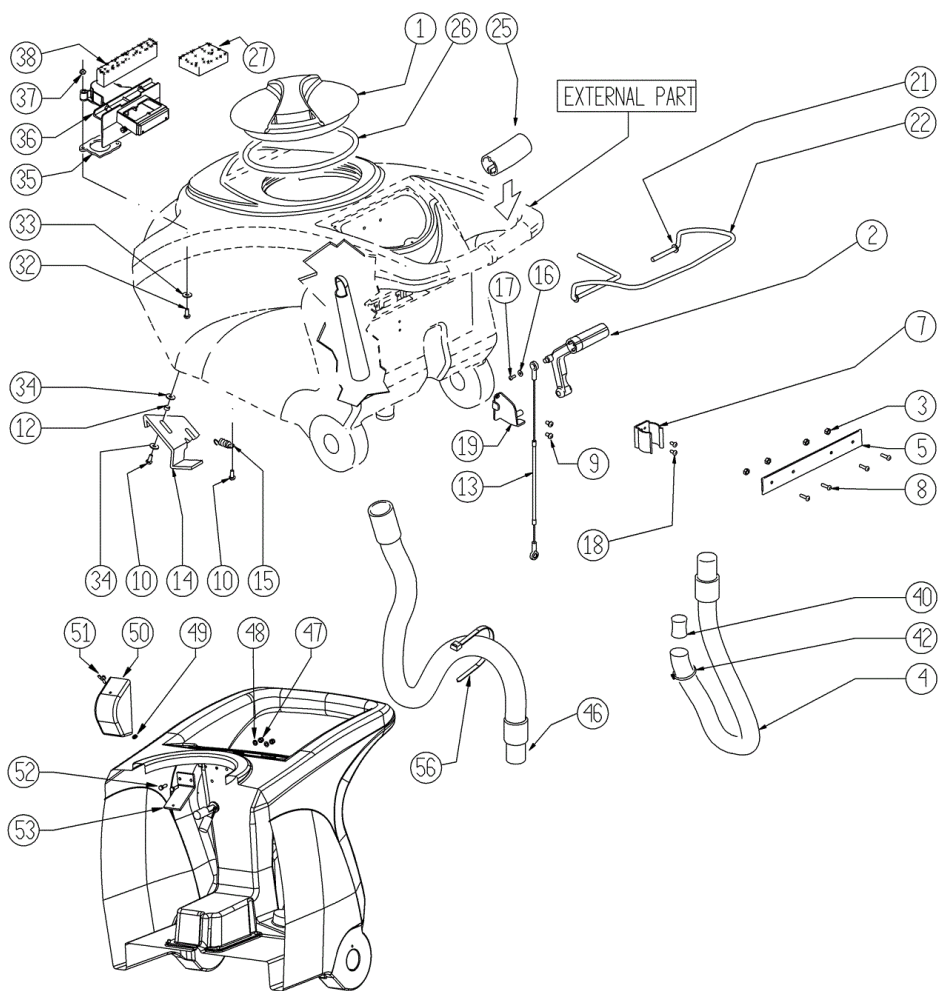
Ref.	K	Part N.	Customer Part N.	Description	Qty	Validity: From To	Price
0001		LAFN06391		BUSHING PARALLELOGRAMMA	6,00		--
0002		VTVT24212		SCREW TE M 12X100 UNI 5737 INOX	1,00		--
0003		LAFN04190		BUSHING PARALLELOGR.TEST.GR.	2,00		--
0004		LAFN07593		BRACKET LIFTING BRUSH HEAD	1,00		--
0005		LAFN09269		LEVER 90	1,00		--
0006		RCDS34717		BUSHING D. 9X12X 8.3	2,00		--
0007		MFVR00226		SUPPORT SQUEEGEE	1,00		--
0008		LAFN09006		PIN -	1,00		--
0009		LAFN51068	#8479.90.9498	BUSHING LEVA POSTER.	1,00		--
0010		VTRS13946		WASHER D. 8 X24 INX UNI 6593	6,00		--
0011		VTVT00161		SCREW TE M6X20	1,00		--
0012		LAFN10124		PLATE	1,00		--
0013		VTDD01695		NUT M 8 INX	7,00		--
0014		LAFN06422		FRAME -	1,00		--
0015		RTRT00395		WHEEL CASTOR D.80X25 PU	2,00		--
0016		VTDD15521		NUT M 8 INX A2 UNI 5588	1,00		--
0018		VTRS00245		WASHER D.6 UNI 6592 INOX	1,00		--
0019		LAFN03840		BUSHING	1,00		--
0020		VTVT15917		SCREW TE M 8X50 INOX A2 UNI	1,00		--
0021		VTVT15907		SCREW TE 8X25 UNI5739 INX	4,00		--
0023		VTRS00274		WASHER NYLON 66 D.8,4-17-2 UNI	1,00		--
0027		LAFN07563		ARM -	1,00		--
0028		LAFN06389		ARM PARALLELOGRAMMA	1,00		--
0031		VTDD01694		NUT M6 INOX	1,00		--
0032		VTRS13947		WASHER D. 8 INX UNI 6592	1,00		--
0033		MPVR05186		COVER -	1,00		--
0034		VTRS15978		WASHER D.12X24 UNI 6592 INX	1,00		--
0035		VTDD00176		NUT M.12 INOX A2 BASSO AUTOB.	3,00		--
0037		VTRS13947		WASHER D. 8 INX UNI 6592	4,00		--
0038		VTVT00429		SCREW TE M 8X 40 INX UNI 5737	1,00		--
0040		VTDD01694		NUT M6 INOX	5,00		--
0041		VTRS00245		WASHER D.6 UNI 6592 INOX	1,00		--
0043		VTVT15371		SCREW TE M 8X45 INOX A2 UNI	1,00		--
0045		VTRS00245		WASHER D.6 UNI 6592 INOX	1,00		--
0046		VTDD15521		NUT M 8 INX A2 UNI 5588	1,00		--
0047		VTVT13937		SCREW TE M 8X 30 INX UNI 5739	2,00		--
0050		VTRS09142		WASHER D.12 X 36	1,00		--
0051		MLML00303		SPRING REGISTRAZIONE FLAP	2,00		--
0052		VTVT13937		SCREW TE M 8X 30 INX UNI 5739	1,00		--



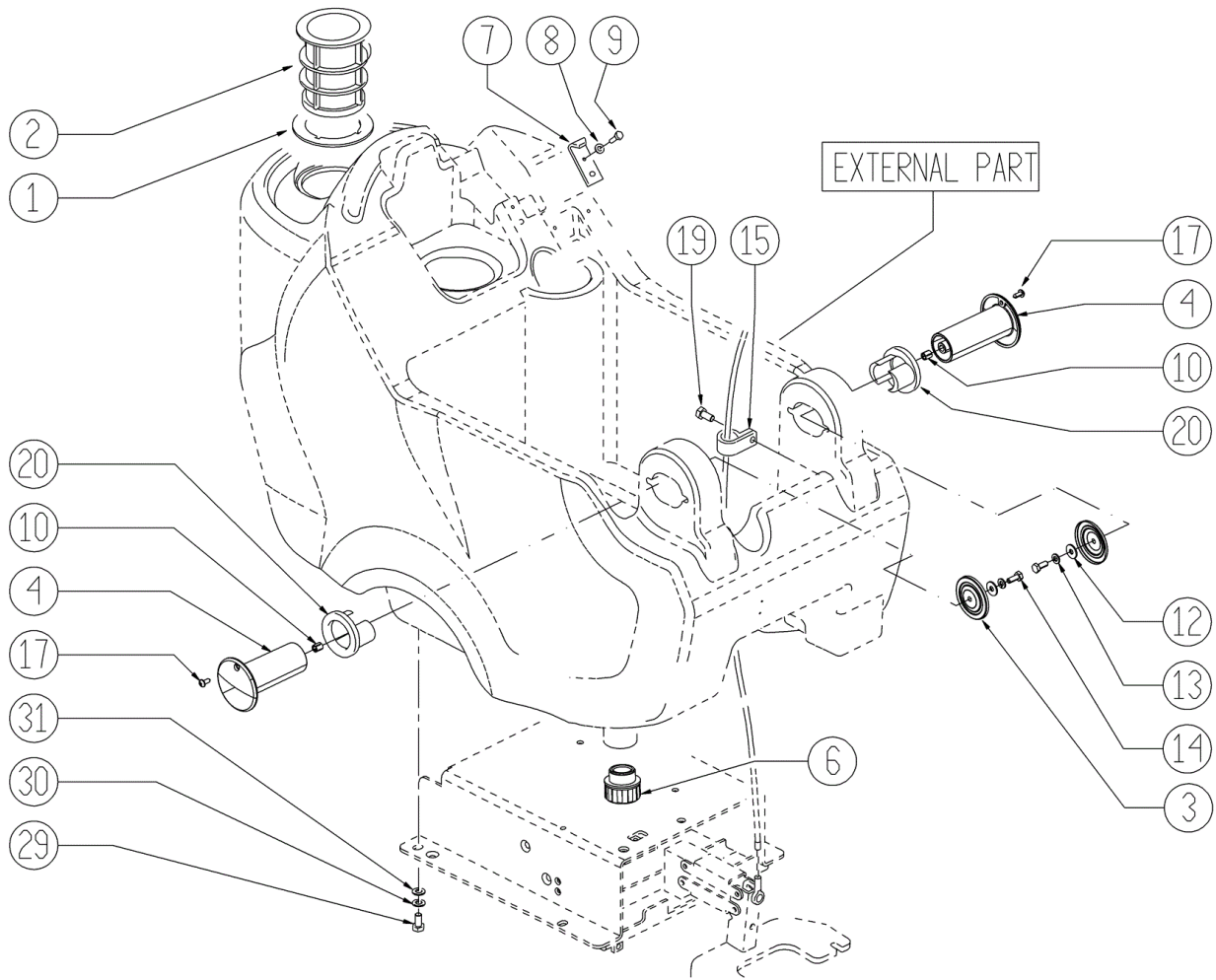
Ref.	K	Part N.	Customer Part N.	Description	Qty	Validity:		Price
						From	To	
0053		VTDD01695		NUT M 8 INX	1,00			--
0054		MLML00338		SPRING -	1,00			--
0055		VTRS13945		WASHER D. 6X18 INX UNI 6593	1,00			--
0056		VTDD01694		NUT M6 INOX	1,00			--
0057		VTDD00053		NUT M6 INOX UNI5589	1,00			--
0058		LAFN09231		BRACKET M6X11X29	1,00			--
0060		VTVT01008		SCREW 6X110	1,00			--
0061		VTVT01009		SCREW 8X60	1,00			--
0062		MFVR00227		SUPPORT SQUEEGEE	1,00			--
0063		VTRS00274		WASHER NYLON 66 D.8,4-17-2 UNI	1,00			--
0064		MPVR06069		WASHER 15X40	1,00			--
0079		VTRS15146		WASHER D. 8 INX GRW UNI 1751	2,00			--



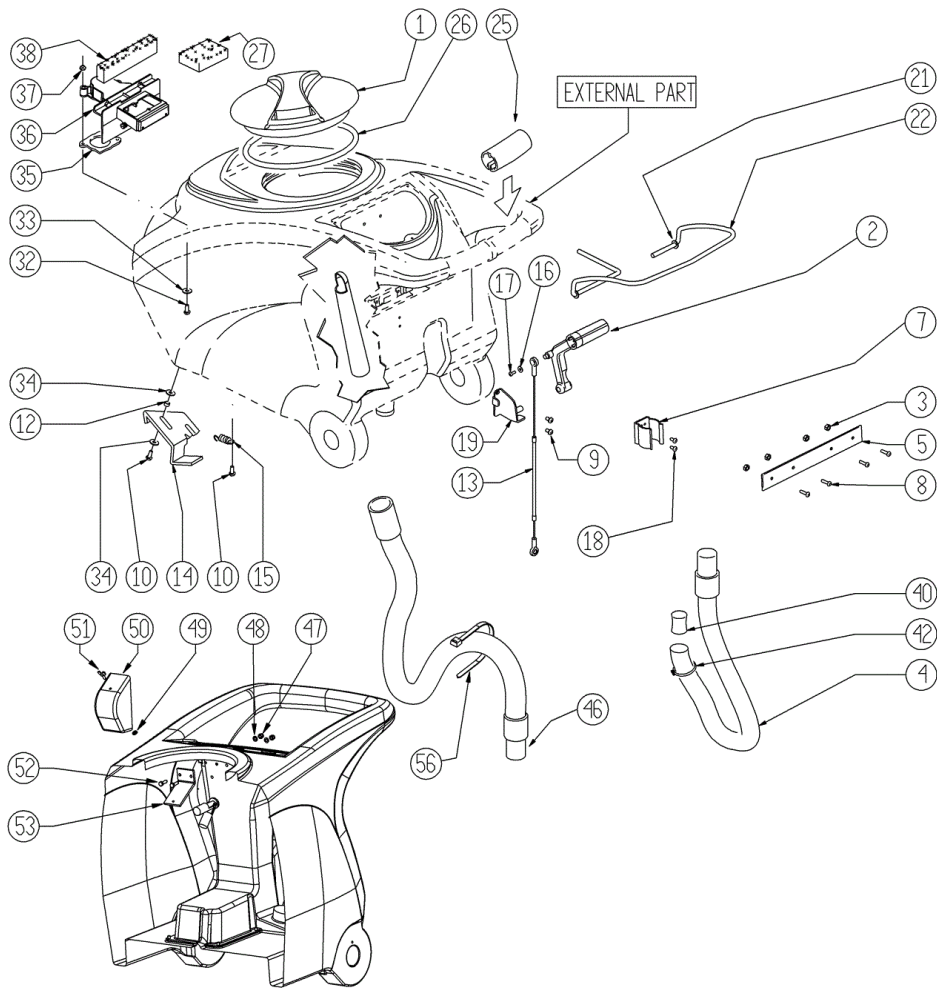
Ref. K	Part N.	Customer Part N.	Description	Qty	Validity:		Price
					From	To	
0001	MPVR04051		TANK CAP	1,00			--
0002	MPVR49942		LEVER SHK PP	1,00			--
0003	VTDD15518		NUT M 6 INX	4,00			--
0004	TBFX00358		TUBE PU CT40/70/90	1,00			--
0005	LAFN05865		PLATE COPRILEVA CONSENSO	1,00			--
0007	MPVR46988		CLIP LAV. SHK	1,00			--
0008	VTVT00651		SCREW TBEI M. 5x16 INOX	4,00			--
0009	VTVT15906		SCREW TE 6X 12 A2 UNI 5739	2,00			--
0010	VTVT15143		SCREW TE 6X16 UNI5739	3,00			--
0012	LAFN03626		SPACER	2,00			--
0013	CMCV00464		CABLE SOLLEVAMENTO TERGI	1,00			--
0014	LAFN06849		HANDLE CT 70	1,00			--
0015	MLML00203		SPRING	1,00			--
0016	VTRS00251		WASHER 4-16 INOX A2	1,00			--
0017	VTVT00800		SCREW TC 4X12 ZN	1,00			--
0018	VTVT21096		SCREW TE M 4X 10 INX	2,00			--
0019	LAFN05870		BRACKET LEVA SOLLEVAM. SQUEEGEE	1,00			--
0021	VTRS13947		WASHER D. 8 INX UNI 6592	2,00			--
0022	LAFN05861		LEVER CONSENSO SPAZZOLE	1,00			--
0025	MPVR05215		KNOB -	2,00			--
0026	GUGO00263		GASKET CIRCOLARE TAPPO	1,00			--
0027	FTDP00133		FILTER	1,00			--
0032	VTVT01139		SCREW TE M.4-25	2,00			--
0033	VTRS00515		WASHER D. 4 INX	2,00			--
0034	VTRS00274		WASHER NYLON 66 D.8,4-17-2 UNI	4,00			--
0035	GUGO00417		GASKET SCATOLA ASPIRAZIONE	1,00			--
0036	MPVR05482		BOX -	1,00			--
0037	VTDD15925		NUT M 4 INX	2,00			--
0038	GUGO00418		GASKET CONDOTTO ASPIRAZIONE	1,00			--
0040	GUGO00245		GASKET	1,00			--
0042	FSVR43136		CLAMP D. 35-40 DF.	1,00			--
0046	TBFX00353		TUBE PU CT70-CT90	1,00			--
0047	VTDD01693		NUT M 5 INX	2,00			--
0048	VTRS00516		WASHER D. 5 INX	2,00			--
0049	VTVR01038		WASHER -	1,00			--
0050	MPVR05596		PROTECTION -	1,00			--
0051	VTVT01150		SCREW 4x10	1,00			--
0052	VTVT07725		SCREW TE 5X16 UNI5739 INX	2,00			--
0053	LAFN07631		BRACKET -	1,00			--



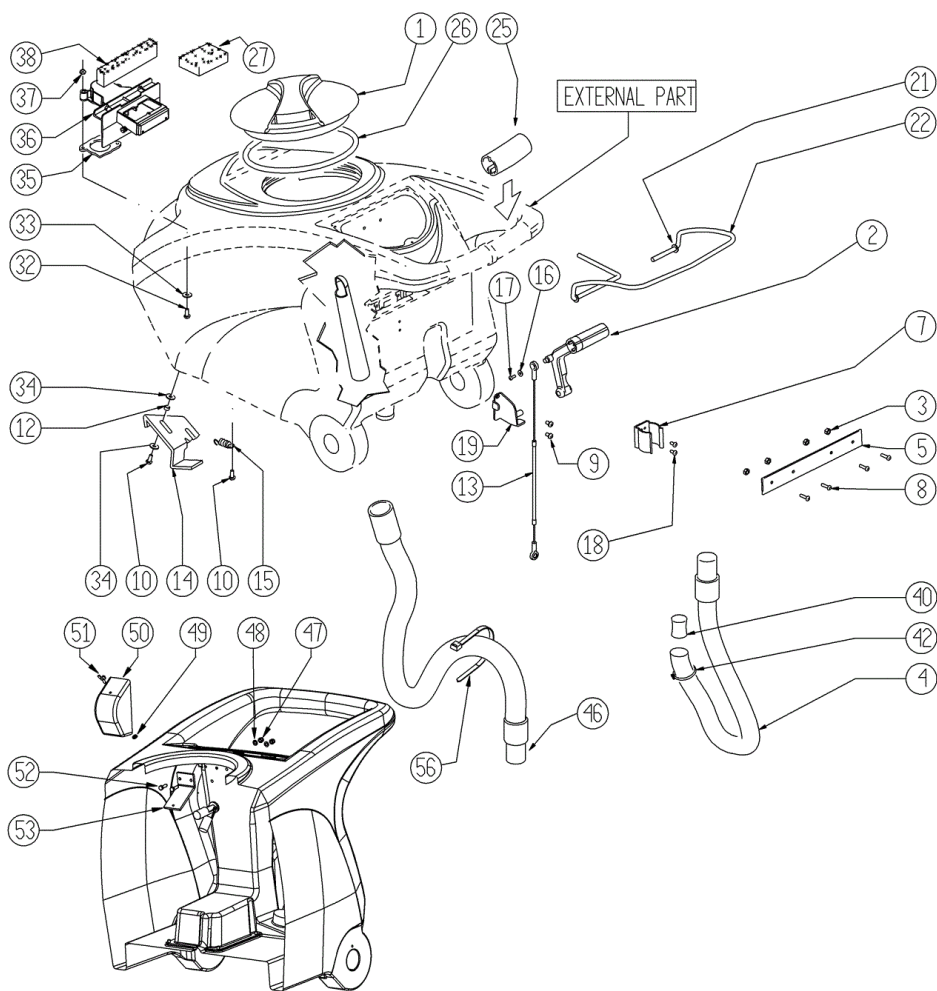
Ref. K	Part N.	Customer Part N.	Description	Qty	Validity:		Price
					From	To	
0056	FSVR00248		CLAMP -	1,00			--



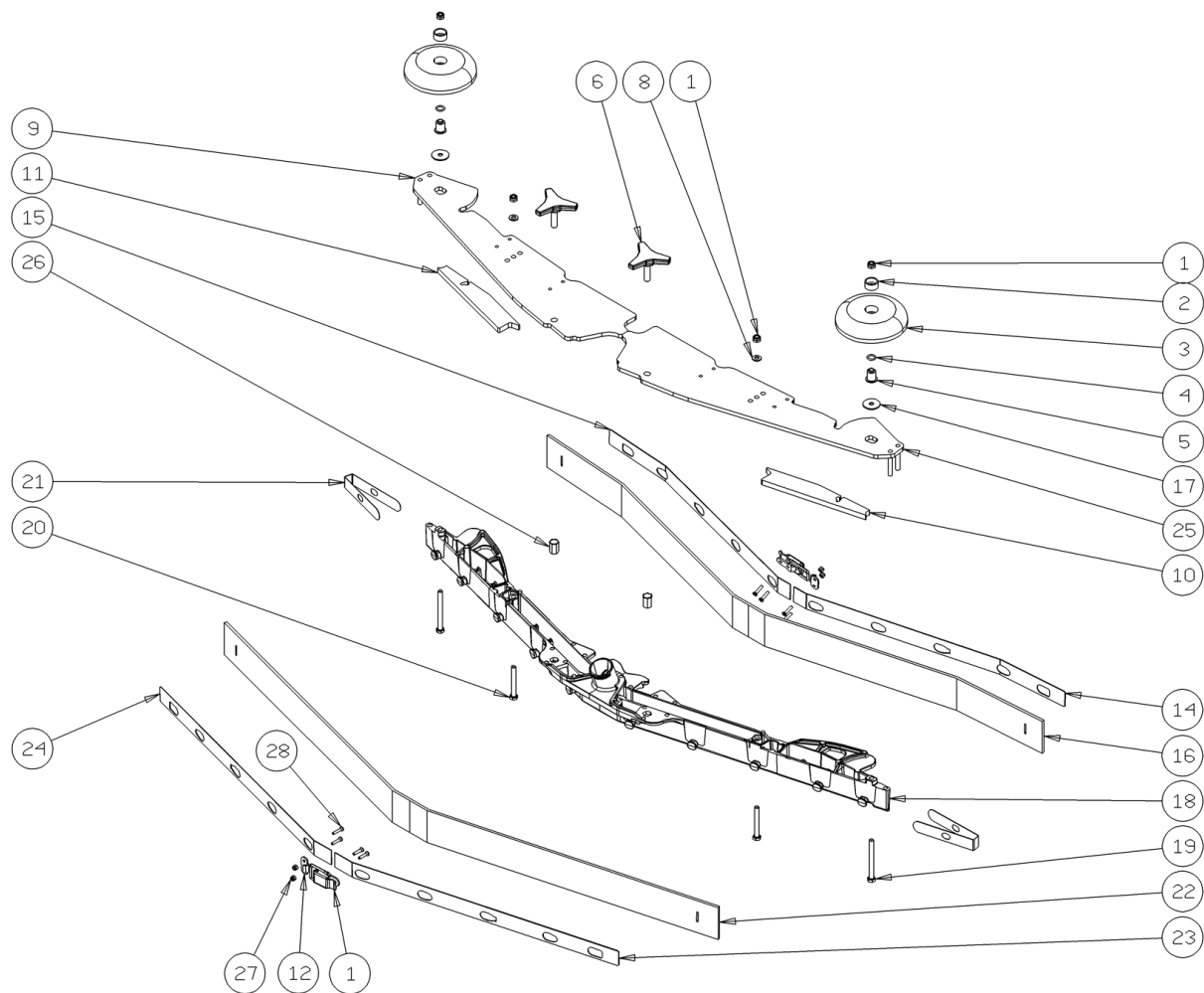
Ref. K	Part N.	Customer Part N.	Description	Qty	Validity:		Price
					From	To	
0001	GUGO00267		GASKET FILTRO	1,00			--
0002	FTAC00040		FILTER -	1,00			--
0003	LAFN07800		SHEET METAL PA.-	2,00			--
0004	MPVR48695		PIN SHK.BK	2,00			--
0006	MPVR08003		CAP	1,00			--
0007	LAFN06489		PLATE	1,00			--
0008	VTRS15144		WASHER D. 6 INX GRW UNI 1751	1,00			--
0009	VTVT01303		SCREW TE M6-10 INOX	1,00			--
0010	VTVR48693		INSERT M6 D.9	2,00			--
0012	VTRS13945		WASHER D. 6X18 INX UNI 6593	2,00			--
0013	VTRS15144		WASHER D. 6 INX GRW UNI 1751	2,00			--
0014	VTVT15143		SCREW TE 6X16 UNI5739	2,00			--
0015	MPVR02933		DUCT LOCK D.9,5	2,00			--
0017	VTVT48694		SCREW TCB TC 5 X12 UNI 9707 TZ	2,00			--
0019	VTVT15961		SCREW M 5X 16 TCB TC UNI 7687	1,00			--
0020	PMVR02028		RUBBER GRUPPO MONTAGGIO	2,00			--
0029	VTVT15916		SCREW TE M 8X 16 UNI 5739 A2	4,00			--
0030	VTRS00269		WASHER D. 8 DIN 6798-A INX A2	4,00			--
0031	VTRS13947		WASHER D. 8 INX UNI 6592	4,00			--



Ref. K	Part N.	Customer Part N.	Description	Qty	Validity:		Price
					From	To	
0001	MPVR04051		TANK CAP	1,00			--
0002	MPVR49942		LEVER SHK PP	1,00			--
0003	VTDD15518		NUT M 6 INX	4,00			--
0004	TBFX00348		TUBE CT40-70-90 HOSE DRAIN	1,00		04/2013	--
0004	TBFX00358		TUBE PU CT40/70/90	1,00	04/2013		--
0005	LAFN05865		PLATE COPRILEVA CONSENSO	1,00			--
0007	MPVR46988		CLIP LAV. SHK	1,00			--
0008	VTVT00651		SCREW TBEI M. 5x16 INOX	4,00			--
0009	VTVT15906		SCREW TE 6X 12 A2 UNI 5739	2,00			--
0010	VTVT15143		SCREW TE 6X16 UNI5739	3,00			--
0012	LAFN03626		SPACER	2,00			--
0013	CMCV00361		CABLE CABLE LIFTING SQUEEGEE HD	1,00			--
0014	LAFN06849		HANDLE CT 70	1,00			--
0015	MLML00203		SPRING	1,00			--
0016	VTRS00251		WASHER 4-16 INOX A2	1,00			--
0017	VTVT00800		SCREW TC 4X12 ZN	1,00			--
0018	VTVT21096		SCREW TE M 4X 10 INX	2,00			--
0019	LAFN05870		BRACKET LEVA SOLLEVAM. SQUEEGEE	1,00			--
0021	VTRS13947		WASHER D. 8 INX UNI 6592	2,00			--
0022	LAFN05861		LEVER CONSENSO SPAZZOLE	1,00			--
0025	MPVR05215		KNOB -	2,00			--
0026	GUGO00263		GASKET CIRCOLARE TAPPO	1,00			--
0027	FTDP00133		FILTER	1,00			--
0032	VTVT01139		SCREW TE M.4-25	2,00			--
0033	VTRS00515		WASHER D. 4 INX	2,00			--
0034	VTRS00274		WASHER NYLON 66 D.8,4-17-2 UNI	4,00			--
0035	GUGO00417		GASKET SCATOLA ASPIRAZIONE	1,00			--
0036	MPVR05482		BOX -	1,00			--
0037	VTDD15925		NUT M 4 INX	2,00			--
0038	GUGO00418		GASKET CONDOTTO ASPIRAZIONE	1,00			--
0040	GUGO00245		GASKET	1,00			--
0042	FSVR43136		CLAMP D. 35-40 DF.	1,00			--
0046	TBFX00353		TUBE PU CT70-CT90	1,00			--
0047	VTDD01693		NUT M 5 INX	2,00			--
0048	VTRS00516		WASHER D. 5 INX	2,00			--
0049	VTVR01038		WASHER -	1,00			--
0050	MPVR05596		PROTECTION -	1,00			--
0051	VTVT01150		SCREW 4x10	1,00			--
0052	VTVT07725		SCREW TE 5X16 UNI5739 INX	2,00			--



Ref.	K	Part N.	Customer Part N.	Description	Qty	Validity:		Price
						From	To	
0053		LAFN07631		BRACKET -	1,00			--
0056		FSVR00248		CLAMP -	1,00			--



Ref.	K	Part N.	Customer Part N.	Description	Qty	Validity:		Price
						From	To	
0001		LAFN09302		CLOSURE -	2,00	09/2013		--
0002		MPVR49229		BUSHING SHK	2,00			--
0003		MPVR05290		ROLLER PARACOLPI	2,00			--
0004		GUGO00164		GASKET	2,00			--
0005		LAFN04100		SPACER PER RUOTINO PARACOLPI	2,00			--
0006		MPVR06003		KNOB AISI 304	2,00		03/2013	--
0006		MPVR06004		KNOB AISI 304	2,00	03/2013		--
0008		VTRS00245		WASHER D.6 UNI 6592 INOX	2,00			--
0009		LAFN09014		PLATE -	1,00			--
0010		GUVR00303		GASKET -	1,00			--
0011		GUVR00302		GASKET -	1,00			--
0012		LAFN09301		SOCKET -	2,00	09/2013		--
0014		LAFN08952		BRACKET -	1,00		09/2013	--
0014		LAFN09284		SHEET METAL PA.-	1,00	09/2013		--
0015		LAFN08953		BRACKET -	1,00		09/2013	--
0015		LAFN09285		SHEET METAL PA.-	1,00	09/2013		--
0016		MPVR08040		BLADE L LATEX	1,00			--
0017		VTRS16937		WASHER 6x24 INOX UNI 6593	2,00			--
0018		KTRI02049		BODY SQUEEGEE PRESSOFUSO "L"	1,00			--
0019		VTVT00841		SCREW TE M 6X65 UNI 5739 INX	2,00			--
0020		VTVT15515		SCREW TE M 6X 50 INOX A2	2,00			--
0021		MPVR05898		CLOSURE L	2,00			--
0022		MPVR08036		BLADE L LATEX	1,00			--
0023		LAFN08954		BRACKET -	1,00		09/2013	--
0023		LAFN09286		SHEET METAL PA.-	1,00	09/2013		--
0024		LAFN08955		BRACKET -	1,00		09/2013	--
0024		LAFN09287		SHEET METAL PA.-	1,00	09/2013		--
0025		LAFN09015		PLATE -	1,00			--
0026		VTVR00565		INSERT	2,00			--
0027		VTDD00210		NUT M 3 INOX	8,00	09/2013		--
0028		VTVT01070		SCREW TSTC M3X8	8,00	09/2013		--