



Electronic Service Manuals

This electronic document is provided as a service to our customers. We do not create the contents of the information contained in this document. Should you have detailed questions pertaining to the information contained in this document, you may contact Michco, or the manufacturer which provided the original information in this electronic deliverable. Michco's only part in this electronic deliverable was the electronic assembly process. By providing this manual on line we are not guaranteeing parts availability.

You may contact Michco through the following methods:

Phone (517) 484-9312 or (800) 331-3339

2011 N. High St. -- Lansing, Michigan -- 48906

Fax: (517) 484-9836

Email: CustServe@Michco.com

Web site: www.Michco.Com

Parts Web site: www.FloorMachineParts.Com

Order Parts on Line at:

www.FloorMachineParts.Com

Directly to Parts & Service:

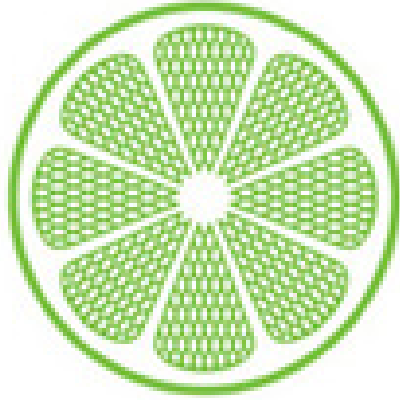
By Email: **Shop@Michco.com**

By Fax: (517) 702-2041

By Voice: Use numbers above.

Serving the Cleaning Industry Since 1922

Notice: All copyrighted material remains property of original owners, all trademarks are property of respective owners. Manuals are subject to Manufacturer's reproduction limitations. Originals or reproductions were provided by manufacturers through a request. We make no warranty as to the correctness of information provided in this document and you assume all risk. By placing these manuals on line we are not declaring our corporation to be an manufacturer authorized dealer or provider, please check our web site for authorized manufacturers we represent.



IPC Integrated Professional Cleaning

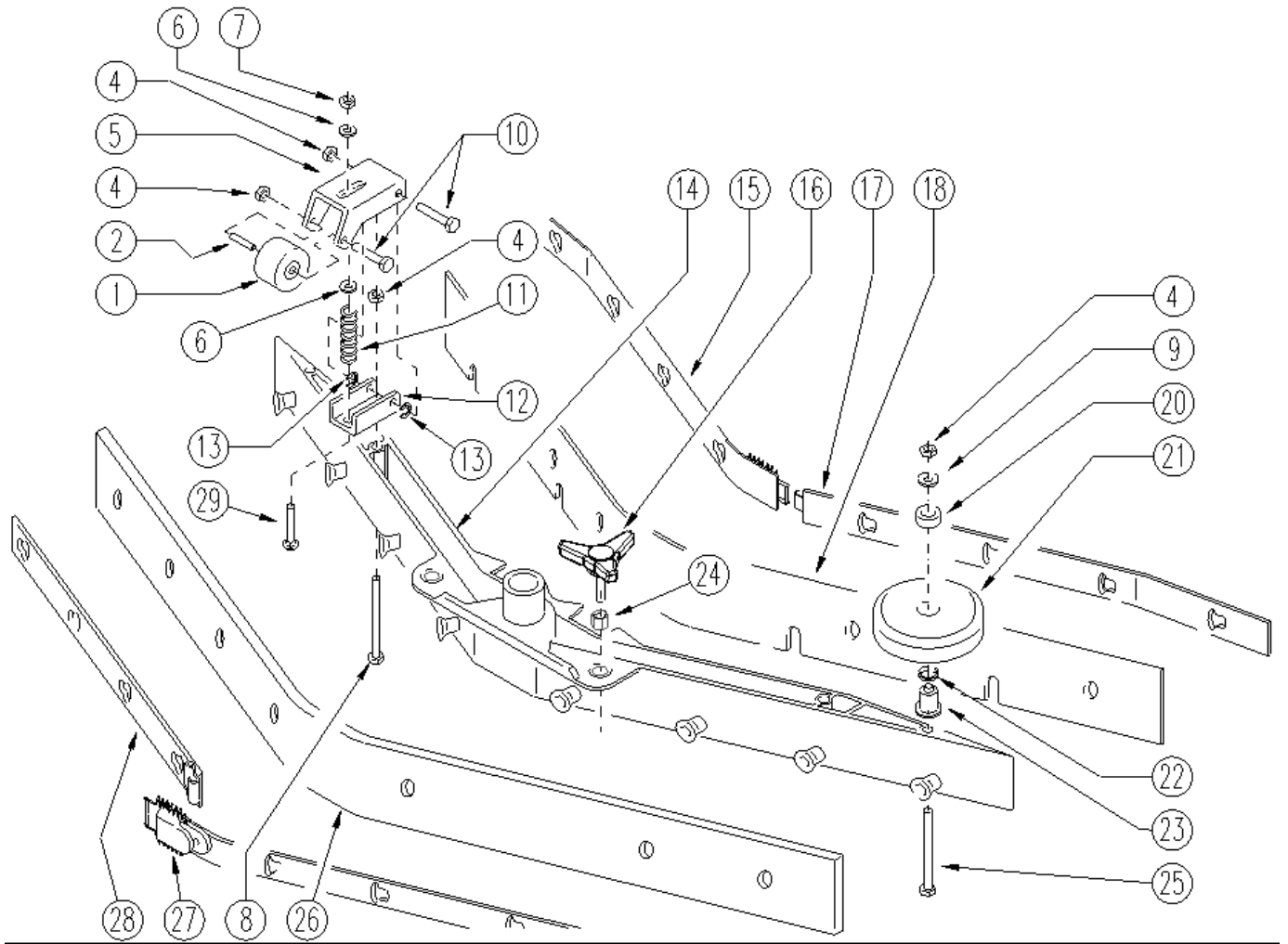
IPC Gansow

Spare Parts List

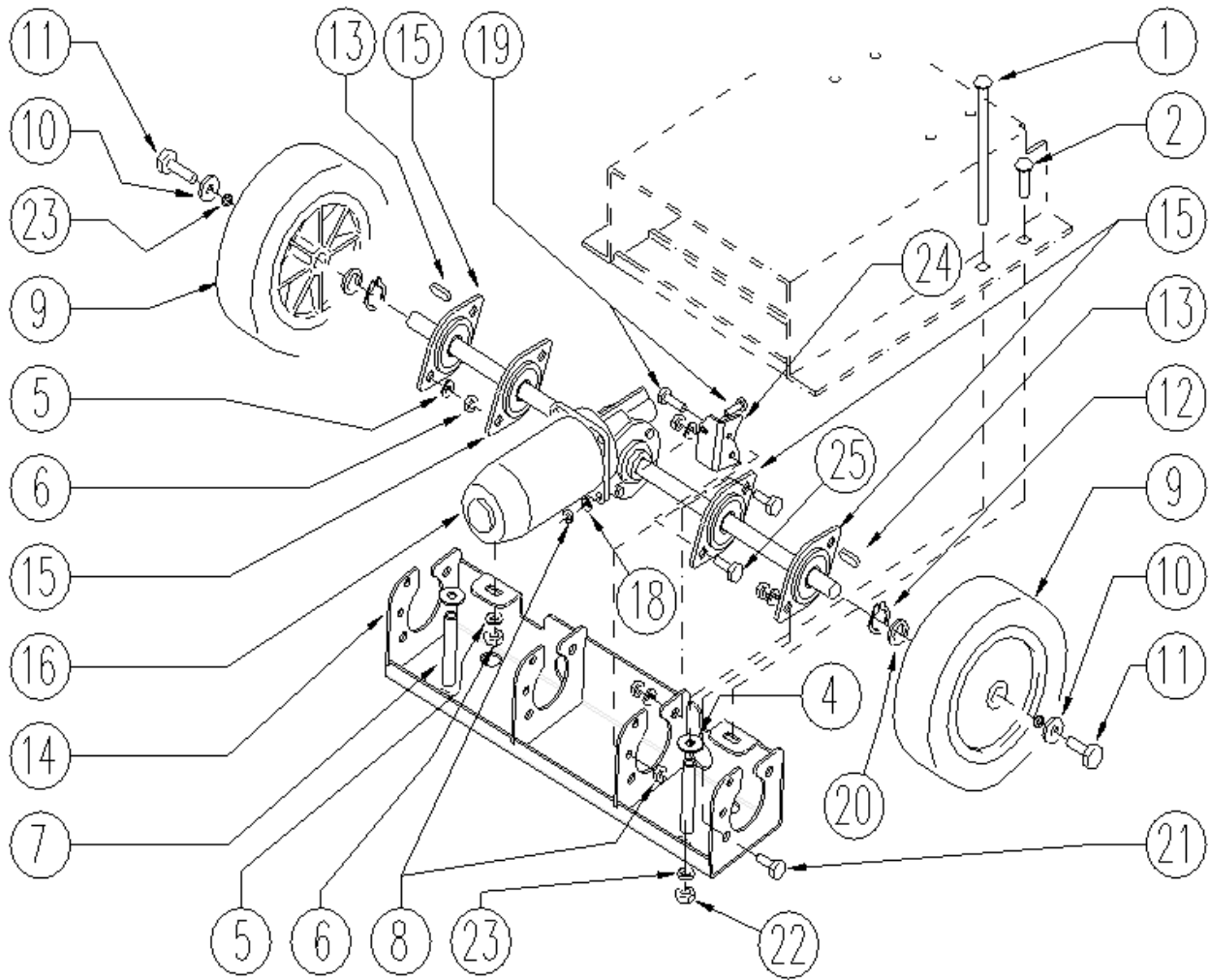
IPC EAGLE

Ref: LPTB02404

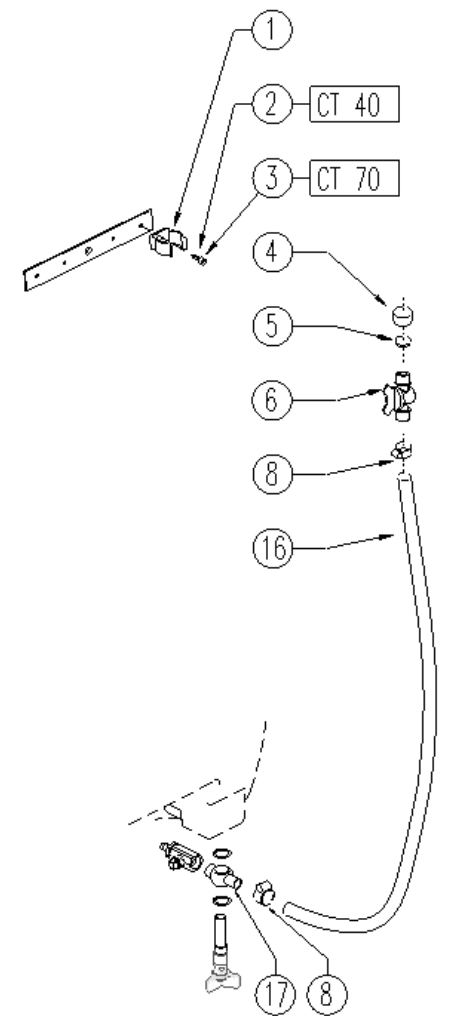
Model: CT70 BT70 ECS+CB GR/VE USA



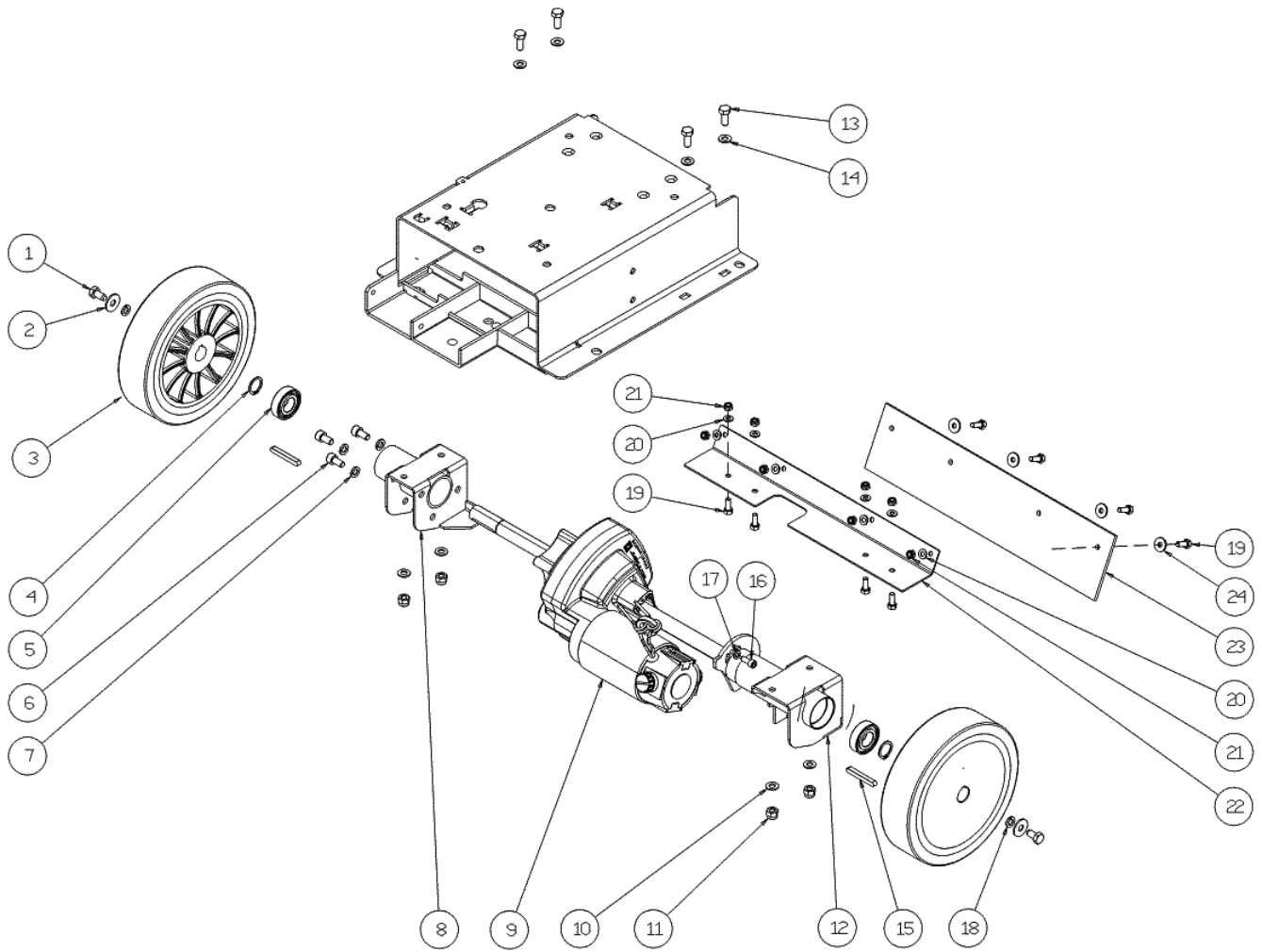
Ref.	K	Part N.	Customer Part N.	Description	Qty	Validity:		Price
						From	To	
0001		RTRT49413		WHEEL D. 60-D.15 X36 NYL.	2,00			--
0002		LAFN04041		SPACER D6/15	2,00			--
0004		VTDD01694		NUT M6 INOX	8,00			--
0005		LAFN05559		SUPPORT RUOTINO	2,00			--
0006		VTRS13947		WASHER D. 8 INX UNI 6592	4,00			--
0007		VTDD01695		NUT M 8 INX	2,00			--
0008		VTVT15142		SCREW TE M 6x45 INOX	2,00			--
0009		VTRS00245		WASHER D.6 UNI 6592 INOX	2,00			--
0010		VTVT15515		SCREW TE M 6X 50 INOX A2	4,00			--
0011		MLML49422		SPRING D.15X 45 X1	2,00			--
0012		LAFN51069		BRACKET SUPP.RUOTINO SQUEEGEE	2,00			--
0013		VTAE45707	#8479.90.9498	CIRCLIP D. 6 UNI 7434 INOX	4,00			--
0014		KTRI02049		BODY SQUEEGEE PRESSOFUSO "L"	1,00			--
0015		LAFN51047		LAMINATION BLOCCA LAMA ANTER.SX "L"	1,00			--
0016		MPVR05265		KNOB 8X25	2,00			--
0017		LAFN51046		LAMINATION BLOCCA LAMA ANTER.DX "L"	1,00			--
0018		MPVR48380		RUBBER BLADE LAV. 890	1,00			--
0020		MPVR49229		BUSHING SHK	2,00			--
0021		MPVR05290		ROLLER PARACOLPI	2,00			--
0022		GUGO00164		GASKET	2,00			--
0023		LAFN04100		SPACER PER RUOTINO PARACOLPI	2,00			--
0024		VTVR00022		INSERT FILETTATO ESAGONALE M8	2,00			--
0025		VTVT00841		SCREW TE M 6X65 UNI 5739 INX	2,00			--
0026		MPVR48379		RUBBER BLADE LAV. 890 PARA	1,00			--
0027		LAFN05675		BLADE HOLDER POSTERIORE DX (L)	1,00			--
0028		LAFN05674		BLADE HOLDER POSTERIORE SX (L)	1,00			--
0029		VTVT01304		SCREW M 8X 40 TTQST UNI 5731	2,00			--



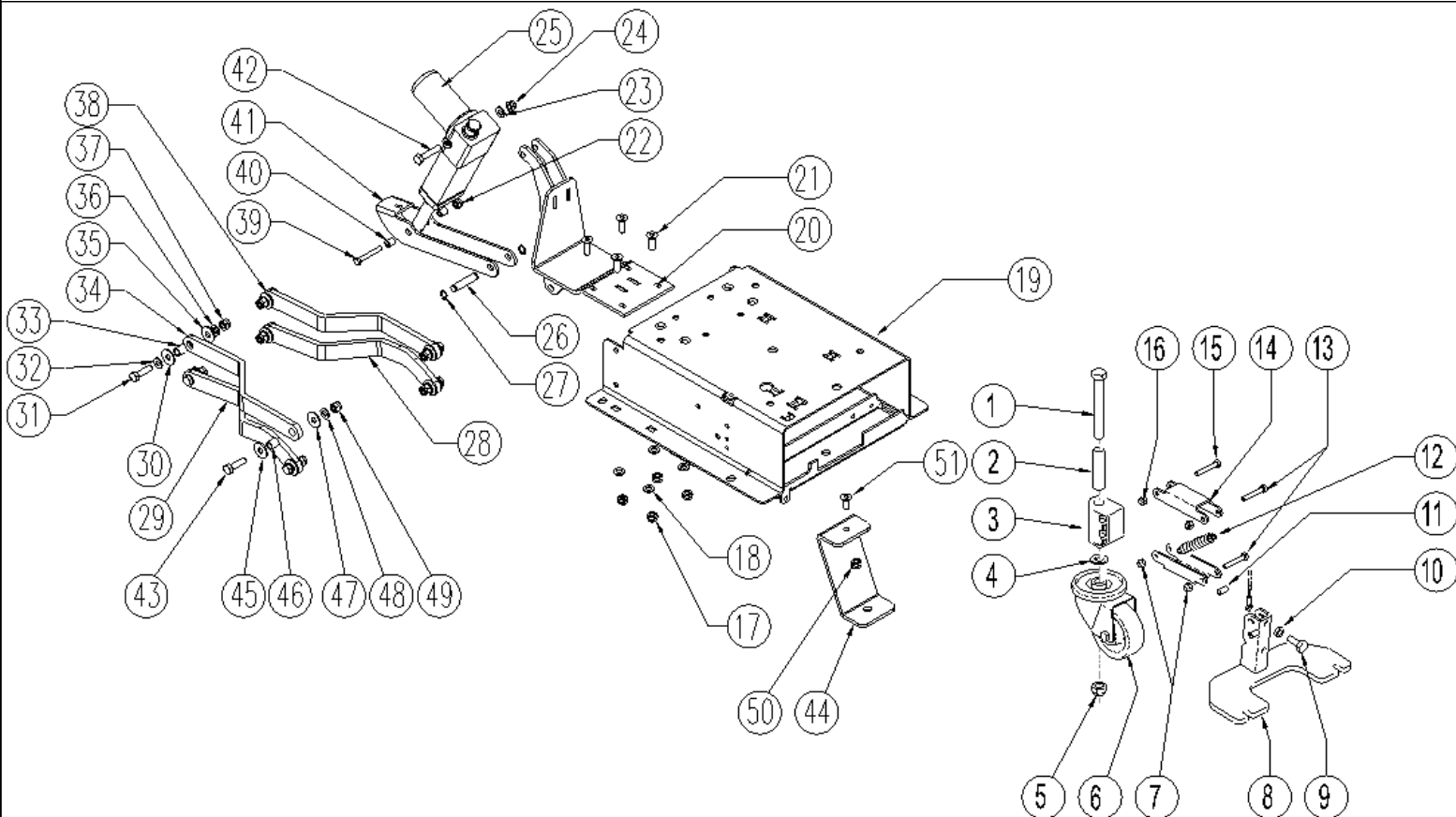
Ref.	K	Part N.	Customer Part N.	Description	Qty	Validity:		Price
						From	To	
0001		VTVT01140		SCREW TTTQS M8-100	2,00			--
0002		VTVT00842		SCREW	2,00			--
0004		VTRS13946		WASHER D. 8 X24 INX UNI 6593	2,00			--
0005		VTRS13947		WASHER D. 8 INX UNI 6592	10,00			--
0006		VTDD01695		NUT M 8 INX	10,00			--
0007		LAFN04155		SPACER ASSE LEVA MOLLA PRESS.	2,00			--
0008		VTDD01694		NUT M6 INOX	2,00			--
0009		RTRT00521		WHEEL -	2,00	12/2008	01/2010	--
0009		RTRT00524		WHEEL -	2,00	01/2010	05/2010	--
0009		RTRT00529		WHEEL D200	2,00	05/2010		--
0009		RTRT36352		WHEEL D.200 DRW	2,00		12/2008	--
0010		VTRS13946		WASHER D. 8 X24 INX UNI 6593	2,00			--
0011		VTVT15916		SCREW TE M 8X 16 UNI 5739 A2	2,00			--
0012		VTAE06193		CIRCLIP D. 20 UNI 7435	2,00			--
0013		VTVR33668		KEY 6x 6x40 UNI 6604A	2,00			--
0014		LAFN07418		SUPPORT MOTORE	1,00			--
0015		CUVR00105		SUPPORT	4,00			--
0016		MEVR01070		CARBON	2,00			--
0016		MOCC00301		MOTOR AOMPDIF 24V 165W 130G	1,00		09/2007	--
0016		MOCC00335		MOTOR 180W	1,00	09/2007	07/2008	--
0016		MOCC00347		MOTOR 180W	1,00	07/2008		--
0018		VTRS00245		WASHER D.6 UNI 6592 INOX	2,00			--
0019		VTVT13939		SCREW TE 6X20 UNI5739 INX	2,00			--
0020		VTRS00032		THICKNESS 20,2X28X1 DIN 988	2,00		12/2008	--
0021		VTVT13938		SCREW TE 8X20 UNI5739 INX	7,00			--
0022		VTDD15521		NUT M 8 INX A2 UNI 5588	2,00			--
0023		VTRS15146		WASHER D. 8 INX GRW UNI 1751	4,00			--
0024		LAFN06873		BRACKET -	1,00			--
0025		VTVT15907		SCREW TE 8X25 UNI5739 INX	1,00			--



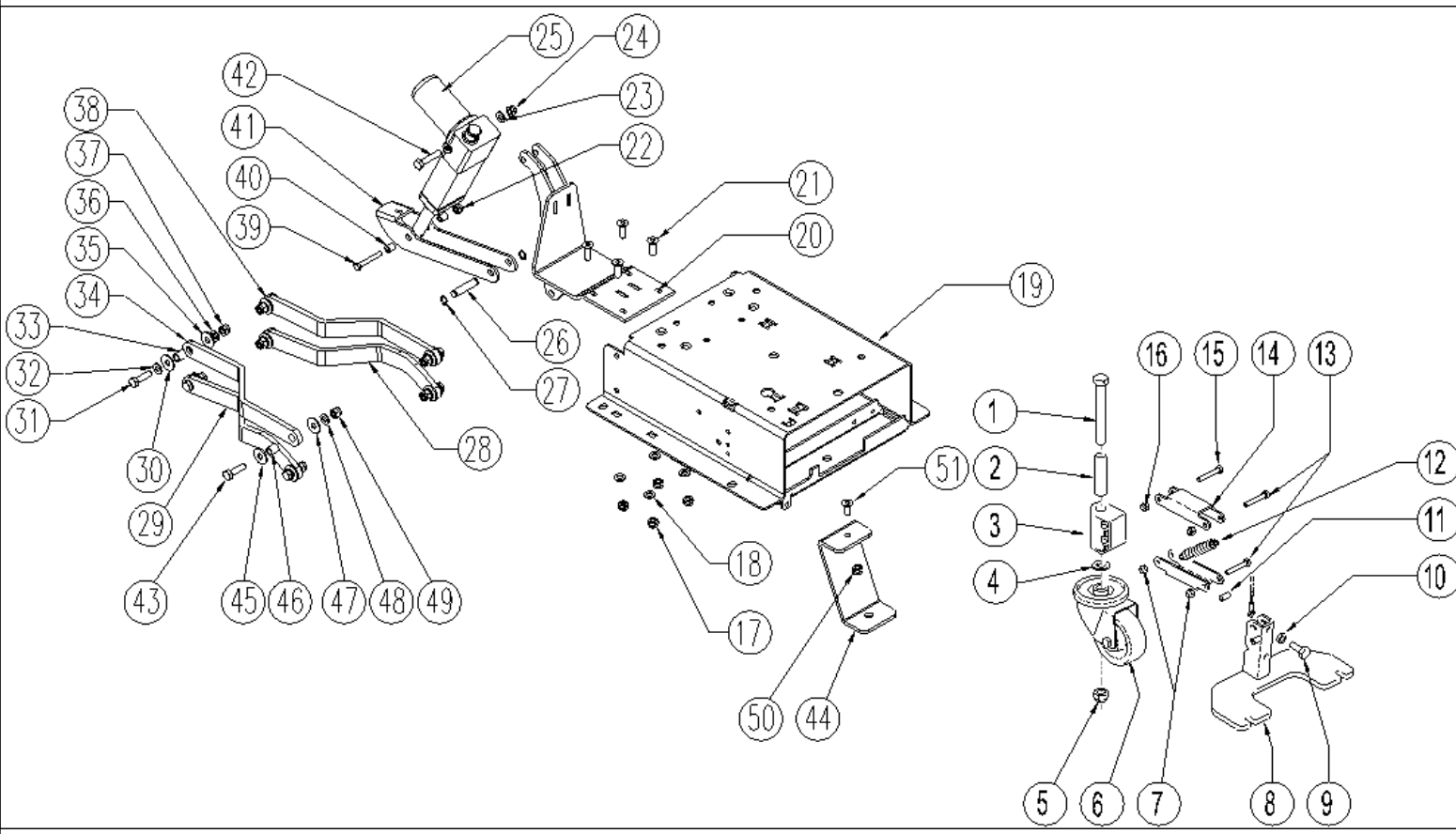
Ref.	K	Part N.	Customer Part N.	Description	Qty	Validity:		Price
						From	To	
0001		MPVR05280		CLIP M25	1,00			--
0002		VTVT19236		SCREW TCEI 5X20 UNI 5931	1,00			--
0003		VTVT01327		SCREW TCEI 5X25 UNI5931	1,00			--
0004		RCVR00353		CAP 1/2"G X ELETTROV. ACL	1,00			--
0005		GUGO00268		GASKET D.21 SP.3 GOMMA	1,00			--
0006		RCVR00590		CONNECTOR 1/2 M RESCA 15	1,00			--
0008		FSVR00428		CLAMP D. 12-20	4,00			--
0016		TBBP00435		TUBE D.16	1,00			--
0017		RCVR00747		CONNECTOR G 1/2	1,00			--



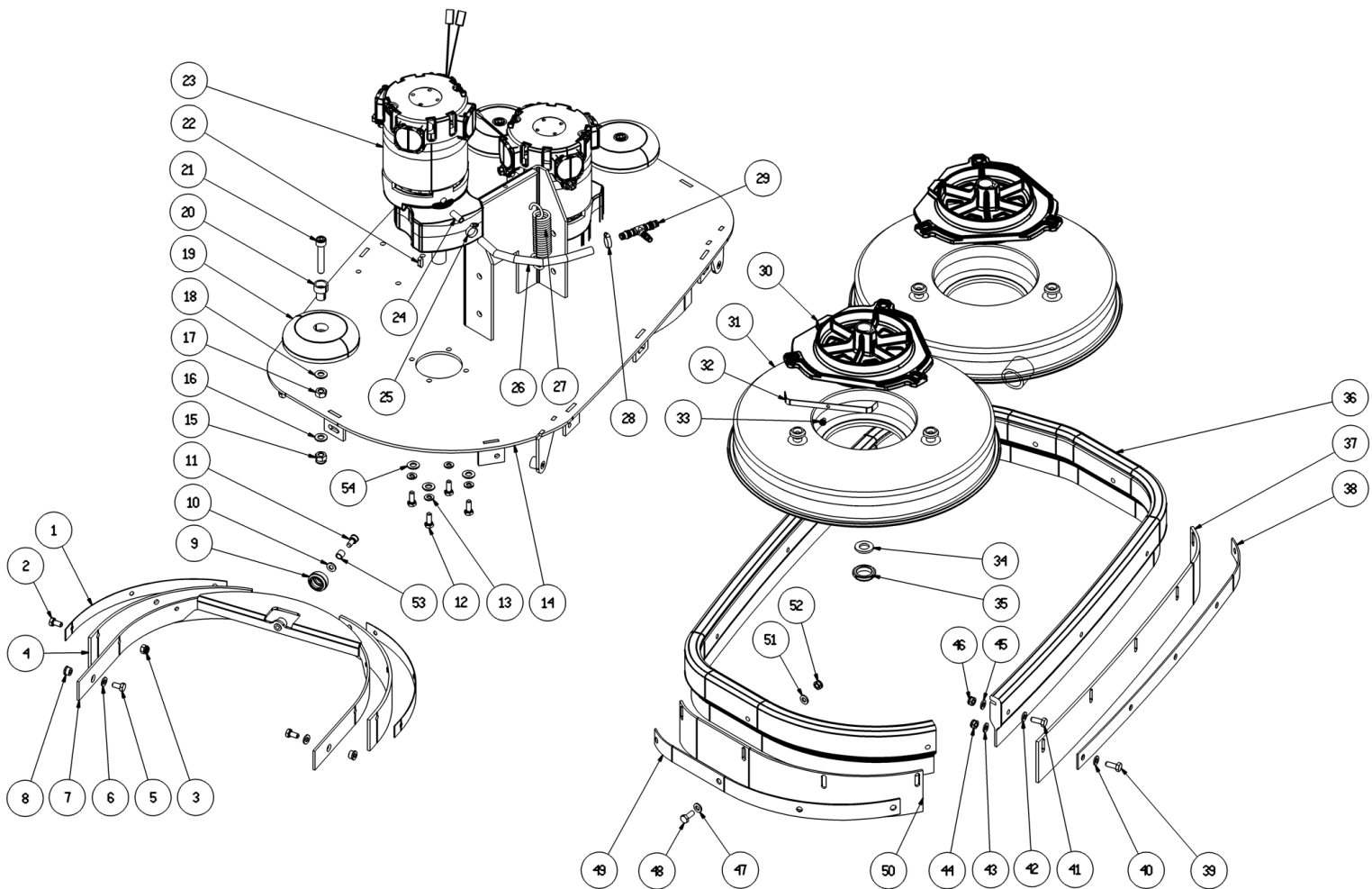
Ref.	K	Part N.	Customer Part N.	Description	Qty	Validity:		Price
						From	To	
0001		VTVT15916		SCREW TE M 8X 16 UNI 5739 A2	2,00			--
0002		VTRS13946		WASHER D. 8 X24 INX UNI 6593	2,00			--
0003		RTRT00524		WHEEL -	2,00		05/2010	--
0003		RTRT00529		WHEEL D200	2,00	05/2010	06/2012	--
0003		RTRT00546		WHEEL D.200	2,00	06/2012		--
0004		VTAE06193		CIRCLIP D. 20 UNI 7435	2,00			--
0005		CUVR00083		BEARING 6004 2RS H SKF	2,00	09/2011	04/2013	--
0005		CUVR00190		BEARING 6004	2,00	04/2013		--
0005		CUVR19846		BALL BEARING 6004 2RS1	2,00		09/2011	--
0006		VTVT00876		SCREW TCEI M.8-16	3,00			--
0007		VTRS15146		WASHER D. 8 INX GRW UNI 1751	3,00			--
0008		LAFN07811		SUPPORT -	1,00			--
0009		MOCC00022		CARBON X MOT.COD.MOCC86902	2,00			--
0009		MOCC00373		MOTOR -	1,00		10/2010	--
0009		MOCC00395		MOTOR TRACTION 24V 200W 150G	1,00	10/2010		--
0010		VTRS13947		WASHER D. 8 INX UNI 6592	4,00			--
0011		VTDD01695		NUT M 8 INX	4,00			--
0012		LAFN07813		SUPPORT -	1,00			--
0013		VTVT15916		SCREW TE M 8X 16 UNI 5739 A2	4,00			--
0014		VTRS13947		WASHER D. 8 INX UNI 6592	4,00			--
0015		VTVR00566		KEY 6X10X40	2,00	06/2012		--
0015		VTVR33668		KEY 6x 6x40 UNI 6604A	2,00		06/2012	--
0016		VTVT00717		SCREW TCEI M. 6-16	2,00			--
0017		VTRS15144		WASHER D. 6 INX GRW UNI 1751	2,00			--
0018		VTRS15144		WASHER D. 6 INX GRW UNI 1751	2,00			--
0019		VTVT15143		SCREW TE 6X16 UNI5739	8,00	07/2012		--
0020		VTRS00245		WASHER D.6 UNI 6592 INOX	8,00	07/2012		--
0021		VTDD01694		NUT M6 INOX	8,00	07/2012		--
0022		LAFN07951		BRACKET CT40-90	1,00	07/2012		--
0023		MPVR06230		FLAP CT40 CT70-90	1,00	07/2012		--
0024		VTRS13945		WASHER D. 6X18 INX UNI 6593	4,00	07/2012		--



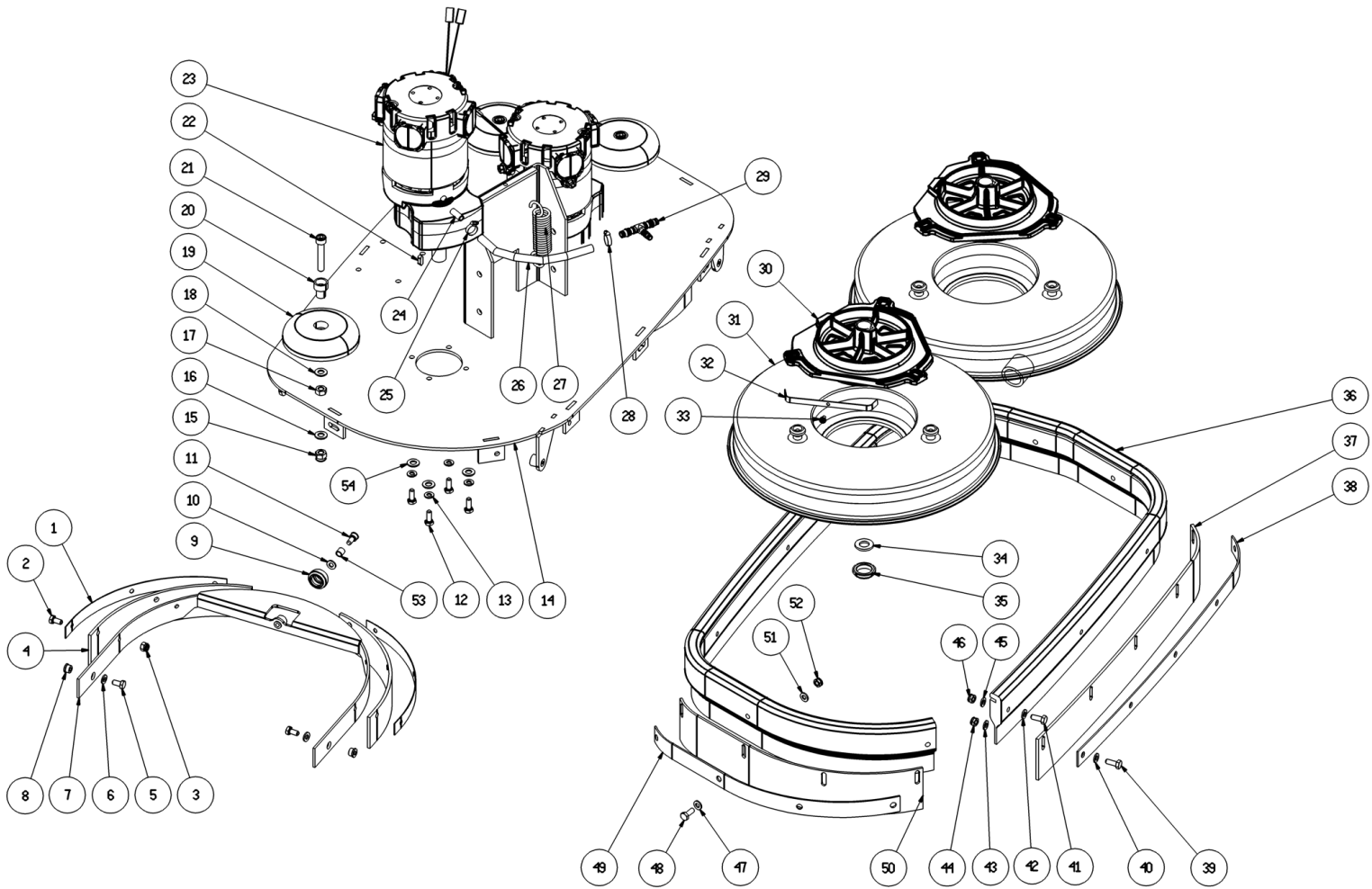
Ref.	K	Part N.	Customer Part N.	Description	Qty	Validity:		Price
						From	To	
0001		VTVT24212		SCREW TE M 12X100 UNI 5737 INOX	1,00			--
0002		LAFN04188		PIN ROTAZIONE SQUEEGEE	1,00			--
0003		MPVR04734		BLOCK TERGI	1,00			--
0004		VTRS15978		WASHER D.12X24 UNI 6592 INX	1,00			--
0005		VTDD00176		NUT M.12 INOX A2 BASSO AUTOB.	1,00			--
0006		RTRT00395		WHEEL CASTOR D.80X25 PU	1,00	08/2012		--
0006		RTRT00518		WHEEL CASTOR D.80X30	1,00		08/2012	--
0007		VTDD01694		NUT M6 INOX	4,00			--
0008		LAFN07560		PLATE -	1,00			--
0009		VTVT00410		SCREW TE M8x35 UNI5739 INOX	1,00	04/2011		--
0009		VTVT13937		SCREW TE M 8X 30 INX UNI 5739	1,00		04/2011	--
0010		VTDD15521		NUT M 8 INX A2 UNI 5588	1,00			--
0011		LAFN06898		SPACER 6-8 h15	1,00			--
0012		MLML00303		SPRING REGISTRAZIONE FLAP	1,00			--
0013		VTVT01683		SCREW TE 6X40	4,00			--
0014		LAFN05853		LEVER ARM SOLLEVAMENTO TERGI	2,00			--
0015		VTVT15145		SCREW TE 6X40 UNI5739 INX	2,00			--
0016		VTDD01694		NUT M6 INOX	4,00			--
0017		VTDD01695		NUT M 8 INX	4,00			--
0018		VTRS13947		WASHER D. 8 INX UNI 6592	4,00			--
0019		LAFN07606		BASE -	1,00			--
0020		LAFN07823		SUPPORT -	1,00			--
0021		VTVT01352		SCREW TSPEI M8X20	4,00			--
0022		VTDD01694		NUT M6 INOX	1,00			--
0023		VTRS13947		WASHER D. 8 INX UNI 6592	1,00			--
0024		VTDD01695		NUT M 8 INX	1,00			--
0025		MOCC00383		ATUATOR CT70 ECS	1,00			--
0026		LAFN51065		PIN INFER.ATTUAT.TEST.	1,00			--
0027		VTAE13511		CIRCLIP D. 10 UNI 7435	2,00			--
0028		LAFN07824		ARM -	1,00			--
0029		LAFN07825		ARM -	1,00			--
0030		VTRS15978		WASHER D.12X24 UNI 6592 INX	4,00			--
0031		VTVT13937		SCREW TE M 8X 30 INX UNI 5739	4,00			--
0032		VTRS13947		WASHER D. 8 INX UNI 6592	4,00			--
0033		LAFN04151		BUSHING X PARALLELOGRAMMA	4,00			--
0034		LAFN07827		ARM -	1,00			--
0035		VTRS15978		WASHER D.12X24 UNI 6592 INX	4,00			--
0036		VTRS13947		WASHER D. 8 INX UNI 6592	4,00			--
0037		VTDD01695		NUT M 8 INX	4,00			--



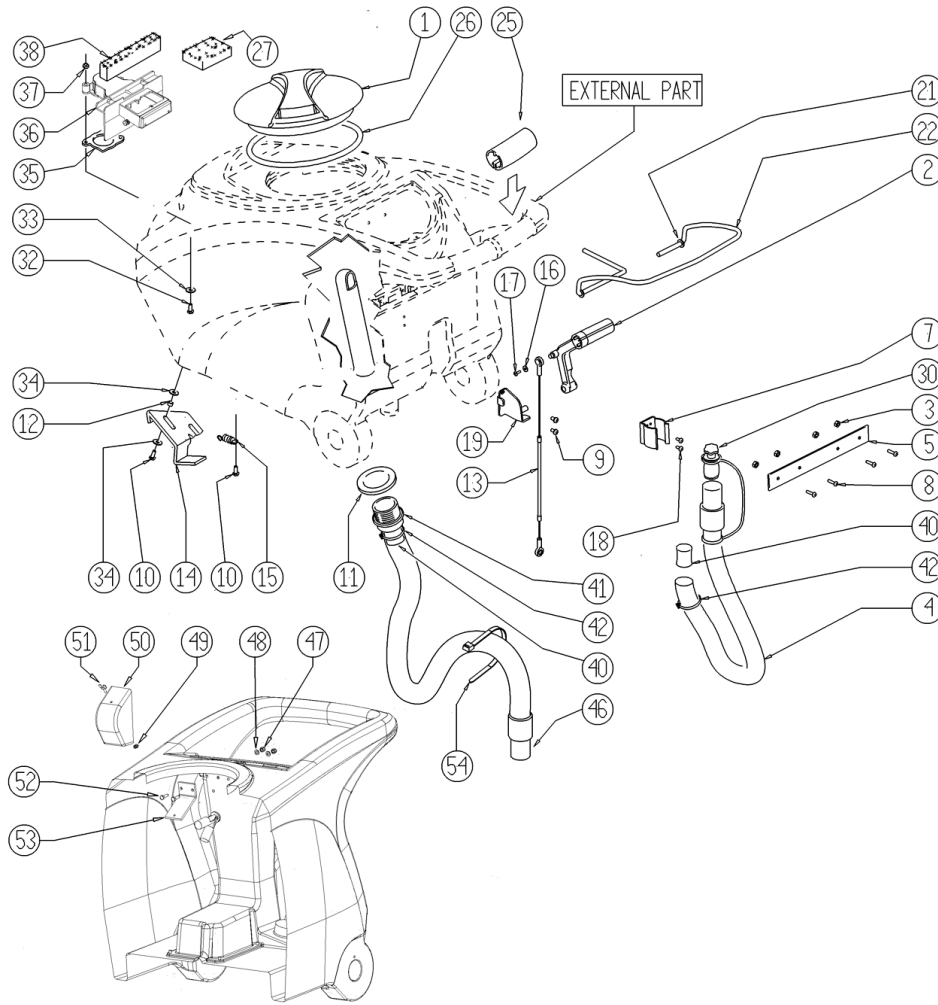
Ref. K	Part N.	Customer Part N.	Description	Qty	Validity:		Price
					From	To	
0038	LAFN07826		ARM -	1,00			--
0039	VTVT15142		SCREW TE M 6x45 INOX	1,00			--
0040	LAFN04187		SPACER PER RIDUTTORE	2,00			--
0041	LAFN07828		ARM -	1,00			--
0042	VTVT15371		SCREW TE M 8X45 INOX A2 UNI	1,00			--
0043	VTVT01688		SCREW TBEI M 8X 30 ISO 7380 IX	4,00			--
0044	LAFN06860		BRACKET CT70	1,00			--
0045	VTRS15978		WASHER D.12X24 UNI 6592 INX	4,00			--
0046	LAFN04151		BUSHING X PARALLELOGRAMMA	4,00			--
0047	VTRS15978		WASHER D.12X24 UNI 6592 INX	4,00			--
0048	VTRS13946		WASHER D. 8 X24 INX UNI 6593	4,00			--
0049	VTDD01695		NUT M 8 INX	4,00			--
0050	VTDD01695		NUT M 8 INX	1,00			--
0051	VTVT00224		SCREW	1,00			--



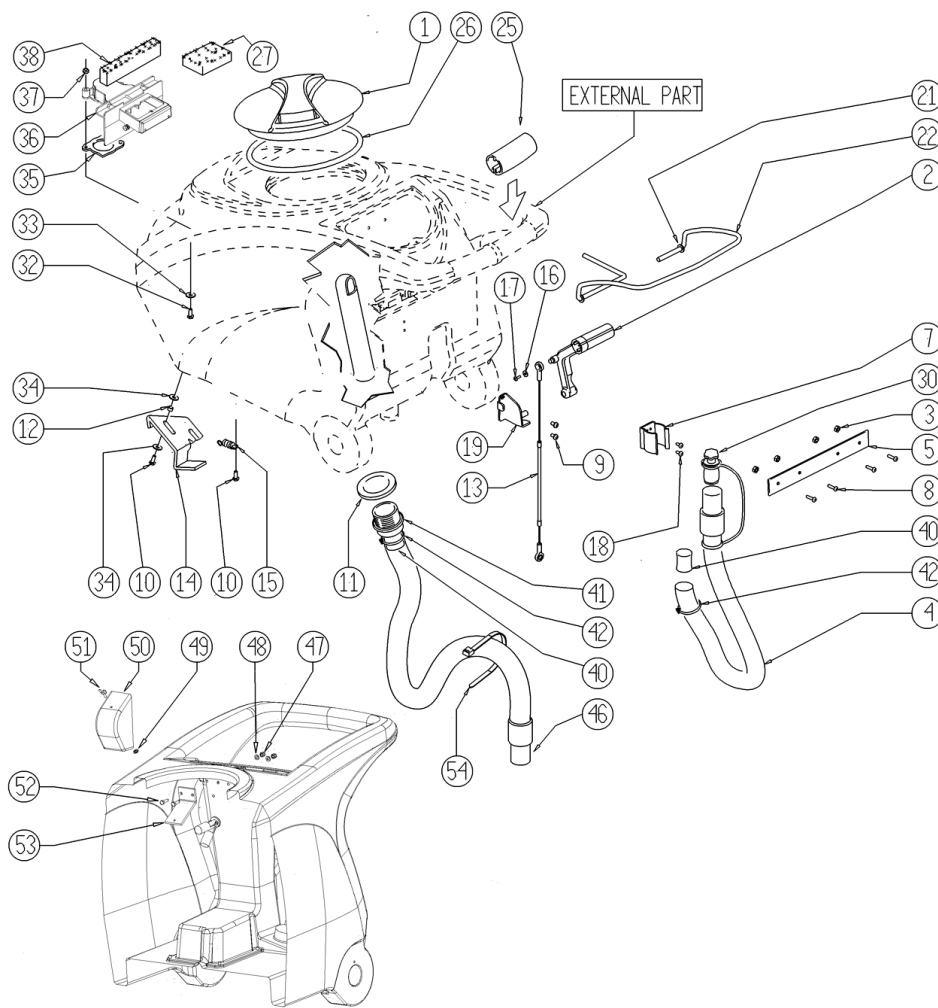
Ref.	K	Part N.	Customer Part N.	Description	Qty	Validity:		Price
						From	To	
0001		LAFN51011		SHEET METAL PA.FISSA GOMMA CENTR	4,00			--
0002		VTVT07725		SCREW TE 5X16 UNI5739 INX	12,00			--
0003		VTDD01693		NUT M 5 INX	12,00			--
0004		MPVR02829		FLAP CENTRAGGIO SPAZZOLE P185	4,00			--
0005		VTVT01300		SCREW TE M5X12 INOX	4,00			--
0006		VTRS13750		WASHER D. 5X14 INX	4,00			--
0007		LAFN51023		ASSEMBLED CENTR.SPAZ.70	2,00			--
0008		CUVR00140		BUSHING DI CENTRAGGIO SPAZZOLE	4,00			--
0009		CUVR00184		BEARING -	2,00			--
0010		VTRS00245		WASHER D.6 UNI 6592 INOX	2,00			--
0011		VTVT00717		SCREW TCEI M. 6-16	2,00			--
0012		VTVT15906		SCREW TE 6X 12 A2 UNI 5739	8,00			--
0013		VTRS15144		WASHER D. 6 INX GRW UNI 1751	8,00			--
0014		LAFN07829		PLATE -	1,00			--
0015		VTDD01695		NUT M 8 INX	3,00			--
0016		VTRS13947		WASHER D. 8 INX UNI 6592	3,00			--
0017		VTDD15521		NUT M 8 INX A2 UNI 5588	3,00			--
0018		VTRS13947		WASHER D. 8 INX UNI 6592	3,00			--
0019		MPVR05290		ROLLER PARACOLPI	3,00			--
0020		LAFN03915		BUSHING NUOVO RUOTINO STRONG	3,00			--
0021		VTVT00775		SCREW TCEI M 8X40 ZC.BK UNI5931	3,00			--
0022		VTVR28706		KEY 6X 6X20 UNI 6604A	2,00			--
0023		MEVR01669		CARBON X MOT.COD.MOCC00298	1,00			--
0023		MOCC00382		MOTOR BRUSH 24V 450W CT70 ECS	2,00			--
0024		LAFN07627		BUSHING -	2,00			--
0025		FSVR00087		CLAMP A COLLARE	2,00			--
0026		TBBP00003		TUBE CRISTALLO 6X9	0,03			--
0027		MLML00241		SPRING TESTATA SPAZZOLA P185	1,00			--
0028		FSVR00052		CLAMP 2,5X100	2,00			--
0029		RCVR01711		CONNECTOR T PORTAG.8/10	1,00			--
0030		MFVR00133		FLANGE TRASC. SPAZZOLA	2,00			--
0031		SPPV01268		DRIVE DISK MICROFIBRE	2,00			--
0032		MLML00231		SPRING ANTISGANCIO 85 X FLANGIA	2,00			--
0033		VTVT21887		SCREW TCB-TC 4X10 8112	2,00			--
0034		VTRS00571		WASHER -	2,00			--
0035		VTVR00328		RING NUT -	2,00			--
0036		MPVR05770		BUMPER CT70	1,00			--
0037		MPVR05763		FLAP CT70	1,00			--
0038		MPVR05767		PLATE CT70	1,00			--



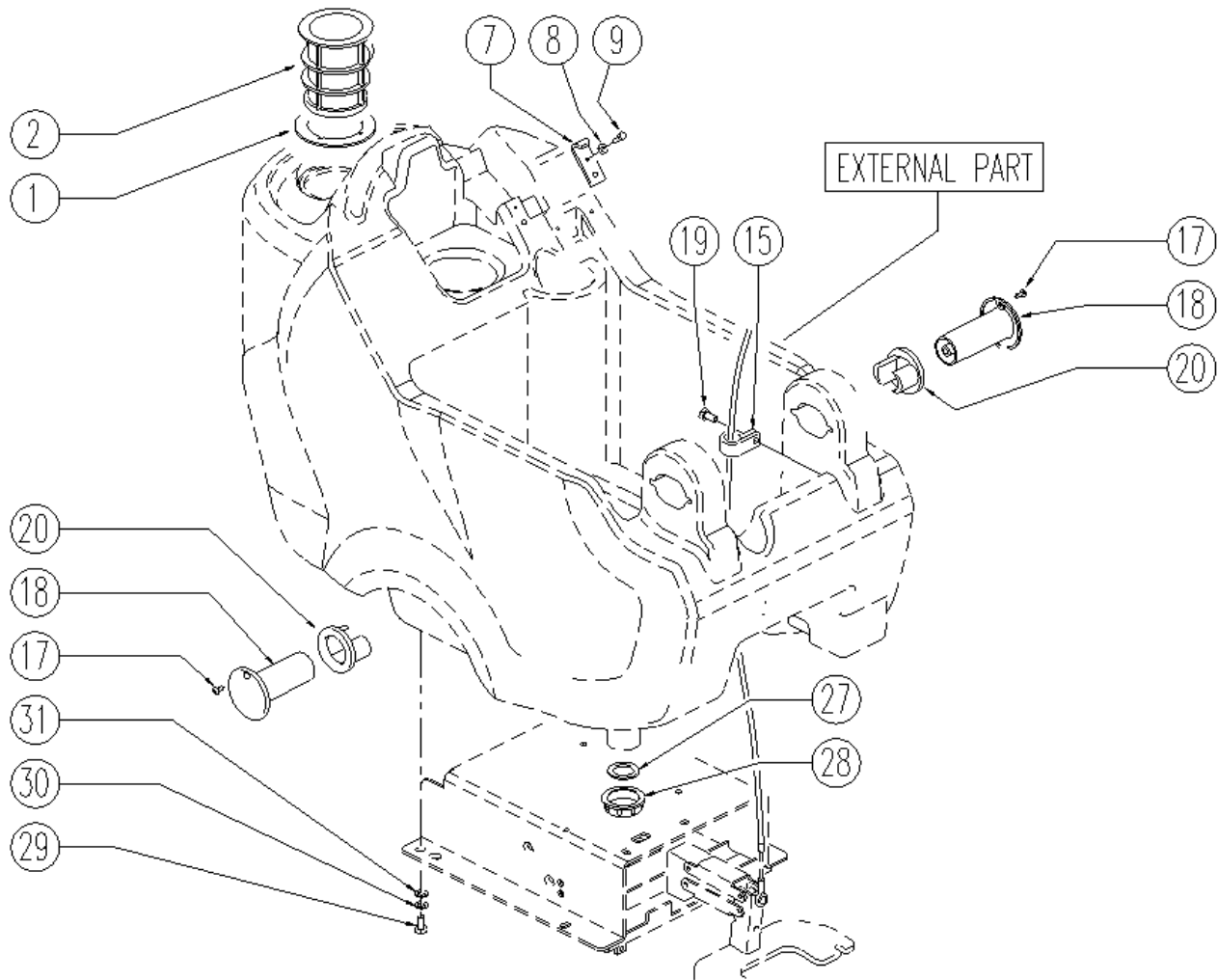
Ref. K	Part N.	Customer Part N.	Description	Qty	Validity:		Price
					From	To	
0039	VTVT13939		SCREW TE 6X20 UNI5739 INX	5,00			--
0040	VTRS13945		WASHER D. 6X18 INX UNI 6593	5,00			--
0041	VTVT00392		SCREW M6x35 UNI5739 inox	1,00			--
0042	VTRS13945		WASHER D. 6X18 INX UNI 6593	1,00			--
0043	VTRS13945		WASHER D. 6X18 INX UNI 6593	5,00			--
0044	VTDD01694		NUT M6 INOX	5,00			--
0045	VTRS13945		WASHER D. 6X18 INX UNI 6593	1,00			--
0046	VTDD01694		NUT M6 INOX	1,00			--
0047	VTRS13945		WASHER D. 6X18 INX UNI 6593	10,00			--
0048	VTVT15142		SCREW TE M 6x45 INOX	10,00			--
0049	MPVR05766		PLATE CT70	1,00			--
0050	MPVR05762		FLAP CT70	1,00			--
0051	VTRS13945		WASHER D. 6X18 INX UNI 6593	10,00			--
0052	VTDD01694		NUT M6 INOX	10,00			--
0053	LAFN03840		BUSHING	2,00			--
0054	VTRS00245		WASHER D.6 UNI 6592 INOX	8,00			--



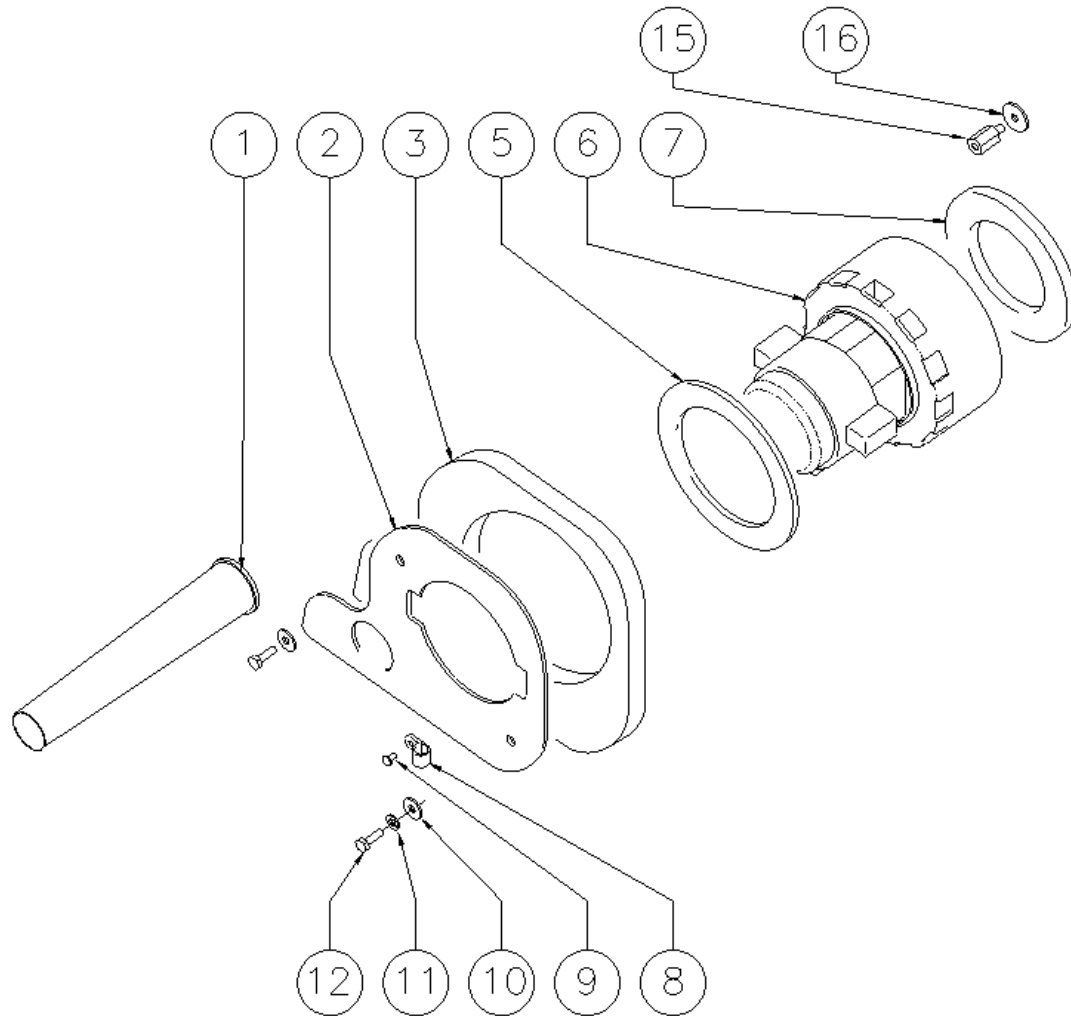
Ref.	K	Part N.	Customer Part N.	Description	Qty	Validity:		Price
						From	To	
0001		MPVR04051		TANK CAP	1,00			--
0002		MPVR49942		LEVER SHK PP	1,00			--
0003		VTDD15518		NUT M 6 INX	4,00			--
0004		TBBP00405		TUBE SCARICO	1,00		06/2010	--
0004		TBBP00456		TUBE CT40/70	1,00	06/2010	02/2011	--
0004		TBFX00348		TUBE CT40-70-90 HOSE DRAIN	1,00	02/2011	04/2013	--
0004		TBFX00358		TUBE PU CT40/70/90	1,00	04/2013		--
0005		LAFN05865		PLATE COPRILEVA CONSENSO	1,00			--
0007		MPVR46988		CLIP LAV. SHK	1,00			--
0008		VTVT00651		SCREW TBEI M. 5x16 INOX	4,00			--
0009		VTVT15906		SCREW TE 6X 12 A2 UNI 5739	2,00			--
0010		VTVT15143		SCREW TE 6X16 UNI5739	3,00			--
0012		LAFN03626		SPACER	2,00			--
0013		CMCV00428		CABLE SQUEEGEE	1,00			--
0014		LAFN06849		HANDLE CT 70	1,00			--
0015		MLML00203		SPRING	1,00			--
0016		VTRS00251		WASHER 4-16 INOX A2	1,00			--
0017		VTVT00800		SCREW TC 4X12 ZN	1,00			--
0018		VTVT21096		SCREW TE M 4X 10 INX	2,00			--
0019		LAFN05870		BRACKET LEVA SOLLEVAM. SQUEEGEE	1,00			--
0021		VTRS13947		WASHER D. 8 INX UNI 6592	2,00			--
0022		LAFN05861		LEVER CONSENSO SPAZZOLE	1,00			--
0025		MPVR05215		KNOB -	2,00			--
0026		GUGO00263		GASKET CIRCOLARE TAPPO	1,00			--
0027		FTDP00133		FILTER	1,00			--
0030		MPVR05064		CAP COMPLETO	1,00		06/2010	--
0032		VTVT01139		SCREW TE M.4-25	2,00			--
0033		VTRS00515		WASHER D. 4 INX	2,00			--
0034		VTRS00274		WASHER NYLON 66 D.8,4-17-2 UNI	4,00			--
0035		GUGO00417		GASKET SCATOLA ASPIRAZIONE	1,00			--
0036		MPVR05482		BOX -	1,00			--
0037		VTDD15925		NUT M 4 INX	2,00			--
0038		GUGO00418		GASKET CONDOTTO ASPIRAZIONE	1,00			--
0040		GUGO00245		GASKET	1,00			--
0046		TBBP00453		TUBE TERGI D.40	1,00		10/2010	--
0046		TBFX00337		TUBE L=1100	1,00	10/2010	01/2012	--
0046		TBFX00353		TUBE PU CT70-CT90	1,00	01/2012		--
0047		VTDD01693		NUT M 5 INX	2,00			--
0048		VTRS00516		WASHER D. 5 INX	2,00			--



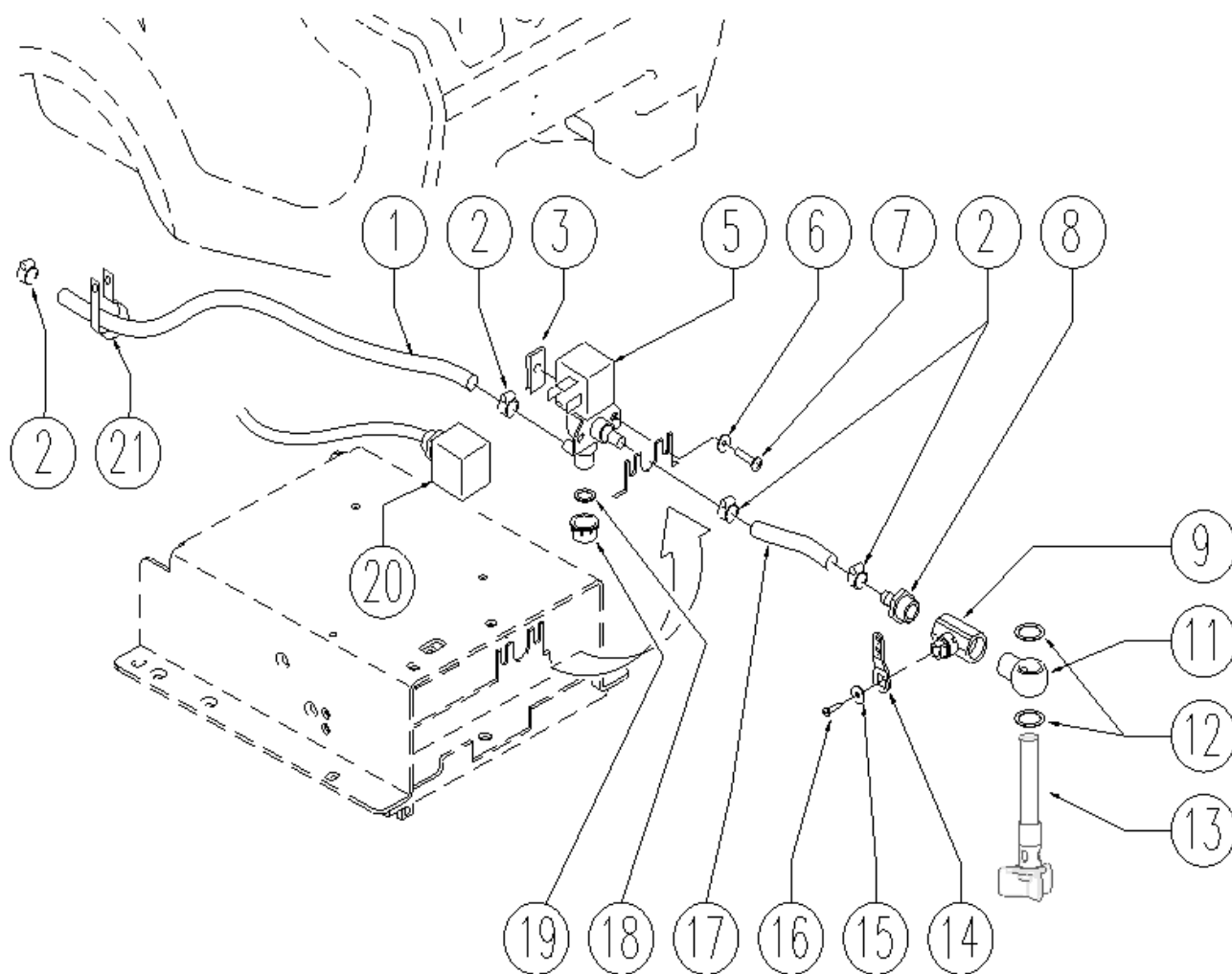
Ref.	K	Part N.	Customer Part N.	Description	Qty	Validity:		Price
						From	To	
0049		VTVR01038		WASHER -	1,00			--
0050		MPVR05596		PROTECTION -	1,00			--
0051		VTVT01150		SCREW 4x10	1,00			--
0052		VTVT07725		SCREW TE 5X16 UNI5739 INX	2,00			--
0053		LAFN07631		BRACKET -	1,00			--
0054		FSVR00248		CLAMP -	1,00	10/2010		--



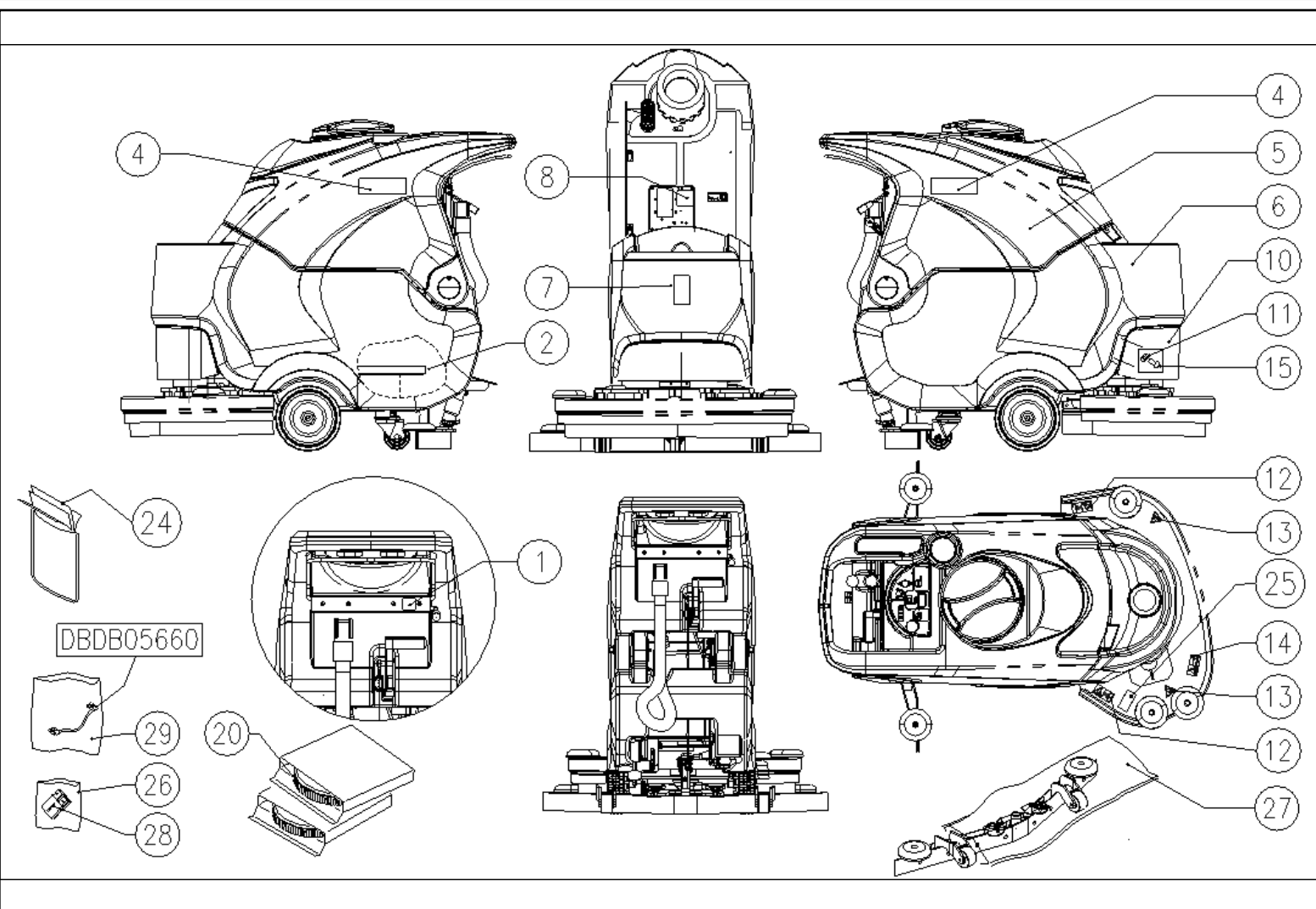
Ref.	K	Part N.	Customer Part N.	Description	Qty	Validity:		Price
						From	To	
0001		GUGO00267		GASKET FILTRO	1,00			--
0002		FTAC00040		FILTER -	1,00			--
0007		LAFN06489		PLATE	1,00			--
0008		VTRS15144		WASHER D. 6 INX GRW UNI 1751	1,00			--
0009		VTVT01303		SCREW TE M6-10 INOX	1,00			--
0015		MPVR02933		DUCT LOCK D.9,5	2,00			--
0017		VTVT48694		SCREW TCB TC 5 X12 UNI 9707 TZ	2,00			--
0018		MPVR48695		PIN SHK.BK	2,00			--
0019		VTVT15961		SCREW M 5X 16 TCB TC UNI 7687	1,00			--
0020		PMVR02028		RUBBER GRUPPO MONTAGGIO	2,00			--
0027		KTRI03463		CAP SCARICO SERBATOIO SOLUZ.	1,00			--
0028		KTRI03463		CAP SCARICO SERBATOIO SOLUZ.	1,00			--
0029		VTVT15916		SCREW TE M 8X 16 UNI 5739 A2	4,00			--
0030		VTRS00269		WASHER D. 8 DIN 6798-A INX A2	4,00			--
0031		VTRS13947		WASHER D. 8 INX UNI 6592	4,00			--



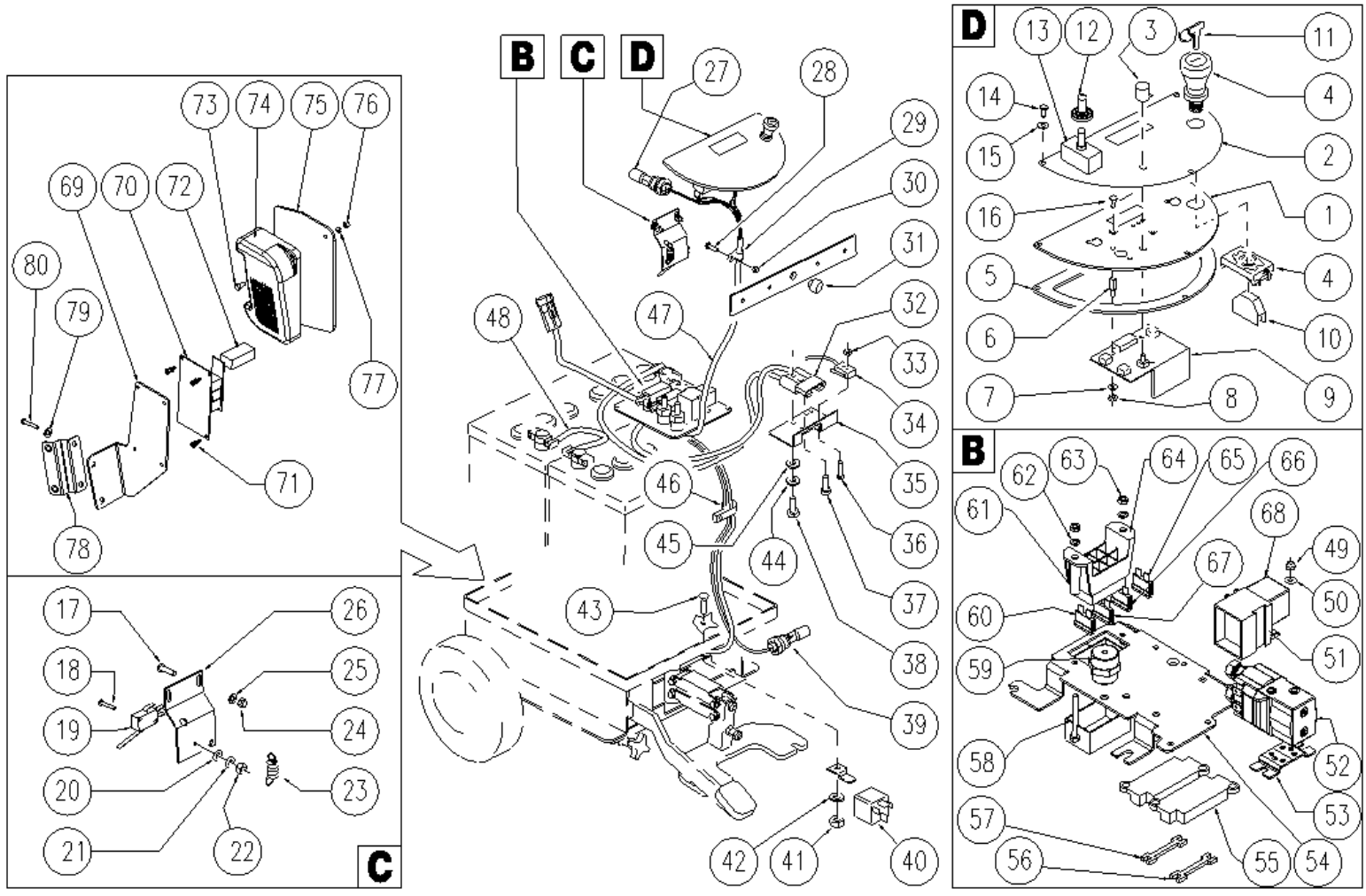
Ref.	K	Part N.	Customer Part N.	Description	Qty	Validity:		Price
						From	To	
0001		MPVR05259		TUBE SCARICO	1,00			--
0002		LAFN06363		FLANGE ASPIRATORE	1,00			--
0003		MPVR05103		SOUND-PROOFING ASPIRATORE	1,00			--
0005		MPVR04724		FLANGE IN NYLON	1,00			--
0006		MOCC00342		VACUUM CLEANER 24V	1,00			--
0007		GUGO00272		GASKET VACUUM MOTOR CT	1,00			--
0008		FSVR00099		CLAMP FERMATUBO	1,00			--
0009		VTVT00813		SCREW M 4X 8 TCB-TC UNI 8112	1,00			--
0010		VTRS13945		WASHER D. 6X18 INX UNI 6593	2,00			--
0011		VTRS15144		WASHER D. 6 INX GRW UNI 1751	2,00			--
0012		VTVT15143		SCREW TE 6X16 UNI5739	2,00			--
0015		LAFN07856		SPACER -	2,00			--
0016		VTRS13945		WASHER D. 6X18 INX UNI 6593	2,00			--



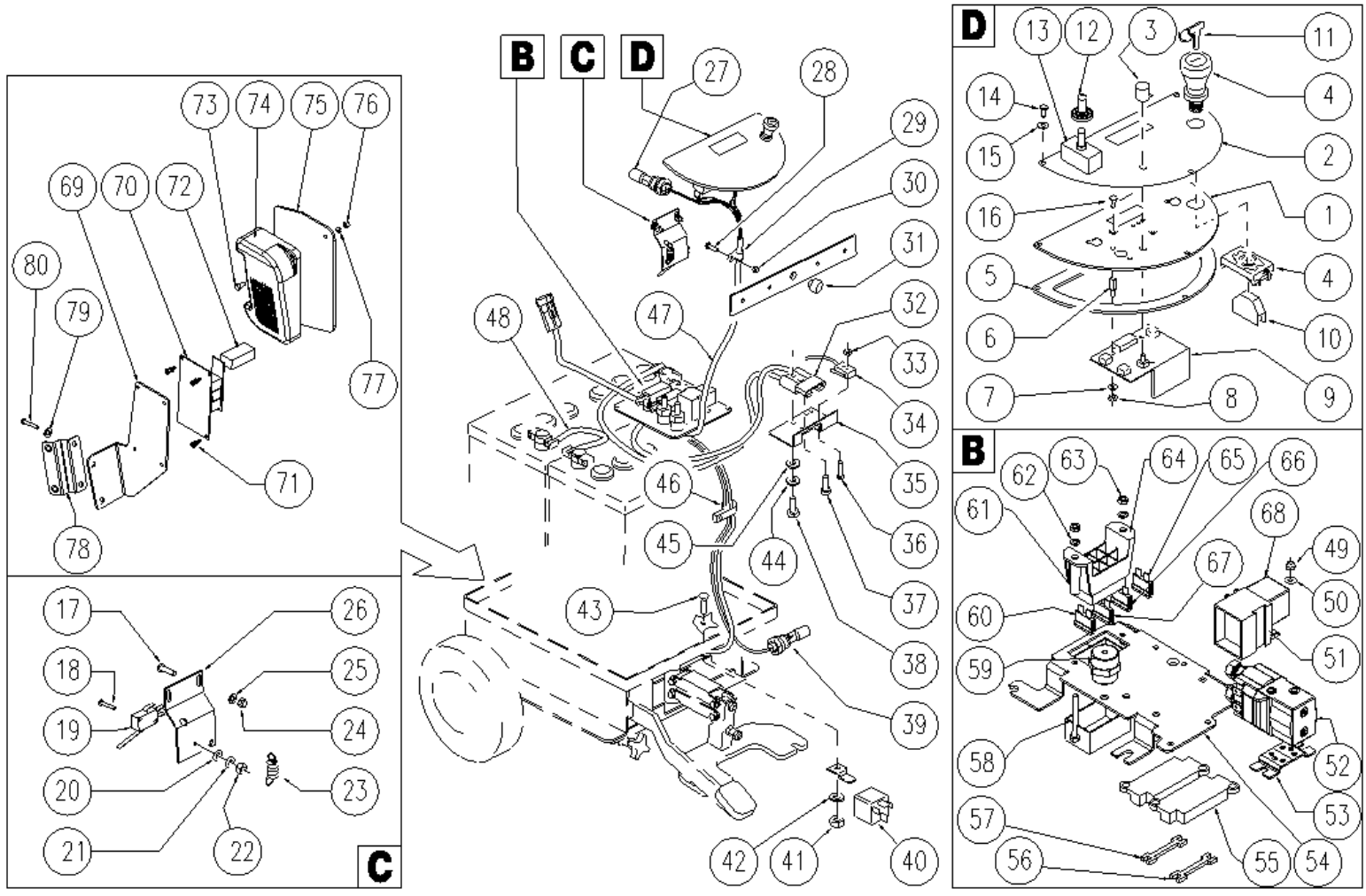
Ref.	K	Part N.	Customer Part N.	Description	Qty	Validity:		Price
						From	To	
0001		TBFX00308		TUBE L=580MM	1,00			--
0002		FSVR00091		CLAMP 14-24	4,00			--
0003		MLML00002		SPRING PRESTOLA DOPPIA 8P	2,00			--
0005		MEEV00018		SOLENOID VALVE	1,00			--
0006		VTRS00516		WASHER D. 5 INX	2,00			--
0007		VTVT48694		SCREW TCB TC 5 X12 UNI 9707 TZ	2,00			--
0008		RCVR00536		CONNECTOR PORTAG.	1,00			--
0009		RCGR00065		TAP F/F 1/2"	1,00			--
0011		RCDS49622		CONNECTOR OCC 1/2 - 1/2M	1,00			--
0012		VTRS00567		WASHER 1/2	2,00			--
0013		MPVR05221		FILTER COMPLETO	1,00		02/2013	--
0013		MPVR06303		FILTER CT40-70-90	1,00	02/2013		--
0014		LAFN05902		LEVER RUBINETTO	1,00			--
0015		VTRS00251		WASHER 4-16 INOX A2	1,00			--
0016		VTVT01316		SCREW TC+ M3-16	1,00			--
0017		TBFX00309		TUBE FLEX D.10X3 L=155MM	1,00			--
0018		GUGO00268		GASKET D.21 SP.3 GOMMA	1,00			--
0019		RCVR00353		CAP 1/2"G X ELETTROV. ACL	1,00			--
0020		MECB01234		WIRING	1,00			--
0021		FSVR00043		CLAMP d.16	1,00			--



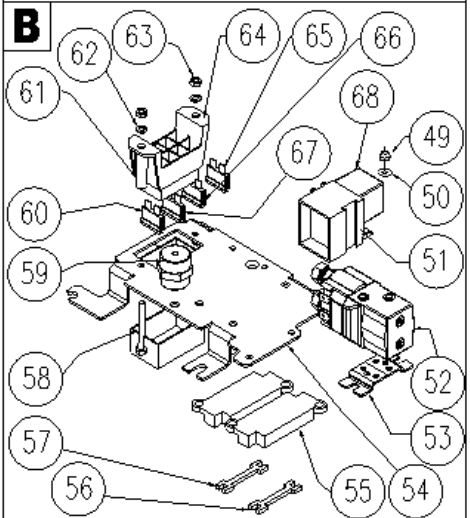
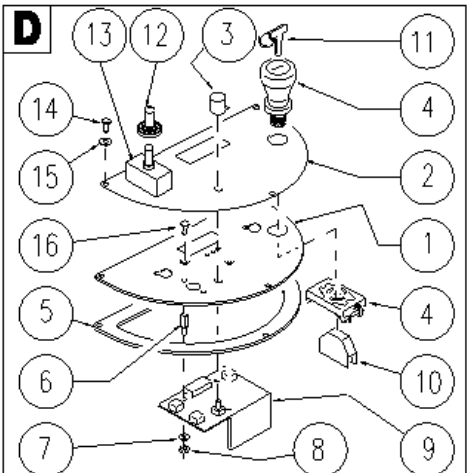
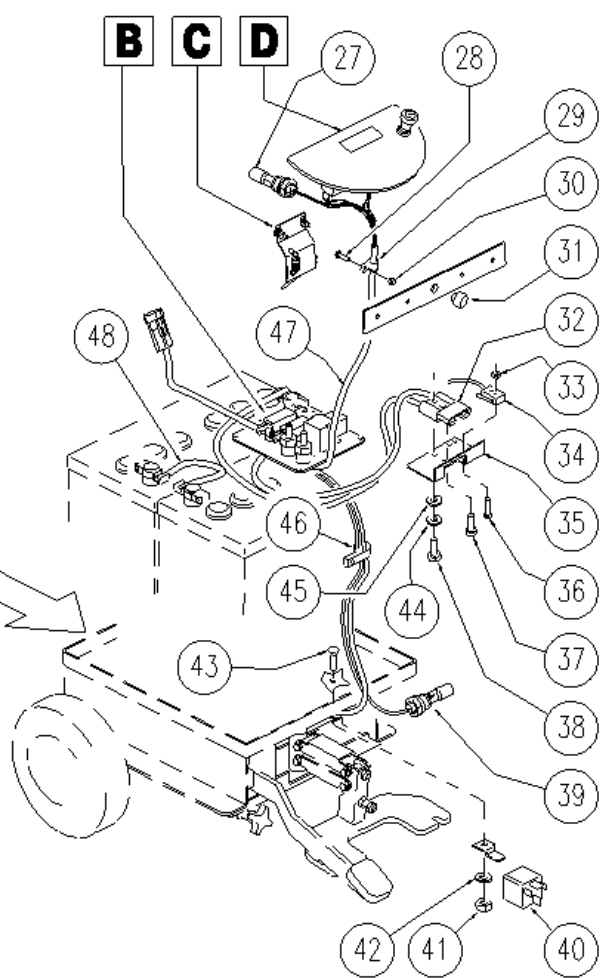
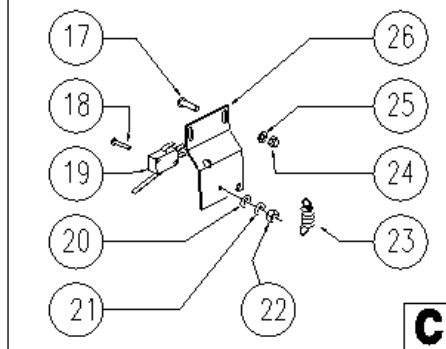
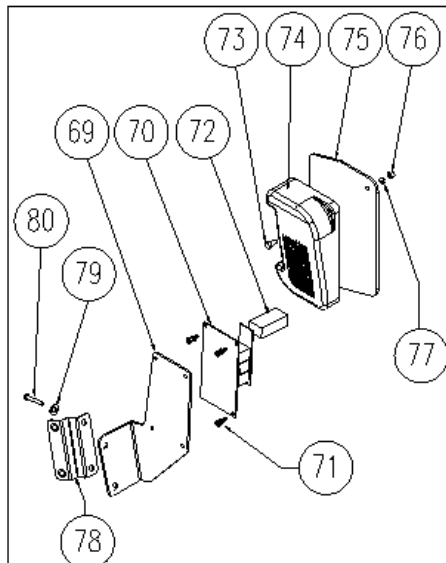
Ref.	K	Part N.	Customer Part N.	Description	Qty	Validity: From	To	Price
0001		ETET01447		LABEL	1,00			--
0002		LAFN35588		BATTERY SUPPORTLAV. BT	1,00			--
0004		ETET01655		LABEL -	2,00			--
0005		MPVR05560		TANK SOLUZIONE CT75	1,00			--
0006		MPVR05559		TANK SOLUTION CT70	1,00			--
0007		ETET01637		LABEL -	1,00			--
0008		ETET00763		LABEL SIMBOLO FUSIBILI	1,00			--
0010		MPVR04984		FRONT PANEL	1,00			--
0011		VTRS00516		WASHER D. 5 INX	4,00			--
0012		ETET00906		ADHESIVE SIMBOLO PERICOLO DI ABRAS	2,00			--
0013		ETET00897		ADHESIVE SIMBOLO PERICOLO	2,00			--
0014		ETET00898		ADHESIVE SIMBOLO SCHIACCIAMENTO	1,00			--
0015		VTVT15961		SCREW M 5X 16 TCB TC UNI 7687	4,00			--
0020		SPPV01270		BRUSH NYLON 0,5mm D.350	2,00			--
0024		PLDC01602		INSTR.MANUAL 40-70-90	1,00			--
0025		ETET01658		LABEL -	2,00			--
0026		MIVR00072		ENVELOPE PLASTICA TRASP.	1,00			--
0027		MIVR00048		TUBE UNIBOL	1,00			--
0028		MEVR01079		PLUG M CB50 A 600V RD.	1,00			--
0029		MIVR00064		ENVELOPE PORTA CABLAGGI	1,00			--



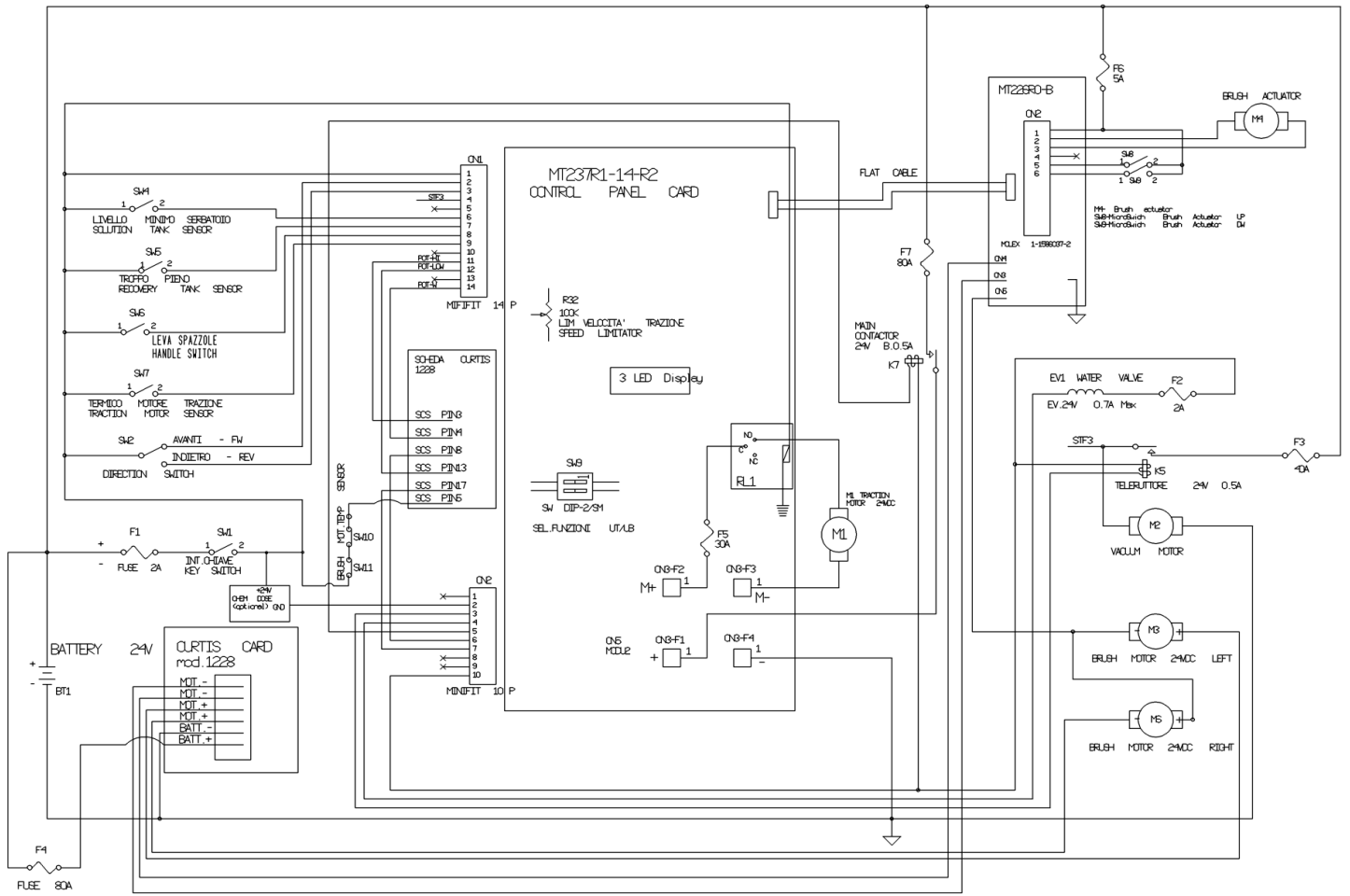
Ref.	K	Part N.	Customer Part N.	Description	Qty	Validity:		Price
						From	To	
0001		LAFN07841		PLATE -	1,00			--
0002		ETET01657		LABEL -	1,00			--
0003		MEVR01666		KNOB POTENTIOMETER	1,00			--
0004		MECI00402		BUTTON A FUNGO	1,00			--
0005		GUGO38417		GASKET PANN.COM.EXTREME	1,00			--
0006		VTVR00481		INSERT FILETTATO M6	3,00			--
0007		VTRS00268		WASHER D.3	5,00			--
0008		VTDD21115		NUT M 3 INOX	5,00			--
0009		MECE00517	#8529.90.2200	BOARD CT70 ECS	1,00			--
0010		MECI00403		CONTACT -	1,00			--
0011		CHVR00051	#8479.90.9498	DIASSASS.SPANNERPULSANTE FUNGO	1,00			--
0012		MEVR01975		RUBBER DEVIATORE	1,00			--
0013		MECI34120		SWITCH T 115-EA	1,00			--
0014		VTVT37012		SCREW M 4X 10 TCB-TC INX	3,00			--
0015		VTRS00515		WASHER D. 4 INX	3,00			--
0016		VTVT00865		SCREW TSP-TC M 3X 6 UNI7688 INX	3,00			--
0017		VTVT07725		SCREW TE 5X16 UNI5739 INX	2,00			--
0018		VTVT01316		SCREW TC+ M3-16	2,00			--
0019		MECI36393		MICROSWITCH TRZ. DRW	1,00			--
0020		VTRS21116		WASHER D. 3 INX	2,00			--
0021		VTRS00268		WASHER D.3	2,00			--
0022		VTDD21115		NUT M 3 INOX	2,00			--
0023		MLML34726		SPRING TR E350 N	1,00			--
0024		VTDD01693		NUT M 5 INX	2,00			--
0025		VTRS00516		WASHER D. 5 INX	2,00			--
0026		LAFN05904		PLATE MICRO LEVA	1,00			--
0027		MECI00516		SENSOR DI LIVELLO ORIZZONTALE	1,00			--
0028		VTVT00704		SCREW TE M 4X 16 UNI5739 INOX	1,00			--
0029		FSVR00099		CLAMP FERMATUBO	2,00			--
0030		VTDD15925		NUT M 4 INX	1,00			--
0031		MPVR00043		CAP CHIUS.FORO PORTAFUS.L 15	1,00			--
0032		MEVR01707		CONNECTOR -	1,00			--
0033		VTDD08634		NUT M2	2,00			--
0034		MECI00334		MICROSWITCH V4	1,00			--
0035		LAFN06409		SUPPORT -	1,00			--
0036		VTVT00671		SCREW TC- M.2-16 OTTONE	2,00			--
0037		VTVT00872		SCREW TSP+ 2.9X13 AUTOFIL. INOX	1,00			--
0038		VTVT00814		SCREW TE M.4-25	2,00			--
0039		MECI00516		SENSOR DI LIVELLO ORIZZONTALE	1,00			--



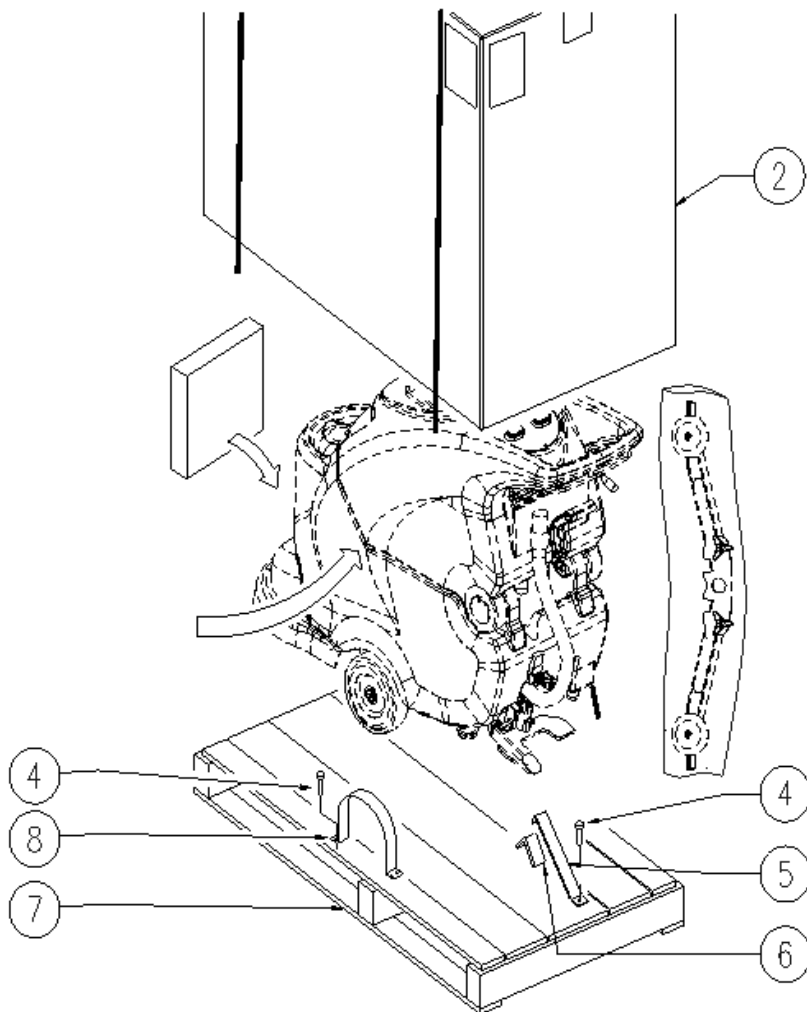
Ref.	K	Part N.	Customer Part N.	Description	Qty	Validity:		Price
						From	To	
0040		MECI00005		RELAY 24V 10/20A	1,00			--
0041		VTDD01694		NUT M6 INOX	1,00			--
0042		VTRS00245		WASHER D.6 UNI 6592 INOX	1,00			--
0043		VTVT01676		SCREW TSTC UNI 7688 M6X16	1,00			--
0044		VTRS15913		WASHER D. 4 GROVER A2 UNI1751	2,00			--
0045		VTRS00515		WASHER D. 4 INX	2,00			--
0046		FSVR00099		CLAMP FERMATUBO	1,00			--
0047		MECB01234		WIRING	1,00			--
0048		MEVR34820		WIRING B 450 BT	1,00			--
0049		VTDD00147		NUT M 4 INX U.5588	1,00			--
0050		VTRS13750		WASHER D. 5X14 INX	1,00			--
0051		METT00053		BLOCK PORTA RELE'	1,00			--
0052		METT00079		CONTACTOR E TL 10P 24V 100A	1,00			--
0053		LAFN07345		BRACKET TL10	1,00			--
0054		LAFN07460		SUPPORT -	1,00			--
0055		MEVR01332		FUSE-HOLDER	2,00			--
0056		MEVR02887		FUSE 40A NST.	1,00			--
0057		MEVR00604		FUSE	1,00			--
0058		VTVT00880		SCREW TE 4X40	2,00			--
0059		MEVR44054		INSULATOR M6 20-CH17	1,00			--
0060		MEVR01428		FUSE A LAMA 2 A. UNIVAL	1,00			--
0061		LAFN06735		SPACER 6-8 H31.5	2,00			--
0062		VTRS15913		WASHER D. 4 GROVER A2 UNI1751	2,00			--
0063		VTDD00147		NUT M 4 INX U.5588	2,00			--
0064		MEVR00030		FUSE-HOLDER 4 VIE COPERCHIO TRAS.	1,00			--
0065		MEVR01428		FUSE A LAMA 2 A. UNIVAL	1,00			--
0066		MEVR01132		FUSE A LAMA 5 A.	1,00			--
0067		MEVR00039		FUSE LAMELLARE 20A	1,00			--
0068		MERL00006		SWITCH RELAY R502 024 H3M 1NO 80A	1,00			--
0069		LAFN07834		PLATE -	1,00			--
0070		MECE00510		BOARD CT110-MF	1,00			--
0071		MEVR01708		COLUMN -	4,00			--
0072		MECE00456		RELAY CT110	4,00			--
0073		VTVT00727		SCREW TE M. 4-20	2,00			--
0074		MECE00511		BOARD CT110-MF	1,00			--
0075		LAFN07832		PLATE -	1,00			--
0076		VTDD00147		NUT M 4 INX U.5588	2,00			--
0077		VTRS15913		WASHER D. 4 GROVER A2 UNI1751	2,00			--
0078		LAFN07247		BRACKET CT90	2,00			--



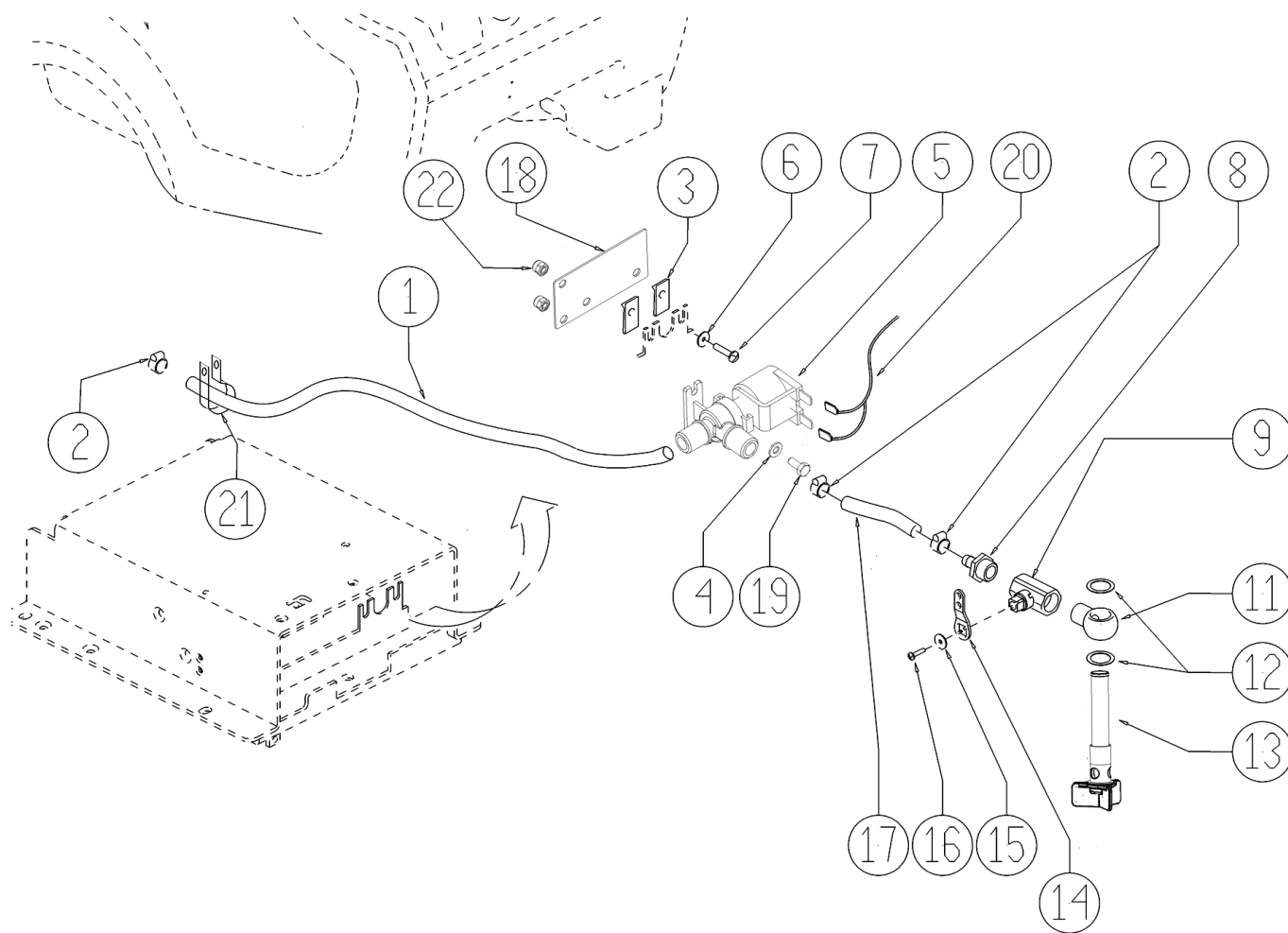
Ref.	K	Part N.	Customer Part N.	Description	Qty	Validity:		Price
						From	To	
0079		VTRS00516		WASHER D. 5 INX	4,00			--
0080		VTVT07725		SCREW TE 5X16 UNI5739 INX	4,00			--



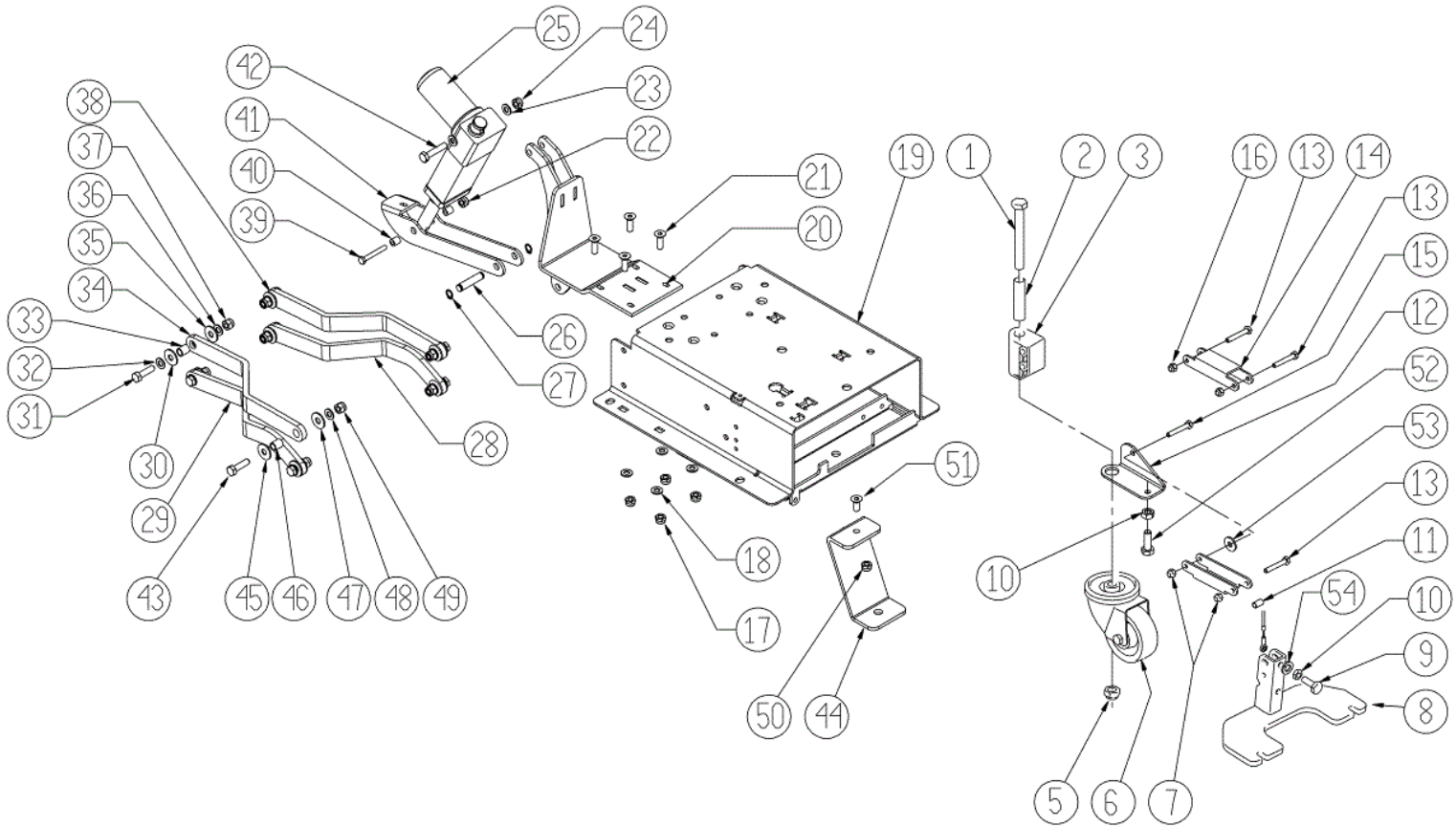
Ref.	K	Part N.	Customer Part N.	Description	Qty	Validity:		Price
						From	To	
EV1		MEEV00018		SOLENOID VALVE	1,00			--
M1		MOCC00347		MOTOR 180W	1,00			--
M2		MOCC00342		VACUUM CLEANER 24V	1,00			--
M3		MOCC00382		MOTOR BRUSH 24V 450W CT70 ECS	2,00			--
M4		MOCC00383		ATUATOR CT70 ECS	1,00			--
M5		MOCC00382		MOTOR BRUSH 24V 450W CT70 ECS	1,00			--



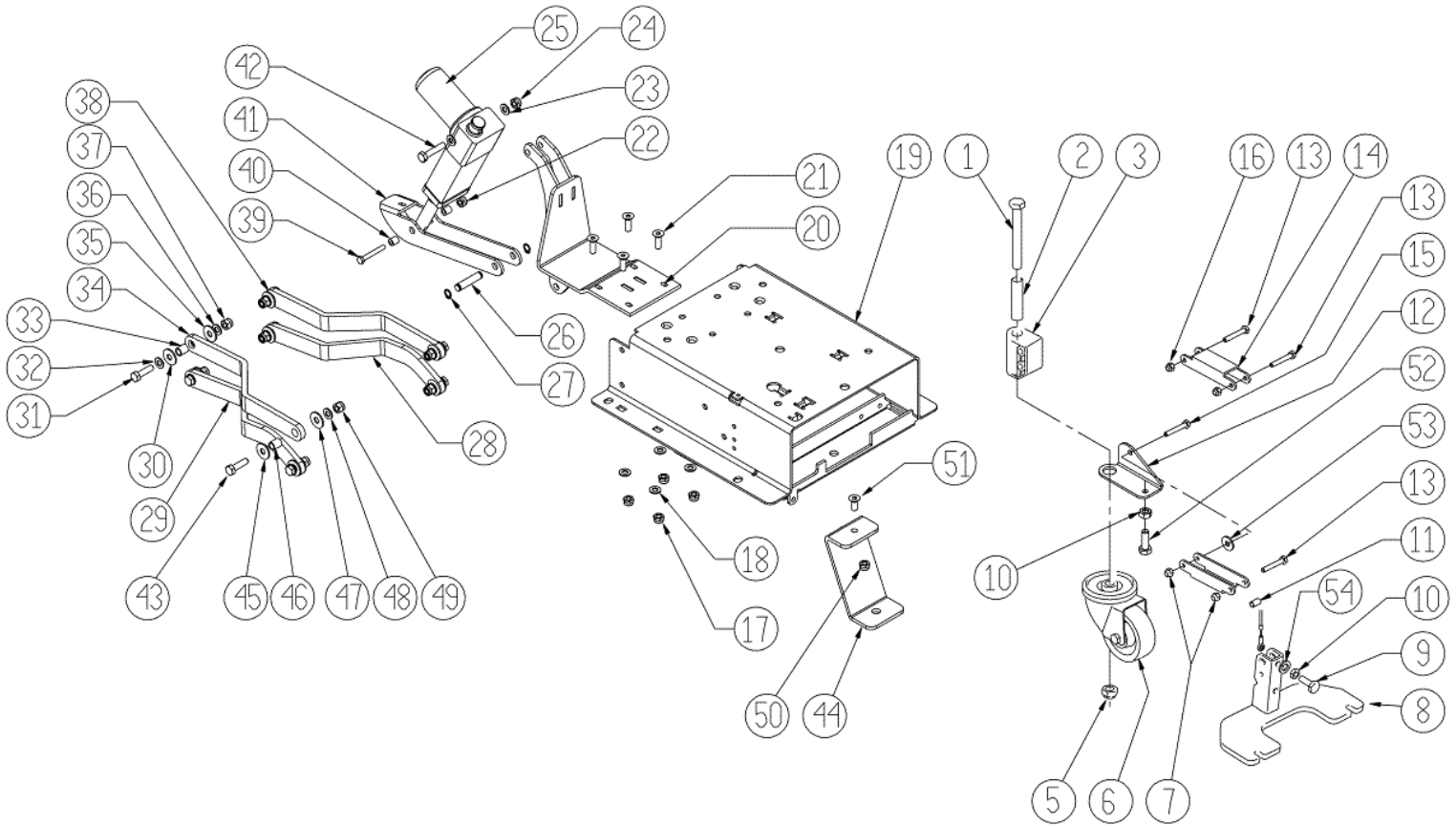
Ref.	K	Part N.	Customer Part N.	Description	Qty	Validity:		Price
						From	To	
0002		MICT00197		BOX	1,00			--
0004		VTVT00043		SCREW AUTOF.LEGNO 4,5X25 TS BR	9,00			--
0005		MIVR00137		CLAMP RUOTA POSTERIORE X IMBAL.	1,00			--
0006		GUGO00009		MOUSSE	0,05			--
0007		MIBA00011		PALLET	1,00			--
0008		MIVR00135		CLAMP RUOTA POSTERIORE X IMBAL.	2,00			--



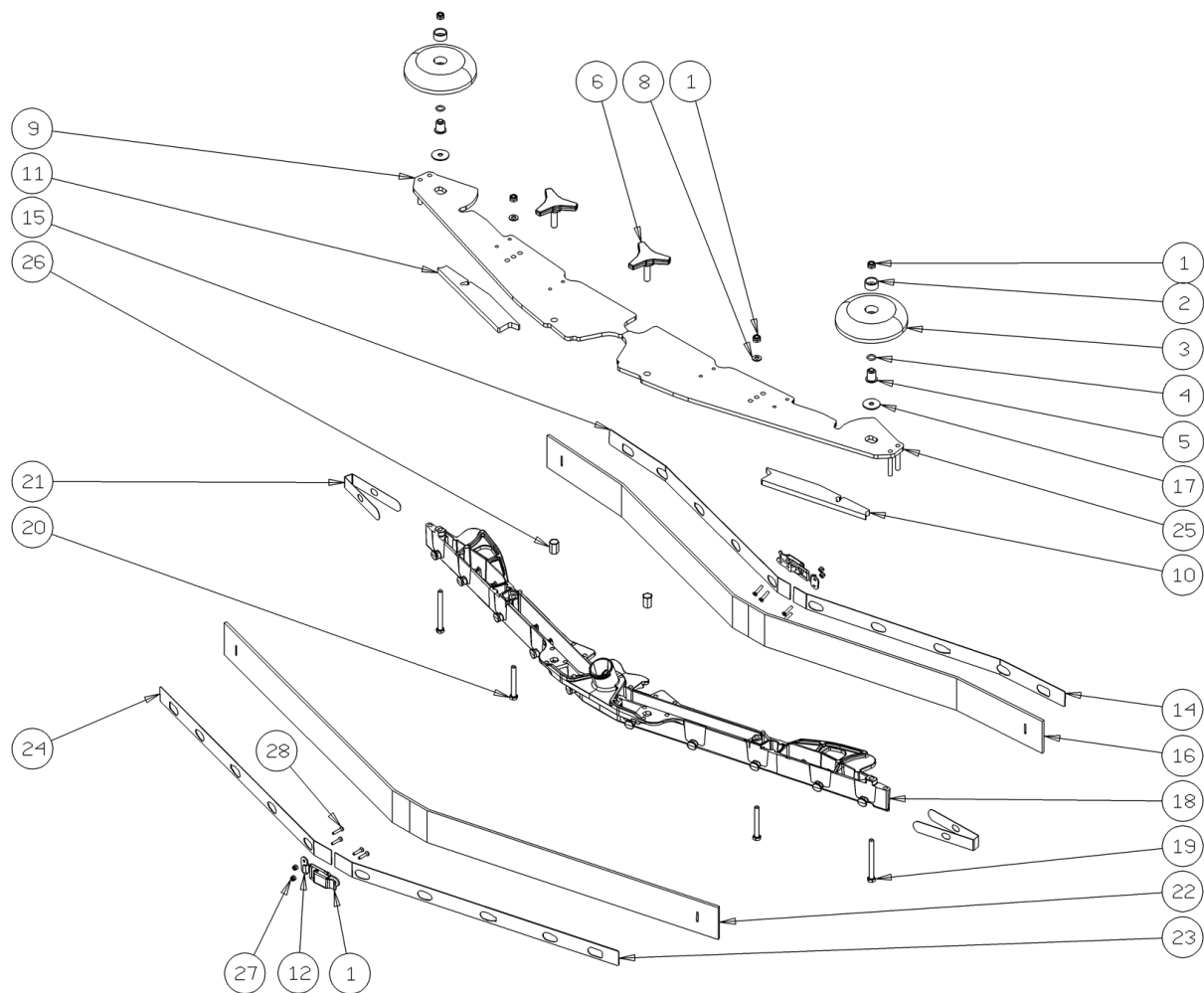
Ref. K	Part N.	Customer Part N.	Description	Qty	Validity:		Price
					From	To	
0001	TBFX48011		TUBE FLEX D.12X3 ARMORV.PVC TR	0,78			--
0002	FSVR00428		CLAMP D. 12-20	4,00			--
0003	MLML00002		SPRING PRESTOLA DOPPIA 8P	2,00		05/2011	--
0004	VTRS00515		WASHER D. 4 INX	2,00			--
0005	MEEV00036		SOLENOID VALVE HOLE 8mm CLEANTIME	1,00			--
0006	VTRS00516		WASHER D. 5 INX	2,00		05/2011	--
0007	VTVT48694		SCREW TCB TC 5 X12 UNI 9707 TZ	2,00		05/2011	--
0008	RCVR00536		CONNECTOR PORTAG.	1,00		09/2011	--
0009	LAFN07783		CONNECTOR -	1,00	09/2011		--
0009	RCGR00065		TAP F/F 1/2"	1,00		09/2011	--
0011	RCDS49622		CONNECTOR OCC 1/2 - 1/2M	1,00		09/2011	--
0012	VTRS00567		WASHER 1/2	2,00			--
0013	MPVR05221		FILTER COMPLETO	1,00		02/2013	--
0013	MPVR06303		FILTER CT40-70-90	1,00	02/2013		--
0014	LAFN05902		LEVER RUBINETTO	1,00		09/2011	--
0015	VTRS00251		WASHER 4-16 INOX A2	1,00		09/2011	--
0016	VTVT01316		SCREW TC+ M3-16	1,00		09/2011	--
0017	TBFX48011		TUBE FLEX D.12X3 ARMORV.PVC TR	0,23	09/2011		--
0017	TBFX49468		TUBE FLEX D.10X3 ARMORV.PVC TR	0,17		09/2011	--
0018	LAFN08843		PLATE -	1,00		05/2011	--
0019	VTVT01158		SCREW M4x16	2,00	05/2011		--
0019	VTVT21096		SCREW TE M 4X 10 INX	2,00		05/2011	--
0020	MECB01234		WIRING	1,00			--
0021	FSVR00043		CLAMP d.16	1,00			--
0022	VTDD00055		NUT M 4 ATB A2	2,00		05/2011	--



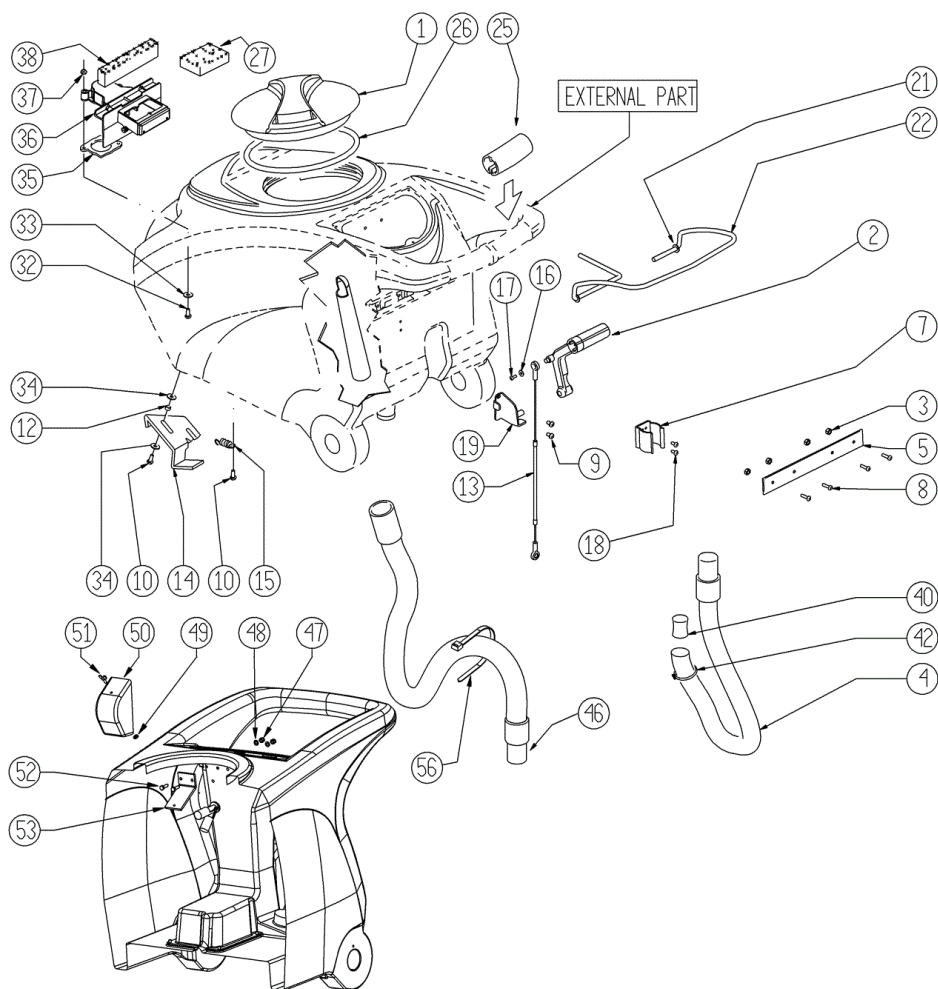
Ref.	K	Part N.	Customer Part N.	Description	Qty	Validity:		Price
						From	To	
0001		VTVT24212		SCREW TE M 12X100 UNI 5737 INOX	1,00			--
0002		LAFN09006		PIN -	1,00			--
0003		MPVR04734		BLOCK TERGI	1,00			--
0005		VTDD00176		NUT M.12 INOX A2 BASSO AUTOB.	1,00			--
0006		RTRT00395		WHEEL CASTOR D.80X25 PU	1,00	08/2012		--
0006		RTRT00518		WHEEL CASTOR D.80X30	1,00		08/2012	--
0007		VTDD01694		NUT M6 INOX	4,00			--
0008		LAFN07560		PLATE -	1,00			--
0009		VTVT00410		SCREW TE M8x35 UNI5739 INOX	1,00			--
0010		VTDD15521		NUT M 8 INX A2 UNI 5588	1,00			--
0011		LAFN06898		SPACER 6-8 h15	1,00			--
0012		LAFN08999		BRACKET -	1,00			--
0013		VTVT01683		SCREW TE 6X40	4,00			--
0014		LAFN05853		LEVER ARM SOLLEVAMENTO TERGI	2,00			--
0015		VTVT01684		SCREW TE 6X45	1,00			--
0016		VTDD01694		NUT M6 INOX	4,00			--
0017		VTDD01695		NUT M 8 INX	4,00			--
0018		VTRS13947		WASHER D. 8 INX UNI 6592	4,00			--
0019		LAFN07606		BASE -	1,00			--
0020		LAFN07823		SUPPORT -	1,00			--
0021		VTVT01352		SCREW TSPEI M8X20	4,00			--
0022		VTDD01694		NUT M6 INOX	1,00			--
0023		VTRS13947		WASHER D. 8 INX UNI 6592	1,00			--
0024		VTDD01695		NUT M 8 INX	1,00			--
0025		MOCC00383		ATUATOR CT70 ECS	1,00			--
0026		LAFN51065		PIN INFER.ATTUAT.TEST.	1,00			--
0027		VTAE13511		CIRCLIP D. 10 UNI 7435	2,00			--
0028		LAFN07824		ARM -	1,00			--
0029		LAFN07825		ARM -	1,00			--
0030		VTRS15978		WASHER D.12X24 UNI 6592 INX	4,00			--
0031		VTVT13937		SCREW TE M 8X 30 INX UNI 5739	4,00			--
0032		VTRS13947		WASHER D. 8 INX UNI 6592	4,00			--
0033		LAFN04151		BUSHING X PARALLELOGRAMMA	4,00			--
0034		LAFN07827		ARM -	1,00			--
0035		VTRS15978		WASHER D.12X24 UNI 6592 INX	4,00			--
0036		VTRS13947		WASHER D. 8 INX UNI 6592	4,00			--
0037		VTDD01695		NUT M 8 INX	4,00			--
0038		LAFN07826		ARM -	1,00			--
0039		VTVT15142		SCREW TE M 6x45 INOX	1,00			--



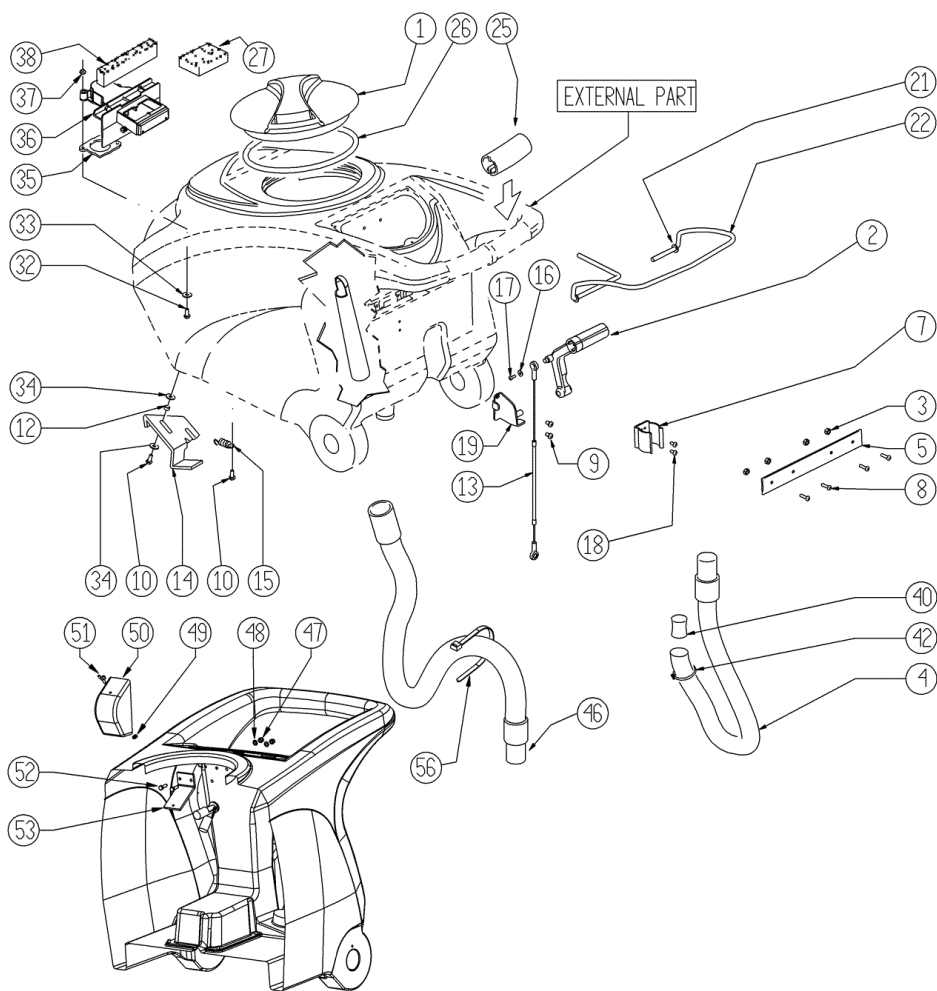
Ref. K	Part N.	Customer Part N.	Description	Qty	Validity:		Price
					From	To	
0040	LAFN04187		SPACER PER RIDUTTORE	2,00			--
0041	LAFN07828		ARM -	1,00			--
0042	VTVT15371		SCREW TE M 8X45 INOX A2 UNI	1,00			--
0043	VTVT01688		SCREW TBEI M 8X 30 ISO 7380 IX	4,00			--
0044	LAFN06860		BRACKET CT70	1,00			--
0045	VTRS15978		WASHER D.12X24 UNI 6592 INX	4,00			--
0046	LAFN04151		BUSHING X PARALLELOGRAMMA	4,00			--
0047	VTRS15978		WASHER D.12X24 UNI 6592 INX	4,00			--
0048	VTRS13946		WASHER D. 8 X24 INX UNI 6593	4,00			--
0049	VTDD01695		NUT M 8 INX	4,00			--
0050	VTDD01695		NUT M 8 INX	1,00			--
0051	VTVT00224		SCREW	1,00			--
0052	VTVT13938		SCREW TE 8X20 UNI5739 INX	1,00			--
0053	VTRS13945		WASHER D. 6X18 INX UNI 6593	1,00			--
0054	VTRS15146		WASHER D. 8 INX GRW UNI 1751	1,00	03/2013		--



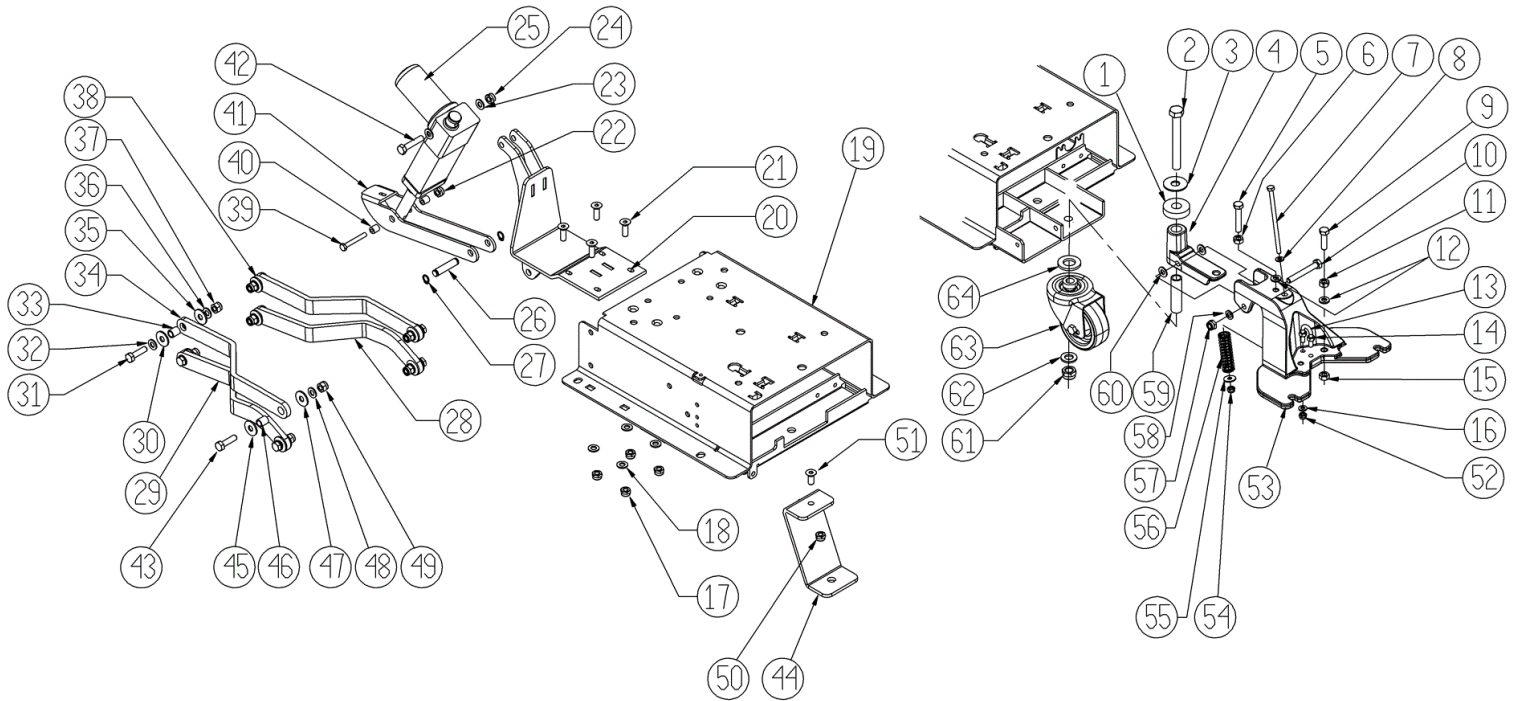
Ref.	K	Part N.	Customer Part N.	Description	Qty	Validity:		Price
						From	To	
0001		LAFN09302		CLOSURE -	2,00	09/2013		--
0002		MPVR49229		BUSHING SHK	2,00			--
0003		MPVR05290		ROLLER PARACOLPI	2,00			--
0004		GUGO00164		GASKET	2,00			--
0005		LAFN04100		SPACER PER RUOTINO PARACOLPI	2,00			--
0006		MPVR06003		KNOB AISI 304	2,00		03/2013	--
0006		MPVR06004		KNOB AISI 304	2,00	03/2013		--
0008		VTRS00245		WASHER D.6 UNI 6592 INOX	2,00			--
0009		LAFN09014		PLATE -	1,00			--
0010		GUVR00303		GASKET -	1,00			--
0011		GUVR00302		GASKET -	1,00			--
0012		LAFN09301		SOCKET -	2,00	09/2013		--
0014		LAFN08952		BRACKET -	1,00		09/2013	--
0014		LAFN09284		SHEET METAL PA.-	1,00	09/2013		--
0015		LAFN08953		BRACKET -	1,00		09/2013	--
0015		LAFN09285		SHEET METAL PA.-	1,00	09/2013		--
0016		MPVR05804		RUBBER FRONT SQUEEGEE L PU	1,00			--
0017		VTRS16937		WASHER 6x24 INOX UNI 6593	2,00			--
0018		KTRI02049		BODY SQUEEGEE PRESSOFUSO "L"	1,00			--
0019		VTVT00841		SCREW TE M 6X65 UNI 5739 INX	2,00			--
0020		VTVT15515		SCREW TE M 6X 50 INOX A2	2,00			--
0021		MPVR05898		CLOSURE L	2,00			--
0022		MPVR05806		RUBBER REAR SQUEEGEE L PU	1,00			--
0023		LAFN08954		BRACKET -	1,00		09/2013	--
0023		LAFN09286		SHEET METAL PA.-	1,00	09/2013		--
0024		LAFN08955		BRACKET -	1,00		09/2013	--
0024		LAFN09287		SHEET METAL PA.-	1,00	09/2013		--
0025		LAFN09015		PLATE -	1,00			--
0026		VTVR00565		INSERT	2,00			--
0027		VTDD00210		NUT M 3 INOX	8,00	09/2013		--
0028		VTVT01070		SCREW TSTC M3X8	8,00	09/2013		--



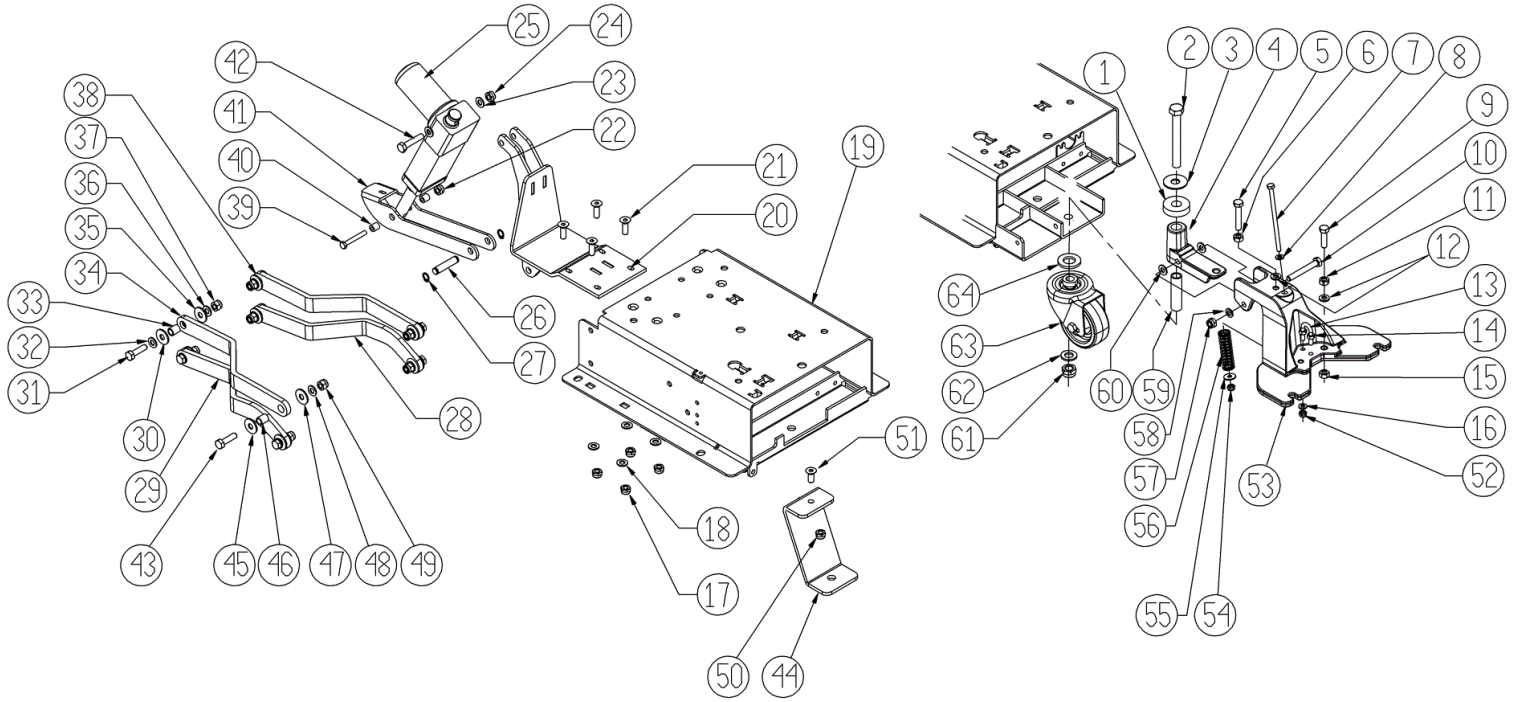
Ref. K	Part N.	Customer Part N.	Description	Qty	Validity:		Price
					From	To	
0001	MPVR04051		TANK CAP	1,00			--
0002	MPVR49942		LEVER SHK PP	1,00			--
0003	VTDD15518		NUT M 6 INX	4,00			--
0004	TBFX00358		TUBE PU CT40/70/90	1,00			--
0005	LAFN05865		PLATE COPRILEVA CONSENSO	1,00			--
0007	MPVR46988		CLIP LAV. SHK	1,00			--
0008	VTVT00651		SCREW TBEI M. 5x16 INOX	4,00			--
0009	VTVT15906		SCREW TE 6X 12 A2 UNI 5739	2,00			--
0010	VTVT15143		SCREW TE 6X16 UNI5739	3,00			--
0012	LAFN03626		SPACER	2,00			--
0013	CMCV00464		CABLE SOLLEVAMENTO TERGI	1,00			--
0014	LAFN06849		HANDLE CT 70	1,00			--
0015	MLML00203		SPRING	1,00			--
0016	VTRS00251		WASHER 4-16 INOX A2	1,00			--
0017	VTVT00800		SCREW TC 4X12 ZN	1,00			--
0018	VTVT21096		SCREW TE M 4X 10 INX	2,00			--
0019	LAFN05870		BRACKET LEVA SOLLEVAM. SQUEEGEE	1,00			--
0021	VTRS13947		WASHER D. 8 INX UNI 6592	2,00			--
0022	LAFN05861		LEVER CONSENSO SPAZZOLE	1,00			--
0025	MPVR05215		KNOB -	2,00			--
0026	GUGO00263		GASKET CIRCOLARE TAPPO	1,00			--
0027	FTDP00133		FILTER	1,00			--
0032	VTVT01139		SCREW TE M.4-25	2,00			--
0033	VTRS00515		WASHER D. 4 INX	2,00			--
0034	VTRS00274		WASHER NYLON 66 D.8,4-17-2 UNI	4,00			--
0035	GUGO00417		GASKET SCATOLA ASPIRAZIONE	1,00			--
0036	MPVR05482		BOX -	1,00			--
0037	VTDD15925		NUT M 4 INX	2,00			--
0038	GUGO00418		GASKET CONDOTTO ASPIRAZIONE	1,00			--
0040	GUGO00245		GASKET	1,00			--
0042	FSVR43136		CLAMP D. 35-40 DF.	1,00			--
0046	TBFX00353		TUBE PU CT70-CT90	1,00			--
0047	VTDD01693		NUT M 5 INX	2,00			--
0048	VTRS00516		WASHER D. 5 INX	2,00			--
0049	VTVR01038		WASHER -	1,00			--
0050	MPVR05596		PROTECTION -	1,00			--
0051	VTVT01150		SCREW 4x10	1,00			--
0052	VTVT07725		SCREW TE 5X16 UNI5739 INX	2,00			--
0053	LAFN07631		BRACKET -	1,00			--



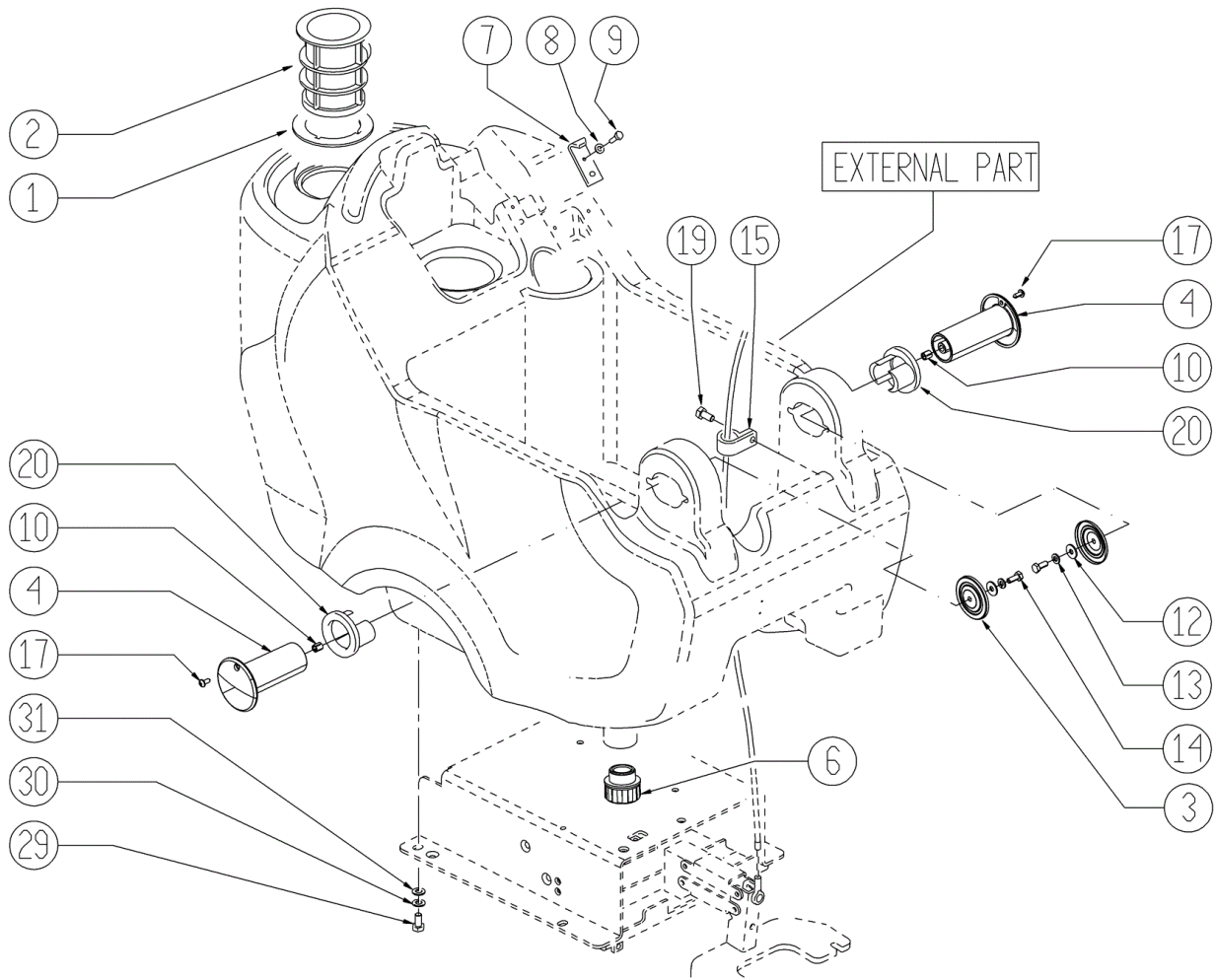
Ref. K	Part N.	Customer Part N.	Description	Qty	Validity:		Price
					From	To	
0056	FSVR00248		CLAMP -	1,00			--



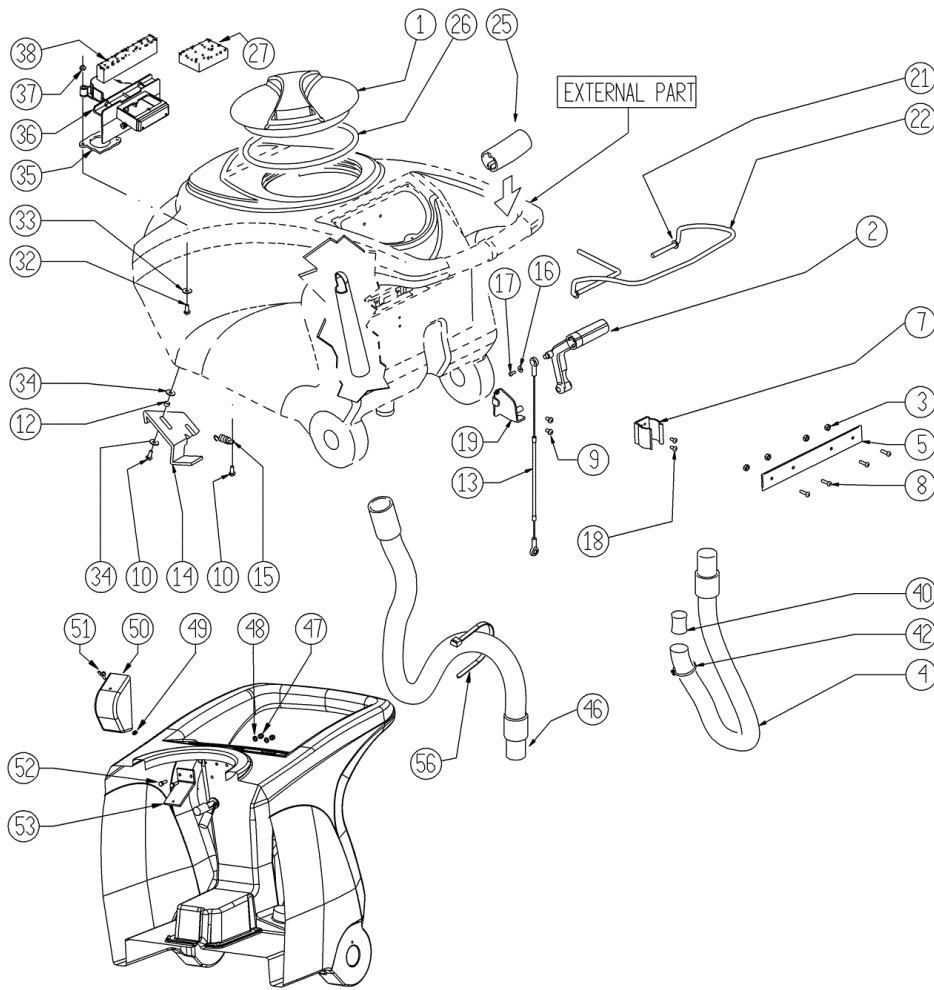
Ref. K	Part N.	Customer Part N.	Description	Qty	Validity:		Price
					From	To	
0001	MPVR06069		WASHER 15X40	1,00			--
0002	VTVT00285		SCREW TE M12X110	1,00			--
0003	VTRS09142		WASHER D.12 X 36	1,00			--
0004	MFVR00226		SUPPORT SQUEEGEE	1,00			--
0005	VTVT15371		SCREW TE M 8X45 INOX A2 UNI	1,00			--
0006	VTDD15521		NUT M 8 INX A2 UNI 5588	1,00			--
0007	VTVT01008		SCREW 6X110	1,00			--
0008	VTRS00245		WASHER D.6 UNI 6592 INOX	1,00			--
0009	VTVT13937		SCREW TE M 8X 30 INX UNI 5739	1,00			--
0010	VTVT01009		SCREW 8X60	1,00			--
0011	VTDD15521		NUT M 8 INX A2 UNI 5588	1,00			--
0012	VTRS15146		WASHER D. 8 INX GRW UNI 1751	1,00			--
0013	LAFN09231		BRACKET M6X11X29	1,00			--
0014	VTDD00053		NUT M6 INOX UNI5589	1,00			--
0015	VTDD15521		NUT M 8 INX A2 UNI 5588	1,00			--
0016	VTRS00245		WASHER D.6 UNI 6592 INOX	1,00			--
0017	VTDD01695		NUT M 8 INX	4,00			--
0018	VTRS13947		WASHER D. 8 INX UNI 6592	4,00			--
0019	LAFN07606		BASE -	1,00			--
0020	LAFN07823		SUPPORT -	1,00			--
0021	VTVT01352		SCREW TSPEI M8X20	4,00			--
0022	VTDD01694		NUT M6 INOX	1,00			--
0023	VTRS13947		WASHER D. 8 INX UNI 6592	1,00			--
0024	VTDD01695		NUT M 8 INX	1,00			--
0025	MOCC00383		ATUATOR CT70 ECS	1,00			--
0026	LAFN51065		PIN INFER.ATTUAT.TEST.	1,00			--
0027	VTAE13511		CIRCLIP D. 10 UNI 7435	2,00			--
0028	LAFN07824		ARM -	1,00			--
0029	LAFN07825		ARM -	1,00			--
0030	VTRS15978		WASHER D.12X24 UNI 6592 INX	4,00			--
0031	VTVT13937		SCREW TE M 8X 30 INX UNI 5739	4,00			--
0032	VTRS13947		WASHER D. 8 INX UNI 6592	4,00			--
0033	LAFN04151		BUSHING X PARALLELOGRAMMA	4,00			--
0034	LAFN07827		ARM -	1,00			--
0035	VTRS15978		WASHER D.12X24 UNI 6592 INX	4,00			--
0036	VTRS13947		WASHER D. 8 INX UNI 6592	4,00			--
0037	VTDD01695		NUT M 8 INX	4,00			--
0038	LAFN07826		ARM -	1,00			--
0039	VTVT15142		SCREW TE M 6x45 INOX	1,00			--



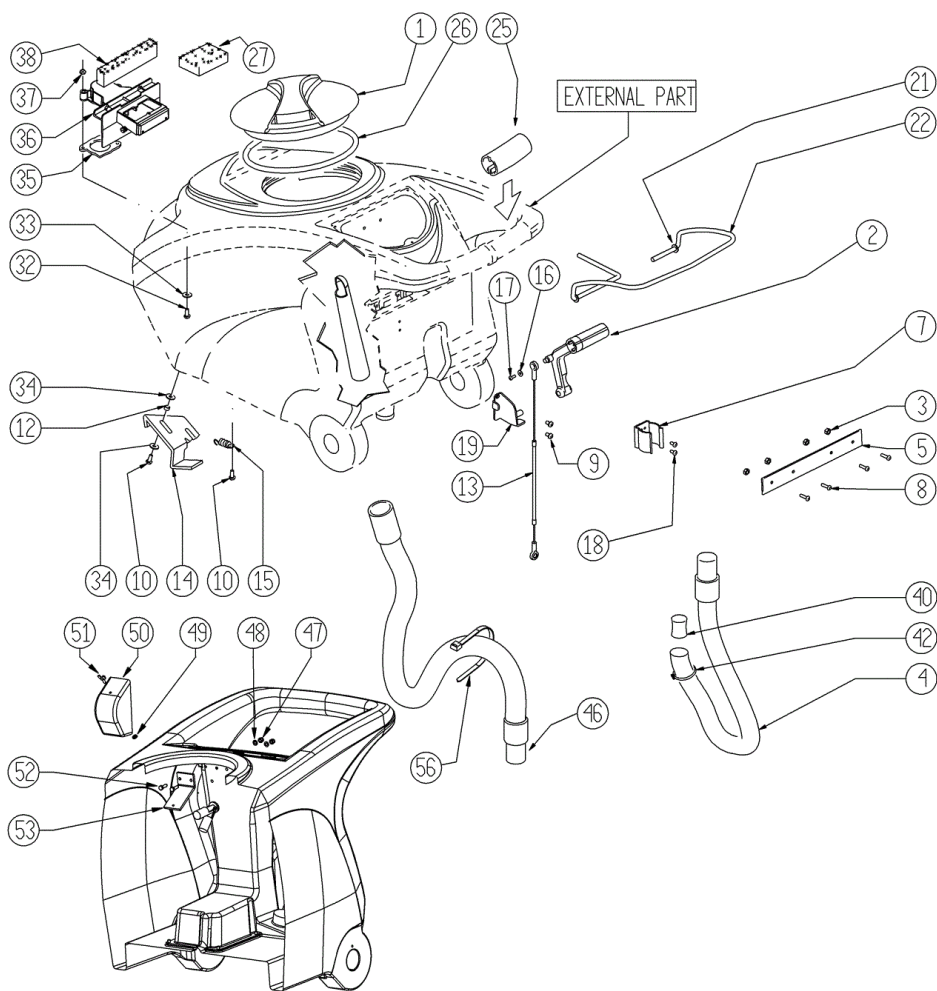
Ref.	K	Part N.	Customer Part N.	Description	Qty	Validity:		Price
						From	To	
0040		LAFN04187		SPACER PER RIDUTTORE	2,00			--
0041		LAFN07828		ARM -	1,00			--
0042		VTVT15371		SCREW TE M 8X45 INOX A2 UNI	1,00			--
0043		VTVT01688		SCREW TBEI M 8X 30 ISO 7380 IX	4,00			--
0044		LAFN06860		BRACKET CT70	1,00			--
0045		VTRS15978		WASHER D.12X24 UNI 6592 INX	4,00			--
0046		LAFN04151		BUSHING X PARALLELOGRAMMA	4,00			--
0047		VTRS15978		WASHER D.12X24 UNI 6592 INX	4,00			--
0048		VTRS13946		WASHER D. 8 X24 INX UNI 6593	4,00			--
0049		VTDD01695		NUT M 8 INX	4,00			--
0050		VTDD01695		NUT M 8 INX	1,00			--
0051		VTVT00224		SCREW	1,00			--
0052		VTDD01694		NUT M6 INOX	1,00			--
0053		MFVR00227		SUPPORT SQUEEGEE	1,00			--
0054		VTDD01694		NUT M6 INOX	1,00			--
0055		VTRS13945		WASHER D. 6X18 INX UNI 6593	1,00			--
0056		MLML00338		SPRING -	1,00			--
0057		VTDD01695		NUT M 8 INX	1,00			--
0058		VTRS13947		WASHER D. 8 INX UNI 6592	1,00			--
0059		LAFN09006		PIN -	1,00			--
0060		VTRS00274		WASHER NYLON 66 D.8,4-17-2 UNI	1,00			--
0061		VTDD00176		NUT M.12 INOX A2 BASSO AUTOB.	1,00			--
0062		VTRS15978		WASHER D.12X24 UNI 6592 INX	1,00			--
0063		RTRT00395		WHEEL CASTOR D.80X25 PU	1,00			--
0064		VTRS09142		WASHER D.12 X 36	1,00			--



Ref. K	Part N.	Customer Part N.	Description	Qty	Validity:		Price
					From	To	
0001	GUGO00267		GASKET FILTRO	1,00			--
0002	FTAC00040		FILTER -	1,00			--
0003	LAFN07800		SHEET METAL PA.-	2,00			--
0004	MPVR48695		PIN SHK.BK	2,00			--
0006	MPVR08003		CAP	1,00			--
0007	LAFN06489		PLATE	1,00			--
0008	VTRS15144		WASHER D. 6 INX GRW UNI 1751	1,00			--
0009	VTVT01303		SCREW TE M6-10 INOX	1,00			--
0010	VTVR48693		INSERT M6 D.9	2,00			--
0012	VTRS13945		WASHER D. 6X18 INX UNI 6593	2,00			--
0013	VTRS15144		WASHER D. 6 INX GRW UNI 1751	2,00			--
0014	VTVT15143		SCREW TE 6X16 UNI5739	2,00			--
0015	MPVR02933		DUCT LOCK D.9,5	2,00			--
0017	VTVT48694		SCREW TCB TC 5 X12 UNI 9707 TZ	2,00			--
0019	VTVT15961		SCREW M 5X 16 TCB TC UNI 7687	1,00			--
0020	PMVR02028		RUBBER GRUPPO MONTAGGIO	2,00			--
0029	VTVT15916		SCREW TE M 8X 16 UNI 5739 A2	4,00			--
0030	VTRS00269		WASHER D. 8 DIN 6798-A INX A2	4,00			--
0031	VTRS13947		WASHER D. 8 INX UNI 6592	4,00			--



Ref.	K	Part N.	Customer Part N.	Description	Qty	Validity:		Price
						From	To	
0001		MPVR04051		TANK CAP	1,00			--
0002		MPVR49942		LEVER SHK PP	1,00			--
0003		VTDD15518		NUT M 6 INX	4,00			--
0004		TBFX00348		TUBE CT40-70-90 HOSE DRAIN	1,00		04/2013	--
0004		TBFX00358		TUBE PU CT40/70/90	1,00	04/2013		--
0005		LAFN05865		PLATE COPRILEVA CONSENSO	1,00			--
0007		MPVR46988		CLIP LAV. SHK	1,00			--
0008		VTVT00651		SCREW TBEI M. 5x16 INOX	4,00			--
0009		VTVT15906		SCREW TE 6X 12 A2 UNI 5739	2,00			--
0010		VTVT15143		SCREW TE 6X16 UNI5739	3,00			--
0012		LAFN03626		SPACER	2,00			--
0013		CMCV00361		CABLE CABLE LIFTING SQUEEGEE HD	1,00			--
0014		LAFN06849		HANDLE CT 70	1,00			--
0015		MLML00203		SPRING	1,00			--
0016		VTRS00251		WASHER 4-16 INOX A2	1,00			--
0017		VTVT00800		SCREW TC 4X12 ZN	1,00			--
0018		VTVT21096		SCREW TE M 4X 10 INX	2,00			--
0019		LAFN05870		BRACKET LEVA SOLLEVAM. SQUEEGEE	1,00			--
0021		VTRS13947		WASHER D. 8 INX UNI 6592	2,00			--
0022		LAFN05861		LEVER CONSENSO SPAZZOLE	1,00			--
0025		MPVR05215		KNOB -	2,00			--
0026		GUGO00263		GASKET CIRCOLARE TAPPO	1,00			--
0027		FTDP00133		FILTER	1,00			--
0032		VTVT01139		SCREW TE M.4-25	2,00			--
0033		VTRS00515		WASHER D. 4 INX	2,00			--
0034		VTRS00274		WASHER NYLON 66 D.8,4-17-2 UNI	4,00			--
0035		GUGO00417		GASKET SCATOLA ASPIRAZIONE	1,00			--
0036		MPVR05482		BOX -	1,00			--
0037		VTDD15925		NUT M 4 INX	2,00			--
0038		GUGO00418		GASKET CONDOTTO ASPIRAZIONE	1,00			--
0040		GUGO00245		GASKET	1,00			--
0042		FSVR43136		CLAMP D. 35-40 DF.	1,00			--
0046		TBFX00353		TUBE PU CT70-CT90	1,00			--
0047		VTDD01693		NUT M 5 INX	2,00			--
0048		VTRS00516		WASHER D. 5 INX	2,00			--
0049		VTVR01038		WASHER -	1,00			--
0050		MPVR05596		PROTECTION -	1,00			--
0051		VTVT01150		SCREW 4x10	1,00			--
0052		VTVT07725		SCREW TE 5X16 UNI5739 INX	2,00			--



Ref.	K	Part N.	Customer Part N.	Description	Qty	Validity:		Price
						From	To	
0053		LAFN07631		BRACKET -	1,00			--
0056		FSVR00248		CLAMP -	1,00			--