



Electronic Service Manuals

This electronic document is provided as a service to our customers. We do not create the contents of the information contained in this document. Should you have detailed questions pertaining to the information contained in this document, you may contact Michco, or the manufacturer which provided the original information in this electronic deliverable. Michco's only part in this electronic deliverable was the electronic assembly process. By providing this manual on line we are not guaranteeing parts availability.

You may contact Michco through the following methods:

Phone (517) 484-9312 or (800) 331-3339

2011 N. High St. -- Lansing, Michigan -- 48906

Fax: (517) 484-9836

Email: CustServe@Michco.com

Web site: www.Michco.Com

Parts Web site: www.FloorMachineParts.Com

Order Parts on Line at:

www.FloorMachineParts.Com

Directly to Parts & Service:

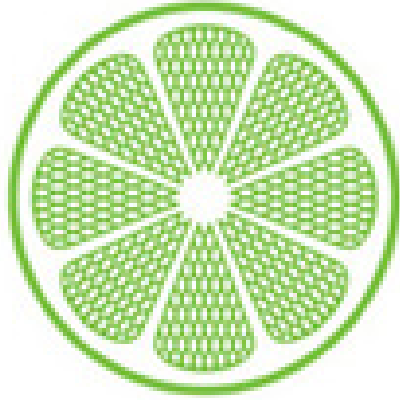
By Email: **Shop@Michco.com**

By Fax: (517) 702-2041

By Voice: Use numbers above.

Serving the Cleaning Industry Since 1922

Notice: All copyrighted material remains property of original owners, all trademarks are property of respective owners. Manuals are subject to Manufacturer's reproduction limitations. Originals or reproductions were provided by manufacturers through a request. We make no warranty as to the correctness of information provided in this document and you assume all risk. By placing these manuals on line we are not declaring our corporation to be an manufacturer authorized dealer or provider, please check our web site for authorized manufacturers we represent.



IPC Integrated Professional Cleaning

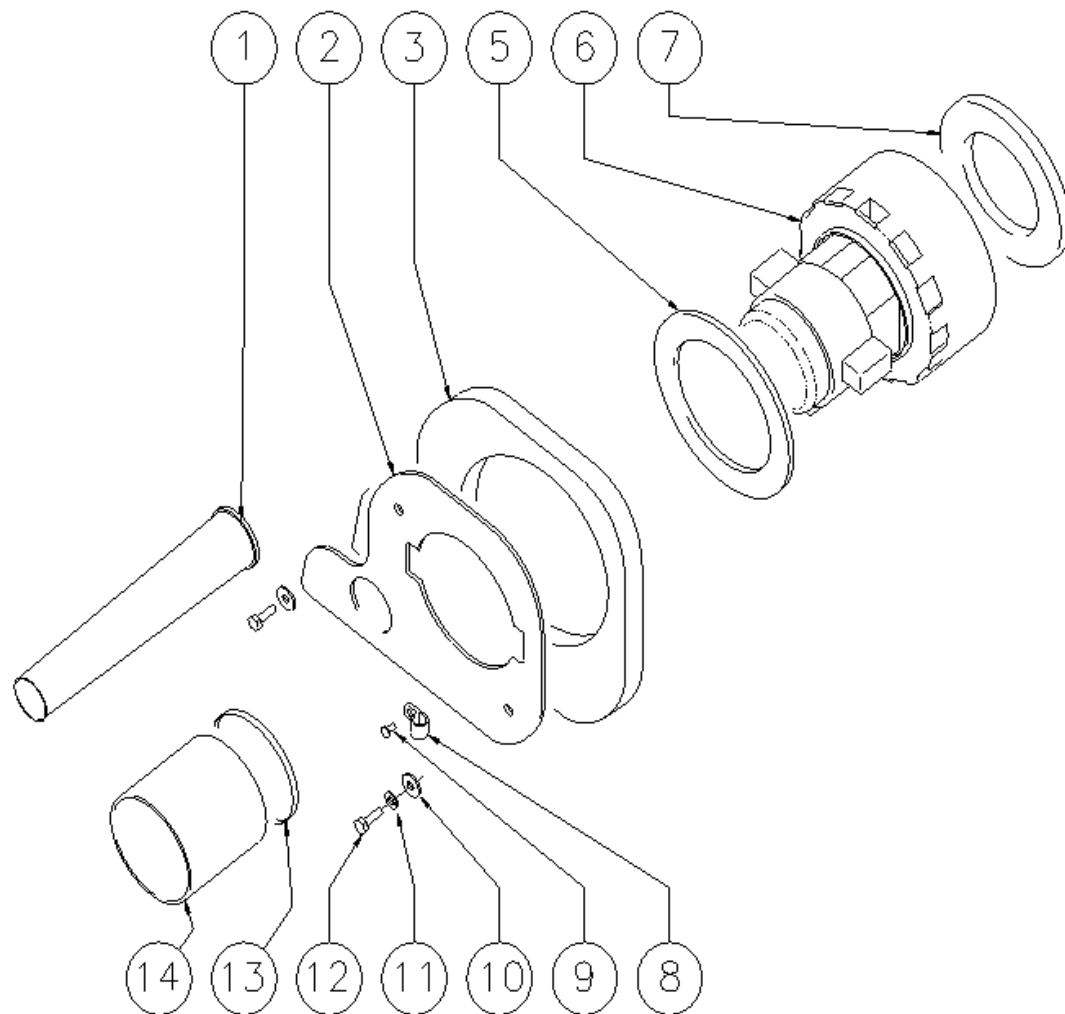
IPC Gansow

Spare Parts List

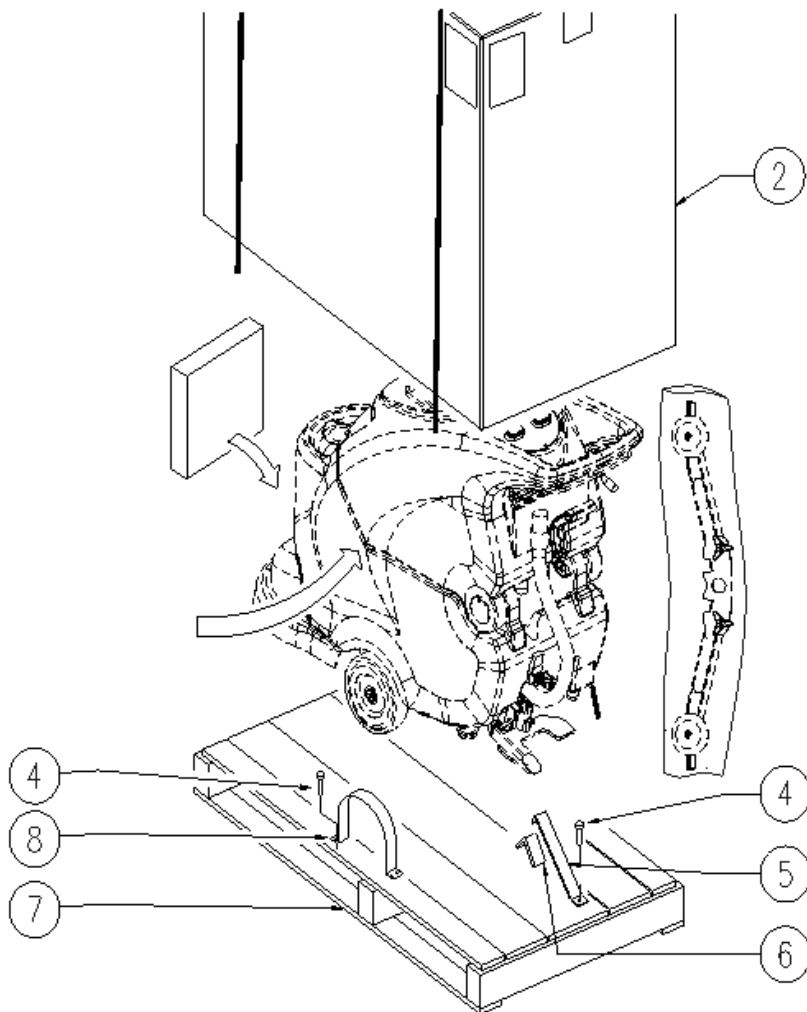
IPC EAGLE

Ref: LPTB02532

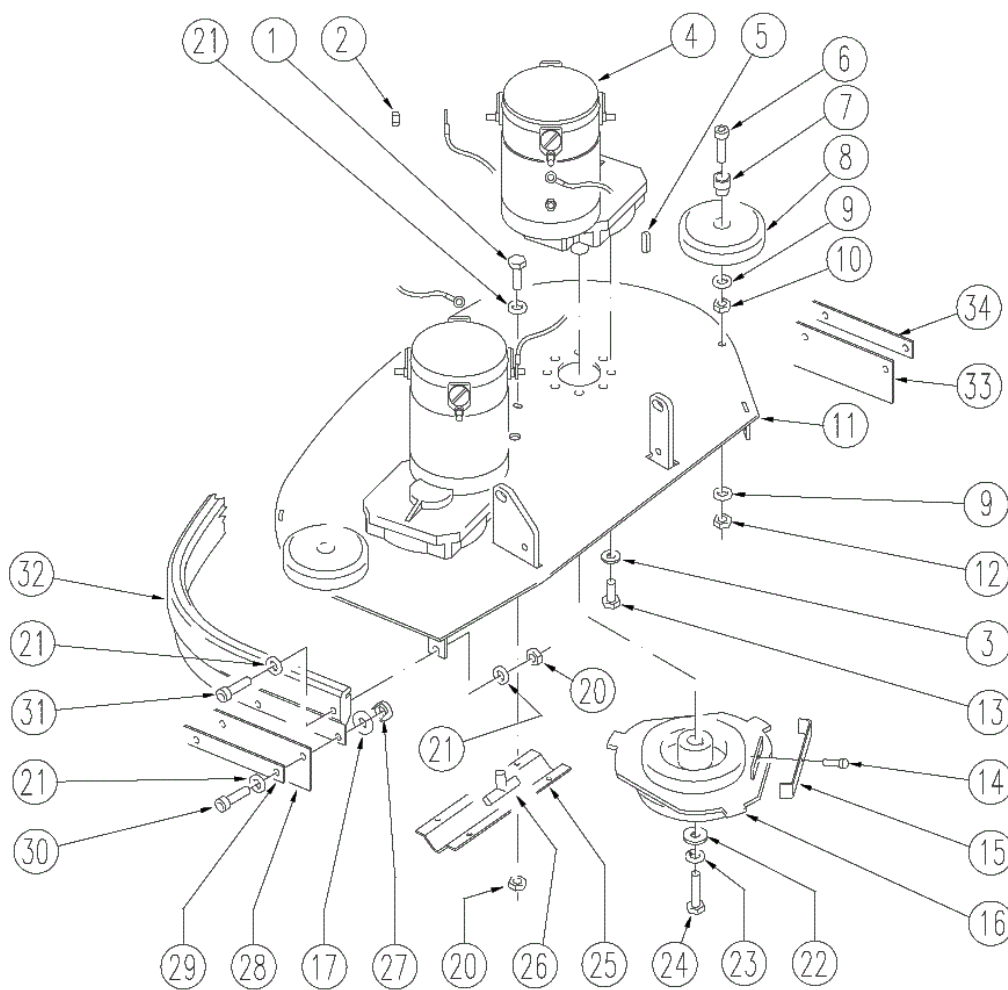
Model: CT70 BT70+CB GR/VE USA



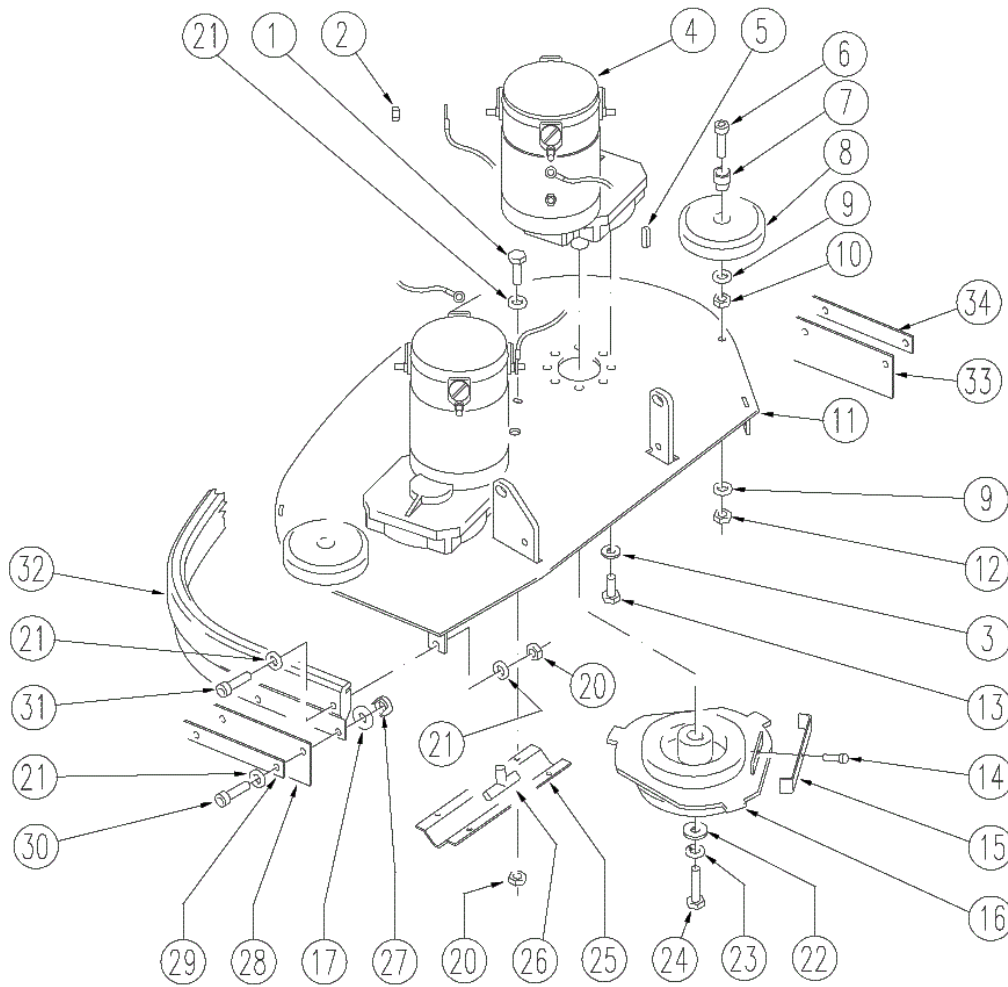
| Ref. | K | Part N. | Customer Part N. | Description | Qty | Validity: | | Price |
|------|---|-----------|------------------|----------------------------------|------|-----------|---------|-------|
| | | | | | | From | To | |
| 0001 | | MPVR05259 | | TUBE SCARICO | 1,00 | 06/2007 | | -- |
| 0001 | | TBFX00244 | | TUBE D 34 L200MM | 1,00 | | 06/2007 | -- |
| 0002 | | LAFN06363 | | FLANGE ASPIRATORE | 1,00 | | | -- |
| 0003 | | MPVR05103 | | SOUND-PROOFING ASPIRATORE | 1,00 | | | -- |
| 0005 | | MPVR04724 | | FLANGE IN NYLON | 1,00 | | | -- |
| 0006 | | MEVR05200 | | CARBON MOTORE ASP.AMET.116599-13 | 2,00 | | | -- |
| 0006 | | MOCC00253 | | MOTOR ASPIR.BIST.24V | 1,00 | | 11/2008 | -- |
| 0006 | | MOCC00349 | | MOTOR VACUUM 2 STAGES 24V | 1,00 | 11/2008 | | -- |
| 0007 | | GUGO00272 | | GASKET VACUUM MOTOR CT | 1,00 | | | -- |
| 0008 | | FSVR00099 | | CLAMP FERMATUBO | 1,00 | | | -- |
| 0009 | | VTVT00813 | | SCREW M 4X 8 TCB-TC UNI 8112 | 1,00 | | | -- |
| 0010 | | VTRS13945 | | WASHER D. 6X18 INX UNI 6593 | 2,00 | | | -- |
| 0011 | | VTRS15144 | | WASHER D. 6 INX GRW UNI 1751 | 2,00 | | | -- |
| 0012 | | VTVT15143 | | SCREW TE 6X16 UNI5739 | 2,00 | | | -- |
| 0013 | | FSVR00118 | | CLAMP D.94 | 1,00 | 05/2007 | | -- |
| 0013 | | FSVR00500 | | CLAMP 80-100 INOX | 1,00 | | 04/2007 | -- |
| 0014 | | TBFX00268 | | SUCTION HOSE D80 L=80MM | 1,00 | | 04/2007 | -- |
| 0014 | | TBFX00312 | | TUBE ASPIRAZIONE | 1,00 | 05/2007 | | -- |



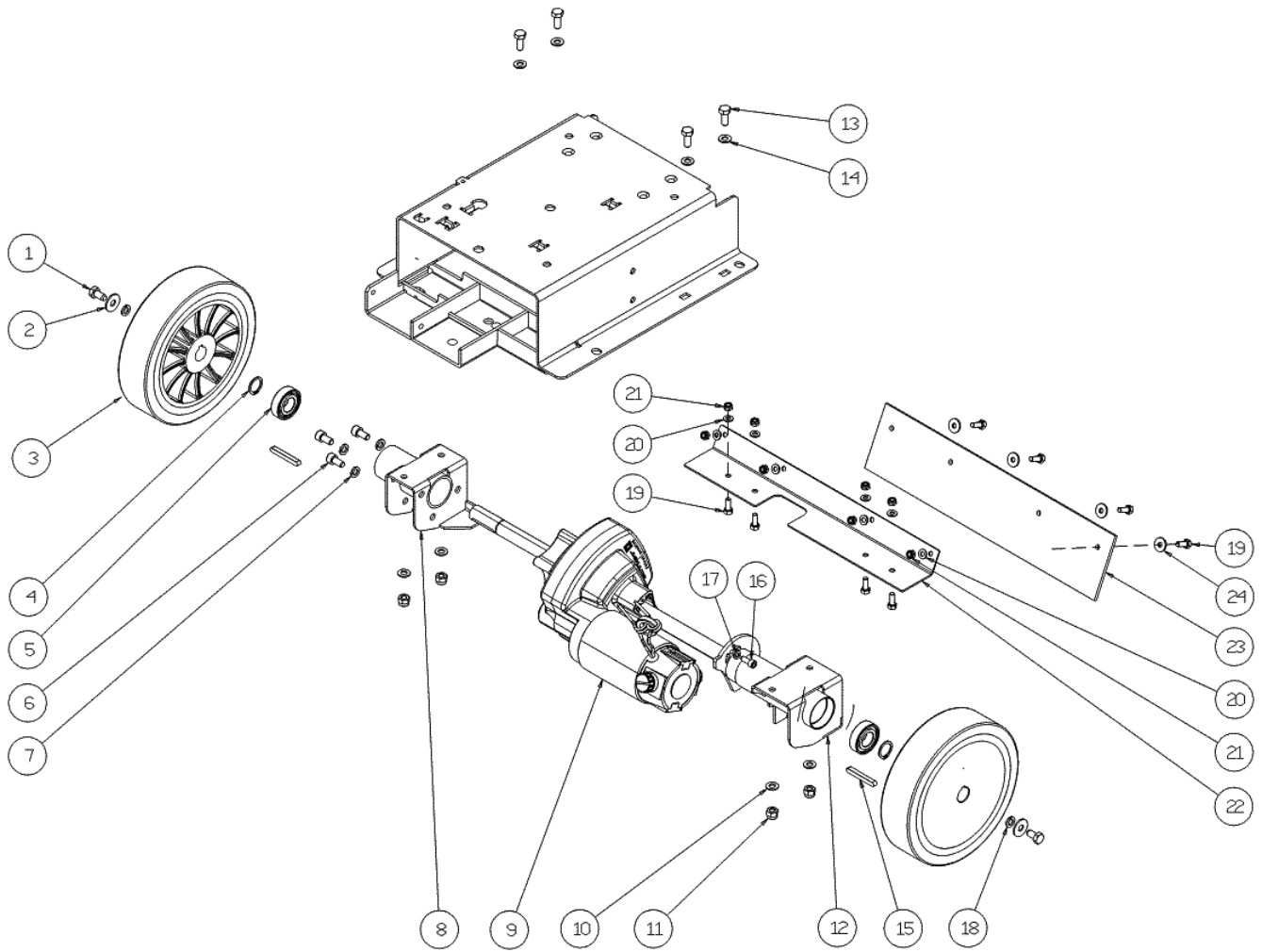
| Ref. | K | Part N. | Customer Part N. | Description | Qty | Validity: | | Price |
|------|---|-----------|------------------|---------------------------------|------|-----------|----|-------|
| | | | | | | From | To | |
| 0002 | | MICT00196 | | BOX | 1,00 | | | -- |
| 0004 | | VTVT00043 | | SCREW AUTOF.LEGNO 4,5X25 TS BR | 9,00 | | | -- |
| 0005 | | MIVR00137 | | CLAMP RUOTA POSTERIORE X IMBAL. | 1,00 | | | -- |
| 0006 | | GUGO00009 | | MOUSSE | 0,05 | | | -- |
| 0007 | | MIBA00054 | | PALLET Scrubber 40/62B/BF/A | 1,00 | | | -- |
| 0008 | | MIVR00135 | | CLAMP RUOTA POSTERIORE X IMBAL. | 2,00 | | | -- |



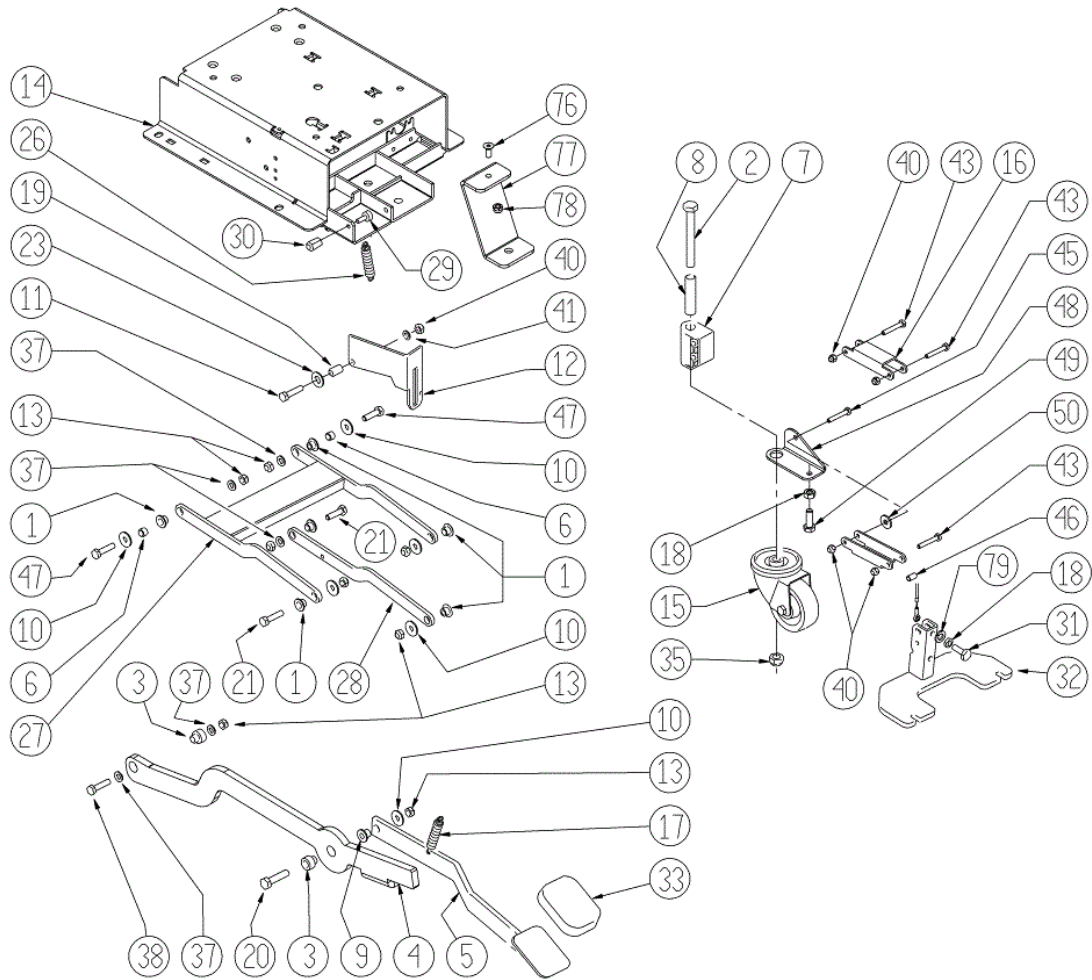
| Ref. | K | Part N. | Customer Part N. | Description | Qty | Validity: | | Price |
|------|---|-----------|------------------|---------------------------------|-------|-----------|---------|-------|
| | | | | | | From | To | |
| 0001 | | VTVT15143 | | SCREW TE 6X16 UNI5739 | 4,00 | | | -- |
| 0002 | | VTDD13942 | | NUT M 6 UNI 5587 INX | 4,00 | | | -- |
| 0003 | | VTRS15144 | | WASHER D. 6 INX GRW UNI 1751 | 18,00 | | | -- |
| 0004 | | MOCC00315 | | MOTOR MRP6 1/10 210G/ 24V W300 | 2,00 | | 06/2008 | -- |
| 0004 | | MOCC00328 | | MOTOR GEARBOX BRUSH 24V 380W | 2,00 | 06/2008 | | -- |
| 0004 | | MOCC00344 | | BRUSH - | 4,00 | | | -- |
| 0005 | | VTVR21944 | | KEY 6X6X30 | 2,00 | | | -- |
| 0006 | | VTVT00775 | | SCREW TCEI M 8X40 ZC.BK UNI5931 | 2,00 | | 06/2009 | -- |
| 0006 | | VTVT06241 | | SCREW 8X40 | 2,00 | 06/2009 | | -- |
| 0007 | | LAFN03915 | | BUSHING NUOVO RUOTINO STRONG | 2,00 | | | -- |
| 0008 | | MPVR05290 | | ROLLER PARACOLPI | 2,00 | 04/2008 | | -- |
| 0008 | | RTRT43370 | | CASTER D.100 2V. | 2,00 | | 04/2008 | -- |
| 0009 | | VTRS13947 | | WASHER D. 8 INX UNI 6592 | 4,00 | | | -- |
| 0010 | | VTDD15521 | | NUT M 8 INX A2 UNI 5588 | 2,00 | | | -- |
| 0011 | | LAFN06723 | | PLATE - | 1,00 | 07/2011 | 03/2012 | -- |
| 0011 | | LAFN07949 | | HEAD 70 | 1,00 | 03/2012 | | -- |
| 0011 | | LAFN09088 | | HEAD 70 | 1,00 | | 07/2011 | -- |
| 0012 | | VTDD01695 | | NUT M 8 INX | 2,00 | | | -- |
| 0013 | | VTVT15906 | | SCREW TE 6X 12 A2 UNI 5739 | 14,00 | | | -- |
| 0014 | | VTVT21887 | | SCREW TCB-TC 4X10 8112 | 2,00 | | | -- |
| 0015 | | MLML00230 | | SPRING ANTISGANCIO 70 X FLANGIA | 2,00 | | 09/2007 | -- |
| 0015 | | MLML00231 | | SPRING ANTISGANCIO 85 X FLANGIA | 2,00 | 09/2007 | 06/2012 | -- |
| 0015 | | MLML00328 | | SPRING - | 2,00 | 06/2012 | | -- |
| 0016 | | MFVR00212 | | DRIVE DISK | 2,00 | | | -- |
| 0017 | | MPVR35582 | | RUBBER LAV. | 8,00 | | | -- |
| 0020 | | VTDD15518 | | NUT M 6 INX | 9,00 | | | -- |
| 0021 | | VTRS13945 | | WASHER D. 6X18 INX UNI 6593 | 22,00 | | | -- |
| 0022 | | VTRS13946 | | WASHER D. 8 X24 INX UNI 6593 | 2,00 | | | -- |
| 0023 | | VTRS15146 | | WASHER D. 8 INX GRW UNI 1751 | 2,00 | | | -- |
| 0024 | | VTVT13938 | | SCREW TE 8X20 UNI5739 INX | 2,00 | | | -- |
| 0025 | | LAFN07236 | | DISTRIBUTOR 70 | 1,00 | | | -- |
| 0027 | | VTDD00175 | | NUT M.6 TONDO FILET.4 PUNTE | 8,00 | | | -- |
| 0028 | | MPVR04746 | | FLAP 355X63 sp.4 | 2,00 | | 03/2012 | -- |
| 0028 | | MPVR05534 | | FLAP | 1,00 | 03/2012 | | -- |
| 0029 | | MPVR05207 | | SHEET METAL PA.FLAP | 2,00 | | 03/2012 | -- |
| 0029 | | MPVR05535 | | FLAP PRESS | 1,00 | 03/2012 | | -- |
| 0030 | | VTVT15143 | | SCREW TE 6X16 UNI5739 | 8,00 | | | -- |
| 0031 | | VTVT00392 | | SCREW M6x35 UNI5739 inox | 5,00 | | | -- |
| 0032 | | MPVR05232 | | BUMPER - | 1,00 | | 03/2012 | -- |



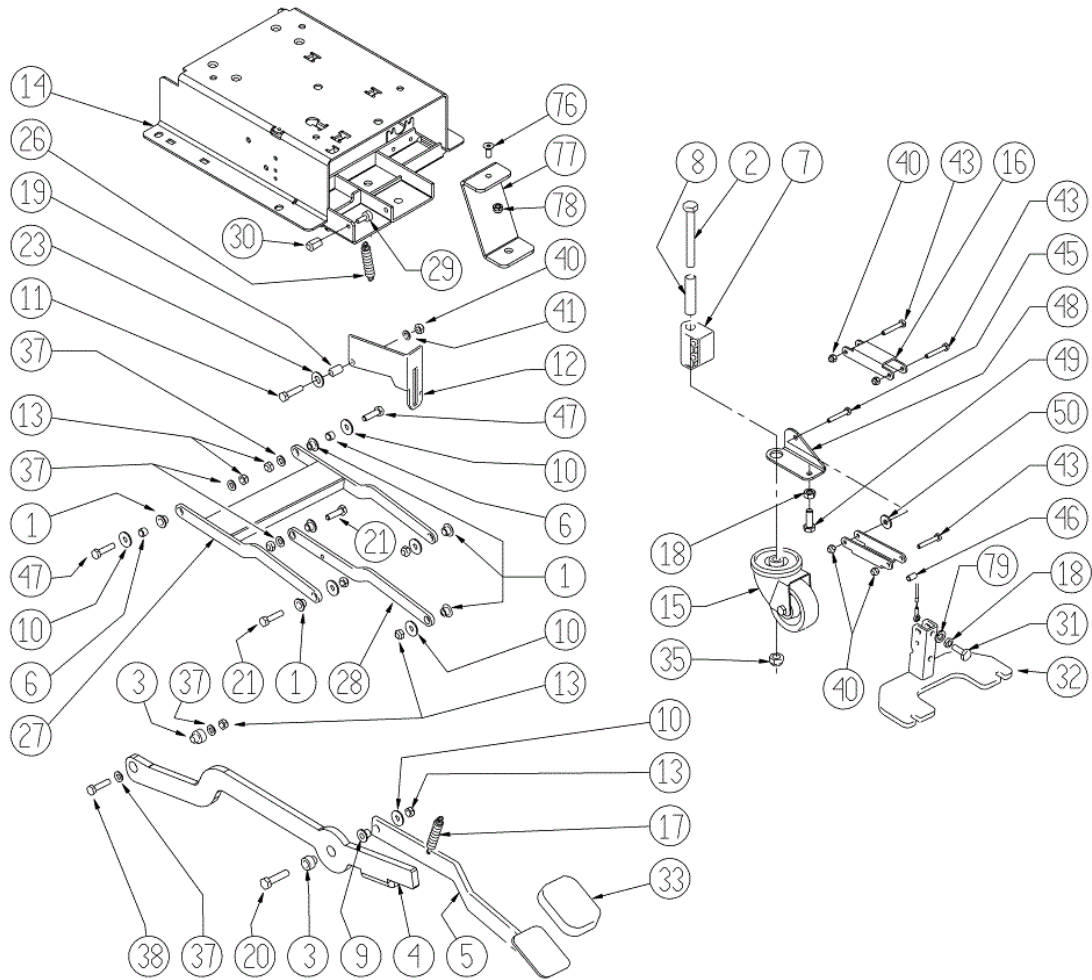
| Ref. K | Part N. | Customer Part N. | Description | Qty | Validity: | | Price |
|--------|-----------|------------------|-------------|------|-----------|----|-------|
| | | | | | From | To | |
| 0032 | MPVR06224 | | BUMPER - | 1,00 | 03/2012 | | -- |
| 0033 | MPVR05270 | | FLAP DX | 1,00 | 03/2012 | | -- |
| 0034 | MPVR05269 | | FLAP FLAP | 1,00 | 03/2012 | | -- |



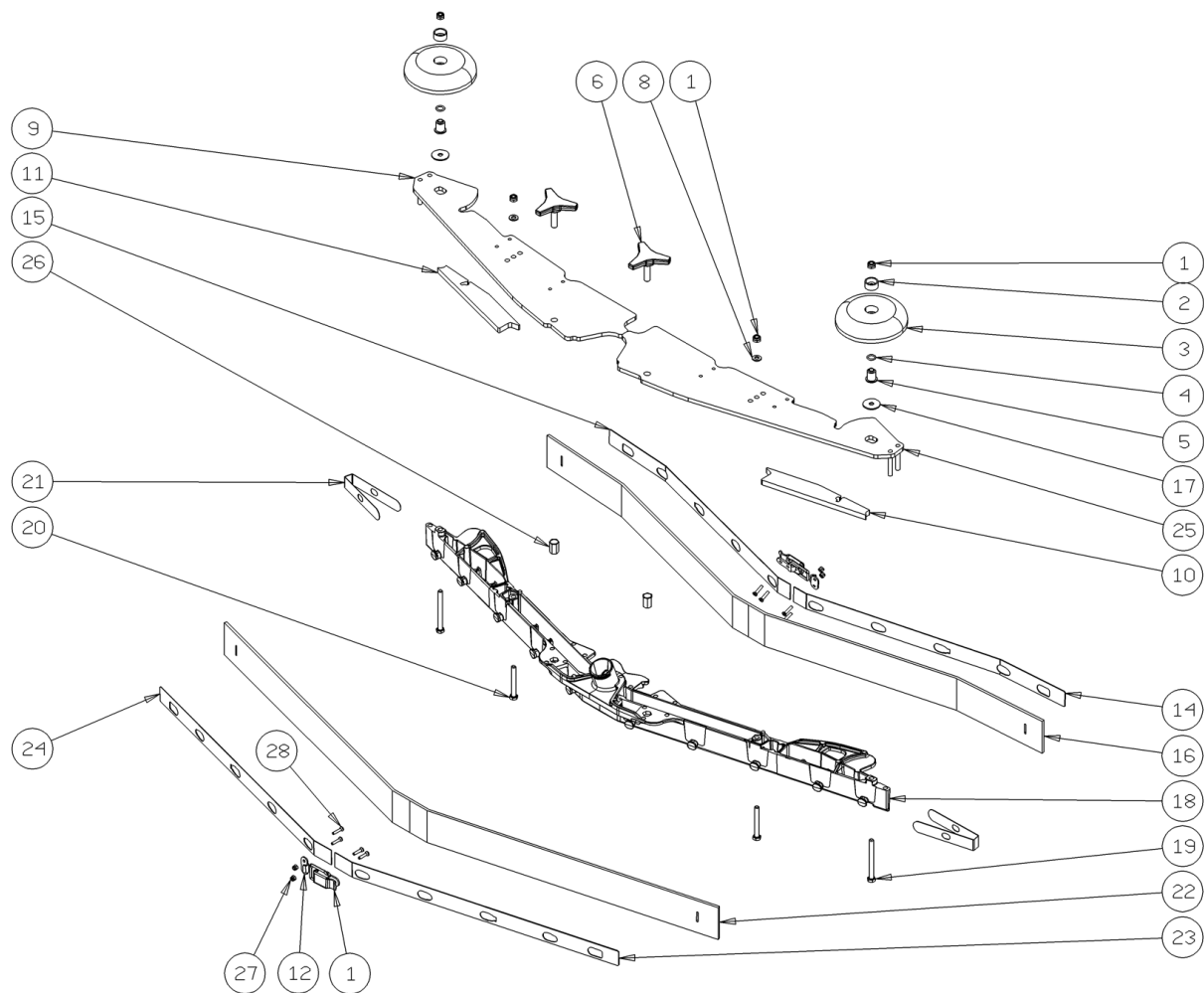
| Ref. | K | Part N. | Customer Part N. | Description | Qty | Validity: | | Price |
|------|---|-----------|------------------|------------------------------|------|-----------|---------|-------|
| | | | | | | From | To | |
| 0001 | | VTVT15916 | | SCREW TE M 8X 16 UNI 5739 A2 | 2,00 | | | -- |
| 0002 | | VTRS13946 | | WASHER D. 8 X24 INX UNI 6593 | 2,00 | | | -- |
| 0003 | | RTRT00524 | | WHEEL - | 2,00 | | 05/2010 | -- |
| 0003 | | RTRT00529 | | WHEEL D200 | 2,00 | 05/2010 | 06/2012 | -- |
| 0003 | | RTRT00546 | | WHEEL D.200 | 2,00 | 06/2012 | | -- |
| 0004 | | VTAE06193 | | CIRCLIP D. 20 UNI 7435 | 2,00 | | | -- |
| 0005 | | CUVR00083 | | BEARING 6004 2RS H SKF | 2,00 | 09/2011 | 04/2013 | -- |
| 0005 | | CUVR00190 | | BEARING 6004 | 2,00 | 04/2013 | | -- |
| 0005 | | CUVR19846 | | BALL BEARING 6004 2RS1 | 2,00 | | 09/2011 | -- |
| 0006 | | VTVT00876 | | SCREW TCEI M.8-16 | 3,00 | | | -- |
| 0007 | | VTRS15146 | | WASHER D. 8 INX GRW UNI 1751 | 3,00 | | | -- |
| 0008 | | LAFN07811 | | SUPPORT - | 1,00 | | | -- |
| 0009 | | MOCC00022 | | CARBON X MOT.COD.MOCC86902 | 2,00 | | | -- |
| 0009 | | MOCC00373 | | MOTOR - | 1,00 | | 10/2010 | -- |
| 0009 | | MOCC00395 | | MOTOR TRACTION 24V 200W 150G | 1,00 | 10/2010 | | -- |
| 0010 | | VTRS13947 | | WASHER D. 8 INX UNI 6592 | 4,00 | | | -- |
| 0011 | | VTDD01695 | | NUT M 8 INX | 4,00 | | | -- |
| 0012 | | LAFN07813 | | SUPPORT - | 1,00 | | | -- |
| 0013 | | VTVT15916 | | SCREW TE M 8X 16 UNI 5739 A2 | 4,00 | | | -- |
| 0014 | | VTRS13947 | | WASHER D. 8 INX UNI 6592 | 4,00 | | | -- |
| 0015 | | VTVR00566 | | KEY 6X10X40 | 2,00 | 06/2012 | | -- |
| 0015 | | VTVR33668 | | KEY 6x 6x40 UNI 6604A | 2,00 | | 06/2012 | -- |
| 0016 | | VTVT00717 | | SCREW TCEI M. 6-16 | 2,00 | | | -- |
| 0017 | | VTRS15144 | | WASHER D. 6 INX GRW UNI 1751 | 2,00 | | | -- |
| 0018 | | VTRS15144 | | WASHER D. 6 INX GRW UNI 1751 | 2,00 | | | -- |
| 0019 | | VTVT15143 | | SCREW TE 6X16 UNI5739 | 8,00 | 07/2012 | | -- |
| 0020 | | VTRS00245 | | WASHER D.6 UNI 6592 INOX | 8,00 | 07/2012 | | -- |
| 0021 | | VTDD01694 | | NUT M6 INOX | 8,00 | 07/2012 | | -- |
| 0022 | | LAFN07951 | | BRACKET CT40-90 | 1,00 | 07/2012 | | -- |
| 0023 | | MPVR06230 | | FLAP CT40 CT70-90 | 1,00 | 07/2012 | | -- |
| 0024 | | VTRS13945 | | WASHER D. 6X18 INX UNI 6593 | 4,00 | 07/2012 | | -- |



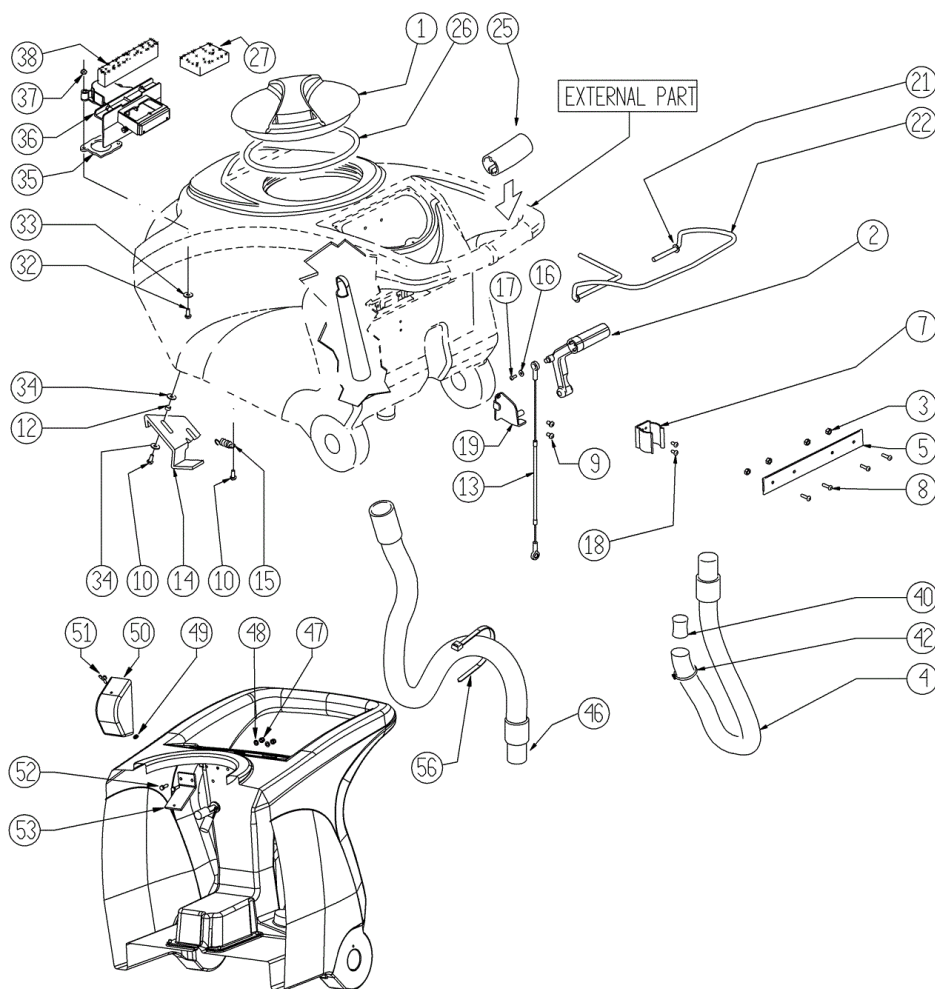
| Ref. | K | Part N. | Customer Part N. | Description | Qty | Validity: | | Price |
|------|---|-----------|------------------|---------------------------------|------|-----------|---------|-------|
| | | | | | | From | To | |
| 0001 | | LAFN06391 | | BUSHING PARALLELOGRAMMA | 6,00 | | | -- |
| 0002 | | VTVT24212 | | SCREW TE M 12X100 UNI 5737 INOX | 1,00 | | | -- |
| 0003 | | LAFN04190 | | BUSHING PARALLELOGR.TEST.GR. | 2,00 | | | -- |
| 0004 | | LAFN07593 | | BRACKET LIFTING BRUSH HEAD | 1,00 | | | -- |
| 0005 | | LAFN07602 | | LEVER - | 1,00 | | 06/2013 | -- |
| 0005 | | LAFN09270 | | PEDALE - | 1,00 | 07/2013 | | -- |
| 0006 | | RCDS34717 | | BUSHING D. 9X12X 8.3 | 2,00 | | | -- |
| 0007 | | MPVR04734 | | BLOCK TERGI | 1,00 | | | -- |
| 0008 | | LAFN09006 | | PIN - | 1,00 | | | -- |
| 0009 | | LAFN51068 | #8479.90.9498 | BUSHING LEVA POSTER. | 1,00 | | | -- |
| 0010 | | VTRS13946 | | WASHER D. 8 X24 INX UNI 6593 | 6,00 | | | -- |
| 0011 | | VTVT00161 | | SCREW TE M6X20 | 1,00 | | | -- |
| 0012 | | LAFN10124 | | PLATE - | 1,00 | | | -- |
| 0013 | | VTDD01695 | | NUT M 8 INX | 8,00 | | | -- |
| 0014 | | LAFN07606 | | BASE - | 1,00 | | | -- |
| 0015 | | RTRT00395 | | WHEEL CASTOR D.80X25 PU | 1,00 | 08/2012 | | -- |
| 0015 | | RTRT00518 | | WHEEL CASTOR D.80X30 | 1,00 | | 08/2012 | -- |
| 0016 | | LAFN05853 | | LEVER ARM SOLLEVAMENTO TERGI | 2,00 | | | -- |
| 0017 | | MLML34726 | | SPRING TR E350 N | 1,00 | | | -- |
| 0018 | | VTDD15521 | | NUT M 8 INX A2 UNI 5588 | 2,00 | | | -- |
| 0019 | | LAFN03840 | | BUSHING | 1,00 | | | -- |
| 0020 | | VTVT15917 | | SCREW TE M 8X50 INOX A2 UNI | 1,00 | | | -- |
| 0021 | | VTVT15907 | | SCREW TE 8X25 UNI5739 INX | 3,00 | | | -- |
| 0023 | | VTRS00274 | | WASHER NYLON 66 D.8,4-17-2 UNI | 1,00 | | | -- |
| 0026 | | MLML00303 | | SPRING REGISTRAZIONE FLAP | 1,00 | | | -- |
| 0027 | | LAFN07563 | | ARM - | 1,00 | | | -- |
| 0028 | | LAFN06389 | | ARM PARALLELOGRAMMA | 1,00 | | | -- |
| 0029 | | MPVR75799 | | FOOT 20x9 M 6x18 | 1,00 | | | -- |
| 0030 | | VTVR00215 | | CARRYNG BAG | 1,00 | | | -- |
| 0031 | | VTVT00410 | | SCREW TE M8x35 UNI5739 INOX | 1,00 | | | -- |
| 0032 | | LAFN07560 | | PLATE - | 1,00 | | | -- |
| 0033 | | MPVR05186 | | COVER - | 1,00 | | | -- |
| 0035 | | VTDD00176 | | NUT M.12 INOX A2 BASSO AUTOB. | 1,00 | | | -- |
| 0037 | | VTRS13947 | | WASHER D. 8 INX UNI 6592 | 4,00 | | | -- |
| 0038 | | VTVT00429 | | SCREW TE M 8X 40 INX UNI 5737 | 1,00 | | | -- |
| 0040 | | VTDD01694 | | NUT M6 INOX | 5,00 | | | -- |
| 0041 | | VTRS00245 | | WASHER D.6 UNI 6592 INOX | 1,00 | | | -- |
| 0043 | | VTVT01683 | | SCREW TE 6X40 | 4,00 | | | -- |
| 0045 | | VTVT01684 | | SCREW TE 6X45 | 1,00 | | | -- |



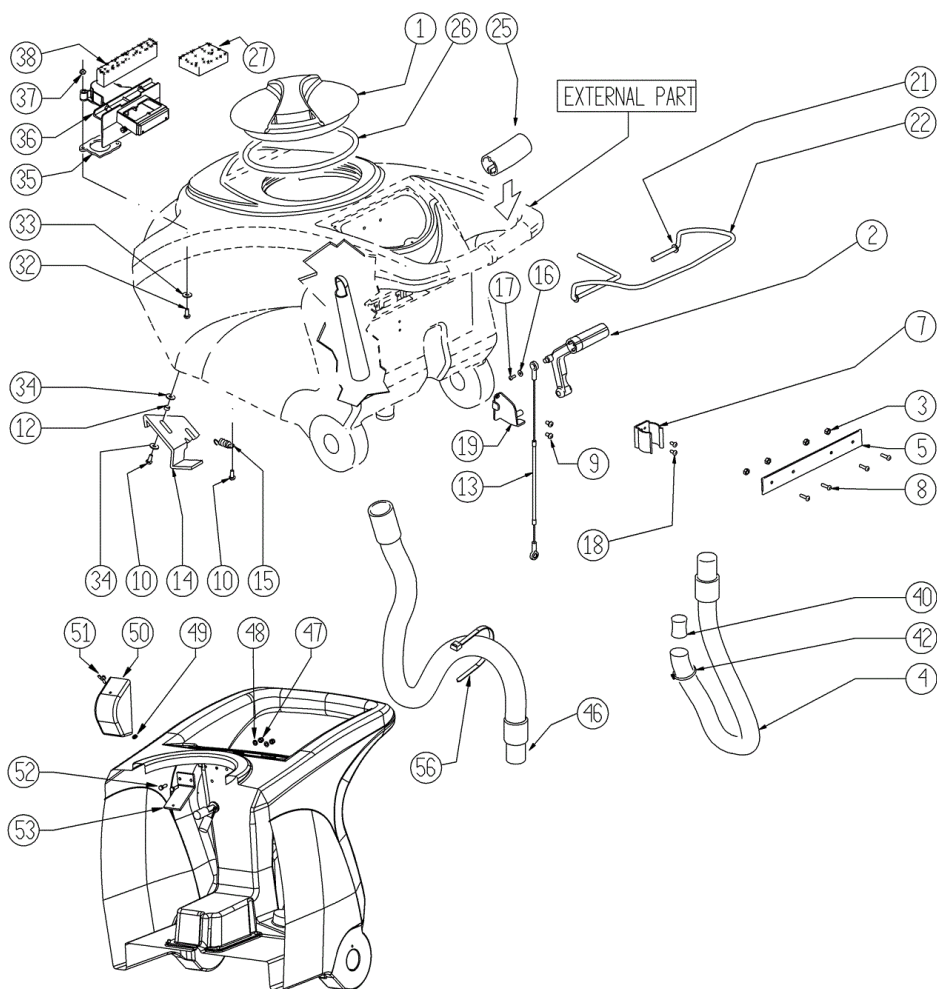
| Ref. K | Part N. | Customer Part N. | Description | Qty | Validity: | | Price |
|--------|-----------|------------------|-------------------------------|------|-----------|----|-------|
| | | | | | From | To | |
| 0046 | LAFN06898 | | SPACER 6-8 h15 | 1,00 | | | -- |
| 0047 | VTVT13937 | | SCREW TE M 8X 30 INX UNI 5739 | 2,00 | | | -- |
| 0048 | LAFN08999 | | BRACKET - | 1,00 | | | -- |
| 0049 | VTVT13938 | | SCREW TE 8X20 UNI5739 INX | 1,00 | | | -- |
| 0050 | VTRS13945 | | WASHER D. 6X18 INX UNI 6593 | 1,00 | | | -- |
| 0076 | VTVT00224 | | SCREW | 1,00 | | | -- |
| 0077 | LAFN06860 | | BRACKET CT70 | 1,00 | | | -- |
| 0078 | VTDD01695 | | NUT M 8 INX | 1,00 | | | -- |
| 0079 | VTRS15146 | | WASHER D. 8 INX GRW UNI 1751 | 1,00 | 03/2013 | | -- |



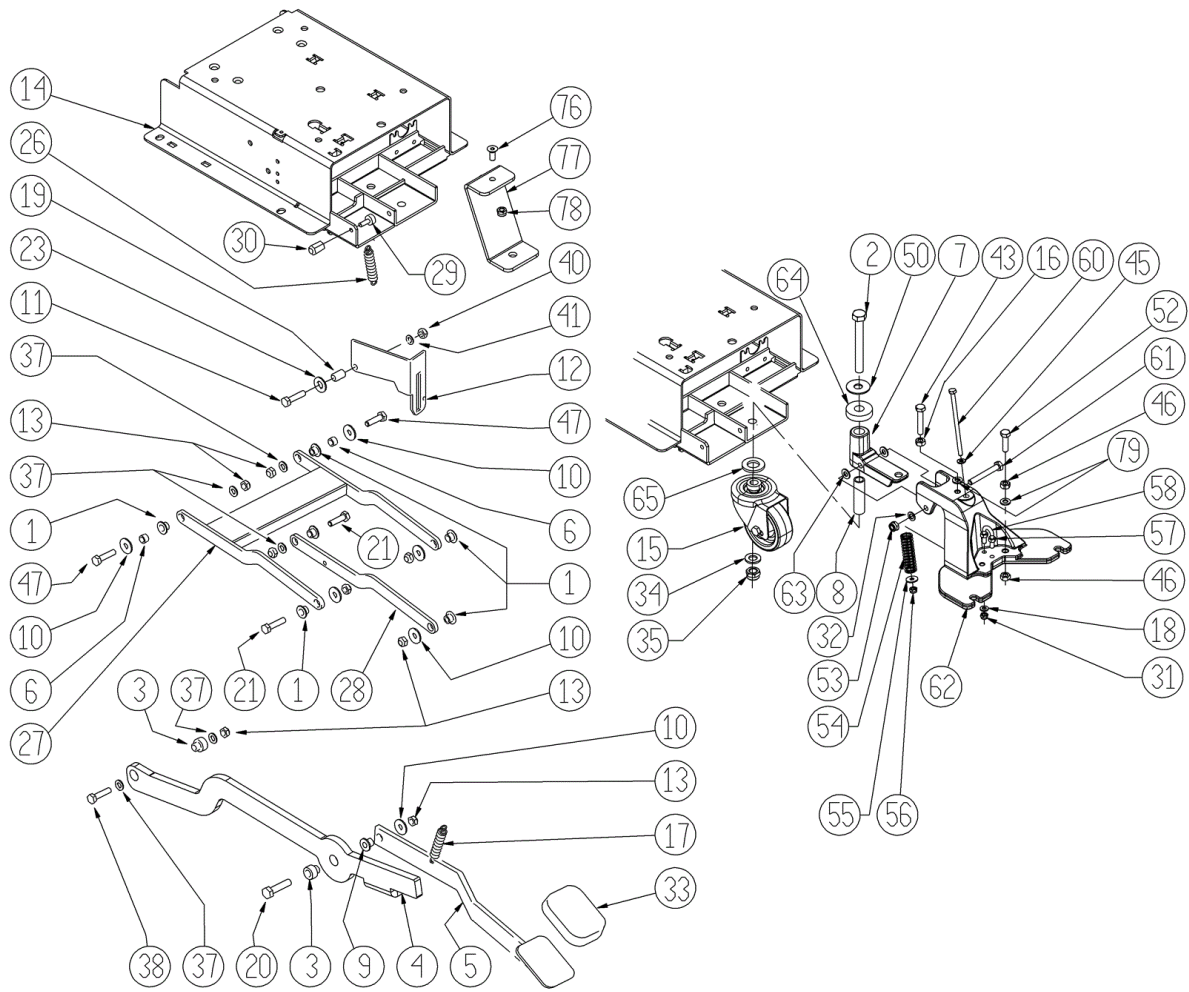
| Ref. | K | Part N. | Customer Part N. | Description | Qty | Validity: | | Price |
|------|---|-----------|------------------|------------------------------|------|-----------|---------|-------|
| | | | | | | From | To | |
| 0001 | | LAFN09302 | | CLOSURE - | 2,00 | 09/2013 | | -- |
| 0002 | | MPVR49229 | | BUSHING SHK | 2,00 | | | -- |
| 0003 | | MPVR05290 | | ROLLER PARACOLPI | 2,00 | | | -- |
| 0004 | | GUGO00164 | | GASKET | 2,00 | | | -- |
| 0005 | | LAFN04100 | | SPACER PER RUOTINO PARACOLPI | 2,00 | | | -- |
| 0006 | | MPVR06003 | | KNOB AISI 304 | 2,00 | | 03/2013 | -- |
| 0006 | | MPVR06004 | | KNOB AISI 304 | 2,00 | 03/2013 | | -- |
| 0008 | | VTRS00245 | | WASHER D.6 UNI 6592 INOX | 2,00 | | | -- |
| 0009 | | LAFN09014 | | PLATE - | 1,00 | | | -- |
| 0010 | | GUVR00303 | | GASKET - | 1,00 | | | -- |
| 0011 | | GUVR00302 | | GASKET - | 1,00 | | | -- |
| 0012 | | LAFN09301 | | SOCKET - | 2,00 | 09/2013 | | -- |
| 0014 | | LAFN08952 | | BRACKET - | 1,00 | | 09/2013 | -- |
| 0014 | | LAFN09284 | | SHEET METAL PA.- | 1,00 | 09/2013 | | -- |
| 0015 | | LAFN08953 | | BRACKET - | 1,00 | | 09/2013 | -- |
| 0015 | | LAFN09285 | | SHEET METAL PA.- | 1,00 | 09/2013 | | -- |
| 0016 | | MPVR05804 | | RUBBER FRONT SQUEEGEE L PU | 1,00 | | | -- |
| 0017 | | VTRS16937 | | WASHER 6x24 INOX UNI 6593 | 2,00 | | | -- |
| 0018 | | KTRI02049 | | BODY SQUEEGEE PRESSOFUSO "L" | 1,00 | | | -- |
| 0019 | | VTVT00841 | | SCREW TE M 6X65 UNI 5739 INX | 2,00 | | | -- |
| 0020 | | VTVT15515 | | SCREW TE M 6X 50 INOX A2 | 2,00 | | | -- |
| 0021 | | MPVR05898 | | CLOSURE L | 2,00 | | | -- |
| 0022 | | MPVR05806 | | RUBBER REAR SQUEEGEE L PU | 1,00 | | | -- |
| 0023 | | LAFN08954 | | BRACKET - | 1,00 | | 09/2013 | -- |
| 0023 | | LAFN09286 | | SHEET METAL PA.- | 1,00 | 09/2013 | | -- |
| 0024 | | LAFN08955 | | BRACKET - | 1,00 | | 09/2013 | -- |
| 0024 | | LAFN09287 | | SHEET METAL PA.- | 1,00 | 09/2013 | | -- |
| 0025 | | LAFN09015 | | PLATE - | 1,00 | | | -- |
| 0026 | | VTVR00565 | | INSERT | 2,00 | | | -- |
| 0027 | | VTDD00210 | | NUT M 3 INOX | 8,00 | 09/2013 | | -- |
| 0028 | | VTVT01070 | | SCREW TSTC M3X8 | 8,00 | 09/2013 | | -- |



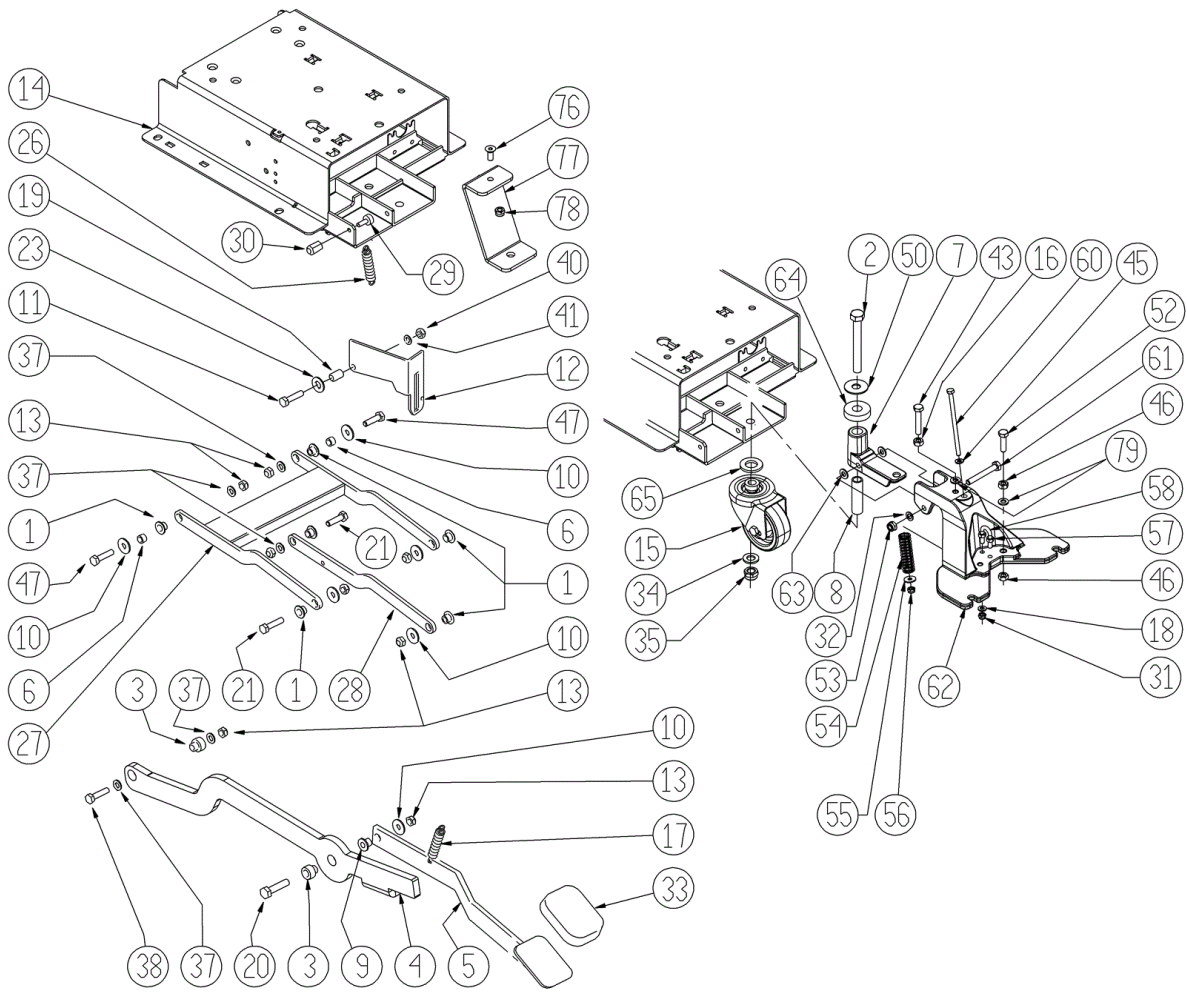
| Ref. K | Part N. | Customer Part N. | Description | Qty | Validity: | | Price |
|--------|-----------|------------------|---------------------------------|------|-----------|----|-------|
| | | | | | From | To | |
| 0001 | MPVR04051 | | TANK CAP | 1,00 | | | -- |
| 0002 | MPVR49942 | | LEVER SHK PP | 1,00 | | | -- |
| 0003 | VTDD15518 | | NUT M 6 INX | 4,00 | | | -- |
| 0004 | TBFX00358 | | TUBE PU CT40/70/90 | 1,00 | | | -- |
| 0005 | LAFN05865 | | PLATE COPRILEVA CONSENSO | 1,00 | | | -- |
| 0007 | MPVR46988 | | CLIP LAV. SHK | 1,00 | | | -- |
| 0008 | VTVT00651 | | SCREW TBEI M. 5x16 INOX | 4,00 | | | -- |
| 0009 | VTVT15906 | | SCREW TE 6X 12 A2 UNI 5739 | 2,00 | | | -- |
| 0010 | VTVT15143 | | SCREW TE 6X16 UNI5739 | 3,00 | | | -- |
| 0012 | LAFN03626 | | SPACER | 2,00 | | | -- |
| 0013 | CMCV00464 | | CABLE SOLLEVAMENTO TERGI | 1,00 | | | -- |
| 0014 | LAFN06849 | | HANDLE CT 70 | 1,00 | | | -- |
| 0015 | MLML00203 | | SPRING | 1,00 | | | -- |
| 0016 | VTRS00251 | | WASHER 4-16 INOX A2 | 1,00 | | | -- |
| 0017 | VTVT00800 | | SCREW TC 4X12 ZN | 1,00 | | | -- |
| 0018 | VTVT21096 | | SCREW TE M 4X 10 INX | 2,00 | | | -- |
| 0019 | LAFN05870 | | BRACKET LEVA SOLLEVAM. SQUEEGEE | 1,00 | | | -- |
| 0021 | VTRS13947 | | WASHER D. 8 INX UNI 6592 | 2,00 | | | -- |
| 0022 | LAFN05861 | | LEVER CONSENSO SPAZZOLE | 1,00 | | | -- |
| 0025 | MPVR05215 | | KNOB - | 2,00 | | | -- |
| 0026 | GUGO00263 | | GASKET CIRCOLARE TAPPO | 1,00 | | | -- |
| 0027 | FTDP00133 | | FILTER | 1,00 | | | -- |
| 0032 | VTVT01139 | | SCREW TE M.4-25 | 2,00 | | | -- |
| 0033 | VTRS00515 | | WASHER D. 4 INX | 2,00 | | | -- |
| 0034 | VTRS00274 | | WASHER NYLON 66 D.8,4-17-2 UNI | 4,00 | | | -- |
| 0035 | GUGO00417 | | GASKET SCATOLA ASPIRAZIONE | 1,00 | | | -- |
| 0036 | MPVR05482 | | BOX - | 1,00 | | | -- |
| 0037 | VTDD15925 | | NUT M 4 INX | 2,00 | | | -- |
| 0038 | GUGO00418 | | GASKET CONDOTTO ASPIRAZIONE | 1,00 | | | -- |
| 0040 | GUGO00245 | | GASKET | 1,00 | | | -- |
| 0042 | FSVR43136 | | CLAMP D. 35-40 DF. | 1,00 | | | -- |
| 0046 | TBFX00353 | | TUBE PU CT70-CT90 | 1,00 | | | -- |
| 0047 | VTDD01693 | | NUT M 5 INX | 2,00 | | | -- |
| 0048 | VTRS00516 | | WASHER D. 5 INX | 2,00 | | | -- |
| 0049 | VTVR01038 | | WASHER - | 1,00 | | | -- |
| 0050 | MPVR05596 | | PROTECTION - | 1,00 | | | -- |
| 0051 | VTVT01150 | | SCREW 4x10 | 1,00 | | | -- |
| 0052 | VTVT07725 | | SCREW TE 5X16 UNI5739 INX | 2,00 | | | -- |
| 0053 | LAFN07631 | | BRACKET - | 1,00 | | | -- |



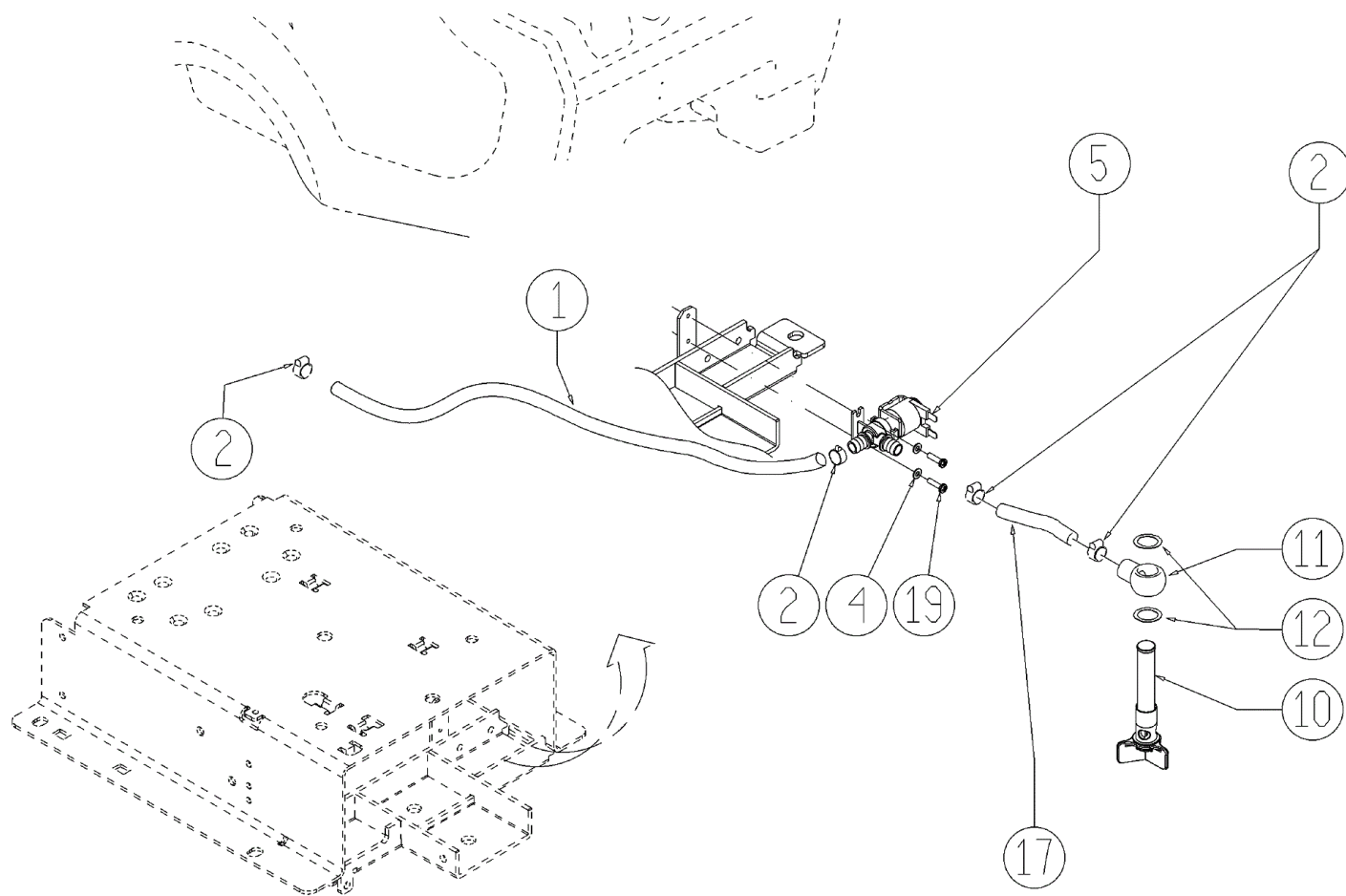
| Ref. K | Part N. | Customer Part N. | Description | Qty | Validity: | | Price |
|--------|-----------|------------------|-------------|------|-----------|----|-------|
| | | | | | From | To | |
| 0056 | FSVR00248 | | CLAMP - | 1,00 | | | -- |



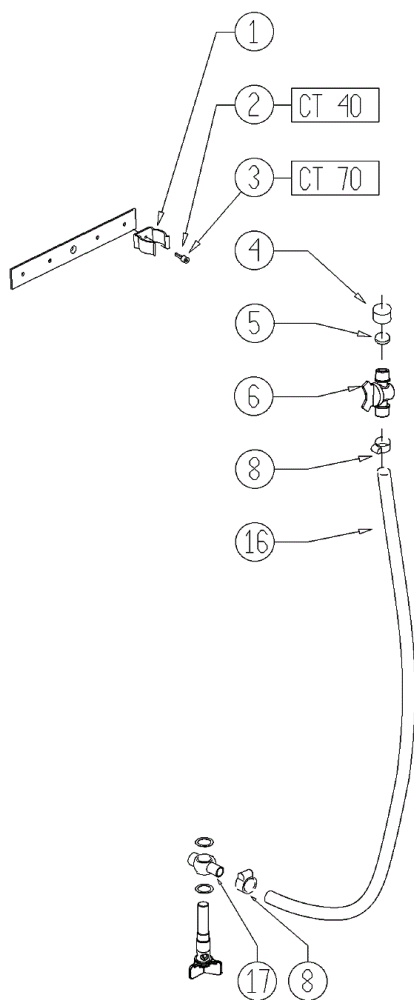
| Ref. | K | Part N. | Customer Part N. | Description | Qty | Validity: From To | Price |
|------|---|-----------|------------------|--------------------------------|------|----------------------|-------|
| 0001 | | LAFN06391 | | BUSHING PARALLELOGRAMMA | 6,00 | | -- |
| 0002 | | VTVT00285 | | SCREW TE M12X110 | 1,00 | | -- |
| 0003 | | LAFN04190 | | BUSHING PARALLELOGR.TEST.GR. | 2,00 | | -- |
| 0004 | | LAFN07593 | | BRACKET LIFTING BRUSH HEAD | 1,00 | | -- |
| 0005 | | LAFN09270 | | PEDALE - | 1,00 | | -- |
| 0006 | | RCDS34717 | | BUSHING D. 9X12X 8.3 | 2,00 | | -- |
| 0007 | | MFVR00226 | | SUPPORT SQUEEGEE | 1,00 | | -- |
| 0008 | | LAFN09006 | | PIN - | 1,00 | | -- |
| 0009 | | LAFN51068 | #8479.90.9498 | BUSHING LEVA POSTER. | 1,00 | | -- |
| 0010 | | VTRS13946 | | WASHER D. 8 X24 INX UNI 6593 | 6,00 | | -- |
| 0011 | | VTVT00161 | | SCREW TE M6X20 | 1,00 | | -- |
| 0012 | | LAFN10124 | | PLATE | 1,00 | | -- |
| 0013 | | VTDD01695 | | NUT M 8 INX | 8,00 | | -- |
| 0014 | | LAFN07606 | | BASE - | 1,00 | | -- |
| 0015 | | RTRT00395 | | WHEEL CASTOR D.80X25 PU | 1,00 | | -- |
| 0016 | | VTDD15521 | | NUT M 8 INX A2 UNI 5588 | 1,00 | | -- |
| 0017 | | MLML34726 | | SPRING TR E350 N | 1,00 | | -- |
| 0018 | | VTRS00245 | | WASHER D.6 UNI 6592 INOX | 1,00 | | -- |
| 0019 | | LAFN03840 | | BUSHING | 1,00 | | -- |
| 0020 | | VTVT15917 | | SCREW TE M 8X50 INOX A2 UNI | 1,00 | | -- |
| 0021 | | VTVT15907 | | SCREW TE 8X25 UNI5739 INX | 3,00 | | -- |
| 0023 | | VTRS00274 | | WASHER NYLON 66 D.8.4-17-2 UNI | 1,00 | | -- |
| 0026 | | MLML00303 | | SPRING REGISTRAZIONE FLAP | 1,00 | | -- |
| 0027 | | LAFN07563 | | ARM - | 1,00 | | -- |
| 0028 | | LAFN06389 | | ARM PARALLELOGRAMMA | 1,00 | | -- |
| 0029 | | MPVR75799 | | FOOT 20x9 M 6x18 | 1,00 | | -- |
| 0030 | | VTVR00215 | | CARRYNG BAG | 1,00 | | -- |
| 0031 | | VTDD01694 | | NUT M6 INOX | 1,00 | | -- |
| 0032 | | VTRS13947 | | WASHER D. 8 INX UNI 6592 | 1,00 | | -- |
| 0033 | | MPVR05186 | | COVER - | 1,00 | | -- |
| 0034 | | VTRS15978 | | WASHER D.12X24 UNI 6592 INX | 1,00 | | -- |
| 0035 | | VTDD00176 | | NUT M.12 INOX A2 BASSO AUTOB. | 1,00 | | -- |
| 0037 | | VTRS13947 | | WASHER D. 8 INX UNI 6592 | 4,00 | | -- |
| 0038 | | VTVT00429 | | SCREW TE M 8X 40 INX UNI 5737 | 1,00 | | -- |
| 0040 | | VTDD01694 | | NUT M6 INOX | 5,00 | | -- |
| 0041 | | VTRS00245 | | WASHER D.6 UNI 6592 INOX | 1,00 | | -- |
| 0043 | | VTVT15371 | | SCREW TE M 8X45 INOX A2 UNI | 1,00 | | -- |
| 0045 | | VTRS00245 | | WASHER D.6 UNI 6592 INOX | 1,00 | | -- |
| 0046 | | VTDD15521 | | NUT M 8 INX A2 UNI 5588 | 1,00 | | -- |



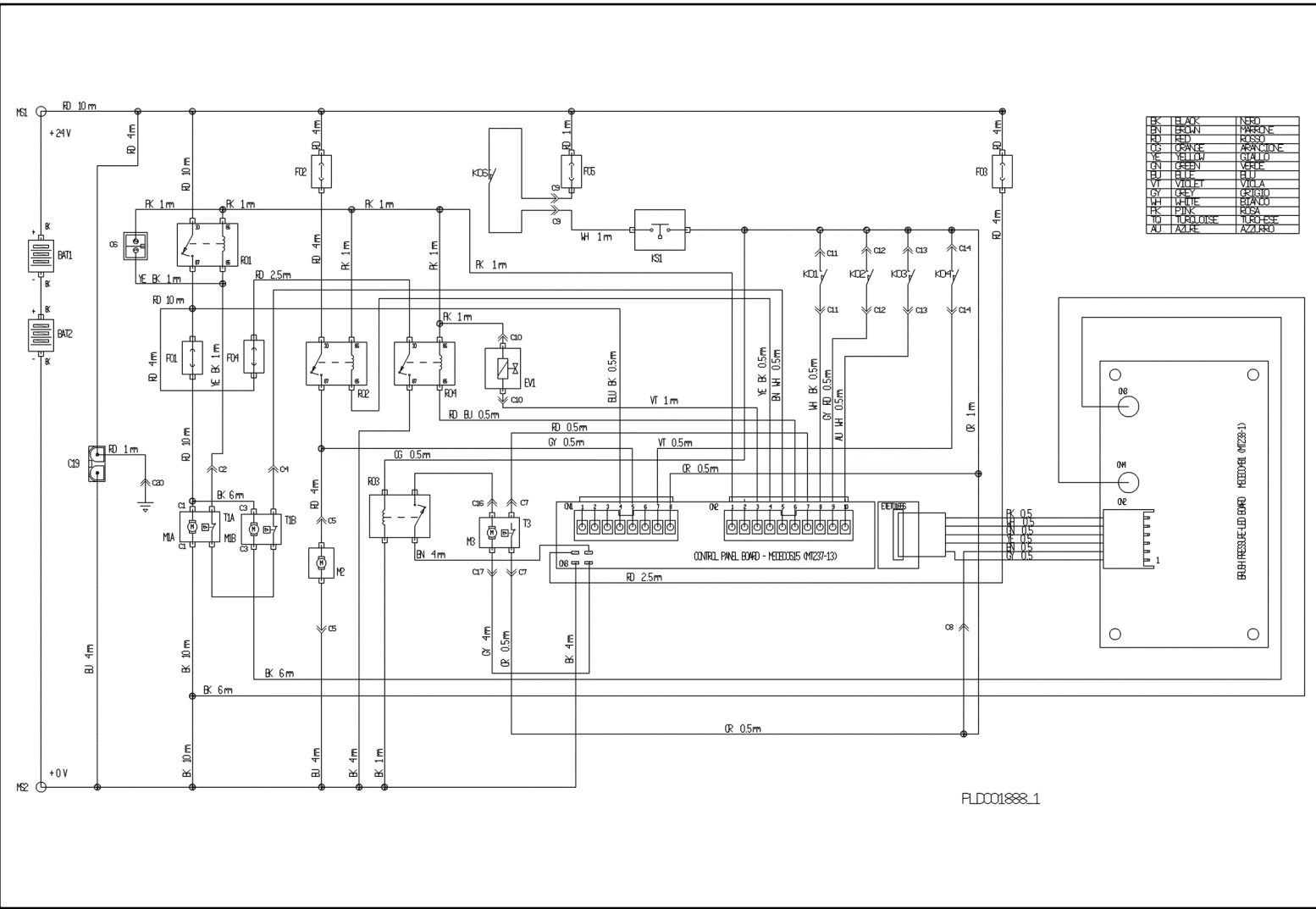
| Ref. | K | Part N. | Customer Part N. | Description | Qty | Validity: | | Price |
|------|---|-----------|------------------|--------------------------------|------|-----------|----|-------|
| | | | | | | From | To | |
| 0047 | | VTVT13937 | | SCREW TE M 8X 30 INX UNI 5739 | 2,00 | | | -- |
| 0050 | | VTRS09142 | | WASHER D.12 X 36 | 1,00 | | | -- |
| 0052 | | VTVT13937 | | SCREW TE M 8X 30 INX UNI 5739 | 1,00 | | | -- |
| 0053 | | VTDD01695 | | NUT M 8 INX | 1,00 | | | -- |
| 0054 | | MLML00338 | | SPRING - | 1,00 | | | -- |
| 0055 | | VTRS13945 | | WASHER D. 6X18 INX UNI 6593 | 1,00 | | | -- |
| 0056 | | VTDD01694 | | NUT M6 INOX | 1,00 | | | -- |
| 0057 | | VTDD00053 | | NUT M6 INOX UNI5589 | 2,00 | | | -- |
| 0058 | | LAFN09231 | | BRACKET M6X11X29 | 1,00 | | | -- |
| 0060 | | VTVT01008 | | SCREW 6X110 | 1,00 | | | -- |
| 0061 | | VTVT01009 | | SCREW 8X60 | 1,00 | | | -- |
| 0062 | | MFVR00227 | | SUPPORT SQUEEGEE | 1,00 | | | -- |
| 0063 | | VTRS00274 | | WASHER NYLON 66 D.8,4-17-2 UNI | 1,00 | | | -- |
| 0064 | | MPVR06069 | | WASHER 15X40 | 1,00 | | | -- |
| 0065 | | VTRS09142 | | WASHER D.12 X 36 | 1,00 | | | -- |
| 0076 | | VTVT00224 | | SCREW | 1,00 | | | -- |
| 0077 | | LAFN06860 | | BRACKET CT70 | 1,00 | | | -- |
| 0078 | | VTDD01695 | | NUT M 8 INX | 1,00 | | | -- |
| 0079 | | VTRS15146 | | WASHER D. 8 INX GRW UNI 1751 | 1,00 | | | -- |



| Ref. | K | Part N. | Customer Part N. | Description | Qty | Validity: | | Price |
|------|---|-----------|------------------|-----------------------------------|------|-----------|---------|-------|
| | | | | | | From | To | |
| 0001 | | TBFX48011 | | TUBE FLEX D.12X3 ARMORV.PVC TR | 0,71 | | | -- |
| 0002 | | FSVR00428 | | CLAMP D. 12-20 | 4,00 | | | -- |
| 0004 | | VTRS00515 | | WASHER D. 4 INX | 2,00 | | | -- |
| 0005 | | MEEV00036 | | SOLENOID VALVE HOLE 8mm CLEANTIME | 1,00 | | | -- |
| 0010 | | MPVR05221 | | FILTER COMPLETO | 1,00 | | 02/2013 | -- |
| 0010 | | MPVR06303 | | FILTER CT40-70-90 | 1,00 | 02/2013 | | -- |
| 0011 | | LAFN07783 | | CONNECTOR - | 1,00 | | | -- |
| 0012 | | VTRS00567 | | WASHER 1/2 | 2,00 | | | -- |
| 0017 | | TBFX48011 | | TUBE FLEX D.12X3 ARMORV.PVC TR | 0,17 | | | -- |
| 0019 | | VTVT01158 | | SCREW M4x16 | 2,00 | | | -- |



| Ref. | K | Part N. | Customer Part N. | Description | Qty | Validity: | | Price |
|------|---|-----------|------------------|--------------------------|------|-----------|----|-------|
| | | | | | | From | To | |
| 0001 | | MPVR05280 | | CLIP M25 | 1,00 | | | -- |
| 0002 | | VTVT19236 | | SCREW TCEI 5X20 UNI 5931 | 1,00 | | | -- |
| 0003 | | VTVT01327 | | SCREW TCEI 5X25 UNI5931 | 1,00 | | | -- |
| 0004 | | RCVR00353 | | CAP 1/2"G X ELETTR. ACL | 1,00 | | | -- |
| 0005 | | GUGO00268 | | GASKET D.21 SP.3 GOMMA | 1,00 | | | -- |
| 0006 | | RCVR00590 | | CONNECTOR 1/2 M RESCA 15 | 1,00 | | | -- |
| 0008 | | FSVR00428 | | CLAMP D. 12-20 | 4,00 | | | -- |
| 0016 | | TBBP00435 | | TUBE D.16 | 1,00 | | | -- |
| 0017 | | RCVR00767 | | CONNECTOR - | 1,00 | | | -- |



PLD0018888_1

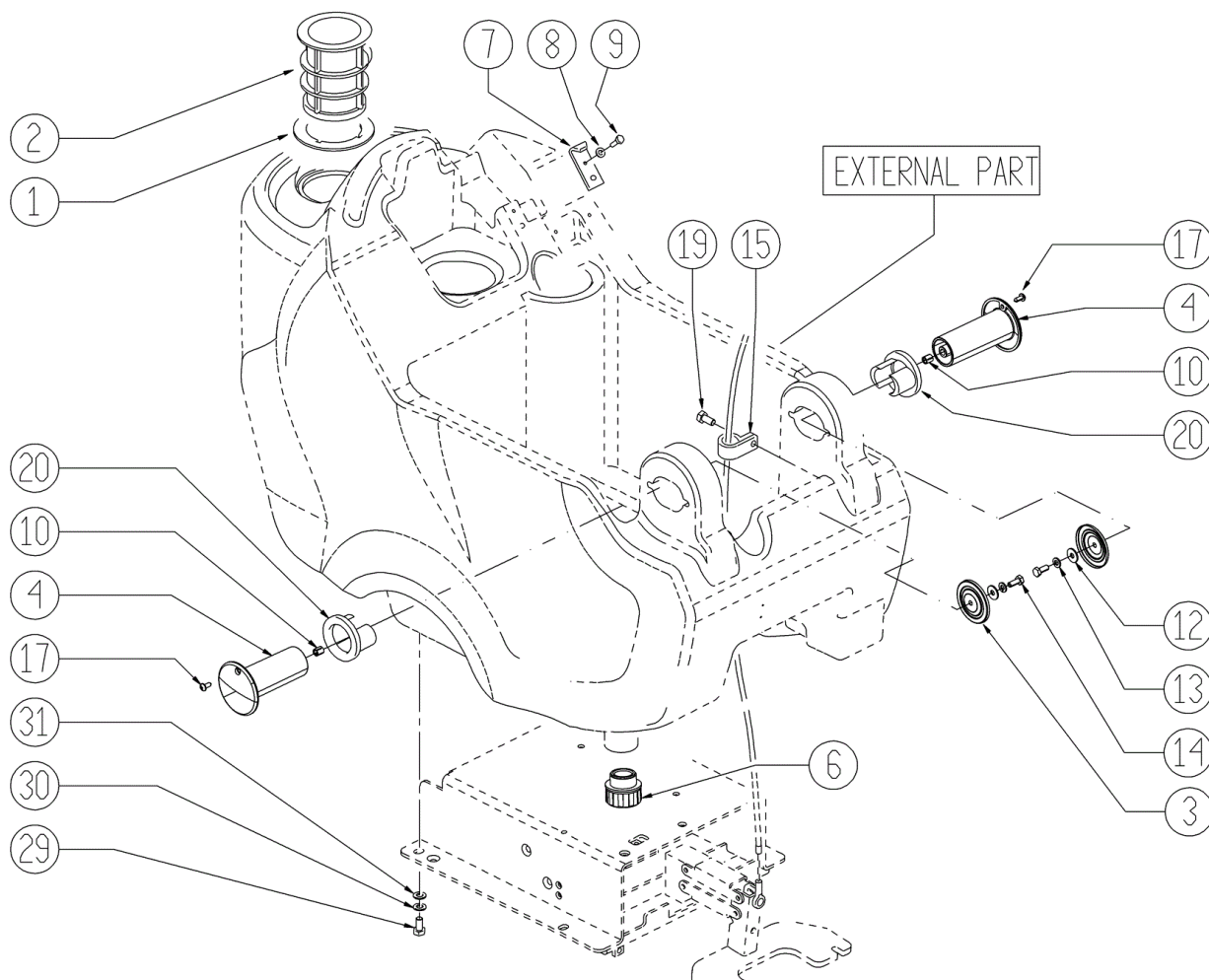
| Ref. K | Part N. | Customer Part N. | Description | Qty | Validity: | | Price |
|--------|-----------|------------------|-----------------------------------|------|-----------|----|-------|
| | | | | | From | To | |
| EV1 | MEEV00036 | | SOLENOID VALVE HOLE 8mm CLEANTIME | 1,00 | | | -- |
| F01 | MEVR02061 | | FUSE 80A | 1,00 | | | -- |
| F02 | MEVR02060 | | FUSE 40A | 1,00 | | | -- |
| F03 | MEVR02061 | | FUSE 80A | 1,00 | | | -- |
| F04 | MEVR02060 | | FUSE 40A | 1,00 | | | -- |
| F05 | MEVR01428 | | FUSE A LAMA 2 A. UNIVAL | 1,00 | | | -- |

| COMPONENTS | | |
|------------|-----------------------------------|-------------------------------------|
| F01 | FUSE- BRUSH MOTORS (80 A) | FUSIBILE SPAZZOLE POTENZA (80 A) |
| F02 | FUSE-VACUUM MOTOR (40 A) | FUSIBILE ASPIRATORE POTENZA (40 A) |
| F03 | FUSE-TRACTION MOTORS (80 A) | FUSIBILE MOTORE TRAZIONE (80 A) |
| F04 | FUSE-BRUSHES RELEASE (40 A) | FUSIBILE SGANCIO SPAZZOLE (40 A) |
| F05 | FUSE-CONTROL PANEL (2 A) | FUSIBILE PLACIA (2 A) |
| R01 | RELAY- BRUSH MOTORS | TELERITTORE SPAZZOLE |
| R02 | RELAY- VACUUM MOTOR | RELE' ASPIRATORE |
| R03 | RELAY- TRACTION MOTOR | RELE' MOTORE TRAZIONE |
| R04 | RELAY- BRUSH RELEASE | RELE' SGANCIO SPAZZOLE |
| EVI | ELECTRO-VALVE | ELETTROVALVOLA ACQUA |
| KSI | GENERAL KEY | CHIAVE AVVIAMENTO |
| K01 | SWITCH- HAND LEVER | INTERRUTTORE LEVA TRAZIONE |
| K02 | SWITCH- RECOVERY TANK LEVEL (MAX) | LIVELLO TROPPO PIENO (N.O.) |
| K03 | SWITCH- SOLUTION TANK LEVEL (MIN) | LIVELLO MINIMO SERBATOIO (N.O.) |
| K04 | SWITCH- FORWARD / REWARD | INTERRUTTORE MARCIA AVANTI INDIETRO |
| K06 | SWITCH- BATTERY RECHARGE SAFETY | MICRO SICUREZZA RICARICA BATTERIE |
| M1A | MOTOR- BRUSH 1 | MOTORE SPAZZOLA -1 |
| M1B | MOTOR- BRUSH 2 | MOTORE SPAZZOLA -2 |
| M2 | MOTOR- VACUUM | MOTORE ASPIRATORE |
| M3 | MOTOR- TRACTION | MOTORE TRAZIONE |
| T1A | THERMIC SWITCH BRUSH MOTOR 1 | TERMICA MOTORE SPAZZOLA -1 |
| T1B | THERMIC SWITCH BRUSH MOTOR 2 | TERMICA MOTORE SPAZZOLA -2 |
| T3 | THERMIC SWITCH TRACTION MOTOR | TERMICA MOTORE TRAZIONE |

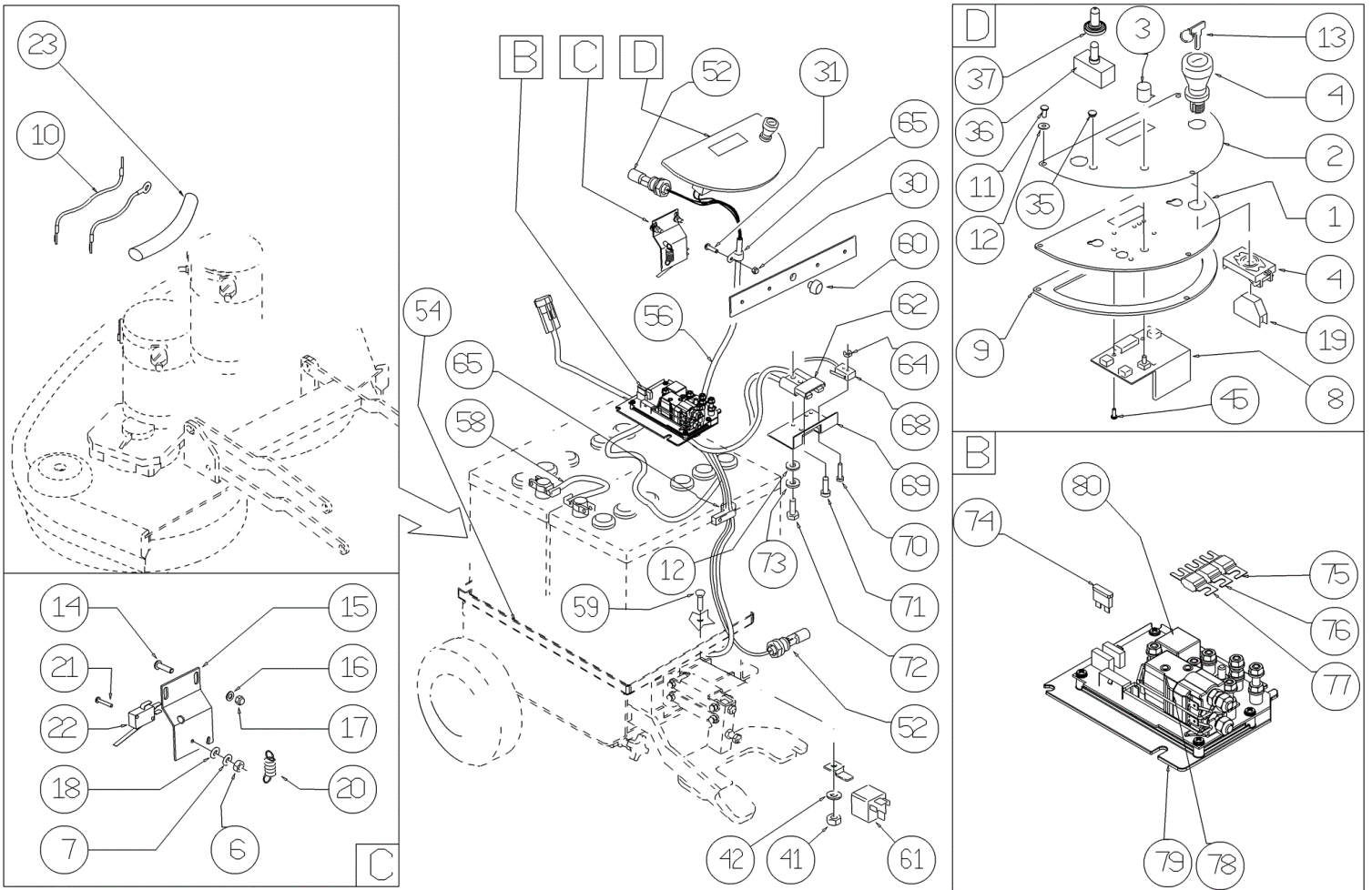
| COMPONENTS | | |
|------------|------------------------------------------|--------------------------------------|
| M61 | CONNECTOR- BATTERY POSITIVE | MORSETTO BATTERIA POSITIVO |
| M62 | CONNECTOR- BATTERY NEGATIVE | MORSETTO BATTERIA NEGATIVO |
| C1 | CONNECTOR- BRUSH MOTOR 1 | CONN. MOTORE SPAZZOLA -1 |
| C2 | CONNECTOR- THERMIC SW. BRUSH MOTOR 1 | CONN. TERMICA MOTORE SPAZZOLA -1 |
| C3 | CONNECTOR- BRUSH MOTOR 2 | CONN. MOTORE SPAZZOLA -2 |
| C4 | CONNECTOR- THERMIC SW. BRUSH MOTOR 2 | CONN. TERMICA MOTORE SPAZZOLA -2 |
| C5 | CONNECTOR- VACUUM MOTOR | CONN. MOTORE ASPIRAZIONE |
| C6 | CONNECTOR- "CHEM DOSE" ACCESSORY | CONN. CHEM-DOSE |
| C7 | CONNECTOR- THERMIC SWITCH-TRACTION MOTOR | CONN. TERMICA MOTORE TRAZIONE |
| C8 | CONNECTOR- PRESSURE BOARD | CONN. POSITIVO SCHEDA PRESSIONE |
| C9 | CONNECTOR- BATTERY RECHARGE SAFETY | CONN. SICUREZZA RICARICA BATTERIE |
| C10 | CONNECTOR- BOARD/ ELECTROVALVE | CONN. E.V. H2O DA SCHEDA ELETTRONICA |
| C11 | CONNECTOR- HAND LEVER | CONN. LEVA TRAZIONE |
| C12 | CONNECTOR- RECOVERY TANK LEVEL (MAX) | CONN. LIVELLO TROPPO PIENO |
| C13 | CONNECTOR- SOLUTION TANK LEVEL (MIN) | CONN. LIVELLO MINIMO |
| C14 | CONNECTOR- FORWARD / REWARD | CONN. SELETTORE MARCIA |
| C15 | CONNECTOR- EXTERNAL BATT. CHARGER | CONN. MICRO C.B. ESTERNO |
| C16 | CONNECTOR- TRACTION MOTOR | CONN. MOTORE TRAZIONE |
| C17 | CONNECTOR- TRACTION MOTOR | CONN. MOTORE TRAZIONE |
| C19 | CONNECTOR- BATTERY RECHARGE | SPINA ANDERSON RICARICA BATTERIE |
| C20 | RING TERMINAL 8 | CAPICORDA CON COCCHIELLO 8 |
| CN1 | CONNECTOR- CONTROL PANEL BOARD | CONN. 1 SCHEDA PLACIA |
| CN2 | CONNECTOR- CONTROL PANEL BOARD | CONN. 2 SCHEDE PLACIA |
| CN3 | CONNECTOR- CONTROL PANEL BOARD | CONN. 3 SCHEDE PLACIA |
| CN4 | CONNECTOR- CONTROL PANEL BOARD | CONN. 4 SCHEDE PLACIA |

FLDC01888.1

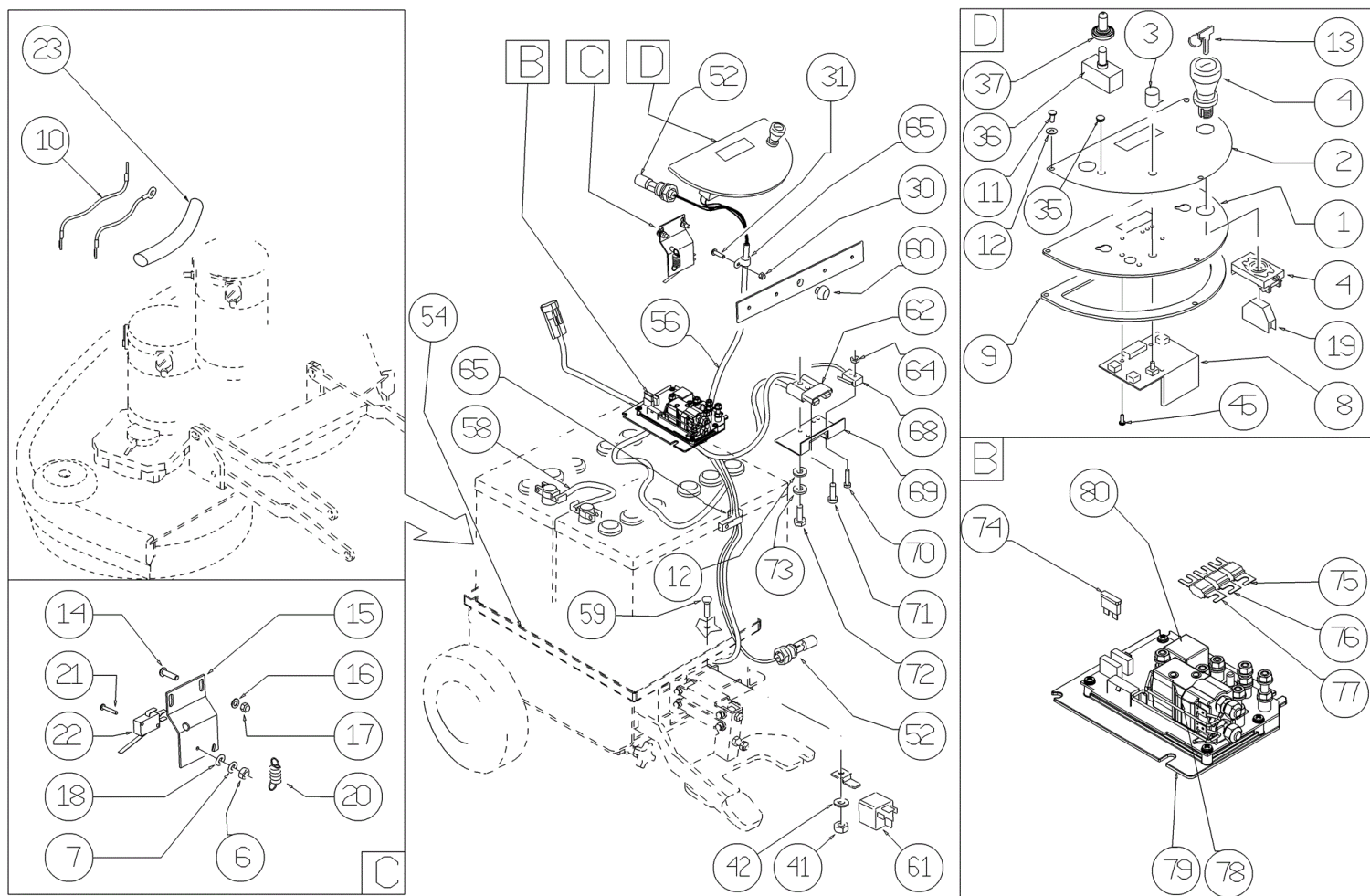
| Ref. | K | Part N. | Customer Part N. | Description | Qty | Validity: | | Price |
|------|---|-----------|------------------|-----------------------------------|------|-----------|----|-------|
| | | | | | | From | To | |
| EV1 | | MEEV00036 | | SOLENOID VALVE HOLE 8mm CLEANTIME | 1,00 | | | -- |
| F01 | | MEVR02061 | | FUSE 80A | 1,00 | | | -- |
| F02 | | MEVR02060 | | FUSE 40A | 1,00 | | | -- |
| F03 | | MEVR02061 | | FUSE 80A | 1,00 | | | -- |
| F04 | | MEVR02060 | | FUSE 40A | 1,00 | | | -- |
| F05 | | MEVR01428 | | FUSE A LAMA 2 A. UNIVAL | 1,00 | | | -- |



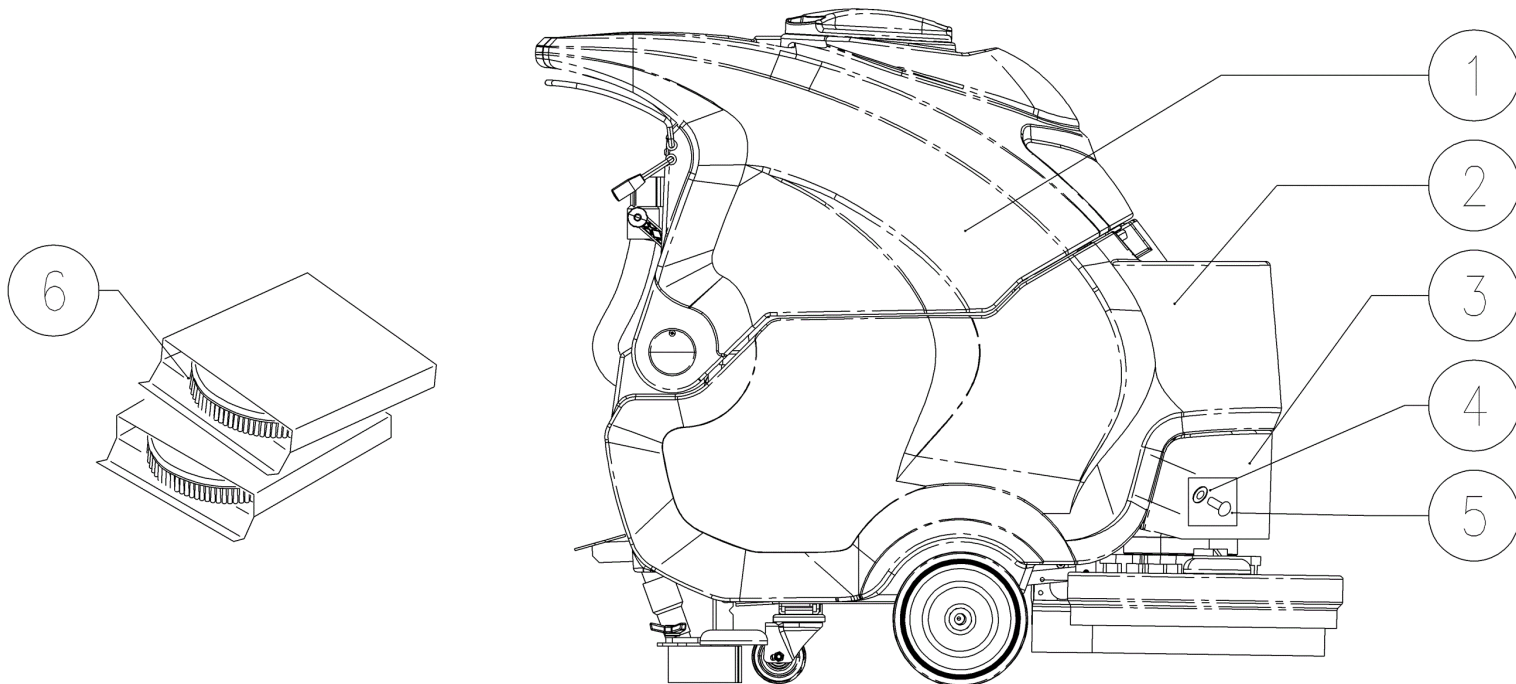
| Ref. K | Part N. | Customer Part N. | Description | Qty | Validity: | | Price |
|--------|-----------|------------------|--------------------------------|------|-----------|----|-------|
| | | | | | From | To | |
| 0001 | GUGO00267 | | GASKET FILTRO | 1,00 | | | -- |
| 0002 | FTAC00040 | | FILTER - | 1,00 | | | -- |
| 0003 | LAFN07800 | | SHEET METAL PA.- | 2,00 | | | -- |
| 0004 | MPVR48695 | | PIN SHK.BK | 2,00 | | | -- |
| 0006 | MPVR08003 | | CAP | 1,00 | | | -- |
| 0007 | LAFN06489 | | PLATE | 1,00 | | | -- |
| 0008 | VTRS15144 | | WASHER D. 6 INX GRW UNI 1751 | 1,00 | | | -- |
| 0009 | VTVT01303 | | SCREW TE M6-10 INOX | 1,00 | | | -- |
| 0010 | VTVR48693 | | INSERT M6 D.9 | 2,00 | | | -- |
| 0012 | VTRS13945 | | WASHER D. 6X18 INX UNI 6593 | 2,00 | | | -- |
| 0013 | VTRS15144 | | WASHER D. 6 INX GRW UNI 1751 | 2,00 | | | -- |
| 0014 | VTVT15143 | | SCREW TE 6X16 UNI5739 | 2,00 | | | -- |
| 0015 | MPVR02933 | | DUCT LOCK D.9,5 | 2,00 | | | -- |
| 0017 | VTVT48694 | | SCREW TCB TC 5 X12 UNI 9707 TZ | 2,00 | | | -- |
| 0019 | VTVT15961 | | SCREW M 5X 16 TCB TC UNI 7687 | 1,00 | | | -- |
| 0020 | PMVR02028 | | RUBBER GRUPPO MONTAGGIO | 2,00 | | | -- |
| 0029 | VTVT15916 | | SCREW TE M 8X 16 UNI 5739 A2 | 4,00 | | | -- |
| 0030 | VTRS00269 | | WASHER D. 8 DIN 6798-A INX A2 | 4,00 | | | -- |
| 0031 | VTRS13947 | | WASHER D. 8 INX UNI 6592 | 4,00 | | | -- |



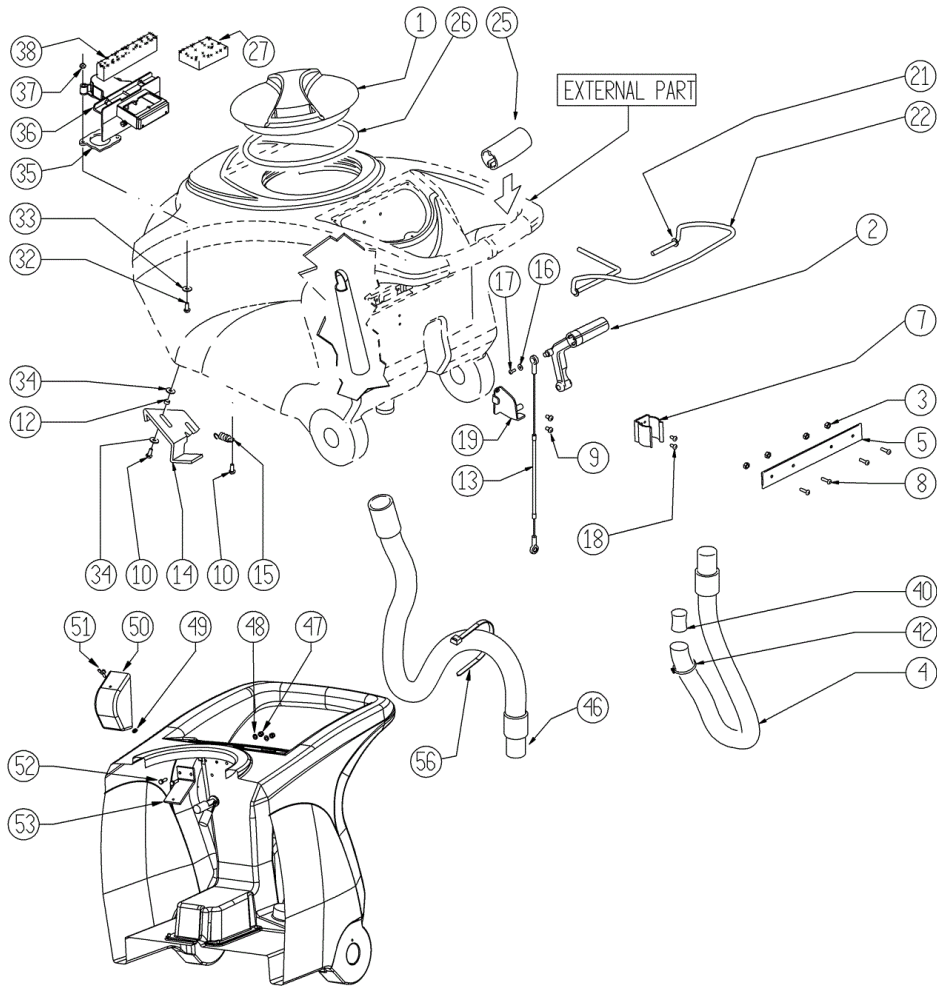
| Ref. | K | Part N. | Customer Part N. | Description | Qty | Validity: | | Price |
|------|---|-----------|------------------|-------------------------------|------|-----------|---------|-------|
| | | | | | | From | To | |
| 0001 | | LAFN08989 | | SUPPORT - | 1,00 | | | -- |
| 0002 | | ETET01717 | | LABEL - | 1,00 | | | -- |
| 0003 | | MEVR01666 | | KNOB POTENTIOMETER | 1,00 | | | -- |
| 0004 | | MECI00402 | | BUTTON A FUNGO | 1,00 | | | -- |
| 0006 | | VTDD21115 | | NUT M 3 INOX | 2,00 | | | -- |
| 0007 | | VTRS00268 | | WASHER D.3 | 2,00 | | | -- |
| 0008 | | MECB01329 | | BOARD BT CT70 H2O - NEW | 1,00 | 04/2013 | | -- |
| 0008 | | MECE00474 | | BOARD CT70 EV | 1,00 | | 04/2013 | -- |
| 0009 | | GUGO38417 | | GASKET PANN.COM.EXTREME | 1,00 | | | -- |
| 0011 | | VTVT37012 | | SCREW M 4X 10 TCB-TC INX | 3,00 | | | -- |
| 0012 | | VTRS00515 | | WASHER D. 4 INX | 9,00 | | | -- |
| 0013 | | CHVR00051 | #8479.90.9498 | DIASS.SPANNERPULSANTE FUNGO | 1,00 | | | -- |
| 0014 | | VTVT07725 | | SCREW TE 5X16 UNI5739 INX | 2,00 | | | -- |
| 0015 | | LAFN05904 | | PLATE MICRO LEVA | 1,00 | | | -- |
| 0016 | | VTRS00516 | | WASHER D. 5 INX | 2,00 | | | -- |
| 0017 | | VTDD01693 | | NUT M 5 INX | 4,00 | | | -- |
| 0018 | | VTRS21116 | | WASHER D. 3 INX | 2,00 | | | -- |
| 0019 | | MECI00403 | | CONTACT - | 1,00 | | | -- |
| 0020 | | MLML34726 | | SPRING TR E350 N | 1,00 | | | -- |
| 0021 | | VTVT01316 | | SCREW TC+ M3-16 | 2,00 | | | -- |
| 0022 | | MECI36393 | | MICROSWITCH TRZ. DRW | 1,00 | | | -- |
| 0030 | | VTDD15925 | | NUT M 4 INX | 4,00 | | | -- |
| 0031 | | VTVT00704 | | SCREW TE M 4X 16 UNI5739 INOX | 6,00 | | | -- |
| 0035 | | RCVR00164 | | CARRYNG BAG | 1,00 | | | -- |
| 0036 | | MECI30499 | | SWITCH 10A - 250VAC | 1,00 | | | -- |
| 0037 | | MEVR01975 | | RUBBER DEVIATORE | 1,00 | | | -- |
| 0041 | | VTDD01694 | | NUT M6 INOX | 1,00 | | | -- |
| 0042 | | VTRS00245 | | WASHER D.6 UNI 6592 INOX | 1,00 | | | -- |
| 0045 | | VTVT00722 | | SCREW | 3,00 | | | -- |
| 0052 | | MECI00516 | | SENSOR DI LIVELLO ORIZZONTALE | 2,00 | | | -- |
| 0054 | | LAFN35588 | | BATTERY SUPPORTLAV. BT | 1,00 | | | -- |
| 0056 | | MECB01302 | | WIRING CT40-70 BT | 1,00 | | 04/2013 | -- |
| 0056 | | MECB01334 | | WIRING CT40-55-70 BT | 1,00 | 04/2013 | | -- |
| 0058 | | MEVR34820 | | WIRING B 450 BT | 1,00 | | | -- |
| 0059 | | VTVT01676 | | SCREW TSTC UNI 7688 M6X16 | 1,00 | | | -- |
| 0060 | | MPVR00043 | | CAP CHIUS.FORO PORTAFUS.L 15 | 1,00 | | | -- |
| 0061 | | MECI00005 | | RELAY 24V 10/20A | 1,00 | | | -- |
| 0062 | | MEVR01707 | | CONNECTOR - | 1,00 | | | -- |
| 0064 | | VTDD08634 | | NUT M2 | 2,00 | | | -- |



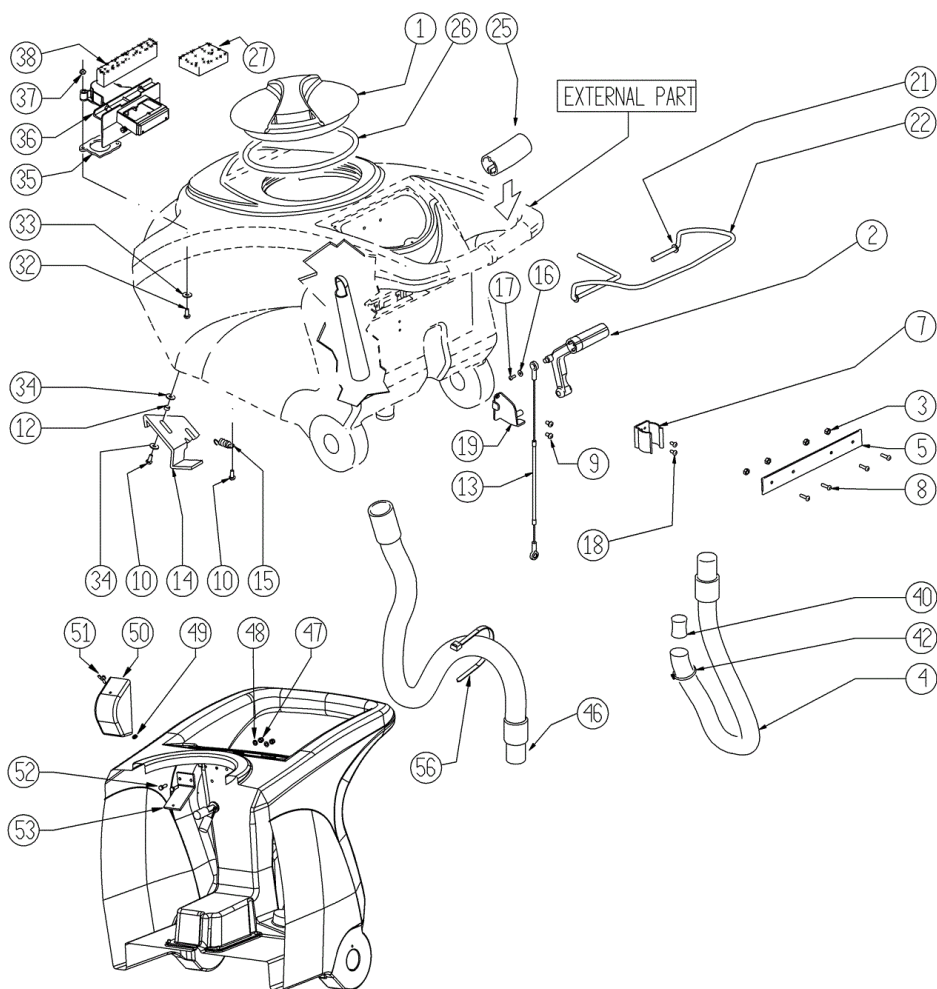
| Ref. | K | Part N. | Customer Part N. | Description | Qty | Validity: | | Price |
|------|---|-----------|------------------|---------------------------------|------|-----------|----|-------|
| | | | | | | From | To | |
| 0065 | | FSVR00099 | | CLAMP FERMATUBO | 2,00 | | | -- |
| 0068 | | MECI00334 | | MICROSWITCH V4 | 1,00 | | | -- |
| 0069 | | LAFN06409 | | SUPPORT - | 1,00 | | | -- |
| 0070 | | VTVT00671 | | SCREW TC- M.2-16 OTTONE | 2,00 | | | -- |
| 0071 | | VTVT00872 | | SCREW TSP+ 2.9X13 AUTOFIL. INOX | 1,00 | | | -- |
| 0072 | | VTVT00814 | | SCREW TE M.4-25 | 2,00 | | | -- |
| 0073 | | VTRS15913 | | WASHER D. 4 GROVER A2 UNI1751 | 2,00 | | | -- |
| 0074 | | MEVR01428 | | FUSE A LAMA 2 A. UNIVAL | 1,00 | | | -- |
| 0075 | | MEVR02060 | | FUSE 40A | 1,00 | | | -- |
| 0076 | | MEVR02060 | | FUSE 40A | 1,00 | | | -- |
| 0077 | | MEVR02061 | | FUSE 80A | 1,00 | | | -- |
| 0078 | | METT00085 | | CONTACTOR 100A | 1,00 | | | -- |
| 0079 | | MECE00574 | | BOARD CT40-70-90 | 1,00 | | | -- |
| 0080 | | MECE00139 | | RELAY POTENZA 24V | 1,00 | | | -- |



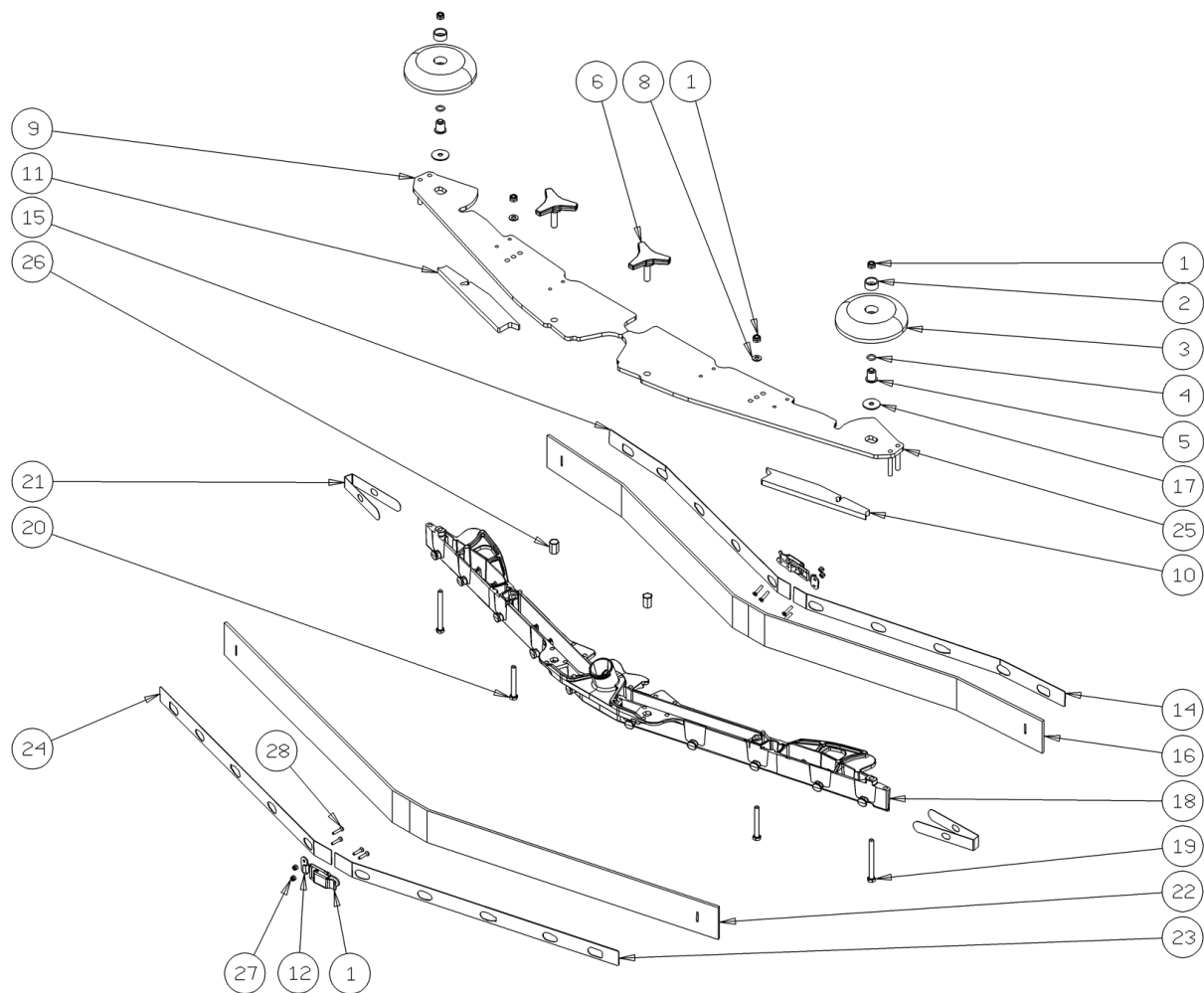
| Ref. | K | Part N. | Customer Part N. | Description | Qty | Validity: | | Price |
|------|---|-----------|------------------|-------------------------------|------|-----------|----|-------|
| | | | | | | From | To | |
| 0001 | | MPVR05929 | | TANK SOLUZIONE CT75 | 1,00 | | | -- |
| 0002 | | MPVR05559 | | TANK SOLUTION CT70 | 1,00 | | | -- |
| 0003 | | MPVR05356 | | COVER 60/70 | 1,00 | | | -- |
| 0004 | | VTRS00516 | | WASHER D. 5 INX | 4,00 | | | -- |
| 0005 | | VTVT15961 | | SCREW M 5X 16 TCB TC UNI 7687 | 4,00 | | | -- |
| 0006 | | SPPV47749 | | BRUSH NYLON 0.8 D.340 BT 7000 | 2,00 | | | -- |



| Ref. K | Part N. | Customer Part N. | Description | Qty | Validity: | | Price |
|--------|-----------|------------------|---------------------------------|------|-----------|---------|-------|
| | | | | | From | To | |
| 0001 | MPVR04051 | | TANK CAP | 1,00 | | | -- |
| 0002 | MPVR49942 | | LEVER SHK PP | 1,00 | | | -- |
| 0003 | VTDD15518 | | NUT M 6 INX | 4,00 | | | -- |
| 0004 | TBFX00348 | | TUBE CT40-70-90 HOSE DRAIN | 1,00 | | 04/2013 | -- |
| 0004 | TBFX00358 | | TUBE PU CT40/70/90 | 1,00 | 04/2013 | | -- |
| 0005 | LAFN05865 | | PLATE COPRILEVA CONSENSO | 1,00 | | | -- |
| 0007 | MPVR46988 | | CLIP LAV. SHK | 1,00 | | | -- |
| 0008 | VTVT00651 | | SCREW TBEI M. 5x16 INOX | 4,00 | | | -- |
| 0009 | VTVT15906 | | SCREW TE 6X 12 A2 UNI 5739 | 2,00 | | | -- |
| 0010 | VTVT15143 | | SCREW TE 6X16 UNI5739 | 3,00 | | | -- |
| 0012 | LAFN03626 | | SPACER | 2,00 | | | -- |
| 0013 | CMCV00361 | | CABLE CABLE LIFTING SQUEEGEE HD | 1,00 | | | -- |
| 0014 | LAFN06849 | | HANDLE CT 70 | 1,00 | | | -- |
| 0015 | MLML00203 | | SPRING | 1,00 | | | -- |
| 0016 | VTRS00251 | | WASHER 4-16 INOX A2 | 1,00 | | | -- |
| 0017 | VTVT00800 | | SCREW TC 4X12 ZN | 1,00 | | | -- |
| 0018 | VTVT21096 | | SCREW TE M 4X 10 INX | 2,00 | | | -- |
| 0019 | LAFN05870 | | BRACKET LEVA SOLLEVAM. SQUEEGEE | 1,00 | | | -- |
| 0021 | VTRS13947 | | WASHER D. 8 INX UNI 6592 | 2,00 | | | -- |
| 0022 | LAFN05861 | | LEVER CONSENSO SPAZZOLE | 1,00 | | | -- |
| 0025 | MPVR05215 | | KNOB - | 2,00 | | | -- |
| 0026 | GUGO00263 | | GASKET CIRCOLARE TAPPO | 1,00 | | | -- |
| 0027 | FTDP00133 | | FILTER | 1,00 | | | -- |
| 0032 | VTVT01139 | | SCREW TE M.4-25 | 2,00 | | | -- |
| 0033 | VTRS00515 | | WASHER D. 4 INX | 2,00 | | | -- |
| 0034 | VTRS00274 | | WASHER NYLON 66 D.8,4-17-2 UNI | 4,00 | | | -- |
| 0035 | GUGO00417 | | GASKET SCATOLA ASPIRAZIONE | 1,00 | | | -- |
| 0036 | MPVR05482 | | BOX - | 1,00 | | | -- |
| 0037 | VTDD15925 | | NUT M 4 INX | 2,00 | | | -- |
| 0038 | GUGO00418 | | GASKET CONDOTTO ASPIRAZIONE | 1,00 | | | -- |
| 0040 | GUGO00245 | | GASKET | 1,00 | | | -- |
| 0042 | FSVR43136 | | CLAMP D. 35-40 DF. | 1,00 | | | -- |
| 0046 | TBFX00353 | | TUBE PU CT70-CT90 | 1,00 | | | -- |
| 0047 | VTDD01693 | | NUT M 5 INX | 2,00 | | | -- |
| 0048 | VTRS00516 | | WASHER D. 5 INX | 2,00 | | | -- |
| 0049 | VTVR01038 | | WASHER - | 1,00 | | | -- |
| 0050 | MPVR05596 | | PROTECTION - | 1,00 | | | -- |
| 0051 | VTVT01150 | | SCREW 4x10 | 1,00 | | | -- |
| 0052 | VTVT07725 | | SCREW TE 5X16 UNI5739 INX | 2,00 | | | -- |



| Ref. | K | Part N. | Customer Part N. | Description | Qty | Validity: | | Price |
|------|---|-----------|------------------|-------------|------|-----------|----|-------|
| | | | | | | From | To | |
| 0053 | | LAFN07631 | | BRACKET - | 1,00 | | | -- |
| 0056 | | FSVR00248 | | CLAMP - | 1,00 | | | -- |



| Ref. | K | Part N. | Customer Part N. | Description | Qty | Validity: | | Price |
|------|---|-----------|------------------|------------------------------|------|-----------|---------|-------|
| | | | | | | From | To | |
| 0001 | | LAFN09302 | | CLOSURE - | 2,00 | 09/2013 | | -- |
| 0002 | | MPVR49229 | | BUSHING SHK | 2,00 | | | -- |
| 0003 | | MPVR05290 | | ROLLER PARACOLPI | 2,00 | | | -- |
| 0004 | | GUGO00164 | | GASKET | 2,00 | | | -- |
| 0005 | | LAFN04100 | | SPACER PER RUOTINO PARACOLPI | 2,00 | | | -- |
| 0006 | | MPVR06003 | | KNOB AISI 304 | 2,00 | | 03/2013 | -- |
| 0006 | | MPVR06004 | | KNOB AISI 304 | 2,00 | 03/2013 | | -- |
| 0008 | | VTRS00245 | | WASHER D.6 UNI 6592 INOX | 2,00 | | | -- |
| 0009 | | LAFN09014 | | PLATE - | 1,00 | | | -- |
| 0010 | | GUVR00303 | | GASKET - | 1,00 | | | -- |
| 0011 | | GUVR00302 | | GASKET - | 1,00 | | | -- |
| 0012 | | LAFN09301 | | SOCKET - | 2,00 | 09/2013 | | -- |
| 0014 | | LAFN08952 | | BRACKET - | 1,00 | | 09/2013 | -- |
| 0014 | | LAFN09284 | | SHEET METAL PA.- | 1,00 | 09/2013 | | -- |
| 0015 | | LAFN08953 | | BRACKET - | 1,00 | | 09/2013 | -- |
| 0015 | | LAFN09285 | | SHEET METAL PA.- | 1,00 | 09/2013 | | -- |
| 0016 | | MPVR08040 | | BLADE L LATEX | 1,00 | | | -- |
| 0017 | | VTRS16937 | | WASHER 6x24 INOX UNI 6593 | 2,00 | | | -- |
| 0018 | | KTRI02049 | | BODY SQUEEGEE PRESSOFUSO "L" | 1,00 | | | -- |
| 0019 | | VTVT00841 | | SCREW TE M 6X65 UNI 5739 INX | 2,00 | | | -- |
| 0020 | | VTVT15515 | | SCREW TE M 6X 50 INOX A2 | 2,00 | | | -- |
| 0021 | | MPVR05898 | | CLOSURE L | 2,00 | | | -- |
| 0022 | | MPVR08036 | | BLADE L LATEX | 1,00 | | | -- |
| 0023 | | LAFN08954 | | BRACKET - | 1,00 | | 09/2013 | -- |
| 0023 | | LAFN09286 | | SHEET METAL PA.- | 1,00 | 09/2013 | | -- |
| 0024 | | LAFN08955 | | BRACKET - | 1,00 | | 09/2013 | -- |
| 0024 | | LAFN09287 | | SHEET METAL PA.- | 1,00 | 09/2013 | | -- |
| 0025 | | LAFN09015 | | PLATE - | 1,00 | | | -- |
| 0026 | | VTVR00565 | | INSERT | 2,00 | | | -- |
| 0027 | | VTDD00210 | | NUT M 3 INOX | 8,00 | 09/2013 | | -- |
| 0028 | | VTVT01070 | | SCREW TSTC M3X8 | 8,00 | 09/2013 | | -- |