



Electronic Service Manuals

This electronic document is provided as a service to our customers. We do not create the contents of the information contained in this document. Should you have detailed questions pertaining to the information contained in this document, you may contact Michco, or the manufacturer which provided the original information in this electronic deliverable. Michco's only part in this electronic deliverable was the electronic assembly process. By providing this manual on line we are not guaranteeing parts availability.

You may contact Michco through the following methods:

Phone (517) 484-9312 or (800) 331-3339

2011 N. High St. -- Lansing, Michigan -- 48906

Fax: (517) 484-9836

Email: CustServe@Michco.com

Web site: www.Michco.Com

Parts Web site: www.FloorMachineParts.Com

Order Parts on Line at:

www.FloorMachineParts.Com

Directly to Parts & Service:

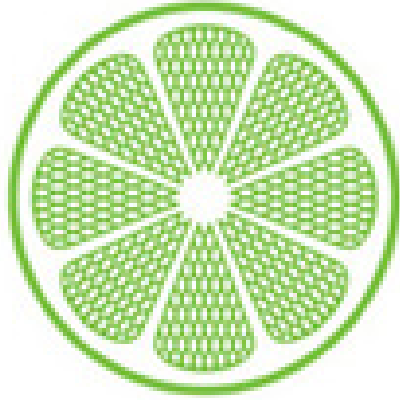
By Email: **Shop@Michco.com**

By Fax: (517) 702-2041

By Voice: Use numbers above.

Serving the Cleaning Industry Since 1922

Notice: All copyrighted material remains property of original owners, all trademarks are property of respective owners. Manuals are subject to Manufacturer's reproduction limitations. Originals or reproductions were provided by manufacturers through a request. We make no warranty as to the correctness of information provided in this document and you assume all risk. By placing these manuals on line we are not declaring our corporation to be an manufacturer authorized dealer or provider, please check our web site for authorized manufacturers we represent.



IPC Integrated Professional Cleaning

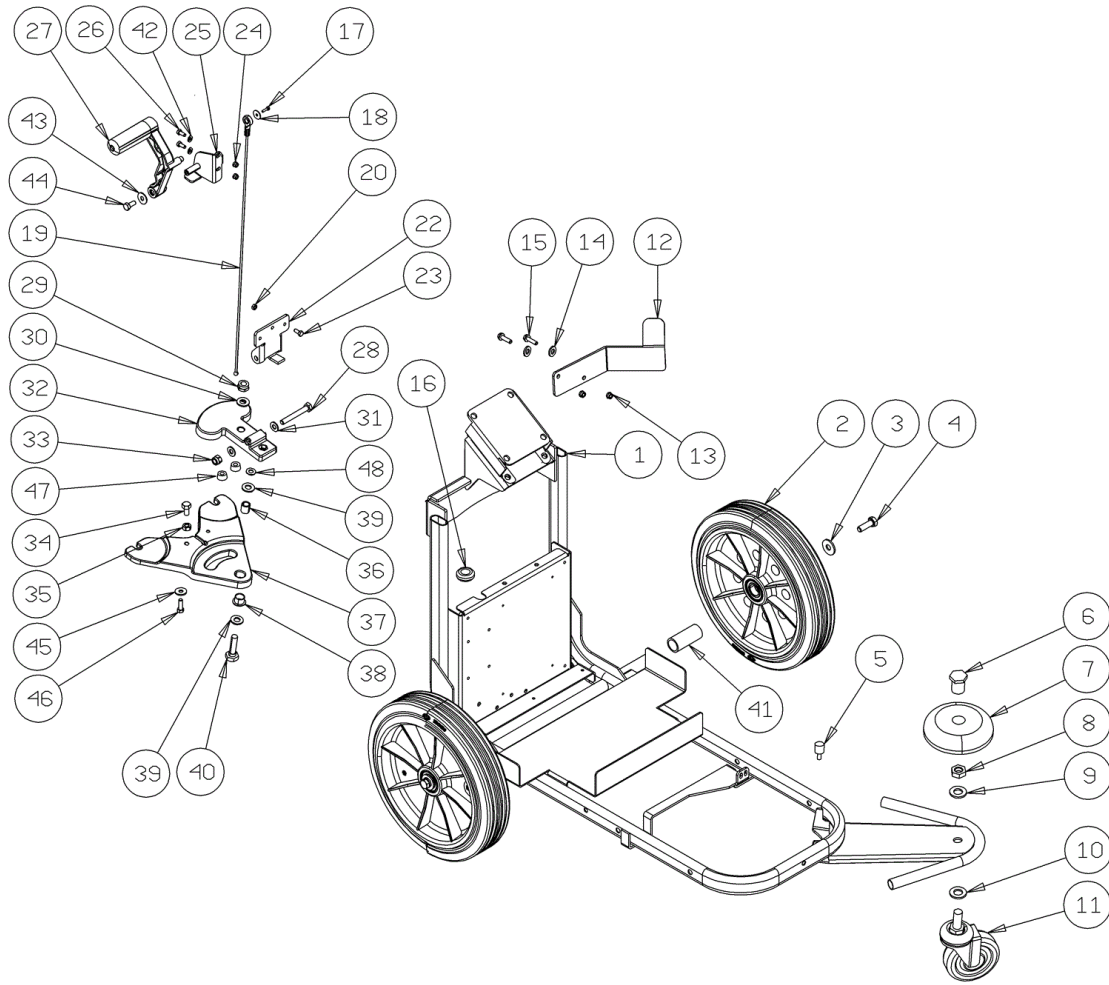
IPC Gansow

Spare Parts List

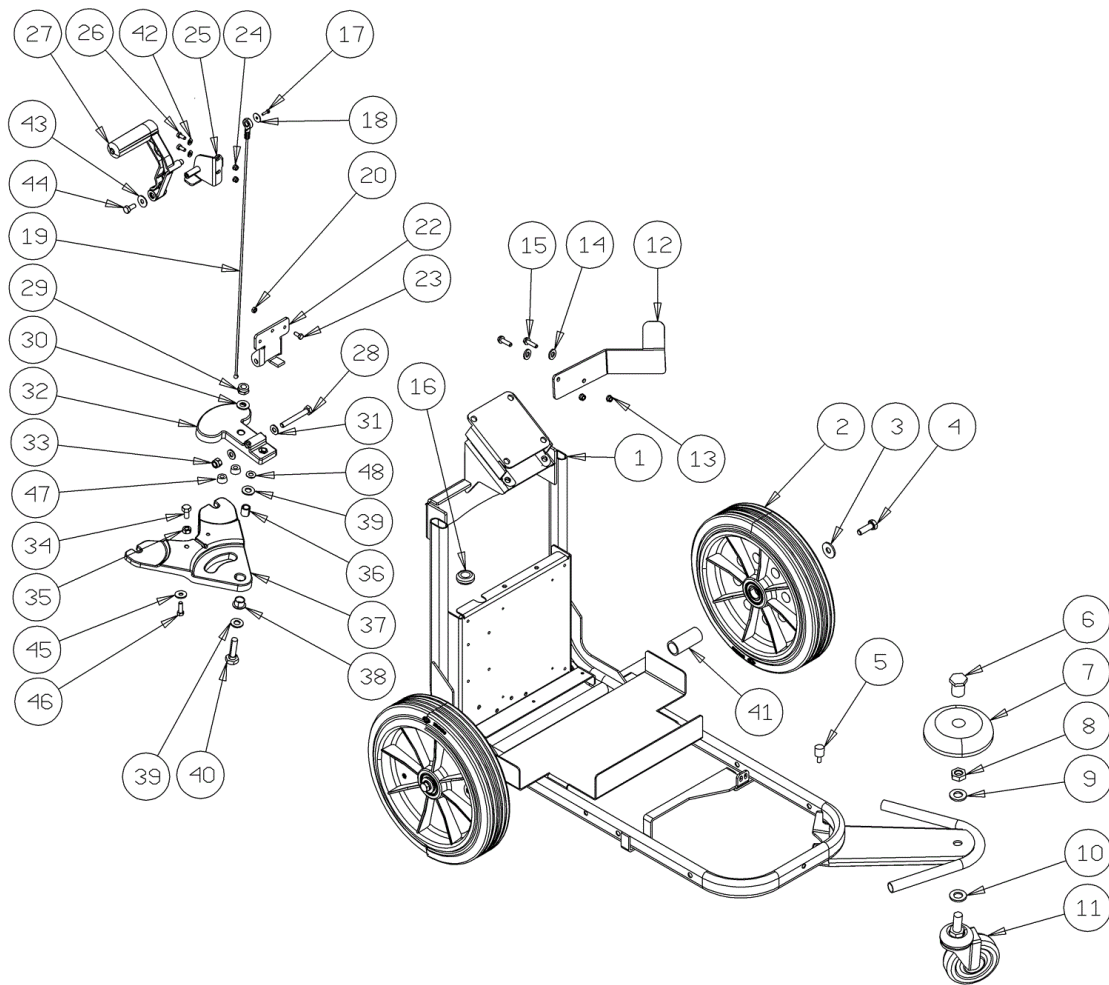
IPC EAGLE

Ref: LPTB01599

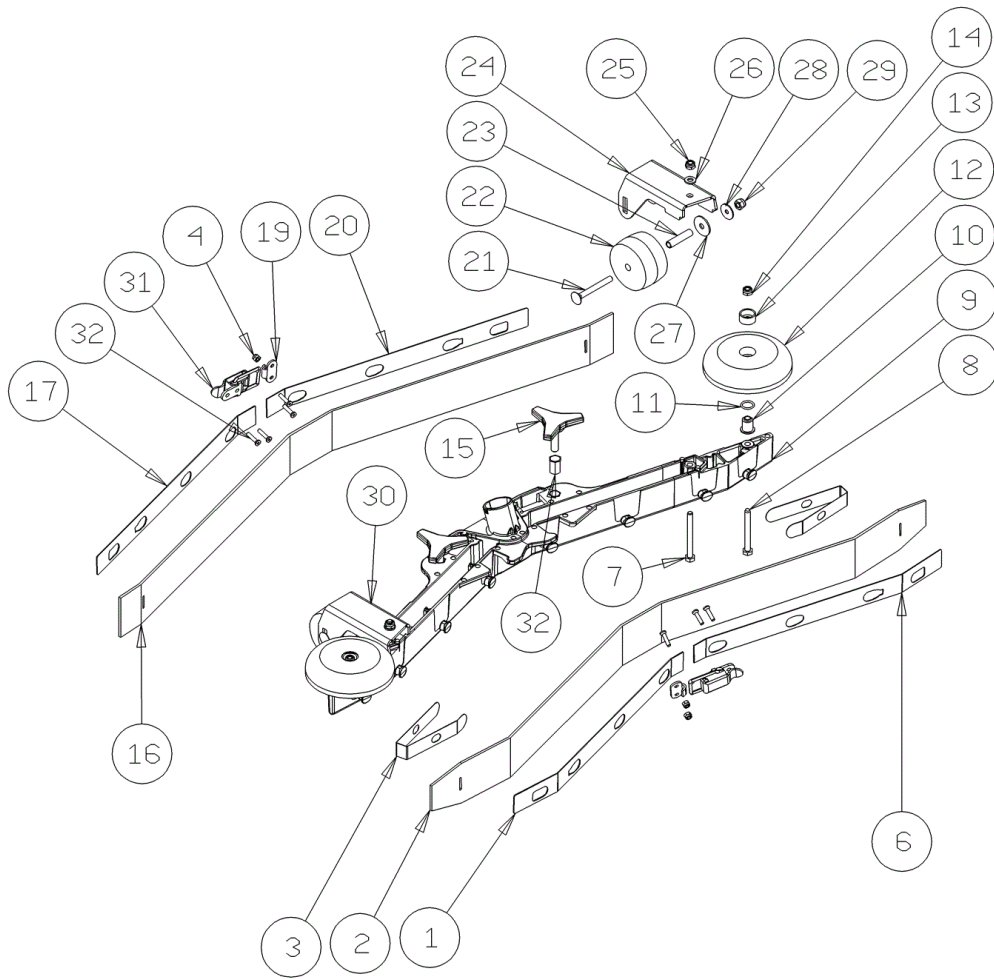
Model: CT45 B50+BAT GR/VE USA



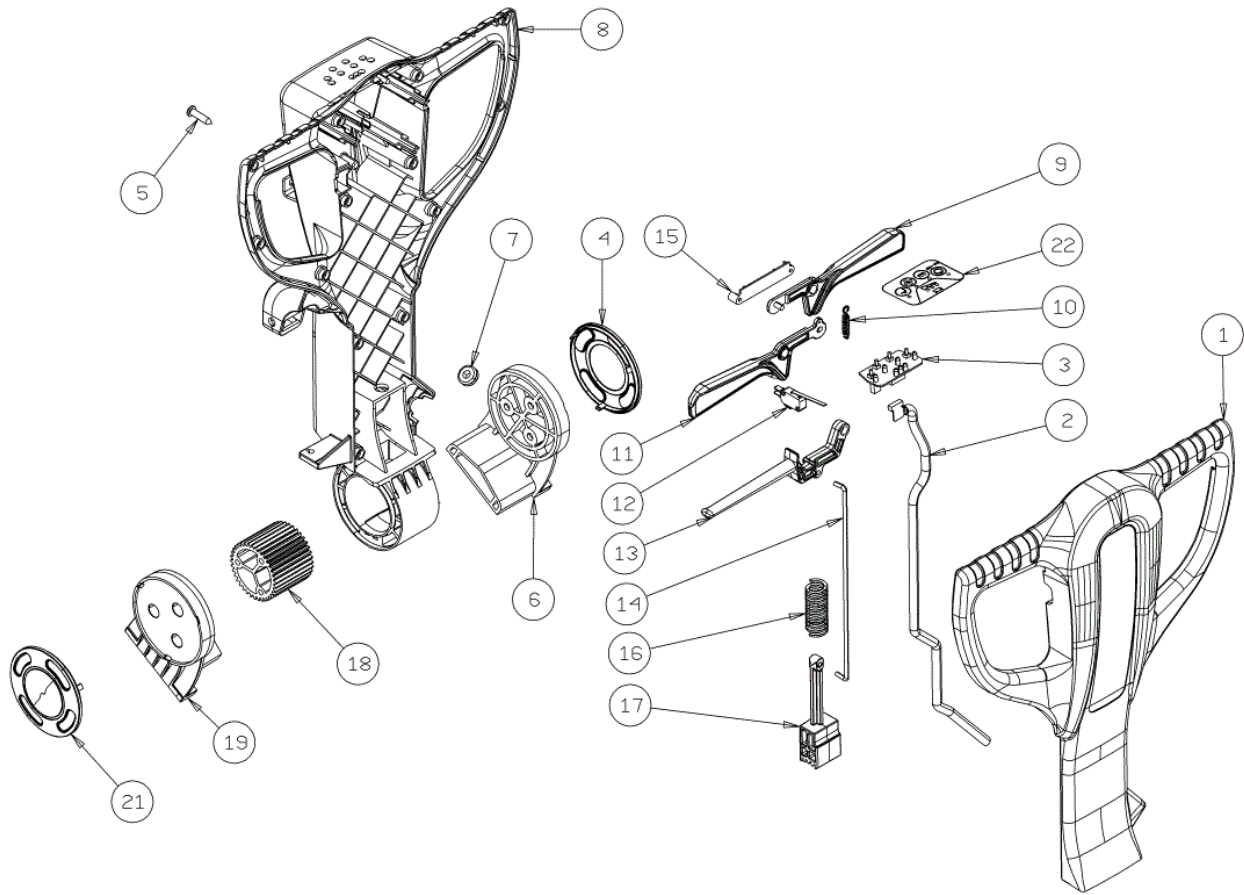
Ref. K	Part N.	Customer Part N.	Description	Qty	Validity:		Price
					From	To	
0001	LAFN07963		SHEET METAL PA.-	1,00			--
0002	RTRT00537		WHEEL -	2,00			--
0003	VTRS00512		WASHER D. 8 X24 ZC.	2,00			--
0004	VTVT01110		SCREW TE 8X16 UNI5739	2,00			--
0005	MPVR05967		CAP -	1,00			--
0006	LAFN09172		BUSHING -	1,00			--
0007	MPVR05965		WHEEL -	1,00			--
0008	VTDD00502		NUT M12	1,00			--
0009	VTRS15978		WASHER D.12X24 UNI 6592 INX	1,00			--
0010	VTRS15978		WASHER D.12X24 UNI 6592 INX	1,00			--
0011	RTRT00544		WHEEL D.80MXHC	1,00			--
0012	LAFN08091		BRACKET -	1,00			--
0013	VTDD01694		NUT M6 INOX	2,00			--
0014	VTRS00245		WASHER D.6 UNI 6592 INOX	2,00			--
0015	VTVT15143		SCREW TE 6X16 UNI5739	2,00			--
0016	MEVR00686		FAIR-LEAD DIAMETER 15.5	1,00			--
0017	VTVT00800		SCREW TC 4X12 ZN	1,00			--
0018	VTRS00251		WASHER 4-16 INOX A2	1,00			--
0019	CMCV00459		CABLE CT45	1,00			--
0020	VTDD15517		NUT M 5 INX	3,00			--
0022	LAFN07944		COUPLING SQUEEGEE	1,00		09/2013	--
0022	LAFN08106		COUPLING SQUEEGEE	1,00	09/2013		--
0023	VTVT01300		SCREW TE M5X12 INOX	3,00			--
0024	VTDD04369		NUT M 4 TEF UNI 7473	2,00			--
0025	LAFN08085		BRACKET -	1,00			--
0026	VTVT29884		SCREW TE M 4X 16 UNI 5739	2,00			--
0027	MPVR49942		LEVER SHK PP	1,00			--
0028	VTVT00757		SCREW	1,00			--
0029	VTDD10310		NUT AUTOBL.M10 INOX DIN 985	1,00			--
0030	VTRS15523		WASHER D.10 X21 INOX UNI 6592	1,00			--
0031	VTRS13947		WASHER D. 8 INX UNI 6592	1,00			--
0032	MFVR00223		SUPPORT SQUEEGEE CT45	1,00			--
0033	VTDD01695		NUT M 8 INX	1,00			--
0034	VTVT15141		SCREW TE M 6X 25 UNI 5739 INX	1,00			--
0035	VTDD15520		NUT M 6 A2 UNI 5588 INX	1,00			--
0036	LAFN08067		BUSHING CT45	1,00			--
0037	MFVR00224		ARTICULATION SQUEEGEE SUPPORT CT45	1,00			--
0038	CUVR00193		BUSHING -	1,00			--
0039	VTRS15523		WASHER D.10 X21 INOX UNI 6592	2,00			--



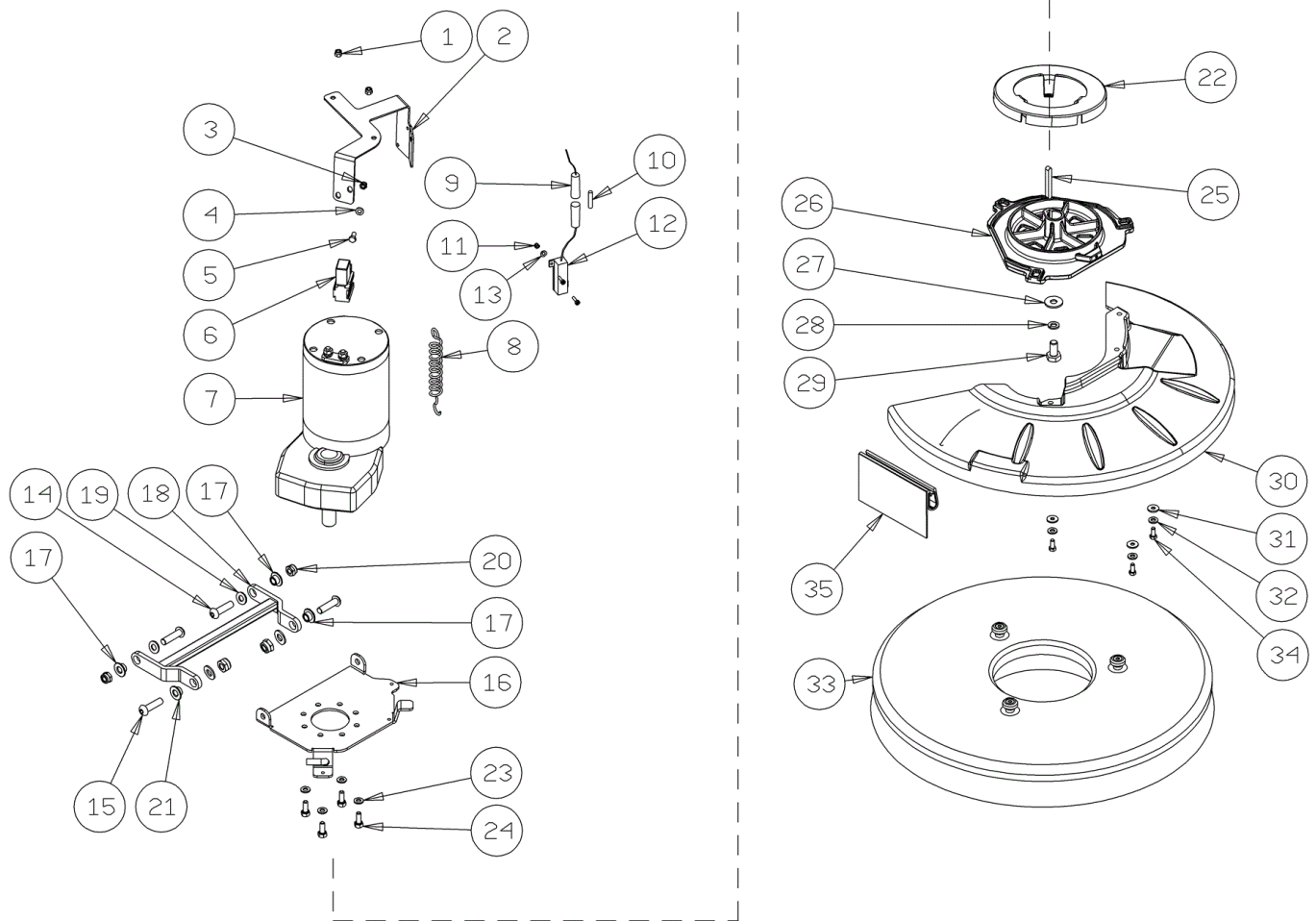
Ref.	K	Part N.	Customer Part N.	Description	Qty	Validity:		Price
						From	To	
0040		VTVT01169		SCREW TE M10X45	1,00			--
0041		LAFN08093		BUSHING -	2,00			--
0042		VTRS05904		WASHER D. 4 X16 2.083	2,00			--
0043		VTRS15958		WASHER D. 5 X15 UNI 6593	1,00			--
0044		VTVT62916		SCREW TE M5X12 ZN UNI 5739-8.8	1,00			--
0045		VTRS16937		WASHER 6x24 INOX UNI 6593	1,00			--
0046		VTVT21887		SCREW TCB-TC 4X10 8112	1,00			--
0047		GUGO00234		GASKET 3/4"	1,00		07/2013	--
0047		GUGO00321		CONVEYOR -	2,00		07/2013	--
0048		MLML34767		SPRING D.10.2 X20	1,00			--



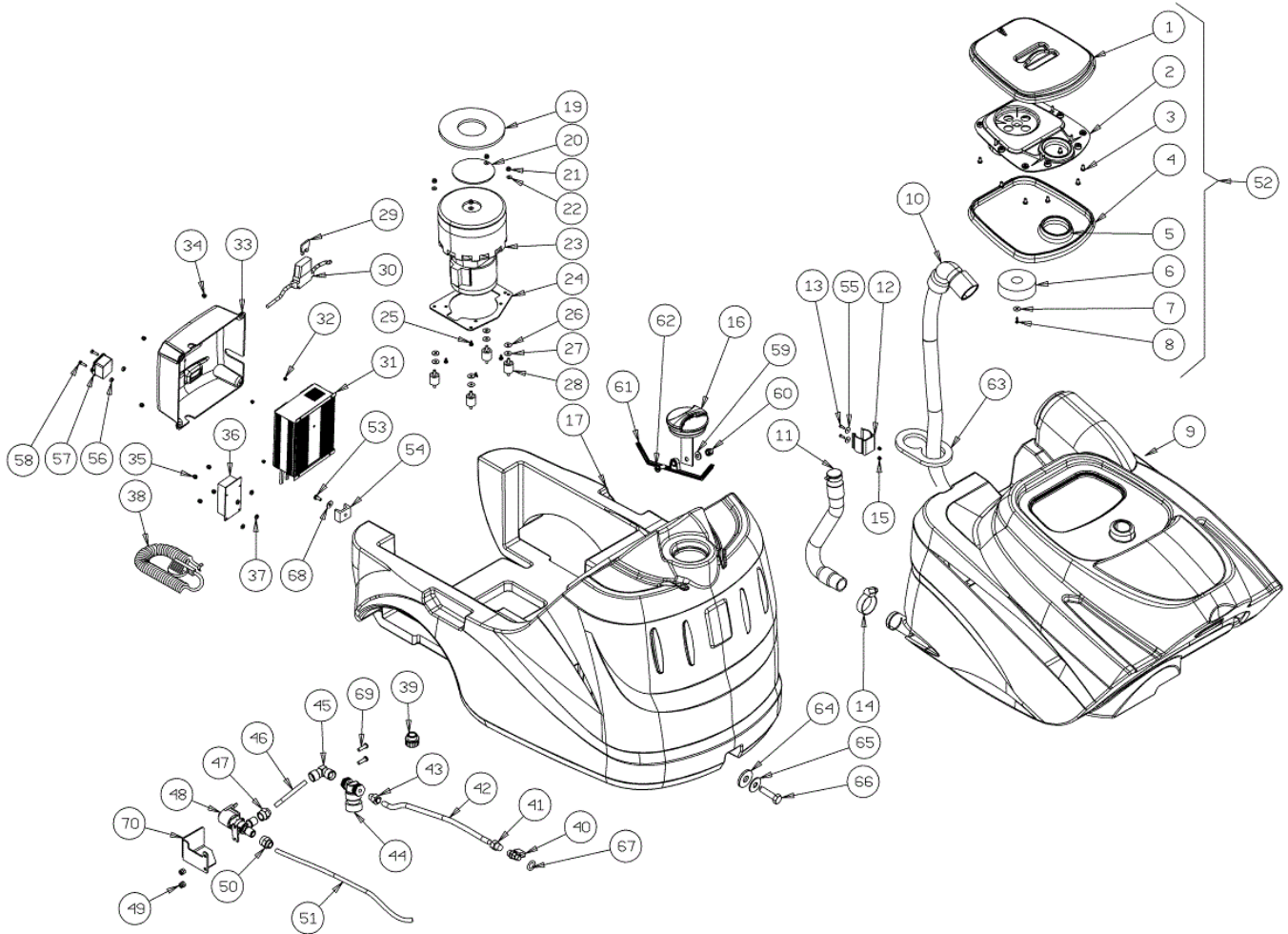
Ref.	K	Part N.	Customer Part N.	Description	Qty	Validity:		Price
						From	To	
0001		LAFN08940		BRACKET -	1,00		09/2013	--
0001		LAFN09275		SHEET METAL PA.-	1,00	09/2013		--
0002		MPVR06285		BLADE XS 3MM	1,00		07/2013	--
0002		MPVR06287		BLADE XS 3MM LATEX	1,00	07/2013		--
0003		MPVR05897		CLOSURE S	2,00			--
0004		VTDD00210		NUT M 3 INOX	8,00	09/2013		--
0006		LAFN08945		BRACKET -	1,00		09/2013	--
0006		LAFN09276		SHEET METAL PA.-	1,00	09/2013		--
0007		VTVT17342		SCREW TE M 6X 60 UNI 5739 INX	2,00			--
0008		VTVT00655		SCREW TE M. 6-55	2,00			--
0009		MFVR00143		BODY SQUEEGEE PRESSOFUSO	1,00			--
0010		LAFN04100		SPACER PER RUOTINO PARACOLPI	2,00			--
0011		GUGO00164		GASKET	2,00			--
0012		MPVR05290		ROLLER PARACOLPI	2,00			--
0013		MPVR49229		BUSHING SHK	2,00			--
0014		VTDD01694		NUT M6 INOX	2,00			--
0015		MPVR06003		KNOB AISI 304	2,00		03/2013	--
0015		MPVR06004		KNOB AISI 304	2,00	03/2013		--
0016		MPVR06286		BLADE XS 3MM	1,00		07/2013	--
0016		MPVR06288		BLADE XS 3MM LATEX	1,00	07/2013		--
0017		LAFN08946		BRACKET -	1,00		09/2013	--
0017		LAFN09277		SHEET METAL PA.-	1,00	09/2013		--
0019		LAFN09301		SOCKET -	2,00	09/2013		--
0020		LAFN08947		BRACKET -	1,00		09/2013	--
0020		LAFN09278		SHEET METAL PA.-	1,00	09/2013		--
0021		VTVT01206		SCREW M6X55	2,00			--
0022		RTRT00523		WHEEL -	2,00			--
0023		LAFN07589		SPACER -	2,00			--
0024		LAFN09217		SUPPORT SX	1,00			--
0025		VTDD01694		NUT M6 INOX	2,00			--
0026		VTRS00245		WASHER D.6 UNI 6592 INOX	2,00			--
0027		VTRS16937		WASHER 6x24 INOX UNI 6593	2,00			--
0028		VTRS13945		WASHER D. 6X18 INX UNI 6593	2,00			--
0029		VTDD15518		NUT M 6 INX	2,00			--
0030		LAFN09216		SUPPORT DX	1,00			--
0031		LAFN09302		CLOSURE -	2,00	09/2013		--
0032		VTVR00567		INSERT -	2,00			--
0032		VTVT01070		SCREW TSTC M3X8	8,00	09/2013		--



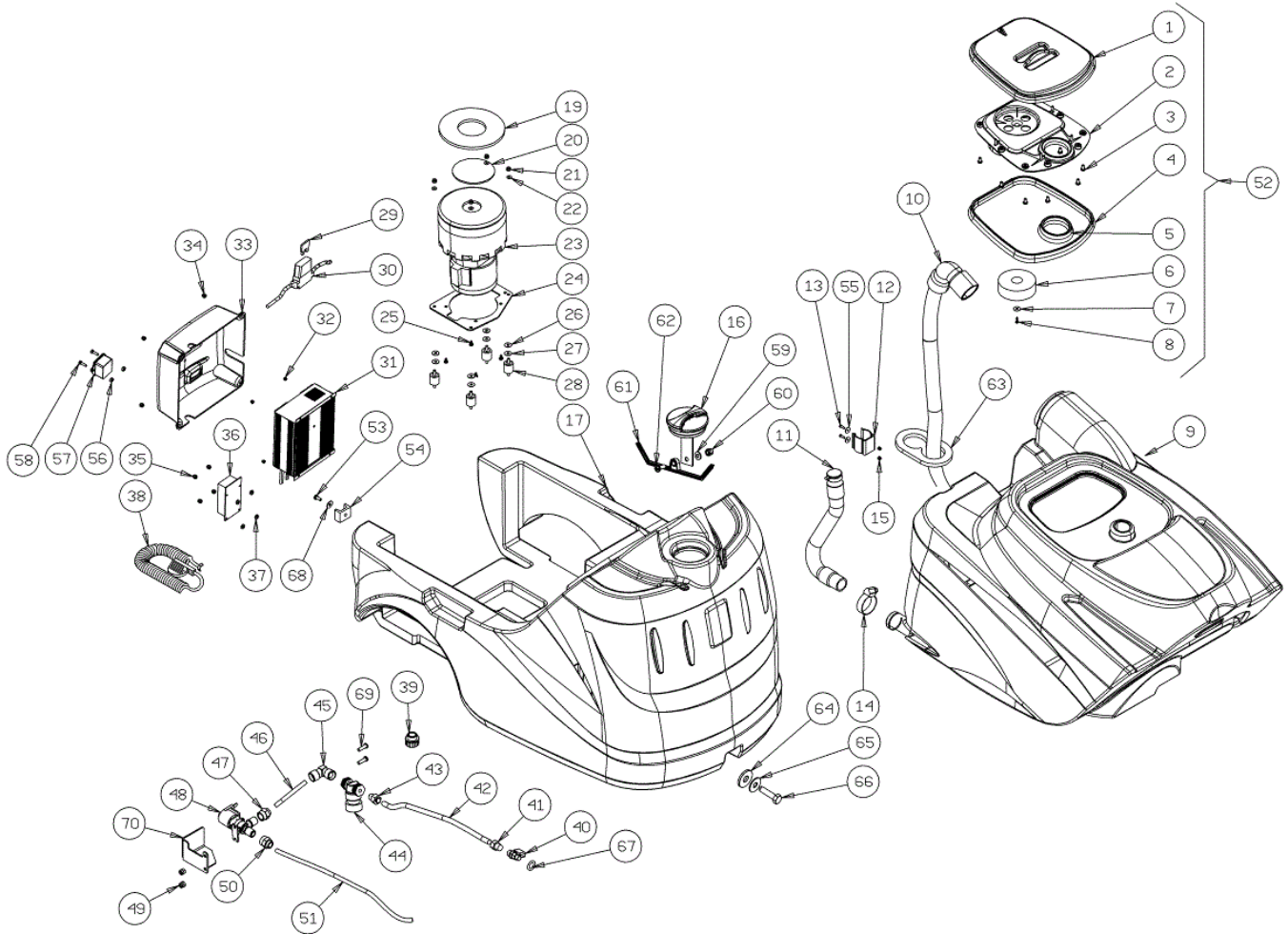
Ref. K	Part N.	Customer Part N.	Description	Qty	Validity:		Price
					From	To	
0001	MPVR06046		CRANKCASE -	1,00			--
0002	MECB01326		WIRING FLAT CABLE CT45	1,00			--
0003	MECE00579		BOARD LOGIC CT45 24V	1,00			--
0004	MPVR06055		COVER -	1,00			--
0005	VTVT01371		SCREW 4,8X19	14,00			--
0006	MPVR06054		SHELL SX	1,00			--
0007	MPVR06057		FAIR-LEAD -	1,00			--
0008	MPVR06047		CRANKCASE -	1,00			--
0009	MPVR06048		LEVER SX	1,00			--
0010	MLML00336		SPRING -	1,00			--
0011	MPVR06049		LEVER DX	1,00			--
0012	MECI36393		MICROSWITCH TRZ. DRW	1,00			--
0013	MPVR06050		LEVER ADJUSTMENT	1,00			--
0014	LAFN09221		LEVER RINVIO	1,00			--
0015	MPVR06298		COVER CT55	1,00			--
0016	MLML00337		SPRING -	1,00			--
0017	MPVR06052		HANDLE SUPPORT	1,00			--
0018	MPVR06056		GEAR -	1,00			--
0019	MPVR06053		SHELL DX	1,00			--
0021	MPVR06055		COVER -	1,00			--
0022	ETET01780		LABEL -	1,00			--



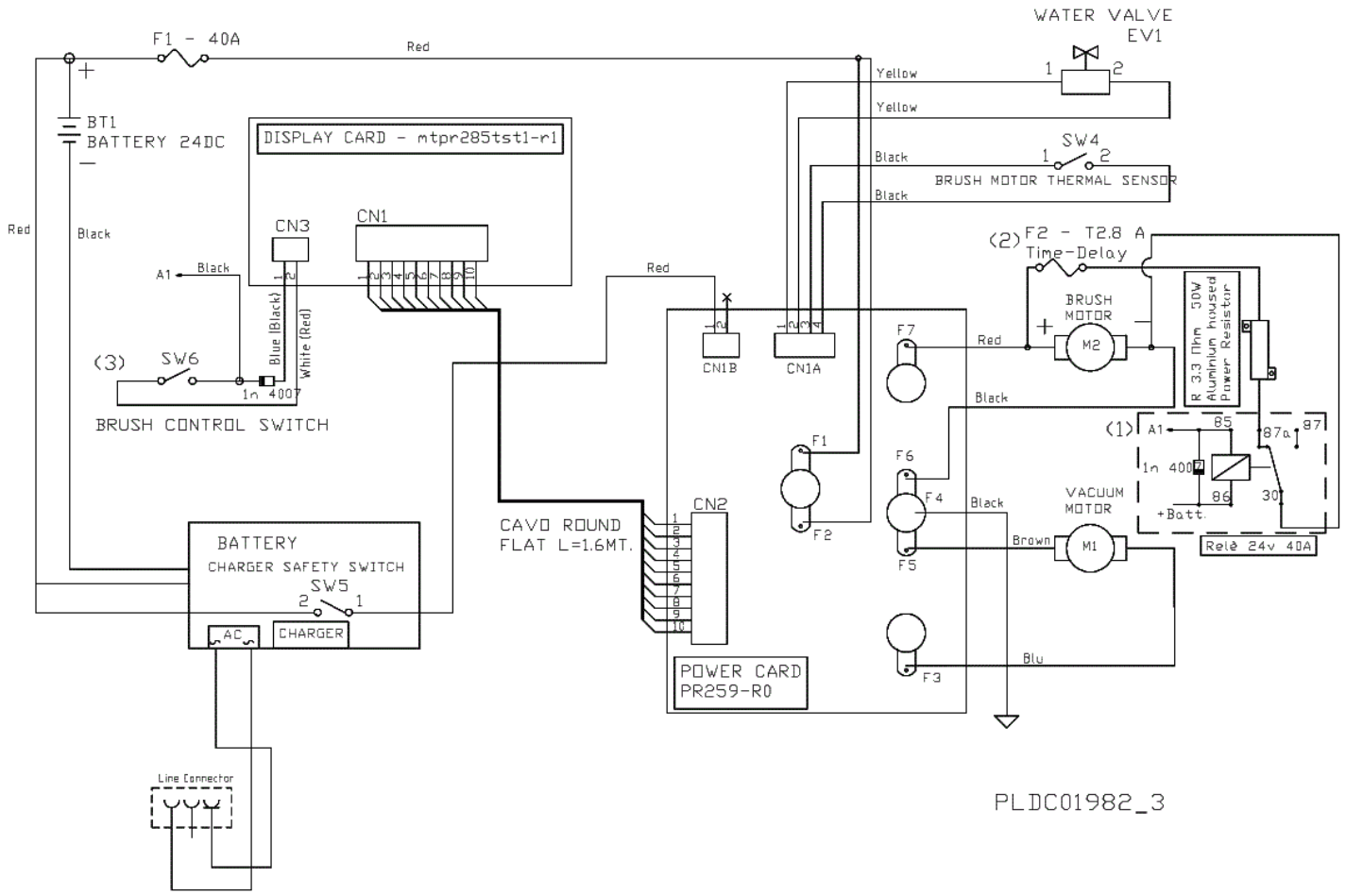
Ref.	K	Part N.	Customer Part N.	Description	Qty	Validity:		Price
						From	To	
0001		VTDD00128		SELF-LOCJ.NUT M5	2,00			--
0002		LAFN08083		BRACKET -	1,00			--
0003		VTDD01693		NUT M 5 INX	1,00			--
0004		VTRS13750		WASHER D. 5X14 INX	1,00			--
0005		VTVT34115		SCREW TE M 5X 10 UNI 5739	1,00			--
0006		MECI00005		RELAY 24V 10/20A	1,00			--
0007		MOCC00426		MOTOR 24V 20A 400W IP44	1,00			--
0008		MLML00065		SPRING L0=80 De=12 Df=1.7	1,00		10/2013	--
0008		MLML00340		SPRING -	1,00			--
0009		MEVR00080		FUSE-HOLDER PV610 10A	1,00			--
0010		MEVR01747		FUSE 6X32 2,8A T	1,00			--
0011		VTDD21115		NUT M 3 INOX	2,00			--
0012		MEVR02066		RESISTANCE 3,3ohm 50W	1,00			--
0013		VTRS27296		WASHER GROWER 3 ZNT	2,00			--
0014		VTVT01378		CARRYNG BAG	2,00			--
0015		VTVT01195		SCREW TBEI M 8X 25 ISO 7380 IX	2,00			--
0016		LAFN08104		SUPPORT -	1,00			--
0017		LAFN06391		BUSHING PARALLELOGRAMMA	3,00			--
0018		LAFN07910		BRACKET -	1,00			--
0019		VTRS13947		WASHER D. 8 INX UNI 6592	4,00			--
0020		VTDD01695		NUT M 8 INX	4,00			--
0021		LAFN51068	#8479.90.9498	BUSHING LEVA POSTER.	1,00			--
0022		MPVR06045		CONVEYOR -	1,00			--
0023		VTRS15144		WASHER D. 6 INX GRW UNI 1751	4,00			--
0024		VTVT15906		SCREW TE 6X 12 A2 UNI 5739	4,00			--
0025		VTVR16617		KEY 6X 6X30 UNI 6604	1,00			--
0026		MFVR00212		DRIVE DISK	1,00			--
0027		VTRS13946		WASHER D. 8 X24 INX UNI 6593	1,00			--
0028		VTRS15146		WASHER D. 8 INX GRW UNI 1751	1,00			--
0029		VTVT13938		SCREW TE 8X20 UNI5739 INX	1,00			--
0030		MPVR06243		COVER CT45	1,00			--
0031		VTRS13750		WASHER D. 5X14 INX	3,00			--
0032		VTRS15908		WASHER D. 5 INX GRW UNI 1751	3,00			--
0033		SPPV01332		BRUSH D.500 NYLON	1,00			--
0034		VTVT01300		SCREW TE M5X12 INOX	3,00			--
0035		MPVR06072		FLAP -	1,00			--



Ref.	K	Part N.	Customer Part N.	Description	Qty	Validity:		Price
						From	To	
0001		MPVR05825		COVER -	1,00			--
0002		MPVR05826		COVER -	1,00			--
0003		VTVT01694		SCREW TCB TC 5 X10 UNI 9707 TZ	8,00			--
0004		GUVR00306		GASKET -	1,00			--
0005		GUVR00307		GASKET -	1,00			--
0006		MPVR05836		FLOATER -	1,00			--
0007		VTRS00573		WASHER 30x6x3	1,00			--
0008		VTVT48694		SCREW TCB TC 5 X12 UNI 9707 TZ	1,00			--
0009		MPVR06244		TANK CT45	1,00			--
0010		TBFX00357		TUBE CT45	1,00			--
0011		TBFX00350		TUBE HOSE DRAIN CT30	1,00			--
0012		MPVR46988		CLIP LAV. SHK	1,00			--
0013		VTVT29884		SCREW TE M 4X 16 UNI 5739	2,00			--
0014		FSVR00002		CLAMP EKOFLEX 9 23-35	1,00			--
0015		VTDD04369		NUT M 4 TEF UNI 7473	2,00			--
0016		MPVR05188		CAP -	1,00			--
0017		MPVR06245		TANK CT45	1,00			--
0019		GUGO00444		GASKET -	1,00			--
0020		LAFN05830		NET FERMA FILTRO INOX	1,00			--
0021		VTDD07727		NUT M 5 INOX	4,00			--
0022		VTRS15908		WASHER D. 5 INX GRW UNI 1751	4,00			--
0023		MEVR05200		CARBON MOTORE ASP.AMET.116599-13	2,00			--
0023		MOCC00397		MOTOR VACUUM CT15-CT30	1,00			--
0024		LAFN08894		PLATE -	1,00			--
0025		VTVT48694		SCREW TCB TC 5 X12 UNI 9707 TZ	4,00			--
0026		VTRS13750		WASHER D. 5X14 INX	4,00			--
0027		VTRS13750		WASHER D. 5X14 INX	4,00			--
0028		ABGO00052		VIBRATION DAMP.-	4,00			--
0029		MEVR02048		FUSE 40A	1,00			--
0030		MECB01286		WIRING FUSE HOLDER CT30 BATTERY	1,00			--
0031		BACA00156		BATTERY-CHARGER24V 10A CT30	1,00			--
0032		VTDD00001		NUT UNI 5588 M3 ZB	4,00			--
0033		MPVR06234		COVER CT30	1,00			--
0034		VTDD04368		NUT M 4 ZIN UNI 5588	4,00			--
0035		VTDD04368		NUT M 4 ZIN UNI 5588	4,00			--
0036		MECE00578		BOARD POWER CT15-CT30	1,00			--
0037		VTRS00377		WASHER M4	4,00			--
0038		MECB00923		EXTENSION AWG18 US PLUG	1,00			--
0039		MPVR08003		CAP	1,00			--



Ref.	K	Part N.	Customer Part N.	Description	Qty	Validity:		Price
						From	To	
0040		RCGR00082		VALVE -	1,00			--
0041		RCVR00784		CONNECTOR -	1,00			--
0042		TBBP00511		TUBE -	0,33			--
0043		RCVR00784		CONNECTOR -	1,00			--
0044		FTAC00044		FILTER CT15-CT30	1,00			--
0045		RCVR00773		CONNECTOR 1/4	1,00			--
0046		TBBP00481		TUBE -	0,20			--
0047		RCVR00772		CONNECTOR 1/4	1,00			--
0048		KTRI02139		SOLENOID VALVE CT45	1,00			--
0049		VTDD00055		NUT M 4 ATB A2	2,00	05/2013		--
0049		VTVT48694		SCREW TCB TC 5 X12 UNI 9707 TZ	2,00		05/2013	--
0050		RCVR00772		CONNECTOR 1/4	1,00			--
0051		TBBP00481		TUBE -	0,48			--
0052		KTRI01989		KIT RECOVERY LID	1,00			--
0053		VTVT00311		SCREW TE M4X12	1,00			--
0054		FSVR00243		CLAMP 20/30	1,00			--
0055		VTRS05904		WASHER D. 4 X16 2.083	2,00			--
0056		VTDD00001		NUT UNI 5588 M3 ZB	2,00			--
0057		MEVR02074		PLUG IEC	1,00			--
0058		VTVT00035		SCREW M 3X 8 TS TC ZC	2,00			--
0059		VTRS00515		WASHER D. 4 INX	1,00			--
0060		VTDD00055		NUT M 4 ATB A2	1,00			--
0061		MPVR08038		PLATE CT15-30	1,00			--
0062		VTVT15965		SCREW TCB-TC 4X12 UNI7687 INX	1,00			--
0063		MPVR04659		FLANGE	1,00			--
0064		VTRS16937		WASHER 6x24 INOX UNI 6593	1,00			--
0065		VTRS13750		WASHER D. 5X14 INX	1,00			--
0066		VTVT01376		SCREW TE M 5X 35 UNI 5739	1,00			--
0067		GUGO31088		O-RING D. 12 X 2.50 NBR 70SH	1,00			--
0068		VTRS00501		WASHER D. 4 0.232 UNI 6592	1,00			--
0069		VTVT15924		SCREW M 4X 16 TCB-TC UNI 7687	2,00	05/2013		--
0070		LAFN07948		PROTECTION ELETTROVALVOLA	1,00	05/2013		--



PLDC01982_3

Ref.	K	Part N.	Customer Part N.	Description	Qty	Validity:		Price
						From	To	
EV1		MEEV00042		SOLENOID VALVE	1,00			--
F1		MEVR02048		FUSE 40A	1,00			--
M1		MOCC00397		MOTOR VACUUM CT15-CT30	1,00			--
M2		MOCC00406		MOTOR BRUSH CT30B	1,00			--