



Electronic Service Manuals

This electronic document is provided as a service to our customers. We do not create the contents of the information contained in this document. Should you have detailed questions pertaining to the information contained in this document, you may contact Michco, or the manufacturer which provided the original information in this electronic deliverable. Michco's only part in this electronic deliverable was the electronic assembly process. By providing this manual on line we are not guaranteeing parts availability.

You may contact Michco through the following methods:

Phone (517) 484-9312 or (800) 331-3339

2011 N. High St. -- Lansing, Michigan -- 48906

Fax: (517) 484-9836

Email: CustServe@Michco.com

Web site: www.Michco.Com

Parts Web site: www.FloorMachineParts.Com

Order Parts on Line at:

www.FloorMachineParts.Com

Directly to Parts & Service:

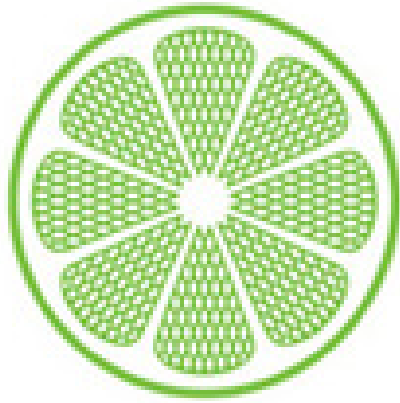
By Email: **Shop@Michco.com**

By Fax: (517) 702-2041

By Voice: Use numbers above.

Serving the Cleaning Industry Since 1922

Notice: All copyrighted material remains property of original owners, all trademarks are property of respective owners. Manuals are subject to Manufacturer's reproduction limitations. Originals or reproductions were provided by manufacturers through a request. We make no warranty as to the correctness of information provided in this document and you assume all risk. By placing these manuals on line we are not declaring our corporation to be an manufacturer authorized dealer or provider, please check our web site for authorized manufacturers we represent.



IPC Integrated Professional Cleaning

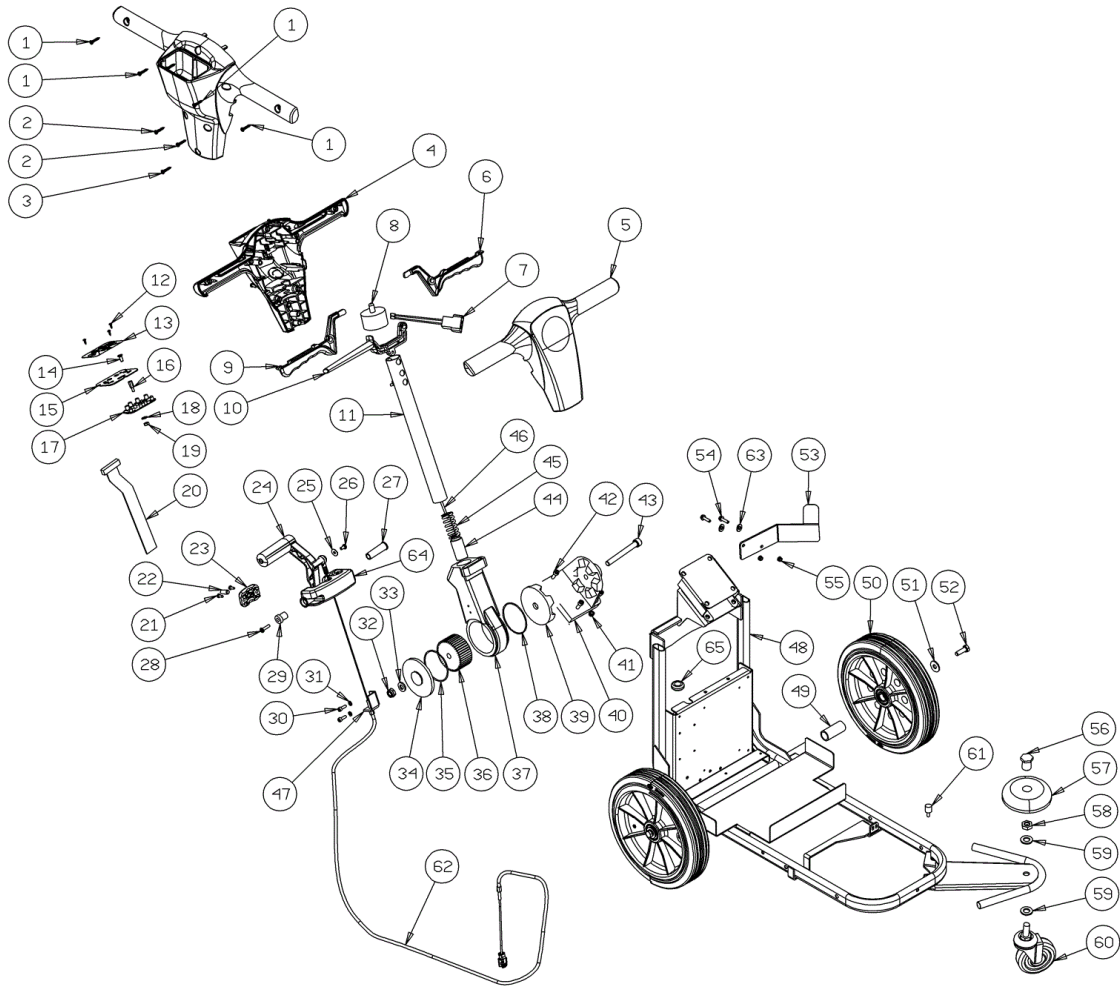
IPC Gansow

Spare Parts List

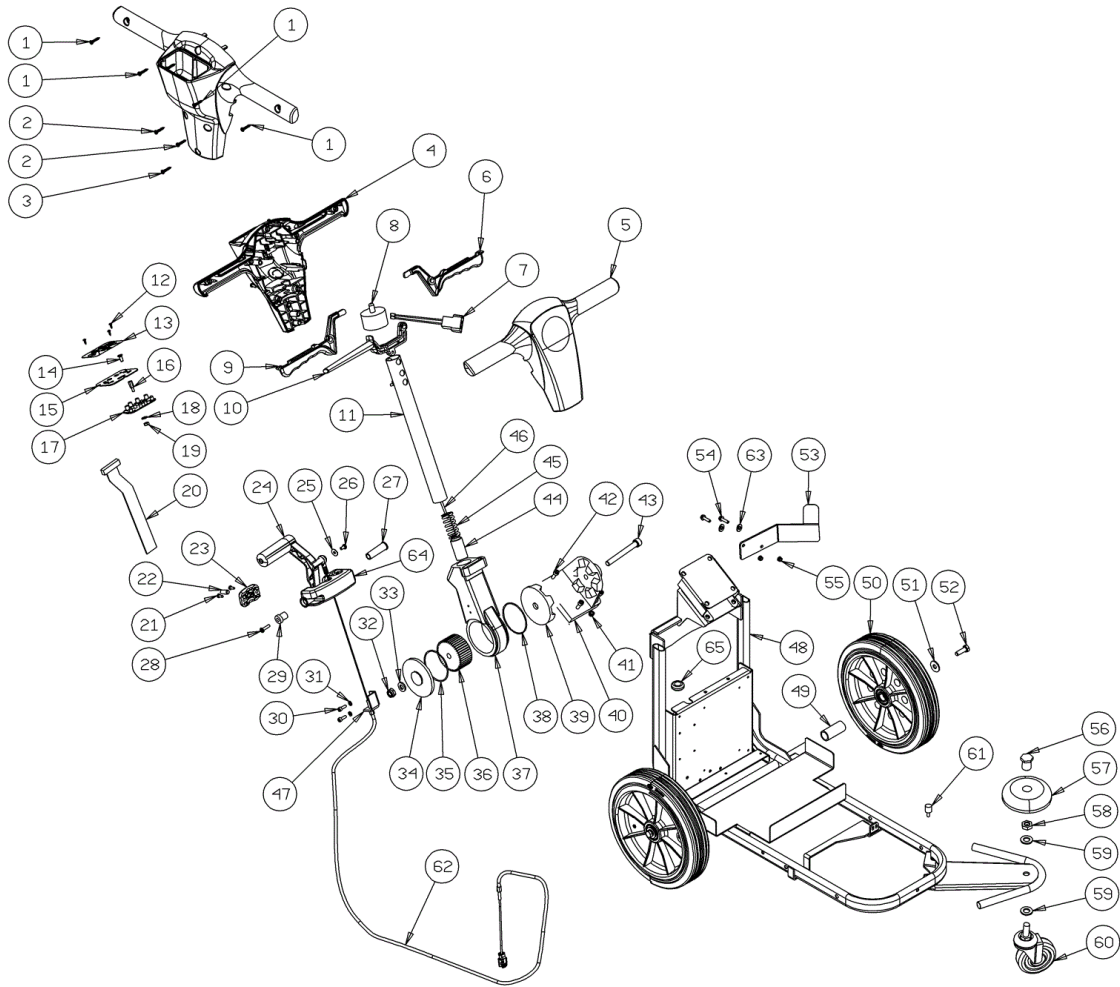
IPC EAGLE

Ref: LPTB02500

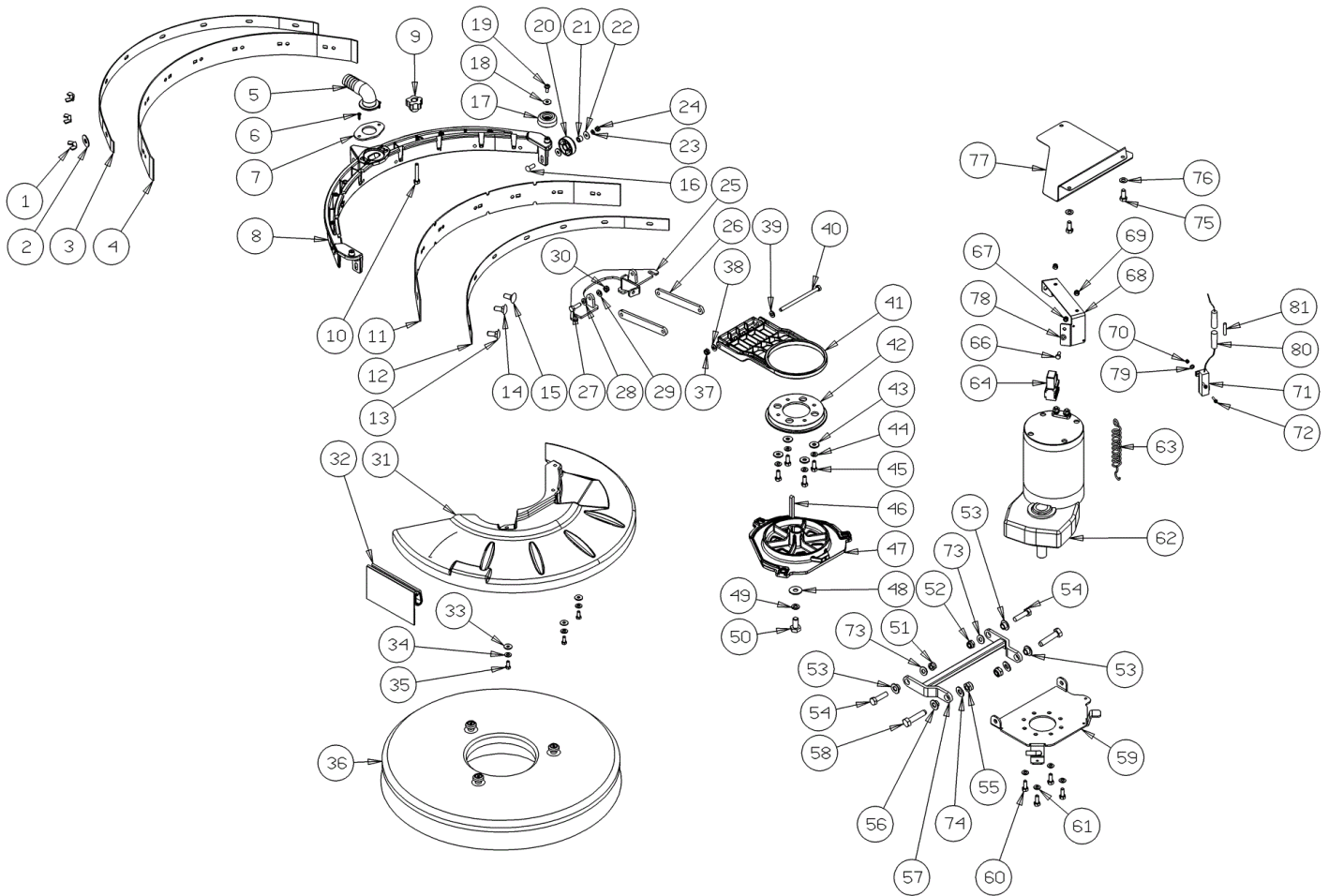
Model: CT30 B45+BAT GR/VE JP/USA



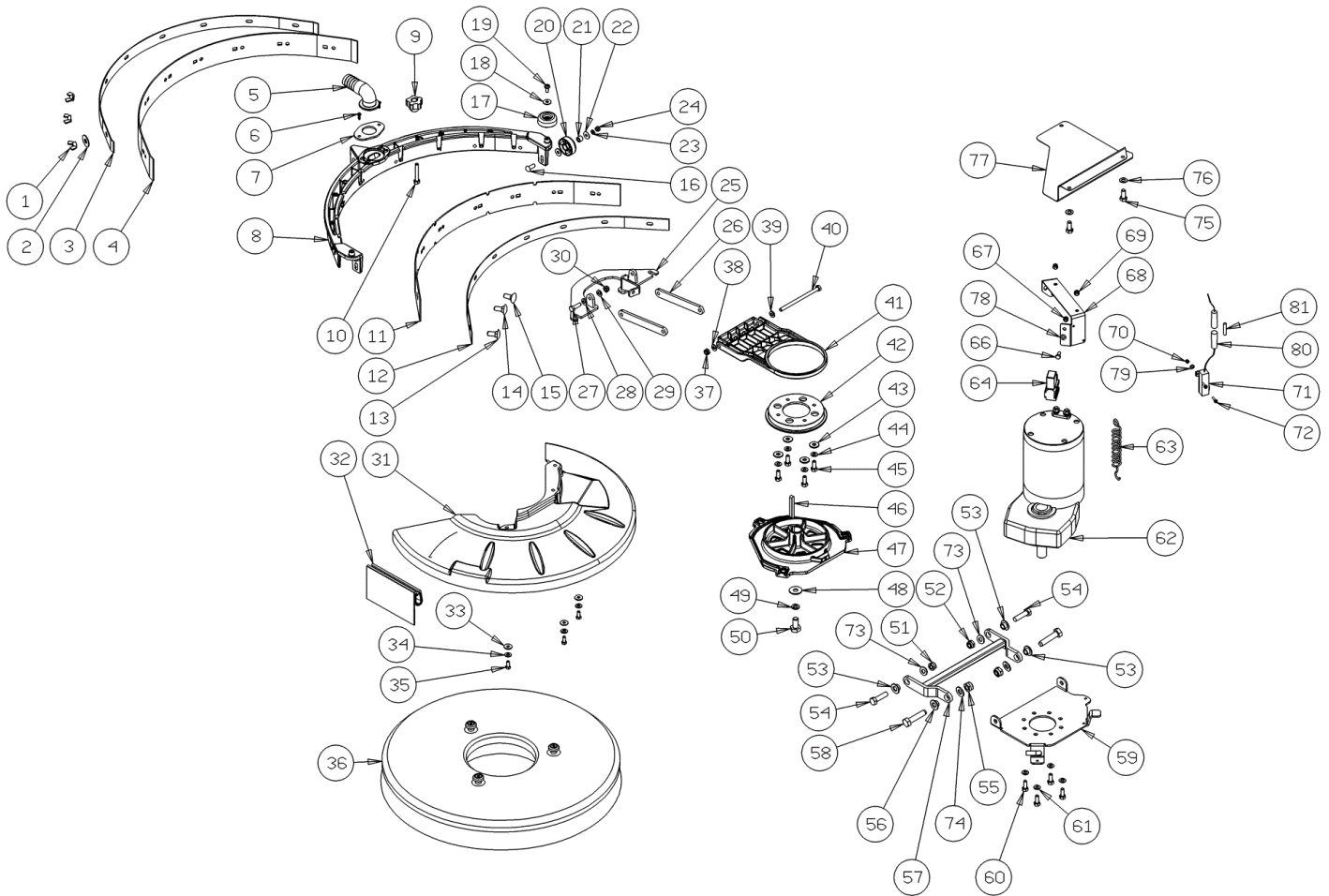
Ref. K	Part N.	Customer Part N.	Description	Qty	Validity:		Price
					From	To	
0001	VTVT01371		SCREW 4,8X19	4,00			--
0002	VTVT01372		SCREW 4,8X25	2,00			--
0003	VTVT01373		SCREW 4,8X38	1,00			--
0004	MPVR05837		HANDLE REAR CT15-CT30	1,00			--
0005	MPVR05486		CRANKCASE -	1,00			--
0006	MPVR05490		LEVER SWITCH ACTIVATION LEFT	1,00			--
0007	MECB01273		WIRING -	1,00		03/2012	--
0007	MECB01308		WIRING -	1,00	03/2012		--
0008	MERL00013		SWITCH -	1,00			--
0009	MPVR05490		LEVER SWITCH ACTIVATION LEFT	1,00			--
0010	MPVR05488		LEVER HANDLE ADJUSTMENT	1,00			--
0011	LAFN09338		TUBE MANICO	1,00			--
0012	VTVT00800		SCREW TC 4X12 ZN	3,00			--
0013	ETET01667		LABEL DASHBOARD CT15-CT30	1,00			--
0014	VTVT01377		SCREW TSP-TC M 3X5 UNI7688 INX	4,00			--
0015	LAFN08891		BRACKET -	1,00			--
0016	VTVR00481		INSERT FILETTATO M6	4,00			--
0017	MECE00554		BOARD LOGIC CT30 24V	1,00			--
0018	VTRS00268		WASHER D.3	4,00			--
0019	VTDD21115		NUT M 3 INOX	4,00			--
0020	MECB01288		CABLE FLAT CT30	1,00			--
0021	VTVT01375		SCREW 5X22	2,00			--
0022	MPVR05925		HOSE COLLAR CT15	1,00			--
0023	MPVR05925		HOSE COLLAR CT15	1,00			--
0024	MPVR49942		LEVER SHK PP	1,00			--
0025	VTRS00251		WASHER 4-16 INOX A2	1,00			--
0026	VTVT00800		SCREW TC 4X12 ZN	1,00			--
0027	MPVR05927		PIN CT15	1,00			--
0028	VTVT01374		SCREW 5X40	1,00			--
0029	MPVR05928		BUSHING CT15	1,00			--
0030	VTVT17639		SCREW TCEI M 5X10 UNI 5931	2,00			--
0031	VTRS08013		WASHER D. 5 GRW	2,00			--
0032	VTDD00042		NUT AUT.M10 UNI7474	1,00			--
0033	VTRS00505		WASHER D.10 TE UNI 6592	1,00			--
0034	LAFN07476		COVER -	1,00			--
0035	GUGO00437		O-RING -	1,00			--
0036	MTIG00125		GEAR -	1,00			--
0037	LAFN07475		SUPPORT -	1,00			--
0038	GUGO00437		O-RING -	1,00			--



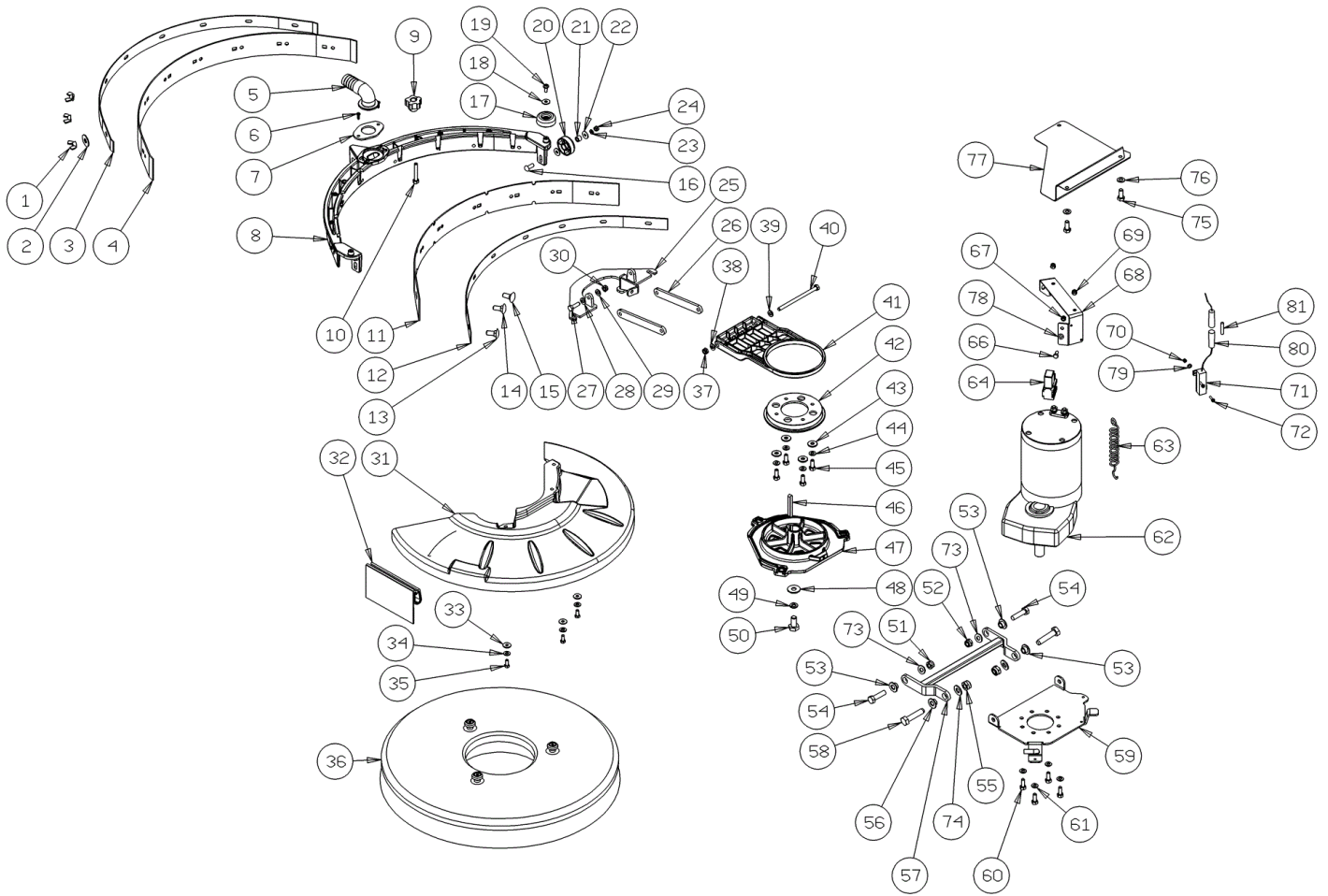
Ref.	K	Part N.	Customer Part N.	Description	Qty	Validity:		Price
						From	To	
0039		LAFN07477		COVER -	1,00			--
0040		LAFN07478		SUPPORT -	1,00			--
0041		VTDD00124		NUT M 8 BASSO	4,00			--
0042		VTVT29810		SCREW TCEI M 8X20 UNI 5931	4,00			--
0043		VTVT01205		SCREW -	1,00			--
0044		MTIG00126		GEAR	1,00			--
0045		MLML00319		SPRING -	1,00			--
0046		LAFN07917		SUPPORT -	1,00			--
0047		LAFN08898		BRACKET -	1,00			--
0048		LAFN07901		FRAME -	1,00			--
0049		LAFN09154		BUSHING CT30	2,00			--
0050		RTRT00537		WHEEL -	2,00			--
0051		VTRS00512		WASHER D. 8 X24 ZC.	2,00			--
0052		VTVT01110		SCREW TE 8X16 UNI5739	2,00			--
0053		LAFN09171		BRACKET -	1,00			--
0054		VTVT15143		SCREW TE 6X16 UNI5739	2,00			--
0055		VTDD01694		NUT M6 INOX	2,00			--
0056		LAFN09172		BUSHING -	1,00			--
0057		MPVR05965		WHEEL -	1,00			--
0058		VTDD00502		NUT M12	1,00			--
0059		VTRS15978		WASHER D.12X24 UNI 6592 INX	2,00			--
0060		RTRT00544		WHEEL D.80MXHC	1,00			--
0061		MPVR05967		CAP -	1,00			--
0062		CMCV00453		CABLE SQUEEGEE LIFT CT15	1,00			--
0063		VTRS00245		WASHER D.6 UNI 6592 INOX	2,00			--
0064		MPVR05926		SUPPORT CT15	1,00			--
0065		MEVR00686		FAIR-LEAD DIAMETER 15.5	1,00			--



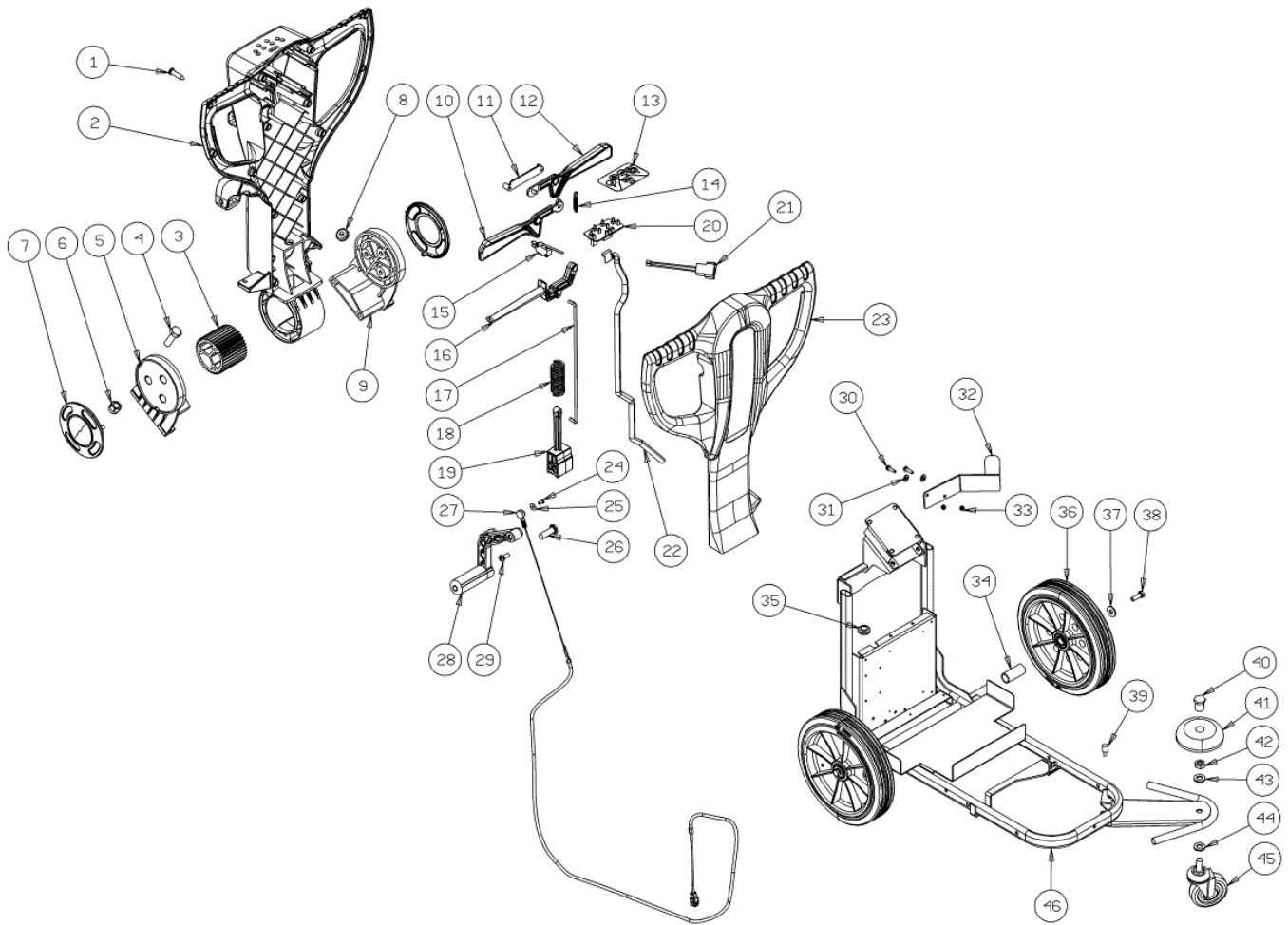
Ref.	K	Part N.	Customer Part N.	Description	Qty	Validity:		Price
						From	To	
0001		VTDD00522		NUT M5	6,00			--
0002		VTRS13750		WASHER D. 5X14 INX	6,00			--
0003		LAFN07908		BRACKET -	1,00			--
0004		MPVR05954		FLAP SQUEEGEE REAR CT30	1,00			--
0005		MPVR05831		CONNECTOR -	1,00			--
0006		VTVT48694		SCREW TCB TC 5 X12 UNI 9707 TZ	2,00			--
0007		LAFN08890		FLANGE -	1,00			--
0008		MPVR05914		FLOOR WIPER -	1,00			--
0009		MPVR05842		SMALL KNOB -	2,00			--
0010		VTVT15515		SCREW TE M 6X 50 INOX A2	2,00			--
0011		MPVR05953		FLAP SQUEEGEE FRONT CT30	1,00			--
0012		LAFN07907		BRACKET -	1,00			--
0013		VTVT01690		SCREW M5x25	2,00			--
0014		VTVT01691		SCREW M5x35	2,00			--
0015		VTVT01691		SCREW M5x35	2,00			--
0016		VTVT01693		SCREW M5x20	3,00			--
0017		MPVR05832		WHEEL -	2,00			--
0018		VTRS13750		WASHER D. 5X14 INX	2,00			--
0019		VTVT48694		SCREW TCB TC 5 X12 UNI 9707 TZ	2,00			--
0020		MPVR05832		WHEEL -	3,00			--
0021		LAFN08913		BUSHING -	3,00			--
0022		VTRS13750		WASHER D. 5X14 INX	6,00			--
0023		VTRS15908		WASHER D. 5 INX GRW UNI 1751	3,00			--
0024		VTDD01693		NUT M 5 INX	3,00			--
0025		LAFN07903		SUPPORT -	1,00			--
0026		LAFN07902		ARM -	2,00			--
0027		VTVT13939		SCREW TE 6X20 UNI5739 INX	2,00			--
0028		VTRS00245		WASHER D.6 UNI 6592 INOX	2,00			--
0029		VTRS00245		WASHER D.6 UNI 6592 INOX	2,00			--
0030		VTDD01694		NUT M6 INOX	2,00			--
0031		MPVR05916		COVER BRUSH HEAD CT30	1,00			--
0032		MPVR05966		FLAP BRUSH SKIRT CT30	1,00			--
0033		VTRS13750		WASHER D. 5X14 INX	3,00			--
0034		VTRS15908		WASHER D. 5 INX GRW UNI 1751	3,00			--
0035		VTVT01300		SCREW TE M5X12 INOX	3,00			--
0036		SPPV01188		BRUSH CT30 NEW	1,00	04/2013		--
0036		SPPV01308		BRUSH CT30	1,00		04/2013	--
0037		VTDD01694		NUT M6 INOX	1,00			--
0038		VTRS00245		WASHER D.6 UNI 6592 INOX	1,00			--



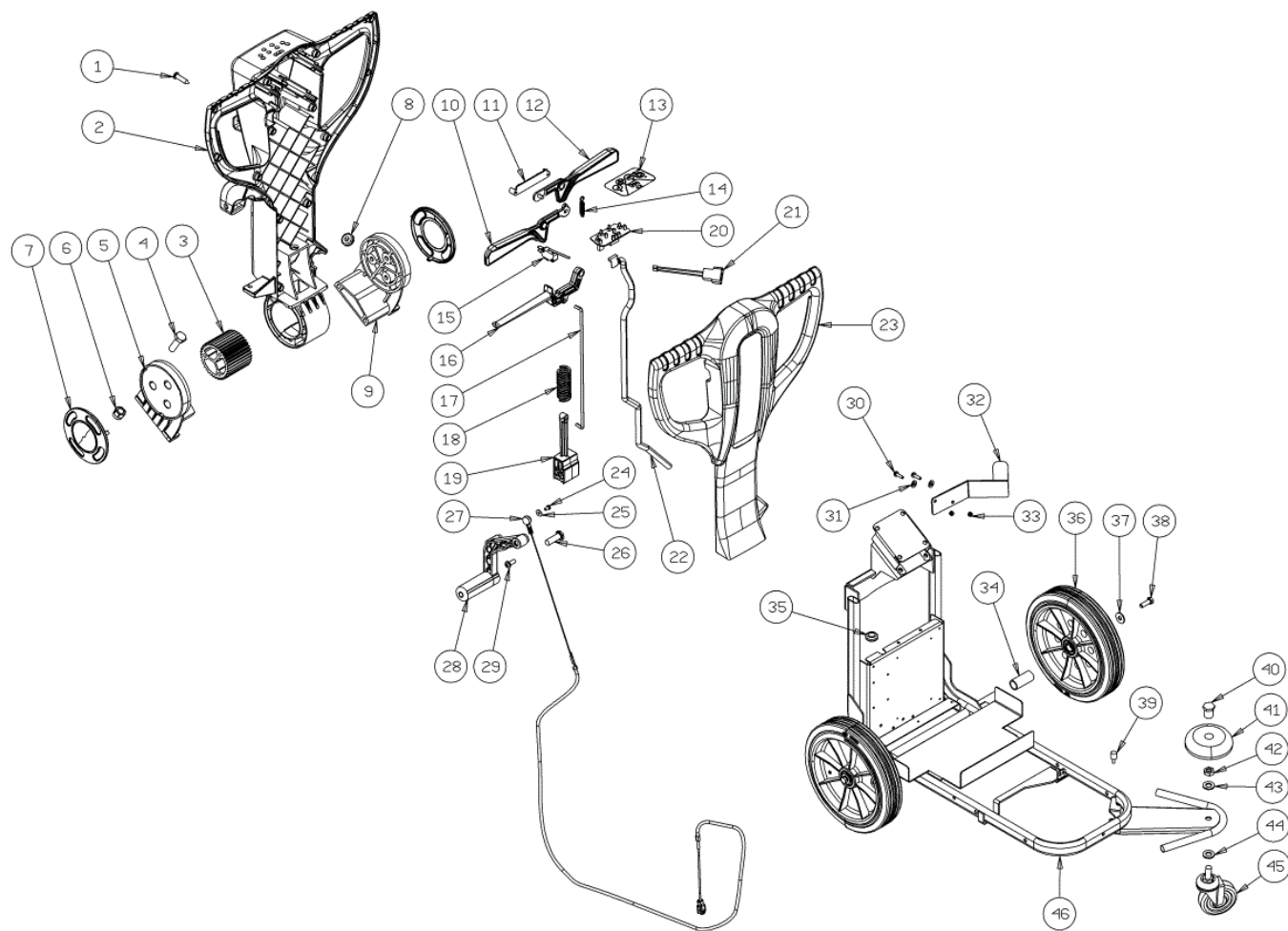
Ref.	K	Part N.	Customer Part N.	Description	Qty	Validity:		Price
						From	To	
0039		VTRS00245		WASHER D.6 UNI 6592 INOX	1,00			--
0040		VTVT01692		SCREW M6X125	1,00			--
0041		MPVR05829		SUPPORT -	1,00			--
0042		MPVR05830		BRACKET -	1,00			--
0043		VTRS13945		WASHER D. 6X18 INX UNI 6593	4,00			--
0044		VTRS15144		WASHER D. 6 INX GRW UNI 1751	4,00			--
0045		VTVT13939		SCREW TE 6X20 UNI5739 INX	4,00			--
0046		VTVR16617		KEY 6X 6X30 UNI 6604	1,00			--
0047		MFVR00212		DRIVE DISK	1,00			--
0048		VTRS13946		WASHER D. 8 X24 INX UNI 6593	1,00			--
0049		VTRS15146		WASHER D. 8 INX GRW UNI 1751	1,00			--
0050		VTVT13938		SCREW TE 8X20 UNI5739 INX	1,00			--
0051		VTDD01695		NUT M 8 INX	1,00			--
0052		VTDD01695		NUT M 8 INX	1,00			--
0053		LAFN06391		BUSHING PARALLELOGRAMMA	3,00			--
0054		VTVT00410		SCREW TE M8x35 UNI5739 INOX	2,00			--
0055		VTDD01695		NUT M 8 INX	2,00			--
0056		LAFN51068	#8479.90.9498	BUSHING LEVA POSTER.	1,00			--
0057		LAFN07910		BRACKET -	1,00			--
0058		VTVT15907		SCREW TE 8X25 UNI5739 INX	2,00			--
0059		LAFN07905		SUPPORT -	1,00			--
0060		VTVT15906		SCREW TE 6X 12 A2 UNI 5739	4,00			--
0061		VTRS15144		WASHER D. 6 INX GRW UNI 1751	4,00			--
0062		MOCC00406		MOTOR BRUSH CT30B	1,00			--
0062		MOCC00431		MOTOR CT30 B	1,00	03/2013	03/2013	--
0063		MLML00065		SPRING L0=80 De=12 Df=1.7	1,00		10/2013	--
0063		MLML00340		SPRING -	1,00	10/2013		--
0064		MECI00005		RELAY 24V 10/20A	1,00			--
0066		VTVT34115		SCREW TE M 5X 10 UNI 5739	1,00			--
0067		VTDD01693		NUT M 5 INX	1,00			--
0068		LAFN07906		BRACKET -	1,00			--
0069		VTDD00128		SELF-LOCJ.NUT M5	2,00			--
0070		VTDD21115		NUT M 3 INOX	2,00			--
0071		MEVR02066		RESISTANCE 3,3ohm 50W	1,00			--
0072		VTVT00743		SCREW TC+ M. 3-8	2,00			--
0073		VTRS13947		WASHER D. 8 INX UNI 6592	2,00			--
0074		VTRS13947		WASHER D. 8 INX UNI 6592	4,00			--
0075		VTVT34115		SCREW TE M 5X 10 UNI 5739	3,00			--
0076		VTRS13750		WASHER D. 5X14 INX	3,00			--



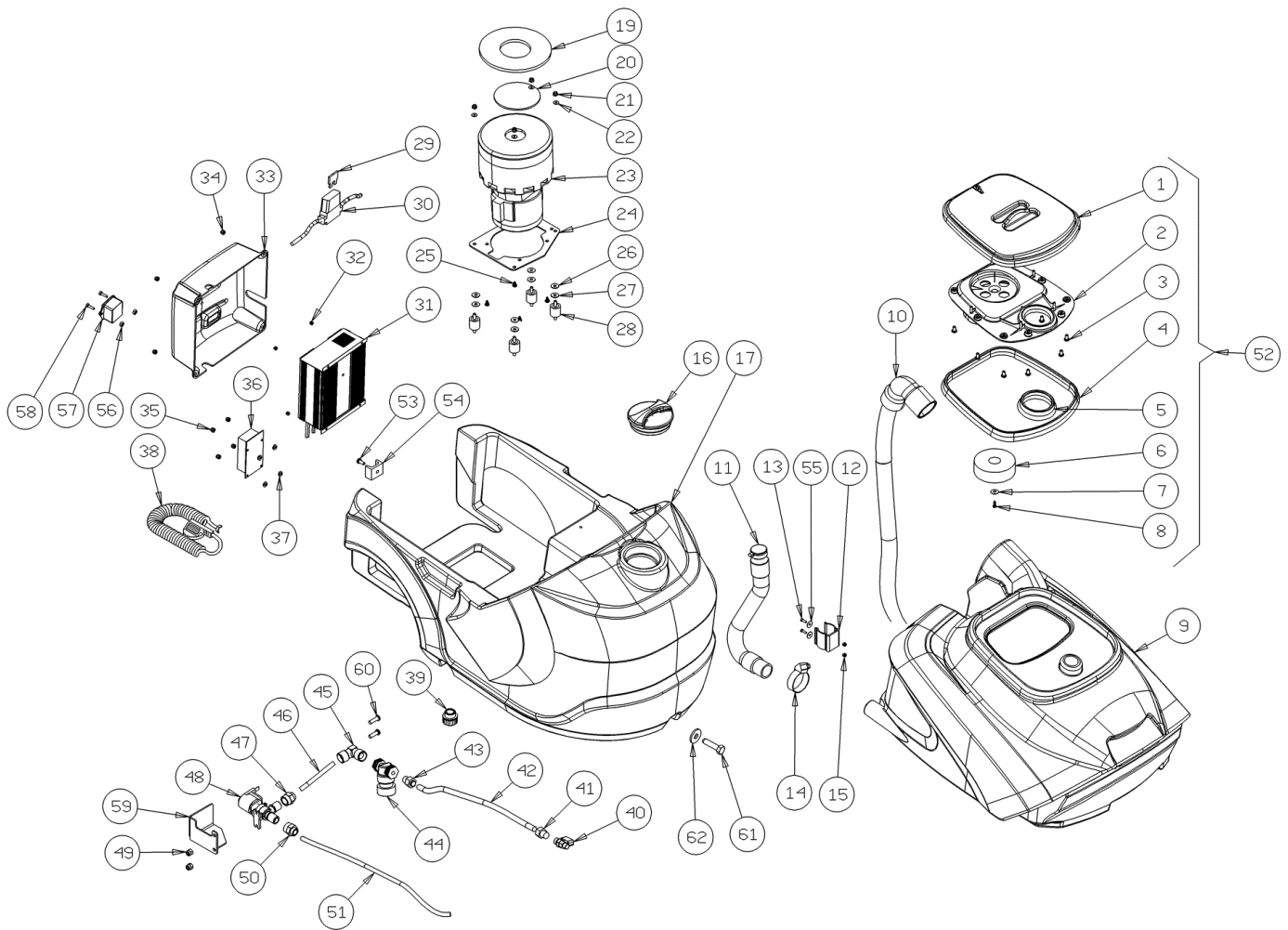
Ref.	K	Part N.	Customer Part N.	Description	Qty	Validity:		Price
						From	To	
0077		MPVR05957		PROTECTION -	1,00			--
0078		VTRS13750		WASHER D. 5X14 INX	1,00			--
0079		VTRS27296		WASHER GROWER 3 ZNT	2,00			--
0080		MEVR00080		FUSE-HOLDER PV610 10A	1,00	03/2012		--
0081		MEVR01747		FUSE 6X32 2,8A T	1,00	03/2012		--



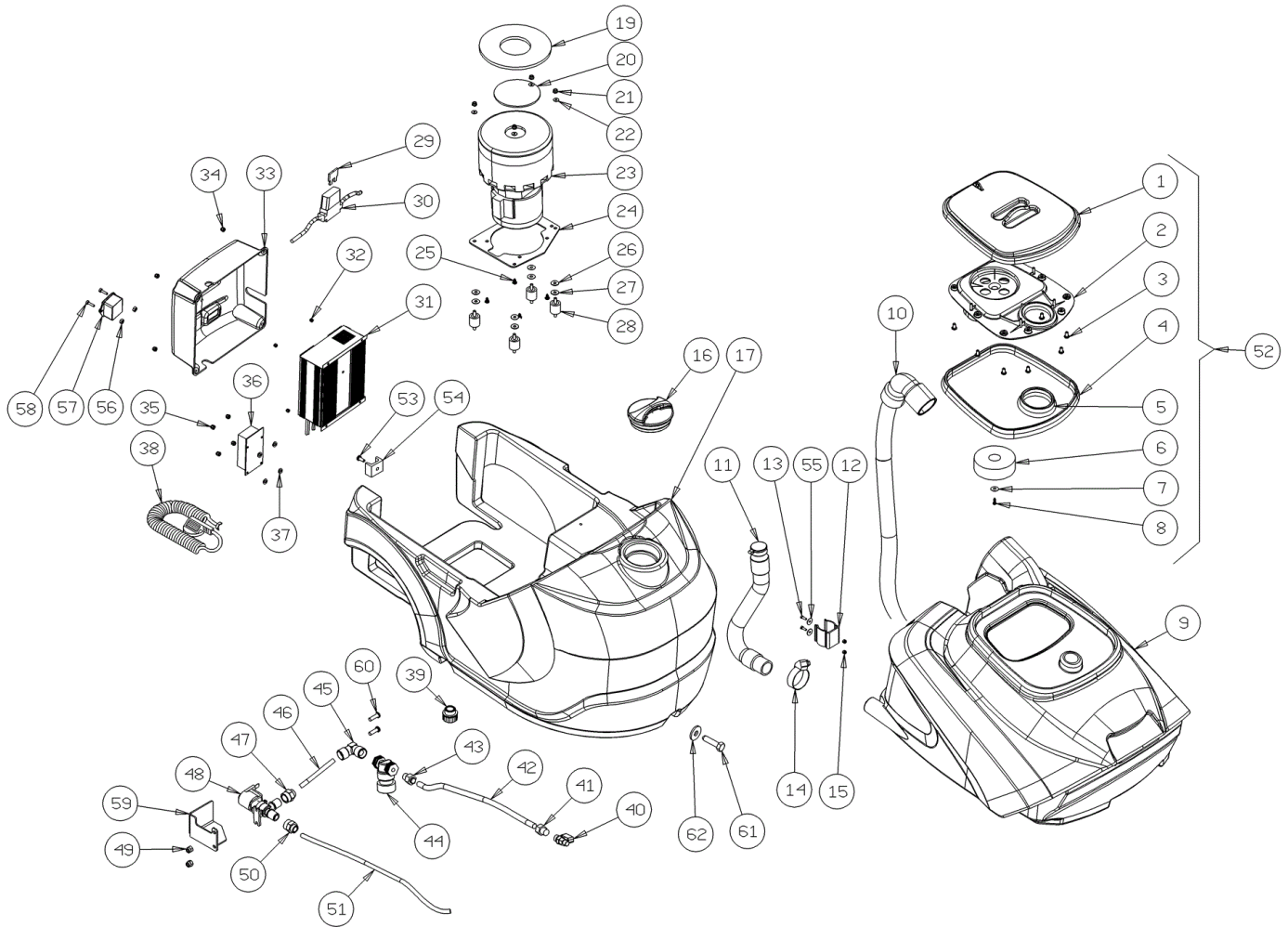
Ref.	K	Part N.	Customer Part N.	Description	Qty	Validity:		Price
						From	To	
0001		VTVT01371		SCREW 4,8X19	14,00			--
0002		MPVR06047		CRANKCASE -	1,00			--
0003		MPVR06056		GEAR -	1,00			--
0004		VTVT75724		SCREW TBEI M 8X 22 ISO 7380 ZB	4,00			--
0005		MPVR06053		SHELL DX	1,00			--
0006		VTDD00124		NUT M 8 BASSO	4,00			--
0007		MPVR06055		COVER -	2,00			--
0008		MPVR06057		FAIR-LEAD -	1,00			--
0009		MPVR06054		SHELL SX	1,00			--
0010		MPVR06049		LEVER DX	1,00			--
0011		MPVR06298		COVER CT55	1,00			--
0012		MPVR06048		LEVER SX	1,00			--
0013		ETET01780		LABEL -	1,00			--
0014		MLML00336		SPRING -	1,00			--
0015		MECI36393		MICROSWITCH TRZ. DRW	1,00			--
0016		MPVR06050		LEVER ADJUSTMENT	1,00			--
0017		LAFN09221		LEVER RINVIO	1,00			--
0018		MLML00337		SPRING -	1,00			--
0019		MPVR06052		HANDLE SUPPORT	1,00			--
0020		MECE00554		BOARD LOGIC CT30 24V	1,00			--
0021		MECB01325		WIRING PUSH BOTTON CT45 B	1,00			--
0022		MECB01326		WIRING FLAT CABLE CT45	1,00			--
0023		MPVR06046		CRANKCASE -	1,00			--
0024		VTVT00800		SCREW TC 4X12 ZN	1,00			--
0025		VTRS00251		WASHER 4-16 INOX A2	1,00			--
0026		LAFN09248		PIN -	1,00			--
0027		CMCV00463		CABLE SOLLEVAMENTO TERGI	1,00			--
0028		MPVR49942		LEVER SHK PP	1,00			--
0029		VTVT00796		SCREW TC 6X12	1,00			--
0030		VTVT15143		SCREW TE 6X16 UNI5739	2,00			--
0031		VTRS00245		WASHER D.6 UNI 6592 INOX	2,00			--
0032		LAFN09171		BRACKET -	1,00			--
0033		VTDD01694		NUT M6 INOX	2,00			--
0034		LAFN09154		BUSHING CT30	2,00			--
0035		MEVR00686		FAIR-LEAD DIAMETER 15.5	1,00			--
0036		RTRT00537		WHEEL -	2,00			--
0037		VTRS00512		WASHER D. 8 X24 ZC.	2,00			--
0038		VTVT01110		SCREW TE 8X16 UNI5739	2,00			--
0039		MPVR05967		CAP -	1,00			--



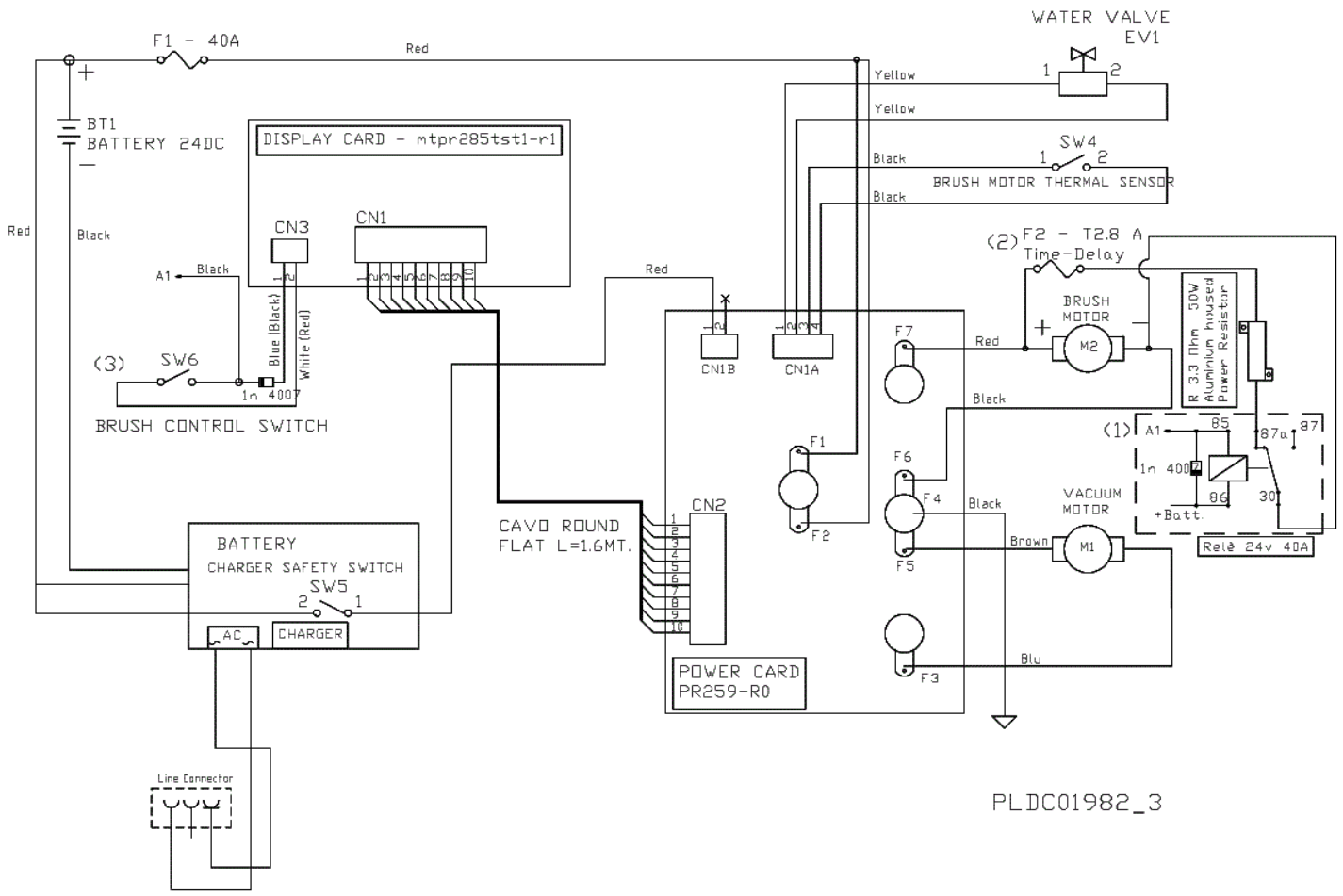
Ref. K	Part N.	Customer Part N.	Description	Qty	Validity:		Price
					From	To	
0040	LAFN09172		BUSHING -	1,00			--
0041	MPVR05965		WHEEL -	1,00			--
0042	VTDD00502		NUT M12	1,00			--
0043	VTRS15978		WASHER D.12X24 UNI 6592 INX	1,00			--
0044	VTRS15978		WASHER D.12X24 UNI 6592 INX	1,00			--
0045	RTRT00544		WHEEL D.80MXHC	1,00			--
0046	LAFN07901		FRAME -	1,00			--



Ref.	K	Part N.	Customer Part N.	Description	Qty	Validity:		Price
						From	To	
0001		MPVR05825		COVER -	1,00			--
0002		MPVR05826		COVER -	1,00			--
0003		VTVT01694		SCREW TCB TC 5 X10 UNI 9707 TZ	8,00			--
0004		GUVR00306		GASKET -	1,00			--
0005		GUVR00307		GASKET -	1,00			--
0006		MPVR05836		FLOATER -	1,00			--
0007		VTRS00573		WASHER 30x6x3	1,00			--
0008		VTVT48694		SCREW TCB TC 5 X12 UNI 9707 TZ	1,00			--
0009		MPVR05912		TANK RECOVERY CT30 PANTONE 368	1,00			--
0010		TBFX00351		TUBE SUCTION CT15-CT30	1,00			--
0011		TBFX00350		TUBE HOSE DRAIN CT30	1,00			--
0012		MPVR46988		CLIP LAV. SHK	1,00			--
0013		VTVT29884		SCREW TE M 4X 16 UNI 5739	2,00			--
0014		FSVR00002		CLAMP EKOFLEX 9 23-35	1,00			--
0015		VTDD04369		NUT M 4 TEF UNI 7473	2,00			--
0016		MPVR05188		CAP -	1,00			--
0017		MPVR05913		TANK SOLUTION CT30 RAL7024	1,00			--
0019		GUGO00444		GASKET -	1,00			--
0020		LAFN05830		NET FERMA FILTRO INOX	1,00			--
0021		VTDD07727		NUT M 5 INOX	4,00			--
0022		VTRS15908		WASHER D. 5 INX GRW UNI 1751	4,00			--
0023		MEVR05200		CARBON MOTORE ASP.AMET.116599-13	2,00			--
0023		MOCC00397		MOTOR VACUUM CT15-CT30	1,00			--
0024		LAFN08894		PLATE -	1,00			--
0025		VTVT48694		SCREW TCB TC 5 X12 UNI 9707 TZ	4,00			--
0026		VTRS13750		WASHER D. 5X14 INX	4,00			--
0027		VTRS13750		WASHER D. 5X14 INX	4,00			--
0028		ABGO00052		VIBRATION DAMP.-	4,00			--
0029		MEVR02048		FUSE 40A	1,00			--
0030		MECB01286		WIRING FUSE HOLDER CT30 BATTERY	1,00			--
0031		BACA00156		BATTERY-CHARGER24V 10A CT30	1,00		02/2013	--
0031		BACA00166		BATTERY-CHARGER24V 10A CT30	1,00	02/2013		--
0032		VTDD00001		NUT UNI 5588 M3 ZB	4,00			--
0033		MPVR05915		COVER -	1,00			--
0034		VTDD04368		NUT M 4 ZIN UNI 5588	4,00			--
0035		VTDD04368		NUT M 4 ZIN UNI 5588	4,00			--
0036		MECE00529		BOARD POWER CT15-CT30	1,00		04/2013	--
0036		MECE00578		BOARD POWER CT15-CT30	1,00	04/2013		--
0037		VTRS00377		WASHER M4	4,00			--



Ref. K	Part N.	Customer Part N.	Description	Qty	Validity:		Price
					From	To	
0038	MECB00923		EXTENSION AWG18 US PLUG	1,00			--
0039	MPVR08003		CAP	1,00			--
0040	RCGR00081		VALVE -	1,00			--
0041	RCVR00770		CONNECTOR 1/8	1,00			--
0042	TBBP00481		TUBE -	0,32			--
0043	RCVR00771		CONNECTOR 1/4	1,00		09/2013	--
0043	RCVR00789		CONNECTOR -	1,00	09/2013		--
0044	FTAC00042		FILTER -	1,00		02/2012	--
0044	FTAC00044		FILTER CT15-CT30	1,00	02/2012		--
0045	RCVR00773		CONNECTOR 1/4	1,00			--
0046	TBBP00481		TUBE -	0,20			--
0047	RCVR00772		CONNECTOR 1/4	1,00			--
0048	PMVR01983		SOLENOID VALVE CT30	1,00			--
0049	VTDD00055		NUT M 4 ATB A2	2,00	05/2013		--
0049	VTVT48694		SCREW TCB TC 5 X12 UNI 9707 TZ	2,00		05/2013	--
0050	RCVR00772		CONNECTOR 1/4	1,00			--
0051	TBBP00481		TUBE -	0,48			--
0052	KTRI01989		KIT RECOVERY LID	1,00			--
0053	VTVT00311		SCREW TE M4X12	1,00			--
0054	FSVR00243		CLAMP 20/30	1,00			--
0055	VTRS05904		WASHER D. 4 X16 2.083	2,00			--
0056	VTDD00001		NUT UNI 5588 M3 ZB	2,00			--
0057	MEVR02074		PLUG IEC	1,00			--
0058	VTVT00035		SCREW M 3X 8 TS TC ZC	2,00			--
0059	LAFN07948		PROTECTION ELETTROVALVOLA	1,00	05/2013		--
0060	VTVT15924		SCREW M 4X 16 TCB-TC UNI 7687	2,00	05/2013		--
0061	VTVT01376		SCREW TE M 5X 35 UNI 5739	1,00			--
0062	VTRS13750		WASHER D. 5X14 INX	1,00			--



PLDC01982_3

Ref.	K	Part N.	Customer Part N.	Description	Qty	Validity:		Price
						From	To	
EV1		MEEV00042		SOLENOID VALVE	1,00			--
F1		MEVR02048		FUSE 40A	1,00			--
M1		MOCC00397		MOTOR VACUUM CT15-CT30	1,00			--
M2		MOCC00406		MOTOR BRUSH CT30B	1,00			--