



Electronic Service Manuals

This electronic document is provided as a service to our customers. We do not create the contents of the information contained in this document. Should you have detailed questions pertaining to the information contained in this document, you may contact Michco, or the manufacturer which provided the original information in this electronic deliverable. Michco's only part in this electronic deliverable was the electronic assembly process. By providing this manual on line we are not guaranteeing parts availability.

You may contact Michco through the following methods:

Phone (517) 484-9312 or (800) 331-3339

2011 N. High St. -- Lansing, Michigan -- 48906

Fax: (517) 484-9836

Email: CustServe@Michco.com

Web site: www.Michco.Com

Parts Web site: www.FloorMachineParts.Com

Order Parts on Line at:

www.FloorMachineParts.Com

Directly to Parts & Service:

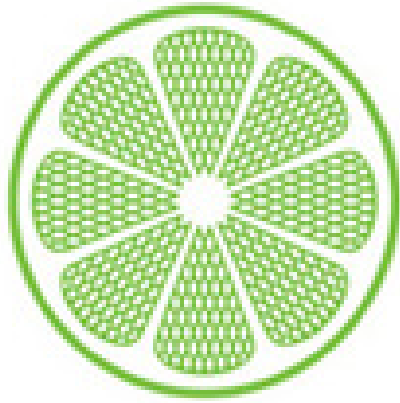
By Email: **Shop@Michco.com**

By Fax: (517) 702-2041

By Voice: Use numbers above.

Serving the Cleaning Industry Since 1922

Notice: All copyrighted material remains property of original owners, all trademarks are property of respective owners. Manuals are subject to Manufacturer's reproduction limitations. Originals or reproductions were provided by manufacturers through a request. We make no warranty as to the correctness of information provided in this document and you assume all risk. By placing these manuals on line we are not declaring our corporation to be an manufacturer authorized dealer or provider, please check our web site for authorized manufacturers we represent.



IPC Integrated Professional Cleaning

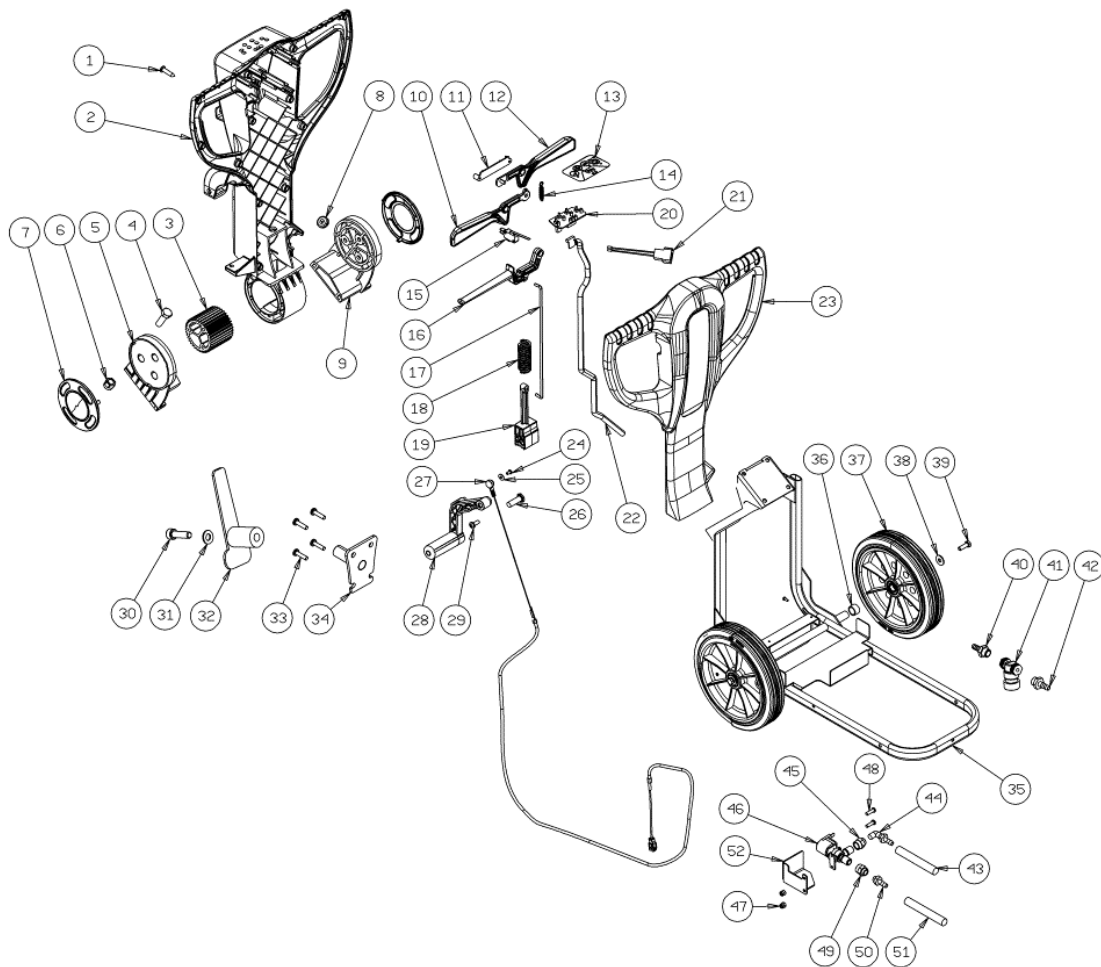
IPC Gansow

Spare Parts List

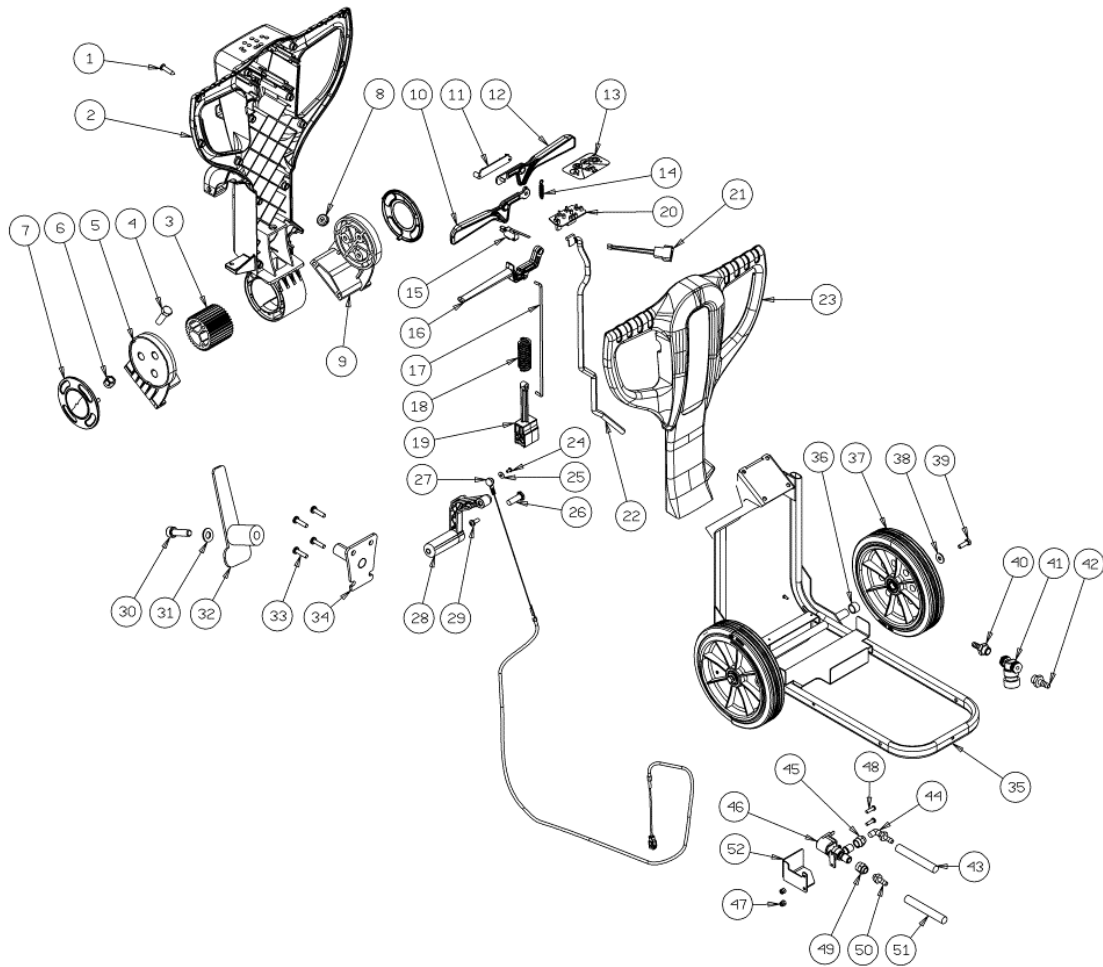
IPC EAGLE

Ref: LPTE00541

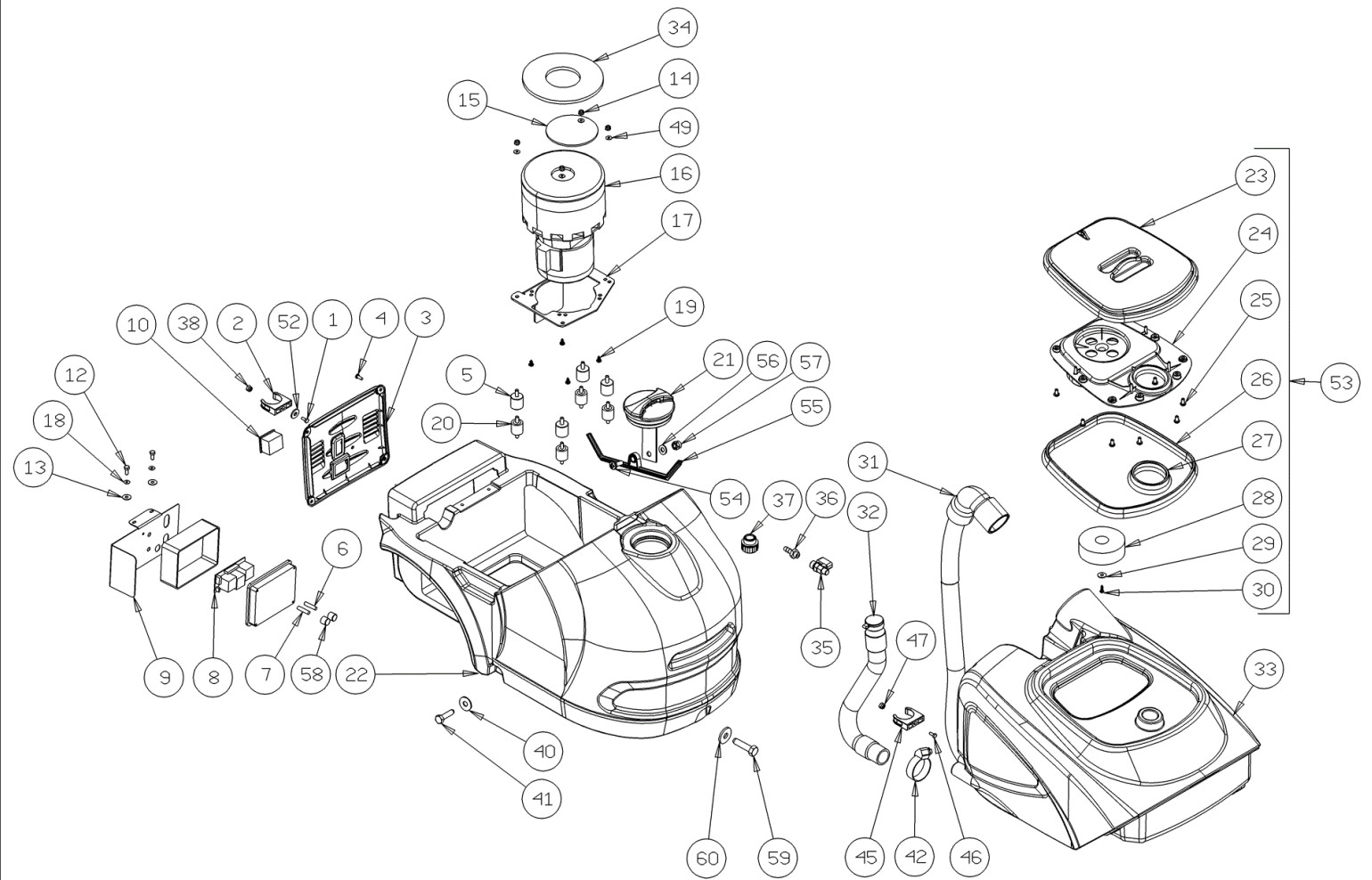
Model: CT15 C35 115V GR/VE



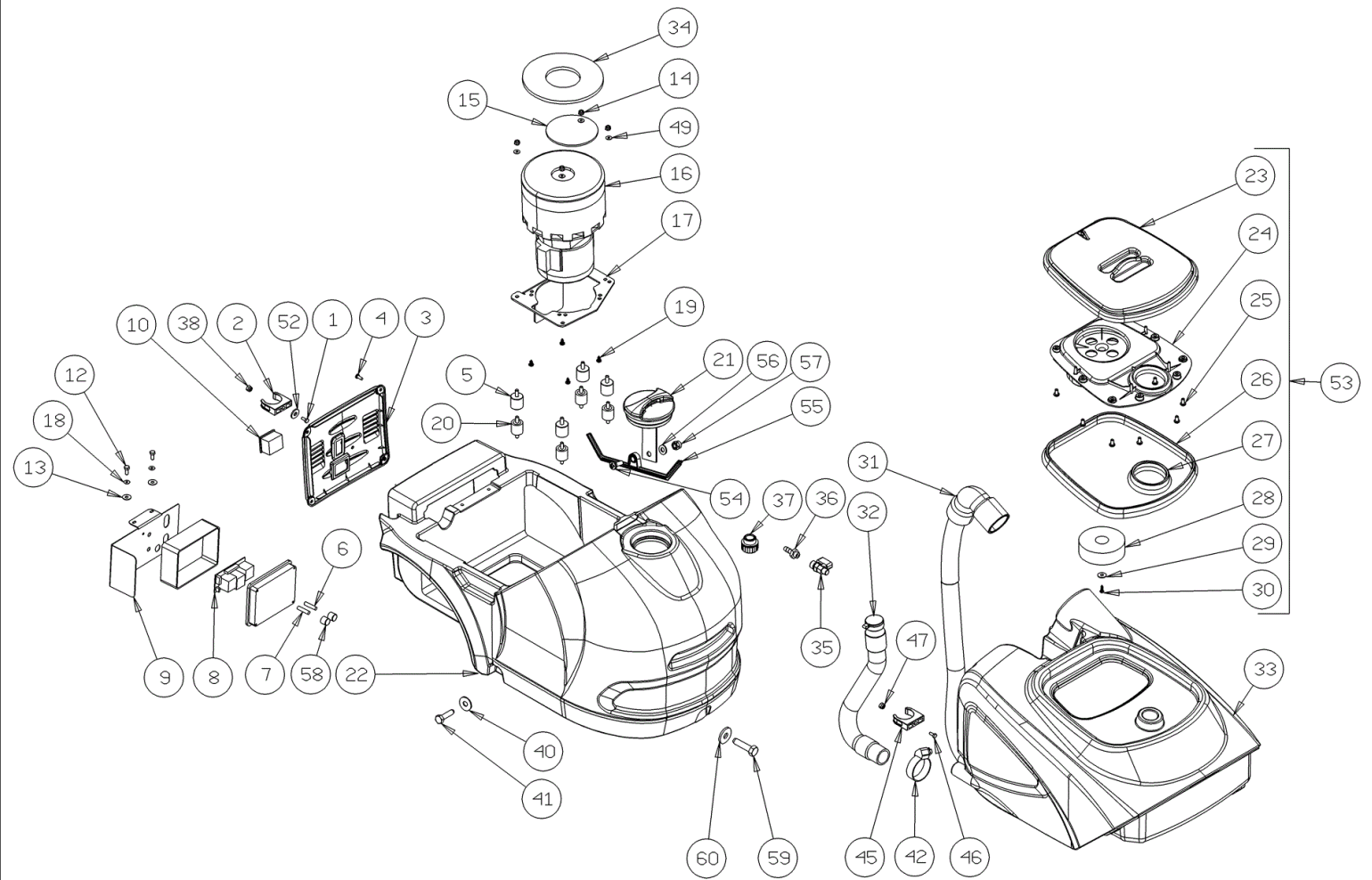
Ref. K	Part N.	Customer Part N.	Description	Qty	Validity:		Price
					From	To	
0001	VTVT01371		SCREW 4,8X19	14,00			--
0002	MPVR06047		CRANKCASE -	1,00			--
0003	MPVR06056		GEAR -	1,00			--
0004	VTVT75724		SCREW TBEI M 8X 22 ISO 7380 ZB	4,00			--
0005	MPVR06053		SHELL DX	1,00			--
0006	VTDD00124		NUT M 8 BASSO	4,00			--
0007	MPVR06055		COVER -	2,00			--
0008	MPVR06057		FAIR-LEAD -	1,00			--
0009	MPVR06054		SHELL SX	1,00			--
0010	MPVR06049		LEVER DX	1,00			--
0011	MPVR06298		COVER CT55	1,00			--
0012	MPVR06048		LEVER SX	1,00			--
0013	ETET01781		LABEL -	1,00			--
0014	MLML00336		SPRING -	1,00			--
0015	MECI36393		MICROSWITCH TRZ. DRW	1,00			--
0016	MPVR06050		LEVER ADJUSTMENT	1,00			--
0017	LAFN09221		LEVER RINVIO	1,00			--
0018	MLML00337		SPRING -	1,00			--
0019	MPVR06052		HANDLE SUPPORT	1,00			--
0020	MECE00537		BOARD LOGIC CT15-CT30 230V	1,00			--
0021	MECB01324		WIRING PUSH BOTTON CT45 C	1,00			--
0022	MECB01257		CABLE RIBBON CT15	1,00			--
0023	MPVR06046		CRANKCASE -	1,00			--
0024	VTVT00800		SCREW TC 4X12 ZN	1,00			--
0025	VTRS00251		WASHER 4-16 INOX A2	1,00			--
0026	LAFN09248		PIN -	1,00			--
0027	CMCV00463		CABLE SOLLEVAMENTO TERGI	1,00			--
0028	MPVR49942		LEVER SHK PP	1,00			--
0029	VTVT00796		SCREW TC 6X12	1,00			--
0030	VTVT63035		SCREW TCEI M8X25 BRUNITA	1,00			--
0031	VTRS00230		WASHER D. 8	1,00			--
0032	MPVR34714		CABLE SUPPORT E 350	1,00			--
0033	VTVT48694		SCREW TCB TC 5 X12 UNI 9707 TZ	4,00			--
0034	LAFN09222		BRACKET -	1,00			--
0035	LAFN08895		FRAME -	1,00			--
0036	LAFN08915		BUSHING -	2,00			--
0037	RTRT00537		WHEEL -	2,00			--
0038	VTRS00512		WASHER D. 8 X24 ZC.	2,00			--
0039	VTVT01110		SCREW TE 8X16 UNI5739	2,00			--



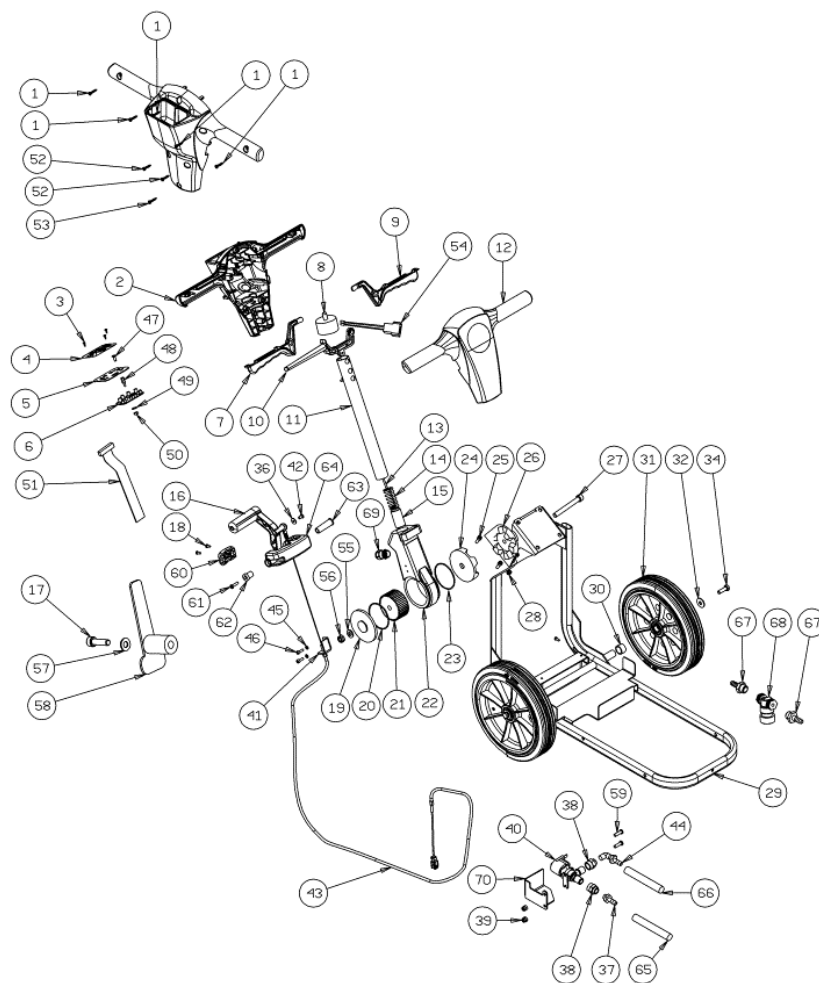
Ref. K	Part N.	Customer Part N.	Description	Qty	Validity:		Price
					From	To	
0040	RCVR00780		HOSE FITTING 1/4"	1,00		05/2013	--
0040	RCVR00786		CONNECTOR -	1,00	05/2013		--
0041	FTAC00044		FILTER CT15-CT30	1,00			--
0042	RCVR00780		HOSE FITTING 1/4"	1,00		05/2013	--
0042	RCVR00786		CONNECTOR -	1,00	05/2013		--
0043	TBBP00482		TUBE -	1,00			--
0044	RCVR00004		CONNECTOR PORTAGOMMA 1/8" D.7	1,00	01/2014		--
0044	RCVR00084		CONNECTOR A "L"	1,00		01/2014	--
0045	RCDS00045		CONNECTOR -	1,00			--
0046	PMVR01949		SOLENOID VALVE CT15	1,00			--
0047	VTDD00055		NUT M 4 ATB A2	2,00	05/2013		--
0047	VTVT48694		SCREW TCB TC 5 X12 UNI 9707 TZ	2,00		05/2013	--
0048	VTRS00274		WASHER NYLON 66 D.8,4-17-2 UNI	2,00		05/2013	--
0048	VTVT15924		SCREW M 4X 16 TCB-TC UNI 7687	2,00	05/2013		--
0049	RCDS00045		CONNECTOR -	1,00			--
0050	RCVR00004		CONNECTOR PORTAGOMMA 1/8" D.7	1,00			--
0051	TBBP00483		TUBE -	1,00			--
0052	LAFN07948		PROTECTION ELETTRIVALVOLA	1,00	05/2013		--



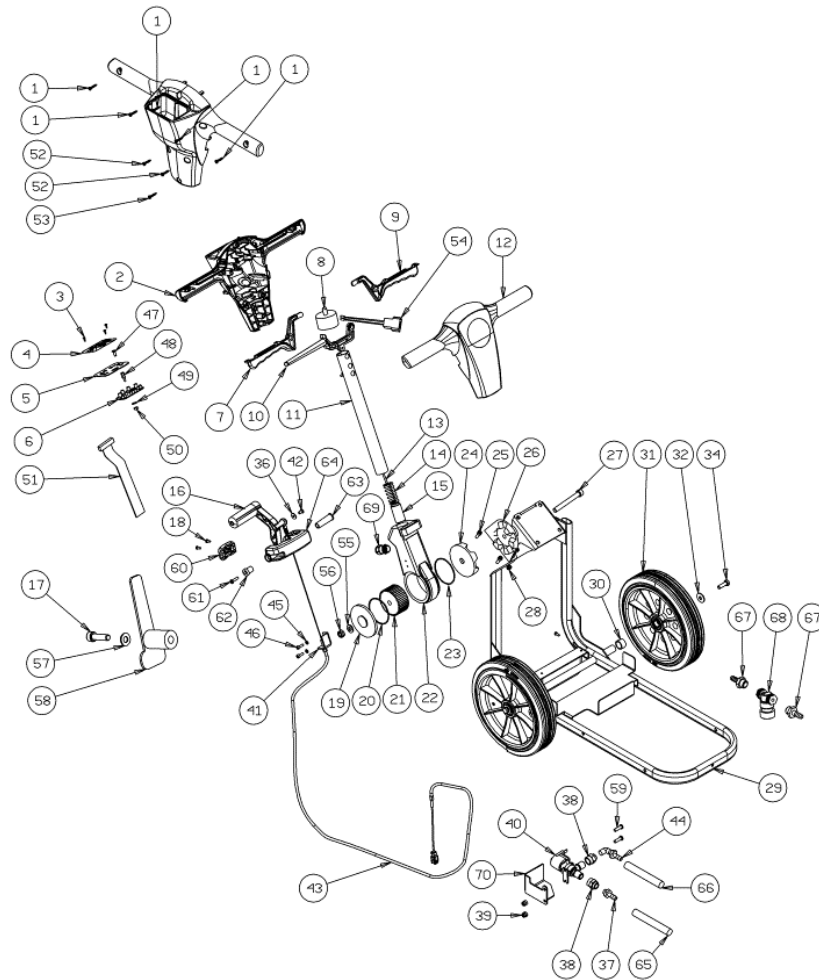
Ref.	K	Part N.	Customer Part N.	Description	Qty	Validity:		Price
						From	To	
0001		VTVT29884		SCREW TE M 4X 16 UNI 5739	1,00		02/2012	--
0002		MPVR05841		CLIP -	1,00		02/2012	--
0003		MPVR05828		COVER -	1,00			--
0004		VTVT75733		SCREW TBEI M 5X 12 ISO 7380 ZB	4,00			--
0005		LAFN08967		SPACER CT15-30	4,00			--
0006		MEVR02078		FUSE 4A 6.3X32 RAPID	1,00			--
0007		MEVR02090		FUSE 16A	1,00			--
0008		KTRI02112		KIT KCS080	1,00			--
0009		LAFN08980		PLATE -	1,00			--
0010		MPVR00073		CAP CIECO NERO 22X30	1,00			--
0012		VTVT34115		SCREW TE M 5X 10 UNI 5739	2,00			--
0013		VTRS13750		WASHER D. 5X14 INX	2,00			--
0014		VTDD07727		NUT M 5 INOX	4,00			--
0015		LAFN05830		NET FERMA FILTRO INOX	1,00			--
0016		MOMO00247		MOTOR 115V	1,00			--
0017		LAFN08062		AXLE -	1,00	03/2013		--
0017		LAFN08894		PLATE -	1,00		03/2013	--
0018		VTRS08013		WASHER D. 5 GRW	2,00			--
0019		VTVT48694		SCREW TCB TC 5 X12 UNI 9707 TZ	4,00			--
0020		ABGO00052		VIBRATION DAMP.-	4,00			--
0021		MPVR05188		CAP -	1,00			--
0022		MPVR05824		TANK SOLUTION CT15	1,00			--
0023		MPVR05825		COVER -	1,00			--
0024		MPVR05826		COVER -	1,00			--
0025		VTVT01694		SCREW TCB TC 5 X10 UNI 9707 TZ	8,00			--
0026		GUVR00306		GASKET -	1,00			--
0027		GUVR00307		GASKET -	1,00			--
0028		MPVR05836		FLOATER -	1,00			--
0029		VTRS00573		WASHER 30x6x3	1,00			--
0030		VTVT48694		SCREW TCB TC 5 X12 UNI 9707 TZ	1,00			--
0031		TBFX00345		TUBE CT15	1,00		10/2011	--
0031		TBFX00351		TUBE SUCTION CT15-CT30	1,00	10/2011		--
0032		TBFX00346		TUBE CT15	1,00			--
0033		MPVR05823		TANK RECOVERY CT15	1,00			--
0034		GUGO00444		GASKET -	1,00			--
0035		RCGR00008		VALVE A SFERA MF 1/8"	1,00			--
0036		RCVR00004		CONNECTOR PORTAGOMMA 1/8" D.7	1,00			--
0037		MPVR08003		CAP -	1,00			--
0038		VTDD04369		NUT M 4 TEF UNI 7473	1,00		02/2012	--



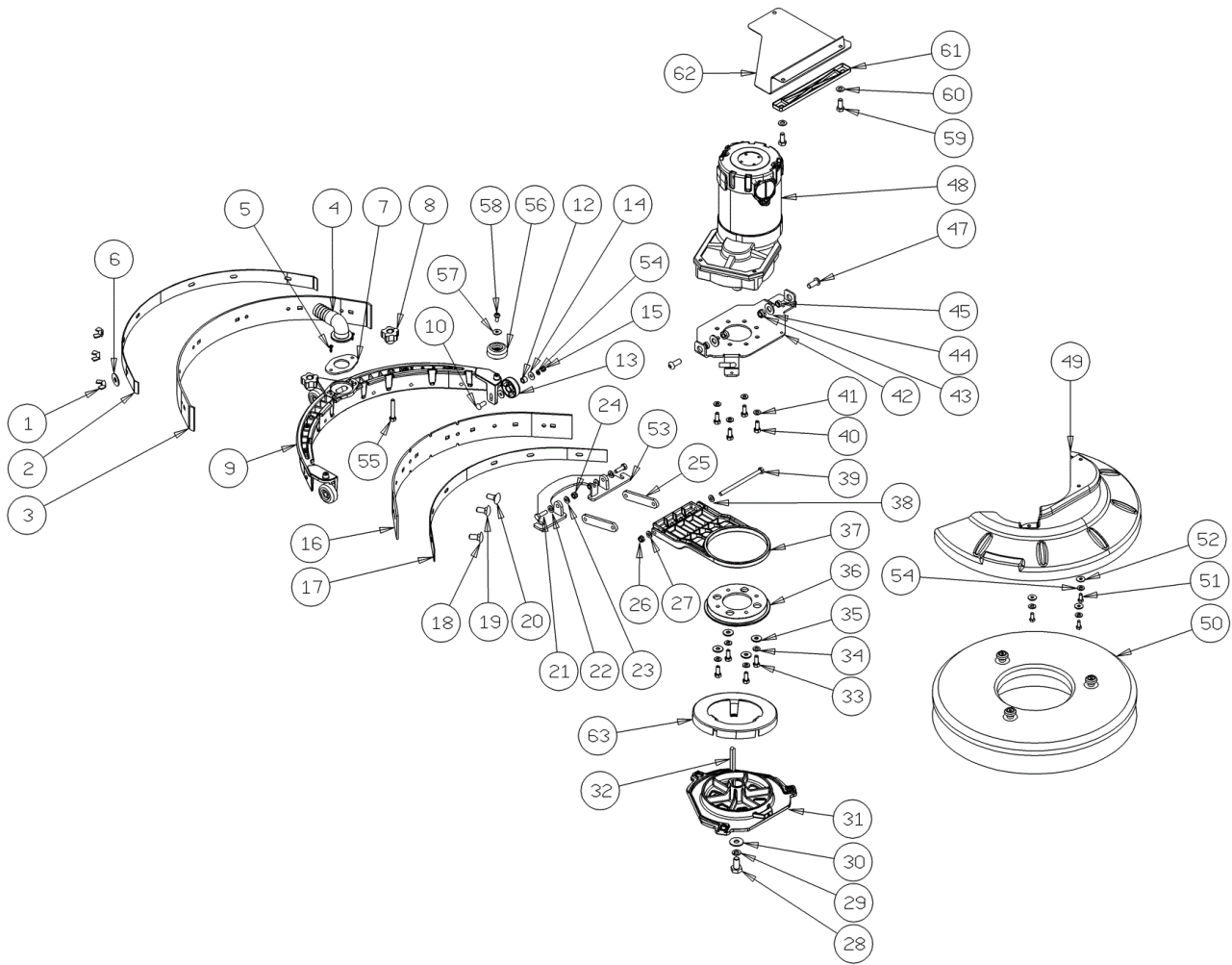
Ref. K	Part N.	Customer Part N.	Description	Qty	Validity:		Price
					From	To	
0040	VTRS13750		WASHER D. 5X14 INX	3,00			--
0041	VTVT01376		SCREW TE M 5X 35 UNI 5739	3,00			--
0042	FSVR00002		CLAMP EKOFLEX 9 23-35	1,00			--
0045	MPVR05841		CLIP -	1,00		02/2012	--
0045	MPVR05996		CLIP -	1,00	03/2012		--
0046	VTVT00727		SCREW TE M. 4-20	1,00		02/2012	--
0046	VTVT29884		SCREW TE M 4X 16 UNI 5739	1,00	03/2012		--
0047	VTDD04369		NUT M 4 TEF UNI 7473	1,00			--
0049	VTRS15908		WASHER D. 5 INX GRW UNI 1751	4,00			--
0052	VTRS05904		WASHER D. 4 X16 2.083	1,00		02/2012	--
0053	KTRI01989		KIT RECOVERY LID	1,00			--
0054	VTVT15965		SCREW TCB-TC 4X12 UNI7687 INX	1,00			--
0055	MPVR08038		PLATE CT15-30	1,00			--
0056	VTRS00515		WASHER D. 4 INX	1,00			--
0057	VTDD00055		NUT M 4 ATB A2	1,00			--
0058	MEVR02091		FUSE-HOLDER -	2,00			--
0059	VTVT01376		SCREW TE M 5X 35 UNI 5739	1,00			--
0060	VTRS13750		WASHER D. 5X14 INX	1,00			--



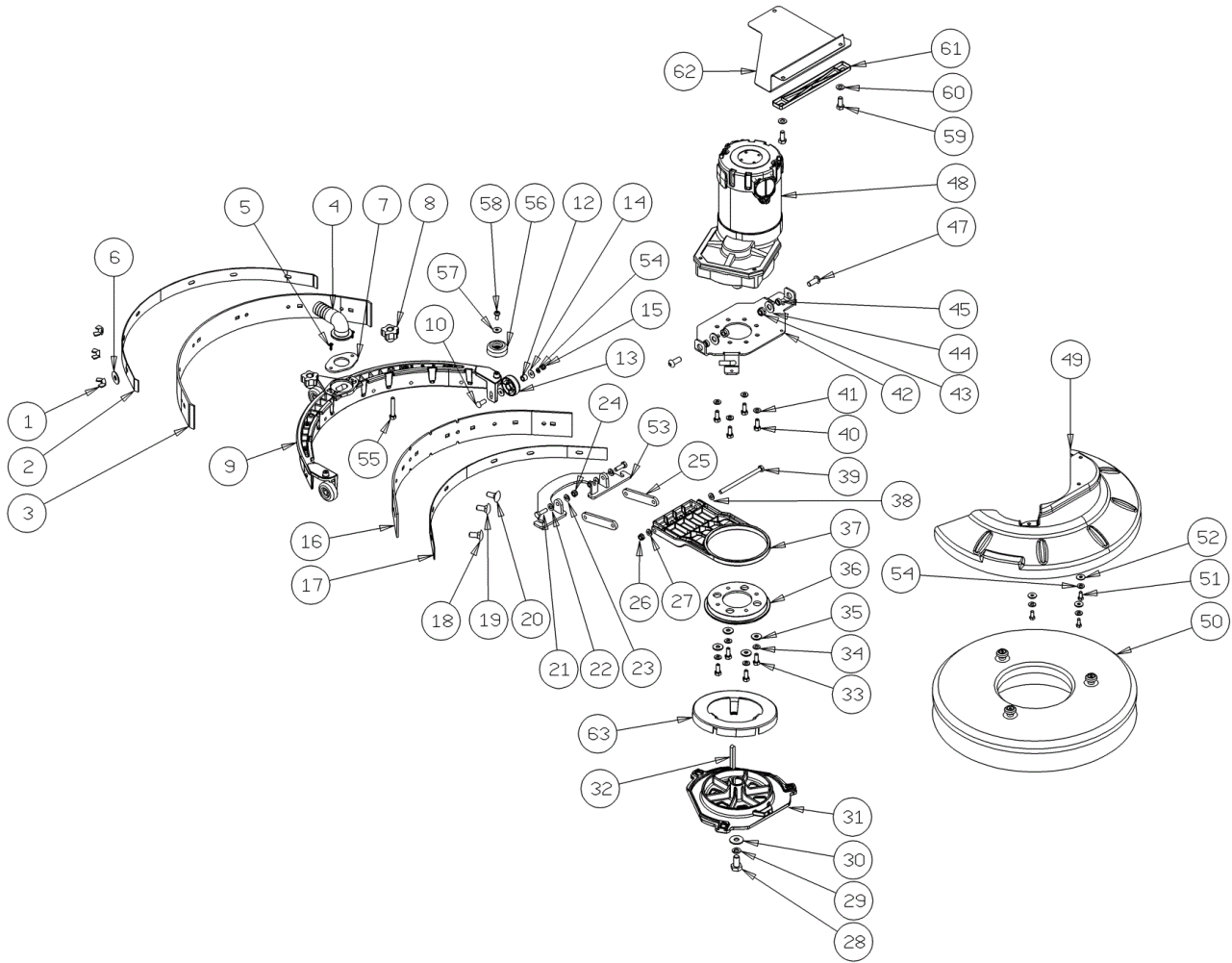
Ref.	K	Part N.	Customer Part N.	Description	Qty	Validity:		Price
						From	To	
0001		VTVT01371		SCREW 4,8X19	5,00			--
0002		MPVR05837		HANDLE REAR CT15-CT30	1,00			--
0003		VTVT00800		SCREW TC 4X12 ZN	3,00			--
0004		ETET01699		LABEL DASHBOARD CT15-30 CABLE	1,00			--
0005		LAFN08891		BRACKET -	1,00			--
0006		MECE00537		BOARD LOGIC CT15-CT30 230V	1,00			--
0007		MPVR05490		LEVER SWITCH ACTIVATION LEFT	1,00			--
0008		MERL00013		SWITCH -	1,00			--
0009		MPVR05490		LEVER SWITCH ACTIVATION LEFT	1,00			--
0010		MPVR05488		LEVER HANDLE ADJUSTMENT	1,00			--
0011		LAFN09338		TUBE MANICO	1,00			--
0012		MPVR05486		CRANKCASE -	1,00			--
0013		LAFN07917		SUPPORT -	1,00			--
0014		MLML00319		SPRING -	1,00			--
0015		MTIG00126		GEAR -	1,00			--
0016		MPVR49942		LEVER SHK PP	1,00			--
0017		VTVT63038		SCREW TCEI M8X45 BR	1,00			--
0018		VTVT01375		SCREW 5X22	2,00			--
0019		LAFN07476		COVER -	1,00			--
0020		GUGO00437		O-RING -	1,00			--
0021		MTIG00125		GEAR -	1,00			--
0022		LAFN07475		SUPPORT -	1,00			--
0023		GUGO00437		O-RING -	1,00			--
0024		LAFN07477		COVER -	1,00			--
0025		VTVT29810		SCREW TCEI M 8X20 UNI 5931	4,00			--
0026		LAFN07478		SUPPORT -	1,00			--
0027		VTVT01205		SCREW -	1,00			--
0028		VTDD00124		NUT M 8 BASSO	4,00			--
0029		LAFN08895		FRAME -	1,00			--
0030		LAFN08915		BUSHING -	2,00			--
0031		RTRT00537		WHEEL -	2,00			--
0032		VTRS00512		WASHER D. 8 X24 ZC.	2,00			--
0034		VTVT01110		SCREW TE 8X16 UNI5739	2,00			--
0036		VTRS00251		WASHER 4-16 INOX A2	1,00			--
0037		RCVR00004		CONNECTOR PORTAGOMMA 1/8" D.7	1,00			--
0038		RCDS00045		CONNECTOR -	1,00			--
0039		VTDD00055		NUT M 4 ATB A2	2,00	05/2013		--
0039		VTVT48694		SCREW TCB TC 5 X12 UNI 9707 TZ	2,00		05/2013	--
0040		KTRIO2100		SOLENOID VALVE CT15	1,00			--



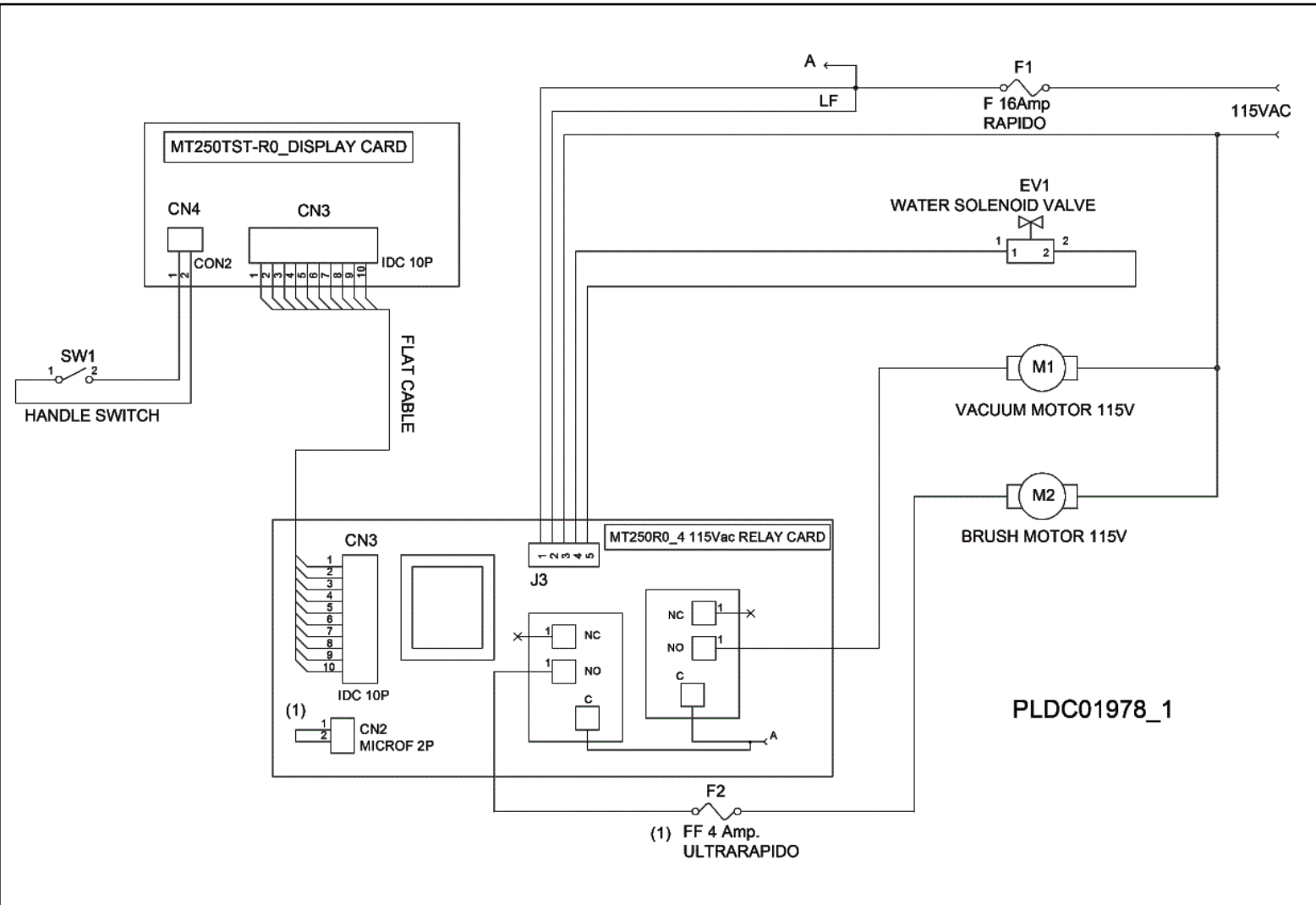
Ref.	K	Part N.	Customer Part N.	Description	Qty	Validity:		Price
						From	To	
0041		LAFN08898		BRACKET -	1,00			--
0042		VTVT00800		SCREW TC 4X12 ZN	1,00			--
0043		CMCV00453		CABLE SQUEEGEE LIFT CT15	1,00			--
0044		RCVR00004		CONNECTOR PORTAGOMMA 1/8" D.7	1,00	01/2014		--
0044		RCVR00084		CONNECTOR A "L"	1,00		01/2014	--
0045		VTRS08013		WASHER D. 5 GRW	2,00			--
0046		VTVT17639		SCREW TCEI M 5X10 UNI 5931	2,00			--
0047		VTVT01377		SCREW TSP-TC M 3X5 UNI7688 INX	4,00			--
0048		VTVR00481		INSERT FILETTATO M6	4,00			--
0049		VTRS00268		WASHER D.3	4,00			--
0050		VTDD21115		NUT M 3 INOX	4,00			--
0051		MECB01257		CABLE RIBBON CT15	1,00			--
0052		VTVT01372		SCREW 4,8X25	2,00			--
0053		VTVT01373		SCREW 4,8X38	1,00			--
0054		MECB01273		WIRING	1,00			--
0055		VTRS00505		WASHER D.10 TE UNI 6592	1,00			--
0056		VTDD00042		NUT AUT.M10 UNI7474	1,00			--
0057		VTRS00230		WASHER D. 8	1,00			--
0058		MPVR34714		CABLE SUPPORT E 350	1,00			--
0059		VTRS00274		WASHER NYLON 66 D.8,4-17-2 UNI	2,00		05/2013	--
0059		VTVT15924		SCREW M 4X 16 TCB-TC UNI 7687	2,00	05/2013		--
0060		MPVR05925		HOSE COLLAR CT15	1,00			--
0061		VTVT01374		SCREW 5X40	1,00			--
0062		MPVR05928		BUSHING CT15	1,00			--
0063		MPVR05927		PIN CT15	1,00			--
0064		MPVR05926		SUPPORT CT15	1,00			--
0065		TBBP00483		TUBE -	1,00			--
0066		TBBP00482		TUBE -	1,00			--
0067		RCVR00780		HOSE FITTING 1/4"	2,00		05/2013	--
0067		RCVR00786		CONNECTOR -	2,00	05/2013		--
0068		FTAC00042		FILTER -	1,00		02/2012	--
0068		FTAC00044		FILTER CT15-CT30	1,00	02/2012		--
0069		MEVR01595		FAIR-LEAD -	1,00			--
0070		LAFN07948		PROTECTION ELETTRICAVOLTA	1,00	05/2013		--



Ref.	K	Part N.	Customer Part N.	Description	Qty	Validity:		Price
						From	To	
0001		VTDD00522		NUT M5	6,00			--
0002		LAFN08887		BRACKET -	1,00			--
0003		MPVR05918		BLADE SQUEEGEE LATEX REAR CT15	1,00			--
0004		MPVR05831		CONNECTOR -	1,00			--
0005		VTVT48694		SCREW TCB TC 5 X12 UNI 9707 TZ	2,00			--
0006		VTRS13750		WASHER D. 5X14 INX	6,00			--
0007		LAFN08890		FLANGE -	1,00			--
0008		MPVR05842		SMALL KNOB -	2,00			--
0009		MPVR05835		BODY SQUEEGEE CT15	1,00			--
0010		VTVT01693		SCREW M5x20	3,00			--
0012		LAFN08913		BUSHING -	3,00			--
0013		MPVR05832		WHEEL -	3,00			--
0014		VTRS13750		WASHER D. 5X14 INX	6,00			--
0015		VTDD07727		NUT M 5 INOX	3,00			--
0016		MPVR05917		BLADE SQUEEGEE LATEX FRONT CT15	1,00			--
0017		LAFN08886		BRACKET -	1,00			--
0018		VTVT01690		SCREW M5x25	2,00			--
0019		VTVT01691		SCREW M5x35	2,00			--
0020		VTVT01691		SCREW M5x35	2,00			--
0021		VTVT13939		SCREW TE 6X20 UNI5739 INX	2,00			--
0022		VTRS00245		WASHER D.6 UNI 6592 INOX	2,00			--
0023		VTRS00245		WASHER D.6 UNI 6592 INOX	2,00			--
0024		VTDD01694		NUT M6 INOX	2,00			--
0025		LAFN08889		ARM -	2,00			--
0026		VTDD01694		NUT M6 INOX	1,00			--
0027		VTRS00245		WASHER D.6 UNI 6592 INOX	1,00			--
0028		VTVT13938		SCREW TE 8X20 UNI5739 INX	1,00			--
0029		VTRS15146		WASHER D. 8 INX GRW UNI 1751	1,00			--
0030		VTRS13946		WASHER D. 8 X24 INX UNI 6593	1,00			--
0031		MFVR00212		DRIVE DISK	1,00			--
0032		VTVR16617		KEY 6X 6X30 UNI 6604	1,00			--
0033		VTVT13939		SCREW TE 6X20 UNI5739 INX	4,00			--
0034		VTRS15144		WASHER D. 6 INX GRW UNI 1751	4,00			--
0035		VTRS13945		WASHER D. 6X18 INX UNI 6593	4,00			--
0036		MPVR05830		BRACKET -	1,00			--
0037		MPVR05829		SUPPORT -	1,00			--
0038		VTRS00245		WASHER D.6 UNI 6592 INOX	1,00			--
0039		VTVT01692		SCREW M6X125	1,00			--
0040		VTVT15906		SCREW TE 6X 12 A2 UNI 5739	4,00			--



Ref.	K	Part N.	Customer Part N.	Description	Qty	Validity:		Price
						From	To	
0041		VTRS15144		WASHER D. 6 INX GRW UNI 1751	4,00			--
0042		LAFN08896		PLATE -	1,00			--
0043		VTDD01695		NUT M 8 INX	2,00			--
0044		VTRS13947		WASHER D. 8 INX UNI 6592	2,00			--
0045		LAFN08916		BUSHING -	2,00			--
0047		VTVT13937		SCREW TE M 8X 30 INX UNI 5739	2,00			--
0048		MEVR01749		CARBON -	2,00	07/2012		--
0048		MEVR01750		CAP -	1,00	07/2012		--
0048		MOMO00245		MOTOR 115Vac	1,00		07/2012	--
0048		MOMO00253		MOTOR CT15 115VAC	1,00	07/2012		--
0049		MPVR05827		COVER BRUSH HEAD CT15	1,00			--
0050		SPPV01287		BRUSH NYLON CT15 d.350	1,00			--
0051		VTVT01300		SCREW TE M5X12 INOX	3,00			--
0052		VTRS13750		WASHER D. 5X14 INX	3,00			--
0053		LAFN08888		SUPPORT -	1,00			--
0054		VTRS15908		WASHER D. 5 INX GRW UNI 1751	3,00			--
0055		VTVT15515		SCREW TE M 6X 50 INOX A2	2,00			--
0056		MPVR05832		WHEEL -	2,00	04/2011		--
0057		VTRS13750		WASHER D. 5X14 INX	2,00	04/2011		--
0058		VTVT48694		SCREW TCB TC 5 X12 UNI 9707 TZ	2,00	04/2011		--
0059		VTVT01300		SCREW TE M5X12 INOX	2,00	11/2012		--
0060		VTRS13750		WASHER D. 5X14 INX	2,00	11/2012		--
0061		MPVR06259		BRACKET -	1,00	11/2012		--
0062		MPVR06257		COVER -	1,00	11/2012		--
0063		MPVR06045		CONVEYOR -	1,00	09/2013		--



Ref.	K	Part N.	Customer Part N.	Description	Qty	Validity:		Price
						From	To	
F1		MEVR02090		FUSE 16A	1,00			--
F2		MEVR02078		FUSE 4A 6.3X32 RAPID	1,00			--
M1		MOMO00247		MOTOR 115V	1,00			--
M2		MOMO00245		MOTOR 115Vac	1,00			--
SW1		MERL00013		SWITCH -	1,00			--