



Electronic Service Manuals

This electronic document is provided as a service to our customers. We do not create the contents of the information contained in this document. Should you have detailed questions pertaining to the information contained in this document, you may contact Michco, or the manufacturer which provided the original information in this electronic deliverable. Michco's only part in this electronic deliverable was the electronic assembly process. By providing this manual on line we are not guaranteeing parts availability.

You may contact Michco through the following methods:

Phone (517) 484-9312 or (800) 331-3339

2011 N. High St. -- Lansing, Michigan -- 48906

Fax: (517) 484-9836

Email: CustServe@Michco.com

Web site: www.Michco.Com

Parts Web site: www.FloorMachineParts.Com

Order Parts on Line at:

www.FloorMachineParts.Com

Directly to Parts & Service:

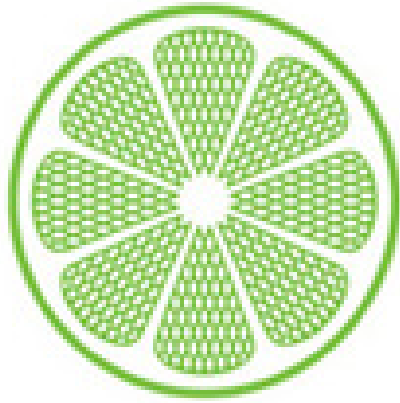
By Email: **Shop@Michco.com**

By Fax: (517) 702-2041

By Voice: Use numbers above.

Serving the Cleaning Industry Since 1922

Notice: All copyrighted material remains property of original owners, all trademarks are property of respective owners. Manuals are subject to Manufacturer's reproduction limitations. Originals or reproductions were provided by manufacturers through a request. We make no warranty as to the correctness of information provided in this document and you assume all risk. By placing these manuals on line we are not declaring our corporation to be an manufacturer authorized dealer or provider, please check our web site for authorized manufacturers we represent.



IPC Integrated Professional Cleaning

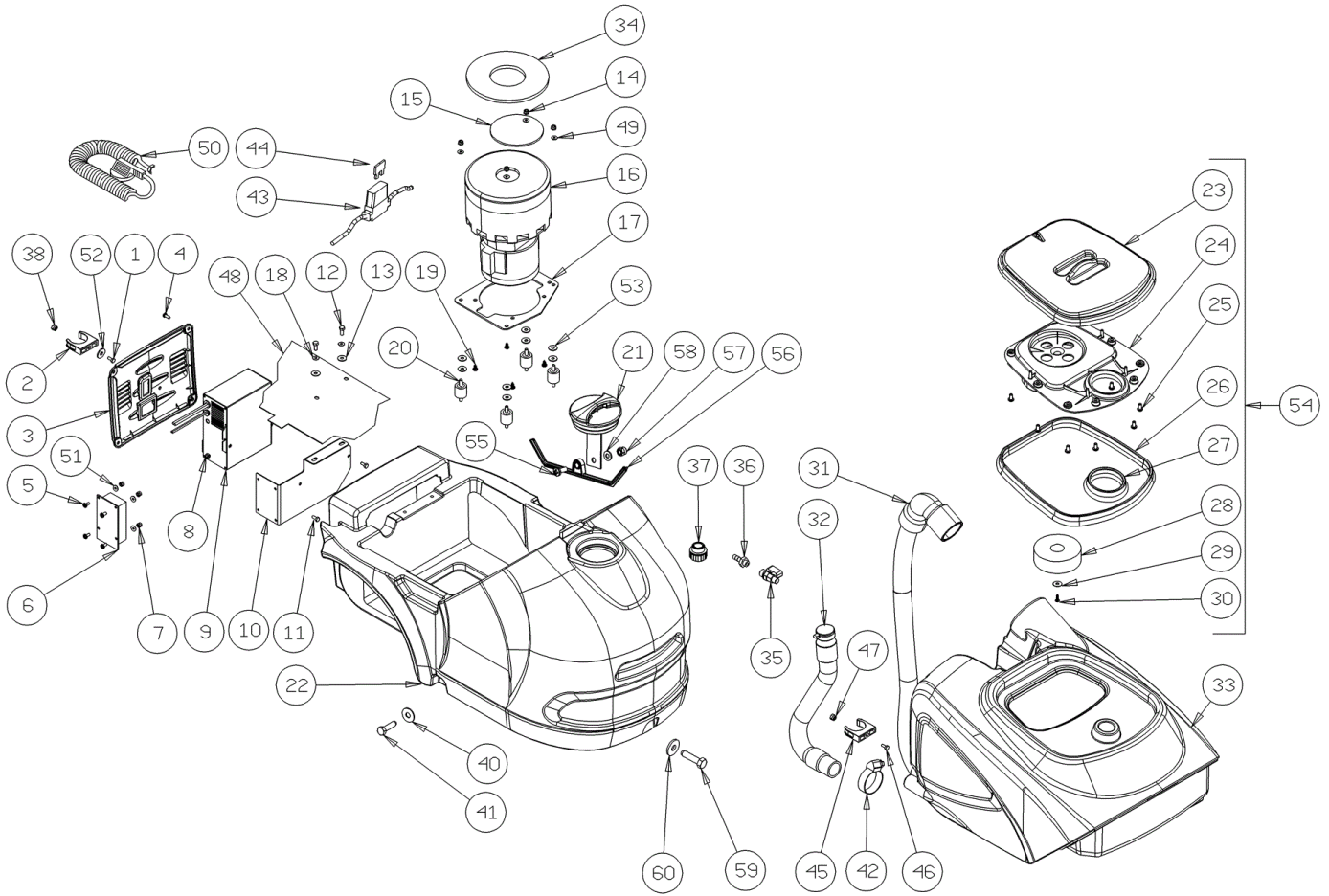
IPC Gansow

Spare Parts List

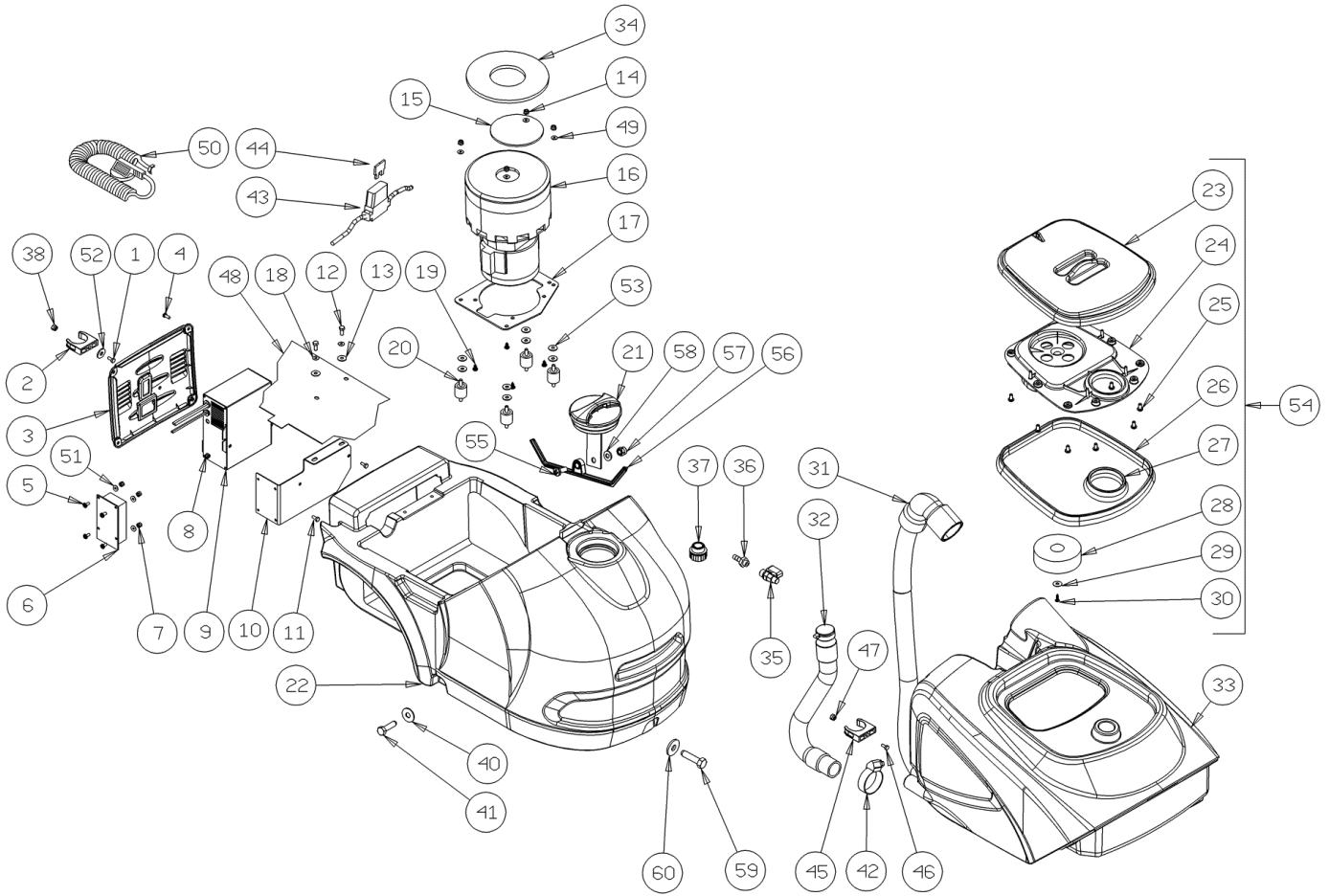
IPC EAGLE

Ref: LPTB02589

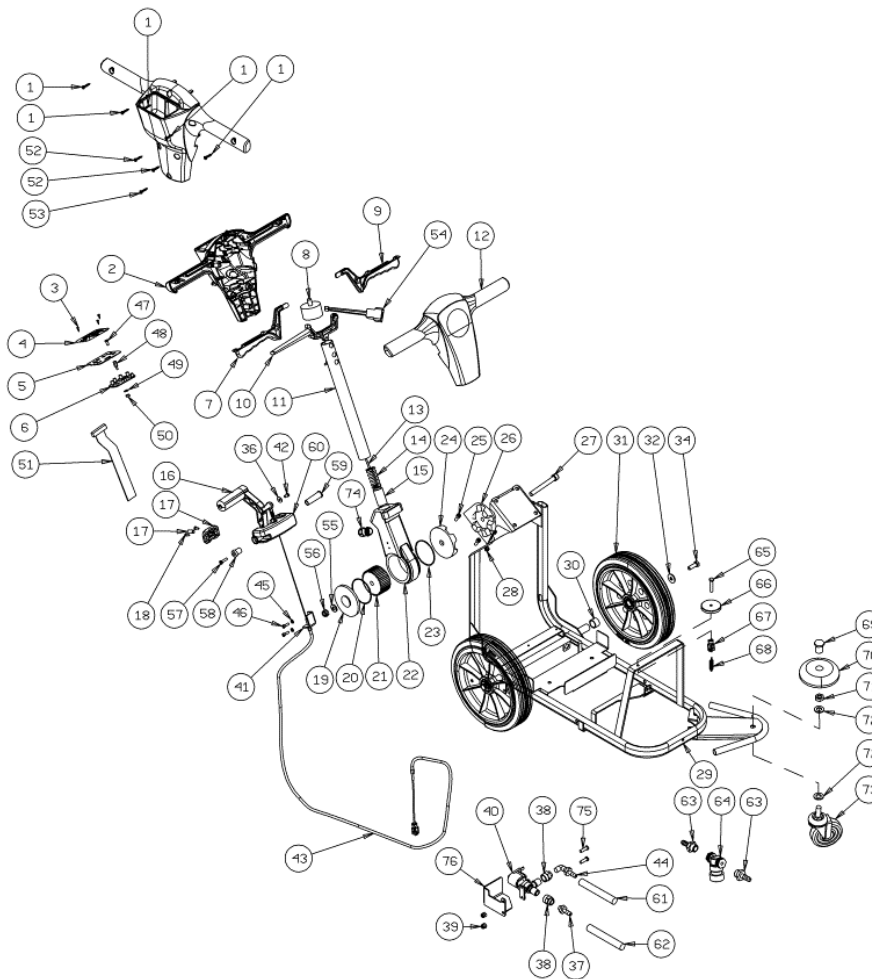
Model: CT15 B35 ECS+BAT GR/VE USA/JP



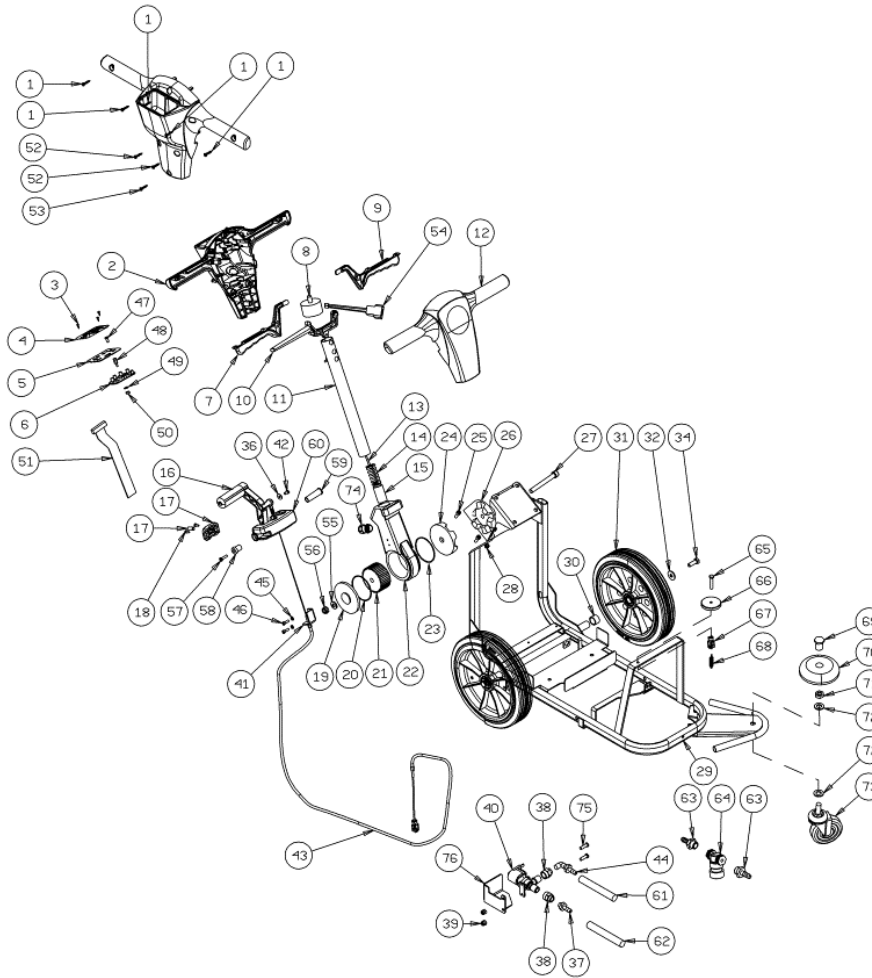
| Ref. | K | Part N. | Customer Part N. | Description | Qty | Validity: | | Price |
|------|---|-----------|------------------|----------------------------------|------|-----------|---------|-------|
| | | | | | | From | To | |
| 0001 | | VTVT29884 | | SCREW TE M 4X 16 UNI 5739 | 1,00 | | 02/2012 | -- |
| 0002 | | MPVR05841 | | CLIP - | 1,00 | | 02/2012 | -- |
| 0003 | | MPVR05828 | | COVER - | 1,00 | | | -- |
| 0004 | | VTVT75733 | | SCREW TBEI M 5X 12 ISO 7380 ZB | 4,00 | | | -- |
| 0005 | | VTVT09841 | | SCREW TE M 4X 10 ZC. UNI 5739 | 4,00 | | | -- |
| 0006 | | MECE00529 | | BOARD POWER CT15-CT30 | 1,00 | | 04/2013 | -- |
| 0006 | | MECE00578 | | BOARD POWER CT15-CT30 | 1,00 | 04/2013 | | -- |
| 0007 | | VTDD04368 | | NUT M 4 ZIN UNI 5588 | 4,00 | | | -- |
| 0008 | | VTDD04369 | | NUT M 4 TEF UNI 7473 | 2,00 | | | -- |
| 0009 | | BACA00152 | | BATTERY-CHARGERCBHD1 24V 5A | 1,00 | | | -- |
| 0010 | | LAFN08893 | | PLATE - | 1,00 | | | -- |
| 0011 | | VTVT09841 | | SCREW TE M 4X 10 ZC. UNI 5739 | 2,00 | | | -- |
| 0012 | | VTVT34115 | | SCREW TE M 5X 10 UNI 5739 | 2,00 | | | -- |
| 0013 | | VTRS13750 | | WASHER D. 5X14 INX | 2,00 | | | -- |
| 0014 | | VTDD07727 | | NUT M 5 INOX | 4,00 | | | -- |
| 0015 | | LAFN05830 | | NET FERMA FILTRO INOX | 1,00 | | | -- |
| 0016 | | MEVR05200 | | CARBON MOTORE ASP.AMET.116599-13 | 2,00 | | | -- |
| 0016 | | MOCC00409 | | MOTOR - | 1,00 | | | -- |
| 0017 | | LAFN08894 | | PLATE - | 1,00 | | | -- |
| 0018 | | VTRS08013 | | WASHER D. 5 GRW | 2,00 | | | -- |
| 0019 | | VTVT48694 | | SCREW TCB TC 5 X12 UNI 9707 TZ | 4,00 | | | -- |
| 0020 | | ABGO00052 | | VIBRATION DAMP.- | 4,00 | | | -- |
| 0021 | | MPVR05188 | | CAP - | 1,00 | | | -- |
| 0022 | | MPVR05824 | | TANK SOLUTION CT15 | 1,00 | | | -- |
| 0023 | | MPVR05825 | | COVER - | 1,00 | | | -- |
| 0024 | | MPVR05826 | | COVER - | 1,00 | | | -- |
| 0025 | | VTVT01694 | | SCREW TCB TC 5 X10 UNI 9707 TZ | 8,00 | | | -- |
| 0026 | | GUVR00306 | | GASKET - | 1,00 | | | -- |
| 0027 | | GUVR00307 | | GASKET - | 1,00 | | | -- |
| 0028 | | MPVR05836 | | FLOATER - | 1,00 | | | -- |
| 0029 | | VTRS00573 | | WASHER 30x6x3 | 1,00 | | | -- |
| 0030 | | VTVT48694 | | SCREW TCB TC 5 X12 UNI 9707 TZ | 1,00 | | | -- |
| 0031 | | TBFX00345 | | TUBE SUCTI | 1,00 | | 10/2011 | -- |
| 0031 | | TBFX00351 | | TUBE SUCTION CT15-CT30 | 1,00 | 10/2011 | | -- |
| 0032 | | TBFX00346 | | TUBE CT15 | 1,00 | | | -- |
| 0033 | | MPVR05823 | | TANK RECOVERY CT15 | 1,00 | | | -- |
| 0034 | | GUGO00444 | | GASKET - | 1,00 | | | -- |
| 0035 | | RCGR00008 | | VALVE A SFERA MF 1/8" | 1,00 | | | -- |
| 0036 | | RCVR00004 | | CONNECTOR PORTAGOMMA 1/8" D.7 | 1,00 | | | -- |



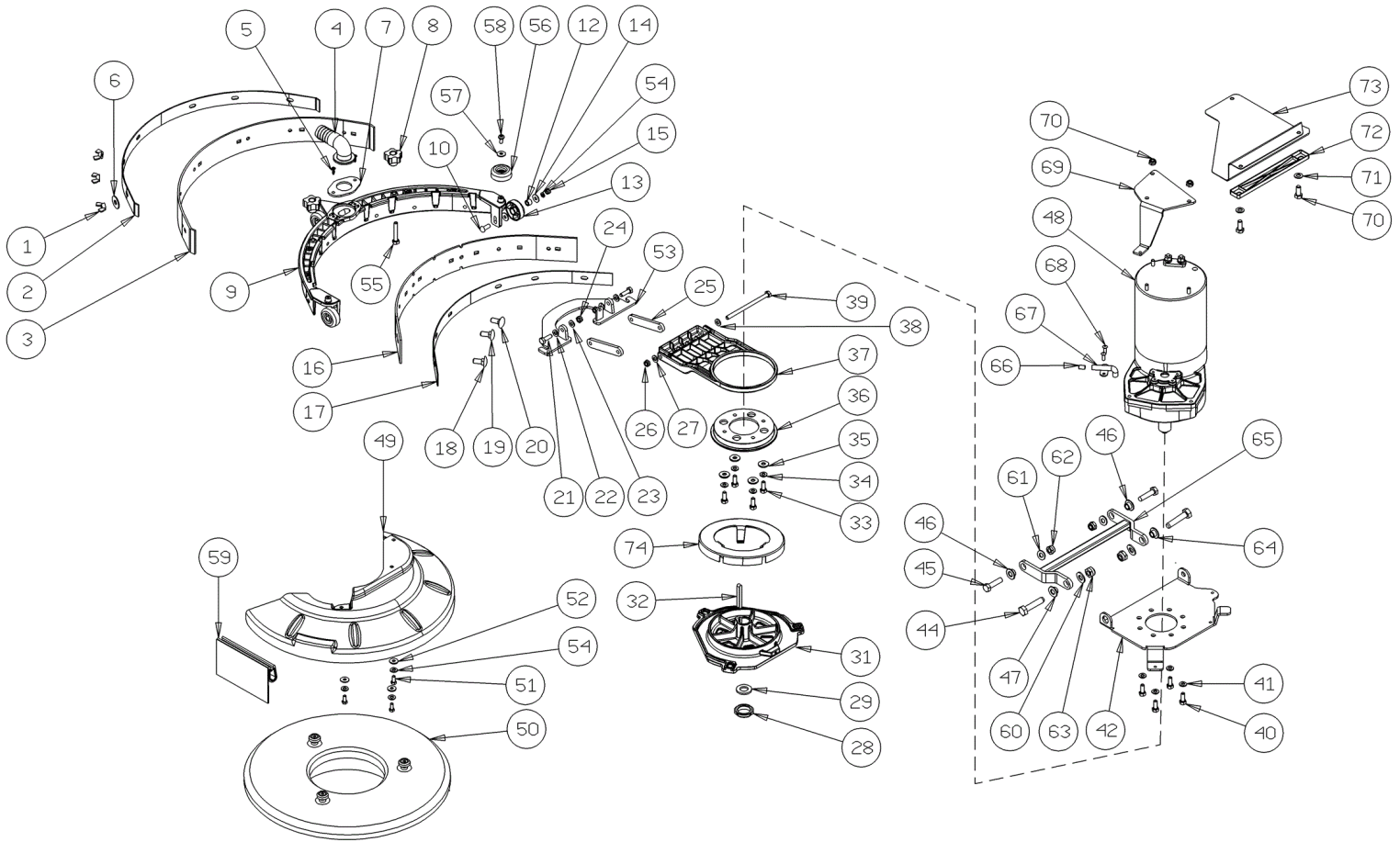
| Ref. | K | Part N. | Customer Part N. | Description | Qty | Validity: | | Price |
|------|---|-----------|------------------|---------------------------------|------|-----------|---------|-------|
| | | | | | | From | To | |
| 0037 | | MPVR08003 | | CAP | 1,00 | | | -- |
| 0038 | | VTDD04369 | | NUT M 4 TEF UNI 7473 | 1,00 | | 02/2012 | -- |
| 0040 | | VTRS13750 | | WASHER D. 5X14 INX | 3,00 | | | -- |
| 0041 | | VTVT01376 | | SCREW TE M 5X 35 UNI 5739 | 3,00 | | | -- |
| 0042 | | FSVR00002 | | CLAMP EKOFLEX 9 23-35 | 1,00 | | | -- |
| 0043 | | MECB01286 | | WIRING FUSE HOLDER CT30 BATTERY | 1,00 | | | -- |
| 0044 | | MEVR01136 | | FUSE 30A | 1,00 | | | -- |
| 0045 | | MPVR05841 | | CLIP - | 1,00 | | 02/2012 | -- |
| 0045 | | MPVR05996 | | CLIP - | 1,00 | 03/2012 | | -- |
| 0046 | | VTVT00727 | | SCREW TE M. 4-20 | 1,00 | | 02/2012 | -- |
| 0046 | | VTVT29884 | | SCREW TE M 4X 16 UNI 5739 | 1,00 | 03/2012 | | -- |
| 0047 | | VTDD04369 | | NUT M 4 TEF UNI 7473 | 1,00 | | | -- |
| 0048 | | MPVR05907 | | PROTECTION | 1,00 | | | -- |
| 0049 | | VTRS15908 | | WASHER D. 5 INX GRW UNI 1751 | 4,00 | | | -- |
| 0050 | | MECB00923 | | EXTENSION AWG18 US PLUG | 1,00 | | | -- |
| 0051 | | VTRS00377 | | WASHER M4 | 4,00 | | | -- |
| 0052 | | VTRS05904 | | WASHER D. 4 X16 2.083 | 1,00 | | 02/2012 | -- |
| 0053 | | VTRS13750 | | WASHER D. 5X14 INX | 8,00 | | | -- |
| 0054 | | KTRI01989 | | KIT RECOVERY LID | 1,00 | | | -- |
| 0055 | | VTVT15965 | | SCREW TCB-TC 4X12 UNI7687 INX | 1,00 | | | -- |
| 0056 | | MPVR08038 | | PLATE CT15-30 | 1,00 | | | -- |
| 0057 | | VTDD00055 | | NUT M 4 ATB A2 | 1,00 | | | -- |
| 0058 | | VTRS00515 | | WASHER D. 4 INX | 1,00 | | | -- |
| 0059 | | VTVT01376 | | SCREW TE M 5X 35 UNI 5739 | 1,00 | | | -- |
| 0060 | | VTRS13750 | | WASHER D. 5X14 INX | 1,00 | | | -- |



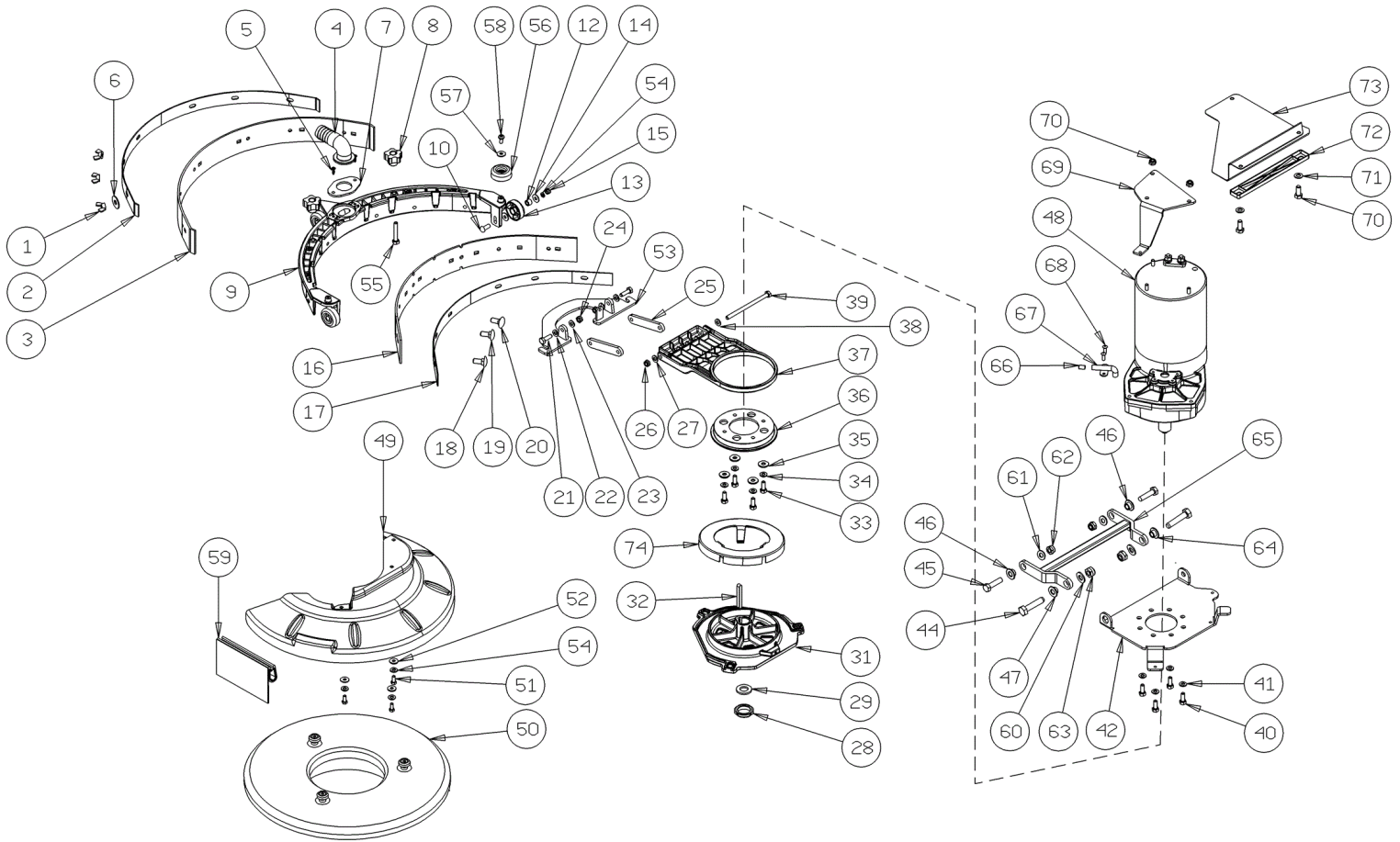
| Ref. | K | Part N. | Customer Part N. | Description | Qty | Validity: | | Price |
|------|---|-----------|------------------|--------------------------------|------|-----------|---------|-------|
| | | | | | | From | To | |
| 0001 | | VTVT01371 | | SCREW 4,8X19 | 5,00 | | | -- |
| 0002 | | MPVR05837 | | HANDLE REAR CT15-CT30 | 1,00 | | | -- |
| 0003 | | VTVT00800 | | SCREW TC 4X12 ZN | 3,00 | | | -- |
| 0004 | | ETET01667 | | LABEL DASHBOARD CT15-CT30 | 1,00 | | | -- |
| 0005 | | LAFN08891 | | BRACKET - | 1,00 | | | -- |
| 0006 | | MECE00573 | | BOARD CT15 ECS | 1,00 | | | -- |
| 0007 | | MPVR05490 | | LEVER SWITCH ACTIVATION LEFT | 1,00 | | | -- |
| 0008 | | MERL00013 | | SWITCH - | 1,00 | | | -- |
| 0009 | | MPVR05490 | | LEVER SWITCH ACTIVATION LEFT | 1,00 | | | -- |
| 0010 | | MPVR05488 | | LEVER HANDLE ADJUSTMENT | 1,00 | | | -- |
| 0011 | | LAFN09338 | | TUBE MANICO | 1,00 | | | -- |
| 0012 | | MPVR05486 | | CRANKCASE - | 1,00 | | | -- |
| 0013 | | LAFN07917 | | SUPPORT - | 1,00 | | | -- |
| 0014 | | MLML00319 | | SPRING - | 1,00 | | | -- |
| 0015 | | MTIG00126 | | GEAR - | 1,00 | | | -- |
| 0016 | | MPVR49942 | | LEVER SHK PP | 1,00 | | | -- |
| 0017 | | MPVR05925 | | HOSE COLLAR CT15 | 1,00 | | | -- |
| 0018 | | VTVT01375 | | SCREW 5X22 | 2,00 | | | -- |
| 0019 | | LAFN07476 | | COVER - | 1,00 | | | -- |
| 0020 | | GUGO00437 | | O-RING - | 1,00 | | | -- |
| 0021 | | MTIG00125 | | GEAR - | 1,00 | | | -- |
| 0022 | | LAFN07475 | | SUPPORT - | 1,00 | | | -- |
| 0023 | | GUGO00437 | | O-RING - | 1,00 | | | -- |
| 0024 | | LAFN07477 | | COVER - | 1,00 | | | -- |
| 0025 | | VTVT29810 | | SCREW TCEI M 8X20 UNI 5931 | 4,00 | | | -- |
| 0026 | | LAFN07478 | | SUPPORT - | 1,00 | | | -- |
| 0027 | | VTVT01205 | | SCREW - | 1,00 | | | -- |
| 0028 | | VTDD00124 | | NUT M 8 BASSO | 4,00 | | | -- |
| 0029 | | LAFN07925 | | FRAME - | 1,00 | | | -- |
| 0030 | | LAFN08915 | | BUSHING - | 2,00 | | | -- |
| 0031 | | RTRT00537 | | WHEEL - | 2,00 | | | -- |
| 0032 | | VTRS00512 | | WASHER D. 8 X24 ZC. | 2,00 | | | -- |
| 0034 | | VTVT01110 | | SCREW TE 8X16 UNI5739 | 2,00 | | | -- |
| 0036 | | VTRS00251 | | WASHER 4-16 INOX A2 | 1,00 | | | -- |
| 0037 | | RCVR00004 | | CONNECTOR PORTAGOMMA 1/8" D.7 | 1,00 | | | -- |
| 0038 | | RCDS00045 | | CONNECTOR - | 1,00 | | | -- |
| 0039 | | VTDD00055 | | NUT M 4 ATB A2 | 2,00 | 05/2013 | | -- |
| 0039 | | VTVT48694 | | SCREW TCB TC 5 X12 UNI 9707 TZ | 2,00 | | 05/2013 | -- |
| 0040 | | PMVR01883 | | SOLENOID VALVE CT15 | 1,00 | | | -- |



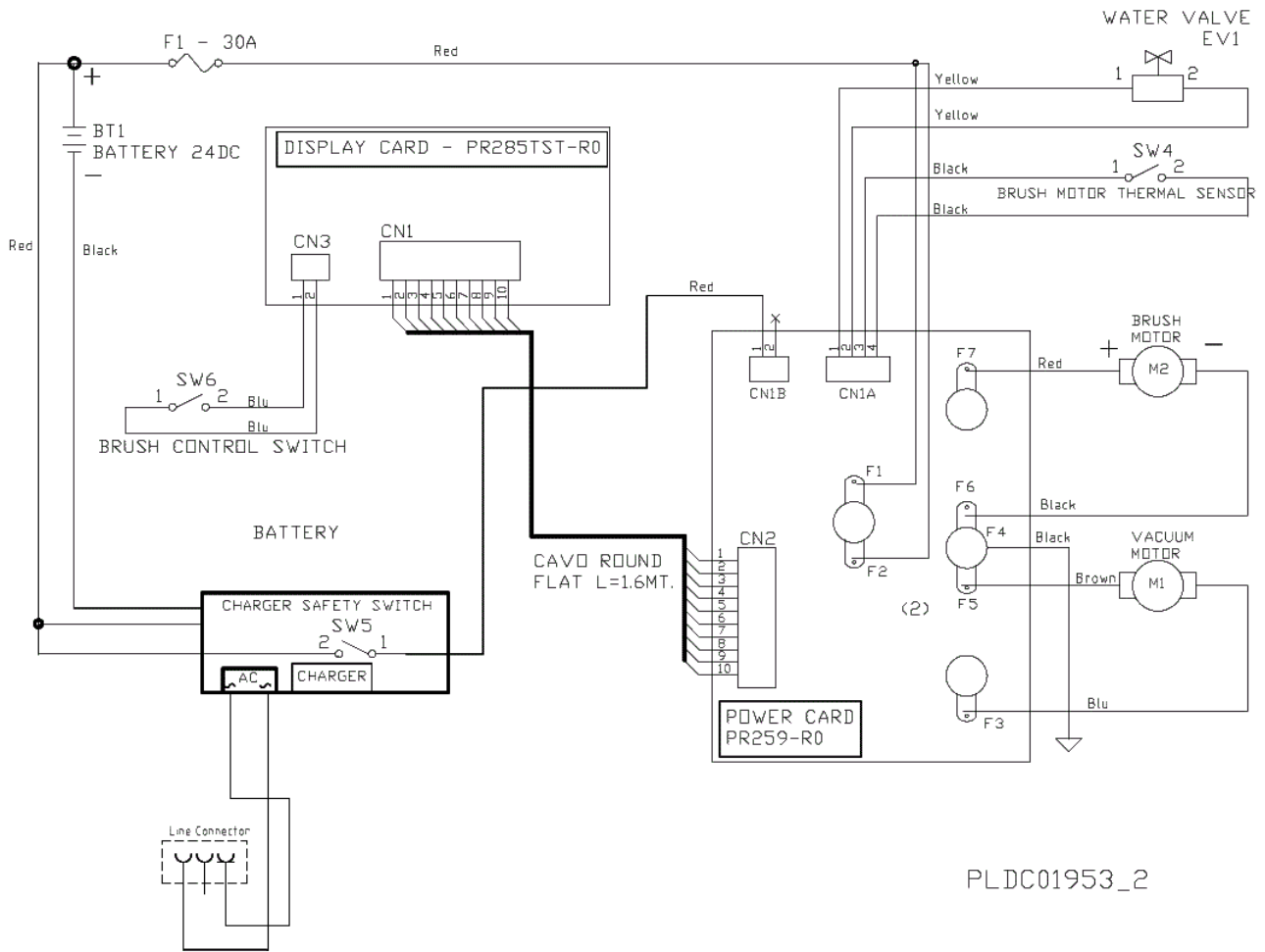
| Ref. | K | Part N. | Customer Part N. | Description | Qty | Validity: | | Price |
|------|---|-----------|------------------|--------------------------------|------|-----------|---------|-------|
| | | | | | | From | To | |
| 0041 | | LAFN08898 | | BRACKET - | 1,00 | | | -- |
| 0042 | | VTVT00800 | | SCREW TC 4X12 ZN | 1,00 | | | -- |
| 0043 | | CMCV00453 | | CABLE SQUEEGEE LIFT CT15 | 1,00 | | | -- |
| 0044 | | RCVR00004 | | CONNECTOR PORTAGOMMA 1/8" D.7 | 1,00 | 01/2014 | | -- |
| 0044 | | RCVR00084 | | CONNECTOR A "L" | 1,00 | | 01/2014 | -- |
| 0045 | | VTRS08013 | | WASHER D. 5 GRW | 2,00 | | | -- |
| 0046 | | VTVT17639 | | SCREW TCEI M 5X10 UNI 5931 | 2,00 | | | -- |
| 0047 | | VTVT01377 | | SCREW TSP-TC M 3X5 UNI7688 INX | 4,00 | | | -- |
| 0048 | | VTVR00481 | | INSERT FILETTATO M6 | 4,00 | | | -- |
| 0049 | | VTRS00268 | | WASHER D.3 | 4,00 | | | -- |
| 0050 | | VTDD21115 | | NUT M 3 INOX | 4,00 | | | -- |
| 0051 | | MECB01257 | | CABLE RIBBON CT15 | 1,00 | | | -- |
| 0052 | | VTVT01372 | | SCREW 4,8X25 | 2,00 | | | -- |
| 0053 | | VTVT01373 | | SCREW 4,8X38 | 1,00 | | | -- |
| 0054 | | MECB01273 | | WIRING | 1,00 | | | -- |
| 0055 | | VTRS00505 | | WASHER D.10 TE UNI 6592 | 1,00 | | | -- |
| 0056 | | VTDD00042 | | NUT AUT.M10 UNI7474 | 1,00 | | | -- |
| 0057 | | VTVT01374 | | SCREW 5X40 | 1,00 | | | -- |
| 0058 | | MPVR05928 | | BUSHING CT15 | 1,00 | | | -- |
| 0059 | | MPVR05927 | | PIN CT15 | 1,00 | | | -- |
| 0060 | | MPVR05926 | | SUPPORT CT15 | 1,00 | | | -- |
| 0061 | | TBBP00482 | | TUBE - | 1,00 | | | -- |
| 0062 | | TBBP00483 | | TUBE - | 1,00 | | | -- |
| 0063 | | RCVR00780 | | HOSE FITTING 1/4" | 2,00 | | 05/2013 | -- |
| 0063 | | RCVR00786 | | CONNECTOR - | 2,00 | 05/2013 | | -- |
| 0064 | | FTAC00042 | | FILTER - | 1,00 | | 02/2012 | -- |
| 0064 | | FTAC00044 | | FILTER CT15-CT30 | 1,00 | 02/2012 | | -- |
| 0065 | | VTVT00392 | | SCREW M6x35 UNI5739 inox | 1,00 | | | -- |
| 0066 | | LAFN07930 | | SMALL KNOB - | 1,00 | | | -- |
| 0067 | | CMCV76639 | | FORK M 6 UNI 1676 | 1,00 | | | -- |
| 0068 | | MLML00303 | | SPRING REGISTRAZIONE FLAP | 1,00 | | | -- |
| 0069 | | LAFN09172 | | BUSHING - | 1,00 | | | -- |
| 0070 | | MPVR05965 | | WHEEL - | 1,00 | | | -- |
| 0071 | | VTDD00502 | | NUT M12 | 1,00 | | | -- |
| 0072 | | VTRS15978 | | WASHER D.12X24 UNI 6592 INX | 2,00 | | | -- |
| 0073 | | RTRT00544 | | WHEEL D.80MXHC | 1,00 | | | -- |
| 0074 | | MEVR01595 | | FAIR-LEAD - | 1,00 | | | -- |
| 0075 | | VTVT15924 | | SCREW M 4X 16 TCB-TC UNI 7687 | 2,00 | 05/2013 | | -- |
| 0076 | | LAFN07948 | | PROTECTION ELETTROVALVOLA | 1,00 | 05/2013 | | -- |



| Ref. | K | Part N. | Customer Part N. | Description | Qty | Validity: | | Price |
|------|---|-----------|------------------|---------------------------------|------|-----------|----|-------|
| | | | | | | From | To | |
| 0001 | | VTDD00522 | | NUT M5 | 6,00 | | | -- |
| 0002 | | LAFN08887 | | BRACKET - | 1,00 | | | -- |
| 0003 | | MPVR05918 | | BLADE SQUEEGEE LATEX REAR CT15 | 1,00 | | | -- |
| 0004 | | MPVR05831 | | CONNECTOR - | 1,00 | | | -- |
| 0005 | | VTVT48694 | | SCREW TCB TC 5 X12 UNI 9707 TZ | 2,00 | | | -- |
| 0006 | | VTRS13750 | | WASHER D. 5X14 INX | 6,00 | | | -- |
| 0007 | | LAFN08890 | | FLANGE - | 1,00 | | | -- |
| 0008 | | MPVR05842 | | SMALL KNOB - | 2,00 | | | -- |
| 0009 | | MPVR05835 | | BODY SQUEEGEE CT15 | 1,00 | | | -- |
| 0010 | | VTVT01693 | | SCREW M5x20 | 3,00 | | | -- |
| 0012 | | LAFN08913 | | BUSHING - | 3,00 | | | -- |
| 0013 | | MPVR05832 | | WHEEL - | 3,00 | | | -- |
| 0014 | | VTRS13750 | | WASHER D. 5X14 INX | 6,00 | | | -- |
| 0015 | | VTDD07727 | | NUT M 5 INOX | 3,00 | | | -- |
| 0016 | | MPVR05917 | | BLADE SQUEEGEE LATEX FRONT CT15 | 1,00 | | | -- |
| 0017 | | LAFN08886 | | BRACKET - | 1,00 | | | -- |
| 0018 | | VTVT01690 | | SCREW M5x25 | 2,00 | | | -- |
| 0019 | | VTVT01691 | | SCREW M5x35 | 2,00 | | | -- |
| 0020 | | VTVT01691 | | SCREW M5x35 | 2,00 | | | -- |
| 0021 | | VTVT13939 | | SCREW TE 6X20 UNI5739 INX | 2,00 | | | -- |
| 0022 | | VTRS00245 | | WASHER D.6 UNI 6592 INOX | 2,00 | | | -- |
| 0023 | | VTRS00245 | | WASHER D.6 UNI 6592 INOX | 2,00 | | | -- |
| 0024 | | VTDD01694 | | NUT M6 INOX | 2,00 | | | -- |
| 0025 | | LAFN08889 | | ARM - | 2,00 | | | -- |
| 0026 | | VTDD01694 | | NUT M6 INOX | 1,00 | | | -- |
| 0027 | | VTRS00245 | | WASHER D.6 UNI 6592 INOX | 1,00 | | | -- |
| 0028 | | VTVR00328 | | RING NUT - | 1,00 | | | -- |
| 0029 | | VTRS00571 | | WASHER - | 1,00 | | | -- |
| 0031 | | LAFN09199 | | DRIVE DISK - | 1,00 | | | -- |
| 0032 | | VTVR16617 | | KEY 6X 6X30 UNI 6604 | 1,00 | | | -- |
| 0033 | | VTVT13939 | | SCREW TE 6X20 UNI5739 INX | 4,00 | | | -- |
| 0034 | | VTRS15144 | | WASHER D. 6 INX GRW UNI 1751 | 4,00 | | | -- |
| 0035 | | VTRS13945 | | WASHER D. 6X18 INX UNI 6593 | 4,00 | | | -- |
| 0036 | | MPVR05830 | | BRACKET - | 1,00 | | | -- |
| 0037 | | MPVR05829 | | SUPPORT - | 1,00 | | | -- |
| 0038 | | VTRS00245 | | WASHER D.6 UNI 6592 INOX | 1,00 | | | -- |
| 0039 | | VTVT01692 | | SCREW M6X125 | 1,00 | | | -- |
| 0040 | | VTVT15906 | | SCREW TE 6X 12 A2 UNI 5739 | 4,00 | | | -- |
| 0041 | | VTRS15144 | | WASHER D. 6 INX GRW UNI 1751 | 4,00 | | | -- |



| Ref. | K | Part N. | Customer Part N. | Description | Qty | Validity: | | Price |
|------|---|-----------|------------------|--------------------------------|------|-----------|----|-------|
| | | | | | | From | To | |
| 0042 | | LAFN07924 | | PLATE - | 1,00 | | | -- |
| 0044 | | VTVT15907 | | SCREW TE 8X25 UNI5739 INX | 2,00 | | | -- |
| 0045 | | VTVT01378 | | CARRYNG BAG | 2,00 | | | -- |
| 0046 | | LAFN06391 | | BUSHING PARALLELOGRAMMA | 3,00 | | | -- |
| 0047 | | LAFN51068 | #8479.90.9498 | BUSHING LEVA POSTER. | 1,00 | | | -- |
| 0048 | | MOCC00410 | | MOTOR - | 1,00 | | | -- |
| 0049 | | MPVR06011 | | COVER CT15 ECS | 1,00 | | | -- |
| 0050 | | SPPV01268 | | DRIVE DISK MICROFIBRE | 1,00 | | | -- |
| 0051 | | VTVT01300 | | SCREW TE M5X12 INOX | 3,00 | | | -- |
| 0052 | | VTRS13750 | | WASHER D. 5X14 INX | 3,00 | | | -- |
| 0053 | | LAFN08888 | | SUPPORT - | 1,00 | | | -- |
| 0054 | | VTRS15908 | | WASHER D. 5 INX GRW UNI 1751 | 3,00 | | | -- |
| 0055 | | VTVT15515 | | SCREW TE M 6X 50 INOX A2 | 2,00 | | | -- |
| 0056 | | MPVR05832 | | WHEEL - | 2,00 | | | -- |
| 0057 | | VTRS13750 | | WASHER D. 5X14 INX | 2,00 | | | -- |
| 0058 | | VTVT48694 | | SCREW TCB TC 5 X12 UNI 9707 TZ | 2,00 | | | -- |
| 0059 | | MPVR05950 | | FLAP CT15 | 1,00 | | | -- |
| 0060 | | VTRS13947 | | WASHER D. 8 INX UNI 6592 | 4,00 | | | -- |
| 0061 | | VTRS13947 | | WASHER D. 8 INX UNI 6592 | 2,00 | | | -- |
| 0062 | | VTDD01695 | | NUT M 8 INX | 2,00 | | | -- |
| 0063 | | VTDD01695 | | NUT M 8 INX | 2,00 | | | -- |
| 0064 | | LAFN06391 | | BUSHING PARALLELOGRAMMA | 1,00 | | | -- |
| 0065 | | LAFN07910 | | BRACKET - | 1,00 | | | -- |
| 0066 | | VTVT01695 | | GRUB SCREW M6X10 | 1,00 | | | -- |
| 0067 | | LAFN07929 | | TUBE - | 1,00 | | | -- |
| 0068 | | VTVT01379 | | SCREW 4X6 | 2,00 | | | -- |
| 0069 | | LAFN07926 | | BRACKET - | 1,00 | | | -- |
| 0070 | | VTVT01300 | | SCREW TE M5X12 INOX | 2,00 | 11/2012 | | -- |
| 0071 | | VTRS13750 | | WASHER D. 5X14 INX | 2,00 | 11/2012 | | -- |
| 0072 | | MPVR06259 | | BRACKET - | 1,00 | 11/2012 | | -- |
| 0073 | | MPVR06257 | | COVER - | 1,00 | 11/2012 | | -- |
| 0074 | | MPVR06045 | | CONVEYOR - | 1,00 | 09/2013 | | -- |



PLDC01953_2

| Ref. | K | Part N. | Customer Part N. | Description | Qty | Validity: | | Price |
|------|---|-----------|------------------|------------------------|------|-----------|----|-------|
| | | | | | | From | To | |
| EV1 | | MEEV00037 | | SOLENOID VALVE | 1,00 | | | -- |
| M1 | | MOCC00397 | | MOTOR VACUUM CT15-CT30 | 1,00 | | | -- |
| M2 | | MOCC00392 | | MOTOR BRUSH 24V CT15B | 1,00 | | | -- |