



## Electronic Service Manuals

This electronic document is provided as a service to our customers. We do not create the contents of the information contained in this document. Should you have detailed questions pertaining to the information contained in this document, you may contact Michco, or the manufacturer which provided the original information in this electronic deliverable. Michco's only part in this electronic deliverable was the electronic assembly process. By providing this manual on line we are not guaranteeing parts availability.

You may contact Michco through the following methods:

Phone (517) 484-9312 or (800) 331-3339

2011 N. High St. -- Lansing, Michigan -- 48906

Fax: (517) 484-9836

Email: [CustServe@Michco.com](mailto:CustServe@Michco.com)

Web site: [www.Michco.Com](http://www.Michco.Com)

Parts Web site: [www.FloorMachineParts.Com](http://www.FloorMachineParts.Com)

Order Parts on Line at:

**[www.FloorMachineParts.Com](http://www.FloorMachineParts.Com)**

Directly to Parts & Service:

By Email: **[Shop@Michco.com](mailto:Shop@Michco.com)**

By Fax: (517) 702-2041

By Voice: Use numbers above.

***Serving the Cleaning Industry Since 1922***

Notice: All copyrighted material remains property of original owners, all trademarks are property of respective owners. Manuals are subject to Manufacturer's reproduction limitations. Originals or reproductions were provided by manufacturers through a request. We make no warranty as to the correctness of information provided in this document and you assume all risk. By placing these manuals on line we are not declaring our corporation to be an manufacturer authorized dealer or provider, please check our web site for authorized manufacturers we represent.



IPC Integrated Professional Cleaning

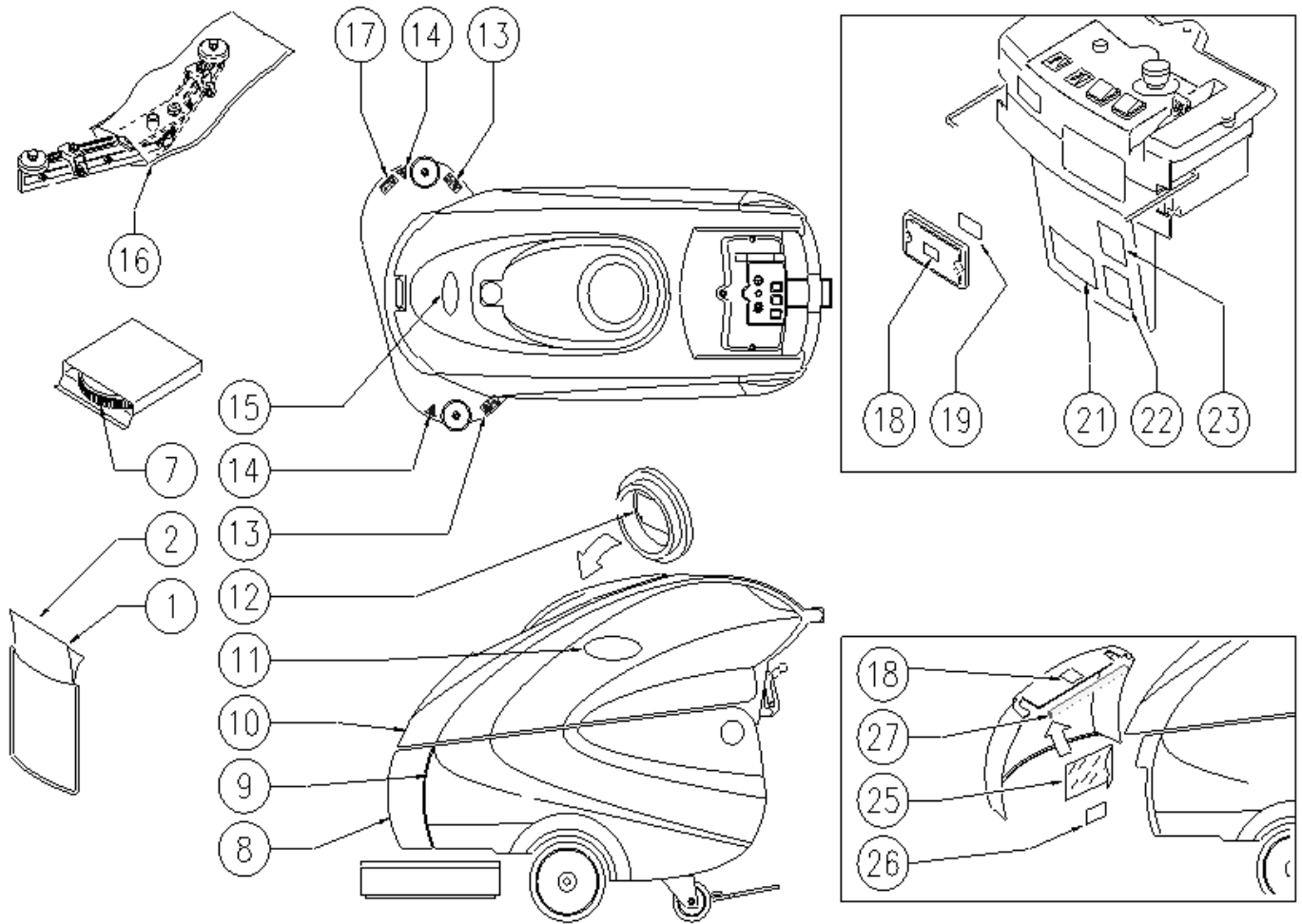
**IPC**Gansow

## **Spare Parts List**

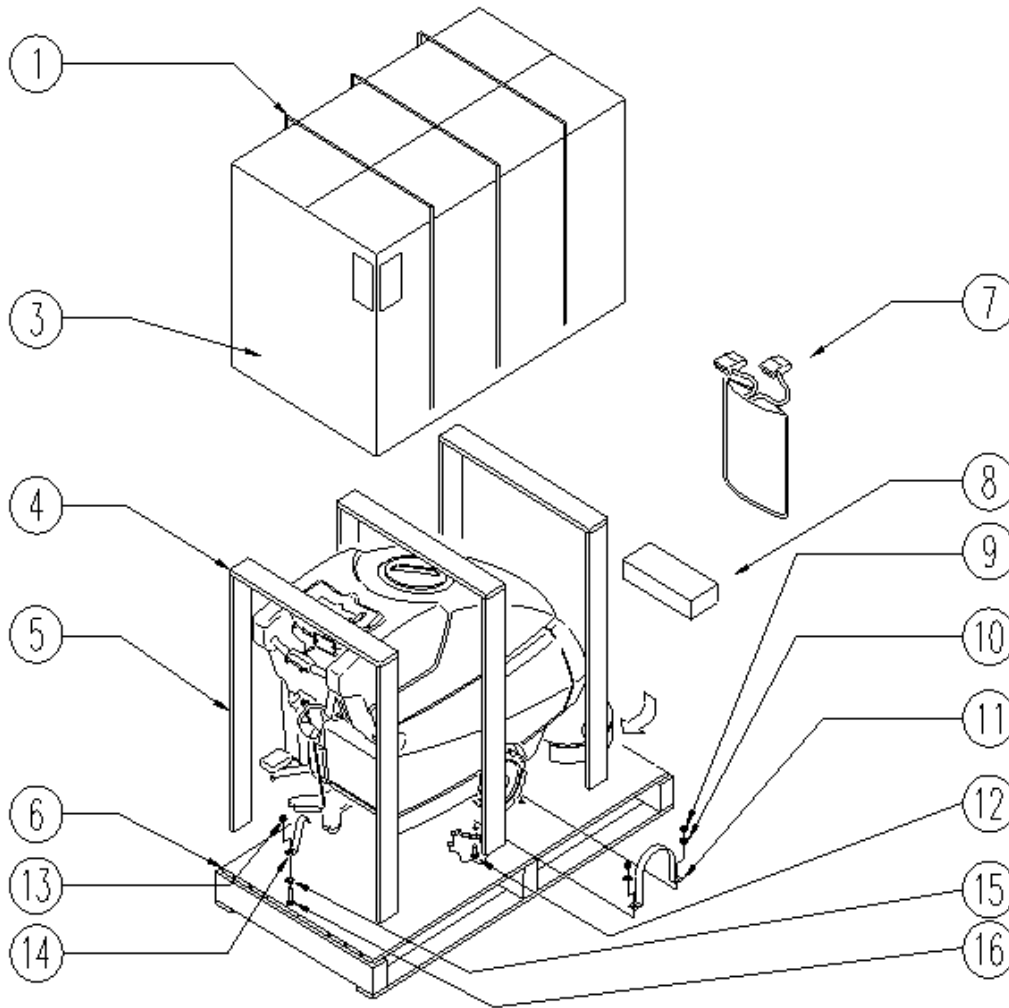
**IPC EAGLE**

**Ref: LPTB00561**

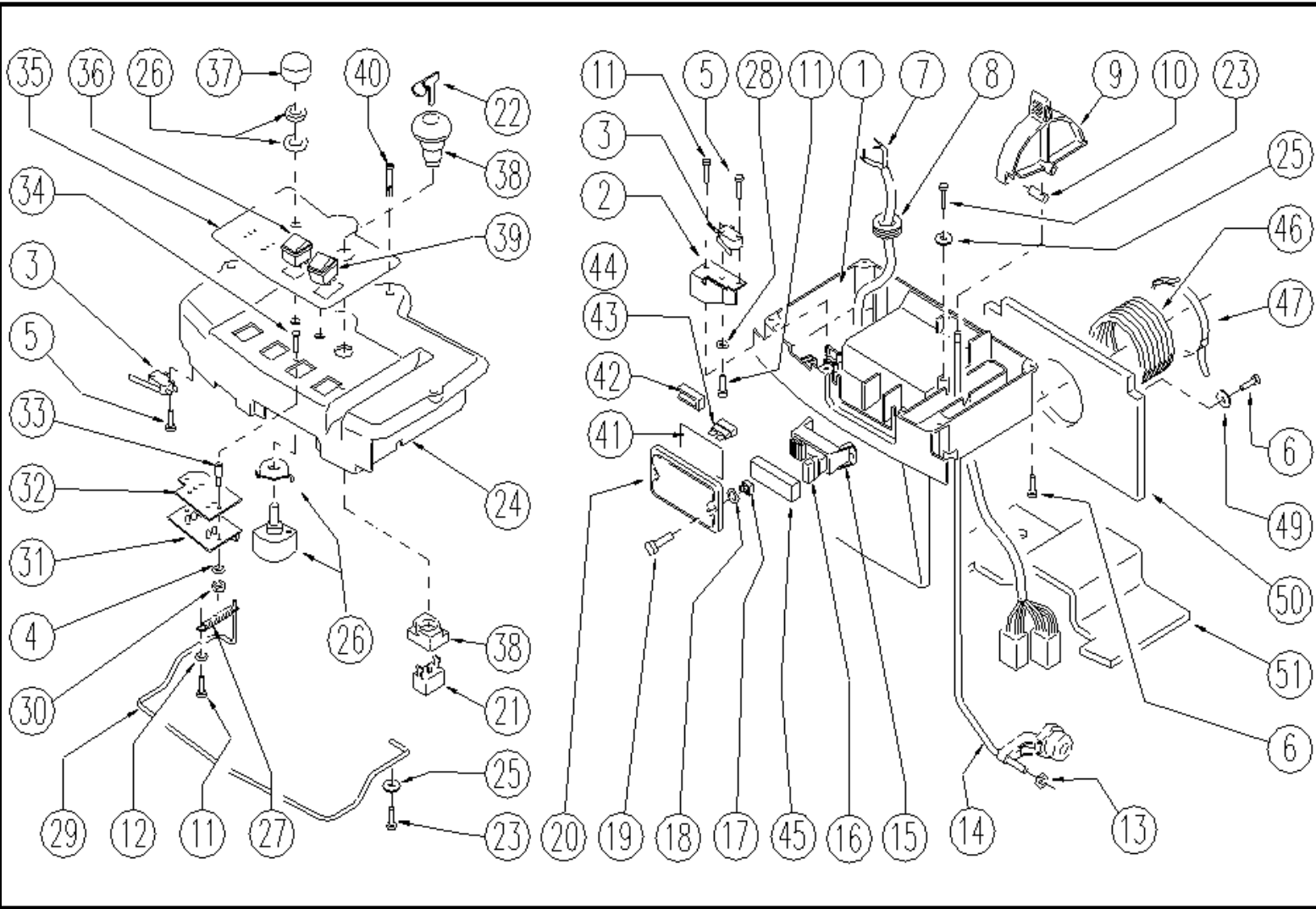
**Model: CLEAN TIME 100 BT 85 24V**



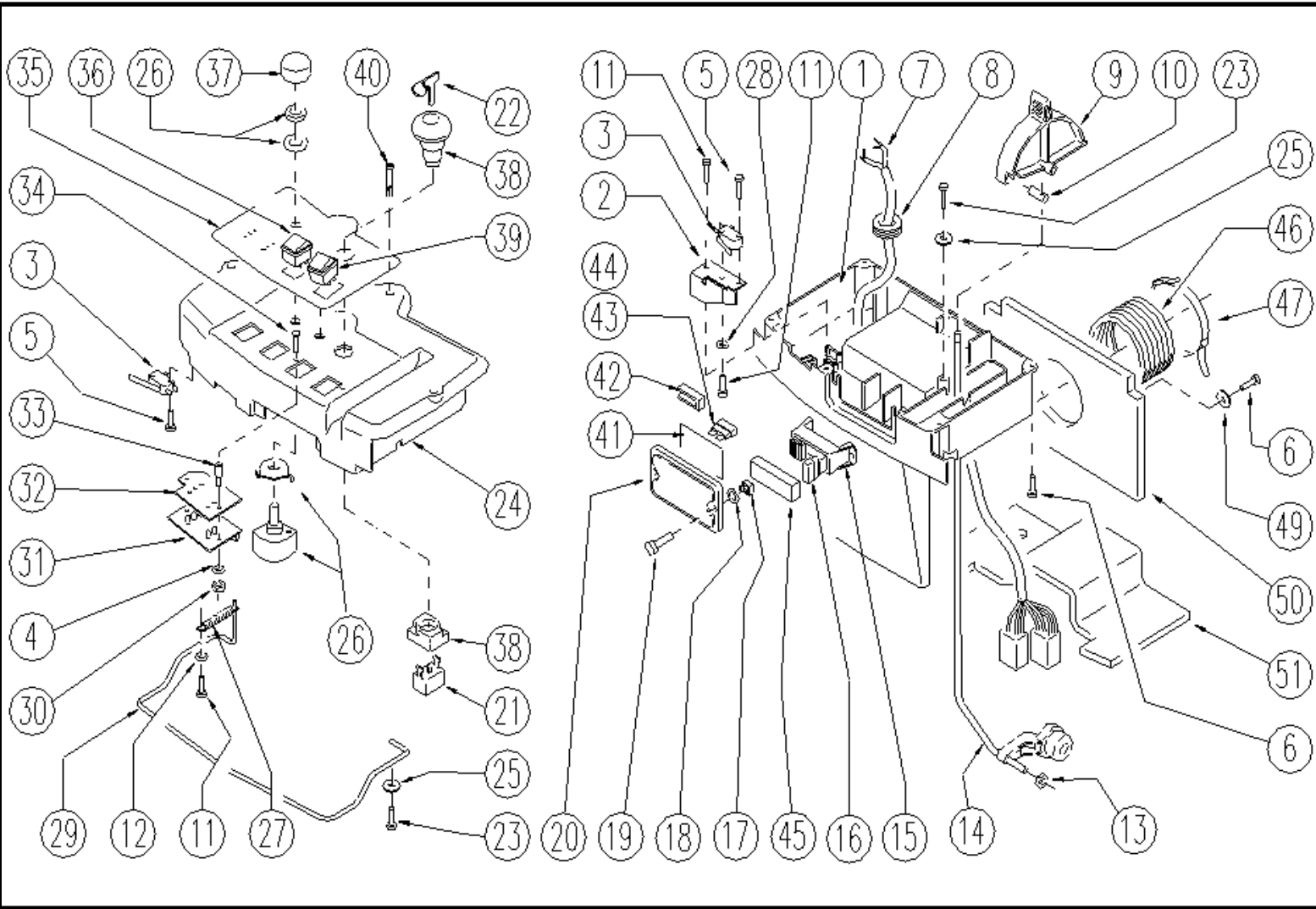
Ref. K	Part N.	Customer Part N.	Description	Qty	Validity:		Price
					From	To	
0001	PLDC01419		MANUAL USO CLEANTIME	1,00	08/2003	--	--
0002	PLDC01417		MANUAL RICAMBI	1,00	08/2003	--	--
0007	SPPV00417		BRUSH NYLON	2,00	12/2002	--	--
0008	MPVR05072		SIDE PANEL PANTHER 2	1,00		--	--
0009	MPVR04081		TANK SOLUZ.HARM.	1,00	11/2003	--	--
0010	MPVR04085		TANK RECUP.HARM	1,00	11/2003	--	--
0011	ETET01366		LABEL LATERALE CLT 100	2,00	10/2003	--	--
0012	ETET00554		ADHESIVE AVVERTENZE	1,00	12/2002	--	--
0013	ETET00906		ADHESIVE SIMBOLO PERICOLO DI ABRAS	2,00		--	--
0014	ETET00897		ADHESIVE SIMBOLO PERICOLO	2,00	12/2002	--	--
0015	ETET02000		LABEL LOGO IPC	1,00	02/2004	--	--
0016	MIVR00048		TUBE UNIBOL	1,00	12/2002	--	--
0017	ETET00898		ADHESIVE SIMBOLO SCHIACCIAMENTO	1,00	12/2002	--	--
0018	ETET00763		LABEL SIMBOLO FUSIBILI	2,00	12/2002	--	--
0019	ETET01328		LABEL AVVERTENZA FUSIBILI	1,00	12/2002	--	--
0021	ETET00730		LABEL BATTERIE SCOLLEGATE	1,00	12/2002	--	--
0022	ETET00463		ADHESIVE SCARICO ACQUA	1,00	12/2002	--	--
0023	ETET00550		ADHESIVE PENDENZA	1,00	12/2002	--	--
0026	ETET01329		LABEL AVVERTENZA FUSIBILI	1,00	12/2002	--	--
0027	GUGO00110		GASKET COPERCHIO SERBATOIO	1,00		--	--



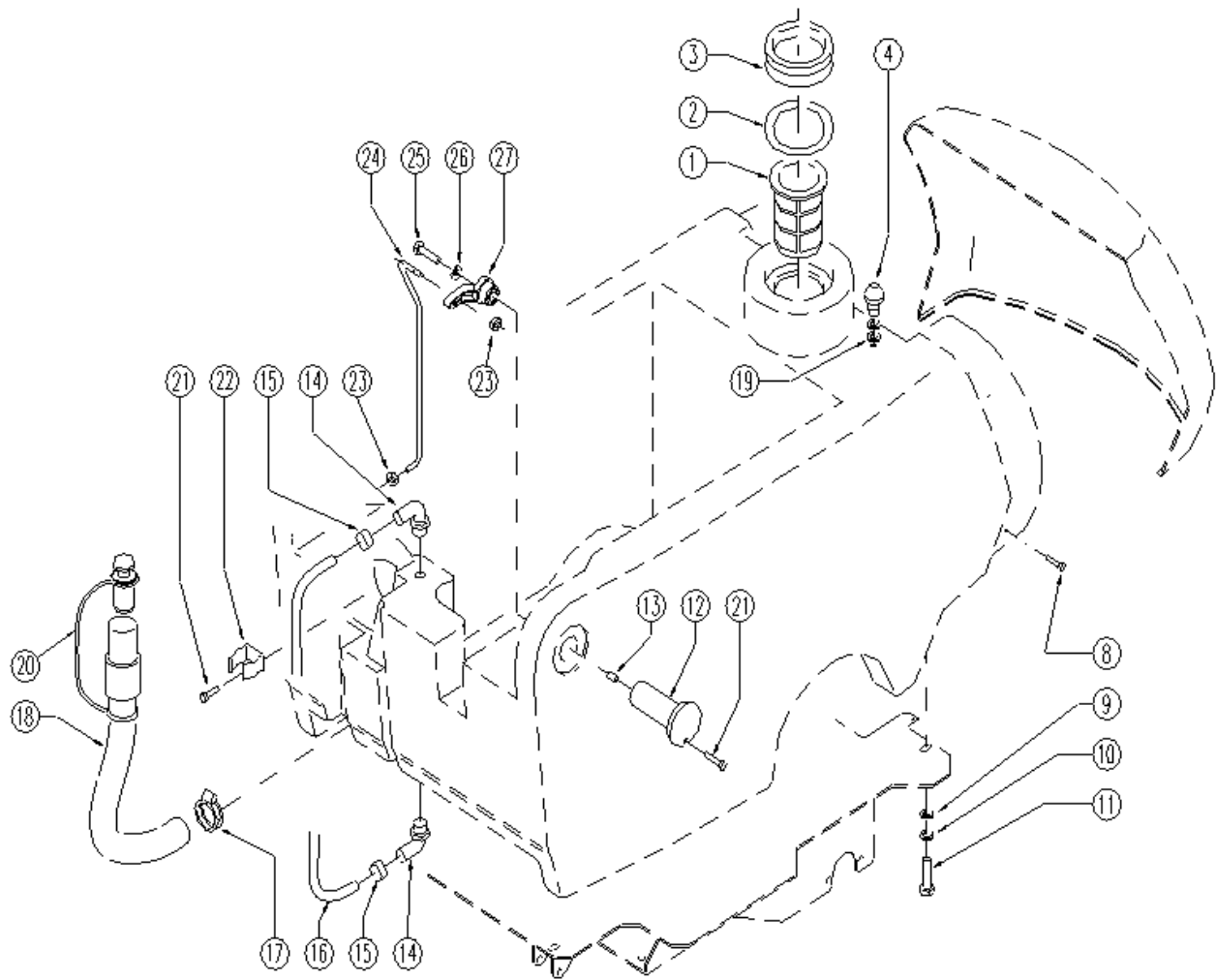
Ref. K	Part N.	Customer Part N.	Description	Qty	Validity:		Price
					From	To	
	MISC00010		SACK 2500X16000	1,00	12/2002		--
0001	MPVR02139		STRAP IN POLIPROP. 15X0.80 MM	3,00			--
0003	MICT00127		CARTON IMBALLO	1,00	12/2002		--
0004	MIVR00092		LATH LEGNO	3,00	12/2002		--
0005	MIVR00102		LATH LEGNO VERT.	6,00	12/2002		--
0006	MIBA00071		PALLET	1,00	12/2002		--
0007	MEVR34820		WIRING B 450 BT	3,00	12/2002		--
0008	MIVR00110		POLYSTYRENE TESTATA	1,00	12/2002		--
0009	VTDD00124		NUT M 8 BASSO	4,00	12/2002		--
0010	VTRS00294		WASHER D. 8	4,00	12/2002		--
0011	LAFN05651		BRACKET IMBALLO	2,00	12/2002		--
0012	VTVT00635		SCREW	4,00	12/2002		--
0013	VTDD01695		NUT M 8 INX	1,00	12/2002		--
0014	LAFN05729		BRACKET IMBALLO	1,00	12/2002		--
0015	VTRS00293		WASHER D. 8-24	1,00	12/2002		--
0016	VTVT00733		SCREW TE M. 8.75	1,00	12/2002		--



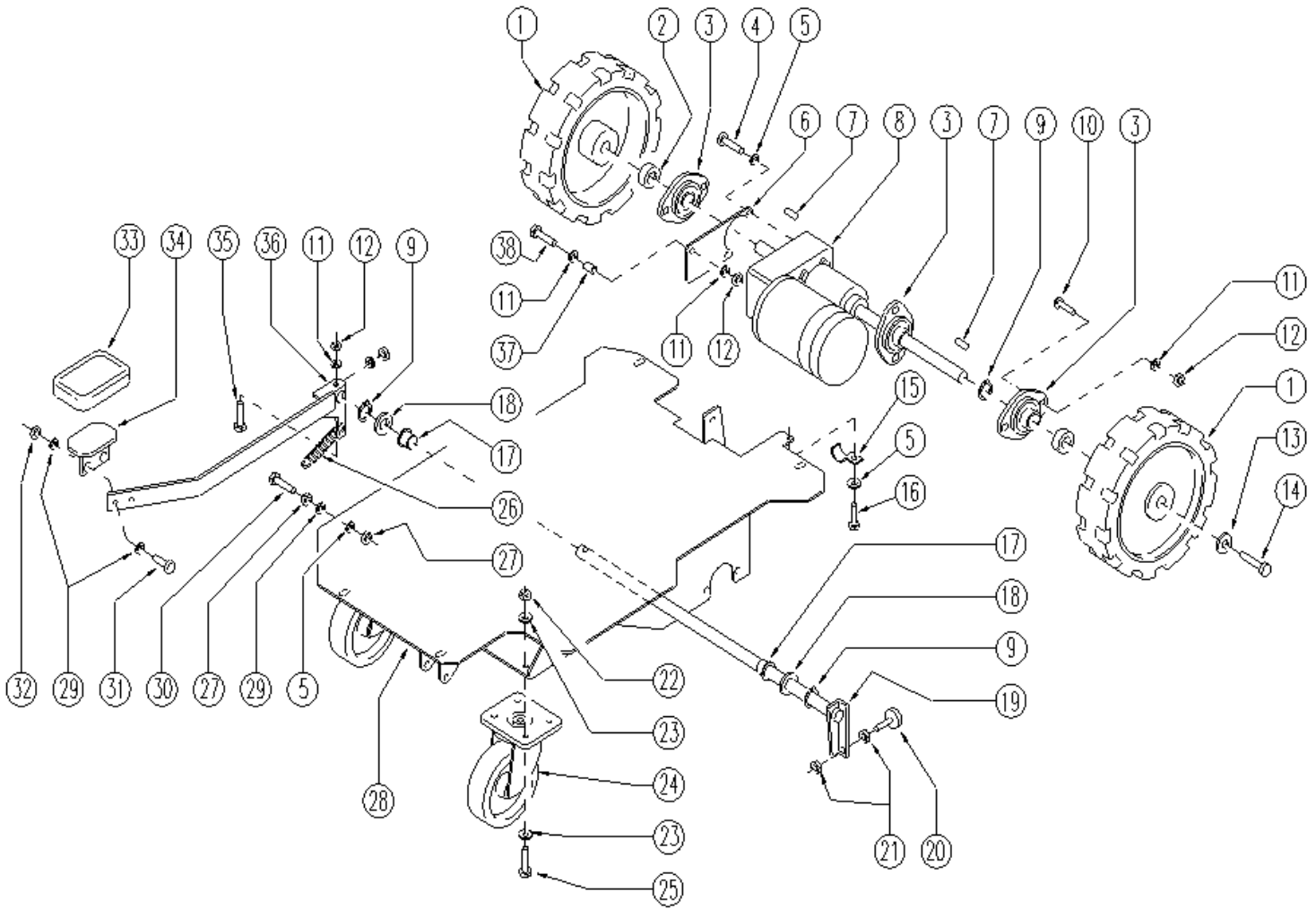
Ref. K	Part N.	Customer Part N.	Description	Qty	Validity:		Price
					From	To	
0001	MPVR03843		PANEL COMANDI INFER.	1,00			--
0002	LAFN05615		SPRING LEVA ANTISCH./SUPP. MICRO	1,00	03/2004		--
0003	MECI00310		MICROSWITCH	3,00	03/2004		--
0004	VTRS00268		WASHER D.3	2,00	03/2004		--
0005	VTVT00744		SCREW	6,00	03/2004		--
0006	VTVT28553		SCREW TCB-TC 3.5X16	6,00	03/2004		--
0007	MECB00773		CABLE PANNELLO COMANDI	1,00			--
0008	MEVR01331		FAIR-LEAD PVC	1,00	03/2004		--
0009	MPVR03845		LEVER REGOLAZ.	1,00	03/2004		--
0010	LAFN05103		ARTICULATION SUPERIORE	1,00	03/2004		--
0011	VTVT00820		SCREW TC+ M.3,5-10	5,00	03/2004		--
0012	VTRS15958		WASHER D. 5 X15 UNI 6593	1,00	03/2004		--
0013	VTDD00157		NUT M. 6 DIN 985 ZN	1,00			--
0014	LAFN05645		ROD SUPERIORE RUBINETTO	1,00			--
0015	MEVR01387		BODY SENZA TERMINALI	1,00	03/2004		--
0016	MEVR01132		FUSE A LAMA 5 A.	4,00	03/2004		--
0017	VTDD00167		NUT M.6	2,00	03/2004		--
0018	GUGO00150		NUT	4,00	03/2004		--
0019	VTVT00858		SCREW	2,00	03/2004		--
0020	MPVR35628		COVER LAV.	1,00	03/2004		--
0021	MECI00403		CONTACT -	1,00			--
0022	CHVR00051	#8479.90.9498	DIASS.SPANNERPULSANTE FUNGO	1,00			--
0023	VTVT07859		SCREW TCB-TC 3.5X13 UNI6954	2,00			--
0024	MPVR03841		PANEL COMANDI SUPER.	1,00			--
0025	VTRS13750		WASHER D. 5X14 INX	2,00			--
0026	MEVR01432		POTENTIOMETER A FILO	1,00	03/2004		--
0027	MLML00196		SPRING PER GIUNTO HS NADIR	1,00	03/2004		--
0028	VTRS00501		WASHER D. 4 0.232 UNI 6592	1,00	03/2004		--
0029	LAFN05584		LEVER TRAZIONE	1,00	03/2004		--
0030	VTDD21115		NUT M 3 INOX	2,00	03/2004		--
0031	MECE00345		BOARD LED INGR.POTENZ.+RESET	1,00			--
0032	MPVR02781		PLATE LED	1,00	03/2004		--
0033	LAFN04047		SPACER X SCHEDE M3 15x8x8	2,00	03/2004		--
0034	VTVT00865		SCREW TSP-TC M 3X 6 UNI7688 INX	2,00	03/2004		--
0035	ETET01263		LABEL PANN.COMANDI	1,00	03/2004		--
0036	MECI46638		COMMUTAT.SWITCHO.CT. 0401/C2	1,00	03/2004		--
0037	MPVR36404		KNOB SPECTROL 635M.NE	1,00	03/2004		--
0038	MECI00323		BUTTON FUNGO	1,00			--
0039	MECI00309		SWITCH	1,00	03/2004		--



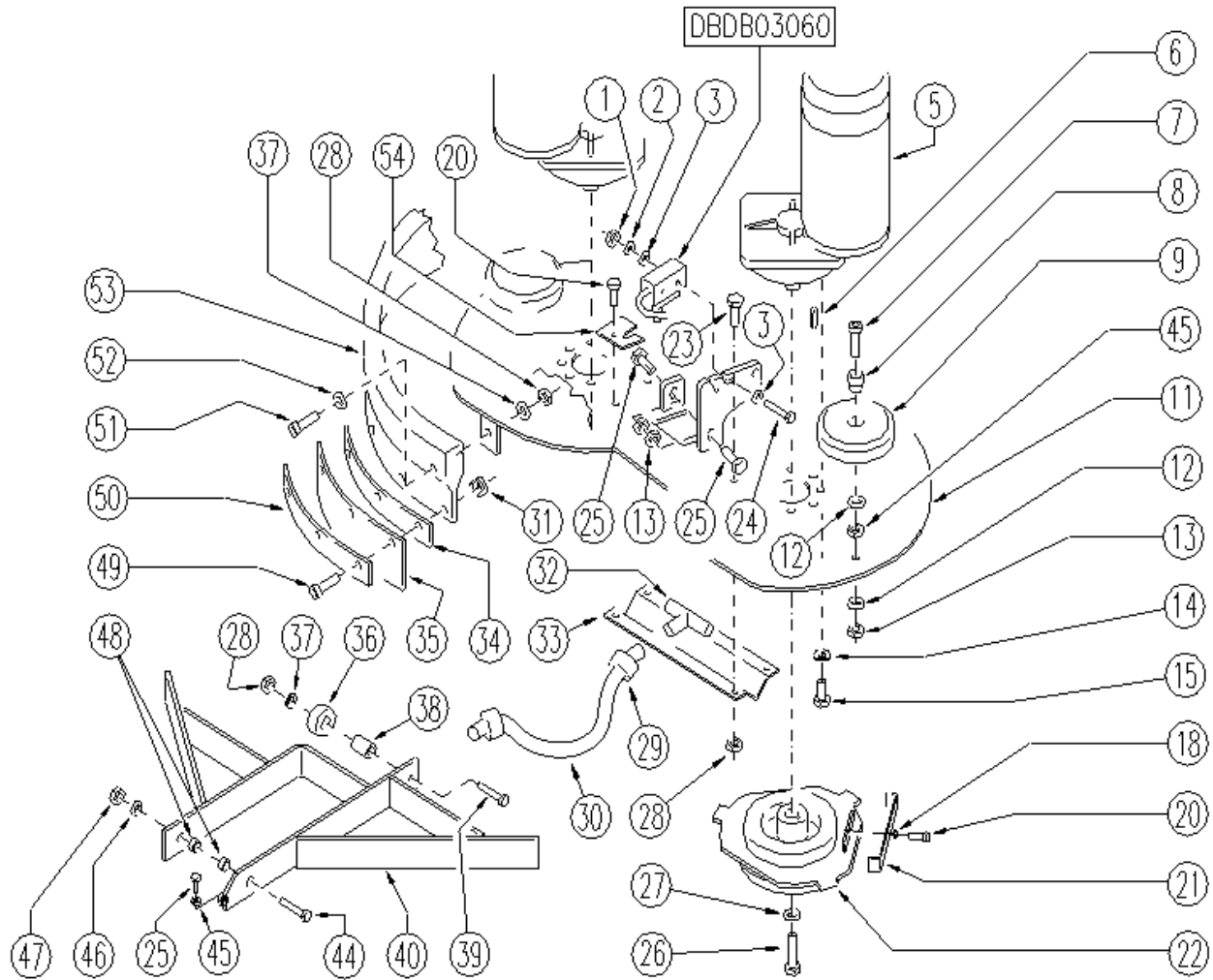
Ref. K	Part N.	Customer Part N.	Description	Qty	Validity:		Price
					From	To	
0040	MPVR02940		KLIP D. 6,5 L=15	1,00	03/2004	--	--
0041	ETET01328		LABEL AVVERTENZA FUSIBILI	1,00	03/2004	--	--
0042	MEVR01153		FUSE FUSIBILI	1,00	03/2004	--	--
0043	MEVR01316		FUSE A LAMA 10 A. 32V	1,00	03/2004	--	--
0044	MEVR01380		FUSE A LAMA	1,00	03/2004	--	--
0045	MEVR01383		COVER PVC TRASP.	1,00	03/2004	--	--
0046	TBBP00225		TUBE D 80-320 MM	1,00		--	--
0047	FSVR00083		CLAMP 62-82	1,00		--	--
0049	VTRS00291		WASHER D. 5 X20 ZC UNI 6593	2,00	03/2004	--	--
0050	ITSO00031		SOUND-PROOFING PARETE POST. PANN.COM.SK	1,00	03/2004	--	--
0051	ITSO00032		SOUND-PROOFING PARETE INFER.PANN.COM.SK	1,00	03/2004	--	--



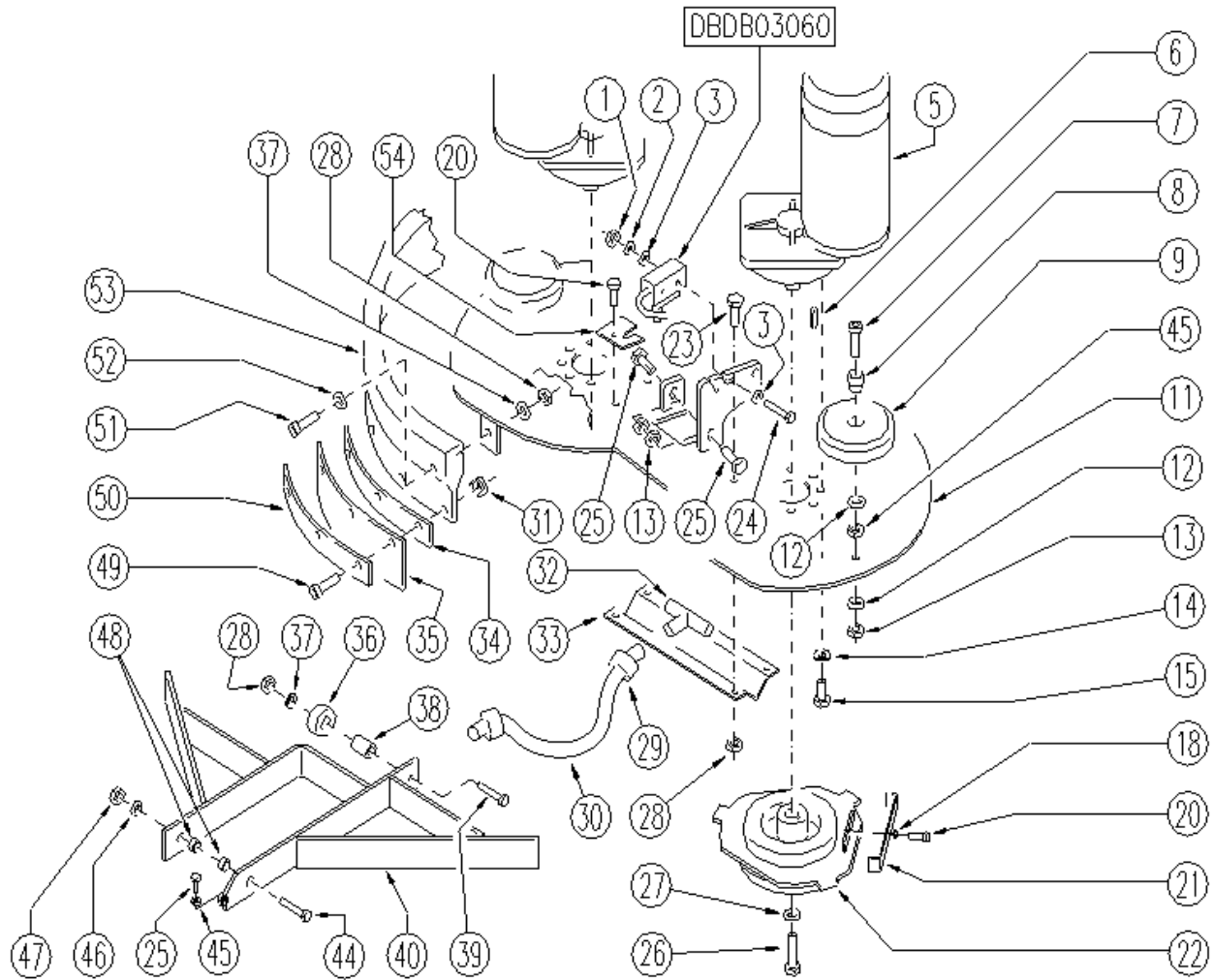
Ref. K	Part N.	Customer Part N.	Description	Qty	Validity:		Price
					From	To	
0001	FTAC48857		FILTER ASP. ACQUA SERB. LAVAP.	1,00	12/2002	--	--
0002	GUVR48858		GASKET SRB.SHK	1,00	12/2002	--	--
0003	GUVR48859		GASKET SHK	1,00	12/2002	--	--
0004	LAFN04044		PIN APERTURA SERBATOIO	1,00	12/2002	--	--
0008	VTVT00874		SCREW TTL INTAGLIO M. 5-10	4,00	12/2002	--	--
0009	VTRS15524		WASHER D.10	4,00	12/2002	--	--
0010	VTRS15909		WASHER D.10	4,00	12/2002	--	--
0011	VTVT00455		SCREW TE 10X20 UNI5739	4,00	12/2002	--	--
0012	MPVR48695		PIN SHK.BK	2,00	12/2002	--	--
0013	VTVR48693		INSERT M6 D.9	1,00	12/2002	--	--
0014	RCVR45752		HOSE FITTING "L" 3/8M - D.10 PLS.	2,00	12/2002	--	--
0015	FSVR00096		CLAMP 10-16 INOX	2,00	12/2002	--	--
0016	TBBP00202		TUBE D 10 L=420 MM	1,00	12/2002	--	--
0017	FSVR43136		CLAMP D. 35-40 DF.	1,00	12/2002	--	--
0018	TBFX00208		TUBE DI SCARICO	1,00	12/2002	--	--
0019	VTRS15523		WASHER D.10 X21 INOX UNI 6592	2,00	12/2002	--	--
0020	MPVR05064		CAP COMPLETO	1,00	12/2002	--	--
0021	VTVT48694		SCREW TCB TC 5 X12 UNI 9707 TZ	4,00	12/2002	--	--
0022	MPVR46988		CLIP LAV. SHK	1,00	12/2002	--	--
0023	VTDD15518		NUT M 6 INX	2,00	12/2002	--	--
0024	LAFN05609		ROD INFERIORE RUBINETTO	1,00	12/2002	--	--
0025	VTVT15906		SCREW TE 6X 12 A2 UNI 5739	1,00	12/2002	--	--
0026	VTRS00239		WASHER D.6-18	1,00	12/2002	--	--
0027	MPVR49471		LEVER SHK	1,00	12/2002	--	--



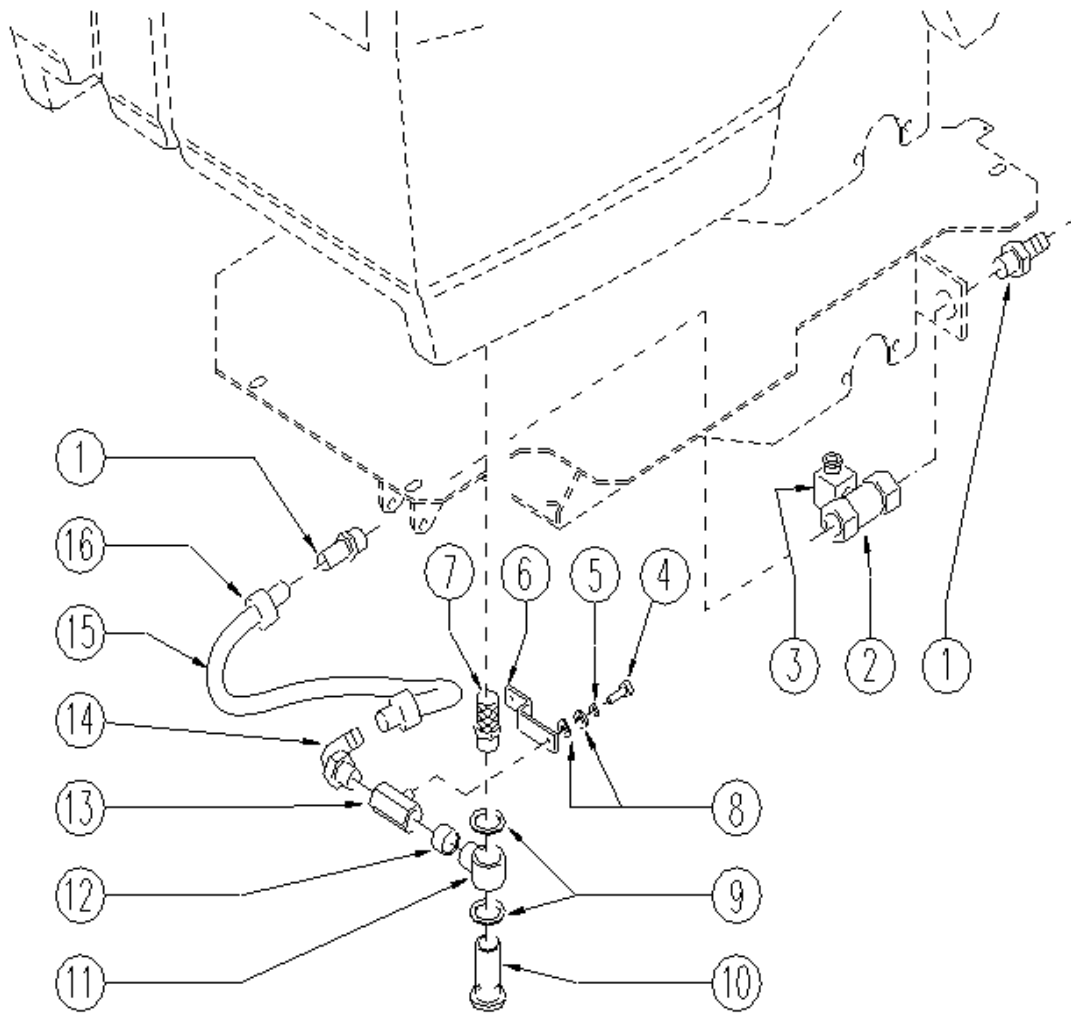
Ref.	K	Part N.	Customer Part N.	Description	Qty	Validity:		Price
						From	To	
0001		RTRT00294		WHEEL D.250X60	2,00	12/2002	--	--
0002		LAFN05311		SPACER X CUSCINETTO	2,00	12/2002	--	--
0003		CUVR00105		SUPPORT	3,00	12/2002	--	--
0004		VTVT15143		SCREW TE 6X16 UNI5739	2,00	12/2002	--	--
0005		VTRS15144		WASHER D. 6 INX GRW UNI 1751	4,00	12/2002	--	--
0006		LAFN05617		PLATE FISSAGGIO MOTORE TRAZIONE	1,00	12/2002	--	--
0007		VTVR33668		KEY 6x 6x40 UNI 6604A	2,00	12/2002	--	--
0008		MEVR34441		CARBON 7X14X19 200/400W 24V	4,00	12/2002	--	--
0008		MOC00235		MOTOR.GEARBOX TRAZIONE CABLATO	1,00	12/2002	--	--
0009		VTAE00050		RING D'ARRESTO ALBERO	3,00	12/2002	--	--
0010		VTVT00842		SCREW	6,00	12/2002	--	--
0011		VTRS13947		WASHER D. 8 INX UNI 6592	9,00	12/2002	--	--
0012		VTDD01695		NUT M 8 INX	7,00	12/2002	--	--
0013		VTRS00278		WASHER D.8X32 ZINC.BIANCA 6593	2,00	12/2002	--	--
0014		VTVT00779		SCREW TBEI M.8-16	2,00	12/2002	--	--
0015		FSVR00104		CLAMP XTUBO RIGIDO	1,00	12/2002	--	--
0016		VTVT15906		SCREW TE 6X 12 A2 UNI 5739	1,00	12/2002	--	--
0017		CUVR44348		BUSHING CB 85 2010 31T	2,00	12/2002	--	--
0018		VTRS00287		WASHER D20 ZINCATA BIA.UNI 6592	2,00	12/2002	--	--
0019		LAFN05840		AXLE FRENO	1,00	06/2003	--	--
0020		MPVR04162		CAP FRENO	2,00	12/2002	--	--
0021		VTDD15521		NUT M 8 INX A2 UNI 5588	4,00	12/2002	--	--
0022		VTDD00042		NUT AUT.M10 UNI7474	8,00	12/2002	--	--
0023		VTRS00236		WASHER D.10 UNI 6592 ZINC. PIANA	16,00	12/2002	--	--
0024		RTRT49041		TURNING WHEEL D.125 BNDT	2,00	12/2002	--	--
0025		VTVT03640		SCREW TE 10X25 UNI5740	8,00	12/2002	--	--
0026		MLML00147		SPRING	1,00	12/2002	--	--
0027		VTDD15520		NUT M 6 A2 UNI 5588 INX	2,00	12/2002	--	--
0028		LAFN05592		FRAME PANTHER	1,00	12/2002	--	--
0029		VTRS00245		WASHER D.6 UNI 6592 INOX	5,00	12/2002	--	--
0030		VTVT00701		SCREW TE M.6-30	1,00	12/2002	--	--
0031		VTVT13939		SCREW TE 6X20 UNI5739 INX	2,00	12/2002	--	--
0032		VTDD01694		NUT M 6 INX	2,00	12/2002	--	--
0033		MPVR35598		RUBBER B-BT	1,00	12/2002	--	--
0034		LAFN35599		BRAKE PEDAL LAV. BT	1,00	12/2002	--	--
0035		VTVT00708		SCREW TE M. 8-40	1,00	06/2003	--	--
0036		LAFN05841		LEVER FRENO	1,00	06/2003	--	--
0037		LAFN03913		BUSHING LEVA COFANO	1,00	12/2002	--	--
0038		VTVT13937		SCREW TE M 8X 30 INX UNI 5739	1,00	12/2002	--	--



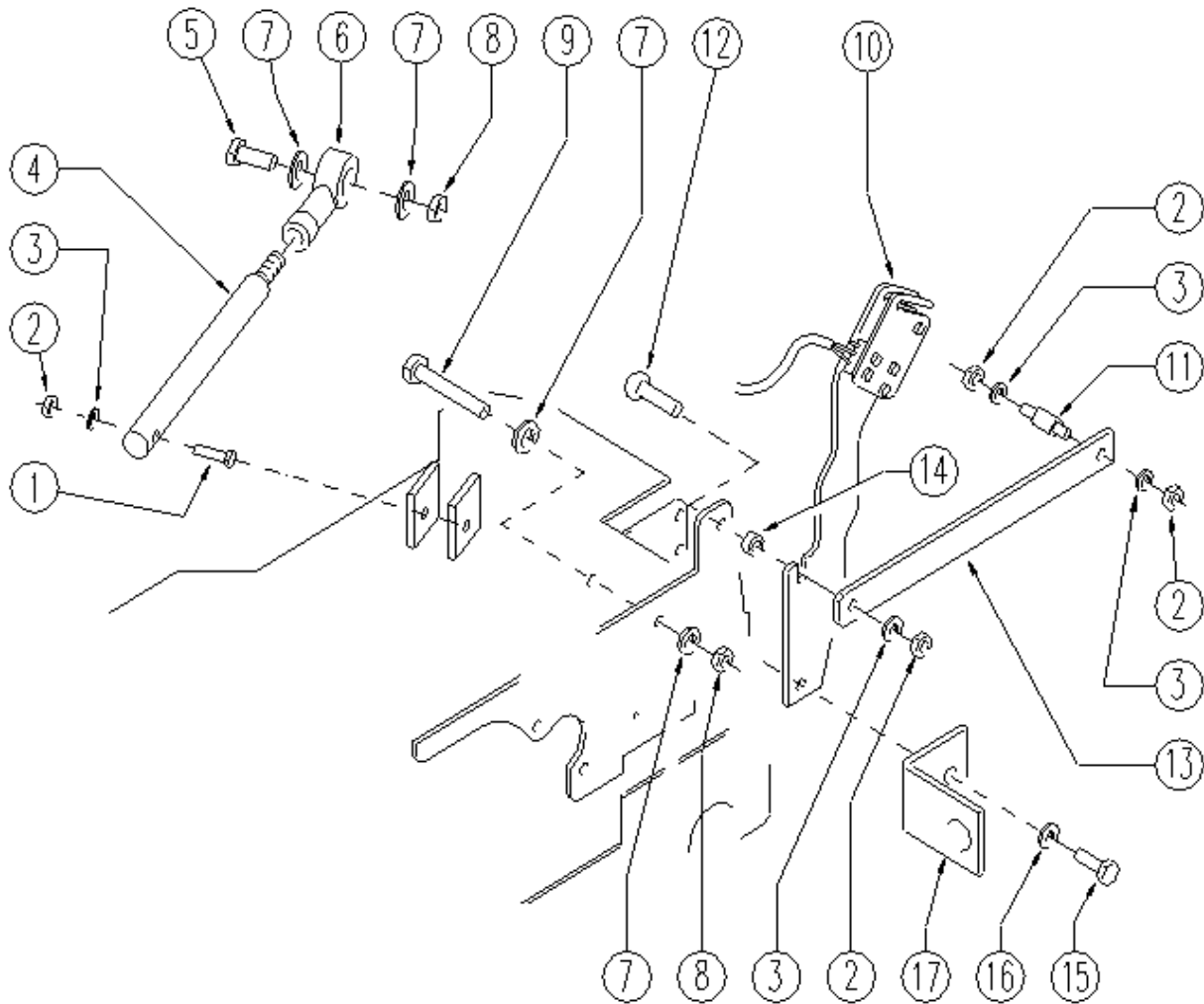
Ref. K	Part N.	Customer Part N.	Description	Qty	Validity:		Price
					From	To	
0001	VTDD15925		NUT M 4 INX	2,00	12/2002		--
0002	VTRS15913		WASHER D. 4 GROVER A2 UNI1751	2,00			--
0003	VTRS00251		WASHER 4-16 INOX A2	4,00	12/2002		--
0005	MEVR33562		CARBON 10X18X18 400W 12V	8,00			--
0005	MOCC00143		MOTOR MRP6 V24	2,00			--
0006	VTVR21944		KEY 6X6X30	2,00	12/2002		--
0007	VTVT00775		SCREW TCEI M 8X40 ZC.BK UNI5931	2,00	09/2006		--
0007	VTVT63038		SCREW TCEI M8X45 BR	2,00	12/2002	09/2006	--
0008	LAFN03915		BUSHING NUOVO RUOTINO STRONG	2,00	12/2002		--
0009	RTRT43370		CASTER D.100 2V.	2,00	12/2002		--
0011	LAFN05611		PLATE TESTATA	1,00	12/2002		--
0012	VTRS13947		WASHER D. 8 INX UNI 6592	2,00	12/2002		--
0013	VTDD01695		NUT M 8 INX	4,00	02/2003		--
0014	VTRS15144		WASHER D. 6 INX GRW UNI 1751	14,00	12/2002		--
0015	VTVT15906		SCREW TE 6X 12 A2 UNI 5739	14,00	12/2002		--
0018	VTRS15913		WASHER D. 4 GROVER A2 UNI1751	2,00	06/2003		--
0020	VTVT21887		SCREW TCB-TC 4X10 8112	3,00	12/2002		--
0021	MLML00231		SPRING ANTISGANCIO 85 X FLANGIA	2,00	12/2002		--
0022	MFVR00133		FLANGE TRASC. SPAZZOLA	2,00			--
0023	VTVT00787		SCREW TBEI M 6-16	4,00	12/2002		--
0024	VTVT20824		SCREW TE M 4X 40 UNI 5739 ZC	2,00	12/2002		--
0025	VTVT15907		SCREW TE 8X25 UNI5739 INX	2,00	06/2003		--
0026	VTVT00179		SCREW TSPEI M 8X30	2,00	05/2003		--
0027	VTRS00289		WASHER D.10,5-40	2,00	12/2002		--
0028	VTDD15518		NUT M 6 INX	10,00	12/2002		--
0029	FSVR00091		CLAMP 14-24	2,00			--
0030	TBBP00362		TUBE	1,00			--
0031	VTDD00175		NUT M.6 TONDO FILET.4 PUNTE	8,00	12/2002		--
0032	RCVR00483		CONNECTOR 3 VIE	1,00	12/2002		--
0033	LAFN05644		DISTRIBUTOR ACQUA TESTATA 85	1,00	12/2002		--
0034	MPVR02815		THICKNESS X FLAP	2,00	12/2002		--
0035	MPVR02786		FLAP TESTATA	2,00	12/2002		--
0036	RTRT49413		WHEEL D. 60-D.15 X36 NYL.	1,00	12/2002		--
0037	VTRS00245		WASHER D.6 UNI 6592 INOX	6,00	12/2002		--
0038	LAFN04041		SPACER D6/15	1,00	12/2002		--
0039	VTVT00655		SCREW TE M. 6-55	1,00	12/2002		--
0040	LAFN05655		BRACKET CENTRAGGIO SPAZZOLE 85	1,00	12/2002		--
0044	VTVT00868		SCREW TE M12-140	1,00	12/2002		--
0045	VTDD15521		NUT M 8 INX A2 UNI 5588	1,00	06/2003		--



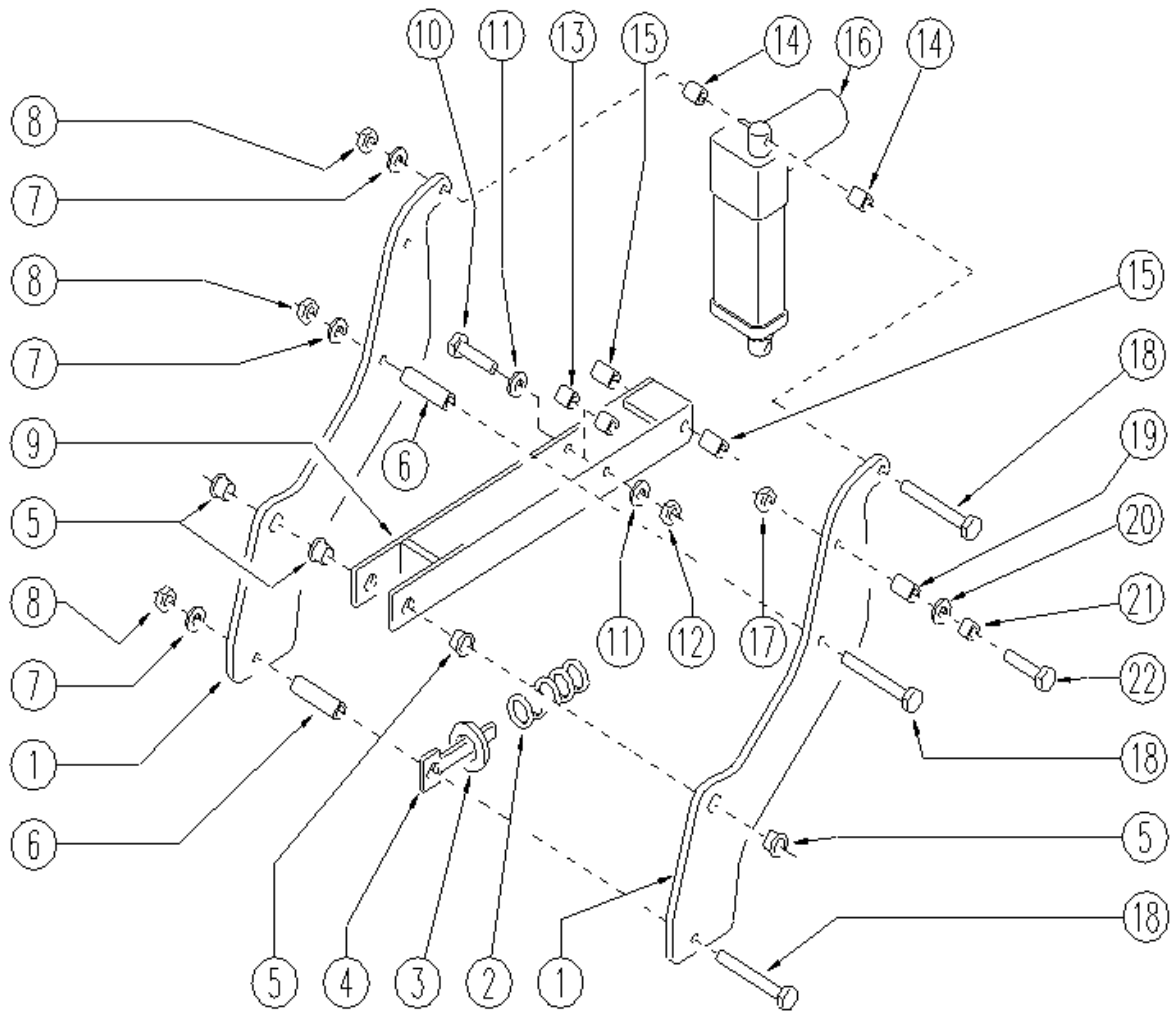
Ref. K	Part N.	Customer Part N.	Description	Qty	Validity:		Price
					From	To	
0046	VTRS00232		WASHER D.12 UNI 6592 ZINC.	8,00	12/2002		--
0047	VTDD00131		NUT M.12 AUT. DIN 982 ZINC	1,00	12/2002		--
0048	LAFN03721		BUSHING PEDALIERA	2,00	12/2002		--
0049	VTVT00858		SCREW	6,00	12/2002		--
0050	MPVR02792		FLAP PRESS NYLON NERO SP2	2,00	12/2002		--
0051	VTVT00818		SCREW TBEI 6X35	5,00	12/2002		--
0052	VTRS13945		WASHER D. 6X18 INX UNI 6593	5,00	12/2002		--
0053	MPVR02779		BUMPER TESTATA 85	1,00			--
0054	LAFN05671		PLATE RESCA TESTATA	1,00	12/2002		--



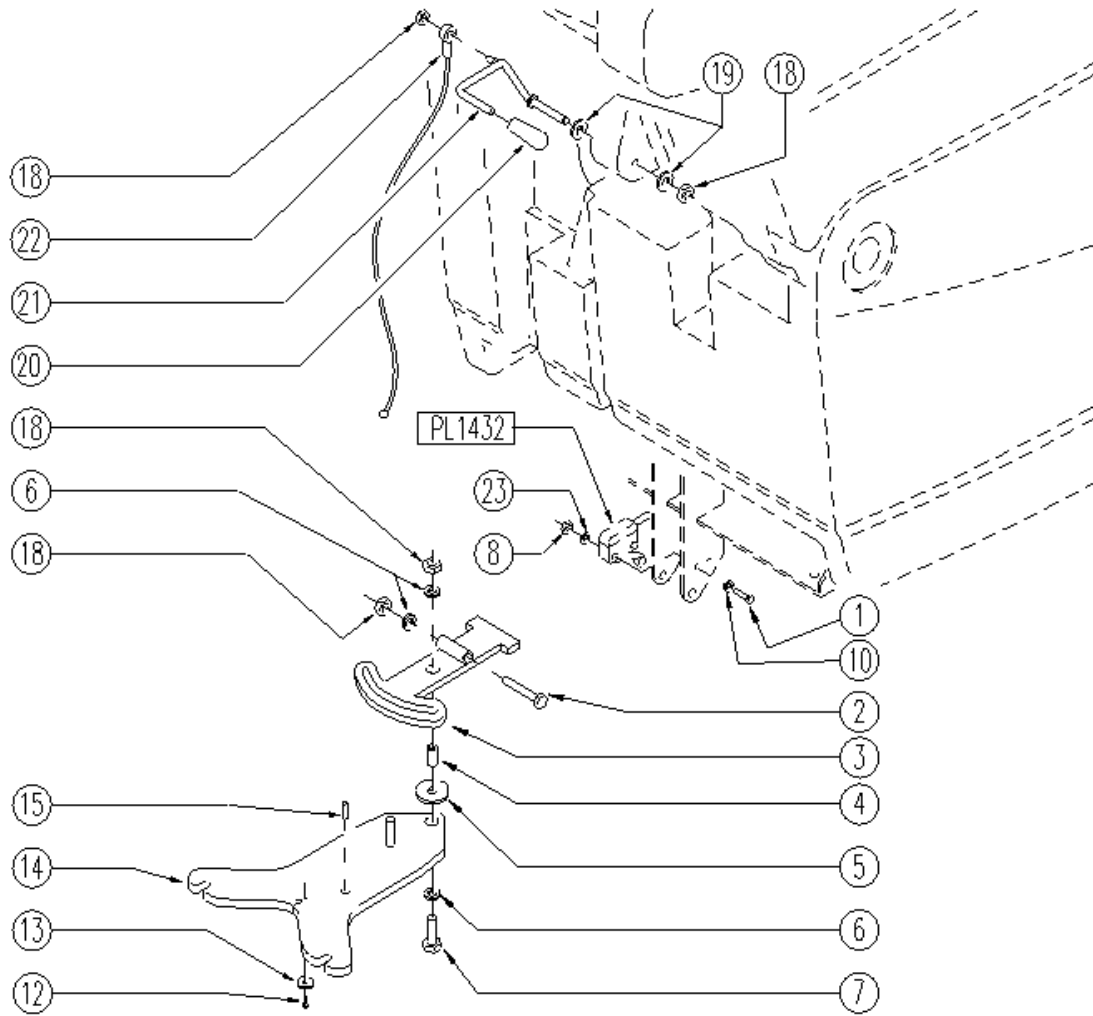
Ref. K	Part N.	Customer Part N.	Description	Qty	Validity:		Price
					From	To	
0001	RCVR00535		CONNECTOR 3/4" M RESCA	2,00	12/2002	--	--
0002	MEEV00015		SOLENOID VALVE	1,00	12/2002	--	--
0003	MEVR01155		CONNECTOR ELETTOVALVOLA	1,00	12/2002	--	--
0004	VTVT00834		SCREW M 3X 6 TCB-TC IX U.7687	1,00	12/2002	--	--
0005	VTRS00251		WASHER 4-16 INOX A2	1,00	12/2002	--	--
0006	LAFN05724		LEVER RUBINETTO	1,00	12/2002	--	--
0007	FTAC00036		FILTER IN RETE	1,00	12/2002	--	--
0008	VTRS13947		WASHER D. 8 INX UNI 6592	2,00	12/2002	--	--
0009	GUVR00213		WASHER GOMMA	2,00	12/2002	--	--
0010	RCDS49623		SCREW G 1/2 L=41.5	1,00	12/2002	--	--
0011	RCDS49622		CONNECTOR OCC 1/2 - 1/2M	1,00	12/2002	--	--
0012	MPVR02862		COVER FISSAG.SERB.	1,00	12/2002	--	--
0013	RCGR00065		TAP F/F 1/2"	1,00	12/2002	--	--
0014	RCVR00537		CONNECTOR MASCH.G1/2 RESCA	1,00	12/2002	--	--
0015	TBBP00322		TUBE	1,00	12/2002	--	--
0016	FSVR00091		CLAMP 14-24	2,00	12/2002	--	--



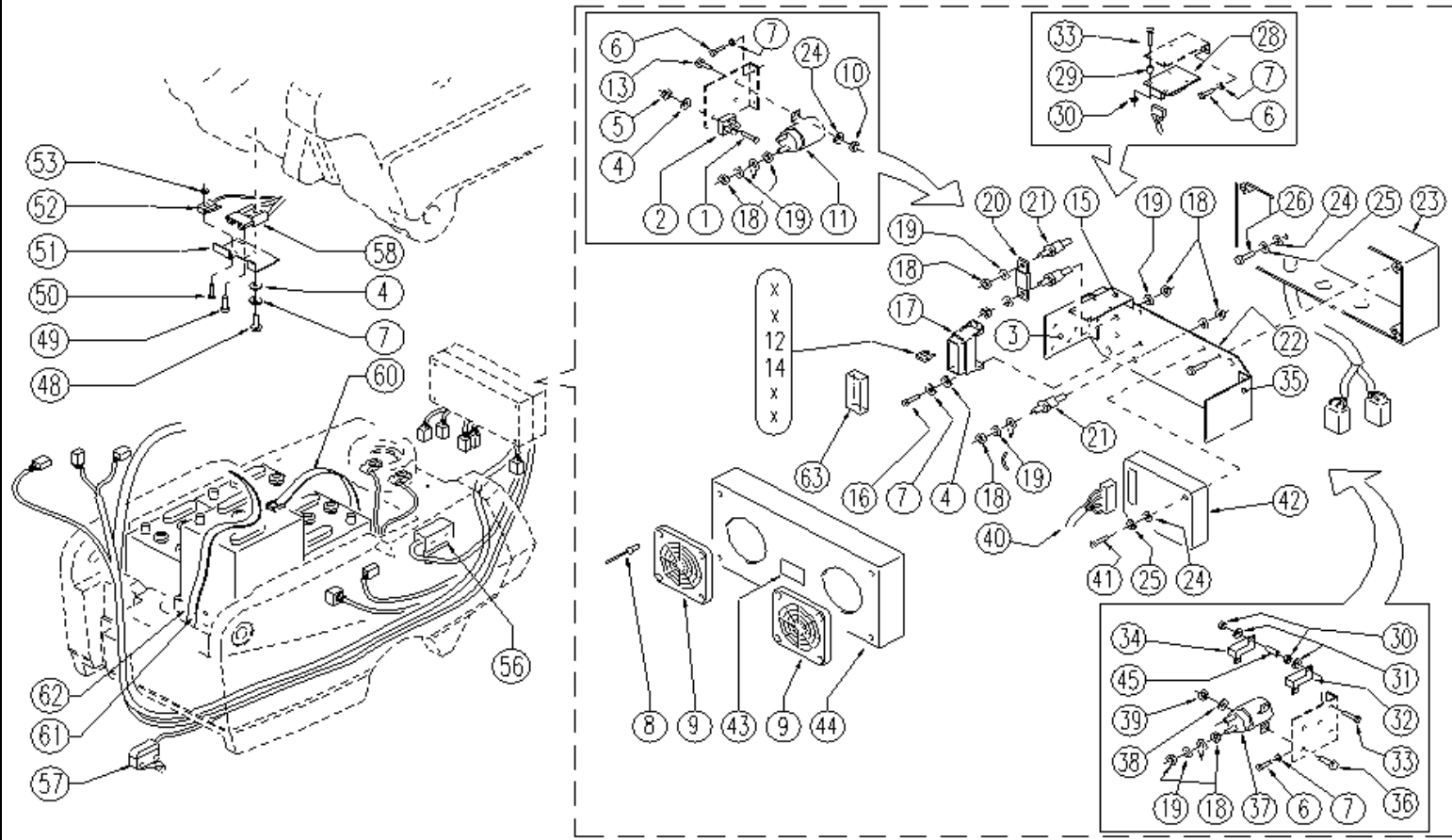
Ref. K	Part N.	Customer Part N.	Description	Qty	Validity:		Price
					From	To	
0001	VTVT15371		SCREW TE M 8X45 INOX A2 UNI	1,00	12/2002		--
0002	VTDD01695		NUT M 8 INX	4,00	12/2002		--
0003	VTRS13947		WASHER D. 8 INX UNI 6592	4,00	04/2003		--
0004	LAFN05600		LEVER LATERALE	1,00	12/2002		--
0005	VTVT00467		SCREW TE M 12X45 ZINC. UNI 5737	1,00	12/2002		--
0006	VTVR00267		ARTICULATION SFERICO D.12	1,00	12/2002		--
0007	VTRS00232		WASHER D.12 UNI 6592 ZINC.	4,00	12/2002		--
0008	VTDD00131		NUT M.12 AUT. DIN 982 ZINC	2,00	12/2002		--
0009	VTVT00285		SCREW TE M12X110	1,00	12/2002		--
0010	MECB00504		GROUP CABLAGGIO	1,00			--
0011	LAFN04113		PIN LEVA SUPERIORE	1,00	02/2003		--
0012	VTVT00781		SCREW TSPEI M.8-25	1,00	04/2003		--
0013	LAFN05604		LEVER SUPERIORE	1,00	12/2002		--
0014	RCDS35584		BUSHING D. 8X12X 4.3	1,00	12/2002		--
0015	VTVT13938		SCREW TE 8X20 UNI5739 INX	1,00	12/2002		--
0016	VTRS01080		WASHER D. 8 GRW	1,00	12/2002		--
0017	LAFN05643		BRACKET ELETTRIVALVOLA	1,00	12/2002		--



Ref. K	Part N.	Customer Part N.	Description	Qty	Validity:		Price
					From	To	
0001	LAFN05593		BRACKET	2,00	12/2002	--	--
0002	MLML00227		SPRING DI COMPRESS.	1,00	12/2002	--	--
0003	VTRS00250		WASHER D.14	1,00	12/2002	--	--
0004	LAFN05594		SPRING GUIDE	1,00	12/2002	--	--
0005	CUVR00130		BEARING STRISCIAMENTO	4,00	12/2002	--	--
0006	LAFN04043		SPACER D8.5-15	2,00	12/2002	--	--
0007	VTRS13947		WASHER D. 8 INX UNI 6592	3,00	12/2002	--	--
0008	VTDD01695		NUT M 8 INX	3,00	12/2002	--	--
0009	LAFN05605		ARM	1,00	12/2002	--	--
0010	VTVT00867		SCREW	1,00	12/2002	--	--
0011	VTRS00245		WASHER D.6 UNI 6592 INOX	3,00	12/2002	--	--
0012	VTDD15518		NUT M 6 INX	1,00	12/2002	--	--
0013	LAFN03840		BUSHING	2,00	12/2002	--	--
0014	LAFN04042		SPACER D8.5-15	2,00	12/2002	--	--
0015	RCDS34717		BUSHING D. 9X12X 8.3	2,00	12/2002	--	--
0016	MOCC00226		ATUATOR ALI 1 100MM CABLATO	1,00	12/2002	--	--
0017	VTDD01694		NUT M 6 INX	1,00	12/2002	--	--
0018	VTVT00734		SCREW TE M. 8-80	3,00	12/2002	--	--
0019	LAFN04187		SPACER PER RIDUTTORE	1,00	12/2002	--	--
0020	VTRS13945		WASHER D. 6X18 INX UNI 6593	1,00	12/2002	--	--
0021	LAFN03742		SPACER SILENZIATORE	1,00	12/2002	--	--
0022	VTVT15145		SCREW TE 6X40 UNI5739 INX	1,00	12/2002	--	--

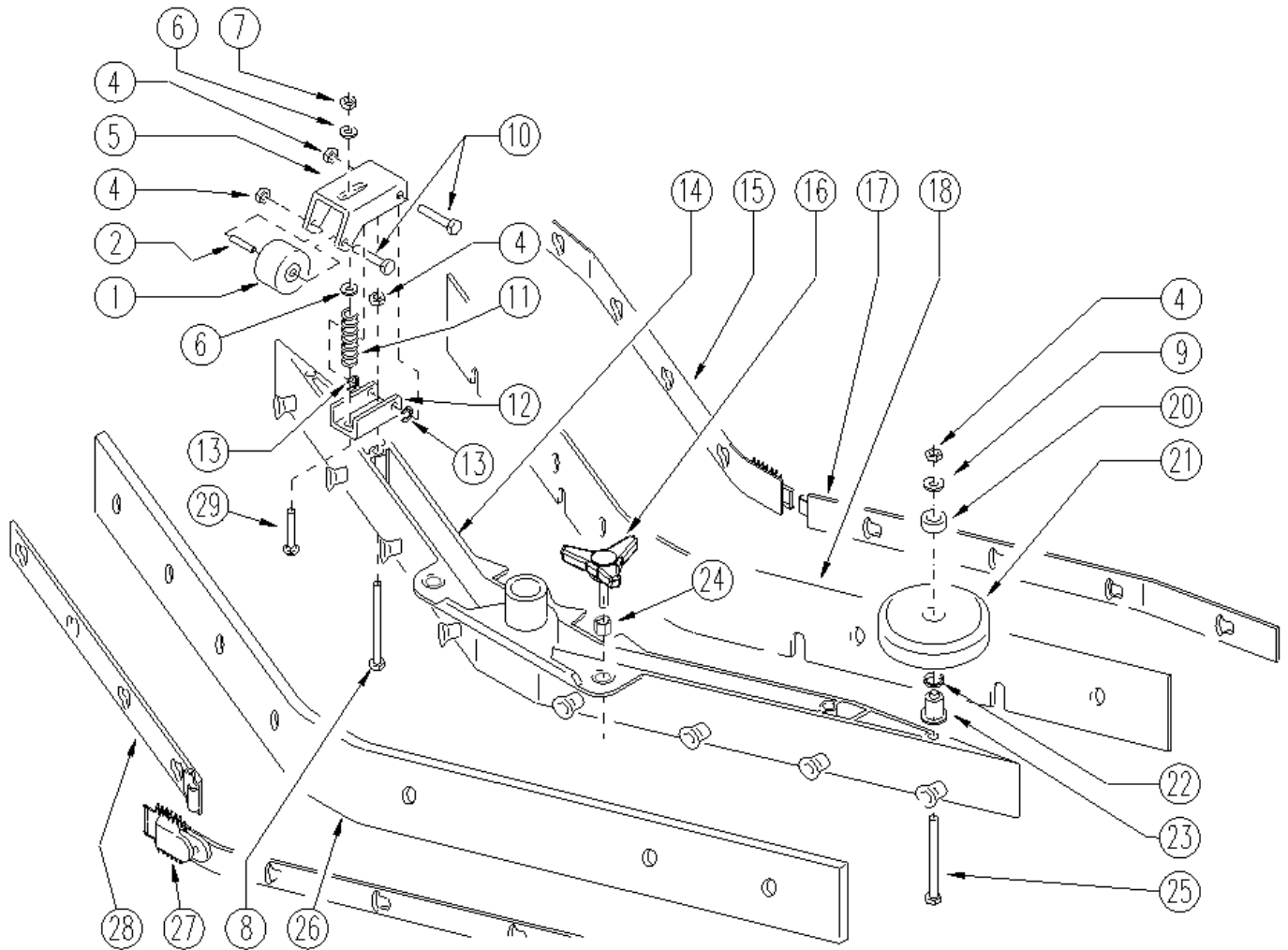


Ref. K	Part N.	Customer Part N.	Description	Qty	Validity:		Price
					From	To	
0001	VTVT00732		SCREW	2,00	12/2002	--	--
0002	VTVT00757		SCREW	1,00	12/2002	--	--
0003	LAFN05599		SUPPORT	1,00	12/2002	--	--
0004	LAFN03957		BUSHING RUOTINO	1,00	12/2002	--	--
0005	VTRS43258		WASHER D.13X24 X2.5 NYL UNI6592	1,00	12/2002	--	--
0006	VTRS13947		WASHER D. 8 INX UNI 6592	3,00	12/2002	--	--
0007	VTVT00410		SCREW TE M8x35 UNI5739 INOX	1,00	12/2002	--	--
0008	VTDD15925		NUT M 4 INX	2,00	12/2002	--	--
0010	VTRS00501		WASHER D. 4 0.232 UNI 6592	2,00	12/2002	--	--
0012	VTVT21887		SCREW TCB-TC 4X10 8112	1,00	12/2002	--	--
0013	VTRS00291		WASHER D. 5 X20 ZC UNI 6593	1,00	12/2002	--	--
0014	LAFN05631		PLATE	1,00	12/2002	--	--
0015	VTVT01200		GRUB SCREW M8 X 16 INOX	1,00	04/2004	--	--
0018	VTDD01695		NUT M 8 INX	3,00	12/2002	--	--
0019	VTRS13946		WASHER D. 8 X24 INX UNI 6593	2,00	12/2002	--	--
0020	VTVR49226		HANDWHEEL F M10 D.82	1,00	12/2002	--	--
0021	LAFN49035		LEVER LAV. SHK	1,00	12/2002	--	--
0022	CMCV00305		CABLE SOLLEVAMENTO	1,00	12/2002	--	--
0023	VTRS15913		WASHER D. 4 GROVER A2 UNI1751	2,00	12/2002	--	--

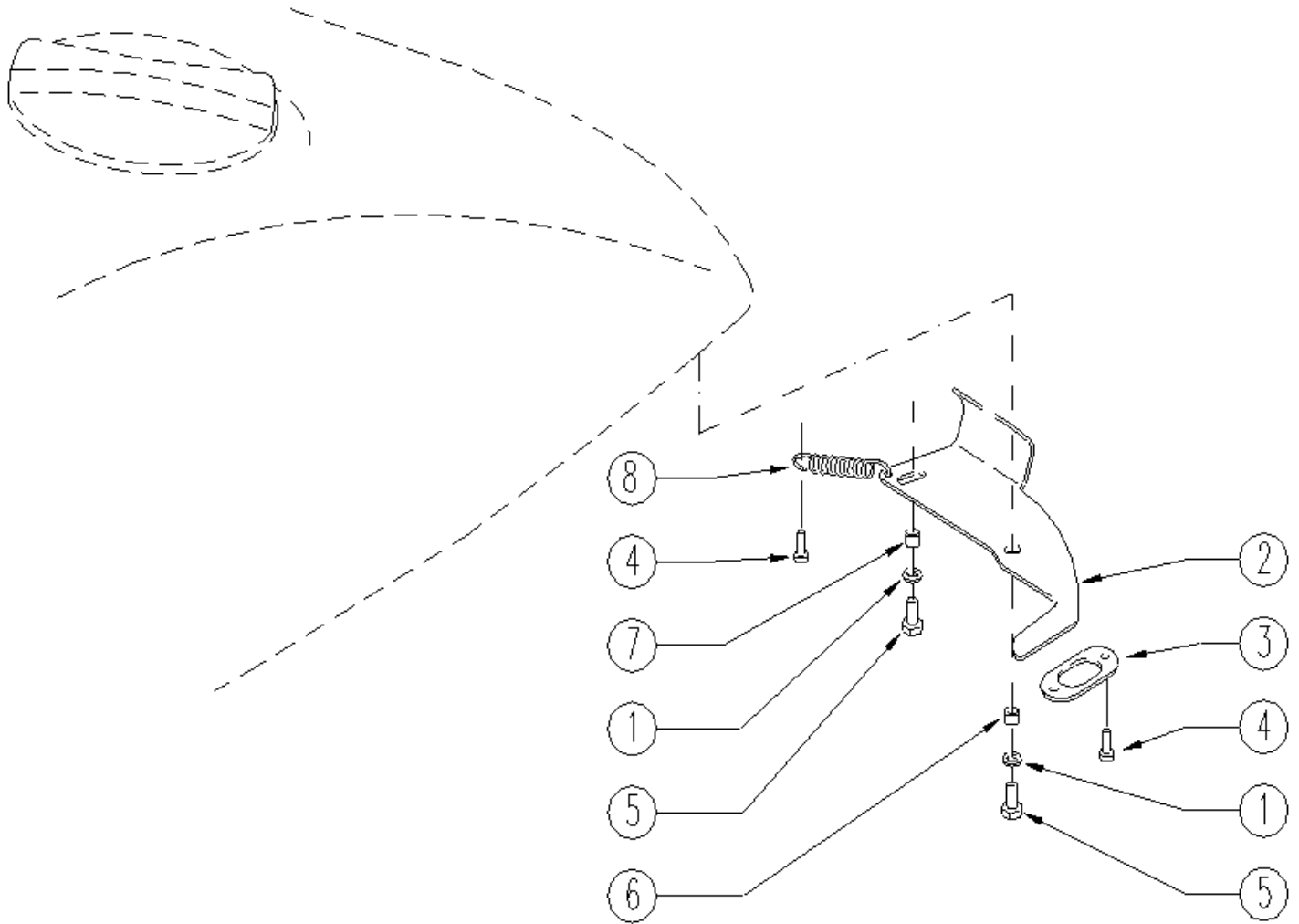


Ref. K	Part N.	Customer Part N.	Description	Qty	Validity:		Price
					From	To	
0001	VTVT00704		SCREW TE M 4X 16 UNI5739 INOX	1,00			--
0002	MECE35767		RECTIFIER LAV. E 450	1,00	12/2002		--
0003	LAFN05613		BRACKET PONTE DIODI	1,00	12/2002		--
0004	VTRS00501		WASHER D. 4 0.232 UNI 6592	10,00	12/2002		--
0005	VTDD04369		NUT M 4 TEF UNI 7473	2,00	12/2002		--
0006	VTVT00754		SCREW TC+ M. 4-10	4,00	12/2002		--
0007	VTRS15913		WASHER D. 4 GROVER A2 UNI1751	6,00	12/2002		--
0008	VTVR00238		RIVET 4-10 ALLUMINIO	8,00	12/2002		--
0009	MPVR02797		BRACKET SALVADITA	2,00	12/2002		--
0010	VTDD15517		NUT M 5 INX	2,00			--
0011	METT45116	#8479.90.9498	CONTACTOR 24V T106 P	1,00			--
0012	MEVR01380		FUSE A LAMA	1,00	12/2002		--
0013	VTVT34115		SCREW TE M 5X 10 UNI 5739	2,00	12/2002		--
0014	MEVR01316		FUSE A LAMA 10 A. 32V	1,00	12/2002		--
0015	LAFN05927		CARRYNG BAG	1,00			--
0016	VTVT00725		SCREW TC+ M.4-12	2,00	12/2002		--
0017	MEVR01386		FUSE CARRIER LAMA 6 POSTI	1,00			--
0018	VTDD10776		NUT M 8 X1 UNI 5588	18,00	12/2002		--
0019	VTRS01080		WASHER D. 8 GRW	14,00	12/2002		--
0020	MEVR01346		FUSE 125 A.	1,00	12/2002		--
0021	MEVR01116		SUPPORT FUSIBILE 120 A	3,00	12/2002		--
0022	LAFN05612		PLATE ELETTRICA	1,00	12/2002		--
0023	MEVR01556		BOX BASE	1,00			--
0024	VTRS00516		WASHER D. 5 INX	6,00	12/2002		--
0025	VTRS15908		WASHER D. 5 INX GRW UNI 1751	4,00	12/2002		--
0026	VTVT48694		SCREW TCB TC 5 X12 UNI 9707 TZ	4,00			--
0028	MECE00396		BOARD DI AUTORITENUTA	1,00			--
0029	MPVR02973		CARRYNG BAG	3,00			--
0030	VTDD21115		NUT M 3 INOX	4,00	12/2002		--
0031	VTRS00268		WASHER D.3	4,00			--
0032	MECE00391		RESISTANCE 1 OHM 50 W	1,00	12/2002		--
0033	VTVT00722		SCREW	2,00	12/2002		--
0034	MECE00369		RESISTANCE CORAZZATA 10 OHM 50 WATT	1,00	12/2002		--
0035	LAFN05614		BRACKET RESISTENZE	1,00	12/2002		--
0036	VTVT01109		SCREW TE M 6X 10 ZC. UNI 5739	2,00	12/2002		--
0037	METT00056		CONTACTOR T-106	1,00	12/2002		--
0038	VTRS00231		WASHER D. 6 UNI 6592 PIANA ZINC.	2,00	12/2002		--
0039	VTDD00157		NUT M. 6 DIN 985 ZN	2,00			--
0040	MECI00277		CONNECTOR	1,00	11/2003		--

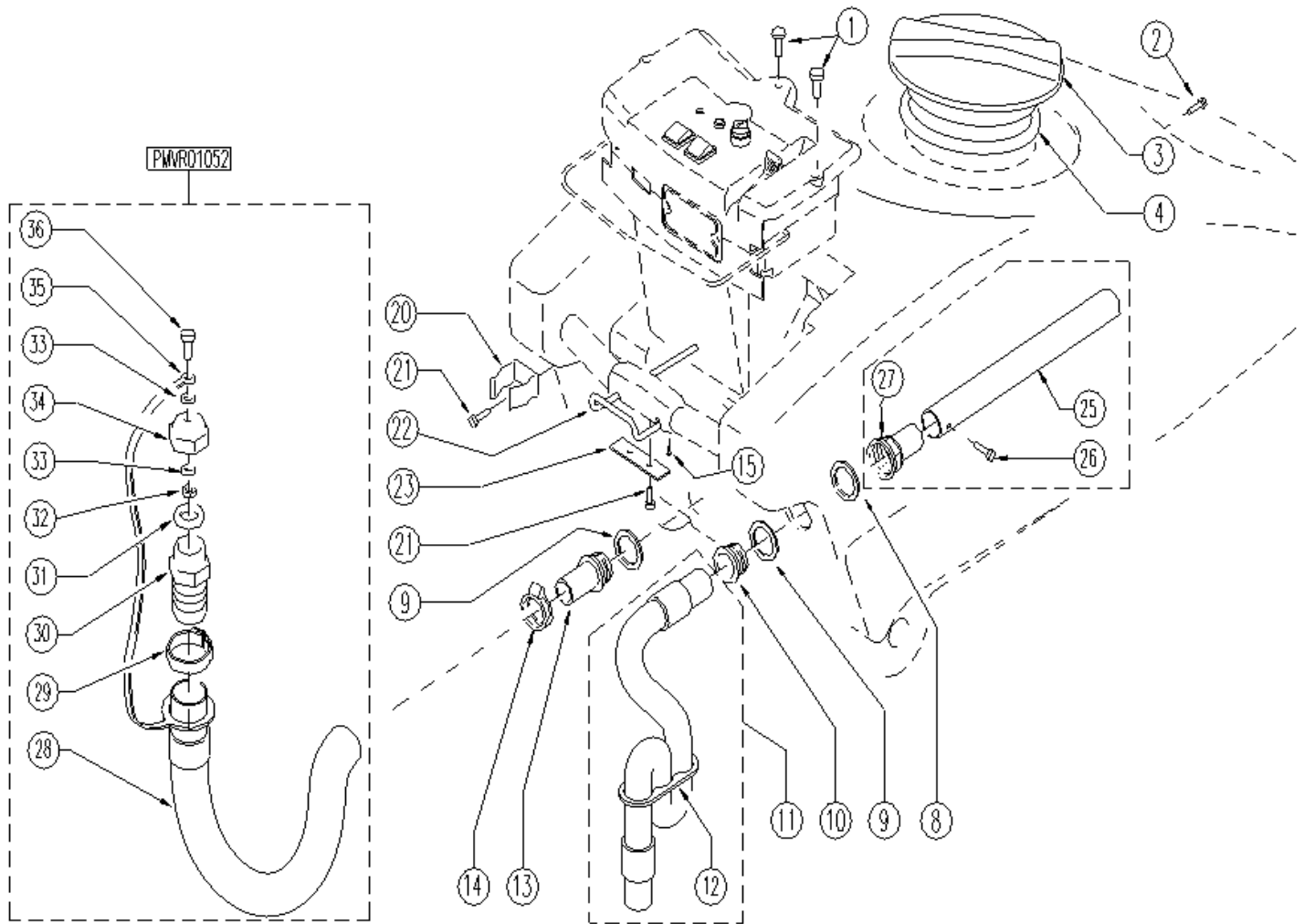




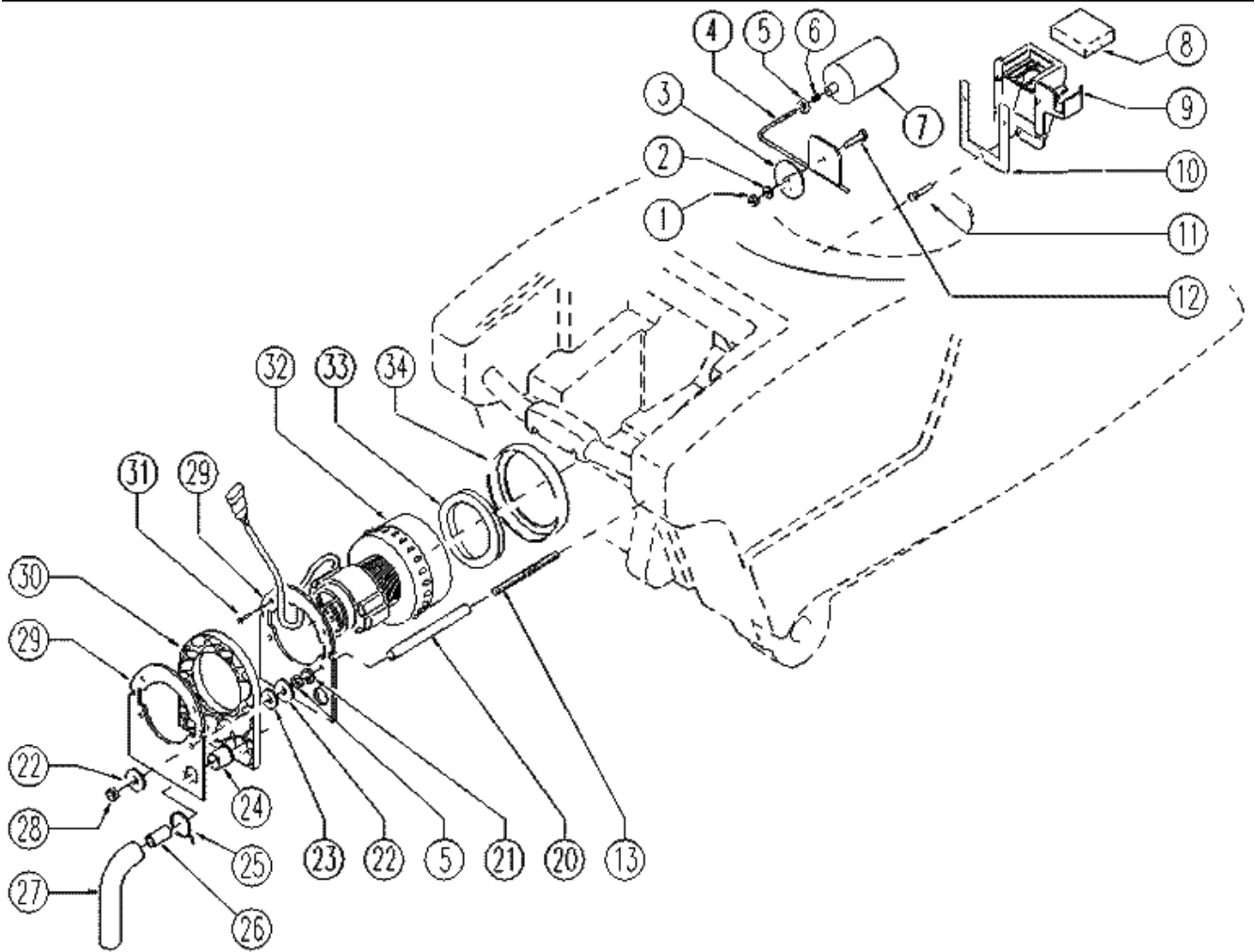
Ref. K	Part N.	Customer Part N.	Description	Qty	Validity:		Price
					From	To	
0001	RTRT49413		WHEEL D. 60-D.15 X36 NYL.	2,00			--
0002	LAFN04041		SPACER D6/15	2,00			--
0004	VTDD01694		NUT M 6 INX	8,00			--
0005	LAFN05559		SUPPORT RUOTINO	2,00			--
0006	VTRS13947		WASHER D. 8 INX UNI 6592	4,00			--
0007	VTDD01695		NUT M 8 INX	2,00			--
0008	VTVT15142		SCREW TE M 6x45 INOX	2,00			--
0009	VTRS00245		WASHER D.6 UNI 6592 INOX	2,00			--
0010	VTVT15515		SCREW TE M 6X 50 INOX A2	4,00			--
0011	MLML49422		SPRING D.15X 45 X1	2,00			--
0012	LAFN51069		BRACKET SUPP.RUOTINO SQUEEGEE	2,00			--
0013	VTAE45707	#8479.90.9498	CIRCLIP D. 6 UNI 7434 INOX	4,00			--
0014	MFVR00140		BODY SQUEEGEE PRESSOFUSO	1,00			--
0015	LAFN51047		LAMINATION BLOCCA LAMA ANTER.SX "L"	1,00			--
0016	MPVR05265		KNOB 8X25	2,00			--
0017	LAFN51046		LAMINATION BLOCCA LAMA ANTER.DX "L"	1,00			--
0018	MPVR48380		RUBBER BLADE LAV. 890	1,00			--
0020	MPVR49229		BUSHING SHK	2,00			--
0021	MPVR05290		ROLLER PARACOLPI	2,00			--
0022	GUGO00164		GASKET	2,00			--
0023	LAFN04100		SPACER PER RUOTINO PARACOLPI	2,00			--
0024	VTVR00022		INSERT FILETTATO ESAGONALE M8	2,00			--
0025	VTVT00841		SCREW TE M. 6-65	2,00			--
0026	MPVR48379		RUBBER BLADE LAV. 890 PARA	1,00			--
0027	LAFN05675		BLADE HOLDER POSTERIORE DX (L)	1,00			--
0028	LAFN05674		BLADE HOLDER POSTERIORE SX (L)	1,00			--
0029	VTVT01304		SCREW M 8X 40 TTQST UNI 5731	2,00			--



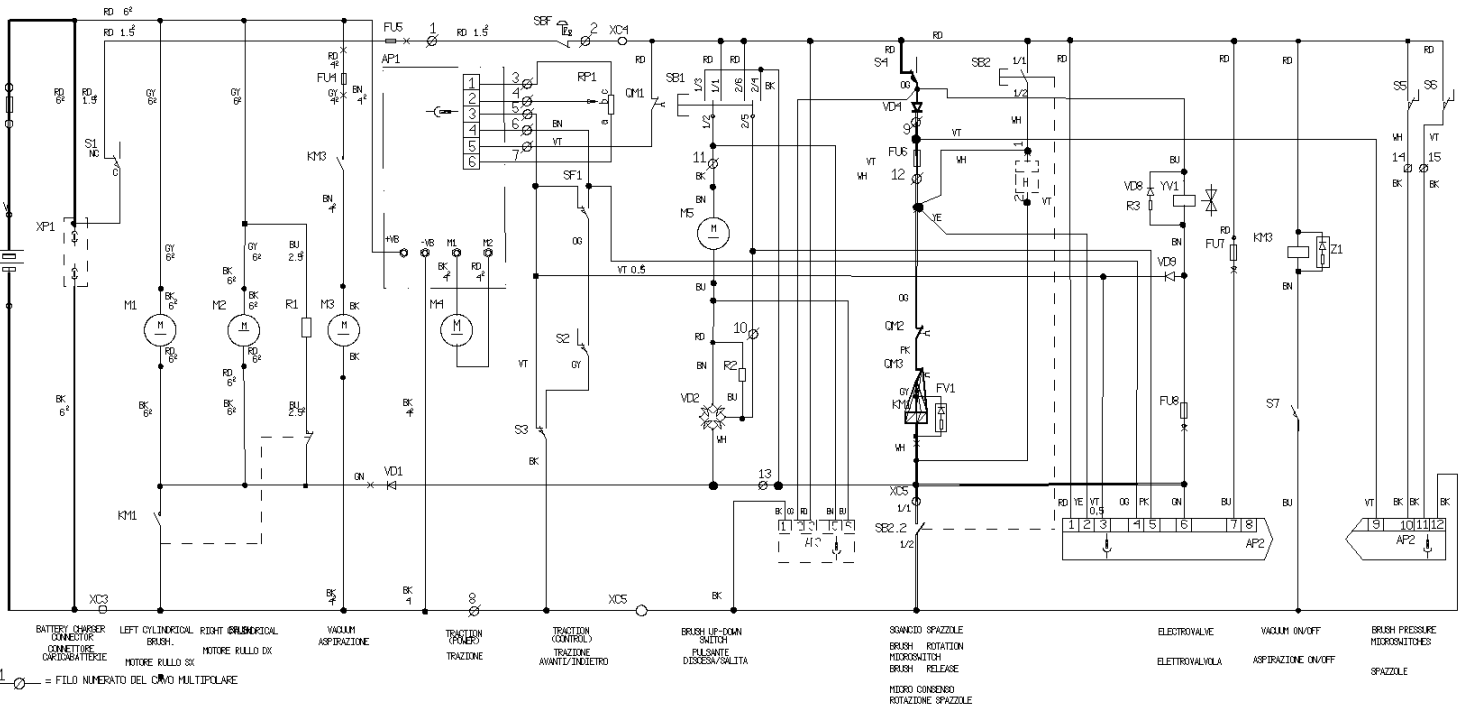
Ref. K	Part N.	Customer Part N.	Description	Qty	Validity:		Price
					From	To	
0001	VTRS13947		WASHER D. 8 INX UNI 6592	3,00	12/2002		--
0002	LAFN05756		HANDLE APERTURA SERBATOI	1,00	12/2002		--
0003	LAFN05755		PLATE CENTRAGGIO AGGANCIO	1,00	12/2002		--
0004	VTVT48694		SCREW TCB TC 5 X12 UNI 9707 TZ	3,00	12/2002		--
0005	VTVT00779		SCREW TBEI M.8-16	2,00	12/2002		--
0006	RCDS35584		BUSHING D. 8X12X 4.3	2,00	12/2002		--
0007	LAFN03940		BUSHING 8/12-5,25	2,00			--
0008	MLML00196		SPRING PER GIUNTO HS NADIR	1,00	12/2002		--



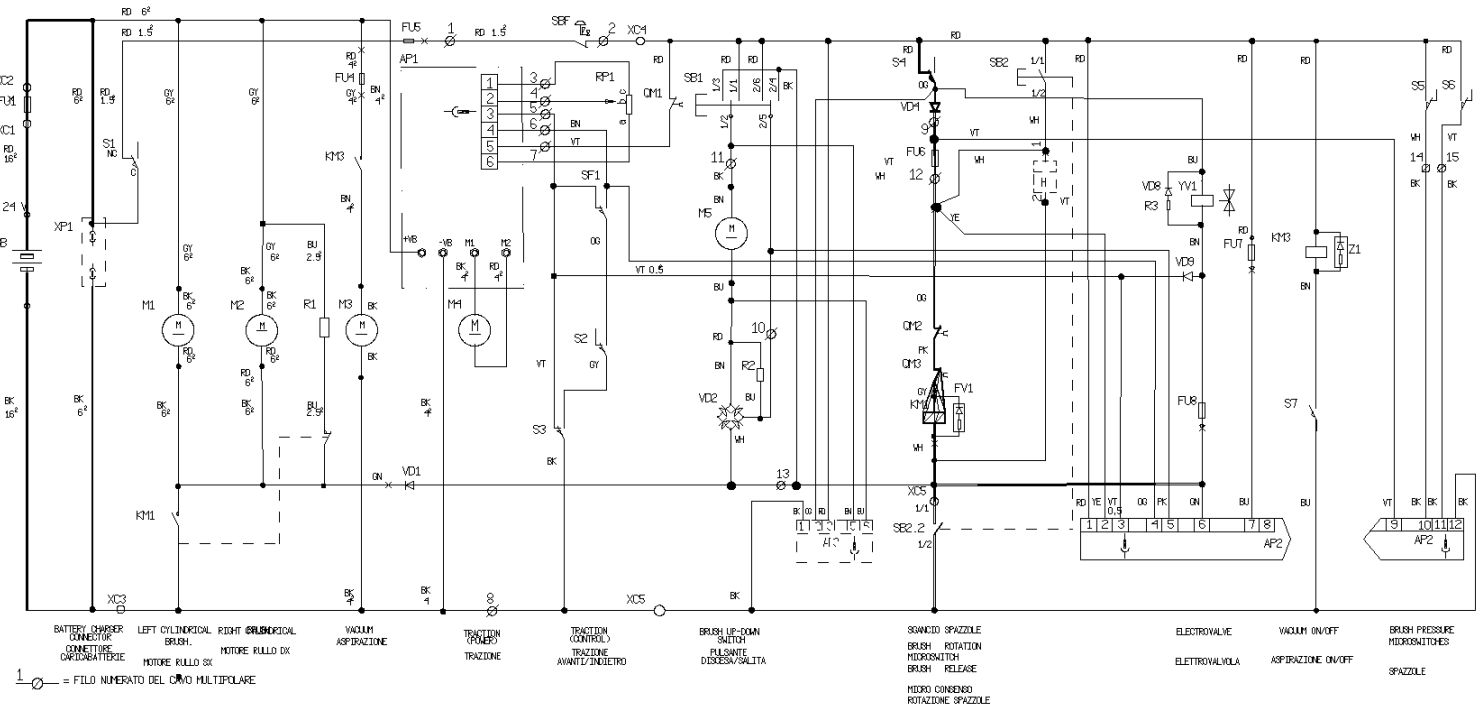
Ref. K	Part N.	Customer Part N.	Description	Qty	Validity:		Price
					From	To	
0001	VTVT00858		SCREW	3,00	12/2002		--
0002	VTVT00806		SCREW TBEI M. 6-10	2,00	12/2002		--
0003	MPVR04051		TANK CAP	1,00	01/2003		--
0004	GUGO00263		GASKET CIRCOLARE TAPPO	1,00	12/2002		--
0008	GUVR49928		GASKET RHN G4004	1,00	12/2002		--
0009	GUGO00216		GASKET ACQUA SPORCA	2,00	12/2002		--
0010	RCVR00508		PIPE UNION DI SCARICO	1,00	12/2002		--
0011	PMVR01043		TUBE ASPIRAZIONE	1,00	12/2002		--
0012	MPVR02730		PLATE SIFONE	1,00	12/2002		--
0013	RCVR49929		CONNECTOR DTT 1"1/2 D.50	1,00	12/2002		--
0014	FSVR00105		CLAMP DOPPIO FILO	1,00	12/2002		--
0015	VTVT00813		SCREW M 4X 8 TCB-TC UNI 8112	1,00	12/2002		--
0020	FSVR44166		HOSE CLIP D.50	1,00	12/2002		--
0021	VTVT48694		SCREW TCB TC 5 X12 UNI 9707 TZ	4,00	12/2002		--
0022	PMVR01058		BUTTON ASSIEME LEVA ANTISCHIACC.	1,00			--
0023	LAFN05607		PLATE	1,00	12/2002		--
0025	MPVR02889		TUBE INTERNO SERBATOIO	1,00	01/2003		--
0026	VTVT85145		SCREW TCB T-CROCE 4,2X9,5 INOX	1,00			--
0027	RCVR00504		CONNECTOR DRITTO FEMM.	1,00	01/2003		--
0028	TBFX00194		TUBE D 50-900 MM	1,00	01/2003	12/2007	--
0028	TBFX00314		TUBE DIAM.50 DISCHARGE	1,00	01/2008		--
0029	FSVR00120		CLAMP HCL-X	1,00	01/2008		--
0029	MPVR46993		RING NUT SHK.57	1,00	01/2003	12/2007	--
0030	RCVR46992		CONNECTOR DTT 2"	1,00	01/2003		--
0031	GUGO00226		GASKET 1"1/4	1,00	01/2003		--
0032	VTDD01695		NUT M 8 INX	1,00	01/2003		--
0033	VTRS13947		WASHER D. 8 INX UNI 6592	2,00	01/2003		--
0034	RCVR00524		CAP FEMMINA DA 2" FORATO D 8	1,00	01/2003		--
0035	MPVR02805		CLAMP TAPPO	1,00	01/2003		--
0036	VTVT00842		SCREW	1,00	01/2003		--



Ref. K	Part N.	Customer Part N.	Description	Qty	Validity:		Price
					From	To	
0001	VTDD01693		NUT M 5 INX	1,00	04/2004	--	--
0002	VTRS13750		WASHER D. 5X14 INX	1,00	04/2004	--	--
0003	MPVR02702		CAP ASPIRAZIONE	1,00	04/2004	--	--
0004	LAFN05118		ROD GALLEGGIANTE	1,00	04/2004	--	--
0005	VTDD15520		NUT M 6 A2 UNI 5588 INX	3,00	04/2004	--	--
0006	VTVR00212		INSERT	1,00	04/2004	--	--
0007	RCGR00064		FLOATER	1,00	04/2004	--	--
0008	FTAC47474		FILTER SHK	1,00	04/2004	--	--
0009	MPVR03846		SUPPORT GALLEGGIANTE	1,00	04/2004	--	--
0010	GUGO00221		GASKET SUPPORTO GALLEGGIANTE	1,00	04/2004	--	--
0011	VTVT00677		SCREW	3,00	04/2004	--	--
0012	VTVT00805		SCREW TBEI M. 5-10	1,00	04/2004	--	--
0013	VTVT00785		ROD FILETTO	2,00	04/2004	--	--
0020	LAFN51077		SPACER PH	2,00	04/2004	--	--
0021	VTRS13945		WASHER D. 6X18 INX UNI 6593	2,00	04/2004	--	--
0022	VTRS16937		WASHER 6x24 INOX UNI 6593	4,00	04/2004	--	--
0023	MPVR35582		RUBBER LAV.	2,00	04/2004	--	--
0024	MPVR31077		BUSHING L.450	1,00	04/2004	--	--
0025	FSVR00086		CLAMP	1,00	04/2004	--	--
0026	TBFX00217		TUBE	1,00	04/2004	--	--
0027	ITSO00036		SOUND-PROOFING SCARICO ASP.SHARK/PANTHER	1,00	04/2004	--	--
0028	VTDD00124		NUT M 8 BASSO	2,00	04/2004	--	--
0029	LAFN51076		FLANGE INSONORIZZ.ASPIRATORE	2,00	04/2004	--	--
0030	ITSO00035		SOUND-PROOFING SHARK/PANTHER	1,00	04/2004	--	--
0031	VTVT00892		SCREW	4,00	04/2004	--	--
0032	MEVR05200		CARBON MOTORE ASP.AMET.116599-13	2,00	04/2004	--	--
0032	MOCC00273		MOTOR 3 ST.24V 116598-13	1,00	05/2004	--	--
0033	GUVR48858		GASKET SRB.SHK	1,00	04/2004	--	--
0034	GUGO30649		GASKET LAV.DW.	1,00	04/2004	--	--



Ref. K	Part N.	Customer Part N.	Description	Qty	Validity:		Price
					From	To	
AP1	MECE00336		GEARCASE TRAZ. 24V	1,00			--
AP2	MECE00344		BOARD LED CON 2 RESIST.	1,00			--
FU1	MEVR01346		FUSE 125 A.	1,00			--
FU4	MEVR01380		FUSE A LAMA	1,00			--
FU5	MEVR01316		FUSE A LAMA 10 A. 32V	1,00			--
FU6	MEVR01132		FUSE A LAMA 5 A.	1,00			--
FU7	MEVR01132		FUSE A LAMA 5 A.	1,00			--
FU8	MEVR01132		FUSE A LAMA 5 A.	1,00			--
FV1	MECI00313		DIODE CPL R=10	1,00			--
FV2	MECI00313		DIODE CPL R=10	1,00			--
KM1	METT00056		CONTACTOR T-106	1,00			--
KM3	METT30650		CONTACTOR 24 V	1,00			--
M1	MOCC00236		MOTOR SPAZZOLE	1,00			--
M2	MOCC00236		MOTOR SPAZZOLE	1,00			--
M3	MOCC00243		MOTOR ASP.TR.24V	1,00			--
M4	MOCC00235		MOTOR.GEARBOX TRAZIONE CABLATO	1,00			--
M5	MOCC00226		ATUATOR ALI 1 100MM CABLATO	1,00			--
R1	MECE00391		RESISTANCE 1 OHM 50 W	1,00			--
R2	MECE00369		RESISTANCE CORAZZATA 10 OHM 50 WATT	1,00			--
R3	MECE00358		RESISTANCE 10 OHM 1/2W	1,00			--
RP1	MEVR01432		POTENTIOMETER A FILO	1,00			--
S1	MECI00334		MICROSWITCH V4	1,00			--
S2	MECI36393		MICROSWITCH TRZ. DRW	1,00			--
S3	MECI36393		MICROSWITCH TRZ. DRW	1,00			--
S4	MECI36393		MICROSWITCH TRZ. DRW	1,00			--
S5	MECI38439		MICRO-SWITCH MN-5141	1,00			--
S6	MECI00303		MICROSWITCH STAGNO X LEVA BLOC. CASS.	1,00			--
S7	MECI00303		MICROSWITCH STAGNO X LEVA BLOC. CASS.	1,00			--
S8	MECI38439		MICRO-SWITCH MN-5141	1,00			--
SB1	MECI46638		COMMUTAT.SWITCH0.CT. 0401/C2	1,00			--
SB2	MECI00309		SWITCH	1,00			--
VD1	MECI00281		DIODE P 600 G	1,00			--
VD2	MECE35767		RECTIFIER LAV. E 450	1,00			--
VD3	MECI00281		DIODE P 600 G	1,00			--
VD4	MECI00281		DIODE P 600 G	1,00			--
VD5	MECI00294		DIODE 1N4007	1,00			--
XC1	MEVR01116		SUPPORT FUSIBILE 120 A	1,00			--
XC2	MEVR01116		SUPPORT FUSIBILE 120 A	1,00			--
XC3	MEVR01116		SUPPORT FUSIBILE 120 A	1,00			--



Ref. K	Part N.	Customer Part N.	Description	Qty	Validity:		Price
					From	To	
XC4	MEVR01222		CLAMP FORBOX E 29	1,00			--
YV1	MEEV00015		SOLENOID VALVE	1,00			--