



Electronic Service Manuals

This electronic document is provided as a service to our customers. We do not create the contents of the information contained in this document. Should you have detailed questions pertaining to the information contained in this document, you may contact Michco, or the manufacturer which provided the original information in this electronic deliverable. Michco's only part in this electronic deliverable was the electronic assembly process. By providing this manual online we are not guaranteeing parts availability.

You may contact Michco through the following methods:

Phone (517) 484-9312

2011 N. High St. -- Lansing, Michigan -- 48906

Fax: (517) 484-9836

Email: CustomerService@Michco.com

Website: www.Michco.Com

Order Parts online at:

www.Michco.Com

Directly to Parts & Service:

By Email: **CustomerService@Michco.com**

By Fax: (517) 484-9836

By Voice: (517) 484-9312

Serving the Cleaning Industry Since 1922

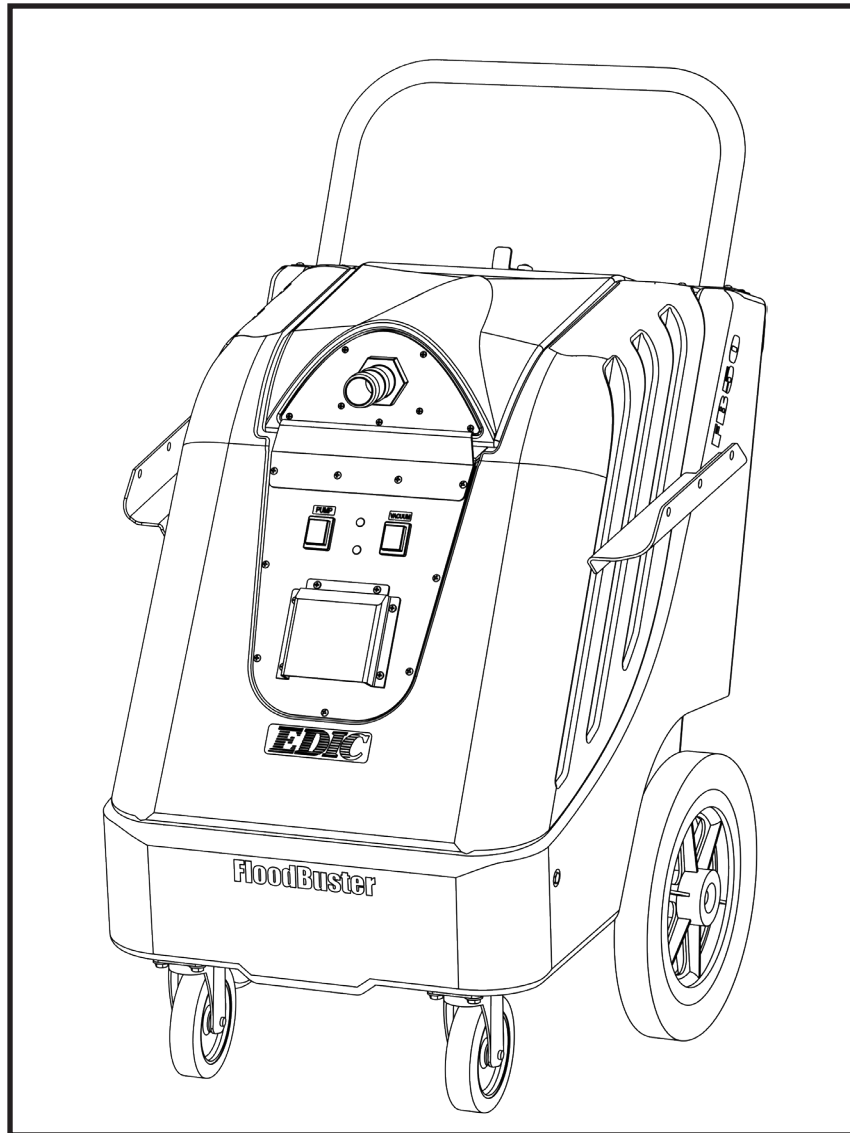
Notice: All copyrighted material remains property of original owners, all trademarks are property of respective owners. Manuals are subject to Manufacturer's reproduction limitations. Originals or reproductions were provided by manufacturers through a request. We make no warranty as to the correctness of information provided in this document and you assume all risk. By placing these manuals on line we are not declaring our corporation to be an manufacturer authorized dealer or provider, please check our web site for authorized manufacturers we represent.

FLOODBUSTER | FB50

PROFESSIONAL FLOOD EXTRACTOR

OWNER'S/OPERATOR'S MANUAL

Intended for
commercial use only



PROUDLY DESIGNED AND MANUFACTURED BY

EDIC

WWW.EDIC-USA.COM



Edition 1
9-21-16

TABLE OF CONTENTS

RECEIVING AND UNPACKING YOUR NEW FB50.....	3
WARNINGS AND SAFETY.....	3, 4
ELECTRICAL INFORMATION.....	4
GROUNDING INSTRUCTIONS.....	4
MAINTENANCE.....	4
INCLUDED ACCESSORIES.....	5
FB50 MACHINE OVERVIEW.....	6
SPECIFICATIONS.....	7
SETTING UP THE MACHINE.....	7
OPERATION OF THE MACHINE.....	8
AFTER OPERATING THE MACHINE.....	8
TROUBLESHOOTING.....	8
WIRING DIAGRAM.....	9
FB50 TANK BREAKDOWN.....	10-12
FB50 BASE BREAKDOWN.....	13, 14
FB50 LID BREAKDOWN.....	15
WARRANTY INFO.....	16

RECEIVING AND UNPACKING YOUR NEW FLOODBUSTER FB50:

When your package is delivered, check the carton carefully for signs of rough handling. If the FLOODBUSTER FB50 is damaged, notify the carrier immediately and request an inspection. Be sure to keep the carton, packing inserts, packing lists and carrier's receipt until the inspector has verified your claim.

EDIC's liability ceases when the carrier picks up the shipment. However, our customer service staff will be happy to furnish any information needed in connection with the claim and will attempt to expedite a resolution.

PLEASE READ BEFORE OPERATING YOUR NEW FLOODBUSTER FB50:

Read the manual carefully and completely before attempting to operate the unit. This manual has important information for the use and safe operation of the machine. Keep this manual handy at all times.

This equipment has been engineered and manufactured to provide excellent performance and service. To ensure that your equipment will continue to perform as intended:

- Maintain equipment regularly- following the suggested maintenance schedule provided.
- Use only original EDIC parts when servicing.
- Operate equipment with care.

If additional information is needed, please contact EDIC at: 800-338-3342 or email info@edic-usa.com

All information and specifications printed in the manual are current at the time of printing; however because of EDIC's policy of continual product development, we reserve the right to make changes at any time without notice.



This machine was designed for removing flooded water on carpet, floor and upholstery as per instructions and recommendations written in this manual. Any deviation from its proper use or purpose that may cause consequential damages is the sole responsibility of the end user. Failure to comply with the following warning instructions will void the warranty.

- Make sure the machine is plugged into an electrical outlet with the same voltage and frequency rating as shown on the nameplate of the machine. Do not attempt to plug a 115 volt machine into a 230 volt outlet.
- Do not immerse or use this machine in standing water. Such use can cause electric shock.
- Do not use to pick up flammable or combustible liquids such as gasoline or use in areas where they may be present.
- Do not expose machine to freezing temperatures.
- To avoid electric shock, do not expose the unit to rain. Store indoors only.
- Connect to a properly grounded outlet only. See "Grounding Instructions."
- Turn off all controls before unplugging.
- Turn off all controls and disconnect power cord from the twist-lock power inlet at the lower back of the machine before servicing.
- Do not use without filter basket in place.
- Do not put any object into openings. Do not use with any opening blocked; keep free of dust, lint, hair and anything that may reduce air flow.
- Do not pick up anything that is burning or smoking, such as cigarettes, matches or hot ashes.
- Do not use machine for dry vacuuming. This machine is not outfitted with a fine dust filter and it will damage the vacuum motor.
- Do not pull machine by hoses or power cords. Doing so will stress or damage these components.
- All servicing of EDIC equipment should be performed only by EDIC authorized service centers.
- Keep hair, loose clothing, fingers and all parts of the body away from openings and moving parts.
- Use extra care when near stairs.
- Do not use replacement parts other than those specified in the parts list. Proper maintenance of the machine could be affected if substitutions are made.
- Follow maintenance schedule strictly.
- Keep the top lid open during storage
- Make sure discharge hose is firmly attached to the discharge port fitting at the back of the machine every

time the machine is used. Failure to do that may create a flood around the machine.

- Do not leave dirty water inside the tank, pump or hoses after each operation of the machine. Run clean water through the pump. Rinse the tank and completely drain the vacuum and discharge hoses. Run vacuum motor for three minutes minimum so that the inside of the vacuum turbine is free of residual moisture.
- Monitor vacuum system to prevent flooding.

GROUNDING INSTRUCTIONS:

This piece of equipment must be grounded. Should an electrical malfunction occur, grounding provides a path of least resistance for electrical current, reducing the risk of electric shock. This piece of equipment is furnished with a cord that has a grounding conductor and grounding plug. The grounded plug must only be plugged into an appropriate outlet that is properly installed and grounded in accordance with all local codes and ordinances.

WARNING:

Connecting the equipment to an improperly grounded outlet can result in an increased risk of electric shock. A qualified electrician should be consulted if you are unsure that the outlet is properly grounded. Do not modify the plug provided with the equipment. If it will not fit the outlet, have a proper outlet installed by a qualified electrician.

This appliance is designed for use on a 120-volt circuit. The grounding plug provided looks like the plug illustrated in Figure 1. Replace the power cord if the grounding pin is damaged or broken.

Extension cords connected to this machine should be 12 gauge, three-wire cords with three-prong plugs and outlets. DO NOT use extension cords more than 25 feet (7.6 m) long.

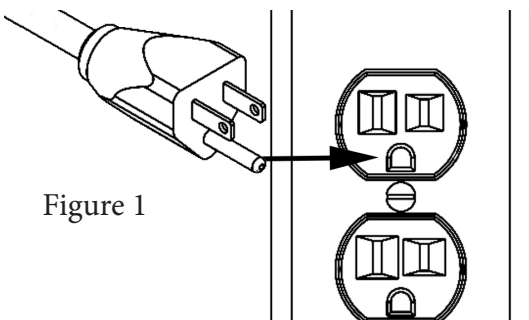


Figure 1

DAILY MAINTENANCE:

The FLOODBUSTER FB50 is engineered and built to require minimum maintenance. But like any machine, it does require some care to keep it in optimum working condition. Careful attention to these maintenance instructions will give you maximum operating performance and life expectancy of the machine.

CAUTION: Disconnect the power cord from the outlet before doing any clean up or maintenance on the machine

1. Keep the equipment and accessories, inside and out, clean and dry including lid, filter strainer, waste tank, hoses.
2. Vacuum motor: It is very important that the vacuum motor is internally free of moisture when not used. Run the vacuum motor with the lid and hose off for 3 minutes after every operation.
3. Pump motor: Periodically hose off the surface of the pump so that no debris may remain on the surface and opening of the pump. Such debris may cause pump damage in time.

Servicing:

In the event that your equipment requires service, please contact EDIC at:

800-338-3342

or email info@edic-usa.com

Do not attempt repairs yourself. EDIC will assist you in locating an independent service contractor.

Storage:

1. Store in a clean, dry location.
2. Store with the lid off the machine

Purchase record:

Fill in the blanks and keep for future reference.

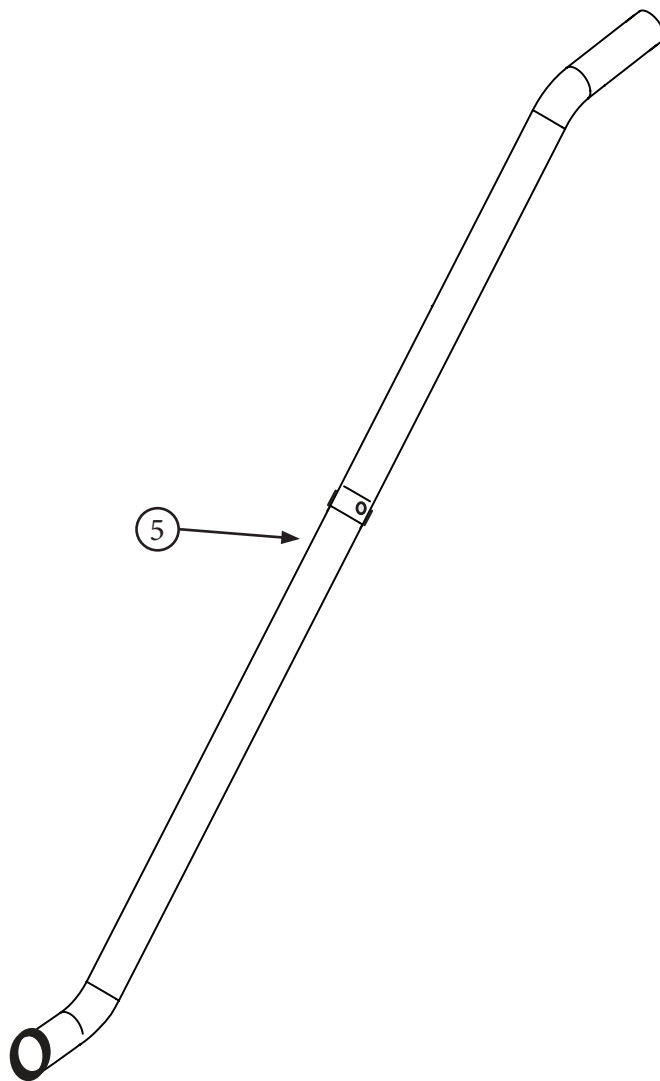
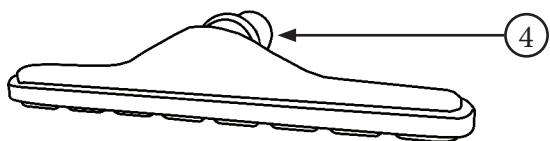
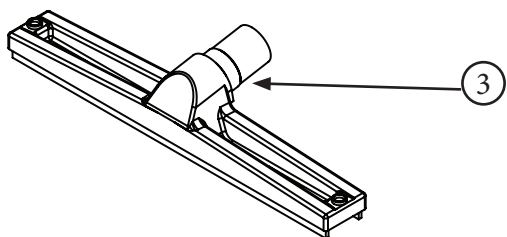
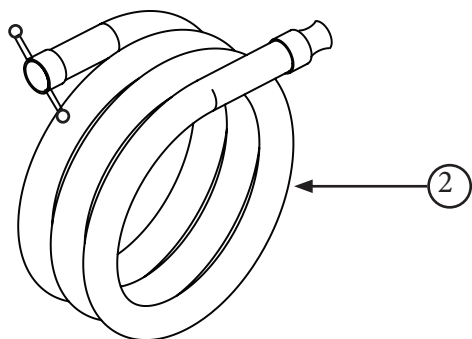
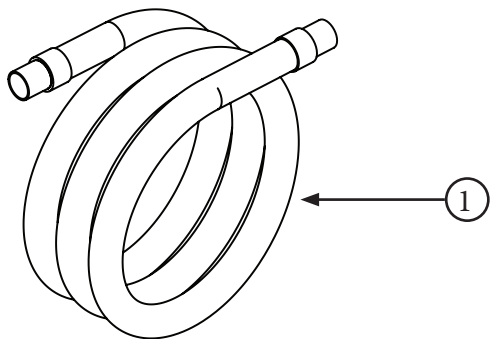
Model #:

Serial #:

Distributor name:

Distributor contact:

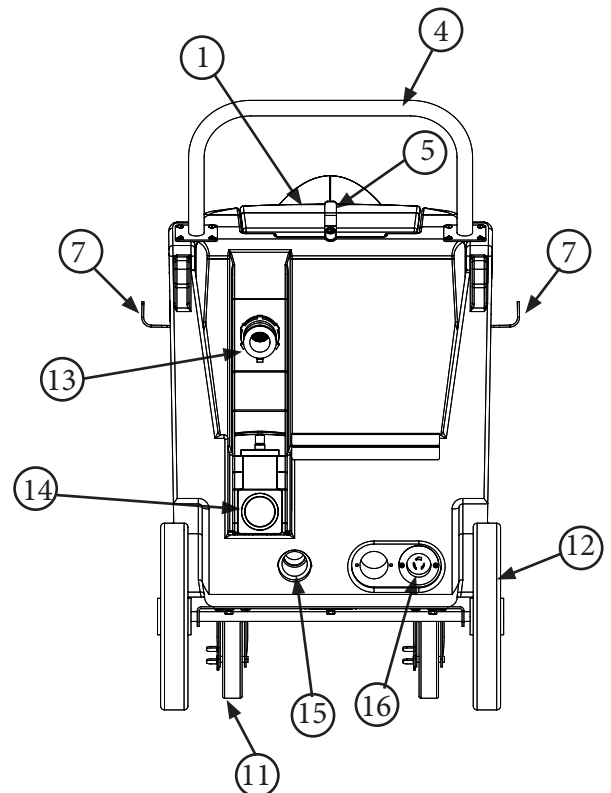
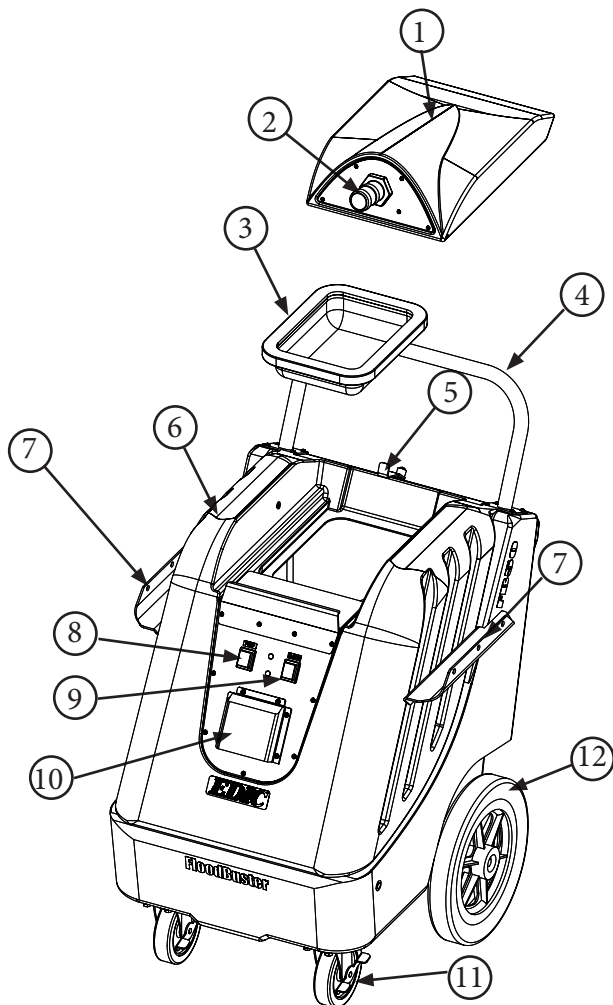
INCLUDED ACCESSORIES



1. J00616-25: 1.5" X 25' VACUUM HOSE
2. J14056A: 1.5" X 25' DISCHARGE HOSE
3. K11192 SQUEEGEE HEAD
4. K007001 SCALLOP TOOL
5. D03386-1 TWO PIECE WAND

FB50 MACHINE LAYOUT OVERVIEW:

1. TANK LID: Provides seal for vacuum system when closed and allows access to tank and debris basket when removed.
2. VACUUM INTAKE BARB: Allows vacuum hose to be attached to machine to pull in fluid.
3. DEBRIS BASKET WITH GASKET: Removes larger solids. from incoming water stream while gasket creates vacuum seal between tank and lid.
4. HANDLE: Used to maneuver and position equipment.
5. LID LOCKING LATCH: Used to lock or release the tank lid.
6. TANK: Houses pump and holds waste water
7. HOSE SUPPORT: Supports a hose when hose is wrapped around machine. Has hook openings for bungee cords. (Bungee cords not included)
8. PUMP SWITCH: Controls power to pump
9. VACUUM SWITCH: Controls power to vacuum
10. COLD AIR INTAKE: Cools vacuum motor.
11. FRONT LOCKING CASTERS: Allows machine to be locked into place to prevent unwanted movement.
12. REAR WHEELS
13. DISCHARGE HOSE HOOKUP: Connects to pump out hose.
14. WASTE WATER DUMP VALVE: Allows manual dumping of waste water.
15. VACUUM EXHAUST PORT
16. TWIST LOCK POWER INLET: Hooks up to main power cord



MACHINE SPECIFICATIONS

PUMP:

submersible, Epoxy-coated steel construction, Nylon Impeller, 50 GPM. Handles spherical solids up to ½”.

VACUUM:

5.7” 3 stage, high performance

AIR WATTS:

601

AIR FLOW:

110

WATERLIFT:

158”

VACUUM OVERFILL FLOAT SWITCH:

Yes, tilt type float switch

LARGE TANK OPENING:

Yes

HOSE DIAMETER:

1.5” vacuum, 1.5” discharge

REAR WHEELS:

12” Ball Bearing, Non-Marking

FRONT CASTERS:

5” Locking

POWER CORD:

Detachable 12 GA x 25 ft, Twist lock

POWER CONSUMPTION:

120V, 18 Amps

MACHINE WEIGHT:

106 lbs

SETTING UP THE MACHINE BEFORE

OPERATION:

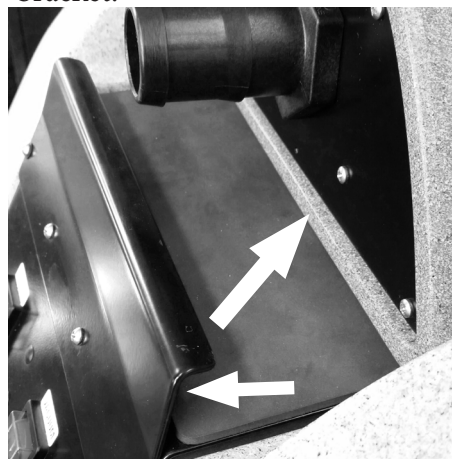
1. Position the machine on a dry place away from the flooded area. Lock in the casters so that machine does not change position during operation.
2. Connect your discharge hose (#2 on page 5) to the discharge hose hookup on the machine (#13 on page 6).
3. Position the end of the discharge hose in a safe drainage location. Check local laws and regulations for proper waste water disposal.
4. Make sure the debris basket with gasket (#3 on page 4) is in place before you position the lid (#1 on page 4) on the tank. Without the debris basket in position, the vacuum motor will not create suction.

5. Make sure to tuck the lip on the lid under the metal bracket
6. Turn the lid locking latch to the closed position.
7. Check on the drain valve and make sure it is fully closed position.
8. Connect your vacuum hose (#1 on page 5) to the vacuum intake barb (#2 on page 6).

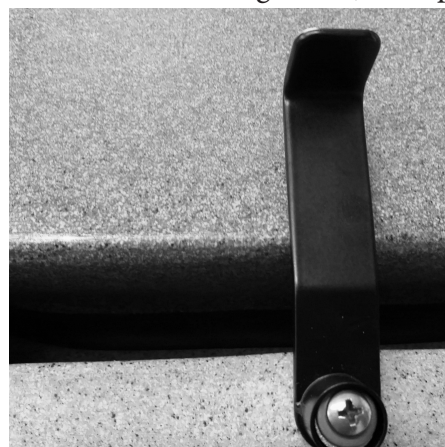
IMPORTANT:

To ensure a secure lock on the lid:

1. Make sure the lip on the lid is tucked under the metal bracket.



2. Pivot the lid locking latch (#5 on page 4) over the lid.



Note: To prevent the lid from being lost, the above steps should also be followed when transporting the equipment, especially in open air vehicles or trailers.

OPERATION OF THE MACHINE:

1. Turn on both vacuum and pump switches. Vacuum motor will turn on immediately and start pulling water inside the tank. The pump will not start discharging water until a certain level of water is reached and the float switch is activated.
2. For deep flooding, you may submerge the end of the vacuum hose directly into the flooded area. Continue extracting until the flooding is low enough to use the appropriate hard floor or carpet tool.
3. For hard floors, attach the squeegee head to the wand and vacuum hose. Use the wand to recover as much fluid as possible.
4. For carpets, connect the scallop tool to the wand and vacuum hose. Use scallop tool and wand to recover as much fluid as possible.
5. Continue the operation until the task is complete.

Note: During operation, it is normal for both the vacuum motor and pump are designed to start and stop automatically as the float switches regulate the level of water in the tank.

AFTER OPERATION:

1. remove the hoses and run the vacuum motor for a minimum of three minutes with only air moving through the system. Doing so will ensure all moisture is removed from the vacuum system. Residual moisture in the system may damage the vacuum motor.
2. Turn off the switches and unplug the power cord from the machine power inlet and also from the wall power outlet.
3. Dump the water remaining in the tank after operation.
4. Rinse the tank with clean water.
5. Drain the tank completely.
6. Detach the hoses from the machine.

TROUBLE SHOOTING:

No user serviceable parts. Any inspection or service should be conducted by a technician at an approved service station.

Contact EDIC for assistance in locating an approved service station.

PUMP DOES NOT DISCHARGE LIQUID:

- Machine is not plugged in.
- The switch is not on.
- The switch is bad.
- The float has debris accumulated on it.
- Float or float rod has obstruction.

PUMP DOES NOT SHUT OFF:

- The pump is air locked. Turn off the pump switch for a minute and turn it on again. Repeat the procedure until the air is completely out.
- Float or float rod has obstruction.
- Impeller Inlet plugged. Have service station clean the pump.

WEAK SUCTION FROM THE VACUUM MOTOR:

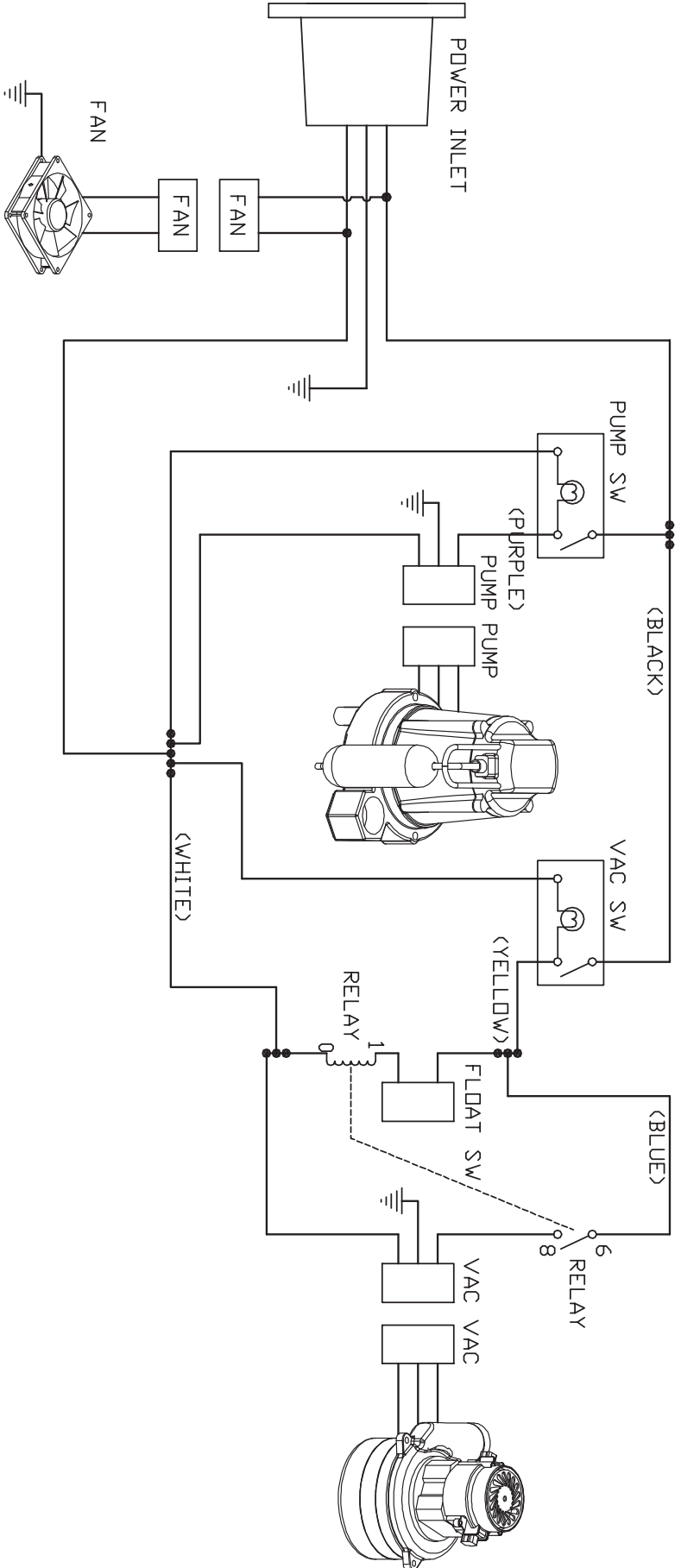
- Lid is not completely closed.
- Debris basket is missing or not in proper position.
- Drain Valve is open.
- Wand is plugged.
- Vacuum Hose leaks.

VACUUM MOTOR DOES NOT TURN ON:

- Machine is not plugged in.
- The vacuum motor switch is not on.
- The switch is bad.
- The vacuum float switch is stuck in high position.
- Connection on the relay is bad.

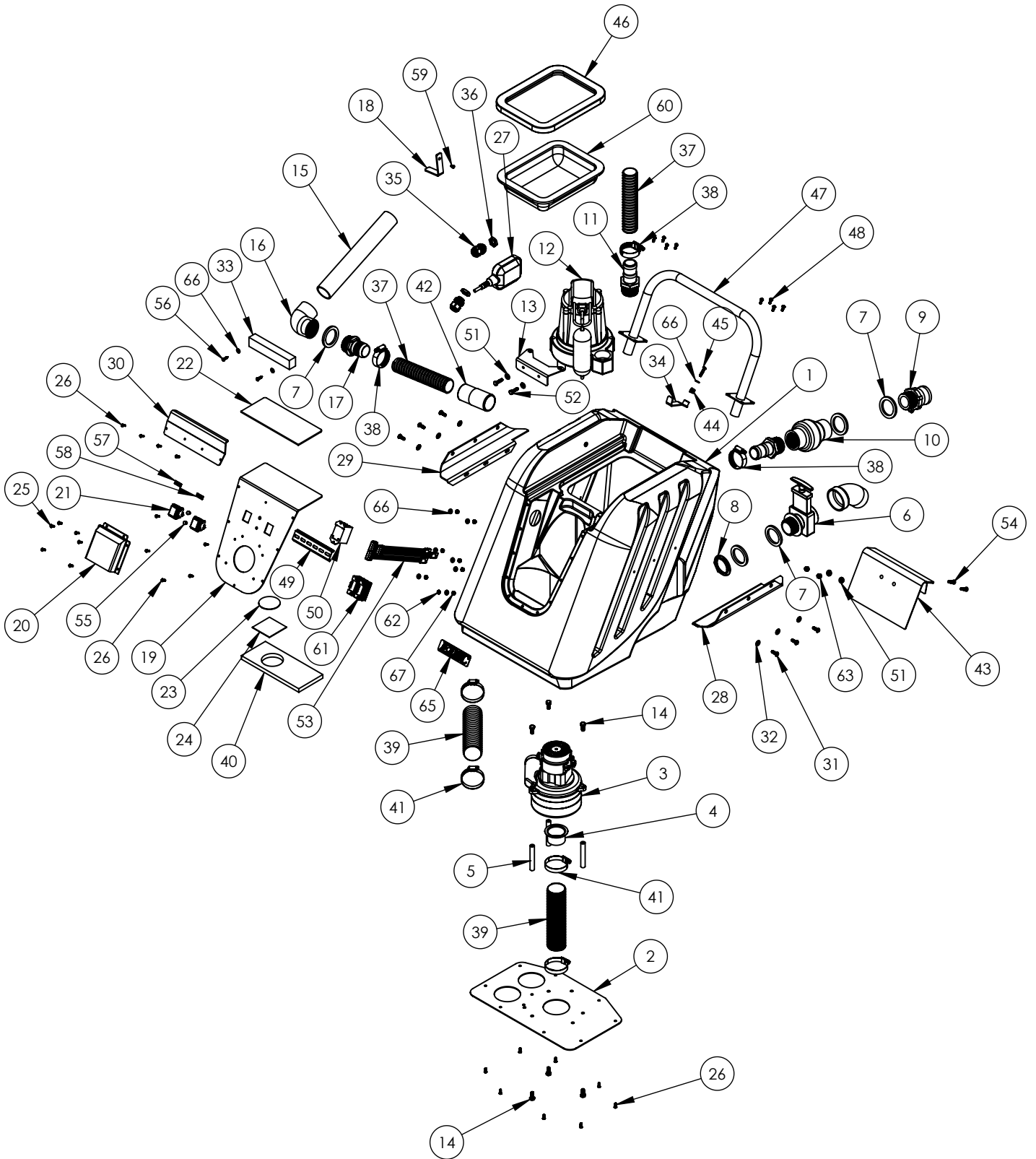
VACUUM MOTOR DOES NOT SHUT OFF:

- The vacuum float switch is stuck in low position.
- Relay contact is stuck shut.



WIRING DIAGRAM FB50
REV00 07/07/16

FB50 TANK
7/15/2016

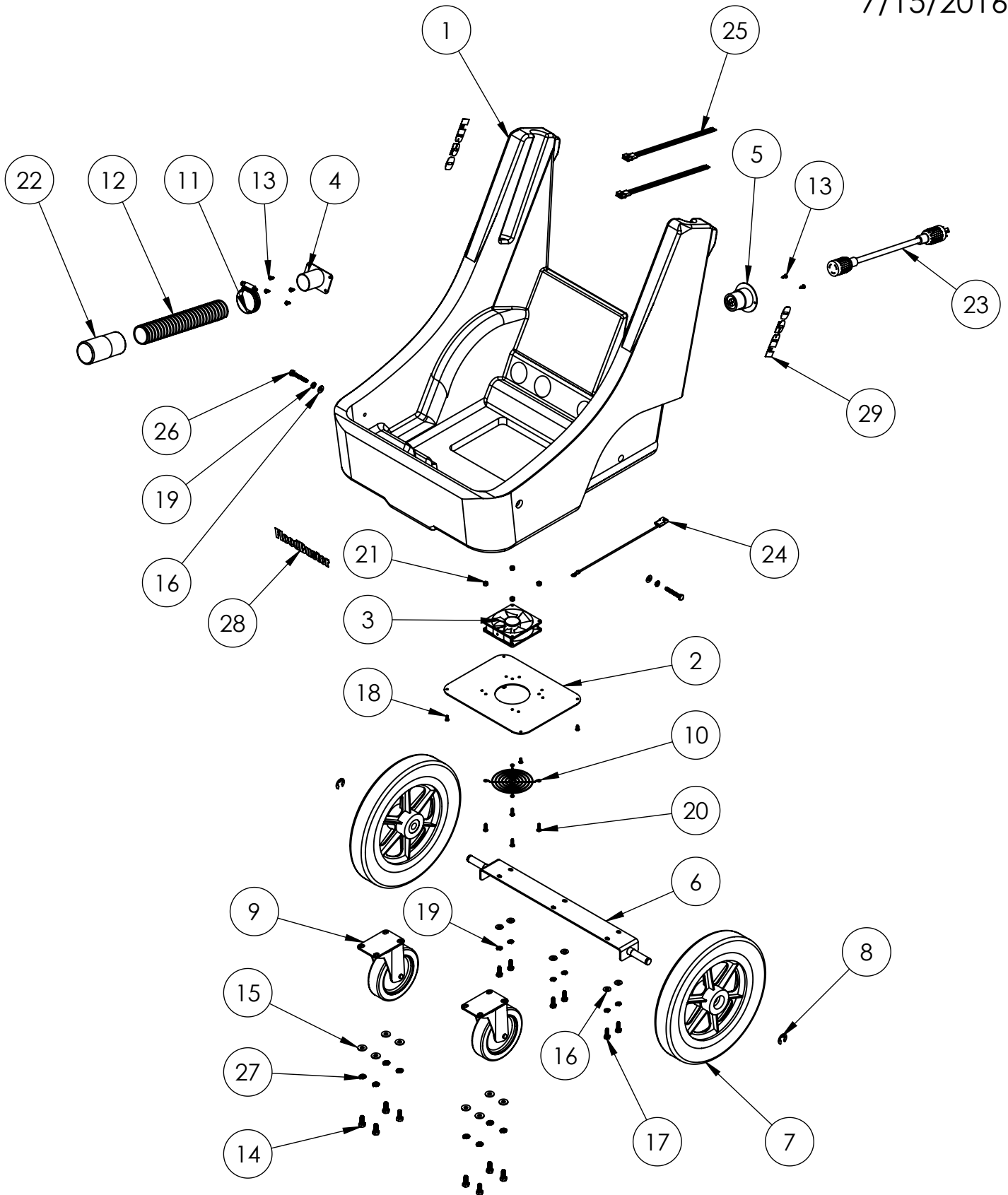


FB50 TANK
7/15/2016

ITEM NO.	PART NUMBER	DESCRIPTION	QTY.
1	F13809	TANK	1
2	D13614	VACUUM PLATE	1
3	G13941	VACUUM MOTOR, 120V, 3-STAGE	1
4	D00424	EXTENSION TUBE	1
5	D13855	ALUMINUM SPACER	3
6	K00711	DRAIN VALVE	1
7	E11128	DRAIN VALVE GASKET	5
8	C00271	1 1/2" JAM NUT	1
9	K13925	DISCHARGE FITTING	1
10	A13893	CHECK VALVE 1 1/2" FPT	1
11	K13920	1 1/2" HOSE BARB	2
12	G13895	PUMP, 50 GPM	1
13	D13891	PUMP BRACKET	1
14	C13844	5/16-18 X 3/4" HEX BOLT, SS	6
15	K00672	1-1/2" PIPE	1
16	K00666	1-1/2" 90 DEGREE ELBOW	1
17	K00665-1	1-1/2" HOSE ADAPTER	1
18	D14032	L-BRACKET	1
19	D13609	SWITCH PANEL, REV. 04	1
20	D13877	VENT COVER	1
21	B02211-1	ROCKER SWITCH	2
22	E13982	SWITCH PLATE PAD	1
23	F13983	SWITCH PLATE PLUG	1
24	F13984	SWITCH PANEL PLUG BASE	1
25	C00310-12	#8-32 X 1/2" SCREW, BLACK OXIDE	6
26	C11236	#8-32 X 1/2" SCREW, SS	17
27	B13269	FLOAT SWITCH	1
28	D13943	SIDE RAIL, RIGHT	1
29	D13942	SIDE RAIL, LEFT	1
30	D14034	LID HOLDER	1
31	C11167	1/4-20 X 3/4" SCREW, SS	6
32	C00233-1	1/4" ID FLAT WASHER, SS	6
33	E13951	GASKET, FRONT TANK	1
34	D13948	LID LATCH	1
35	B11821	STRAIN RELIEF	2
36	B11832	STRAIN RELIEF NUT	2
37	J00618-1	1 1/2" WIRE REINFORCED HOSE	2
38	J00650	SCREW CLAMP #24 1.25 INCH	3
39	J00618	2" ID HOSE	2

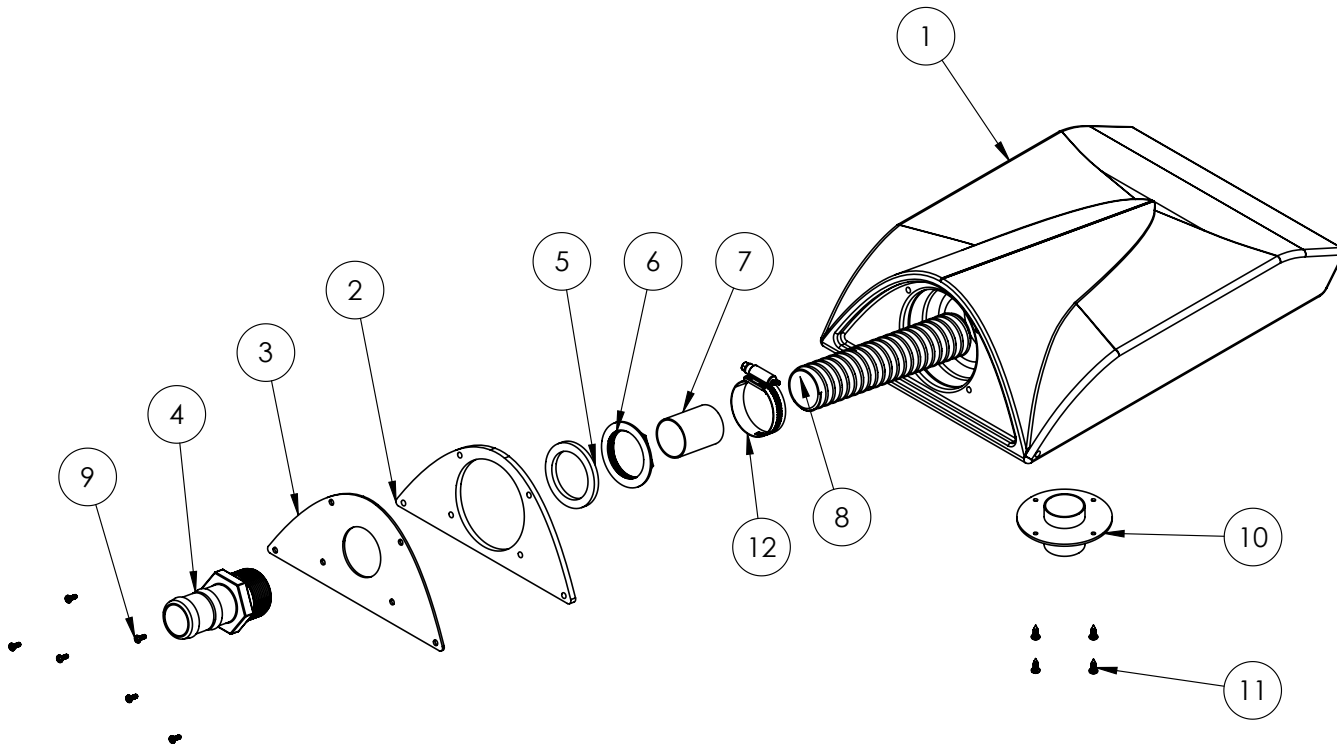
FB50 TANK
7/15/2016

ITEM NO.	PART NUMBER	DESCRIPTION	QTY.
40	E13949	GASKET, SWITCH PANEL	1
41	J00639	2" ID HOSE CLAMP	4
42	J10744	1 3/4" SLIP-ON CUFF GREY	1
43	D13973	DRIP GUARD	1
44	C14049	SPRING, 1/2" ID X 1/2" L	1
45	C11491	#10-32 X 1" SCREW, SS	1
46	E13900	GASKET, INTAKE BASKET	1
47	D13887	U-HANDLE	1
48	C02290	#10-32 X 1/2" SCREW, SS	8
49	B13851	DIN RAIL	1
50	B13848	RELAY	1
51	C00238	1/4" ID SEALING WASHER	4
52	C13028	1/4-20 X 1" HEX BOLT, SS	2
53	B13956	WIRING HARNESS	1
54	C14053	1/4-20 X 1" SCREW, FH, SS	2
55	K13905	5/16" NYLON PLUG	2
56	C00295-1	#10 X 3/4" SHEET METAL SCREW, SS	2
57	H02574	PUMP SWITCH LABEL	1
58	H02576	VACUUM SWITCH LABEL	1
59	C02268	#10-32 X 3/8" SCREW, FLAT HEAD, SS	1
60	K13898	INTAKE BASKET	1
61	B13738	MOUNTING CARRIER LEVER	2
62	C00256	LOCKWASHER, #10, EXT. STAR	1
63	C14055	LOCKNUT, 1/4-20, NYLON, BRASS	2
64	K00710	ELBOW, DRAIN VALVE	1
65	H11831	LABEL, EDIC	1
66	C11955	WASHER, #10	11
67	C13120	#8-32 HEX NUT W/ LOCK WASHER	8



FB50 BASE
7/15/2016

ITEM NO.	PART NUMBER	DESCRIPTION	QTY.
1	F13808	BASE	1
2	D13890	BASE BOTTOM PLATE	1
3	B13280	COOLING FAN	1
4	D13884	EXHAUST FLANGE REV.04	1
5	B13278	POWER INLET	1
6	D13888	AXLE	1
7	G13248	WHEEL 12 INCH	2
8	C13861	E-RING	2
9	G13897	CASTER, SWIVEL, 5"	2
10	D13281	FAN GUARD 92MM	1
11	J00650	SCREW CLAMP #24 1.25 INCH	1
12	J00618-1	HOSE 1.5 INCH	1
13	C00293	#8-32 X 0.5" PAN HEAD SCREW	6
14	C13844	1/4-20 X 3/4" HEX BOLT, SS	8
15	C00233	1/4" ID FLAT WASHER USS SAE	8
16	C00233-1	1/4" ID FLAT WASHER, SS	8
17	C00313	1/4-20 X 3/4" HEX BOLT	6
18	C00311	#8-32 X 3/8" SCREW	4
19	C00254	1/4" SPLIT LOCKWASHER	8
20	C10737	#8-32 X 5/8" TRUSS HEAD SCREW, SS	4
21	C02320	#8-32 NYLON LOCKNUT STAINLESS	4
22	J10744	1 3/4" SLIP-ON CUFF GREY	1
23	B13131	EXTENSION CORD 12/3 SJTW	1
24	-	COOLING FAN WIRE HARNESS	1
	B02177	MOLEX, 3-C MALE	1
	B02178	MOLEX PIN, FEMALE	3
	B00185-61	GROUND WIRE, 16GA	1
	B00180-10-3	RING TERMINAL, #10 CENTER	1
25	B13899	WIRING HARNESS	1
26	C02322	HEX BOLT, 1/4-20 X 1 3/4	2
27	C00251	SPLIT LOCK WASHER, 5/16"	8
28	H13672	LABEL, FLOODBUSTER	1
29	H13673	LABEL, FB50	2
-	B00190	NYLON TIE, 4"	2
-	H02548-2	LABEL, WARNING, POWER CORD	1
-	B12915	CABLE TIE, VELCRO	1



ITEM NO.	PART NUMBER	DESCRIPTION	QTY.
1	F13810	LID	1
2	E13904	INTAKE PANEL GASKET	1
3	D13608	INTAKE PANEL	1
4	K13920	1 1/2" HOSE BARB	1
5	E11128	DRAIN VALVE GASKET	1
6	C00271	1 1/2" JAM NUT	1
7	D14054	1-1/2" ID EXTENSION TUBE	1
8	J00618-1	1 1/2" WIRE REINFORCED HOSE	1
9	C00324-38	#6-32 X 3/8" SCREW RH	6
10	D14019	AIR GUIDE FLANGE	1
11	C00293	#8-32 X 0.5" PAN HEAD SCREW	4
12	J00650	SCREW CLAMP #24 1.25 INCH	1



LIMITED WARRANTY POLICY

To register your product warranty, visit our website at: www.edic-usa.com/warranty-registration/

LIFETIME on rotationally molded polyethylene tanks

2 YEARS on service labor, and all other parts not covered by the LIFETIME terms

EDIC REPLACEMENT PARTS LIMITED WARRANTY PLAN

All parts sold as replacement parts for out-of-warranty EDIC products have the following Limited Warranty, with no warranty on labor: 30 DAYS

Your product is warranted to be free of defects in material and workmanship for the period set forth above, after the date of delivery to the retail purchaser, when operated in normal service and used in accordance with the operating and maintenance instructions in the Owner's Manual. This warranty is limited to and provides at no cost to the retail purchaser repair or replacement of parts determined to be defective, at EDIC's option, and labor, if provided for above, to replace or repair the parts ("service labor") according to EDIC's Standard Rates, during the warranty period set forth above. This warranty excludes transportation charges unless authorized in writing by EDIC. No warranty returns for refund or credit will be permitted. In the event of a defect, these are your exclusive remedies. Warranty claims must be made in writing to EDIC prior to returning the product and no products will be accepted for repair or replacement without prior authorization by EDIC. Use of parts not approved by EDIC in EDIC products will void this warranty. Warranty repair or replacement shall not extend the original warranty period of the product, and replacement parts used for in-warranty repairs will only be warranted for the remainder of the original warranty and not from their installation date. Any parts or product replaced under this Limited Warranty will become the property of EDIC.

EXCEPTIONS AND EXCLUSIONS FROM THE WARRANTY. This Limited Warranty only covers product issues caused by defects in material or workmanship during normal service. It does not cover product issues from any other cause, including but not limited to (a) transportation damages; (b) alteration by unauthorized persons; (c) unauthorized use, unreasonable use, misuse, or abuse (including the use of incompatible or corrosive chemicals or overloading of capacity); (d) failure caused by lack of proper maintenance and cleaning; (e) normal wear on items such as cords, belts, hoses, switches, bumpers, gaskets, seals, carbon brushes, squeegees, harnesses, valves, cams, extraction brushes, bearings, handle grips, filters and finishes; (f) acts of God; or (g) modification of or any part of the product. This Limited Warranty does not cover EDIC products sold AS IS and WITH ALL FAULTS. This Limited Warranty is valid only in the United States and Canada. We suggest that you complete and return the enclosed product registration card promptly to facilitate verification of the date of the original purchase. However, return of the product registration card does not eliminate the need for the retail purchaser to maintain the original proof of the purchase in order to obtain the warranty benefits. In the event that you do not have proof of purchase date, the purchase date for purposes of this warranty will be the date of manufacture.

For specific information on how to obtain warranty services for your product, please write to: EDIC/Warranty Department 1753 Blake Ave. Los Angeles, CA 90031

THERE ARE NO WARRANTIES WHICH EXTEND BEYOND THE DESCRIPTION ON THE FACE OF THIS STATEMENT. THERE IS NO IMPLIED WARRANTY OF MERCHANTABILITY OR FITNESS FOR ANY USE ON THESE GOODS.

NO IMPLIED WARRANTY, INCLUDING ANY IMPLIED WARRANTY OF MERCHANTABILITY OR FITNESS FOR A PARTICULAR PURPOSE, APPLIES TO THE PRODUCT AFTER THE APPLICABLE PERIOD OF THE EXPRESS LIMITED WARRANTY STATED ABOVE, AND NO OTHER EXPRESS WARRANTY, EXCEPT AS MENTIONED ABOVE, GIVEN BY ANY PERSON OR ENTITY WITH RESPECT TO THE PRODUCT SHALL BIND EDIC. EDIC SHALL NOT BE LIABLE FOR ANY FORM OF ACTION FOR ANY DAMAGES, WHETHER DIRECT, SPECIAL, INCIDENTAL, CONSEQUENTIAL, OR INDIRECT, TO PROPERTY OR PERSON, INCLUDING BUT NOT LIMITED TO, DAMAGE OR LOSS OF INCOME, LOSS OF PRODUCTION, OR LOSS OF PROFITS DUE TO MALFUNCTIONING OF ANY PRODUCT, REGARDLESS OF THE LEGAL THEORY ON WHICH THE CLAIM IS BASED. IN NO EVENT SHALL RECOVERY OF ANY KIND AGAINST EDIC BE GREATER IN AMOUNT THAN THE PURCHASE PRICE OF THE PRODUCT SOLD BY EDIC, AND CAUSING

THE ALLEGED DAMAGE. WITHOUT LIMITING THE FOREGOING, YOU ASSUME ALL THE RISK AND LIABILITY FOR LOSS, DAMAGE OR INJURY TO YOU AND YOUR PROPERTY AND TO OTHERS AND THEIR PROPERTY ARISING OUT OF USE OR MISUSE OF, OR INABILITY TO USE, THE PRODUCT NOT CAUSED DIRECTLY BY NEGLIGENCE OF EDIC. THIS LIMITED WARRANTY STATES YOUR EXCLUSIVE REMEDY.

Some states do not allow the exclusion or limitation of incidental or consequential damages, or allow limitations on how long an implied warranty lasts, so the above limitations or exclusions may not apply to you. This Limited Warranty gives you specific legal rights and you may have other rights which vary from state to state (or province).