



## **Electronic Service Manuals**

This electronic document is provided as a service to our customers. We do not create the contents of the information contained in this document. Should you have detailed questions pertaining to the information contained in this document, you may contact Michco, or the manufacturer which provided the original information in this electronic deliverable. Michco's only part in this electronic deliverable was the electronic assembly process. By providing this manual online we are not guaranteeing parts availability.

You may contact Michco through the following methods:

**Phone (517) 484-9312**

2011 N. High St. -- Lansing, Michigan -- 48906

Fax: (517) 484-9836

Email: [CustomerService@Michco.com](mailto:CustomerService@Michco.com)

Website: [www.Michco.Com](http://www.Michco.Com)

Order Parts online at:

**[www.Michco.Com](http://www.Michco.Com)**

Directly to Parts & Service:

By Email: **[CustomerService@Michco.com](mailto:CustomerService@Michco.com)**

By Fax: (517) 484-9836

By Voice: (517) 484-9312

**Serving the Cleaning Industry Since 1922**

Notice: All copyrighted material remains property of original owners, all trademarks are property of respective owners. Manuals are subject to Manufacturer's reproduction limitations. Originals or reproductions were provided by manufacturers through a request. We make no warranty as to the correctness of information provided in this document and you assume all risk. By placing these manuals on line we are not declaring our corporation to be an manufacturer authorized dealer or provider, please check our web site for authorized manufacturers we represent.

# AQUA DRI

---

## OWNER'S MANUAL & PARTS LIST

This equipment is intended for commercial use only.



**3004ADN**  
**3005ADN**

**3004AD-CCN**  
**3005AD-CCN**

**EDIC**

1753 BLAKE AVENUE □ LOS ANGELES, CA 90031 □ (800)338-EDIC OR (323) 660-1635 □ FAX (323) 667-0144

## **BEFORE OPERATING THE MACHINE**

Read the manual carefully and completely before attempting to operate the unit. This manual has important information for the use and safe operation of the machine. Keep this manual handy at all times. This machine will assure years of satisfactory service if operated and maintained according to recommendations in this manual. If additional information is needed, please contact your local distributor or write to:

**EDIC**  
1753 Blake Ave  
Los Angeles, CA 90031-1006

### **Electrical- 120 Volt**

This machine is designed to operate on a standard 15 amp., 120 volt, 60 Hz, AC circuit. Voltages below 105 volts AC or above 125 volts AC could cause serious damage to the motor

### **Electrical- 230 Volt**

This machine is designed to operate on a standard 10 amp., 230 volt, 50 Hz, AC circuit.

## **IMPORTANT SAFETY INSTRUCTIONS READ AND SAVE THESE INSTRUCTIONS BEFORE USING**

### **DANGER**

- Improper connection of the equipment- grounding conductor can result in a risk of fire, electric shock or injury to person.

Check with a qualified electrician or service person if you are in doubt as to whether the outlet is properly grounded. Do not modify the plug provided with the air mover- if it will not fit the outlet, have a proper outlet installed by a qualified electrician.

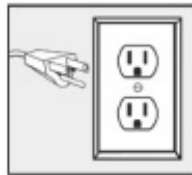
## **WARNING**

- This equipment is not designed to handle or use combustible/ volatile substances such as gasoline or kerosene, in, on, or near the machine. The use of such materials will cause an extreme hazardous condition.
- Do not immerse or use this machine in standing water. Such use may cause electric shock.
- Disconnect the power cord from the outlet before servicing.
- Ensure children do not have access to the equipment. Do not allow children to play with or near the unit or in its air flow.
- Do not use with damaged cord or plug. If air mover is not working as it should, has been dropped, damaged, left outdoors, or dropped into water, return it to a qualified service center.
- Do not operate any fan with a damaged cord or plug. Discard fan or return to an qualified service facility for examination and/or repair.
- Do not run cord under carpeting. Do not cover cord with throw rugs, runners or similar coverings. Do not route cord under furniture or appliances. Arrange cord away from traffic area and where it will not be tripped over.
- Repairs only allowed by a qualified service center. Do not attempt to disassemble or repair the unit if you are not qualified to do so.
- When using an extension cord, use only a 3 conductor grounding cord- 12 ga. wire or heavier.
- Never operate with the safety grills removed. Personal injury may result.
- To avoid electric shock, do not expose the unit to rain- store it indoors only.
- Do not expose machine to freezing temperatures.
- Do not move or carry the unit when it is turned on.
- Do not pull or carry by the cord, use cord as a handle, close a door on the cord, or pull cord around sharp edges or corners.
- Keep cord away from heated surfaces.
- Do not unplug by pulling on cord. To unplug, grasp the plug, not the cord.
- Do not handle plug or air mover with wet hands.
- Do not put object into openings. Do not use with any opening blocked; keep free of dust, lint, hair and anything that may reduce air flow.
- Keep hair, loose clothing, fingers and all parts of the body away from openings and moving parts.
- Turn off all controls before unplugging.
- Connect to a properly grounded outlet only. *See grounding instructions.*
- Operate unit on level and stable surface to prevent it from falling and possibly causing injury.
- Do not drop or throw the unit. Treatment of this type can cause damage to the components and create a hazardous condition.
- To reduce the risk of fire or electric shock, do not use this air mover with any solid-state speed control devices.

**FAILURE TO COMPLY WITH THE ABOVE WARNING INSTRUCTION WILL VOID THE WARRANTY.**

**GROUNDING INSTRUCTIONS:**

The 120 V. A/C and the 230 V. A/C models have been outfitted with the appropriate grounded connectors. Make sure the machine is connected to a grounded outlet having the same configuration as the grounded plug. No adaptor should be used with this machine. Any modification to the connectors will void the warranty.

**OPERATING PROCEDURES:**

Plug the Aqua Dri into a standard grounded outlet with correct voltage and amperage. Turn on the switch and check that the unit operates properly before leaving it unattended. *Do not carry or move the Aqua Dri when it is running.*

**MAINTENANCE:**

1. Disconnect the power cord from the outlet before performing this maintenance procedure.
2. Inspect the electrical cord and wiring for damage or discoloration.
3. Inspect for loose fasteners.
4. Clean screens on the side and front of the unit.
5. Listen for abnormal sounds.
6. Keep unit clean.
7. Motor does not require lubrication.

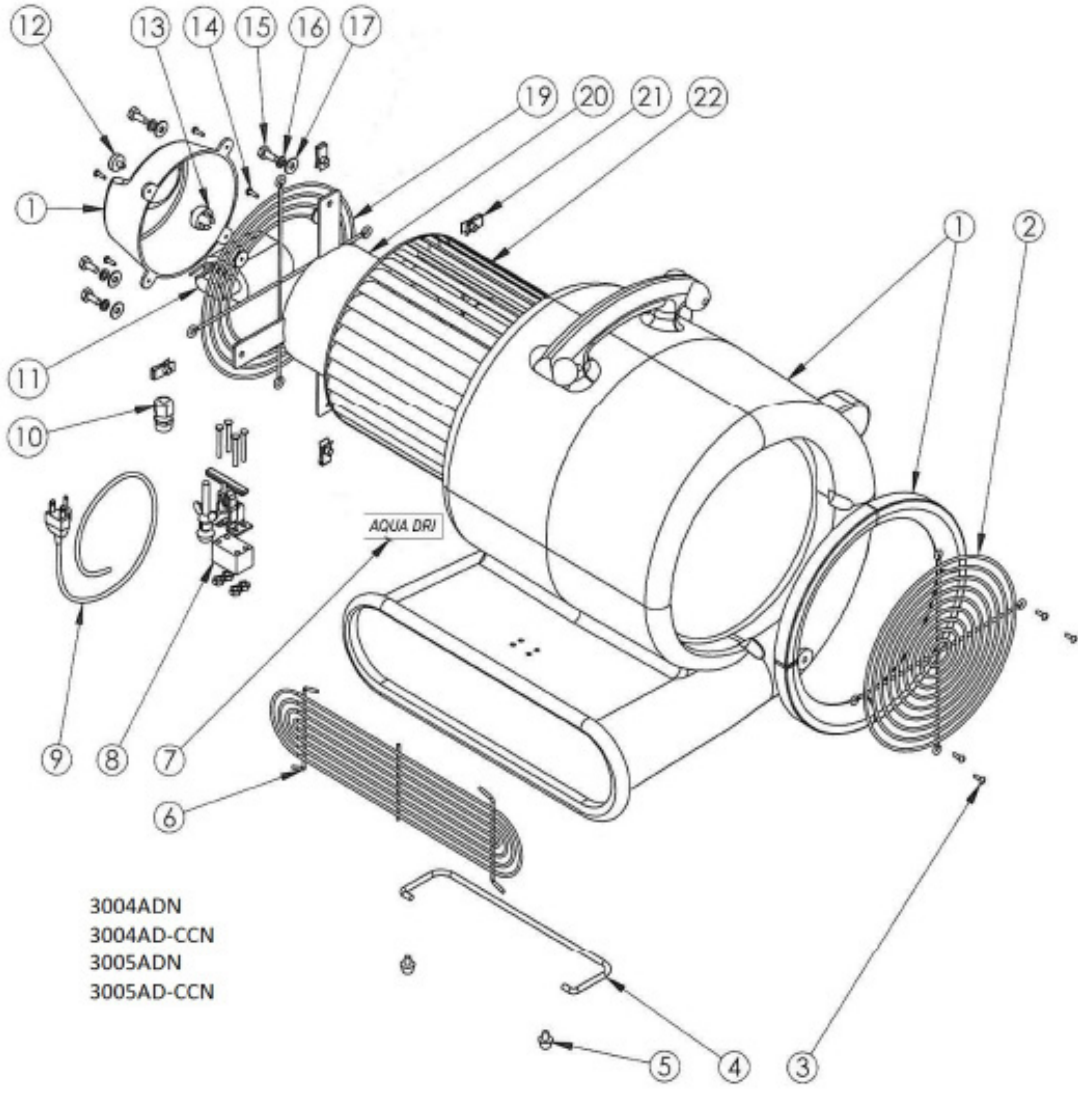
**PERIODIC MAINTENANCE:**

Use compressed air or a vacuum to remove lint, etc, from the motor, screen or blower. Do not wet the motor or the wiring. Do not use a pressure washer to clean the unit.

# **TROUBLESHOOTING**

## ***ELECTRICAL SYSTEM***

<b>PROBLEM</b>	<b>POSSIBLE CAUSE</b>
Does not turn on	<ol style="list-style-type: none"><li>1. Switch is defective.</li><li>2. Wall circuit breaker is tripped.</li><li>3. Defective power cord.</li><li>4. Capacitor is defective.</li></ol>
Does not operate at all speeds	<ol style="list-style-type: none"><li>1. Switch is defective.</li><li>2. Capacitor is defective.</li></ol>
Blower wheel rubs	<ol style="list-style-type: none"><li>1. Wheel is out of round.</li></ol>
Unit makes abnormal sounds	<ol style="list-style-type: none"><li>1. Defective motor.</li><li>2. Foreign object stuck.</li></ol>



3004ADN  
 3004AD-CCN  
 3005ADN  
 3005AD-CCN

## AQUA DRI PARTS LIST

ITEM #	3004ADN	3005ADN	DESCRIPTION	QTY
1	F13504-BLUE	F13504-1BLUE	ROTOMOLD PLASTIC HOUSING	1
2	D11774	D11774	INTAKE GRILLE	1
3	C11893	C11893	8 X .5 PAN PHILLIPS BLACK	4
4	D11778	D11778	KICKSTAND	1
5	E11841	E11841	GROMMET	2
6	D11773	D11773	FRONT GRILLE	1
7	H02545	H02545	AQUA DRI LABEL	1
8	11906A	11906A	CARPET CLAMP ASSEMBLY (For 3004AD-CCN and 3005AD-CCN units only)	1
9	B10719	B10719	POWER CORD	1
10	B11821	B11821	STRAIN RELIEF	1
11	B13511	B13511	CAPACITOR ATTACHED TO MOTOR	1
12	G00515-3	G00515-3	KNOB, SPEED CONTROL SWITCH	1
13	B11825	B11825	ROTARY SWITCH	1
14	C13026	C13026	8 X 32 X .63 PAN PHILLIPS BLACK	4
15	C00314-1	C00314-1	HEX BOLT, 1-4 X 20 X .63 IN	4
16	C00254	C00254	LOCK WASHER, 1-4 IN SPLIT	4
17	C00233	C00233	WASHER, FLAT, .25 IN	4
19	D11775	D11775	MOTOR GRILLE	1
20	G11823	G11823	MOTOR	1
21	C00267-1	C00267-1	U-NUT, 1-4-20	1
22	G11826	G11826	FAN WHEEL	1



1753 BLAKE AVENUE □ LOS ANGELES, CA 90031 □ (800)338-EDIC OR (323) 660-1635 □ FAX (323) 667-0144  
E-mail: [info@edic-usa.com](mailto:info@edic-usa.com)  
Last Update: 03-05-12