



## Electronic Service Manuals

This electronic document is provided as a service to our customers. We do not create the contents of the information contained in this document. Should you have detailed questions pertaining to the information contained in this document, you may contact Michco, or the manufacturer which provided the original information in this electronic deliverable. Michco's only part in this electronic deliverable was the electronic assembly process. By providing this manual on line we are not guaranteeing parts availability.

You may contact Michco through the following methods:

Phone (517) 484-9312 or (800) 331-3339

2011 N. High St. -- Lansing, Michigan -- 48906

Fax: (517) 484-9836

Email: [CustServe@Michco.com](mailto:CustServe@Michco.com)

Web site: [www.Michco.Com](http://www.Michco.Com)

Parts Web site: [www.FloorMachineParts.Com](http://www.FloorMachineParts.Com)

Order Parts on Line at:

**[www.FloorMachineParts.Com](http://www.FloorMachineParts.Com)**

Directly to Parts & Service:

By Email: **[Shop@Michco.com](mailto:Shop@Michco.com)**

By Fax: (517) 702-2041

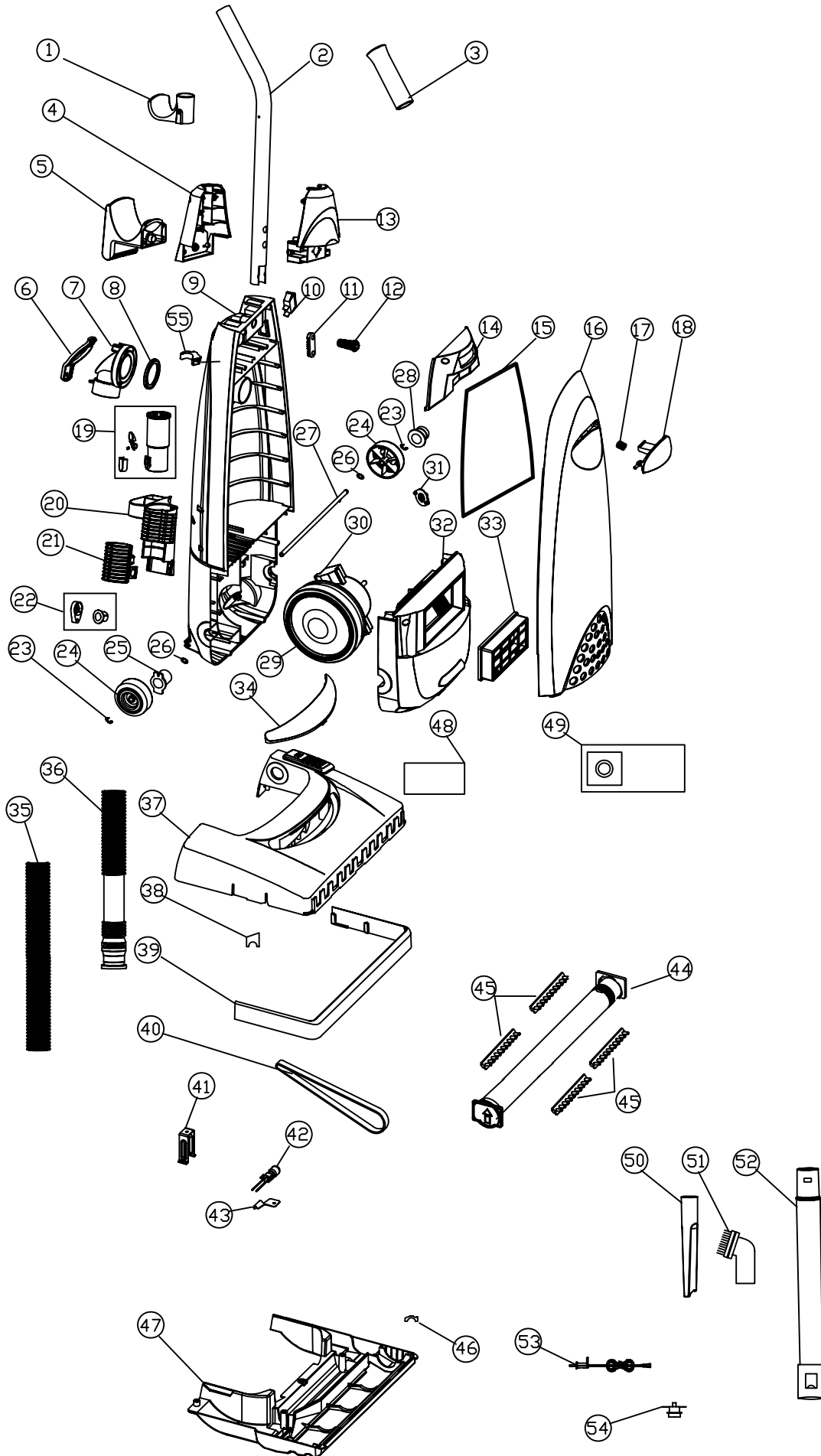
By Voice: Use numbers above.

**Serving the Cleaning Industry Since 1922**

Notice: All copyrighted material remains property of original owners, all trademarks are property of respective owners. Manuals are subject to Manufacturer's reproduction limitations. Originals or reproductions were provided by manufacturers through a request. We make no warranty as to the correctness of information provided in this document and you assume all risk. By placing these manuals on line we are not declaring our corporation to be an manufacturer authorized dealer or provider, please check our web site for authorized manufacturers we represent.

**CLEAN MAX**  
**CMC-QD**

# CMC-QD



CMC-QD

KEY	PART NUMBER	DESCRIPTION	KEY	PART NUMBER	DESCRIPTION
1	53.075	Hose Supporter	28	53.031	Rear Sheel Bushing LH
2	53.076	Metal Handle Tube	29	53.033	Motor Seal
3	53.160	Handle Grip-Rubber	30	20.085	Motor 10 Amp
4	53.077	Handle Support	31	53.036	Motor Mount-Front
5	53.079	Carry Handle/Cord Wrap	32	53.037	Motor Cover
6	53.014	Air Intake Cover	33	6.288	HEPA Exhaust Filter
7	53.015	Air Intake	34	53.040	Headlight Lens
8	53.016	Air Intake Seal	35	53.039	Stretch Hose
9	53.080	Dust Compartment	36	53.085	Lower Nozzle Hose
10	53.018	Switch	37	CM0655002	Nozzle Housing
11	53.019	Cord Cover	38	53.042	Brushroll Seal A
12	54.040	Strain Relief	39	53.043	Furniture Guard
13	53.078	Handle Support Front	40	9.195	Belt (2pk)
14	53.021	Switch Cover	41	53.044	Belt Retainer
15	53.022	Dust Compartment Seal	42	53.046	12V Bulb
16	CM0655001	Dust Cover	43	53.047	Handle Spring
17	53.024	Dust Cover Lever Spring	44	10.091	Burshroll Assembly
18	53.025	Dust Cover Lever	45	10.062	Brush Strip Nylon
19	53.081	Hose Connector Cuff Assy	46	53.048	Brushroll Felt Seal
20	53.082	Hose Connector/Wand Holder	47	53.049	Bottom Plate
21	53.083	Hose Connector Lower	48	6.265	Secondary Filter
22	53.084	Suction Relief Valve Assy	49	6.181	Paper Bag 6pk
23	53.030	Rear Wheel Clip	50	5.065	Crevice Tool
24	53.029	Rear Wheel	51	5.069	Furniture Tool
25	53.032	Rear Wheel Bushing RH	52	53.157	Telescopic Wand
26	53.028	Washer	53	14.062	Power Cord 40'
27	53.027	Rear Wheel Shaft	54	53.054	Thermal Reset Switch
			55	53.087	Telescopic Wand Support