



Electronic Service Manuals

This electronic document is provided as a service to our customers. We do not create the contents of the information contained in this document. Should you have detailed questions pertaining to the information contained in this document, you may contact Michco, or the manufacturer which provided the original information in this electronic deliverable. Michco's only part in this electronic deliverable was the electronic assembly process. By providing this manual on line we are not guaranteeing parts availability.

You may contact Michco through the following methods:

Phone (517) 484-9312 or (800) 331-3339

2011 N. High St. -- Lansing, Michigan -- 48906

Fax: (517) 484-9836

Email: CustServe@Michco.com

Web site: www.Michco.Com

Parts Web site: www.FloorMachineParts.Com

Order Parts on Line at:

www.FloorMachineParts.Com

Directly to Parts & Service:

By Email: **Shop@Michco.com**

By Fax: (517) 702-2041

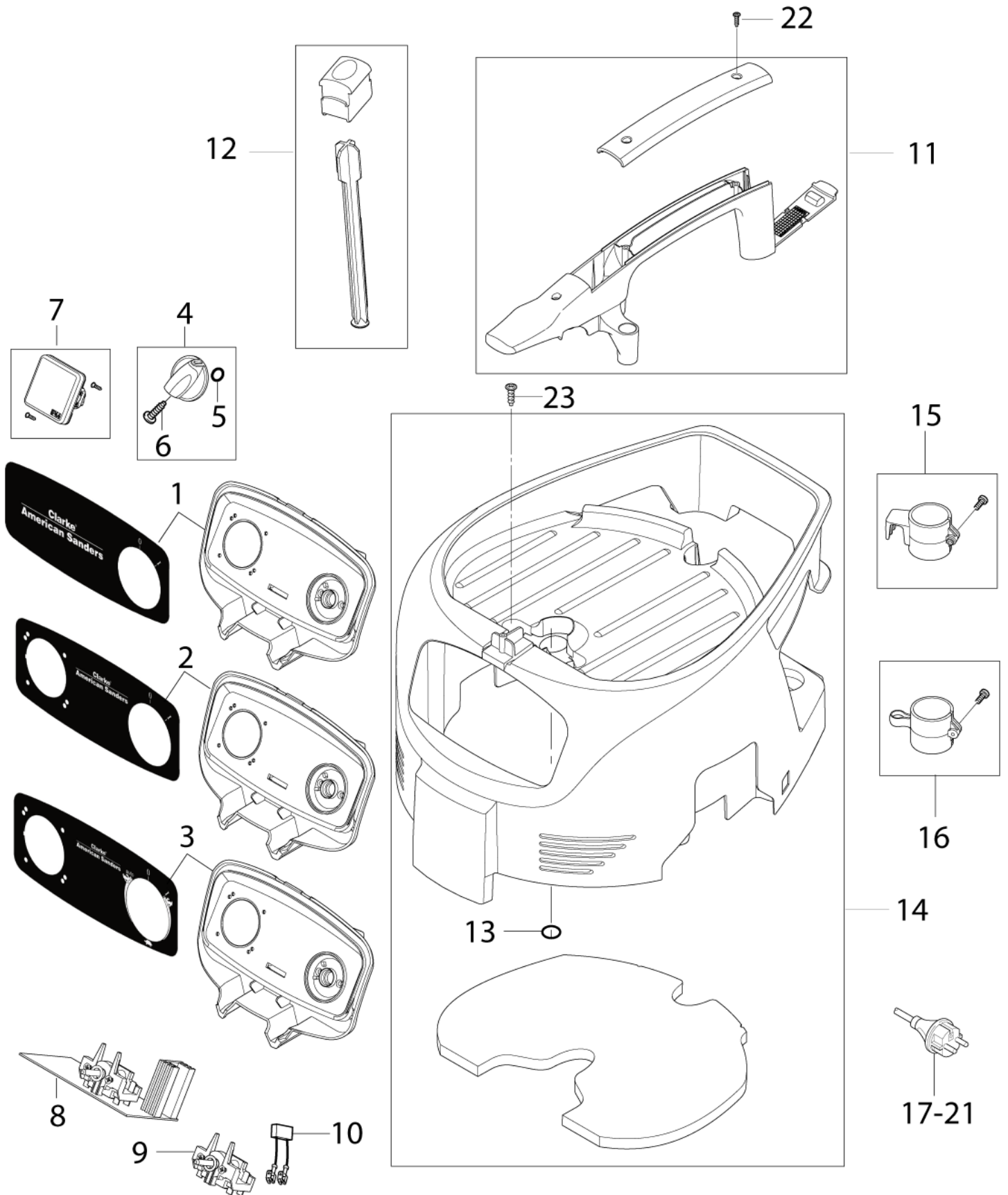
By Voice: Use numbers above.

Serving the Cleaning Industry Since 1922

Notice: All copyrighted material remains property of original owners, all trademarks are property of respective owners. Manuals are subject to Manufacturer's reproduction limitations. Originals or reproductions were provided by manufacturers through a request. We make no warranty as to the correctness of information provided in this document and you assume all risk. By placing these manuals on line we are not declaring our corporation to be an manufacturer authorized dealer or provider, please check our web site for authorized manufacturers we represent.

Model : 36927 CAV 8 and CAV 12

Drawing : CAV81201 Cabinet Push Clean & Basic & XC

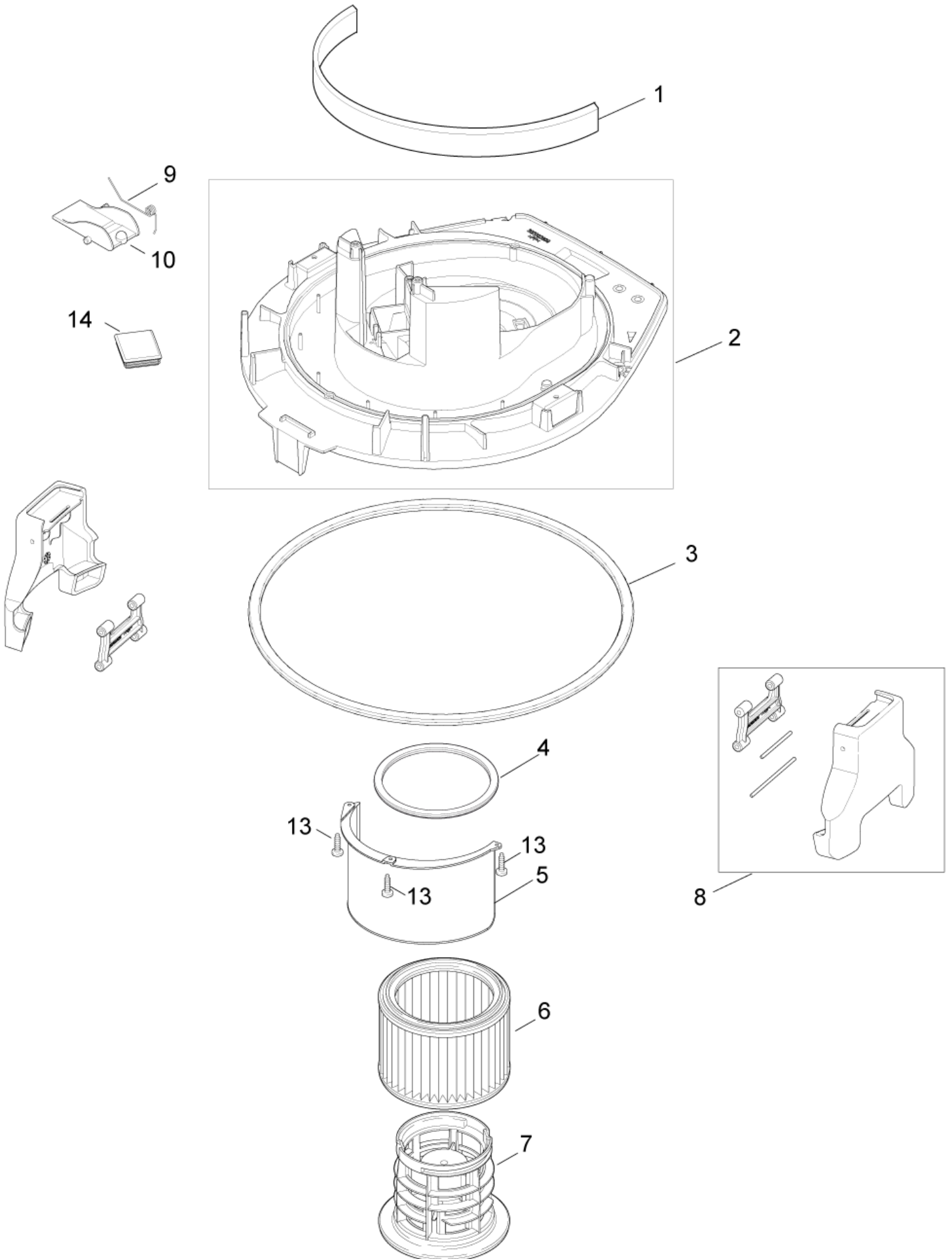


Partlist : CAV812002 Cabinet Push Clean & Basic & XC

IA	Pos. no.	Qty.	Item no.	Item Text
	1	1	107400503	SWITCHBOX CAV 01PC
	10	1	48338	ANTI-INTERFERENCE CAPACITOR
	11	1	107400062	HANDLE FOR PUSH CLEAN
	11	1	302004050	HANDLE
	12	1	107400502	
	13	1	302004061	O-RING 25X2 NBR 70
	14	1	107400061	COVER BLACK XC BASIC
	14	1	302004046	COVER BLACK PC
	15	1	302004027	TUBE HOLDER HOOK
	16	1	107400064	TUBE HOLDER SNAP
	17	1	302000882	POWER CORD SJTW-AWG16/3X8
	18	1	26289	
	19	1	302004032	SCREW 3.5X18
	2	1	107400504	
	20	1	302004029	SCREW 5X18
	3	1	107400505	
	4	1	909100231	TURNING KNOB GR.1 6X5 PP GREY
	5	1	9868	O RING DIA10X2,5
	6	1	32526	SHEET METAL SCREW
	7	1	302000149	OUTLET BOX 2-P.+PE 15A/125V -US/CSA
	8	1	107400261	AUTO ON-OFF PCB XC 100-120V
	9	1	302004035	ON-OFF SWITCH

Model : 36927 CAV 8 and CAV 12

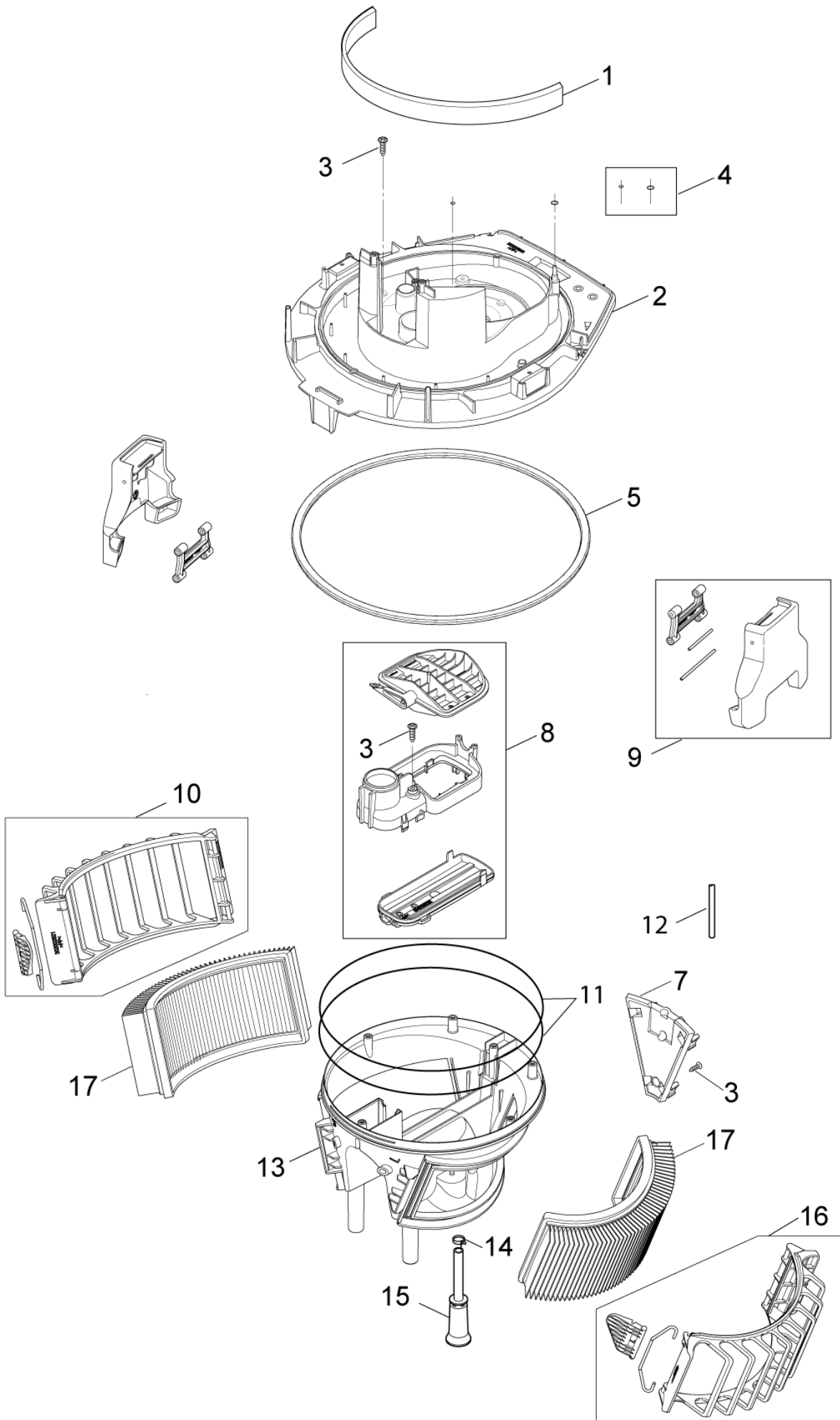
Drawing : ATTIX30I03 Filtersystem Push Clean & Basic



IA	Pos. no.	Qty.	Item no.	Item Text	
	1	1	302004010	SOUND INSULATION FRONT	
	10	1	302000344	FLAP 79X53X25 ATTIX 3	
	13	1	302004029	SCREW 5X18	
	14	1	302004058	PLUG FOR BASIC	
	2	1	302004007	BASEPLATE PC	
	3	1	302004008	GASKET FOR CONTAINER	
	4	1	302000460	GASKET FILTER	
	5	1	302004016	DEFLECTOR	
	6	1	302000490	FILTER ELEMENT LD185X19	
	6	1	302001095	FILTER ELEMENT 185X140	
	7	1	302000472	FILTER SUPPORT CAGE ATTIX	PP
	8	2	302004005	CONTAINER CLAMP	
	9	1	909100083	TORSION SPRING D0.9X18X45 INOX	

Model : 36927 CAV 8 and CAV 12

Drawing : ATTIX30I04 Filtersystem XC

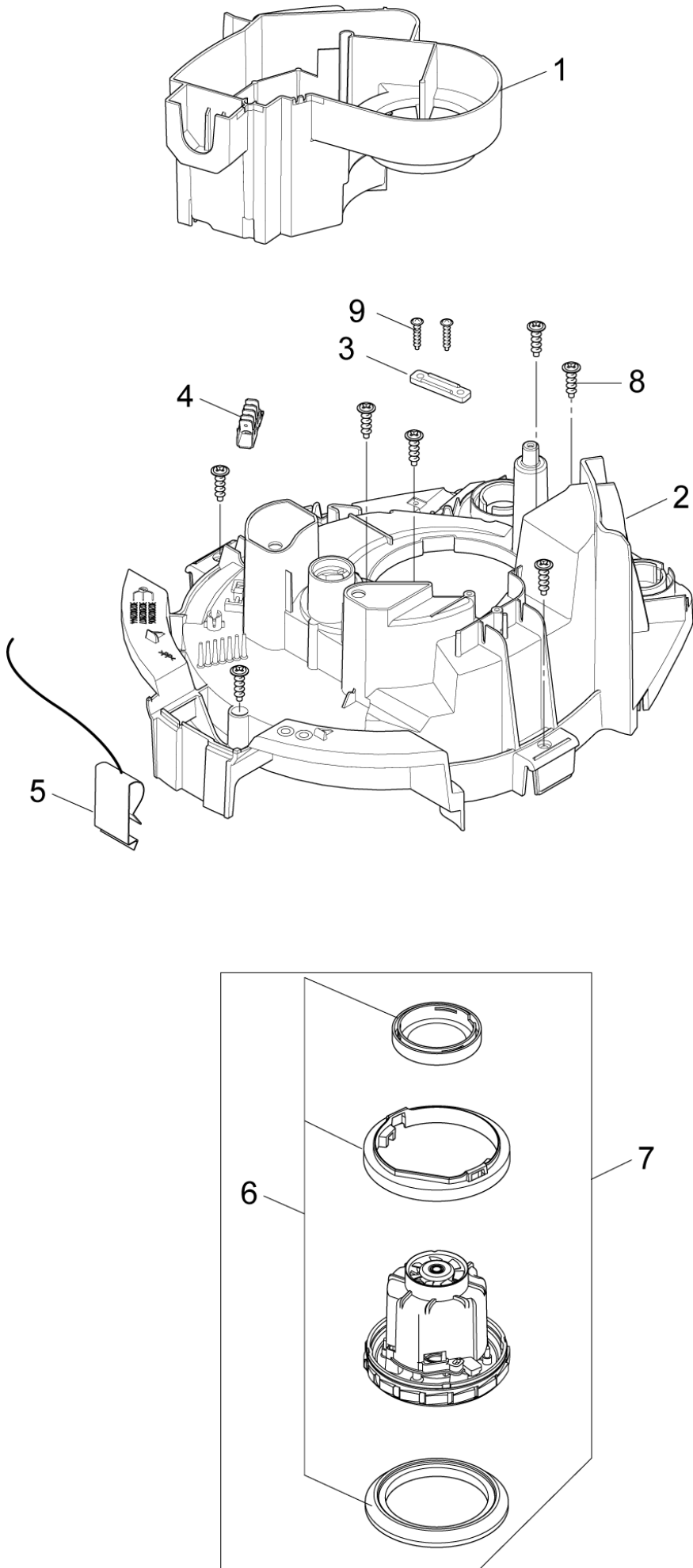


Partlist : CAV812004 Filtersystem XC

IA	Pos. no.	Qty.	Item no.	Item Text
	1	1	302004010	SOUND INSULATION FRONT
	10	1	107400281	FILTERCASING FLAT FILTER R
	11	1	107400283	SEALING FOR XC
	12	1	107400280	HOSE D3X1.5 FILTER SIDE XC
	13	1	107400279	FILTERBRACKET XC
	14	1	107400285	BAND CLAMP FITTING
	15	1	107400284	HOSE D42X155 FILL LEV. SHUTOFF
	16	1	107400282	FILTERCASING FLAT FILTER L
	17	1	107400449	
	17	1	302002842	FLAT FILTER SET 2 PCS
	2	1	107400275	BASEPLATE XC
	3	9	302004029	SCREW 5X18
	4	1	107400274	O-RING XC KIT
	5	1	302004008	GASKET FOR CONTAINER
	6	1	107400276	SERVO WIRE XC
	7	1	107400278	FILTERBRACKET PLATE XC
	8	1	107400277	CX FLAP KIT
	9	2	302004005	CONTAINER CLAMP

Model : 36927 CAV 8 and CAV 12

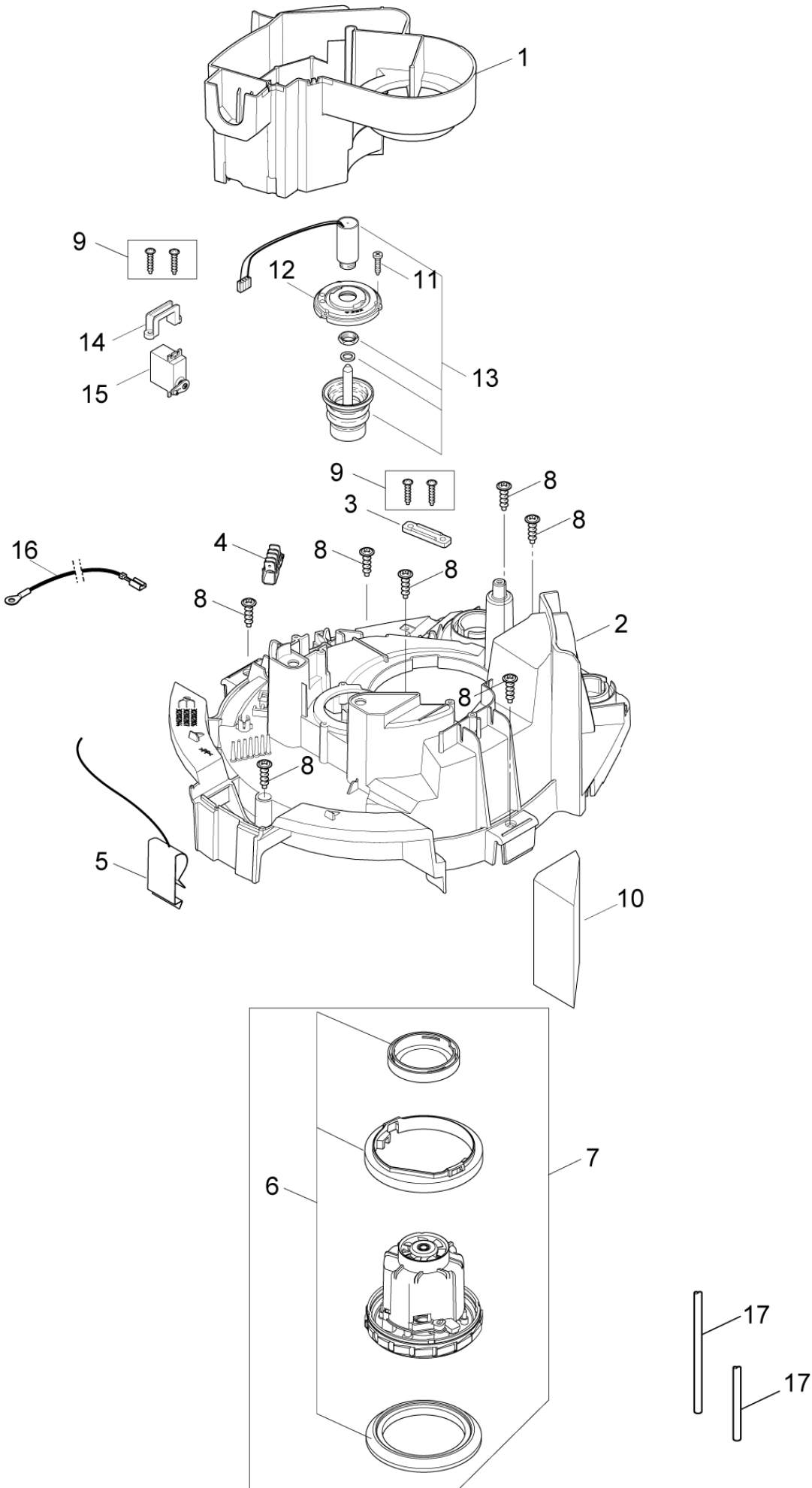
Drawing : ATTIX30I05 Motor Basic and Push Clean



IA	Pos. no.	Qty.	Item no.	Item Text
	1	1	302004015	AIRGUIDE
	10	1	302004045	SOUND INSULATION OUTLET
	2	1	302004009	CLAMPINGPLATE PC
	3	1	302004030	STRAP FOR CABLE
	4	1	302004031	DISTRIBUTION STRIP 6-POL 16A
	5	1	302004023	CONTACT SPRING
	6	1	302003385	SEALING KIT R
	7	1	107400130	TURBINE KIT 1000W 110-120V
	8	1	302004029	SCREW 5X18
	9	1	302004032	SCREW 3.5X18

Model : 36927 CAV 8 and CAV 12

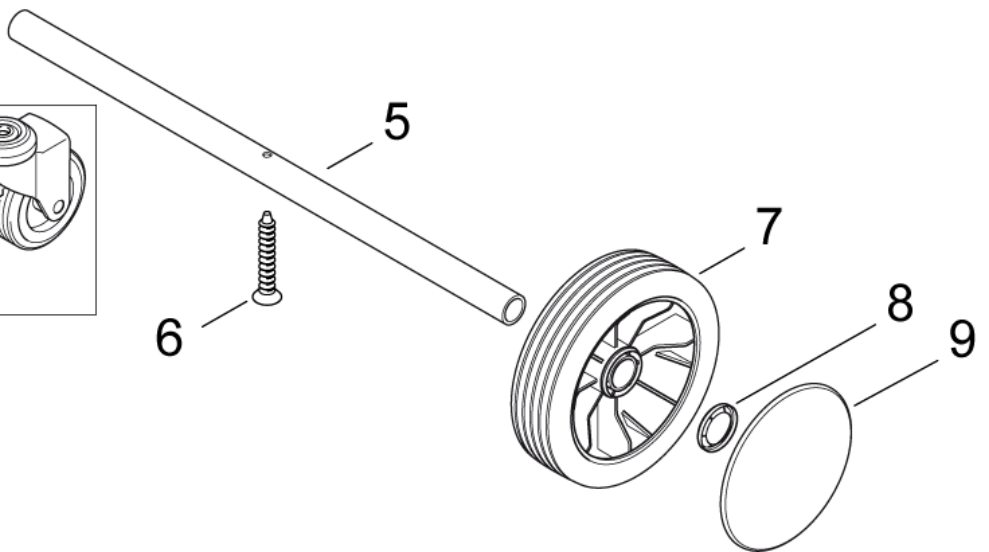
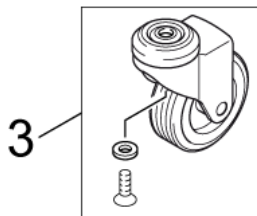
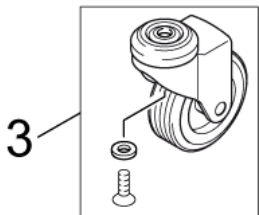
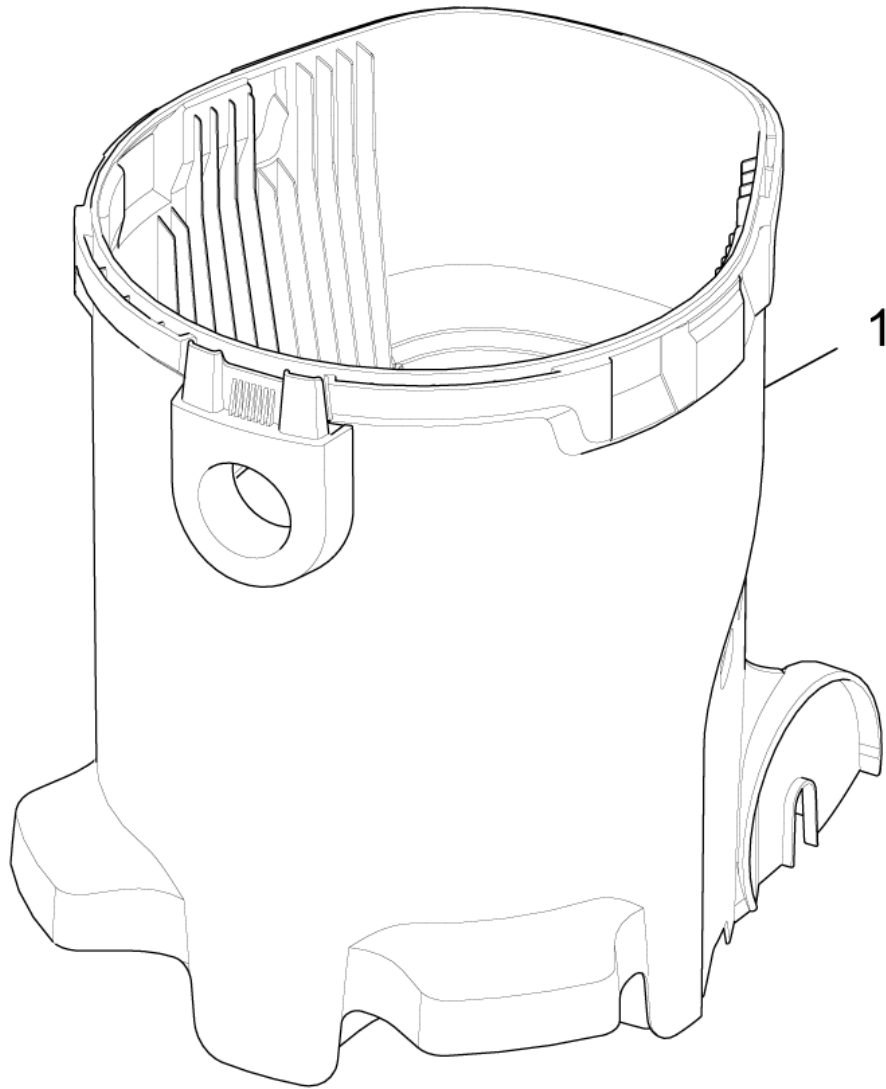
Drawing : ATTIX30I07 Motor XC



IA	Pos. no.	Qty.	Item no.	Item Text
	1	1	302004015	AIRGUIDE
	10	1	302004045	SOUND INSULATION OUTLET
	11	3	302003319	SCHRAUBEN ATTIX/IVB 9 SET-01
	12	1	107400288	MAGNET MOUNTING PLATE
	13	1	107400292	MAGNET 110V
	14	1	107400289	SERVO BRACKET
	15	1	107400290	SERVO FOR XC
	16	1	26289	
	17	2	107400293	HOSE D3X1.5 TURBINE SIDE XC
	2	1	107400287	CLAMPINGPLATE XC
	3	1	302004030	STRAP FOR CABLE
	4	1	302004031	DISTRIBUTION STRIP 6-POL 16A
	5	1	302004023	CONTACT SPRING
	6	1	302003385	SEALING KIT R
	7	1	107400130	TURBINE KIT 1000W 110-120V
	8	1	302004029	SCREW 5X18
	9	1	302004032	SCREW 3.5X18

Model : 36927 CAV 8 and CAV 12

Drawing : ATTIX5006 Container ATTIX 50



Model : 36927 CAV 8 and CAV 12

11-03-2009 11:44:31

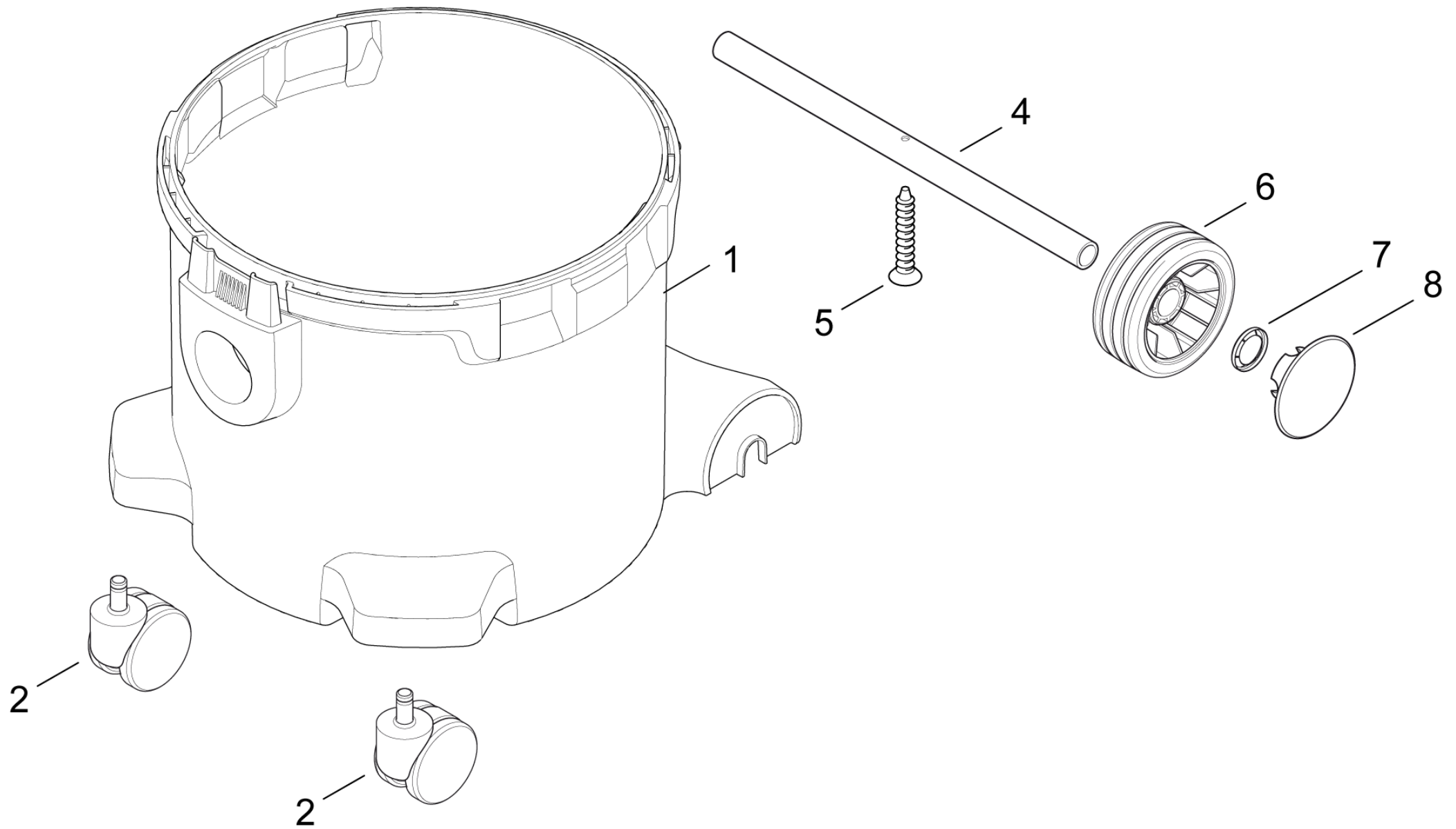
Partlist : CAV812006 Container ATTIX 50

Page : 1

IA	Pos. no.	Qty.	Item no.	Item Text
	1	1	107400507	
	3	2	302004059	FRONT WHEEL FOR CONTAINER
	5	1	302004022	WHEEL AXLE
	6	1	107400063	SCREW 5X35
	7	2	302000639	WHEEL Ø150X20, BLACK
	8	2	47302	CLAMPING RING Ø28,6/Ø20X
	9	2	302001322	HUB CAP

Model : 36927 CAV 8 and CAV 12

Drawing : ATTIX3008 Container ATTIX 30



Model : 36927 CAV 8 and CAV 12

11-03-2009 11:44:06

Partlist : CAV812008 Container ATTIX 30

Page : 1

IA	Pos. no.	Qty.	Item no.	Item Text
	1	1	107400506	
	2	2	46298	GUIDE ROLLER Ø 60
	4	1	302004022	WHEEL AXLE
	5	1	107400063	SCREW 5X35
	6	2	302000465	WHEEL Ø100X20
	7	2	47302	CLAMPING RING Ø28,6/Ø20X
	8	2	107400116	