



Electronic Service Manuals

This electronic document is provided as a service to our customers. We do not create the contents of the information contained in this document. Should you have detailed questions pertaining to the information contained in this document, you may contact Michco, or the manufacturer which provided the original information in this electronic deliverable. Michco's only part in this electronic deliverable was the electronic assembly process. By providing this manual on line we are not guaranteeing parts availability.

You may contact Michco through the following methods:

Phone (517) 484-9312 or (800) 331-3339

2011 N. High St. -- Lansing, Michigan -- 48906

Fax: (517) 484-9836

Email: CustServe@Michco.com

Web site: www.Michco.Com

Parts Web site: www.FloorMachineParts.Com

Order Parts on Line at:

www.FloorMachineParts.Com

Directly to Parts & Service:

By Email: **Shop@Michco.com**

By Fax: (517) 702-2041

By Voice: Use numbers above.

Serving the Cleaning Industry Since 1922

Notice: All copyrighted material remains property of original owners, all trademarks are property of respective owners. Manuals are subject to Manufacturer's reproduction limitations. Originals or reproductions were provided by manufacturers through a request. We make no warranty as to the correctness of information provided in this document and you assume all risk. By placing these manuals on line we are not declaring our corporation to be an manufacturer authorized dealer or provider, please check our web site for authorized manufacturers we represent.

ATTIX 50 PC and XC

Model:
ATTIX 50-01 PC
ATTIX 50-21 XC
ATTIX 50-21-PC



Part List US-English

06-03-2009

Nilfisk
ALTO
Why Compromise

www.nilfisk-alto.com

Table of Contents

ATTIX 50 PC and XC

Cabinet Push Clean & Basic & XC	3
Filtersystem Push Clean & Basic	6
Filtersystem XC	8
Motor Basic and Push Clean	10
Motor XC	12
Motor EC and Clean Room	14
Container ATTIX 50	16

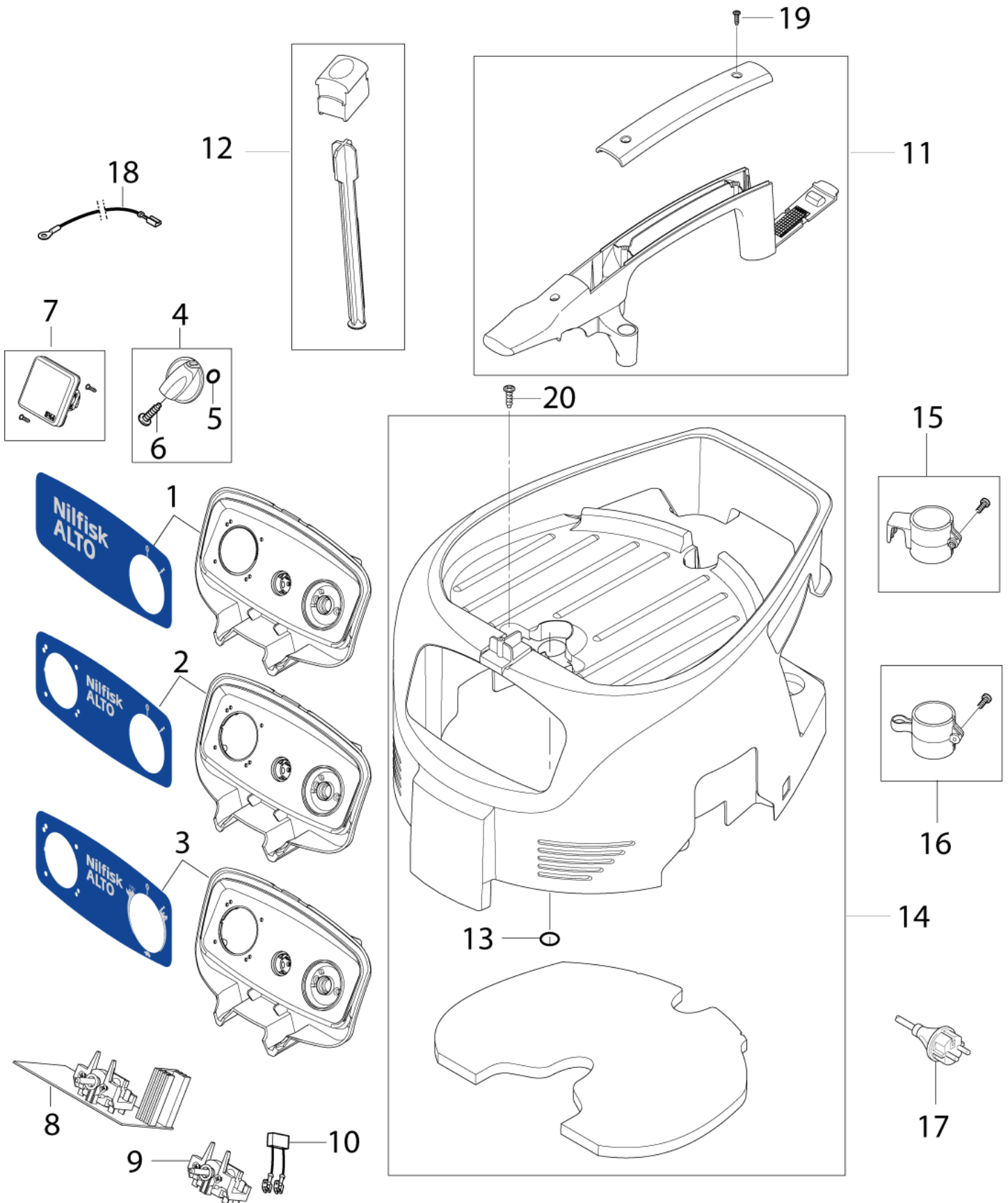
Cabinet Push Clean & Basic & XC

ATTIX 50 PC and XC

06-03-2009

Part List ID
ATTIX3002

3



Cabinet Push Clean & Basic & XC

ATTIX 50 PC and XC

06-03-2009

Part List ID
ATTIX3002

4

Pos	Part no.	Qty	Description		EAN
0	302003502	1	BOX KIT ATTIX 30	ONLY FOR ATTIX 3	4005337140
1	302004047	1	SWITCHBOX NILFISK-ALTO 01PC		4005337148
2	302004048	1	SWITCHBOX NILFISK-ALTO 11PC		4005337148
3	302004049	1	SWITCHBOX NILFISK-ALTO 21PC	for Push clean and XC	4005337148
4	909100204	1	ROTARY KNOB 6X5 BLUE		4005337689
5	9868	1	O RING DIA 10X2,5		4005337098
6	32526	1	SHEET METAL SCREW		4005337325
7	107400057	1	SOCKET 16A/110V GB		4005337148
7	107400058	1	SOCKET 16A/250V GB		4005337148
7	107400059	1	SOCKET 16A/250V CH		4005337148
7	107400060	1	SOCKET 16A/250V DK		4005337148
7	302000149	1	OUTLET BOX 2-P.+PE 15A/125V -US/CSA		4005337008
7	302004034	1	SOCKET 16A/250V EU		4005337147
7	302004036	1	SOCKET 16A/250V FR		4005337147
8	107400260	1	AUTO ON-OFF PCB 230-240V	230-240V	4005337152
8	107400261	1	AUTO ON-OFF PCB XC 100-120V	100-120V	4005337152
8	302004011	1	AUTO ON-OFF SWITCH ELECTRONIC	for -21 PC	4005337147
8	302004060	1	AUTO ON-OFF SWITCH E.SOFTSTART	for -11 PC & -01 PC with softstart	4005337148
9	302004035	1	ON-OFF SWITCH	for -01 PC without softstart	4005337147
10	48338	1	ANTI-INTERFERENCE CAPACITOR		4005337483
11	107400062	1	HANDLE FOR PUSH CLEAN	for Push clean	4005337148
11	302004050	1	HANDLE	Basic/XC	4005337148
12	302004051	1	FILTER DEDUSTER	Only Push Clean models	4005337148
13	302004061	1	O-RING 25X2 NBR 70		4005337148
14	107400061	1	COVER BLACK XC BASIC		4005337148
14	302004046	1	COVER BLACK PC		4005337148
15	302004027	1	TUBE HOLDER HOOK		4005337147
16	107400064	1	TUBE HOLDER SNAP		4005337148
17	107400265	1	CORD H05RR-F 3G1.5 DK		4005337153
17	107400266	1	CORD H05RR-F 2X0.75 CH		4005337153
17	107400267	1	CORD H05RR-F 3G1.0 CH		4005337153
17	107400268	1	CORD H05RR-F 2X0.75 GB		4005337153
17	107400270	1	CORD H05RR-F 3G1.5 BS1 363 GB		4005337153
17	107400271	1	CORD H07BQ-F 3G2.5 GB		4005337153
17	107400272	1	CORD H05RR-F 3G1.5 ZA		4005337153
17	107400273	1	CORD H05RR-F 2X0.75 EU		4005337153
17	302000882	1	POWER CORD SJTW-AWG16/3X8		4005337030
17	302004014	1	CORD H07RN-F2X1X8.05 CEE7 EU		4005337147
17	302004037	1	CORD H05RR-F 3G1.5 CEE7/VI EU		4005337147
17	302004038	1	POWER CORD H07RN-F2X1X8.05		4005337147
17	302004039	1	CORD H05RR-F3GX0.75AS3112 A UNZ		4005337147
17	302004040	1	CORD SJTW-A AWG16/2 JP		4005337148

Cabinet Push Clean & Basic & XC

ATTIX 50 PC and XC

06-03-2009

Part List ID
ATTIX3002

5

Pos	Part no.	Qty	Description	EAN
18	107400263	1	WIRE 2.5 X 250 YE/GR 100-120V	4005337153
18	107400264	1	WIRE 1 X 150 220-240V	4005337153
19	302004032	1	SCREW 3.5X18	4005337147
20	302004029	1	SCREW 5X18	4005337147

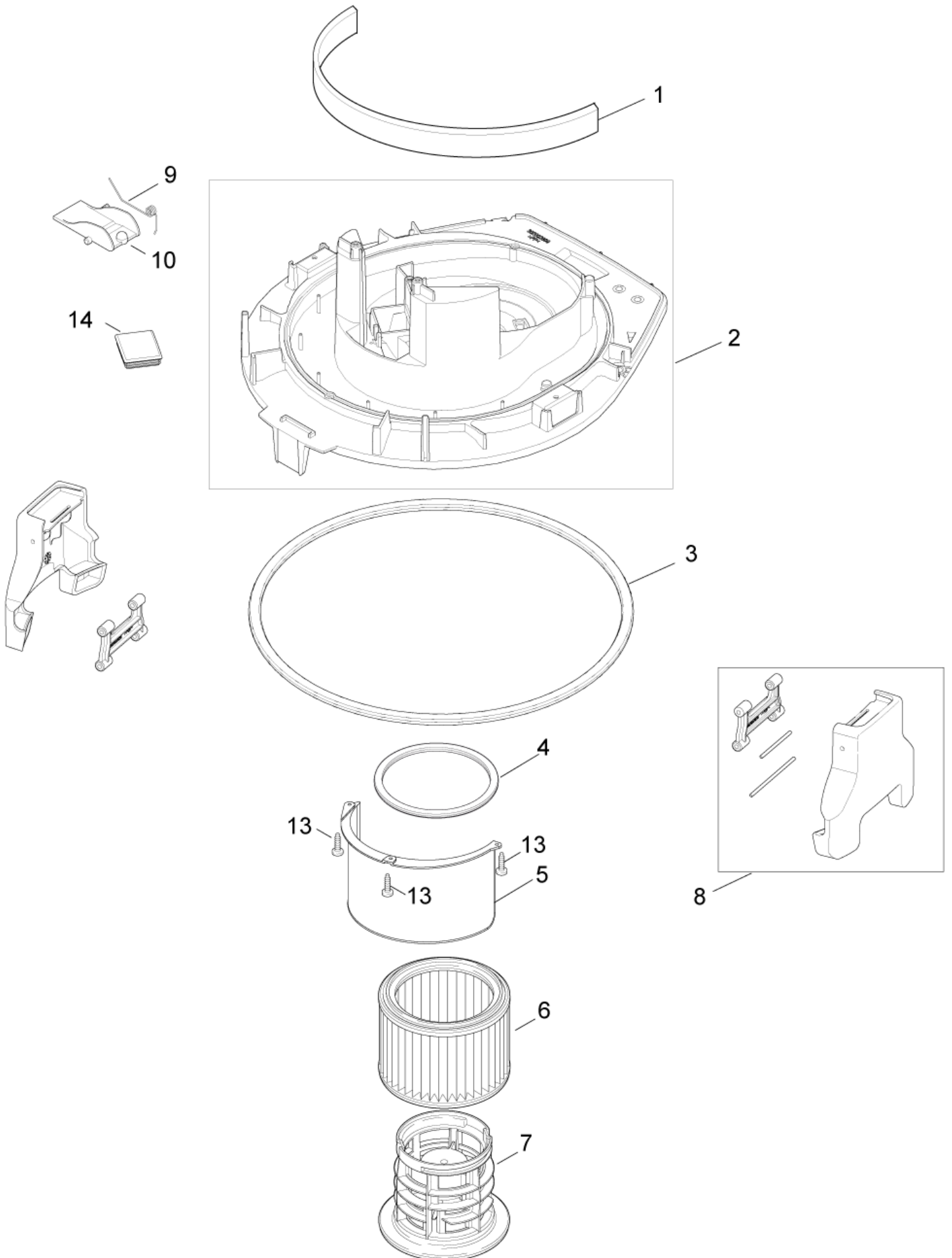
Filtersystem Push Clean & Basic

ATTIX 50 PC and XC

06-03-2009

Part List ID
ATTIX3003

6



Filtersystem Push Clean & Basic

ATTIX 50 PC and XC

06-03-2009

Part List ID
ATTIX3003

7

Pos	Part no.	Qty	Description	EAN
1	302004010	1	SOUND INSULATION FRONT	4005337147
2	302004007	1	BASEPLATE PC	4005337147
3	302004008	1	GASKET FOR CONTAINER	4005337147
4	302000460	1	GASKET FILTER	4005337136
5	302004016	1	DEFLECTOR	4005337147
6	302000490	1	FILTER ELEMENT LD185X19	4005337682
6	302001095	1	FILTER ELEMENT 185X140 HEPA	4005337035
7	302000472	1	FILTER SUPPORT CAGE ATTIX PP	4005337682
8	302004005	2	CONTAINER CLAMP	4005337147
9	909100083	1	TORSION SPRING D0.9X18X45 INOX	4005337679
10	302000344	1	FLAP 79X53X25 ATTIX 3	4005337674
13	302004029	1	SCREW 5X18	4005337147
14	302004058	1	PLUG FOR BASIC	4005337148

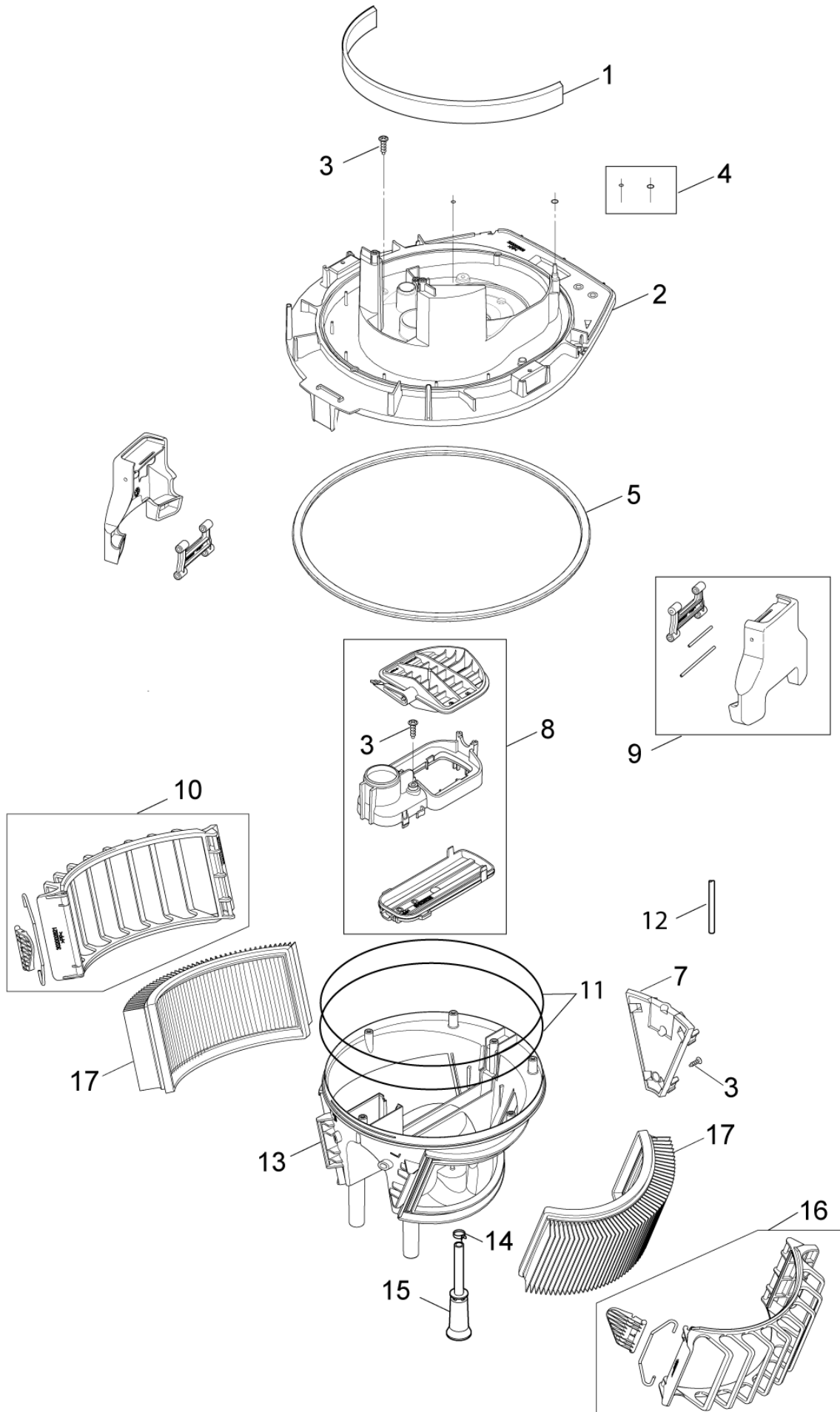
Filtersystem XC

ATTIX 50 PC and XC

06-03-2009

Part List ID
ATTIX3004

8



Filtersystem XC

ATTIX 50 PC and XC

06-03-2009

Part List ID
ATTIX3004

9

Pos	Part no.	Qty	Description	EAN
1	302004010	1	SOUND INSULATION FRONT	4005337147
2	107400275	1	BASEPLATE XC	4005337153
3	302004029	9	SCREW 5X18	4005337147
4	107400274	1	O-RING XC KIT	4005337153
5	302004008	1	GASKET FOR CONTAINER	4005337147
6	107400276	1	SERVO WIRE XC	4005337153
7	107400278	1	FILTERBRACKET PLATE XC	4005337153
8	107400277	1	CX FLAP KIT	4005337153
9	302004005	2	CONTAINER CLAMP	4005337147
10	107400281	1	FILTERCASING FLAT FILTER R	4005337153
11	107400283	1	SEALING FOR XC	4005337153
12	107400280	1	HOSE D3X1.5 FILTER SIDE XC	4005337153
13	107400279	1	FILTERBRACKET XC	4005337153
14	107400285	1	BAND CLAMP FITTING	4005337153
15	107400284	1	HOSE D42X155 FILL LEV. SHUTOFF	4005337153
16	107400282	1	FILTERCASING FLAT FILTER L	4005337153
17	302002842	1	FLAT FILTER SET 2 PCS	5715492039

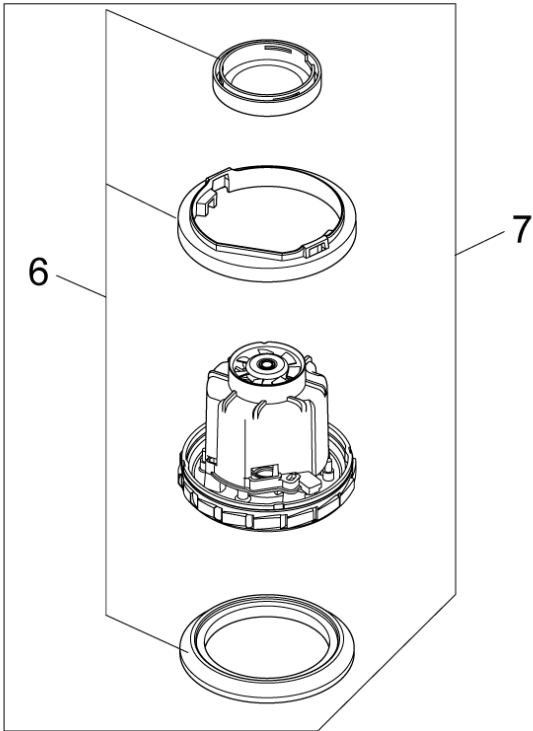
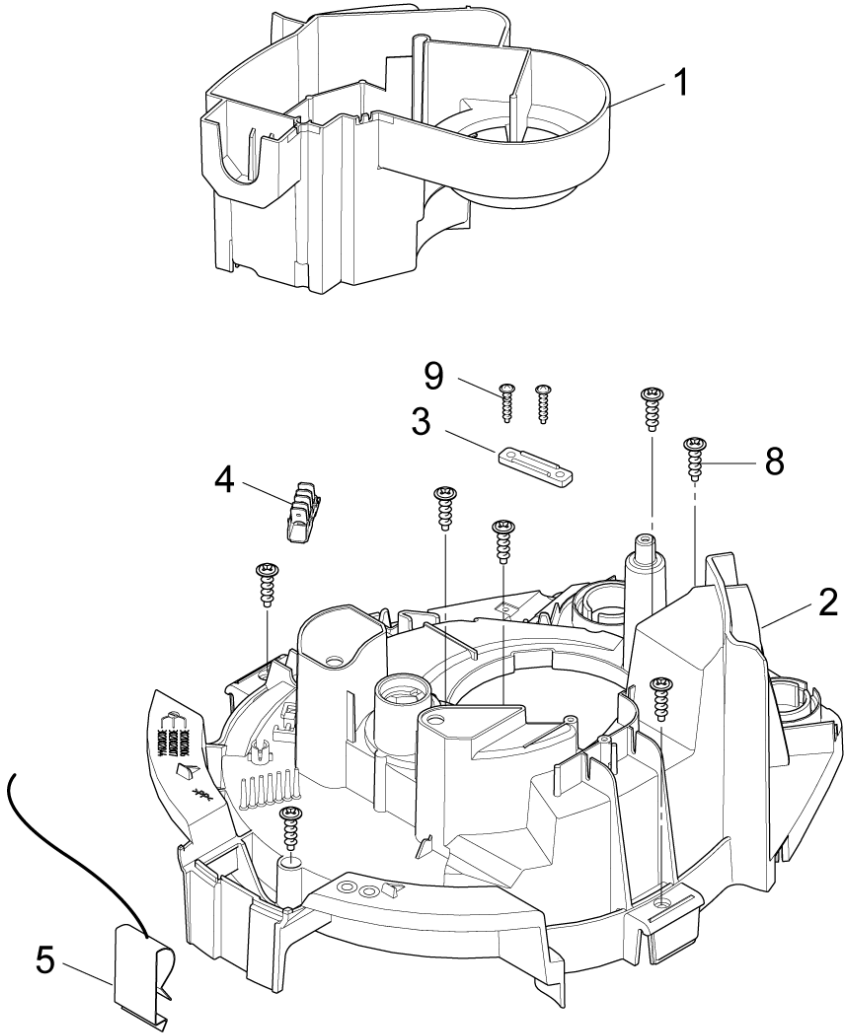
Motor Basic and Push Clean

ATTIX 50 PC and XC

06-03-2009

Part List ID
ATTIX3005

10



Motor Basic and Push Clean

ATTIX 50 PC and XC

06-03-2009

Part List ID
ATTIX3005

11

Pos	Part no.	Qty	Description	EAN
1	302004015	1	AIRGUIDE	4005337147
2	302004009	1	CLAMPINGPLATE PC	4005337147
3	302004030	1	STRAP FOR CABLE	4005337147
4	302004031	1	DISTRIBUTION STRIP 6-POL 16A	4005337147
5	302004023	1	CONTACT SPRING	4005337147
6	302003385	1	SEALING KIT R	4005337136
7	302003384	1	TURBINE KIT 1200 230	4005337136
7	302004006	1	MOTOR 1200W/100V JP W.GASKET	4005337147
8	302004029	1	SCREW 5X18	4005337147
9	302004032	1	SCREW 3.5X18	4005337147
10	302004045	1	SOUND INSULATION OUTLET	4005337148

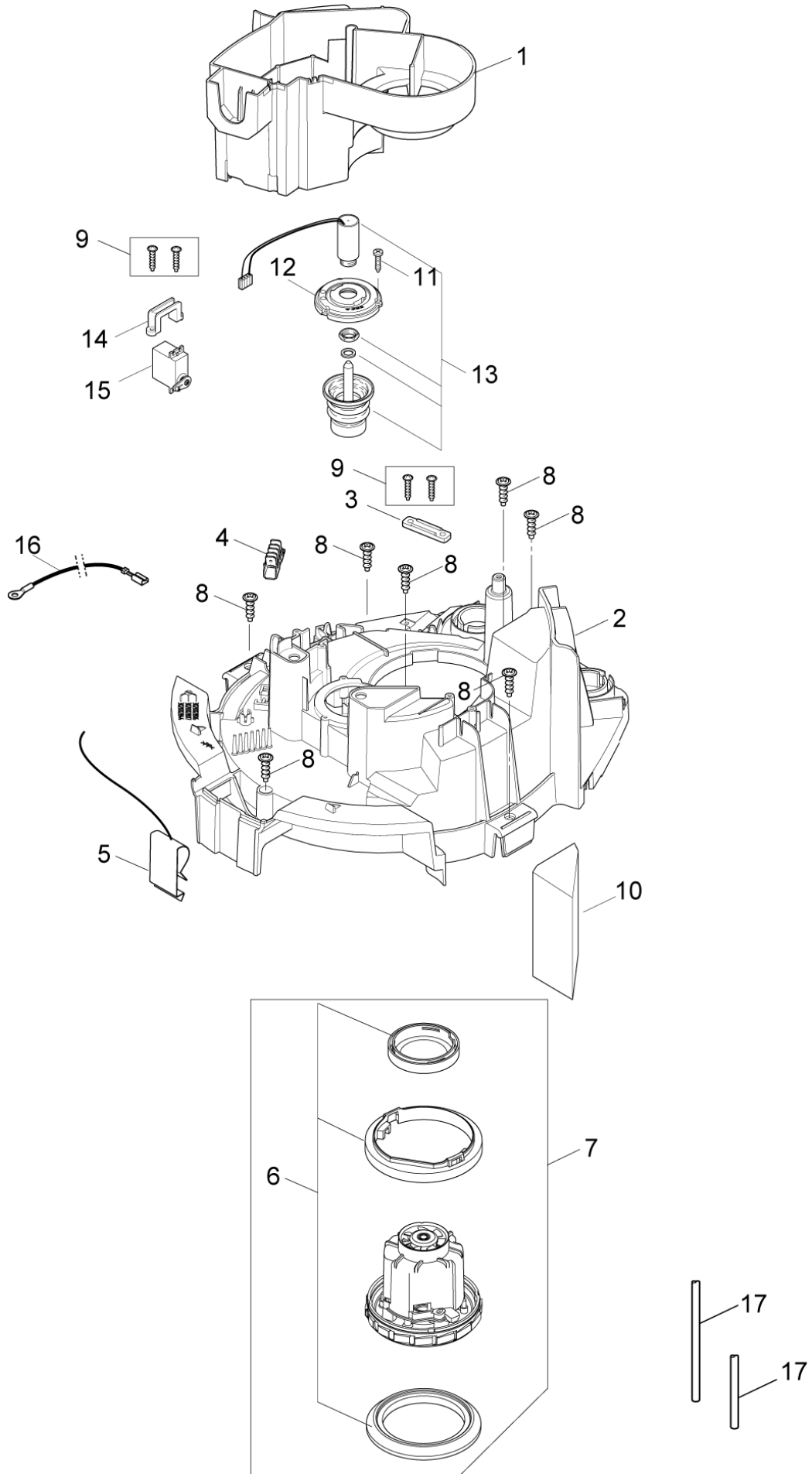
Motor XC

ATTIX 50 PC and XC

06-03-2009

Part List ID
ATTIX3007

12



Motor XC

ATTIX 50 PC and XC

06-03-2009

Part List ID
ATTIX3007

13

Pos	Part no.	Qty	Description	EAN
1	302004015	1	AIRGUIDE	4005337147
2	107400287	1	CLAMPINGPLATE XC	4005337153
3	302004030	1	STRAP FOR CABLE	4005337147
4	302004031	1	DISTRIBUTION STRIP 6-POL 16A	4005337147
5	302004023	1	CONTACT SPRING	4005337147
6	302003385	1	SEALING KIT R	4005337136
7	302003384	1	TURBINE KIT 1200 230	4005337136
7	302004006	1	MOTOR 1200W/100V JP W.GASKET	4005337147
8	302004029	1	SCREW 5X18	4005337147
9	302004032	1	SCREW 3.5X18	4005337147
10	302004045	1	SOUND INSULATION OUTLET	4005337148
11	302003319	3	SCHRAUBEN ATTIX/IVB 9 SET-01	4005337140
12	107400288	1	MAGNET MOUNTING PLATE	4005337153
13	107400291	1	MAGNET 230V	4005337153
13	107400292	1	MAGNET 110V	4005337153
14	107400289	1	SERVO BRACKET	4005337153
15	107400290	1	SERVO FOR XC	4005337153
16	107400262	1	WIRE 1X200 YELLOW/GREEN	4005337153
17	107400293	2	HOSE D3X1.5 TURBINE SIDE XC	4005337153

Motor EC and Clean Room

ATTIX 50 PC and XC

06-03-2009

Part List ID
ATTIX5008

14

No Drawing For Part List

Motor EC and Clean Room

ATTIX 50 PC and XC

06-03-2009

Part List ID
ATTIX5008

15

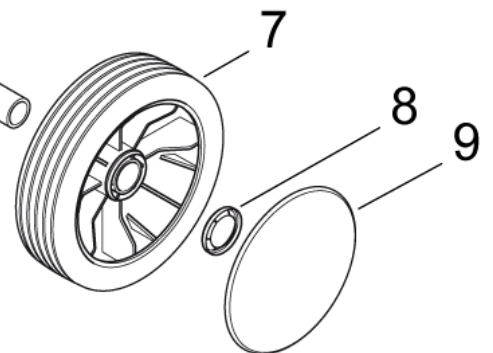
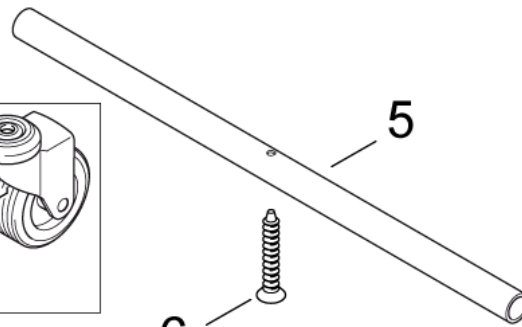
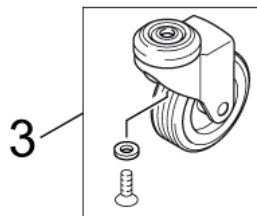
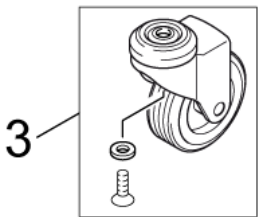
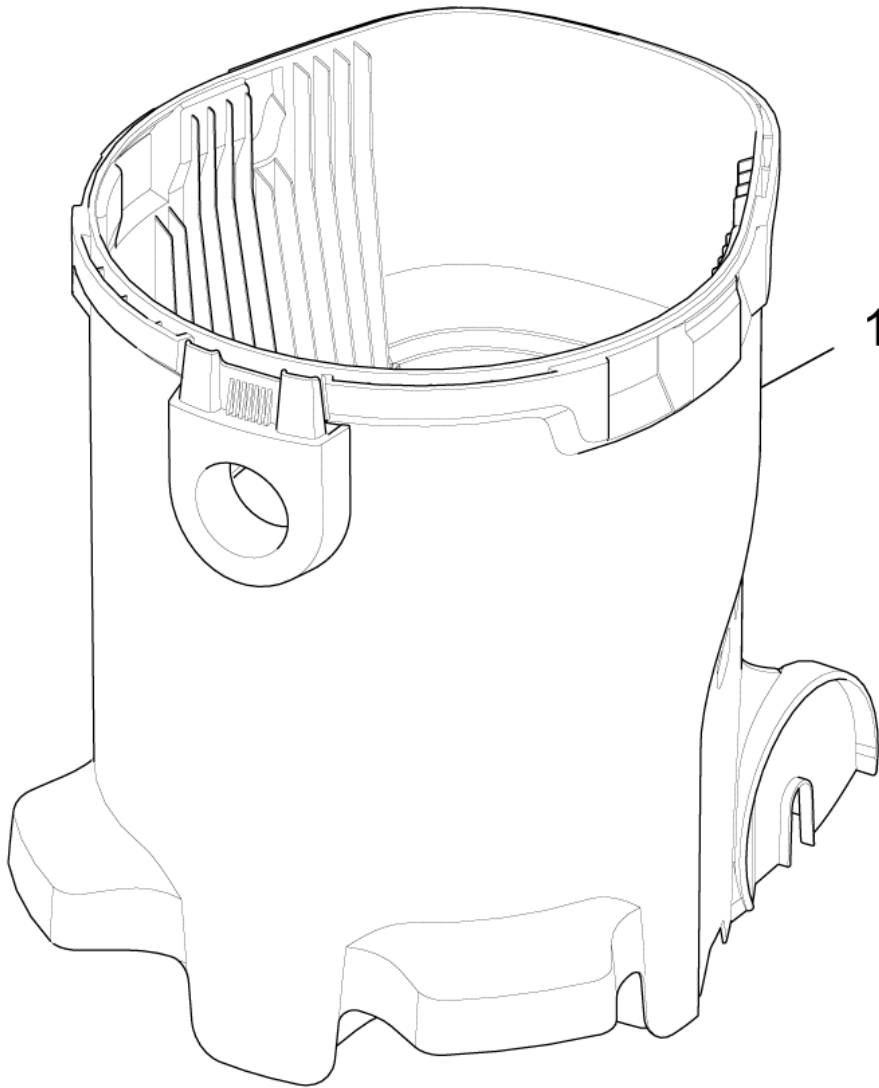
Container ATTIX 50

ATTIX 50 PC and XC

06-03-2009

Part List ID
ATTIX5006

16



Container ATTIX 50

ATTIX 50 PC and XC

06-03-2009

Part List ID
ATTIX5006

17

Pos	Part no.	Qty	Description	EAN
1	302004054	1	CONTAINER WITH FITTING ATTIX50	4005337148
3	302004059	2	FRONT WHEEL FOR CONTAINER	4005337148
5	302004022	1	WHEEL AXLE	4005337147
6	107400063	1	SCREW 5X35	4005337148
7	302000639	2	WHEEL Ø150X20, BLACK	4005337687
8	47302	2	CLAMPING RING Ø28,6/Ø20X	4005337473
9	302000701	2	HUB CAP Ø115	4005337690