



## Electronic Service Manuals

This electronic document is provided as a service to our customers. We do not create the contents of the information contained in this document. Should you have detailed questions pertaining to the information contained in this document, you may contact Michco, or the manufacturer which provided the original information in this electronic deliverable. Michco's only part in this electronic deliverable was the electronic assembly process. By providing this manual on line we are not guaranteeing parts availability.

You may contact Michco through the following methods:

Phone (517) 484-9312 or (800) 331-3339

2011 N. High St. -- Lansing, Michigan -- 48906

Fax: (517) 484-9836

Email: [CustServe@Michco.com](mailto:CustServe@Michco.com)

Web site: [www.Michco.Com](http://www.Michco.Com)

Parts Web site: [www.FloorMachineParts.Com](http://www.FloorMachineParts.Com)

Order Parts on Line at:

**[www.FloorMachineParts.Com](http://www.FloorMachineParts.Com)**

Directly to Parts & Service:

By Email: **[Shop@Michco.com](mailto:Shop@Michco.com)**

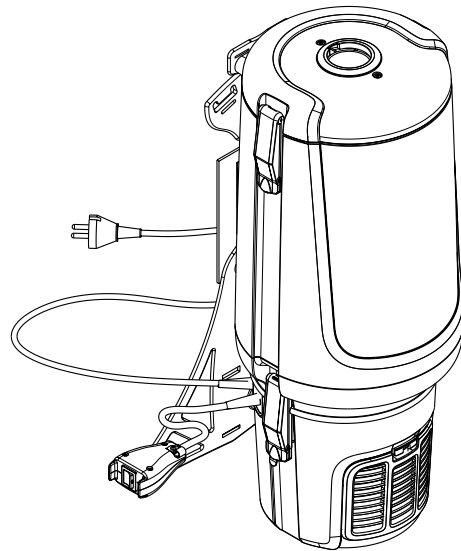
By Fax: (517) 702-2041

By Voice: Use numbers above.

**Serving the Cleaning Industry Since 1922**

Notice: All copyrighted material remains property of original owners, all trademarks are property of respective owners. Manuals are subject to Manufacturer's reproduction limitations. Originals or reproductions were provided by manufacturers through a request. We make no warranty as to the correctness of information provided in this document and you assume all risk. By placing these manuals on line we are not declaring our corporation to be an manufacturer authorized dealer or provider, please check our web site for authorized manufacturers we represent.

08-03	CAV 2.2	<b>823 0101 030</b>		
<b>TABLE OF CONTENTS SERVICE KIT / SPARE PARTS</b>				<b>1</b>



<b>DESCRIPTION</b>	<b>PLAN</b>
Motor and motor parts	2
Electrical parts	4
Container parts	6
Straps	8
Filters	10
Tube 1.5 Inch, 38 mm and Tools	12
Wiring diagram	14
Service information	15

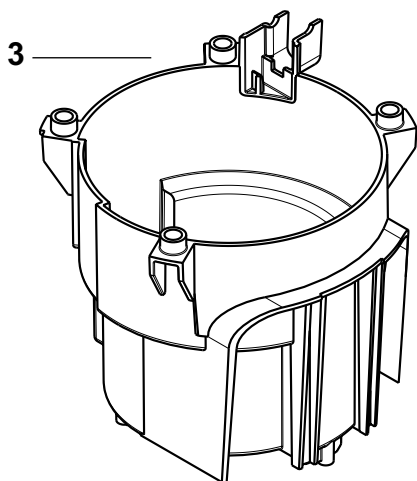
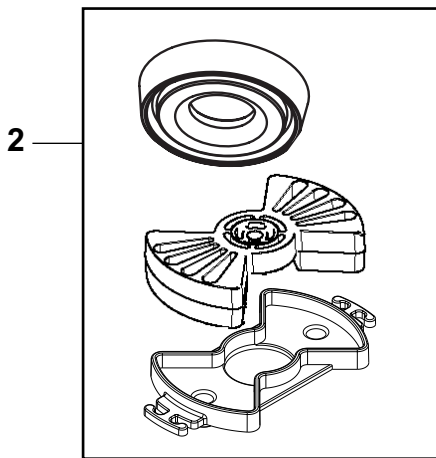
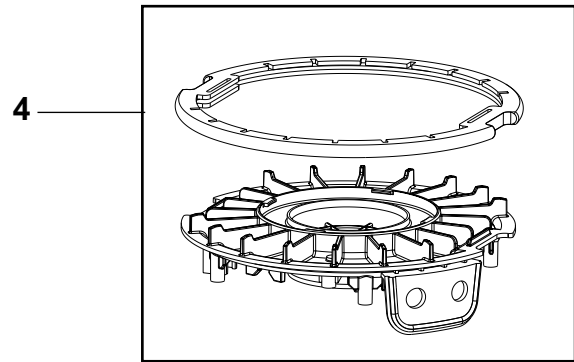
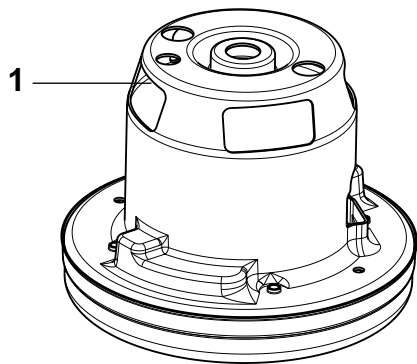
**WHEN ORDERING PARTS**

- \* Use the digit numbers from the "Part No." columns in this spare parts list.
- \* Specify the model and serial number of the machine.
- \* Use the space below to record the model and serial number for future reference.

Model \_\_\_\_\_ Serial no. \_\_\_\_\_

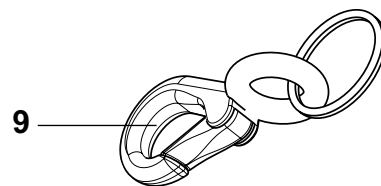
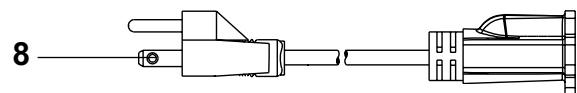
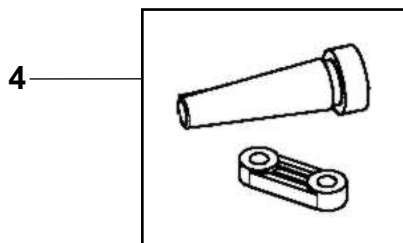
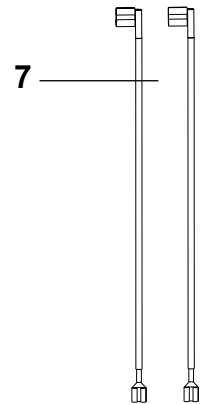
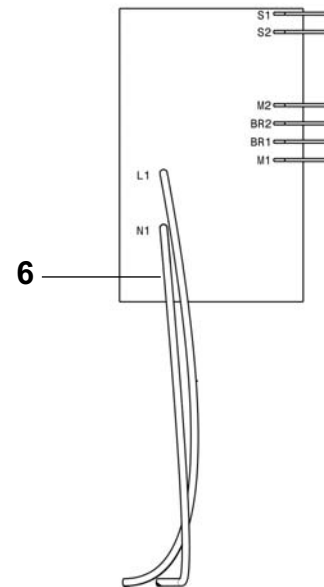
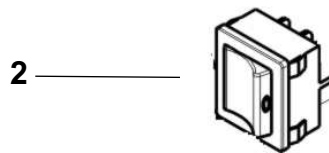
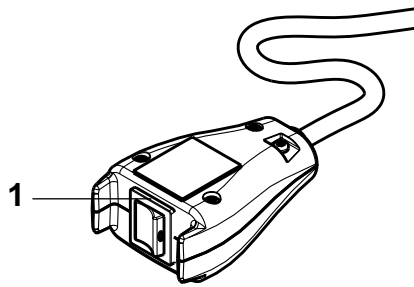
**Clarke®**  
**Clarke American Sanders**  
**A.L. Cook**  
**Customer Service Headquarters and Factory**  
 2100 Highway 265  
 Springdale, Arkansas 72764  
 (479) 750-1000

**Technical Service**  
 1-800-356-7274



<b>08-03</b>	<b>CAV 2.2</b>	<b>823 0101 030</b>		
	<b>MOTOR AND MOTOR PARTS</b>			<b>3</b>

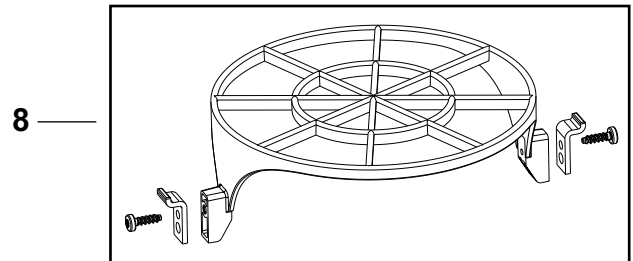
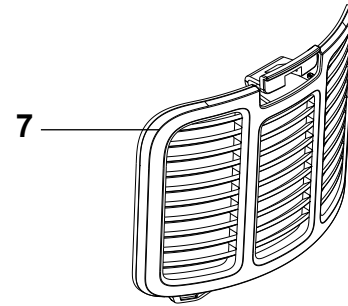
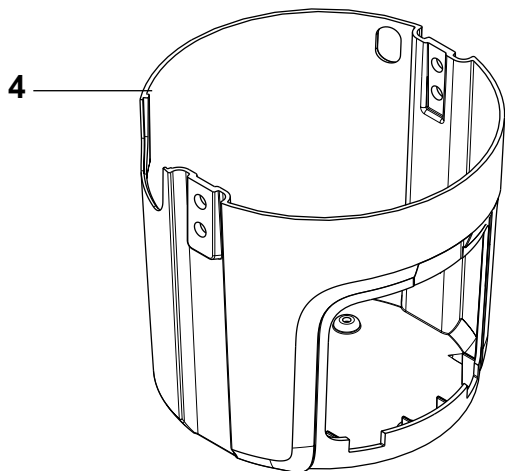
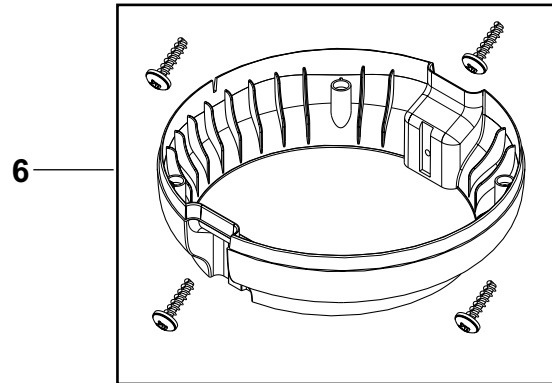
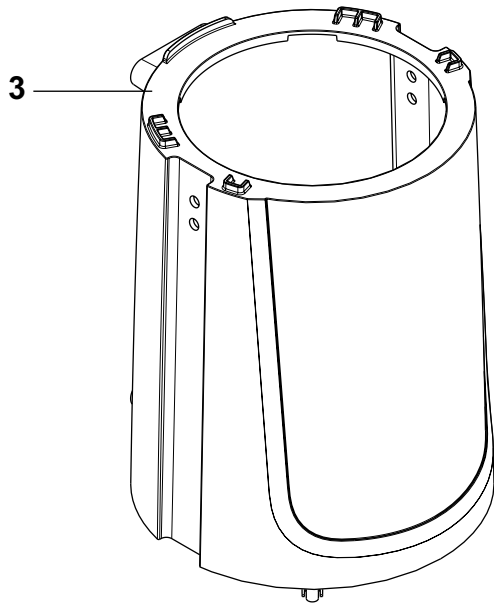
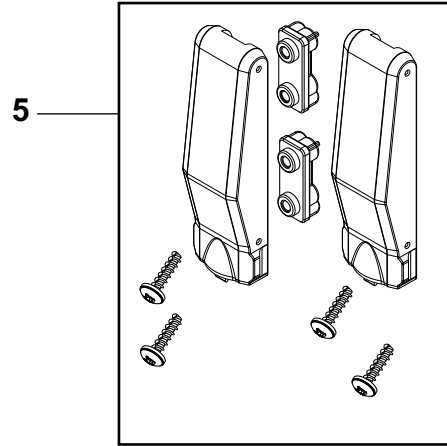
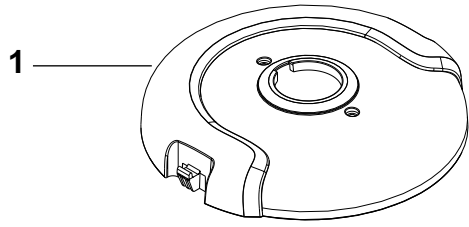
<b>Item</b>	<b>Part No.</b>	<b>Qty.</b>	<b>Description</b>	<b>Note</b>
1	147 1109 500	1	Fan unit 100 -120V, 1300W	
2	147 1111 500	1	Motor suspension kit	
3	147 1088 510	1	Motor cover, UL-approved	
4	147 1086 510	1	Chassis, UL-approved	



<b>08-03</b>	<b>CAV 2.2</b>	<b>823 0101 030</b>		
	<b>ELECTRICAL PARTS</b>			<b>5</b>

<b>Item</b>	<b>Part No.</b>	<b>Qty.</b>	<b>Description</b>	<b>Note</b>
1	147 1105 500	1	Switch cpl.	
2	140 5496 510	1	Switch	
4	140 7035 510	1	Sleeve kit	Anti strain clip incl.
5	140 3859 500	1	Cord set US/TW plug, machine end	1.3 ft (400 mm)
6	147 1231 520	1	Curcuit board 100-120V	
7	140 7042 520	1	Internal wire kit	2 Wires incl.
8	147 1243 500	1	Cord extension	50 ft (15.5 m) Colour: Yellow. 16 AWG
9	147 1346 500	1	Anti strain snap hook	

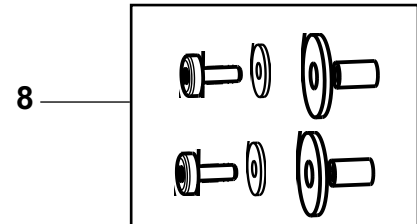
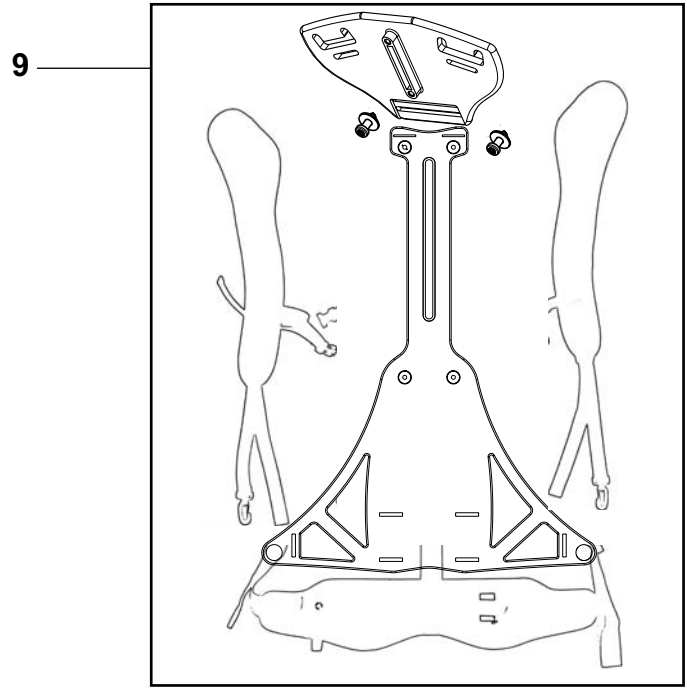
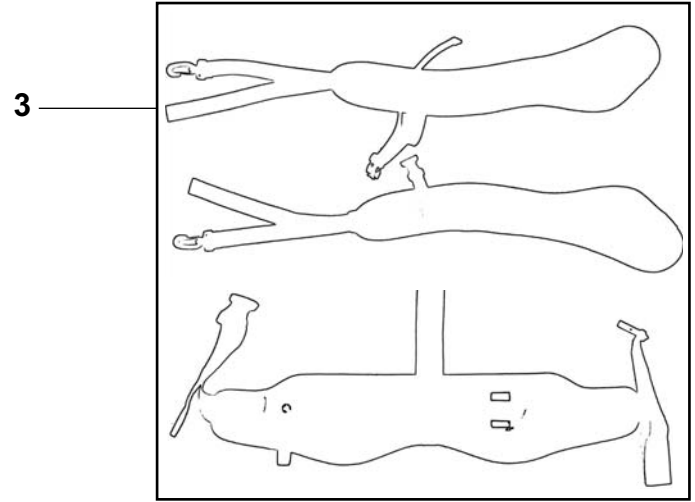
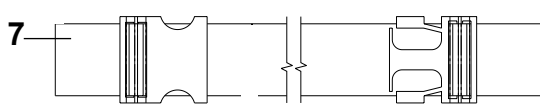
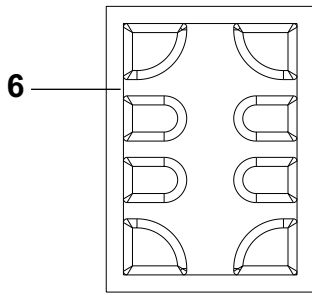
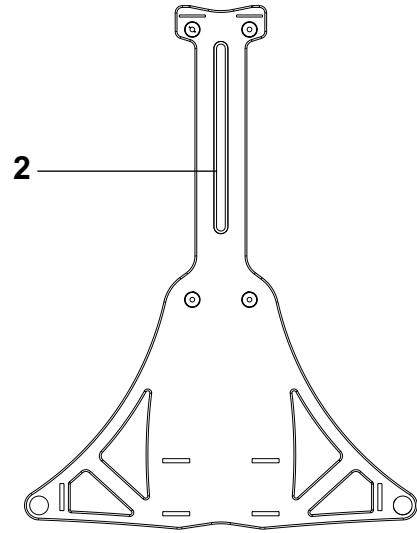
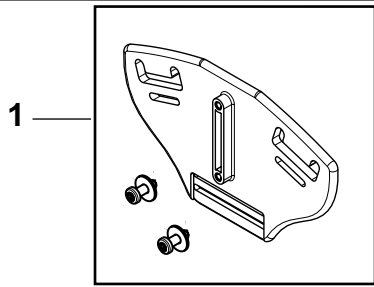
CONTAINER PARTS



<b>08-03</b>	<b>CAV 2.2</b>	<b>823 0101 030</b>		
	<b>CONTAINER PARTS</b>			<b>7</b>

<b>Item</b>	<b>Part No.</b>	<b>Qty.</b>	<b>Description</b>	<b>Note</b>
1	147 1080 500	1	Outer lid	Grey
3	147 1079 510	1	Container	Grey
4	147 1075 520	1	Cover outer	
5	147 1101 500	1	Latch kit	2 latches, screws and screw towers.
6	147 1078 500	1	Adapter	Screws incl.
7	147 1082 500	1	Grid exhaust	
8	147 1115 500	1	Basket sack filter	Hooks and screws incl.

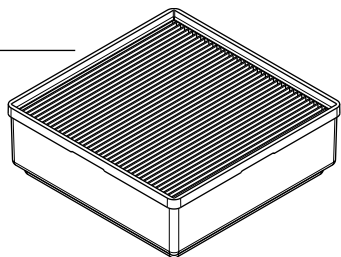
STRAPS PARTS



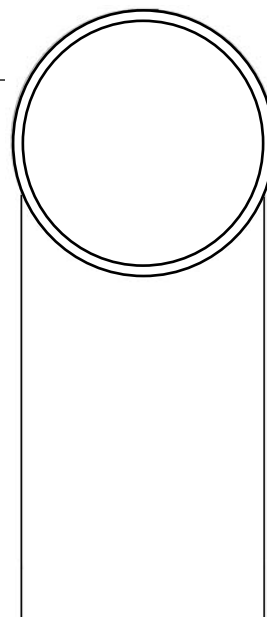
<b>08-03</b>	<b>CAV 2.2</b>	<b>823 0101 030</b>		
	<b>STRAPS PARTS</b>			<b>9</b>

<b>Item</b>	<b>Part No.</b>	<b>Qty.</b>	<b>Description</b>	<b>Note</b>
1	147 1092 500	1	Adjusting plate	
2	147 1091 500	1	Harness support	
3	147 1246 500	1	Harness premium	Screws and washers incl.
5	147 1247 500	1	Lifting strap	
6	147 1248 500	1	Padding, back plate	
7	147 1249 500	1	Extension belt	L=400 mm
8	147 1246 600	1	Screw kit	For harness premium
9	147 1246 510	1	Harness premium cpl.	W. adjusting plate and support.

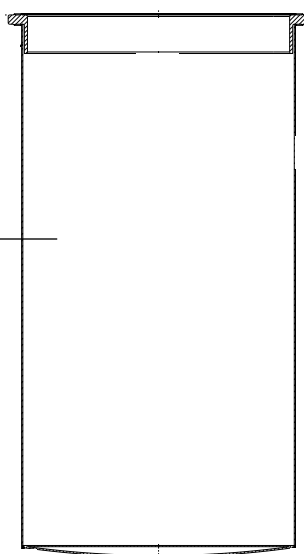
1



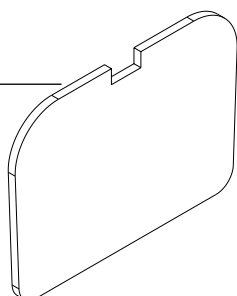
4



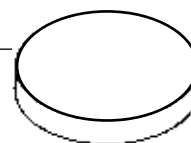
2



3



5



<b>08-03</b>	<b>CAV 2.2</b>	<b>823 0101 030</b>		
	<b>FILTERS</b>			<b>11</b>

<b>Item</b>	<b>Part No.</b>	<b>Qty.</b>	<b>Description</b>	<b>Note</b>
1	147 1104 500	1	HEPA-filter cpl.	
2	147 1099 500	1	Sack filter	
3	147 1089 500	1	Exhaust filter	3 pcs.
4	147 1097 500	1	Dustbag (2.6 Gallon, 10 L)	5 pcs.
5	147 1095 500	1	Prefilter	3 pcs.

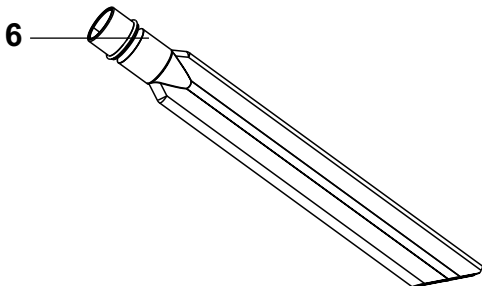
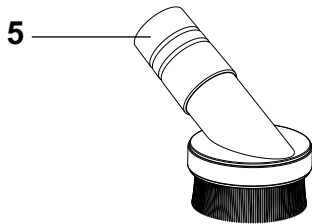
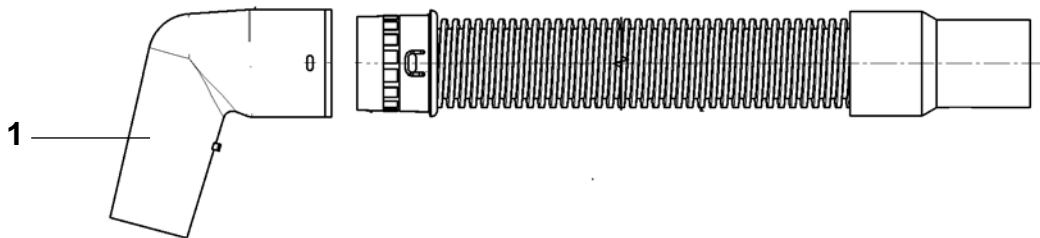
823 0101 030

CAV 2.2

08-03

12

HOSE Ø 1.5 Inch, 38 mm and Tools

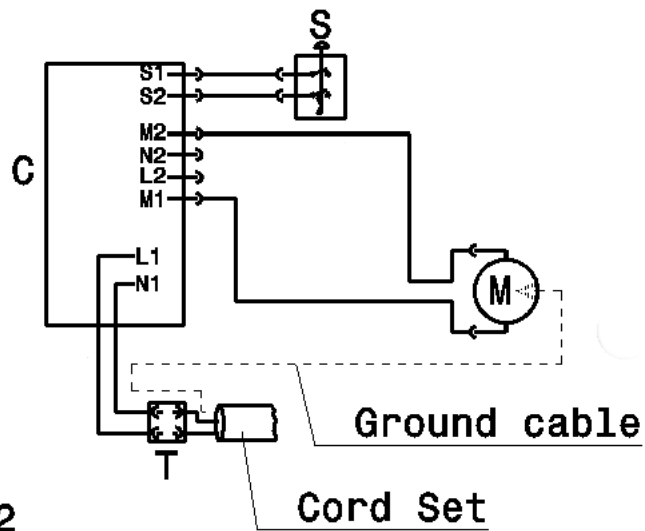


08-03	CAV 2.2	<b>823 0101 030</b>		
	<b>HOSE Ø 1.5 Inch, 38 mm and Tools</b>			<b>13</b>

Item	Part No.	Qty.	Description	Note
1	147 1237 510	1	Hose cpl. 64 in. (1650 mm)	
2	147 1385 500	1	Dust tool.	
3	147 1386 500	1	Crevice tool.	



- M Fan Unit
- S Switch
- T Terminal Block
- B Power Outlet
- C Circuit Board S2



08-03	CAV 2.2	<b>823 0101 030</b>		
	Service information			15

---

**Clarke®**  
**Clarke American Sanders**  
**A.L. Cook**  
**Customer Service Headquarters and Factory**  
 2100 Highway 265  
 Springdale, Arkansas 72764  
 (479) 750-1000  
  
**Technical Service**  
 1-800-356-7274

<b>823 0101 030</b>		<b>CAV 2.2</b>	<b>08-03</b>
<b>16</b>			

--	--	--	--