



## Electronic Service Manuals

This electronic document is provided as a service to our customers. We do not create the contents of the information contained in this document. Should you have detailed questions pertaining to the information contained in this document, you may contact Michco, or the manufacturer which provided the original information in this electronic deliverable. Michco's only part in this electronic deliverable was the electronic assembly process. By providing this manual on line we are not guaranteeing parts availability.

You may contact Michco through the following methods:

Phone (517) 484-9312 or (800) 331-3339

2011 N. High St. -- Lansing, Michigan -- 48906

Fax: (517) 484-9836

Email: [CustServe@Michco.com](mailto:CustServe@Michco.com)

Web site: [www.Michco.Com](http://www.Michco.Com)

Parts Web site: [www.FloorMachineParts.Com](http://www.FloorMachineParts.Com)

Order Parts on Line at:

**[www.FloorMachineParts.Com](http://www.FloorMachineParts.Com)**

Directly to Parts & Service:

By Email: **[Shop@Michco.com](mailto:Shop@Michco.com)**

By Fax: (517) 702-2041

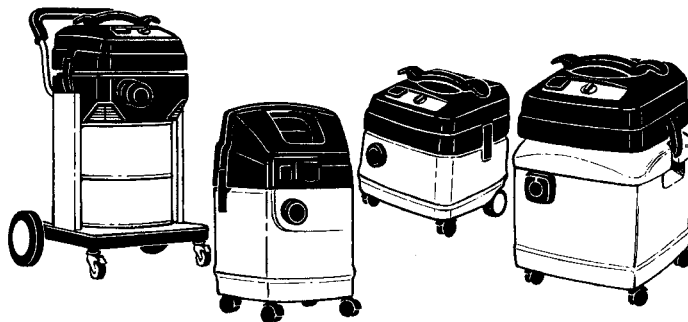
By Voice: Use numbers above.

**Serving the Cleaning Industry Since 1922**

Notice: All copyrighted material remains property of original owners, all trademarks are property of respective owners. Manuals are subject to Manufacturer's reproduction limitations. Originals or reproductions were provided by manufacturers through a request. We make no warranty as to the correctness of information provided in this document and you assume all risk. By placing these manuals on line we are not declaring our corporation to be an manufacturer authorized dealer or provider, please check our web site for authorized manufacturers we represent.



**Operator's  
Manual**



**aero / SQ**  
**Wet/Dry  
Vacuum**

## **READ THIS BOOK**

This book has important information for the use and safe operation of this machine. Failure to read this book prior to operating or attempting any service or maintenance procedure to your ALTO machine could result in injury to you or to other personnel; damage to the machine or to other property could occur as well. You must have training in the operation of this machine before using it. If your operator(s) cannot read English, have this manual explained fully before attempting to operate this machine.

All directions given in this book are as seen from the operator's position at the rear of the machine.

For new books write to: ALTO U.S. Inc., 2100 Highway 265, Springdale, Arkansas 72764.

## Table of Contents

Important Safety Instructions .....	3
Specifications and Accessories .....	5
Grounding Instructions .....	6
How To Assemble the Machine .....	7
How To Prepare The Machine For Operation .....	7
Machine Operation .....	8
Maintenance and Repair .....	9
Troubleshooting .....	10

### **Section II Parts and Service Manual**

Assembly Drawing for aero 5 Gallon and aero 7 AS/E .....	12
Parts List .....	13
Assembly Drawing for SQ 10 and 15 Gallon .....	14
Parts List .....	15
Assembly Drawing for SQ 17 Gallon .....	16
Parts List .....	17

# IMPORTANT SAFETY INSTRUCTIONS



**WARNING**



**AVERTISSEMENT**



**ADVERTENCIA**



**DANGER:**

Failure to read and observe all **DANGER** statements could result in severe bodily injury or death. Read and observe all **DANGER** statements found in your Owner's Manual and on your machine.



**WARNING:**

Failure to read and observe all **WARNING** statements could result in injury to you or to other personnel; property damage could occur as well. Read and observe all **WARNING** statements found in your Owner's Manual and on your machine.



**CAUTION:**


Failure to read and observe all **CAUTION** statements could result in damage to the machine or to other property. Read and observe all **CAUTION** statements found in your Owner's Manual and on your machine.





**WARNING:** To reduce the risk of fire, electric shock, or injury:


1. Do not leave machine when plugged in. Unplug from outlet when not in use and before servicing.
2. To reduce the risk of electric shock use indoors only.
3. Do not allow to be used as a toy. Close attention is necessary when used by or near children.
4. Use only as described in the manual. Use only manufacturer's recommended attachments.
5. Do not use with damaged cord or plug. If machine is not working as it should, has been dropped, damaged, left outdoors, or dropped into water, return it to a service center.
6. Do not pull or carry by cord, use cord as a handle, close a door on cord, or pull cord around sharp edges or corners. Do not run machine over cord. Keep cord away from heated surfaces.
7. Do not unplug by pulling on cord. To unplug, grasp the plug, not the cord.
8. Do not handle plug or machine with wet hands.
9. Do not put any object into openings. Do not use with any opening blocked; keep free of dust, lint, hair and anything that may reduce air flow.
10. Keep hair, loose clothing, fingers, and all parts of body away from openings and moving parts.
11. The following materials must not be picked up with the machine: Hot materials (glowing cigarettes, hot ashes, etc.); Inflammable, explosive or aggressive fluids (e.g. gasoline, solvents, acids, alkalines, etc.); Inflammable, explosive dusts (e.g. magnesium or aluminum dust, etc.).
12. Do not use without dust bag and/or filters in place. Use the machine only with an undamaged filter element.
13. Turn off all controls before unplugging.
14. Use extra care when cleaning on stairs.
16. Connect to properly grounded outlet. See "Grounding Instructions".


**SAVE THESE INSTRUCTIONS**


 **DANGER:** Failure to read the Owner's Manual prior to operating or attempting any service or maintenance procedure to your Wap Technology machine could result in injury to you or to other personnel; damage to the machine or to other property could occur as well. You must have training in the operation of this machine before using it. If your operator(s) cannot read English, have this manual explained fully before attempting to operate this machine.


 **DANGER:** Operating a machine that is not completely or fully assembled could result in injury or property damage. Do not operate this machine until it is completely assembled. Inspect the machine carefully before operation. Use only as described in this manual. Use only Wap Technology's recommended attachments and replacement parts.

 **WARNING:** Operating a machine without observing all labels, decals, etc., could result in injury or damage. Read all machine labels before attempting to operate the machine. Make sure all of the labels are attached or fastened to the machine. Get replacement labels and decals from your Wap Technology distributor.


 **WARNING:** Before connecting any appliance to the appliance plug socket, the machine must always be switched off. If appliances are connected to the appliance plug socket, ensure that these appliances are also switched off when being connected to the appliance plug socket. See "Appliance Plug Socket" in the "Grounding Instructions" section in of this manual.

 **CAUTION:** Making technical modifications to the machine could endanger your safety. Do not make any technical modifications to the machine.

 **CAUTION:** Never spray the top section of the machine with water. Can cause danger to persons or danger of short circuits.

 **CAUTION:** Wrap cord around handle when machine is not in use. Use caution not to run over cord while machine is in use.

 **CAUTION:** This machine is not suitable for picking up health endangering dust.

 **CAUTION:** If foam/liquid comes out, switch off immediately.

**SPECIFICATIONS & ACCESSORIES**

Model	SQ 10 Gal.	SQ 15 Gal.	SQ 17 Gal.	aero 5 Gal.	aero 7 Gal.
Voltage	120 V	120 V	120 V	120 V	120 V
Frequency	60 Hz	60 Hz	60 Hz	60 Hz	60 Hz
Power	1200 Watts	1200 Watts	1200 Watts	1200 Watts	1200 Watts
Connected load for appliance plug socket	600 Watts	600 Watts	600 Watts	NA	600 Watts
Volume Flow (air)	120 CFM	120 CFM	120 CFM	120 CFM	120 CFM
Static Water Lift	90"	90"	90"	65"	65"
Filter Surface Area	3.5 sq. ft.	3.5 sq. ft.	3.5 sq. ft.	3.5 sq. ft.	3.5 sq. ft.
Sound Level	58 db(A)	58 db(A)	58 db(A)	62 db(A)	62 db(A)
Cord Length	22'	22'	22'	15'	15'
Tank Volume	10 gal.	15 gal.	17 gal.	5 gal.	7 gal.
Width	18"	17"	23"	14.5"	14.5"
Depth	17"	17"	22"	14"	14"
Height	20"	26"	37"	18"	21"
Weight	26 lbs.	33 lbs.	55 lbs.	13 lbs.	14 lbs.
Order # for bag-type filter elements (pack of 5 elements)	29739	14895	47429	61156	60910
Order # for filter element	29747	29747	29747	11753	11753
H.E.P.A. Filter	40181	40181	40181	40181	40181
Cloth Filter Liner / Washable	17081	17081	8726	NA	NA
Filter Element Cover	11801	11801	11801	NA	NA
Squeegee Floor Tool	5149	5149	5149	60908	60908
Replacement Squeegee Blades	6114 (set of 2)	6114 (set of 2)	6114 (set of 2)	NA	NA

NA = Not available

## GROUNDING INSTRUCTIONS

This appliance must be grounded. If it should malfunction or breakdown, grounding provides a path of least resistance for electric current to reduce the risk of electric shock. This appliance is equipped with a cord having an equipment-grounding conductor and grounding plug. The plug must be plugged into an appropriate outlet that is properly installed and grounded in accordance with all local codes and ordinances.

- WARNING:** Improper connection of the equipment-grounding conductor can result in a risk of electric shock. Check with a qualified electrician or service person if you are in doubt as to whether the outlet is properly grounded. Do not modify the plug provided with the product - if it will not fit the outlet, have a proper outlet installed by a qualified electrician.

This appliance is for use on a nominal 120-volt circuit and has a ground plug that looks like the plug illustrated in figure 1. Make sure that the appliance is connected to an outlet having the same configuration as the plug. No adapter should be used with this appliance.

- WARNING:** To prevent possible electric shock, protect the machine from rain. Keep the machine in a dry building.
- WARNING:** To prevent possible electric shock, always use a 3-wire electrical system connected to the electrical ground. For maximum protection against electrical shock, use a circuit that is protected by a ground fault circuit interrupter. Consult your electrical contractor.
- WARNING:** Do not cut, remove or break the ground pin. If the outlet does not fit the plug, consult your electrical contractor.
- WARNING:** Have worn, cut or damaged cords replaced by an authorized service person.

### EXTENSION CORDS

Use only an approved extension cord with three conductors, a plug with three terminals, and a connector body with three holes. The machine has a power cord with wire size 16 AWG (AWG means American Wire Gauge).

- WARNING:** If you use an extension cord, use an extension cord with minimum wire size 14 AWG. Do not use an extension cord longer than 50 feet. Do not join two extension cords.

### APPLIANCE PLUG SOCKET

Before connecting any appliance to the appliance plug socket, the machine must always be switched off. If appliances are connected to the appliance plug socket, ensure that these appliances are also switched off when being connected to the appliance plug socket.

- CAUTION:** The operating instructions and the safety precautions contained therein must be observed when using appliances connected to the appliance plug socket of the machine.

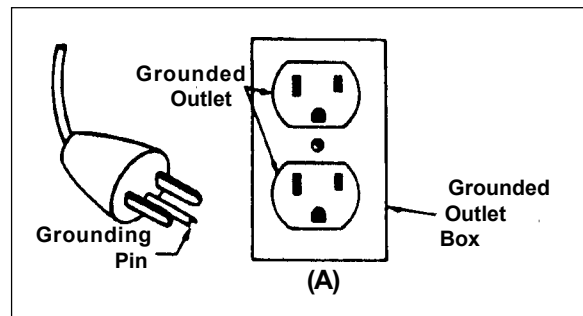


Figure 1

## HOW TO ASSEMBLE THE MACHINE

### CAUTION!

On delivery, the accessories - are lying in the tank and must be removed before the machine is used for the first time. See figure 2.

To assemble the machine, remove the machine top section:

The power cord must not yet be inserted into a plug socket.

1. Open the retaining clamps and lift off the machine top section (Figure 3).
2. Place a bag-type filter into the tank as described in the instructions printed on the filter.
3. Fit the machine top section back on the tank, and close the retaining clamps.
4. Connect the suction hose. The "Wap Multifit" enables any Wap Technology suction hoses (27, 32, 36, 50 mm diameter) to be connected to the machine (Figure 4).

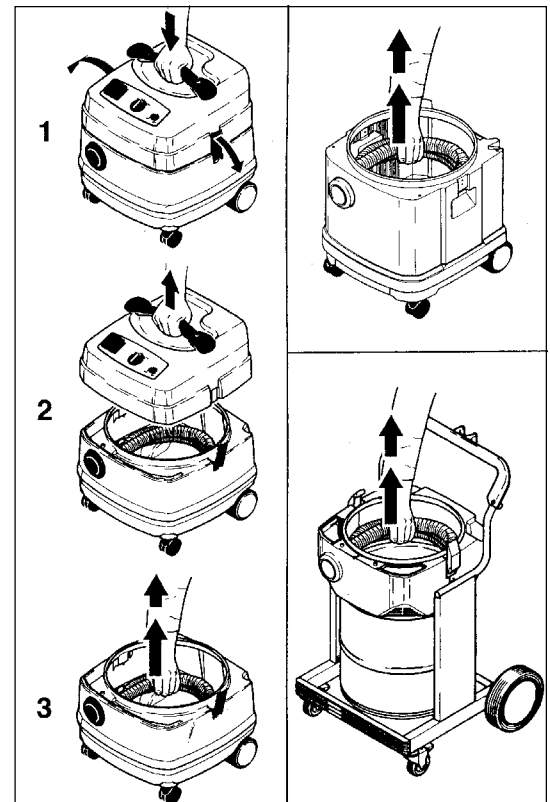


Figure 2

## HOW TO PREPARE THE MACHINE FOR OPERATION

### Electrical Compressed Air Connection

The operating voltage shown on the rating plate must correspond to the voltage of the main power supply.

**Ensure that the machine is switched off** and insert the plug of the power cord into a properly installed and fused plug socket with ground.

### Connecting Electric Tools

*aero 7 AS/E:*

Connect the electric tool to the appliance plug socket on the control panel (Figure 5).

Before connecting a tool, ensure that both the machine and the tool are switched off.

For maximum power consumption of the electric tool to be connected, see the Specification Table on page 5.

Figure 3

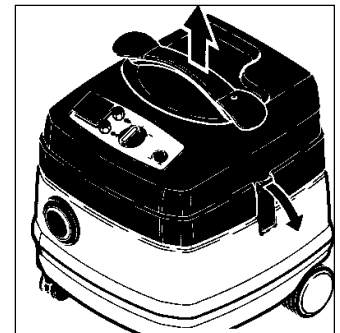


Figure 4

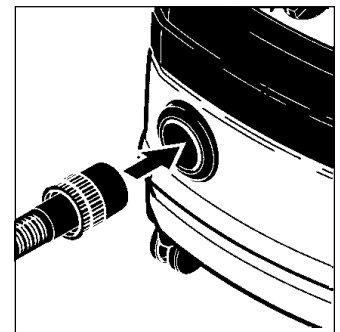
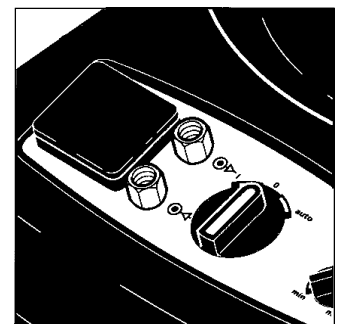


Figure 5



## MACHINE OPERATION

### Picking Up Dry Substances

Before picking up dry substances, the bag-type filter should always be installed in the tank. It is then easy to dispose of the material picked up and the service life of the main filter element is significantly increased. Dry cleaning without bag-type filter is also possible.

**⚠ WARNING: Inflammable substances must not be picked up with the machine!**

After picking up liquids, the filter element is damp. Damp filter elements can clog more quickly when dry substances are picked up. For this reason, the filter element should be dried or replaced before picking up any dry substances.

### Picking Up Liquids

Before picking up liquids, the bag-type filter must always be removed from the tank.

**⚠ WARNING: Inflammable liquids must not be picked up with the machine!**

If foaming is observed, stop work immediately and empty the tank.

### Switching On The Machine (SQ 10/15/17 & aero 5)

Turn the switch to position "I" (Figure 6).

### Switching On The Machine (aero 7 AS/E)

Two operating modes are possible.

1. Switch position "I":  
The machine motor starts immediately.
2. Switch position "auto":  
The machine motor starts only when the tool connected to the appliance plug socket is switched on (Figure 7).

**⚠ CAUTION: Before turning the switch to position "auto", ensure that the tool connected to the appliance plug socket is switched off.**

The motor speed and thus the suction power can be varied at the suction force regulator. This permits a precise adaptation to different substances to be picked up (Figure 7).

### After Finishing Work

1. Switch off the machine and pull the plug of the power cord out of the plug socket.
2. Wind up the power cord around the handle (Figure 8).

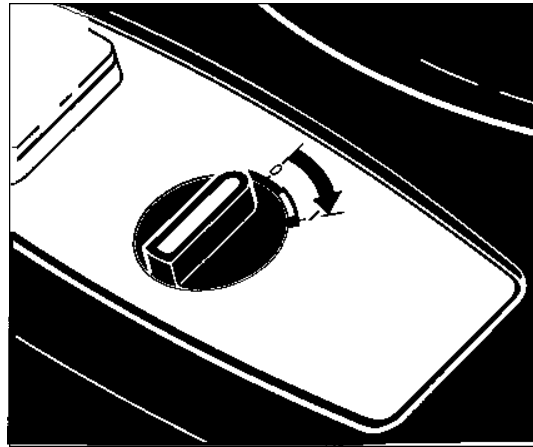


Figure 6

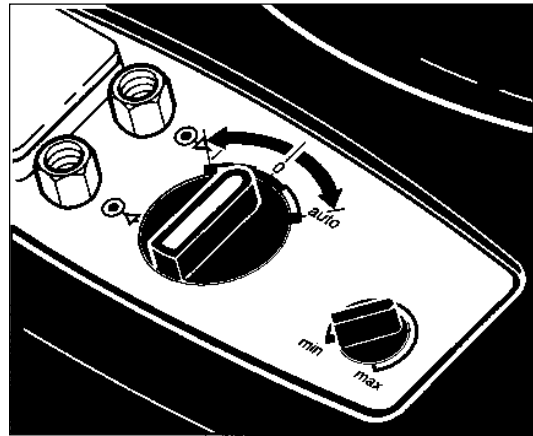


Figure 7

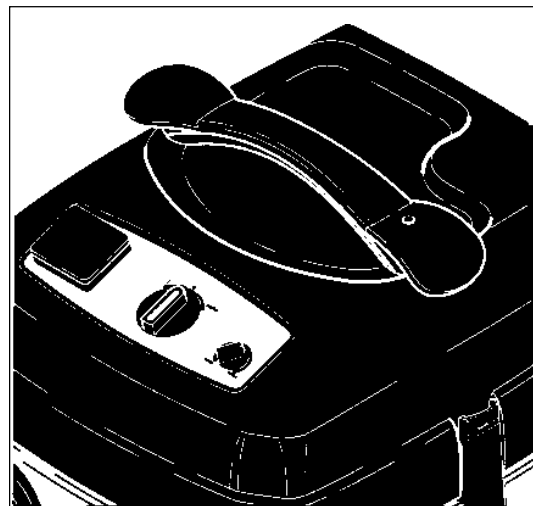


Figure 8

## MACHINE OPERATION

### Changing The Bag Type Filter

1. Close the bag-type filter sleeve with the slide (Figure 9).
2. Pull the bag-type filter sleeve off the inlet fitting.
3. Dispose of the used bag-type filter in accordance with the local waste disposal regulations.
4. Place a new bag-type filter into the tank as described in the instructions printed on the filter.

#### **IMPORTANT!**

**Push the bag-type filter sleeve completely onto the inlet fitting.**

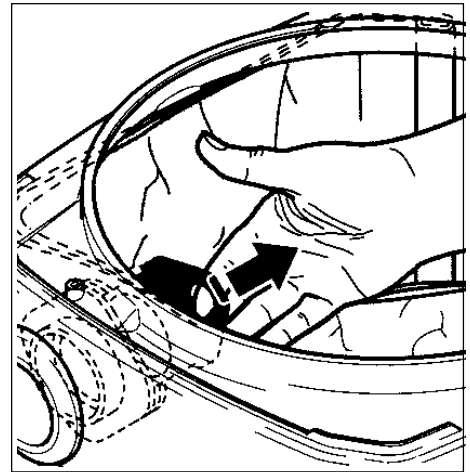


Figure 9

### Replacing The Filter Element

1. Switch off the machine and pull the plug of the power cord out of the plug socket.
2. Remove the machine top section from the dirt tank and place to one side with the filter element facing upwards (Figure 10).
3. Unscrew the filter retaining nut (1) and remove together with the retaining washer (2).
4. Pull off the filter element (3).
5. Push on a new filter element.
6. Fit the filter retaining washer and tighten the retaining nut.
7. Dispose of the used filter element in accordance with the local waste disposal regulations.

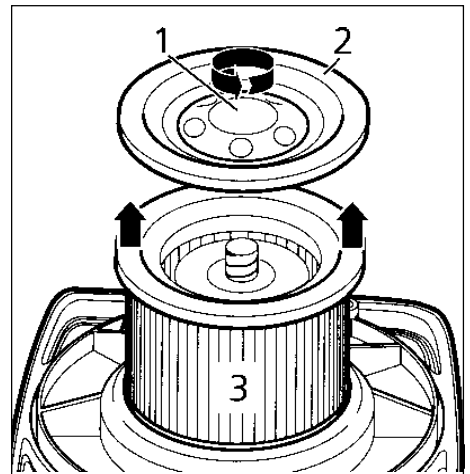


Figure 10

## MAINTENANCE AND REPAIR

**CAUTION:** Before cleaning and servicing the machine, always remove the power cord.

Carry out only maintenance operations described in these operating instructions. Use only original Wap Technology spare parts.

**CAUTION:** Do not make any technical modifications to the machine. Your safety could be endangered as a result!

**For all other maintenance and repair work, please contact and authorized Wap Technology Service department.**

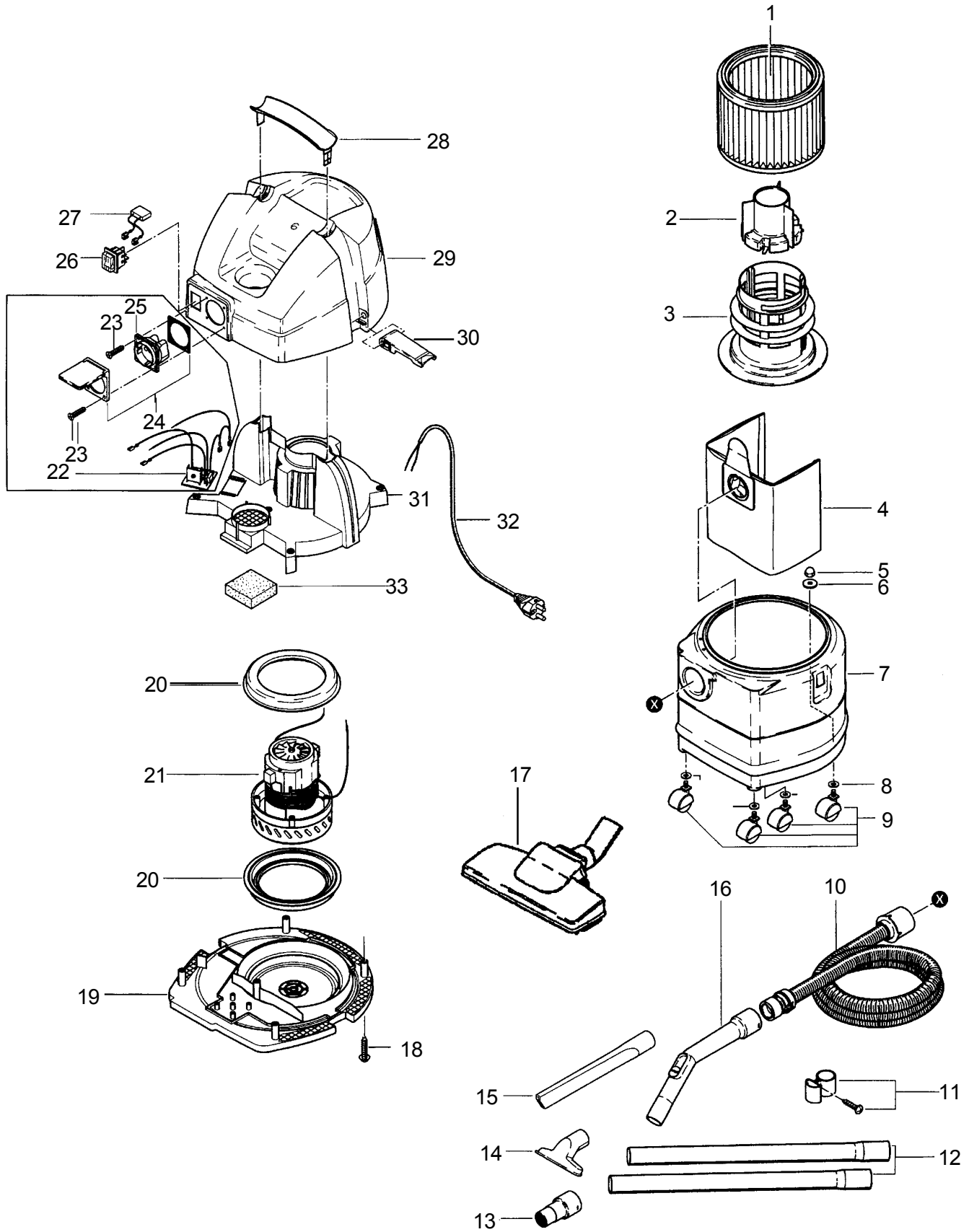




**aero / SQ**  
**Wet/Dry Vacuum**  
**Section II**  
**Parts and Service**

(70204A)

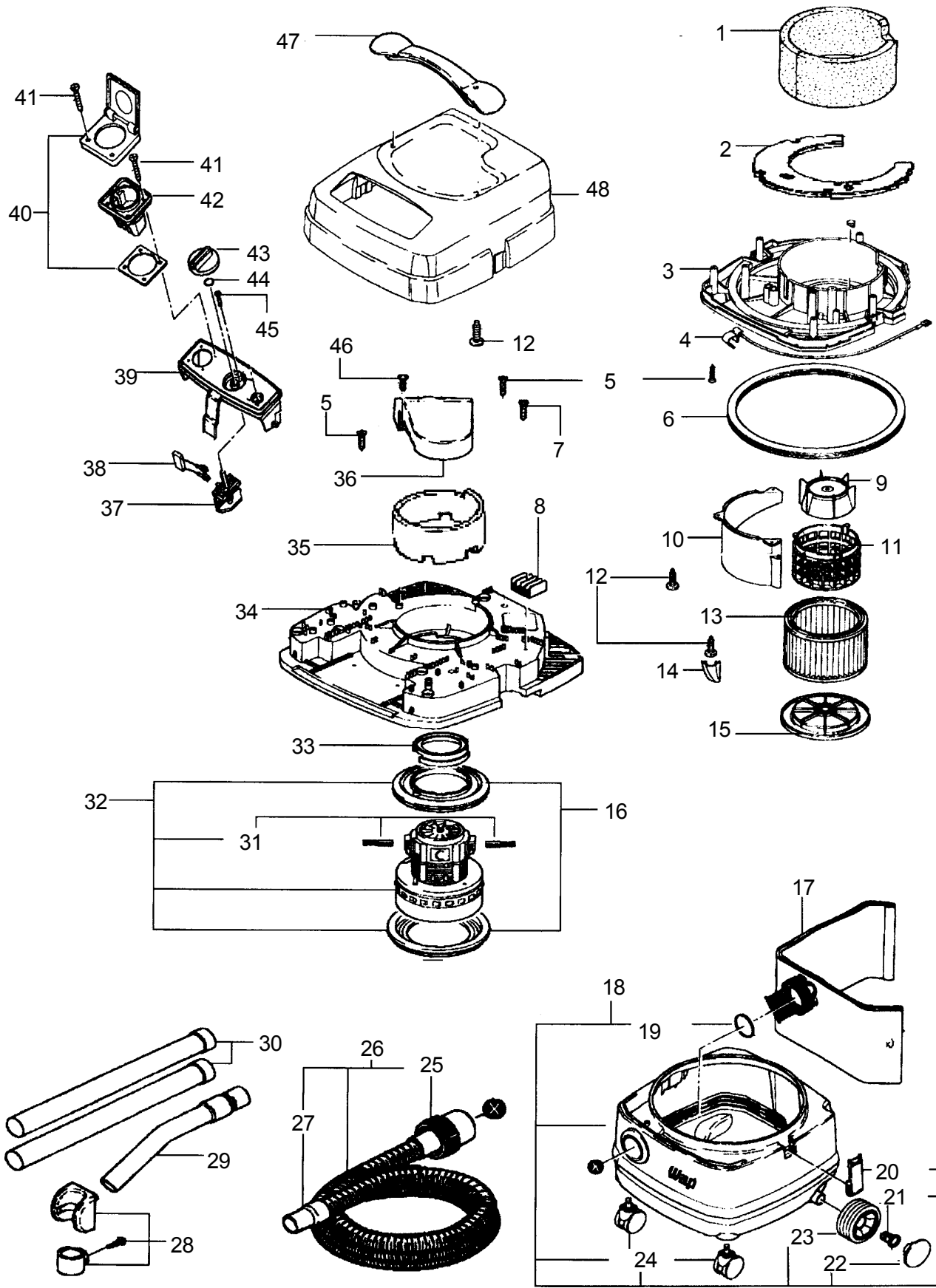
WAP TECHNOLOGY  
aero 5 Gallon  
aero 7 AS/E  
Assembly Drawing 3/00



**WAP TECHNOLOGY**  
**aero 5 Gallon**  
**aero 7 AS/E**  
**Assembly Parts List 3/00**

Ref.	Part No.	Description	Qty
1	11753	Filter Element, Short	1
2	60606	Float	1
3	60607	Cage, Float	1
4	61156	Filter Bag, aero 5 (pkg. of 5)	1
	60910	Filter Bag, aero 7 (pkg. of 5)	1
5	2364	Cap Nut	4
6	2793	U-Disc 8.4mm Zinc	4
7	65246	Canister, aero 5	1
	65247	Canister, aero 7	1
8	61276	Washer	4
9	60608	Caster	4
10	60897	Hose, vac	1
11	60609	Wand Holder	1
12	40696	2 pc. Wand Ext., Plastic	1
13	60916	Cuff, Powertool	1
14	14295	Universal Nozzle	1
15	6084	Crevice Tool 9.5"	1
16	60911	Curved Wand, Plastic	1
17	62352	Floor Tool, 36mm	1
18	11253	Screw 50 x 20	
19	60605	Bottom Housing	1
20	60610	Motor Ring, Vac	2
21	60933	Vac Motor, 120V 1000W	1
22		Automatic Start	1
23	46248	Screw	1
24	46297	Plug Cover, aero 7	1
25	49267	Plug Socket	1
26	60867	Switch, aero 5	1
	11992	Switch Complete	1
27	48338	Screening Filter, aero 5	1
28	60603	Handle	1
29	60601	Top Cover, aero 5	1
	60602	Top Cover, aero 7	1
30	26797	Clamp	2
31	60604	Upper Housing	1
32	60285	Power Cord	1
33	60611	Foam	1

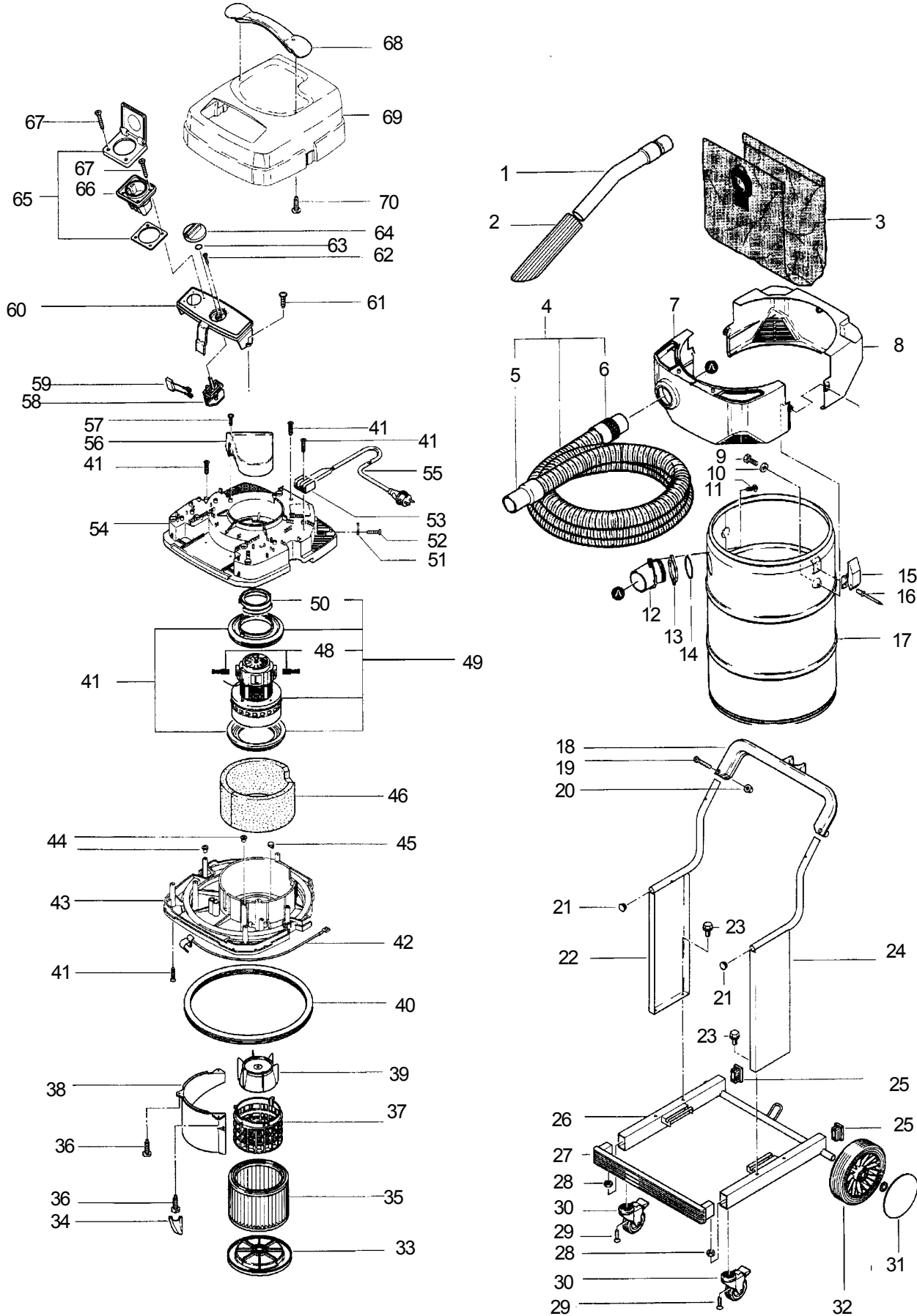
WAP TECHNOLOGY  
 SQ 10 & 15 Gallon  
 Assembly Drawing 3/00



**WAPTECHNOLOGY**  
**SQ 10 &15 Gallon**  
**Assembly Parts List 3/00**

Ref.	Part No.	Description	Qty
1	47014	Ring, Foam Rubber	1
2	47006	Silencer	1
3	44239	Lower Housing, SQ.	1
4	26792	Ground Contact SQ. 10	1
5	11253	Screw, 50mm x 20mm	1
6	11222	Packing Ring, Gasket	1
7	11256	Screw, 35mm x 18mm	1
8	48421	Terminal Block	1
9	11835	Float, Short	1
10	45692	Deflector	1
11	46418	Filter Frame	1
12	11565	Screw, 50 x 18	1
13	29747	Fleece Filter, SQ.	1
14	47025	Covering	1
15	29753	Filter Holder Disc, SQ.	1
16	31972	Rubber Seal, Vac Motor	2
17	29739	Filter Bags, 10 Gallon	
	14896	Filter Bags, 15 Gallon	
18	65243	Canister, SQ 10 Blue	1
	100006	Canister, SQ 15 Blue	1
19	29191	Packing Ring SQ	1
20	26797	Clamp	2
21	43975	Retaining Pin (Wheel)	2
22	43435	Cap (Wheel)	2
23	43433	Wheel	2
24	46298	Cater Swivel	
25	15102	Swivel, Hose	1
26	15805	Suction Hose 1.5" x 10'	1
27	11597	Hose Cuff	1
28	29758	Wand Bracket Set	1
29	5103	Curved Wand, Chrome	1
30	15546	Straight Wand EXT. (2 Pcs.)	1
31	26774	Carbon Brush (Pair)	1
32	26785	Vac, Motor Complete	1
33	47035	Rubber Seal, Vac Motor	1
34	44240	Upper Housing, SQ	1
35	47015	Motor Ring	1
36	25700	Air Diverter, SQ.	1
37	29989	Rotary Switch, SQ.	1
38	48338	Screening Filter	1
39	29755	Control Panel	1
40	46297	Plug Cover	1
41	46248	Screw	1
42	49267	Plug Socket	1
43	243606	Knob, SQ.	1
44	9868	O Ring 10 x 2.5 mm	1
45	18274	Screw	
46	11254	Screw	
47	26801	Handle	1
48	26803	Cover SQ.	1

**WAP TECHNOLOGY**  
**SQ 17 Gallon**  
**Assembly Drawing 3/00**



**WAP TECHNOLOGY**  
**SQ 17 Gallon**  
**Assembly Parts List 3/00**

Ref.	Part No.	Description	Qty
1	5103	Curved Wand, Chrome	
2	5067	Rubber Nozzle	
3	47429	Filter Bag, SQ. 17 (5 pcs.)	
4	15365	Hose, Vac 13' x 36 mm	1
5	11597	Hose Cuff	1
6	15102	Swivel, Hose	1
7	60738	Belt, Front	1
8	60737	Belt, Rear	1
9	17847	Screw, 6mm x 20mm	
10	17849	Washer, 6.4 x 1.6	
11	11565	Screw, 50 x 18	
12	46073		
13	46223		
14	29191	Packing Ring SQ	1
15	19880	Clamp	2
16	15889	Rivet	4
17	60739	Canister 17 Gal.	1
18	46134	Handle Bar SQ.	1
19	17737	Screw, Countersunk	
20	12496	Nut	
21	60767	End Cap	2
22	60746	Panel, Side R.H.	1
23	60771	Screw, Self Threading	4
24	60744	Panel, Side L.H.	1
25	7895	End Cap, Carriage Frame	2
26	60741	Frame	2
27	46301	Bracket, Frt. Carriage	1
28	2758	Nut M8	1
29	30738	Screw, M8 x 30	
30	11474	Caster, Locking	2
31	46490	Cap, Wheel	2
32	48647	Wheel	2
33	29753	Filter Holder Disc	1
34	47025	Covering	3
35	29747	Fleece Filter	1

Ref.	Part No.	Description	Qty
36	11565	Screw, 50 x 18	
37	46418	Filter Frame	1
38	45692	Deflector	1
39	11835	Float, Short	1
40	11222	Packing Ring Gasket	1
41	11253	Screw, 50 x 20	
42	26792	Ground Contact	1
43	44239	Lower Housing	1
44	48414	Plug	2
45	46640	Washer	
46	47014	Foam Ring	1
47	28875	Motor Seal	2
48	26774	Carbon Brushes (Pair)	1
49	26785	Vacuum Motor Complete	1
50	47036	Rubber Ring	1
51	5697	Strain Relief	1
52	11256	Screw 35 x 18	
53	48421	Terminal Block	1
54	44240	Upper Housing SQ	1
55	60285	Power Cord	1
56	25700	Air Diverter	1
57	24738	Screw	
58	29989	Rotary Switch	1
59	48338	Screening Filter	1
60	29755	Control Panel	1
61	11254	Screw	
62	18274	Screw	
63	9868	O Ring 10 x 2.5	1
64	243606	Knob, SQ.	1
65	46297	Plug Cover, SQ	1
66	49267	Plug Socket	1
67	46428	Screw	
68	26801	Handle SQ.	1
69	26803	Cover SQ.	1
70	10029	EJOT - Screw 5.0 x 25	



# ALTO® PRODUCT SUPPORT BRANCHES

## U. S. A. Locations

### HEAD OFFICE

ALTO U.S. Inc., St. Louis, Missouri  
390 S. Woods Mill Rd., Suite 300  
Chesterfield, Missouri 63017-3433

### PRODUCTION FACILITIES

ALTO U.S. Inc., Springdale, Arkansas  
2100 Highway 265  
Springdale, Arkansas 72764  
(501) 750-1000  
**Customer Service - 1-800-253-0367**  
**Technical Service - 1-800-356-7274**

ALTO U.S. Inc., Bowling Green, Ohio 43402  
1100 Haskins

ALTO U.S. Inc., Clearwater, Florida 33765  
1500 N. Belcher Road

### SERVICE FACILITIES

ALTO U.S. Inc., Carlstadt, New Jersey 07072  
150 Commerce Road  
(201) 460-4774

ALTO U.S. Inc., Elk Grove, Illinois 60007  
2280 Elmhurst Road  
(847) 956-7900

ALTO U.S. Inc., Denver, Colorado 80211  
4640 Lipan  
(303) 455-2413

ALTO U.S. Inc., Houston, Texas 77040  
7215 North Gessner Road

### SALES AND SERVICE FACILITIES

ALTO U.S. Inc., Madison Heights, Michigan 48071-0158  
29815 John R.  
(810) 544-6300

ALTO U.S. Inc., Marietta, Georgia 30062  
1355 West Oak Common Lane  
(770) 973-5225

---

**WAPTECHNOLOGY**  
**Customer Service Headquarters**  
1500 N. Belcher Road  
Clearwater, FL 33765

**Technical Service**  
1-877-322-2586

## European Locations

### PRODUCTION FACILITIES

ALTO Danmark A/S, Aalborg  
Blytaekervej 2  
DK-9000 Aalborg  
+45 72 18 21 00

ALTO Danmark A/S, Hadsund  
Industrikvarteret  
DK-9560 Hadsund  
+45 72 18 21 00

### SALES SUBSIDIARIES

ALTO Canada Ltd., Rexdale Ontario  
24 Constellation Ct.  
(416) 675-5830

ALTO Overseas Inc., Sydney (Australia)  
1B/8 Resolution Drive  
Caringbah NSW 2229  
+61 2 9524 6122

ALTO Cleaning Systems Asia Pte Ltd., Singapore  
271 Bukit Timah Rd.  
#04-11 Balmoral Plaza  
Singapore 259708  
+65 8366 455

ALTO Deutschland GmbH, Frondenberg (Germany)  
Ardeyer Str. 15  
D-58730 Frondenberg  
+49 2373 754 200

ALTO Cleaning Systems (UK) Ltd., Penrith  
Gilwilly Industrial Estate  
Penrith  
Cumbria CA11 9BN  
+44 1768 868 995

ALTO France S.A. Strasbourg  
B.P. 44, 4 Place d'Ostwald  
F-67036 Strasbourg  
Cedex 2  
+33 3 8828 8400

ALTO Nederland B.V. Vianen  
Stuartweg 4C  
NL-4131 NJ Vianen  
+31 347 324000

ALTO Sverige AB, Molndal (Sweden)  
Aminogatan 18  
Box 4029  
S-431 04 Molndal  
+46 3127 1600

ALTO Norge A/S, Oslo (Norway)  
Bjornerudveien 24  
N-1266  
+47 2275 1770

## **WAP TECHNOLOGY WARRANTY**

This Wap Technology Industrial/Commercial Product is warranted to be free from defects in materials and workmanship under normal use and service for a period of two years from the date of purchase, when operated and maintained in accordance with Wap Technology's Maintenance and Operations instructions.

This warranty is extended only to the original purchaser for use of the product. It does not cover normal wear parts such as electrical cable, rubber parts, hoses and motor brushes.

If difficulty develops with the product, you should:

- (a). Contact the nearest authorized Wap Technology repair location or contact the Wap Technology Service Operations Department, 1500 N. Belcher Road, Clearwater FL 33765, for the nearest authorized Wap Technology repair location. Only these locations are authorized to make repairs to the product under this warranty.
- (b). Return the product to the nearest Wap Technology repair location. Transportation charges to and from the repair location must be prepaid by the purchaser.
- (c). Wap Technology will repair the product and or replace any defective parts without charge within a reasonable time after receipt of the product.

Wap Technology's liability under this warranty is limited to repair of the product and/or replacement of parts and is given to purchaser in lieu of all other remedies, including INCIDENTAL AND CONSEQUENTIAL DAMAGES.

THERE ARE NO EXPRESS WARRANTIES OTHER THAN THOSE SPECIFIED HEREIN. THERE ARE NO WARRANTIES WHICH EXTEND BEYOND THE DESCRIPTION OF THE FACE HEREOF. NO WARRANTIES, INCLUDING BUT NOT LIMITED TO WARRANTY OF MERCHANTABILITY, SHALL BE IMPLIED. A warranty registration card is provided with your Wap Technology product. Return the card to assist Wap Technology in providing the performance you expect from your new floor machine.

**WAP TECHNOLOGY reserves the right to make changes or improvements to its machine without notice.**

**Always use genuine Wap Technology Parts for repair.**



**WAP TECHNOLOGY**  
1500 N. Belcher Road  
Clearwater, FL 33765