



## Electronic Service Manuals

This electronic document is provided as a service to our customers. We do not create the contents of the information contained in this document. Should you have detailed questions pertaining to the information contained in this document, you may contact Michco, or the manufacturer which provided the original information in this electronic deliverable. Michco's only part in this electronic deliverable was the electronic assembly process. By providing this manual on line we are not guaranteeing parts availability.

You may contact Michco through the following methods:

Phone (517) 484-9312 or (800) 331-3339

2011 N. High St. -- Lansing, Michigan -- 48906

Fax: (517) 484-9836

Email: [CustServe@Michco.com](mailto:CustServe@Michco.com)

Web site: [www.Michco.Com](http://www.Michco.Com)

Parts Web site: [www.FloorMachineParts.Com](http://www.FloorMachineParts.Com)

Order Parts on Line at:

**[www.FloorMachineParts.Com](http://www.FloorMachineParts.Com)**

Directly to Parts & Service:

By Email: **[Shop@Michco.com](mailto:Shop@Michco.com)**

By Fax: (517) 702-2041

By Voice: Use numbers above.

**Serving the Cleaning Industry Since 1922**

Notice: All copyrighted material remains property of original owners, all trademarks are property of respective owners. Manuals are subject to Manufacturer's reproduction limitations. Originals or reproductions were provided by manufacturers through a request. We make no warranty as to the correctness of information provided in this document and you assume all risk. By placing these manuals on line we are not declaring our corporation to be an manufacturer authorized dealer or provider, please check our web site for authorized manufacturers we represent.

ATTIX 560-21 XC  
ATTIX 560-31 XC  
ATTIX 12 Gallon RDFD  
ATTIX 12 Gallon AS/PE  
ATTIX RDFD Head Kit  
ATTIX 761-21 XC  
ATTIX 19 Gallon AS/PE2  
ATTIX 763-21 ED



**Nilfisk**  
**ALTO**  
*Why Compromise*

**Spare parts**  
**Ersatzteile**  
**Pièces détachées**  
**Reservedele**

302000850 - 2005-05-09

**Wap**  
**KEW**

TECHNOLOGIES

# Zeichenerklärung

## Key to symbols

## Légende

## Symbol erklæring

### Recommended spare parts

#### A-Parts:

High turning parts. Recommended stock size is: [Number of machines sold x 0.02] or minimum 1.

These parts are typical: Suction and cooling air filters, filter bags, disposal bags, etc.

#### B-Parts:

Medium turning parts. Recommended stock size is: [Number of machines sold x 0.01] or minimum 1.

These parts are typical: Motor, carbon brushes, floor nozzles, crevice nozzles, power cable, etc.

#### C-Parts:

Low turning parts. Recommended stock size is: Minimum 1.

These parts are typical: Electrical parts, switches, electronic boards, flow sensor, sockets, contact spring, clamps, wheels, handles, etc.

### Empfohlene Ersatzteile

#### A-Teile:

Teile mit hoher Umschlagshäufigkeit. Empfohlene Lagerstückzahl: [Anzahl der verkauften Maschinen x 0,02] oder Minimum 1.

Diese Teile sind typisch: Saug- und Luftfilter, Filtertüten, Entsorgungssäcke, etc.

#### B-Teile:

Teile mit mittlerer Umschlagshäufigkeit. Empfohlene Lagerstückzahl: [Anzahl der verkauften Maschinen x 0,01 oder Minimum 1.

Diese Teile sind typisch: Motoren, Kohlebürsten, Bodendüsen, Netzleitung, Fugendüsen, etc.

#### C-Teile:

Teile mit niedriger Umschlagshäufigkeit. Empfohlene Lagerstückzahl: Minimum 1.

Diese Teile sind typisch: Elektrische Teile, Schalter, Platinen, Strömungswächter, Kontaktfedern, Steckdosen, Klammern, Räder, Handgriff, etc.

### Liste de pièces à stocker

#### Pièces-A:

Pièces de rechange de la vitesse de rotation haute. Le stock conseillé est : [Nombre de machines acheteés x 0,02] avec un minimum de 1.

Classiquement, ces pièces sont: Filtres d'aspiration et de refroidissement d'air, sacs filtre, sacs à déchets, etc.

#### Pièces-B:

Pièces de rechange de la vitesse de rotation moyenne. Le stock conseillé est : [Nombre de machines acheteés x 0,01] avec un minimum de 1.

Classiquement, ces pièces sont: Moteur, balais, buses de nettoyage de sol, câble électrique, etc.

#### Pièces-C:

Pièces de rechange de la vitesse de rotation bas. Le stock conseillé est : Un minimum de 1.

Classiquement, ces pièces sont: Elements électriques, interrupteurs, circuits imprimés, capteur de flux, prises, ressort de contact, agrafes, roues, poignées, etc.

### Anbefalede reservedele

#### A-Parts:

Dele med høj omsætningshastighed. Anbefalet lagerstørrelse: [Antal maskiner solgt x 0,02] eller minimum 1.

Disse dele er typisk: Suge- og køle luftfilter, filterposer, affaldsposer m.v.

#### B-Parts:

Dele med middel omsætningshastighed. Anbefalet lagerstørrelse: [Antal maskiner solgt x 0,01] eller minimum 1.

Disse dele er typisk: Motor, kulbørster, gulvdyser, sugemundestykke til sprækker, el-ledning m.v.

#### C-Parts:

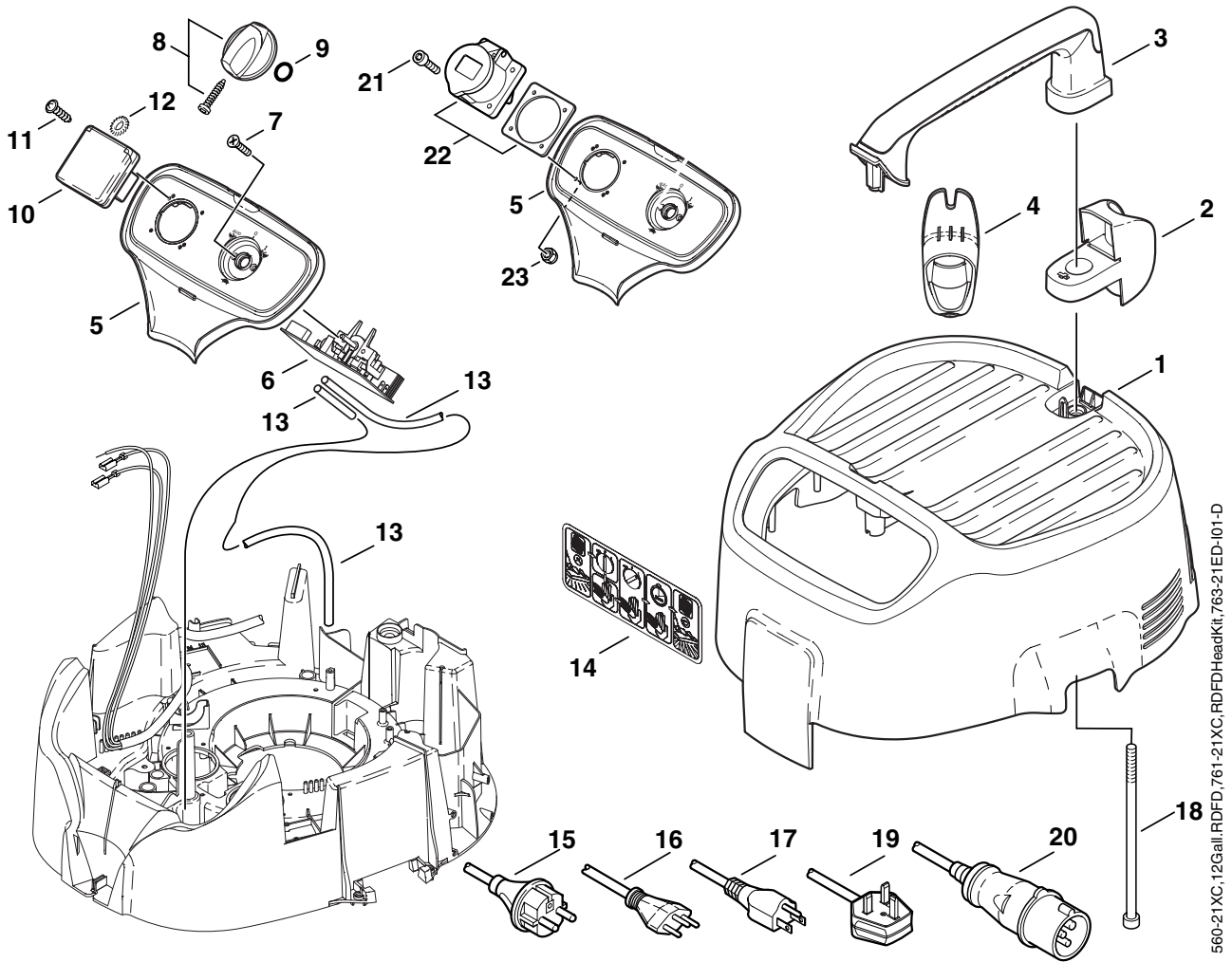
Dele med lav omsætningshastighed. Anbefalet lagerstørrelse: Minimum 1.

Disse dele er typisk: Elektriske dele, kontakter, printkort, flow føler, stikdåser, kontaktfjeder, spændestykker, hjul, håndtag m.v.

- ◇ ACHTUNG! - Meterware - Bitte bei Bestellung gewünschte Länge angeben!  
ATTENTION! - Lengths in metres - Please indicate required length when ordering!  
ATTENTION! - Longueurs par mètre - Préciser la longueur à la commande!  
BEMÆRK! - Metervare - Ved bestilling venligst opgive den ønskede længde!

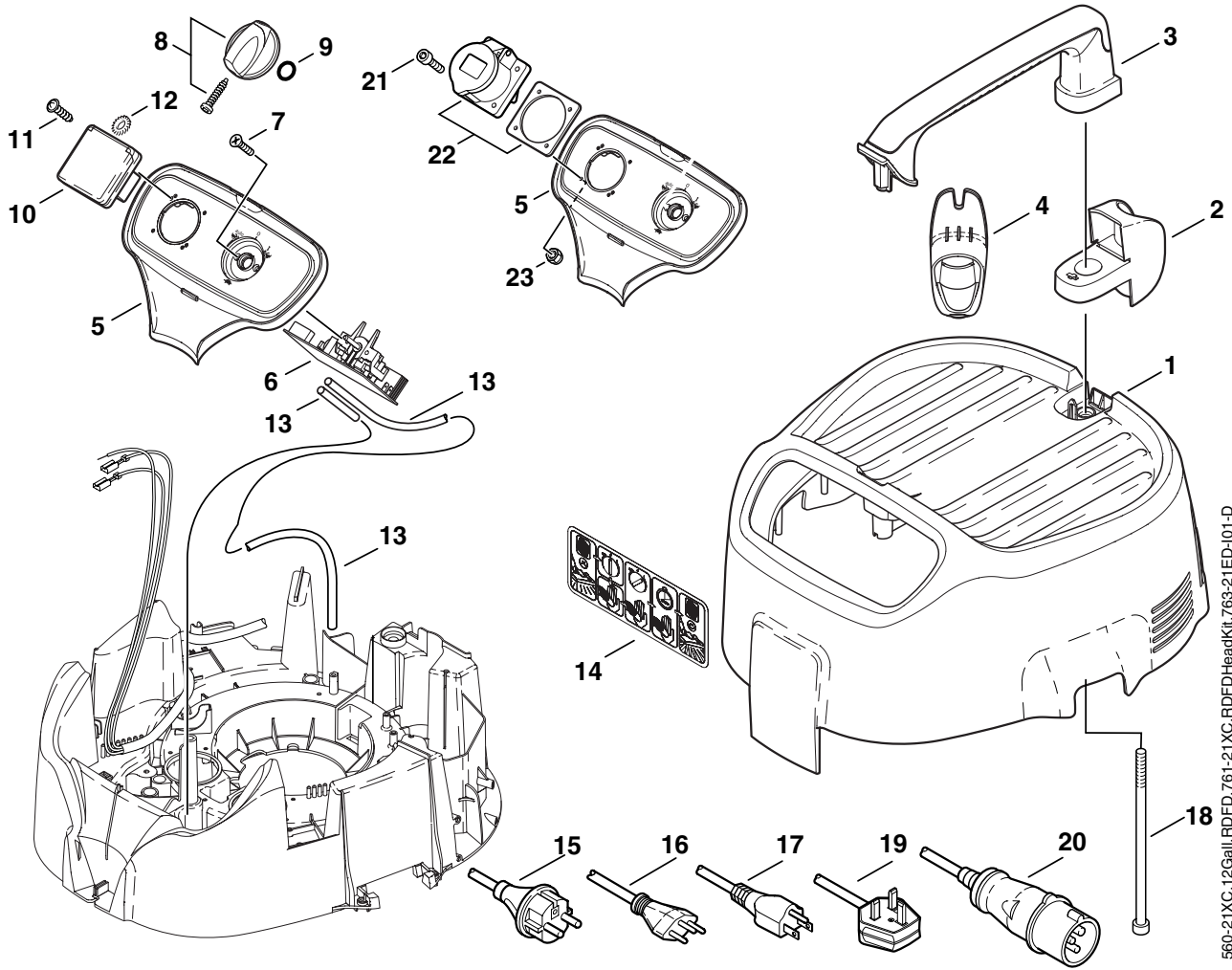
- |  |   |  |
|--|---|--|
| * bestehend aus<br>consisting of<br>composé de<br>bestående af | ● beinhaltet<br>includes<br>inclus<br>inkludere | ▼ Sofort lieferbar<br>On stock<br>Immédiatement livrable<br>Lager vare |
|--|---|--|

ATTIX 560-21 XC, 12 Gallon RDFD, RDFD Head Kit, 761-21 XC, 763-21 ED



| Pos. | No.       | Description                            | Bezeichnung                              | Désignation  | Betegnelse                                  | Comment<br>Bemerkung<br>Bemærkning     | Rec. Part<br>ATTIX 5,7 |     |
|------|-----------|--|--|--|---|--|------------------------|-----|
| 1    | 302000703 | Hood w. Soundproofing                  | Haube m.Dämmung                          | Capot avec isolation                                   | Kappe m.Isolering                           |  | 1                      |     |
| 2    | 302000382 | Suction Tube Fastener                  | Saugrohrhalter                           | Support de flexible                                    | Sugerørsholder                              | 560-21XC, 12Gall.RDFD                  | 1                      |     |
| 3    | 302000638 | Handle                                 | Griff                                    | Poignée  | Håndtag                                     |  | 1                      |     |
| 4    | 302000380 | Cable Hook 145x57x45                   | Kabelhalter 145x57x45                    | Support de câble<br>145x57x45                          | Kabelholder 145x57x45                       |  | 1                      |     |
| 5    | 302000757 | Switch Box "ATTIX 5,7-21,AS/E,12G.RDF" | Schaltkasten "ATTIX 5,7-21,AS/E,12G.RDF" | Coffret de commande<br>"ATTIX 5,7-21,AS/E,<br>12G.RDF" | Kontaktkasse "ATTIX<br>5,7-21,AS/E,12G.RDF" |  | 1                      |     |
| ▼    | 6         | 302000852                              | Electronic 120V Set1                     | Elektronik Magnetsteuerung 120V Set1                   | Electronique 120V Set1                      | Elektronik 120V Set1                   | 100-120V               | A 1 |
| ▼    | 6         | 302000853                              | Electronic 230V Set1                     | Elektronik Magnetsteuerung 230V Set1                   | Electronique 230V Set1                      | Elektronik 230V Set1                   | 220-240V               | A 1 |
| 7    | 18274     | Countersunk Screw M4x12                | Senkschraube M4x12                       | Vis à tête fraisée M4x12                               | Undersænskruer M4x12                        |  | 2                      |     |
| ▼    | 8         | 909100204                              | Rotary Knob Ø6x5                         | Drehknopf Ø6x5   | Bouton tournant Ø6x5                        | Drejeknap Ø6x5                         |                        | 1   |
| ▼    | 9         | 9868                                   | O-ring Ø10x2,5                           | O-Ring Ø10x2,5   | Joint torique Ø10x2,5                       | O-ring Ø10x2,5                         |                        | 1   |
| ▼    | 10        | 302000147                              | Socket 10A/250V *CH*                     | Steckdose 2-polig+PE 10A/250V *CH*                     | Prise électrique 10A/250V *CH*              | Stikkontakt 2-polet+PE 10A/250V *CH*   | *CH*                   | 1   |
| ▼    | 10        | 302000148                              | Socket 13A/250V *GB*                     | Steckdose 2-polig+PE 13A/250V *GB*                     | Prise électrique 13A/250V *GB*              | Stikkontakt 2-polet+PE 13A/250V *GB*   | *GB,230V*              | 1   |
| ▼    | 10        | 302000149                              | Socket 15A/125V *US/CSA*                 | Steckdose 2-polig+PE 15A/125V *US/CSA*                 | Prise électrique 15A/125V *US/CSA*          | Stikkontakt 2-polet+PE 15A/125V *US/CS | *US*                   | 1   |
| ▼    | 10        | 302000151                              | Socket 16A/250V                          | Steckdose 2-polig+PE 16A/250V                          | Prise électrique 16A/250V                   | Stikkontakt 2-polet+PE 16A/250V        | *EU*                   | 1   |
| ▼    | 10        | 302000683                              | Socket 10A/250V *DK*                     | Steckdose 2-polig+PE 10A/250V *DK*                     | Prise électrique 10A/250V *DK*              | Stikkontakt 2-polet+PE 10A/250V *DK*   | *DK*                   | 1   |
| 11   | 11256     | Screw 3.5x18                           | Schraube 3,5x18                          | Vis 3,5x18   | Skrue 3,5x18                                |  | 2                      |     |
| 12   | 4021      | Serrated lock washer A4,3              | Fächerscheibe A4,3                       | Rondelle évantail A4,3                                 | Skive A4,3                                  | *US*                                   | 2                      |     |

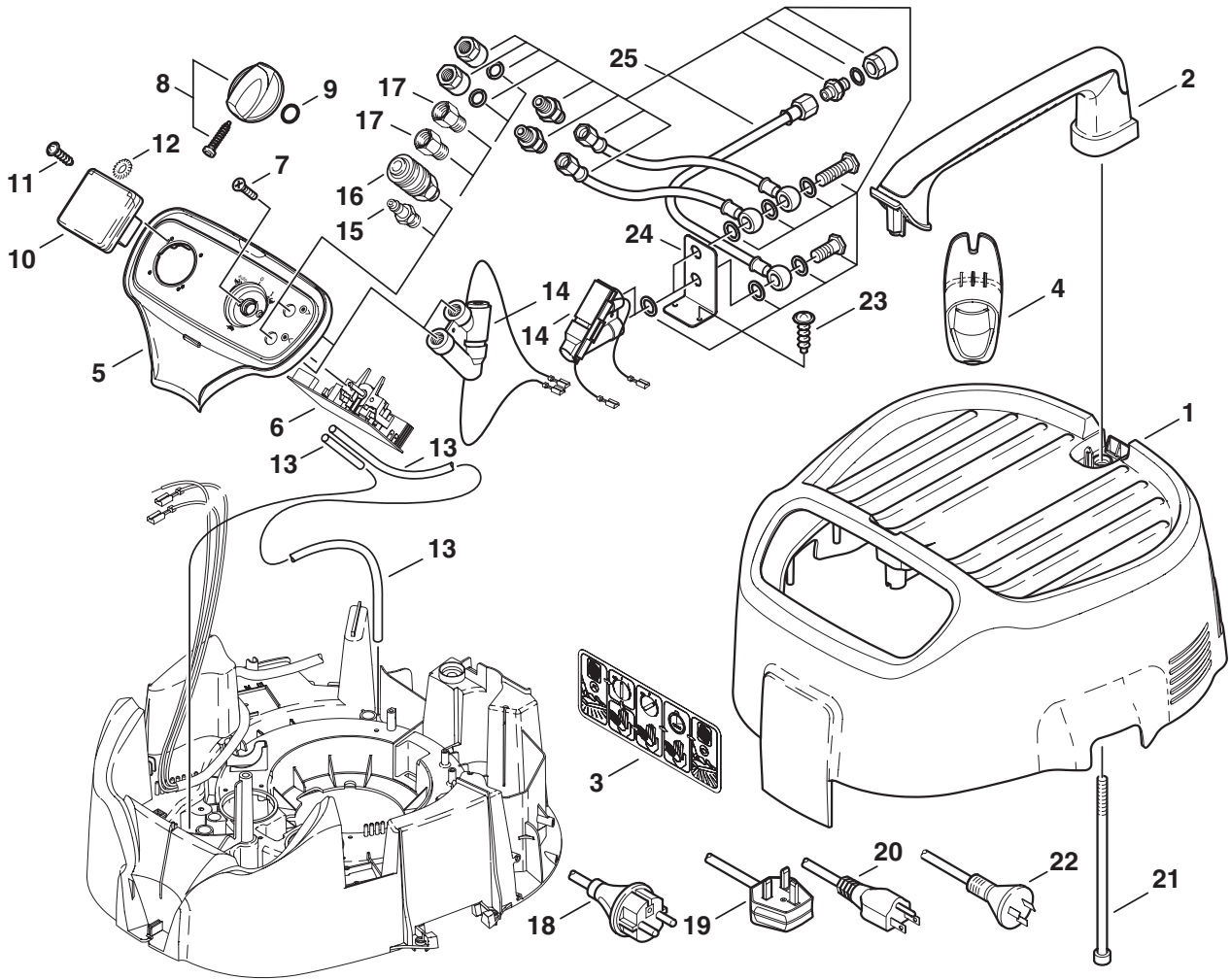
ATTIX 560-21 XC, 12 Gallon RDFD, RDFD Head Kit, 761-21 XC, 763-21 ED



560-21XC,12Gall.RDFD,761-21XC,RDFDHeadKit,763-21ED-101-D

| Pos. | No. | Description                               | Bezeichnung                                | Désignation                                | Betegnelse                             | Comment<br>Bemerkung<br>Bemærkning | Rec. Part<br>ATTIX 5,7 |
|------|-----|---|--|--|--|------------------------------------|------------------------|
| ▼◆   | 13  | Hose Ø3x1,5                               | Schlauch Ø3x1,5                            | Tuyau Ø3x1,5                               | Slange Ø3x1,5                          | not 763-21 ED                      | 1                      |
|      | 14  | Label                                     | Klebeschild "Vollabreinigung"              | Étiquette                                  | Label                                  |                                    | 1                      |
|      | 15  | Power Cord H05RR-F<br>3G1,5x8,2 *EU*      | Netzleitung H05RR-F<br>3G1,5x8,2 *EU*      | Câble alim H05RR-F<br>3G1,5x8,2 *EU*       | Ledning H05RR-F<br>3G1,5x8,2 *EU*      | *EU*                               | 1                      |
|      | 15  | Power Cord H05RR-F<br>3G1,0x8,2 *DK*      | Netzleitung H05RR-F<br>3G1,0x8,2 *DK*      | Câble alim H05RR-F<br>3G1,0x8,2 *DK*       | Ledning H05RR-F<br>3G1,0x8,2 *DK*      | *DK*                               | 1                      |
|      | 16  | Power Cord H05RR-F<br>3G1,0x8,2 *CH*      | Netzleitung H05RR-F<br>3G1,0x8,2 *CH*      | Câble alim H05RR-F<br>3G1,0x8,2 *CH*       | Ledning H05RR-F<br>3G1,0x8,2 *CH*      | *CH*                               | 1                      |
|      | 17  | Power Cord SJTW-A<br>AWG14/3x8,2 *US*     | Netzleitung SJTW-A<br>AWG14/3x8,2 *US*     | Câble alim SJTW-A<br>AWG14/3x8,2 *US*      | Ledning SJTW-A<br>AWG14/3x8,2 *US*     | *US*                               | 1                      |
|      | 18  | Screw M6x140                              | Schraube M6x140                            | Vis M6x140                                 | Skrue M6x140                           |                                    | 2                      |
|      | 19  | Power Cord H05RR-F<br>3G1,5x10,7 *GB*     | Netzleitung H05RR-F<br>3G1,5x10,7 *GB*     | Câble alim H05RR-F<br>3G1,5x10,7 *GB*      | Ledning H05RR-F<br>3G1,5x10,7 *GB*     | *GB,230V*                          | 1                      |
|      | 20  | Power Cord H07BQ-F<br>3G2,5x8,2 110V *GB* | Netzleitung H07BQ-F<br>3G2,5x8,2 110V *GB* | Câble alim H07BQ-F<br>3G2,5x8,2 110V *GB*  | Ledning H07BQ-F<br>3G2,5x8,2 110V *GB* | *GB,110V*                          | 1                      |
|      | 21  | Screw M5x20                               | Zylinderschraube M5x20                     | Vis hexagonale M5x20                       | Skrue M5x20                            | *GB,110V*                          | 4                      |
|      | 22  | Socket 2-pol.16A-4H/<br>110-130V          | Steckdose 2-pol.16A-4H/<br>110-130V        | Prise électrique 2-<br>pol.16A-4H/110-130V | Stikkontakt 2-pol.16A-4H/<br>110-130V  | *GB,110V*                          | 1                      |
|      | 23  | Hexagon Nut M5                            | Sechskantmutter M5                         | Ecrou hexagonal M5                         | Møtrik M5                              | *GB,110V*                          | 4                      |

**ATTIX 560-31 XC, 12 Gallon AS/PE, 19 Gallon AS/PE 2**

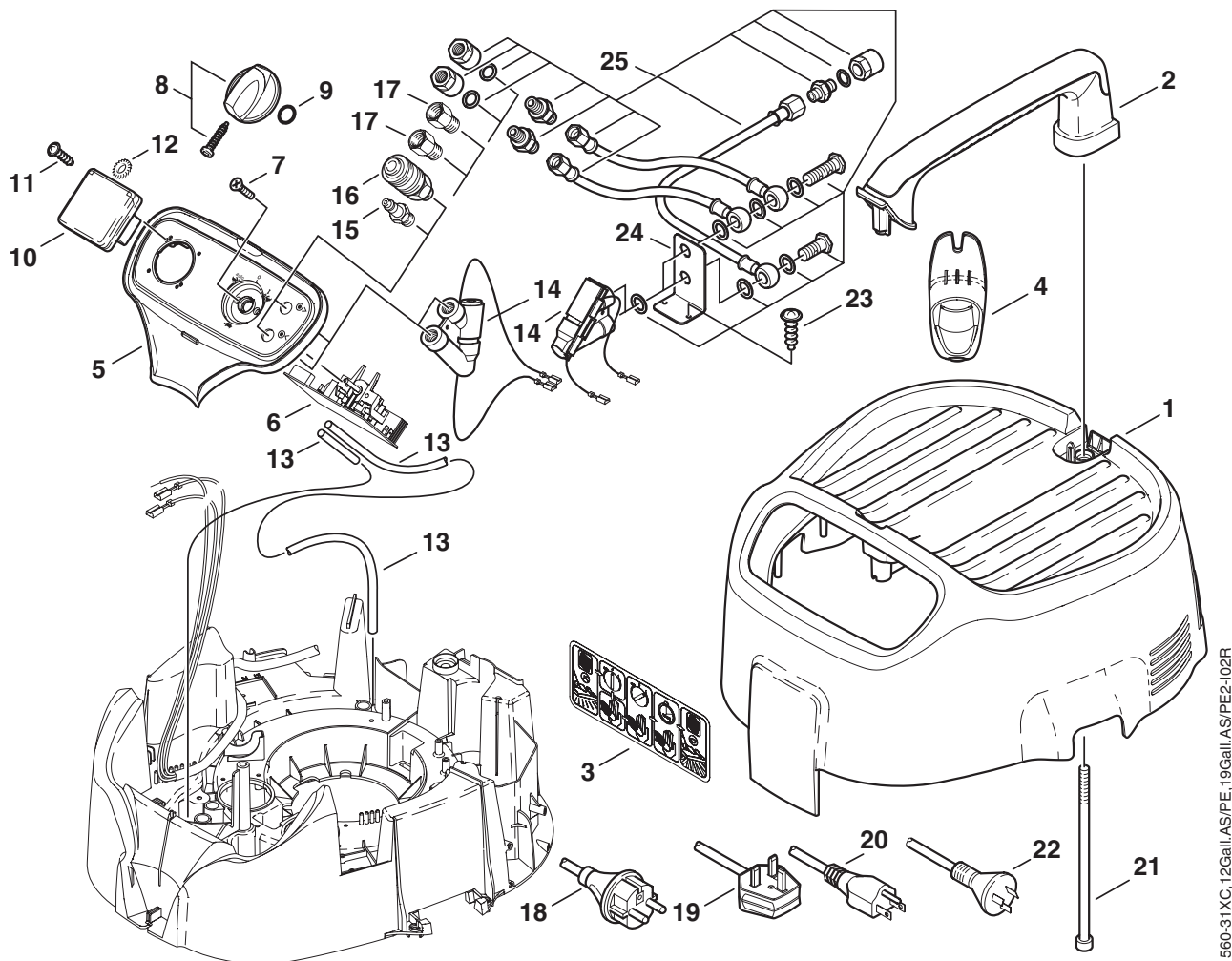


560-31XC,12Gall,AS/PE,19Gall,AS/PE2-I02R

| Pos. | No.       | Description                      | Bezeichnung                        | Désignation                               | Betegnelse                             | Comment<br>Bemerkung<br>Bemærkning        | Rec. Part<br>ATTIX 5,7 |     |
|------|-----------|----------------------------------|------------------------------------|---|--|---|------------------------|-----|
| 1    | 302000703 | Hood w. Soundproofing            | Haube m.Dämmung                    | Capot avec isolation                      | Kappe m.Isolering                      |   | 1                      |     |
| 2    | 302000638 | Handle                           | Griff                              | Poignée                                   | Håndtag                                |   | 1                      |     |
| 3    | 302000824 | Label                            | Klebeschild "Vollabreini-<br>gung" | Étiquette                                 | Label                                  |   | 1                      |     |
| 4    | 302000380 | Cable Hook 145x57x45             | Kabelhalter 145x57x45              | Support de câble<br>145x57x45             | Kabelholder 145x57x45                  |   | 1                      |     |
| 5    | 302000758 | Switch Box "ATTIX 5-<br>31,12G"  | Schaltkasten "ATTIX<br>5-31,12G"   | Coffret de commande<br>"ATTIX 5-31,12G"   | Kontaktkasse "ATTIX<br>5-31,12G"       | 560-31XC,<br>12Gallon AS/PE               | 1                      |     |
| 5    | 302001590 | Switch Box "ATTIX<br>19G.AS/PE2" | Schaltkasten "ATTIX<br>19G.AS/PE2" | Coffret de commande<br>"ATTIX 19G.AS/PE2" | Kontaktkasse "ATTIX<br>19G.AS/PE2"     | 19Gallon AS/PE2                           | 1                      |     |
| ▼    | 6         | 302000852                        | Electronic 120V Set1               | Elektronik Magnetsteuer-<br>ung 120V Set1 | Electronique 120V Set1                 | Elektronik 120V Set1                      | 100-120V               | A 1 |
| ▼    | 6         | 302000853                        | Electronic 230V Set1               | Elektronik Magnetsteuer-<br>ung 230V Set1 | Electronique 230V Set1                 | Elektronik 230V Set1                      | 220-240V               | A 1 |
| 7    | 18274     | Countersunk Screw<br>M4x12       | Senkschraube M4x12                 | Vis à tête fraisée M4x12                  | Undersænskruer M4x12                   |   | 2                      |     |
| ▼    | 8         | 909100204                        | Rotary Knob Ø6x5                   | Drehknopf Ø6x5                            | Bouton tournant Ø6x5                   | Drejeknap Ø6x5                            |                        | 1   |
| ▼    | 9         | 9868                             | O-ring Ø10x2,5                     | O-Ring Ø10x2,5                            | Joint torique Ø10x2,5                  | O-ring Ø10x2,5                            |                        | 1   |
| ▼    | 10        | 302000148                        | Socket 13A/250V *GB*               | Steckdose 2-polig+PE<br>13A/250V *GB*     | Prise électrique 13A/<br>250V *GB*     | Stikkontakt 2-polet+PE<br>13A/250V *GB*   | *GB,230V*              | 1   |
| ▼    | 10        | 302000149                        | Socket 15A/125V<br>*US/CSA*        | Steckdose 2-polig+PE<br>15A/125V *US/CSA* | Prise électrique 15A/<br>125V *US/CSA* | Stikkontakt 2-polet+PE<br>15A/125V *US/CS | *US*                   | 1   |
| ▼    | 10        | 302000151                        | Socket 16A/250V                    | Steckdose 2-polig+PE<br>16A/250V          | Prise électrique 16A/<br>250V          | Stikkontakt 2-polet+PE<br>16A/250V        | *EU*                   | 1   |
| ▼    | 10        | 302001185                        | Socket 10A/250V *AU*               | Steckdose 2-polig+PE<br>10A/250V *AU*     | Prise électrique 10A/<br>250V *AU*     | Stikkontakt 2-polet+PE<br>10A/250V *AU*   | *AU*                   | 1   |
| 11   | 11256     | Screw 3.5x18                     | Schraube 3,5x18                    | Vis 3,5x18                                | Skrue 3,5x18                           |   | 2                      |     |
| 12   | 4021      | Serrated lock washer<br>A4,3     | Fächerscheibe A4,3                 | Rondelle évantail A4,3                    | Skive A4,3                             | *US*                                      | 2                      |     |

302000850 - 2005-05-09

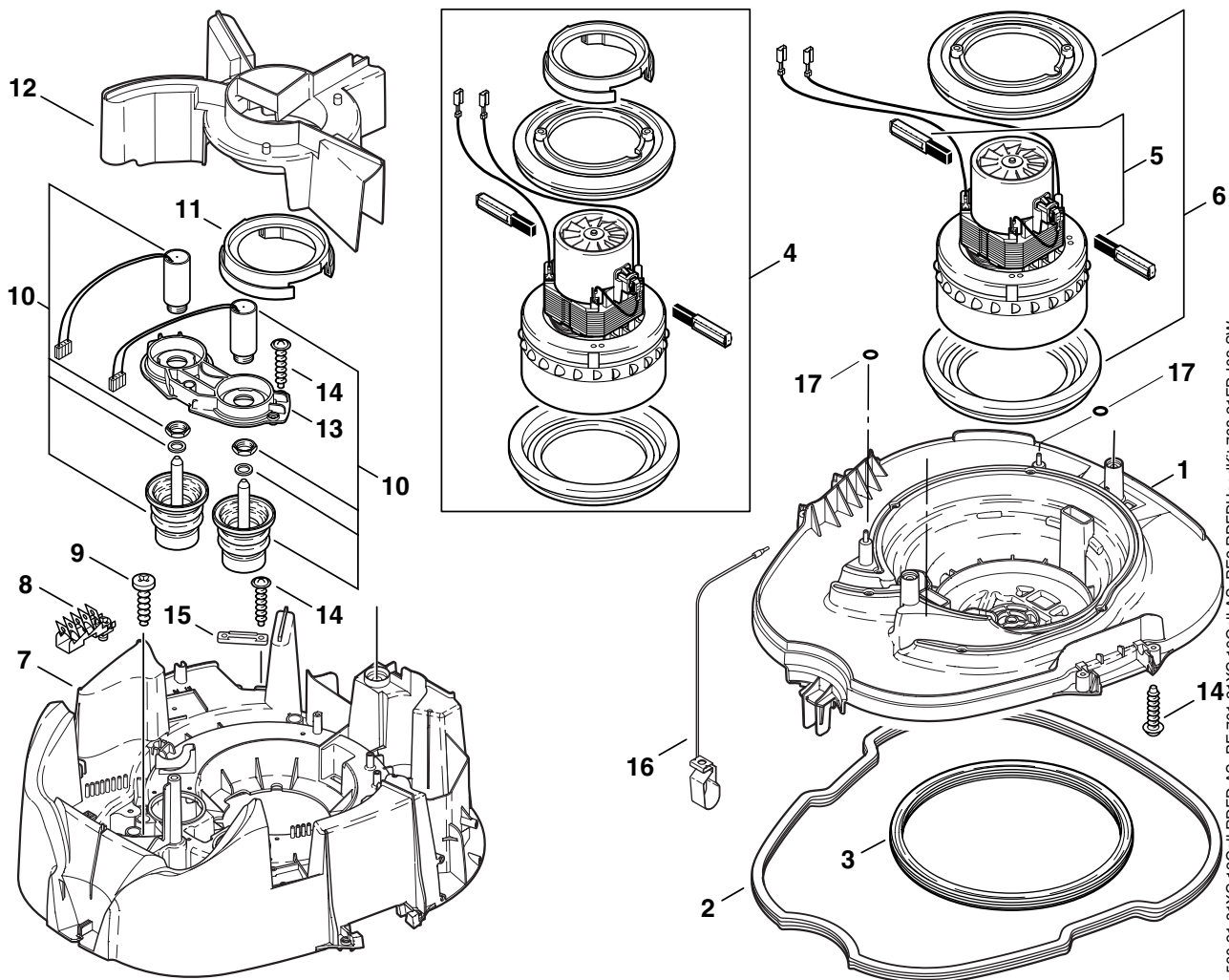
ATTIX 560-31 XC, 12 Gallon AS/PE, 19 Gallon AS/PE 2



560-31XC, 12Gall.,AS/PE, 19Gall.,AS/PE2-102R

| Pos. | No. | Description                                  | Bezeichnung                         | Désignation                        | Betegnelse                      | Comment<br>Bemerkung<br>Bemærkning | Rec. Part<br>ATTIX 5,7 |
|------|-----|--|-------------------------------------|------------------------------------|---------------------------------|------------------------------------|------------------------|
| ↕    | 13  | 11379 Hose Ø3x1,5                            | Schlauch Ø3x1,5                     | Tuyau Ø3x1,5                       | Slange Ø3x1,5                   |                                    | 1                      |
| ▼    | 14  | 60392 Flow meter 2xG1/4                      | Strömungswächter 2xG1/4             | Contrôleur de débit 2xG1/4         | Strømningskontrol 2xG1/4        |                                    | A 1                    |
|      | 15  | 14809 Coupling male G1/4"                    | Kupplungsstecker G1/4"              | Raccord G1/4"                      | Nippel G1/4"                    | 560-31XC                           | 1                      |
|      | 16  | 14808 Coupling female G1/4"                  | Schlauchkupplung G1/4"              | Raccord rapide femelle G1/4"       | Kobling G1/4"                   | 560-31XC                           | 1                      |
|      | 17  | 25437 Nipple G1/4-R1/4                       | Muffennippel G1/4-R1/4              | Nipple G1/4-R1/4                   | Nippel G1/4-R1/4                | 12Gallon AS/PE                     | 2                      |
|      | 18  | 302000437 Power Cord H05RR-F 3G1,5x8,2 *EU*  | Netzleitung H05RR-F 3G1,5x8,2 *EU*  | Câble alim H05RR-F 3G1,5x8,2 *EU*  | Ledning H05RR-F 3G1,5x8,2 *EU*  | *EU*                               | 1                      |
|      | 19  | 302000752 Power Cord H05RR-F 3G1,5x10,7 *GB* | Netzleitung H05RR-F 3G1,5x10,7 *GB* | Câble alim H05RR-F 3G1,5x10,7 *GB* | Ledning H05RR-F 3G1,5x10,7 *GB* | *GB,230V*                          | 1                      |
|      | 20  | 302000442 Power Cord SJTW-A AWG14/3x8,2 *US* | Netzleitung SJTW-A AWG14/3x8,2 *US* | Câble alim SJTW-A AWG14/3x8,2 *US* | Ledning SJTW-A AWG14/3x8,2 *US* | *US*                               | 1                      |
|      | 21  | 909100084 Screw M6x140                       | Schraube M6x140                     | Vis M6x140                         | Skrue M6x140                    |                                    | 2                      |
|      | 22  | 302000441 Power Cord H05RR-F 3G1,5x8,2 *AU*  | Netzleitung H05RR-F 3G1,5x8,2 *AU*  | Cable alim H05RR-F 3G1,5x8,2 *AU*  | Ledning H05RR-F 3G1,5x8,2 *AU*  | *AU*                               | 1                      |
|      | 23  | 24738 Screw 3,5x8                            | Schraube 3,5x8                      | Vis 3,5x8                          | Skrue 3,5x8                     | 19Gallon AS/PE2                    | 2                      |
|      | 24  | 302001681 Bracket 100x70x40x32,5             | Winkel 100x70x40x32,5               | Support 100x70x40x32,5             | Holder 100x70x40x32,5           | 19Gallon AS/PE2                    | 1                      |
|      | 25  | 302001678 Air Manifold Assy. Set             | Druckluftanschluss-set              | Connection pour air comprimé       | Tryklufits Forbindelser         | 19Gallon AS/PE2                    | 1                      |

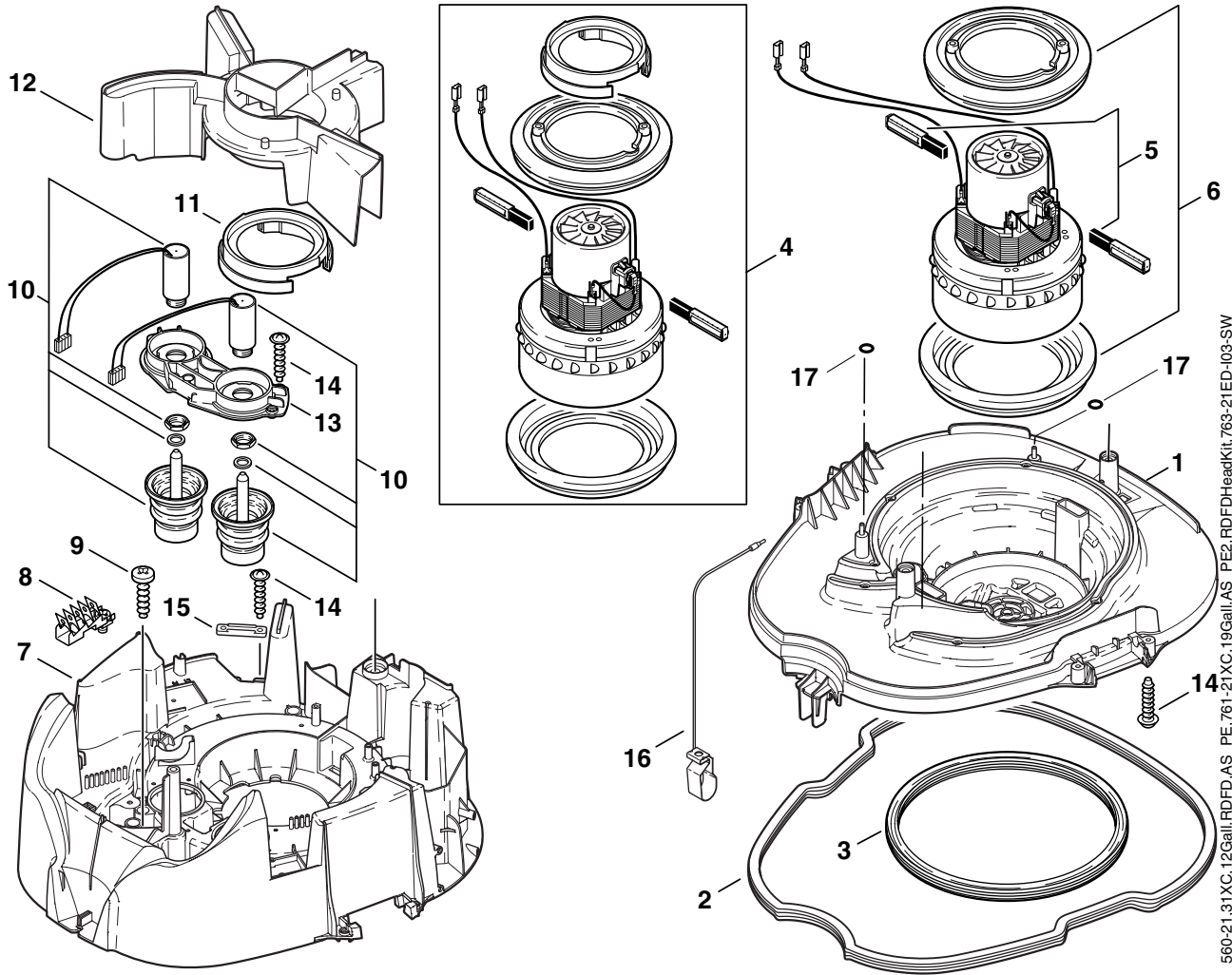
**ATTIX 560-21 XC, 560-31 XC, 12Gallon RDFD, 12Gallon AS/PE, RDFD Head Kit, 761-21 XC, 19Gallon AS/PE2, 763-21 ED**



560-21,31XC,12Gall.RDFD,AS\_PE,761-21XC,19Gall.AS\_PE2,RDFDHeadKit,763-21ED-103-SW

| Pos. | No.       | Description | Bezeichnung                          | Désignation               | Betegnelse                      | Comment<br>Bemerkung<br>Bemærkning  | Rec. Part<br>ATTIX 5,7 |
|------|-----------|-------------|--------------------------------------|---------------------------|---------------------------------|---|------------------------|
| 1    | 302000511 | Base        | Trägerplatte                         | Plaque de support         | Bæreplade                       |   | A 1                    |
| ▼    | 2         | 302000637   | Gasket Container                     | Dichtung Behälter         | Joint réservoir                 | Tætning Beholder  | B 1                    |
| ▼    | 3         | 302000697   | Gasket Filter                        | Dichtung Filter           | Joint filtre                    | Tætning Filter  | B 1                    |
| ▼    | 4         | 26784       | Motor 120V 1200W                     | Motor 120V 1200W          | Moteur 120V 1200W               | Motor 120V 1200W  | A 1                    |
| ▼    | 4         | 49594       | Motor 230V 1200W                     | Motor 230V 1200W          | Moteur 230V 1200W               | Motor 230V 1200W  | A 1                    |
| ▼    | 4         | 62012       | Motor 230V 1400W                     | Motor 230V 1400W          | Moteur 230V 1400W               | Motor 230V 1400W  | A 1                    |
| ▼    | 5         | 26774       | Carbon Brush Set "M"                 | Kohlebürsten-Set "M"      | Jeu de balais de charbon "M"    | Kulkontakt-sæt "M"  | A 1                    |
|      |           |             |                                      |                           |                                 | for identif.letter "M",<br>bei Kennbuchst. "M",<br>pour lettre d'ident. "M",<br>ved bogstav "M"             |                        |
| ▼    | 5         | 26775       | Carbon Brush Set "L"                 | Kohlebürsten-Set "L"      | Jeu de balais de charbon "L"    | Kulkontakt-sæt "L"  | A 1                    |
|      |           |             |                                      |                           |                                 | for identif.letter "L",<br>bei Kennbuchst. "L",<br>pour lettre d'ident. "L",<br>ved bogstav "L"             |                        |
| ▼    | 5         | 49625       | Carbon Brush Set "C"                 | Kohlebürsten-Set "C"      | Jeu de balais de charbon "C"    | Kulkontakt-sæt "C"  | A 1                    |
|      |           |             |                                      |                           |                                 | for identif.letter "C",<br>bei Kennbuchst. "C",<br>pour lettre d'ident. "C",<br>ved bogstav "C"             |                        |
| ▼    | 6         | 28875       | Motor Bearing Ring Set               | Motorlagerring Set        | Jeu d'anneaux de palier         | Motorlejeringsæt  | A 1                    |
|      |           |             |                                      |                           |                                 | for identif.letter "L"+"M",<br>bei Kennbuchst."L"+"M",<br>pour lettre d'ide."L"+"M",<br>ved bogstav "L"+"M" |                        |
| ▼    | 6         | 29205       | Motor Bearing Ring Set Oil-resistant | Motorlagerring Set Ölfest | Jeu d'anneaux résist. à l'huile | Motorlejeringsæt Oliefast   | A 1                    |
|      |           |             |                                      |                           |                                 | for identif.letter "L"+"M",<br>bei Kennbuchst."L"+"M",<br>pour lettre d'ide."L"+"M",<br>ved bogstav "L"+"M" |                        |
| ▼    | 6         | 42538       | Motor Bearing Ring Set EC            | Motorlagerring Set EC     | Jeu d'anneaux de palier EC      | Motorlejeringsæt EC   | A 1                    |
|      |           |             |                                      |                           |                                 | for identif. letter "C",<br>bei Kennbuchst. "C",<br>pour lettre d'ident. "C",<br>ved bogstav "C"            |                        |

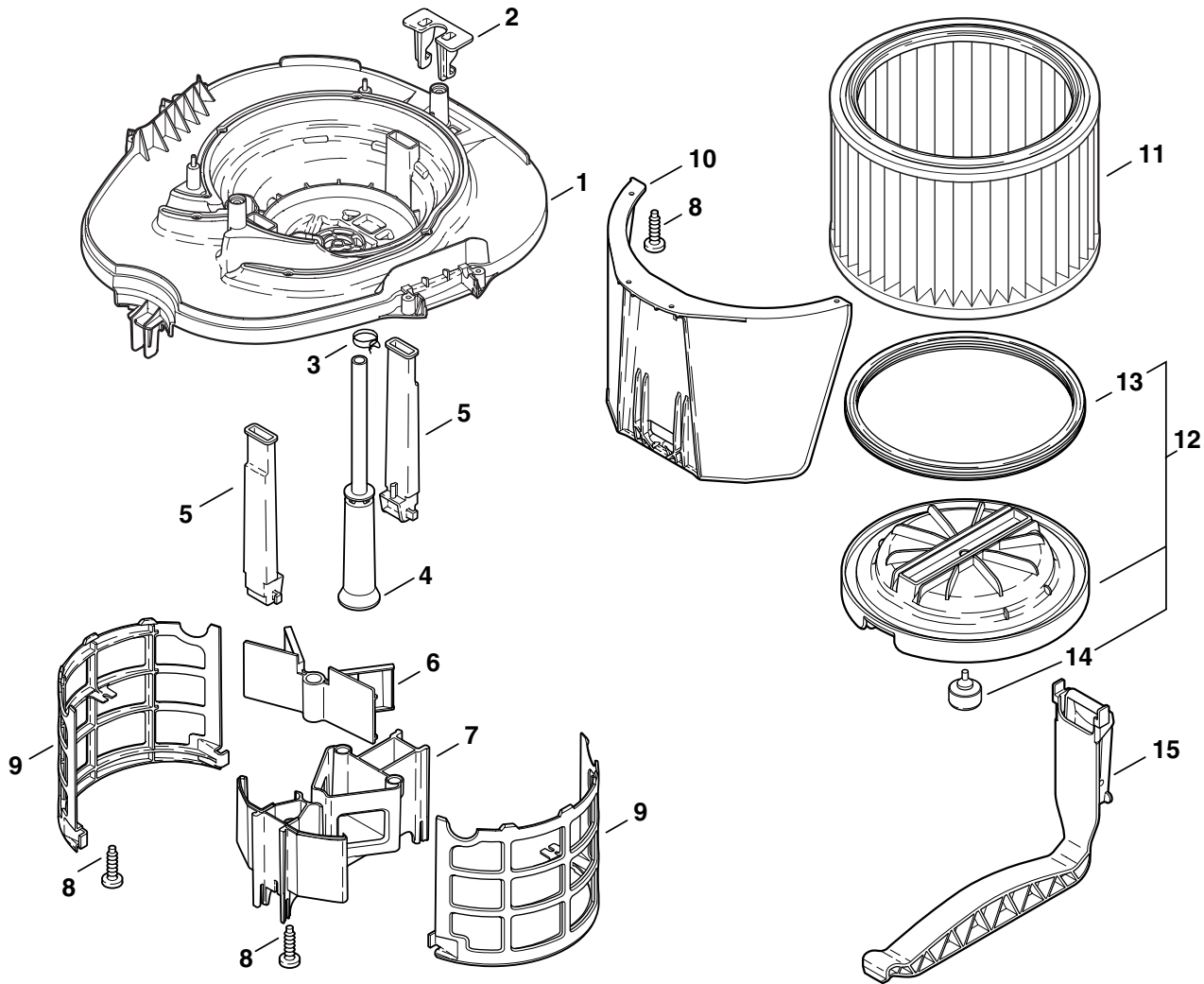
**ATTIX 560-21 XC, 560-31 XC, 12Gallon RDFD, 12Gallon AS/PE, RDFD Head Kit, 761-21 XC, 19Gallon AS/PE2, 763-21 ED**



560-21,31XC,12Gall,RDFD,AS\_PE,761-21XC,19Gall,AS\_PE2,RDFDHeadKit,763-21ED-103-SW

| Pos. | No. | Description                                   | Bezeichnung                  | Désignation                              | Betegnelse                    | Comment<br>Bemerkung<br>Bemærkning   | Rec. Part<br>ATTIX 5,7 |
|------|-----|---|------------------------------|--|-------------------------------|--|------------------------|
| ▼    | 6   | 61167 Motor Bearing Ring Set EC Oil-resistant | Motorlagerring Set EC Ölfast | Jeu d'anneaux de palier EC résist. à l'h | Motorlejrings-sæt EC Oliefast | for identif. letter "C", bei Kennbuchst. "C", pour lettre d'ident."C", ved bogstav "C" | A 1                    |
|      | 7   | 302000381 Supporting plate ATTIX 560          | Spannplatte ATTIX 560        | Plateau de serrage ATTIX 560             | Spændeplade ATTIX 560         |  | 1                      |
|      | 8   | 302000755 Distribution Strip 6-pol. 16A       | Verteilerleiste 6-pol. 16A   | Répartiteur 6-pol. 16A                   | Fordelerliste 6-pol. 16A      |  | 1                      |
|      | 9   | 909100138 Screw 5x20                          | Schraube 5x20                | Vis 5x20                                 | Skrue 5x20                    |  | 6                      |
| ▼    | 10  | 302000010 Electromagnet 24V                   | Elektromagnet 24V            | Électroaimant 24V                        | Elektromagnet 24V             | for, bei, pour, ved 220-240V   | A 2                    |
| ▼    | 10  | 302000217 Electromagnet 12V                   | Elektromagnet 12V            | Électroaimant 12V                        | Elektromagnet 12V             | for, bei, pour, ved 100-120V   | A 2                    |
| ▼    | 11  | 47036 Collar                                  | Manschette                   | Manchette                                | Manchet                       |  | B 1                    |
|      | 12  | 302000373 Air Duct                            | Luftführung                  | Chambre de déflexion                     | Luftføring                    |  | 1                      |
|      | 13  | 302000388 Frame                               | Rahmen                       | Cadre                                    | Ramme                         |  | 1                      |
|      | 14  | 11256 Screw 3.5x18                            | Schraube 3,5x18              | Vis 3,5x18                               | Skrue 3,5x18                  |  | 11                     |
|      | 15  | 5697 Strap 3x8x33                             | Lasche 3x8x33                | Guide 3x8x33                             | Laske 3x8x33                  |  | 1                      |
|      | 16  | 61174 Contact Spring                          | Kontaktfeder                 | Ressort de contact                       | Kontaktfjeder                 |  | 1                      |
|      | 16  | 302000823 Contact Spring *GB*                 | Kontaktfeder *GB*            | Ressort de contact *GB*                  | Kontaktfjeder *GB*            | *GB,230V*  | 1                      |
| ▼    | 17  | 62359 Gasket Ø9xØ4x1                          | Dichtung Ø9xØ4x1             | Joint Ø9xØ4x1                            | Tætning Ø9xØ4x1               |  | B 2                    |

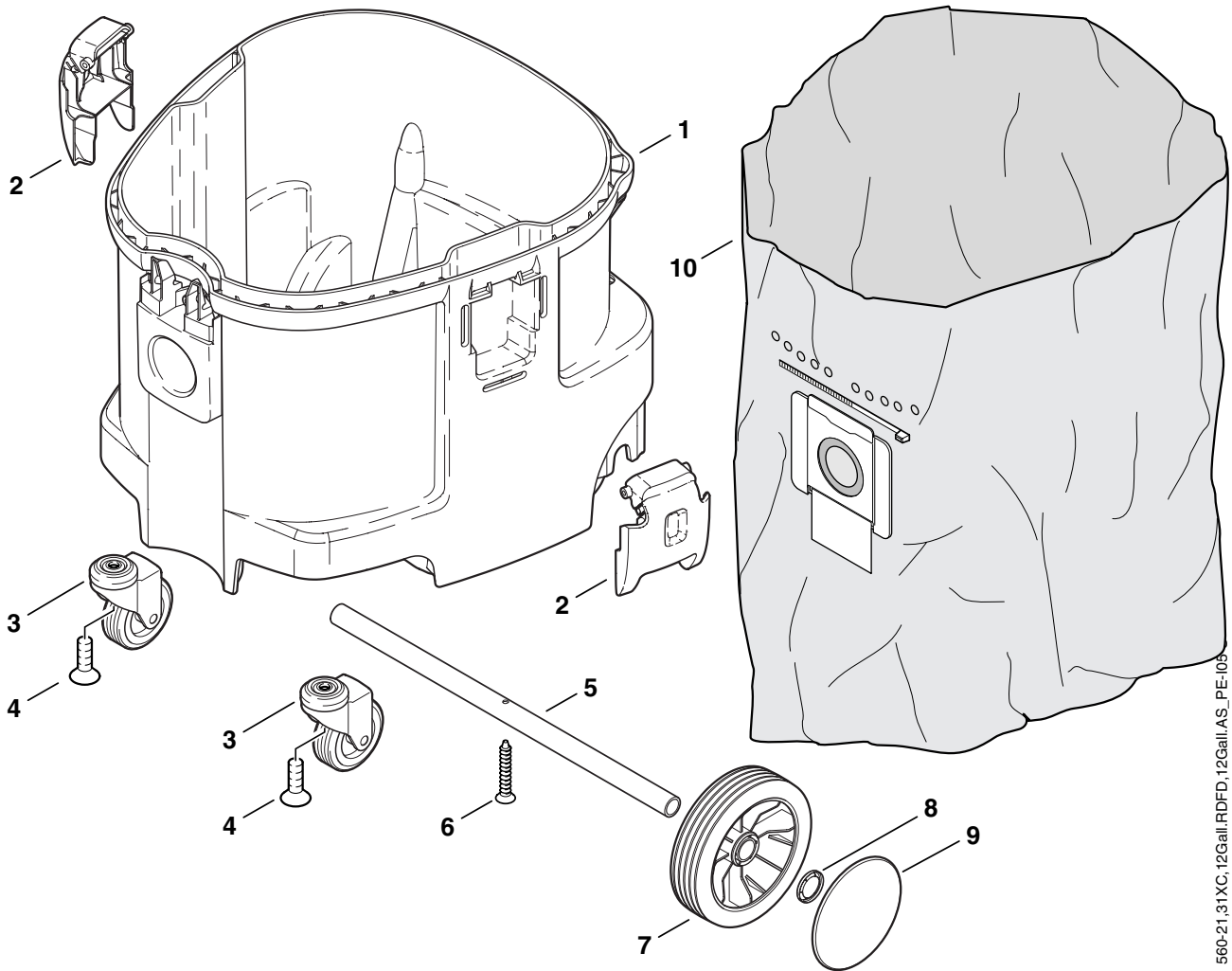
**ATTIX 560-21 XC, 560-31 XC, 12Gallon RDFD, 12Gallon AS/PE, RDFD Head Kit, 761-21 XC, 19Gallon AS/PE2, 763-21 ED**



560-21,31XC,12Gall.RDFD,AS\_PE,761-21XC,19Gall,AS\_PE2,RDFDHeadKit,763-21ED-104-S

| Pos. | No.       | Description                    | Bezeichnung                  | Désignation                        | Betegnelse                    | Comment<br>Bemerkung<br>Remarque<br>Bemærkning                        | Rec. Part<br>ATTIX 5,7 |
|------|-----------|--------------------------------|------------------------------|------------------------------------|-------------------------------|---|------------------------|
| 1    | 302000511 | Base                           | Trägerplatte                 | Plaque de support                  | Bæreplade                     |   | 1                      |
| 2    | 302000512 | Fixation 72x32x52              | Gegenhalter 72x32x52         | Fixation 72x32x52                  | Holder 72x32x52               |   | 1                      |
| 3    | 909100137 | Band Clamp Fitting Ø19         | Drahtschlauchklemme Ø19      | Collier de serrage Ø19             | Trådslangespændebånd Ø19      | not 763-21 ED   | 1                      |
| ▼ 4  | 302001473 | Hose Ø40x396                   | Formschlauch Ø40x396         | Tuyau Ø40x396                      | Slange Ø40x396                | 761-21XC,<br>19Gall,AS/PE2,<br>RDFD Head Kit,<br>not 763-21 ED        | B 1                    |
| ▼ 4  | 303000516 | Hose Ø40x350                   | Formschlauch Ø40x350         | Tuyau Ø40x350                      | Slange Ø40x350                | 560-21XC, 560-31XC,<br>12Gall.RDFD,<br>12Gall,AS/PE,<br>not 763-21 ED | B 1                    |
| ▼ 5  | 302000514 | Gasket                         | Dichtung f.Filtertrennung    | Joint                              | Tætning                       |   | C 2                    |
| 6    | 302000387 | Flap 158x64x68                 | X-Klappe 158x64x68           | Registre 158x64x68                 | X-Klappe 158x64x68            |   | 1                      |
| 7    | 302000386 | Cover 211x151x118              | Deckel 211x151x118           | Couvercle 211x151x118              | Dæksel 211x151x118            |   | 1                      |
| 8    | 909100138 | Screw 5x20                     | Schraube 5x20                | Vis 5x20                           | Skrue 5x20                    |   | 9                      |
| 9    | 302000385 | Filter Support Cage 216x93x177 | Filterstützkorb 216x93x177   | Corbeille de filtre 216x93x177     | Filterstøttekurv 216x93x177   |   | 2                      |
| 10   | 302000383 | Deflector 318x180x212          | Abweiser 318x180x212         | Déflecteur 318x180x212             | Deflektor 318x180x212         |   | 1                      |
| ▼ 11 | 302000726 | Filter Element "L+M" Ø275x182  | Filterelement "L+M" Ø275x182 | Cartouche filtrante "L+M" Ø275x182 | Filter Element "L+M" Ø275x182 |   | A 1                    |
| ▼ 12 | 302000844 | Filter Surface Plate Ø251x74   | Filterspannscheibe Ø251x74   | Filtre plateau de tour Ø251x74     | Filter Plade Ø251x74          |   | B 1                    |
| ▼ 13 | 302000697 | Gasket Filter                  | Dichtung Filter              | Joint filtre                       | Tætning Filter                |   | B 1                    |
| 14   | 302000515 | Plug Ø33x37                    | Stopfen Ø33x37               | Bouchon Ø33x37                     | Prop Ø33x37                   |   | 1                      |
| ▼ 15 | 302000702 | Tension Jack "M"               | Filterspanner "M"            | Tendeur "M"                        | Filter Spænder "M"            |   | B 1                    |

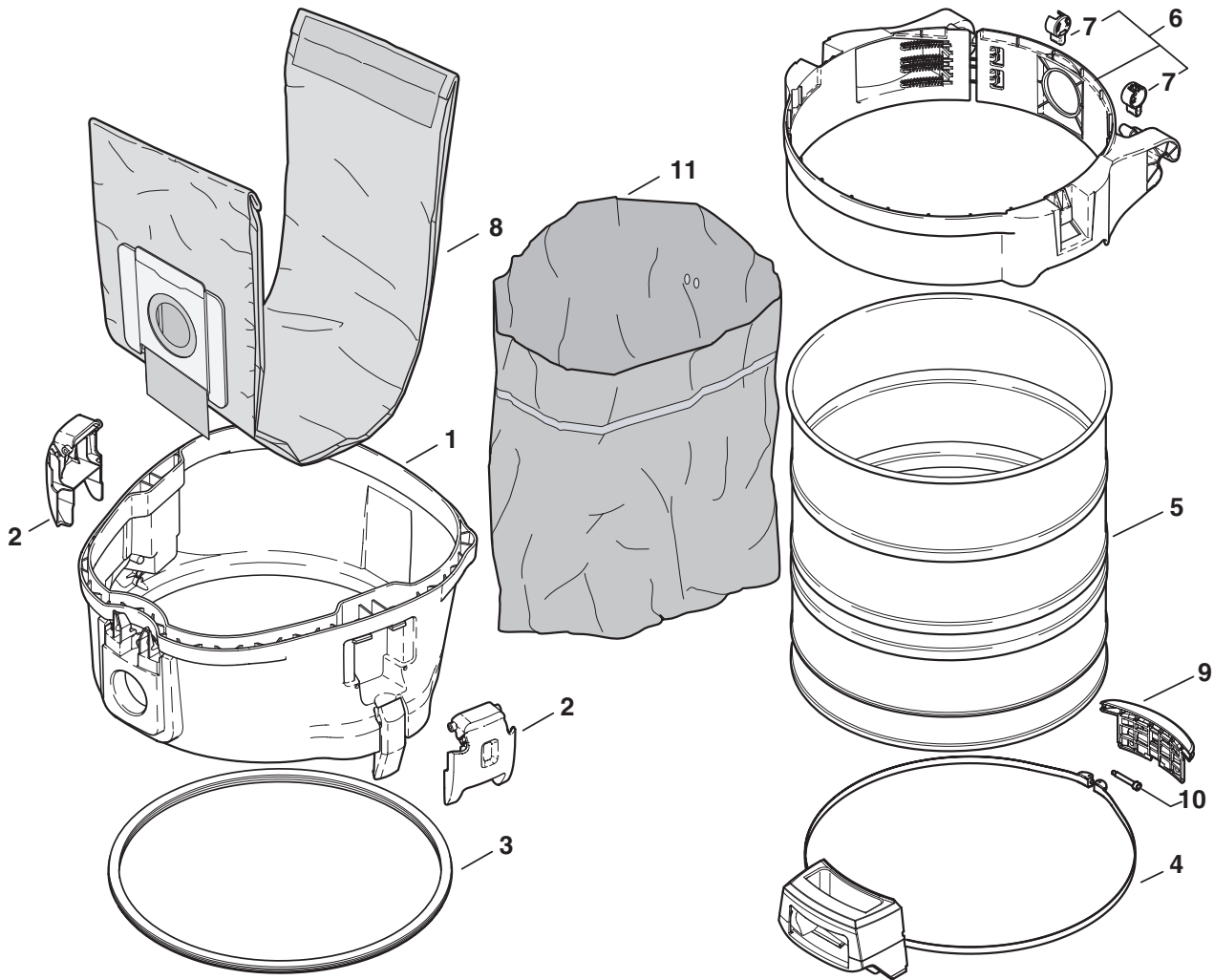
ATTIX 560-21 XC, 560-31 XC, 12Gallon RDFD, 12Gallon AS/PE



560-21,31XC,12Gall.RDFD,12Gall.AS\_PE-108

| Pos. | No.       | Description | Bezeichnung                     | Désignation                 | Betegnelse                         | Comment<br>Bemerkung<br>Bemærkning | Rec. Part<br>ATTIX 5,7 |
|------|-----------|-------------|---------------------------------|-----------------------------|------------------------------------|------------------------------------|------------------------|
| 1    | 302000696 | Container   | Behälter                        | Réservoir                   | Beholder                           |                                    | 1                      |
| ▼    | 2         | 302000349   | Locking Clamp                   | Verschlussklammer           | Crochet de fermeture               | Lukkeklamme                        | B 2                    |
| ▼    | 3         | 302000682   | Guide Roller Ø75x100            | Lenkrolle Ø75x100           | Galet de guidage<br>Ø75x100        | Styrerulle Ø75x100                 | B 2                    |
|      | 4         | 909100164   | Countersunk Screw<br>M8x25      | Senkschraube M8x25          | Vis à tête fraisée M8x25           | Undersænskruer M8x25               | 2                      |
|      | 5         | 302000636   | Axle Ø20x1,5x440                | Achse Ø20x1,5x440           | Essieu Ø20x1,5x440                 | Akse Ø20x1,5x440                   | 1                      |
|      | 6         | 909100085   | Screw 5x35                      | Schraube 5x35               | Vis 5x35                           | Skrue 5x35                         | 1                      |
| ▼    | 7         | 302000639   | Wheel Ø150x20                   | Rad Ø150x20                 | Roue Ø150x20                       | Hjul Ø150x20                       | B 2                    |
| ▼    | 8         | 47302       | Clamping Ring Ø28,6/<br>Ø20x1,3 | Klemmring Ø28,6/<br>Ø20x1,3 | Bague de serrage Ø28,6/<br>Ø20x1,3 | Klemring Ø28,6/Ø20x1,3             | B 2                    |
|      | 9         | 302000701   | Hub Cap Ø115                    | Radkappe Ø115               | Chapeau de roue Ø115               | Hjulkapsel Ø115                    | 2                      |
| ▼    | 10        | 302000728   | Disposal Bag Set5               | Entsorgungssack Set5        | Sac d'évacuation Set5              | Støvpose Set5                      | A 1                    |

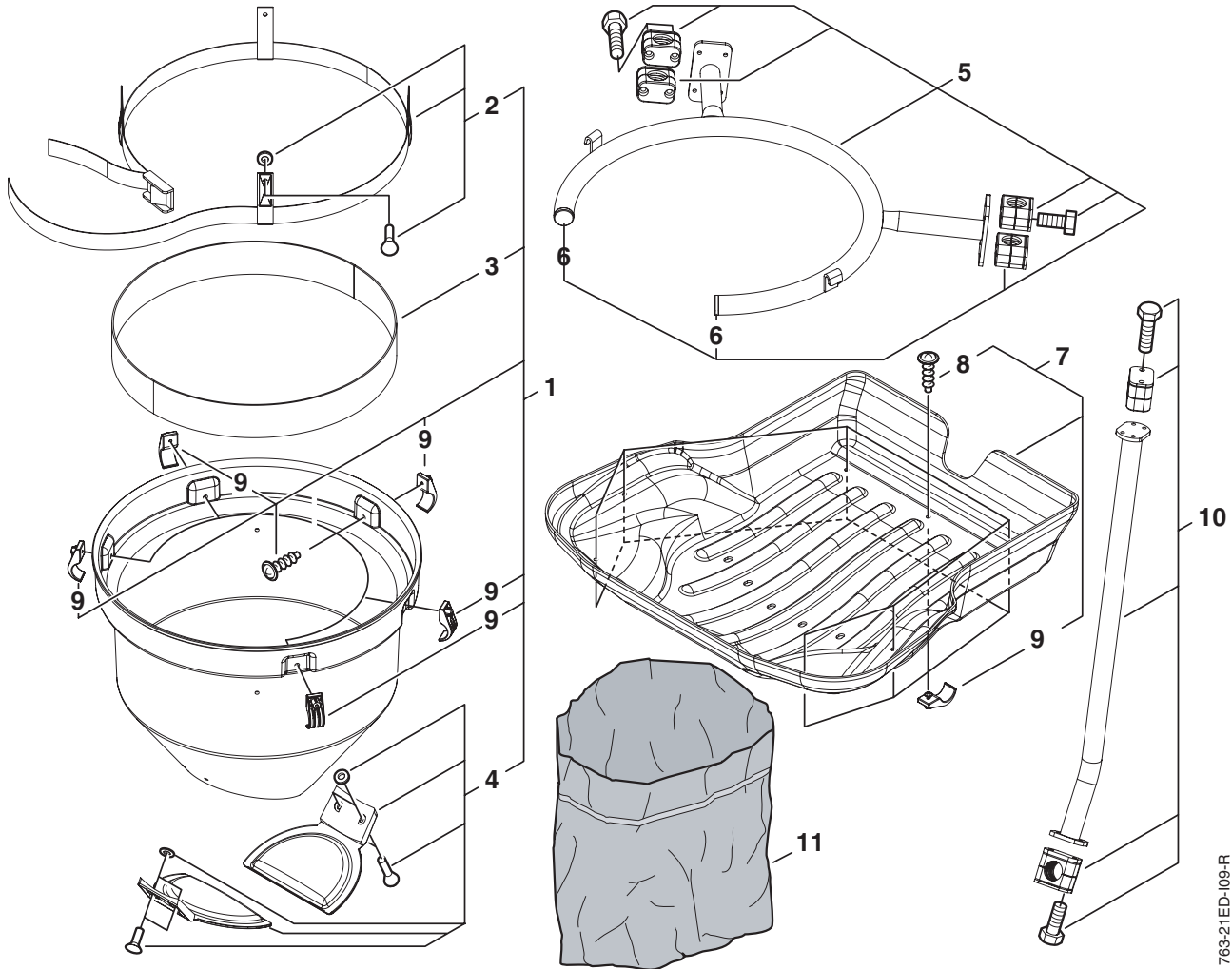
ATTIX 761-21 XC, 19Gallon AS/PE2



761-21XC-19Gall.AS/PE2-107R

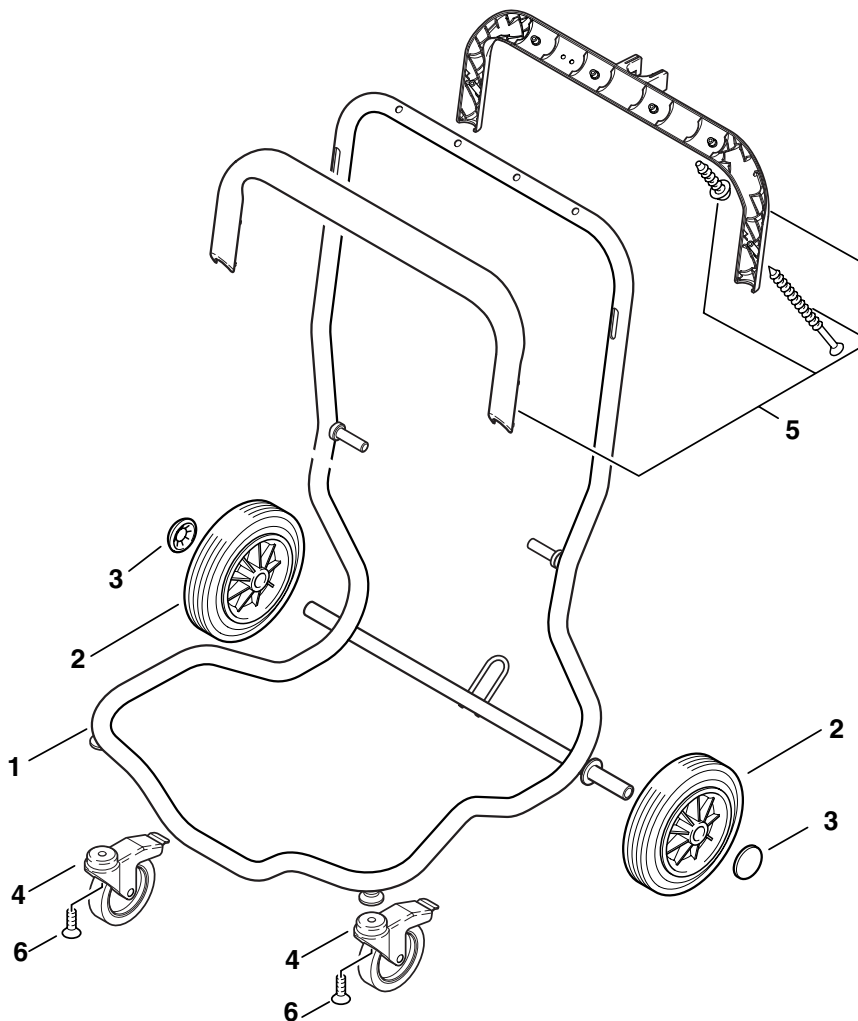
| Pos. | No. | Description | Bezeichnung                   | Désignation                    | Betegnelse                      | Comment<br>Bemerkung<br>Bemærkning | Rec. Part<br>ATTIX 5,7 |
|------|-----|-------------|-------------------------------|--------------------------------|---------------------------------|------------------------------------|------------------------|
|      | 1   | 302001610   | Adapterring                   | Adapteranneau                  | Adapterring                     |                                    | 1                      |
| ▼    | 2   | 302000349   | Locking Clamp                 | Verschlussklammer              | Crochet de fermeture            | Lukkeklamme                        | B 2                    |
| ▼    | 3   | 302001432   | Gasket Container              | Dichtung Behälter              | Joint réservoir                 | Tætning Beholder                   | A 1                    |
| ▼    | 4   | 302001605   | Handle w/ tape                | Griff m. Spannband             | Poignée                         | Håndtag m.Spændebånd               | C 1                    |
|      | 5   | 302001362   | Container                     | Behälter                       | Réservoir                       | Beholder                           | 1                      |
|      | 6   | 302001704   | Belt Container Ø480 Set1      | Gürtel Ø480 Set1               | Ceinture Ø480 Set1              | Beholder Bælte Ø480 Set1           | 1                      |
|      | 7   | 302001441   | Interlock                     | Verriegelung                   | Verrouillage                    | Beholder Lås                       | 2                      |
| ▼    | 8   | 302001484   | Filter Bag Set [5x] "ATTIX 7" | Filtersack Set [5x] "ATTIX 7"  | Sac-filtre Set [5x] "ATTIX 7"   | Filterpose Set [5x] "ATTIX 7"      | A 1                    |
| ▼    | 9   | 302001363   | Holder 155x55x35              | Anschlag 155x55x35             | Support 155x55x35               | Anslag 155x55x35                   | C 1                    |
|      | 10  | 302001613   | Screw M5x35x5                 | Zylinderschraube M5x35x5       | Vis M5x35x5                     | Skrue M5x35x5                      | 1                      |
| ▼    | 11  | 302001480   | Disposal Bag Set5 "ATTIX 7"   | Entsorgungssack Set5 "ATTIX 7" | Sac d'évacuation Set5 "ATTIX 7" | Støvpose Set5 "ATTIX 7"            | A 1                    |

ATTIX 763-21 ED



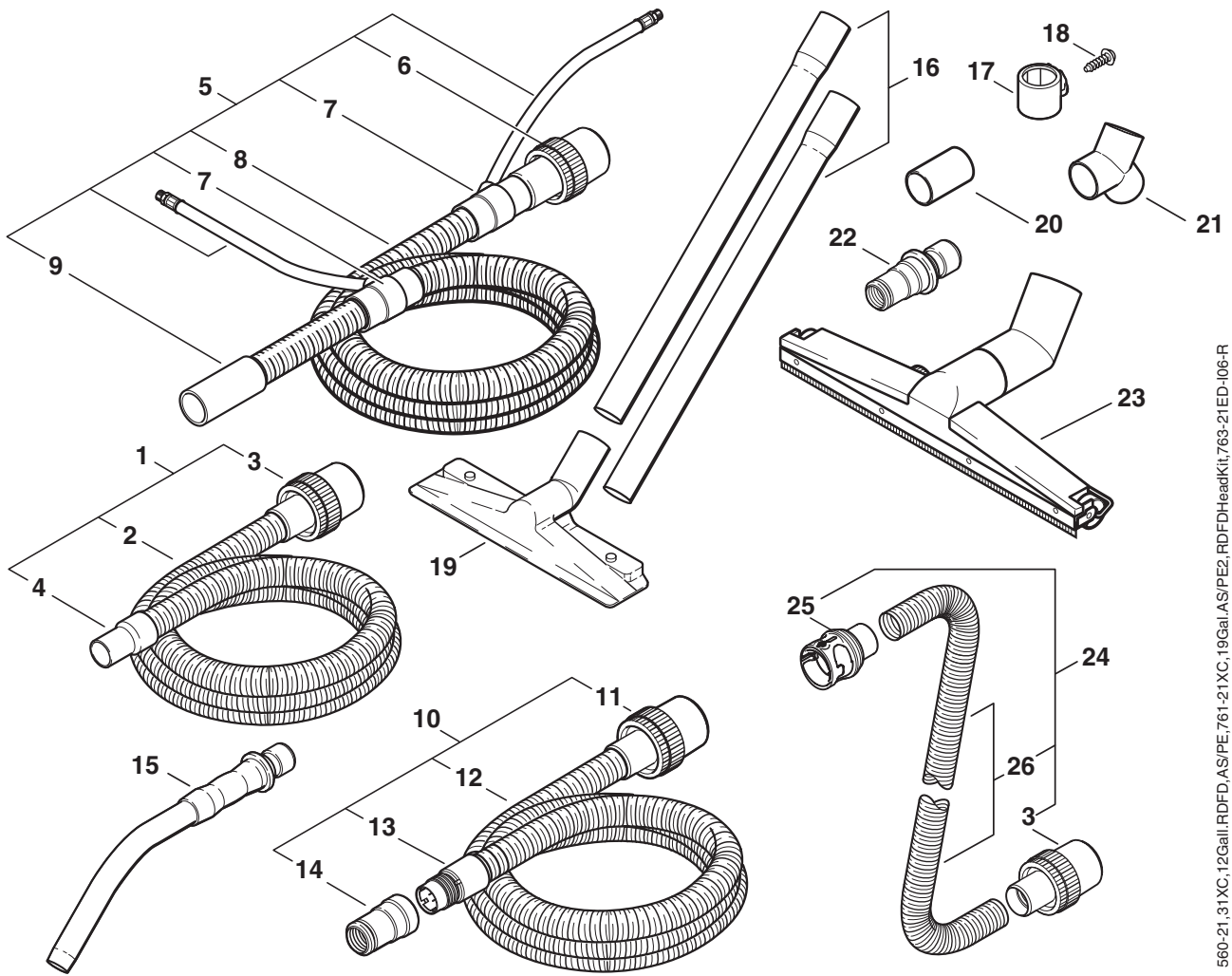
763-21ED-109-R

| Pos. | No. | Description | Bezeichnung                     | Désignation                        | Betegnelse                          | Comment<br>Bemerkung<br>Bemærkning | Rec. Part<br>ATTIX 5,7 |     |
|------|-----|-------------|---------------------------------|------------------------------------|-------------------------------------|------------------------------------|------------------------|-----|
|      | 1   | 302002021   | Container                       | Absackbehälter                     | Réservoir                           | Beholder                           |                        | 1   |
| ▼    | 2   | 302002020   | Tightening Strap                | Spannband                          | Jeu de serrage                      | Spændebånd                         |                        | B 1 |
| ▼    | 3   | 302002001   | Gasket 1115x50x2,5              | Dichtung 1115x50x2,5               | Joint 1115x50x2,5                   | Pakning 1115x50x2,5                |                        | A 1 |
| ▼    | 4   | 302002022   | Flap                            | Verschlussklappe                   | Obturateur                          | Støv Klappe                        |                        | C 1 |
|      | 5   | 302002023   | Rack                            | Tragegestell                       | Rack                                | Ramme                              |                        | 1   |
|      | 6   | 302002006   | Plug Ø25                        | Stopfen Ø25                        | Bouchon Ø25                         | Prop Ø25                           |                        | 2   |
|      | 7   | 302002025   | Sacking Trough                  | Absackwanne                        | Bac                                 | Kasse                              |                        | 1   |
|      | 8   | 10028       | Screw 5x14                      | Schraube 5x14                      | Vis 5x14                            | Skrue 5x14                         |                        | 7   |
| ▼    | 9   | 302001898   | Screw Hook 50x17x20             | Schraubhaken 50x17x20              | Boulon m à croc 50x17x20            | Skrue Holder 50x17x20              |                        | 12  |
|      | 10  | 302002024   | Brace                           | Stützfuss                          | Appui                               | Støtte Rør                         |                        | 2   |
| ▼    | 11  | 302001629   | Disposal Bag Set20 "ATTIX 7 ED" | Entsorgungssack Set20 "ATTIX 7 ED" | Sac d'évacuation Set20 "ATTIX 7 ED" | Støvpose Set20 "ATTIX 7 ED"        |                        | A 1 |



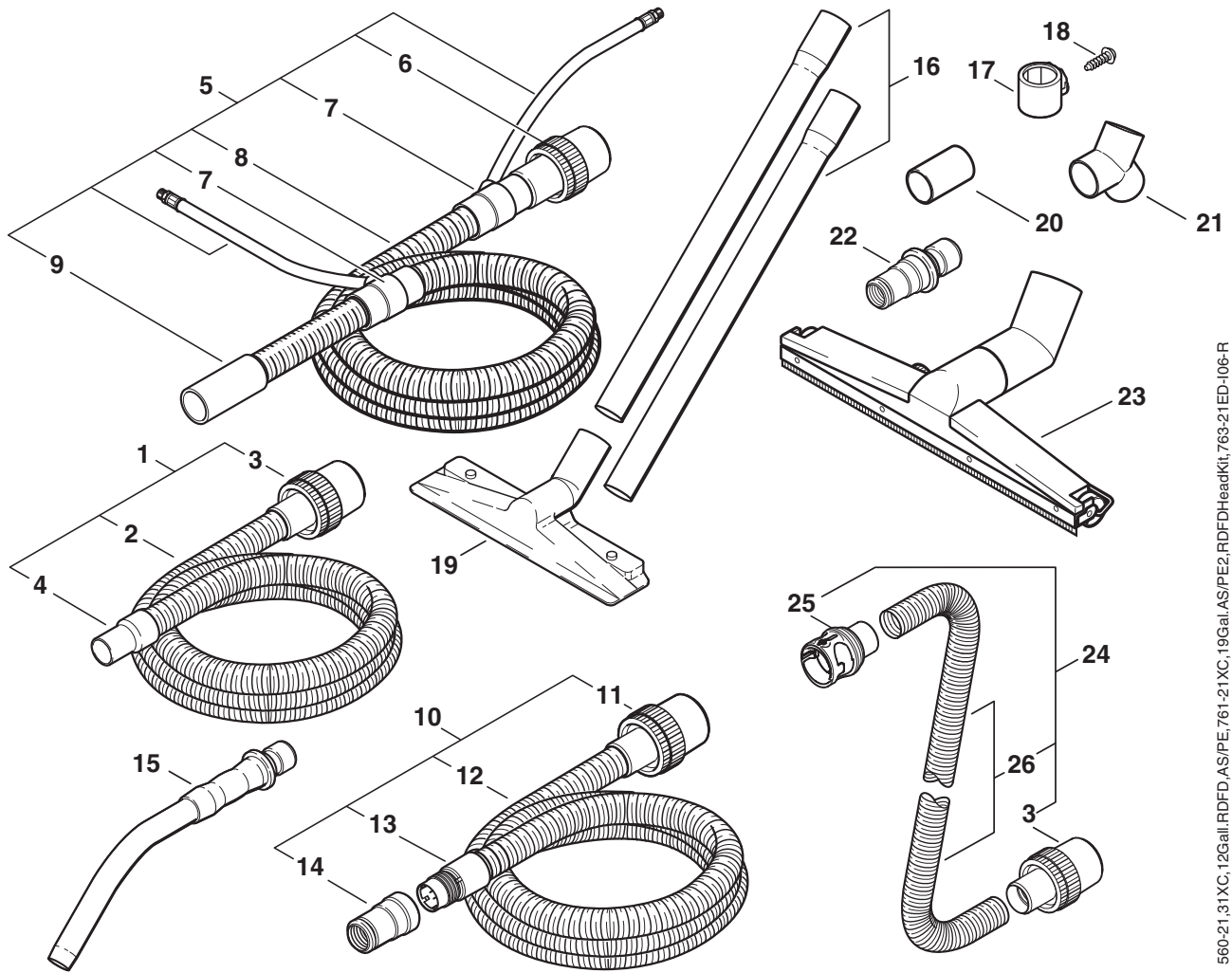
761-21XC, 19Gall,AS/PE2,763-21ED-108-S

| Pos. | No.       | Description             | Bezeichnung        | Désignation              | Betegnelse           | Comment<br>Bemerkung<br>Bemærkning | Rec. Part<br>ATTIX 5,7 |
|------|-----------|-------------------------|--------------------|--------------------------|----------------------|------------------------------------|------------------------|
| 1    | 302001437 | Base Frame              | Grundrahmen        | Châssis                  | Chassis              |                                    | 1                      |
| ▼ 2  | 302000334 | Wheel Ø200x45           | Rad Ø200x45        | Roue Ø200x45             | Hjul Ø200x45         |                                    | B 2                    |
| ▼ 3  | 3750      | Cap Ø20                 | Klemmkappe Ø20     | Clip Ø20                 | Klemkappe Ø20        |                                    | B 2                    |
| ▼ 4  | 2011054   | Castor Ø100             | Lenkrolle Ø100     | Roulette pivotante Ø100  | Drejehjul Ø100       |                                    | B 2                    |
| 5    | 302001706 | Handle Set1             | Griffschale Set1   | Poignée Set1             | Håndtag Set1         |                                    | 1                      |
| 6    | 24310     | Countersunk Screw M8x16 | Senkschraube M8x16 | Vis à tête fraisée M8x16 | Undersænkskrue M8x16 |                                    | 2                      |



560-21,31XC,12GalI,ROFD,AS/PE,761-21XC,19Gal,AS/PE2,ROFDHeadKit,763-21ED-106-R

| Pos. | No. | Description                                    | Bezeichnung                          | Désignation                             | Betegnelse                        | Comment<br>Bemerkung<br>Bemærkning | Rec. Part<br>ATTIX 5,7 |
|------|-----|--|--------------------------------------|---|-----------------------------------|------------------------------------|------------------------|
| ▼    | 1   | 15805 Suction Hose Ø36x3000 Compl.             | Saugschlauch Ø36x3000 Kpl.           | Flexible d'aspiration Ø36x3000 Compl.   | Sugeslange Ø36x3000 Kpl.          |                                    | C                      |
| ▼    | 2   | 11985 Suction Hose Ø36                         | Saugschlauch Ø36                     | Flexible d'aspiration Ø36               | Sugeslange Ø36                    |                                    | C                      |
| ▼    | 3   | 15102 Hose Sleeve Ø36/50 Rotating              | Muffe Ø36/50 Drehbar                 | Manchon tournant Ø36/50                 | Muffe Ø36/50 Drejbar              |                                    | C                      |
| ▼    | 4   | 11597 Hose Sleeve Ø36                          | Muffe Ø36                            | Manchon Ø36                             | Muffe Ø36                         |                                    | C                      |
| ▼    | 5   | 26601 Coaxial Suction Hose Ø32                 | Schlauch-Garnitur Ø32                | Flexible Inject/Extract. Ø32            | Sugeslange Ø32                    |                                    | C                      |
| ▼    | 6   | 30928 Hose Sleeve Ø32/50 Rotating              | Muffe Ø32/50 Drehbar                 | Manchon Tournant Ø32/50                 | Muffe Ø32/50 Drejbar              |                                    | C                      |
| ▼    | 7   | 26309 Hose Sleeve Ø32                          | Muffe m.Abzweig Ø32                  | Manchon Ø32                             | Muffe Ø32                         |                                    | C                      |
| ▼    | 8   | 43502 Suction Hose Ø32                         | Saugschlauch AS Ø32                  | Flexible d'aspiration Ø32               | Sugeslange Ø32                    |                                    | C                      |
| ▼    | 9   | 60033 Hose Sleeve Ø32                          | Muffe Ø32                            | Manchon Ø32                             | Muffe Ø32                         |                                    | C                      |
| ▼    | 10  | 15325 Suction Hose Ø27x3500 Compl.             | Saugschlauch Ø27x3500 Kpl.           | Flexible d'aspiration Ø27x3500 Compl.   | Sugeslange Ø27x3500 Kpl.          |                                    | C                      |
| ▼    | 11  | 15369 Hose Sleeve Ø27/50 Rotating              | Muffe Ø27/50 Drehbar                 | Manchon tournant Ø27/50                 | Muffe Ø27/50 Drejbar              |                                    | C                      |
| ▼    | 12  | 15326 Suction Hose Ø27                         | Saugschlauch Ø27                     | Flexible d'aspiration Ø27               | Sugeslange Ø27                    |                                    | C                      |
| ▼    | 13  | 63509 Hose Sleeve Ø27                          | Gewindehülse + Schlauchstück Ø27     | Manchon Ø27                             | Muffe Ø27                         |                                    | C                      |
| ▼    | 14  | 18195 Hose Sleeve Ø27                          | Muffe Ø27                            | Manchon Ø27                             | Muffe Ø27                         |                                    | C                      |
| ▼    | 15  | 46691 Curved Hand Tube DN35 Stainless          | Handrohr Gebogen DN35 VA             | Manche coudé DN35 Inox                  | Griberør Bøjet DN35 RF            |                                    | C                      |
| ▼    | 15  | 302000528 Curved Hand Tube Ø36 Chromium-plated | Handrohr Gebogen Ø36 Stahl Verchromt | Manche coudé Ø36 acier chromé           | Griberør Bøjet Ø36 Stål Forkromet |                                    | C                      |
| ▼    | 16  | 15546 Suction Pipe Ø36x1000 Set [2] Stainless  | Saugrohr Ø36x1000 Set [2] VA         | Tube d'aspiration Ø36x1000 Set [2] Inox | Lige Rør Ø36x1000 Set [2] RF      |                                    | C                      |



560-21,31XC,12Gall.RDFD,AS/PE,761-21XC,19Gal,AS/PE2,RDFDHeadKit,763-21ED-106-R

| Pos. | No. | Description                                       | Bezeichnung                             | Désignation                             | Betegnelse                              | Comment<br>Bemerkung<br>Bemærkning | Rec. Part<br>ATTIX 5,7 |
|------|-----|---|---|---|---|------------------------------------|------------------------|
| ▼    | 16  | 302000529 Suction Pipe Ø36x1100 Set [2] Chromium- | Saugrohr Ø36x1100 Set [2] Stahl Verchro | Tube d'aspiration Ø36x1100 Set [2] acie | Lige Rør Ø36x1100 Set [2] Stål Forkrome |                                    | C                      |
| ▼    | 17  | 28546 Bracket                                     | Zubehörhalter                           | Support accessoire                      | Tilbehørholder                          |                                    | C                      |
| ▼    | 18  | 12400 Screw 3,5x13                                | Blechschaube 3,5x13                     | Vis 3,5x13                              | Skrue 3,5x13                            |                                    | C                      |
| ▼    | 19  | 5147 Floor Nozzle                                 | Bodendüse Alu                           | Buse de sol                             | Gulvmundstykke                          |                                    | C                      |
| ▼    | 20  | 15953 Direct Connection                           | Direktanschluss Ø50                     | Manchon Ø50                             | Muffe Ø50                               |                                    | C                      |
| ▼    | 21  | 15331 Distributor Ø50                             | Sternverteiler Ø50                      | Distributeur Ø50                        | 3-vejs Fordeler Ø50                     |                                    | C                      |
| ▼    | 22  | 302000535 Tool Socket Ø27                         | Werkzeugmuffe Ø27                       | Raccord d'outil Ø27                     | Værktøjsmuffe Ø27                       |                                    | C                      |
| ▼    | 23  | 15348 Floor Nozzle with Brushes Ø36               | Bodendüse mit Bürsten Ø36               | Buse de sol Ø36                         | Gulvmundstykke Ø36                      |                                    | C                      |
| ▼    | 24  | 302001682 Suction Hose Ø36x5000 Compl.            | Saugschlauch Ø36x5000 Kpl.              | Flexible d'aspiration Ø36x5000 Compl.   | Sugeslange Ø36x5000 Kpl.                |                                    | C                      |
| ▼    | 25  | 302001341 Hose Sleeve Ø36                         | Muffe Ø36                               | Manchon Ø36                             | Muffe Ø36                               |                                    | C                      |
| ▼    | 26  | 15312 Suction Hose Ø36                            | Saugschlauch Ø36 Antistatik             | Flexible d'aspiration Ø36               | Sugeslange Ø36                          |                                    | C                      |

# Nilfisk ALTO

Why Compromise

[www.nilfisk-alto.com](http://www.nilfisk-alto.com)

## HEADQUARTER

### DENMARK

Nilfisk-Advance Group  
Sognevej 25  
2605 Brøndby  
Denmark  
Tel.: (+45) 4323 8100  
Fax: (+45) 4343 7700  
E-mail: [mail@nilfisk-advance.dk](mailto:mail@nilfisk-advance.dk)

## SUBSIDIARIES

### AUSTRALIA

Nilfisk-ALTO  
48 Egerton St.  
PO box 6046  
Silverwater NSW 2128  
Australia  
Tel.: (+61) 2 8748 5966  
Fax: (+61) 2 8748 5960

### AUSTRIA

ALTO Österreich GmbH  
Nilfisk-Advance AG  
Metzgerstrasse 68  
5101 Bergheim/Salzburg  
Austria  
Tel.: (+43) 662 456 400 11  
Fax: (+43) 662 456 400 34  
E-mail: [verkauf@nilfisk-alto.at](mailto:verkauf@nilfisk-alto.at)  
[www.nilfisk-alto.at](http://www.nilfisk-alto.at)

### BRASIL

Wap do Brasil Ltda.  
Rua das Palmeiras,  
350-Bairro Capela Velha  
83.705-500 – Araucária - Paraná  
Brasil  
Tel.: (+55) 41 2106 7400  
Fax: (+55) 41 2106 7403/7404  
E-mail: [wap@wapdobrasil.com.br](mailto:wap@wapdobrasil.com.br)

### CANADA

ALTO Canada  
24 Constellation Road  
Rexdale  
Ontario M9W 1K1  
Canada  
Tel.: (+1) 416 675 5830  
Fax: (+1) 416 675 6989

### CHINA

Nilfisk-Advance (Shenzhen) Ltd  
Blok 3, Unit 130, 1001 Honghua Road  
Int. Commercial & Trade Center  
Fuitian Free Trade Zone  
518038 Shenzhen  
P.R. China  
Tel.: (+86) 755 8359 7937  
Fax: (+86) 755 8359 1063

### CZECH REPUBLIC

ALTO Česká republika s.r.o.  
Zateckých 9  
14000 Praha 4  
Czech Republic  
Tel.: (+420) 24 1408 419  
Fax: (+420) 24 1408 439  
E-mail: [wap\\_p@mbox.vol.cz](mailto:wap_p@mbox.vol.cz)

### DENMARK

Nilfisk-ALTO  
Division of Nilfisk-Advance A/S  
Industrivej 1  
9560 Hadsund  
Denmark  
Tel.: (+45) 7218 2100  
Fax: (+45) 7218 2105  
E-mail: [salg@nilfisk-alto.dk](mailto:salg@nilfisk-alto.dk)  
E-mail: [service@nilfisk-alto.dk](mailto:service@nilfisk-alto.dk)  
[www.nilfisk-alto.dk](http://www.nilfisk-alto.dk)

Nilfisk-ALTO Food Division  
Division of Nilfisk-Advance A/S  
Blytækkervej 2,  
9000 Aalborg  
Denmark  
Tel.: (+45) 7218 2100  
Fax: (+45) 7218 2099  
E-mail: [scanio.technology@nilfisk-alto.dk](mailto:scanio.technology@nilfisk-alto.dk)  
[www.nilfisk-alto.com](http://www.nilfisk-alto.com)

### FRANCE

Nilfisk-ALTO  
ALTO France SA  
Aéroparc 1  
19 rue Icare  
67960 Entzheim  
France  
Tel.: (+33) 3 8828 8400  
Fax: (+33) 3 8830 0500  
E-mail: [info@nilfisk-alto-fr](mailto:info@nilfisk-alto-fr)  
[www.nilfisk-alto.com](http://www.nilfisk-alto.com)

### GERMANY

Nilfisk-Advance AG  
Geschäftsbereich Nilfisk-ALTO  
Guido-Oberdorfer-Straße 10  
89287 Bellenberg  
Tel.: (+49) 0180 5 37 37 37  
Fax: (+49) 0180 5 37 37 38  
E-mail: [info@nilfisk-alto.de](mailto:info@nilfisk-alto.de)  
Web: [www.nilfisk-alto.de](http://www.nilfisk-alto.de)

### GREAT BRITAIN

Nilfisk-ALTO  
Division of Nilfisk-Advance Ltd.  
Bowerbank Way  
Gilwilly Industrial Estate  
Penrith Cumbria CA11 9BQ  
Great Britain  
Tel.: (+44) 1 768 86 8995  
Fax: (+44) 1 768 86 4713  
E-mail: [sales@nilfisk-alto.co.uk](mailto:sales@nilfisk-alto.co.uk)  
[www.nilfisk-alto.co.uk](http://www.nilfisk-alto.co.uk)

### HOLLAND

Nilfisk-ALTO  
Division of Nilfisk-Advance BV  
Camerastraat 9  
NL-1322 BB Almere  
Tel.: (+31) 36 5460 760  
Fax: (+31) 36 5460 761  
E-mail: [info@nilfisk-alto.nl](mailto:info@nilfisk-alto.nl)  
[www.nilfisk-alto.nl](http://www.nilfisk-alto.nl)

### HONG KONG

Nilfisk-Advance Ltd.  
2001 HK Worsted Mills Ind'l Bldg.,  
31-39 Wo Tong Tsui St.  
Kwai Chung, Hong Kong  
Tel.: (+852) 2427 5951  
Fax: (+852) 2487 5828

### HUNGARY

Kvantor ITB KFT  
II. Rakoczi F. UT. 10  
2310 Szigetszentmiklos-Lakihegy  
Hungary  
Tel.: (+36) 2447 5550  
Fax: (+36) 2447 5551  
E-mail: [nilfisk@kvantor-itb.hu](mailto:nilfisk@kvantor-itb.hu)

### JAPAN

Nilfisk-Advance Inc.  
247 Nippa-cho, Kouhoku-ku  
Yokohama, 223-0057  
Japan  
Tel.: (+8145) 548 2571  
Fax: (+8145) 548 2541

### MALAYSIA

Nilfisk-Advance Sdn Bhd  
No. 1011, Block A4  
Leisure Commerce Square  
No. 9, Jalan PJS 8/9  
46150 Petaling Jaya  
Selangor, Malaysia  
Tel.: (+60) 3 603 7876 4222  
Fax: (+60) 3 603 7876 3878

### NORWAY

ALTO Norge AS  
Bjørnerudveien 24  
1266 Oslo  
Norway  
Tel.: (+47) 22 5 1770  
Fax: (+47) 2275 1771  
E-mail: [info@nilfisk-alto.no](mailto:info@nilfisk-alto.no)  
[www.nilfisk-alto.no](http://www.nilfisk-alto.no)

### PORTUGAL

Nilfisk-ALTO  
Division of Nilfisk-Advance S.A.  
Sintra Business Park  
Zona Industrial Da Abrunheira  
Edifício 1, 1º A  
P-2710-089 Sintra  
Tel.: (+35) 121 911 2670  
Fax: (+35) 121 911 2679

### SINGAPORE

Nilfisk-Advance Pte. Ltd.  
Nilfisk-ALTO Division  
40 Loyang Drive  
Singapore 508961  
[sales@nilfisk-advance.com.sg](mailto:sales@nilfisk-advance.com.sg)  
Tel.: (+65) 6 759 9100  
Fax: (+65) 6 759 9133

### SPAIN

Nilfisk-ALTO  
Division of Nilfisk-Advance  
S.A.  
Torre D´Ara  
Paseo del Rengle, 5 Pl. 10  
08302 Mataró Barcelona  
Spain  
Tel.: (+34) 93 741 2400  
Fax: (+34) 93 757 8020  
E-mail: [info@nilfisk-alto.es](mailto:info@nilfisk-alto.es)  
[www.nilfisk-alto.com](http://www.nilfisk-alto.com)

### SWEDEN

ALTO Sverige AB  
Aminogatan 18, Box 40 29  
431 04 Mölndal  
Sweden  
Tel.: (+46) 31 706 7300  
Fax: (+46) 31 706 7341  
E-mail: [info@nilfisk-alto.se](mailto:info@nilfisk-alto.se)  
[www.nilfisk-alto.se](http://www.nilfisk-alto.se)

### TAIWAN

Nilfisk-Advance Ltd.  
Taiwan Branch (H.K.)  
1F, No. 193, Sec.2  
Xing Long Rd., Taipei  
Taiwan, R.O.C.  
Tel.: (+886) 2 2239 8812  
Fax: (+886) 2 2239 8832

### THAILAND

Nilfisk-Advance Co. Ltd.  
89 Soi Chokechai-Ruammitr  
Viphavadee-Rangsit Road  
Ladyao, Jatuchak, Bangkok 10900  
Thailand  
Tel.: (+66) 2 275 5630  
Fax: (+66) 2 691 4079

### USA:

ALTO Cleaning Systems Inc.  
Part of the Nilfisk-Advance Group  
12249 Nations Ford Road  
Pineville, NC 28134  
USA  
Tel.: (+1) 704 971 1240  
Fax: (+1) 704 971 1241  
E-mail: [info@altocsi.com](mailto:info@altocsi.com)  
[www.nilfisk-alto.com](http://www.nilfisk-alto.com)