



Electronic Service Manuals

This electronic document is provided as a service to our customers. We do not create the contents of the information contained in this document. Should you have detailed questions pertaining to the information contained in this document, you may contact Michco, or the manufacturer which provided the original information in this electronic deliverable. Michco's only part in this electronic deliverable was the electronic assembly process. By providing this manual on line we are not guaranteeing parts availability.

You may contact Michco through the following methods:

Phone (517) 484-9312 or (800) 331-3339

2011 N. High St. -- Lansing, Michigan -- 48906

Fax: (517) 484-9836

Email: CustServe@Michco.com

Web site: www.Michco.Com

Parts Web site: www.FloorMachineParts.Com

Order Parts on Line at:

www.FloorMachineParts.Com

Directly to Parts & Service:

By Email: **Shop@Michco.com**

By Fax: (517) 702-2041

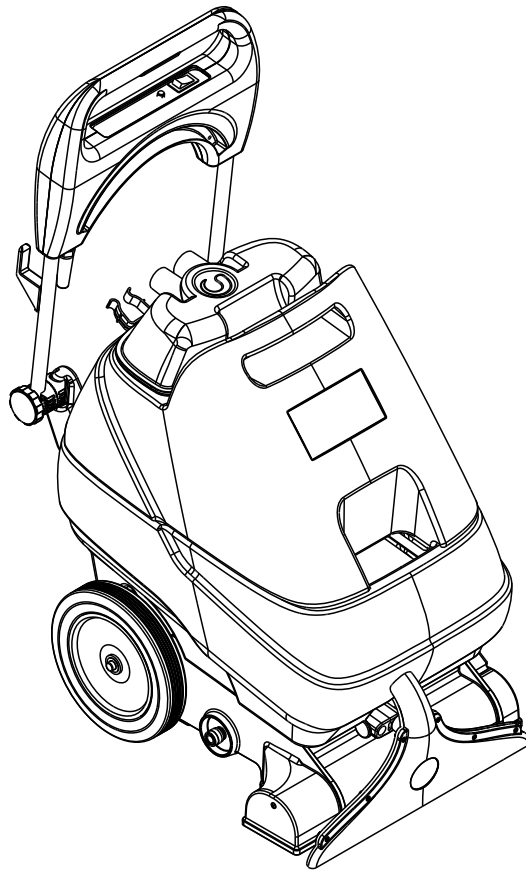
By Voice: Use numbers above.

Serving the Cleaning Industry Since 1922

Notice: All copyrighted material remains property of original owners, all trademarks are property of respective owners. Manuals are subject to Manufacturer's reproduction limitations. Originals or reproductions were provided by manufacturers through a request. We make no warranty as to the correctness of information provided in this document and you assume all risk. By placing these manuals on line we are not declaring our corporation to be an manufacturer authorized dealer or provider, please check our web site for authorized manufacturers we represent.

Clarke®

Clean Track S16, L18



Parts List

Models: 56382723 (S16), 56382724 (L18)

TABLE OF CONTENTS

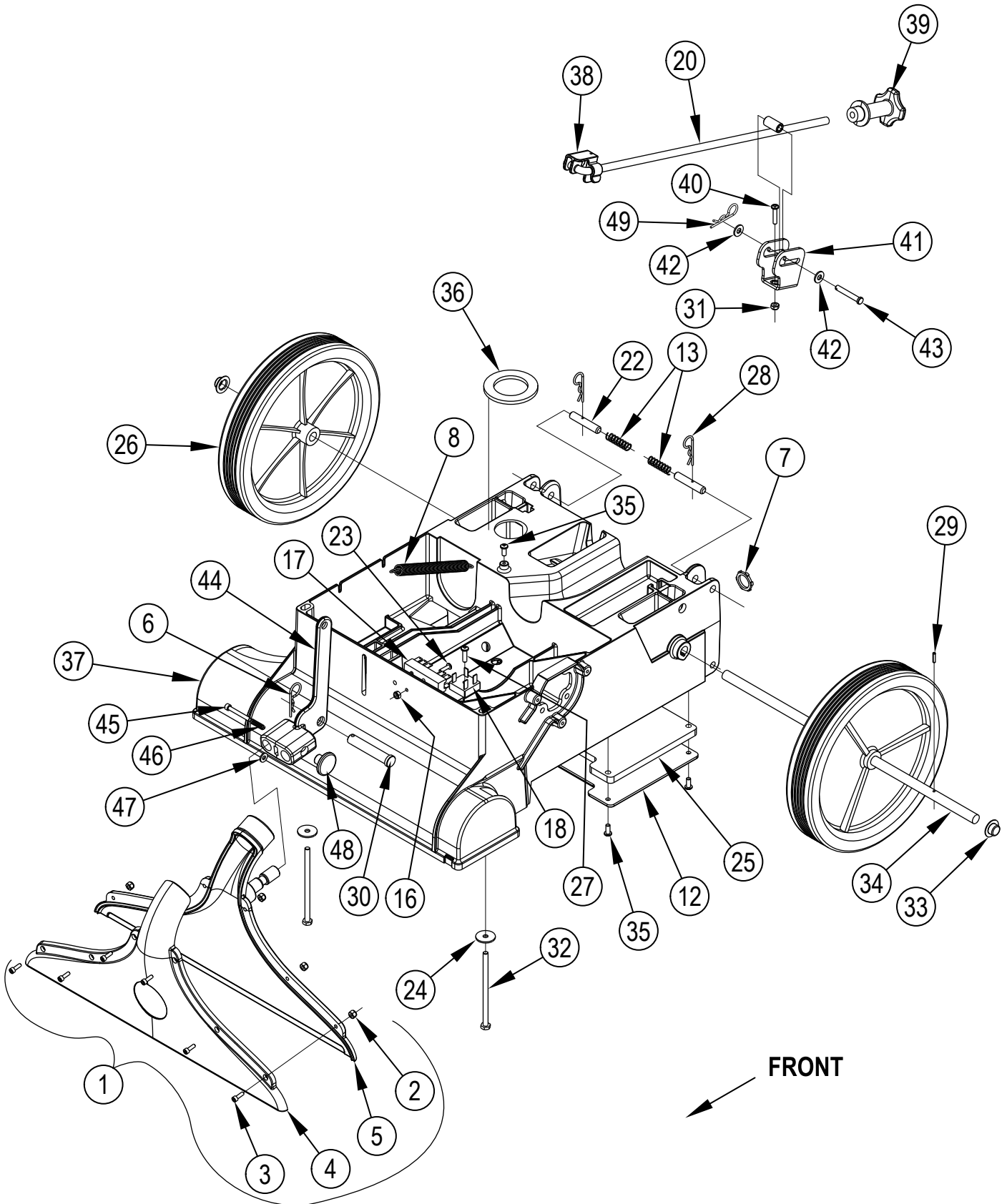
<u>DESCRIPTION</u>	<u>PAGE</u>
Base System	2-3
Brush System.....	4-5
Decal System.....	6-7
Handle System 16.....	8-9
Handle System 18.....	10-11
Recovery System.....	12-13
Solution Pump System.....	14-15
Solution Tank Assy.....	16-17
Ladder Diagram	18-19
Accessories.....	20

WHEN ORDERING PARTS

- * Use the part numbers from the "Ref. No." columns in this parts list.
- * Specify the model and serial number of the machine.
- * Use the space below to record the model and serial number for future reference.

Model _____ Serial No. _____

BASE SYSTEM



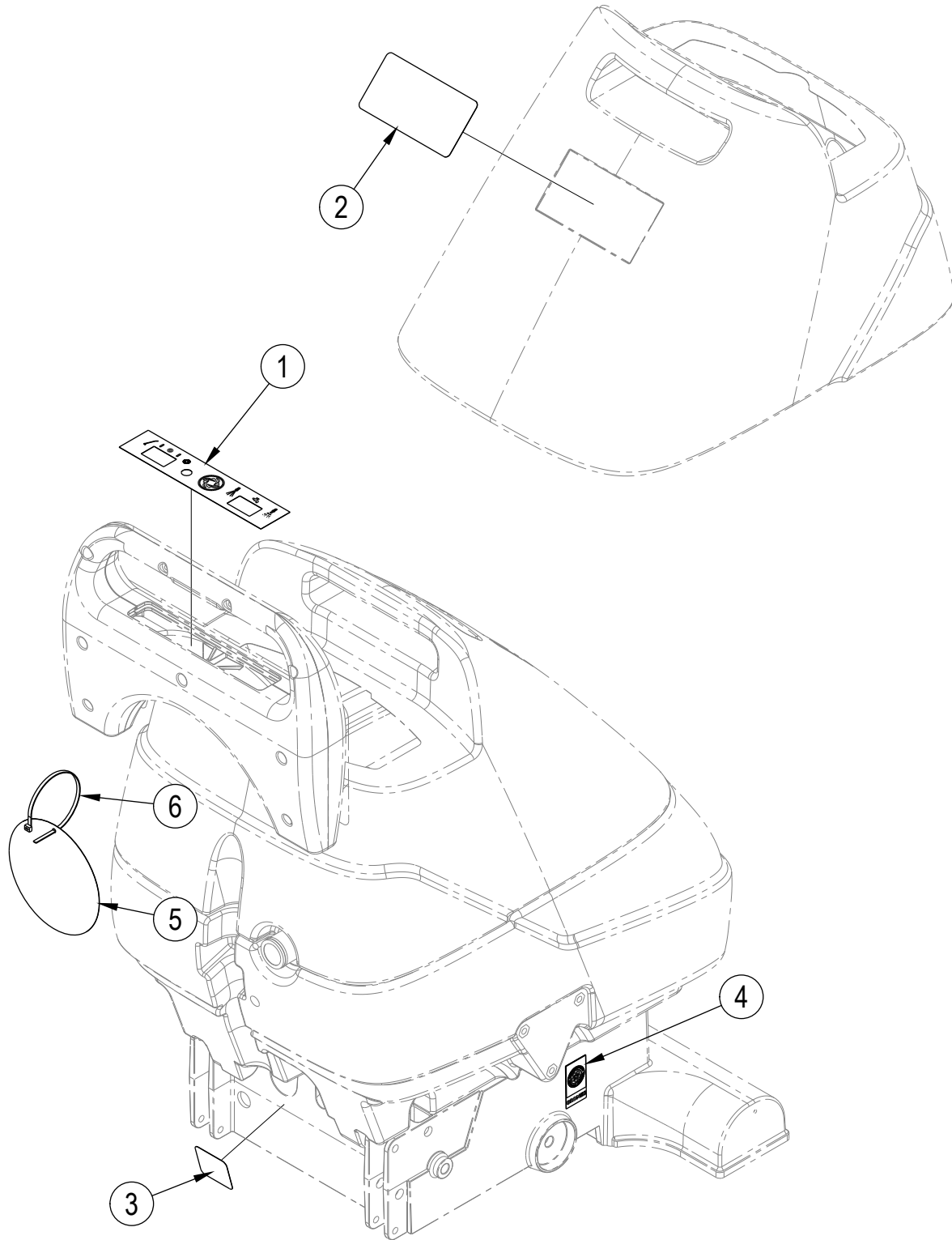
BASE SYSTEM

Item	Ref. No.	Qty	Description
1	56265067	1	Shoe Assembly, 16 (Clean Track S16) (items 2-5)
	56265080	1	Shoe Assembly, 18 (Clean Track L18) (items 2-5)
2	56002865	6	Nut, Hex Nyl Loc-Thin 8-32
3	56002101	6	Scr, Soc Hd 8-32 x 0.50
4	56265068	1	Shoe Front, 16
	56265081	1	Shoe Front, 18
5	56265069	1	Shoe Back, 16, Assy
	56265082	1	Shoe Rear, 18, Assy
6	56002959	1	Pin, Cotter Hair
7	56009095	1	Nut, Conduit Lock 1/2-14
8	56398606	1	Spring, Ext .50 x 6.25
12	56265172	1	Panel, Exhaust
13	56228142	2	Spring, Compression
16	56002865	1	Nut, Hex Nyl Loc-Thin 8-32
17	56260071	1	Terminal Block
18	56265103	1	Rectifier, 35 Amp
20	56265111	1	Adjustment Rod Weldment
22	56265073	2	Pin, Pivot
23	56002146	1	Scr, Pan Phil 8-32 x .62
24	56009060	2	Wsh, Flt SS .260 x 1.000 x .074
25	56265071	1	Gasket, Exhaust
26	56249505	2	Wheel
27	56003091	1	Scr, Pan Phil Plastite 10-14 x .75
28	56003120	2	Pin, Cotter Hair .0915 x .375
29	56003133	1	Pin, Spr .12 x .56
30	56003207	1	Clevis Pin .50 x 2.75
31	56002832	1	Nut, Hex Nyl Loc-Thin 10-24
32	56003691	2	Scr Hex Loc SS 1/4-20 x 4.50
33	56009097	2	Nut, Push Cap 1/2
34	56265057	1	Axle
35	56009191	5	Scr, Pan Phil Plastite 10-14 x .50
36	56200573	1	Gasket, Ring 1.75 x 2.75 x .19
37	56265020	1	Base, Extractor, 16 (Clean Track S16)
	56265120	1	Base, Extractor, 18 (Clean Track L18)
38	56265031	1	Clip, Rod
39	56109548	1	Knob, Brush Adjustment
40	56002674	1	Scr, Pan Phil 10-24 x 1.00
41	56265119	1	Latch, Adjustment
42	56002098	2	Wsh, Flt SAE 1/4
43	56003193	1	Clevis Pin .25 x 1.625
44	56265237	1	Lever, Brush Adjustment
45	56003761	1	Scr, Soc Hd SS 10-32 x 1.50
46	56201448	1	Spring, Compression
47	56002916	1	Wsh, Flt SAE SS #10
48	56265239	1	Knob
49	2-00-05249	1	Hair Pin-Cotter

BRUSH SYSTEM

Item	Ref. No.	Qty	Description
1	56265204	1	Bearing/Spindle Kit
		1	Spindle, Drive
		1	Washer, Bearing
		1	Bearing, Block
		1	Sheave Poly-V 6J17
		1	Bearing, Ball
		1	Bearing, Ball
2	56262558	1	Sheave, Poly-V
3	56002849	1	Nut, Hex Nyl Loc-Thin SS 10-24
4	56001854	4	Scr, Hex Hd 1/4-20 x .50
5	56002098	4	Wsh, Flt SAE 1/4
6	56002900	1	Scr, Pan Phil SS 10-24 x .50
7	56009131	2	Scr, Soc Set Loc 5/16-18 x .31
8	56265024	1	Belt, Poly V
9	56265043	1	Clip, Brush Retainer
10	56265047	1	Belt Guard
11	56265075	1	Motor, 115 VDC, 1/3 HP
12	56265091	1	Cover, Pulley
13	56009191	3	Scr, Pan Phil Plastite 10-14 x .50
14	56265044	1	Brush Assembly 16
		1	Brush, 16
		1	Brush Assembly 18
		1	Brush, 18

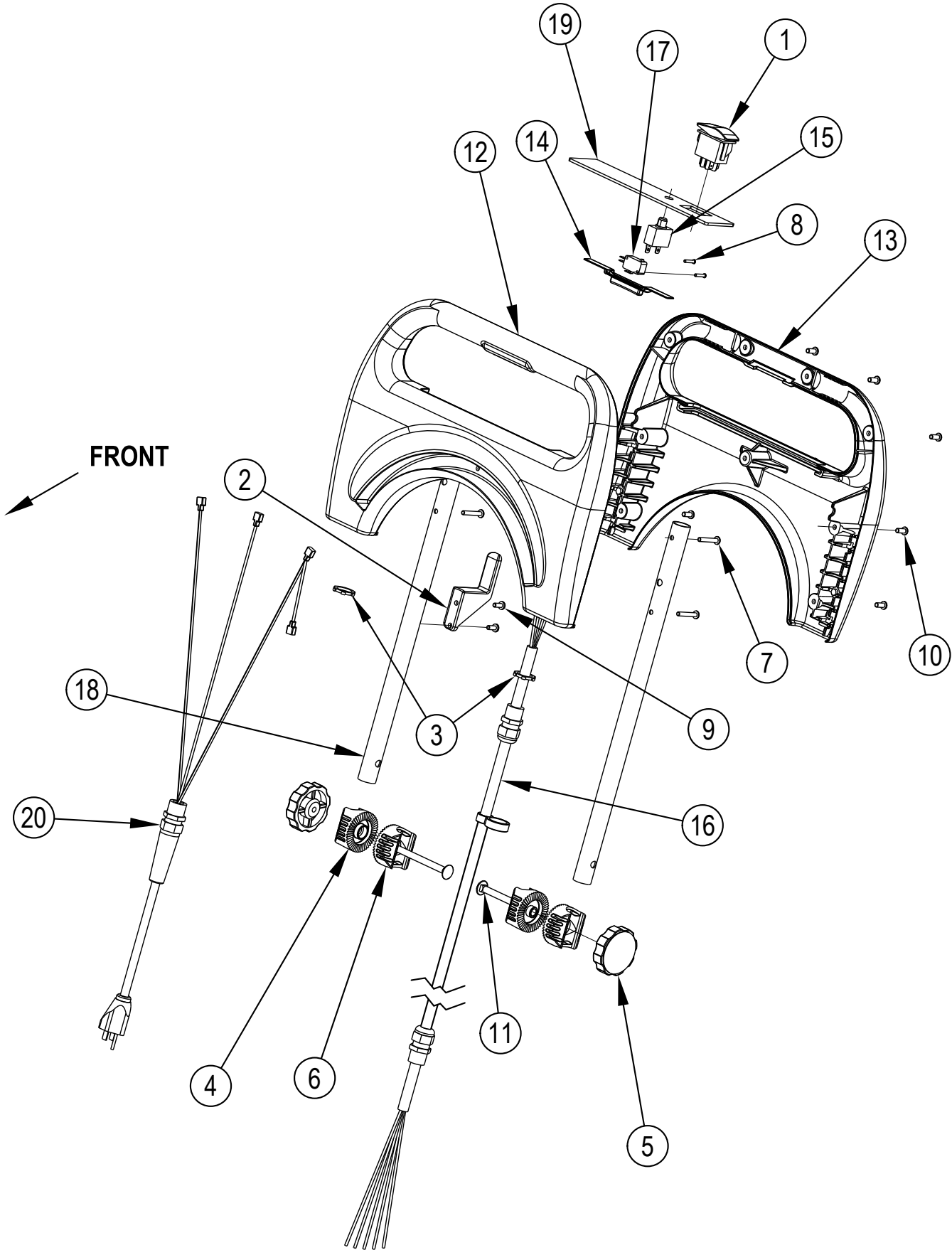
DECAL SYSTEM



DECAL SYSTEM

Item	Ref. No.	Qty	Description
1	56016717	1	Decal, Panel (Clean Track L18)
	56016716	1	Decal, Panel (Clean Track S16)
2	56382744	1	Decal-Clean Track S16
	56382745	1	Decal-Clean Track L18
3	56016718	1	Decal, Brush Pressure
4	56317151	1	Decal, CRI Bronze
5	56040958	1	Tag, CRI
6	56478523	1	Tie, Cable

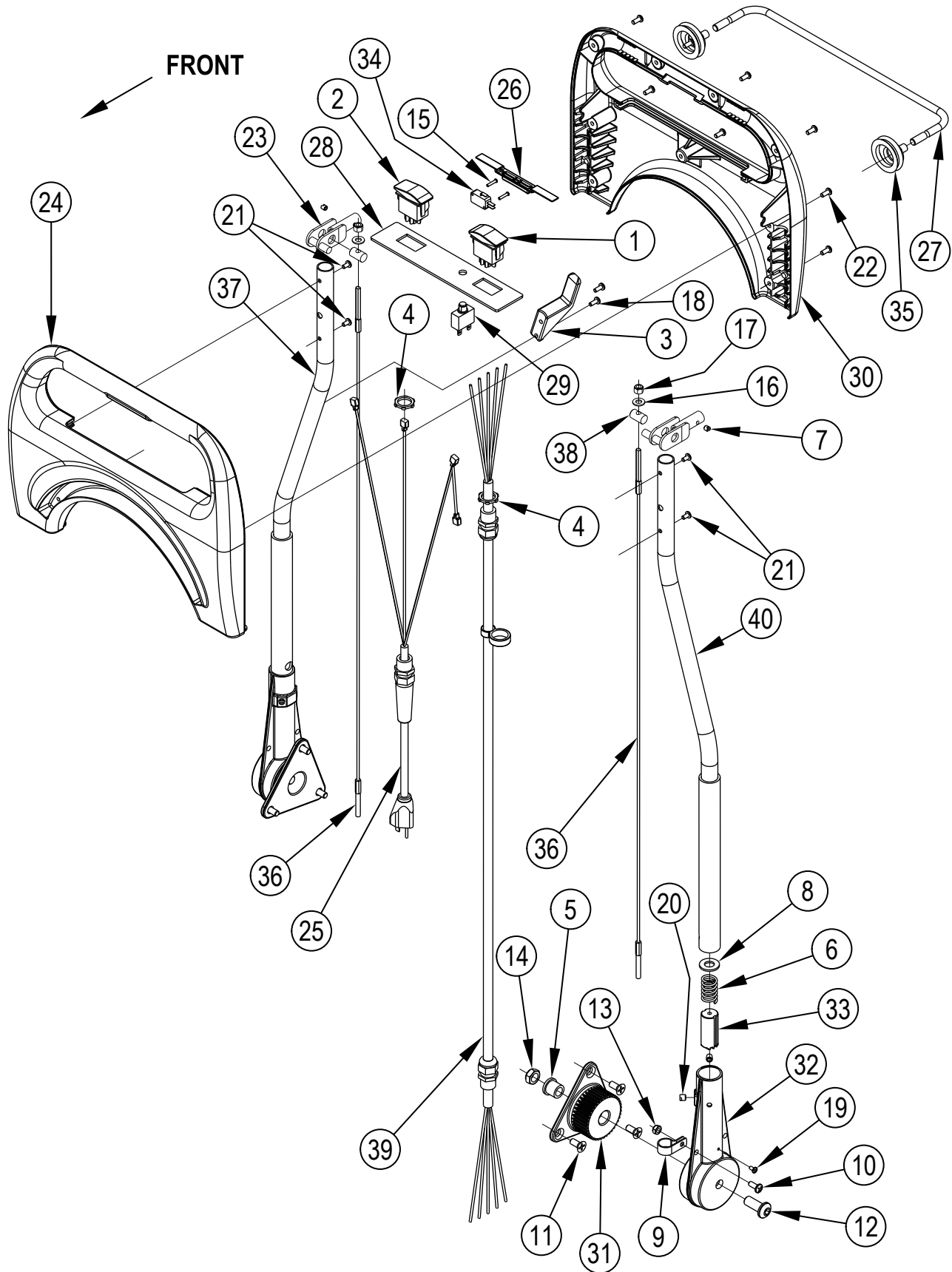
HANDLE SYSTEM 16



HANDLE SYSTEM 16

Item	Ref. No.	Qty	Description
1	56381823	1	Switch, Rocker
2	56262518	1	Hook, Cord
3	56009095	2	Nut, Conduit Lock 1/2-14
4	56264123	2	Ratchet
5	1047	2	Knob
6	56264118	2	Ratchet
7	56002824	4	Scr, Pan Phil 10-24 x 1.25
8	56003092	2	Scr, Pan Phil Plastite 4-20 x .62
9	56009029	2	Scr, Pan Phil Thd Form 10-24 x .50
10	56009191	9	Scr, Pan Phil Plastite 10-14 x .50
11	56009227	2	Scr, Carriage 5/16-18 x 3.50
12	56265028	1	Cover, Handle, Front
13	56265029	1	Cover, Handle, Rear
14	56265053	1	Button, Spray
15	56265056	1	Circuit Breaker W/Boot
16	56265085	1	Main Cable Assy
17	56265098	1	Switch, SPDT Snapaction
18	56265143	2	Tube, Handle
19	56265159	1	Panel, Control
20	56265162	1	Cord, Power 14/3, SJT

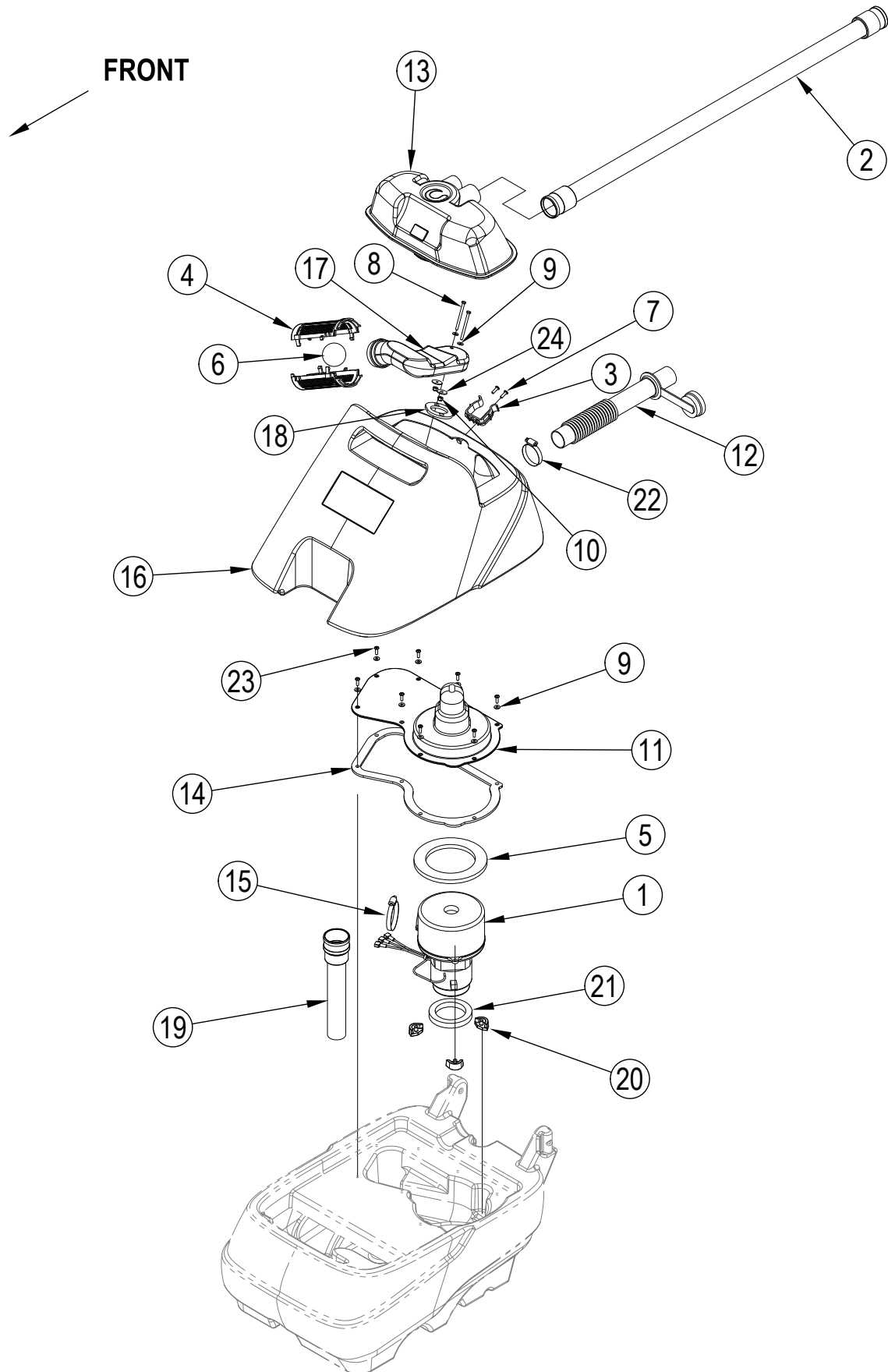
HANDLE SYSTEM 18



HANDLE SYSTEM 18

Item	Ref. No.	Qty	Description
1	56381823	1	Switch, Rocker (vacuum)
2	56381824	1	Switch, Rocker (solution)
3	56262518	1	Hook, Cord
4	56009095	2	Nut, Conduit Lock 1/2-14
5	56111503	2	Bearing, Flange
6	56056519	2	Compression Spring
7	56001841	2	Scr, Soc Set Loc 1/4-20 x .25
8	56009003	2	Wsh, Flt .516 x .938 x .075
9	56486112	1	Clamp, P
10	56002066	2	Scr, Pan Phil 1/4-20 x .62
11	56002395	6	Scr, Flt Phil 5/16-18 x .75
12	56009341	2	Scr, Button Soc 1/2-13 x 1.50
13	56002840	1	Nut, Hex Nyl Loc-Thin 1/4-20
14	56002843	2	Nut, Hex Nyl Loc-Thin 1/2-13
15	56003092	2	Scr, Pan Phil Plastite 4-20 x .62
16	56002098	2	Wsh, FLT SAE 1/4
17	56003284	2	Nut, Hex Nyl Loc 1/4-28
18	56009029	2	Scr, Pan Phil Thd Form 10-24 x .50
19	56009066	2	Scr, Pan Phil 8-32 x .31
20	56009131	4	Scr, Soc Set Loc 5/16-18 x .31
21	56009139	4	Scr, Pan Phil Loc 10-24 x .38
22	56009191	9	Scr, Pan Phil Plastite 10-14 x .50
23	56265241	2	Handle Adjustment Pivot
24	56265028	1	Cover, Handle, Front
25	56265162	1	Cord, Power 14/3, SJT
26	56265053	1	Button, Spray
27	56265054	1	Bail, Handle Release
28	56265055	1	Panel, Control
29	56265056	1	Circuit Breaker W/Boot (5 amps)
30	56265062	1	Cover, Flip Handle, Back
31	56109556	2	Gear, Handle
32	56265083	2	Handle Socket
33	56109557	2	Lock, Handle
34	56265098	1	Switch, SPDT Snapaction
35	56265128	2	Bellows, Handle
36	56265147	2	Wire Rope Assy
37	56265157	1	Tube, Handle
38	56265242	2	Pin
39	56265192	1	Main Cable Assy
40	56265197	1	Tube, Handle

RECOVERY SYSTEM



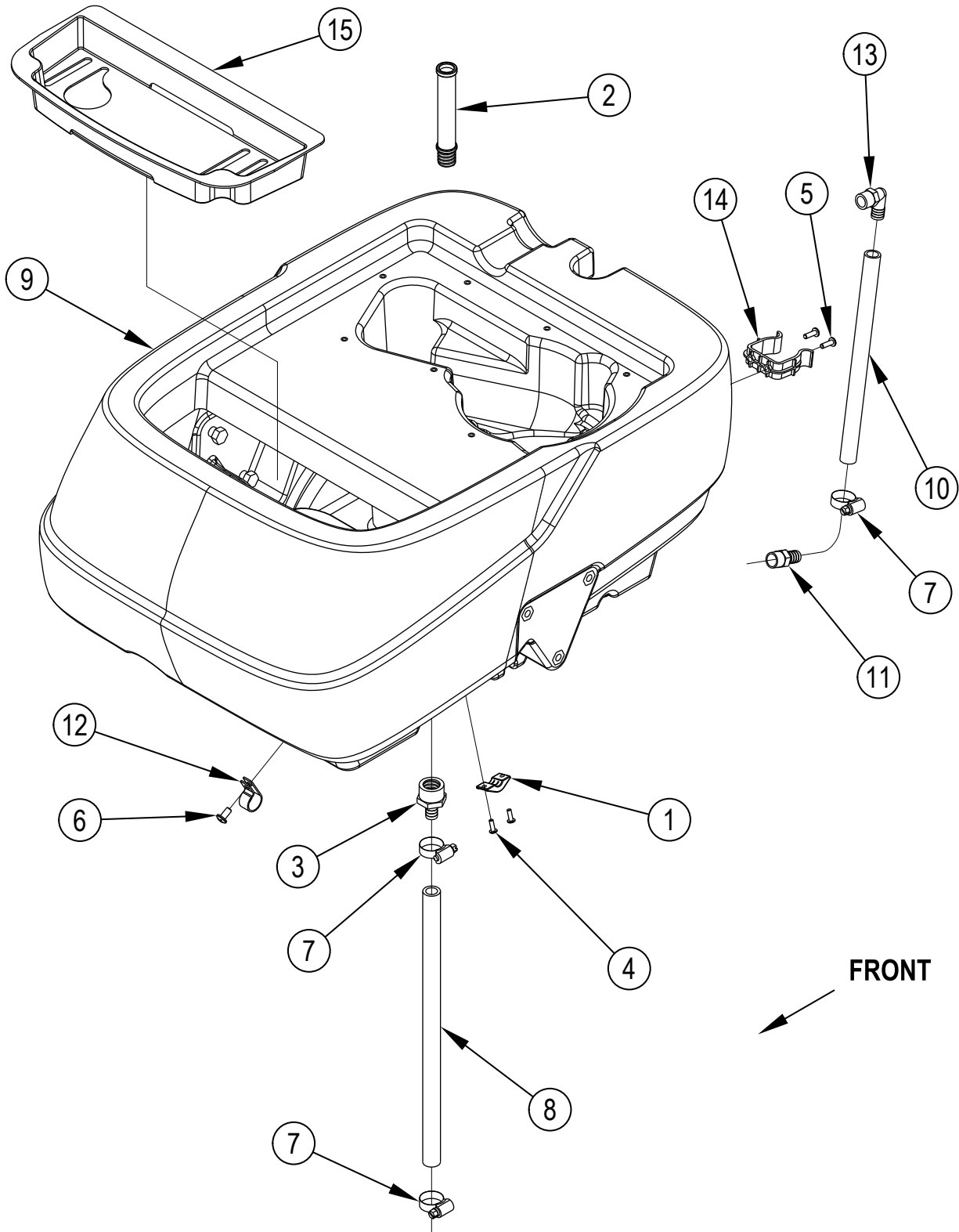
RECOVERY SYSTEM

Item	Ref. No.	Qty	Description
1	56265096	1	Vac Motor, 120V
*	56264453	1	Carbon Brushes for 56265096 (one pair)
2	56265142	1	Vac Hose 1.50 x 48.00 x 975018 (Clean Track S16)
	56265211	1	Vac Hose 1.50 x 54.00 x 975018 (Clean Track L18)
3	56331154	1	Clamp, Plastic
4	56324497	2	Cage, Float
5	56385437	1	Gasket
6	56391690	1	Ball, Float
7	56002124	2	Scr, Pan Phil 10-24 x .62
8	56003809	2	Scr-Hex SS 10-24 x 2.00
9	56009205	10	Wsh, Flt SS #10
10	56002836	2	Nut-Hex Nyl Loc SS 10-24
11	56265030	1	Cover, Vac Motor
12	56265034	1	Hose, Drain 1.5 Inch
13	56109528	1	Recovery Lid Assy
14	56265072	1	Gasket, Vac Cover
15	56440213	1	Clamp, Hose SAE #32
16	56265131	1	Tank, Recovery, 16 (Clean Track S16)
	56265133	1	Tank, Recovery, 18 (Clean Track L18)
17	56265134	1	Duct, Float
18	56265163	1	Gasket
19	56265202	1	Vac Hose Assy
20	56314484	3	Mount, Vibration
21	56314760	1	Gasket, Vacuum Duct
22	56329145	1	Clamp, Hose SAE #24
23	56002900	8	Scr, Pan Phil SS 10-24 x .50
24	56009096	2	Wsh-Flt .193 x .875 x .060

SOLUTION PUMP SYSTEM

Item	Ref. No.	Qty	Description
1	56756364	2	Clamp, Hose SAE #4
2	56265224	1	Pump 115V
3	56265033	2	Mount, Pump
4	56109513	1	Nozzle-Valve Assy-16 (items 6, 7, 8)
5	56264346	1	Hose, Polyester Braid (10.5")
6	56265037	1	Valve, Solenoid 115V TSBUS2007-966
7	56265052	1	Nozzle, Spray
8	56470138	1	Barb, 90 Elbow 1/4 x 1/4NPT
9	56756364	1	Clamp, Hose SAE #4
10	56002875	2	Wsh, Flt SAE SS #8
11	56264346	1	Hose, Polyester Braid (10.5")
12	56009078	1	Nut, Hex Jam SS 5/8-18
13	56265208	1	Socket, 1/8 FPT
14	56756364	1	Clamp, Hose SAE #4
15	56109732	1	Barb, Adapter Male 45 Degree
16	56003018	2	Scr, Pan Phil SS 8-32 x .38
17	56109503	1	Double Barb Assy
18	56109566	1	Barb, 90 Elbow 1/2 x 3/8 NPT

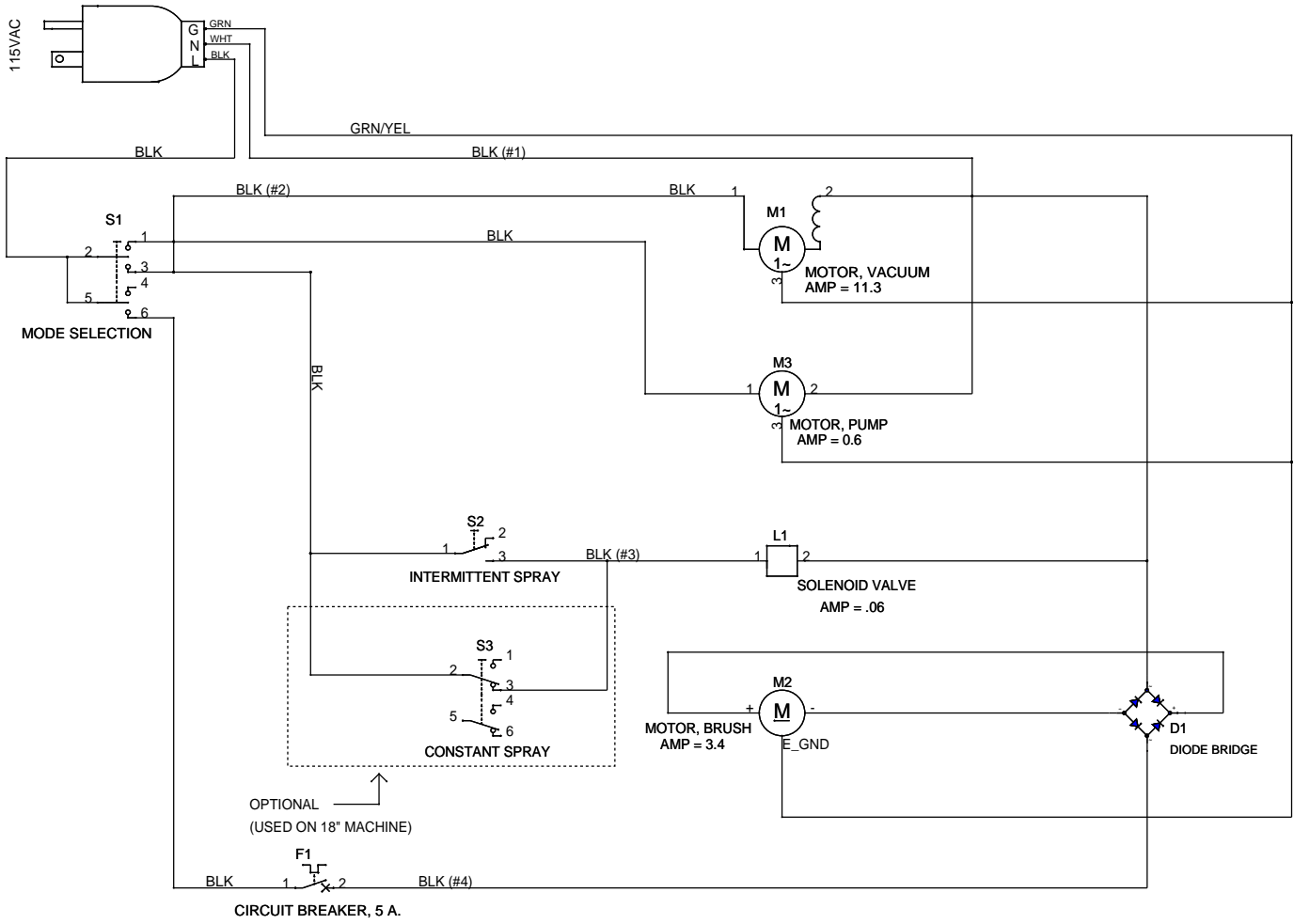
SOLUTION TANK ASSY



SOLUTION TANK ASSY

Item	Ref. No.	Qty	Description
1	56264119	1	Clamp, Power Cord (Clean Track L18 only)
2	56264137	1	Screen
3	56262190	1	Barb
4	56002003	2	Scr, Pan Phil 8-32 x .50 (Clean Track L18 only)
5	56002124	2	Scr, Pan Phil 10-24 x .62
6	56002145	1	Scr, Pan Phil 1/4-20 x .50 (Clean Track L18 only)
7	56219932	3	Clamp, Hose SAE #6
8	56407267	1	Hose, Spiral .500
9	56265132	1	Tank, Solution, 18 (Clean Track L18)
	56265130	1	Tank, Solution, 16 (Clean Track S16)
10	56265216	1	Hose, PVC Clear 11.00
11	56109565	1	Barb, Adapter 1/2 x 3/8NPT
12	56486112	1	Clamp, P (Clean Track L18 only)
13	56109566	1	Barb, 90 Elbow 1/2 x 3/8NPT
14	56331154	1	Clamp, Plastic
15	56265206	1	Lid, Solution Tank (Clean Track S16 only)

LADDER DIAGRAM



LADDER DIAGRAM

Item	Ref. No.	Qty	Description
D1	56265103	1	Rectifier, 35 Amp
F1	56265056	1	Circuit Breaker, 5 Amp
L1	56265037	1	Valve, Solenoid 115V TSBUS2007-966
M1	56265096	1	Motor Vacuum, 120V
[]	56264453	1	Carbon Brushes for 56265096 (one pair)
M2	56265075	1	Motor, Brush 115 VDC, 1/3 HP
M3	56265224	1	Pump 115V
S1	56381823	1	Switch, Mode Selection
S2	56265053	1	Switch, Intermittent Spray
S3	56381824	1	Switch, Constant Spray (Clean Track L18 only)
[]	56265187	1	Wire Assembly
[]	56265102	1	Wire Assembly
[]	56265087	1	Wire Assembly
[]	56265108	2	Wire Assembly (Clean Track L18 only)

[] = Not Shown

ACCESSORIES

OPTIONAL BRUSHES

Item	Ref. No.	Qty	Description
			16" Optional Brushes
	56265044	1	Brush Assembly 16
	56265175	1	Brush Assembly Blue 16 Hard
	56265176	1	Brush Assembly 240 Grit 16
			18" Optional Brushes
	56265099	1	Brush Assembly 18
	56265177	1	Brush Assembly Blue 18 Hard
	56265178	1	Brush Assembly 240 Grit 18

ACCESSORY TOOLS

Item	Ref. No.	Qty	Description
	56314402		Wand Assembly w/Soft and Hard Floor Tools
	56265173		Wand Assembly w/Soft Floor Tool
	56262209		Stand Up Wand
	56220109		Hand Tool
	56380377		Spray Tip (for 56220109)
	56220070		Upholstery Hand Tool
	56265174		15' Hose w/Waterline
	56265112		Locking Extension Cord
	56265368		8' Hose w/Waterline
	56265150		Hard Floor Tool
	56265309		Plug Adaptor Kit
	56265305		Drag Wand
	56265306		Scrub N Vac Wand
	56250314		14" Scrub/Vac Tool

Clarke[®]

14600 21st Avenue North
Plymouth, MN 55447-3408

www.clarkeus.com

Phone: 800-253-0367

Fax: 800-825-2753

©2011 Nilfisk-Advance, Inc.

A Nilfisk-Advance Brand