



## Electronic Service Manuals

This electronic document is provided as a service to our customers. We do not create the contents of the information contained in this document. Should you have detailed questions pertaining to the information contained in this document, you may contact Michco, or the manufacturer which provided the original information in this electronic deliverable. Michco's only part in this electronic deliverable was the electronic assembly process. By providing this manual on line we are not guaranteeing parts availability.

You may contact Michco through the following methods:

Phone (517) 484-9312 or (800) 331-3339

2011 N. High St. -- Lansing, Michigan -- 48906

Fax: (517) 484-9836

Email: [CustServe@Michco.com](mailto:CustServe@Michco.com)

Web site: [www.Michco.Com](http://www.Michco.Com)

Parts Web site: [www.FloorMachineParts.Com](http://www.FloorMachineParts.Com)

Order Parts on Line at:

**[www.FloorMachineParts.Com](http://www.FloorMachineParts.Com)**

Directly to Parts & Service:

By Email: **[Shop@Michco.com](mailto:Shop@Michco.com)**

By Fax: (517) 702-2041

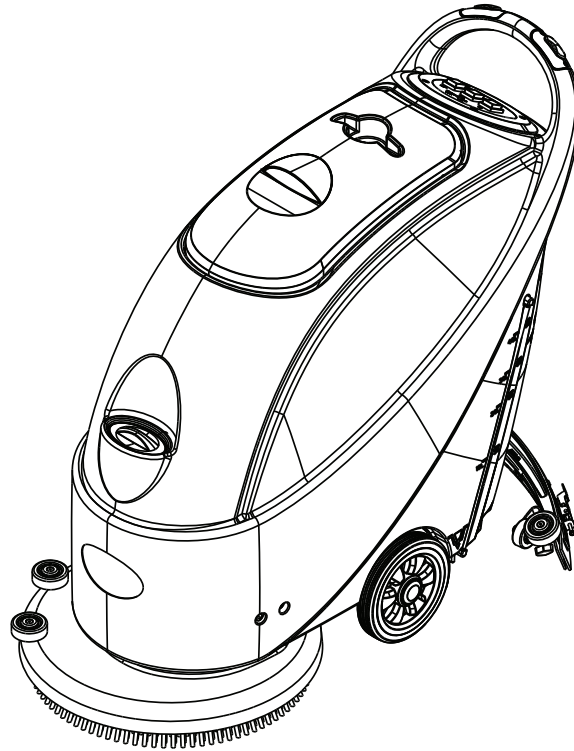
By Voice: Use numbers above.

**Serving the Cleaning Industry Since 1922**

Notice: All copyrighted material remains property of original owners, all trademarks are property of respective owners. Manuals are subject to Manufacturer's reproduction limitations. Originals or reproductions were provided by manufacturers through a request. We make no warranty as to the correctness of information provided in this document and you assume all risk. By placing these manuals on line we are not declaring our corporation to be an manufacturer authorized dealer or provider, please check our web site for authorized manufacturers we represent.

# Clarke®

## CA30 17E



**Instructions For Use - Original Instructions / Instrucciones de uso / Mode d' emploi**  
**Model: CLARKE430C**



**READ THIS BOOK**  
**LEA ESTE MANUAL**  
**LISEZ CE MANUEL**



**EN** English (A2 - A15)  
**ES** Español (B2 - B15)  
**FR** Français (C2 - C15)

This book has important information for the use and safe operation of this machine. Failure to read this book prior to operating or attempting any service or maintenance procedure to your Clarke machine could result in injury to you or to other personnel; damage to the machine or to other property could occur as well. You must have training in the operation of this machine before using it. If your operator(s) cannot read this manual, have it explained fully before attempting to operate this machine.

All directions given in this book are as seen from the operator's position at the rear of the machine.

## TABLE OF CONTENTS

	Page
<b>Introduction</b> .....	<b>A-3</b>
Contents .....	A-3
Purpose .....	A-3
Spare Parts and Maintenance .....	A-3
Changes and Improvements .....	A-3
Machine Application.....	A-3
Unpacking/Transport .....	A-3
Safety Guides .....	A-4
Technical Data .....	A-5
<b>Machine Components</b> .....	<b>A-6 – A-7</b>
Control Panel.....	A-6 – A-7
<b>Guide For Use</b> .....	<b>A-8</b>
Before Machine Start-Up .....	A-8
Brush / Pad-Holder Installing and Removal.....	A-8
Squeegee Adjustment .....	A-8
Regulating Water Flow .....	A-9
Machine Start and Stop .....	A-9
Machine Operation .....	A-10
Tank Emptying .....	A-10
After Each Use .....	A-11
Using For the First Time .....	A-11
<b>Maintenance and Care</b> .....	<b>A-12</b>
Scheduled Maintenance Table .....	A-12
Squeegee Cleaning .....	A-12
Squeegee Blade Check and Replacement.....	A-13
Brush/ Pad Cleaning.....	A-13
Water Tank and Float Filter Mesh Cleaning.....	A-14
Solution Filter Cleaning .....	A-15
<b>Troubleshooting</b> .....	<b>A-15</b>
<b>Parts List</b> .....	<b>D-2 – D-12</b>

## INTRODUCTION

### NOTE

Numbers shown in parenthesis correspond with the numbers in the machine exploded view.

## CONTENTS

This manual is intended to provide the operator with the necessary information to use this machine properly and safely. The information includes technical data, safety, operation, storage, maintenance and disposal of the machine. All operators and technicians should study this manual carefully before prior to operating or servicing the machine. Please contact your local Clarke distributor with any questions.

## PURPOSE

The intention of this manual is to educate the operator and service provider on the proper use and maintenance of this machine.

## SPARE PARTS AND MAINTENANCE

All necessary operation, maintenance, and repair procedures must be performed by an authorized Clarke service provider.

Only authorized spare parts and accessories should be used.

If service, parts or accessories are needed, please contact your local Clarke distributor.

## CHANGES AND IMPROVEMENTS

CLARKE makes continuous improvements on its products. CLARKE reserves the right to change and improve the machines. All changes / improvements should be performed by an authorized Clarke service provider.

## MACHINE APPLICATION

This scrubber is used in commercial and industrial environments and is suitable for the cleaning of smooth hard floor surfaces. It must be used by qualified operators and in a safe environment. This machine is not to be used outdoors, on carpets, and on coarse floors.

## UNPACKING/TRANSPORT

Please follow carefully the instructions on the package when unpacking.

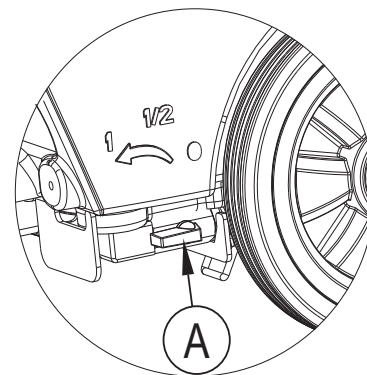
Upon delivery, please inspect the packing and the machine to ensure no damage has been done during transport. If there is any visible damage, please contact the distributor you purchased the machine from.

## CAUTION !

When unpacking and unloading, or during transportation, please take care to avoid hitting the solution valve. Part A in the figure on the right.

Check if the machine is equipped with the following items:

1. Scrubber User Manual



## SAFETY GUIDES

The following are special warnings and notices on potential damages (personnel and machine):

### WARNING !

- Machine may only be operated under the guidance of this manual. Only accessories approved by Clarke should be used.
- This machine must be only used by trained & authorized personnel. Children or untrained persons must not use this machine.
- When working near electrical parts, please do not wear any jewelry. Please take all precautionary measures to avoid hair, jewelry, and loose fitting clothing from being caught by any moving parts of the machine.
- Prior to scrubbing, it is best to pre-sweep the area to be cleaned. Do not wash the machine directly with water. Do not let the machine come in touch with corrosive liquids.
- The temperature for storage and for working environment of the machine must be between 0 - 40°C.
- The humidity of air must be between 30% - 105%.
- Please do not use the machine on a slope with a gradient of more than 2%.
- In case of fire, please use dry powder fire extinguishers. Do not use liquid fire extinguishers.
- Particular attention should be paid when the machine is transported below 0°C. The water tank and the water in the hoses may freeze and cause serious damages to the machine.
- Use brush or pad driver supplied with the machine and those specified in the owner's manual. Using other brushes or pads could reduce safety.
- In case of machine malfunction, please make sure that it is not caused by lack of maintenance. If it is caused by other conditions, contact your local Clarke authorized service center. If it is confirmed that spare parts must be replaced, please secure the genuine parts from your local Clarke distributor.
- In order to ensure safe and proper operation of the machine, it is advised that your Clarke authorized service provider perform the scheduled maintenance according to the maintenance schedules outlined in this manual.
- This machine must be properly disposed of in accordance with local laws and regulations (please refer to machine disposal section).

**TECHNICAL DATA**

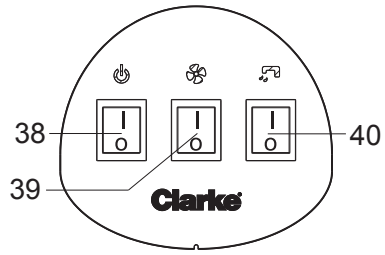
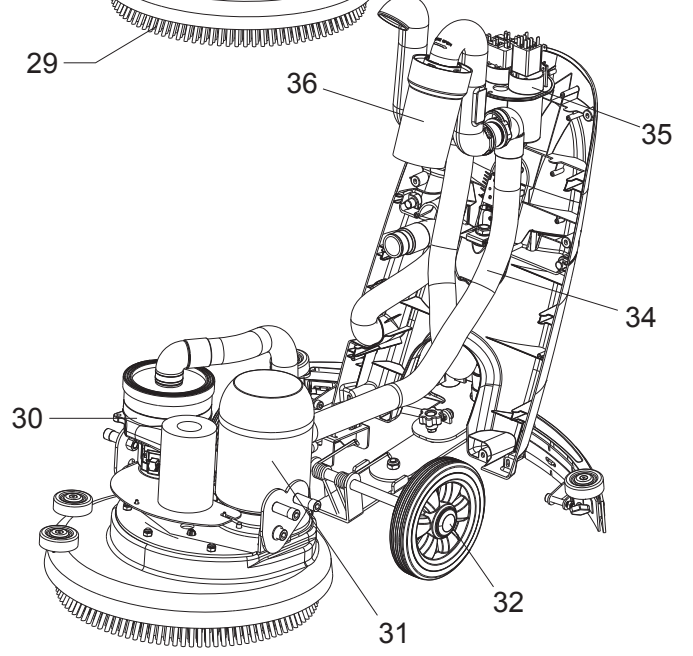
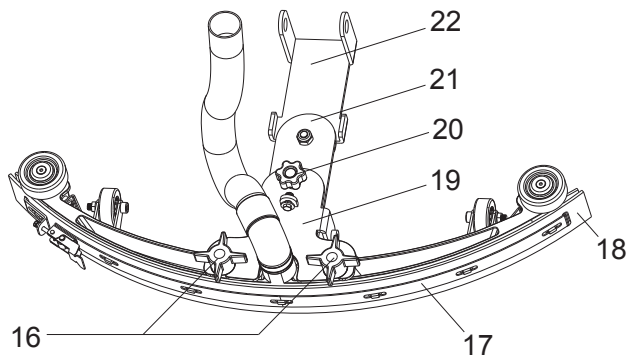
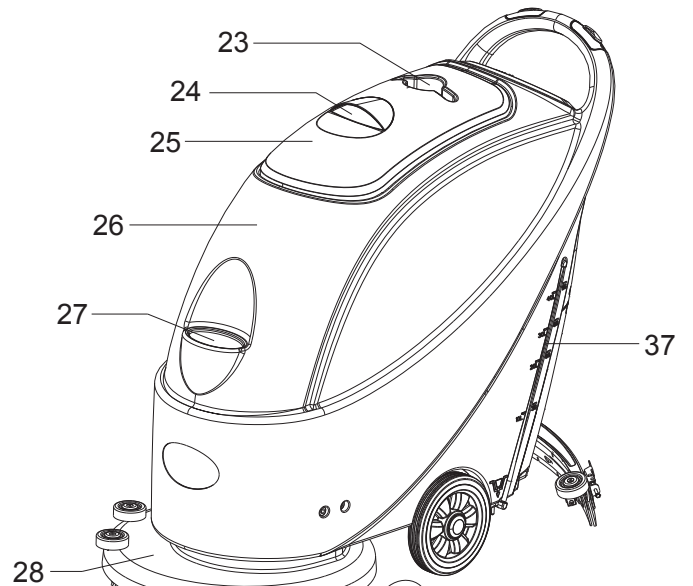
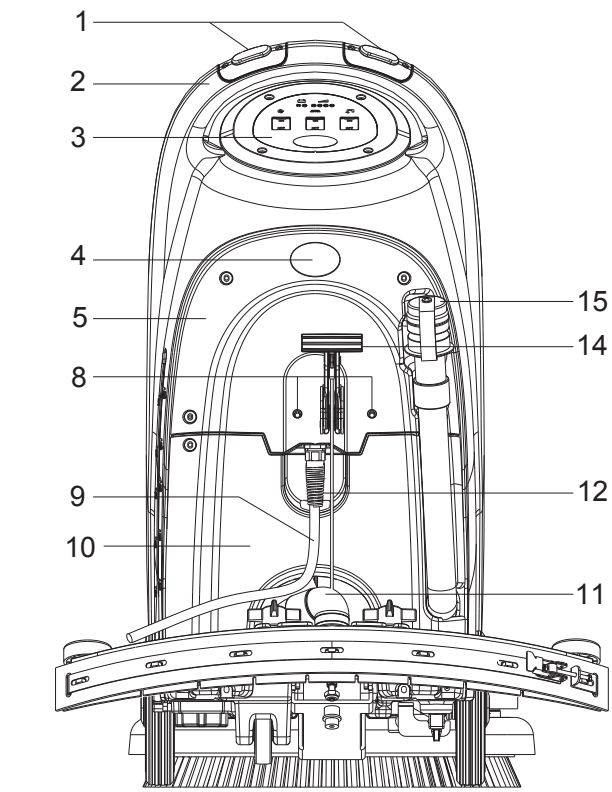
Model	CA30 17E
Machine Height	980mm
Solution tank capacity	50 litre
Recovery tank capacity	50 litre
Diameter of transport wheel	200mm
Diameter of guide wheel	63.5mm
Power of vacuum system motor	400w
Maximum gradient when working	2% (Max)
Sound pressure level at workstation	72dB(A) ±3dB(A)
Cable Length	20m
Vacuum system circuit capacity	1200 mm H <sub>2</sub> O
Cleaning width	430mm
Squeegee width	730mm
machine maximum length	1060mm
Machine width without squeegee	480mm
Brush diameter	430mm
Weight with empty tanks	70kg
Gross weight of the machine ready for use	120kg
Brush motor power	750W
Brush speed	150rpm
Brush /pad-holder Maximum pressure	32kg(Max)
Packing size (Lx W x H)	1200 x 610 x 1170mm

**MACHINE COMPONENTS**

1. Safety switch button
2. Handle
3. Control panel
4. Serial number plate/Technical data
5. Control cover
6. N/A
7. N/A
8. Reset switch
9. Power Cable
10. Cover
11. Drain hose
12. Squeegee lift cable
13. N/A
14. Squeegee lift handle
15. Drain cap
16. Squeegee knob
17. Squeegee clip
18. Squeegee blade
19. Squeegee bracket
20. Squeegee adjusting knob
21. Squeegee rear support frame
22. Squeegee front support frame
23. Cup holder
24. Recovery tank cover handle
25. Recovery tank lid
26. Recovery tank
27. Solution fill
28. Brush deck
29. Brush / pad-holder
30. Vacuum motor
31. Brush motor
32. 8" wheel
33. N/A
34. Vacuum tube
35. Electric Box
36. Float filter
37. Water level site tube

**CONTROL PANEL**

38. Power switch
39. Vacuum switch
40. Solution switch



## GUIDE FOR USE

### ⚠ WARNING !

On certain parts of the machine are pasted some indicative signs:

### ⚠ DANGER !

### ⚠ WARNING !

### ⚠ CAUTION !

## CONSULTATION

When reading this manual, the operator must pay particular attention to the symbols on these labels. Under no circumstances shall these labels be covered. If they are damaged, please replace them immediately.

## BEFORE MACHINE START-UP

### BRUSH / PAD-HOLDER INSTALLING AND REMOVAL

#### NOTE

According to the type of floor to be cleaned, the machine may be installed with brush (Figure 3, A), or a pad-holder (Figure 3, B and C).

### ⚠ CAUTION !

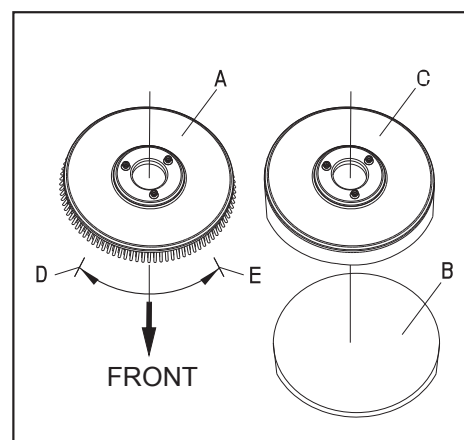
When manually installing or removing the brush/pad-holder, first ensure that all the switches are in the "off" position and lift the squeegee off the floor. Only after which can the brush or pad-holder be worked on.

Always wear protective gloves.

1. Make sure the power cable (9) disconnecting the power supply and the switch (38) is at the disconnecting (Off) condition.
2. Press down the handle (2) to lift the tank body (26).
3. Put the brush (A) or the pad-holder (B – C) under the case.
4. Use the handle (2) to lower the tank body (26) to come into contact with the brush or pad-holder.
5. Manually attach by following the arrow head (D) to install the brush/pad-holder (as shown in Figure 3).
6. Remove by turning the brush/pad-holder in the opposite direction and it can be taken off. (Figure 3)

## SQUEEGEE ADJUSTING

7. Install the squeegee and tighten the knobs. Then connect the vacuum hose to the squeegee assembly.
8. Adjust the squeegee through the adjusting handle (A) of the squeegee (Figure 4).
  1. If the mid-section of the rear squeegee bracket, section B, has a gap with the floor or the downward pressure is relatively light, adjust the handle in an anti-clockwise direction until the whole length of the rear squeegee strip touches well with the floor. The front squeegee strip should lightly touch the floor.
  2. If the two ends of the rear squeegee strip, sections C and D, have a gap with the floor or the downward pressure is relatively light, adjust the handle in a clockwise direction until the whole length of the rear squeegee strip touches well with the floor. The front squeegee strip should lightly touch the floor.



**FIGURE 3**

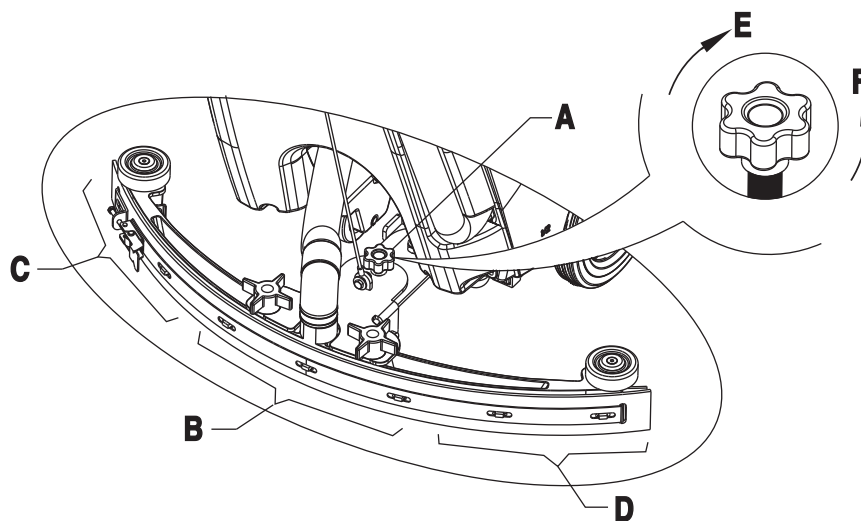


FIGURE 4

### SOLUTION TANK FILLING

#### ⚠ CAUTION !

Only low foam, nonflammable detergents may be used. These detergents must be suitable for the use of scrubbers.

- Open the water inlet cover (27) and add water to solution tank. Do not overfill the tank. When preparing the cleaning solutions, please follow the dilution rates supplied by the chemical manufacturer. Water temperature must not exceed 40°C.

### REGULATING WATER FLOW

#### ⚠ WARNING !

Regulating the ball valve handle (A, Figure 5) must be done under the condition when the power switch (38) is in the "Off" position.

- The volume of the water flow may be adjusted through the ball valve handle (A, Figure 5) according to the amount of water required for your scrubbing application.

### MACHINE START AND STOP

Starting the machine

- Complete the preparatory steps as outlined above.
- Press the power switch (38) to the "I" position.
- Use the squeegee handle (14) to lower the squeegee.
- Press the Vacuum switch (39) to the "I" position.
- Press the solution switch (40) to the "I" position. (Work simultaneously with the safety switch (1) to control the solenoid valve.)
- Squeeze the on / off switch (1) and push to move the machine. When switches are squeezed, the brush (29) will rotate, and the solution will flow.

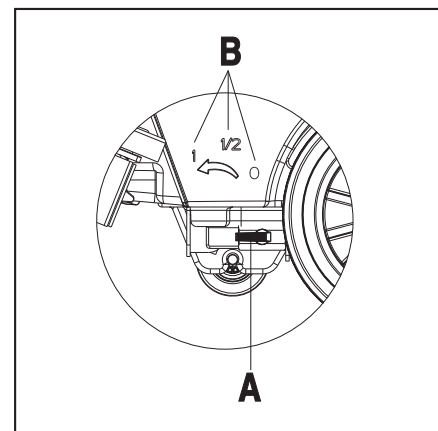


FIGURE 5

### CONSULTATION:

Each safety switch is capable of controlling independently the operation of the brush. In use, it facilitates the control of the operation of the machine. Operators are encouraged to find the most comfortable position their hands.

## TURNING OFF THE MACHINE

7. When you have finished using the machine, first remove the brush/pad-holder (refer to the steps mentioned above)
8. Release the safety switch (1) to turn off the brush/pad holder and solenoid valve.
9. Press the Vacuum switch (39) to the "Off" position, and the Vacuum will delay for 5 seconds before stopping work.
10. Press the solution control switch (40) to the "Off" position to completely turn off the solution flow.
11. Press the power switch (38) to the "Off" position. And disconnecting the power cable (9) from the power supply.
12. Use the squeegee lift handle (14) to lift the squeegee.
13. Grasp the handle (2) and gently tilt the machine backward until the guide wheel (B) touches the floor. See Figure 7.



FIGURE 6

## MACHINE OPERATION

1. Start the machine according to the description above.
2. Hold the on / off switch (1) (Figure 6), push to move the machine, and start the scrubbing.
3. If necessary, turn off the machine, and adjust the squeegee. (Refer to the steps for squeegee adjustment)
4. If necessary, turn off the machine, and adjust the solution flow with the ball valve handle. (Refer to the steps for adjusting solution flow).

## ⚠ CAUTION !

In order to avoid damaging the floor, when the machine stays in one place without moving, remove hands from switches & turn off the main power switch (38).

## TANK EMPTYING

When recovery tank is full, a float shut-off device (36) will block the inlet connecting to the vacuum motor. Through a sudden increase of noise from the vacuum motor, it can be considered that the recovery tank is full and requires immediate draining.

## ⚠ CAUTION !

If the vacuum motor is suddenly turned off (due to sudden movement resulting in an activation of the float), and if a resumption of operation is needed, please perform the following steps: press the power switch (38 and 39) to turn off the power and the vacuum motor, and open the recovery tank cover (25) to check if the float has returned to the water surface. Close the recovery tank cover (25), and press the power switch (38 and 39) to turn on the main power and the vacuum motor.

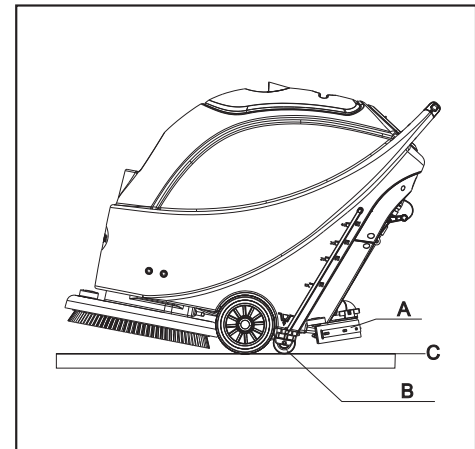


FIGURE 7

## RECOVERY TANK EMPTYING

1. Turn off the machine.
2. Raise the squeegee assembly (14).
3. Move the machine to a dedicated draining location.
4. Grasp the handle (2) and tilt the machine backward until the guide wheel touches the floor.
5. Remove the drain hose from the clip, bend the top end of draining hose (A, Figure 8), and then remove the drain hose cap. Lower the hose to a low level or on the ground to drain the water. Alternatively, place drain hose to a low position or on the ground to make the water outlet face downward (B, Figure 8), and then twist open the drain cap to drain the wastewater in the tank. After draining is completed, rinse the inside of recovery tank with clean water

### **⚠ CAUTION !**

When draining the wastewater, the drain hose must be folded or lowered to a lower position (Figure 8 A or B), and the cap removed for wastewater to drain. Do not allow the opening of the drain hose to face upward, as it could get wastewater on the operator.

## SOLUTION TANK EMPTYING

6. Complete Steps 1 to 4.
7. As shown in Figure 9, turn open the lid of Solution tank (A) counter clockwise (direction C), to drain Solution tank completely. Use clean water to rinse the inside of Solution tank. When work is completed, replace the solution tank lid (A) by twisting in a clockwise in direction (B).

## AFTER EACH USE

When work is done and before leaving the machine, completes the following steps:

1. Remove the brush / pad holder.
2. Drain solution tank & rinse with clean water.
3. Drain recovery tank & rinse with clean water.
4. Complete the daily maintenance procedures. (see maintenance section)
5. Remove and rinse squeegee assembly with damp towel.
6. Keep recovery tank lid unsealed from tank to allow fresh air to circulate freely

## USING FOR THE FIRST TIME

After the first 9 hours of use, please check components to ensure all connections (electrical & mechanical) are tight & check for any damage that may have occurred during operation. Check for water leakage.

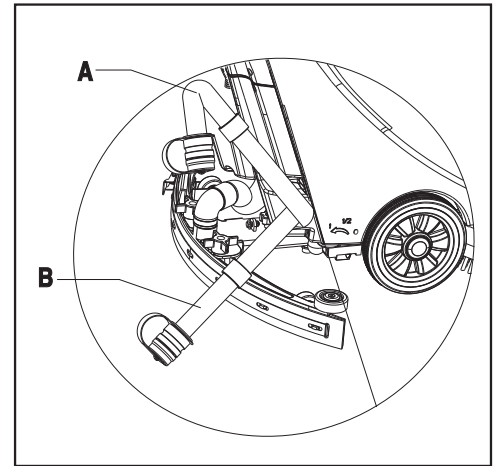


FIGURE 8

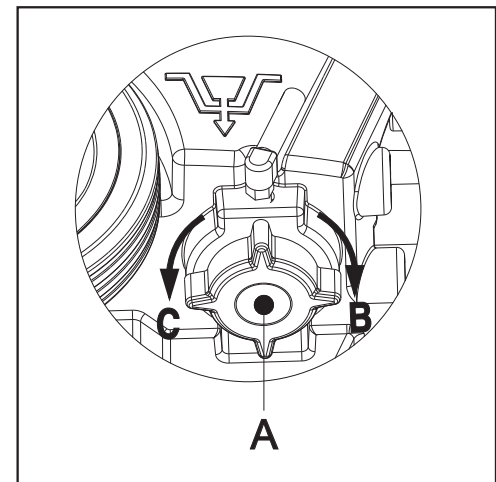


FIGURE 9

## MAINTENANCE AND CARE

The service life and the maximum operation safety of the machine are assured by proper and timely maintenance and care.

The following table is a routine maintenance guide for the machine. The time intervals of maintenance are determined to a large extent by the working conditions of the machine. These time intervals should be formulated by the person responsible for the maintenance.

### ⚠ WARNING !

Only after the main power is disconnected should these procedures be performed. Prior to proceeding with any of the maintenance procedures, please study carefully the related safety sections.

All maintenance should be done by qualified personnel or authorized Clarke service centers.

This manual only relates the simplest and the most common maintenance procedures.

For any maintenance procedures other than those stated in this table of planned maintenance, please contact your local Clarke distributor.

## SCHEDULED MAINTENANCE TABLE

	After each use	Weekly	Every six months	Annually
Clean Squeegee				
Clean Brush/Pad holder				
Clean water tank and float filter, inspect tank gaskets				
Inspect and change the squeegee blades				
Clean solution filter				
Clean Vacuum motor filter				
Inspect tightness of nuts and bolts			(1)	
Check brush motor carbon brushes				(2)
Check vacuum motor carbon brushes				(2)

(1) = After the first 9 working hours.

(2) = This maintenance procedure must be performed by an authorized Service Center.

## SQUEEGEE CLEANING

### NOTE

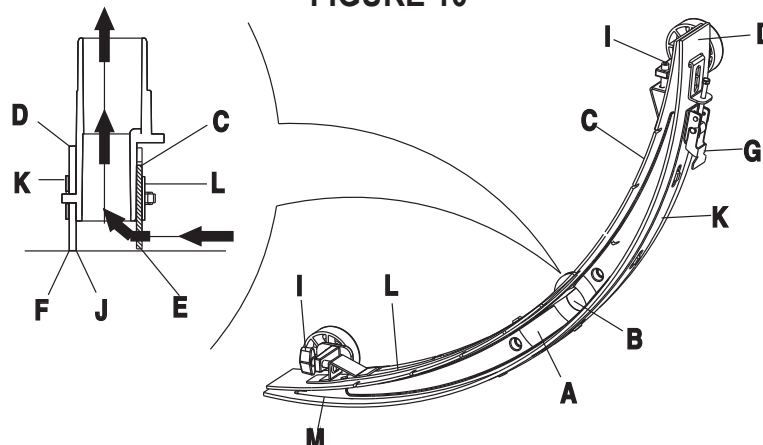
In order to maintain the optimal squeegee performance, the squeegee must be kept clean, and the squeegee blades must remain in good condition.

### ⚠ CAUTION !

When cleaning the squeegee, it is recommended to put on protective gloves as the squeegee may contain sharp debris.

1. Move the machine to a flat and smooth surface.
2. Press the power switch (38) to the "O" position to turn off the machine.
3. Unscrew the squeegee knobs (16); remove the vacuum hose from the squeegee assembly & remove squeegee.
4. Use the squeegee lift handle (14) to lift the squeegee mount bracket.
5. Using a damp towel, clean the squeegee (Figure 10). Clean in particular the groove (A, Figure10) and the dirt and fragments on the vacuum tube. Check if the front squeegee blade (C) and the rear squeegee blade (D) are intact, and if there are broken edges and cracks. Replace them if necessary (refer to the steps in the following section).
6. Re-install the squeegee in the reverse order of the above

FIGURE 10



## SQUEEGEE BLADE CHECK AND REPLACEMENT

1. Following the methods related in the previous section clean the squeegee (Figure 10)
2. Check the edge (E, Figure 10) of the front squeegee blade and the edge (F) of the rear squeegee blade (D). On the whole length, they should be level. Otherwise, adjust their heights through the following procedure.
  - Loosen the clip (G) to let the rear squeegee blade (D) separate from the bracket (M) for the adjustment of the position of the squeegee. After the adjustment, lock the clip once again.
  - Loosen the screw on the handle (I) to adjust the front squeegee blade (C); tighten the handle screw after adjustment.
3. Check if the front squeegee blade (C) and the rear squeegee blade (D) is intact and if there are broken edges and cracks. If damage is found, change them according in the following way. If the front edge of the rear squeegee blade (J) has worn, it can be flipped upside down and re-installed (the top edge is required to be intact). If the top edge is also worn, change it by following the procedure below:
  - Loosen the clip (G) to let the pressure blade separate from the bracket (M), take off the clip bar (K), and then change or turn the rear squeegee blade (D) upside down. Re-install the rear squeegee blade in the reverse order of taking it off.
  - Loosen the handle screw (I) and take off the front clip bar (L), and then change the front squeegee (C). Re-install the front squeegee blade in the reverse order of taking it off. After changing the squeegee blade, adjust the level of the front and rear squeegee blades in the procedures as described above.
4. Connect the Vacuum hose (11) to the squeegee.
5. Install the squeegee and tighten the knobs.
6. If necessary, adjust the squeegee by turning the adjustment knob (20) (refer to the procedures for adjusting the balance of the squeegee).

## BRUSH/ PAD CLEANING

### CAUTION !

When cleaning the brush/pad-driver, wearing protective gloves is recommended as the brush / pad may contain sharp debris.

1. Remove the brush/pad-driver.
2. With the use of water and detergents, clean the brush/pad driver.
3. Check the brush for wear & if necessary, replace the brush.
4. Check the pad driver for wear & if necessary, replace the pad driver.

## WATER TANK AND FLOAT FILTER MESH CLEANING

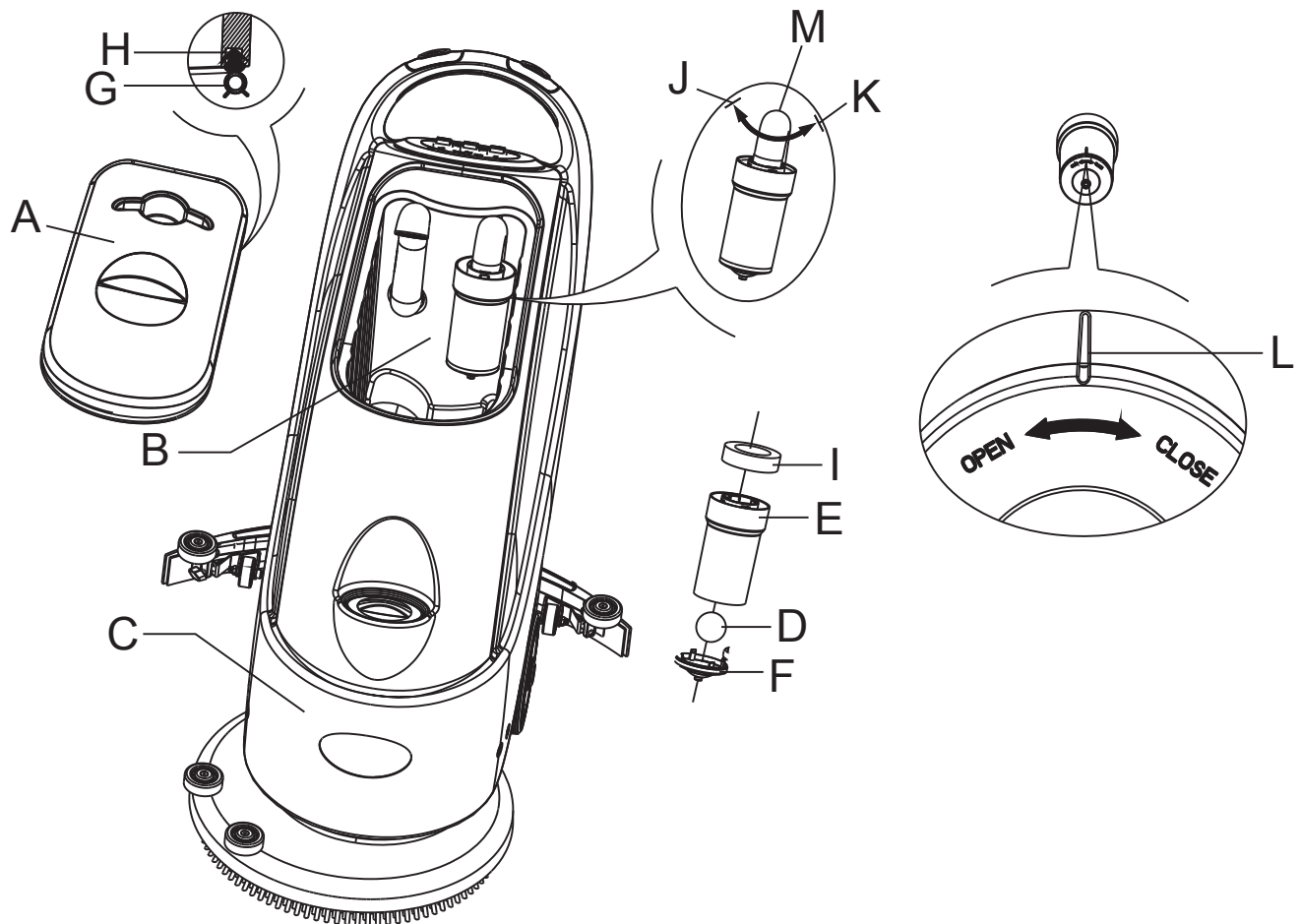
1. Move the machine to a dedicated draining area.
2. Press the power switch (38) to the position "O" to turn off the machine.
3. Open recovery tank lid (A, Figure 11), and remove the float device (36) from inside the tank.
4. Use clean water to rinse the recovery tank lid (A), the tank (B and C), and the float filter support frame (E). Drain all the water from the water tank.
5. If necessary, following the symbols "Open" and "Close" as shown in Figure 11, open the bottom lid (F) of the float filter and clean the float (D), float filter support frame (E), and the filter sponge (I). After cleaning, re-attach the float onto the support frame (E), and then align the mark groove (L) of the bottom lid (F) of the float filter with the mark groove (L) of the float filter support frame (E). Turn the bottom lid (F) of the float filter tight, and re-attach the filter sponge (I) onto the support frame (E), and then onto the vacuum tube (M).
6. Inspect the seal / gasket (G) of the recovery tank lid. If necessary, the recovery tank seal / gasket (G) may be taken out from the groove (H) and changed. When installing the new seal / gasket as shown in Figure 11 below, install the connector to the middle section of the rear part.

### NOTE

The seal / gasket (G) of the recovery tank allows the tank to create a vacuum. It must be completely sealed to be able to effectively suck the wastewater from the floor.

7. Check if the receiving surface of the sealing strip (G) is intact and seals adequately.
8. Close recovery tank lid (A).

FIGURE 11



## SOLUTION FILTER CLEANING

1. Drain all the water from Solution tank as previously outlined.
2. Move the machine to a flat and smooth surface.
3. Press the power switch (38) to the "O" position to turn off the machine.
4. Turn off the draining ball valve (A, Figure 12) (located at the bottom of the machine, behind the wheels). Position B ball valve open, and position C ball valve closed.
5. Remove the transparent cap (D), and then take off the filter (E), and install them onto the filter box (F) after cleaning.

### NOTE

The filter (E) must be accurately installed onto the position of the housing (G).

6. Open the draining ball valve (A).

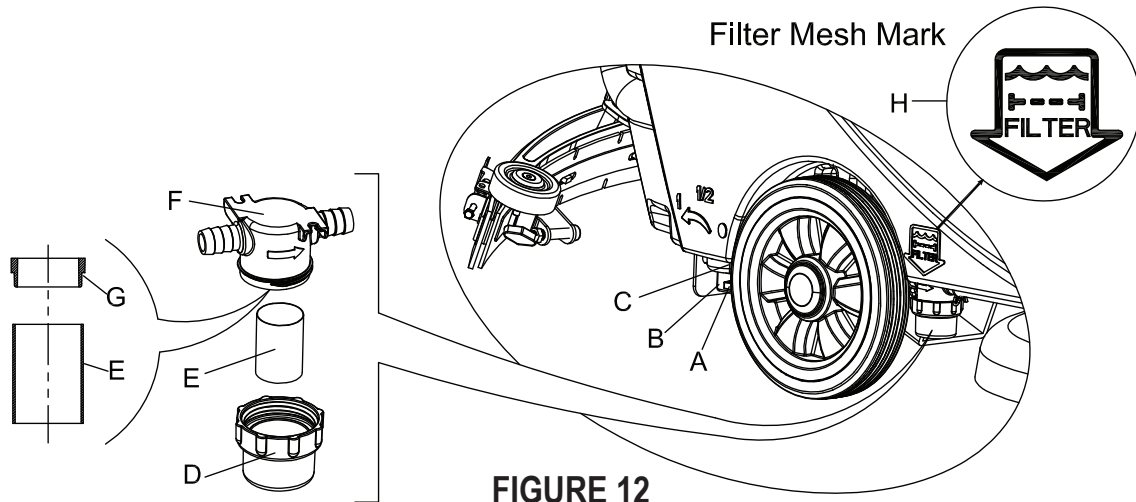


FIGURE 12

## TROUBLESHOOTING

Breakdown	Probable Cause	Remedies
Machine not working	The wiring not connected correctly or bad wiring	Check the wiring or contact Clarke Distributor
	Bad brush motor	Contact Clarke Distributor
	Carbon brush worn out	Contact Clarke Distributor
Vacuum motor not working	The wiring not connected correctly or bad wiring	Check the wiring or contact Clarke Distributor
	Bad vacuum motor	Contact Clarke Distributor
	Carbon brush worn out	Contact Clarke Distributor
Little or no solution flow	Bad ball valve	Contact Clarke Distributor
	Bad solution valve	Contact Clarke Distributor
	Ball valve position in need of adjustment	When ball valve is in horizontal position, the amount of solution flow is maximum
	Filter dirty	Clean the filter
Inadequate Vacuum	Recovery tank is full.	Drain the recovery tank
	Drain hose and squeegee hose not properly connected	Connect the drain hose and the squeegee hose
	Float filter blocked or inlet blocked	Clean the float filter, check the float ball
	Squeegee dirty or squeegee blade worn and damaged	Clean and check the squeegee
	Recovery tank lid not properly sealed, or the seal / gasket for recovery tank damaged	Refit on the lid properly, replace the recovery tank seal / gasket
Squeegee leaving marks	Debris fragments under the squeegee blade	Remove the fragments
	Squeegee blade worn, cracked or brittle.	Replace the squeegee blade
	Balance of squeegee not adjusted	Adjust the balance

**ÍNDICE**

	<b>Página</b>
<b>Introducción:</b> .....	<b>B-3</b>
Contenido .....	B-3
Objetivo .....	B-3
Repuestos y mantenimiento .....	B-3
Cambios y mejoras .....	B-3
Aplicación de la máquina.....	B-3
Desembalaje y transporte.....	B-3
Guías de seguridad .....	B-4
Información técnica .....	B-5
<b>Componentes de la máquina.....</b>	<b>B-6 – B-7</b>
Panel de control.....	B-6 – B-7
<b>Guía de uso .....</b>	<b>B-8</b>
Antes de arrancar la máquina .....	B-8
Instalación y remoción del cepillo/portabayetas .....	B-8
Ajuste de la escobilla.....	B-8
Regulación del flujo de agua .....	B-9
Arranque y detención de la máquina.....	B-9
Funcionamiento de la máquina .....	B-10
Vaciamiento de depósito .....	B-10
Luego de cada uso .....	B-11
Primer uso .....	B-11
<b>Cuidado y mantenimiento.....</b>	<b>B-12</b>
Tabla de mantenimiento programado .....	B-12
Limpieza de la escobilla .....	B-12
Verificación y el reemplazo de la hoja de la escobilla .....	B-13
Limpieza de cepillo/almohadilla.....	B-13
Depósito de agua y malla de limpieza del filtro flotante .....	B-14
Filtro de limpieza de solución .....	B-15
<b>Resolución de problemas.....</b>	<b>A-15</b>
<b>Lista de piezas .....</b>	<b>D-2 – D-12</b>

## INTRODUCCIÓN

### NOTA

Los números mostrados en paréntesis corresponden a los números del plano de despiece de la máquina.

## CONTENIDOS

Este manual está destinado a proporcionar al operador la información necesaria para utilizar este equipo de manera adecuada y segura. La información incluye datos técnicos, de seguridad, de funcionamiento, de almacenamiento, de mantenimiento y eliminación de la máquina. Todos los operadores y técnicos deben estudiar cuidadosamente este manual antes de antes de operar o arreglar la máquina. Por favor, póngase en contacto con su distribuidor local de Clarke en caso de duda.

## PROPÓSITO

La intención de este manual es la de educar al operador y técnico en el uso y mantenimiento adecuado de esta máquina.

## REPUESTOS Y MANTENIMIENTO

Todas las operaciones, mantenimiento y procedimientos de reparación necesarios, deben ser realizados por un servicio técnico autorizado de Clarke.

Deben utilizarse repuestos y accesorios autorizados únicamente.

Si se necesitan servicios, piezas o accesorios, por favor póngase en contacto con su distribuidor local de Clarke.

## CAMBIOS Y MEJORAS

CLARKE hace mejoras permanentes en sus productos. CLARKE se reserva el derecho de cambiar y mejorar las máquinas. Todos los cambios / mejoras deben ser realizados por un servicio técnico autorizado de Clarke.

## APLICACIÓN DE LA MÁQUINA

Esta limpiadora se utiliza en entornos comerciales e industriales y es adecuada para la limpieza de suelo duro y liso. Debe ser utilizado por personal cualificado y en un ambiente seguro. Esta máquina no debe usarse al aire libre, en alfombras o en los pisos gruesos.

## DESEMBALAJE Y TRANSPORTE

Por favor, siga cuidadosamente las instrucciones en el paquete al desembalar.

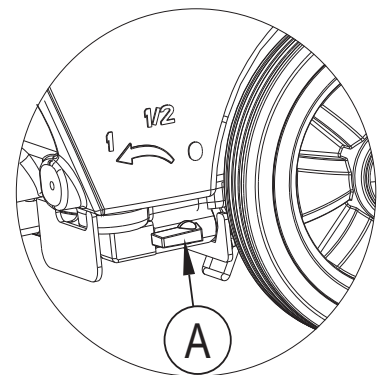
Al momento de la entrega, inspeccione el embalaje y la máquina para asegurarse de que no se han producido daños durante el transporte. Si hay algún daño visible, póngase en contacto con el distribuidor donde adquirió la máquina.

### **⚠ ¡PRECAUCIÓN!**

Al desembalar y descargar, o durante el transporte, por favor, tenga cuidado de no golpear la válvula de solución. Parte A en la figura de la derecha.

Compruebe si la máquina está equipada con los siguientes elementos:

1. Manual de uso de la limpiadora



## GUÍAS DE SEGURIDAD

Las siguientes son advertencias y avisos de daños potenciales (del personal y de la máquina):

### ¡ADVERTENCIA!

- La máquina sólo debe utilizarse bajo la dirección de este manual. Sólo deben utilizarse accesorios aprobados por Clarke.
- Este equipo debe ser utilizado por personal capacitado y autorizado. Los niños o personas inexpertas no deben utilizar esta máquina.
- Al trabajar cerca de partes eléctricas, por favor no use joyas. Por favor, tome todas las medidas preventivas para evitar que el pelo, las joyas y la ropa suelta sean enganchadas por las partes móviles de la máquina.
- Antes de fregar, lo mejor es barrer la zona a limpiar. No lave la máquina directamente con agua. No deje que la máquina entre en contacto con líquidos corrosivos.
- La temperatura de almacenamiento y el medio ambiente de trabajo de la máquina debe estar entre 0 - 40 ° C.
- La humedad del aire debe estar entre el 30% - 105%.
- No utilice la máquina en una pendiente con un gradiente de más del 2%.
- En caso de incendio, utilice extintores de polvo seco. No usar extintores de líquidos.
- Debe prestarse especial atención cuando la máquina se transporta por debajo de 0 ° C. El depósito de agua y el agua en las mangueras pueden congelarse y causar graves daños a la máquina.
- Utilice el cepillo o la almohadilla incluidos en la máquina y especificados en el manual de uso. El uso de otros cepillos o almohadillas podría reducir la seguridad.
- En caso de mal funcionamiento de la máquina, por favor asegúrese de que éste no es causado por falta de mantenimiento. Si es causada por otras condiciones, póngase en contacto con su centro local de servicio autorizado Clarke. Si se confirma que las piezas de repuesto deben ser sustituidas, por favor asegúrese que sean piezas originales de su distribuidor local de Clarke.
- Con el fin de garantizar un funcionamiento seguro y correcto de la máquina, se recomienda que su servicio técnico autorizado por Clarke realice el mantenimiento programado de acuerdo con los programas de mantenimiento descritos en este manual.
- Esta máquina debe desecharse de forma adecuada de acuerdo con las leyes y reglamentos locales (por favor refiérase a la sección de la disposición de la máquina).

**DATOS TÉCNICOS**

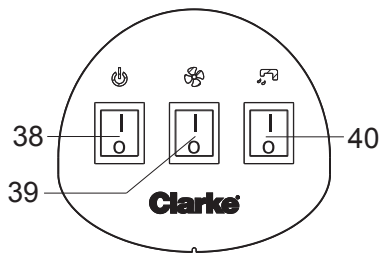
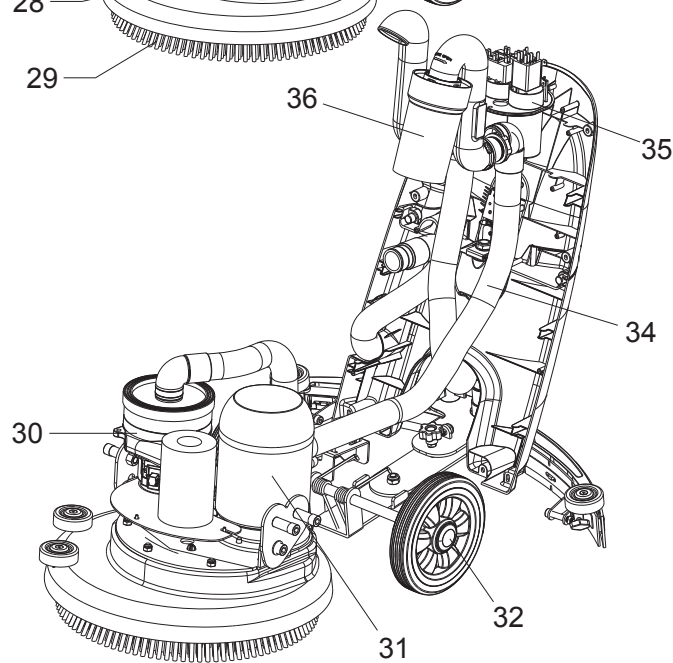
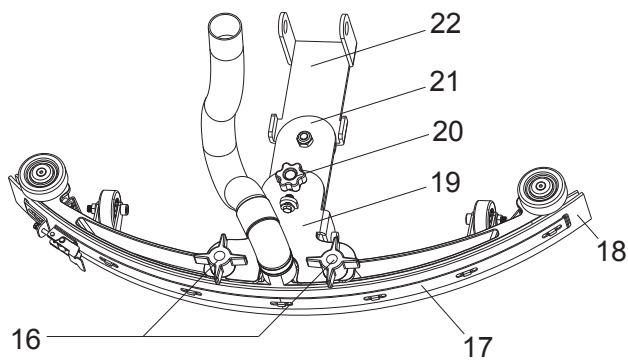
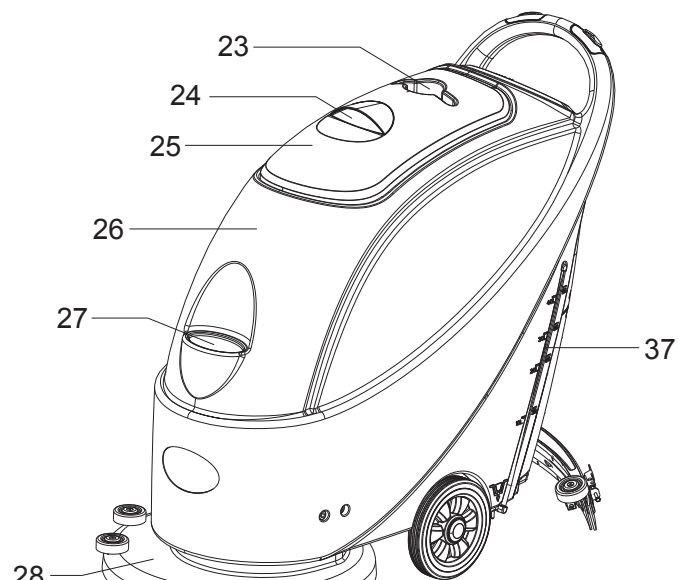
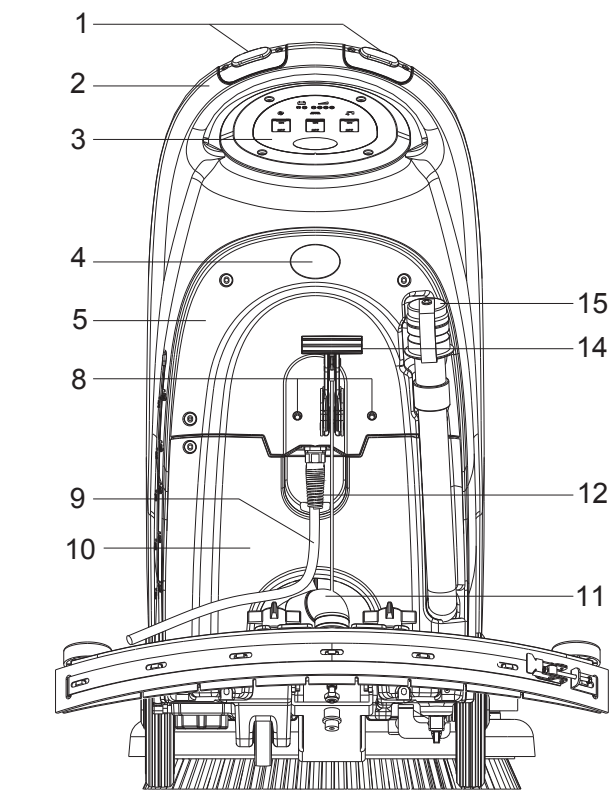
Modelo	CA30 17E
Altura de la máquina	980mm
Capacidad del depósito para la solución	50 litros
Capacidad del depósito de recogida	50 litros
Diámetro de la rueda de transporte	200mm
Diámetro de la rueda de guía	63,5mm
Potencia del motor del sistema de aspiración	400w
Pendiente máxima cuando se trabaja	2% (Max)
Nivel de presión sonora en el lugar de trabajo	72dB(A) ±3dB(A)
Longitud del cable	20m
Capacidad del circuito del sistema de aspiración	1200 mm H <sub>2</sub> O
Anchura de limpieza	430mm
Anchura de la escobilla	730mm
longitud máxima de la máquina	1.060mm
Ancho de la máquina sin escobilla	480mm
Diámetro del cepillo	430mm
Peso con los depósitos vacíos	70kg
Peso bruto de la máquina lista para usar	120kg
Potencia del motor del cepillo	750W
Velocidad del cepillo	150rpm
Presión máxima del cepillo/portabayetas	32kg (Max)
Medida del paquete (Lx Ax A)	1200 x 610 x 1170mm

**COMPONENTES DE LA MÁQUINA**

1. Botón de seguridad
2. Asa
3. Panel de control
4. Placa con número de serie y datos técnicos
5. Tapa de control
6. N/D
7. N/D
8. Interruptor de reinicio
9. Cable de corriente
10. Tapa
11. Tubo de drenaje
12. Cable de elevación de la escobilla
13. N/D
14. Palanca elevadora de la escobilla
15. Tapón de drenaje
16. Manija de la escobilla
17. Presilla de la escobilla
18. Hoja de la escobilla
19. Abrazadera de la escobilla
20. Perilla de ajuste de la escobilla
21. Bastidor de apoyo trasero de la escobilla
22. Bastidor de apoyo delantero de la escobilla
23. Soporte de cubeta
24. Manija de la tapa del depósito de recuperación
25. Tapa del depósito de recuperación
26. Depósito de recuperación
27. Carga de solución
28. Plataforma de cepillos
29. Cepillo/ portabayetas
30. Motor de aspiración
31. Motor de la escobilla
32. Rueda de 8"
33. N/D
34. Tubo de aspiración
35. Caja eléctrica
36. Filtro flotante
37. Tubo de nivel de agua

**PANEL DE CONTROL**

38. Conmutador de corriente
39. Interruptor de aspiración
40. Interruptor de la solución



## GUÍA DE USO

### ⚠ ¡ADVERTENCIA!

En ciertas partes de la máquina tienen pegados algunos signos indicativos:

### ⚠ ¡PELIGRO!

### ⚠ ¡ADVERTENCIA!

### ⚠ ¡PRECAUCIÓN!

## CONSULTE

Al leer este manual, el operador debe prestar especial atención a los símbolos en estas etiquetas. En ningún caso deben cubrirse estas etiquetas. Si están dañadas, reemplácelas inmediatamente.

## ANTES DE ARRANCAR LA MÁQUINA

### INSTALACIÓN Y REMOCIÓN DEL CEPILLO/PORTABAYETAS

#### NOTA

Según el tipo de suelo a limpiar, la máquina se puede instalar con el cepillo (Figura 3, A), o un portabayetas (Figura 3, B y C).

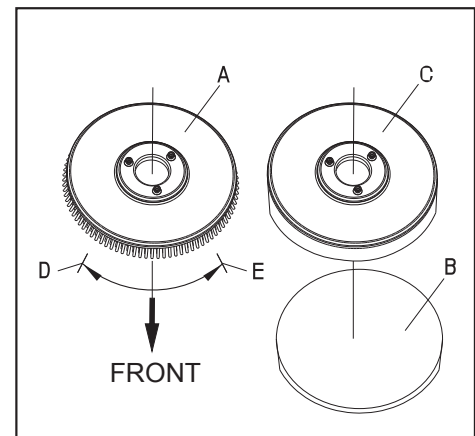
### ⚠ ¡PRECAUCIÓN!

Al instalar o quitar el cepillo/portabayetas manualmente, primero asegúrese de que todos los interruptores estén en la posición "off" (apagado) y que la escobilla esté levantada del suelo. Solamente después puede trabajar con el cepillo o portabayetas. Siempre utilice guantes de protección.

1. Asegúrese de que el cable de alimentación (9) esté desconectado la fuente de alimentación y el interruptor (38) esté en posición desconectado (Off)
2. Presione hacia abajo el mango (2) para levantar el cuerpo de depósito (26).
3. Coloque el cepillo (A) o el portabayetas (B - C) debajo de la caja.
4. Utilice la manija (2) para bajar el cuerpo de depósito (26) a tomar contacto con el cepillo o portabayetas.
5. Para instalar el cepillo o portabayetas, adjuntar manualmente siguiendo la punta de la flecha (D) (como se muestra en la Figura 3).
6. Retirar girando el cepillo o portabayetas en la dirección opuesta.. (Figura 3)

### AJUSTE DE LA ESCOBILLA

7. Instale la escobilla y apriete las perillas. A continuación, conecte la manguera de aspiración al conjunto de la escobilla.
8. Ajuste la escobilla mediante la manija de ajuste (A) de la escobilla (Figura 4).
  1. Si la sección media del soporte trasero de la escobilla, sección B, tiene una brecha con el suelo o la presión hacia abajo es relativamente ligera, ajuste el mango en el sentido contrario a las agujas del reloj hasta que toda la longitud de la tira de la escobilla trasera toque bien con el suelo. La tira de la escobilla delantera debe tocar ligeramente el suelo.
  2. Si los dos extremos de la tira de la escobilla trasera, las secciones C y D, tienen un vacío con el suelo o la presión hacia abajo es relativamente ligera, ajuste el mango en sentido horario hasta que toda la longitud de la tira de la escobilla trasera toque bien con el suelo. La tira de la escobilla delantera debe tocar ligeramente el suelo.



**FIGURA 3**

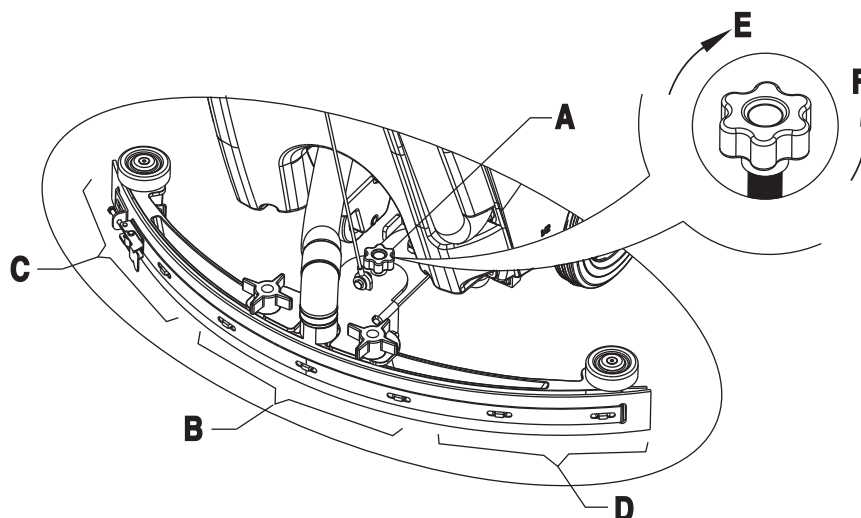


FIGURA 4

## LLENADO DEL DEPÓSITO DE SOLUCIÓN

### ⚠ ¡PRECAUCIÓN!

Usar solamente detergentes de baja espuma, no inflamables. Estos detergentes deben ser adecuados para el uso en fregadoras.

- Abra la tapa de entrada de agua (27) y añada agua al depósito de solución. No sobrecargue el depósito. Cuando prepare las soluciones de limpieza, por favor, siga las medidas de dilución suministradas por el fabricante de productos químicos. La temperatura del agua no debe superar los 40 ° C.

## REGULACIÓN DEL CAUDAL DE AGUA

### ⚠ ¡ADVERTENCIA!

La regulación del mango de la válvula de bola (A, Figura 5) debe hacerse cuando el interruptor de encendido (38) esté en la posición "Off" (apagado).

- El volumen del caudal de agua puede ajustarse a través del mango de la válvula de bola (A, Figura 5) de acuerdo con la cantidad de agua necesaria para su aplicación de lavado.

## ARRANQUE Y DETENCIÓN DE LA MÁQUINA

Arrancando la máquina

- Realice los pasos preparatorios como se indicó anteriormente.
- Presione el interruptor de encendido (38) en la posición "I".
- Utilice el mango de escobilla (14) para bajar la escobilla.
- Presione el interruptor de aspiración (39) en la posición "I".
- Presione el interruptor de solución (40) en la posición "I". (Trabajar simultáneamente con el interruptor de seguridad (1) para controlar la válvula de solenoide).
- Presione el interruptor de encendido/apagado (1) y empuje para mover la máquina. Cuando se aprieten los interruptores, el cepillo (29) girará, y la solución fluirá.

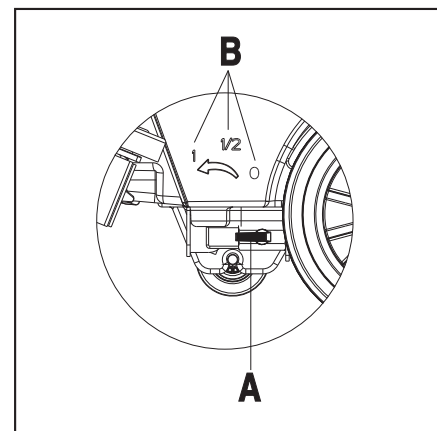


FIGURA 5

## CONSULTA:

Cada interruptor de seguridad es capaz de controlar de forma independiente el funcionamiento del cepillo. Durante el uso, eso facilita el control de la operación de la máquina. Se fomenta a los operadores a encontrar la posición más cómoda a sus manos.

## APAGAR LA MÁQUINA

7. Cuando haya terminado de usar la máquina, primero retire el cepillo/portabayetas (consulte los pasos mencionados anteriormente)
8. Suelte el interruptor de seguridad (1) para desactivar el soporte del cepillo/almohadilla y la válvula de solenoide.
9. Presione el interruptor de aspiración (39) a la posición "Off", y la aspiración se retrasará durante 5 segundos antes de detenerse.
10. Presione el interruptor de control de solución (40) a la posición "Off" para detener completamente el flujo de la solución.
11. Presione el interruptor de encendido (38) en la posición "Off" (apagado). Y desconecte el cable de alimentación (9) de la fuente de alimentación.
12. Use el mango de elevación de la escobilla (14) para levantar la escobilla.
13. Tome el mango (2) e incline suavemente la máquina hacia atrás hasta que la rueda de guía (B) toque el suelo. Consulte la figura 7.



FIGURA 6

## FUNCIONAMIENTO DE LA MÁQUINA

1. Inicie la máquina de acuerdo con la descripción anterior.
2. Mantenga pulsado el interruptor de encendido/apagado (1) (Figura 6), empuje para mover la máquina, e iniciar el fregado.
3. Si es necesario, apague la máquina y ajuste la escobilla. (Consulte los pasos para el ajuste de la escobilla)
4. Si es necesario, apague la máquina y ajuste el flujo de solución con el mango de la válvula de bola. (Consulte los pasos para el ajuste del flujo de la solución)

## ⚠ ¡PRECAUCIÓN!

Con el fin de evitar daños en el piso, cuando la máquina se quede en un solo lugar sin moverse, quite las manos de los interruptores y apague el interruptor principal (38).

## VACIADO DEL DEPÓSITO

Cuando el tanque de recuperación esté lleno, un dispositivo flotante de cierre (36) bloqueará la entrada que conecta con el motor de aspiración. A través de un aumento repentino de ruido desde el motor de aspiración, se puede considerar que el depósito de recuperación está lleno y que requiere vaciado inmediato.

## ⚠ ¡PRECAUCIÓN!

Si el motor de aspiración se ha detenido repentinamente (debido al movimiento repentino que resulta en una activación del flotante), y se necesita un reinicio de la operación, por favor siga los siguientes pasos: pulse el interruptor de encendido (38 y 39) para apagar la potencia y el motor de aspiración, y abra la tapa del depósito de recuperación (25) para comprobar si el flotante ha vuelto a la superficie del agua. Cierre la tapa del depósito de recuperación (25), y pulse el interruptor de encendido (38 y 39) para conectar la alimentación principal y el motor de aspiración.

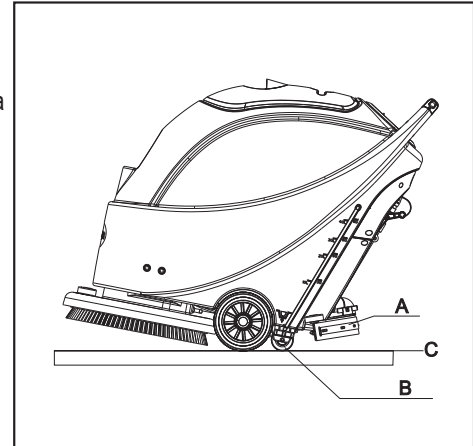


FIGURA 7

## VACIADO DEL DEPÓSITO DE RECUPERACIÓN

1. Apague la máquina.
2. Levante el conjunto de la escobilla (14).
3. Corra la máquina a una zona dedicada al drenaje.
4. Tome el mango (2) e incline suavemente la máquina hacia atrás hasta que la rueda de guía toque el suelo.
5. Retire la manguera de drenaje de la pinza, doble el extremo superior de la manguera de drenaje (A, Figura 8), y luego retire el tapón de la manguera de drenaje. Baje la manguera a un nivel bajo o en el suelo para drenar el agua. Alternativamente, coloque la manguera de drenaje en una posición baja o en el suelo para que la salida de agua quede boca abajo (B, Figura 8), y luego torcer abriendo la tapa de drenaje para drenar el agua residual del depósito. Una vez completado el drenaje, enjuague el interior del depósito de recuperación con agua limpia

### ⚠ ¡PRECAUCIÓN!

Al drenar el agua residual, la manguera de drenaje debe ser doblada o bajada a una posición más baja (Figura 8 A o B), y la tapa retirada para drenar las aguas residuales. No permita que se abra la manguera de drenaje hacia arriba, ya que podrían mojar al usuario.

## VACIAMIENTO DEL DEPÓSITO DE SOLUCIÓN

6. Completa los pasos 1 a 4.
7. Como se muestra en la Figura 9, gire la tapa del depósito de solución (A) en sentido contrario a las agujas del reloj (en dirección C), para drenar el depósito de la solución por completo. Use agua limpia para enjuagar el interior del depósito de solución. Una vez terminado, coloque la tapa del depósito de solución (A) girando en el sentido horario en la dirección (B).

## DESPUÉS DE CADA USO

Una vez terminado el trabajo y antes de dejar la máquina, debe seguir los siguientes pasos:

1. Retire los cepillos o portabayetas.
2. Vacíe el depósito de solución y enjuague con agua limpia.
3. Vacíe el depósito de recuperación y enjuague con agua limpia.
4. Lleve a cabo los procedimientos de mantenimiento diario. (Vea la sección de mantenimiento)
5. Retire y enjuague conjunto de la escobilla con una toalla húmeda.
6. Mantenga la tapa del depósito de recuperación sin sellar para que el aire fresco circule libremente

## PRIMER USO

Después de las primeras 9 horas de uso, por favor revise los componentes para asegurarse de que todas las conexiones (tanto mecánicas como eléctricas) estén ajustadas y de compruebe si hay algún daño que pudiera haber ocurrido durante la operación. Verifique si hay fugas de agua.

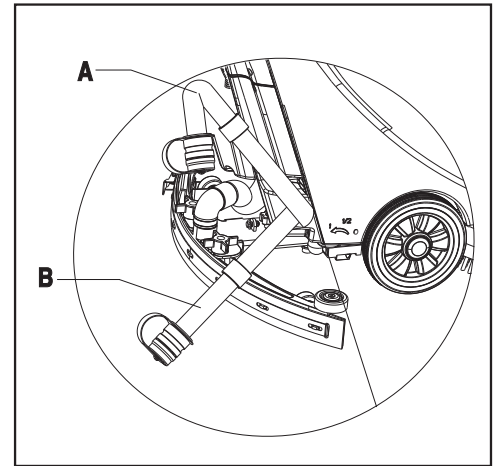


FIGURA 8

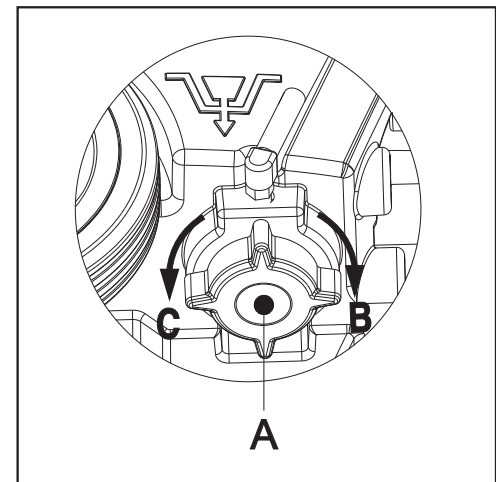


FIGURA 9

## MANTENIMIENTO Y CUIDADO

La vida útil y la máxima seguridad en el uso de la máquina están asegurados por el mantenimiento y el cuidado adecuado y oportuno. La siguiente tabla es una guía de mantenimiento de rutina para la máquina. Los intervalos de tiempo de mantenimiento son determinados en gran medida, por las condiciones de trabajo de la máquina. Estos intervalos de tiempo deben ser formulados por la persona responsable del mantenimiento.

### ⚠ ¡ADVERTENCIA!

Estos procedimientos sólo pueden realizarse luego de que se desconecte la alimentación principal. Antes de realizar con cualquiera de los procedimientos de mantenimiento, por favor estudie detenidamente las secciones relacionadas con la seguridad.

Todo el mantenimiento debe ser realizado por personal cualificado o centros de servicio autorizados por Clarke.

Este manual sólo se refiere a los procedimientos de mantenimiento más simples y comunes.

Para cualquier mantenimiento que no figure en esta tabla de mantenimiento planificado, por favor póngase en contacto con su distribuidor local de Clarke.

## TABLA DE MANTENIMIENTO PROGRAMADO

	Luego de cada uso	Semanal	Cada seis meses	Anual
Limpiar la escobilla				
Limpiar el cepillo/portabayetas				
Limpiar el depósito de agua y el filtro flotante, inspeccionar las juntas del depósito				
Inspeccionar y cambiar las hojas de la escobilla				
Limpiar el filtro de la solución				
Limpiar el filtro del motor de aspiración				
Inspeccionar el ajuste de tuercas y tornillos			(1)	
Verificar las escobillas de carbón del motor				(2)
Verificar los cepillos de carbón del motor de aspiración				(2)

(1) = Después de las primeras 9 horas.

(2) = Este procedimiento de mantenimiento debe ser realizado por un Centro de Servicio autorizado.

## LIMPIEZA DE LA ESCOBILLA

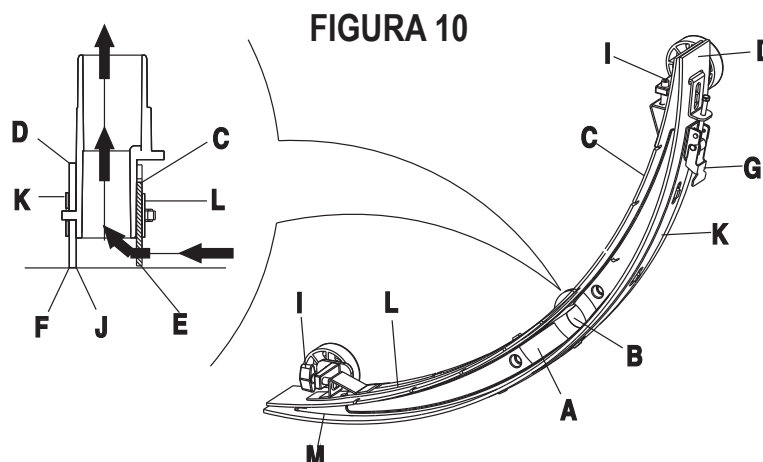
### NOTA

Con el fin de mantener el rendimiento óptimo de la escobilla, ésta debe mantenerse limpia, y las hojas de la escobilla deben mantenerse en buenas condiciones.

### ⚠ ¡PRECAUCIÓN!

Se recomienda ponerse guantes de protección al limpiar la escobilla, ya que ésta puede contener residuos cortantes.

1. Sitúe la máquina en una superficie plana y lisa.
2. Presione el interruptor de encendido (38) en la posición "O" para apagar la máquina.
3. Afloje las perillas de la escobilla (16); quite la manguera de aspiración del conjunto de la escobilla y quite la escobilla.
4. Use el mango de elevación de la escobilla (14) para levantar el soporte de montaje de la escobilla.
5. Utilizando un paño húmedo, limpie la escobilla (Figura 10). Limpie, en particular la ranura (A, Figura 10) y la suciedad y fragmentos en el tubo de vaspiración. Compruebe si las hojas de la escobilla delantera (C) y trasera (D) están intactas, y si hay bordes rotos y grietas. Reemplace si es necesario (consulte los pasos de la siguiente sección).
6. Vuelva a instalar la escobilla en el orden inverso al anterior.



## VERIFICACIÓN Y REEMPLAZO DE LA HOJA DE LA ESCOBILLA

1. Seguir los métodos relacionados en el apartado anterior limpiar la escobilla (Figura 10)
2. Compruebe el borde (E, Figura 10) de la hoja de la escobilla delantera y el borde (F) de la hoja de la escobilla trasera (D). En toda la longitud, que deben estar al mismo nivel. De lo contrario, ajuste su altura mediante el siguiente procedimiento.
  - Suelte la presilla (G) para que la hoja de la escobilla trasera (D) se separe del soporte (M) para el ajuste de la posición de la escobilla. Después del ajuste, bloquear la presilla nuevamente.
  - Afloje el tornillo del mango (I) para ajustar la hoja de la escobilla delantera (C); apriete el tornillo del mango después del ajuste.
3. Compruebe si las hojas de la escobilla delantera (C) y trasera (D) están intactas, y si hay bordes rotos y grietas. Si se encuentra algún daño, cámbielas de la siguiente manera. Si el borde delantero de la hoja de la escobilla trasera (J) se ha desgastado, se puede dar vuelta boca abajo y volver a instalar (se requiere que el borde superior que esté intacto). Si el borde superior también está desgastado, cámbielo mediante el siguiente procedimiento:
  - Suelte la presilla (G) para que la hoja de presión se separe del soporte (M), quítate la barra de presillas (K), y luego cambie o gire la escobilla trasera (D) en posición invertida. Vuelva a instalar la hoja de la escobilla trasera en el orden inverso al de quitársela.
  - Afloje el tornillo del mango (I) y quite la barra de presillas delantera (L), y luego cambie la escobilla delantera (C). Vuelva a instalar la hoja de la escobilla delantera en el orden inverso al de quitársela. Después de cambiar la hoja de la escobilla, ajustar el nivel de las hojas de la escobilla delantera y trasera mediante los procedimientos descritos anteriormente.
4. Conecte el tubo de aspiración (11) a la entrada de la escobilla.
5. Instale la escobilla y apriete las perillas.
6. Si es necesario, ajuste la escobilla girando la perilla de ajuste (20) (consulte los procedimientos para ajustar el balance de la escobilla).

## LIMPIEZA DE CEPILLO/ALMOHADILLA

### ¡PRECAUCIÓN!

Se recomienda el uso de guantes protectores al limpiar el cepillo/ portabayetas, ya que el cepillo/almoHADILLA puede contener residuos cortantes.

1. Retirar el cepillo/portabayetas.
2. Con el uso de agua y detergentes, limpie el cepillo/portabayetas.
3. Verifique el desgaste del cepillo y, si es necesario, sustituya el cepillo.
4. Verifique el desgaste del portabayetas y, si es necesario, sustitúyalo.

## DEPÓSITO DE AGUA Y MALLA DE LIMPIEZA DEL FILTRO FLOTANTE

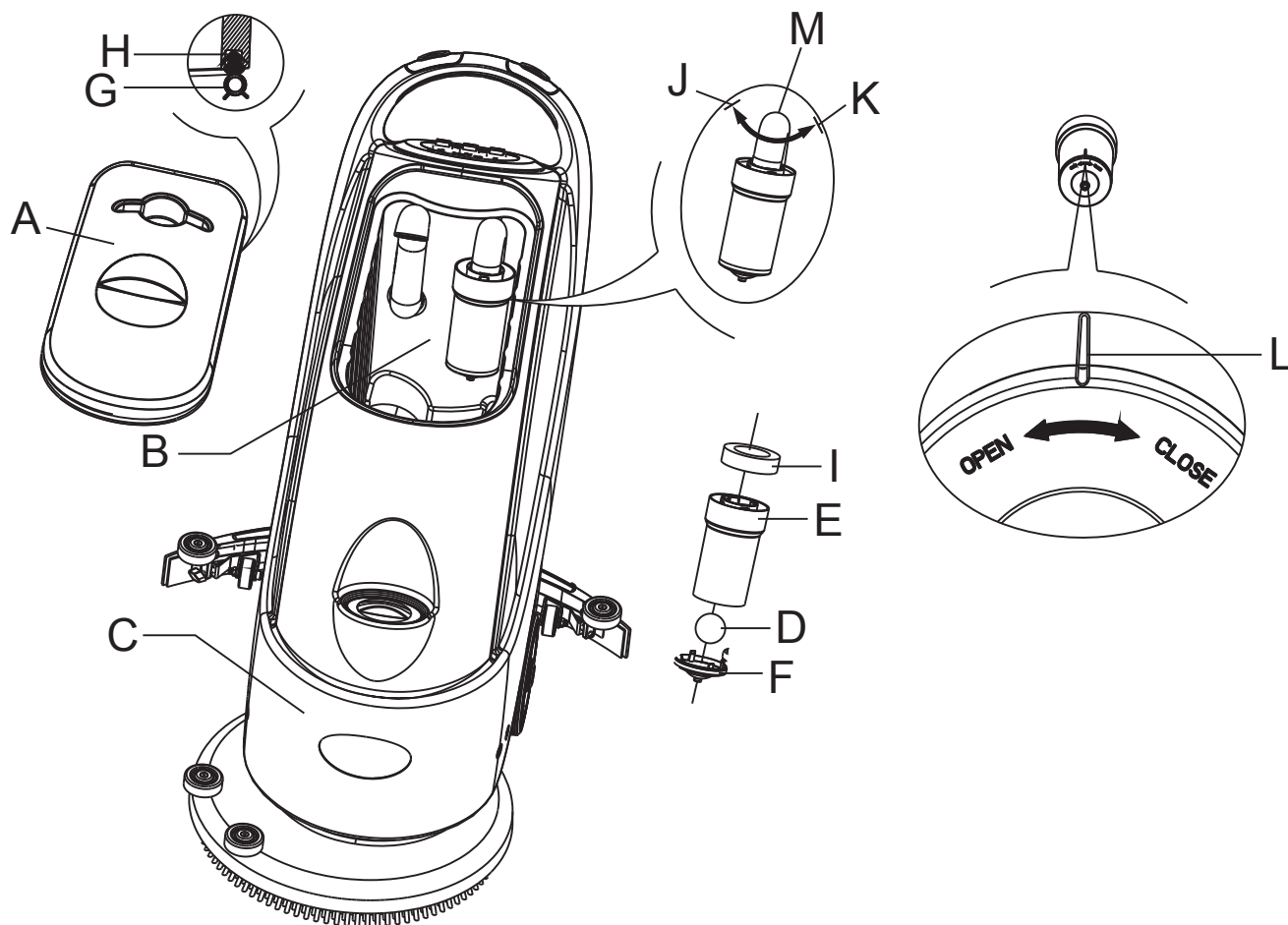
1. Corra la máquina a una zona dedicada al drenaje.
2. Presione el interruptor de encendido (38) en la posición "O" para apagar la máquina.
3. Abra la tapa del depósito de recuperación (A, Figura 11), y saque el dispositivo de flotación (36) desde el interior del tanque.
4. Use agua limpia para enjuagar la tapa del depósito de recuperación (A), el depósito (B y C), y el bastidor de soporte del filtro flotante (E). Drene toda el agua del depósito de agua.
5. Si es necesario, siguiendo los símbolos de "Abrir" y "Cerrar" como se muestra en la Figura 11, abra la tapa inferior (F) del filtro del flotante y limpie el flotante (D), el bastidor de soporte del filtro del flotante (E), y el filtro de esponja (I). Después de la limpieza, vuelva a colocar el flotante en el bastidor de soporte (E), y luego alinee la ranura (L) de la tapa inferior (F) del filtro flotante con la ranura (L) de la estructura de soporte del filtro flotante (E). Gire apretando la tapa inferior (F) del filtro flotante, y conecte nuevamente el filtro de esponja (I) en el bastidor de soporte (E), y luego en el tubo de aspiración (M).
6. Inspeccione el sello/junta (G) de la tapa del depósito de recuperación. Si es necesario, puede sacarse de la ranura (H) el sello / junta (G) del depósito de recuperación y cambiarse. Al instalar nuevamente el sello / junta, como se muestra a continuación en la Figura 11, instalar el conector a la sección media de la parte trasera.

### NOTA

El sello / junta (G) del depósito de recuperación permite al depósito crear un vacío. Debe estar completamente sellado para ser capaz de aspirar eficazmente el agua residual del piso.

7. Compruebe si la superficie de recepción de la tira de sellado (G) está intacta y los sellos adecuados.
8. Cerrar la tapa del depósito de recuperación (A).

FIGURA 11



## LIMPIEZA DEL FILTRO DE SOLUCIÓN

1. Drene toda el agua del depósito de solución como se indicó anteriormente.
2. Sitúe la máquina en una superficie plana y lisa.
3. Presione el interruptor de encendido (38) en la posición "O" para apagar la máquina.
4. Cierre la válvula de bola de drenaje (A, Figura 12) (que se encuentra en la parte inferior de la máquina, detrás de las ruedas). Válvula de bola abierta Posición B, y válvula de bola cerrada, posición C.
5. Retire la tapa transparente (D), y luego retire el filtro (E), e instálelos en la caja del filtro (F) después de la limpieza.

### NOTA

El filtro (E) debe estar adecuadamente instalado sobre la posición de la caja (G).

6. Abra la válvula de bola de drenaje (A).

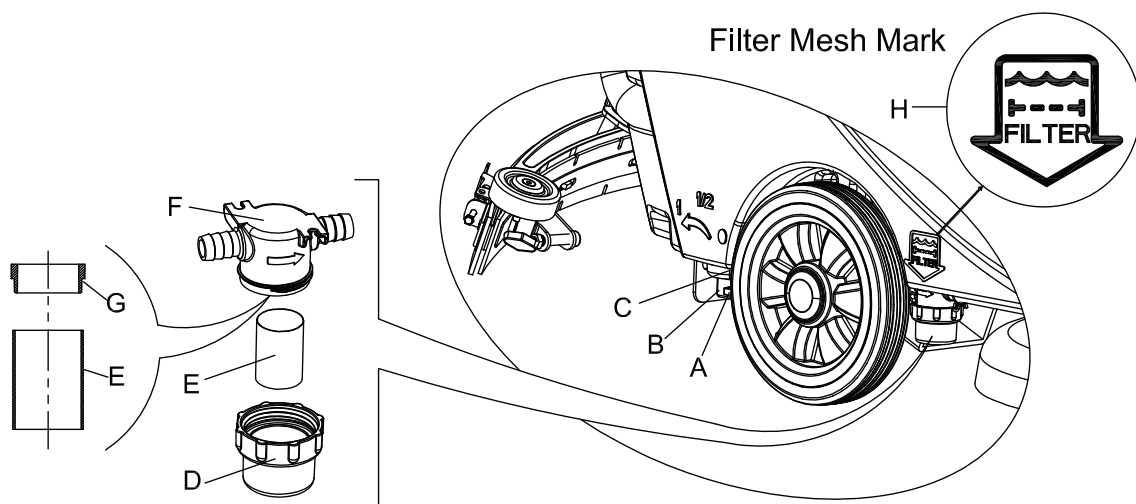


FIGURA 12

## RESOLUCIÓN DE PROBLEMAS

Detalle	Causa probable	Soluciones
La máquina no funciona	El cableado no está conectado correctamente o está dañado	Verifique el cableado o póngase en contacto con un distribuidor Clarke
	Motor de cepillo dañado	Póngase en contacto con un distribuidor Clarke
	Cepillos de carbón agotados	Póngase en contacto con un distribuidor Clarke
EL motor de aspiración no funciona	El cableado no está conectado correctamente o está dañado	Verifique el cableado o póngase en contacto con un distribuidor Clarke
	Motor de aspiración dañado	Póngase en contacto con un distribuidor Clarke
	Cepillos de carbón agotados	Póngase en contacto con un distribuidor Clarke
Poco flujo de solución o ausencia del mismo	Válvula de bola dañada	Póngase en contacto con un distribuidor Clarke
	Válvula de solución dañada	Póngase en contacto con un distribuidor Clarke
	La válvula de bola necesita ajuste	Cuando la válvula de bola está en posición horizontal, la cantidad de flujo de la solución es máximo
	Filtro sucio	Limpie el filtro
Aspiración inadecuada	El depósito de recuperación está lleno	Vacíe el depósito de recuperación
	La manguera de drenaje y la manguera de la escobilla no están conectadas correctamente	Conecte la manguera de drenaje y la manguera de la escobilla
	Filtro flotante bloqueado o entrada bloqueada	Limpie el filtro flotante, verifique la bola flotante.
	Escobilla sucia u hoja de la escobilla desgastada y dañada.	Limpie y verifique la escobilla
	Tapa del depósito de recuperación no está debidamente sellada, o el sello / junta del depósito de recuperación está dañado	Vuelva a colocar la tapa correctamente, reemplace el sello/junta del depósito de recuperación
La escobilla deja marcas	Suciedad debajo de la hoja de la escobilla	Retire los fragmentos
	Hoja de la escobilla desgastada, agrietada o quebradiza.	Reemplace la hoja de la escobilla
	El balance de la escobilla no está ajustado	Ajuste el balance

**TABLE DES MATIÈRES**

	<b>Page</b>
<b>Introduction.....</b>	<b>C-3</b>
Avant-propos .....	C-3
Objet .....	C-3
Pièces détachées et maintenance.....	C-3
Modifications et améliorations .....	C-3
Utilisation de la machine.....	C-3
Déballage/Transport.....	C-3
Consignes de sécurité .....	C-4
Données techniques.....	C-5
<b>Composants de la machine .....</b>	<b>C-6 – C-7</b>
Panneau de commande .....	C-6 – C-7
<b>Mode d'emploi .....</b>	<b>C-8</b>
Avant de démarrer la machine .....	C-8
Mise en place et démontage de la brosse et du porte-disques .....	C-8
Réglage de la raclette.....	C-8
Réglage du débit d'eau.....	C-9
Démarrage et arrêt de la machine.....	C-9
Fonctionnement de la machine .....	C-10
Vidange des réservoirs.....	C-10
Après chaque utilisation .....	C-11
Première utilisation .....	C-11
<b>Entretien et maintenance.....</b>	<b>C-12</b>
Tableau des interventions de maintenance planifiées .....	C-12
Nettoyage de la raclette.....	C-12
Vérification et remplacement des lames de la raclette .....	C-13
Nettoyage de la brosse et des disques .....	C-13
Nettoyage du réservoir d'eau et du tamis du filtre .....	C-14
Nettoyage du filtre de solution .....	C-15
<b>Dépannage .....</b>	<b>C-15</b>
<b>Liste des pièces.....</b>	<b>D-2 – D-12</b>

## INTRODUCTION

### NOTE

Les chiffres indiqués entre parenthèses correspondent aux numéros des pièces sur la vue explosée de la machine.

## AVANT-PROPOS

Ce manuel est destiné à fournir à l'opérateur toutes les informations nécessaires pour utiliser cette machine correctement et en toute sécurité. Ces informations portent notamment sur les caractéristiques techniques, les consignes de sécurité, l'utilisation, le rangement, la maintenance et la mise au rebut de la machine. Toute personne amenée à utiliser la machine ainsi que les techniciens doivent impérativement prendre de ce manuel et le lire attentivement avant d'utiliser ou d'intervenir sur la machine. Veuillez contacter votre distributeur local Clarke pour toute question concernant la machine.

## OBJECTIF

Ce manuel a pour objet d'instruire l'opérateur et le prestataire de services sur l'utilisation et la maintenance de cette machine.

## PIÈCES DÉTACHÉES ET MAINTENANCE

Toutes les procédures d'utilisation, de maintenance et de réparation doivent être effectuées par un prestataire agréé Clarke.

N'utilisez que des pièces détachées et accessoires agréés.

Pour toute intervention, demande de pièces ou d'accessoires, veuillez contacter votre distributeur Clarke

## MODIFICATIONS ET AMÉLIORATIONS

CLARKE s'emploie à améliorer sans cesse ses produits. CLARKE se réserve le droit de modifier et d'apporter des améliorations à ses machines.

Toute modification ou améliorations doit être réalisée par un prestataire agréé par Clarke.

## APPLICATION

Cette nettoyeuse industrielle est conçue pour être utilisée dans des environnements industriel et commercial et est adaptée au nettoyage de sols lisses et résistants. Elle ne doit être utilisée que par des opérateurs qualifiés et dans un environnement sécurisé. Elle n'est pas conçue pour être utilisée en extérieur, sur des moquettes ou des sols bruts.

## DÉBALLAGE ET TRANSPORT

Suivre attentivement les instructions figurant sur le colis lors du déballage de la machine.

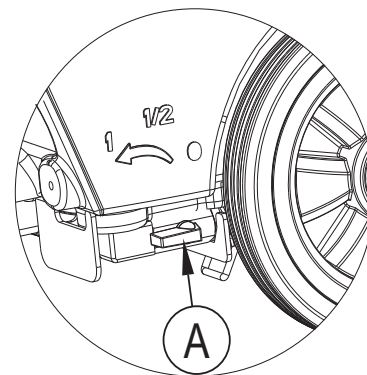
A la livraison, inspectez soigneusement la caisse et la machine afin de vous assurer qu'elles n'ont pas été abimées pendant le transport. En cas de dommages visibles, veuillez contacter le distributeur auprès de qui vous avez acheté la machine.

## ⚠ ATTENTION !

Lors du déballage et du déchargement de la machine ainsi que pendant le transport, faire attention de ne pas heurter la valve de solution. Pièce A sur la figure de droite.

Vérifiez si les éléments suivants sont bien présents dans la caisse, avec la machine :

1. Manuel d'utilisateur de la nettoyeuse



## CONSIGNES DE SÉCURITÉ

Les consignes ci-après sont destinées à attirer l'attention de l'utilisateur et à le mettre en garde contre d'éventuels dommages (corporels ou sur la machine)

### AVERTISSEMENT !

- Respectez scrupuleusement les instructions de ce manuel lors de l'utilisation de la machine. N'utilisez que des accessoires agréés par Clarke.
- Cette machine ne doit être utilisée que par un personnel formé et autorisé. Ne pas laisser des enfants ou des personnes non formées, utiliser cette machine.
- Ne porter aucun bijou, en cas d'intervention à proximité d'éléments électriques, Prendre toutes les précautions nécessaires pour éviter que vos cheveux, bijoux ou vêtements amples ne se prennent dans les pièces mobiles de la machine.
- Avant de commencer le nettoyage, il est recommandé de balayer la zone à nettoyer. Ne pas laver la machine à grande eau. Ne pas utiliser de liquides corrosifs sur ou à proximité de la machine.
- La température de stockage et de travail de la machine doit être comprise entre 0 - 40°C.
- L'humidité de l'air doit être comprise entre 30% et 105%.
- Ne pas utiliser la machine sur une surface inclinée dont la pente est supérieure à 2%.
- En cas d'incendie, utilisez des extincteurs à poudres inerte. Ne pas utiliser d'extincteur à liquide.
- Soyez particulièrement vigilant si la machine est transportée à une température inférieure à 0°C. Le réservoir d'eau et l'eau dans les tuyaux peut geler risquant d'endommager gravement la machine.
- Utilisez les brosses et les tampons fournis avec la machine ainsi que ceux indiqués dans le Manuel de l'utilisateur. Le fait d'utiliser d'autres brosses ou disques peut avoir des conséquences graves sur le plan de la sécurité.
- En cas de dysfonctionnement de la machine, assurez-vous que ceci n'est pas dû à un mauvais entretien. Si ce dysfonctionnement est dû à d'autres causes, contactez votre centre d'entretien local agréé par Clarke. S'il est confirmé que des pièces doivent être remplacées, veillez à bien prendre des pièces d'origine chez votre distributeur local Clarke.
- Afin de garantir le bon fonctionnement de la machine, il est conseillé de faire appel à un prestataire agréé Clarke pour effectuer les opérations de maintenance planifiée conformément au programme de maintenance détaillé dans ce manuel.
- En cas de mise au rebut de la machine, veuillez respecter la législation et les réglementations locales (voir le chapitre Mise au rebut de la machine).

**CARACTÉRISTIQUES TECHNIQUES**

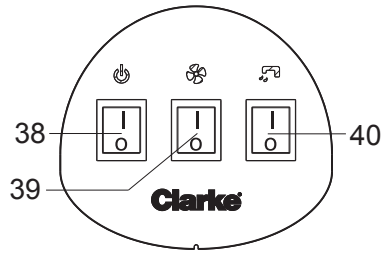
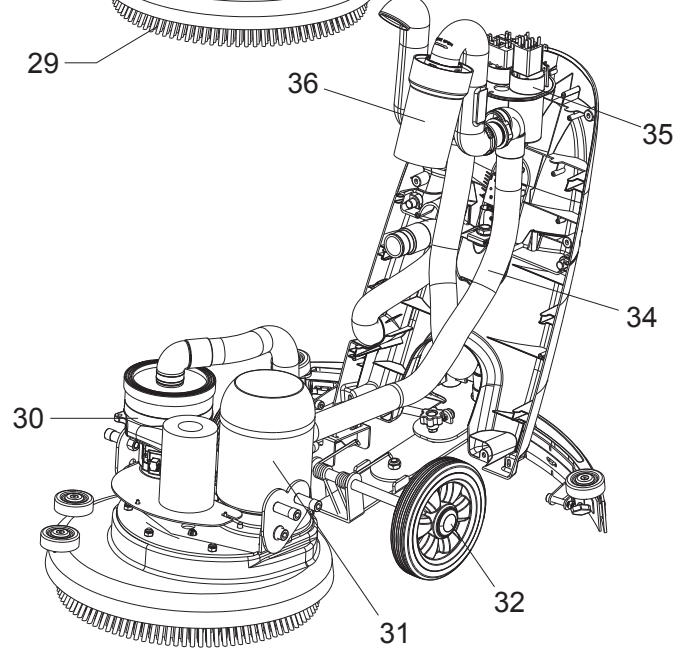
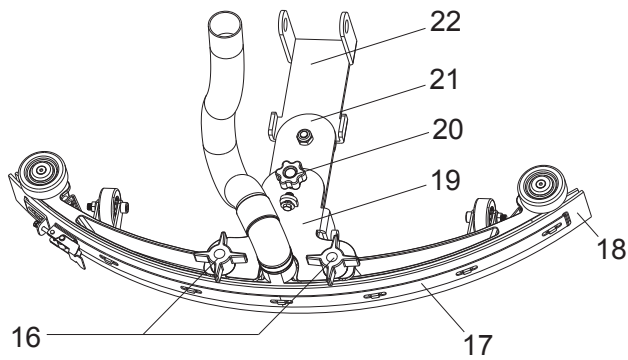
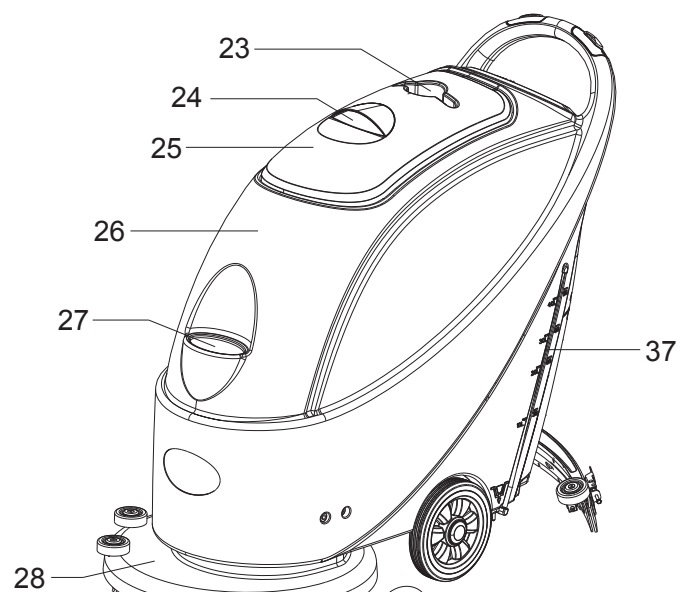
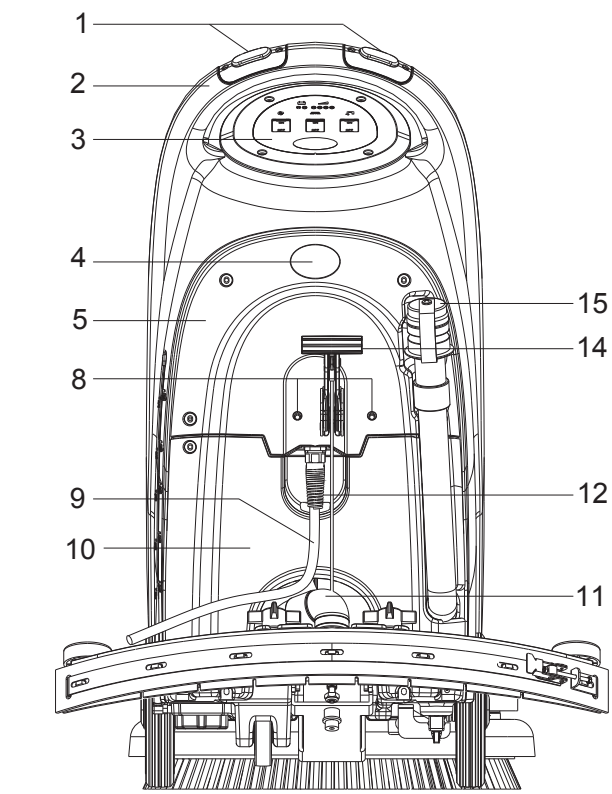
Modèle	CA30 17E
Hauteur de la machine	980 mm
Capacité du réservoir de solution	50 litres
Capacité du réservoir de récupération	50 litres
Diamètres des roues	200 mm
Diamètres de la roue de guidage	63,5 mm
Puissance du moteur du système d'aspiration	400 w
Pente maximum pour l'utilisation de la machine	2% (Max)
Niveau de pression sonore au poste de travail	72 dB(A) ±3 dB(A)
Longueur de câble	20 m
Capacité du circuit d'aspiration	1200 mm H <sub>2</sub> O
Largeur de travail	430 mm
Largeur de la raclette	730 mm
Longueur maximum de la machine	1060 mm
Largeur de la machine sans la raclette	480 mm
Diamètre de la brosse	430 mm
Poids de la machine (réservoirs vides)	70 kg
Poids brut de la machine prête à l'emploi	120 kg
Puissance du moteur de la brosse	750 W
Vitesse de la brosse	150 tr/mn
Pression maximum de la brosse/du porte-disque	32 kg (Max)
Dimensions du colis (L x l x h)	1200 x 610 x 1170 mm

**COMPOSANTS DE LA MACHINE/NOMENCLATURE**

1. Interrupteur de sécurité
2. Poignée
3. Panneau de commande
4. Plaque d'identification (Numéro de série)/Caractéristiques techniques
5. Capot de protection
6. N/C
7. N/C
8. Interrupteur de réinitialisation
9. Câble d'alimentation
10. Couvercle
11. Tuyau de vidange
12. Câble de relevage de la raclette
13. N/C
14. Poignée de levage de la raclette
15. Bouchon de vidange
16. Écrou de fixation de la raclette
17. Attache de fixation de la raclette
18. Lame de la raclette
19. Patte de fixation de la raclette
20. Bouton de réglage de la raclette
21. Châssis arrière de la raclette
22. Châssis avant de la raclette
23. Porte coupelle
24. Poignée du couvercle du réservoir de récupération
25. Couvercle du réservoir de récupération
26. Réservoir de récupération
27. Orifice de remplissage de solution
28. Plateau de la brosse
29. Moteur de la brosse / du porte-disque
30. Moteur du système d'aspiration
31. Moteur de la brosse
32. Roue 8 pouces
33. N/C
34. Tuyau d'aspiration
35. Boîtier électrique
36. Filtre du flotteur
37. Jauge de niveau d'eau

**PANNEAU DE COMMANDE**

38. Interrupteur d'alimentation
39. Commutateur d'aspiration
40. Interrupteur de solution



**MODE D'EMPLOI****⚠ AVERTISSEMENT !**

Sur certaines parties de la machine sont apposés des autocollants de mise en garde :

**⚠ DANGER !****⚠ AVERTISSEMENT !****⚠ ATTENTION !****CONSULTATION**

Lors de la lecture de ce manuel, l'opérateur doit faire particulièrement attention aux symboles figurant sur ces étiquettes. Ces étiquettes ne doivent en aucun cas être cachées. Si elles sont abimées, elles doivent être remplacées immédiatement.

**AVANT DE DÉMARRER LA MACHINE****MISE EN PLACE ET DÉMONTAGE DE LA BROSSE/DU PORTE-DISQUES****NOTE**

Selon le type de sol à nettoyer, la machine peut être équipée d'une brosse (Figure 3, A), ou d'un porte-disques (Figure 3, B et C).

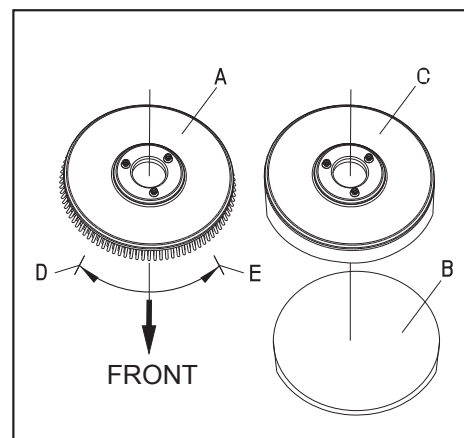
**⚠ ATTENTION !**

Lors de la mise en place ou de la dépose, manuelle de la brosse ou du porte-disque, assurez-vous en premier lieu que tous les interrupteurs sont en position « arrêt » (off) et que la raclette est en position relevée. Ce n'est qu'après vous être assuré de ces consignes que vous pourrez intervenir sur la brosse ou le porte-disque. Portez toujours des gants de protection.

1. Assurez-vous que le câble d'alimentation (9) est débranché de la source d'alimentation et que l'interrupteur (38) est en position d'arrêt (Off).
2. Appuyez sur la poignée (2) pour relever la cuve du réservoir (26).
3. Placez la brosse (A) ou le porte-disque (B – C) sous le carter.
4. A l'aide de la poignée (2), abaissez la cuve du réservoir (26) de façon à ce qu'elle vienne en contact avec la brosse ou le porte-disque.
5. Fixez manuellement la brosse ou le porte-disques en vous référant au sens de la flèche (D), (comme illustré Figure 3).
6. Pour démonter la brosse ou le porte-disque, tournez l'ensemble dans le sens opposé jusqu'à ce que vous puissiez le retirer. (Figure 3)

**RÉGLAGE DE LA RACLETTE**

7. Mettez la raclette en place et serrez les écrous de fixation. Branchez ensuite le tuyau d'aspiration sur la raclette.
8. Réglez la raclette à l'aide du bouton de réglage (A) (Figure 4).
  1. Si la section intermédiaire de la partie arrière de la raclette (section B), ne repose pas parfaitement sur le sol ou si la pression exercée est trop faible, tournez le bouton de réglage dans le sens contraire des aiguilles d'une montre, jusqu'à ce que toute la bande arrière de la raclette soit en contact avec le sol. La bande avant de la raclette doit effleurer légèrement le sol.
  2. Si les deux extrémités de la bande arrière de la raclette (sections C et D), ne reposent pas parfaitement sur le sol ou si la pression exercée est trop faible, tournez le bouton de réglage dans le sens des aiguilles d'une montre, jusqu'à ce que toute la bande arrière de la raclette soit en contact avec le sol. La bande avant de la raclette doit effleurer légèrement le sol.

**FIGURE 3**

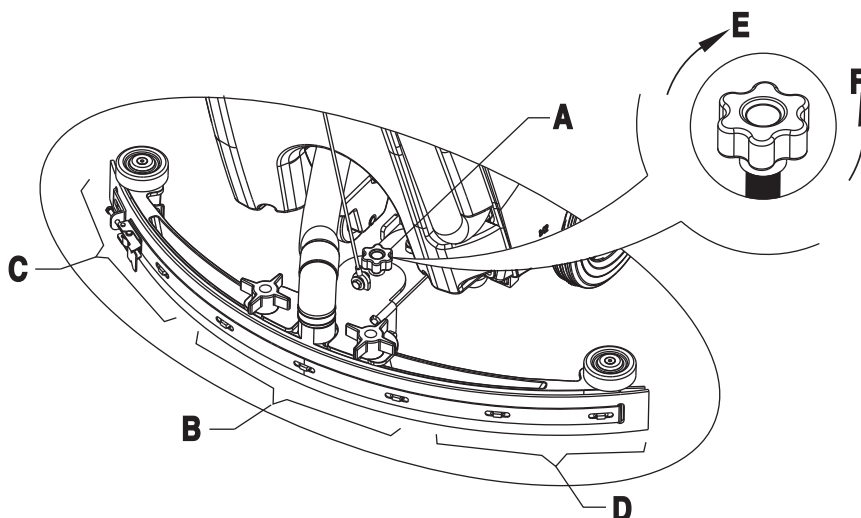


FIGURE 4

## REPLISSAGE DU RÉSERVOIR DE SOLUTION

### ⚠ ATTENTION !

N'utilisez que des détergents qui moussent peu et qui sont ininflammables. Ces détergents doivent être adaptés pour une utilisation sur des nettoyeuses.

- Ouvrez le couvercle d'admission d'eau (27) et ajoutez de l'eau dans le réservoir de solution. Ne pas trop remplir le réservoir. Lors de la préparation de la solution de nettoyage, respectez les taux de dilution indiqués par le fabricant du produit. La température de l'eau ne doit pas excéder 40°C.

## RÉGLAGE DU DÉBIT D'EAU

### ⚠ AVERTISSEMENT !

Le réglage de la poignée du clapet à bille (A, Figure 5) doit être effectué lorsque l'interrupteur principal (38) est en position arrêt (Off).

- Le débit d'eau peut être réglé à l'aide de la poignée du clapet à bille ((A, Figure 5) en fonction de la quantité d'eau nécessaire pour le nettoyage à réaliser.

## DÉMARRAGE ET ARRÊT DE LA MACHINE

Démarrage de la machine

- Effectuez à toutes les opérations de préparation décrites précédemment.
- Appuyez sur l'interrupteur principal (38) pour le mettre sur la position "I".
- A l'aide de la poignée de réglage de la raclette (14), abaissez la raclette.
- Appuyez sur l'interrupteur d'aspiration (39) pour le mettre sur la position "I".
- Appuyez sur l'interrupteur de solution (40) pour le mettre sur la position "I". (Actionnez simultanément l'interrupteur de sécurité (1) afin de commander l'électrovalve).
- Appuyez sur l'interrupteur de Marche/Arrêt (1) et faites avancer la machine. Lorsque vous appuyez sur ces interrupteurs, la brosse (29) se met à tourner et la solution s'écoule.

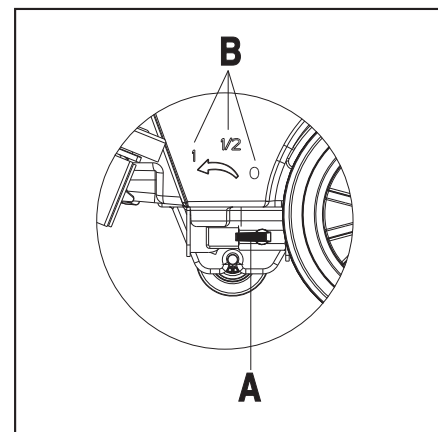


FIGURE 5

## CONSULTATION :

Chaque interrupteur de sécurité permet de contrôler de façon indépendante le fonctionnement de la brosse. Dans la pratique, cela facilite le contrôle du fonctionnement de la machine. L'utilisateur est invité à chercher la position la plus confortable pour ses mains.

## POUR ÉTEINDRE LA MACHINE.

7. Une fois le nettoyage terminé, commencez par enlever la brosse / le porte-disque (voir les instructions correspondantes, plus haut).
8. Relâchez l'interrupteur de sécurité (1) de façon à éteindre la brosse / le porte-disque et l'électrovalve.
9. Appuyez sur l'interrupteur d'aspiration (39) pour le mettre en position Arrêt ("Off") ; l'aspiration s'arrête au bout de 5 secondes.
10. Appuyez sur l'interrupteur de commande de solution (40) pour le mettre en position Arrêt ("Off") de façon à arrêter complètement l'arrivée de solution.
11. Appuyez sur l'interrupteur principal (38) pour le mettre sur la position "Off". Et débranchez le câble d'alimentation (9) de l'alimentation principale.
12. A l'aide de la poignée de réglage de la raclette (14), relevez la raclette.
13. Saisissez la poignée (2) et inclinez doucement la machine vers l'arrière, jusqu'à ce que la roue de guidage (B) touche le sol. Voir Figure 7.



FIGURE 6

## FONCTIONNEMENT DE LA MACHINE

1. Démarrez la machine en procédant comme indiqué précédemment.
2. Tenez l'interrupteur Marche/Arrêt (1) (Figure 6) ; poussez la machine pour la faire avancer et commencez le nettoyage.
3. Si nécessaire, arrêtez et coupez l'alimentation de la machine pour régler la raclette. (Voir la procédure de réglage de la raclette, décrite précédemment)
4. Si nécessaire, éteignez la machine pour régler le débit de solution à l'aide de la poignée du clapet à bille. (Voir la procédure de réglage du débit de solution, décrite précédemment)

## ⚠ ATTENTION !

Pour ne pas abîmer le sol, lorsque la machine est immobilisée à un endroit, enlevez les mains des interrupteurs de commande et éteignez la machine à l'aide de l'interrupteur principal (38).

## VIDANGE DU RÉSERVOIR

Lorsque le réservoir de récupération est plein, un système de fermeture à flotteur (36) bloque le circuit d'arrivée relié au moteur d'aspiration. Une augmentation soudaine du bruit du moteur d'aspiration indique que le réservoir de récupération est plein et doit être vidé immédiatement.

## ⚠ ATTENTION !

Si le moteur du système d'aspiration s'arrête brutalement (du fait d'un mouvement soudain résultant du déclenchement du flotteur) et si vous devez reprendre le nettoyage, procédez comme indiqué ci-après : Appuyez sur l'interrupteur Marche/Arrêt (38 et 39) pour couper l'alimentation et le moteur du système d'aspiration puis ouvrez le capot du réservoir de récupération (25) afin de vérifier si le flotteur est revenu à sa position à la surface de l'eau. Fermez le couvercle du réservoir de récupération (25) et appuyez sur l'interrupteur Marche/Arrêt (38 et 39) pour rallumer la machine et le moteur du système d'aspiration

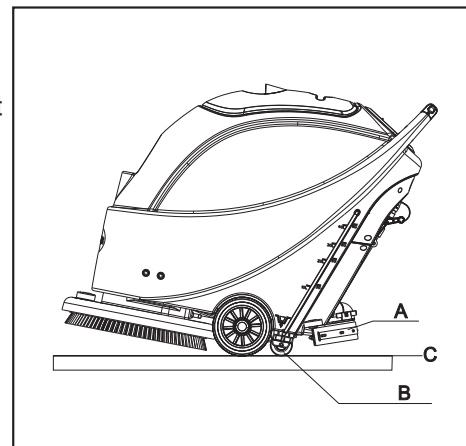


FIGURE 7

## VIDANGE DU RÉSERVOIR DE RÉCUPÉRATION

1. Eteignez la machine.
2. Relevez la raclette (14).
3. Amenez la machine à l'endroit prévu pour vidanger les réservoirs.
4. Saisissez la poignée (2) et inclinez la machine vers l'arrière, jusqu'à ce que la roue de guidage touche le sol.
5. Retirez le tuyau de vidange de son attache, courbez le l'extrémité supérieure du tuyau (A, Figure 8) et ôtez le bouchon du tuyau de vidange. Baissez le tuyau le plus bas possible ou posez-le sur le sol de façon à permettre à l'eau de s'écouler. Vous pouvez également mettre le tuyau de vidange en position basse ou le poser sur le sol de façon ce que l'orifice d'évacuation de l'eau soit orienté vers le bas (B, Figure 8) puis dévissez le bouchon de vidange pour vidanger l'eau du réservoir. Une fois la vidange terminée, rincez l'intérieur du réservoir de récupération à l'eau claire.

### ⚠ ATTENTION !

Lors de la vidange de l'eau usée, le tuyau de vidange doit se trouver plus bas (Figure 8 A ou B) et le bouchon doit être enlevé pour que l'eau usée puisse s'écouler. Veillez à ce que l'orifice du tuyau de vidange ne soit pas dirigé vers le haut, l'opérateur risquant d'être arrosé d'eau usée.

## VIDANGE DU RÉSERVOIR DE SOLUTION

6. Procédez comme indiqué aux points 1 à 4.
7. Comme illustré Figure 9, ouvrez le couvercle du réservoir de solution (A) en le tournant dans le sens contraire des aiguilles d'une montre (C) de façon à vidanger complètement le réservoir. Rincez l'intérieur du réservoir de solution à l'eau propre. Une fois cette opération terminée, remettez le couvercle du réservoir de solution (A) en place en le revissant dans le sens des aiguilles d'une montre (B).

## APRÈS CHAQUE UTILISATION

Une fois le nettoyage terminé et avant de ranger la machine, effectuez les opérations suivantes :

1. Enlevez la brosse ou le porte-disque
2. Videz le réservoir de solution et rincez-le à l'eau claire
3. Videz le réservoir de récupération et rincez-le à l'eau claire
4. Effectuez toutes les procédures d'entretien quotidien. (voir le chapitre Maintenance)
5. Démontez et rincez la raclette à l'aide d'un chiffon humide.
6. Ne pas revisser à fond le couvercle du réservoir de récupération de façon à laisser l'air circuler librement.

## PREMIÈRE UTILISATION

Au bout de 9 heures d'utilisation, vérifiez que toutes les connexions (électriques et mécaniques) sont bien serrées et que la machine n'a subi aucun dommage en cours d'utilisation. Vérifiez qu'il n'y a aucune fuite d'eau.

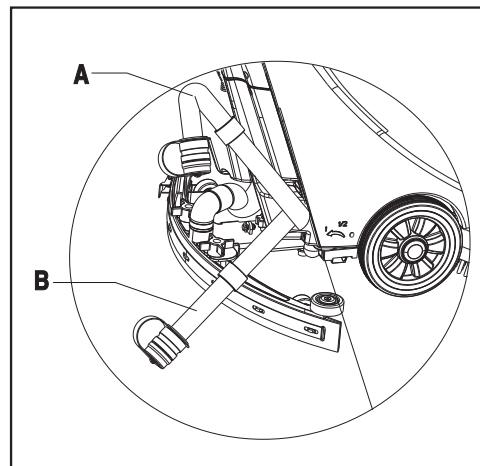


FIGURE 8

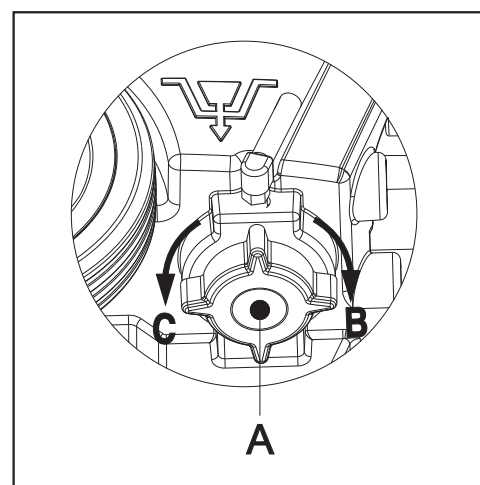


FIGURE 9

## ENTRETIEN ET MAINTENANCE

Une maintenance et un entretien adaptés et réguliers vous garantiront une durée de vie optimale et le bon fonctionnement de la machine.

Le tableau ci-dessous reprend toutes les opérations de maintenance régulière à effectuer sur la machine. La fréquence de ces interventions est déterminée dans une large mesure par les conditions d'utilisation de la machine. Ces fréquences doivent être définies par le responsable de la maintenance.

### ⚠ AVERTISSEMENT !

Ne procédez à ces opérations qu'après avoir coupé d'alimentation principale. Avant de procéder à ces interventions, veuillez lire attentivement les chapitres de ce manuel ayant trait à la sécurité.

Toute intervention de maintenance doit être réalisée par du personnel qualifié ou un centre d'entretien agréé Clarke.

Ce manuel ne traite que des opérations de maintenance les plus simples et les plus courantes.

Pour toute autre intervention de maintenance, non décrite dans le tableau des opérations d'entretien planifiées, veuillez contacter votre distributeur Clarke local.

### TABLEAU DES OPERATIONS D'ENTRETIEN PLANIFIÉES

	Après chaque utilisation	Toutes les semaines	Tous les six mois	Tous les ans
Nettoyage de la raclette				
Nettoyage de la brosse du porte-disque				
Nettoyage du réservoir d'eau et du filtre du flotteur. Inspection des joints d'étanchéité des réservoirs				
Inspection et remplacement des lames de la raclette				
Nettoyer le filtre de la solution				
Nettoyage du filtre du moteur d'aspiration				
Vérifier que les écrous et les boulons sont bien serrés			(1)	
Vérification des balais au carbone du moteur de la brosse				(2)
Vérification des balais au carbone du moteur d'aspiration*				(2)

(1) = Après 9 heures de fonctionnement.

(2) = Cette intervention de maintenance doit être exécutée par un Centre d'entretien agréé.

## NETTOYAGE DE LA RACLETTE

### NOTE

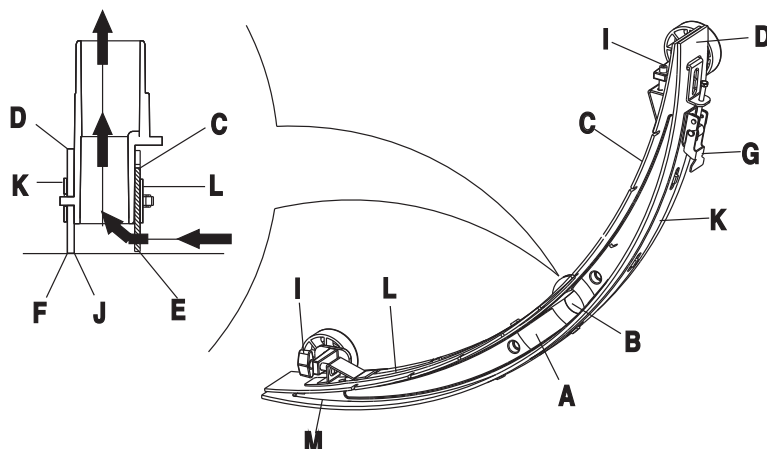
Afin de garantir des performances optimales de la raclette, celle-ci doit être conservée propre et les lames doivent être maintenues en bon état.

### ⚠ ATTENTION !

Lors du nettoyage de la raclette, il est recommandé de porter des gants de protection, la raclette pouvant contenir des débris coupants ou pointus.

1. Amenez la machine sur une surface lisse et plane.
2. Appuyez sur l'interrupteur principal (38) pour le mettre sur "O" et éteindre la machine.
3. Dévissez l'écrou de fixation de la raclette (16), retirez le tuyau d'aspiration de la raclette et déposez celle-ci.
4. A l'aide de la poignée de réglage de la raclette (14), relevez le support de fixation de la raclette.
5. A l'aide d'un chiffon humide, nettoyez la raclette (Figure 10). Nettoyez en particulier la rainure (A, Figure 10) et enlevez les saletés et les fragments accumulés sur le tuyau d'aspiration. Vérifiez que la lame avant (C) et la lame arrière (D) sont en bon état et si les bords sont fendus ou abîmés. Remplacez-les si nécessaire (voir la procédure à suivre, au chapitre suivant).
6. Remettez la raclette en place en procédant dans l'ordre inverse.

FIGURE 10



## VÉRIFICATION ET REMPLACEMENT DE LA LAME DE LA RACLETTE

1. Suite à la procédure décrite au chapitre précédent pour nettoyer la raclette (Figure 10)
2. Vérifiez le bord (E, Figure 10) de la lame avant de la raclette et le bord (F) de la lame arrière (D). Celles-ci doivent être régulières sur toute leur longueur. Si ce n'est pas le cas, réglez la hauteur de celles-ci en suivant la procédure ci-après.
  - Desserrez l'attache 'G' de façon à dissocier la lame arrière (D) du support (M) pour pouvoir régler la position de la raclette. Une fois ce réglage effectué, remettre l'attache en place.
  - Desserrez la vis située sur la poignée (I) de façon à régler la lame avant de la raclette (C) ; une fois le réglage effectué, resserrez la vis de la poignée.
3. Vérifiez que la lame avant (C) et la lame arrière (D) sont en bon état et si les bords sont fendus ou abimés. Si ceux-ci sont abimés, remplacez-les en procédant comme indiqué ci-après. Si le bord avant de la lame arrière (J) est usé, il est possible de le retourner et de le remettre en place (pour cela, le bord supérieur doit être en bon état). Si le bord supérieur est lui aussi usé, remplacez la lame en procédant comme indiqué ci-après.
  - Desserrez l'attache (G) pour dissocier la lame du support (M) ; retirez la barre d'attache (K) puis remplacez ou retournez la lame arrière (D). Remettez la lame arrière en place en procédant dans l'ordre inverse du démontage.
  - Desserrez la vis de la poignée (I) et enlevez la barre d'attache avant (L), puis remplacez la raclette avant (C). Remettez la lame avant en place en procédant dans l'ordre inverse du démontage. Après avoir remplacé la lame de la raclette, réglez le niveau des lames avant et arrière en vous référant aux procédures décrites précédemment.
4. Raccordez le tuyau d'aspiration (11) à la raclette.
5. Mettez la raclette en place et serrez les écrous de fixation.
6. Si nécessaire, réglez la raclette à l'aide du bouton de réglage (20) (voir les procédures d'équilibrage de la raclette).

## NETTOYAGE DE BROSSSE/DU TAMPON

### ATTENTION !

Lors du nettoyage de la brosse ou du porte-disque, il est recommandé de porter des gants de protection, la brosse ou le disque pouvant contenir des débris pointus ou tranchants.

1. Enlevez la brosse ou le porte-disque
2. Nettoyez la broche et le porte-disque avec de l'eau et des détergents.
3. Examinez la brosse pour voir s'il n'est pas usé et si nécessaire remplacez-la.
4. Examinez le porte-disque afin de vérifier qu'il n'est pas usé et si nécessaire remplacez-le.

## NETTOYAGE DU RÉSERVOIR D'EAU ET DU TAMIS DU FILTRE DU FLOTTEUR

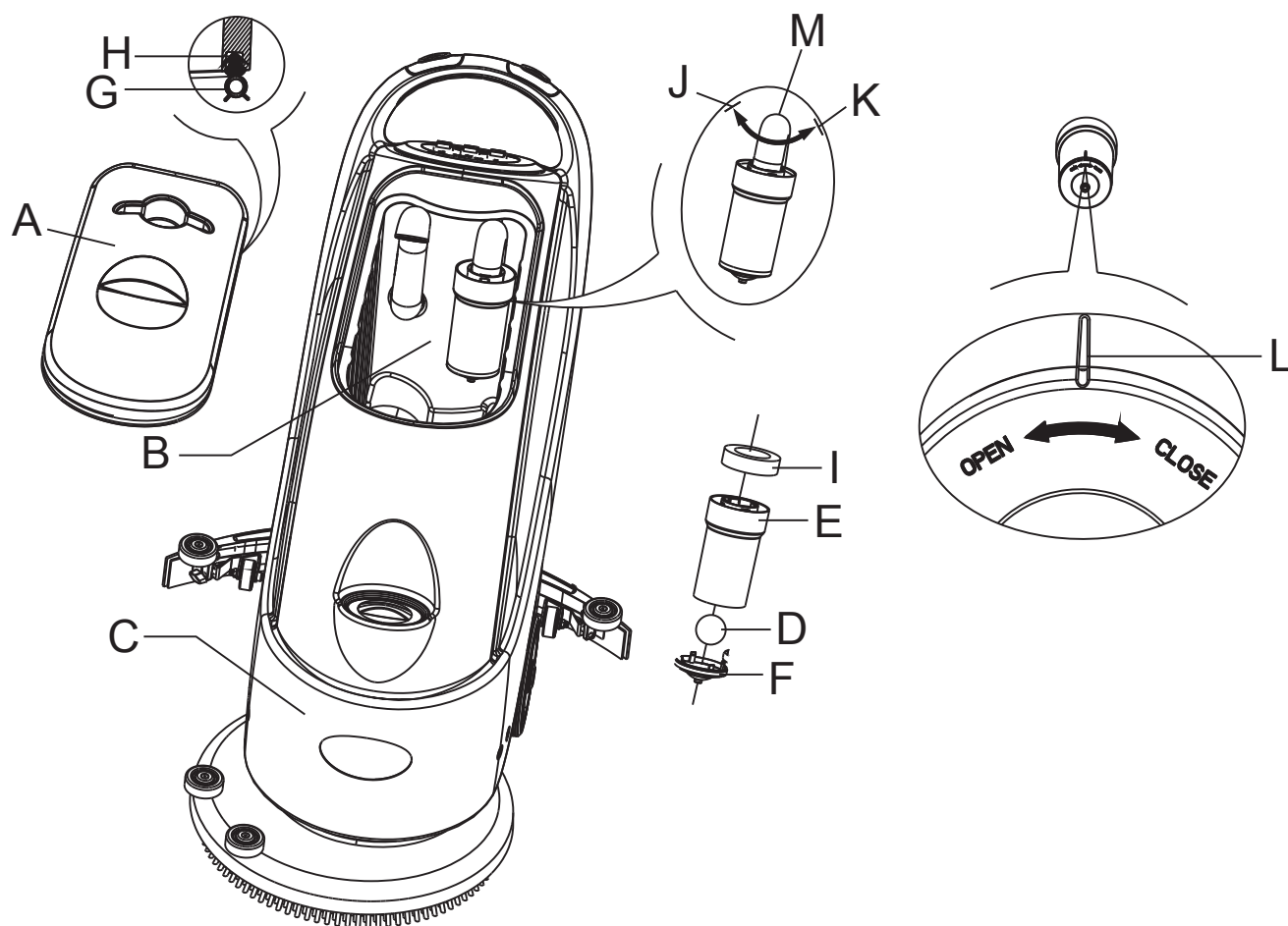
1. Amenez la machine dans un endroit prévu pour la vidange.
2. Appuyez sur l'interrupteur principal (38) pour le mettre sur "O" et éteindre la machine.
3. Ouvrez le couvercle du réservoir de récupération (A, Figure 11) et démontez le mécanisme du flotteur (36) situé à l'intérieur du réservoir.
4. Rincez à l'eau claire le couvercle du réservoir de récupération (A), le réservoir (B et C) et le châssis du filtre du flotteur (E). Vidangez toute l'eau du réservoir d'eau.
5. Si nécessaire, en vous référant aux symboles « Ouvrir » et « Fermer » repérés sur la Figure 11, ouvrez le bouchon inférieur (F) du filtre et nettoyez le flotteur (D), le boîtier du filtre (E) et le joint du filtre (I). Après avoir nettoyé ces différents éléments, refixez le flotteur sur le support (E) puis alignez la fente (L) du bouchon inférieur (F) du filtre sur la fente (L) située sur le boîtier du filtre (E). Remettez le bouchon inférieur (F) du filtre du flotteur en le serrant bien, remettez le joint du filtre (I) sur le boîtier (E), puis sur le tube d'aspiration (M).
6. Examinez le joint ou la garniture d'étanchéité (G) du couvercle du réservoir de récupération. Si nécessaire, sortez le joint d'étanchéité (G) de son logement (H) et le remplacer. Lors de la mise en place du joint neuf, comme illustré sur la Figure 11 ci-dessous, installez le connecteur de la section intermédiaire de la partie arrière.

### NOTE

Le joint d'étanchéité (G) du réservoir de récupération permet de créer le vide à l'intérieur du réservoir. Il doit être parfaitement étanche pour pouvoir aspirer efficacement l'eau usée sur le sol.

7. Vérifiez que la surface de contact de la bande d'étanchéité (G) est intacte et assure une bonne étanchéité.
8. Refermez le couvercle du réservoir de récupération (A).

FIGURE 11



## NETTOYAGE DU FILTRE DE SOLUTION

1. Vidangez toute l'eau du réservoir de solution en procédant comme indiqué précédemment.
2. Amenez la machine sur une surface lisse et plane.
3. Appuyez sur l'interrupteur principal (38) pour le mettre sur "O" et éteindre la machine.
4. Fermez le clapet à bille de vidange (A, Figure 12) (situé dans la partie inférieure de la machine, derrière les roues) Mettez le clapet à bille B en position ouverte et le clapet à bille C en position fermée.
5. Enlevez le couvercle transparent (D) puis enlevez le filtre (E) ; les placer sur le boîtier du filtre (F) après les avoir nettoyés.

### NOTE

Le filtre (E) doit être bien positionné à l'endroit précis prévu à cet effet du boîtier (G).

6. Ouvrez le clapet de vidange (A).

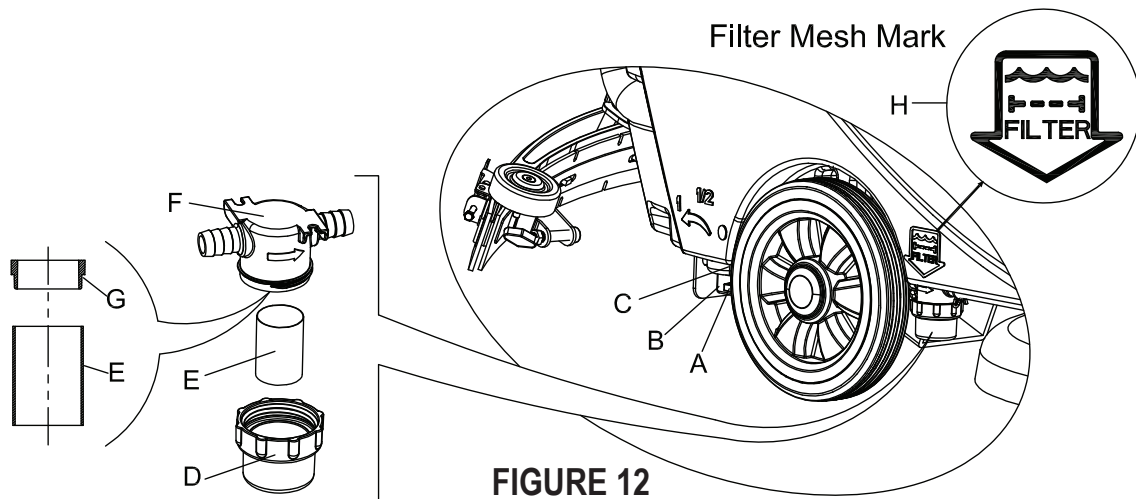
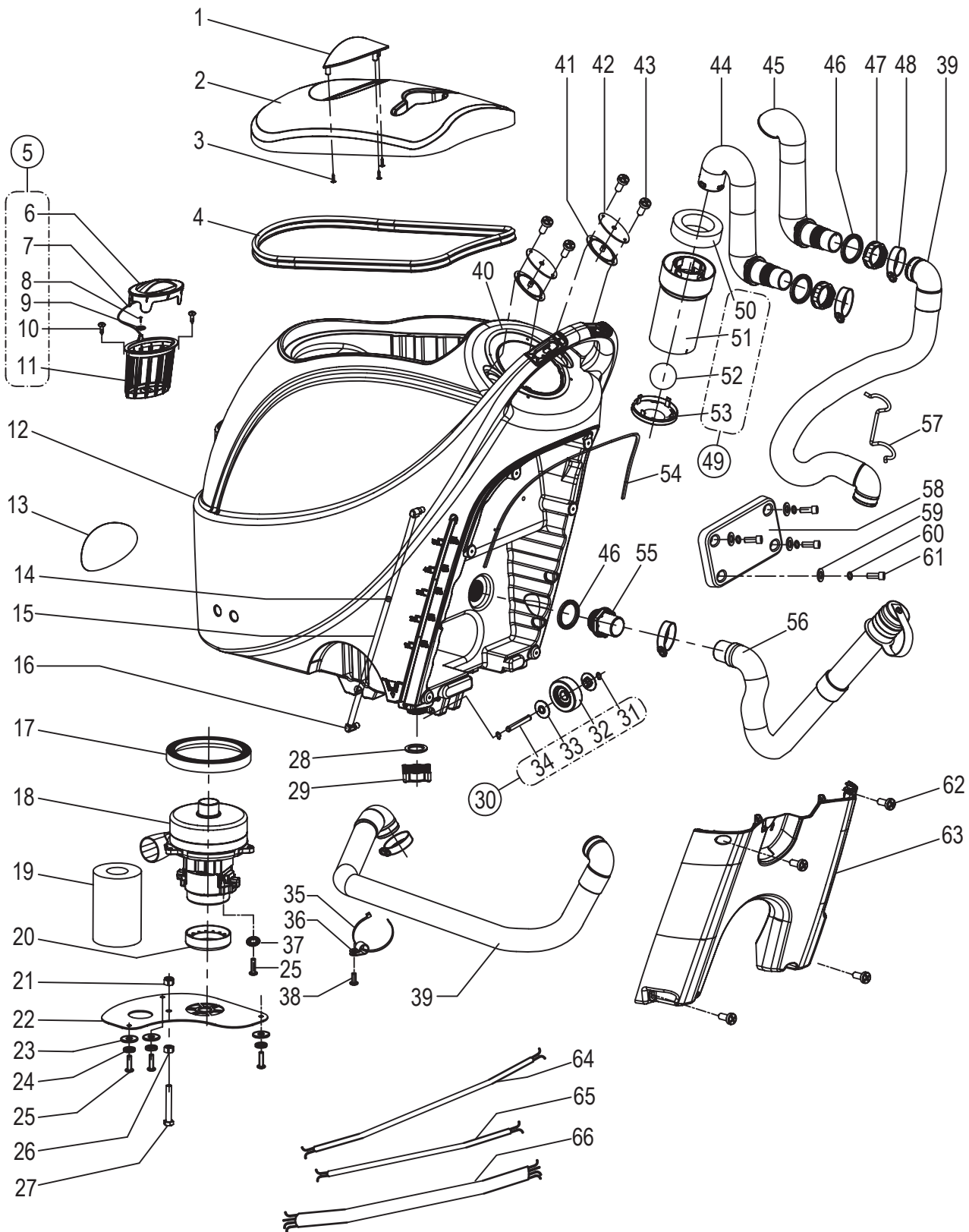


FIGURE 12

## DÉPANNAGE

Problème	Cause probable	Solutions
La machine ne fonctionne pas	Le câble n'est pas bien branché ou mal raccordé.	Vérifiez le câblage ou contactez le distributeur Clarke.
	Moteur de la brosse défectueux	Contactez le distributeur Clarke
	Les balais au carbone sont usés	Contactez le distributeur Clarke
Le moteur d'aspiration ne fonctionne pas	Le câble n'est pas bien branché ou mal raccordé.	Vérifiez le câblage ou contactez le distributeur Clarke.
	Le moteur d'aspiration est défectueux	Contactez le distributeur Clarke
	Les balais au carbone sont usés	Contactez le distributeur Clarke
La solution ne s'écoule pas ou de façon insuffisante	Le clapet à bille est défectueux	Contactez le distributeur Clarke
	Le clapet de solution est défectueux	Contactez le distributeur Clarke
	Réglez la position du clapet à bille	Lorsque le clapet est en position horizontale, le débit de solution est au maximum.
Le filtre est sale	Le filtre est sale	Nettoyez le filtre
	Le réservoir de récupération est plein	Vidangez le réservoir de récupération
	Le tuyau de vidange et le tuyau de la raclette sont mal branchés	Branchez le tuyau de vidange et le tuyau de la raclette correctement
L'aspiration ne se fait pas bien	Le filtre du flotteur est bouché ou l'orifice d'arrivée est bouché	Nettoyez le filtre du flotteur et vérifiez la bille du flotteur
	La raclette est sale ou la lame de la raclette est usée et abîmée	Examinez et nettoyez la raclette
	Le couvercle du réservoir de récupération n'est pas étanche ou le joint du réservoir de récupération est abîmé	Remettez le couvercle bien en place, remplacez le joint d'étanchéité du réservoir de récupération
La raclette laisse des marques	Il y a des saletés sous la lame de la raclette	Retirez les saletés ou débris retenus
	La lame de la raclette est usée, fendue ou effritée	Changez la lame de la raclette
	La raclette est mal équilibrée	Rééquilibrez-la

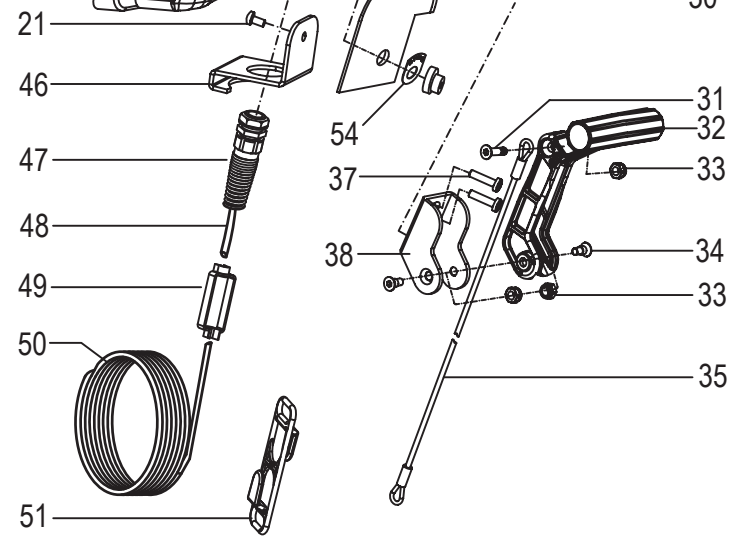
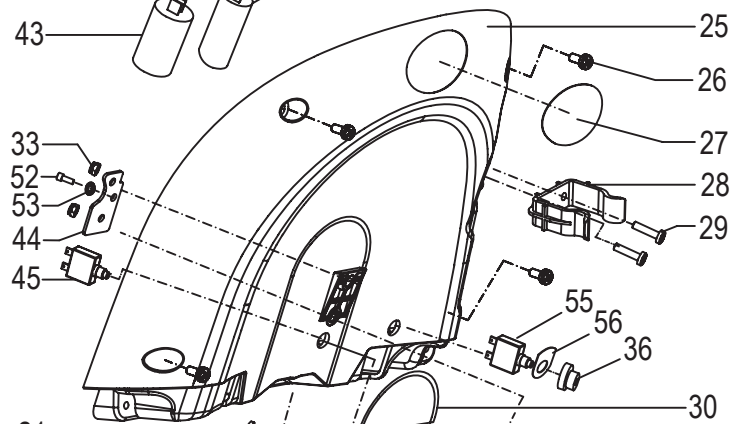
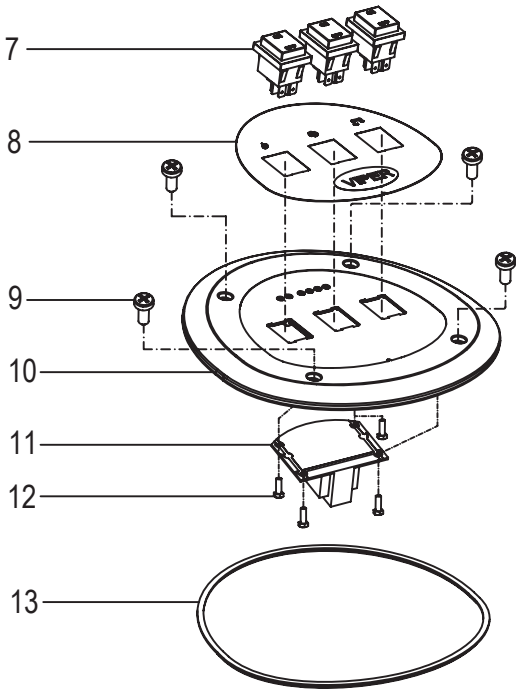
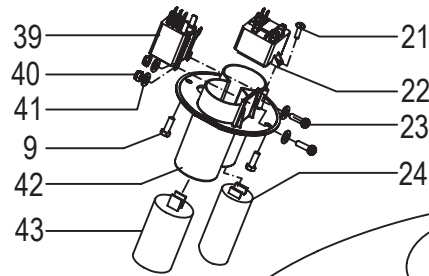
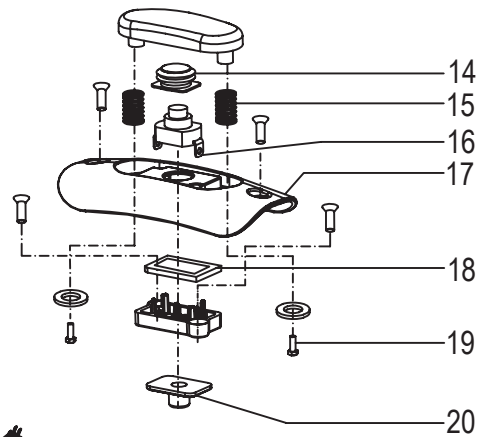
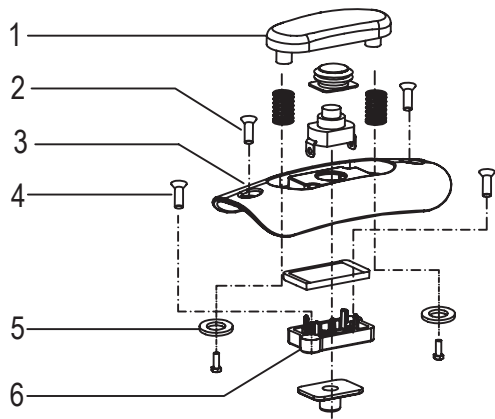
TANK SYSTEM



## TANK SYSTEM

Item	Ref. No.	Qty	Description	Item	Ref. No.	Qty	Description
1	VF90412A	1	Handle, Recovery Tank Cover	34	VF90314	1	Transport Wheel Shaft
2	VF90503A	1	Recovery Tank Cover	35	VV10116	1	Self-Locking Nylon Cable Ties
3	VA80758	3	Screw	36	VF85102	1	Clamp
4	VF90504	1	Gasket	37	VF13604	1	Grooved Metal Gasket
5	VF90619A	1	Tank Filter Net Kit	38	VF90235	1	Scerew Tm4x10
6	VF90612A	1	Filter Cover	39	VF90508	2	Suction Hose
7	VF90614	1	Inlet Strap	40	VF90231	1	Gasket
8	VF90616	2	Screw Ta3.5x12	41	VF90214	2	Seal Plate Cover
9	VA13483A	2	Washer	42	VF90217	2	Seal Plate
10	VA13477	2	Screw St4x15	43	VV68303	4	Screw KT3.5x15
11	VF90611	1	Filter Support	44	VF90529	1	Suction Tube Connector
12	VF90519A	1	Tank (Cable Modle)	45	VF90528	1	Drain Hose Connector
13	VF90011-CL	1	Logo Label	46	VF90512	2	Suction Tube Gasket
14	VF90613A	1	Floating Ball Of Water Level	47	VF90509	2	Sealing Knob
15	VF90617	1	Inspection Tube	48	VA20304	4	Clamp
16	RD60764	2	Elbow,90°,Brass	49	VF90534	1	Float Kit
17	VA80770	1	Gasket	50	VF90530	1	Cage,Float Complete
18	VF90727	1	Vacuum Motor	51	VF90526	1	Float Bracket
19	VF85319	1	Acoustic Insulation Pipe	52	VF85124	1	Floate
20	VF90523	1	Top Gasket Of Suction Motor	53	VF90527	1	Floate Bracket Cover
21	VF13503	1	Nut Lock M8	54	VF90218	1	Control Seal Gasket
22	VF90511	1	Cover, Vacuum Motor	55	VF90401	1	Drain Hose Connector
23	VF14543	3	Washer Ø6Ø18*1.5	56	VF90443	1	Drain Hose-38
24	VV13601	3	Washer,Lock,Ø5	57	VF83150	1	Holder,"U"Hose
25	VA52245	4	Scerew M5*15	58	VF90701	1	17"Counter Weight Block
26	VF14066	1	Nut M8	59	VF13534	4	Washer
27	VF90434	1	Scerew M8*65	60	VF13519	4	Washer,Lock,Ø8
28	VF90513	1	Outlet O-Ring	61	VF14067	4	Screw M8*25
29	VF90507	1	Outlet Cover	62	GT13054	4	Scerew Tm5x12
30	VF90312	1	2.5" Wheel Kit	63	VF90814A	1	Battery Covery
31	VF14551	2	Ring D 17	64	VF90720	1	Vacuum Motor Connection Line
32	VF90306	1	2.5" Wheel	65	VF90730	1	Solenoid Valve Connection Line
33	VF90308	2	2.5" Hub Cap	66	VF90721	1	Brush Motor Connection Line

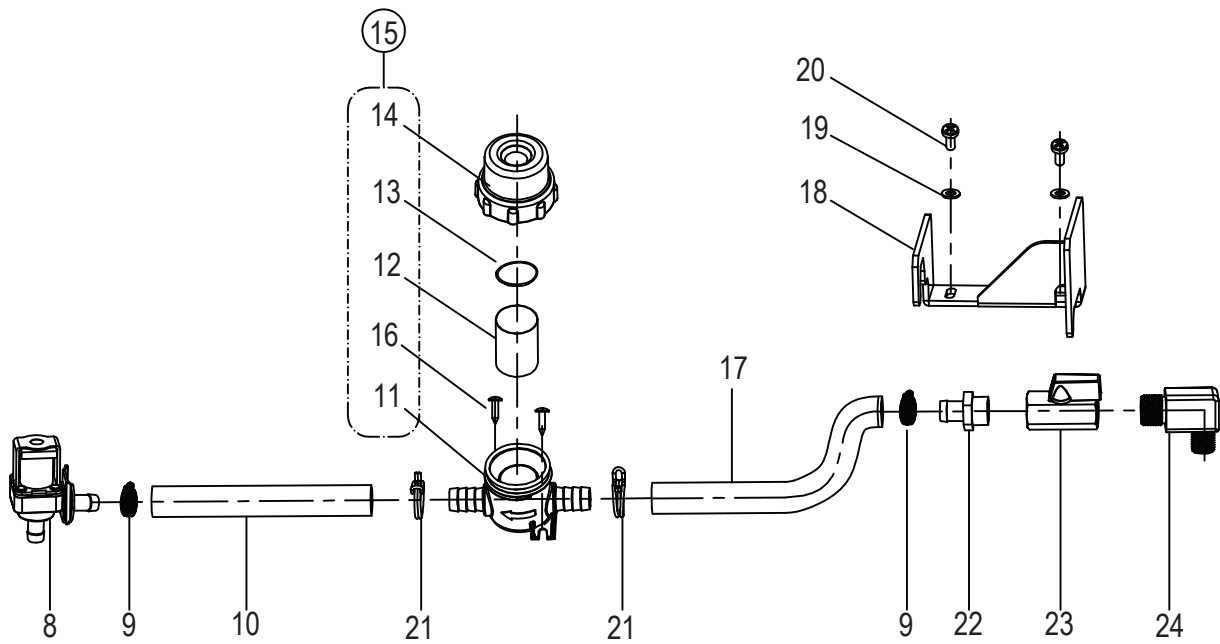
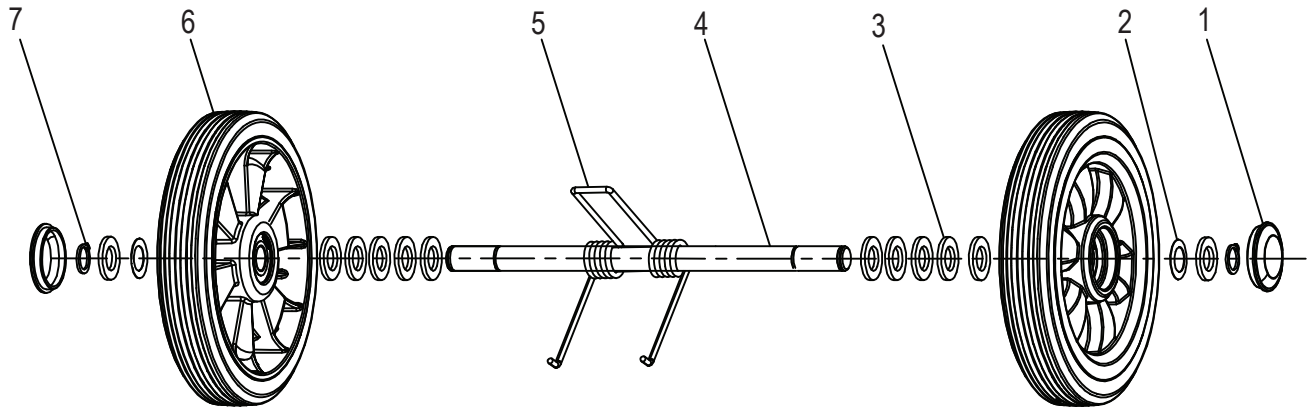
CONTROL SYSTEM AND ELECTRICAL SYSTEM



## CONTROL SYSTEM AND ELECTRICAL SYSTEM

Item	Ref. No.	Qty	Description	Item	Ref. No.	Qty	Description
1	VF90203A	2	Safety Switch Knob	28	GV70034	1	Clamp Drain Hose
2	VF90286	4	Screw KA3.5x12	29	VF14538	2	SCREW ST3.5x16
3	VF90201A	1	Safety Switch Cover Left	30	VF90027-CL	1	Back Cover Panel
4	VV68303	4	Screw KA3.5x15	31	VF90129	1	Screw M5x20
5	VF90288	4	Washer $\Phi 3.6 \times \Phi 8 \times 0.5$	32	VF90113	1	Handle Lift
6	VF90210A	2	Switch Fix Frame	33	VF14514	5	Nut Lock M5
7	VV60153	3	Switch RI2 (P)	34	VF90128	2	Screw M5
8	VF90009-CL	1	Decal Control Panel	35	VF90114	1	Cable Squeegee Lift
9	VF90235	6	Screw Tm4x10	36	VF89076	2	Circuit Breaker Cap
10	VF90204A	1	17" Switch Cover	37	80407A	2	Screw M5x25
11	VF90706	1	24vdc Regulator Board	38	VF90116	1	Hand Bracket
12	VA14584	4	SCREW PB3.0x8	39	VF90704	1	24v Relay
13	VF90285	1	Switch Seal Strip	40	VV13652	2	Nut Lock M3
14	VF90216	2	Switch Seal Bushing	41	VV13653	4	Washer $\Phi 3.4 \times \Phi 10 \times 1.0 \text{mm}$
15	VF90202	4	Spring	42	VF90232	1	Electric Support
16	VF90252	2	Switch	43	VF90725-2	1	Start Capacitor
17	VF90212A	1	Safety Switch Cover Right	44	VF90259	1	Hand Fix Panel
18	VF90219	2	Gasket	45	VF99010C	1	Circuit Breaker
19	VA13469	4	Screw Pb3x12	46	VF90517	1	Cable Fix Bracket
20	VF90213	2	Switch Seal Ring	47	VF73705	1	Cable Sleeve
21	GT13091	2	Screw,PB3.5x9.5mm	48	VF90745	1	Power Cord
22	VF89042-3	1	Relay	49	VV67105	1	Connector
23	GT13025	2	Screw,M3x12	50	VF90703-US	1	Cable (20m)
24	VF90725-1	1	Running Capacitor	51	VF422997	1	Hanging Board
25	VF90815A	1	Cover Control Housing	52	VF13667	1	Screw M4x8
26	GT13054	4	Screw Tm5x12	53	VF13604	1	Grooved Metal Gasket
27		1	20" Serial Number Label	54	VF90019	1	Brush Circuit Label
				55	VF90747	1	Circuit Breaker
				56	VF90020	1	Vacuum Circuit Label

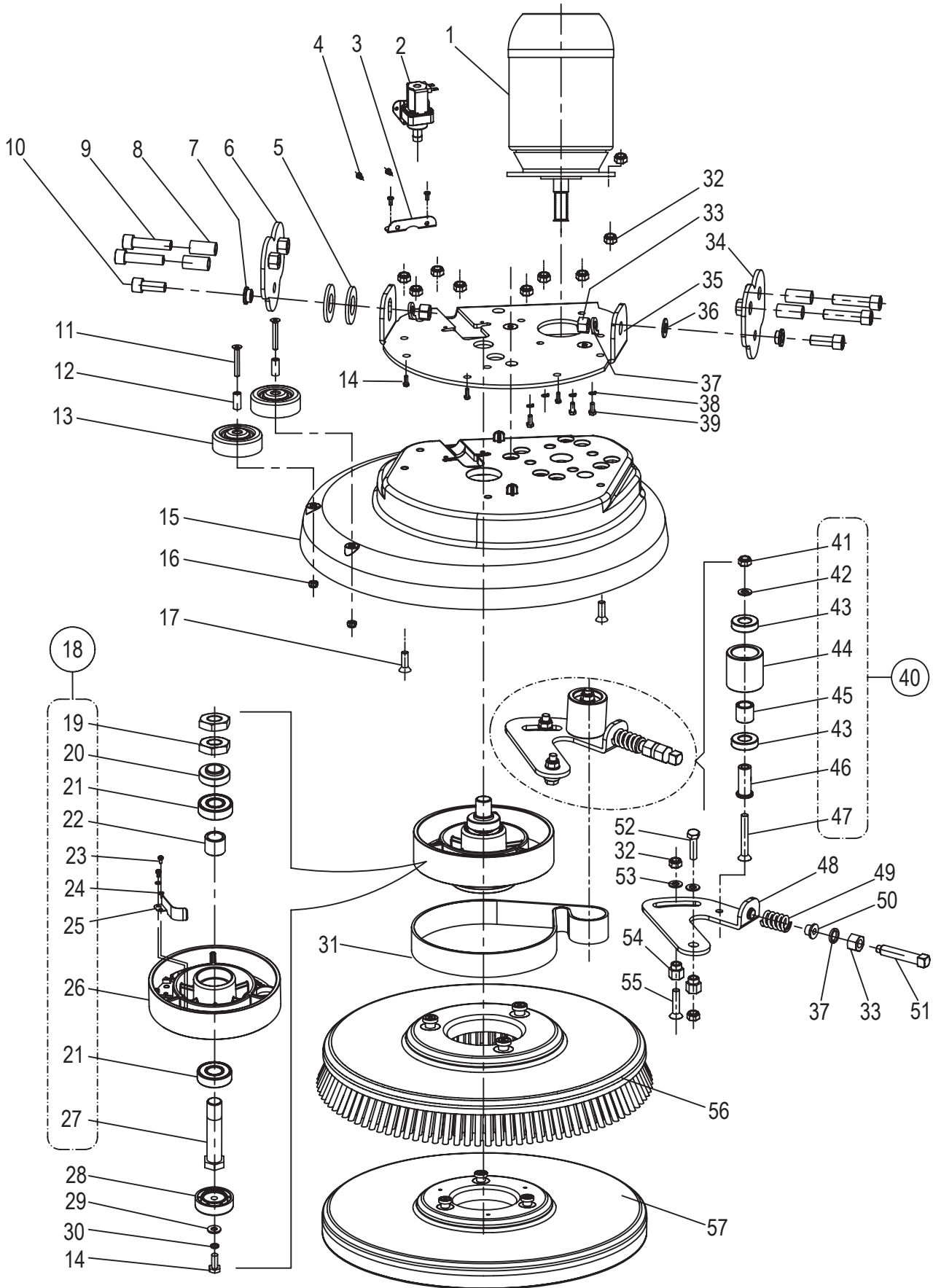
### WHEELS AND SOLUTION SYSTEM



## WHEELS AND SOLUTION SYSTEM

Item	Ref. No.	Qty	Description
1	VF89203	2	Wheel Cover
2	VF14563	2	Leville Washer
3	VF14554	12	Washer
4	VF90304	1	Wheel Shaft
5	VF82172	1	Spring 70°
6	VF90305	2	8" Wheel
7	VF14552	2	Ring D 17
8	VF90284	1	Solenoid Valve Kit
9	VV10114	2	Clamp
10	VF90440	1	Tubing L=260mm
11	VF90604	1	Filter Base
12	VF90608	1	Filter Net
13	VF90607	1	O-Ring
14	VF90603	1	Filter Cover
15	VF90621	1	Filter Kit
16	VA13507	2	Screw St4x12
17	VF90441	1	Tubing L=160mm
18	VF90625	1	Solenoid Valve Bracket
19	VA13483	2	Washer $\Phi 4 \times \Phi 12.5 \times 1.5$
20	VV13650A	2	Screw M4x10
21	VF82148	2	Clamp, Hose
22	VF80313	1	Barb, Hose
23	VF80361	1	Ball Valve
24	VF90609	1	Elbow, 90°, Brass

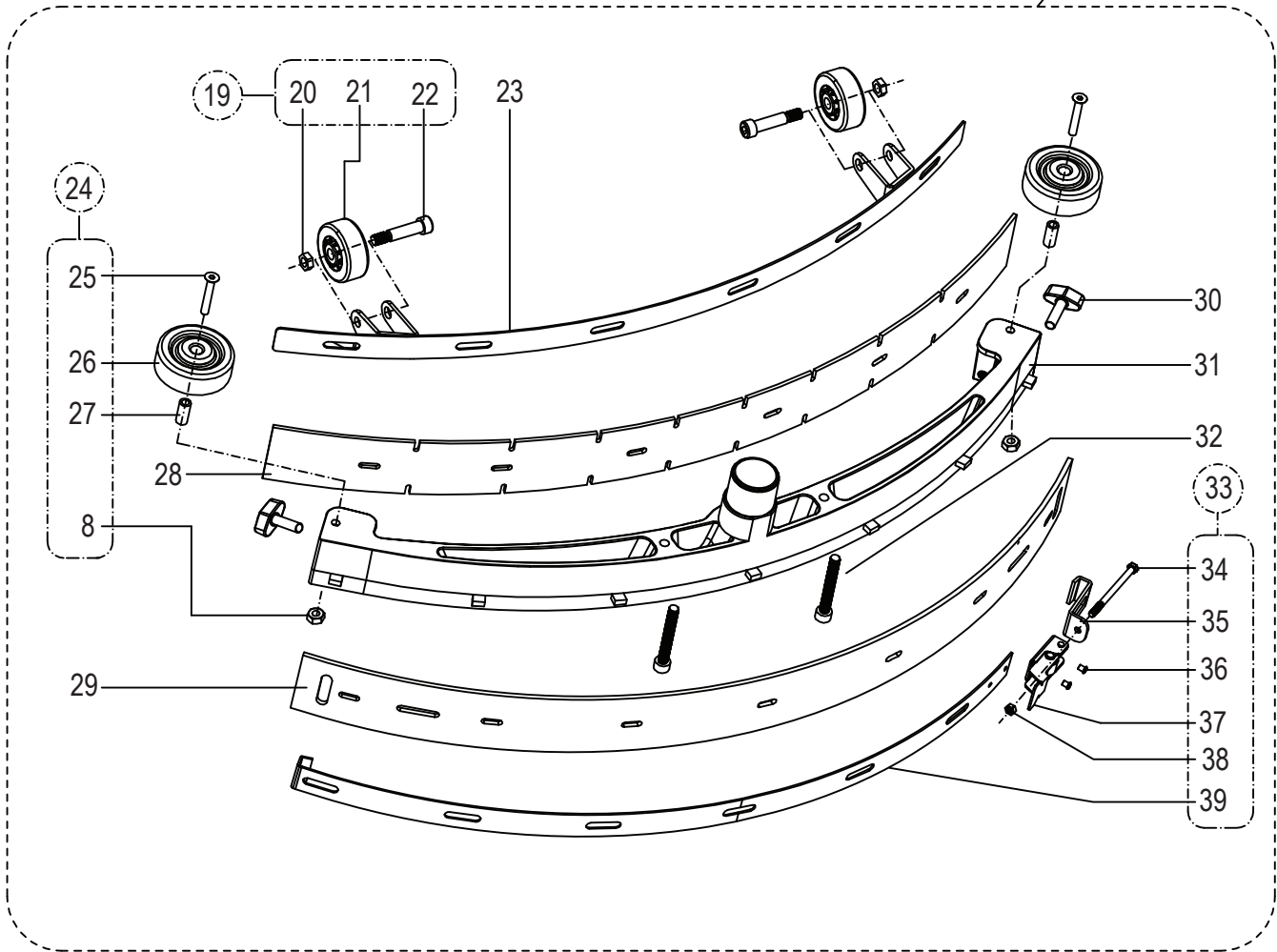
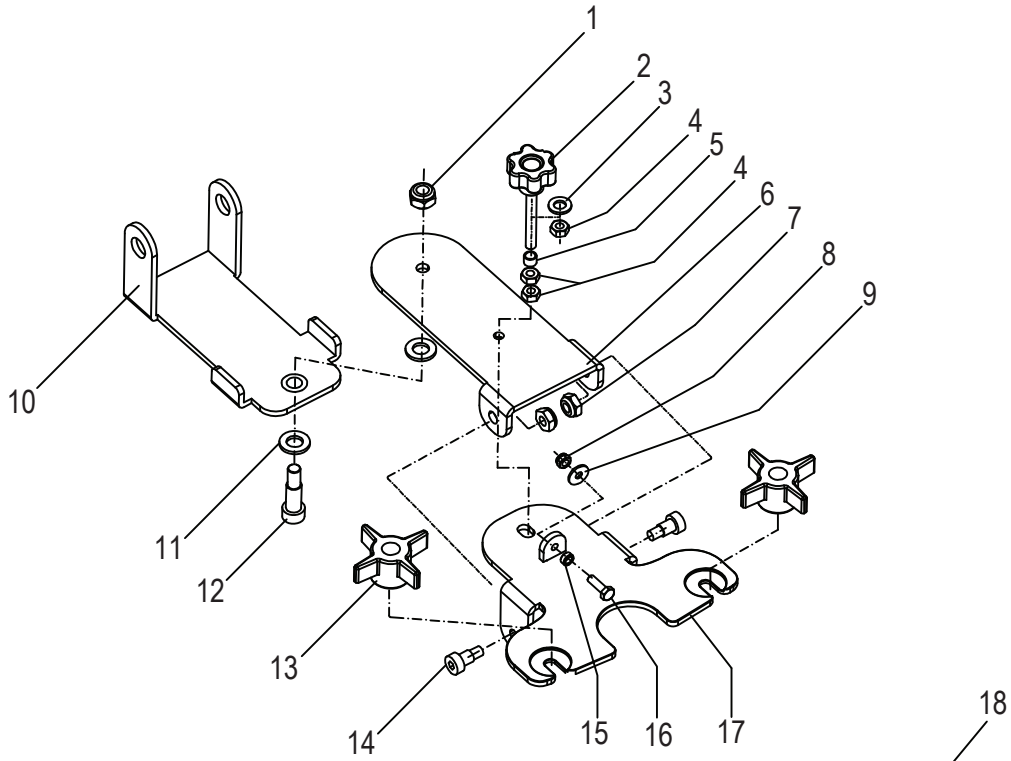
BRUSH SYSTEM



## BRUSH SYSTEM

Item	Ref. No.	Qty	Description	Item	Ref. No.	Qty	Description
1	VF90729	1	Brush Motor Kit	28	VF90415	1	Vibration Gasket
2	VF90284	1	Solenoid Valve Kit	29	VF13534	1	Washer Ø8.4x Ø18x 2
3	VF90418	1	Solenoid Valve Bracket	30	VV20298	1	Washer,Lock,Ø8
4	VV13650A	4	Screw M4x10	31	VF90462	1	Belt
5	VV20274	2	Washer	32	VF13503	9	Nut Lock M8
6	VF90460	1	Connect Plate C	33	VF14057A	3	Nut Lock M12
7	VF90461	2	Brass Spacer B	34	VF90459	1	Sliding Connect Plate
8	VF90421	4	Spacer	35	VF90455	1	Frame
9	VF14555	4	Screw, Shoulder M12x50	36	VF13538	1	Washer Ø12xØ24x2
10	VF14238	2	Screw, M12x30	37	VF13541	3	Washer,Lock Ø12
11	VF14530	2	Screw, Shoulder M6x40	38	VV20298	4	Washer,Lock,Ø8
12	VF85134	2	Spacer	39	VA13491	3	Screw, M8x25
13	VF85107	2	Bumper Roller	40	VF90445	1	Tension Wheel Kit
14	VV13604	4	Screw, Shoulder M8x20	41	VF14516	1	Nut Lock M8
15	VF90406A	1	17" Brush Deck	42	VF13535	1	Washer Ø8xØ20x2
16	VF14506	2	Nut Lock M6	43	VF999821A	2	Bearing 6002
17	GT13067	2	Screw, Shoulder M8x25	44	VF90426	1	Tension Wheel
18	VF90465	1	Driven Pulley Kit	45	VF80209	1	Spacer
19	VF90424	2	Nut M20	46	VF80214	1	Spacer
20	VF90422	1	Spacer	47	GT13066	1	Screw, Shoulder M8x55
21	ZD45425	2	Bearing 6204 Lu	48	VF90427	1	Rod, Tension Wheel
22	VF90423	1	Clamp Sleeve	49	VF80232	1	Spring
23	VV13650A	2	Screw M4x10	50	VF80235	1	Spacer
24	VV20291	2	Washer,Lock,Ø4	51	VF14255	1	Screw, M12x65
25	VF90437	1	Brush Spring Clip	52	VF14236	1	Screw, M8x40
26	VF90463	1	Driven Pulley	53	VF13534	2	WASHER Ø8.4x Ø18x 2
27	VF90425	1	Driven Pulley Shaft	54	VF90439	2	Bushing Tension Wheel
				55	VF90438	1	Screw, Shoulder M8x30
				56	VF90411	1	17" Brush
				57	VF90453	1	17" Pad

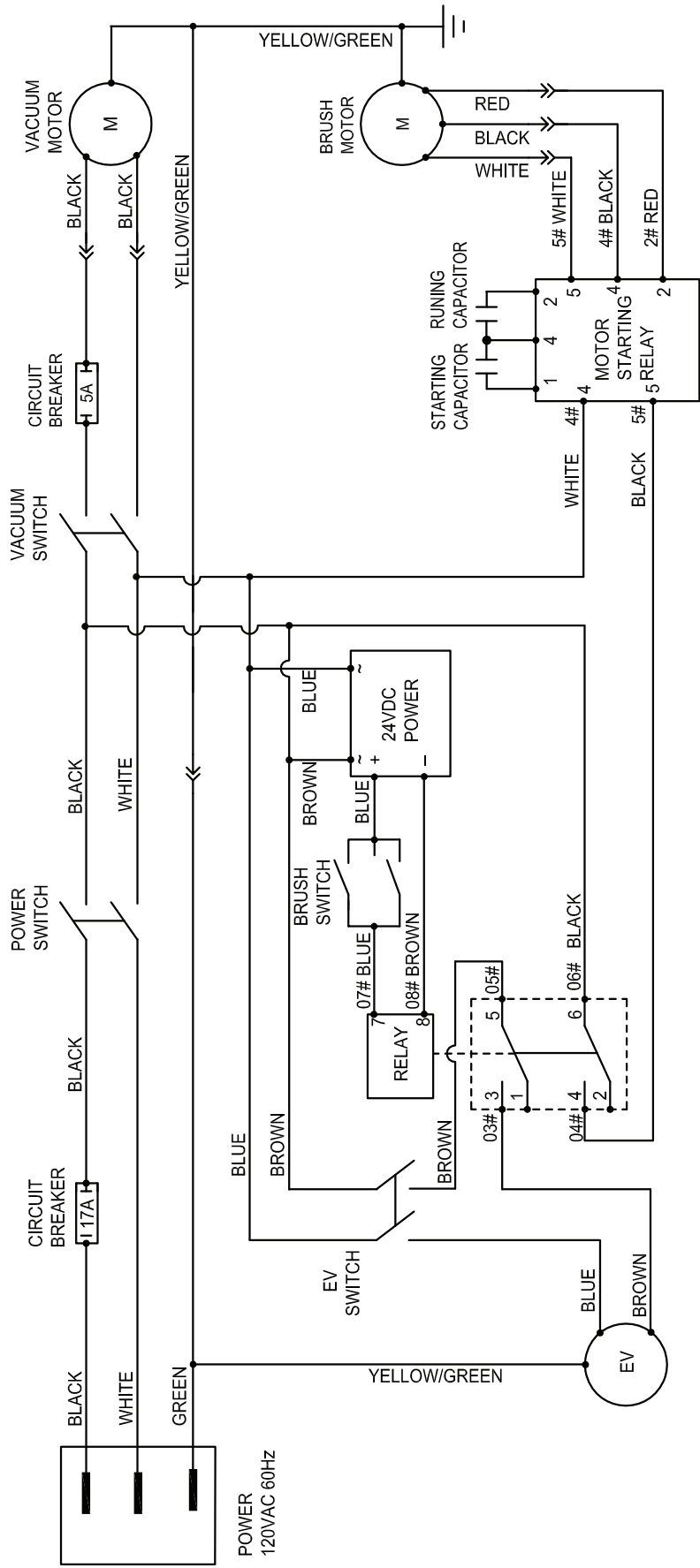
**SQUEEGEE SYSTEM**



## SQUEEGEE SYSTEM

Item	Ref. No.	Qty	Description
1	VF14547	1	Screw Lock M10
2	VF85104	1	Hand Wheel
3	VF13534	1	Washer $\Phi 8.4 \times \Phi 18 \times 2$
4	VF14503	3	Nut M8
5	VF90133	1	Spacer
6	VF90110	1	Back-Squeegee-Support
7	VF14516	2	Nut Lock M8
8	VF14506	3	Nut M6
9	VF13533	1	Washer Flat $\Phi 6$
10	VF90111	1	Front-Squeegee-Support
11	VF85336	2	Washer Nylon
12	VF90130	1	Screw Shoulder
13	VF81210	2	Knob
14	VF84228	2	Screw Shoulder M8
15	VF82112	1	Spacer
16	VF14233	1	Screw
17	VF90109	1	Squeegee-Support
18	VF90134	1	17" Squeegee Kit
19	VF90136	2	Squeegee Roll Wheel Kit
20	VV20203	2	Nut Lock
21	VF81219	2	2" Wheel
22	VF81222	2	Bolt Shoulder 5/16"
23	VF90102	1	17" Strap, Squeegee Front
24	VF90137	2	Bumper Roller Kit
25	VF14530	2	Screw M6 $\times$ 40
26	VF85107	2	Bumper Roller
27	VF85134	2	Spacer
28	VF90103	1	17" Blade Front
29	VF90104	1	17" Blade Rear
30	VF85420	2	Wing Nut M8 $\times$ 30
31	VF90101	1	Squeegee 17"
32	VF90127	2	Squeegee Screw
33	VF90138	1	17" Strap, Squeegee Back Kit
34	VF14305	1	Screw M5 $\times$ 60
35	VF90121	1	Hook
36	VF81208A	2	Rivet $\Phi 4 \times 5$
37	VF81218A	1	Latch Hood
38	GT13022	1	Nut Lock M5
39	VF90105	1	17" Strap, Squeegee Back

### WIRING DIAGRAM





**Clarke<sup>®</sup>**

14600 21st Avenue North  
Plymouth, MN 55447-3408

[www.clarkeus.com](http://www.clarkeus.com)

Phone: 800-253-0367

Fax: 800-825-2753

©2014 Nilfisk-Advance, Inc.

---

**A Nilfisk-Advance Brand**