



Electronic Service Manuals

This electronic document is provided as a service to our customers. We do not create the contents of the information contained in this document. Should you have detailed questions pertaining to the information contained in this document, you may contact Michco, or the manufacturer which provided the original information in this electronic deliverable. Michco's only part in this electronic deliverable was the electronic assembly process. By providing this manual on line we are not guaranteeing parts availability.

You may contact Michco through the following methods:

Phone (517) 484-9312 or (800) 331-3339

2011 N. High St. -- Lansing, Michigan -- 48906

Fax: (517) 484-9836

Email: CustServe@Michco.com

Web site: www.Michco.Com

Parts Web site: www.FloorMachineParts.Com

Order Parts on Line at:

www.FloorMachineParts.Com

Directly to Parts & Service:

By Email: **Shop@Michco.com**

By Fax: (517) 702-2041

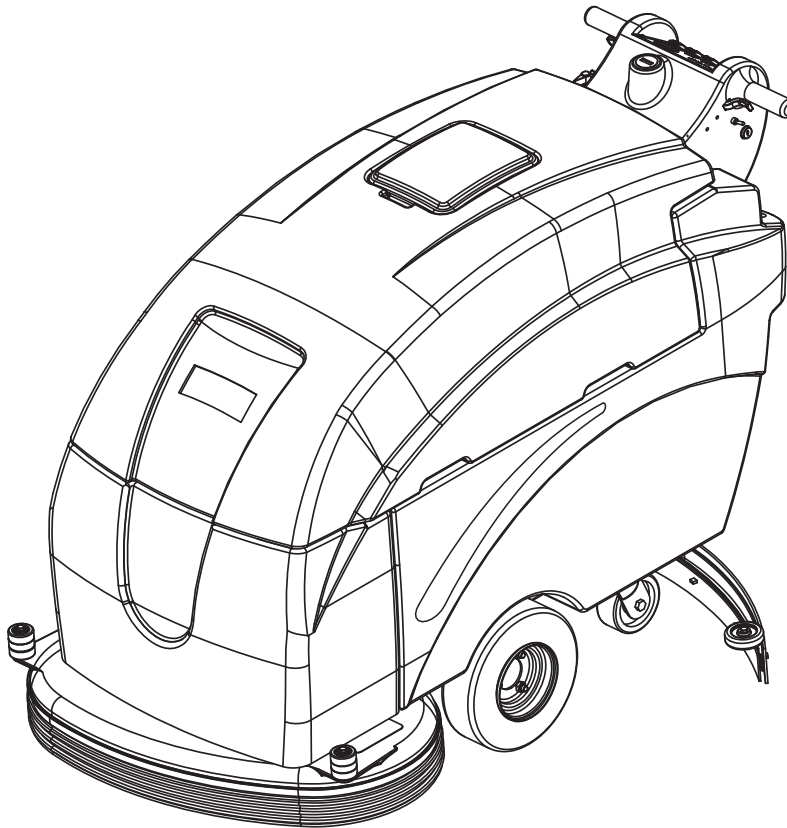
By Voice: Use numbers above.

Serving the Cleaning Industry Since 1922

Notice: All copyrighted material remains property of original owners, all trademarks are property of respective owners. Manuals are subject to Manufacturer's reproduction limitations. Originals or reproductions were provided by manufacturers through a request. We make no warranty as to the correctness of information provided in this document and you assume all risk. By placing these manuals on line we are not declaring our corporation to be an manufacturer authorized dealer or provider, please check our web site for authorized manufacturers we represent.

Clarke®

CA90 32T



Instructions For Use - Original Instructions / Instrucciones de uso / Mode d' emploi
Model: CLARKE810T



READ THIS BOOK

LEA ESTE MANUAL

LISEZ CE MANUEL



EN English (A2 - A9)

ES Español (B2 - B9)

FR Français (C2 - C9)

This book has important information for the use and safe operation of this machine. Failure to read this book prior to operating or attempting any service or maintenance procedure to your Clarke machine could result in injury to you or to other personnel; damage to the machine or to other property could occur as well. You must have training in the operation of this machine before using it. If your operator(s) cannot read this manual, have it explained fully before attempting to operate this machine.

All directions given in this book are as seen from the operator's position at the rear of the machine.

TABLE OF CONTENTS

	Page
Safety Precautions	A-2
Machine Components	A-3
Machine Set Up & Installation	A-4
Machine Operation	A-5
Tank Draining	A-6
Battery Charging	A-7
Preventative Maintenance	A-8
Machine Storage	A-8
Basic Troubleshooting	A-9
Parts List	D-2 – D-18

SAFETY PRECAUTIONS

This machine is intended for commercial use. It is constructed for use in an indoor environment and is not intended for any other use. Use only recommended accessories.

All operators shall read, understand and exercise the following safety precautions:

- 1) Do not operate machine:
 - Unless trained and authorized.
 - Unless you have read and understand operators manual.
 - In flammable or explosive areas.
 - If not in proper operating condition.
 - In outdoor areas.
- 2) Before operating machine:
 - Make sure all safety devices are in place and operate properly.
- 3) When using machine:
 - Go slow on inclines and slippery surfaces
 - Follow all safety guidelines.
 - Be very careful when using the machine in reverse.
 - Report and fix any damage to machine prior to operating it.
- 4) Before leaving or servicing machine:
 - Stop machine on level ground.
 - Turn off machine.
- 5) When servicing machine:
 - Read operators manual thoroughly prior to operating or servicing this machine.
 - Use manufacturer supplied or approved replacement parts.
 - Secure machine with wheel blocks prior to jacking the machine up.
 - Use approved jack or hoist to safely elevate the machine.
 - Disconnect batteries prior to working on machine.
 - Wear gloves when handling batteries or battery cables.
 - Avoid any contact with battery acid.
 - Avoid moving parts. Do not wear loose fitting clothing while servicing machine.

WARNING !

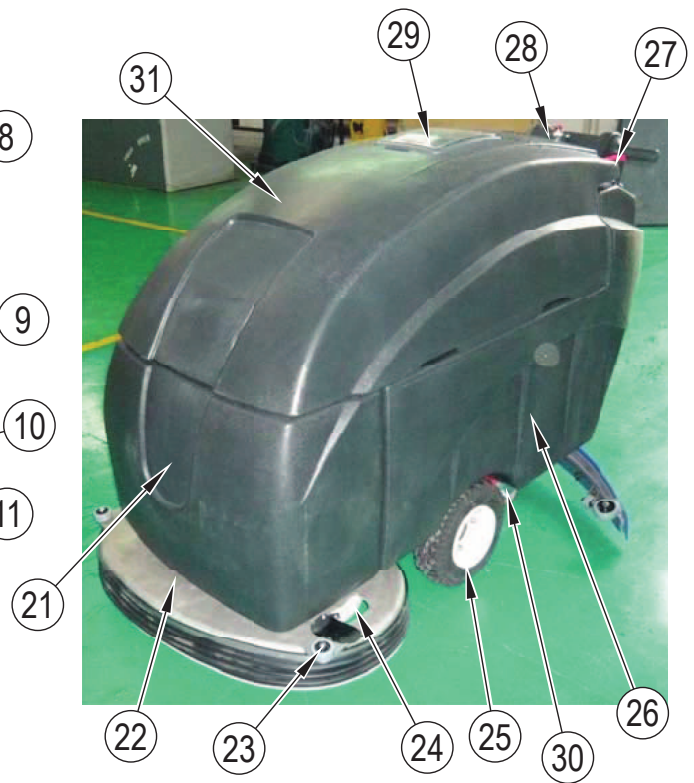
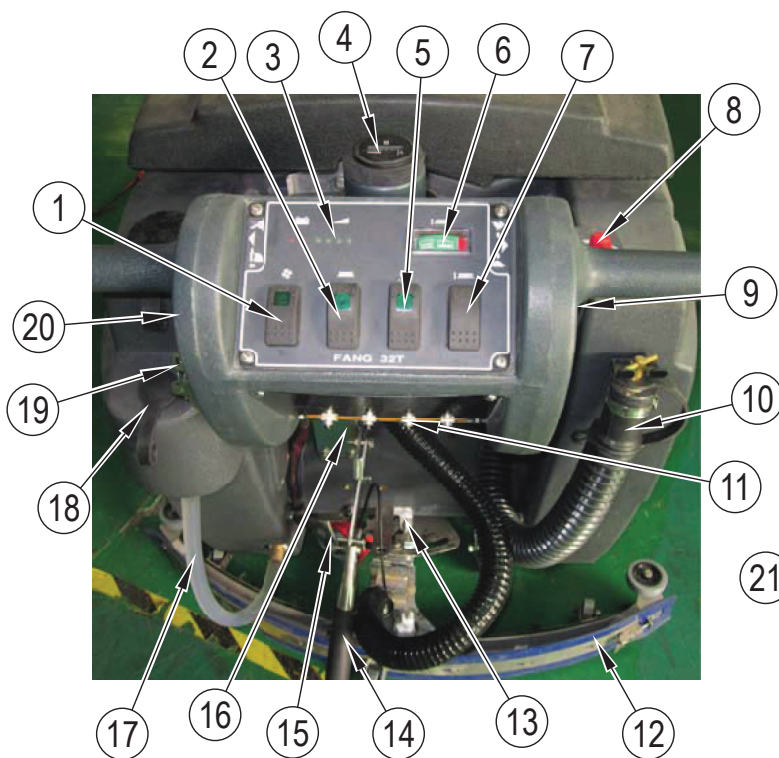
Batteries emit hydrogen gas. Explosion or fire can result from hydrogen gas. Keep sparks and open flames away! Keep battery compartment open when charging.

Flammable materials can cause an explosion or fire. Do not use flammable materials in tanks.

Flammable materials or reactive metals can cause explosion or fire. Do not pick up.

MACHINE COMPONENTS

1. Vacuum ON/OFF Switch
2. Brush ON/OFF Switch
3. Battery Level Meter
4. Hour Meter
5. Solution ON/OFF Switch
6. Brush Pressure Meter
7. Brush Pressure UP/DOWN Switch
8. Solution Control Knob
9. Speed Control Knob
10. Recovery Tank Drain Hose
11. Circuit Breakers
12. Squeegee Assembly
13. Squeegee Adjustment Nut & Shaft
14. Squeegee Lift Lever
15. Rear Casters
16. Console Adjustment Levers
17. Solution Tank Level Sight Tube
18. Rear Solution Fill
19. Key Switch
20. Reverse Switch
21. Front Cover
22. Scrub Head
23. Protective Rollers
24. Scrub Head Door
25. Transport Wheels
26. Solution Tank
27. Operating Triggers
28. Control Housing
29. Recovery Tank Lid
30. Solution Filter Assembly
31. Recovery Tank



MACHINE SET UP & INSTALLATION

UNCRATING MACHINE

Be sure and check packing carton for any damage. Immediately report any damage to carrier. Check contents of package to ensure that the following

items are included: Machine, batteries (x6), squeegee assembly, battery charger and pad drivers. (Batteries and charger may be on separate skid)

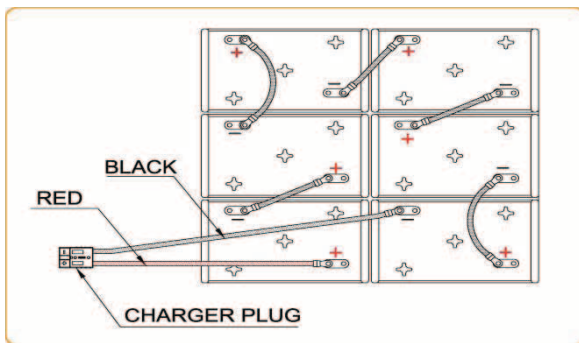
BATTERY CONNECTIONS

The batteries and charger are shipped separately and will need to be installed and connected as shown in the diagram below.

⚠ WARNING !

Batteries emit hydrogen gas. Explosion or fire can result from hydrogen gas. Keep sparks and open flames away! Keep battery compartment open while charging.

1. Be sure the power switch is in the "off" position.
2. Open recovery tank to gain access to battery compartment.
3. Carefully place the six batteries into the compartment as shown in figure below. Place the battery brace at the rear of the batteries.
4. Connect battery cables to posts in order as shown in diagram below. (RED to POSITIVE and BLACK to NEGATIVE)



5. Apply a coating or protective spray on the cable connections to prevent battery corrosion.

DO NOT DROP THE BATTERIES INTO COMPARTMENT!

PRE-OPERATION CHECKS

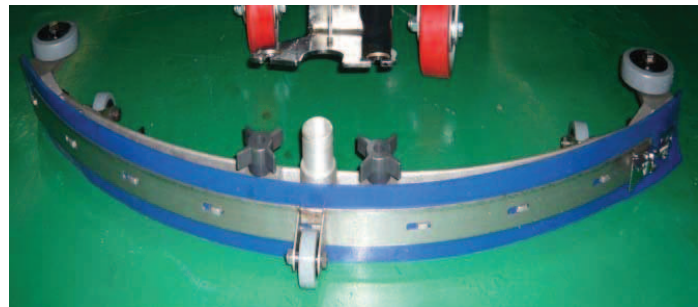
1. Sweep or dust mop the surface to be cleaned.
2. Check battery meter to make sure batteries are fully charged. (SEE BATTERY CHARGING)
3. Ensure squeegee is properly installed.
4. Ensure that brush/pad is properly installed.

INSTALLING PAD DRIVERS OR BRUSHES

1. Ensure the machine is turned off.
2. Raise the brush head assembly off the floor by pushing on the brush lift button on the control console.
3. Slide back the viewing window panel on the aluminum deck housing.
4. If using a pad driver, first attach the appropriate pad to the bottom of the driver.
5. Slide the pad driver under the deck and look through the viewing panel and line the three lugs with the three holes in the drive motor hub. Once in the holes, rotate the driver toward the spring clip to lock the driver in place

MOUNTING THE SQUEEGEE

1. Pull the squeegee lift lever to raise the squeegee bracket up.
2. Loosen the two knobs on the squeegee and slide the squeegee into the slots at the rear of the squeegee bracket. (the wheels on the squeegee point to the back)
3. Tighten the knobs securely.
4. Secure the vacuum hose on the pick-up tube of the squeegee.



FILLING THE SOLUTION TANK

1. The CA90 32T can only be filled in the rear of the machine. There is a fill cap that can be removed so the tank can be filled with a hose.
2. Fill the solution tank with up to 30 gallons of water. (water temperature should not exceed 140 degrees F)
3. The clear tube under the fill port has gallon markers to help determine the water level in the solution tank.

⚠ WARNING !

Do not put any flammable materials into solution tank. This can cause an explosion or a fire. Only use recommended cleaning chemicals. Contact your Clarke distributor for recommended chemicals.

MACHINE OPERATION

WARNING !

Do not operate machine unless you have read and understand this manual.

1. Before the machine will operate, the key switch must be turned into the "on" position. The key is located on the left side of the control housing. (see machine components, item #19)
2. Set control housing to a comfortable operating height by squeezing together the tow thumb levers directly underneath the housing (see machine components item #16)
3. Lower squeegee assembly to the floor. There is a squeegee lift handle located on the back left of the machine, just under the control housing. (see machine components, item #14) Slightly lift up on the handle and move it to the right, the squeegee is now ready to be lowered to the floor.
4. Lower the brush head to the floor by pushing the brush lower button on the control housing. (see machine components, item #7)
5. Turn vacuum motor switch to "on" position. (see machine components, item #1)
6. Turn the brush motor switch to "on" position. (see machine components, item #2)
 - a. Brushes will not spin until the operating triggers are pulled.
7. Turn the solution switch to "on" position. (see machine components, item #3)
 - a. Solution will not begin to flow until the operating triggers are pulled.
8. To begin scrubbing, pull on one or both of the red operating triggers. (see machine components, item #27) When the triggers are pulled, the brushes will begin to spin, the solution will begin to flow, and the machine will propel itself.
9. This machine is self-propelled. The speed can be adjusted by a dial located on the right side of the control housing. (see machine components, item #9)
10. This machine has reverse. In order to activate reverse, there is a toggle switch on the left side of the control housing. (see machine components, item #20) The toggle switch must be pulled / pressed to activate reverse motion.

HINT: Do not keep the machine in the same position with the pad / brush spinning, or you could cause damage to the floor.

11. Adjust the amount of solution flow by turning the solution control knob. Turn the knob to the right for more solution, or turn left for less solution. (see machine components, item #8)
12. There is an hour meter located on the top of the control housing. (see machine components, item #4) The operator can see the operation time.

WHILE OPERATING MACHINE

1. Occasionally look through the clear recovery tank lid to see if there is any foam build-up. If excessive foam is found, add defoamer to the recovery tank.

⚠ WARNING !

Foam must not enter the float shutoff screen, or damage can occur to the vacuum motor. Foam will not activate the machines float shut-off device.

2. Occasionally view the clear tube at the back left of the machine to check the amount of cleaning solution that is left in the machine.
3. Occasionally check the battery level meter. (see machine components, item #3) When the meter is in the red, recharge the batteries.

⚠ WARNING !

When battery meter is in the red, do not continue to operate the machine. Battery damage may occur.

4. If the squeegee assembly leaves streaks on the floor, raise the squeegee off the floor and wipe the blades down with a damp cloth.

⚠ WARNING !

Do not use your fingers to wipe or remove debris from the blades, as injury may occur.

5. When the solution tank runs empty, turn off the brush switch, solution switch, and raise the brush head. Keep the squeegee down and continue to vacuum until all the dirty water is picked up. (see TANK DRAINING section to learn how to drain recovery and solution tanks)

HINT: The brush motors are circuit breaker protected to protect them from damage. If a breaker trips, it can't be reset immediately. You must first determine what caused the breaker to trip, and allow the motor to cool down before you can reset the breaker. The breakers are located on the rear panel of the control housing.

TANK DRAINING

1. Turn the power off on the machine
2. With the squeegee and brush head in their "up" position, transport the machine to an approved area for draining the tank(s).

DRAINING THE RECOVERY (DIRTY) TANK

HINT: Anytime scrubbing is completed, or when refilling the solution tank, the recovery tank should also be drained and cleaned.

⚠ WARNING !

If the recovery tank is not drained when the solution tank has been refilled, foam or water may enter the float shut-off mechanism and cause damage to the vacuum motor.

1. Remove the drain hose from the holder and place the drain hose over a floor drain. Twist off the drain hose plug to begin the draining process. In order to completely empty the recovery tank, hinge open the recovery tank and let it rest on the support stand.
2. Clean the recovery tank after every use. Use a fresh water hose to rinse out the inside of the tank. Be careful not to spray water into the float shut-off mechanism.

HINT: If you are storing the machine for any period of time, always leave the clear recovery tank lid off the tank so the tank may dry completely, and smell fresh.

3. Replace the drain hose plug tightly as soon as you are done draining the tank.

DRAINING THE SOLUTION (CLEAN) TANK

HINT: Anytime scrubbing operation is completed, the solution tank should be drained and cleaned.

1. Pull down on the clear tube (back left of the machine) to remove it from the hose barb. This will allow the solution to flow freely into a bucket or floor drain.
2. Rinse the solution tank with clean water after every use. This will help prevent chemical buildup and clogging of the solution lines.
3. With clean water in the solution tank, turn machine power on, solution switch "on" and pull the operating triggers. This will allow the clean water to flush through and clean the solution plumbing.
4. Once the tank is rinsed, flushed and drained, reconnect the clear tube to the hose barb. Be sure the tube is pushed all the way up on the hose barb.

BATTERY CHARGING

⚠ WARNING !

Use only approved chargers with the following specifications:

- Automatic shut-off circuit
- Deep cycle charging
- Output current of 20-30 Amps.
- Output voltage of 36 volts.

HINT: For the best machine performance, keep batteries charged at all times. Do not let them sit in a discharged condition.

⚠ WARNING !

Batteries are dangerous! Batteries emit hydrogen gas and an explosion or fire can result. Keep sparks and fire away from batteries at all times. When charging the machine, make sure the battery compartment is left open.

1. Place charger and machine in a well-ventilated area.
2. Turn machine off.
3. Open recovery tank up, exposing battery compartment.
4. Check fluid level in each battery cell. Do not charge batteries unless fluid is slightly covering the battery plates. Do not overfill the batteries. Overfilling may cause the batteries to overflow during charging due to expansion. Replace the caps prior to charging.
5. Plug approved charger into grounded wall outlet before plugging the charger into the machine.
6. Plug charger into grey charger receptacle located in the front left of the battery compartment.
7. Flip up the recovery tank "kick stand" and gently lay the recovery tank down until it rests on the stand.
8. The charger will automatically begin to charge the batteries, and it will automatically shut down once the batteries are fully charged.
9. Upon completion of charging, first unplug the charger from the wall outlet and then disconnect the charger from the machine.
10. Check the battery fluid level after charging is completed. If the fluid level is low, add distilled water to bring the fluid level up to the bottom of the sight tubes. Replace the caps and wipe the batteries down with a towel.



PREVENTITIVE MAINTENANCE

⚠ WARNING !

Before performing any maintenance on the machine, be sure that the power is turned off, or the batteries disconnected.

Repairs are to be completed by an authorized Clarke service center only. Any repairs completed by unauthorized persons will void the warranty.

DAILY MAINTENANCE

1. Remove pad driver / brush and clean with approved cleaner.
2. Drain recovery and solution tanks completely and rinse out with clean water. Visually check the recovery tank for debris and clean out as necessary.
3. Raise squeegee assembly off the floor and wipe it down with a damp towel. Be sure to store the squeegee in the up position.
4. Remove the float shut-off assembly and rinse it out with clean water.



5. Clean machine with an approved cleaner and a damp towel.
6. Recharge batteries.

WEEKLY MAINTENANCE

1. Check fluid level in batteries.
2. Check batteries for loose or corroded cables.
3. Keep battery tops clean from corrosion.

MONTHLY MAINTENANCE

1. Check machine for leaks and loose fasteners.
2. Lubricate all grease points and pivot points with silicon spray and approved grease.
3. Place machine over a floor drain. Flush solution system by pouring 3 gallons of hot water and approved alkaline detergent into the solution tank and running machine (with solution control on) for 45 seconds. Turn machine off and let it sit over-night. The following day, drain the remaining solution and rinse the solution tank out with clean water.

VACUUM MOTOR MAINTENANCE

1. Contact your local Clarke Distributor for any motor maintenance.
2. Vacuum motor should have the brushes checked every 250 hours. Brushes should be replaced when they are worn to a length of 10mm or less.

BATTERY MAINTENANCE

HINT: For the best machine performance, keep batteries charged at all times. Do not let them sit in a discharged condition.

⚠ WARNING !

Batteries are dangerous! Batteries emit hydrogen gas and an explosion or fire can result. Keep sparks and fire away from batteries at all time.

Whenever servicing batteries, be sure to wear protective gloves. Avoid contact with battery acid at all times!

1. Always follow the battery charging directions as outlined in the BATTERY CHARGING section of this manual.
2. Keep battery tops and terminals free from corrosion. A strong solution of baking soda and water is the best way to keep the batteries corrosion free. **DO NOT ALLOW THE BAKING SODA / WATER SOLUTION TO ENTER THE BATTERY CELLS.**
3. Use a wire brush with the baking soda solution to properly clean the battery posts and connections.
4. Check battery connections for wear and loose terminals. Replace if necessary.

MACHINE STORAGE

1. Always store the machine indoors.
2. Always store the machine in a dry area.
3. Always store the machine with pads brushes removed.
4. Always store the machine with the squeegee assembly in up position.
5. If storing in an area which may reach freezing temperatures, be sure to drain all fluids from the machine prior to storage. Any damage caused by freezing temperatures will not be covered by the warranty. Remove VF82168-2 solution filter cover to drain all fluid from hoses.
6. Drain the recovery tank and remove the clear lid on the top of the recovery tank so that it can "breathe" during storage.
7. Drain the solution tank of all fluid.

BASIC TROUBLESHOOTING

PROBLEM	CAUSE	SOLUTION
No power	Bad batteries	Replace batteries
	Key not in "ON" position	Turn key "ON"
	Main circuit breaker tripped	Contact Clarke Distributor
	Batteries need to be charged	Charge batteries (see Battery Charging)
	Loose battery cable	Tighten loose cable(s)
	Batteries not connected properly	Follow battery installation instructions
Brush motor does not run	Bad brush switch	Contact Clarke Distributor
	Brush circuit breaker has tripped	Check brush motor for obstructions and reset breaker
	Bad wiring	Contact Clarke Distributor
	Bad brush motor	Contact Clarke Distributor
	Carbon brushes worn out	Contact Clarke Distributor
	Bad solenoid	Contact Clarke Distributor
	Bad vacuum switch	Contact Clarke Distributor
Vacuum motor does not run	Bad wiring	Contact Clarke Distributor
	Bad vacuum motor	Contact Clarke Distributor
	Carbon brushes worn out	Contact Clarke Distributor
	Batteries need to be charged	Charge batteries (see Battery Charging)
Short run time	Batteries need maintenance	See Battery Maintenance in this manual
	Bad cell in battery(s)	Replace batteries
	Bad charger	Replace charger
	Bad solution switch	Contact Clarke Distributor
Little or no solution flow	Clogged solution solenoid	Contact Clarke Distributor
	Clogged solution filter	Remove filter and clean
	Solution line obstructed	Remove solution line and clean
	Solution flow adjustment knob in need of adjustment	Increase flow by twisting solution adjustment knob to the right. Decrease flow by twisting solution adjustment knob to the left.
	Squeegee clogged	Clean debris off squeegee with damp towel
Poor water pick up	Squeegee blades worn	Install new squeegee blades
	Squeegee not mounted correctly	Confirm that the squeegee assembly is securely fastened to the machine and not loose fitting.
	Vacuum hoses have a hole or are loose	Check hose connections and make sure they are firm. Replace hose if damaged.
	Vacuum hose may be clogged	Check hose for debris and remove any clog.
	Drain hose stopper is loose	Tighten drain plug.
	Batteries need to be charged	Charge batteries (see Battery Charging)
	Vacuum motor is loose	Tighten vac motor mounting screws. Do not overtighten or damage will occur.
	Recovery tank lid is loose	Confirm the clear recovery tank lid is securely in place.
	Recovery tank inlet hole is clogged	Drain recovery tank and tilt tank on side. Check the inlet hole for debris and remove debris.
	Recovery tank is full	Drain recovery tank.
	Float shut off is clogged	Remove float shut off from inside recovery tank and any debris.

ÍNDICE

	Página
Precauciones de seguridad	B-2
Componentes de la máquina.....	B-3
Configuración e instalación de la máquina.....	B-4
Funcionamiento de la máquina	B-5
Vaciado del depósito	B-6
Carga de la batería.....	B-7
Mantenimiento preventivo	B-8
Almacenamiento de la máquina	B-8
Resolución básica de problemas.....	B-9
Lista de piezas.....	D-2 – D-18

INSTRUCCIONES DE SEGURIDAD

Esta máquina está diseñada para uso comercial. Está construida para uso en interiores y no ha sido diseñada para ningún otro uso. Utilice únicamente accesorios recomendados.

Todos los operadores deben leer, entender y ejercitar las siguientes instrucciones de seguridad:

- 1) No utilice la máquina:
 - A menos que esté capacitado y autorizado.
 - A menos que usted haya leído y comprendido el manual del usuario.
 - En áreas inflamables o explosivas.
 - Si no está en condiciones apropiadas de funcionamiento.
 - En las zonas al aire libre.
- 2) Antes de utilizar la máquina:
 - Asegúrese de que todos los dispositivos de seguridad estén en su lugar y funcionen correctamente.
- 3) Cuando utilice la máquina:
 - Trabaje lentamente en superficies inclinadas y resbaladizas.
 - Respete todas las pautas de seguridad.
 - Sea muy cuidadoso al utilizar la máquina en reversa.
 - Informe y arregle cualquier daño en la máquina antes de utilizarla.
- 4) Antes de abandonar o reparar la máquina:
 - Detenga la máquina a nivel del suelo.
 - Apague la máquina.
- 5) Cuando repare la máquina:
 - Lea completamente el manual del usuario antes de utilizar o reparar esta máquina.
 - Utilice las partes de repuesto suministradas o aprobadas por el fabricante.
 - Asegure la máquina con el bloqueo de rueda antes de elevar la máquina.
 - Utilice un gato o montacargas aprobado para elevar la máquina de forma segura.
 - Desconecte las baterías antes de trabajar en la máquina.
 - Colóquese guantes al manipular baterías o cables de batería.
 - Evite cualquier contacto con el ácido de batería.
 - Evite mover piezas. No use ropa holgada mientras arregla la máquina.

¡ADVERTENCIA!

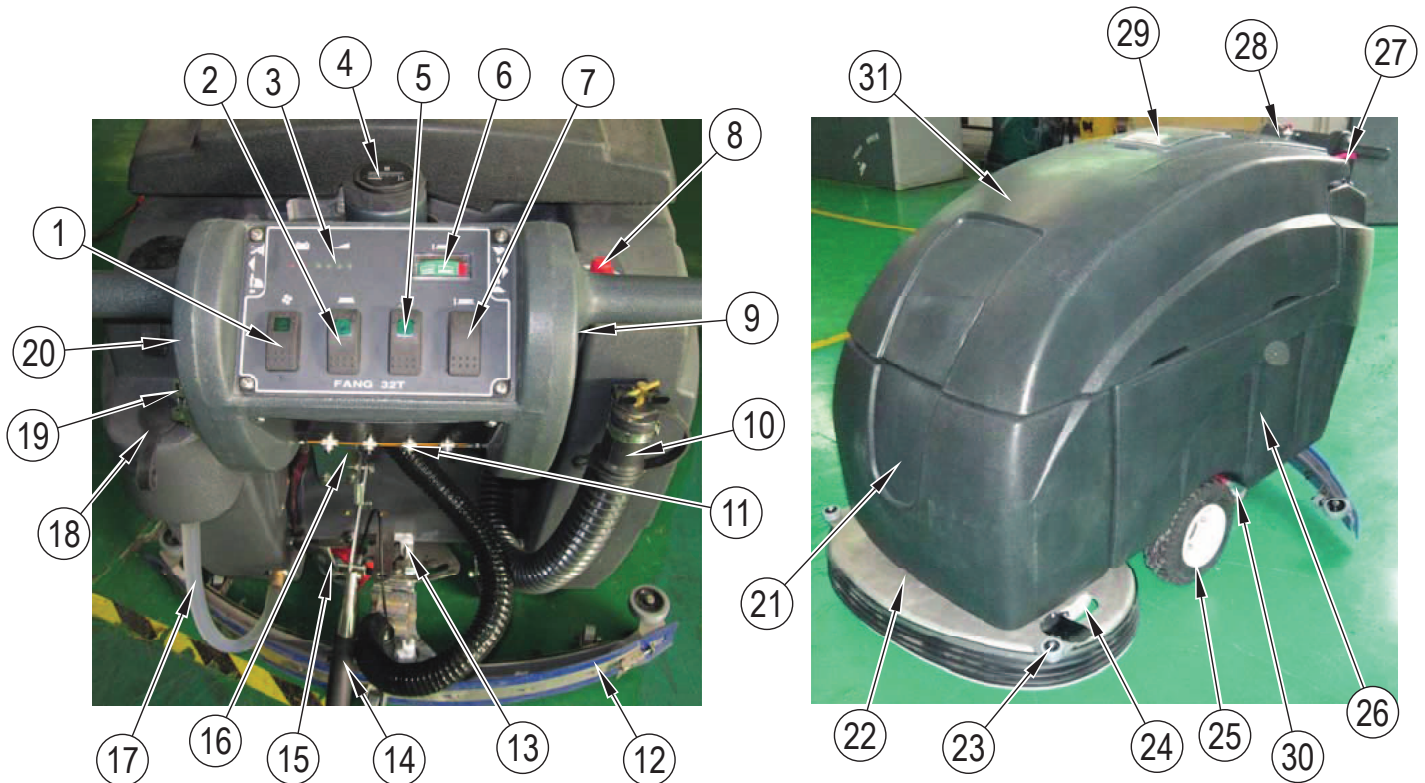
Las baterías emiten gas hidrógeno. El gas hidrógeno puede provocar una explosión o un incendio. ¡Mantenga alejadas chispas y llamas abiertas! Mantenga el compartimento de la batería abierto mientras se está cargando.

Los materiales inflamables pueden provocar una explosión o un incendio. No introduzca materiales inflamables en los depósitos.

Los materiales inflamables o metales reactivos pueden provocar una explosión o un incendio. No los aspire.

COMPONENTES DE LA MÁQUINA

1. Interruptor de encendido/apagado de aspiración
2. Interruptor de encendido/apagado del cepillo
3. Medidor de nivel carga de la batería
4. Cronómetro
5. Interruptor de encendido/apagado de la solución
6. Medidor de presión del cepillo
7. Interruptor de mayor/menor presión del cepillo.
8. Botón de control de la solución
9. Botón de control de la velocidad
10. Tubo de vaciado del depósito de recuperación
11. Disyuntores de circuito
12. Conjunto de la escobilla
13. Eje y tuerca de la escobilla
14. Palanca de elevación de la escobilla
15. Ruedas posteriores
16. Placas de ajuste de la consola
17. Tubo de observación de nivel del depósito de solución
18. Llenado de solución posterior
19. Interruptor de contacto
20. Interruptor de marcha atrás
21. Tapa frontal
22. Cabezal de fregado
23. Rodillos de protección
24. Puerta de cabezal de fregado
25. Ruedas de transporte
26. Depósito de solución
27. Disparadores de funcionamiento
28. Alojamiento del control
29. Tapa del depósito de recuperación
30. Montaje del filtro de la solución
31. Depósito de recuperación



CONFIGURACIÓN E INSTALACIÓN DE LA MÁQUINA

DESEMBALAJE DE LA MÁQUINA

Asegúrese y verifique que el paquete de cartón esté libre de daños. Informe inmediatamente cualquier daño al portador. Verifique el contenido del paquete para asegurarse de que los siguientes elementos estén incluidos: Máquina, baterías (x6), montaje de la escobilla, cargador de batería e portabayetas. (Las baterías y el cargador pueden estar en una plataforma separada)

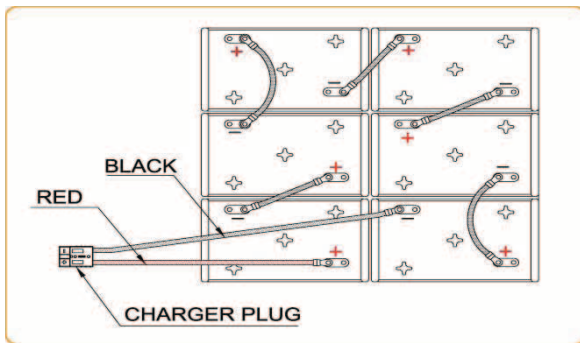
CONEXIONES PARA LAS BATERÍAS

Las baterías y el cargador se envían por separado y deberá ser instaladas y conectadas como se muestra en el siguiente diagrama.

⚠ ¡ADVERTENCIA!

Las baterías emiten gas hidrógeno. El gas hidrógeno puede provocar explosión o incendio. ¡Mantenga alejadas, chispas y llamas abiertas! Mantenga el compartimento de la batería abierto mientras se está cargando.

1. Asegúrese de que el interruptor de alimentación se encuentre en la posición "OFF" (apagado).
2. Abra el depósito de recuperación para acceder al compartimento de la batería.
3. Coloque cuidadosamente las seis baterías en el compartimento como se muestra en la figura a seguir. Coloque la abrazadera de la batería en la parte posterior de las baterías.
4. Conecte los cables de las baterías en el orden que se muestra en el siguiente diagrama. (ROJO al POSITIVO y NEGRO al NEGATIVO)



5. Aplique un revestimiento o aerosol protector en las conexiones del cable para prevenir la corrosión de la batería.

¡NO DEJE CAER LAS BATERÍAS EN EL COMPARTIMENTO!

VERIFICACIONES ANTES DEL FUNCIONAMIENTO

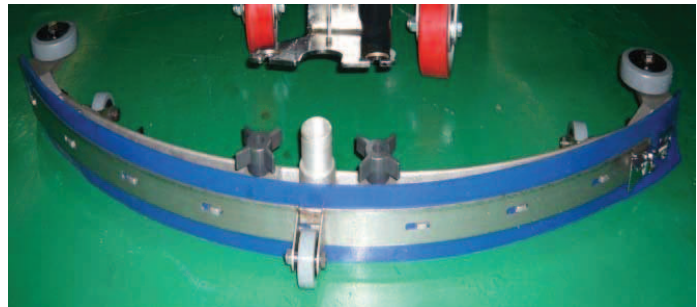
1. Barra o quite el polvo de la superficie a ser limpiada con un trapo.
2. Verifique el medidor de carga de las baterías para asegurarse que éstas se encuentren totalmente cargadas. (VER CARGA DE LA BATERÍA)
3. Asegúrese de que la escobilla esté debidamente instalada.
4. Asegúrese de que el cepillo/almojadilla esté debidamente instalado.

INSTALACIÓN DE PORTABAYETAS O CEPILLOS

1. Asegúrese de que la máquina se encuentra apagada.
2. Eleve del piso el conjunto del cabezal de cepillado presionando el botón de elevación de cepillo en la consola de control.
3. Deslice la ventana de observación del panel en la plataforma de aluminio.
4. Si utiliza un portabayetas, primero monte la almojadilla adecuada en la parte inferior del soporte.
5. Deslice el impulsor de la almojadilla bajo la plataforma y mire a través del visor alineando los tres enganches con los tres agujeros en el cubo de accionamiento del motor. Una vez colocados en los agujeros, rote el portabayetas hacia la pinza de resorte para fijarlo en su lugar.

MONTAJE DE LA ESCOBILLA

1. Tire del mango de elevación de la escobilla para llevar el soporte de la escobilla hacia arriba.
2. Afloje los dos mandos de la escobilla y desplace la escobilla por las ranuras de la parte posterior del soporte de la escobilla. (las ruedas en el punto de la escobilla a la parte posterior)
3. Apriete las perillas de forma segura.
4. Asegure la manguera de aspiración en el tubo de aspiración de la escobilla.



LLENADO DEL DEPÓSITO DE LA SOLUCIÓN

1. El CA90 32T sólo puede ser llenado en la parte trasera de la máquina. Hay una tapa de llenado que se puede quitar por lo que el depósito puede ser llenado con una manguera.
2. Llene el depósito de solución con un máximo de 30 galones de agua. (la temperatura del agua no debe superar los 140 grados F)
3. El tubo transparente debajo del orificio de llenado tiene marcadores de galones para ayudar a determinar el nivel de agua en el depósito de solución.

⚠ ¡ADVERTENCIA!

No coloque ningún material inflamable en el depósito de solución. Esto puede causar una explosión o un incendio. Solamente utilice químicos de limpieza recomendados. Comuníquese con su distribuidor Clarke para conocer los químicos recomendados.

FUNCIONAMIENTO DE LA MÁQUINA

¡ADVERTENCIA!

No utilice esta máquina a menos que usted haya leído y comprendido este manual.

1. Antes de que el equipo funcione, el interruptor principal debe girarse a la posición "on" (encendido). Éste se encuentra en el lado izquierdo de la caja de control. (ver componentes de la máquina, elemento N° 19)
2. Establecer la caja de control a una altura de trabajo cómoda apretando juntas las palancas de pulgar de remolque directamente debajo de la caja (ver componentes de la máquina, elemento N° 16)
3. Baje el conjunto de la escobilla al suelo. Hay una manija de elevación de la escobilla en la parte posterior izquierda de la máquina, justo debajo de la caja de control. (ver componentes de la máquina, elemento N° 14) Levante ligeramente hacia arriba el mango y muévelo a la derecha, la escobilla ahora está lista para ser bajada al suelo.
4. Baje el cabezal del cepillo al suelo pulsando el botón inferior del cepillo en la caja de control. (ver componentes de la máquina, elemento N° 7)
5. Gire el interruptor del motor de aspiración a la posición "on" (encendido). (ver componentes de la máquina, elemento N° 1)
6. Gire el interruptor del motor de cepillo a la posición "on" (encendido). (ver componentes de la máquina, elemento N° 2)
 - a. Los cepillos no girarán hasta que se aprieten de los disparadores de funcionamiento.
7. Gire el interruptor de la solución a la posición "on" (encendido). (ver componentes de la máquina, elemento N° 3)
 - a. La solución no comenzará a fluir hasta que se aprieten los disparadores de funcionamiento.
8. Para comenzar a fregar, apriete uno o ambos disparadores rojos de funcionamiento. (ver componentes de la máquina, elemento N° 12) Cuando se aprieten los disparadores, los cepillos comenzarán a girar, la solución comenzará a fluir y la máquina se impulsará.
9. Esta máquina es autopulsada. La velocidad se puede ajustar por un dial situado en el lado derecho de la caja de control. (ver componentes de la máquina, elemento N° 9)
10. Esta máquina tiene marcha atrás. Con el fin de activar la marcha atrás, hay un interruptor en el lado izquierdo de la caja de control. (ver componentes de la máquina, elemento N° 20) El interruptor debe ser apretado / presionado para activar la marcha atrás.

SUGERENCIA: No mantenga la máquina en la misma posición con la almohadilla/cepillo girando, ya que podría causar daños en el piso.

11. Ajuste la cantidad de flujo de la solución girando la perilla de control de la solución. Gire la perilla hacia la derecha para más solución, o hacia la izquierda para menos solución. (ver componentes de la máquina, elemento N° 8)
12. Hay un cronómetro de hora situado en la parte superior de la caja de control. (ver componentes de la máquina, elemento N° 4) El operador puede ver el tiempo de operación.

MIENTRAS SE OPERA LA MÁQUINA

1. Mirar de vez en cuando a través de la tapa transparente del depósito de recuperación para ver si hay alguna acumulación de espuma. Si se encuentra un exceso de espuma, añadir antiespumante en el depósito de recuperación.

⚠ ¡ADVERTENCIA!

La espuma no debe entrar en la pantalla de cierre flotante, o puede dañarse el motor de aspiración. La espuma no activará el dispositivo flotador de cierre de la máquina.

2. Observar de vez en cuando el tubo transparente en la parte trasera izquierda de la máquina, para comprobar la cantidad de solución de limpieza que se deja en la máquina.
3. Revise de vez en cuando el medidor de nivel de la batería. (ver componentes de la máquina, elemento N° 3) Cuando el medidor está en rojo, recargar las baterías.

⚠ ¡ADVERTENCIA!

Cuando el medidor de batería esté en rojo, no siga operando la máquina. Puede dañarse la batería.

4. Si el conjunto de la escobilla deja marcas en el suelo, levante la escobilla del suelo y limpie las hojas con un paño húmedo.

⚠ ¡ADVERTENCIA!

No utilice los dedos para borrar o eliminar los desechos de las hojas, ya que esto puede ocasionar daños.

5. Cuando el depósito de solución se vacíe, apague el interruptor del cepillo, el interruptor de la solución, y eleve la cabeza del cepillo. Mantenga la escobilla hacia abajo y continúe aspirando hasta que toda el agua sucia sea recogida. (véase la sección VACIADO DEL DEPÓSITO para aprender a drenar los depósitos de recuperación y de solución)

SUGERENCIA: Los motores de los cepillos están protegidos con disyuntor para protegerlos de daños. Si un disyuntor se dispara, no puede restablecerse de inmediato. Primero debe determinar cuál fue la causa del disparo del disyuntor, y permitir que el motor se enfríe antes de poder restablecerlo. Los disyuntores se encuentran en el panel posterior de la caja de control.

VACIADO DE DEPÓSITO

1. Desenchufe la máquina
2. Con la escobilla y el cabezal del cepillo en la posición "arriba", transporte la máquina a una zona aprobada para drenar el/los depósito(s).

VACIADO DEL DEPÓSITO DE RECUPERACIÓN (SUCIO)

SUGERENCIA: Cada vez que se completa el lavado o cuando se rellena el depósito de solución, el depósito de recuperación también debe vaciarse y limpiarse.

⚠ ¡ADVERTENCIA!

Si el depósito de recuperación no se vacía cuando el depósito de solución se ha rellenado, espuma o agua pueden entrar en el mecanismo de cierre del flotante y causar daños en el motor de aspiración.

1. Retire el tubo de drenaje del soporte y coloque el tubo de drenaje en un desagüe en el suelo. Desenrosque el tapón del tubo de drenaje para comenzar el proceso de drenaje. Para vaciar completamente el depósito de recuperación, abra el depósito de recuperación y se déjelo reposar sobre el soporte.
2. Limpie el depósito de recuperación después de cada uso. Utilice una manguera con agua fresca para enjuagar el interior del depósito. Tenga cuidado de no rociar agua en el mecanismo de cierre del flotador.

SUGERENCIA: Si va a guardar la máquina durante un período de tiempo, deje siempre la tapa transparente del depósito de recuperación fuera del depósito para que el depósito se seque completamente, y huela fresco.

3. Vuelva a colocar correctamente el tapón del tubo de vaciado tan pronto como termine de drenar el depósito.

VACIADO DEL DEPÓSITO DE LA SOLUCIÓN (LIMPIA)

SUGERENCIA: Siempre que se complete la operación de fregado, el depósito de la solución debe ser drenado y limpiado.

1. Tire hacia abajo del tubo transparente (lateral izquierdo de la máquina) para sacarlo de la lengüeta de la manguera. Esto permitirá que la solución fluya libremente en un balde o en el drenaje del piso.
2. Enjuague el depósito de solución con agua limpia después de cada uso. Esto ayudará a prevenir la acumulación de productos químicos y la obstrucción de las tuberías de solución.
3. Con agua limpia en el depósito de la solución, encienda la máquina, encienda el interruptor de la solución y apriete el disparador de funcionamiento. Esto permitirá que el agua limpia lavar y limpiar a través de la tubería de solución.
4. Una vez que el depósito se enjuaga, se lava y se escurre, se vuelve a conectar el tubo transparente a la lengüeta de la manguera. Asegúrese de que el tubo se empuja completamente hacia arriba en la lengüeta de la manguera.

CARGA DE BATERÍAS

⚠ ¡ADVERTENCIA!

Utilice únicamente cargadores aprobados con las siguientes especificaciones:

- Circuito de desconexión automática
- Ciclo de carga profunda
- Intensidad de salida de 20 a 30 amperios.
- Tensión de salida de 36 voltios.

SUGERENCIA: Para obtener el mejor rendimiento de la máquina, mantener las pilas cargadas en todo momento. No dejes que permanezcan descargadas.

⚠ ¡ADVERTENCIA!

¡Las baterías son peligrosas! Las baterías emiten hidrógeno, lo que puede provocar una explosión o un incendio. Mantenga las chispas y el fuego lejos de las baterías en todo momento. Cuando la máquina se esté cargando, asegúrese de que el compartimiento de la batería esté abierto.

1. Coloque el cargador y la máquina en una zona bien ventilada.
2. Apague la máquina.
3. Abra el depósito de recuperación, exponiendo el compartimiento de la batería.
4. Revise el nivel de líquido en cada celda de la batería. No cargue las baterías a menos que el fluido esté cubriendo ligeramente las placas de la batería. No sobrecargue las baterías. La sobrecarga puede provocar que las baterías se desborden durante la carga debido a una expansión. Vuelva a colocar las tapas antes de la carga.
5. Conecte el cargador aprobado al tomacorriente de pared con conexión a tierra antes de conectar el cargador a la máquina.
6. Conecte el cargador al receptáculo gris del cargador situado en la parte delantera izquierda del compartimiento de la batería.
7. Levante el "soporte" del depósito de recuperación y baje con cuidado el depósito de recuperación hasta que se apoye en el soporte.
8. El cargador se activará automáticamente para cargar las baterías, y se apagará automáticamente una vez que las baterías estén completamente cargadas.
9. Al finalizar la carga, desconecte el cargador de la toma de corriente y desconecte el cargador de la máquina.
10. Revise el nivel del líquido de la batería después de que la carga haya finalizado. Si el nivel de líquido está bajo, añada agua destilada para que el nivel del líquido suba hasta el fondo de los tubos de observación. Vuelva a colocar los tapones y limpie las baterías con una toalla.



MANTENIMIENTO PREVENTIVO

⚠ ¡ADVERTENCIA!

Antes de realizar cualquier mantenimiento en la máquina, asegúrese de que esté apagada o que las baterías estén desconectadas.

Las reparaciones deben ser realizadas únicamente por un centro de servicio autorizado de Clarke. Cualquier reparación realizada por personal no autorizado anulará la garantía.

MANTENIMIENTO DIARIO

1. Quite el controlador de la almohadilla / cepillo y limpie con un limpiador aprobado.
2. Escurra los depósitos de recuperación y de solución por completo y enjuáguelos con agua limpia. Compruebe visualmente la presencia de residuos en el depósito de recuperación y limpie de ser necesario.
3. Levante el conjunto de la escobilla del piso y límpiela con una toalla húmeda. Asegúrese de guardar la escobilla en posición hacia arriba.
4. Retire el conjunto de cierre de flotador y enjuague con agua limpia.



5. Limpie la máquina con un limpiador aprobado y una toalla húmeda.
6. Vuelva a cargar las baterías.

MANTENIMIENTO SEMANAL

1. Revise el nivel del líquido en las baterías.
2. Verifique si las baterías tienen cables sueltos o corroídos.
3. Mantenga la parte superior de la batería limpia de la corrosión.

MANTENIMIENTO MENSUAL

1. Compruebe si la máquina presenta fugas o le faltan sujetadores.
2. Lubrique todos los puntos de engrase y los puntos de giro con un pulverizador de silicona y grasa aprobada.
3. Coloque la máquina sobre un desagüe en el suelo. Lave el sistema de solución mediante el vertido de 3 galones de agua caliente y detergente alcalino aprobado en el depósito de solución y el funcionamiento de la máquina (con control de solución encendido) durante 45 segundos. Apague la máquina y deje reposar durante la noche. Al día siguiente, escurra la solución restante y enjuague el depósito de solución con agua limpia.

MANTENIMIENTO DEL MOTOR DE ASPIRACIÓN:

1. Póngase en contacto con su distribuidor local de Clarke para cualquier tarea de mantenimiento del motor.
2. Los cepillos del motor de aspiración deben ser revisados cada 250 horas. Los cepillos deben ser reemplazados cuando lleguen a una longitud de 10 mm o menos.

MANTENIMIENTO DE LA BATERÍA

SUGERENCIA: Para obtener el mejor rendimiento de la máquina, mantener las pilas cargadas en todo momento. No deje que permanezcan descargadas.

⚠ ¡ADVERTENCIA!

¡Las baterías son peligrosas! Las baterías emiten hidrógeno, lo que puede provocar una explosión o un incendio. Mantenga las chispas y el fuego lejos de las baterías en todo momento. Cada vez que haga el mantenimiento de las baterías, asegúrese de usar guantes de protección. ¡Evite en todo momento el contacto con el ácido de las baterías!

1. Siempre siga las instrucciones de carga de la batería como se indica en la sección de CARGA DE LA BATERÍA de este manual.
2. Mantenga la parte superior de la batería y los terminales libres de corrosión. Una solución concentrada de bicarbonato de sodio y agua es la mejor manera de mantener la batería libre de corrosión. **NO PERMITA QUE EL BICARBONATO DE SODIO/ SOLUCIÓN DE AGUA ENTRE EN LAS CÉLULAS DE LAS BATERÍAS.**
3. Use un cepillo de alambre con la solución de bicarbonato de sodio para limpiar correctamente los bornes de la batería y las conexiones.
4. Verifique la presencia de desgaste y terminales sueltos en las conexiones de la batería. Sustituya si es necesario.

ALMACENAMIENTO DE LA MÁQUINA

1. Siempre guarde la máquina en interiores.
2. Guarde la máquina en un lugar seco.
3. Guarde siempre la máquina sin las almohadillas de los cepillos.
4. Guarde siempre la máquina con el montaje de la escobilla en posición hacia arriba.
5. Si la guardará en un área que puede alcanzar temperaturas de congelación, asegúrese de drenar todos los líquidos de la máquina antes de su almacenamiento. Cualquier daño causado por temperaturas de congelación no estará cubierto por la garantía. Retire la cubierta del filtro de solución VF82168-2 para drenar todas las mangueras de forma fluida.
6. Vacíe el depósito de recuperación y quite la tapa transparente en la parte superior del depósito de recuperación para que pueda "respirar" durante el almacenamiento.
7. Vacíe el depósito de solución de todo el fluido.

RESOLUCIÓN DE PROBLEMAS BÁSICOS

PROBLEMA	CAUSA	SOLUCIÓN
No hay potencia	Baterías malas	Reemplace las baterías.
	La llave no está en posición "ON" (encendido)	Gire el interruptor de llave a la posición "ON" (encendido).
	Disyuntor principal disparado	Póngase en contacto con un distribuidor Clarke
	Las baterías necesitan cargarse	Cargue las baterías (ver Carga de baterías)
	Cable de la batería suelto	Ajuste el/los cable(s) sueto(s)
	Las baterías no están conectadas adecuadamente	Siga las instrucciones de instalación de baterías
El motor del cepillo no arranca.	Interruptor de cepillo dañado	Póngase en contacto con un distribuidor Clarke
	Se disparó el disyuntor del cepillo	Verifique si existen obstrucciones en el motor del cepillo y reinicie el disyuntor
	Cableado dañado	Póngase en contacto con un distribuidor Clarke
	Motor de cepillo dañado	Póngase en contacto con un distribuidor Clarke
	Cepillos de carbón desgastados	Póngase en contacto con un distribuidor Clarke
	Solenoides malos	Póngase en contacto con un distribuidor Clarke
El motor de aspiración no arranca.	Interruptor de aspiración dañado	Póngase en contacto con un distribuidor Clarke
	Cableado dañado	Póngase en contacto con un distribuidor Clarke
	Motor de aspiración dañado	Póngase en contacto con un distribuidor Clarke
	Cepillos de carbón desgastados	Póngase en contacto con un distribuidor Clarke
Corto tiempo de ejecución	Las baterías necesitan cargarse	Cargue las baterías (ver Carga de baterías)
	Las baterías necesitan mantenimiento	Vea Mantenimiento de baterías en este manual
	Daño en la célula de la(s) batería(s)	Reemplace las baterías.
	Mal cargador	Reemplace el cargador
Poco flujo de solución o ausencia del mismo	Interruptor de solución dañado	Póngase en contacto con un distribuidor Clarke
	Obstrucción de la solución de solenoide	Póngase en contacto con un distribuidor Clarke
	Obstrucción del filtro de la solución	Retire el filtro y límpielo
	Obstrucción de la línea de solución	Retire la línea de solución y límpiela
	La perilla de ajuste de flujo de la solución necesita ajuste	Aumentar el flujo girando la perilla de ajuste solución a la derecha. Disminuir el flujo girando la perilla de ajuste solución a la izquierda.
Recogida escasa de agua	Escobilla obstruida	Limpie la suciedad de la escobilla con una toalla húmeda
	Hojas desgastadas de la escobilla	Instale nuevas hojas de la escobilla
	Escobilla sin montar correctamente	Confirme que el conjunto de la escobilla está bien conectado a la máquina y el accesorio no suelta.
	Las mangueras de aspiración tienen un agujero o están sueltas	Revise las conexiones de la manguera y asegúrese de que estén firmes. Cambie la manguera si está dañada.
	La manguera de aspiración puede estar obstruida	Revise la manguera y remueva cualquier obstrucción.
	El tapón del tubo de drenaje está flojo	Apretar el tapón de drenaje.
	Las baterías necesitan cargarse	Cargue las baterías (ver Carga de baterías)
	El motor de aspiración está suelto	Apriete los tornillos de montaje de motor de la aspiradora. No apriete demasiado o se producirán daños.
	La tapa del depósito de recuperación está suelta	Confirme que la tapa transparente del depósito de recuperación esté firmemente en su lugar.
	Orificio de entrada del depósito de recuperación está obstruido	Vacíe el depósito de recuperación e inclínelo hacia un lado. Compruebe el orificio de entrada de residuos y elimine los residuos.
	El depósito de recuperación está lleno	Drene el depósito de recuperación.
	El flotador de cierre está obstruido	Retire el flotador de cierre desde el interior del depósito de recuperación y todos los residuos.

TABLE DES MATIÈRES

	Page
Consignes de sécurité	C-2
Composants de la machine	C-3
Montage et installation de la machine	C-4
Fonctionnement de la machine	C-5
Vidange du réservoir	C-6
Mise en charge de la batterie	C-7
Maintenance préventive	C-8
Rangement de la machine.....	C-8
Dépannage de base	C-9
Liste des pièces.....	D-2 – D-18

CONSIGNES DE SÉCURITÉ

Cette machine est conçue pour un usage commercial uniquement. Elle est prévue pour une utilisation en intérieur et n'est conçue pour aucun autre usage. N'utiliser que les accessoires recommandés

Tous les utilisateurs doivent lire, assimiler et appliquer les consignes de sécurité énoncées ci-après :

- 1) N'utilisez pas la machine.
 - Si vous n'avez pas suivi la formation requise et si vous n'y êtes pas autorisé.
 - Si vous n'avez pas lu et bien assimilé le manuel d'utilisation.
 - Dans des zones ininflammables ou présentant un risque d'explosion
 - Si la machine n'est pas en état de fonctionnement.
 - En extérieur.
- 2) Avant d'utiliser la machine
 - Vérifiez que tous les dispositifs de sécurité sont en place et fonctionnent correctement.
- 3) Lors de l'utilisation de la machine :
 - Avancez lentement sur les surfaces en pente ou glissantes
 - Respectez les consignes de sécurité.
 - Soyez très prudent en cas d'utilisation de la machine en marche arrière.
 - Signalez et réparez tout défaut avant d'utiliser la machine.
- 4) Avant de laisser la machine ou de procéder à une intervention sur celle-ci :
 - Arrêtez la machine sur une surface plane.
 - Eteignez-la.
- 5) Lors d'une intervention d'entretien sur la machine :
 - Lisez attentivement le manuel d'utilisation avant d'utiliser ou d'intervenir sur cette machine.
 - N'utilisez que des pièces de rechange fournies ou agréées par le fabricant.
 - Immobilisez la machine à l'aide de cales placées sur les roues avant de lever la machine.
 - Utilisez un vérin ou un palan agréé afin de lever la machine en toute sécurité.
 - Débranchez les batteries avant d'intervenir sur la machine.
 - Portez des gants lorsque vous manipulez les batteries ou les câbles de batterie.
 - Évitez tout contact avec l'acide de la batterie.
 - Tenez-vous à distance des pièces mobiles de la machine. Évitez de porter des vêtements amples en cas d'intervention sur la machine.

AVERTISSEMENT !

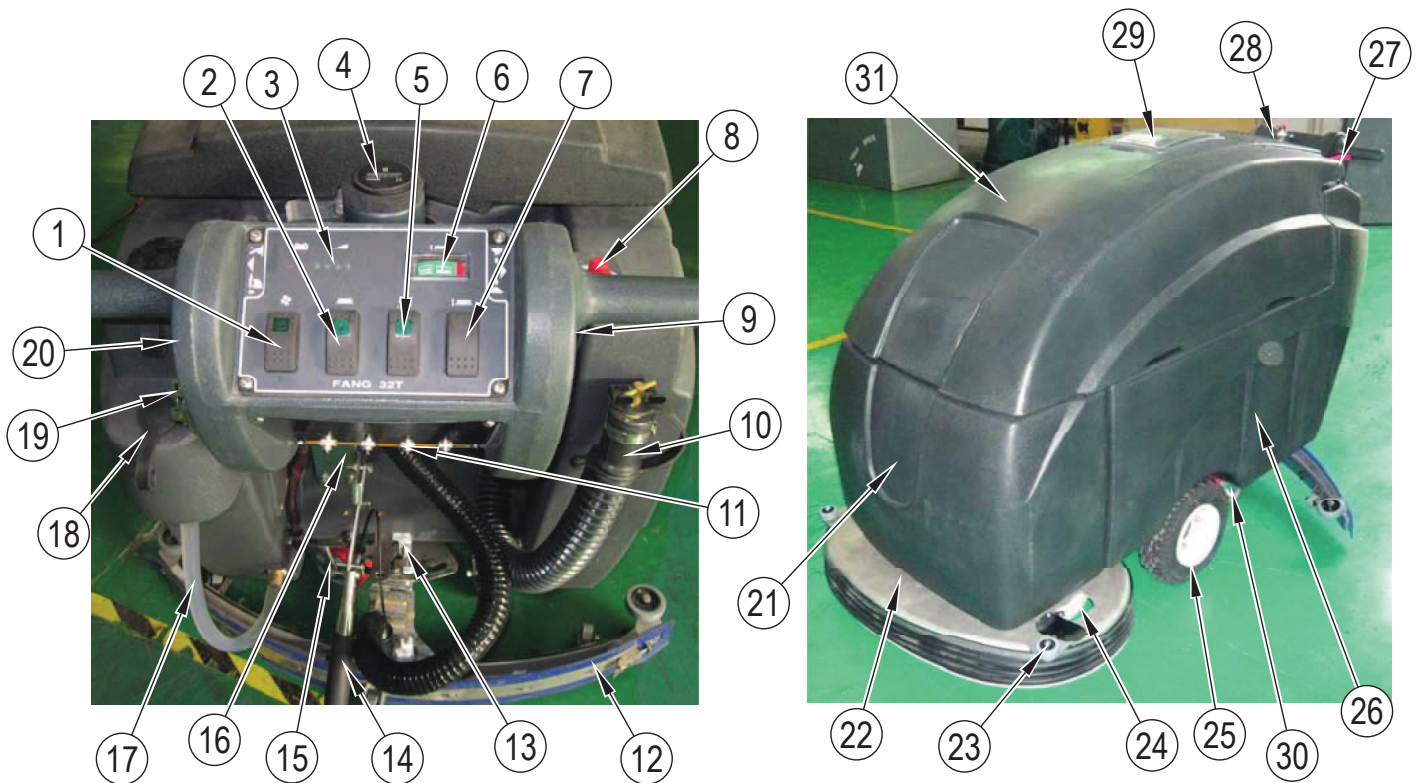
Les batteries émettent de l'hydrogène. Ce gaz peut exploser ou prendre feu. Évitez toute étincelle ou flamme nue à proximité de la machine. Laissez le compartiment de la batterie ouvert pendant que celle-ci est en charge.

Les produits ou matériaux inflammables peuvent provoquer une explosion ou un incendie. Ne pas utiliser de produits inflammables dans les réservoirs

Les produits inflammables ou métaux réactifs peuvent provoquer une explosion ou un incendie. N'aspirez aucun produit inflammable.

COMPOSANTS DE LA MACHINE/NOMENCLATURE

- | | |
|------------------------------------------------------------------|-------------------------------------------------------|
| 1. Interrupteur de marche / arrêt de l'aspiration | 16. Leviers de réglage du tableau de bord |
| 2. Interrupteur de marche / arrêt de la brosse | 17. Tube de regard du niveau du réservoir de solution |
| 3. Indicateur de niveau de charge de la batterie | 18. Goulot de remplissage de solution arrière |
| 4. Compteur horaire | 19. Interrupteur principal |
| 5. Interrupteur de marche / arrêt de la solution | 20. Interrupteur de marche arrière |
| 6. Interrupteur de pression de la brosse | 21. Capot avant |
| 7. Interrupteur de réglage de la pression de la brosse (UP/DOWN) | 22. Tête de nettoyage |
| 8. Bouton de contrôle de la solution | 23. Rouleaux de protection |
| 9. Bouton de contrôle de vitesse | 24. Trappe de la tête de nettoyage |
| 10. Tuyau de vidange du réservoir de récupération | 25. Roues de transport |
| 11. Disjoncteurs | 26. Réservoir de solution |
| 12. Raclette | 27. Commandes de fonctionnement |
| 13. Écrou et axe de réglage de la raclette | 28. Logement des commandes |
| 14. Levier de relevage de la raclette | 29. Couvercle du réservoir de récupération |
| 15. Roulettes arrière | 30. Filtre de solution |
| | 31. Réservoir de récupération |



MONTAGE ET INSTALLATION DE LA MACHINE

DÉBALLAGE DE LA MACHINE

Vérifiez que l'emballage n'est pas abimé. Signalez immédiatement tout dommage au transporteur. Vérifiez le contenu de l'emballage et assurez-vous que les éléments suivants

Sont bien dedans : La machine, les batteries (x6), la raclette, le chargeur de batterie et les porte-disques. (les batteries et le chargeur peuvent se trouver dans un emballage séparé)

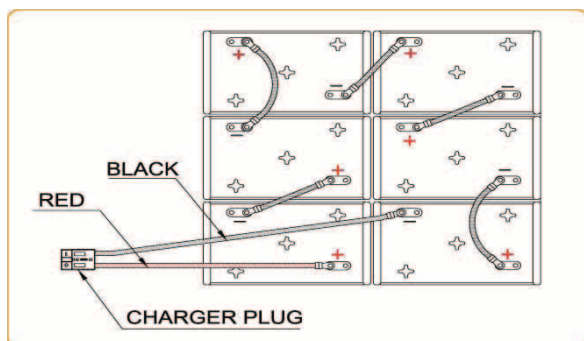
BRANCHEMENT DE LA BATTERIE

Les batteries et le chargeur sont livrés séparément et doivent être installés et branchés comme illustré sur le schéma ci-dessous.

⚠ AVERTISSEMENT !

Les batteries émettent de l'hydrogène. Ce gaz peut exploser ou prendre feu. Évitez toute étincelle ou flamme nue à proximité de la machine. Laissez le compartiment de la batterie ouvert pendant que celle-ci est en charge.

1. Assurez-vous que le commutateur à clé est en position d'arrêt («off»).
2. Ouvrez le réservoir de récupération pour accéder au compartiment batterie.
3. Placez soigneusement les six batteries dans le compartiment comme illustré sur la figure ci-dessous. Placez la barre de retenue à l'arrière des piles.
4. Branchez les câbles de batterie sur les bornes comme illustré sur le schéma ci-dessous. (ROUGE sur le POSITIF et le NOIR sur le NÉGATIF)



5. Appliquez ou vaporisez une couche de produit de protection sur les connexions afin d'empêcher la corrosion des batteries.

NE PAS JETER LES BATTERIES DANS LE COMPARTIMENT !

VÉRIFICATIONS AVANT UTILISATION

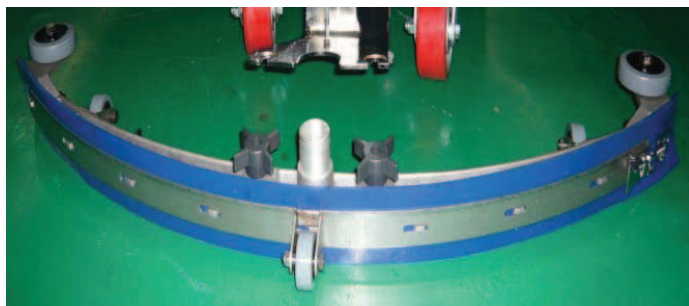
1. Balayez ou enlevez la poussière de la surface à nettoyer avec une serpillère.
2. Vérifiez l'indicateur de charge des batteries afin de vous assurer qu'elles sont complètement chargées. (VOIR LE PARAGRAPHE CHARGE DES BATTERIES)
3. Vérifiez que la raclette est bien mise en place.
4. Assurez-vous que la brosse/le disque est bien en place.

MISE EN PLACE DES PORTE-DISQUES OU DES BROSSES

1. Assurez-vous que la machine est éteinte.
2. Relevez la brosse du sol en appuyant sur le bouton de relevage de la brosse, situé sur le tableau de commande.
3. Refermez le panneau de la fenêtre de contrôle sur le logement en aluminium.
4. En cas d'utilisation d'un porte-disque, commencez par fixer le disque requis sur le porte-disque
5. Glissez le porte-disque sous le plateau et regardez par le panneau de contrôle de façon à bien aligner les trois ergots sur les trois trous situés sur le moyeu d'entraînement. Une fois bien enclenché dans les trous, faites pivoter le disque vers l'attache à ressort afin de fixer le porte-disque en place.

INSTALLATION DE LA RACLETTE

1. Tirez sur le levier de relevage de la raclette afin de relever le support de fixation de celle-ci.
2. Desserrez les deux boutons sur la raclette et glissez la raclette dans les fentes situées à l'arrière du support de fixation. (les roues sur la raclette sont orientées vers l'arrière)
3. Resserrez à fond les boutons.
4. Fixez le tuyau d'aspiration sur le tube d'aspiration de la raclette.



REMPLISSAGE DU RÉSERVOIR DE SOLUTION

1. Le remplissage du réservoir du CA90 32T ne se fait que par l'arrière de la machine. Il est possible d'enlever le bouchon de remplissage de façon à remplir le réservoir à l'aide d'un tuyau.
2. Remplissez le réservoir de solution de 30 gallons d'eau. (la température de l'eau ne doit pas dépasser 140 degrés Fahrenheit)
3. Sur le tuyau clair situé sous l'orifice de remplissage se trouve des repères qui indiquent le niveau d'eau dans le réservoir de solution.

⚠ AVERTISSEMENT !

Ne mettez aucun produit inflammable dans le réservoir de solution. Cela risque de provoquer une explosion ou un incendie. N'utilisez que les produits nettoyants recommandés. Contactez votre distributeur Clarke pour connaître les nettoyants chimiques recommandés.

FONCTIONNEMENT DE LA MACHINE

AVERTISSEMENT !

Ne pas utiliser la machine avant d'avoir lu et bien assimilé ce manuel.

1. Avant d'utiliser la machine, vérifiez que l'interrupteur à clé est bien positionné sur «on» (Marche) Celui-ci est situé à gauche du boîtier de commande. (cf. élément N° 19 de la nomenclature de la machine)
2. Réglez le boîtier de commande à la bonne hauteur en appuyant simultanément sur les leviers de réglage situés juste au-dessous du boîtier (cf. élément N° 16 de la nomenclature).
3. Abaissez la raclette de façon à ce qu'elle repose sur le sol. La poignée de levage de la raclette est située à gauche à l'arrière de la machine, juste au-dessous du boîtier de commande. (cf. élément N° 14 de la nomenclature). Levez légèrement la poignée et déplacez la vers la droite ; la raclette peut maintenant être abaissée de façon à reposer sur le sol.
4. Abaissez la tête porte-brosse jusqu'au sol en appuyant sur le bouton inférieur de la brosse situé sur le boîtier de commande. (cf. élément N° 7 de la nomenclature de la machine)
5. Mettez l'interrupteur du moteur d'aspiration sur "on" (Marche). (cf. élément N° 1 de la nomenclature de la machine)
6. Mettez l'interrupteur du moteur des brosses sur "on" (Marche). (cf. élément N° 2 de la nomenclature de la machine)
 - a. Les brosses ne commencent à tourner que lorsque l'on tire sur les manettes de fonctionnement.
7. Mettez l'interrupteur de solution sur "on" (Marche). (cf. N° 3 de la nomenclature de la machine)
 - a. La solution ne commence à couler que si vous tirez sur les manettes de commande.
8. Pour commencer le nettoyage proprement dit, tirez sur une ou sur les deux manettes rouges. (Cf. élément N° 27 de la nomenclature). Si vous tirez sur les manettes, les brosses commencent à tourner, la solution arrive et la machine commence à avancer.
9. Cette machine est autopropulsée. La vitesse de déplacement peut être réglée grâce à un bouton gradué situé à droite du boîtier de commande. (cf. élément N° 9 de la nomenclature de la machine)
10. Cette machine peut également se déplacer en marche arrière. Pour enclencher la marche arrière, il suffit d'actionner le commutateur à bascule situé à gauche du boîtier de commande. (cf. élément N°20 de la nomenclature) Cet interrupteur à bascule doit être tiré ou enfoncé pour enclencher la marche arrière.

CONSEIL : Ne pas immobiliser la machine lorsque la brosse ou le disque tourne, car cela risque d'abîmer le sol.

11. Réglez le débit de solution à l'aide du bouton de commande de solution. Tournez ce bouton vers la droite pour augmenter le débit ou vers la gauche pour le réduire. (cf. élément N° 8 de la nomenclature)
12. Un compteur horaire est situé dans la partie supérieure du boîtier de commande. cf. élément N° 14 de la nomenclature). L'opérateur peut ainsi contrôler la durée d'utilisation.

LORSQUE LA MACHINE FONCTIONNE

1. Regardez de temps en temps par le couvercle transparent du réservoir de récupération afin de voir s'il n'y a pas de mousse. Si le volume de mousse semble excessif, ajouter un agent anti-mousse dans le réservoir de récupération.

⚠ AVERTISSEMENT !

La mousse ne doit pas pénétrer dans le tamis de fermeture à flotteur car cela risquerait d'endommager le moteur d'aspiration. La mousse n'actionnera pas le système de fermeture à flotteur de la machine.

2. De temps à autre, examinez le tube transparent situé à gauche à l'arrière de la machine afin de vérifier la quantité de solution de nettoyage restant dans la machine.
3. Vérifiez également, de temps en temps l'indicateur du niveau de charge de la batterie. (cf. N° 3 de la nomenclature). Lorsque le voyant est rouge, cela signifie que les batteries doivent être rechargées.

⚠ AVERTISSEMENT !

Lorsque l'indicateur du niveau de charge est rouge, cessez d'utiliser la machine. Au risque d'endommager la batterie.

4. Si la raclette laisse des traces sur le sol, relevez-la de façon à ce qu'elle ne touche plus le sol et essuyez les lames avec un chiffon humide.

⚠ AVERTISSEMENT !

Ne pas essuyer ou nettoyer les lames de la raclette avec les doigts, au risque de vous blesser.

5. Lorsque le réservoir de solution est vide, coupez l'interrupteur des brosses et l'interrupteur de solution (position off) et relevez la tête des brosses. Laissez la raclette en position basse et continuez à aspirer jusqu'à ce que toute l'eau sale soit aspirée. (voir le chapitre VIDANGE DU RÉSERVOIR pour plus de détails sur la vidange du réservoir de récupération et du réservoir de solution).

CONSEIL : Les moteurs des brosses sont protégés par un disjoncteur afin d'éviter tout dommage. Si le disjoncteur se déclenche, il est possible de le réenclencher immédiatement. Il est cependant impératif de déterminer la cause de ce déclenchement et de laisser le moteur refroidir avant de réenclencher le disjoncteur. Les disjoncteurs sont situés sur le panneau arrière du boîtier de commande.

VIDANGE DU RÉSERVOIR

1. Éteignez la machine.
2. La raclette et la brosse étant en position "relevée", amenez la machine dans un endroit approprié pour vidanger le(s) réservoir(s).

VIDANGE DU RÉSERVOIR DE RÉCUPÉRATION (SALE)

CONSEIL : Une fois l'opération de nettoyage terminée ou lors du remplissage du réservoir de solution, il est important de vidanger et de nettoyer le réservoir de récupération.

⚠ AVERTISSEMENT !

Si le réservoir de récupération n'est pas vidangé alors que le réservoir de solution a été rempli, de la mousse ou de l'eau risque de pénétrer dans le mécanisme de fermeture à flotteur et d'endommager le moteur d'aspiration.

1. Sortir le tuyau de vidange de son support et le placer au-dessus d'un regard de vidange. Dévisser le bouchon du tuyau de vidange afin de lancer l'opération de vidange. Afin de vider complètement le réservoir de récupération, ouvrez celui-ci et laissez le reposer sur le support.
2. Nettoyez le réservoir de récupération après chaque utilisation de la machine. Utilisez de l'eau propre pour rincer l'intérieur du réservoir au tuyau. Veillez à ne pas pulvériser de l'eau dans le mécanisme de fermeture à flotteur.

CONSEIL : Si la machine doit être entreposée pendant un certain temps, retirez toujours le couvercle transparent du réservoir de récupération de façon à ce qu'il puisse sécher complètement et que les mauvaises odeurs ne s'accumulent pas à l'intérieur.

3. Remettez le tuyau de vidange bien en place aussitôt après avoir fini de vidanger le réservoir.

VIDANGE DU RÉSERVOIR DE SOLUTION (PROPRE)

CONSEIL : Une fois l'opération de nettoyage terminée, il est important de vidanger et de nettoyer le réservoir de solution

1. Tirez sur le tuyau transparent (à l'arrière à gauche de la machine) pour le débrancher du raccord fileté. Ceci permet à la solution de s'écouler librement dans un seau ou un siphon de sol.
2. Rincer le réservoir de solution à l'eau claire après chaque utilisation. Ceci permet d'éviter que les produits chimiques ne se déposent et bouchent le circuit de solution.
3. Après avoir mis de l'eau propre dans le réservoir de solution, allumez la machine, mettez l'interrupteur de solution sur « on » et tirez sur les manettes de commande. Ceci permet de rincer tout le circuit de solution à l'eau propre.
4. Une fois le réservoir rincé et vidangé, rebranchez le tuyau transparent sur le raccord fileté. Vérifiez que le tuyau est bien enfoncé dans le raccord fileté.

MISE EN CHARGE DE LA BATTERIE

⚠ AVERTISSEMENT !

N'utilisez que des chargeurs agréés ayant les caractéristiques suivantes :

- Circuit de coupure automatique
- Charge de cycle complet
- Courant de sortie de 20 à 30 Ampères.
- Tension de sortie : 36 volts.

CONSEIL : Pour garantir de meilleures performances, maintenez les batteries chargées en permanence. Ne pas les laisser dans la machine si elles sont déchargées.

⚠ AVERTISSEMENT !

Les batteries sont des éléments dangereux ! Elles émettent de l'hydrogène et peuvent de ce fait présenter un risque d'explosion ou d'incendie. Les tenir éloignées de toute étincelle ou flamme. Lorsque la machine est en charge, assurez-vous que le compartiment des batteries est maintenu ouvert.

1. Placez le chargeur et la machine dans un endroit bien aéré.
2. Eteignez la machine.
3. Ouvrez le réservoir de récupération, de façon à pouvoir accéder au compartiment batterie.
4. Vérifiez le niveau du liquide batterie dans chacun des éléments de la batterie. Ne pas mettre les batteries en charge si le liquide ne recouvre pas les plaques. Ne pas trop remplir les batteries. En cas de remplissage excessif les batteries risquent de déborder, pendant la charge, du fait de l'expansion du liquide. Remettre les bouchons en place avant de mettre la batterie en charge.
5. Branchez le chargeur dans une prise reliée à la terre avant de brancher le chargeur sur la machine.
6. Branchez le chargeur sur la prise brise située à gauche à l'avant du compartiment batterie.
7. Sortez la béquille du réservoir et laissez le réservoir venir doucement en appui sur celle-ci.
8. Le chargeur commence automatiquement à charger les batteries et s'arrête automatiquement lorsqu'elles sont chargées.
9. Une fois la charge terminée, commencez par débrancher le chargeur de la prise murale puis débranchez-le de la machine.
10. Vérifiez le niveau du liquide batterie une fois la charge terminée. Si le niveau est bas, ajoutez de l'eau distillée de façon à ce que le niveau du liquide se situe au-dessus de la partie inférieure de tubes de contrôle. Remettez les bouchons en place et essuyez les batteries avec un chiffon.



MAINTENANCE PRÉVENTIVE

⚠ AVERTISSEMENT !

Avant d'intervenir sur la machine, assurez-vous qu'elle est bien éteinte ou que les batteries sont débranchées.

Les réparations ne doivent être effectuées que par un centre d'entretien Clarke agréé. Toute réparation confiée à un technicien non agréé annulera la garantie.

ENTRETIEN QUOTIDIEN

1. Retirez le porte-disque ou la brosse et nettoyez la machine avec un nettoyant adapté et approuvé.
2. Vidanger les réservoirs de récupération et de solution et les rincer à l'eau claire. Examinez visuellement le réservoir de récupération pour voir s'il ne reste pas de débris et le nettoyer si nécessaire.
3. Relevez la raclette et essuyez-la avec un chiffon humide. Veillez à bien ranger la raclette en position relevée.
4. Démontez le dispositif de fermeture à flotteur et rincez-le à l'eau propre.



5. Nettoyez la machine avec un nettoyant adapté et un chiffon humide.
6. Rechargez les batteries.

ENTRETIEN HEBDOMADAIRE

1. Vérifiez le niveau de liquide dans les batteries.
2. Vérifiez sur les batteries que les câbles ne sont pas desserrés ou corrodés.
3. Nettoyez le dessus des batteries afin d'enlever les signes de corrosion.

ENTRETIEN MENSUEL

1. Vérifiez sur la machine qu'il n'y a pas de fuite ou de fixations desserrées.
2. Lubrifiez tous les points de graissage et articulations avec de la graisse silicone en spray, agréée.
3. Placez la machine sur un siphon de sol. Rincez le circuit de solution en versant environ 11 litres d'eau chaude et d'un détergent alcalin adapté dans le réservoir de solution et faites tourner la machine (l'interrupteur de commande de solution étant en position de marche) pendant 45 secondes. Eteignez la machine et laissez-la en l'état jusqu'au lendemain. Le lendemain, vidangez le reste de solution et rincez le réservoir à l'eau propre.

ENTRETIEN DU MOTEUR D'ASPIRATION

1. Contactez votre distributeur local Clarke pour toute intervention du maintien du moteur.
2. Vérifiez les balais du moteur d'aspiration toutes les 250 heures. Les balais doivent être remplacés lorsqu'ils sont usés c'est-à-dire lorsqu'ils font 10 mm de longueur (ou moins).

MAINTENANCE DES BATTERIES

CONSEIL : Pour garantir de meilleures performances, assurez-vous que les batteries sont chargées en permanence. Ne pas les laisser dans la machine si elles sont déchargées.

⚠ AVERTISSEMENT !

Les batteries sont des éléments dangereux ! Elles émettent de l'hydrogène et peuvent de ce fait présenter un risque d'explosion ou d'incendie. Les tenir éloignées de toute étincelle ou flamme nue.

En cas d'intervention sur les batteries, veillez à porter des gants de protection. Évitez tout contact avec l'acide des batteries.

1. Suivez les instructions concernant la mise en charge de la batterie, indiquées au chapitre MISE EN CHARGE DE LA BATTERIE de ce manuel.
2. Veillez à ce que le dessus de la batteries et les bornes ne présentent aucun signe de corrosion. Une solution concentrée de bicarbonate de soude et d'eau est la meilleure façon d'éviter la corrosion sur les batteries. VEILLES A CE QUE LA SOLUTION DE BICARBONATE DE SOUDE ET D'EAU NE PÉNÈTRE PAS A L'INTÉRIEUR DES ÉLÉMENTS DE LA BATTERIE ;
3. Utilisez une brosse en fer avec la solution de bicarbonate de soude pour bien nettoyer les bornes et les connexions des batteries.
4. Vérifiez les connexions des batteries afin de vous assurer qu'elles ne sont pas usées et que les cosses ne sont pas desserrées. Remplacez les éléments défectueux ou usés si nécessaire.

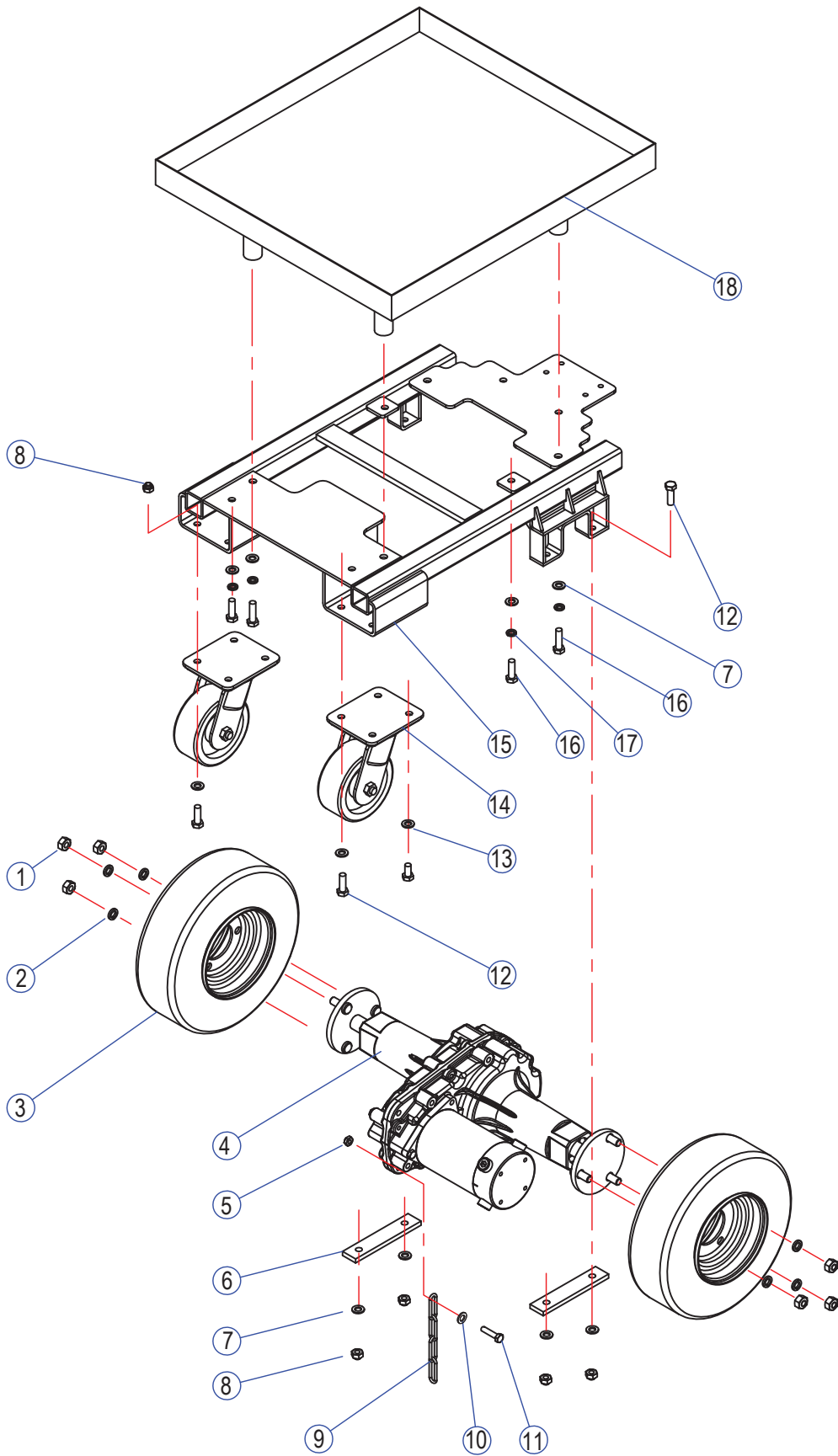
RANGEMENT DE LA MACHINE

1. Entrez la machine à l'intérieur.
2. Rangez-la toujours dans un endroit sec.
3. Enlevez les porte-disques et les brosses avant de ranger la machine.
4. Rangez toujours la machine après vous être assuré que la raclette est en position relevée.
5. En cas de stockage dans un endroit qui risque d'être exposé au gel, assurez-vous de bien vidanger tous les liquides de la machine avant de la ranger. Tout dommage dû au gel n'est pas couvert par la garantie. Enlevez le couvercle du filtre de solution VF82168-2 de façon à vidanger tous les tuyaux.
6. Vidangez le réservoir de récupération et enlevez le couvercle transparent situé sur le dessus du réservoir de façon à ce que celui-ci puisse « respirer » pendant l'entreposage de la machine.
7. Vidangez le réservoir de solution.

DÉPANNAGE DE BASE

PROBLÈME	CAUSE	SOLUTION
Aucune alimentation électrique	Les batteries sont défectueuses	Remplacez les batteries
	Interrupteur à clé non positionné sur "ON"	Mettez l'interrupteur sur "ON"
	Le disjoncteur principal s'est déclenché	Contactez le distributeur Clarke
	Les batteries ont besoin d'être chargées.	Chargez les batteries (voir le chapitre Mise en charge des batteries)
	Le câble de la batterie est desserré	Resserrez le ou les câble(s) desserré(s)
Le moteur de la brosse ne fonctionne pas	Les batteries ne sont pas branchées correctement	Se reporter aux instructions d'installation des batteries
	L'interrupteur de la brosse est défectueux	Contactez le distributeur Clarke
	Le disjoncteur de la brosse s'est déclenché	Vérifier le moteur de la brosse pour voir s'il n'y a pas d'obstructions qui l'empêchent de tourner et réenclencher le disjoncteur.
	Défaut de câblage	Contactez le distributeur Clarke
	Moteur de la brosse défectueux	Contactez le distributeur Clarke
	Les balais au carbone sont usés	Contactez le distributeur Clarke
	L'électrovalve est défectueuse	Contactez le distributeur Clarke
Le moteur d'aspiration ne fonctionne pas	L'interrupteur d'aspiration est défectueux	Contactez le distributeur Clarke
	Défaut de câblage	Contactez le distributeur Clarke
	Le moteur d'aspiration est défectueux	Contactez le distributeur Clarke
	Les balais au carbone sont usés	Contactez le distributeur Clarke
Temps de fonctionnement trop court	Les batteries ont besoin d'être chargées.	Chargez les batteries (voir le chapitre Mise en charge des batteries)
	Les batteries ont besoin d'être vérifiées	Voir le chapitre Maintenance des batteries dans ce manuel
	Cellule défectueuse d'une ou de plusieurs batteries	Remplacez les batteries
	Chargeur défectueux	Remplacez le chargeur
La solution ne s'écoule pas ou de façon insuffisante	Interrupteur de solution défectueux	Contactez le distributeur Clarke
	L'électrovalve de solution est bouchée	Contactez le distributeur Clarke
	Le filtre de solution est bouché	Démontez le filtre et nettoyez-le
	Le tuyau de solution est bouché	Remplacez le tuyau et nettoyez-le
	Le bouton de réglage du débit de solution a besoin d'être réglé	Augmentez le débit en tournant le bouton de réglage vers la droite. Réduisez le débit en tournant le bouton de réglage vers la gauche.
Mauvaise récupération de l'eau	Raclette bouchée	Enlevez les saletés qui bouchent la raclette et nettoyez celle-ci avec un chiffon humide
	Les lames de la raclette sont usées	Changez les lames de la raclette
	La raclette n'est pas bien mise en place	Vérifiez que la raclette est bien fixée à la machine et qu'aucun raccord ou fixation n'est desserré.
	Les tuyaux d'aspiration sont percés ou sont desserrés	Vérifiez le raccordement des tuyaux et assurez-vous qu'ils sont bien fixés Remplacez le tuyau s'il est abîmé.
	Le tuyau d'aspiration est peut être bouché	Vérifiez que le tuyau n'est pas bouché par des saletés.
	Le bouchon de vidange est desserré	Resserrez le bouchon de vidange
	Les batteries ont besoin d'être chargées.	Chargez les batteries (voir le chapitre Mise en charge des batteries)
	Le moteur d'aspiration est desserré	Resserrez les vis de fixation du moteur d'aspiration Ne pas trop les serrer pour ne pas endommager l'ensemble.
	Le couvercle du réservoir de récupération est desserré	Vérifiez que le couvercle transparent du réservoir de récupération est bien en place
	L'orifice d'admission du réservoir de récupération est bouché	Vidangez le réservoir de récupération et inclinez le réservoir sur le côté. Vérifiez que l'orifice d'arrivée n'est pas obstrué par des saletés et si c'est le cas enlevez-les.
	Réservoir de récupération plein	Vidangez le réservoir de récupération
	Le système de fermeture à flotteur est bouché	Démontez le système par l'intérieur du réservoir de récupération et enlevez les saletés éventuellement déposées.

MAIN FRAME AND DRIVE ASSEMBLY



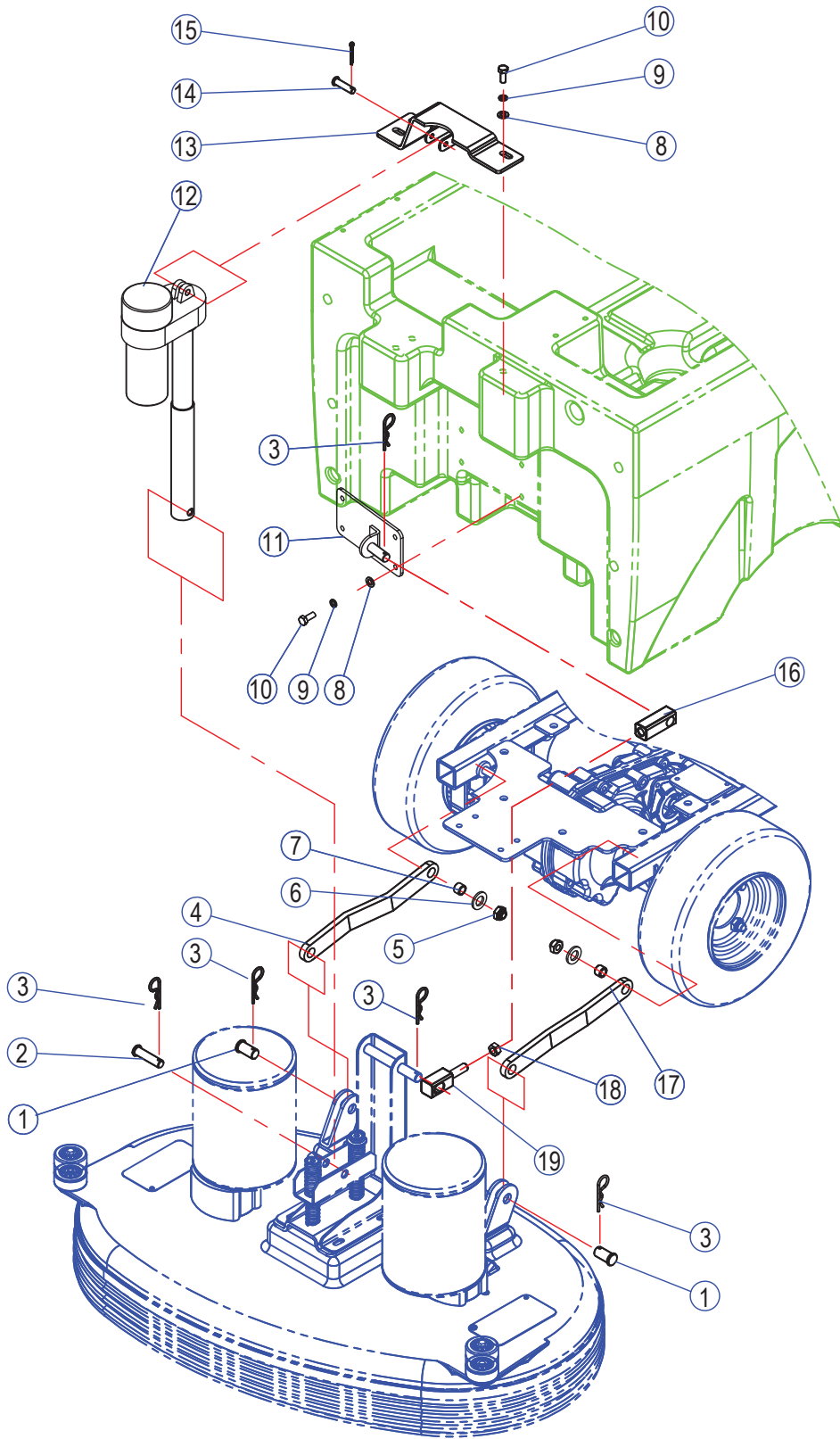
MAIN FRAME AND DRIVE ASSEMBLY

Item	Ref. No.	Qty	Description
1	VF13501A	6	Nut, M12
2	VF13541	6	Washer, Lock, M12
3	VF84118	2	Solid Tire, Black
4	VF84800	1	Transaxle, 32"
[]	ZD13000	1	Transaxle Motor, 36vdc
5	VF13503	1	Nut, Lock, M8
6	VF84112	2	Plate, Transaxle
7	VF13517	14	Washer, Plain, M10 X M26 X 2
8	VF13504	12	Nut, Lock, M10
9	VF84122	1	Chain, Static
10	VF13535	1	Washer, Plain, M8 X M20 X 2
11	VF14235	1	Screw, M8 X 35
12	VF14123	12	Screw, M10 X 25
13	VF13517	8	Washer, Plain, M10 X M20 X 2.5
14	VF84117-1	2	Caster, 5"
15	VF84103	1	Frame
16	VF13634	10	Screw, M10 X 30
17	VF13518	10	Washer, Lock, M10
18	VF84125	1	Battery Tray

* = Optional, Not Included

[] = Not Shown

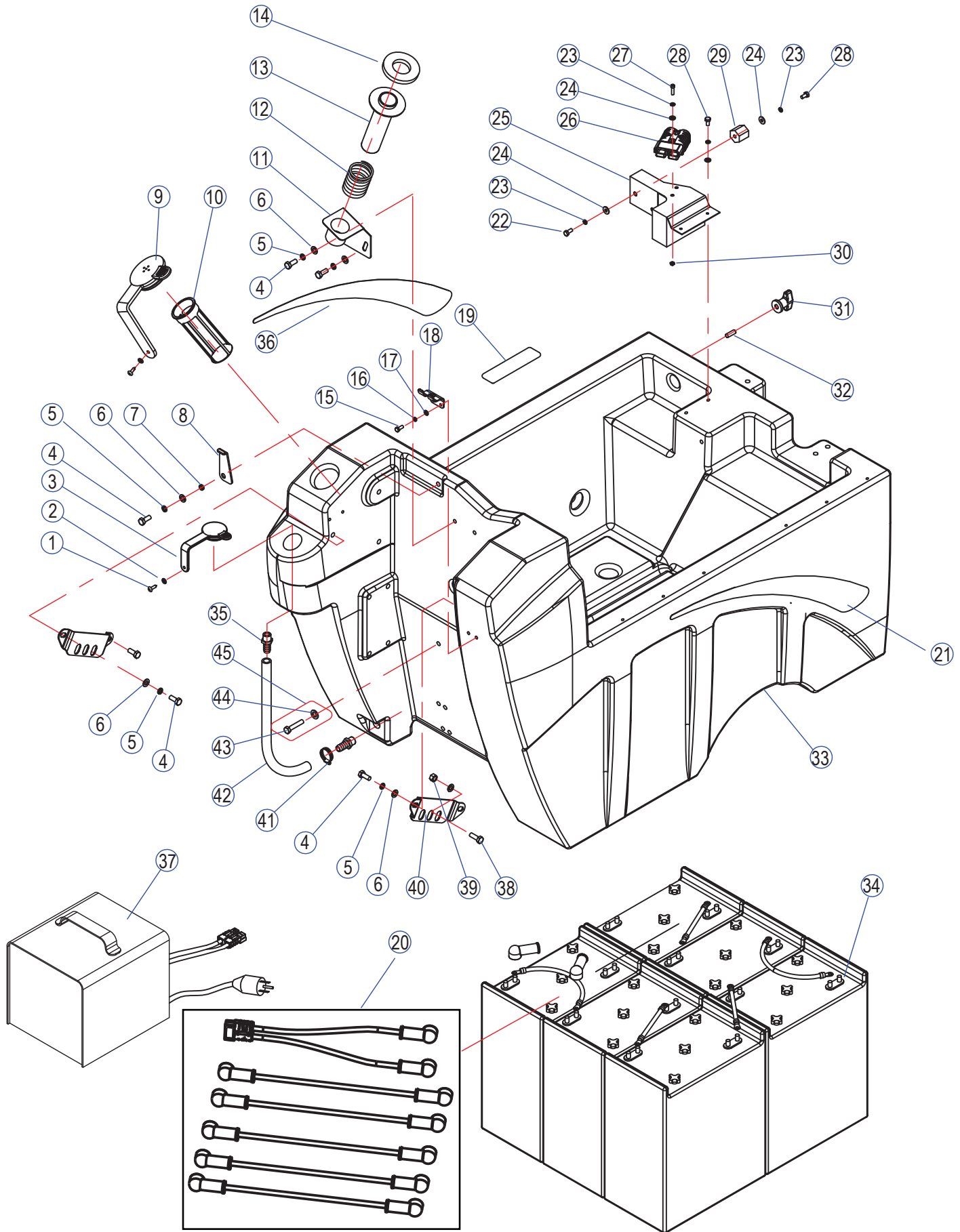
SCRUB HEAD LIFT ASSEMBLY



SCRUB HEAD LIFT ASSEMBLY

Item	Ref. No.	Qty	Description
1	VF84316	2	Pin, M16 X 30
2	VF84317	1	Pin, M13 X 51
3	VF84309	5	Pin, Cotter, M3 X 60.5
4	VF84105	1	Arm, Lift, Left
5	VF13501	2	Nut, Lock, M12
6	VF13538	2	Washer, Plain, M12 X M22 X 2
7	VF84116	2	Bushing
8	VF13535	7	Washer, Plain, M8 X M20 X 2
9	VF13519	7	Washer, Lock, M8
10	VV13604	7	Screw, M8 X 20
11	VF84336	1	Bracket, Brush Lift
12	VF84332	1	Actuator, 36vdc
13	VF84310	1	Bracket, Actuator
14	VF84322	1	Pin, M9.5 X 37
15	VF14084	1	Pin, Cotter, M3.2 X 24
16	VF84337	1	Adjust Nut
17	VF84121	1	Arm, Lift, Right
18	VF14057A	1	Nut, M12
19	VF84338	1	Adjust Screw

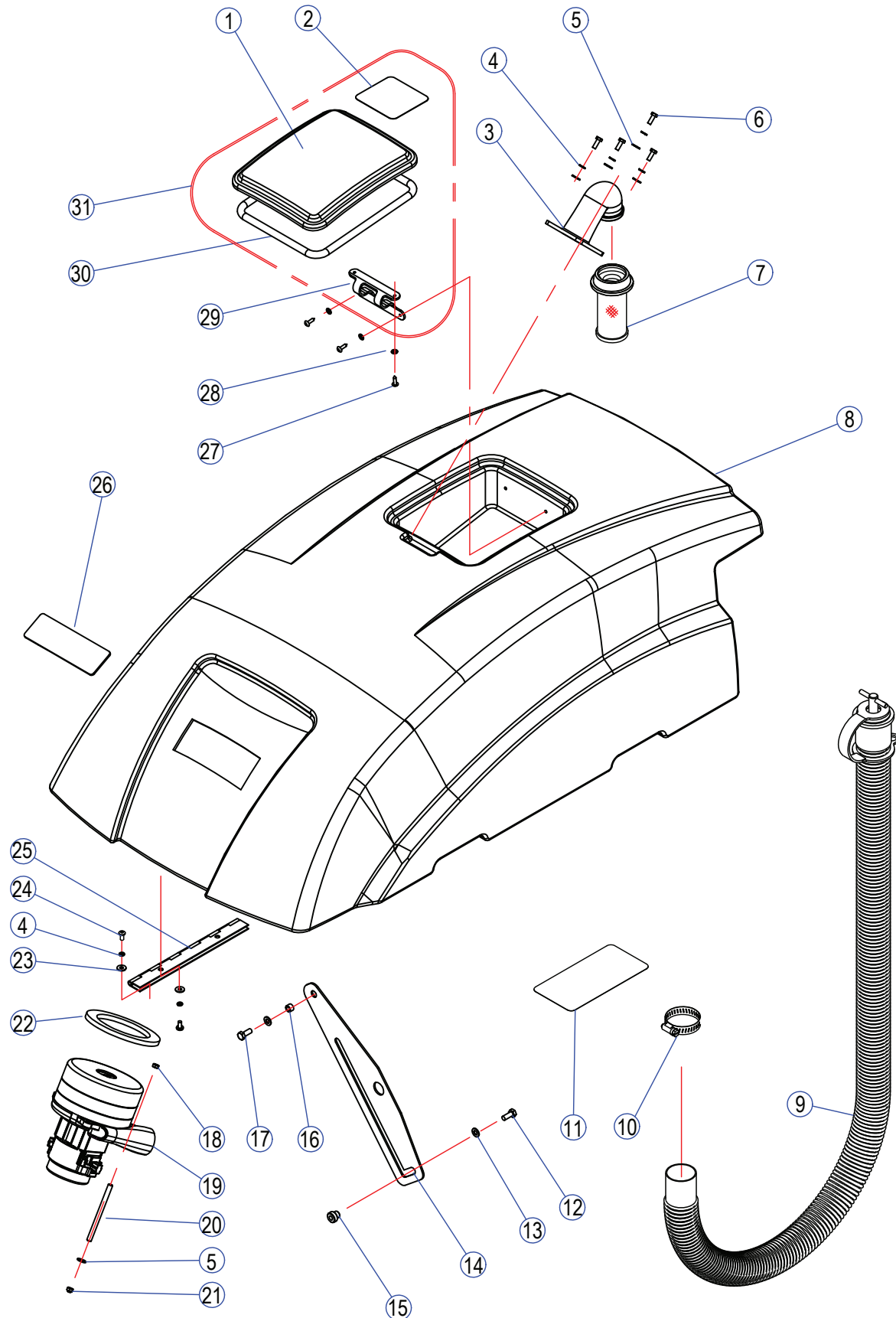
SOLUTION TANK ASSEMBLY



SOLUTION TANK ASSEMBLY

Item	Ref. No.	Qty	Description
1	VA13477	4	Screw, Self-Tapping, St, M4 X 16
2	VV13664	2	Washer, Plain, M4 X M12 X 1
3	VF82154	1	Expansion Plug
4	VV13604	8	Screw, M8 X 20
5	VF13519	8	Washer, Lock, M8
6	VF13535	8	Washer, Plain, M8 X M20 X 2
7	VF81406	1	Bushing
8	VF81404	1	Support, Recovery Tank
9	VF46454	1	Filter, Intake Tank
10	VF84340	1	Plug,Expansion
11	VF82029A	1	Bracket, Vac Tube
12	VF82032	1	Spring
13	VF82030	1	Adapter, Tube
14	VF82031A	1	Gasket, Tube Adapter
15	VF14230	2	Screw, M5 X 16
16	VV13601	2	Washer, Lock, M5
17	VF13532	2	Washer, Plain, M5 X M11 X 2
18	VF84140	1	Bracket, Drain Hose
19	VF82123	1	Decal
20	VF84470	1	Kit, Connect Wire
21	VF82398	1	Label, Right
22	VF14232	1	Screw, M6 X 10
23	VV13607	8	Washer, Lock, M6
24	GT13032	8	Washer, Plain, M6 X M16 X 1.5
25	VF84109	1	Bracket
26	VF81306-1G	1	Connector, Grey, 175A
27	VF13633	2	Screw, M6 X 35
28	VF13495	4	Screw, M6 X 16
29	VF81715	2	Standoff
30	VF13502	2	Nut, Lock, M6
31	VA85003	4	Knob, M8
32	VF84111	4	Screw, M8 X 35
33	VF84361	1	Solution Tank
34	VF84127	6	Battery, 6v, 305amp Hour
35	VF84137	2	Hose Barb, G 1/2
36	VF82399	1	Label, Left
37	VF84128	1	Charger, 36v, 30amp
38	VF14234	2	Screw, M8 X 16
39	VF13513	2	Nut, M8
40	VF81408	2	Plate, Lock
41	VF82090	1	Clamp (16-25)
42	VF84138	1	Tubing
43	VF14248	1	Screw, M8 X 100, Optional
44	VA13516	1	Washer, Plain, M10 X M30 X 1.5, Optional
45	VF84224	1	Pu Blades & Fasten Kit, Optional

RECOVERY TANK ASSEMBLY



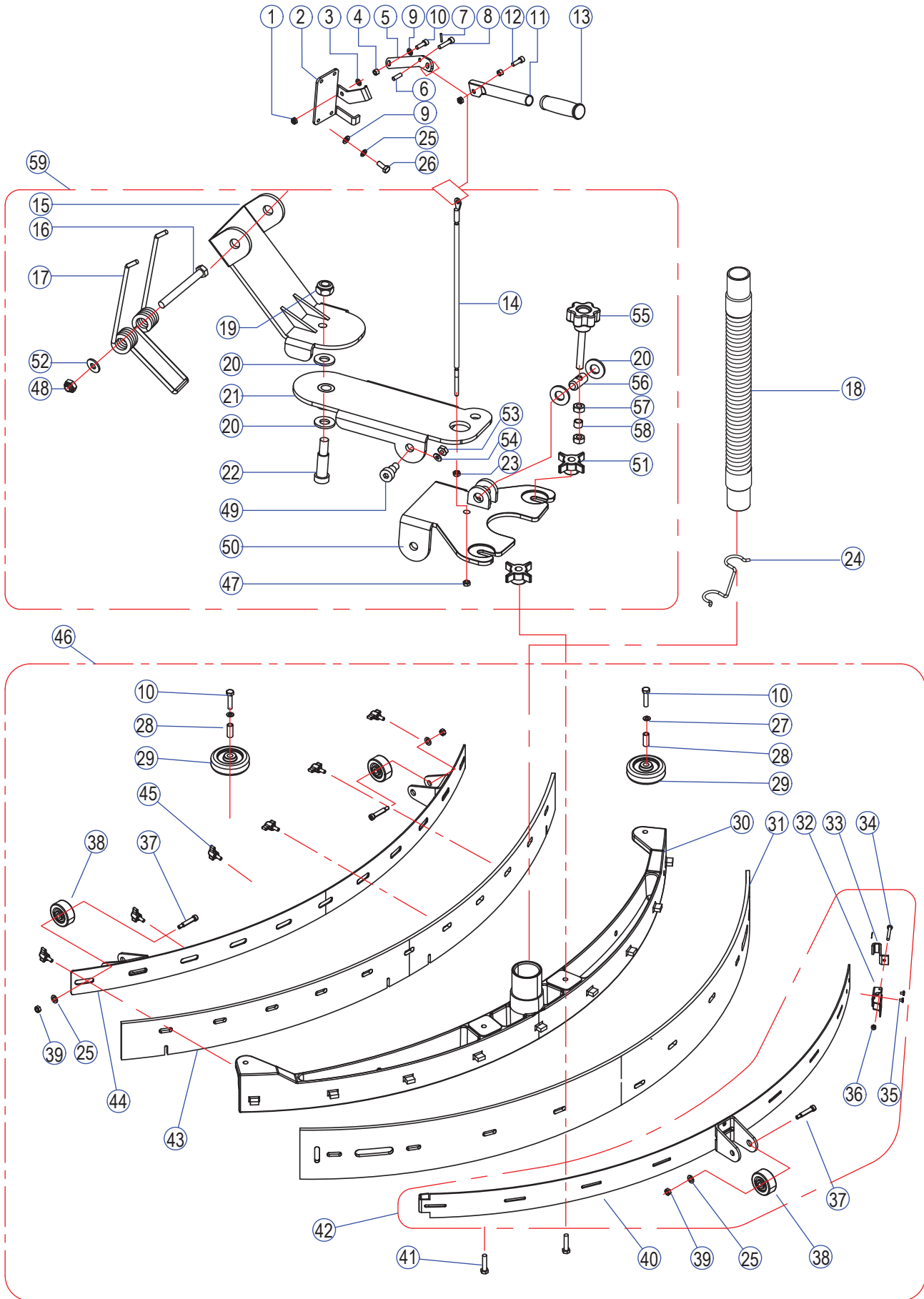
RECOVERY TANK ASSEMBLY

Item	Ref. No.	Qty	Description
1	VF82010	1	Clear Cover, Recovery Tank
2	VF82083	1	Decal, Battery Warning
3	VF82009	1	Elbow Adaptor, Float
4	VV13607	14	Washer, Lock, M6
5	VF13533	7	Washer, Plain, M6 X M16 X 2
6	VF14233	4	Screw, M6 X 20
7	VF81504	1	Float
8	VF84362	1	Recovery Tank (32")
9	VF81512	1	Drain Hose Assembly
10	VV10113	2	Clamp, 2"
11	VF84124	1	Decal, Battery Installation
12	VF14235	1	Screw, M8 X 35
13	VF13535	2	Washer, Plain, M8 X M20 X 2
14	VF84107	1	Bracket, Drop Arm
15	VF84133	1	Bushing
16	VF84216	1	Bushing
17	VA13491	1	Screw, M8 X 25
18	VF13521	3	Nut, M6
19	ZD60000	1	Motor, Vacuum, 3 Stage, 36vdc
20	VF81508	3	Stud (24")
21	VF13502	3	Nut, Lock, M6
22	VF81503	1	Seat
23	GT13032	10	Washer, Plain, M6 X M16 X 1.5
24	VF14200	10	Screw, M6 X 16
25	VF84113	2	Hinge, Recovery Tank
26	VF84367	1	Logo (32")
27	VA13477	4	Screw, Self-Tapping, St, M4 X 16
28	VV13664	4	Washer, Plain, M4 X M12 X 1
29	VF82010A	1	Rubber Hinge
30	VF82010B	1	Gasket
31	VF82010-X	1	Kit, Lid

SCRUB HEAD ASSEMBLY

Item	Ref. No.	Qty	Description	Item	Ref. No.	Qty	Description
1	VF84315	1	Bracket, Spring	32	GT13022	1	Nut, Lock, M5
2	VF13615	4	Washer, Plain, M13 X M30 X 2	33	VF13503	8	Nut, Lock, M8
3	VF84312	2	Sleeve	34	VF13537	8	Washer, Plain, M10 X M26 X 2
4	VF84313	2	Spring	35	VV13620	8	Washer, Lock, 3/8"
5	ZD11000	2	Brush, Motor, 36vdc, 1hp	36	VF14242	10	Screw, 3/8"-1"
	ZD45407	2	Key, 6.35 X 25	37	VF13545	8	Screw, Self-Tapping, St, M5 X 10
6	VF84311	2	Bolt, Shoulder, 1/4" X 4.25" X 3/8"	38	VV13601	8	Washer, Lock, M5
7	VF84335	1	Bracket, Brush Lift	39	VF83134	2	Stop, Drive Release
8	VF84314	2	Spring	40	VF83130	2	Plate, Drive
9	VF84304	1	Bracket, Spring Mount	41	VF83130A	1	Plate, Drive, Assy
10	VF14235	4	Screw, M8 X 35	42	VF82058	2	Washer
11	VF14251	4	Screw, M8 X 30	43	VV20298	2	Washer, Lock, 5/16"
12	VF84305A	1	Bracket, Lift, Right	44	VF14241	2	Screw, 5/16" - 1"
13	VF82090	2	Clamp, (16-25)	45	VF84329	2	Pad Drive, 15 Inch
14	VF84333	1	Tubing, 17.5mm ID, 145mm	46	VA13484	6	Screw, Self-Tapping, St, M4 X 12
15	VF84141	1	Hose Barb, Tee	47	VF99003A	2	Big Mouth
16	VF84334	1	Tubing, 11.5mm ID, 135mm	48	MF-VF002-4A	6	Screw, Self-Tapping, 1/4" - 1"
17	VF84345	1	Tubing, 11.5mm ID, 125mm	49	VF83118	2	Spacer
18	VF84346	1	Tubing, 11.5mm ID, 275mm	50	VF83132	2	Spring
19	VF84303	1	Bracket, Lift, Left	51	VF83131	2	Clamp, Brush Plate
20	VV20509	4	Screw, M5 X 10	52	VF13502	6	Nut, Lock, M6
21	VF84325	2	Door, Scrub Head	53	VF83133	6	Stud
22	VF82042	2	Elbow	54	VF14225A	6	Screw, M6 X 40
23	VF82148	6	CLAMP, 16mm	55	VF84134	7	Push Screw
24	VF82138	1	TUBING, 11.5mm ID, 75mm	56	VF82013	6	Wheel, 3"
25	VF84146	2	Hose Barb	57	VF82055	6	Bushing
26	VF84302	1	Cover, Scrub Head	58	VF13514A	6	Washer, Plain, M8 X M16.5 X 1
27	VF84323	1	Skirt, Scrub Head	59	VF14248	2	Screw, M8 X 100
28	VF14310	1	Screw, M5 X 70	60	VF84363	1	Cover, Front
29	VF84324	1	Clamp, Skirt	61	VF84326	2	Nut, Lock, 3/8"
30	VF84330	2	Brush, 15 Inch				
31	VF13542	9	Washer, Plain, M8 X M20 X 2				

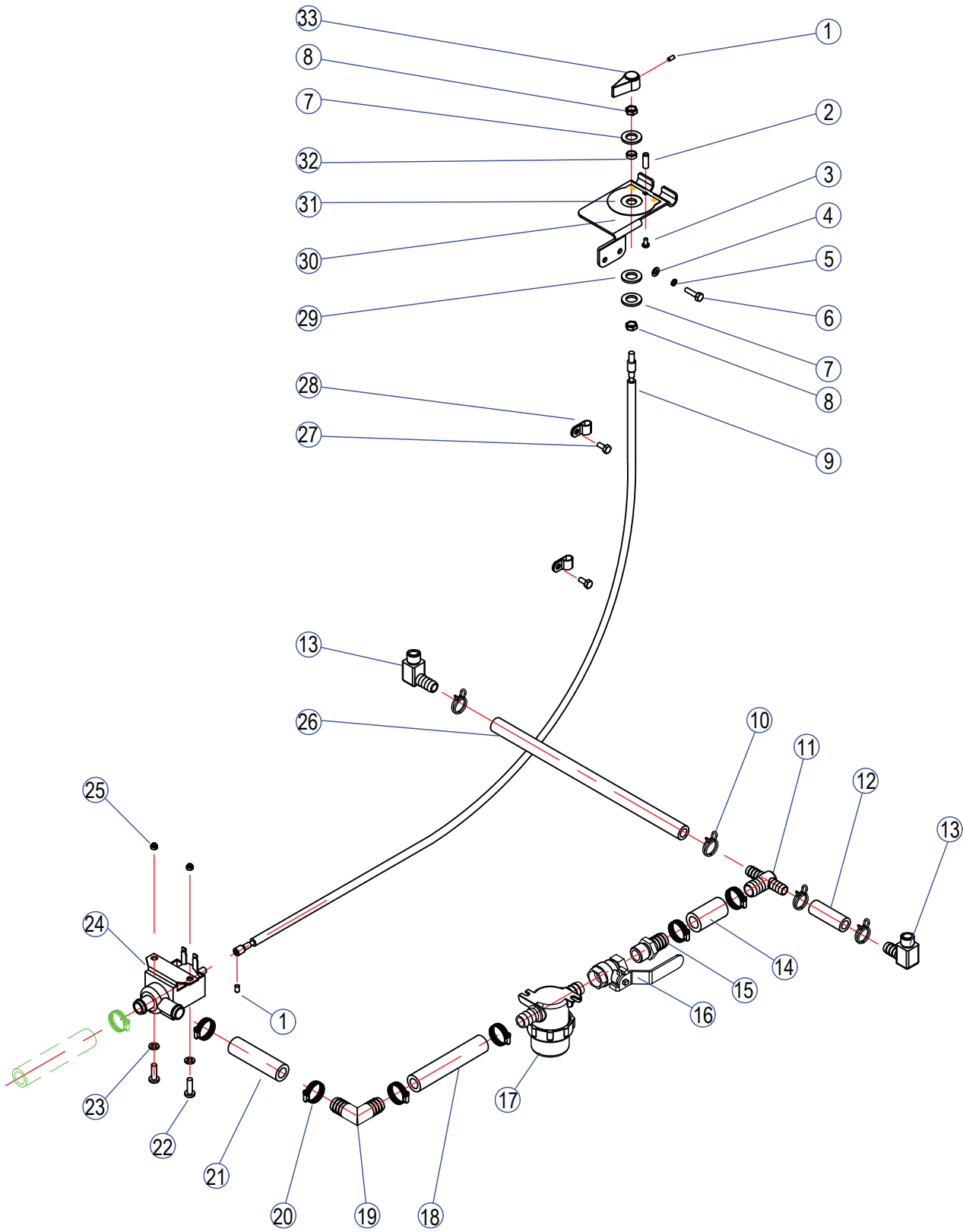
SQUEEGEE AND SQUEEGEE LIFT ASSEMBLY



SQUEEGEE AND SQUEEGEE LIFT ASSEMBLY

Item	Ref. No.	Qty	Description	Item	Ref. No.	Qty	Description
1	VF13503	2	Nut,Lock,M8	31	VF84208	1	Blade,Squeegee,Rear,Neoprene (Fang 32t)
2	VF84220	1	Bracket,Squeegee Lift	32	VF81218	1	Latch,Hood
3	VF13514	1	Washer,Plain, M8 X M16.5 X 1.5	33	VF81209	1	Hook,Rear Squeegee Backup Adjustment
4	VF48222	2	Bushing	34	VF14310	1	Screw, M5 X 70
5	VF84218	1	Arm,Squeegee Lift	35	VF81208	2	Rivet, M4 X 5
6	VF82159	1	Bushing	36	GT13022	1	Nut,Lock, M5
7	VF14096	1	Pin, M2 X 20	37	VF81222	3	Bolt,Shoulder, 5/16" X 1.25"
8	VF82158	1	Shaft	38	VF81219	3	Wheel, 2"
9	VF13535	5	Washer,Plain, M8 X M20 X 2	39	VV20203	3	Nut,Lock, 5/16"
10	VF14235	1	Screw,M8x35	40	VF84206	1	Backup Strip,Squeegee,Rear (Fang 32t)
11	VF84217	1	Handle, Lift	41	VF14236	2	Screw,M8 X 40
12	VA13491	1	Screw,M8x25	42	VF84206A	1	Kit,Backup Strip,Squeegee
13	VF48310	1	Grip,Handle	43	VF84207	1	Blade,Squeegee,Front,Pu (Fang 32t)
14	VF84219 -1	1	Cable,Squeegee,Lift (32")	44	VF84205	1	Backup Strip,Squeegee,Front (Fang 32t)
15	VF84226	1	Front Squeegee Support	45	VF82121	6	Knob, M6
16	VF13637	1	Screw, M12 X 130	46	VF84200	1	Squeegee Assembly (Fang 32t)
17	VF84229	1	Lock Spring	47	VF13502	1	Nut,Lock, M6
18	VF81203A	1	Hose	48	VF13501	1	Nut,Lock, M12
19	VF14547	1	Nut,Lock,M10	49	VF84228	2	Serew,Shoulder M8
20	VF85336	4	WASHER,Nylon	50	VF84227	1	Squeegee Support
21	VF84225	1	Back Squeegee Support	51	VF81210	2	Knob,M8
22	VF14527	1	Serew,Shoulder M10	52	VF13538	1	Washer,Plain, M12 X M26 X 2
23	VF13521	1	Nut, M6	53	VF14516	2	Nut,Lock,M8
24	VF83150	1	Holder,"U" Hose	54	VF13542	2	Washer,Plain, M8
25	VF13519	3	Washer,Lock,M8	55	VF85104	1	Handwheel M8x55
26	VV13604	3	Screw,M8 X 20	56	VF85103	1	Squeegee Support Pin
27	VF13514A	2	Washer,Plain, M8 X M16.5 X 1	57	VF14503	2	Nut Hex Low M8
28	VF82055	2	Bushing	58	VF85106	1	Spacer 8x10x7
29	VF82013	2	Wheel, 3"	59	VF84230	1	Kit,Squeegee Bracket Assembly
30	VF84202	1	Housing,Squeegee (Fang 32t)				

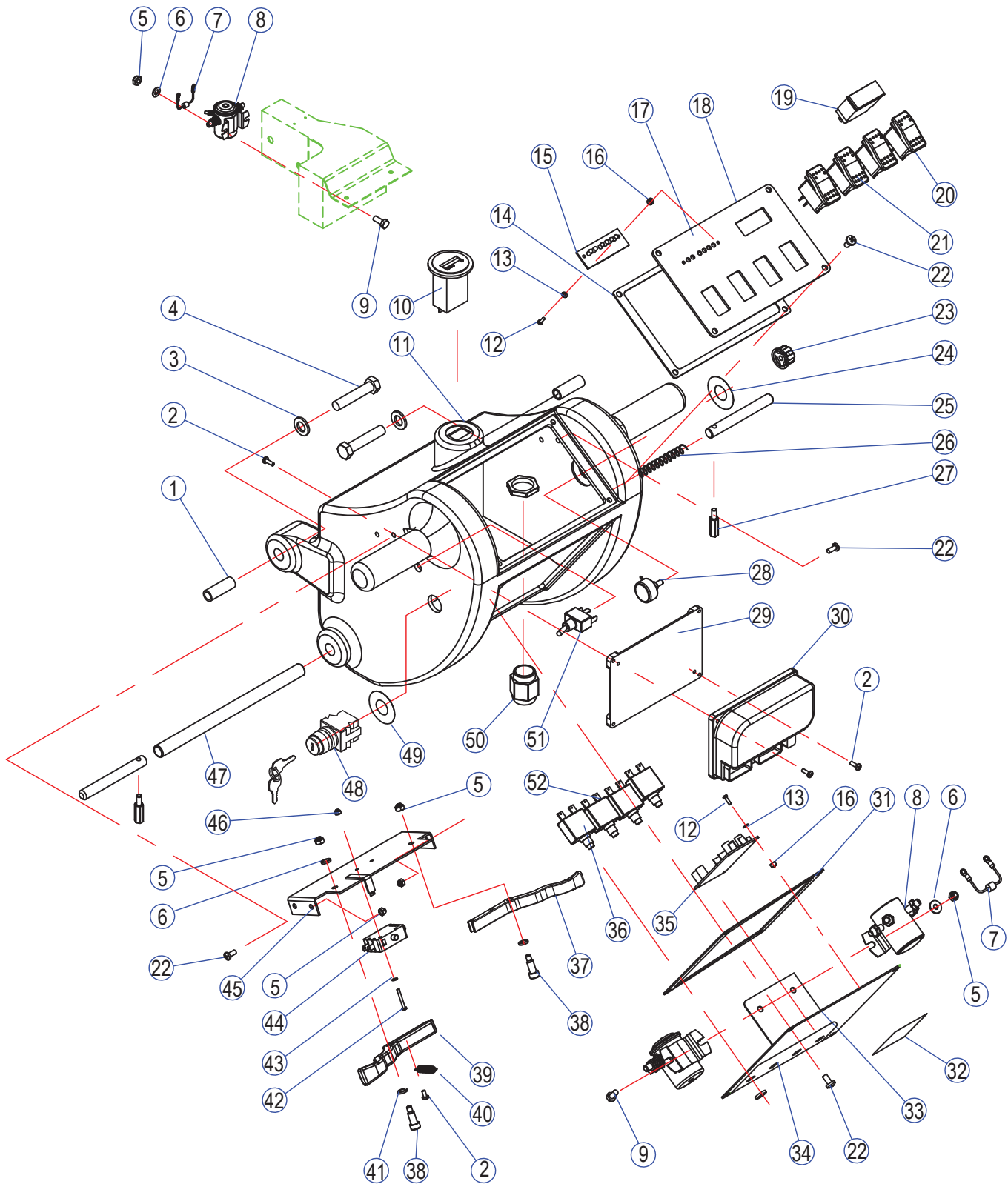
SOLUTION CONTROL ASSEMBLY



SOLUTION CONTROL ASSEMBLY

Item	Ref. No.	Qty	Description
1	VF14245	2	Screw, M5 X 6
2	VF82036	1	Shaft
3	VV13650	1	Screw, M4 X 10
4	VF13532	2	Washer, Plain, M5
5	VV13601	2	Washer, Lock, M5
6	VF14230	2	Screw, M5 X 15
7	VF13536	2	Washer, Plain, M9.8 X M16 X 1
8	VF82075	2	Nut, 3/8"
9	VF84123	1	Cable, Solenoid
10	VF82148	4	CLAMP, 16mm
11	VF84141	1	Hose Barb, Tee
12	VF84333	1	Tubing, 11.5mm ID, 125mm
13	VF81403A	2	Elbow, Solution Tank
14	VF84341	1	Tubing, 17.5mm ID, 50mm
15	VF84142	1	Connector, Npt 1/2"
16	VF84144	1	Ball Valve, 15mm DN, NPT 1/2"
17	VF82168A	1	Filter, Assy
18	VF84347	1	Tubing, 17.5mm ID, 185mm
19	VF84143	1	Elbow
20	VF82090	6	Clamp
21	VF84342	1	Tubing, 17.5mm ID, 150mm
22	VF13495	2	Screw, M6 X 16
23	VF13533	2	Washer, Plain, M6 X M16 X 2
24	VF84120A	1	Solution Valve Solenoid, 36vdc
25	VF13502	2	Nut, Lock, M6
26	VF84348	1	Tubing, 17.5mm ID, 350mm
27	VV20509	2	Screw, M5 X 10
28	VF81118	2	Clamp
29	VF13540	1	Washer, Wave, M12
30	VF82037	1	Bracket, Drain Hose & Valve
31	VF82069	1	Label, Valve
32	VF82074	1	Bushing
33	VF82038	1	Knob, Valve Adjust

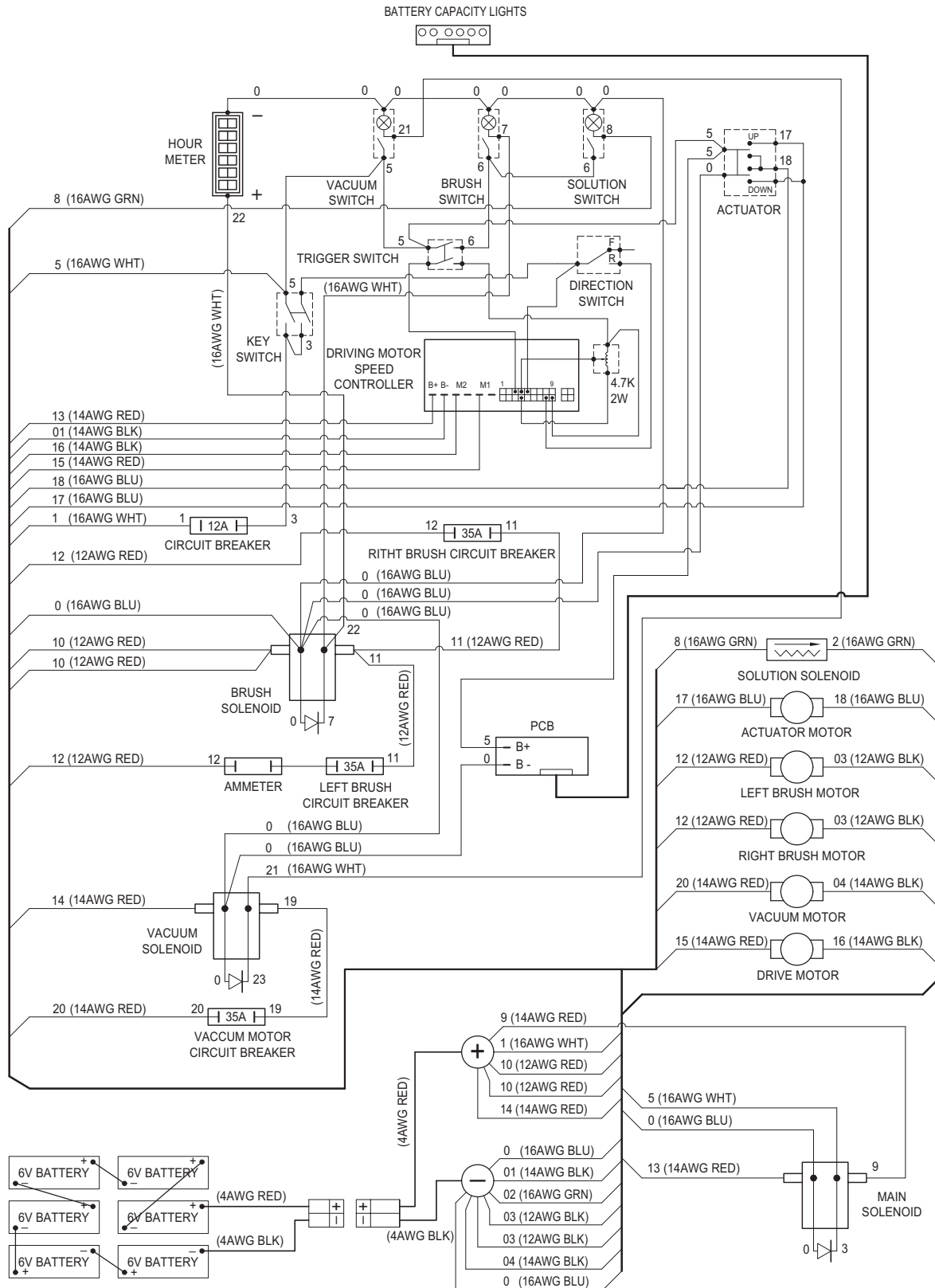
CONTROL HOUSING



CONTROL HOUSING

Item	Ref. No.	Qty	Description
1	VF84703	2	Bushing
2	VF13491	7	Screw, M4 X 12
3	VF14122	2	Washer, Plain, M10 X M20 X 2
4	VF14121	2	Screw, M10 X 65
5	VF13502	10	Nut, Lock, M6
6	GT13032	6	Washer, Plain, M6
7	VF81781	3	Diode, 400v
8	VF84716A	3	Solenoid, 36v
9	VF13495	12	Screw, M6 X 16
10	VF84145	1	Timer
11	VF84364	1	Housing, Control
12	VF14078	6	Screw, M3 X 10
13	VA50477	6	Washer, Plain, M3 X M10 X 1
14	VF84711	1	Gasket
15	VF84717	1	Lights,Battery Capacity
16	VF81719	6	Spacer
17	VF84702	1	Label, Switch (Fang 32t)
18	VF84704	1	Panel, Switch (32")
19	VF81727	1	Gauge, Brush Pressure
20	VF81725	1	Switch, Brush Lift
21	VF84722	3	Switch, Lighted Rocker
22	VF14200	12	Screw, M6 X 16
23	VF81730	1	Knob, Speed Control
24	VF82305	1	Label, Speed Control
25	VF84710	2	Pin, Handle Lock
26	VF81716	1	Spring
27	VF81710	2	Pin, Handle Adjustment
28	VF81732	1	Potentiometer, 4.7k
29	VF84718	1	Plate
30	VF84719	1	Board, Speed Control
31	VF84712	1	Label, Circuit Breaker
32	VF84713	1	Serial Tag
33	VF84705	1	Panel, Control Housing
34	VF84715	1	Label, Circuit Breaker
35	VF84723	1	Control Board, Battery Capacity
36	VF99012	1	Breaker, Circuit, 12 Amp
37	VF84708	1	Handle, Right
38	VF81711	2	Bolt, Shoulder, M8 X 15 X M6
39	VF84707	1	Handle, Left
40	VF81712	1	Spring
41	VF13514A	2	Washer, Plain, M8 X M16.5 X 1
42	VF14212	2	Screw, M3 X 25
43	VF13511	2	Washer, Tooth, M3
44	VF44203	1	Switch Assembly
45	VF84706	1	Bracket, Switch (32")
46	VV13652	2	Nut, Lock, M3
47	VF84709	1	Tube, Handle, Adjustment
48	VF82153	1	Key Switch
49	VF82160	1	Label, Key Switch
50	VF84721	1	Cord Strain Relief
51	VF81722	1	Switch, Toggle
52	VF81734	3	Breaker, Circuit, 35 Amp

WIRING DIAGRAM



Clarke[®]

14600 21st Avenue North
Plymouth, MN 55447-3408

www.clarkeus.com

Phone: 800-253-0367

Fax: 800-825-2753

©2015 Nilfisk-Advance, Inc.

A Nilfisk-Advance Brand