



Electronic Service Manuals

This electronic document is provided as a service to our customers. We do not create the contents of the information contained in this document. Should you have detailed questions pertaining to the information contained in this document, you may contact Michco, or the manufacturer which provided the original information in this electronic deliverable. Michco's only part in this electronic deliverable was the electronic assembly process. By providing this manual on line we are not guaranteeing parts availability.

You may contact Michco through the following methods:

Phone (517) 484-9312 or (800) 331-3339

2011 N. High St. -- Lansing, Michigan -- 48906

Fax: (517) 484-9836

Email: CustServe@Michco.com

Web site: www.Michco.Com

Parts Web site: www.FloorMachineParts.Com

Order Parts on Line at:

www.FloorMachineParts.Com

Directly to Parts & Service:

By Email: **Shop@Michco.com**

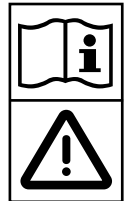
By Fax: (517) 702-2041

By Voice: Use numbers above.

Serving the Cleaning Industry Since 1922

Notice: All copyrighted material remains property of original owners, all trademarks are property of respective owners. Manuals are subject to Manufacturer's reproduction limitations. Originals or reproductions were provided by manufacturers through a request. We make no warranty as to the correctness of information provided in this document and you assume all risk. By placing these manuals on line we are not declaring our corporation to be an manufacturer authorized dealer or provider, please check our web site for authorized manufacturers we represent.

American-Lincoln®



**Operator's
Manual &
Parts List**



**SC7730
Sweeper/Scrubber**

Beginning with Serial No. 692198

READ THIS BOOK

This book has important information for the use and safe operation of this machine. Failure to read this book prior to operating or attempting any service or maintenance procedure to your machine could result in injury to you or to other personnel. Damage to the machine or to other property could occur as well. You must have training in the operation of this machine before using it. If you or your operator (s) cannot read English, have this manual explained fully before attempting to operate this machine.

All directions given in this book are as seen from the operator's position at the rear of the machine.

C

CONTROLS 20-32

D

DECIMAL - METRIC CONVERSION TABLE 5

DISCLAIMER 4

H

HARDWARE ABBREVIATIONS 6

HYDRAULIC TORQUE REQUIREMENTS 8

M

MACHINE PREPARATION 17, 18, 19

MAINTENANCE 44-58

O

OPERATING INSTRUCTIONS 33-43

ORDERING PARTS 10

S

SAFETY PRECAUTIONS 11, 12

SPECIFICATIONS 14, 15, 16

STANDARD HARDWARE & TORQUE VALUES 7

SYMBOLS 9

T

TROUBLESHOOTING 59, 60

DISCLAIMER

DISCLAIMER

The information contained in this manual is believed correct at the time of publication. American Lincoln assumes no responsibility or liability for unauthorized changes made to this manual or pages removed, causing indirect or consequential damages resulting from the use of the information appearing herein.

WARNING!

In the event that machinery or controls described herein are modified in any way, or in the event that such machinery or controls are not maintained in a proper manner, the instructional material contained herein may be rendered inaccurate. The information contained herein is to be used only by persons knowledgeable in the operation of machinery such as that described herein, or other persons being directly supervised by such knowledgeable persons.

No portion of this manual may be reproduced without the express written consent of:

AMERICAN LINCOLN
Product Engineering
1100 Haskins Road
Bowling Green, OH, 43402
(419) 352-7511 Fax: (419) 373-4284
Copyright 2003 American Lincoln. All rights reserved.
Printed in USA March 2003

DECIMAL - METRIC CONVERSION TABLE

FRACTION	DECIMAL	MILLIMETER	FRACTION	DECIMAL	MILLIMETER
$\frac{1}{64}$	0.015625	0.3969	$\frac{33}{64}$	0.515625	13.0969
$\frac{1}{32}$	0.03125	0.7938	$\frac{17}{32}$	0.53125	13.4938
$\frac{3}{64}$	0.046875	1.1906	$\frac{35}{64}$	0.546875	13.8906
$\frac{1}{16}$	0.0625	1.5875	$\frac{9}{16}$	0.5625	14.2875
$\frac{5}{64}$	0.078125	1.9844	$\frac{37}{64}$	0.578125	14.6844
$\frac{3}{32}$	0.09375	2.3813	$\frac{19}{32}$	0.59375	15.0813
$\frac{7}{64}$	0.109375	2.7781	$\frac{39}{64}$	0.609375	15.4781
$\frac{1}{8}$	0.125	3.1750	$\frac{5}{8}$	0.625	15.8750
$\frac{9}{64}$	0.140625	3.5719	$\frac{41}{64}$	0.640625	16.2719
$\frac{5}{32}$	0.15625	3.9688	$\frac{21}{32}$	0.65625	16.6688
$\frac{11}{64}$	0.171875	4.3656	$\frac{43}{64}$	0.671875	17.0656
$\frac{3}{16}$	0.1875	4.7625	$\frac{11}{16}$	0.6875	17.4625
$\frac{13}{64}$	0.203125	5.1594	$\frac{45}{64}$	0.703125	17.8594
$\frac{7}{32}$	0.21875	5.5563	$\frac{23}{32}$	0.71875	18.2563
$\frac{15}{64}$	0.234375	5.9531	$\frac{47}{64}$	0.734375	18.6531
$\frac{1}{4}$	0.25	6.3500	$\frac{3}{4}$	0.75	19.0500
$\frac{17}{64}$	0.265625	6.7469	$\frac{49}{64}$	0.765625	19.4469
$\frac{9}{32}$	0.28125	7.1438	$\frac{25}{32}$	0.78125	19.8438
$\frac{19}{64}$	0.296875	7.5406	$\frac{51}{64}$	0.796875	20.2406
$\frac{5}{16}$	0.3125	7.9375	$\frac{13}{16}$	0.8125	20.6375
$\frac{21}{64}$	0.328125	8.3344	$\frac{53}{64}$	0.828125	21.0344
$\frac{11}{32}$	0.34375	8.7313	$\frac{27}{32}$	0.84375	21.4313
$\frac{23}{64}$	0.359375	9.1281	$\frac{55}{64}$	0.859375	21.8281
$\frac{3}{8}$	0.375	9.5250	$\frac{7}{8}$	0.875	22.2250
$\frac{25}{64}$	0.390625	9.9219	$\frac{57}{64}$	0.890625	22.6219
$\frac{13}{32}$	0.40625	10.3188	$\frac{29}{32}$	0.90625	23.0188
$\frac{27}{64}$	0.421875	10.7156	$\frac{59}{64}$	0.921875	23.4156
$\frac{7}{16}$	0.4375	11.1125	$\frac{15}{16}$	0.9375	23.8125
$\frac{29}{64}$	0.453125	11.5094	$\frac{61}{64}$	0.953125	24.2094
$\frac{15}{32}$	0.46875	11.9063	$\frac{31}{32}$	0.96875	24.6063
$\frac{31}{64}$	0.484375	12.3031	$\frac{63}{64}$	0.984375	25.0031
$\frac{1}{2}$	0.5	12.7000	1	1.0000	25.4000

C-2001/9907

HARDWARE ABBREVIATIONS

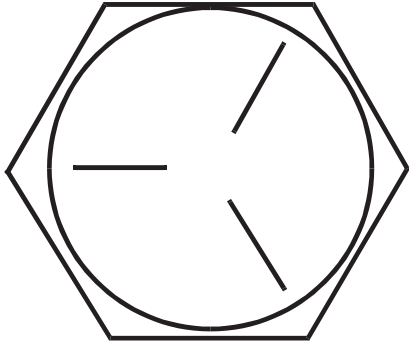
ABBREVIATIONS-SCREWS

ADJ	= Adjusting Screw
ADJ.SP	= Adjusting Plunger Screw
BHM	= Binding Head Machine Screw
BHS	= Button Head Socket Screw
CAPT.SL	= Captivated Slotted Screw
CAPT.WG	= Captivated Wing Screw
FHM	= Flat Head Machine Screw
FIL.HM	= Filister Head Machine Screw
HHC	= Hexagon Head Cap Screw
HHM	= Hexagon Head Machine Screw
HHHD	= ½ High Head Screw
HSHC	= Hexagon Socket Head Cap Screw
HSFHC	= Hexagon Socket Flat Head Cap Screw
KNH	= Knurled Head Screw
MHHC	= Metric Hexagon Head Cap Screw
PHM	= Pan Head Machine Screw
RHD	= Round Head Drive Screw
RHM	= Round Head Machine Screw
RHW	= Round Head Wood Screw
SHC	= Shiny Crown Cap Screw
SHTB	= Shoulder Thumb Screw
SQ	= Square Head Screw
TB	= Thumb Screw
THM	= Truss Head Machine Screw
WELD	= Weld Stud
WG	= Wing Screw

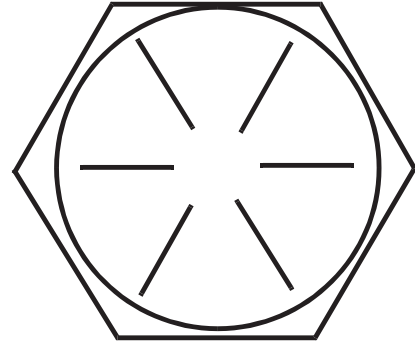
ABBREVIATIONS-SETSCREWS

HS	= Hexagon Socket Setscrew
S	= Slotted Setscrew
SH	= Square Head Setscrew
KCP	= Knurled Cup Point Setscrew
CP	= Cup Point Setscrew
OP	= Oval Point Setscrew
FDP	= Full Dog Point Setscrew
HDP	= Half Dog Point Setscrew
FP	= Flat Point Setscrew
COP	= Cone Point Setscrew

BOLT IDENTIFICATION



SAE - Grade 5



SAE - Grade 8

Screw Size	Grade 5 Plated		Grade 8 Plated		410H Stainless		Brass	Type F & T & BT		Type B, AB
	C	F	C	F	C	F		C	F	
*6	14	15	-	-	18	20	5	20	23	21
*8	27	28	-	-	33	35	9	37	41	34
*10	39	43	-	-	47	54	13	49	64	49
*1/4	86	108	130	151	114	132	32	120	156	120
5/16	15	17	22	24	19	22	6	-	-	-
3/8	28	31	40	44	34	39	10	-	-	-
7/16	44	49	63	70	55	62	16	-	-	-
1/2	68	76	95	108	85	95	-	-	-	-
9/16	98	110	138	155	-	-	-	-	-	-
5/8	135	153	191	216	-	-	-	-	-	-
3/4	239	267	338	378	-	-	-	-	-	-
7/8	387	-	545	-	-	-	-	-	-	-
1	579	-	818	-	-	-	-	-	-	-

C = Coarse Thread

F = Fine Thread

* = Torque values for #6 through 1/4 are lb./in. All others are lb./ft.

NOTE

Decrease the torque by 20% when using thread lubricant
The torque tolerance is \pm on torque values.

+

C2000/9905

HYDRAULIC TORQUE REQUIREMENTS

HYDRAULIC TORQUE REQUIREMENTS

Refer to the following chart for torque values on all hydraulic hoses & fittings


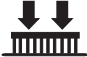


































Nominal SAE Dash Size	O-Ring Face Seal End		SAE O-Ring Boss End	
	Thread Size Inch	Swivel Nut Torque	Thread Size Inch	Str. Fitting or Locknut Torque
		LB-FT		LB-FT
-3	*	*	3/8-24	8-10
-4	9/16-18	10-12	7-16-20	14-16
-5	*	*	1/2-20	18-20
-6	11/16-16	18-20	9/16-18	24-25
-8	13/16-16	32-35	3/4-16	50-60
-10	1-14	46-50	7/8-14	72-80
-12	1 3/16-12	65-70	1 1/16-12	125-135
-14	1 3/16-12	65-70	1 3/16-12	160-180
-16	1 7/16-12	92-100	1 5/16-12	200-220
-20	1 11/16-12	125-140	1 5/8-12	210-280
-24	2-12	150-165	1 7/8-12	270-360

-Ring face-seal-type end not defined for this tube size

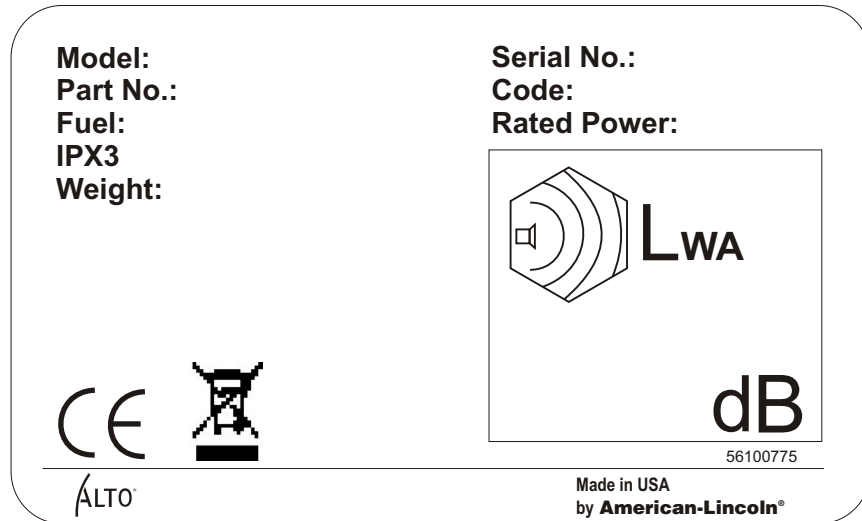
NOTE

Parts must be lightly oiled with hydraulic fluid

THESE SYMBOLS IDENTIFY CONTROLS, DISPLAYS/FEATURES, AND SAFETY SYMBOLS ON THE MACHINE.

	Battery Charger		Scrub Brush Down Heavy Pressure
	Choke		Squeegee Down & Vacuum On
	Fan On		Squeegee Up & Vacuum Off
	Filter Shaker On		Squeegee Up & Vacuum On
	Forward/Reverse		Solution Tank Low
	Headlights		Solution Flow Control
	Hopper Dump		Throttle
	Hopper Return		Read Machine Manual Before Operating or Servicing
	Horn		No gas or combustibles in tank
	Main Broom & Side Broom Up		Keep Away From Flames/ NO Smoking
	Main Broom & Side Broom Down		Wear Eye Protection
	No Step		Electrical Hazard
	Off		Stay Clear
	On		Moving Fan Blade
	Power		Pinch Point/Crush Hazard
	Recovery Tank High		Cover or Hopper Could Close/ Engage Support
	Scrub Brush Down & On		Turn Key Off/Lock Wheel Before Leaving Seat
	Scrub Brush Up and Off		WARNING! / ATTENTION!

Parts may be ordered from American-Lincoln authorized distributors. Record the information from the American-Lincoln serial plate to avoid delays in filling your order:



1. Use the model number, catalog number, and serial number when ordering.
2. Give the part number, description, and quantity of parts needed.
3. Give shipping instructions for either freight, UPS, or parcel post.

Parts and supplies listed in this manual can be ordered from the following address:

<p>Nilfisk-Advance, Inc. American-Lincoln Div.</p>	<p>American-Lincoln authorized distributor</p>
<p>14600 21st Avenue North Plymouth, MN 55447 1-800-214-7700</p>	

MACHINE CATALOG NUMBER

- 505-320 SC7730 (40") SWEEPER/SCRUBBER
- 505-321 SC7730 (46") SWEEPER/SCRUBBER
- 505-322 SC7730 (40") SWEEPER/SCRUBBER W/ DUST CONTROL
- 505-323 SC7730 (46") SWEEPER/SCRUBBER W/ DUST CONTROL

SAFETY PRECAUTIONS

HAZARD SERIOUSNESS LEVEL

Signal words (DANGER, WARNING and CAUTION) are used to identify levels of hazard seriousness. The degree of severity is based on the likely consequences of human interaction with the hazard.

 **DANGER**

To warn of immediate hazards which will result in severe personal injury or death.

 **WARNING**

To warn of hazard or unsafe practices which could result in severe personal injury.

 **CAUTION**

To warn of hazards or unsafe practices which could result in minor personal injury.

 **ATTENTION**

To warn of unsafe practices which could result in extensive equipment damage.

 **NOTE**

To give important information or to warn of unsafe practices which could result in equipment damage.

For the safe operation of this machine, read and understand all WARNINGS, CAUTIONS AND NOTES.

PERSONAL SAFETY

- Read this manual carefully. The following information signals potentially dangerous conditions to the operator or equipment. Know when these conditions can exist then take necessary steps to train machine operating personnel.
- Dress appropriately; loose clothing, jewelry and other accessories may get caught in the machine and cause physical injury.
- Wear OSHA/NIOSH protective eye wear or prescription glasses to protect eyes.
- Wear appropriate gloves when filling and/or draining tanks.
- Before operating machine, test brake mechanism, lights and back up alarm (if applicable).
- Observe maintenance schedule guidelines to assume optimal safe operation of the machine.
- Be aware of pinch points that exist on the machine.
- Do not operate machine if you are tired, upset, ill on medication or intoxicated.
- Be completely aware of your surroundings. STOP, LOOK, and LISTEN for other employees walking in or around your cleaning area.

MACHINE SAFETY

- Operator must be properly trained to operate machine.
- Read this manual before operating machine
- Familiarize yourself with all components and safety features.
- Do not operate machine unless it is completely assembled.
- Do not use machine other than intended use.
- Report damages or maintenance problem immediately. Do not use machine until it has been repaired.
- Repairs should be done by authorized personnel.
- For storage, keep machine in a building.
- This machine is not at tow truck and should not be used for towing.
- Do not use this machine as a step or furniture.
- Do not operate machine on public highways, gravel, sand, grass and other unsafe surfaces.

SAFETY PRECAUTIONS

- Be careful when operating the machine on a ramp or incline. Do not operate machine on incline greater than 8° or longer than 100'. Always move slowly on a ramp. Do not turn this machine on a ramp.
- Do not stop and leave this machine on a ramp. Always stop the machine on a level surface, put the power switch in the on position.
- To prevent injury, and damage to the machine, do not lift the machine or move it to an edge of a stair or loading dock.
- Turn off machine when unattended, filling, fueling or doing maintenance on machine (if applicable).
- Do not operate machine near flammable materials, fire or explosion may occur.
- Solution or recovery tank should not be filled with fuel or chemicals.
- Read label on cleaning solutions to verify it is safe for machine.
- Use a cleaning concentrate recommended by the chemical manufacturer.
- Water solutions or cleaning materials used can leave wet areas on floor surfaces causing dangerous conditions for the operator or other persons. Always put CAUTION signs near area you are cleaning.
- Use care when reversing machine.
- Always empty the solution tank and recovery tank before doing maintenance.
- Unplug the battery first to prevent possible injury when servicing a machine.
- Lead acid batteries generate gases, which can cause an explosion. Keep sparks and flames away from batteries. NO SMOKING. Charge batteries only in area with good ventilation.
- Always wear eye protection and protective clothing when working near batteries. Remove all jewelry.
- Do not put tools or other metal objects across the battery terminals, or the tops of batteries.
- Keep electrical parts of the machine dry.
- Make sure that all labels, decals, warnings, cautions and instructions are fastened to the machine.
- Get new labels and decals from American-Lincoln.

SPECIFICATIONS

CLEANING PATH

Scrubbing	40 in. (101 cm) 46 in. (117 cm)
Sweeping	46 in. (117 cm)
Edge Cleaning	6 in. (15 cm) Right Side 46 in. (117 cm) only

TRANSPORT SPEED OPERATING SPEED

0-4.6 MPH (0 - 7.4kph)
0-2.7 MPH (0 - 4.3kph)

POWER SUPPLY

(1) 36 Volt Wet Battery, 720 AH
For machine to operate properly, voltage reading should fall within 32-40 vdc.

CHARGER

240 Vac, 3-phase, 60 Hz, 36 Vdc, 150 A

STEERING

Rack & Pinion 90°-90° Hyd. Assist
Adjustable Steering Column

TURNING RADIUS

Left	59 in. (150 cm)
Right	59 in. (150 cm)
Aisle "U" Turn	87 in. (221 cm)

DIMENSIONS

Length	87 in. (221 cm)
Width	46 in. (116.8 cm)
Height	52 in. (132 cm)
Height w/Overhead Guard	79 in. (200.6 cm)
Wheel Base	37.6 in. (95.5 cm)

WEIGHT

Standard Machine (Battery)	1700 lbs. (765 kg.) without battery 720 Ah battery 1990 lbs. (896 kg)
----------------------------	--

TIRES

Front (Battery) Solid Urethane	Two (2) 16 in (41cm) x 3.75 in (8.26 cm)
Rear (Battery) Solid Rubber	One (1) 16 in (41 cm) x 4.00 in (10.16cm)

RAMP CLIMBING

Transporting	8°
--------------	----

MAIN BROOM

One piece plastic core disposable type. Broom position can be set to "restricted down" or "free floating".

Length	36 in (91.4 cm)
Diameter	10 inches (25.4 cm)
Optional Bristle Type	Nylon (High density) Proex Nylon Eight (8) Row

SIDE BROOM

Side Broom Size	16 inches (40.6 cm) Diameter
-----------------	------------------------------

INSTRUMENTS AND CONTROLS

Main/Side Broom Switch	Key Switch
Headlight/Taillight Switch (option)	Hour Meter
Squeegee Switch	Recovery High Light
3 Position Scrub Deck Switch	Dust Control Switch (with certain models)
Horn Button	Solution Low Light
Solution Control Knob	ESP (Option)
Hopper Up/Down Switch	Filter Shaker Switch
Hopper Open Light	Squeegee and Vacuum Wand (Option)

SCRUBBING SYSTEM

Brush Size-46" (116.84 cm)	Three (3) 16" (40.6cm) Diameter
Brush Size-40" (101.4 cm)	Two (2) 20" (51cm) Diameter
Brush Lift	Hydraulic Actuator
Scrub Pressure	
Normal	140 lbs.
Heavy	200 lbs.

SQUEEGEE

Rear	Accu-Trac™ 46 in(116.8 cm) Swing, break away, w/no tool squeegee replacement
Side	26 in (66 cm) Easy Change

TANKS

Solution Tank	55 Gallons (208 liter)Polyethylene
Recovery Tank	55 Gallons (208liter)Polyethylene
Solution Metering	Variable to 3.0 GPM (11.4 lpm)
Drain Hose	48 in (122 cm)
Clean Out Port	5.7 in (14.5 cm) heavy debris

HOPPER

Capacity	2.5 cu.ft.(71liter)
----------	---------------------

DUMP AND LIFT

Dump Height	14 in (35.6 cm.)
-------------	------------------

SYSTEM FLUID CAPACITIES

Hydraulic System	4.7 Gallons (17.79 Liters)
------------------	----------------------------

OPTIONAL EQUIPMENT

Back-Up Alarm	Headlight/Taillights
ESP System	Fire Extinguisher
Overhead Guard	Squeegee Wand
Spray and Vac Wand	Black Nylon Brush
Linatex Squeegee	Polypropylene Brush
720 Amp Hour Battery	Supergrit Brush
Strobe Light (Amber)	Clean Grit Brush
Strobe Light (Amber) W/ OH Guard	Arm Rest (RH only)
Polyethelyne Panel Filter	Seat Belt
Smart Cart (Battery Roll Out Cart)	

SPECIFICATIONS

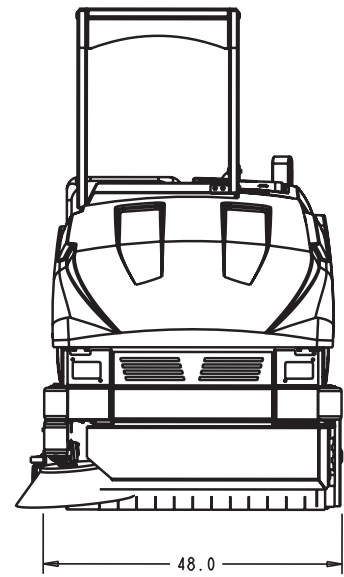
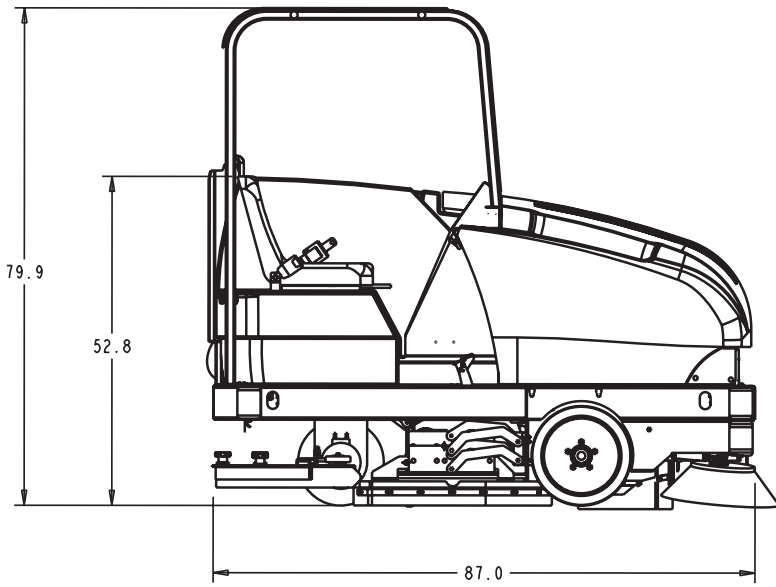




Fig 1

Your SC7730 battery machine has been shipped complete, but do not attempt to operate without reading the following instructions:

UNPACKING AND ASSEMBLING MACHINE

The SC7730 is shipped on a pallet and held in place with wooden block to stop the machine from moving.

- 1) Remove wooden blocks holding machine in place.
- 2) Position a 11° and 48" ramp on base of pallet.

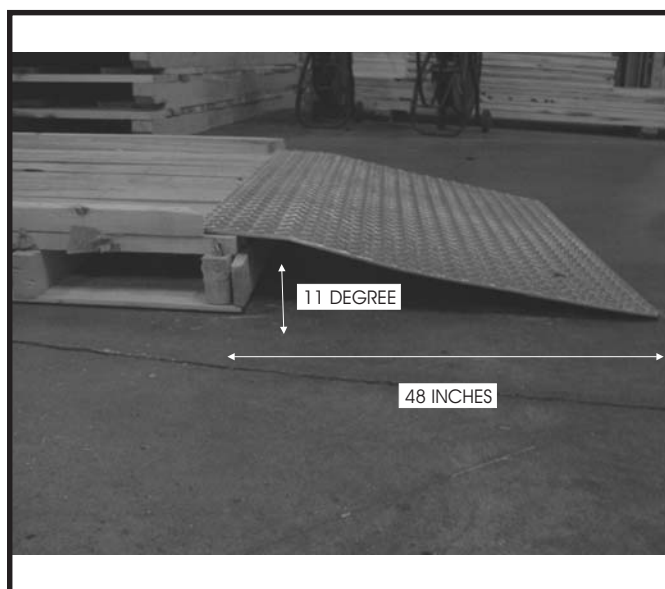


Fig 2

MACHINE PREPARATION

- 3) Push machine down the ramp onto a flat surface.
- 4) Install battery.
 - Turn the key to the "O" position
 - Lift the hood up and pull the battery lever up to the right.
 - Use a battery lifting device with a 2000 LB. (907KG) capacity to place the battery into the battery tray.
 - Push battery lever down to the left to lock the battery into place.
 - Plug the battery power connector into the machine power connector.
 - Lower the hood into place.
- 5) Charge battery as shown in the manual. Read battery manufacturer literature for battery care and maintenance.



WARNING

Do not charge batteries on a concrete grounded surface. Hydrogen gas is formed during the charging operation and is explosive. Only charge batteries in a well ventilated area with the lid open. Avoid any smoking, open flame, or electrical sparks.



Fig 3

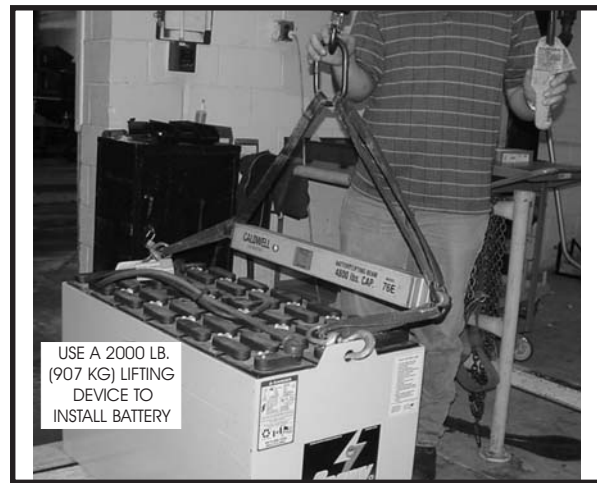


Fig 4

UNPACKING BATTERY

The battery is shipped separately on a pallet wrapped in plastic as shown in figure 3. Remove the plastic and use a 2000 LB. (907KG) capacity lifting device to lower the battery into the battery compartment as shown in figure 4.

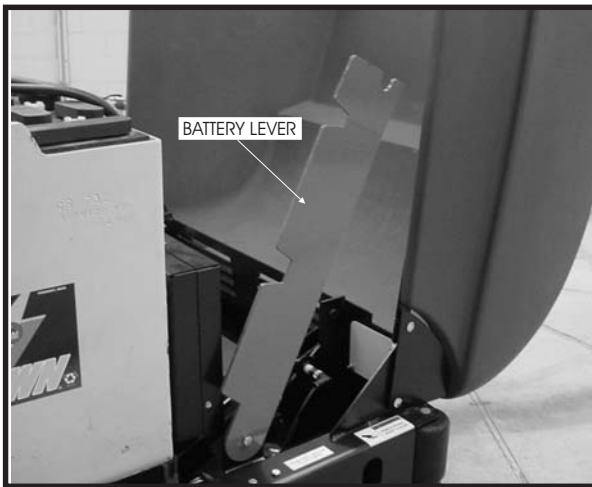


Fig 5



Fig 6



Fig 7

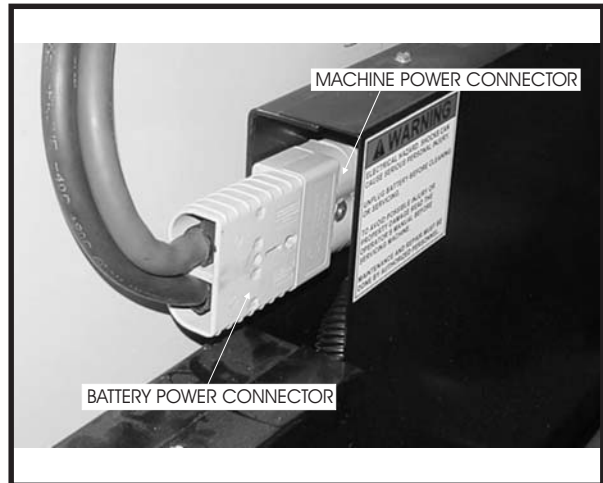


Fig 8

BATTERY INSTALLATION

1. Lift the machine front cover.
2. Rotate the battery lever to the right.
3. Lower the battery into place using a 2000 LB. (907 KG) capacity lifting device.
4. Rotate the battery lever to the left to lock the battery into place.
5. Connect battery wires according to manufacturer's direction.
6. Connect the battery power connector to the machine power connector.
7. Lower the machine front cover into place.



WARNING

Do not leave charged batteries on concrete surface, they will discharge.

CONTROLS

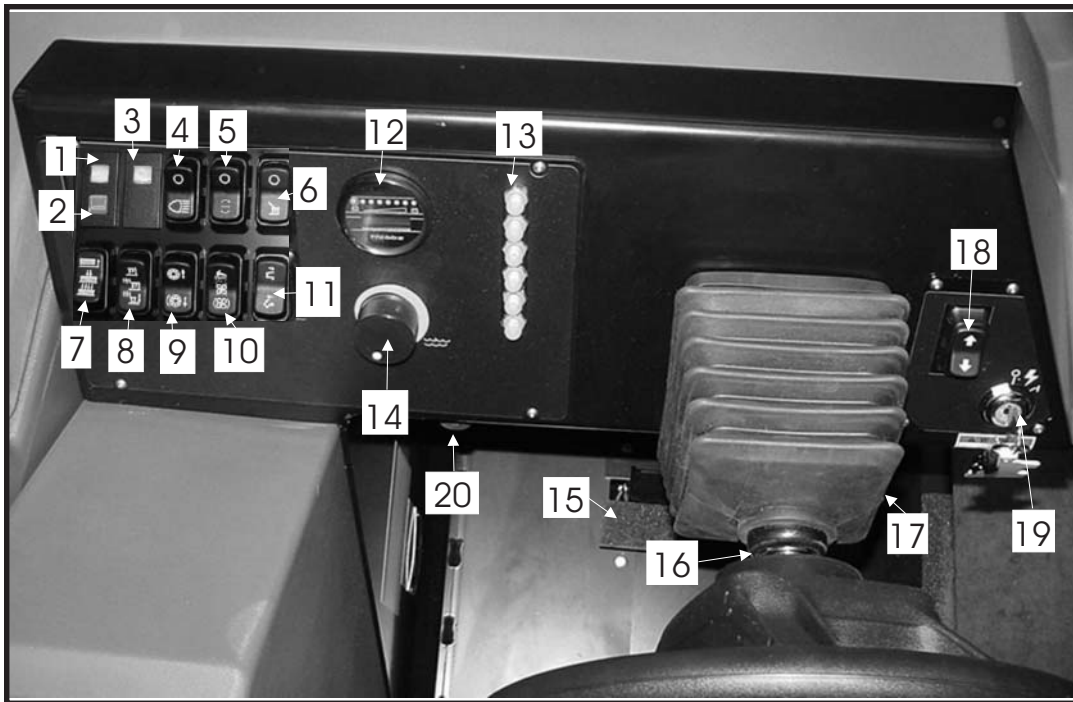


Figure 9

1. High recovery light.
2. Low solution light
3. Hopper open light.
4. Light switch.
5. ESP switch.
6. Spray Vac Wand switch.
7. Scrub brush switch.
8. Squeegee switch.
9. Main side broom switch.
10. Filter shaker/Dust control switch.
11. Hopper switch.
12. Battery condition meter/Hour meter.
13. Circuit breakers.
14. Solution flow knob.
15. Parking Brake.
16. Steering wheel adjustment lever.
17. Foot throttle.
18. Forward/Reverse switch.
19. Key switch.
20. Horn



Figure 10

KEY SWITCH

The keyed ignition switch is located on the operator's console as shown in figure 10.

The "OFF" position (O position) will shut off the machine. The IGN/ON position (I position) provides power to all machine systems and accessories.



Figure 11

FORWARD / REVERSE SWITCH

The forward/reverse switch is located on the operator's console as shown in figure 11. Pressing the upper half of the forward/reverse switch will result in the machine moving forward when the foot throttle is depressed. Pressing lower half of the forward/reverse lever switch will result in the machine moving backward when the foot throttle is depressed.

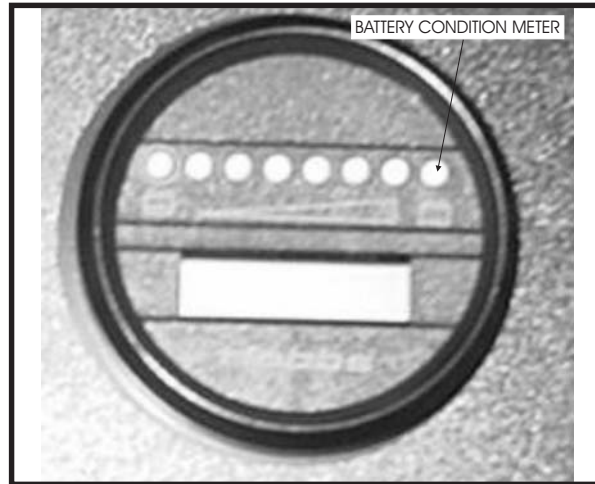


Figure 12

BATTERY CONDITION METER

The battery condition meter is located on the instrument panel as shown in figure 12. The condition meter indicates the level of charge in the batteries. The batteries are sufficiently charged when all of the LED's are illuminated amber as shown on the ramp illustration. Charge the batteries when one red LED is illuminated on the left at the bottom of the ramp diagram and the scrub brushes stop. Do not operate the machine.

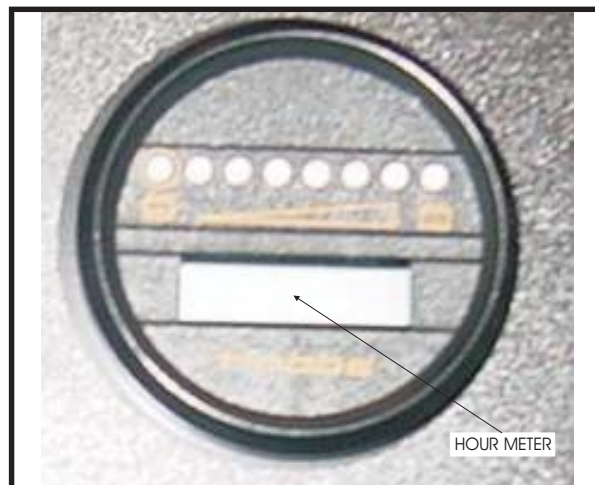


Figure 13



NOTE

To reengage, the key must be returned to the "OFF" position.

HOUR METER

The hour meter is located on the instrument panel as shown in figure 13. The display will show the total hours the machine has been in operation. The meter is activated when the key switch is placed in the ignition position. The meter can be used to determine when maintenance should be done on the machine.



Figure 14

HEADLIGHT/TAILLIGHT SWITCH (Optional)

The light switch is located on the instrument panel as shown in figure 14. By pressing on the lower half of the switch the headlights and taillights will be activated. Pressing the upper half of the switch will turn off the lights.



Figure 15

HOPPER OPEN LIGHT WARNING

The hopper open light switch is located on the instrument panel as shown in figure 15. When the hopper is open, the light is illuminated the broom and the dust control fan will stop.



Figure 16

FILTER SHAKER SWITCH (Only models with dust control)

The filter shaker switch is located on the instrument panel as shown in figure 16. By pressing and holding in the upper half of the switch, it will activate the filter shaker motors for 20 to 30 seconds. Releasing the switch, returns to the off position.

The dust control fan will stop when the filter shaker has been activated. The filter shaker will only operate with the hopper in the “DOWN” position.



Figure 17

DUST CONTROL SWITCH

The dust control switch is located on the instrument panel as shown in figure 17. To turn on the dust control system for normal sweeping, press the lower half of the switch.



WARNING

Turn the dust control switch to the center “OFF” position while wet sweeping. Water will damage the filter and cause premature filter failure.



Figure 18

SCRUB BRUSH SWITCH

The scrub brush switch is located on the left of the instrument panel as shown in figure 18. Pressing the top half of the switch raises the scrub deck and turns off the brushes. The middle switch position lowers the brushes to the normal down position for scrubbing. Pressing the lower half of the switch lowers the scrub deck to the heavy down position, supplying additional downward pressure for extremely dirty surfaces.



NOTE

Lowering the scrub deck does not turn on the brushes. The brushes turn on automatically when the machine moves forward or reverse.



Figure 19

SQUEEGEE SWITCH

The squeegee switch is located on the the instrument panel as shown in figure 19. Pressing the lower half of the switch lowers the squeegee and activates the squeegee vacuum. Pressing the upper half of the switch will turn off the squeegee vacuum and raise the squeegee. In the middle position the switch will raise the squeegee. In this position the vacuum remains on to allow vacuuming the water that is left in the squeegee recovery hose. This prevents water from dripping on the floor with the squeegee raised. If the squeegee is lowered and the direction of the machine is reversed (activated by the FWD/REV pedal) the squeegee will automatically raise. Moving forward the squeegee will automatically return to the lowered position.



Figure 20

LOW SOLUTION LIGHT

The low solution warning light is located on the instrument panel as shown in figure 20. The low solution warning light illuminates when the solution tank is empty, marking the end of the scrubbing cycle.



Figure 21

HIGH RECOVERY LIGHT

The high recovery warning light is located on the instrument panel as shown in figure 21. The light will illuminate approximately 5 minutes before the recovery tank is full, giving ample time to complete the scrubbing cycle, before the mechanical float shuts off the vacuum to the recovery tank.



Figure 22

HOPPER LIFT SWITCH

The hopper lift switch is located on the instrument panel as shown in figure 22. The switch controls the operation of the hopper lift system. To raise the hopper for dumping, press and hold the lower half of the switch until the hopper reaches the desired height, then release. To close the hopper press in and hold the upper half of the switch until the hopper closes completely then release.

 **WARNING**

To prevent the hopper from closing while doing maintenance lock the hopper in the open position into place with the safety arm.



Figure 23

SIDE BROOM and MAIN BROOM SWITCH

The side broom and main broom switch is located on the instrument panel as shown in figure 23. By pressing in the upper half of the switch, the side and main broom are raised and turned off. To lower and turn on both brooms, press the lower half of the switch.



Figure 24

SPRAY AND VAC WAND SWITCH (Optional)

The spray and vac wand switch is located on the instrument panel as shown in figure 24. Pressing the bottom half of switch turns on the vacuum motor and the solution pump. Pressing the top half of the switch turns the vacuum motor and solution pump off.



Figure 25

ESP SWITCH (Optional)

The ESP switch is located on the instrument panel as shown in figure 24. The ESP switch transfers water from the recovery tank through a filter and into the solution tank. When the switch is in the down position the pump will operate when the high recovery light is illuminated. Clean the recovery tank when the tank is emptied.



NOTE

Do not place clean water in the recovery tank when using ESP option, the solution tank could become overfilled during operation.

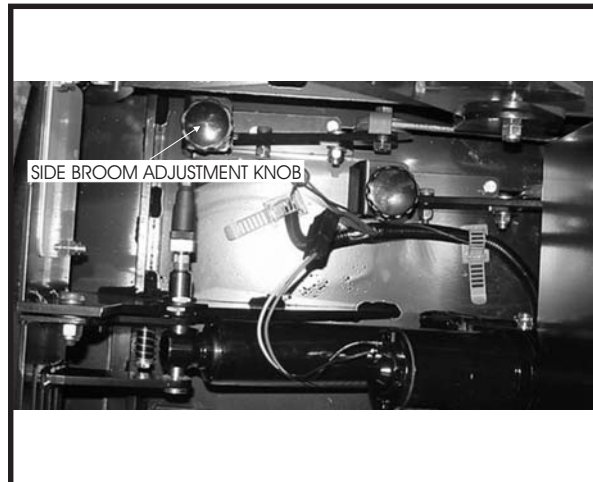


Figure 26

SIDE BROOM ADJUSTMENT

The side broom adjustment knob for changing the sweep height to compensate for broom wear, is located in front of the machine to the right of the dust control filter as shown in figure 26. Turning the knob to the left (counterclockwise) will lower the side broom.

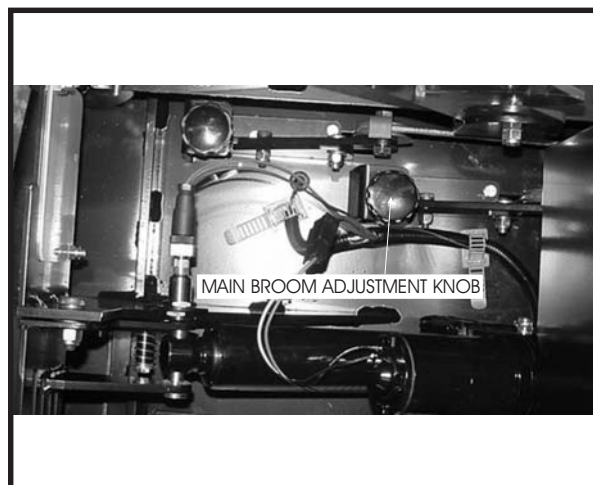


Figure 27

MAIN BROOM ADJUSTMENT

The main broom adjustment knob for changing the sweep height to compensate for broom wear, is located in front of the machine to the right of the dust control filter as shown in figure 27. Turning the knob to the left (counterclockwise) will lower the main broom.

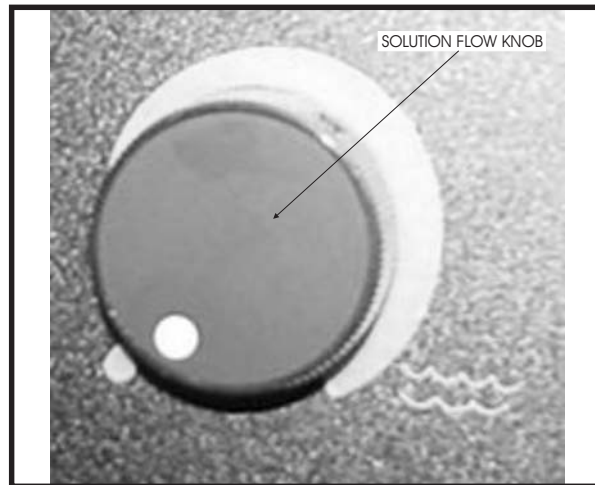


Figure 28

SOLUTION FLOW KNOB

The solution flow knob is located on the instrument panel as shown in figure 28. Turning the knob clockwise will increase the flow of solution and water. The farther the solution control knob is turned the heavier the flow of water and solution will be. Turning the knob counterclockwise will decrease the flow of the water and solution. To turn the water and solution off turn the knob all the way counterclockwise.



NOTE

For best results, discontinue application of solution 10 feet before stopping or making a 90° or 180° turn.

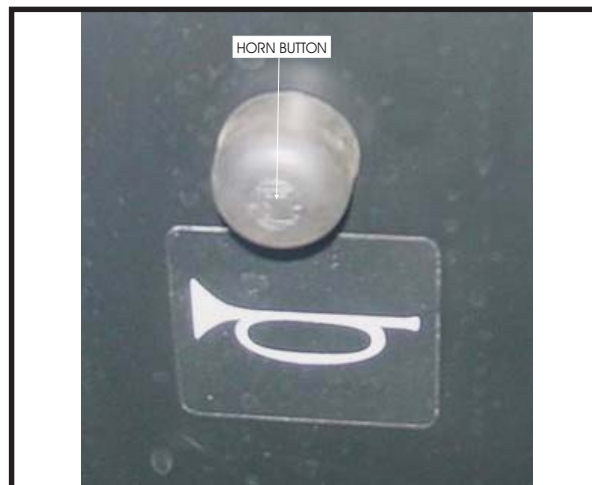


Figure 29

HORN BUTTON

The horn button is located on the instrument panel as shown in figure 29. The horn button is always active. Pressing the horn button will sound the horn.

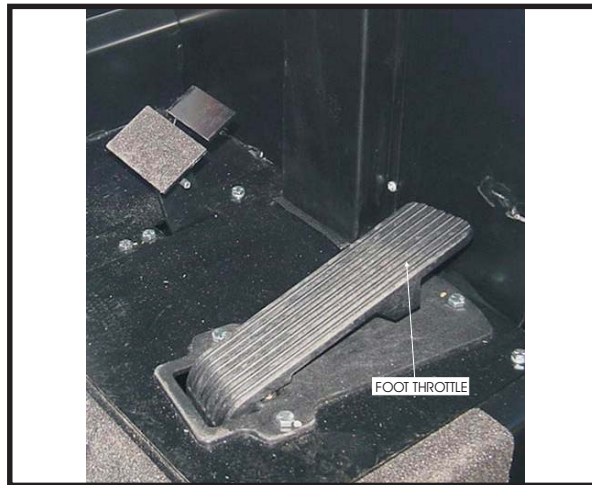


Figure 30

FOOT THROTTLE

The foot throttle is located to the right of the brake pedal on the floor of the operator's compartment as shown in figure 30. This pedal controls the machine travel speed. Press the forward/reverse switch to choose the travel direction, and then press down on the foot throttle to move set the machine in motion. Increase the foot pressure to increase the travel speed.

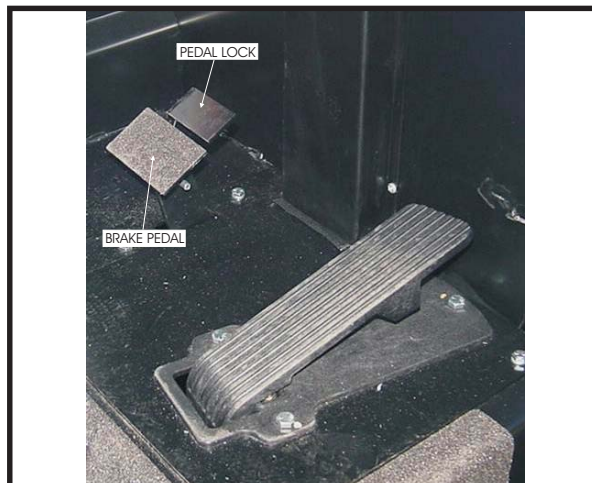


Figure 31

PARKING BRAKE

The parking brake is located on the floor of the machine left of the foot throttle as shown in figure 31. To set the parking brake, press down on the foot pedal and the press down the lock. To unlock the parking brake, push down on the upper portion of the foot pedal and release.



Figure 34

SEAT POSITION ADJUSTMENT

The seat position adjustment lever is located on the front of the seat to the left as seen in figure 34. The lever is spring loaded to the lock position. To adjust the seat, push the lever to the left and move the seat to the desired position and then release the lever to lock the seat into place.

SAFETY FEATURES

SEAT SAFETY SWITCH - Machine will not move and parking brake will set if this switch is not activated.

SPEED INTERLOCK - Maximum machine speed will be reduced while scrub brushes are in use.

BRUSHES OFF IN NEUTRAL - Scrub brushes automatically disengage when machine is idle.

AUTOMATIC RECOVERY VACUUM SHUT-OFF - Vacuum fans will shut down when recovery tank is full.



NOTE

Before starting the engine, perform the pre-start checklist. Before starting the engine, perform the pre-start checklist.

PRE-START CHECKLIST

- Check hydraulic fluid level.
- Check all systems for leaks.
- Check brakes and controls for proper operation.
- Check broom patterns.
- Check hydraulic fluid level.
- Check hydraulic connections for leaks.
- Check brakes and controls for proper operation.
- Check broom pattern.
- Check to ensure that all covers, panels and access doors are securely closed.



Figure 35



Figure 36

TO FILL SOLUTION TANK

Open the solution lid located on the top left side of the machine as shown in figure 36. Fill tank with 55 gallons of water and the correct mixture of American Lincoln Commercial cleaner for the job on hand. Close the solution tank.

OPERATING INSTRUCTIONS

TO START MACHINE

Turn key to "I" position.

TO TRANSPORT MACHINE

1. Make sure the brushes and squeegees are in the up or raised position with all other controls in the off position.
2. Release the parking brake.
3. Push the forward/reverse switch to desired position (up for forward and down for reverse)
4. Push down on the foot throttle to obtain desired travel speed.
5. Release the foot throttle to slow down or stop when on a flat surface. To slow the machine when descending down an inclined surface reduce foot pedal pressure.



NOTE

The pedal proportional braking system is designed to regulate machine speed according to the foot throttle position. This system is designed to bring the machine to a stop in controlled manner. When driving down an inclined surface, reduce foot pedal pressure rather than releasing the foot throttle. This will provide a controlled stop and prevent the drive wheel from locking.



WARNING

Do not turn the steering wheel sharply when the machine is in motion. The sweeper is very responsive to movement of the steering wheel. Do not make sudden turns.



Figure 38

TO BEGIN THE CLEANING OPERATION

1. Select the operating mode
NORMAL = ESP
2. Lower brushes to the desired position.
SCRUB DECK = NORMAL RANGE OR HEAVY
3. Place the squeegee switch in the lower position.
SQUEEGEE BLADE = LOWER
4. Move solution control knob to the desired setting and begin operation.

SCRUBBING THE AVERAGE FLOOR WITH LIGHT TO MEDIUM SOILAGE

In this operation, cleaning is accomplished in one pass, with simultaneous solution feed, scrubbing and dirty water pick up. The rate of solution feed and the speed of travel required will vary with floor condition. This knowledge will come with operator experience.

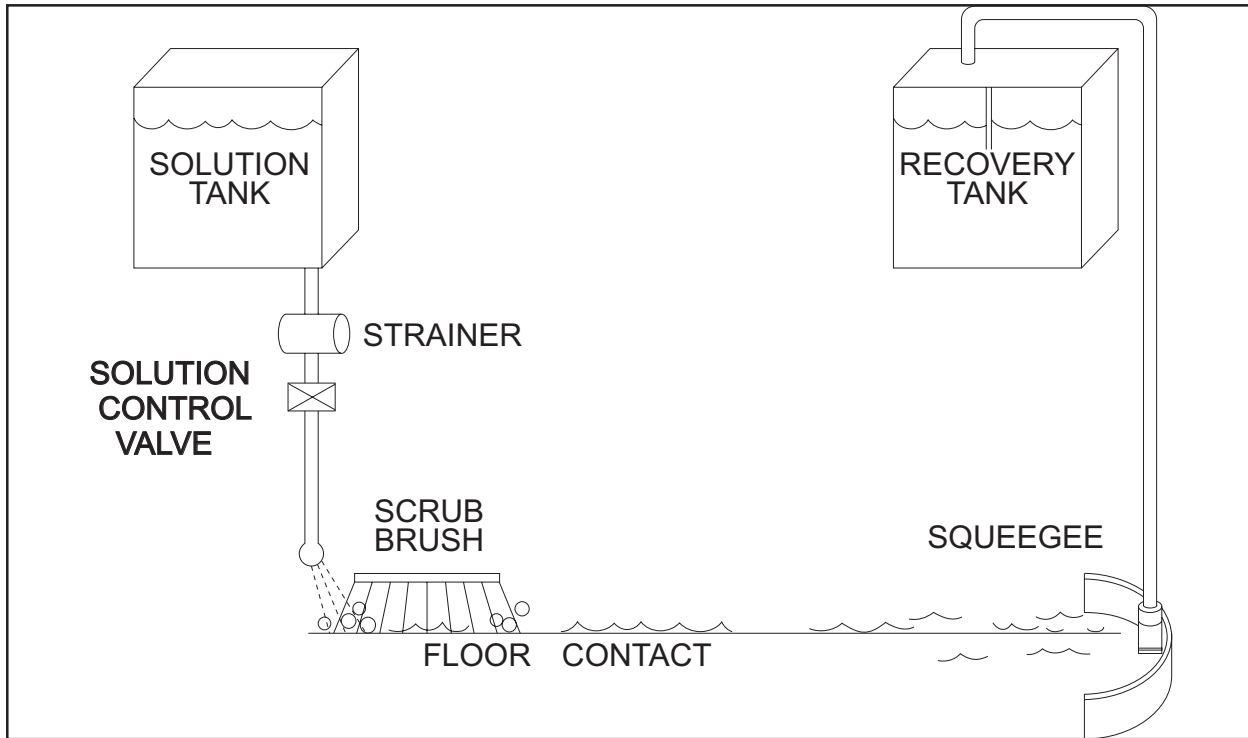


Fig. 39

THE NON-RECYCLING OR STANDARD SCRUBBING MODE

During the scrubbing process, detergent solution water from the solution tank is fed to the solution line. There it is fed to the floor where three disc scrubbing brushes work to dislodge soil. After scrubbing, the dirty solution is vacuumed from the floor and discharged into the containment chamber in the forward portion of the recovery tank, where a system of baffles helps to clarify the solution.

Sensors in each tank will indicate, by lights on the control panel, when the water in the solution tank is too low or when the water in the recovery tank is too high.

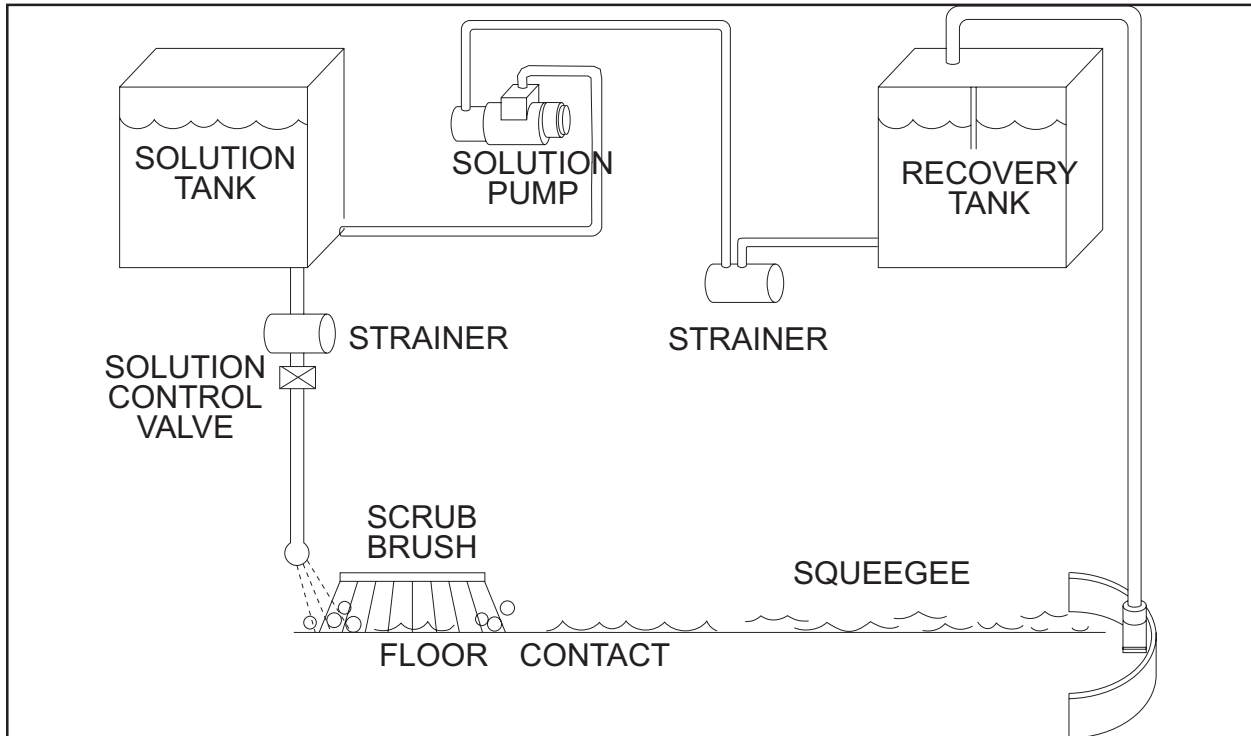


Fig. 40

ESP OPERATING MODE

During the scrubbing process, filtered water from the solution tank is fed to the solution line, where it combines with detergent. This mixture is then fed to the floor where two or three disc scrubbing brushes work to dislodge soil. After scrubbing, the dirty solution is vacuumed from the floor and discharged into the recovery tank. At intervals, a float switch activates the recycling pump, which sends filtered solution from the recovery tank to the solution tank.

OPERATING INSTRUCTIONS

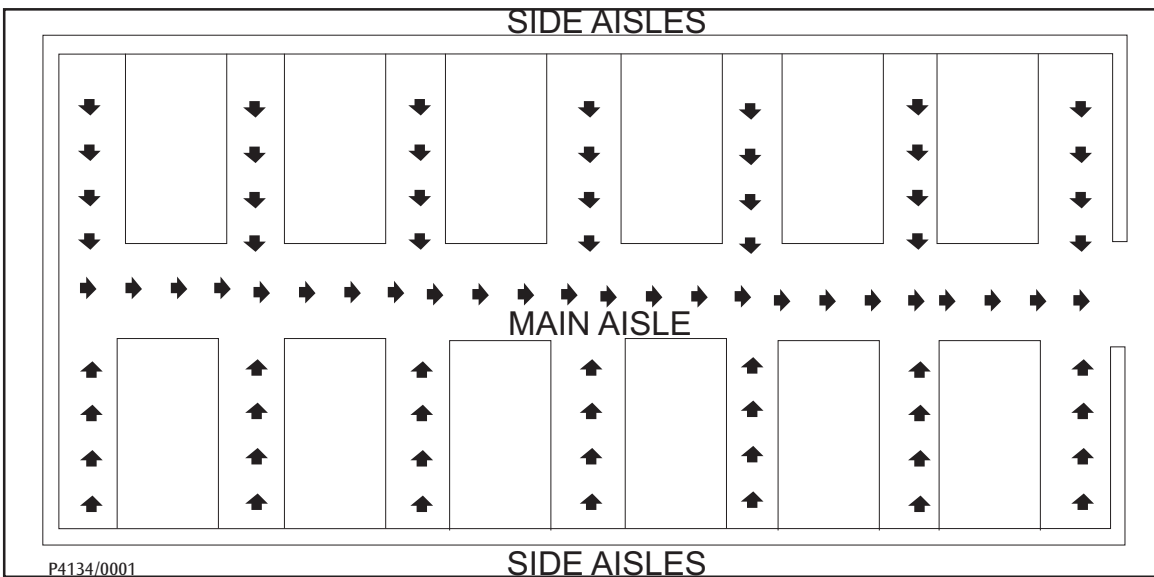


Fig. 41

SCRUBBING PATH

- Scrub in straight paths. Do not bump posts. Do not scrape the sides of the machine.
- When the machine is in motion, do not push the directional/speed control pedal all the way forward. This is the same as starting in “high” and will put a strain on the motor and drive system.
- Plan your sweeping and scrubbing in advance. Try to arrange long runs with minimum stopping and starting. Sweep debris from narrow aisles out into main aisle ahead of time. Do an entire floor, or section at on time.
- Pick up oversize debris before sweeping.
- Allow a few inches of overlap of sweep and scrub paths. This will eliminate leaving dirty patches.
- Allow a few inches of overlap of sweep and scrub paths. This will eliminate leaving dirty patches.
- Don't turn steering wheel to sharply when machine is in motion. The machine is very responsive to movement of the steering wheel; so avoid sudden turns.
- Try to follow as straight a path as possible. Avoid bumping into posts or scraping the sides of the machine.
- When placing the machine in motion, avoid slamming the directional control pedal all the way forward suddenly. This is equivalent to starting out in “HIGH” and puts needless strain on the drive system. Periodically, turn the sweeping broom end for end to prevent the bristles from “settling” in one direction.

TO STOP THE CLEANING OPERATION

Discontinue the cleaning operation when the low solution light or the high recovery light illuminates, this indicates the solution tank is empty or recovery tank is full. Discontinue the scrubbing cycle, put all controls in the forward position for transport and drive to the drain area.



NOTE

After stopping, perform these post operation checks.

POST OPERATION CHECKLIST

Check Battery Condition and recharge, if necessary.

1. Check all flaps for wear, damage and adjustment.
2. Drain and clean recovery tank.
3. Clean recovery tank screen and float.
4. Check scrub brushes for wear or damage.
5. Check rear and side squeegee for wear, damage and adjustment.
6. Clean the debris in hopper
7. Check main and side broom for wear or damage.

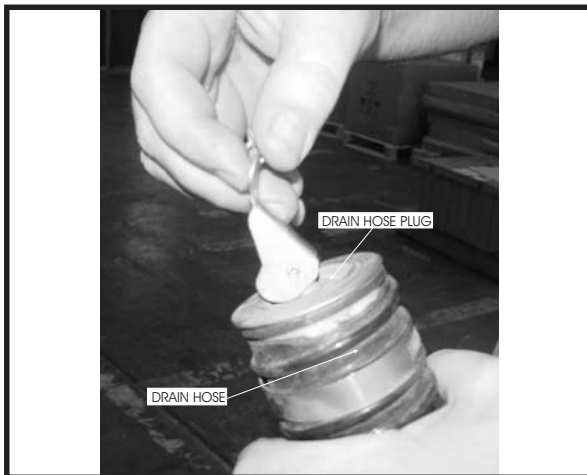


Fig. 42

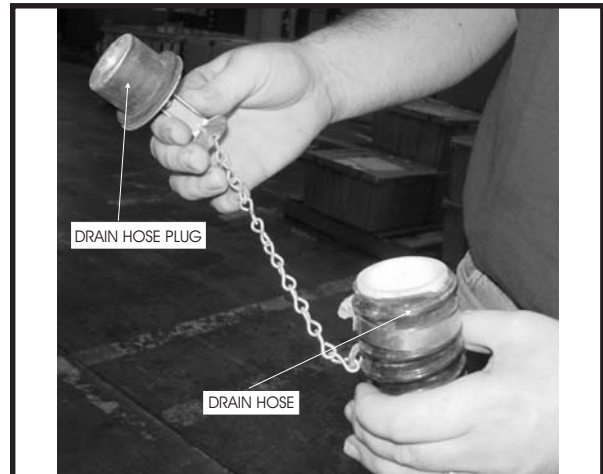


Fig. 43

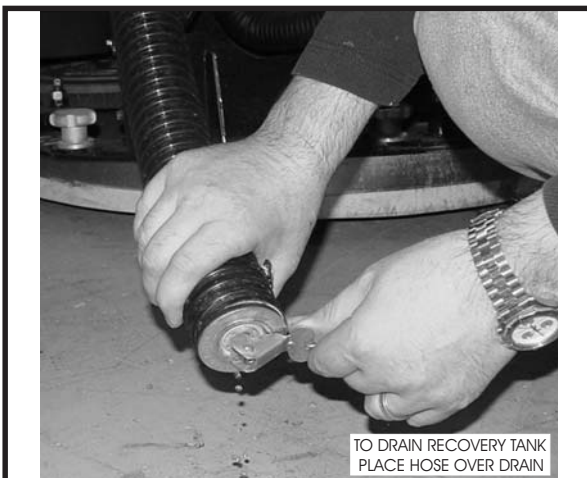


Fig. 44

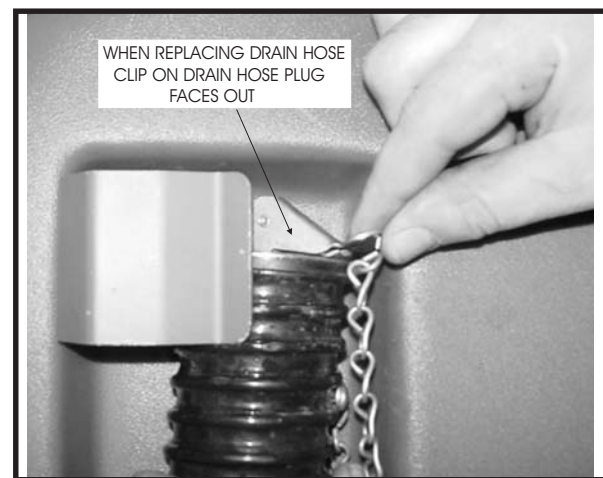


Fig. 45

TO DRAIN RECOVERY TANK

The drain hose for the recovery tank is located on the back of the machine. To drain the tank, remove and lower the hose and place in a suitable floor drain as shown in figure 44. Open the drain hose plug as shown in figure 42 and 43.



IMPORTANT

Improper discharge of wastewater will damage the environment and is illegal. The U.S. Environmental Protection Agency has established certain regulations regarding discharge of wastewater. The local city and state regulations regarding wastewater discharge may be in effect in your area. Understand and follow the regulations in your area. Be aware of the environmental hazards associated with the substances you dispose of.

OPERATING INSTRUCTIONS



Fig. 46



Fig. 47

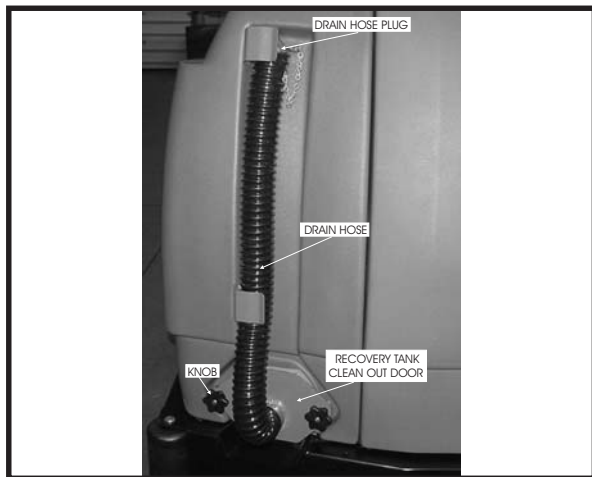


Fig. 48

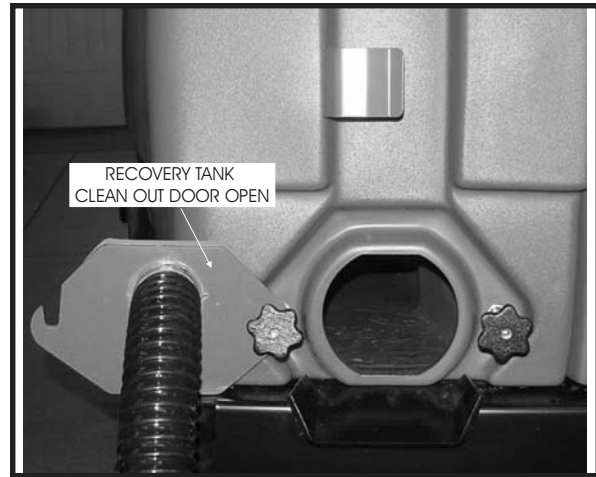


Fig. 49

When the draining operation is complete, open the recovery tank clean out door as shown in figure 49 and flush the recovery drain hose as shown in figure 46. Clean the recovery tank and recovery tank screen as shown in figure 47. Close the recovery tank clean out door, drain hose plug, the recovery tank lid and clip the drain hose into place as shown in figure 48.

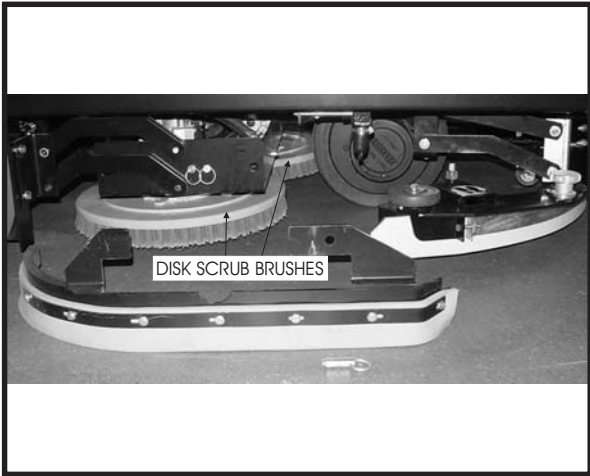


Fig. 50

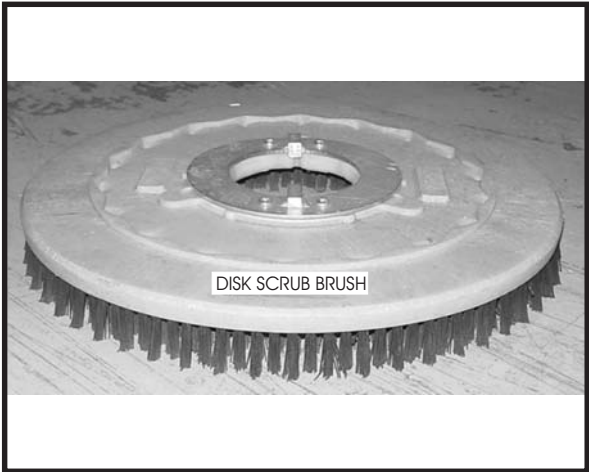


Fig. 51

Inspect the disk scrub brushes and replace when the bristles are reduced to $\frac{3}{4}$ in length as shown in figure 50 and 51. To order replacement brushes, see scrub brush options in this manual.

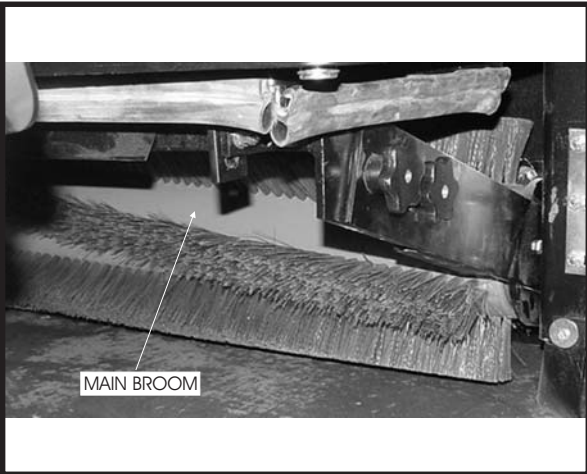


Fig. 52



Fig. 53

Inspect the main and side broom. When the bristles are worn to 1 1/2 inch length replace the main broom as shown in figure 52 and replace side broom when bristles are worn to 3 1/2 inch as shown in figure 53.

OPERATING INSTRUCTIONS



Fig. 54

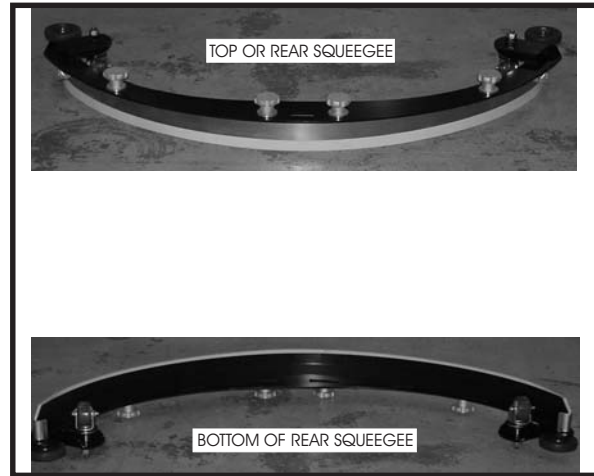


Fig. 55



Fig. 56

Inspect the rear and side squeegee blades for wear. If the wiping edge becomes rounded, remove and reinstall so the unworn edge is now the wiping edge. This process can be repeated until all four edges are worn. If the squeegee blade has become rippled, it will need to be replaced.

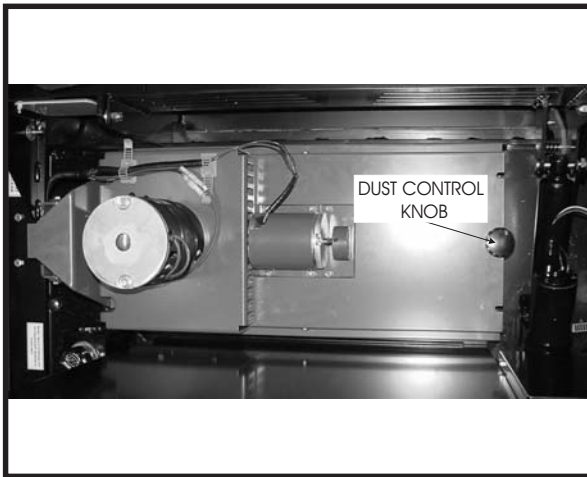


Fig. 57

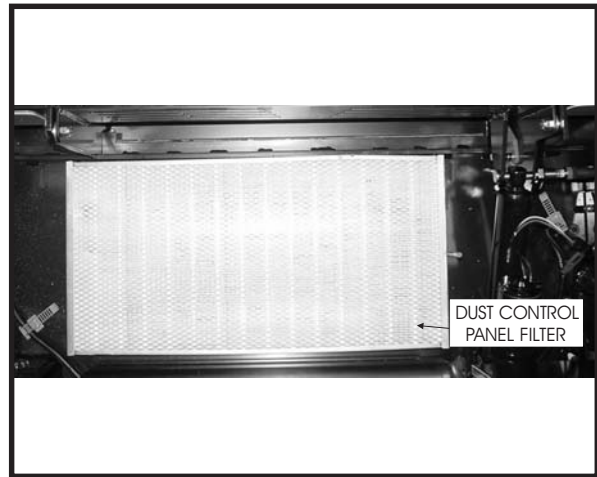


Fig. 58

DUST CONTROL KNOB

The dust control knob is used to hold the dust control filter cover down as shown in figure 57. The dust control filter is located under the front cover and will need to be removed periodically for cleaning or replacement. Removal of the filter panel requires no tools. The front cover must be opened to gain access to the filter compartment. The panel filter is held in place by a hinged frame and knob. To remove the panel filter, turn the knob counterclockwise and lift the hinged frame. The panel filter can now be lifted out and cleaned or replaced. To install the replacement panel filter, place a new filter in the machine, lower the frame and twist the knob clockwise to lock the filter in place.

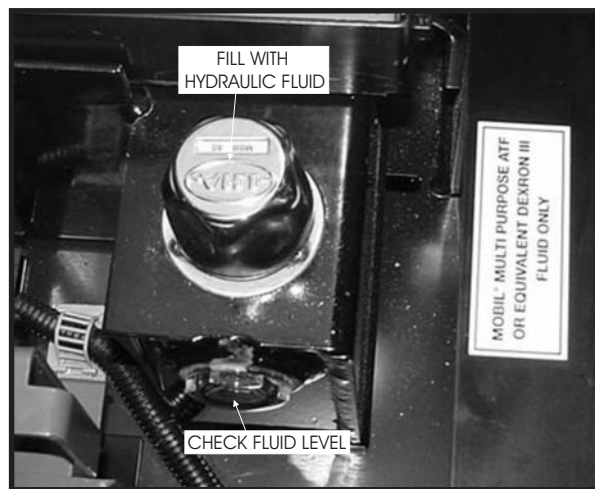


Fig. 59

HYDRAULIC RESERVOIR LEVEL SIGHT GAUGE

The sight gauge is located on the right side of the machine under the front cover as shown in figure 59. The sight gauge is used to indicate the level of fluid in the reservoir. The fluid level must be visible in the sight gauge when the hopper is in the down position.

MAINTENANCE

SERVICE CHART

Check items for proper operation. If service is required, please contact an authorized American-Lincoln Technology distributor. For best performance, replace worn parts with genuine American-Lincoln parts.

EVERY eight (8) HOURS or DAILY check and clean/adjust if necessary:

- 1 Inspect panel filter for damage and clean them.
- 2 Inspect and clean hopper.
- 3 Inspect and clean recovery tank screens and filters.
- 4 Check hydraulic fluid level.
- 5 Check all flaps for wear or damage.
- 6 Check brooms for wear or damage, adjust as required.
- 7 Check brake pedal and parking brake.
- 8 Check hydraulic oil filter.
- 9 Check battery electrolyte level.
- 10 Check all fluid system components for leaks.

50 HOUR (WEEKLY) MAINTENANCE CHECKLIST

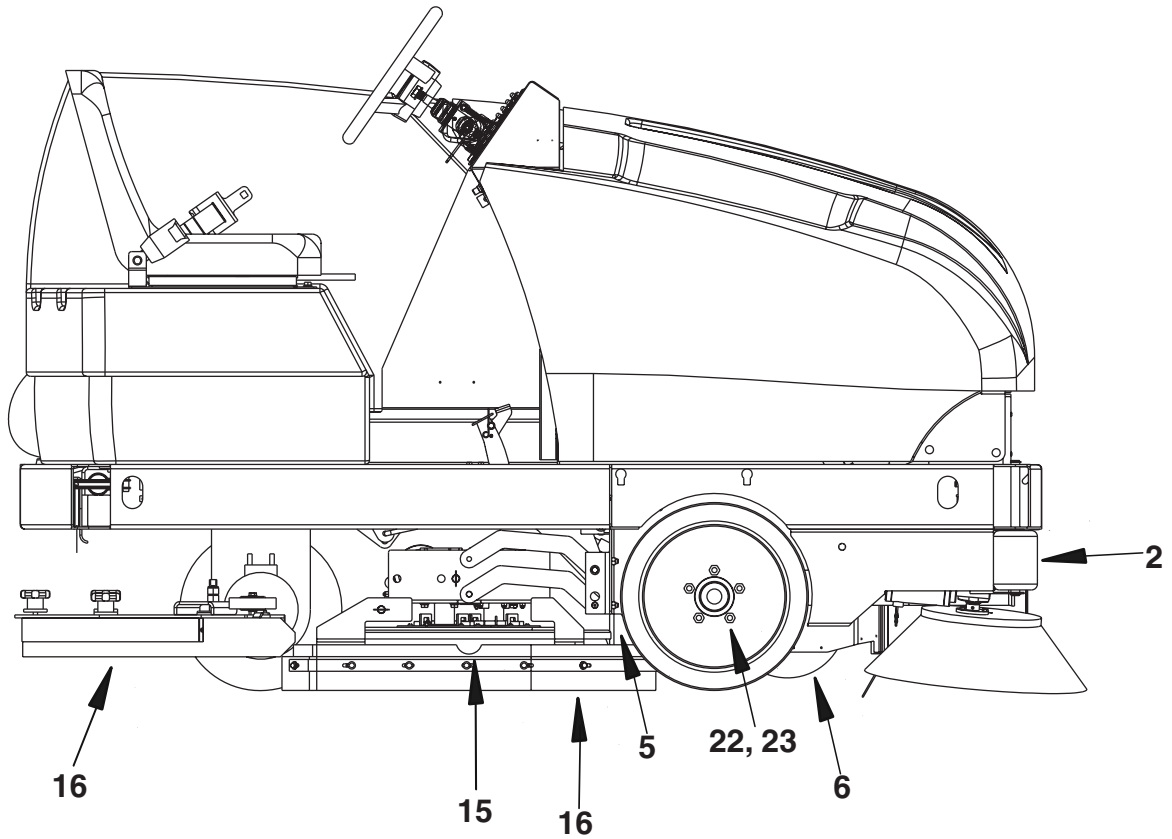
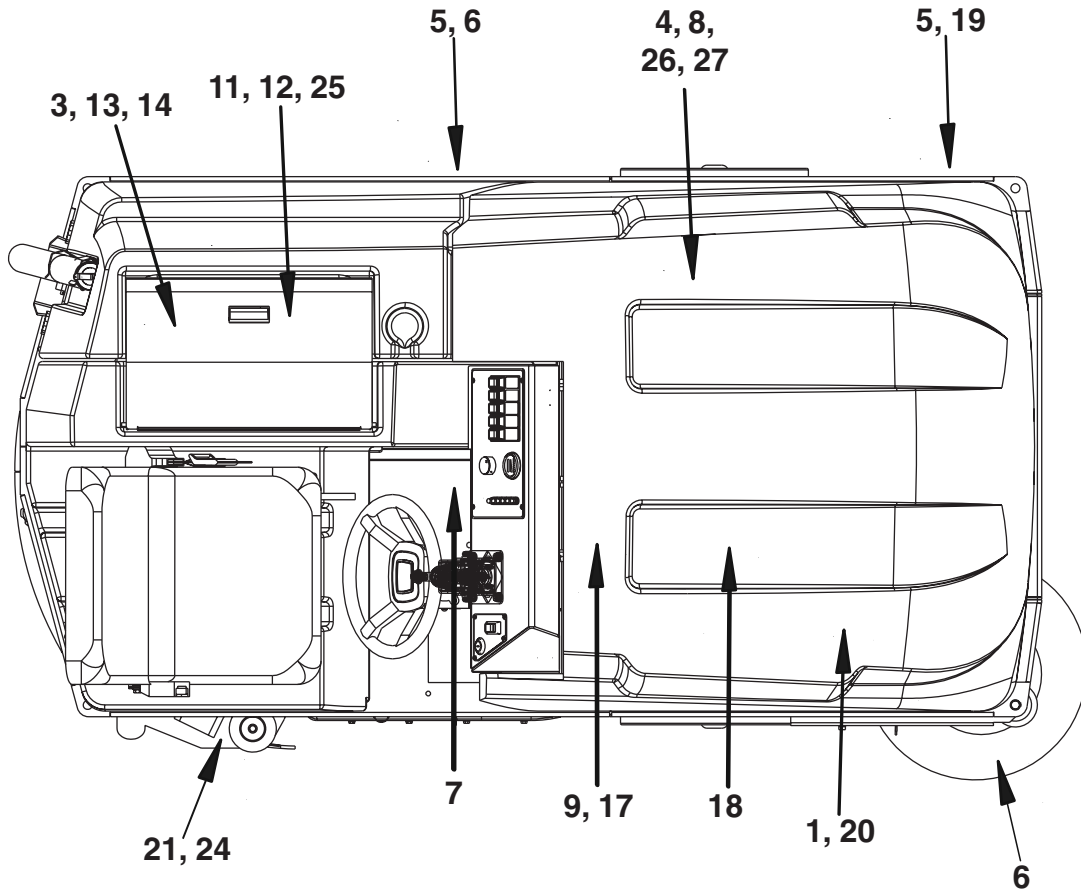
- 11 Check solution tank (recycling or ESP system).
- 12 Check solution filter screen (recycling or ESP system).
- 13 Check recovery tank.
- 14 Check recovery tank screens and filters.
- 15 Inspect scrub brushes for wear or damage.
- 16 Inspect rear and side squeegees for wear or damage.
- 17 Check battery electrolyte level.
- 18 Check all hydraulic hoses for wear or cuts.
- 19 Rotate main brush.
- 20 Clean or replace panel filter.
- 21 Lubricate squeegee casters.

100 HOUR MAINTENANCE CHECKLIST

- 22 Lubricate front wheel bearings.
- 23 Lubricate all moving joints.

250 HOUR MAINTENANCE CHECKLIST

- 24 Lubricate squeegee casters.
- 25 Clean solution tank and filter screen.
- 26 Replace hydraulic filter element.
- 27 Clean hydraulic reservoir.



MAINTENANCE

For safety, read and follow the service precautions below. Know the hazards associated with the equipment you are working on to prevent personal injury or damage to equipment.

For service assistance, consult your nearest American-Lincoln dealer. For best performance replace worn parts with genuine American-Lincoln parts.

Refer all maintenance and service requirements to qualified maintenance personnel.

DO NOT attempt to service this machine until you have read and understand all safety warnings associated with the equipment you are working on.



WARNING

- **Maintenance and repairs must be done by authorized personnel only.**
- **Electrical repairs must be done by authorized personnel only. Consult your American-Lincoln Authorized Service Person to do service procedures. Use only genuine American-Lincoln parts.**
- **Always park on a level surface, turn key off, and engage parking brake before working on the machine to keep it from creeping or rolling.**
- **Maintenance and repairs must be done by authorized personnel only. Always empty the solution tank and the recovery tank before doing any maintenance. Keep all fasteners tight. Keep adjustments according to the specifications as shown in the Service Manual for this machine.**
- **Always wear eye protection and protective clothing when working near batteries. Do not put tools or other metal objects across the tops of the batteries. NO SMOKING.**
- **To prevent damage to the machine, and discharge across the tops of the batteries, do not fill the batteries above the bottom of the tube in each cell. Wipe any acid from the machine or the tops of the batteries. Do not add acid to a battery after installation.**
- **The hopper could fall and cause serious injury. Always engage the hopper safety arm before working under the hopper.**
- **To maintain the stability of this machine in normal operation, the overhead guard, or similar equipment installed by the manufacturer as original equipment should not be removed. If it becomes necessary to remove such equipment for repair or maintenance, this equipment must be reinstalled before machine is placed back in operation.**

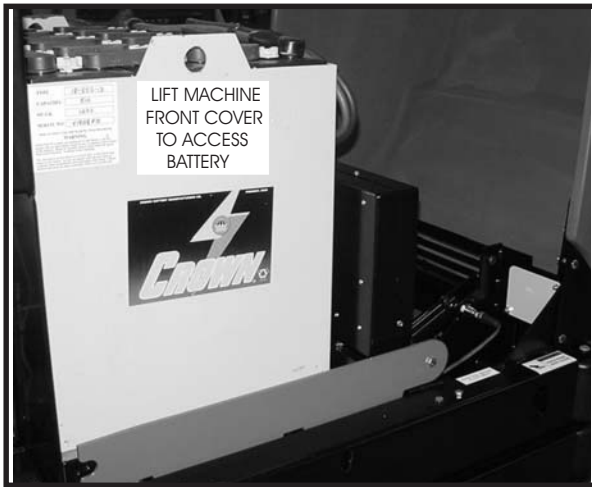


Fig. 60

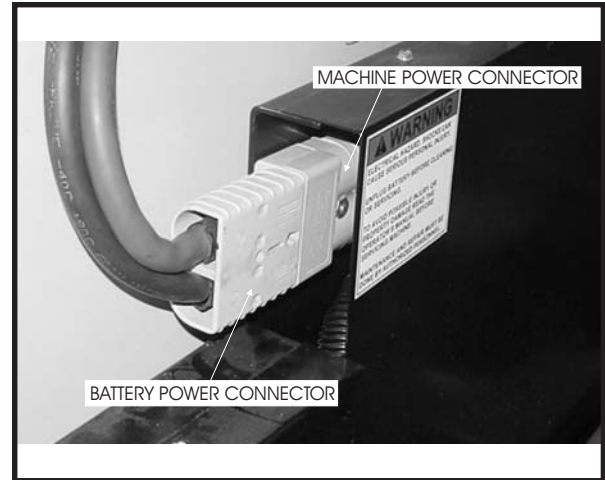


Fig. 61

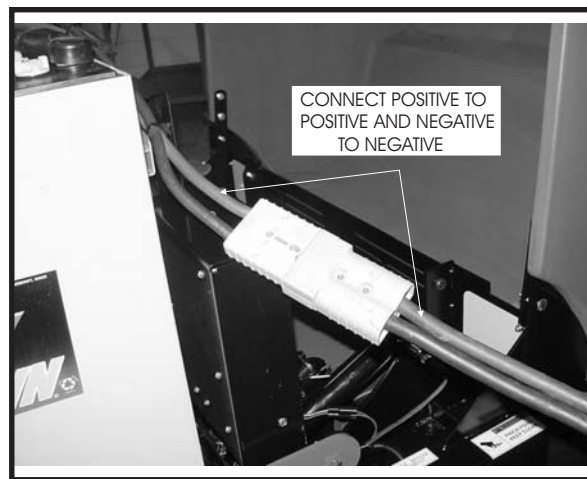


Fig. 62

BATTERY CHARGING INSTRUCTIONS

When the battery conditioning meter is illuminated with one red LED light, the battery needs to be recharged. To prevent interruption of the cleaning cycle, charge the battery after using.

1. Lift the machine front cover.
2. Disconnect the battery power connector from the machine power connector.
3. Plug the battery power connector into the battery charger.
4. Follow manufacturer's charging instructions provided on the charger.
5. Maintain electrolyte level in battery, check after charging. Add distilled water as needed.

MAINTENANCE

WARNING

- Do not remove the battery from the machine if there is waste in the solution tank.
- Hydrogen gas is formed during the charging operation and is explosive! Only charge batteries in a well-ventilated area with the lid open. Avoid any open flame or electrical sparks. Pulling out the charger plug, with the charger still on, will cause an arc and must be avoided.
- Batteries are heavy. Use lifting device with specified rated capacity.
- Always remove jewelry, wear protective clothing, and face protection when working near batteries.
- Lead acid batteries generate gases, which cause explosions. Keep sparks and flames away from batteries charge the batteries only in area with good ventilation. NO SMOKING!
- To prevent an explosion, disconnect the AC plug from the receptacle before connection or disconnect the DC plug on the charger.
- The battery box can slide off a forklift and cause severe personal injury or damage to equipment. Ensure that the battery box is properly secured to the forks of the forklift during transport, drive and stop with caution.

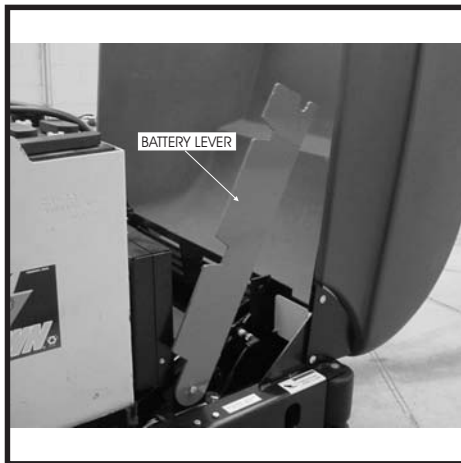


Fig. 63

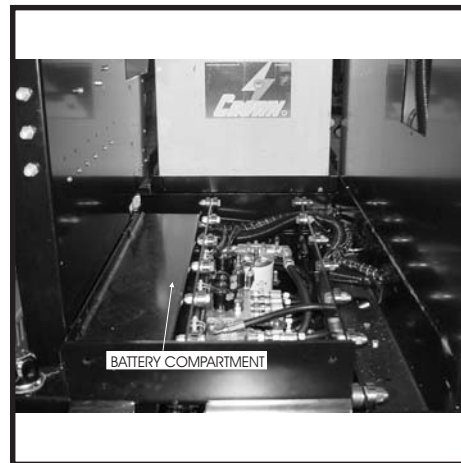


Fig. 64



Fig. 65



Fig. 66

BATTERY REMOVAL

When removing batteries

1. Lift the machine front cover to access battery compartment.
2. Unplug the battery power connector from the machine power connector.
3. Rotate the battery lever to the right.
4. Lift the battery out using a 2000 LB. (907 KG) capacity lifting device.

BATTERY REMOVAL WITH THE BATTERY ROLLOUT OPTION

When removing batteries

1. Lift the machine front cover to access battery compartment.
2. Unplug the battery power connector from the machine power connector.
3. Line up battery cart locator pins with slots in frame and lock in place.
4. Rotate the battery lever to the right.
5. Roll battery out on to cart.

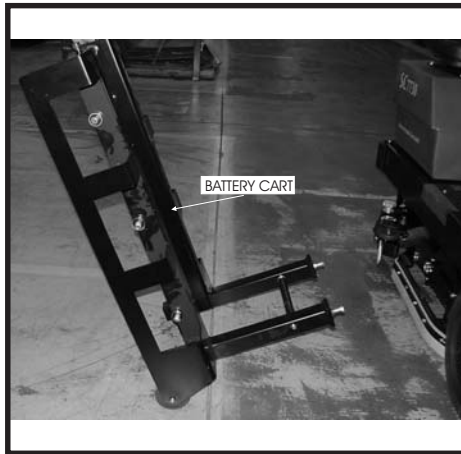


Fig. 67

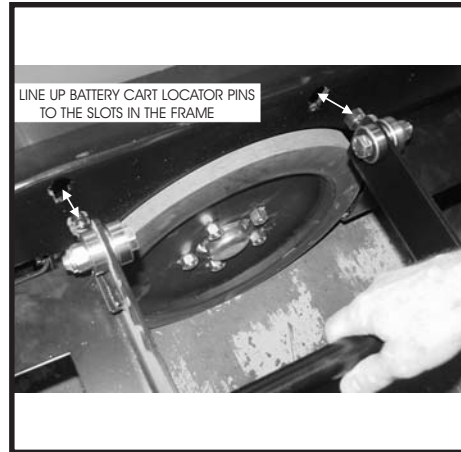


Fig. 68

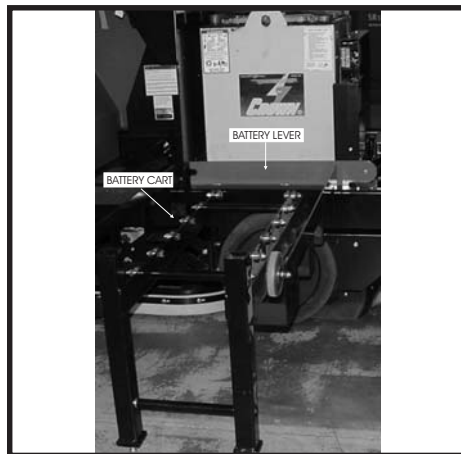


Fig. 69

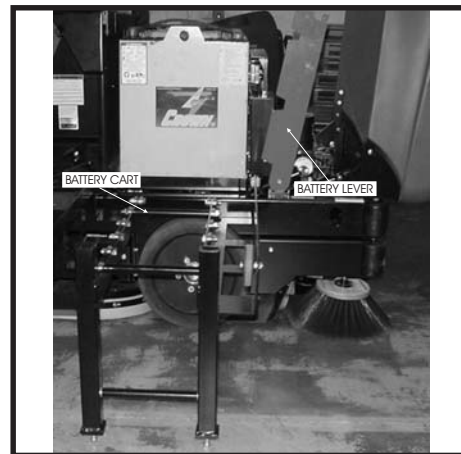


Fig. 70

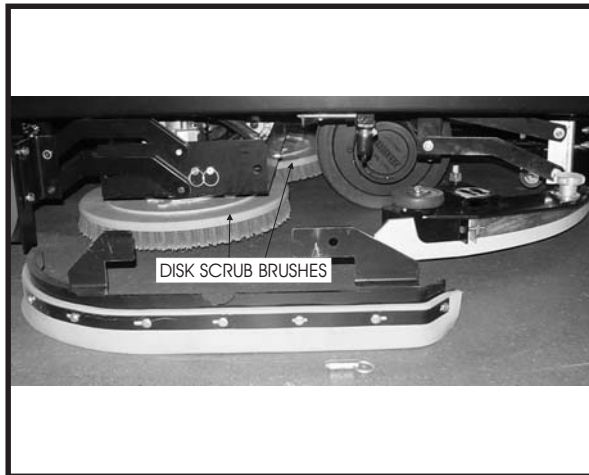


Fig. 71



Fig. 72

REPLACING SCRUB BRUSHES

1. Raise the scrub brush deck by pressing the “Scrub Brush” switch on the instrument panel.
2. Press the brush latches in to release the scrub brush.
3. Remove the old scrub brush.
4. Snap the new scrub brush into place.

REPLACING PADS ON A PAD DRIVER

Install a new pad when the old one is worn or dirty. The pad driver assembly is removed and installed the same way a standard scrub brush is (See replacing the scrub brush).

1. The pad driver is held in place by a ring. Pull the pad driver straight down to remove it.
2. Remove the pad holder using the spring wire retainer.
3. Replace the worn pad.

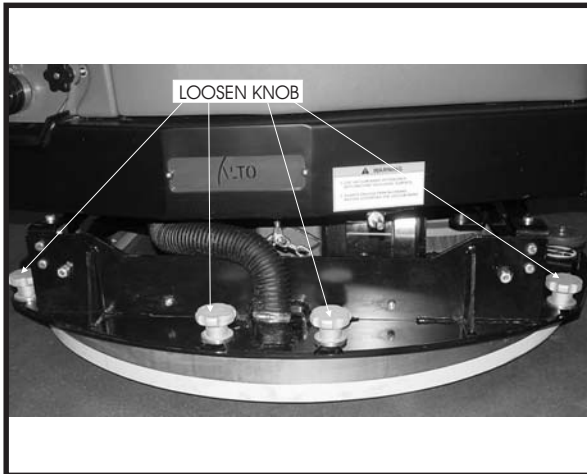


Fig. 73

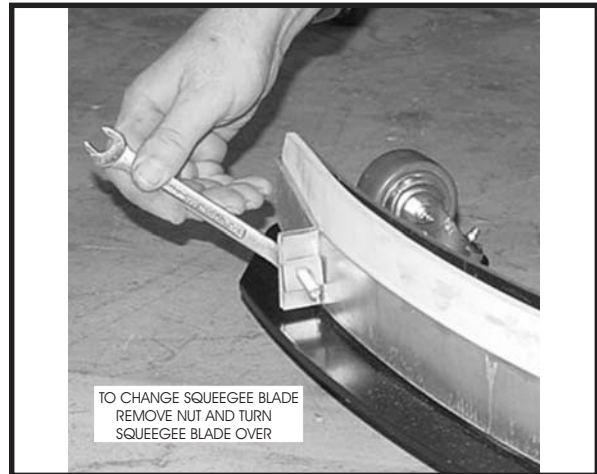


Fig. 74

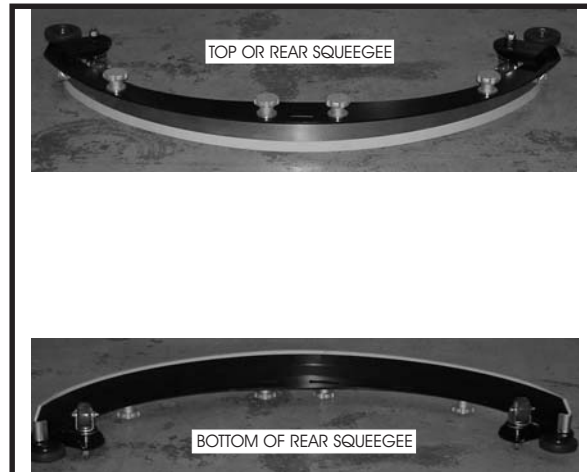


Fig. 75

REPLACING REAR SQUEEGEE

The squeegee will require service when the inner edge of the blades become round with wear, impairing the wiping action or water pick up.

1. Loosen the four aluminum knobs.
2. Remove the squeegee tool and turn upside down to service the blades or the caster wheels. The squeegee blades are designed to rotate to use an unworn edge.
3. Loosen the clamp bolts.
4. Install blades so that the outer blade is 3/16" longer than the inner blades. This is achieved by assembling the top edge of the blade against the squeegee tool weldment.
5. Reinstall the squeegee clamp band and tighten the clamp bolt.

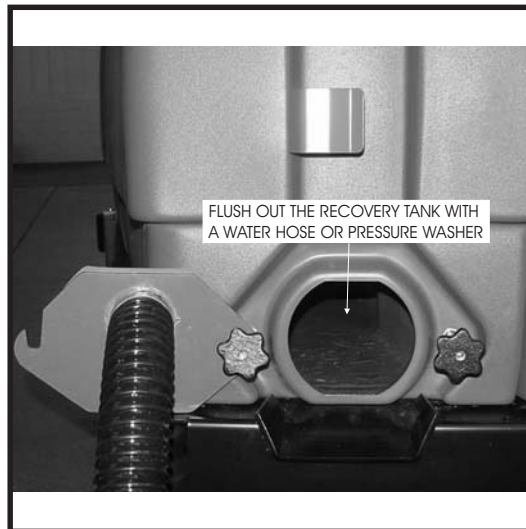


Fig. 76

DRAINING THE RECOVERY TANK

Drive the machine to a draining area. Loosen the knobs on the recovery clean out door and pivot the door to the left as shown in figure 76. With the water hose flush out the bottom of the recovery tank clean out door to remove larger particles of debris.



Fig. 77



Fig. 78

DRAINING THE SOLUTION TANK

Lift the cover on the solution/recovery tank. Locate the solution tank drain hose as shown in figure 77. Pull the hose out as shown in figure 78. Open the solution tank drain plug and let the solution tank drain. Clean out and flush the solution tank with a water hose. Tighten the solution tank plug and tuck the solution tank drain hose into place.

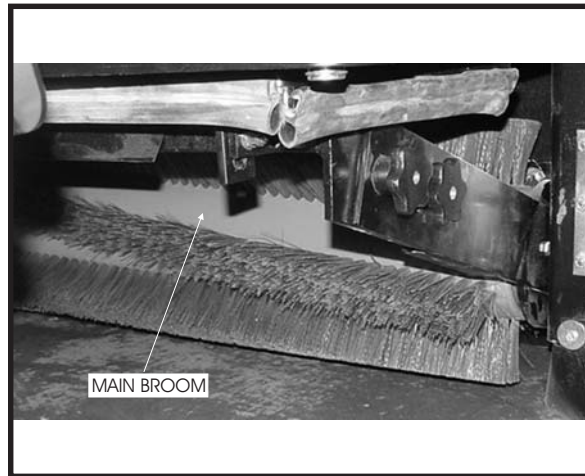


Fig. 79

MAIN BROOM

To prevent the broom from setting in one direction and to provide the maximum life of the broom it is recommended that the broom be turned end over end periodically.



Fig. 80

ADJUSTING THE MAIN BROOM HEIGHT

The main broom adjustment knob for changing the sweep height to compensate for broom wear is located in front of the machine as shown in figure 80. Turning the knob to the left (counterclockwise) will lower the main broom. When changing the sweep height adjustment, it is recommended the knob be adjusted one turn at a time. After adjusting, recheck the sweep pattern to determine if further adjustment is necessary.

TURN KNOB CLOCKWISE = INCREASE SWEEP PATTERN WIDTH
TURN KNOB COUNTERCLOCKWISE = DECREASE SWEEP PATTERN WIDTH

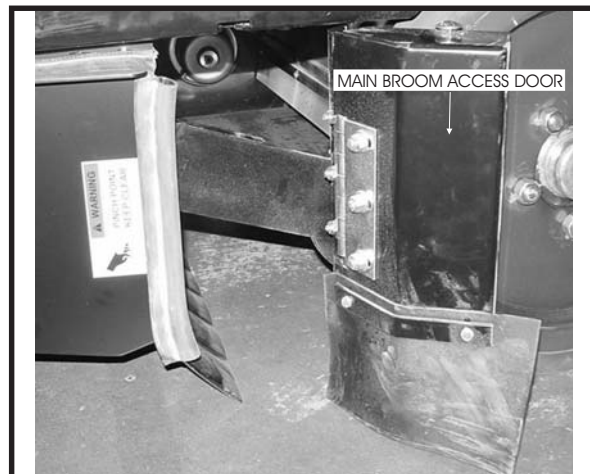


Fig. 81

MAIN BROOM ACCESS DOOR

The main broom access door is located in front of the left side tire of the machine as shown in figure 81. The door provides access to the main broom for service or inspection. The hopper must be raised to access.



WARNING

Engage hopper safety arm while accessing the main broom

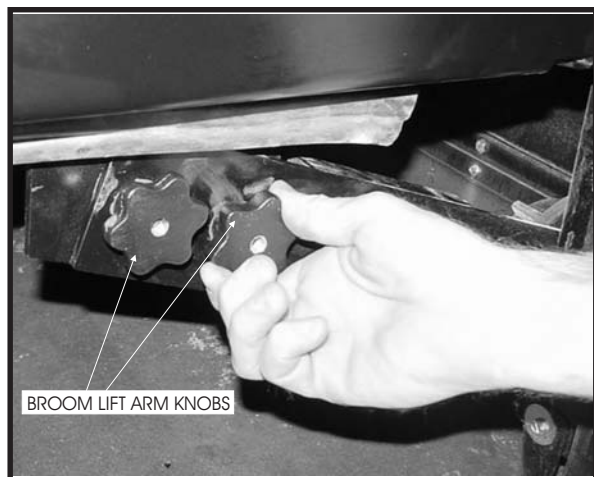


Fig. 82



Fig. 83

REPLACING THE MAIN BROOM

The Main Broom should be replaced when the bristles become worn to less than 1 1/2". The main broom is held in place by the right side broom door. This feature provides for easy removal and installation of the main broom without the need for special tools or equipment. Lift the hopper to gain access to the main broom compartment. Loosen the main broom access door knob and open the main broom access door. Rotate and remove the broom lift arm knobs counterclockwise to the left as shown in figure 82 and 83.

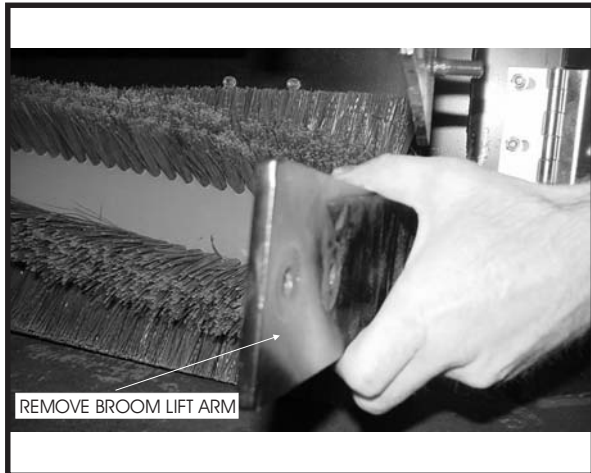


Fig. 84

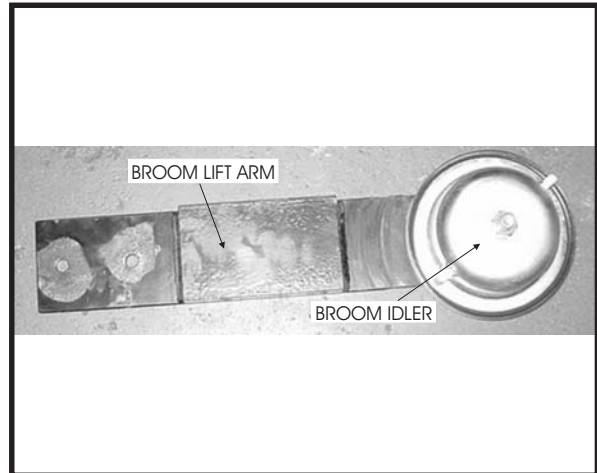


Fig. 85

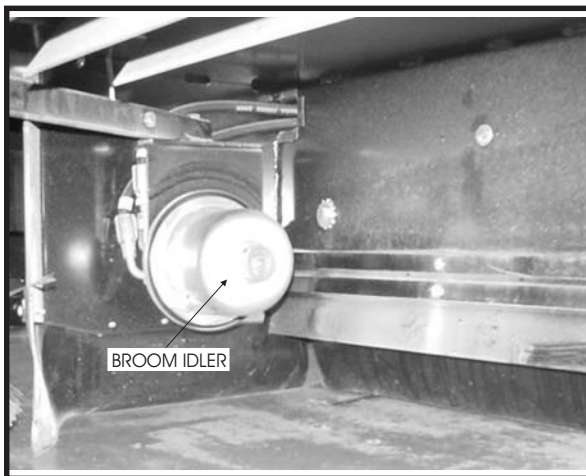


Fig. 86

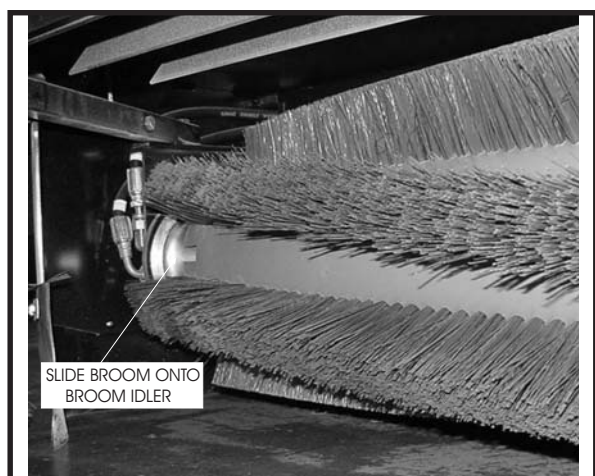


Fig. 87

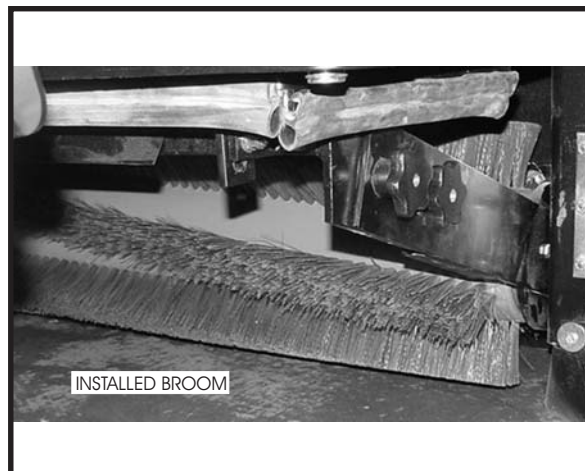


Fig. 88

Remove broom lift arm as shown in figure 84 and 85. Remove the main broom from the from the broom idler exposing the main broom compartment as shown in figure 86. Check and clean out the main broom compartment before installing the new main broom. Slide the main broom onto the broom idler as shown in figure 87. Replace the broom lift arm and rotate the broom lift arm knobs clockwise to tighten into place as shown in figure 88. Adjust the main broom to 1-1/2" to 2" sweep pattern.

MAINTENANCE



Fig. 89

SIDE BROOM

The side broom (Fig. 89) sweeping angle is not adjustable. However, the height of the side broom can be adjusted to compensate as the broom becomes worn from use. Always check and adjust the sweep pattern after changing the side broom.

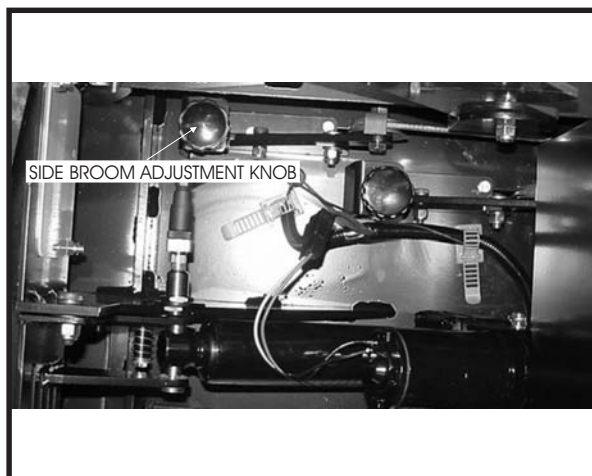


Fig. 90

ADJUSTING THE SIDE BROOM HEIGHT

Turn the side broom adjustment knob (Fig. 90) to change the side broom sweep height. Recheck for proper sweep pattern after adjustment.

Turn the adjustment knob counterclockwise to INCREASE the sweep pattern width.

Turn the adjustment knob clockwise to DECREASE the sweep pattern width.



Fig. 91

REPLACING THE SIDE BROOM

Change the side broom (Fig. 91) when the bristles become worn to less than 3 inches length.

1. Park the machine on a smooth level surface, turn key switch to "O" Position and engage parking brake.
2. Place the side brooms switch in the "UP" position.
3. Remove the lock pin that holds the broom flange to the motor shaft.
4. Disassemble the flange from the broom by removing the screws that hold the flange to the broom.
5. Assemble the flange to the replacement broom and fasten using the hardware removed.
6. Install the replacement broom on the shaft and insert the lock pin.



Fig. 92

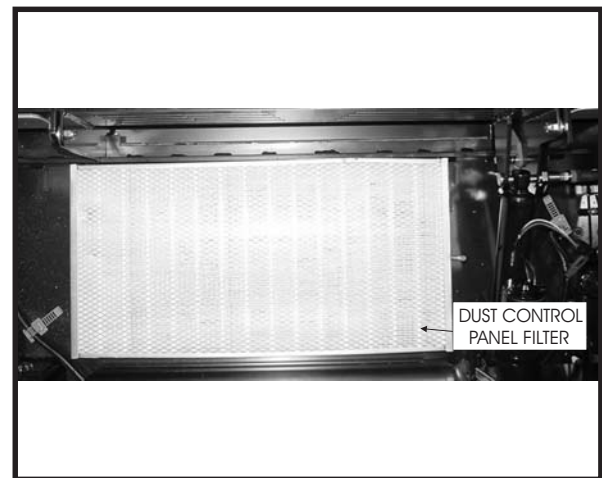


Fig. 93

HOPPER

The hopper (Fig. 92) houses the debris compartment, the dust control filter and the removable dust baffle. For maximum performance and service life, keep the hopper clean and inspect the seals and flaps daily. Clean the hopper prior to parking the sweeper at the end of the day. A clean hopper will make inspecting the flaps and seals much easier and will prevent premature deterioration of hopper components. Do not leave the hopper full of debris while in storage or when parked for extended periods of time. Once the hopper has been emptied the insides of the hopper should be rinsed out with water.

DUST CONTROL FILTER

The dust control filter (Fig. 93) should be checked daily for damage and cleaned if necessary. A damaged filter must be replaced to prevent damage to other dust control system components. Inspect the filter for tears in the filter media or excessive dirt lodged in the pleats. A tear in the filter media will allow dirt to pass through the filter and can be easily seen as a dirty patch on the top side on the filter. Cleaning of the filter is necessary when the filter shaker fails to adequately clean the pleats.

CHECKING THE DUST CONTROL FILTER

1. Park the machine on a smooth level surface, turn the key switch to the “O” position and engage the parking brake.
2. Raise the hopper lid for access to the filter compartment.
3. Turn the filter latch, lift the filter frame and remove the filter.
4. Inspect the panel filter for tears and clean or replace if necessary.
5. Reinstall the filter, lower the filter frame and engage the filter latch.
6. Close the hopper cover.

CLEANING THE DUST CONTROL FILTER

Clean the dust control filter when the shaker fails to adequately clear the filter. The filter can be cleaned with compressed air not to exceed 100 PSI. To clean the filter with compressed air, apply the compressed air to the top side of the panel to back flush the lodged dirt from the filter pleats. Be careful to not damage the filter media while cleaning. The filter can be cleaned with a solution of soap and water. If this cleaning method is used do not use the filter until it has completely dried.

REPLACING THE DUST CONTROL FILTER WHEN DAMAGE IS EVIDENT

1. Park the machine on a smooth level surface, turn the key switch to the “O” position and engage the parking brake.
2. Open the hopper compartment cover to gain access to the filter compartment.
3. Turn the latch on the hinged frame counterclockwise and lift the frame .
4. Remove the filter panel.
5. Install replacement filter, lower the hinged frame and engage the latch.
6. Lower the filter compartment cover.

MAINTENANCE

DUST FLAPS

The dust flaps are very important to sweeping and dust control and are susceptible to damage and should be inspected daily and maintained in good condition.

CHECKING THE DUST FLAPS

The dust flaps are used on the wheel well, broom chamber and broom door. Inspect the flaps daily and replace any flap that shows signs of wear or deterioration. All flaps should be replaced when worn or damaged to the point that they can no longer perform their normal function. The adjustable flaps have slotted mounting holes to facilitate adjustment.

ADJUSTING THE DUST FLAPS

Adjust the flaps so there is a 1/8" to 1/16" gap between the floor and the bottom edge of the flaps. The rear flap adjustment is 1/16" (16 cm.) above the floor.

1. Park the machine on a smooth level surface and engage the parking brake.
2. Loosen the flap retaining screws and adjust the flap to clear the floor and leave a 1/16" to 1/8" gap.
3. Tighten flap retaining screws while holding flap in position.
4. Drive the machine on a smooth surface and recheck the flaps for proper floor clearance.

FILLING THE HYDRAULIC RESERVOIR (Fig. 94)

1. Access to the hydraulic reservoir is located in the engine compartment.
2. Open the hydraulic reservoir breather filter cap.
3. Remove any debris that is in the breather filter cap screen.
4. Fill the reservoir until the fluid is at the "FULL" line on the hydraulic fluid sight gauge. The sight gauge is located on the center side of the hydraulic reservoir.
5. Close the hydraulic reservoir breather filter cap.
6. Close the engine compartment cover.

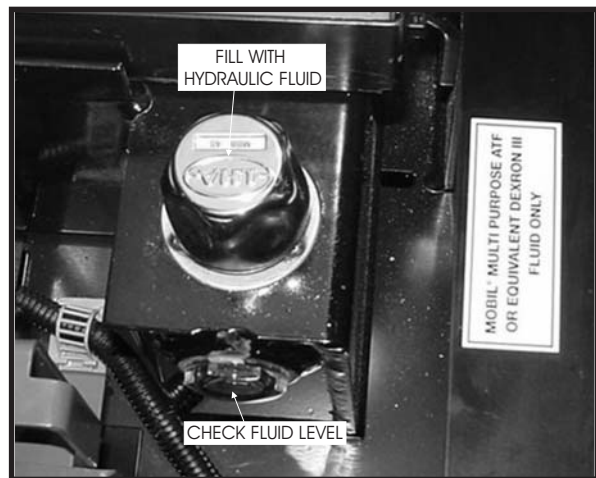


Fig. 94

CLEANING THE HYDRAULIC SYSTEM

1. Put a drop cloth on the floor.
2. Drive the machine onto the drop cloth.
3. Set the parking brake.
4. Open the hood.
5. Put a container under the reservoir drain to catch the reservoir fluid. Pivot the reservoir out.
6. Remove the drain plug. The reservoir fluid will drain. Do not use the drained fluid to refill the hydraulic reservoir. Dispose of the used fluid.
7. Flush the interior of the hydraulic reservoir with clean fluid.
8. Put the reservoir plug, removed in step six, back in the hydraulic tank drain and tighten it. A pipe thread sealer is required on the plug.
9. Open the breather filter cap.
10. Fill the reservoir with new MOBIL Multipurpose ATF or equivalent Dextron III. The capacity of the tank is 4.7 gal (17.79 liters). Fill to the "FULL" line on the hydraulic fluid sight gauge.
11. Close the breather filter cap.
12. Replace the hood.

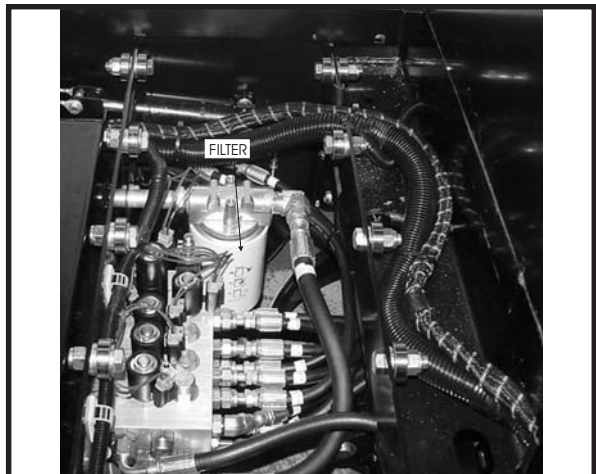


Fig. 95

REPLACING THE RETURN FILTER ELEMENT (Fig. 95)

1. Replace the return filter element after 250 hours of machine run time.
2. Unscrew the fasteners from the filter assembly cover and retain.
3. Remove the cover and the compression spring and retain.
4. Discard the old filter element.
5. Position the new filter element inside the filter body.
6. Put the compression spring in position. Wipe the cover magnet free of any metal filings or debris.
7. Place O-ring (moisten with clean hydraulic fluid) and cover into position.
8. Reattach fasteners to the filter cover.
9. Clean any hydraulic reservoir fluid spills. The fluid can damage painted surfaces of the machine.

<u>PROBLEM</u>	<u>PROBABLE CAUSE</u>	<u>REMEDY</u>
Machine moves slowly or erratically	<ol style="list-style-type: none"> 1. Battery charge low 2. Brakes dragging 3. Loose connection at foot pedal 4. Drive circuit overloaded 	<ol style="list-style-type: none"> 1. Change 2. Adjust 3. Repair 4. Remove obstruction, put drive pedal in neutral 5. Adjust
Machine does not move	<ol style="list-style-type: none"> 1. Blown fuse 2. Battery unplugged 	<ol style="list-style-type: none"> 1. Check fuse & replace if necessary 2. Plug in battery
Poor water pickup at squeegee	<ol style="list-style-type: none"> 1. Recovery tank full 2. Squeegee is worn or damaged 3. Clogged suction hose or pick-up tool 4. Loose connections between suction hose and squeegee 5. Vacuum motors not running 6. Plugged filter 7. Vacuum float cage clogged 8. Vacuum float shut off 9. Air leaks in suction hose and connection 10. Air leaks at recovery tank cover and/or manifold hose 11. Drain hose or drain plug leakage or not closed properly 	<ol style="list-style-type: none"> 1. Empty tank 2. Examine squeegee rubber blade for cuts or worn spots & replace if necessary 3. Disconnect suction hose from squeegee, flush squeegee & hoses 4. Check all hose connections for looseness or damage 5. Reset circuit breaker or repair loose connection 6. Clean filter element in vacuum manifold 7. Clean perforated metal thoroughly 8. Excessive solution in recovery tank. Excessive foam buildup, change cleaning chemical mixture (use A-L approved materials) 9. Repair or replace hose and connection 10. Repair or replace seal or hose 11. Close, repair, or replace drain plug in recovery tank
Water spills from squeegee	<ol style="list-style-type: none"> 1. Side squeegee blades have poor contact with floor 2. Squeegee blades worn or damaged 3. Too much solution being applied before making turns 4. Brushes rotating opposite direction 	<ol style="list-style-type: none"> 1. Readjust blades for proper contact 2. Replace & adjust 3. Shut off solution flow 5-10 ft. Before turning 4. Check switch positions
Squeegee leaves wet spots	<ol style="list-style-type: none"> 1. Lift actuator out of adjustment 2. Squeegee wheels out of adjustment 	<ol style="list-style-type: none"> 1. Adjust 2. Adjust
Squeegee makes excessive noise	<ol style="list-style-type: none"> 1. Blades worn or damaged 	<ol style="list-style-type: none"> 1. Replace

TROUBLESHOOTING

<u>PROBLEM</u>	<u>PROBABLE CAUSE</u>	<u>REMEDY</u>
Poor scrubbing action	<ol style="list-style-type: none"> 1. Worn scrubbing brushes 2. Incorrect method of operation 3. Wrong cleaning agent or mixture 4. Poor solution distribution 5. Brushes won't turn 	<ol style="list-style-type: none"> 1. Inspect brushes. Replace if brushes are worn to 3/4" or less. 2. Check scrubbing procedure, brush pressure, solution flow & cleaning agent used - all are important to the process 3. Use A-L recommended materials 4. Check solution strainer & feed hoses for obstructions - clean if necessary. Check valve & rest of solution control system for proper operation. 5. Check wiring connections
Water splashes from sides of scrub deck	<ol style="list-style-type: none"> 1. Scrub deck bumpers, poor contact with floor 2. Squeegee blades worn or damaged 3. Too much solution 	<ol style="list-style-type: none"> 1. Readjust blades for proper contact 2. Replace & adjust 3. Shut off solution flow 5-10 ft. before making turns
Poor sweeping	<ol style="list-style-type: none"> 1. Broom jammed 2. Hopper full 3. Broom not adjusted properly 4. Worn or damaged flaps 5. Worn broom 	<ol style="list-style-type: none"> 1. Remove any obstruction 2. Empty 3. Refer to broom adjustment in maintenance section 4. Inspect for damage - replace or adjust by referring to maintenance section 5. Inspect for damage or wear - refer to maintenance section
Sweep does not function	<ol style="list-style-type: none"> 1. Hopper is raised 2. Hopper switch out of adjustment 	<ol style="list-style-type: none"> 1. Lower hopper 2. Adjust hopper switch
Poor dust control at main broom	<ol style="list-style-type: none"> 1. Broom chamber & hopper flaps worn 2. Impellor fan failure - shaft key broken or electric motor not operating 3. Filter plugged 	<ol style="list-style-type: none"> 1. Check condition of flaps. Replace torn or badly worn flaps. Side flaps can be adjusted or not damaged. 2. Check & repair 3. Engage shaker switch or check filter
Hopper will not lift	<ol style="list-style-type: none"> 1. Load too heavy 2. Defective lift actuator 	<ol style="list-style-type: none"> 1. Low dump partial load 2. Repair or replace actuator

A	
ACCESS PANELS.....	65
B	
BATTERY ROLLOUT	78
BRAKE ASSEMBLY	18
D	
DECALS	80
DRIVE WHEEL ASSEMBLY	14
DUST CONTROL	54
E	
ELECTRICAL/CONNECTION DIAGRAMS	72
ELECTRICAL/HARNESS ROUTING	76
ELECTRICAL/SCHEMATIC	71
ELECTRICAL/SCRUB DECK CONNECTION DIAGRAM.....	77
F	
FORWARD/REVERSE ASSEMBLY	22
FRONT COVER & LATCHES.....	60
FRONT WHEEL ASSEMBLY.....	16
H	
HOPPER ASSEMBLY	52
HORN ASSEMBLY	64
HYDRAULIC CONNECTION DIAGRAM.....	86
HYDRAULICS/LOW DUMP CYLINDER	89
HYDRAULIC MANIFOLD CONNECTIONS.....	70
HYDRAULICS/MAIN BROOM MOTOR	91
HYDRAULICS/REAR SQUEEGEE LIFT CYLINDER.....	90
HYDRAULICS SCHEMATIC	70.5
HYDRAULICS/40" SCRUB DECK LIFT CYLINDER	92
HYDRAULICS/46" SCRUB DECK LIFT CYLINDER	93
HYDRAULICS/STEERING CYLINDER & PUMP	88
HYDRAULICS SYSTEM.....	84
I	
INSTRUMENT PANEL.....	66
M	
MAIN BROOM.....	6
MAIN FRAME, BROOM BAFFLE & FLAPS	2
P	
POWER PANEL.....	68
POWER STEERING.....	20
R	
REAR SQUEEGEE (40").....	44
REAR SQUEEGEE (46").....	46
RECOVERY TANK	28
S	
SCRUB DECK (40")	30
SCRUB DECK LIFT (40")	32
SCRUB DECK & LIFT (46").....	36
SCRUB DECK SOLUTION FEED HOSES (40").....	34
SCRUB DECK SOLUTION FEED HOSES (46").....	40
SEAT ASSEMBLY.....	62
SIDE BROOM.....	10
SIDE SQUEEGEE (40")	50
SIDE SQUEEGEE (46")	51
SOLUTION CONTROL.....	24
SOLUTION TANK.....	26
SQUEEGEE LIFT	42
SWING SQUEEGEE SUPPORT.....	48
V	
VACUUM MANIFOLD ASSEMBLY.....	58

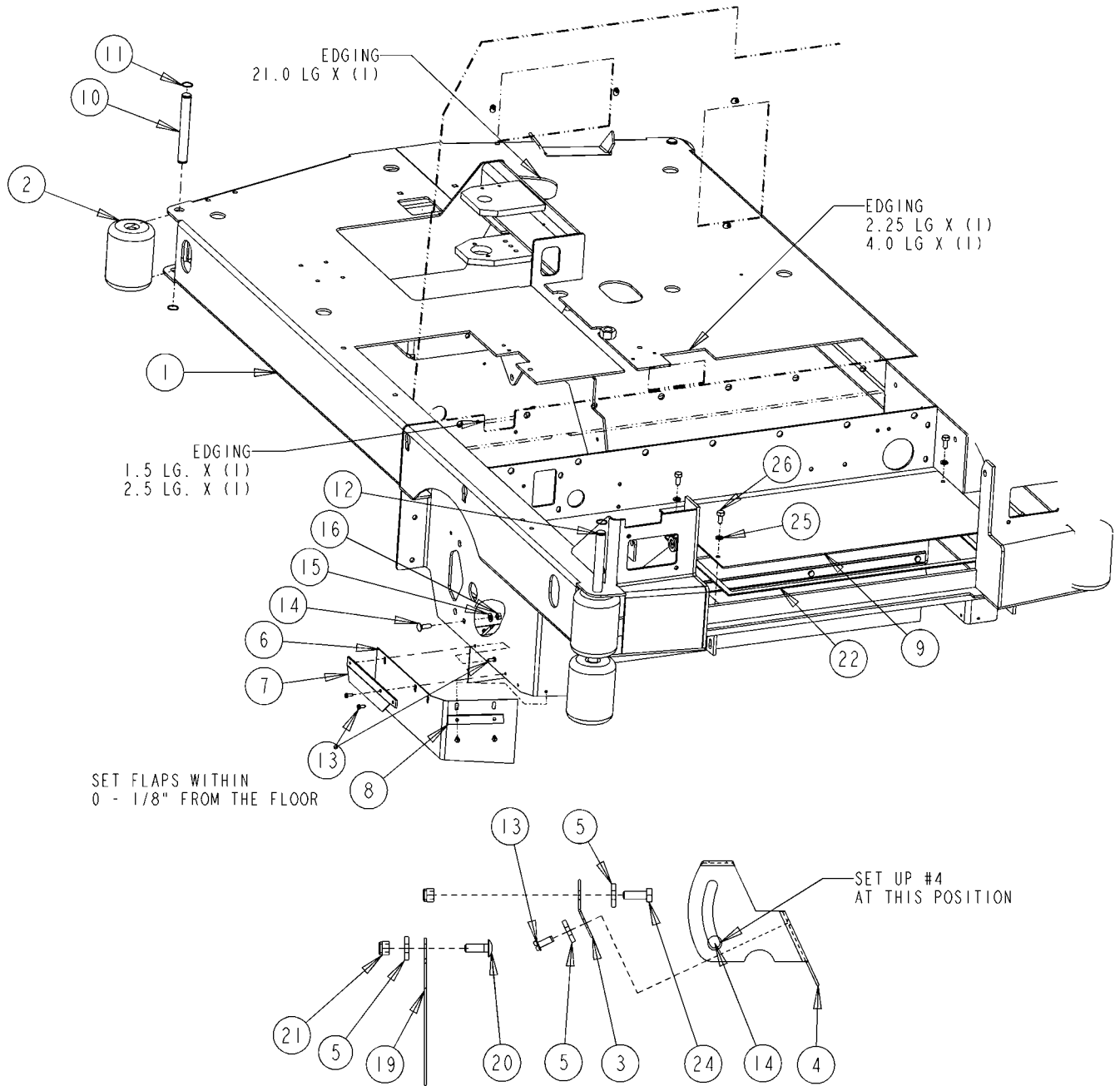
MAIN FRAME, BROOM BAFFLE & FLAPS

<u>KEY NO.</u>	<u>QTY</u>	<u>PART NUMBER</u>	<u>DESCRIPTION</u>
1	1	7-27-07224	MAIN FRAME WELDMENT
2	5	7-66-05011-1	ROLLER, BUMPER
3	1	7-32-00042	HINGE, M.B. BAFFLE
4	1	7-05-01003	BAFFLE, MAIN BROOM
5	3	7-13-07203	CLAMP, MB CHAMBER (rear flap)
6	1	7-25-08088	FLAP, MB RIGHT SIDE
7	1	7-13-07207	CLAMP, FLAP (left)
8	1	7-13-07206	CLAMP, FLAP (RH front)
9	1	7-16-07418	COVER, DUST COVER
10	3	7-70-05175	PIN-ROLLER BUMPER
11	8	2-00-00540	RING, RET. EXT. #5100-75, 3/4 D.
12	1	7-70-05188	PIN, ROLLER BUMPER (SB)
13	10	2-00-03940	SCREW, T/C HH #10-24 x .50 LG
14	1	2-00-00196	BOLT, CARR, .31-18 X 1 GR 5 ZN
15	1	2-00-00409	FLAT WASHER, .687 x .344 x .062
16	1	2-00-00644	HEX NUT, INSERT FIBER, 5/16-18
17#			Intentionally Omitted
18#			Intentionally Omitted
19	1	7-25-08091	FLAP, MB REAR
20	5	2-00-03575	BOLT, CARR, .25-20 x .75 GR5 ZN
21	10	2-00-00641	NUT, FIBER INSERT 1/4-20
22	1	7-29-00263	GASKET, DUST CONTROL
23#			Intentionally Omitted
24	5	2-00-00221	HEX BOLT, FINISHED, 1/4-20 x 3/4 lg
25	4	2-00-00530	LOCK WASHER, 5/16"
26	4	2-00-00208	SCREW, 5/16-18 x .750 HHC

= Revised or new since last update

c1019/0403

MAIN FRAME, BROOM BAFFLE & FLAPS



C1019/0403

MAIN FRAME, BROOM BAFFLE & FLAPS CON'T.

<u>KEY NO.</u>	<u>QTY</u>	<u>PART NUMBER</u>	<u>DESCRIPTION</u>
1	1	7-25-08089	FLAP, MB (LEFT)
2	1	7-13-07204	CLAMP, FLAP (LEFT)
3	6	2-00-03940	SCREW, T/C HH #10-24 x .50 LG
4	1	7-32-00039	HINGE, BROOM DOOR
5#	1	56109302	PANEL, BROOM DOOR
6	1	2-00-03750	BOLT, CARRIAGE, 3/8-16 x 1.5"
7	3	2-00-03702	WASHER, .625 x .281 x .063
8	3	2-00-00641	NUT, FIBER INSERT 1/4-20
9	6	2-00-00409	FLAT WASHER, .687 x .344 x .062
10	3	2-00-00644	HEX NUT, INSERT FIBER, 5/16-18
11	3	2-00-00208	SCREW, 5/16-18 x .750 HHC
12	1	25201A	KNOB
13	1	7-25-08090	FLAP, MB DOOR PANEL
14	1	7-13-07205	CLAMP, FLAP (PANEL)
15	1	2-00-01676	FLAT WASHR, 1.063x.266x.063 STL
16	3	2-00-03575	BOLT, CARR, .25-20 x .75 GR5 ZN

= Revised or new since last update

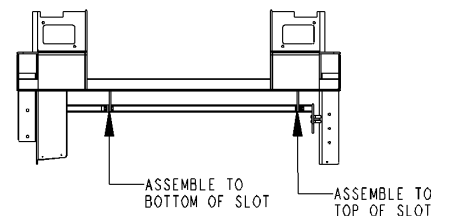
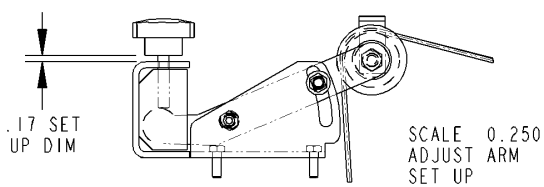
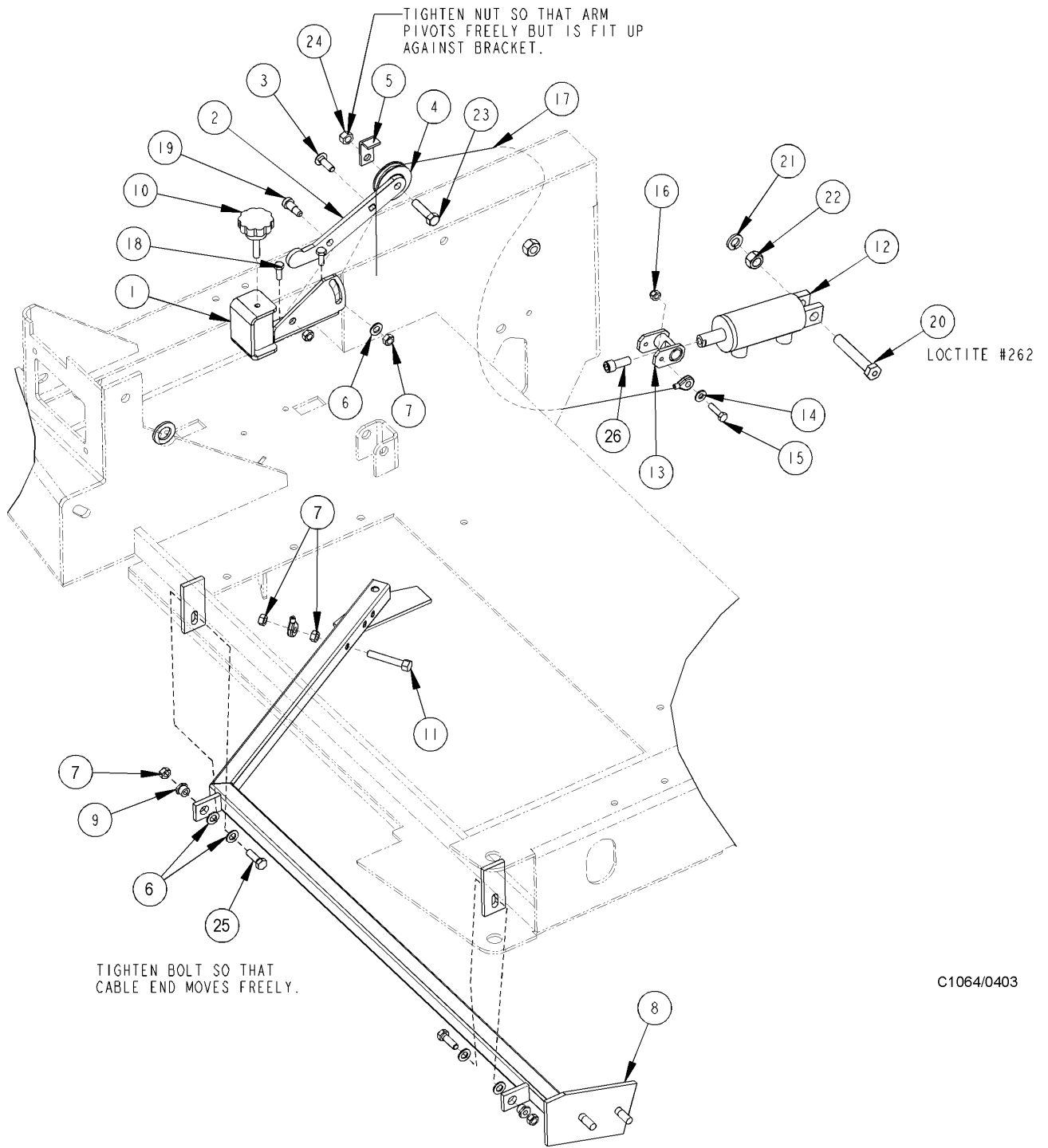
c1020/0403

MAIN BROOM (& LIFT)

<u>KEY NO.</u>	<u>QTY</u>	<u>PART NUMBER</u>	<u>DESCRIPTION</u>
1	1	7-08-01012	BRACKET, MB/SB BROOM ADJ.
2	1	7-03-04207	ARM, MB/SB BROOM ADJ.
3	1	2-00-00196	BOLT, CAR, .31-18 x 1 GR 5 ZN
4	1	7-60-00160	PULLEY, CABLE
5	1	7-13-07130	CLIP, CABLE RET.
6	5	2-00-00409	FLAT WASHER, .687 x .344 x .062
7	6	2-00-00644	HEX NUT, INSERT FIBER 5/16-18
8	1	7-03-04191	ARM ASSY., MAIN BROOM
9	2	7-23-03056	NUT
10	1	7-39-00032	KNOB, 5/16 x 2
11	1	2-00-00218	HEX BOLT, 5/16-18
12	1	7-17-05022	CYLINDER, BROOM
13	1	7-14-01022	CLEVIS, BROOM
14	1	2-00-03702	WASHER, .625 x .281 x .063
15	1	2-00-00205	HEX BOLT, FIN., 1/4-20
16	1	2-00-00641	NUT, FIBER INSERT 1/4-20
17	1	7-10-00041	CABLE, MAIN BROOM
18	2	2-00-00221	HEX BOLT, FIN., 1/4-20x3/4 LG
19	1	2-00-05455	SCREW, 3/8 SHLDR 1/2LG 5/16-18
20	1	2-00-02616	BOLT-HEX HEAD, FINISHED, 1/2-13
21	1	2-00-02312	WASHER, 1/2" LOCK
22	1	2-00-00596	NUT, HEX HEAD 1/2-13 X .44 LG
23	1	2-00-00234	SCREW, 3/8-16 x 1-1/2 HHC
24	1	2-95-04182	HEX STOP NUT, 3/8-16
25	2	2-00-05356	5/16-18 x 1.25, HEX HEAD SCREW
26	1	2-00-05473	SCREW-HSHC 3/8-24 X 1.00

c1064/0403

MAIN BROOM (& LIFT)

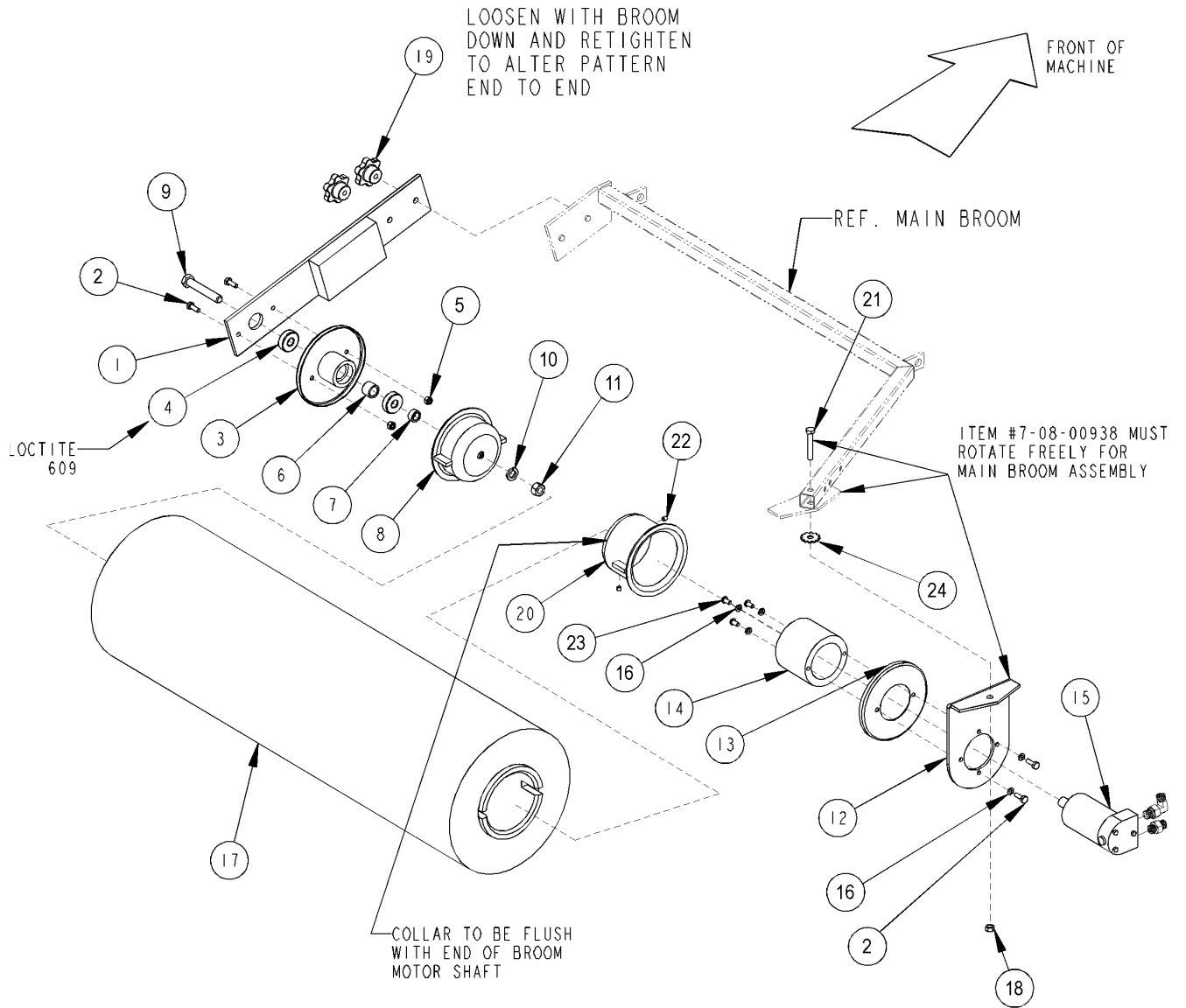


MAIN BROOM (MOTOR)

<u>KEY NO.</u>	<u>QTY</u>	<u>PART NUMBER</u>	<u>DESCRIPTION</u>
1	1	7-03-04190	ARM, MAIN BROOM
2	4	2-00-00221	HEX BOLT, FIN., 1/4-20 x 3/4 LG
3	1	8-30-05112	GUARD
4	2	2-00-03306	BALL BEARING
5	2	2-00-00641	NUT, FIBER INSERT 1/4-20
6	1	8-75-01147	SPACER, MB IDLER
7	1	2-00-03158	SPACER
8	1	8-33-09059	HUB, IDLER (WELDMENT)
9	1	2-00-02616	HEX BOLT, FIN., 1/2-13
10	1	2-00-02312	LOCK WASHER, 1/2"
11	1	2-00-00596	HEX NUT, 1/2-13 x .44 LG
12	1	7-08-00938	BRACKET, MAIN BROOM
13	1	8-30-05116	GUARD, THREAD
14	1	8-33-05086	HOUSING, MB MOTOR WELDMENT
15	1	0885-078	HYD. MOTOR (BROOM DRIVE)
16	5	2-00-00518	LOCK WASHER, 1/4" HEL. SPRNG
17	1	8-08-03137	MAIN BROOM
18	1	2-00-00644	HEX NUT, INSERT FIBER 5/16-18
19	2	25201A	KNOB
20	1	8-33-09062	HUB, MB (WELDMENT)
21	1	2-00-00218	BOLT-HEX HEAD, 5/16-18
22	2	2-00-00263	Set Scr-HS Knurled Cup PT. #10-24 x 3/8
23	3	2-00-04750	SCREW-SOCKET, BUTTON HEAD, 1/4-2
24	1	2-00-03829	LOCK WASHER, 3/8 INT./EXT. TOOTH

c1065/0403

MAIN BROOM (MOTOR)

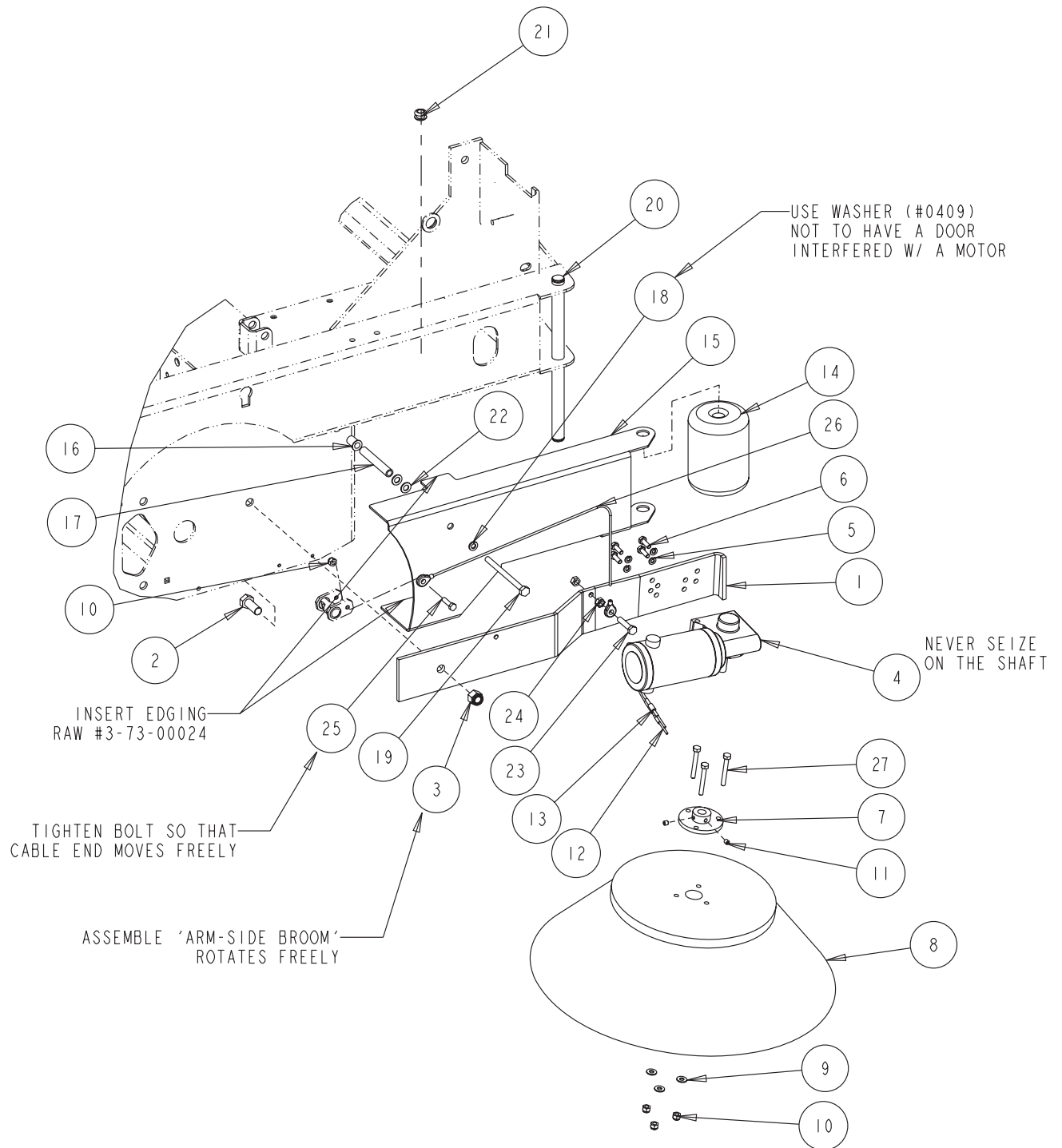


C1065/0403

SIDE BROOM

<u>KEY NO.</u>	<u>QTY</u>	<u>PART NUMBER</u>	<u>DESCRIPTION</u>
1	1	7-03-04189	ARM, SIDE BROOM
2	1	2-00-00240	SCREW, 1/2-13 x 1.250 HHC
3	1	2-00-04936	LOCK NUT, ELASTIC, 1/2-13
4	1	0885-082	MOTOR GEAR UNIT, SB (36V) (Motor brush: 0875-134/4 required)
5	4	2-00-00518	LOCK WASHER, 1/4" HEL. SPRNG
6	4	2-00-00221	HEX BOLT, FIN., 1/4-20 x 3/4 LG
7	1	7-25-06035	FLANGE, BROOM MOUNT
8	1	8-08-03215	SIDE BROOM
9	3	2-00-03702	WASHER, .625 x .281 x .063
10	4	2-00-00641	NUT, FIBER INSERT 1/4-20
11	2	2-00-00263	SET SCREW, HS KNURLED CUP PT. #10-24 x 3/8
12	1	2-00-04578	TERMINAL (.156 MALE)
13	1	2-00-04626	TERMINAL (.156 FEMALE)
14	1	7-66-05011-1	ROLLER, BUMPER
15	1	7-16-07413	COVER, SIDE BROOM
16	1	2-00-05330	THREADED INSERT, 5/16-18
17	1	7-75-01194	SPACER, SB COVER
18	1	2-00-00530	LOCK WASHER, 5/16"
19	1	2-00-02655	HEX BOLT, FIN., 5/16-18
20	1	7-70-05188	PIN, ROLLER BUMPER
21	1	2-00-01915	GROMMET
22	2	2-00-00409	FLAT WASHER, .687 x .344 x .062
23	1	2-00-00225	SCREW, 5/16-18 x 1.5 HHC
24	2	2-00-00644	HEX NUT, INSERT FIBER 5/16-18
25	1	2-00-00205	HEX BOLT, FIN., 1/4-20
26	1	7-10-00042	CABLE, SIDE BROOM
27	3	2-00-02589	SCREW, 1/4-20 x 2.000 HHC

c1056/0403

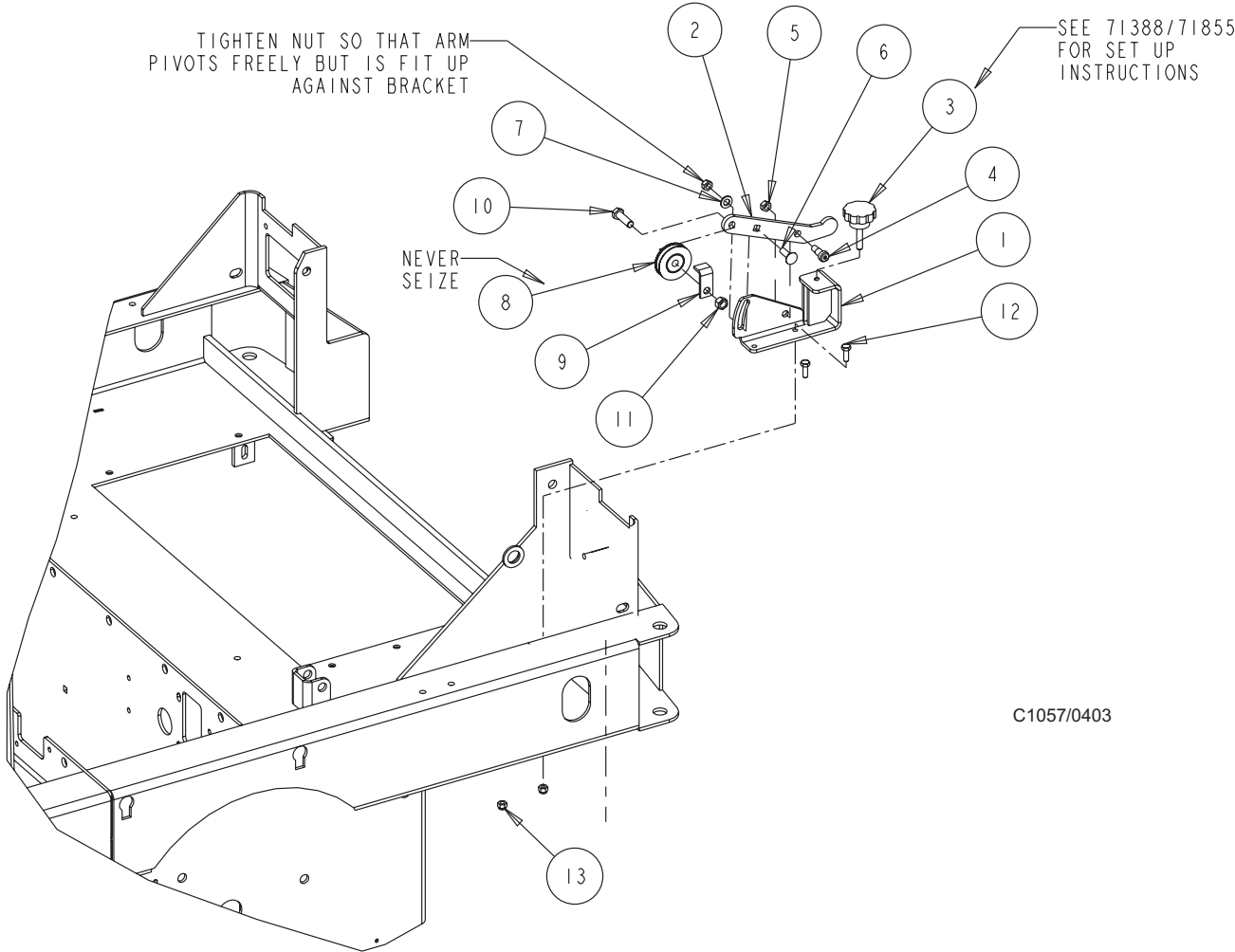


C1056/0403

SIDE BROOM CON'T.

<u>KEY NO.</u>	<u>QTY</u>	<u>PART NUMBER</u>	<u>DESCRIPTION</u>
1	1	7-08-01012	BRACKET, MAIN/SIDE BRM. ADJ.
2	1	7-03-04207	ARM, MAIN/SIDE BROOM ADJ.
3	1	7-39-00032	KNOB, 5/16X2
4	1	2-00-05455	SCREW, 3/8 SHLDR, 1/2LG 5/16-18
5	2	2-00-00644	HEX NUT, INSERT FIBER 5/16-18
6	1	2-00-00196	BOLT, CAR, .31-18 X 1 GR 5 ZN
7	1	2-00-00409	FLAT WASHER, .687 x .344 x .062
8	1	7-60-00160	PULLEY, CABLE
9	1	7-13-07130	CLIP, CABLE RET.
10	1	2-00-00209	HEX BOLT, 3/8-16
11	1	2-95-04182	HEX NUT, STOP 3/8-16
12	2	2-00-00221	HEX BOLT, FIN., 1/4-20 x 3/4 LG
13	2	2-00-00641	NUT, FIBER INSERT 1/4-20

C1057/0403

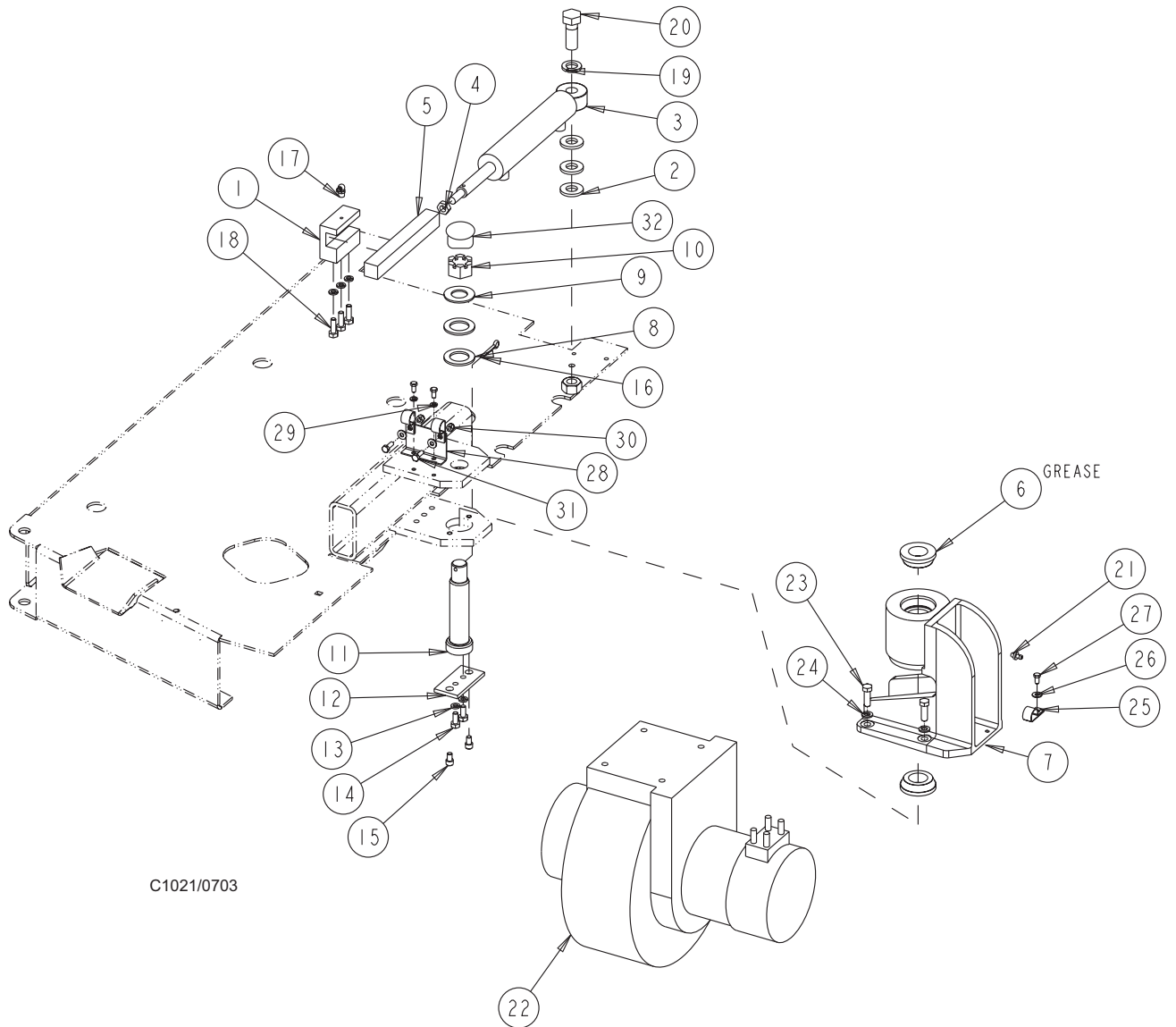


REAR DRIVE WHEEL ASSEMBLY

<u>KEY NO.</u>	<u>QTY</u>	<u>PART NUMBER</u>	<u>DESCRIPTION</u>
1	1	7-30-08015	GUIDE, RACK
2	3	8-75-01163	SPACER
3	1	7-17-05010-1	CYLINDER, POWER STEERING
4	1	2-00-00591	NUT, HEX JAM, 1/2-20
5	1	7-62-00006	RACK
6	2	2-00-02079	ROLLER BEARING
7	1	7-81-00263	SUPPORT, WHEEL
8	2	8-75-01136	WASHER, THRUST
9	1	2-00-05024	WASHER, FLAT
10	1	2-00-05026	NUT, SLOTTED HEAD
11	1	8-55-08131	PIN, PIVOT
12	1	7-13-07176	CLAMP, PIVOT PIN
13	5	2-00-00530	LOCK WASHER, 5/16"
14	2	2-00-00208	SCREW, 5/16-18 x .750 HHC
15	2	2-00-03335	SCREW, SHCS 5/16-18 x .50
16	1	2-00-02436	PIN, COTTER
17	1	2-00-02557	GREASE FITTING
18	3	2-00-02708	HEX SCREW, 5/16-18 x 1"
19	1	2-00-00522	LOCK WASHER
20	1	2-00-05341	SCREW, HHC .75-10 x 2 GR5 ZN
21	1	2-00-00566	FITTING, LUB, STRAIGHT, 1/8 NPT
22	1	0785-092	DRIVE WHEEL (Service: Tire Only 7-85-06018) (Motor brush kit: 0780-617)
23	4	2-00-05922	HEX BOLT, M10-1.5 X 30mm LG
24	4	2-00-05042	LOCK WASH., HEL. SPRING, M10
25	3	2-00-04564	CLAMP, CABLE
26	3	2-00-03702	WASHER, .625 x .281 x .063
27	3	2-00-00219	HEX BOLT, FINISHED, 1/4-20
28	1	7-08-01148	BRACKET, DRV. ELEC.HARN. MTG
29	2	2-00-00518	LOCK WASHER, 1/4" HEL. SPRING
30	2	2-00-00641	NUT, FIBER INSERT 1/4-20
31	2	2-00-00221	HEX BOLT, FIN., 1/4-20 x 3/4 LG
32	1	7-11-00048	CAP, 7/8 HEX NUT

c1021/0703

REAR DRIVE WHEEL ASSEMBLY



C1021/0703

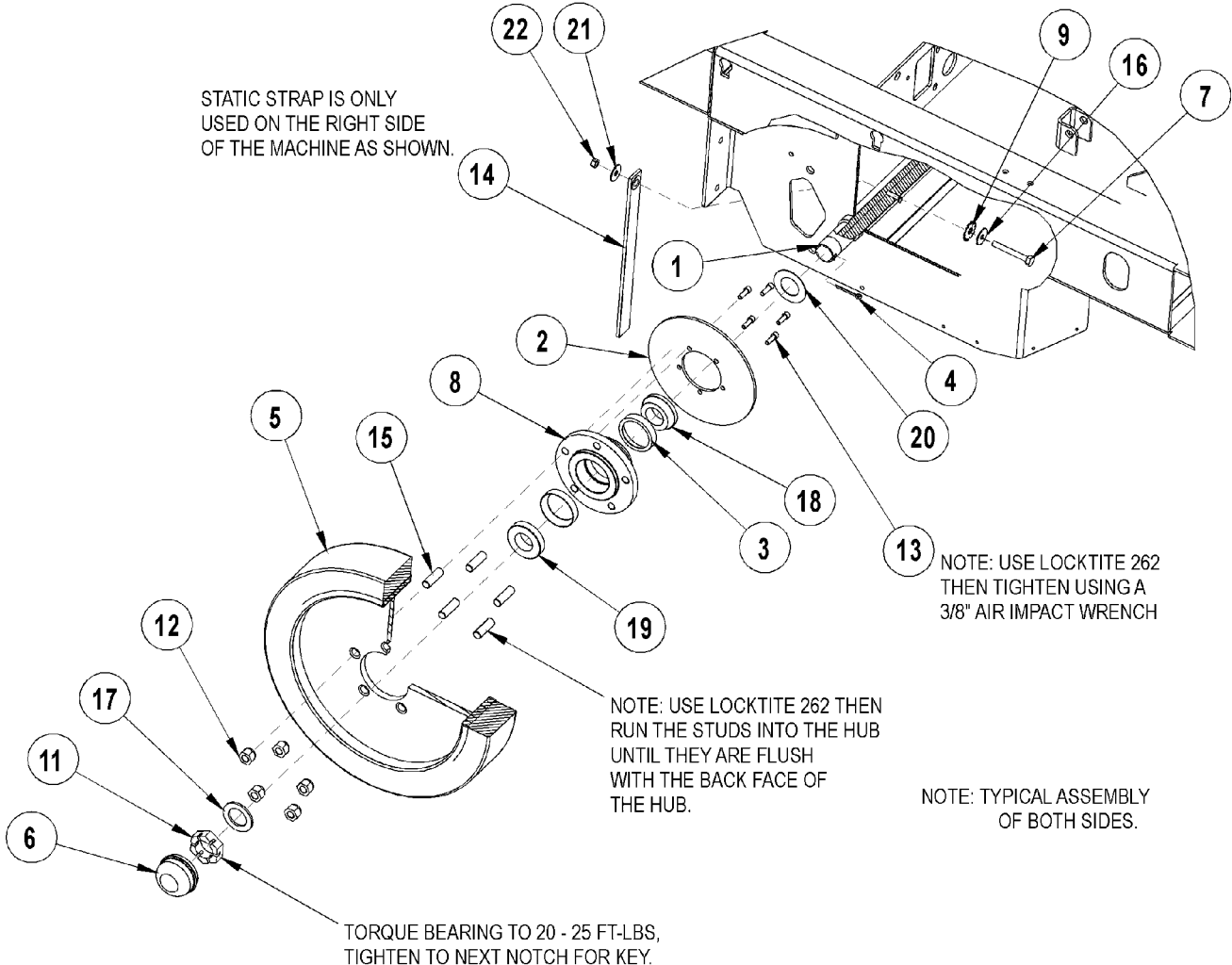
FRONT WHEEL ASSEMBLY

<u>KEY NO.</u>	<u>QTY</u>	<u>PART NUMBER</u>	<u>DESCRIPTION</u>
1	1	7-03-09014	Axle, Front Wheels
2	1	7-08-02007	Brake Disc
3	4	2-00-04621	Brg, Outer Race (Cup Only)
4	2	2-00-00776	Cotter Pin (1/8 Dia X 1-1/2 Lg.)
5	2	7-89-08044	Wheel, Front Molded 16" Dia
6	2	8-11-00030	Grease Cap
7	2	2-00-00228	Screw, 5/16-18 X 2.50 Hex
8	2	7-33-09027	Hub, Front Wheel
9	2	2-00-03829	Lock Washer, 3/8 Int/Ext Tooth
10#			Intentionally Omitted
11	2	8-23-03056	Nut, Special
12	10	8-23-03065	Nut, Wheel
13	5	2-00-03051	Screw, Shcs 1/4-20 X .75
14#	1	56416517	Strap, Static
15	10	8-80-05036	Stud
16	3	2-00-01803	Washer, .328 X 1.06 X .06
17	2	8-75-01136	Thrust Washer
18	2	2-00-02079	Bearing, Roller
19	2	2-00-04622	Bearing (Unsealed)
20	2	2-00-03797	Axle Spacer Washer
21#	1	2-00-03266	Fan Washer
22#	1	2-95-04182	Nut, Hex Stop, 3/8-16

= Revised or new since last update

71803/8-06

FRONT WHEEL ASSEMBLY



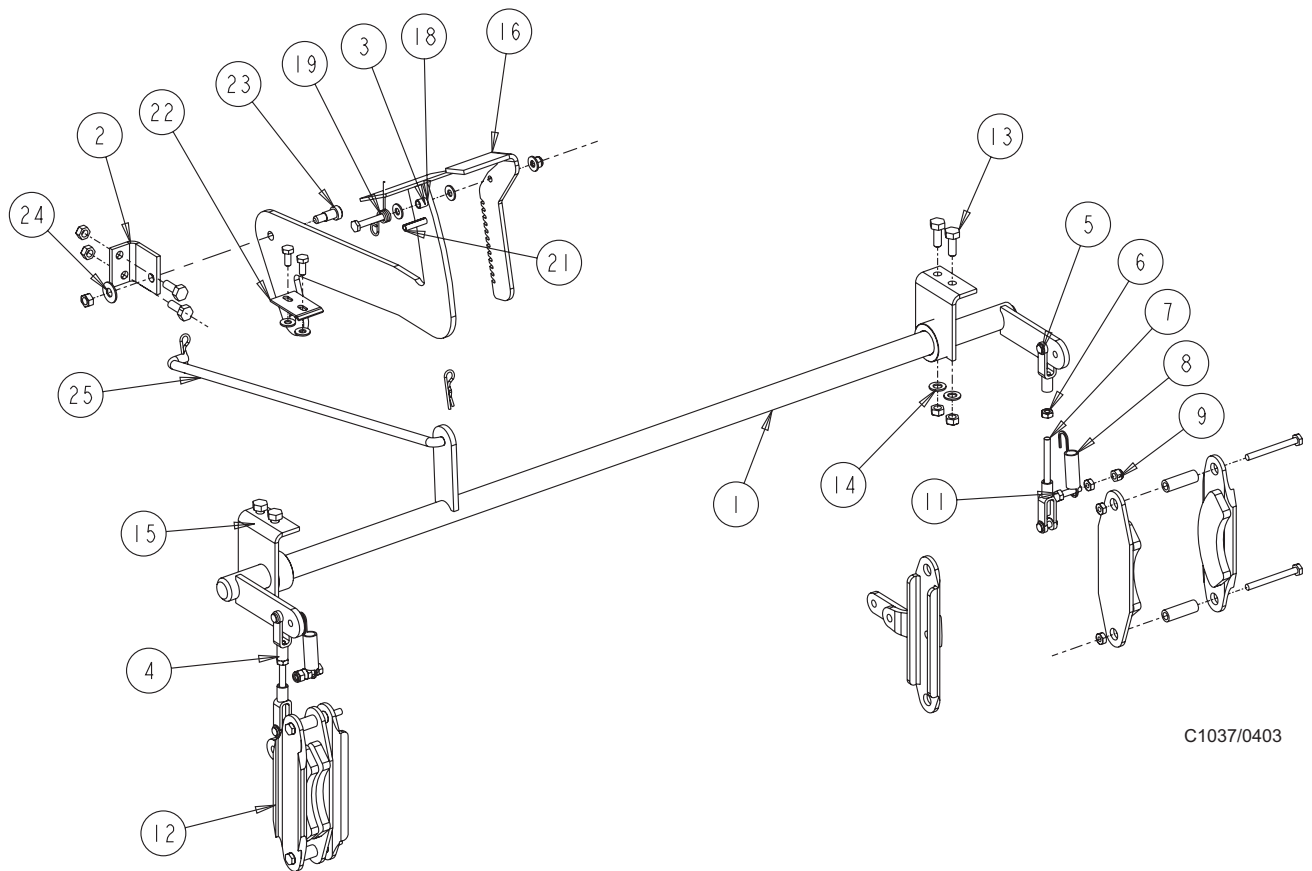
71803/revC

BRAKE ASSEMBLY

<u>KEY NO.</u>	<u>QTY</u>	<u>PART NUMBER</u>	<u>DESCRIPTION</u>
1	1	7-55-00033	BRAKE SHAFT WELDMENT
2	1	7-08-07101	BRACKET, BRAKE PIVOT
3	1	7-55-00034	BRAKE PEDAL WELDMENT
4	4	8-14-01006	CLEVIS
5	4	2-00-04909	PIN, 1/4 x 3/4 LG
6	2	2-95-01999	HEX JAM NUT, 1/4-28
7	2	7-66-00192	ROD, BRAKE LINK.
8	2	7-76-00051	SPRING
9	3	2-00-00641	NUT, FIBER INSERT 1/4-20
10	2	2-00-00594	HEX NUT, 1/4-20
11	2	2-00-00205	HEX BOLT, FIN., 1/4-20
12	2	7-08-02008	BRAKE CALIPER WELDMENT
13	6	2-00-01255	HEX SCREW, 5/16-18 x 7/8 LG
14	4	2-00-00409	FLAT WASHER, .687 x .344 x .062
15	7	2-00-00644	HEX NUT, INSERT FIBER 5/16-18
16	1	7-55-00035	ARM, PARKING BRAKE PEDAL
17	5	2-00-03702	WASHER, .625 x .281 x .063
18	1	8-09-01069	SPACER, .259 IDx.355 ODx.375 LG
19	1	7-76-00013	SPRING, SQGE. RELEASE PEDAL
20	1	2-00-04966	SCREW, 1/4-20 x 1.50 HHM
21	1	2-00-03635	PIN, ROLL
22	1	8-13-07067	CLIP, PARKING BRAKE
23	2	2-00-00220	SCREW, 1/4-20 x .625 HHC
24	1	2-00-05455	SCREW, 3/8 SHLDR. 1/2LG 5/16-18
25	1	2-00-00410	FLAT WASHER, .875 x .375 x .060
26	1	7-42-05184	LINK, BRAKE
27	2	2-00-05503	HAIRPIN, COTTER

C1037/0403

BRAKE ASSEMBLY



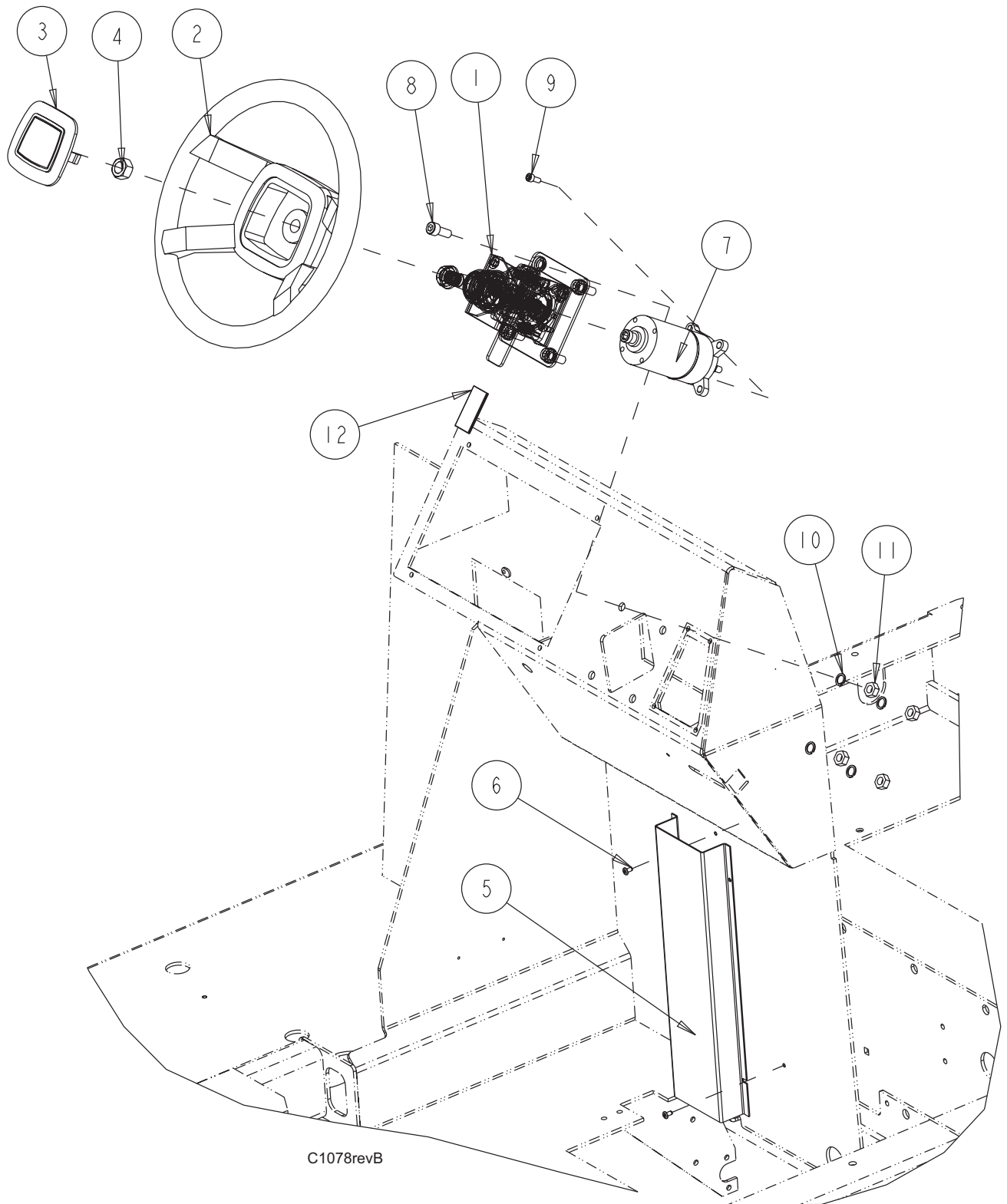
C1037/0403

POWER STEERING

<u>KEY NO.</u>	<u>QTY</u>	<u>PART NUMBER</u>	<u>DESCRIPTION</u>
1	1	7-70-05207	SHAFT, COLUMN TILT
2#	1	56418460	STEERING WHEEL (KELCH)
3	1	7-16-07428	COVER, STEERING WHEEL
4	1	2-00-05433	HEX NUT, M16 x 1.50 x 13mm
5	1	7-16-07427	COVER, HYDRAULIC HOSE
6	2	962987	SCREW, 10-24 x 3/8
7	1	7-60-05045	PUMP, STEERING
8	4	2-00-05901	SCREW, HSHC M10 x 1.25 x 25mm BL OX
9	4	2-00-05902	SCREW, HSHC M6 x 1 x 15mm BL OX
10	4	2-00-02311	LOCK WASHER, 7/16 MEDIUM
11	4	2-00-04959	NUT, 10mm x 1.25
12	1	7-31-06083	GRIP, HANDLE

= Revised or new since last update

c1078revB/4-04



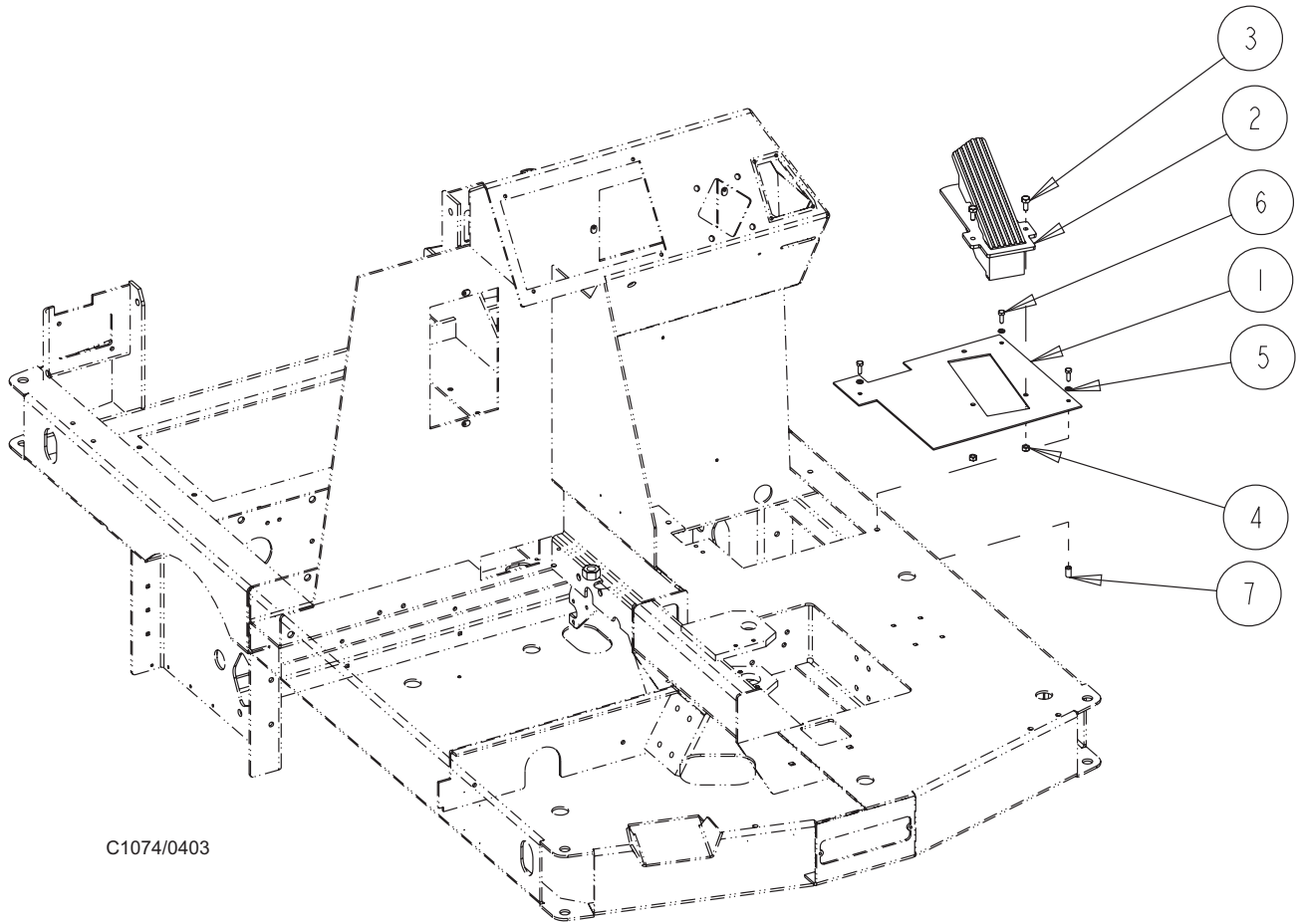
C1078revB

FORWARD/REVERSE ASSY.

<u>KEY NO.</u>	<u>QTY</u>	<u>PART NUMBER</u>	<u>DESCRIPTION</u>
1	1	7-58-05326	PLATE, FLOOR
2	1	7-55-00038	PEDAL, FWD/REV
3	3	2-00-00208	SCREW, 5/16-18 x .750 HHC
4	3	2-00-00644	HEX NUT, INSERT FIBER 5/16-18
5	3	2-00-00518	LOCK WASHER, 1/4" HEL. SPRNG
6	3	2-00-00221	HEX BOLT, FIN., 1/4-20 x 3/4 LG
7	3	2-00-05261	THREADED INSERT, 1/4-20

c1074/0403

FORWARD/REVERSE ASSY.

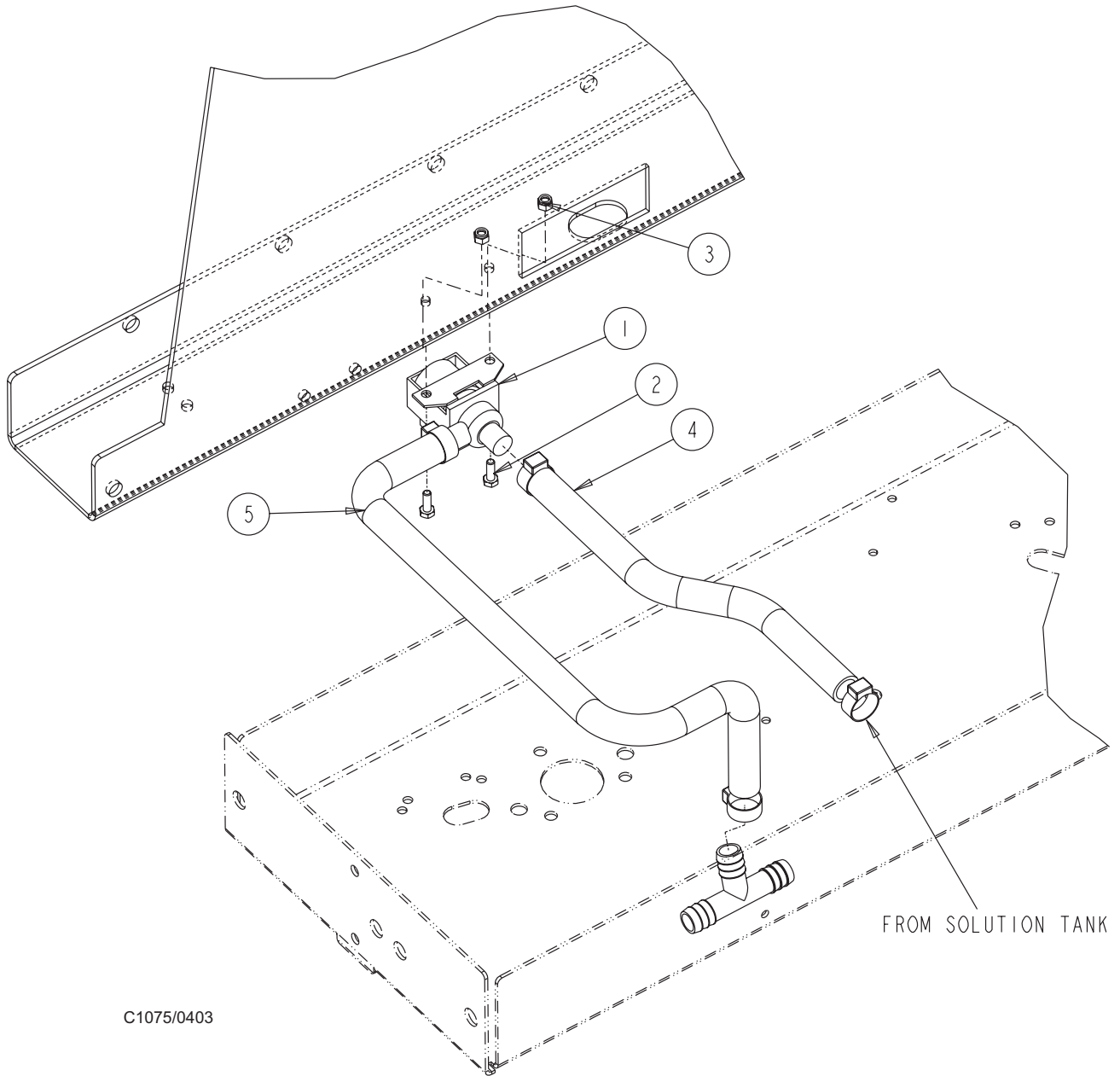


C1074/0403

SOLUTION CONTROL

<u>KEY NO.</u>	<u>QTY</u>	<u>PART NUMBER</u>	<u>DESCRIPTION</u>
1	1	7-88-00073	VALVE, SOLUTION (36VDC)
2	2	2-00-00221	HEX BOLT, FIN., 1/4-20 x 3/4 LG
3	2	2-00-00641	NUT, FIBER INSERT 1/4-20
4	1	7-33-02483	HOSE, 3/4" ID HEATER x 16" LG
5	1	7-33-02410	HOSE, SOLUTION FEED, 22" LG
6	4	2-00-03407	CLAMP, HOSE, WITTECK #10P

c1075/0403

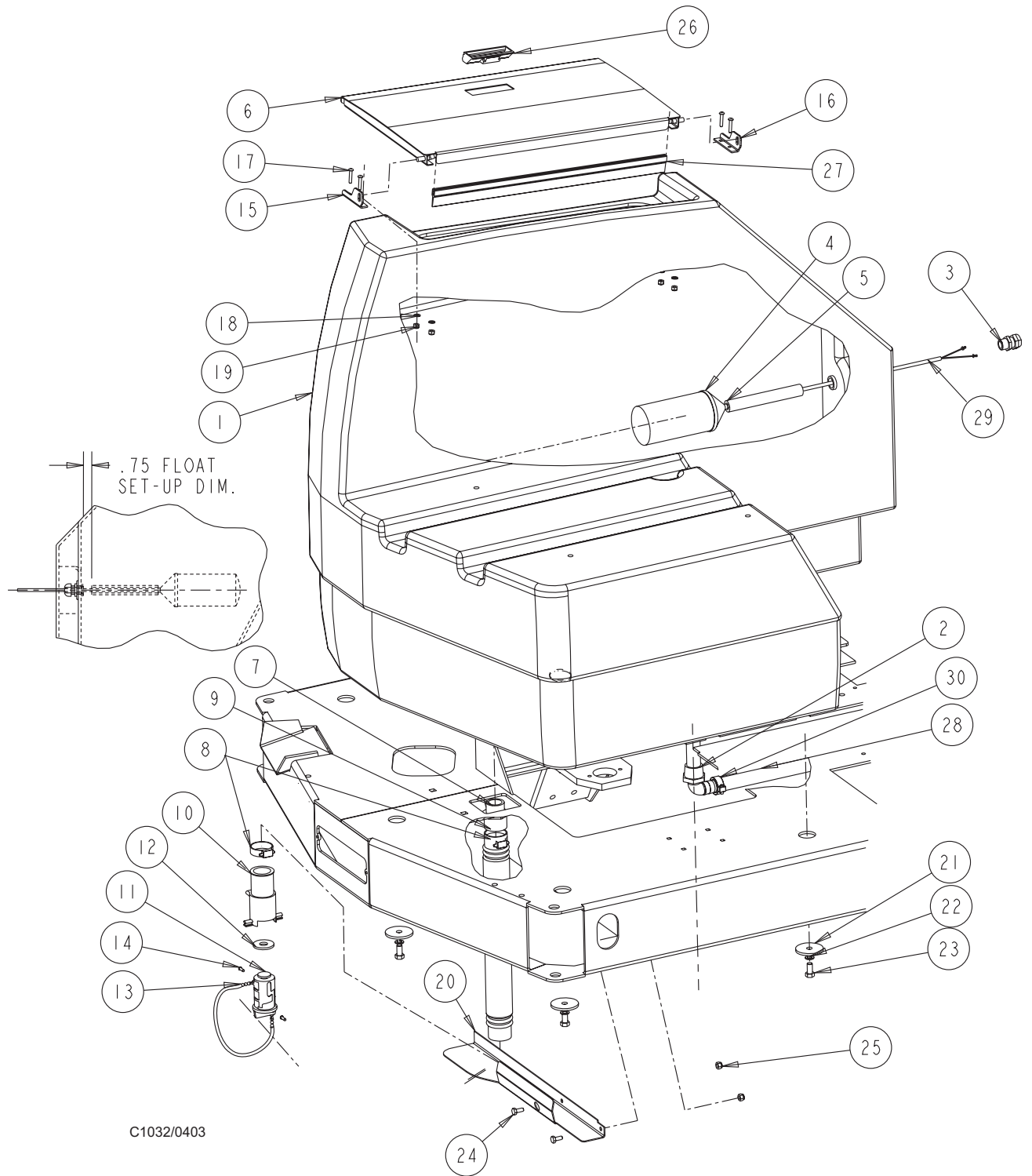


C1075/0403

SOLUTION TANK

<u>KEY NO.</u>	<u>QTY</u>	<u>PART NUMBER</u>	<u>DESCRIPTION</u>
1	1	7-83-04190	TANK, SOLUTION
2	1	7-24-04056	FILTER, SOLUTION
3	1	7-09-01122	BUSHING
4	1	0775-217	SWITCH, FLOAT ALTERED (NC)
5	1	7-87-02191	TUBE, FLOAT SWITCH
6	1	7-16-07420	COVER, TANK (WELDMENT)
7	1	7-56-05027	FITTING, ADAPTER , 1" NPT X SLIP
8	2	2-00-03404	CLAMP
9	1	7-33-02409	HOSE, SOLUTION DRAIN
10	1	839401	VALVE, DRAIN
11	1	833901	HANDLE, DRAIN VALVE
12	1	7-29-00186	GASKET, DRAIN VALVE
13	1	52206A	CHAIN, COVER AUTOSCRUBER
14	2	962987	SCREW, 10-24 X 3/8
15	1	7-08-00986	BRACKET, TANK COV. (HINGE) RT
16	1	7-08-00987	BRACKET, TANK COV. (HINGE) LT
17	4	2-00-00039	SCREW, #10-24
18	4	2-00-00426	WASHER, FLAT .500 x .219 x .063
19	4	2-00-01246	NUT, #10-24 ELASTIC STOP
20	1	7-08-00981	BRACKET, SOL. DRAIN HOSE
21	4	2-95-04689	WASHER, AXLE
22	4	2-00-02310	LOCK WASHER, 3/8" HELI. SPRNG
23	4	2-00-00232	HEX BOLT, FINISHED 3/8-16
24	2	2-00-00220	SCREW , 1/4-20 X .625 HHC
25	2	2-00-00641	NUT, FIBER INSERT 1/4-20
26	1	7-31-06079	HANDLE, COVER
27	1	7-68-05022	SEAL, TANK LID
28	1	7-33-02440	HOSE, SOLUTION FEED
29	2	2-00-04578	TERMINAL, INS. BULLET PLUG
30	1	2-00-02220	CLAMP, HOSE

c1032/0403



RECOVERY TANK

<u>KEY NO.</u>	<u>QTY</u>	<u>PART NUMBER</u>	<u>DESCRIPTION</u>
1*	1	7-83-04178-1	TANK, RECOVERY
2	1	7-33-02590	HOSE ASSY., DRAIN
3	1	7-19-08077	DOOR, REC. TANK DRAIN
4	1	7-29-00250	GASKET, REC. TANK DRAIN
5	2	7-80-05086	STUD, CLEANOUT DOOR
6	2	2-00-00410	FLAT WASHER, .875 x .375 x .060
7	2	25201A	KNOB
8	3	2-95-04689	WASHER, AXLE
9	3	2-00-02310	LOCK WASHER, 3/8"HEL. SPRNG
10	3	2-00-00232	HEX BOLT, FINISHED, 3/8-16
11	1	7-29-00265	GASKET, VAC RECOVERY
12	1	0775-164	SWITCH (GRAY), FLOAT
13	1	7-09-01122	BUSHING
14	1	7-58-05299	PLATE, VAC. INLET (WELDED)
15	1	7-10-04008	CAGE, FLOAT
16	1	7-26-04012	FLOAT, RECOVERY
17	4	2-00-00466	FLAT WASHER, .625 x .203 x .031
18	4	2-00-03940	SCREW, T/C HH #10-24 x .50 LG
19	1	7-33-02397	HOSE, SQUEEGEE
20	1	7-87-02203	COUPLING
21	1	7-33-02420	HOSE, TANK SQUEEGEE
22	4	2-00-02216	CLAMP, HOSE
23	1	7-33-02427	HOSE, REC. TANK INLET
24	4	2-14-03197	WASHR, NEOPRENE, 1 x .19 x 1/8
25	4	2-00-05237	FLAT WASHR, 1.063 x .265 x .063
26	2	2-00-04687	LOCK WASHER, 1/4" HEL. SPRNG
27	2	2-00-04688	HEX NUT, 1/4-20
28	2	2-00-04966	SCREW, 1/4-20 x 1.50 HHM
29	1	7-25-02033	PLUG, HOSE
30	1	2-00-03466	SCREW , #10-16 x 1/2
31	2	7-31-07032	HANGER, DRAIN HOSE
32	4	2-00-04876	SCREW, 1/4-20 x .50 BHCS W/NYLOK
33	8	2-00-01994	SCREW, #8-15 x 3/4 LG, TF/PRH
34	4	7-29-00281	GASKET
35	4	2-00-03702	WASHER, .625 x .281 x .063

*IF REPLACING ITEM #1, YOU MUST ALSO ORDER:

1 OF 8-18-00537 (7730 DECAL)

1 OF 8-18-00524 (AMERICAN-LINCOLN LOGO DECAL)

(REFERENCE PAGE 2-80 THRU 2-83 FOR PLACE MENT)

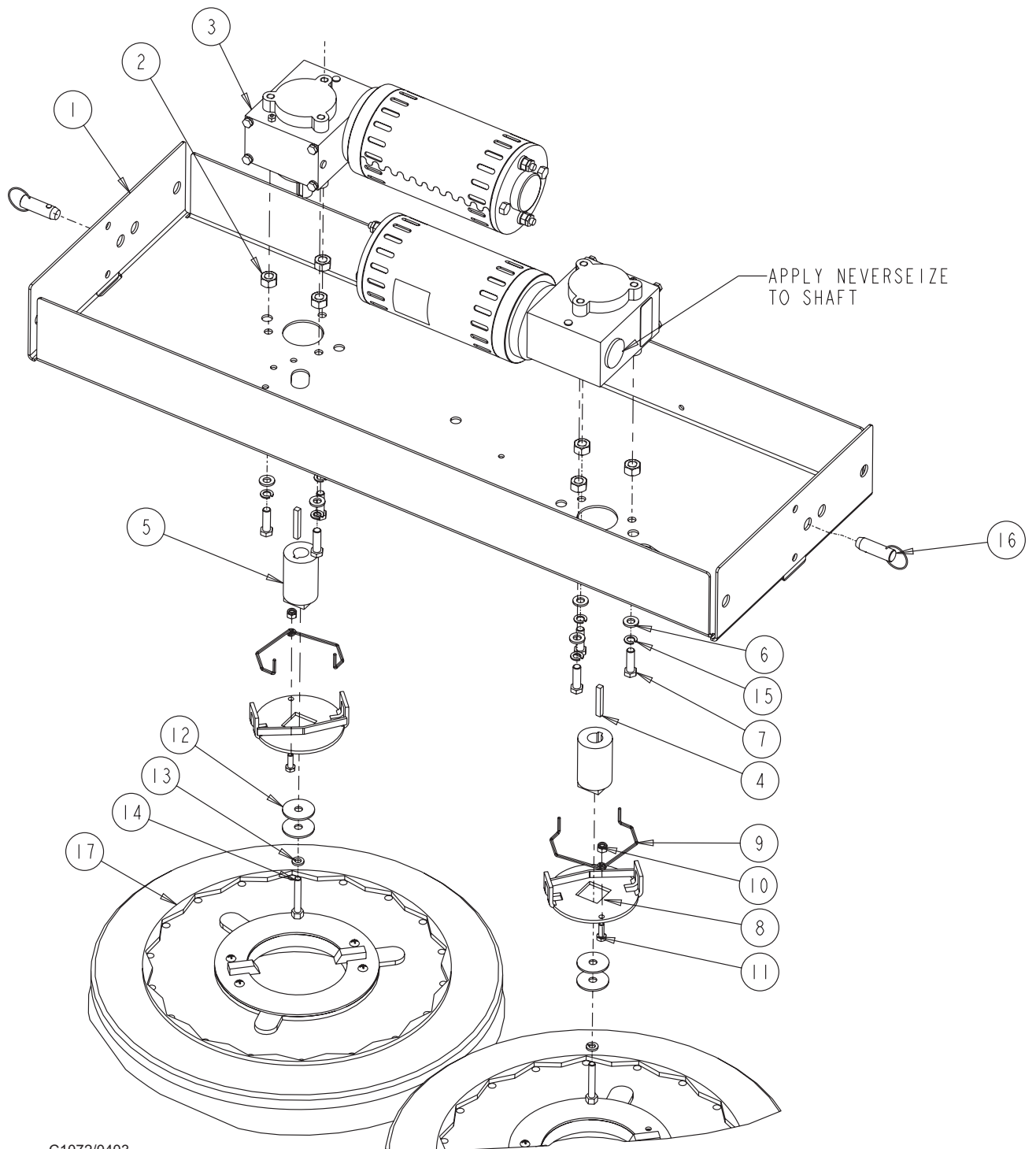
c1031/0403

SCRUB DECK (40")

<u>KEY NO.</u>	<u>QTY</u>	<u>PART NUMBER</u>	<u>DESCRIPTION</u>
1	1	7-27-07202	FRAME, BRUSH DRIVE (40")
2	6	2-00-00596	HEX NUT, 1/2-13 x .44 LG
3	2	0760-542	MOTOR & REDUCER ASSY. (Motor brush kit: 0780-582)
4	2	2-00-03463	KEY - 1/4 SQ. x 2.63 STEEL
5	2	7-33-09042	HUB, BRUSH DRIVE
6	6	2-00-00402	WASHER, 25/64" ID x 3/4" OD
7	6	2-00-00209	HEX BOLT, 3/8-16
8	2	7-03-04123	ARM, BRUSH DRIVE (WELDMENT)
9	2	7-41-00027	LATCH, BRUSH DRIVER
10	2	2-00-00641	NUT, FIBER INSERT 1/4-20
11	2	2-00-00221	HEX BOLT, FIN., 1/4-20 x 3/4 LG
12	4	2-00-04851	WASHER, ENGINE MOUNT
13	2	2-00-00530	LOCK WASHER, 5/16"
14	2	2-00-00218	HEX BOLT, 5/16-18
15	6	2-00-02310	LOCK WASHER, 3/8" HEL. SPRING
16	2	7-55-08151	PIN, LOCK UP
17	REF	0765-271	SCRUB BRUSH ASSY.

c1072/0403

SCRUB DECK (40")



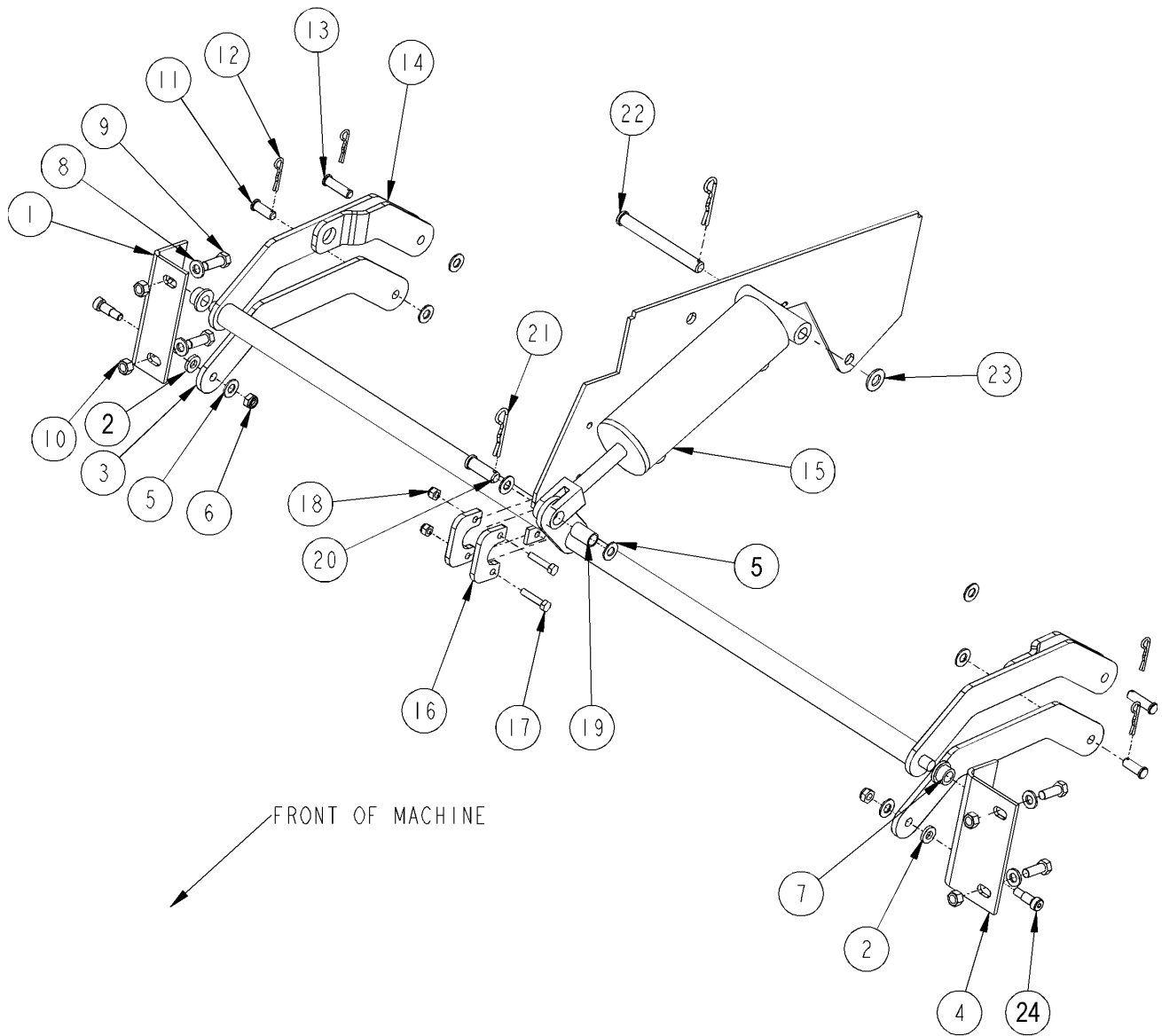
C1072/0403

SCRUB DECK LIFT (40")

<u>KEY NO.</u>	<u>QTY</u>	<u>PART NUMBER</u>	<u>DESCRIPTION</u>
1	1	7-08-01029	BRACKET (RH), FRAME TO SCRUB DECK LIFT
2	2	2-00-05505	BEARING, THRUST, PLAIN, BRONZE, 1/2 ID x 1.0 OD
3	2	7-42-05172	ARM, LOWER SCRUB DECK LIFT
4	1	7-08-01030	BRACKET (LH), FRAME TO SCRUB DECK LIFT
5	8	2-00-00456	FLAT WASHER, .812x.406x.063 S/S
6	2	2-00-00646	LOCK NUT, ELASTIC, 5/16-18
7	2	2-00-05506	BEARING, FLANGED, PLAIN, BRONZE, 1/2 ID x 3/4 OD
8	4	2-00-00402	WASHER, 25/64 ID x 3/4 OD
9	4	2-00-00233	HEX BOLT, FIN., 3/8-16 x 1.00
10	4	2-95-04182	NUT, HEX STOP, 3/8-16
11	2	2-00-05507	PIN, CLEVIS, 3/8 DIA x 1.0 LG
12	4	2-00-05503	HAIRPIN, COTTER
13	2	2-00-05508	PIN, CLEVIS, 3/8 DIA x 1-5/16 LG
14	1	7-70-05197	SHAFT, 40" SD LIFT (WELDMENT)
15	1	7-17-05025	CYLINDER, HYD., SD LIFT
16	2	7-13-07222	CLAMP, SHAFT SUPPORT, SD LIFT
17	2	2-00-02587	SCREW (CAP), HEX, .25-20 x 1.25
18	2	2-00-00641	NUT, FIBER INSERT 1/4-20
19	1	2-00-05501	BEARING, PLAIN SLEEVE, BRONZE, 1/2 ID x 5/8 OD
20	1	2-00-05500	PIN, CLEVIS, 1/2 DIA x 1-27/64 LG
21	2	2-00-05320	HAIRPIN, COTTER
22	1	2-00-05510	PIN, CLEVIS, 1/2 DIA x 4-1/2 LG
23	1	2-00-00405	FLAT WASHER, 1.063 x .531 x .094
24	2	2-00-05504	SCREW-SHOULDER, 5/16-18 X 5/8, HEX SOCKET HD

71808_1

SCRUB DECK LIFT (40")



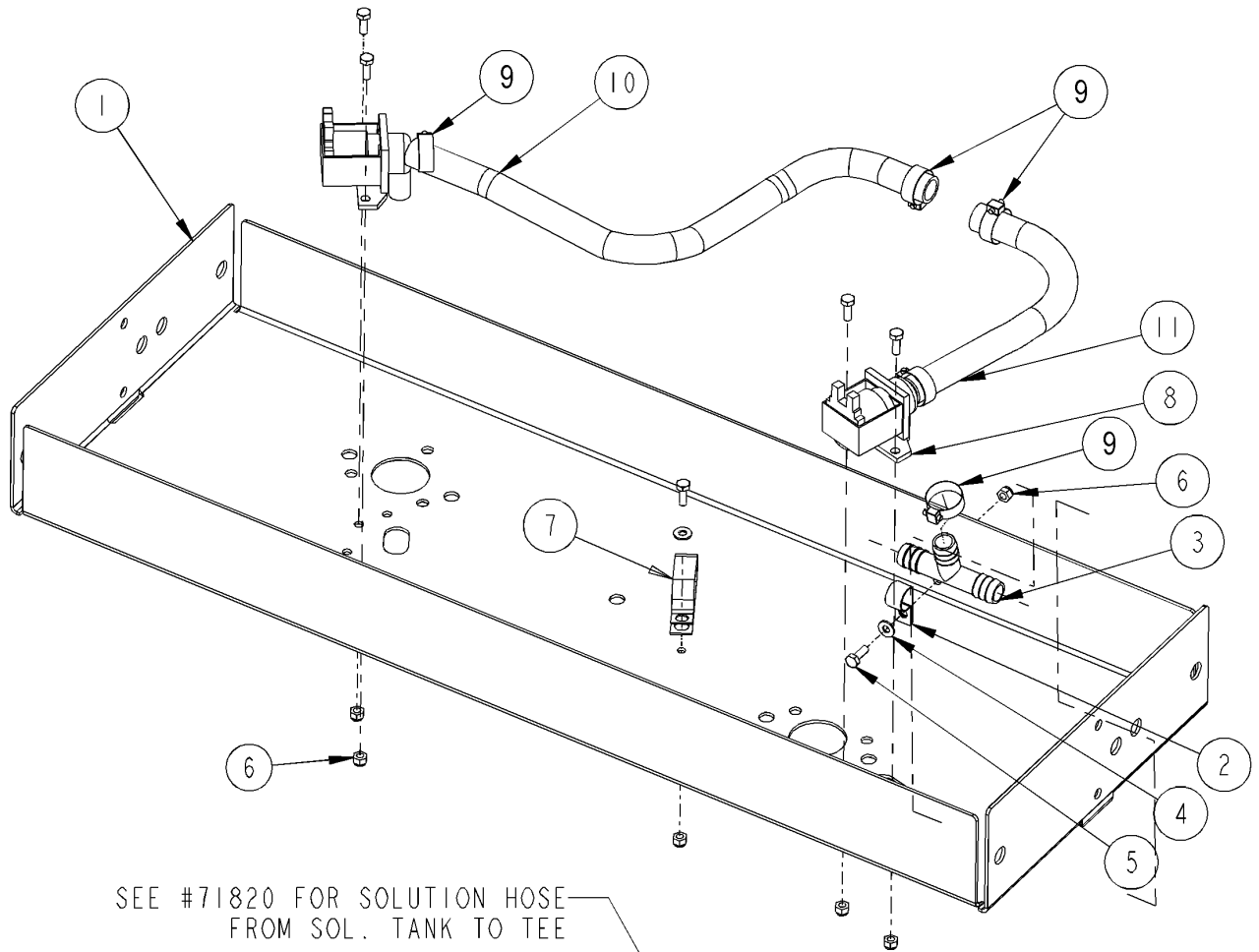
71808_1

SCRUB DECK SOLUTION FEED HOSES (40")

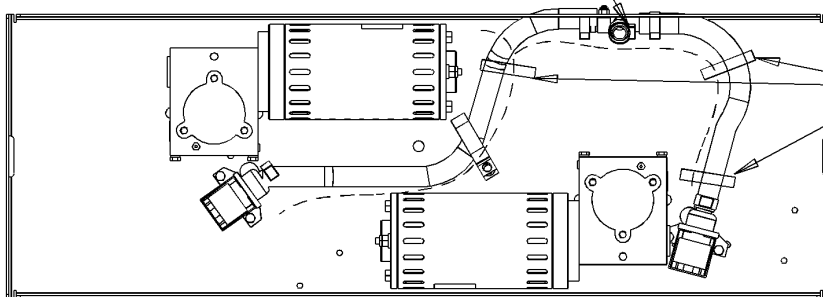
<u>KEY NO.</u>	<u>QTY</u>	<u>PART NUMBER</u>	<u>DESCRIPTION</u>
1	REF	7-27-07202	FRAME, BRUSH DRIVE (40")
2	1	2-00-04564	CLAMP, CABLE
3	1	2-00-05447	T-FITTING, BARBED, 3/4 x 3/4 x 3/4
4	2	2-00-03702	WASHER, .625 x .281 x .063
5	6	2-00-00221	HEX BOLT, FIN., 1/4-20 x 3/4 LG
6	6	2-00-00641	NUT, FIBER INSERT 1/4-20
7	1	2-00-05253	CLAMP, DOUBLE 3/4" WIRE
8	2	7-88-00087	VALVE, SOLUTION (36VDC)
9	5	2-00-02220	CLAMP, HOSE
10	1	7-33-02424	HOSE, SOLUTION FEED
11	1	7-33-02430	HOSE, SOLUTION FEED

71808_3

SCRUB DECK SOLUTION FEED HOSES (40")



SEE #71820 FOR SOLUTION HOSE
FROM SOL. TANK TO TEE



TYE WRAP FOR
ELECTRICAL HARNESS

TOP VIEW
SCALE 0.125

FRONT OF MACHINE
↓

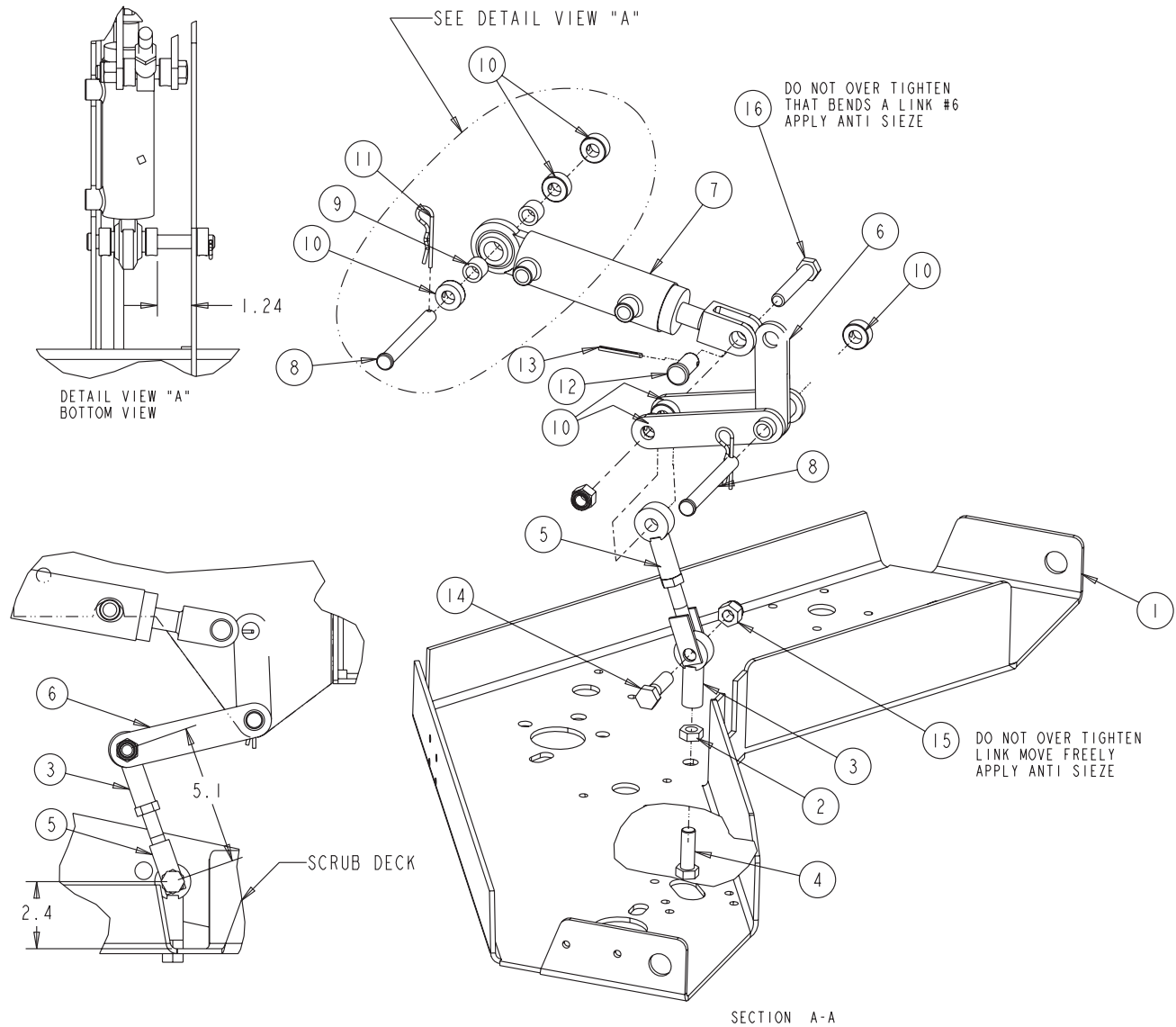
71808_3

SCRUB DECK & LIFT (46")

<u>KEY NO.</u>	<u>QTY</u>	<u>PART NUMBER</u>	<u>DESCRIPTION</u>
1	1	7-27-07207	BRUSH FRAME
2	2	2-00-00591	NUT, HEX JAM, 1/2-20
3	2	8-66-00144	ROD END
4	1	2-00-02691	SCREW
5	1	7-42-05179	LINK, DECK LIFT
6	1	7-03-04234	ARM, SCRUB DECK LIFT (WELDMENT)
7	1	7-17-05020	CYLINDER, HOPPER DOOR
8	2	2-00-05510	PIN, CLEVIS, 1/2 DIA x 4 1/2 LG
9	2	2-00-03151	SPACER, 1/2 ID x 3/4 OD x 5/8 LG
10	6	2-00-03589	COLLAR
11	2	2-00-05320	HAIRPIN, COTTER
12	1	7-55-08169	PIN, .625 DIA x 1-1/4 (w/HAIRPIN COTTER)
13	1	2-00-00775	COTTER PIN, 1/8 DIA x 1 LG
14	1	2-00-00241	BOLT 1/2-13 x 1-3/4 LG
15	2	2-00-04936	LOCKNUT, ELASTIC, 1/2-13
16	1	2-00-02616	HEX BOLT, FIN., 1/2-13 x 3.00

c1038/0403

SCRUB DECK & LIFT (46")



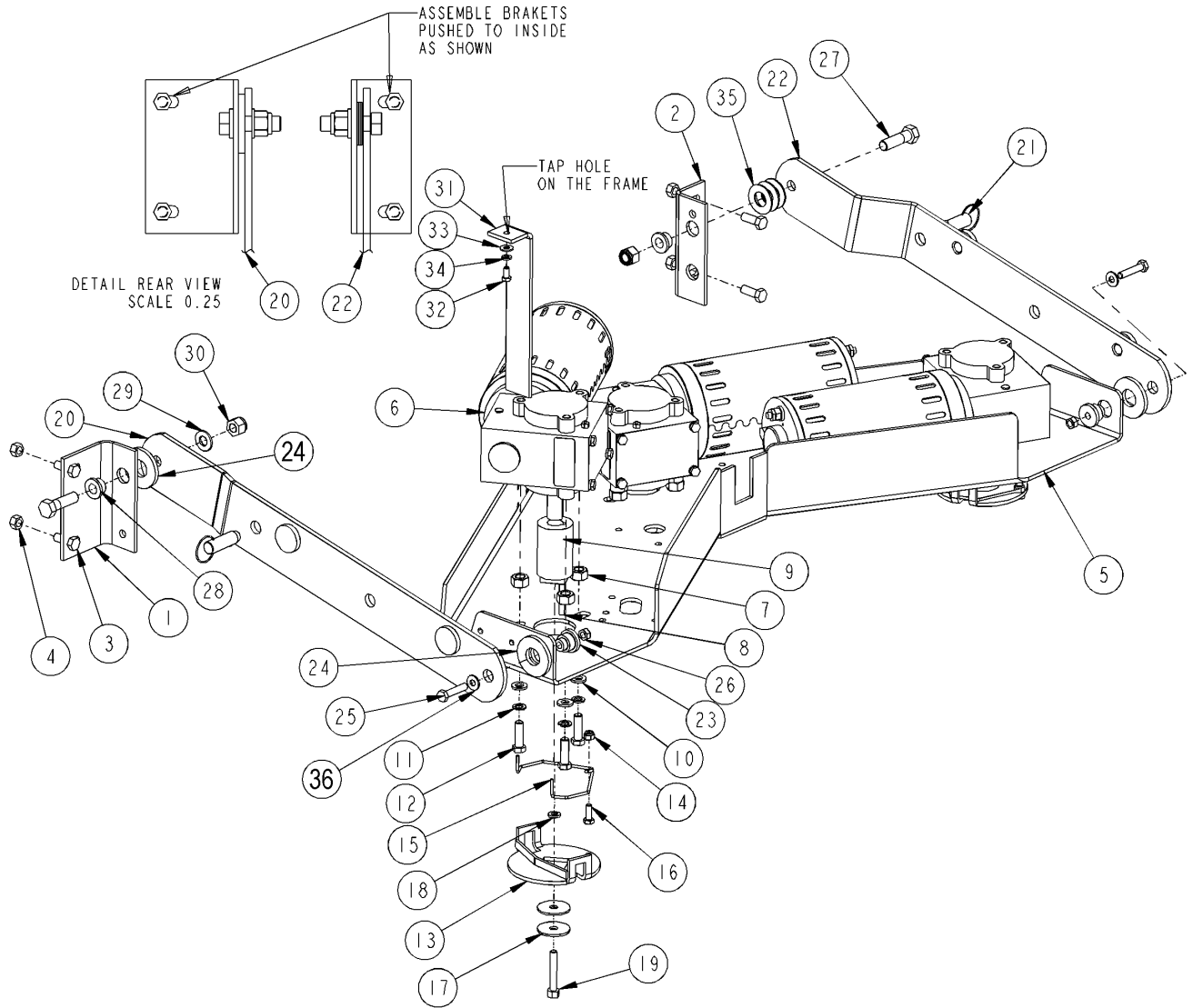
C1038/0403

SCRUB DECK & LIFT (46") CON'T.

<u>KEY NO.</u>	<u>QTY</u>	<u>PART NUMBER</u>	<u>DESCRIPTION</u>
1	1	7-08-01030	BRACKET (LH), FRAME TO SCRUB DECK LIFT
2	1	7-08-01029	BRACKET (RH), FRAME TO SCRUB DECK LIFT
3	4	2-00-00233	HEX BOLT, FIN., 3/8-16 x 1.00
4	4	2-95-04182	NUT, HEX STOP, 3/8-16
5	1	7-27-07207	BRUSH FRAME
6	3	0760-542	MOTOR & REDUCER ASSY (Motor brush kit: 0780-582)
7	9	2-00-00596	HEX NUT, 1/2-13 x .44 LG
8	3	2-00-03463	KEY - 1/4 SQ. x 2.63 STEEL
9	3	7-33-09042	HUB, BRUSH DRIVE
10	9	2-00-00402	WASHER, 25/64 ID x 3/4 OD
11	9	2-00-02310	LOCK WASHER, 3/8 HEL. SPRNG
12	9	2-00-00209	HEX BOLT, 3/8-16
13	3	7-03-04123	ARM, BRUSH DRIVE (WELDMENT)
14	3	2-00-00641	NUT, FIBER INSERT 1/4-20
15	3	7-41-00027	LATCH, BRUSH DRIVER
16	4	2-00-00221	HEX BOLT, FIN., 1/4-20 x 3/4 LG
17	6	2-00-04851	WASHER, ENGINE MOUNT
18	3	2-00-00530	LOCK WASHER, 5/16
19	3	2-00-00218	HEX BOLT, 5/16-18
20	1	7-42-05160	LINK, BRUSH FRAME-46" (LH)
21	2	7-55-08151	PIN, LOCK-UP
22	1	7-42-05161	LINK, BRUSH FRAME-46" (RH)
23	2	7-09-01143	BUSHING, BRUSH LIFT
24	3	2-00-05460	WASHER, 2 OD x .88 ID x .210 THK
25	2	2-00-00225	SCREW, 5/16-18 x 1.5 HHC
26	2	2-00-00644	HEX NUT, INSERT FIBER 5/16-18
27	2	2-00-00241	BOLT, 1/2-13 x 1-3/4 LG
28	2	2-00-05506	BEARING, FLANGED, PLAIN, BRONZE, 1/2 ID x 3/4 OD
29	1	2-00-00405	FLAT WASHER, 1.063 x .531 x .094
30	2	2-00-04936	LOCKNUT, ELASTIC 1/2-13
31	1	7-08-07102	BRACKET, SCRUB DECK (46") BALANCE
32	1	2-00-00219	HEX BOLT, FIN., 1/4-20
33	1	2-00-03702	WASHER, .625 x .281 x .063
34	1	2-00-00518	LOCK WASHER, 1/4 HEL. SPRING
35	3	2-00-03808	WASHER, .770 ID x 1.50 OD x .063 THK
36	2	2-00-00451	WASHER, FLAT

c1039/0403

SCRUB DECK & LIFT (46") CON'T.

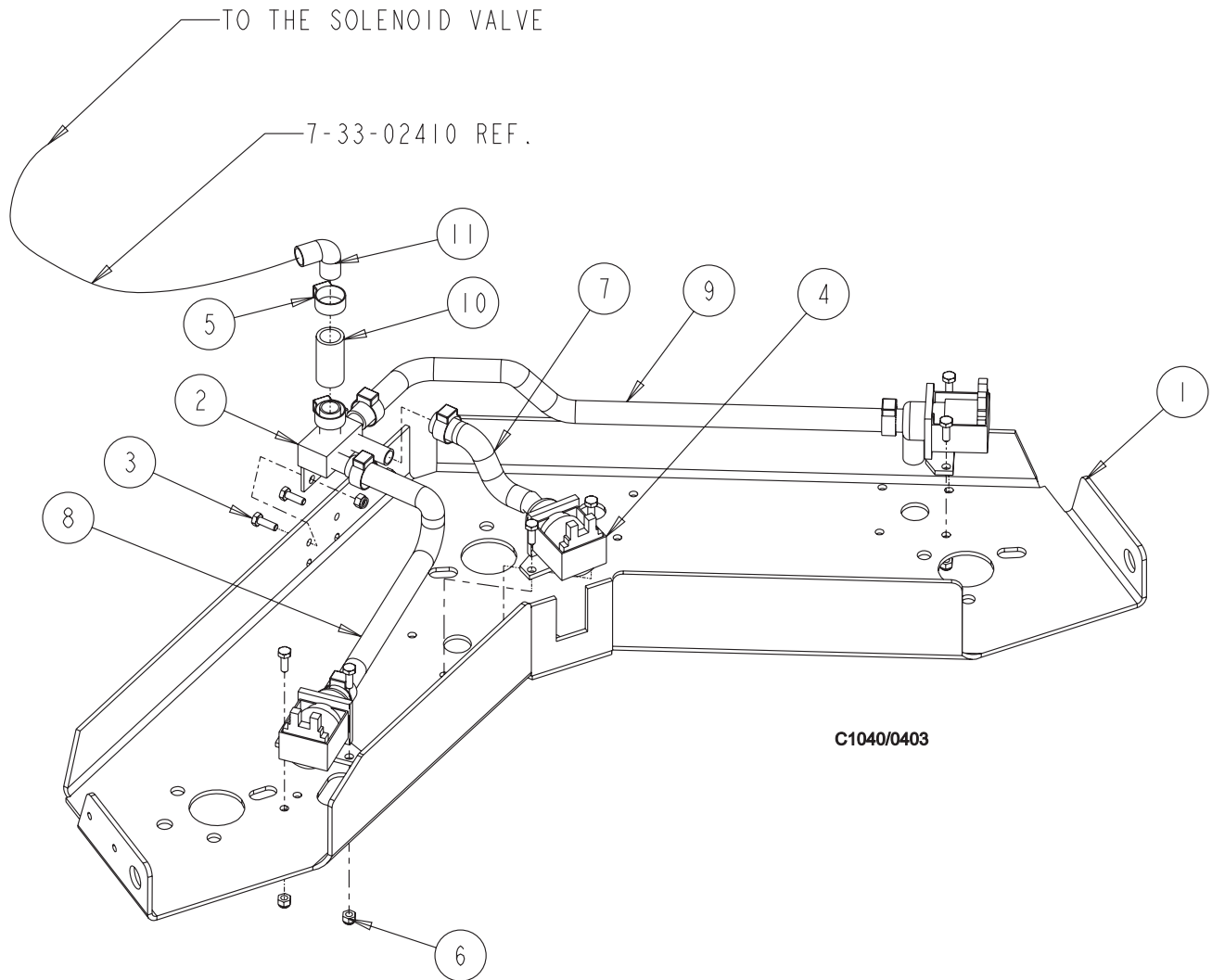


71836_2

SCRUB DECK & LIFT/HOSES (46") CON'T.

<u>KEY NO.</u>	<u>QTY</u>	<u>PART NUMBER</u>	<u>DESCRIPTION</u>
1	REF	7-27-07207	FRAME, BRUSH
2	1	7-48-00049	WELDMENT, WATER MANIFOLD
3	8	2-00-00221	HEX BOLT, FIN., 1/4-20 x 3/4 LG
4	3	7-88-00087	VALVE, SOLUTION (36VDC)
5	7	2-00-03407	CLAMP, HOSE (WITTECK #10P)
6	8	2-00-00641	NUT, FIBER INSERT 1/4-20
7	1	7-33-02593	HOSE, SOLUTION FEED (5/6 ID x 6.25 LG)
8	1	7-33-02594	HOSE, SOLUTION FEED (5/8 ID x 12.75 LG HEATER HOSE)
9	1	7-33-02595	HOSE, SOLUTION FEED (5/8 ID x 23.5 LG HEATER HOSE)
10	1	7-33-02434	HOSE, HEATER, 3/4 x 2 LG
11	1	2-00-05380	FITTING, ELBOW

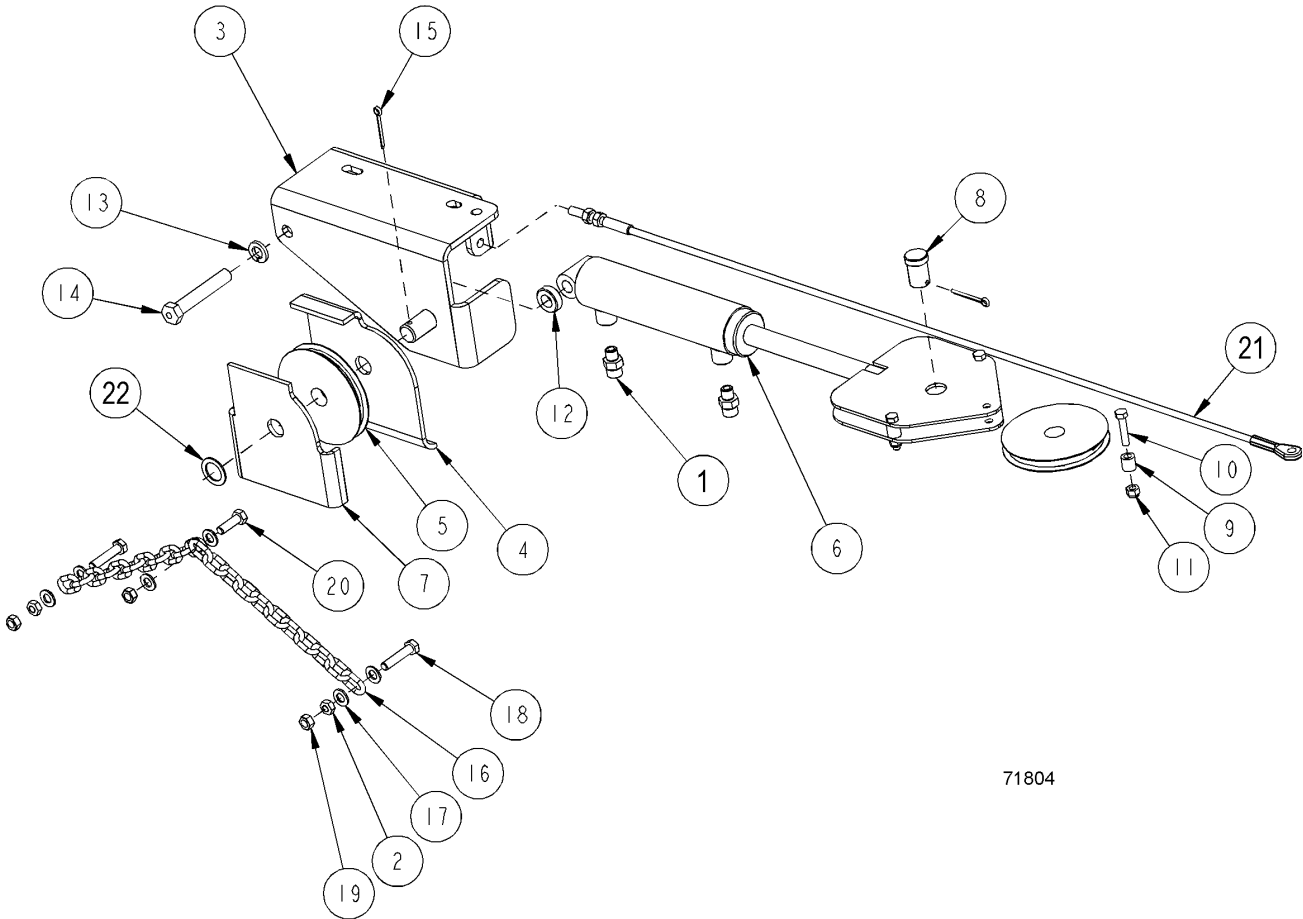
c1040/0403



SQUEEGEE LIFT

<u>KEY NO.</u>	<u>QTY</u>	<u>PART NUMBER</u>	<u>DESCRIPTION</u>
1	2	2-00-04895	FITTING-STRAIGHT CONNECTOR
2	2	2-00-00585	HEX NUT, 5/16-18
3	1	7-08-01133	BRACKET, SQUEEGEE LIFT
4	1	7-30-08024	GUIDE, SQUEEGEE CABLE (front)
5	2	7-20-03005	PULLEY
6	1	7-17-05026	CYLINDER, SQUEEGEE
7	1	7-30-08025	GUIDE, SQUEEGEE CABLE (back)
8	1	2-00-05515	ASSEMBLY, PIN
9	3	2-00-05525	SPACER
10	3	2-00-02587	SCREW-CAP, HEX, 1/4-20 x 1.25
11	3	2-00-00641	NUT, FIBER INSERT 1/4-20
12	1	2-00-05513	SPACER
13	1	2-00-02312	LOCK WASHER, 1/2"
14	1	2-00-02616	HEX BOLT, FIN, 1/2-13
15	2	2-00-00776	COTTER PIN, 1/8 DIA. x 1.25 LG
16	2	7-13-05076	CHAIN, SQUEEGEE LIFT
17	6	2-00-00409	FLAT WASHER, .687 x .344 x .062
18	2	2-00-00225	SCREW, 5/16-18 x 1.50 HHC
19	3	2-00-00644	HEX NUT, INSERT FIBER 5/16-18
20	1	2-00-05356	HEX SCREW, .313-18 x 1.25
21	1	7-10-00046	CABLE, SQUEEGEE
22	1	2-00-00432	WASHER, FLAT, 3/4" ID

71804



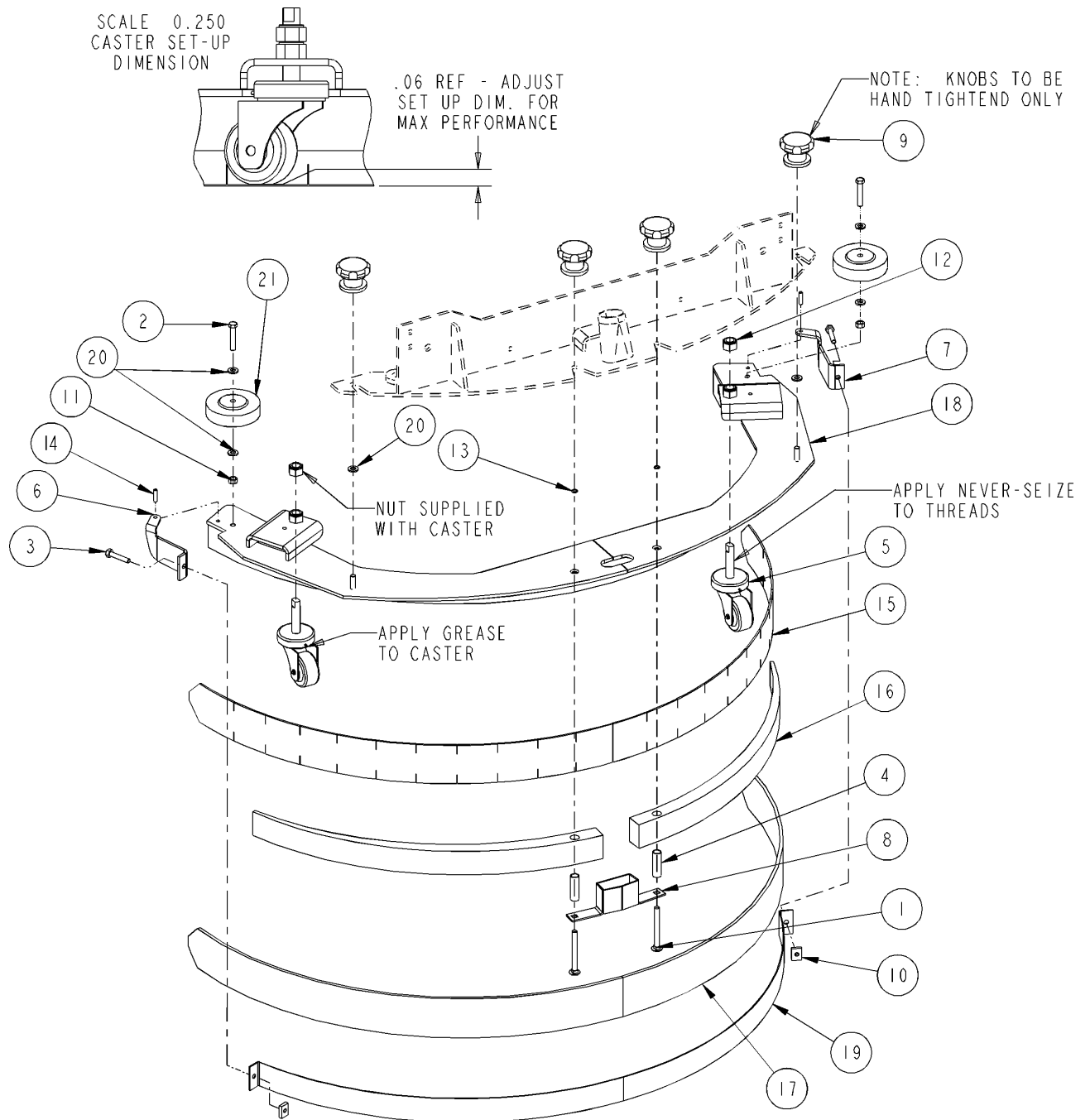
71804

REAR SQUEEGEE (40")

<u>KEY NO.</u>	<u>QTY</u>	<u>PART NUMBER</u>	<u>DESCRIPTION</u>
1	2	2-00-05343	CARRIAGE BOLT, 3/8-16 x 4"
2	2	2-00-00216	HEX BOLT, 3/8-16 x 2"
3	2	2-00-05344	HEX BOLT, 5/16-18 X 1.75"
4	2	7-75-01164	BUSHING, SPACER
5	2	7-89-08073	CASTER
6	1	7-13-07188	CLAMP, LH SQUEEGEE END,
7	1	7-13-07187	CLAMP, RH SQUEEGEE END,
8	1	7-20-06010	DUCT, SQUEEGEE INLET
9	4	7-39-00026	KNOB, SQUEEGEE
10	2	7-13-07156	NUT, CLAMP
11	2	2-00-02360	HEX NUT, 3/8-16
12	2	2-00-00615	HEX NUT, 5/8-11
13	2	2-00-04962	O-RING
14	2	2-00-03842	PIN, ROLL 1/4 X 1
15	1	7-77-00110	SQUEEGEE, INNER (RUBBER)
16	2	7-75-01188	SPACER, SQUEEGEE
17	1	7-77-00109	SQUEEGEE, OUTER (RUBBER)
18	1	7-86-08064	SQUEEGEE WELDMENT (40")
19	1	7-79-00101	STRAP, SQUEEGEE CLAMP (40")
20	6	2-00-00402	WASHER, 25/64" ID x 3/4" OD
21	2	2-14-00184	WHEEL

71366

REAR SQUEEGEE (40")



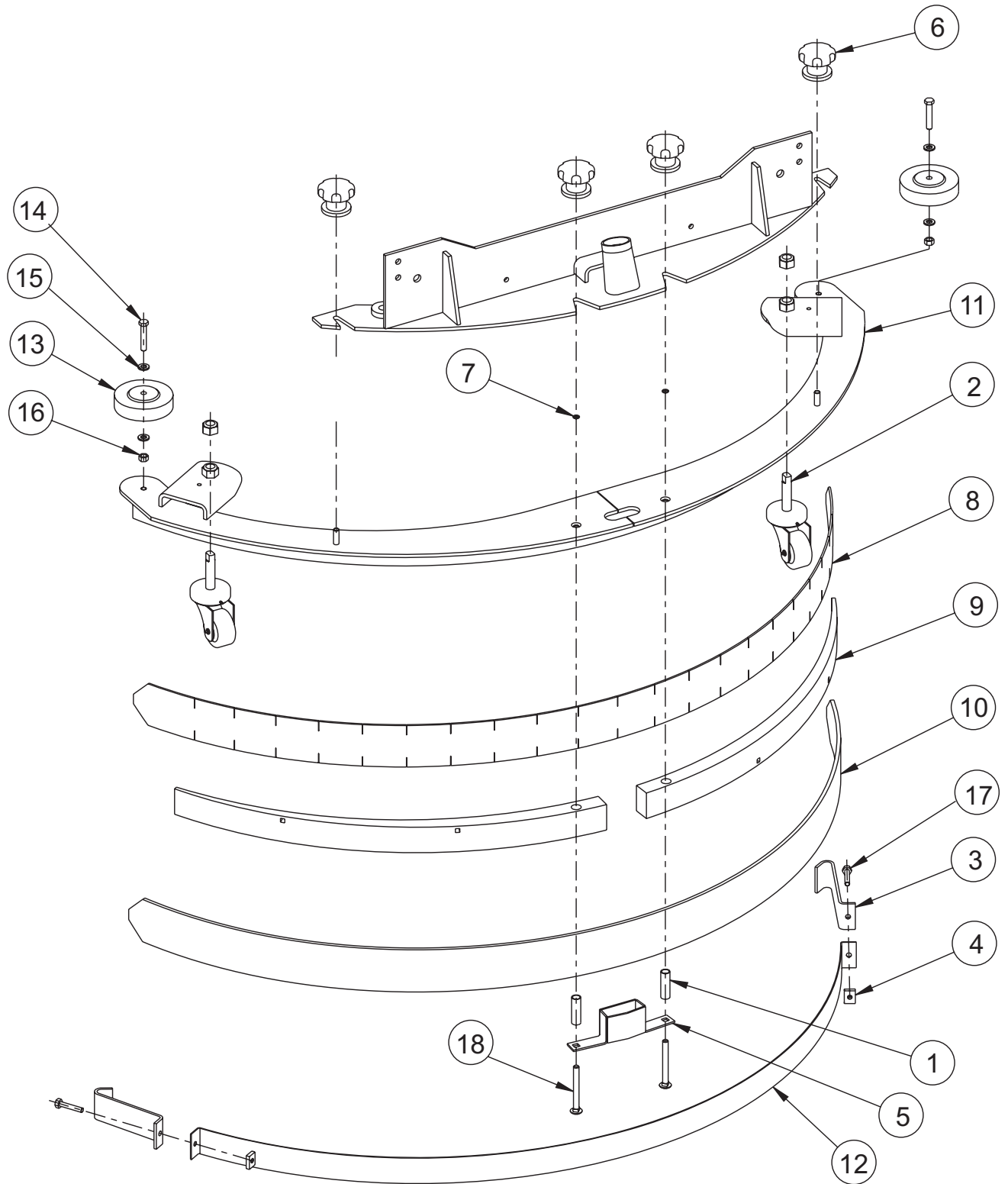
71366

REAR SQUEEGEE (46")

<u>KEY NO.</u>	<u>QTY</u>	<u>PART NUMBER</u>	<u>DESCRIPTION</u>
1	2	7-75-01164	BUSHING, SPACER
2	2	7-89-08073	CASTER
3	2	7-13-07157	CLAMP, SQUEEGEE END
4	2	7-13-07156	CLAMP, NUT
5	1	7-20-06010	DUCT, SQUEEGEE INLET
6	4	7-39-00026	KNOB, SQUEEGEE
7	2	2-00-04962	O-RING
8	1	7-77-00110	SQUEEGEE, INNER (RUBBER)
9	2	7-75-01169	SPACER, SQUEEGEE
10	1	7-77-00109	SQUEEGEE, OUTER (RUBBER)
11	1	7-86-08038	SQUEEGEE WELDMENT
12	1	7-79-00088	STRAP, SQUEEGEE CLAMP
13	2	2-14-00184	WHEEL
14	2	2-00-00216	SCREW, 3/8-16 x 2.0 HHC
15	4	2-00-00402	FLAT WASHER, .75 x .390 x .0944
16	2	2-00-02360	HEX NUT, 3/8-16
17	2	2-00-05344	SCREW, HHM .313-18 x 1.75 SS
18	2	2-00-05343	CARRIAGE BOLT, .38-16 x 3.50 SS

c1081/0403

REAR SQUEEGEE (46")



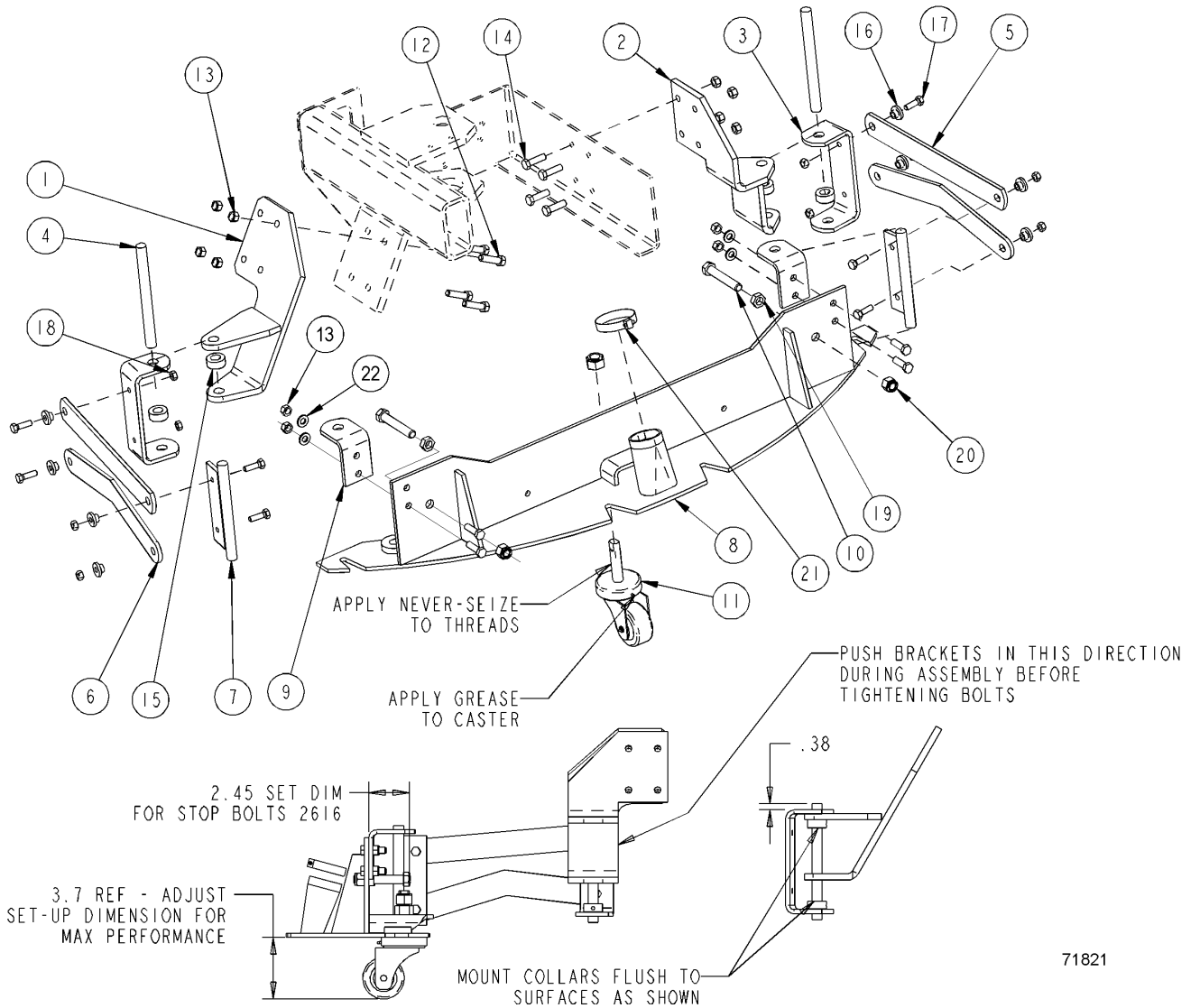
C1081/0403

SWING SQUEEGEE SUPPORT

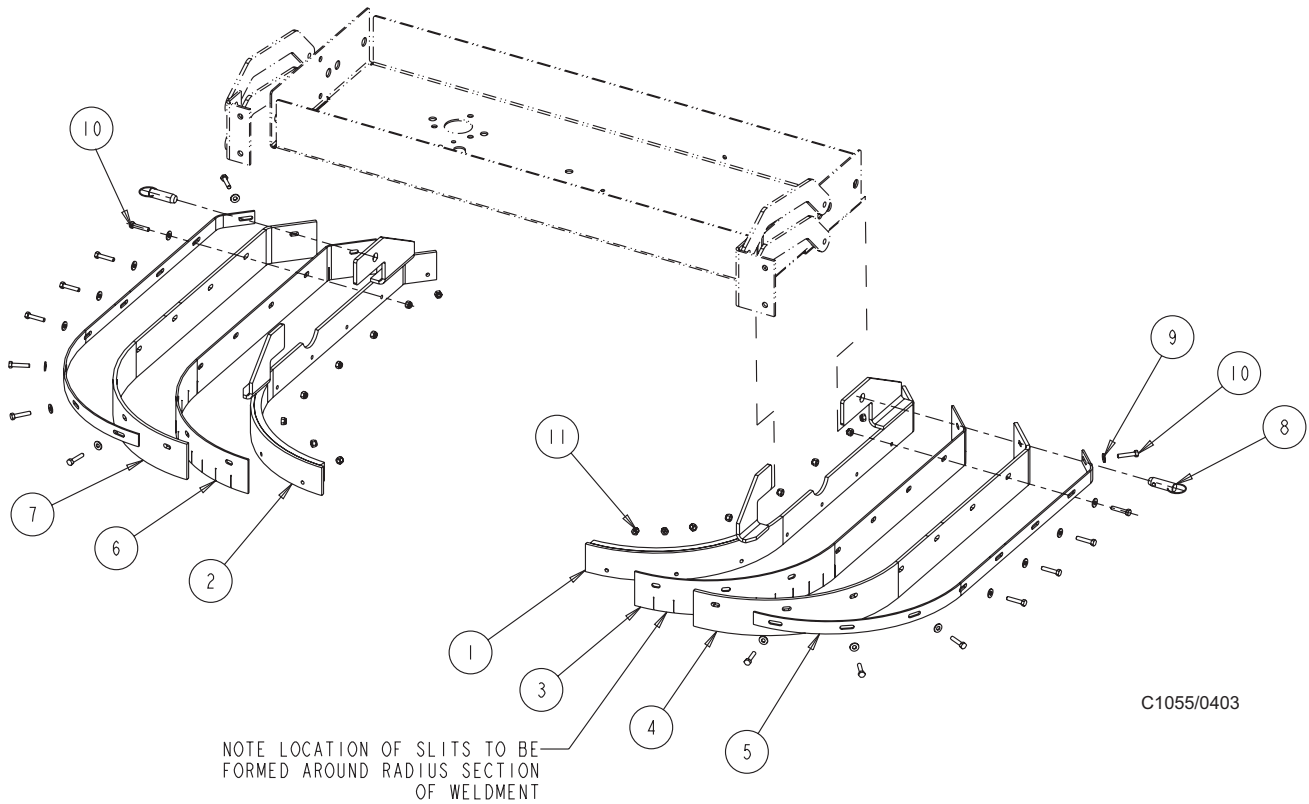
<u>KEY NO.</u>	<u>QTY</u>	<u>PART NUMBER</u>	<u>DESCRIPTION</u>
1	1	7-08-00994	WELDMENT, BRACKET ASSY LH
2	1	7-08-01141	WELDMENT, BRACKET ASSY RH
3	2	7-81-00232	SUPPORT, SQUEEGEE
4	2	7-70-05194	SHAFT
5	2	7-03-04210	ARM, SQUEEGEE
6	2	7-03-04211	ARM, SCRUB BRUSH FRAME
7	2	7-55-08144	PIN, REAR (WELDMENT)
8	1	7-86-08067	SUPPORT, SQUEEG. (WELDMENT)
9	2	7-08-00839	BRACKET, ANGLE
10	2	2-00-02616	HEX BOLT, FIN., 1/2-13
11	1	7-89-08073	CASTER
12	4	2-00-00234	SCREW, 3/8-16 x 1-1/2 HHC
13	12	2-95-04182	HEX STOP NUT, 3/8-16
14	8	2-00-00209	HEX BOLT, 3/8-16
15	4	8-15-01002	COLLAR (W/SETSCREW)
16	8	7-09-01057	BUSHING, BRUSH LIFT
17	8	2-00-05356	HEX SCREW, .313-18 x 1.25
18	8	2-00-00644	HEX NUT, INSERT FIBER 5/16-18
19	2	2-00-02371	NUT, 1/2-13
20	2	2-00-04936	LOCKNUT, ELASTIC 1/2-13
21	1	2-00-02216	CLAMP, HOSE
22	4	2-00-00402	WASHER, 25/64" ID x 3/4" OD

71821

SWING SQUEEGEE SUPPORT



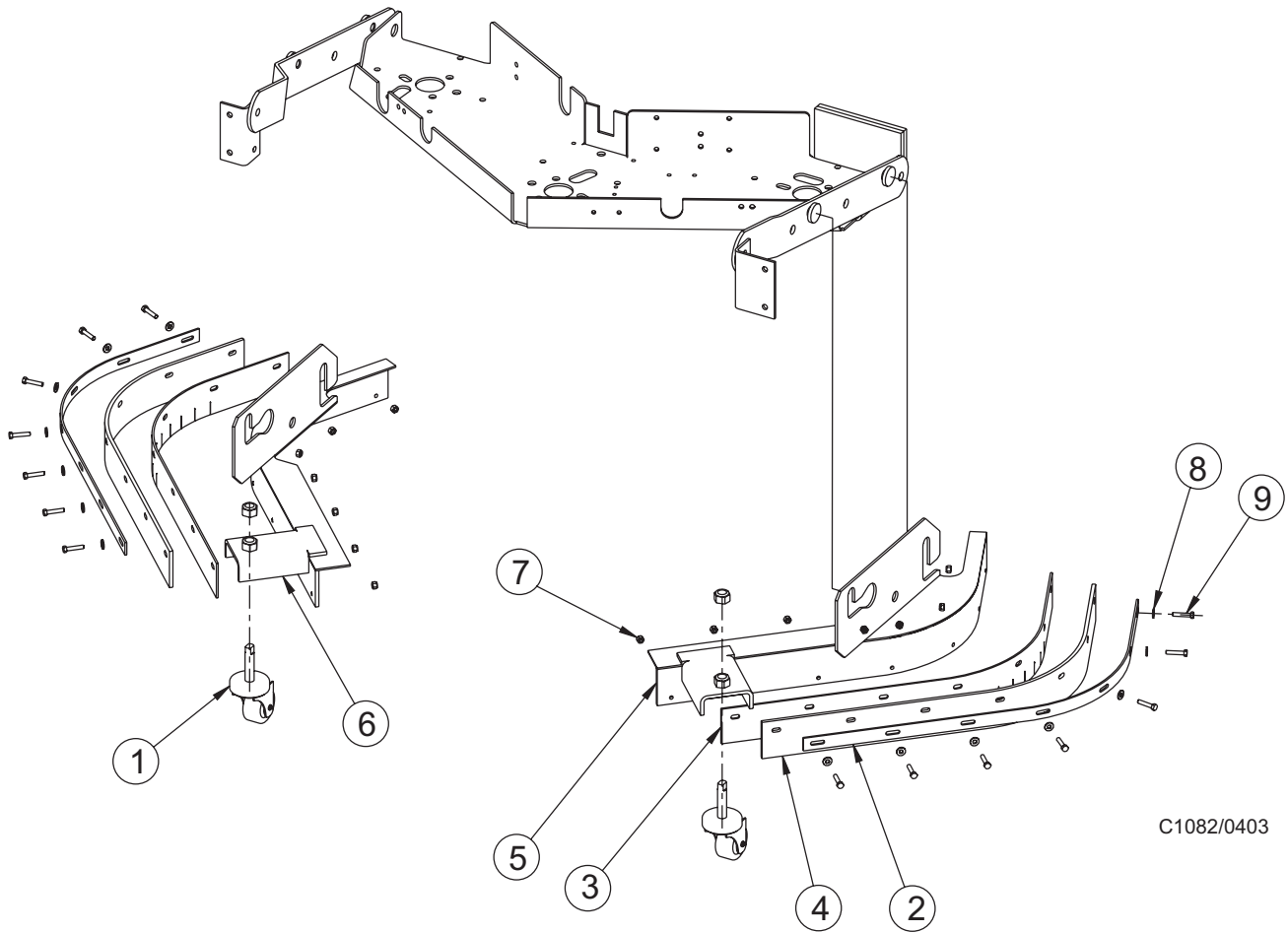
SIDE SQUEEGEE 40"



C1055/0403

<u>KEY NO.</u>	<u>QTY</u>	<u>PART NUMBER</u>	<u>DESCRIPTION</u>
1	1	7-86-08063	TOOL, SIDE SQUEEGEE (LH)
2	1	7-86-08062	TOOL, SIDE SQUEEGEE (RH)
3	1	7-77-00140	SIDE SQUEEGEE, INNER (rubber)
4	1	7-77-00141	SIDE SQUEEGEE, OUTER (rubber)
5	2	7-13-07209	CLAMP, SIDE SQUEEGEE
6	1	7-77-00140	SIDE SQUEEGEE, INNER (rubber)
7	1	7-77-00141	SIDE SQUEEGEE, OUTER (rubber)
8	2	7-55-08151	PIN, LOCK-UP
9	16	2-00-03702	WASHER, .625 x .281 x .063
10	16	2-00-02587	SCREW, 1/4-20 x 1.25 HEX CAP
11	16	2-00-00641	NUT, 1/4-20 FIBER INSERT

c1055/0403



C1082/0403

<u>KEY NO.</u>	<u>QTY</u>	<u>PART NUMBER</u>	<u>DESCRIPTION</u>
1	2	7-89-08073	CASTER
2	2	7-13-07210	CLAMP, SIDE SQUEEGEE (RH)
3	1	7-77-00142	SIDE SQUEEGEE, INNER (rubber)
4	1	7-77-00143	SIDE SQUEEGEE, OUTER (rubber)
5	1	7-86-08066	TOOL, SIDE SQUEEGEE (LH)
6	1	7-86-08065	TOOL, SIDE SQUEEGEE (RH)
7	14	2-00-00641	NUT, FIBER INSERT 1/4-20
8	14	2-00-03702	WASHER, .625 x .281 x .063
9	14	2-00-02587	SCREW-CAP, HEX, .25-20 x 1.25

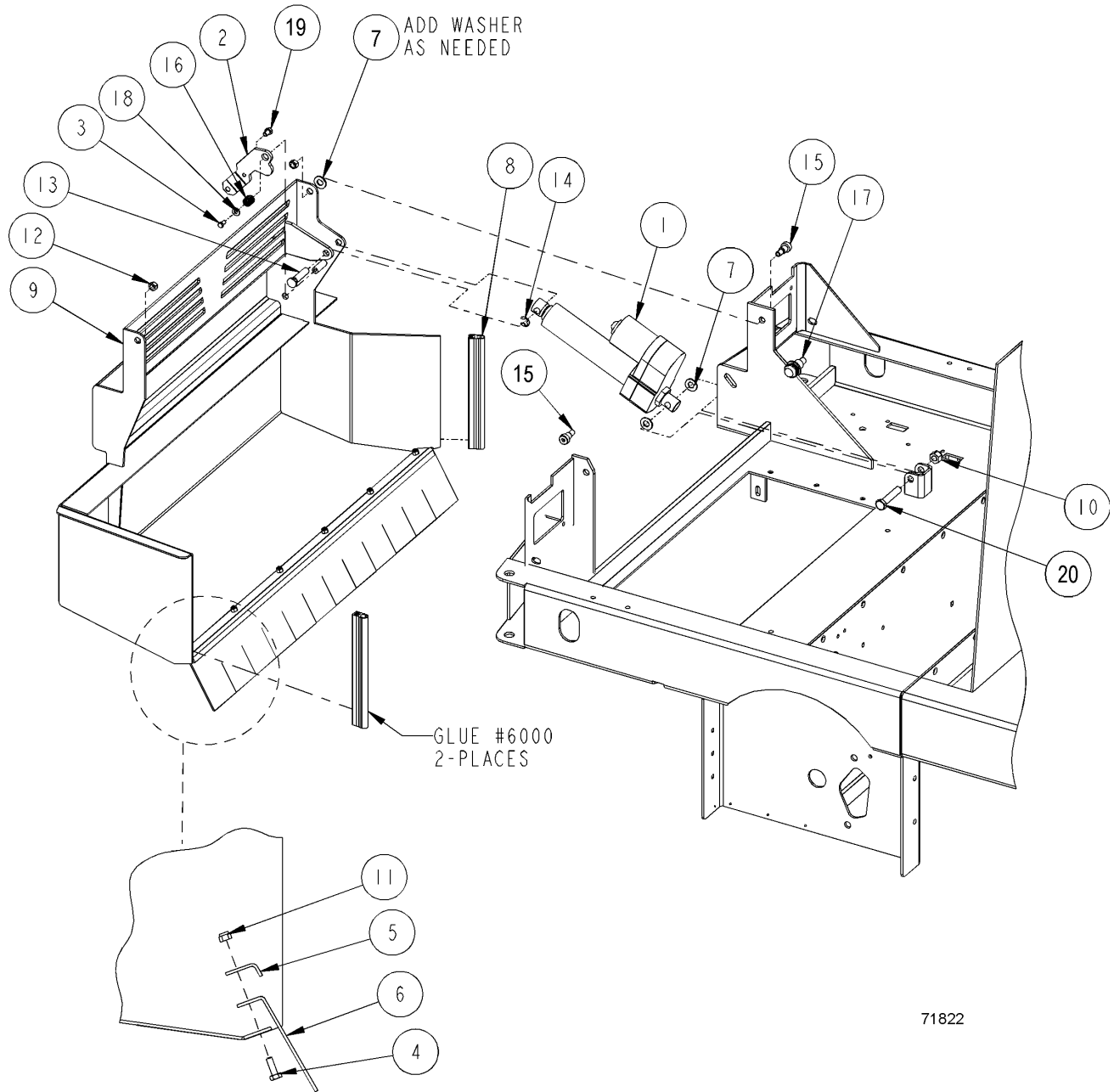
c1082/0403

HOPPER ASSEMBLY

<u>KEY NO.</u>	<u>QTY</u>	<u>PART NUMBER</u>	<u>DESCRIPTION</u>
1	1	0782-130	ACTUATOR, DUMP DOOR (36V)
2	1	7-03-04209	ARM, HOPPER SAFETY
3	1	2-00-00219	HEX BOLT, FIN., 1/4-20
4	6	2-00-00221	HEX BOLT, FIN., 1/4-20 x 3/4 LG
5	1	7-13-07201	CLAMP, HOPPER
6	1	7-25-08092	FLAP, HOPPER
7	3	2-00-00405	FLAT WASHER, 1.063 x .531 x .094
8	2	7-29-00259	GASKET, HOPPER
9	1	7-32-06026	HOPPER, POWER DUMP (WELDMENT)
10	1	2-00-04936	LOCKNUT, ELASTIC 1/2-13
11	6	2-00-00641	NUT, FIBER INSERT 1/4-20
12	2	2-95-04182	NUT, HEX STOP, 3/8-16
13	1	7-55-08167	PIN, HOPPER SHEAR
14	1	2-00-03280	RING, 1/2 RETAINING (E-STYLE)
15	2	2-00-05424	SCREW, HEX SOCKET SHOULDER, 3/8-16
16	1	7-76-00121	SPRING, HOPPER SAFETY ARM
17	1	7-82-00047	PROXIMITY SWITCH (LOW DUMP HOPPER)
18	1	2-00-03702	WASHER, .625 x .281 x .063
19	1	2-00-00224	SCR-HHC .313-18 X .50 GR 5 ZN
20	1	2-00-00247	SCREW-HHC .313-18 X 2.25

c1033/0403

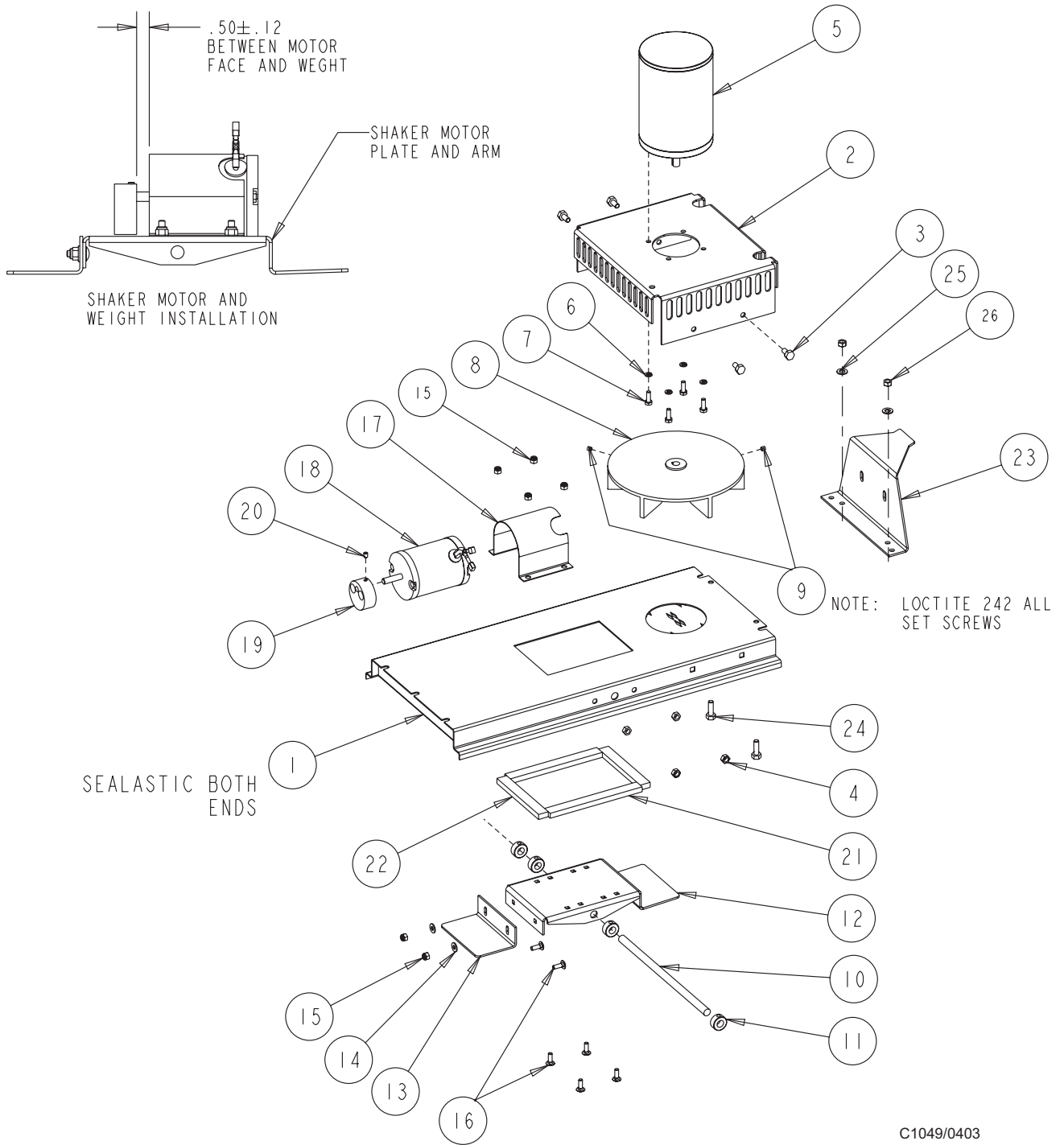
HOPPER ASSEMBLY



DUST CONTROL

<u>KEY NO.</u>	<u>QTY</u>	<u>PART NUMBER</u>	<u>DESCRIPTION</u>
1	1	8-48-00019	MANIFOLD, IMPELLOR (WELDMENT)
2	1	8-08-00796	BRACKET, IMPELLOR MOTOR & GUARD
3	4	2-00-00213	SCREW, .313-18 x .625 HHC
4	4	2-00-00644	HEX NUT, INSERT FIBER 5/16-18
5	1	0882-062	MOTOR, IMPELLOR (Motor brush: 0875-142/4 required)
6	4	2-00-00518	LOCK WASHER, 1/4 HEL. SPRNG
7	4	2-00-00221	HEX BOLT, FIN., 1/4-20x3/4 LG
8	1	8-23-00013	IMPELLOR
9	2	2-00-00263	SET SCREW, HS KNURLED CUP PT. #10-24 x 3/8
10	1	8-55-08114	PIN, SHAKER PIVOT
11	4	2-00-03589	COLLAR
12	1	7-58-05278	PLATE, SHAKER MOTOR
13	1	7-03-04135	ARM, SHAKER
14	2	2-00-03702	WASHER, .625 x .281 x .063
15	6	2-00-00641	NUT, 1/4-20 FIBER INSERT
16	6	2-00-03575	CARRIAGE BOLT, 1/4-20 x .75
17	1	8-16-07406	COVER, SHAKER MOTOR
18	1	0860-624	MOTOR, FILTER SHAKER (36V)
19	1	8-89-04019	WEIGHT, FILTER SHAKER
20	1	2-00-00264	SETSCREW, HS KNURLED CUP PT. 1/4-20 x 5/16
21	2	8-29-00228	GASKET, DUST CONTROL
22	2	8-29-00229	GASKET, DUST CONTROL
23	1	7-81-00219	SUPPORT, PIVOT (IMPELLOR MANIFOLD)
24	2	2-00-02708	HEX SCREW, 5/16-18 x 1.0
25	2	2-00-00409	FLAT WASHER, .687 x .344 x .062
26	2	2-00-00644	HEX NUT, 5/16-18 FIBER INSERT

c1049/0403

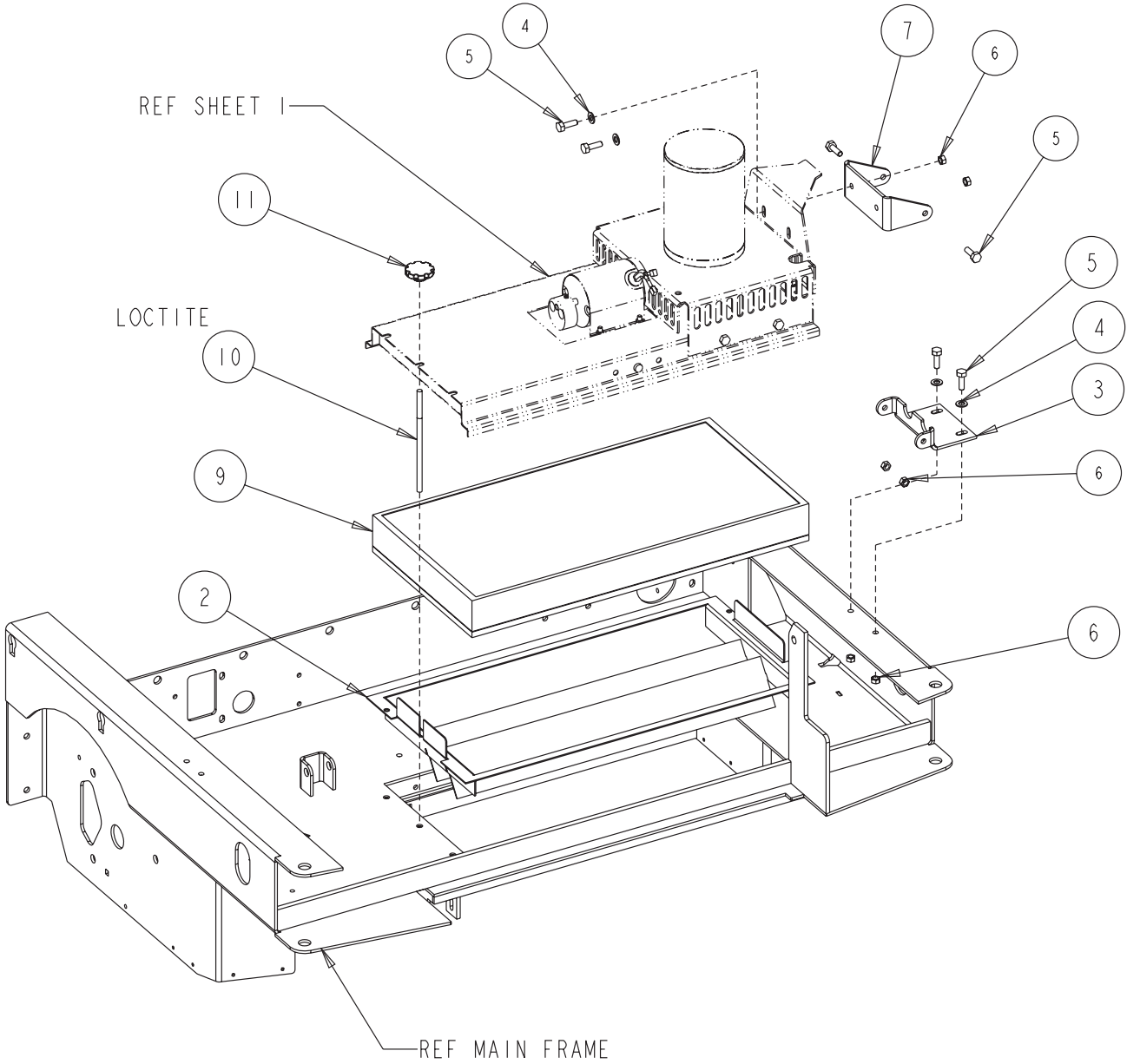


C1049/0403

DUST CONTROL (CON'T)

<u>KEY NO.</u>	<u>QTY</u>	<u>PART NUMBER</u>	<u>DESCRIPTION</u>
1	REF	7-27-07224	MAIN FRAME WELDMENT
2	1	7-05-01004	BAFFLE, FILTER
3	1	7-08-00960	BRACKET, MANIFOLD PIVOT
4	6	2-00-00409	FLAT WASHER, .687 x .344 x .062
5	8	2-00-02708	HEX SCREW, 5/16-18 x 1.0
6	12	2-00-00644	HEX NUT, INSERT FIBER 5/16-18
7	1	7-57-05061	PIVOT, IMPELLOR MANIFOLD
8	4	2-00-00213	SCREW, .313-18 x .625 HHC
9	1	8-24-04074-1 8-24-04074-2	FILTER, PANEL POLY PANEL FILTER OPTION
10	1	8-80-05038	ROD, THREADED 5/16-18
11	1	7-39-00006	KNOB

c1050/0403



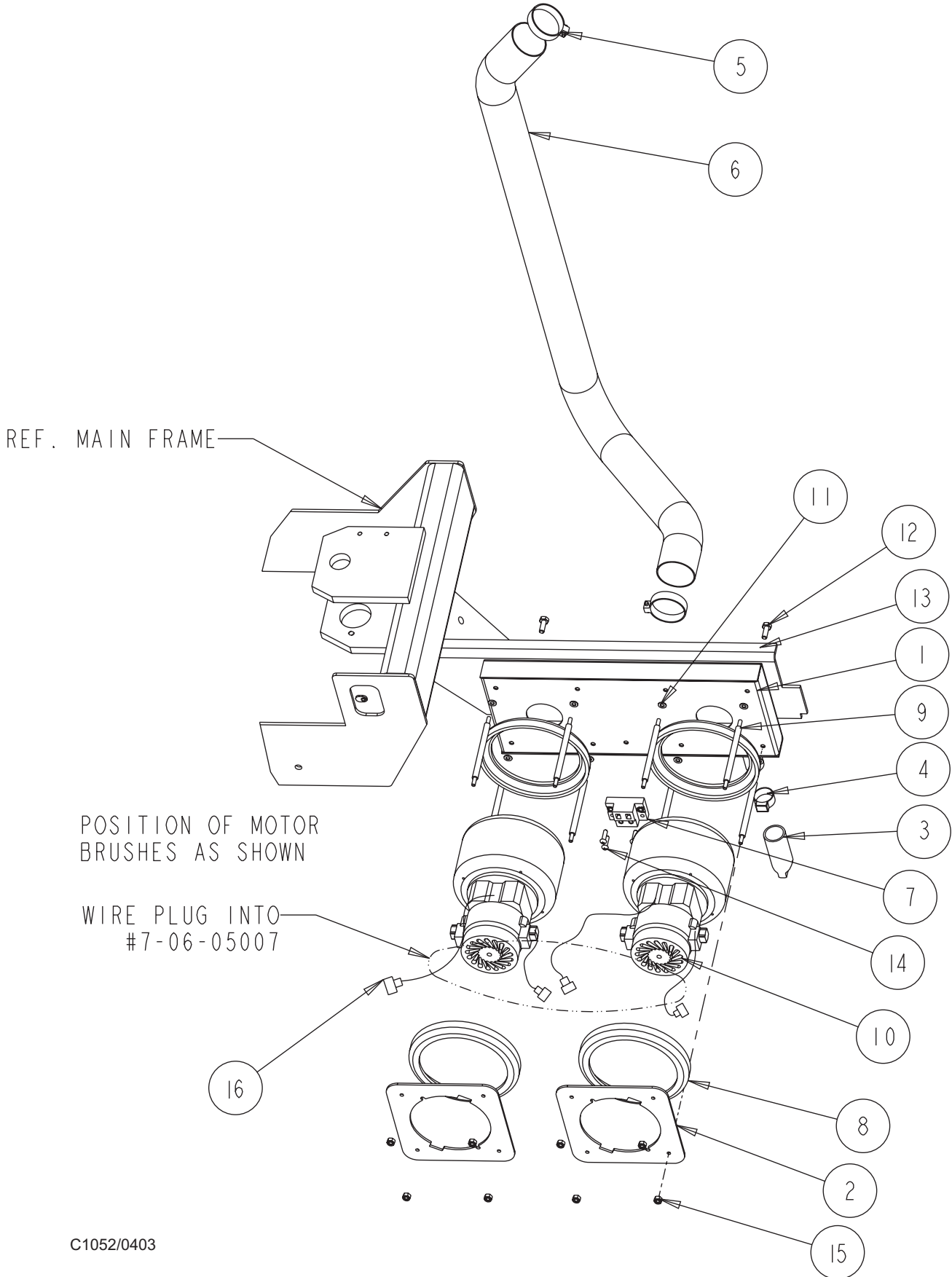
C1050/0403

VAC MANIFOLD SYSTEM

<u>KEY NO.</u>	<u>QTY</u>	<u>PART NUMBER</u>	<u>DESCRIPTION</u>
1	1	7-48-00036	VAC MANIFOLD
2	2	7-58-05213	PLATE, VAC MOTOR MOUNT
3	1	8-88-00016	VALVE, DUST UNLOADER
4	1	2-00-03407	CLAMP, HOSE (WITTECK #10P)
5	2	2-00-02216	CLAMP, HOSE
6	1	7-33-02395	HOSE, FLEXIBLE (43" LONG)
7	1	7-06-05007	BLOCK, TERMINAL
8	4	2-22-00003	GASKET
9	8	7-80-05083	STUD, VAC MOTOR
10	2	0782-117	MOTOR, VAC FAN (36V)
11	8	2-00-00423	FLAT WASHER, .50 x .219 x .063
12	2	2-00-00221	SCREW, 1/4-20 x .75 HHC
13	2	2-00-00518	LOCK WASHER, HELICAL SPRING
14	4	2-00-00056	SCREW, #10-24 x .75 RHM
15	8	2-00-01246	HEX NUT, FIBER INSERT #10-24
16	4	2-00-04708	TERMINAL

c1052/0403

VAC MANIFOLD SYSTEM



C1052/0403

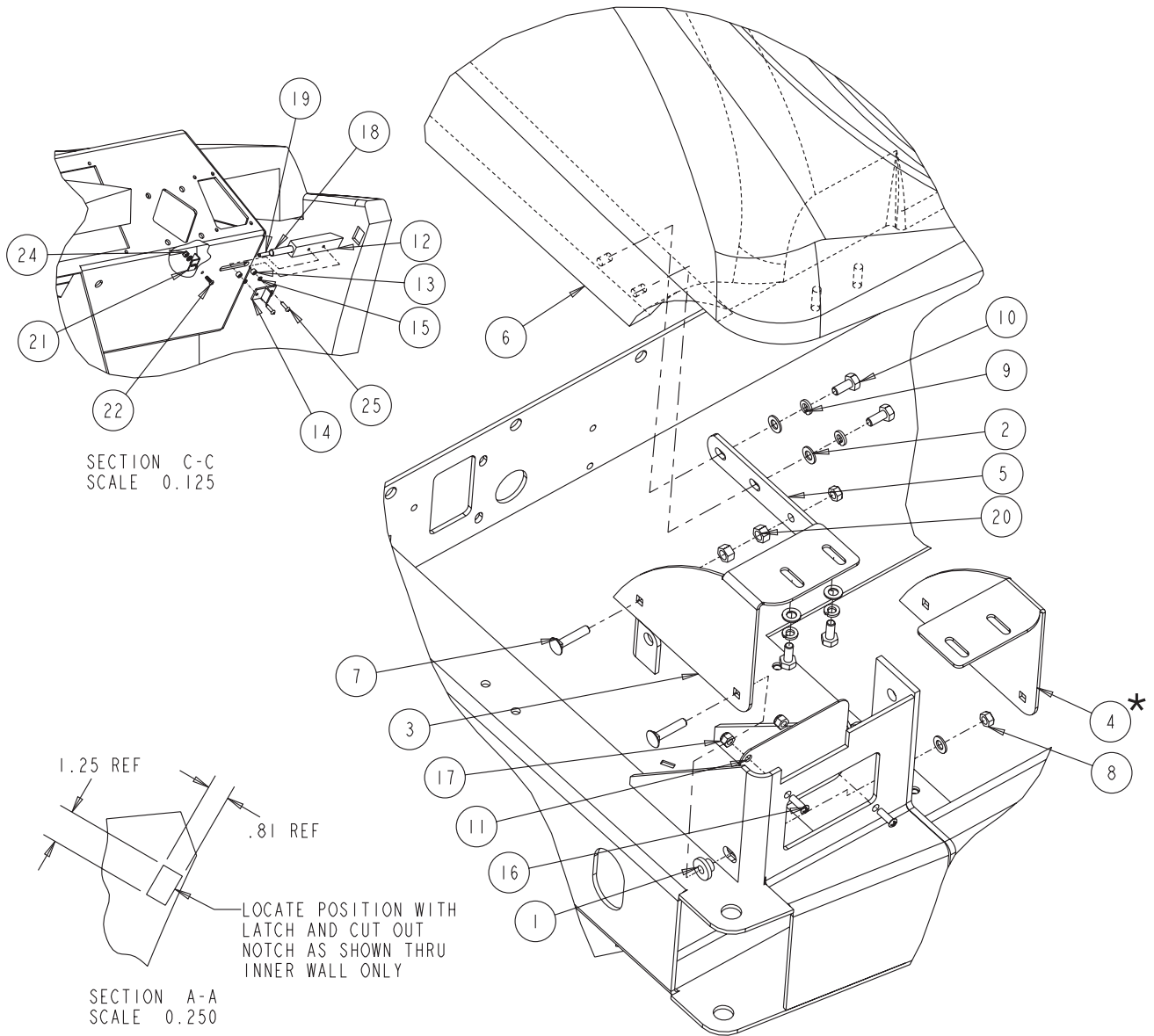
FRONT COVER & LATCHES

<u>KEY NO.</u>	<u>QTY</u>	<u>PART NUMBER</u>	<u>DESCRIPTION</u>
1	2	0760-719	BUSHING, BRUSH LIFT
2	10	2-00-00409	FLAT WASHER, .687 x .344 x .062
3	1	7-57-05059	PIVOT, COVER (RH)
4	1	7-57-05060	PIVOT, COVER (LH)
5	2	7-18-08003	DETENT, COVER PIVOT
6*	1	7-16-07400-1	COVER, HOPPER/BATTERY
7	4	2-00-03994	CAR. BOLT, 5/16-18 x 1.75
8	4	2-00-00644	HEX NUT, INSERT FIBER 5/16-18
9	8	2-00-00530	LOCK WASHER, 5/16
10	8	2-00-00208	SCREW, 5/16-18 x .75 HHC
11	2	7-58-05293	PLATE, LIGHT PLATE
12	1	7-41-00044	LATCH, HOOD
13	2	7-75-01205	SPACER, LATCH
14	1	7-31-06078	HANDLE, COVER LATCH
15	2	2-00-00519	LOCK WASHER, #10-24 HELICAL SPRING
16	4	2-00-00051	SCREW, 1/4-20 x 3/4 RHM
17	4	2-00-00641	NUT, FIBER INSERT 1/4-20
18	1	7-76-00120	SPRING, COMPRESSION
19	1	2-00-03635	PIN, ROLL
20	4	2-00-02360	HEX NUT, 3/8-16
21	1	7-08-01147	BRACKET, LATCH SPRING HOLDER
22	1	2-00-04794	SCREW, #10-24 x .63 BHS
23	1	2-00-00426	FLAT WASHER, .50 x .219 x .063
24	1	2-00-01246	NUT, ELASTIC STOP #10-24
25	2	2-00-00056	SCREW, #10-24 X .75 RHM

*IF REPLACING ITEM #6, YOU MUST ALSO ORDER:
1 OF 8-18-00525 (AMERICAN-LINCOLN LOGO DECAL)
(REFERENCE PAGE 2-80 THRU 2-83 FOR PLACE MENT)

c1077/0403

FRONT COVER & LATCHES



C1077/0403

SEAT ASSEMBLY

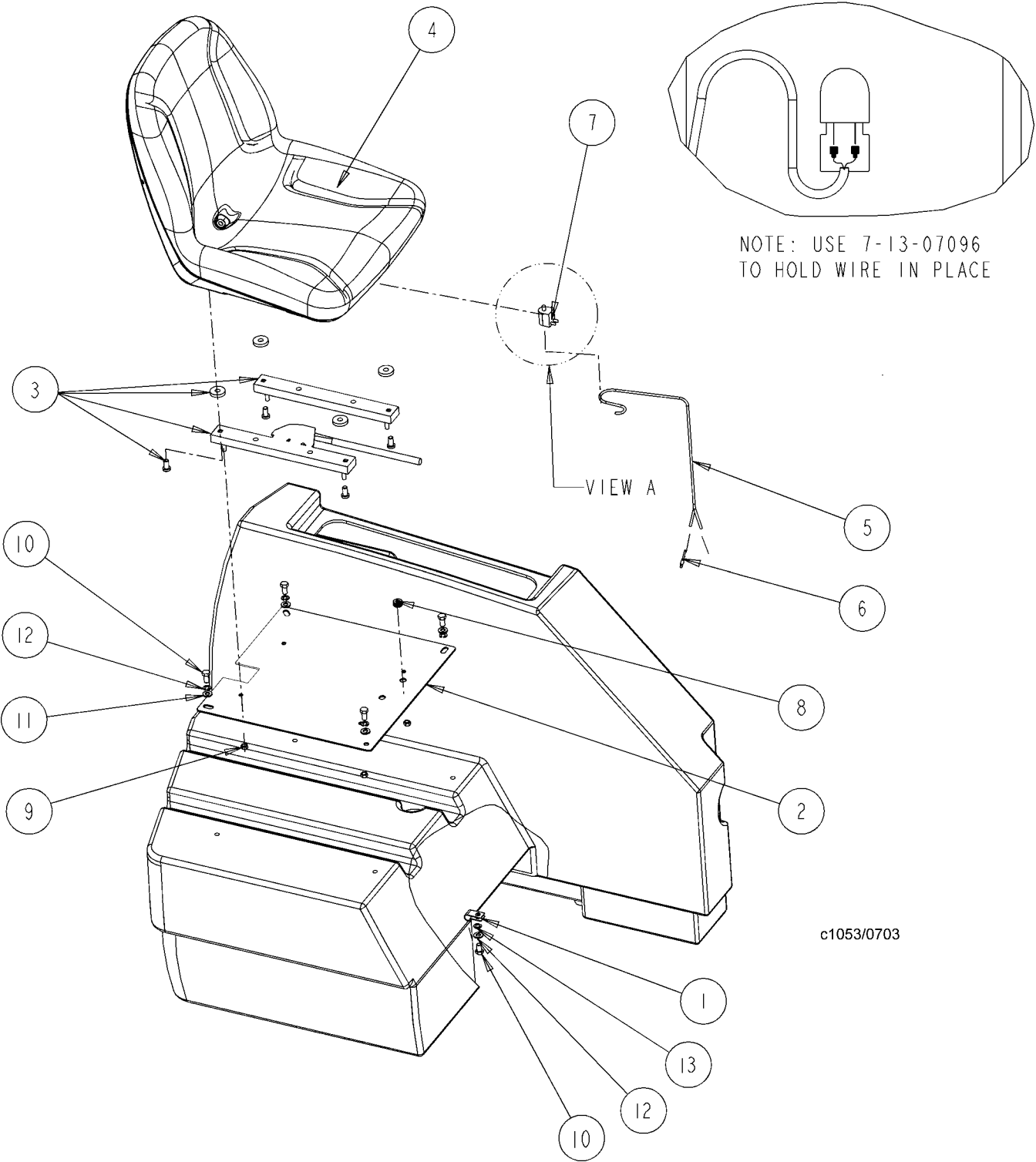
<u>KEY NO.</u>	<u>QTY</u>	<u>PART NUMBER</u>	<u>DESCRIPTION</u>
1	1	2-00-04873	CLAMP, CABLE
2	1	7-58-05297	PLATE, SEAT MOUNTING
3	1	7-72-05005	SEAT ADJUSTER KIT
4#	1	7-69-00008	SEAT
5	1	0875-126	HARNESS, WIRE
6	2	2-00-04578	TERMINAL (.156 MALE)
7#	1	7-82-00050	SWITCH, SEAT
8	1	2-00-00491	GROMMET
9	4	2-00-00644	NUT, INSERT FIBER, 5/16-18
10	5	2-00-00232	SCREW, 3/8-16 x .75 HHC
11	4	2-00-00410	FLAT WASHER, .75 x .390 x .094
12	5	2-00-02310	LOCK WASHER, 3/8 HEL. SPRNG
13	1	2-00-00402	FLAT WASHER, .75 x .391 x .093

= Revised or new since last update

c1053/0703

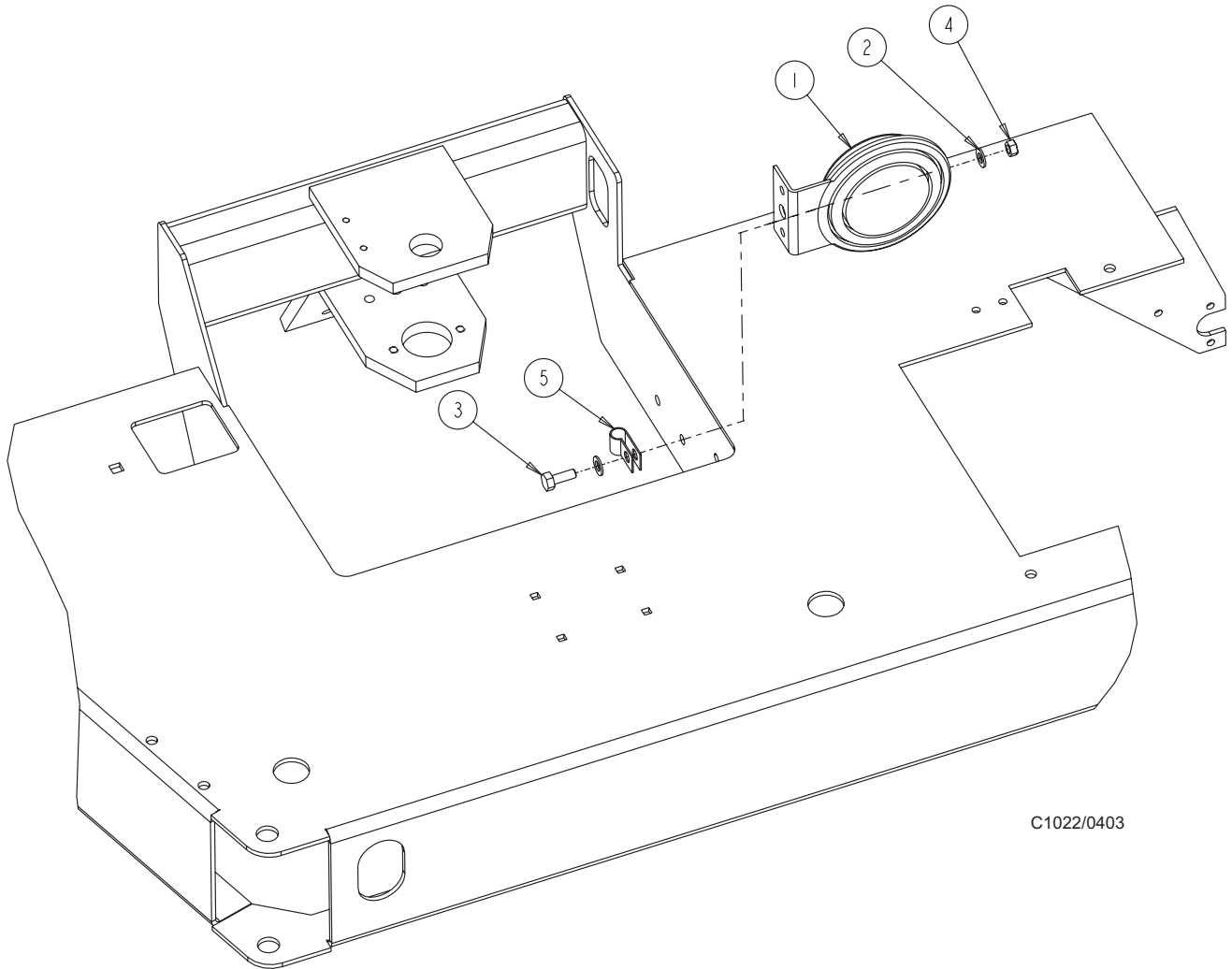
SEAT ASSEMBLY

**VIEW A FOR THE
SEAT SWITCH ASS'Y**



c1053/0703

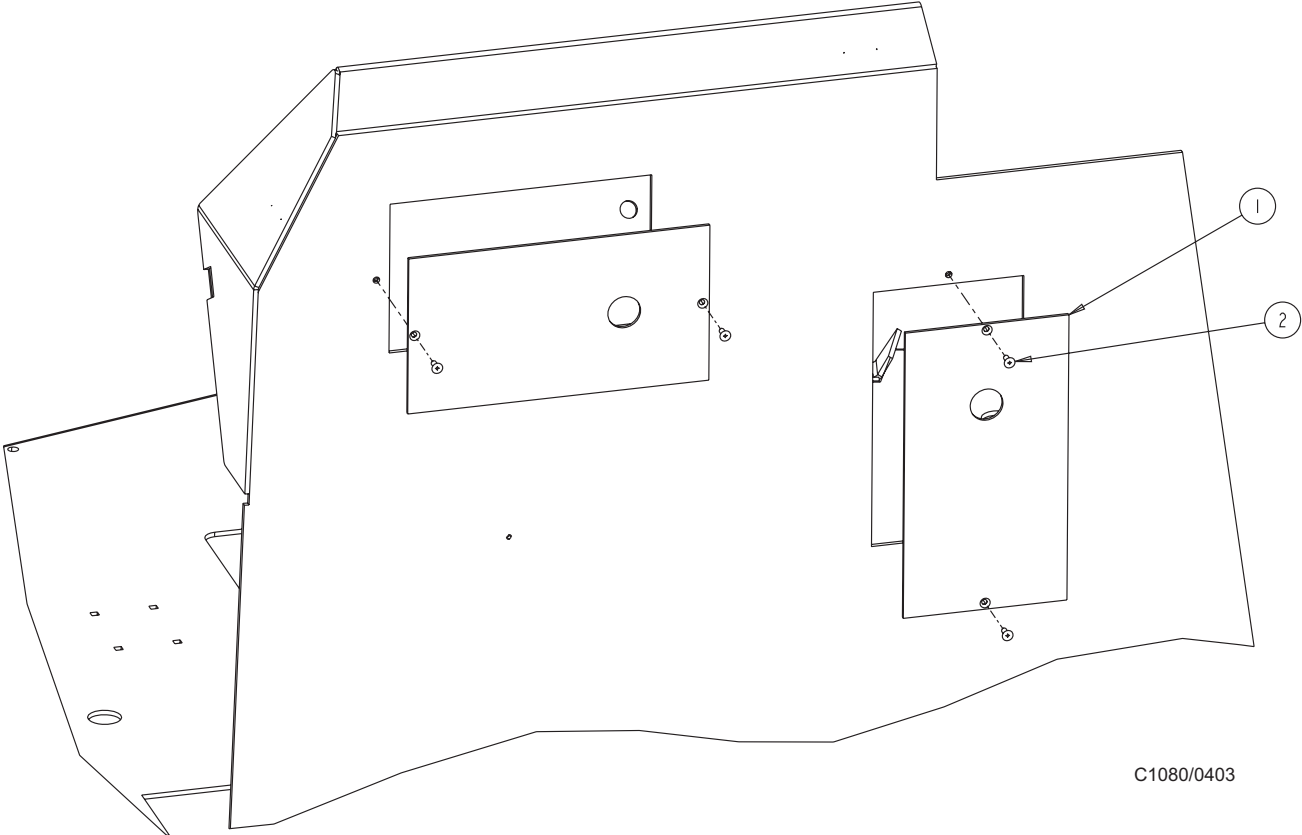
HORN ASSEMBLY



C1022/0403

<u>KEY NO.</u>	<u>QTY</u>	<u>PART NUMBER</u>	<u>DESCRIPTION</u>
1	1	8-32-09008	HORN
2	2	2-00-00409	FLAT WASHER, .687 x .344 x .062
3	1	2-00-00208	SCREW, 5/16-18 X .75 HHC
4	1	2-00-00644	HEX NUT, INSERT FIBER, 5/16-18
5	1	2-00-04873	CLAMP, CABLE

c1022/0403



C1080/0403

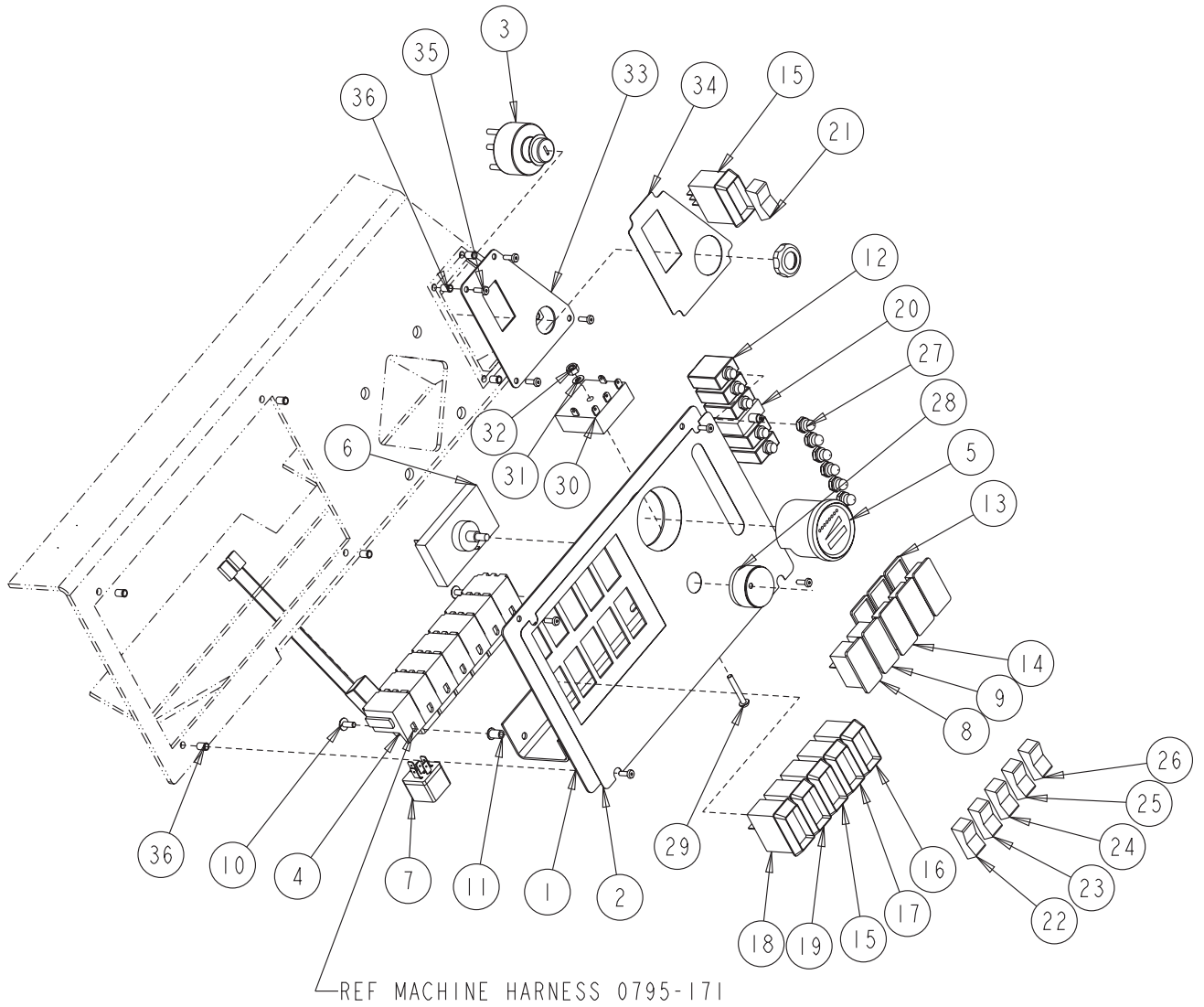
<u>KEY NO.</u>	<u>QTY</u>	<u>PART NUMBER</u>	<u>DESCRIPTION</u>
1	2	7-16-07432	COVER, STEERING ACCESS
2	4	2-00-00011	SCREW, #10-24 x 1/2 FHMS

c1080/0403

INSTRUMENT PANEL

<u>KEY NO.</u>	<u>QTY</u>	<u>PART NUMBER</u>	<u>DESCRIPTION</u>
1	1	7-52-00194	PANEL, INSTRUMENT
2	REF	8-18-00513	DECAL, INSTRUMENT PANEL
3	1	8-82-00041	KEY SWITCH (IGNITION)
4	1	8-82-00030	HORN SWITCH, PUSH BUTTON
5	1	0785-095	HOBBSMETER
6	1	2-00-05904	SOLENOID CONTROLLER, 1 Hz
7	7	7-64-00037	RELAY, 36V w/DIODE ASSEMBLY
8	1	2-00-05857	LIGHT, HIGH RECOV./LOW SOLUT.
9	1	2-00-05858	LIGHT, HOPPER OPEN
10	2	2-00-03061	SCREW, #10-24 x 1.0 TRUSS HEAD
11	2	2-00-05262	INSERT, 10-24 THREAD
12	5	8-64-00007	CIRCUIT BREAKER, 10 AMP
13	3	2-00-05869	GASKET, SWITCH
14	3	2-00-05868	SWITCH PLUG, SEALED PANEL
15	2	2-00-05827	SWITCH BODY
16	1	2-00-05828	ROCKER SWITCH BODY, HOPPER
17	1	2-00-05829	Rocker Switch Body, Dust Control
18	1	2-00-05830	ROCKER SWITCH BODY, SCRUB MODE
19	1	2-00-05831	ROCKER SWITCH BODY, SQUEEGEE
20	1	8-64-00008	CIRCUIT BREAKER, 15 AMP
21	1	2-00-05834	ACTUATOR, FORWARD/REVERSE
22	1	2-00-05850	ACTUATOR, SCRUB MODE
23	1	2-00-05849	ACTUATOR, SQUEEGEE
24	1	2-00-05852	ACTUATOR, BROOM
25	1	2-00-05851	ACTUATOR, DUST CONTROL
26	1	2-00-05853	ACTUATOR, HOPPER
27	6	8-11-00044	BOOT
28	1	7-39-00028	KNOB, SOLUTION FLOW MODULE
29	1	2-00-00071	SCREW, #10-24 x 1.25 LG
30	1	8-64-00020	RELAY, TIME DELAY (20 SEC)
31	1	2-00-00426	FLAT WASHER, .50 x .219 x .063
32	1	2-00-01246	NUT, ELASTIC STOP #10-24
33	1	7-52-00196	PANEL, FWD/REV SWITCH
34	REF	8-18-00497	DECAL, IGNITION SWITCH
35	8	2-00-05923	SCREW, #8-32 x .50 BHSC
36	8	2-00-05324	INSERT, #8-32 THREAD

c1034/0803



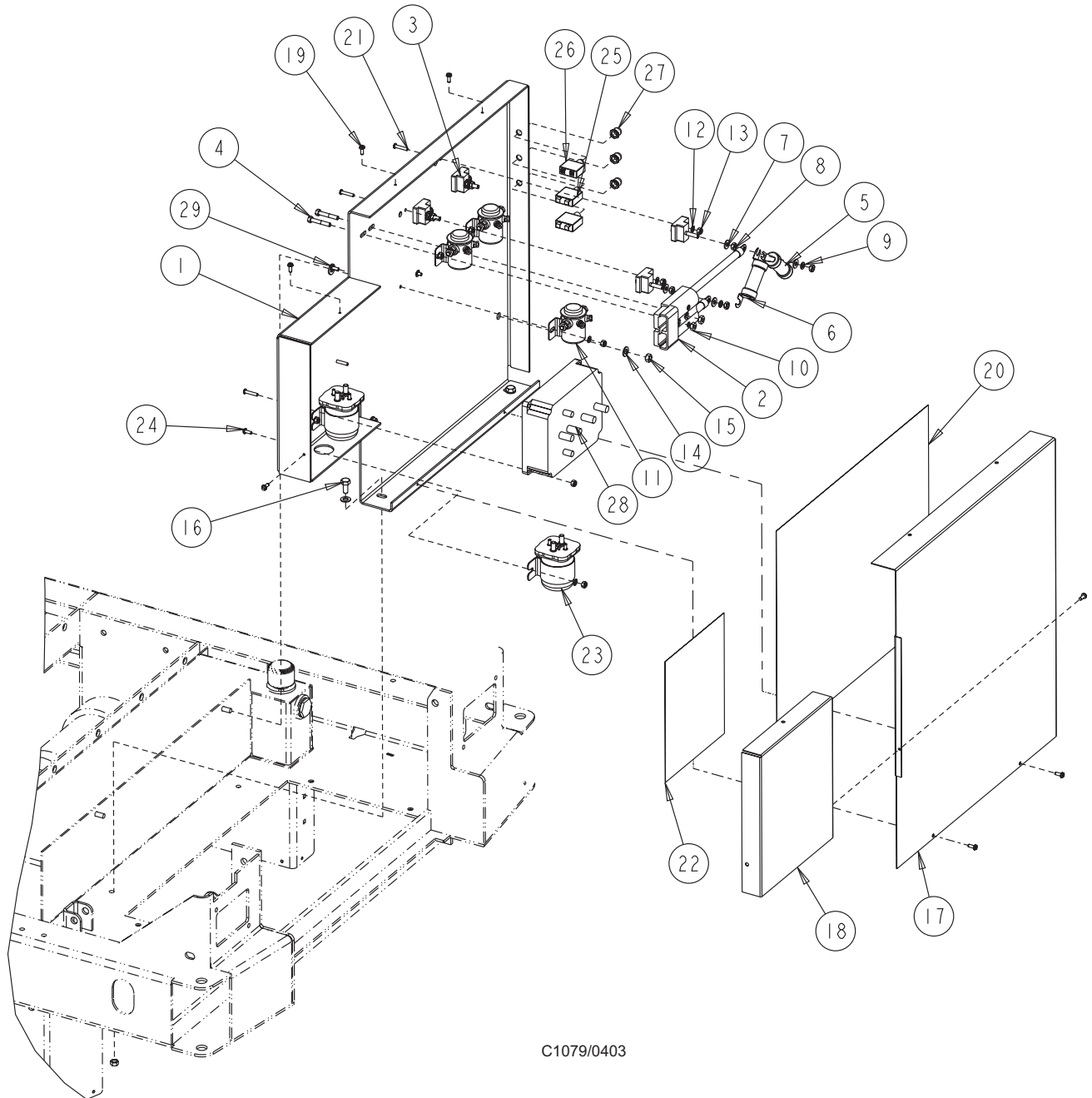
C1034/0403

POWER PANEL

<u>KEY NO.</u>	<u>QTY</u>	<u>PART NUMBER</u>	<u>DESCRIPTION</u>
1	1	7-52-00193	PANEL, POWER
2	1	0795-173	HARNESS, POWER PANEL - BATTERY
3	4	8-06-05004	TERMINAL BLOCK
4	2	2-00-00203	HEX SCREW, 1/4-20 x 1.50
*5	1	8-28-05019	FUSE (70 AMP) ACK-70 (Cooper-Bussmann PN)
*6	1	8-28-05021	FUSE (120 AMP) ACK-120 (Cooper-Bussman PN)
7	8	2-00-03702	WASHER, .625 x .281 x .063
8	8	2-00-00594	HEX NUT, 1/4-20
9	4	2-00-00518	LOCK WASHER, 1/4 HEL. SPRNG
10	2	2-00-02336	NUT, SPECIAL
11	3	2-00-04825	SOLENOID
12	14	2-00-00426	FLAT WASHER, .50 x .219 x .063
13	18	2-00-01246	NUT, ELASTIC STOP #10-24
14	4	2-00-00409	FLAT WASHER, .687 x .344 x .062
15	4	2-00-00644	HEX NUT, INSERT FIBER 5/16-18
16	2	2-00-00208	SCREW, 5/16-18 x .75 HHC
17	1	7-16-07460	COVER, POWER PANEL
18	1	7-16-07463	COVER, POWER PANEL
19	7	2-00-03940	SCREW, T/C HH #10-24 x .50 LG
20	1	7-35-00023	INSULATION, PWR. PANL. COVER
21	8	2-00-00039	SCREW, #10-24
22	1	7-35-00024	INSULATION, PWR. PANL. COVER
23	2	7-15-08009	CONTACTOR, WR-TYPE 586 SPNO
24	10	2-00-00049	SCREW, RHM 10-24 x .50 ZN PL
25	2	7-64-00032	CIRCUIT BREAKER, 50 AMP
26	1	7-64-00025	CIRCIUT BREAKER, 25 AMP
27	3	8-11-00051	CAP, CLEAR BOOT
28	1	0785-107	CONTROLLER, TRACTION DRIVE
29	2	2-00-00402	WASHER, 25/64 ID x 3/4 OD

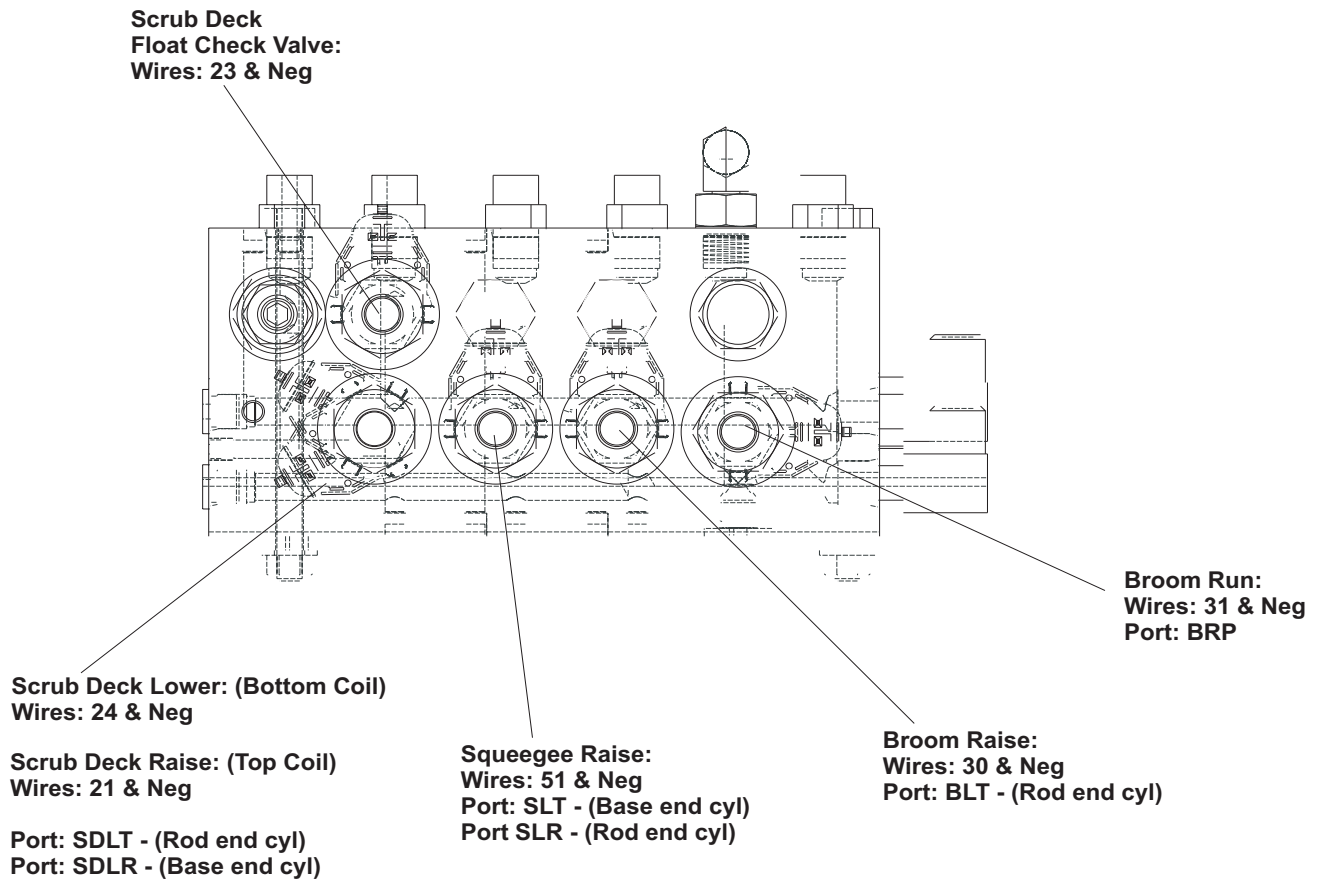
*These fuses manufactured by: Cooper-Bussman, Inc., P.O. Box 14460, St. Louis, MO 63178-4460

c1079/7-05



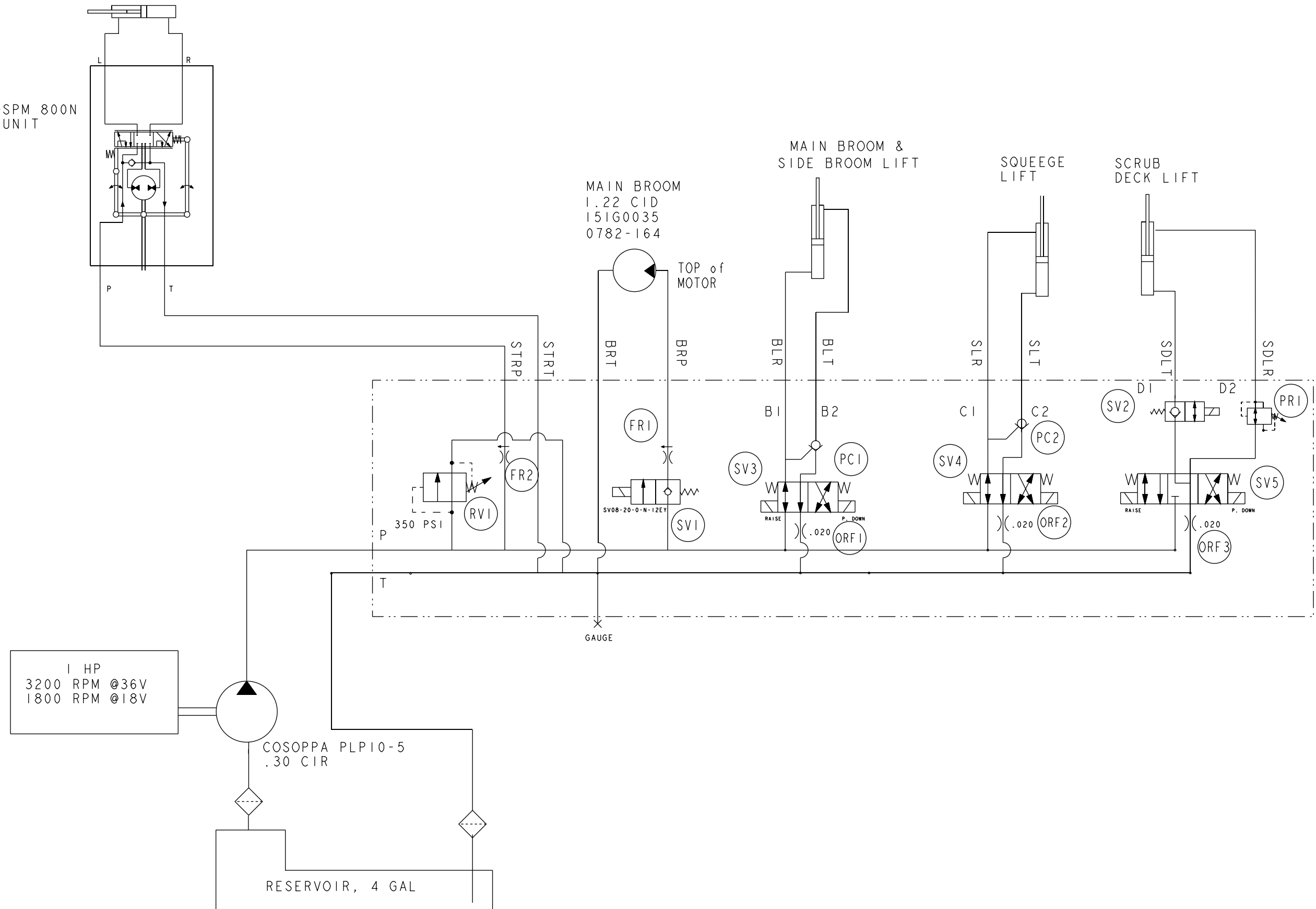
C1079/0403

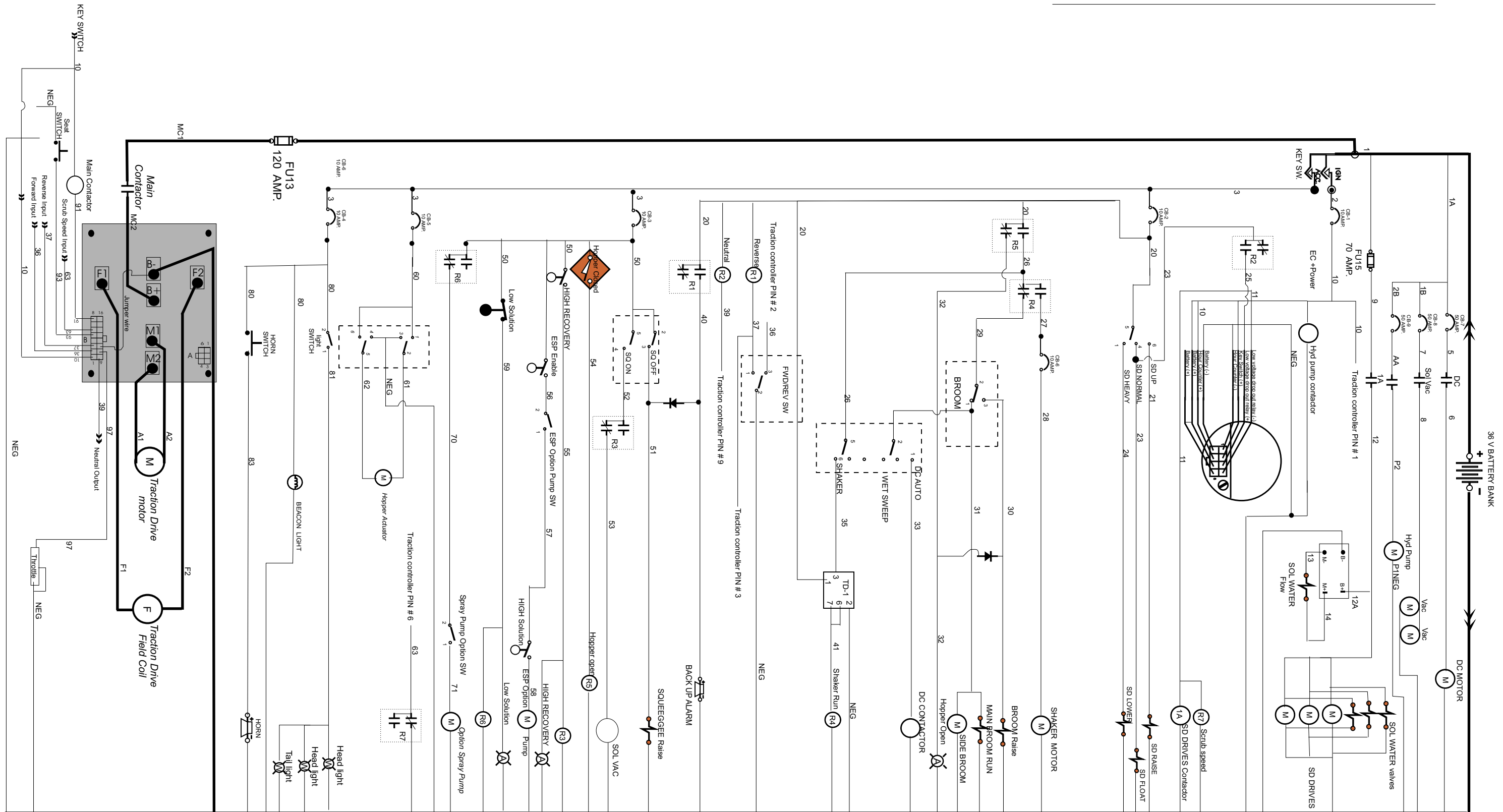
HYDRAULIC MANIFOLD CONNECTIONS

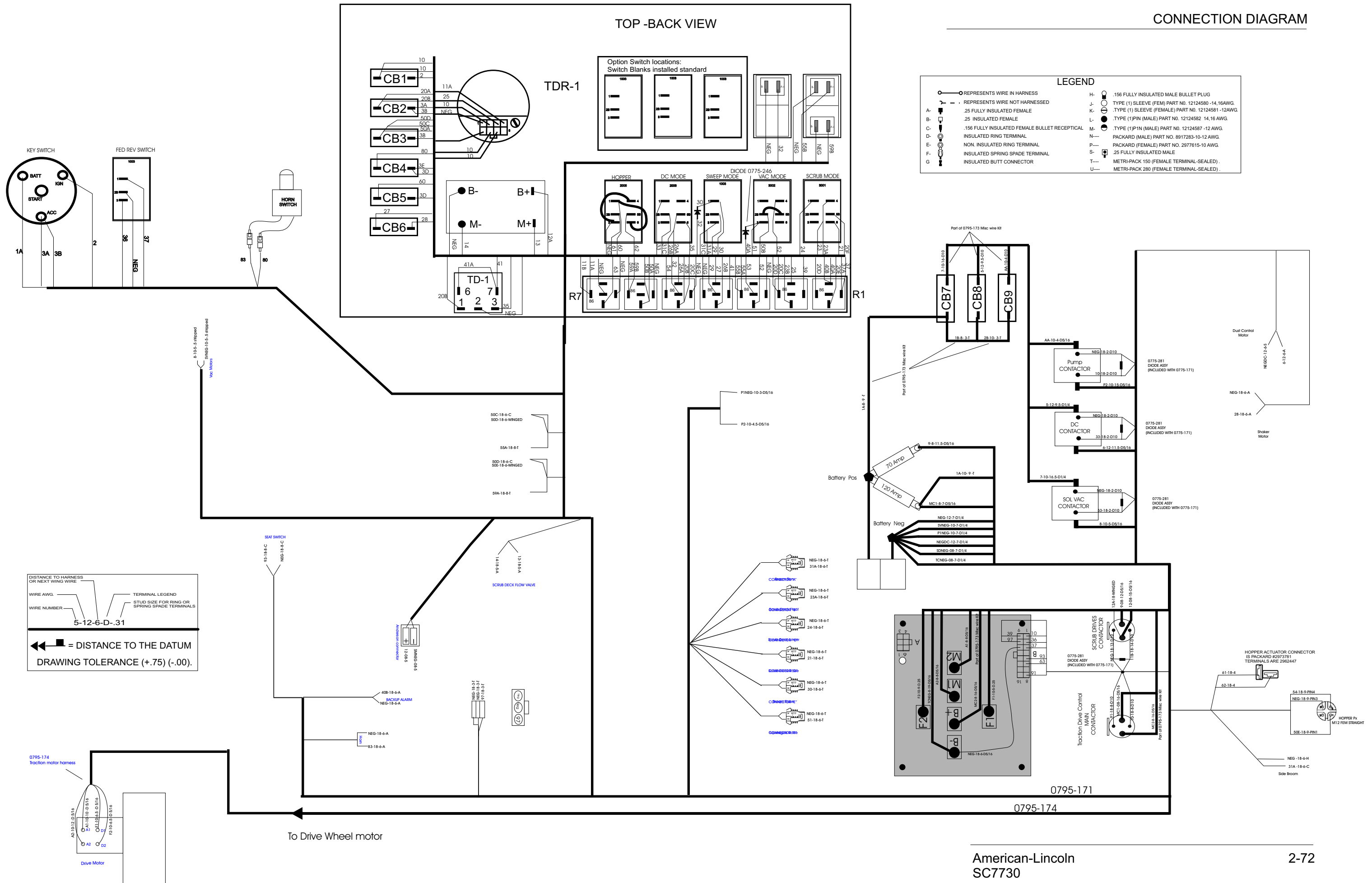


HYDRAULIC SCHEMATIC

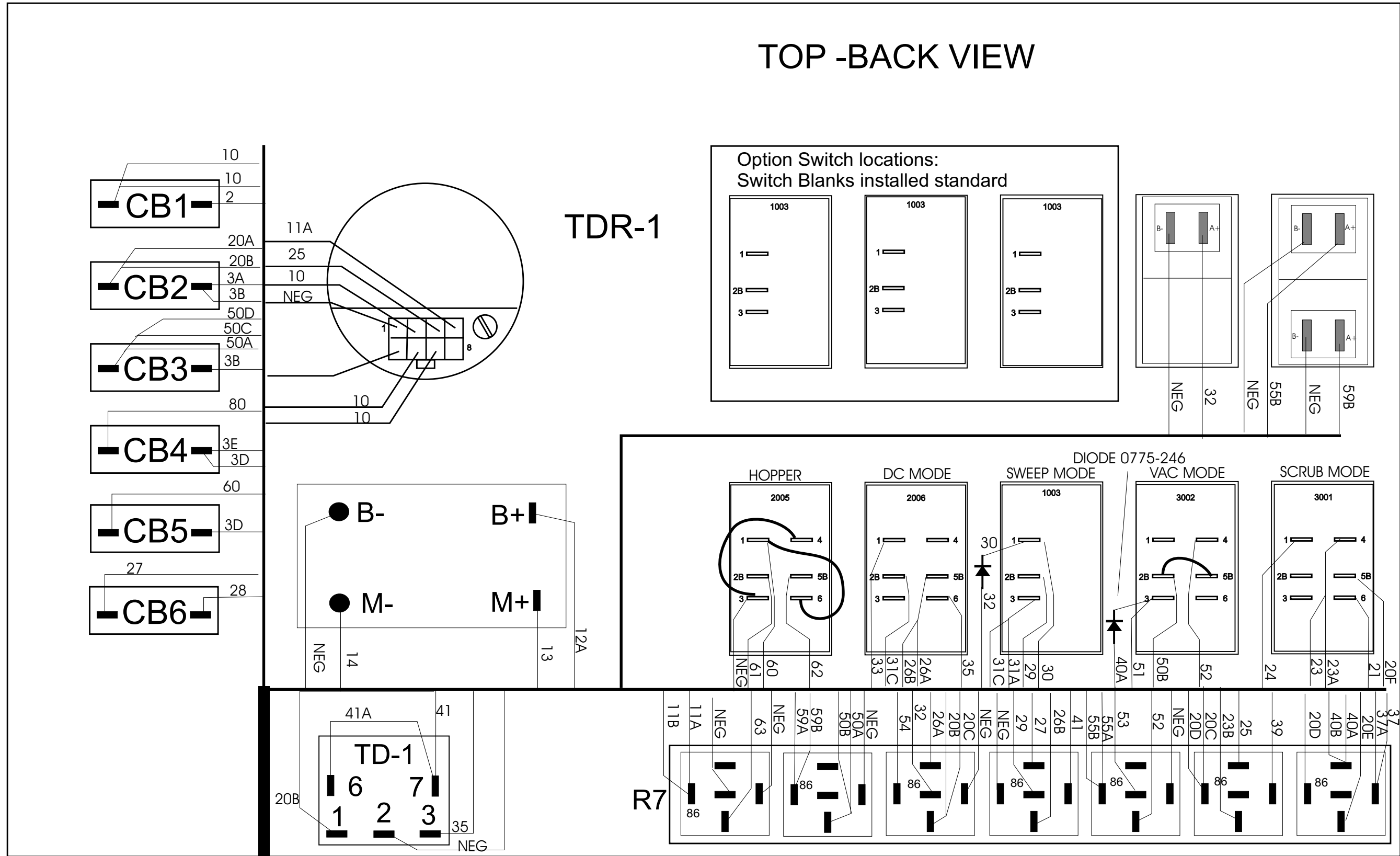
DANFOSS DSPM 800N
STAIRING UNIT
4.88 CIR



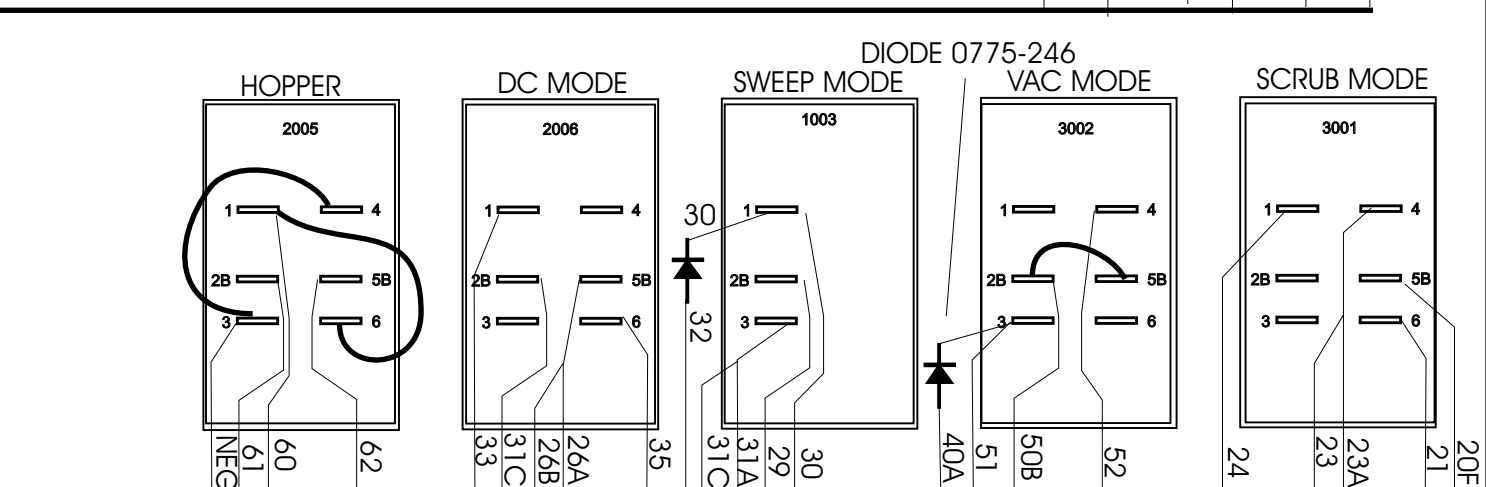
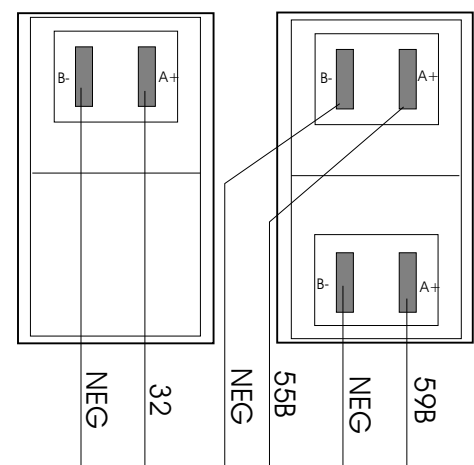
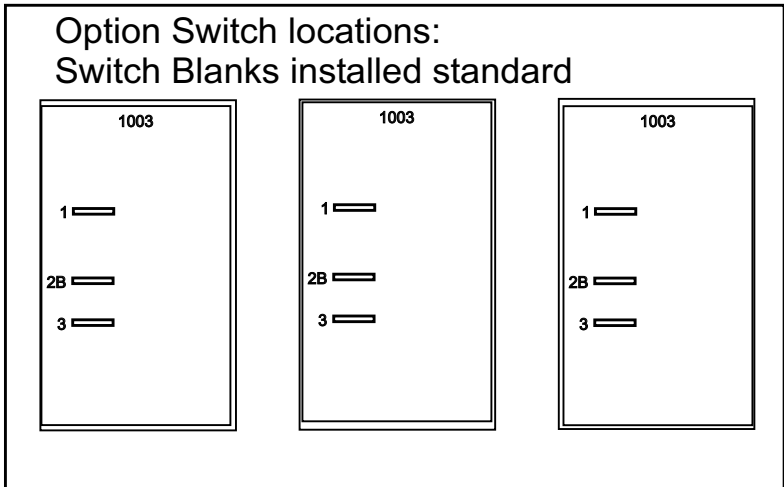




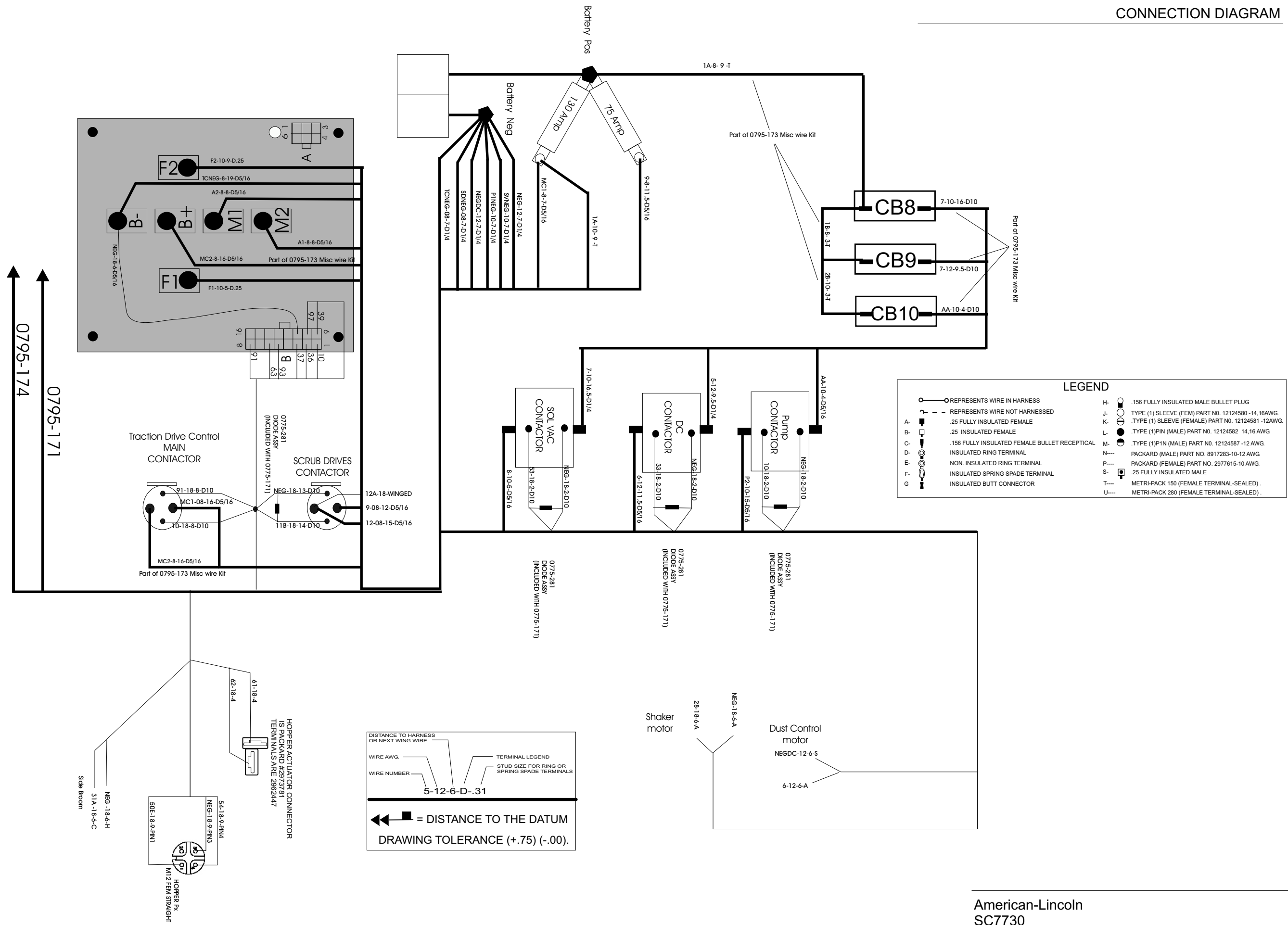
TOP -BACK VIEW

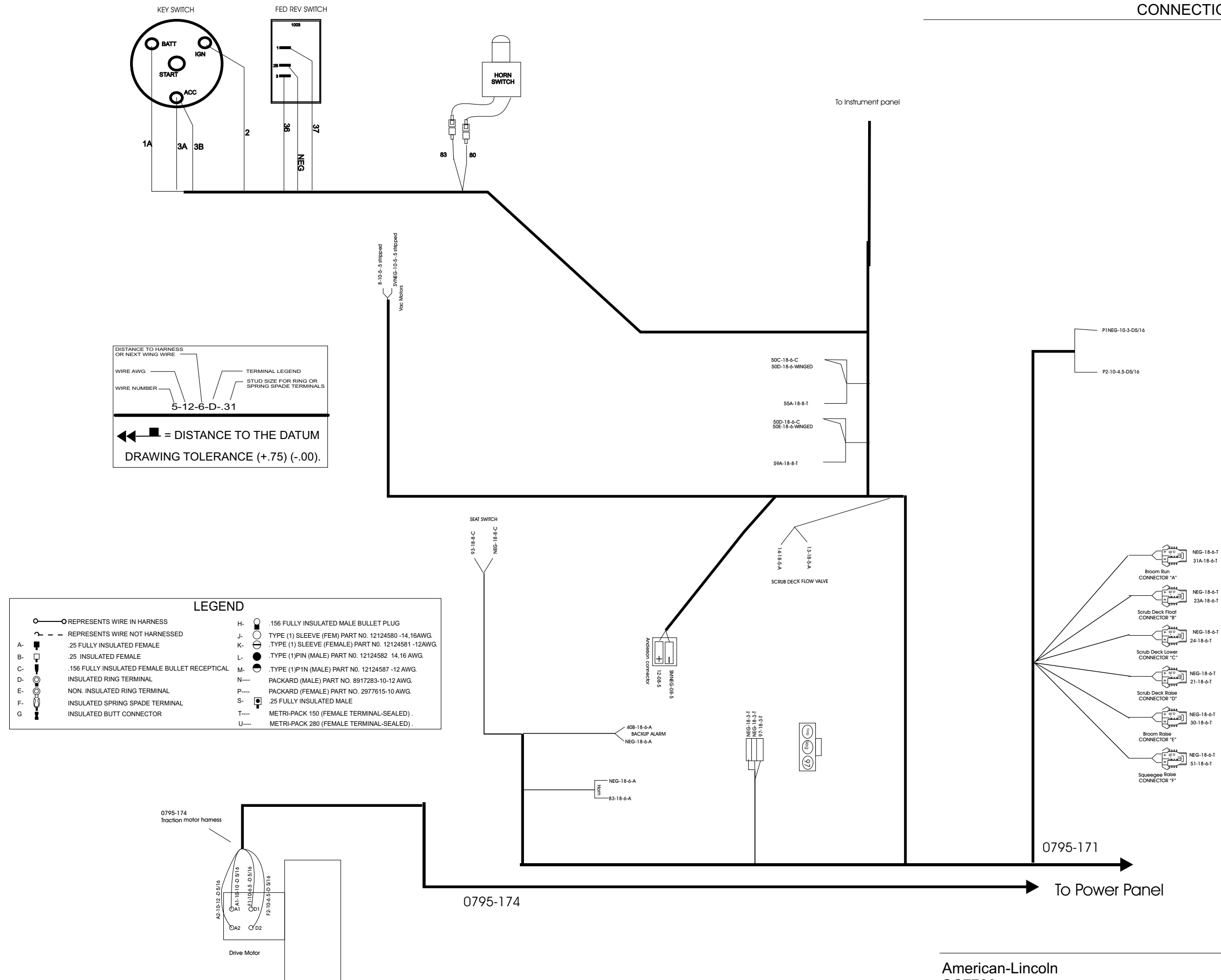


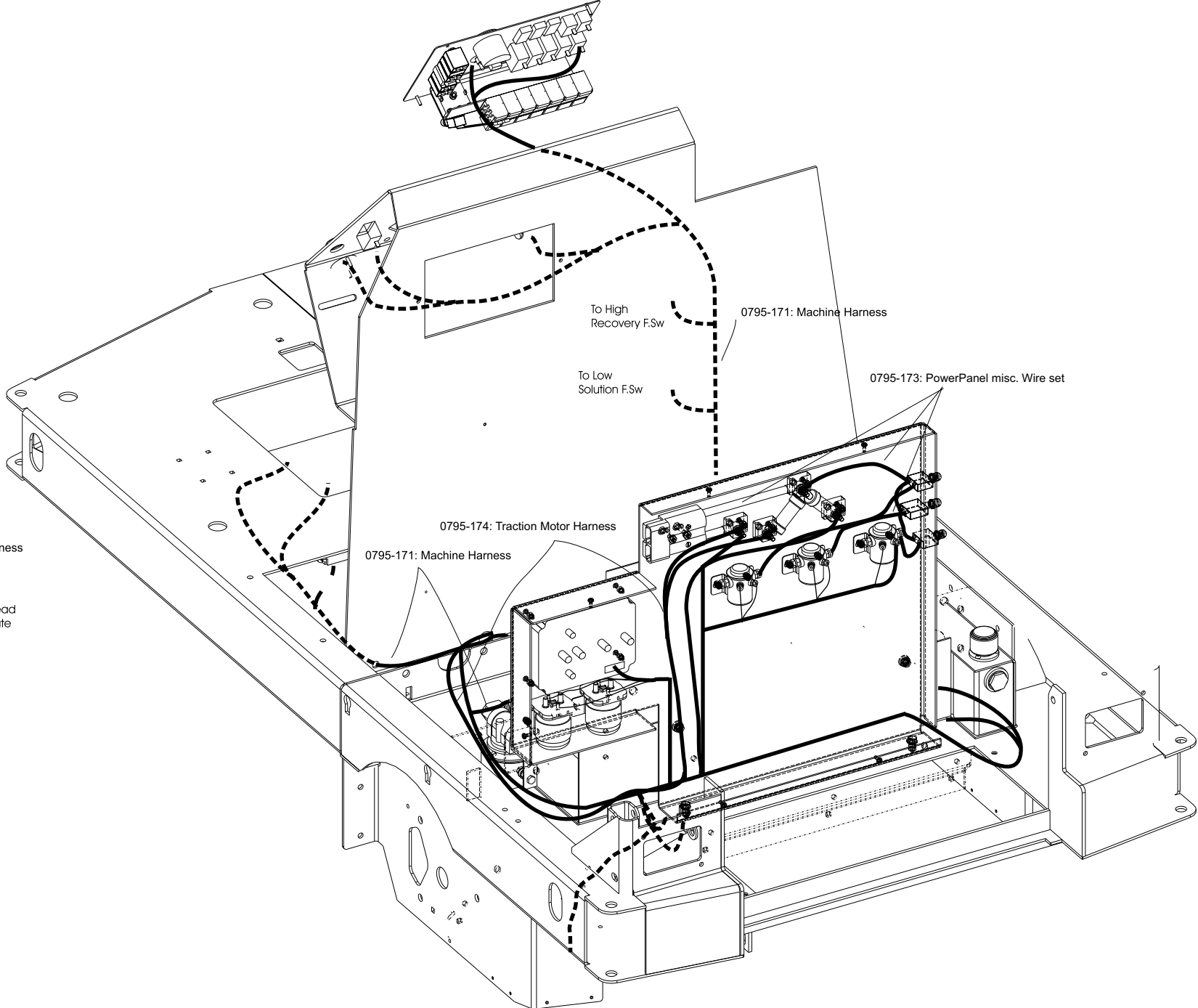
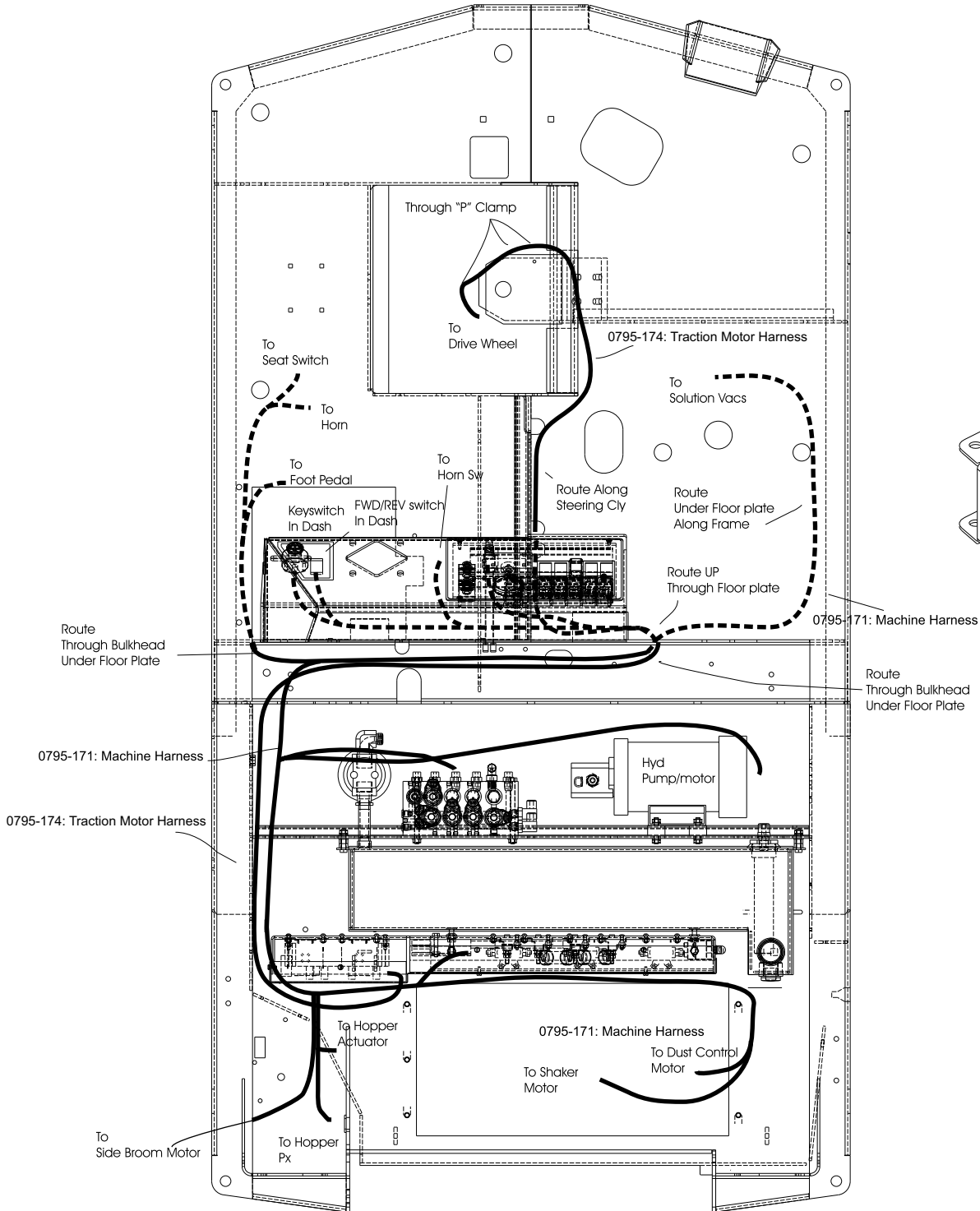
TDR-1

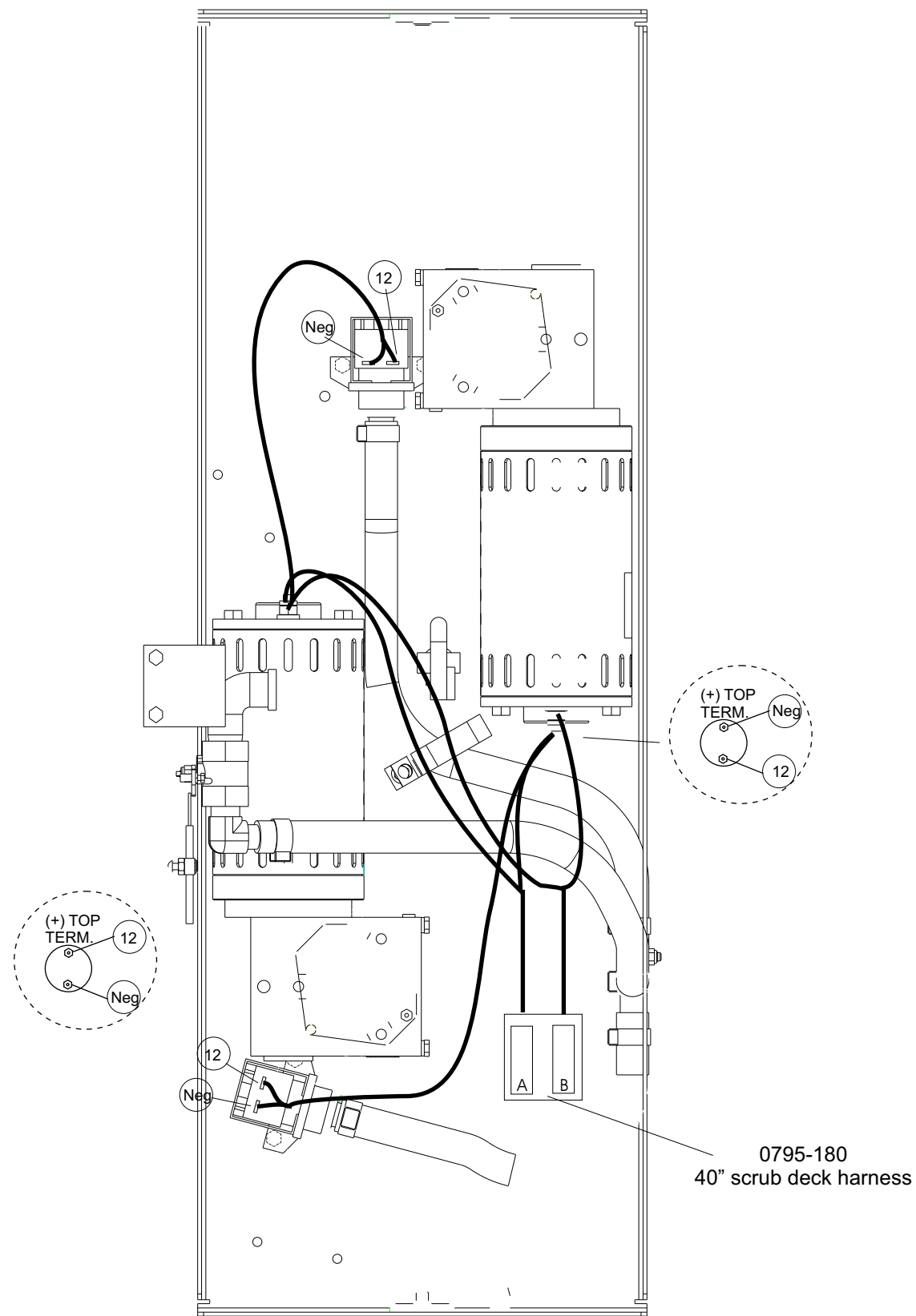


Machine harness
0795-171

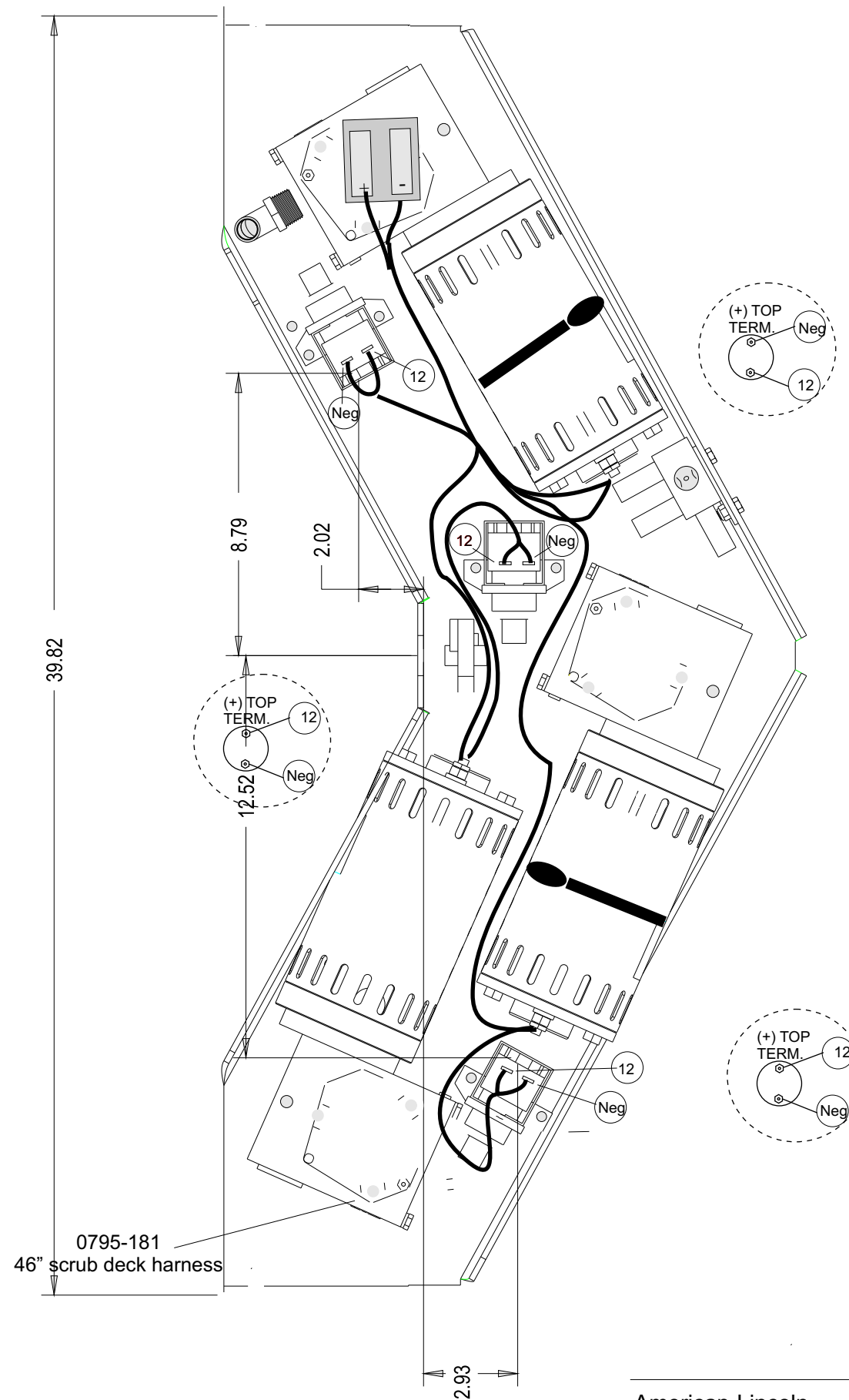








0795-180
40" scrub deck harness



0795-181
46" scrub deck harness

***THIS PAGE HAS BEEN LEFT
BLANK INTENTIONALLY -***

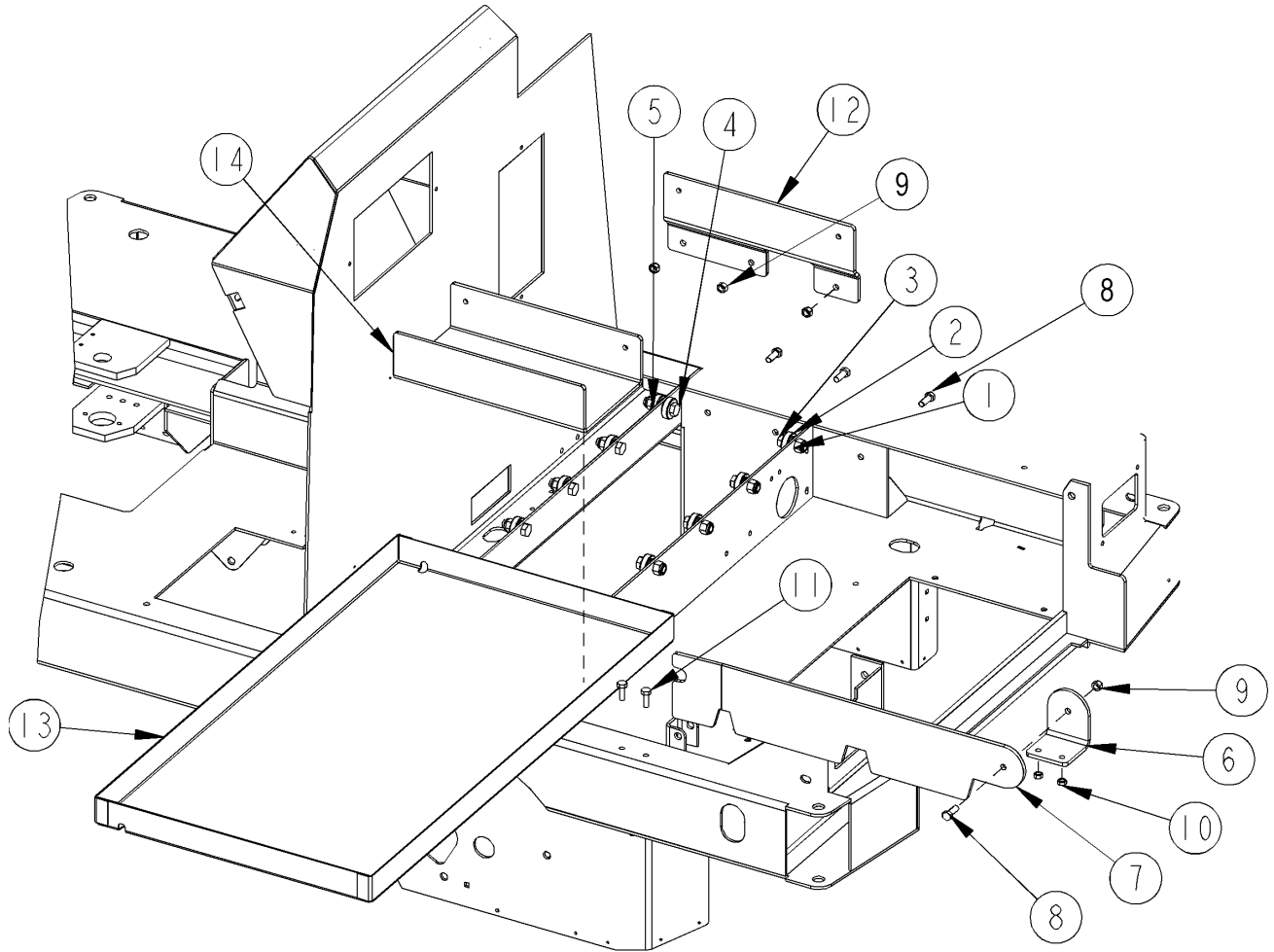
do not remove

***INSERT SCRUB DECK
CONNECTION DIAGRAM
(PAGE 77)***

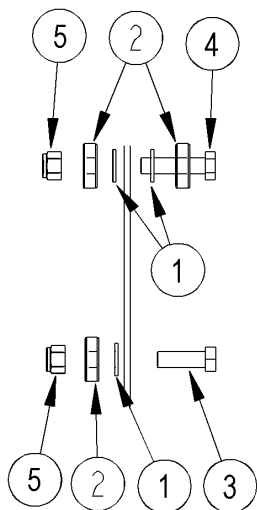
BATTERY ROLLOUT

<u>KEY NO.</u>	<u>QTY</u>	<u>PART NUMBER</u>	<u>DESCRIPTION</u>
1	31	2-00-00405	FLAT WASHER, 1.063 x .531 x .094
2	17	2-00-03306	BALL BEARING
3	11	2-00-01254	HEX SCREW, 1/2-13 x 1.50
4	3	2-00-01778	SCREW, 1/2-13 x 2.0 HHC
5	14	2-00-04936	LOCKNUT, ELASTIC 1/2-13
6	1	7-57-05063	PIVOT, BATTERY BAR
7	1	7-05-07179	BAR, BATTERY
8	4	2-00-00233	HEX BOLT, FIN., 3/8-16 x 1.0
9	4	2-95-04182	NUT, HEX STOP 3/8-16
10	2	2-00-00644	HEX NUT, INSERT FIBER 5/16-18
11	2	2-00-02708	HEX SCREW, 5/16-18 x 1.0
12	1	7-78-05029	STOP, BATTERY (720 AH)
13	1	7-51-05017	PAN, BATTERY
14	1	7-75-01199	SPACER, BATTERY STOP (510 AH)

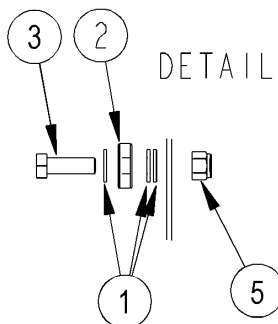
71830



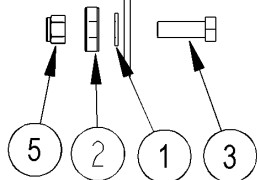
DETAIL A



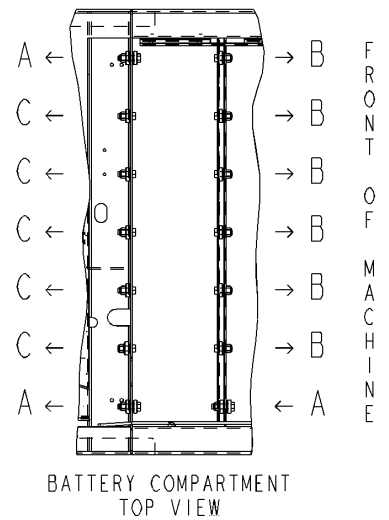
DETAIL B



DETAIL C



71830



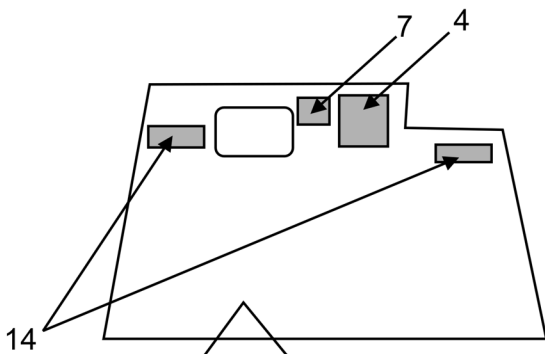
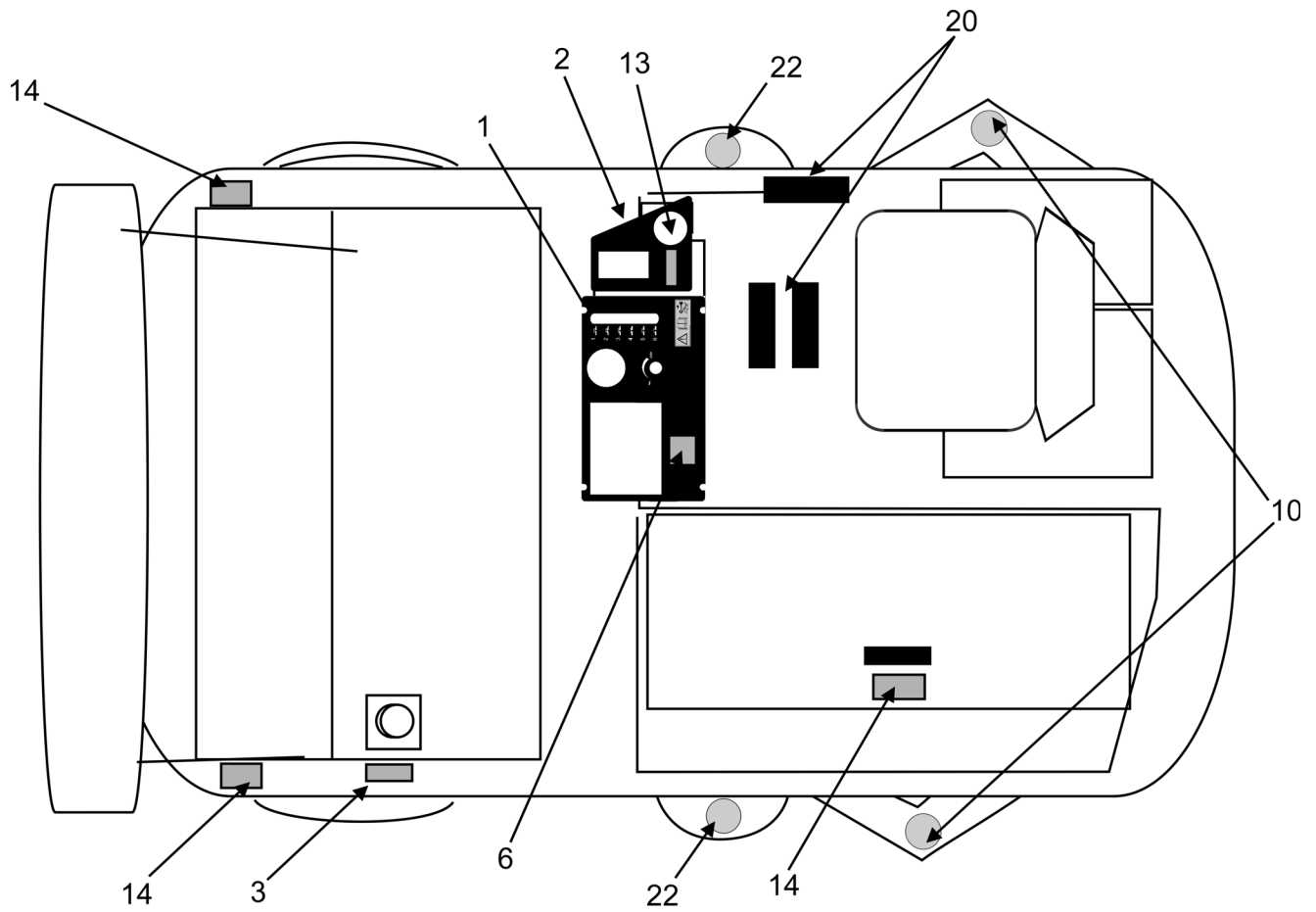
DECALS

<u>KEY NO.</u>	<u>QTY</u>	<u>PART NUMBER</u>	<u>DESCRIPTION</u>
1	1	8-18-00513	INSTRUMENT PANEL
2	1	8-18-00497	KEY SWITCH
3<	1	REF	ATF/DEXTRON HYD. FLUID ONLY
4<	2	REF	BATTERY CHARGING WARNING
5<	1	REF	COVER/HOPPER COULD CLOSE
6<	1	REF	DO NOT USE W/FLAMMABLES
7<	1	REF	ELECTRICAL HAZARD
8	1	8-18-00492	HORN
9<	1	REF	NO GAS OR COMBUSTIBLES
10<#	2	8-18-00479	NO STEP
11	1	8-18-00496	OPEN FOR DRAIN HOSE
12<	1	REF	PATENT/PATENTS PENDING
13<	1	REF	TURN OFF - LOCK WHEEL
14<	7	REF	PINCH POINT - STAY CLEAR
15	1	8-18-00537	7730
17	1	8-18-00525	AMERICAN-LINCOLN (MEDIUM)
18	2	8-18-00524	AMERICAN-LINCOLN (SMALL)
19	1	REF	SERIAL PLATE
20	3	8-50-05022	NON-SKID - FORWARD/REVERSE
21	2	2-00-04115	RIVETS
22#	2	56016163	Decal, No Step

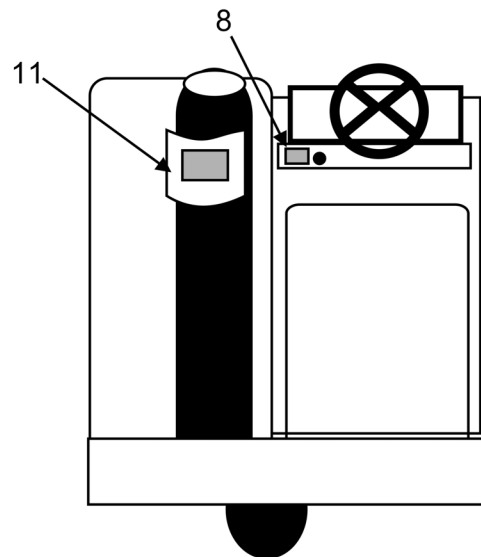
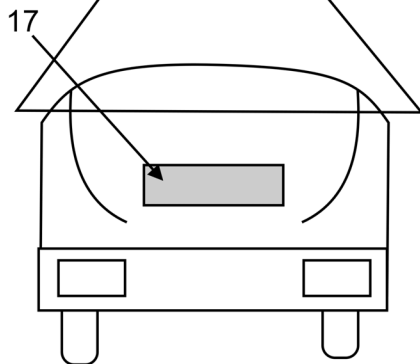
< WARNING DECALS KIT FOR YOUR 7730: ORDER 0760-884

= Revised or new since last update

C1035B/8-04



C1035B-US/8-07



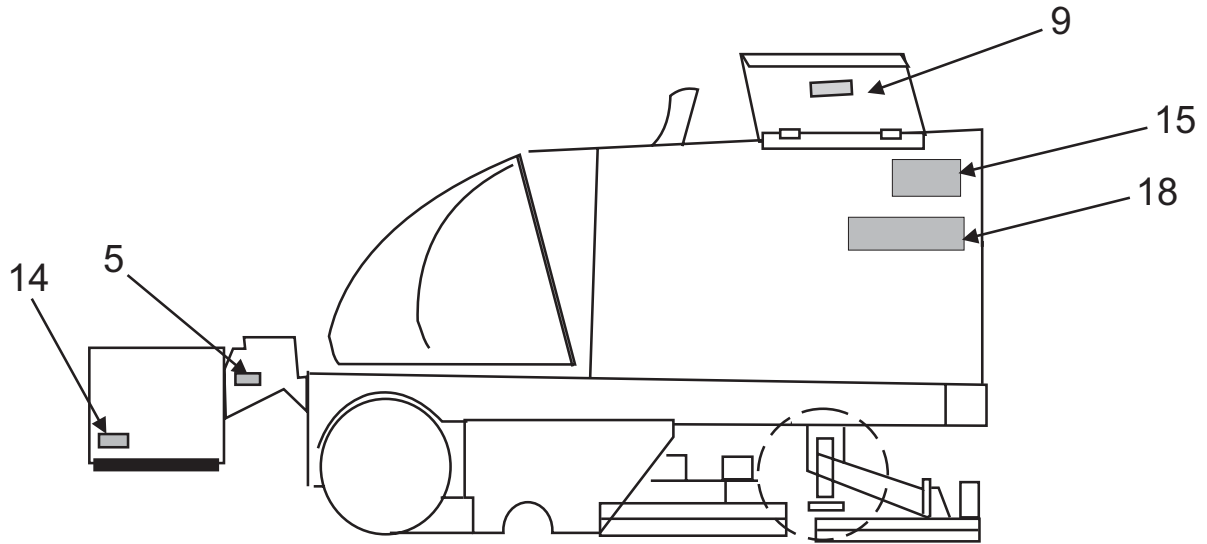
DECALS CON'T.

<u>KEY NO.</u>	<u>QTY</u>	<u>PART NUMBER</u>	<u>DESCRIPTION</u>
1	1	8-18-00513	INSTRUMENT PANEL
2	1	8-18-00497	KEY SWITCH
3<	1	REF	ATF/DEXTRON HYD. FLUID ONLY
4<	2	REF	BATTERY CHARGING WARNING
5<	1	REF	COVER/HOPPER COULD CLOSE
6<	1	REF	DO NOT USE W/FLAMMABLES
7<	1	REF	ELECTRICAL HAZARD
8	1	8-18-00492	HORN
9<	1	REF	NO GAS OR COMBUSTIBLES
10<#	2	8-18-00479	NO STEP
11	1	8-18-00496	OPEN FOR DRAIN HOSE
12<	1	REF	PATENT/PATENTS PENDING
13<	1	REF	TURN OFF - LOCK WHEEL
14<	7	REF	PINCH POINT - STAY CLEAR
15	1	8-18-00537	7730
17	1	8-18-00525	AMERICAN-LINCOLN (MEDIUM)
18	2	8-18-00524	AMERICAN-LINCOLN (SMALL)
19	1	REF	SERIAL PLATE
20	3	8-50-05022	NON-SKID - FORWARD/REVERSE
21	2	2-00-04115	RIVETS
22#	2	56016163	Decal, No Step

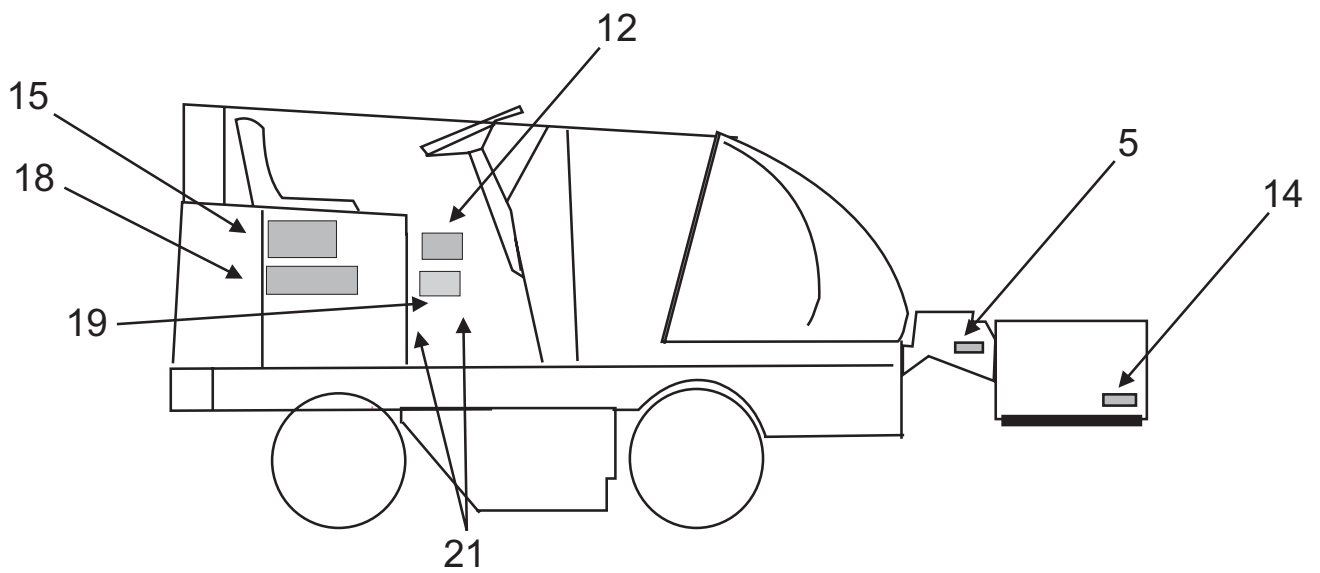
< WARNING DECALS KIT FOR YOUR 7730: ORDER 0760-884

= Revised or new since last update

C1036B/8-04



C1036B/0703

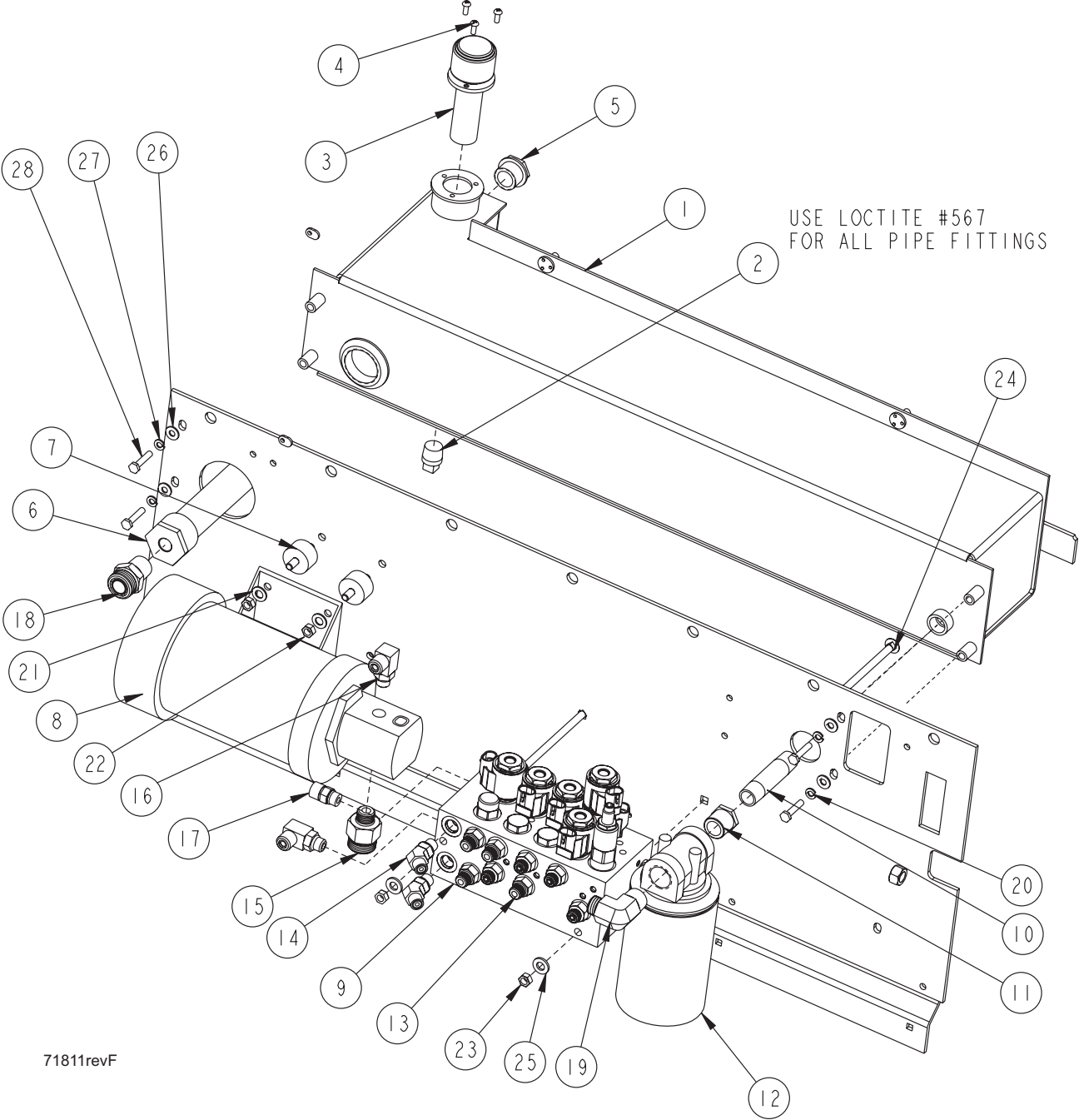


HYDRAULICS SYSTEM

<u>KEY NO.</u>	<u>QTY</u>	<u>PART NUMBER</u>	<u>DESCRIPTION</u>
1	1	7-83-04183	RESERVOIR
2	1	2-00-02474	PLUG 1/2 NPT
3	1	7-11-00033	FILTER BREATHER
4	3	2-00-02848	SCREW, #10-32 x .50 RHM
5	1	8-48-05033	SIGHT GLASS (HYD. FLUID)
6	1	8-24-04115	STRAINER, HYD. RESERVOIR
7	4	8-50-05037	PAD, RADIATOR MOUNT
8	1	7-60-05044	PUMP, HYDRAULIC
9	1	7-88-00100	MANIFOLD
10	1	2-95-02517	FITTING, 1/2NPT, NIPPLE, 3.5" , GALV.
11	1	2-95-02541	REDUCE BUSHING, 3/4 NPT x 1/2 NPT
12	1	7-24-04013	FILTER ASSEMBLY, RETURN
13	8	2-00-04918	FITTING, -6 SAE x -4 ORS, STR.
14	2	2-00-05340	Fitting, HYD., 9/16-18 ORF x 9/16-18 ST, 45
Elbow			
15	1	2-00-05914	FITTING, 12-8 ORFS-ORB
16	2	2-00-05435	FITTING, 90 ORFS TO ORS BOSS 06 x 06
17	1	2-00-05442	Fitting, ORFS M TO ORS M BOSS 06 X 06
18	1	2-00-05387	FITTING, STR #12 ORS x 3/4-14 NPT
19	1	2-00-05217	FITTING, 90 ELBOW ORFS M TO NPTF M 08 x 12
20	4	2-00-00530	LOCK WASHER 5/16"
21	4	2-00-00409	FLAT WASHER, .687 x .344 x .062
22	4	2-00-00585	NUT, 5/16-18 HEX
23	6	2-00-00644	NUT, 5/16-18 FIBER INSERT HEX
24	2	2-00-05924	CARRIAGE BOLT, .31-18 X 5.0
25	2	2-00-00402	WASHER, 25/64" ID x 3/4" OD
26	4	2-00-03702	FLAT WASHER, .625 x .281 x .063
27	4	2-00-00518	LOCK WASHER, 1/4" HEL. SPRING
28	4	2-00-02587	SCREW, 1/4-20 x 1.25

71811revF/7-05

HYDRAULICS SYSTEM



71811revF

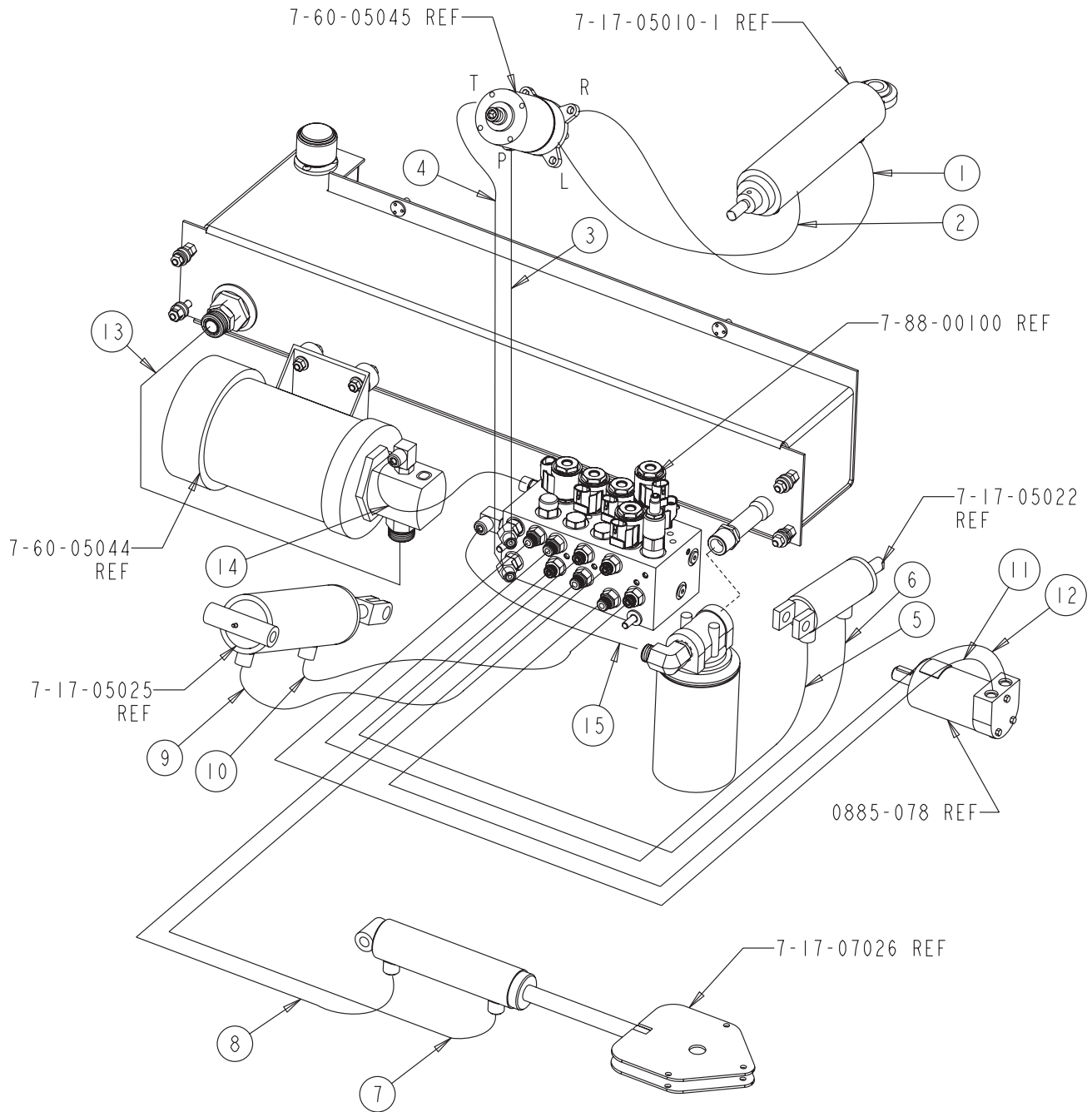
HYDRAULIC CONNECTION DIAGRAM

KEY NO.	QTY	PART NUMBER	DESCRIPTION
1	1	7-33-02355	HOSE, #4 STR 45,9/16-18 BOTH ENDS, 50.5 LG
2	1	7-33-02573	HOSE, HYD #4 45-STR, 9/16-18 BOTH ENDS, 51 LG
3	1	7-33-02574	HOSE, HYD #4 45-STR, 9/16-18 BOTH ENDS, 45.5 LG
4	1	7-33-02575	HOSE, HYD #4 45-STR, 9/16-18 BOTH ENDS, 47.5 LG
5	1	8-33-02188	HOSE-#4 STR-STR, 9/16-18 BOTH ENDS, 24 LG
6	1	7-33-02577	HOSE, HYD #4 STR-STR, 9/16-18 BOTH ENDS, 21.75 LG
7	1	7-33-02578	HOSE, HYD #4 LONG 90-STR, 9/16-18 BOTH ENDS, 81 LG
8	1	7-33-02579	HOSE, HYD #4 LONG 90-STR, 9/16-18 BOTH ENDS, 74 LG
9	1	7-33-02580	HOSE, HYD #4 STR-STR, 9/16-18 BOTH ENDS, 21 LG
10	1	7-33-02581	HOSE, HYD #4 STR-STR, 9/16-18 BOTH ENDS, 15.75 LG
11#	1	56109086	HOSE-#4 STR-STR, 9/16-18 BOTH ENDS, 37 LG
12#	1	56109087	HOSE-#4 STR-90, 9/16-18 BOTH ENDS, 38 LG
13	1	7-33-02446	HOSE, -12 ORS, STR x 90, 22.5" LONG
14	1	7-33-02585	HOSE, HYD #6, STR-90, 11/16-16 BOTH ENDS, 13 LG
15	1	8-33-02193	HOSE, ORS -8, STR. x STR., 18-1/4" LONG

= Revised or new since last update

c1024/0403

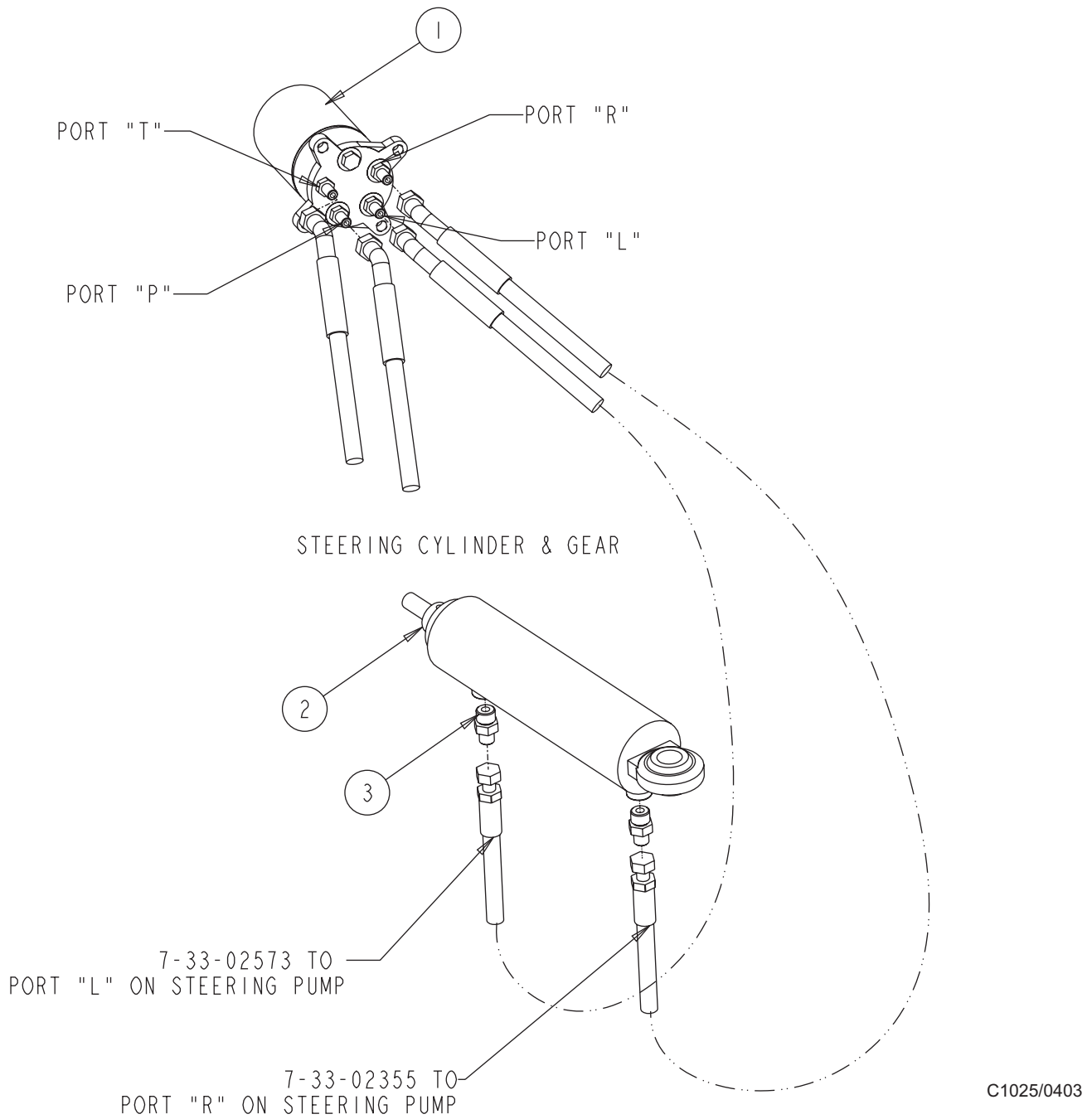
HYDRAULIC CONNECTION DIAGRAM



C1024/0403

ALL HOSES IN THE HOSE KIT (#0760-724)

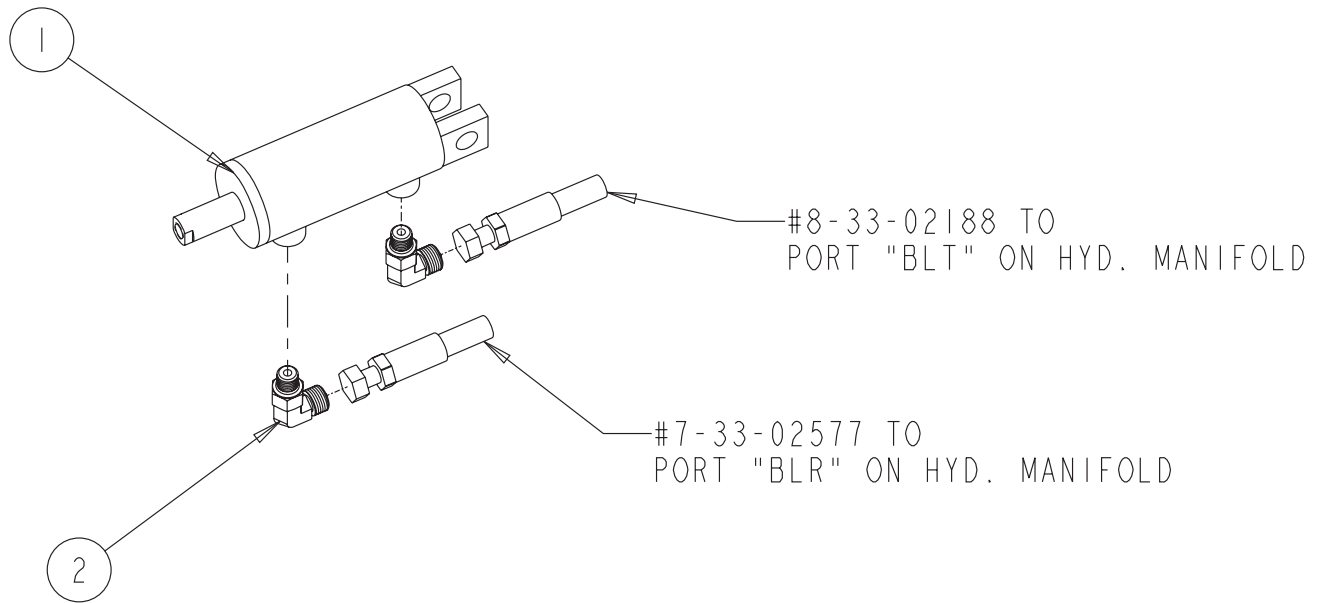
HYDRAULICS/STEERING CYLINDER & PUMP



<u>KEY NO.</u>	<u>QTY</u>	<u>PART NUMBER</u>	<u>DESCRIPTION</u>
1	REF	7-60-05045	PUMP, STEERING
2	REF	7-17-05010-1	CYLINDER, POWER STEERING
3	2	2-00-04895	FITTING, STRAIGHT CONNECTOR

c1025/0403

HYDRAULICS/LOW DUMP CYLINDER



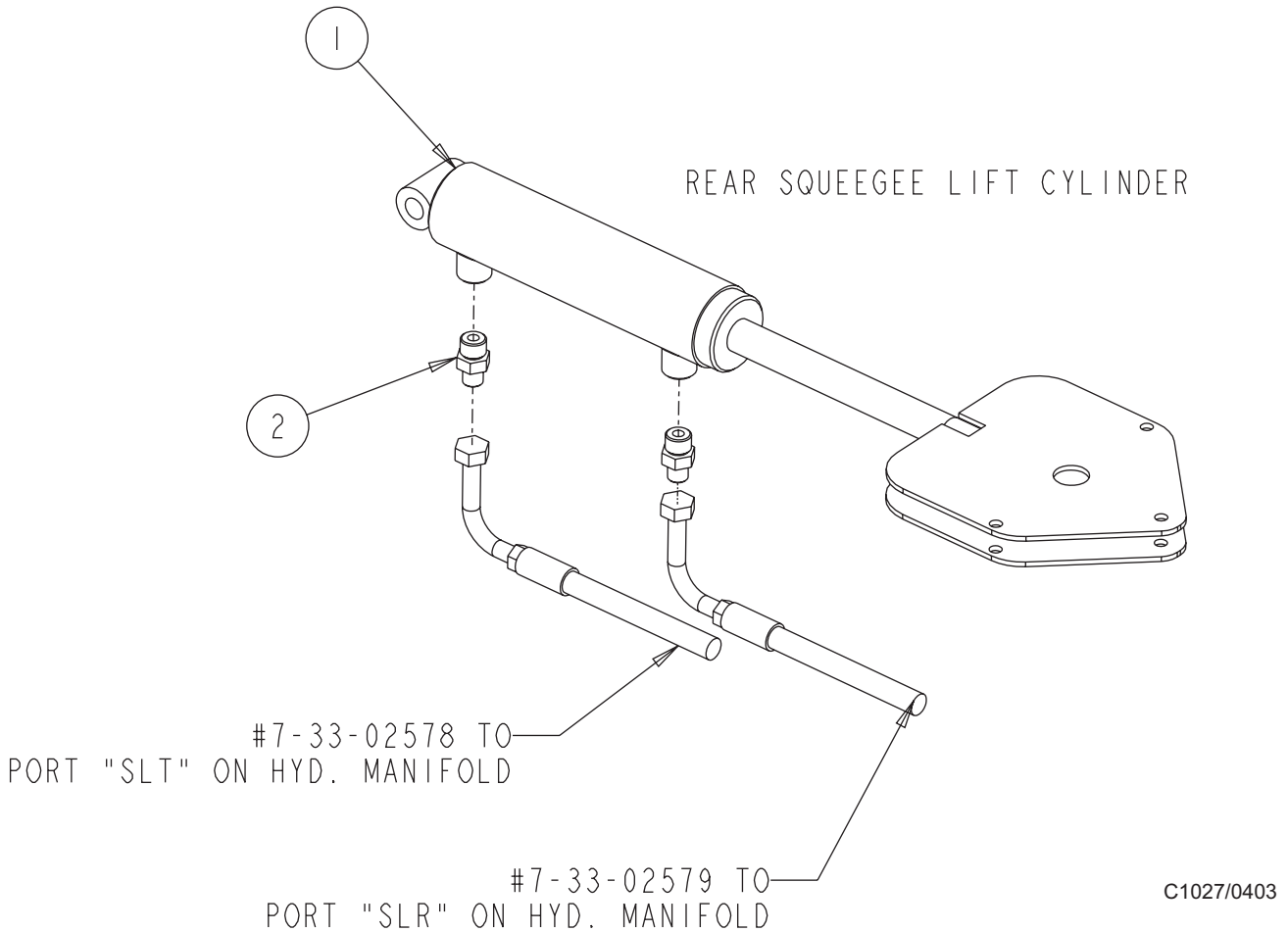
LOW DUMP HOPPER CYLINDER

C1026/0403

<u>KEY NO.</u>	<u>QTY</u>	<u>PART NUMBER</u>	<u>DESCRIPTION</u>
1	REF	7-17-05022	CYLINDER, BROOM
2	2	2-00-04892	FITTING, 90° ELBOW (O-RING)

c1026/0403

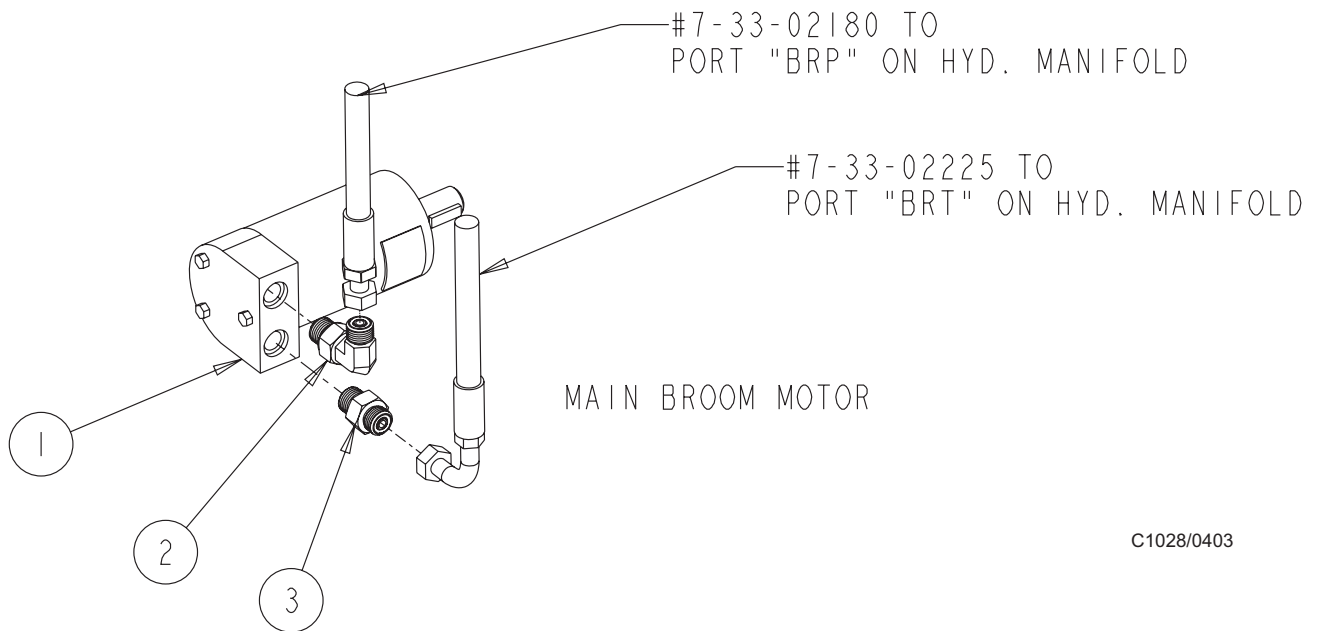
HYDRAULICS/REAR SQUEEGEE LIFT CYLINDER



<u>KEY NO.</u>	<u>QTY</u>	<u>PART NUMBER</u>	<u>DESCRIPTION</u>
1	REF	7-17-05026	CYLINDER, SQUEEGEE
2	2	2-00-04895	FITTING, STRAIGHT CONNECTOR

c1027/0403

HYDRAULICS/MAIN BROOM MOTOR

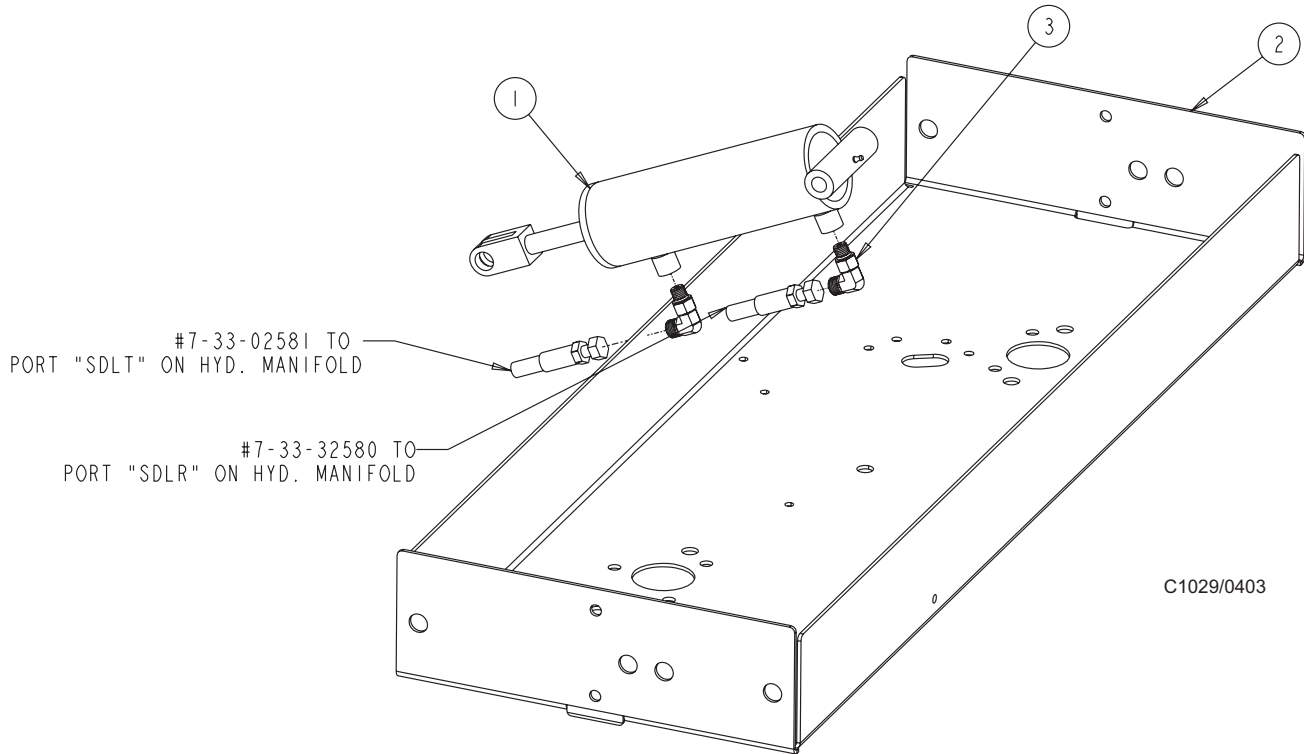


<u>KEY NO.</u>	<u>QTY</u>	<u>PART NUMBER</u>	<u>DESCRIPTION</u>
1	REF	0885-078	HYD. MOTOR (BROOM DRIVE)
2	1	2-00-04926	FITTING, ELBOW, 9/16-18 X 9/16-18
3	1	2-00-04918	FITTING, -6 SAE x -4 ORS, STR.

c1028/0403

HYDRAULICS/40" SCRUB DECK LIFT CYLINDER

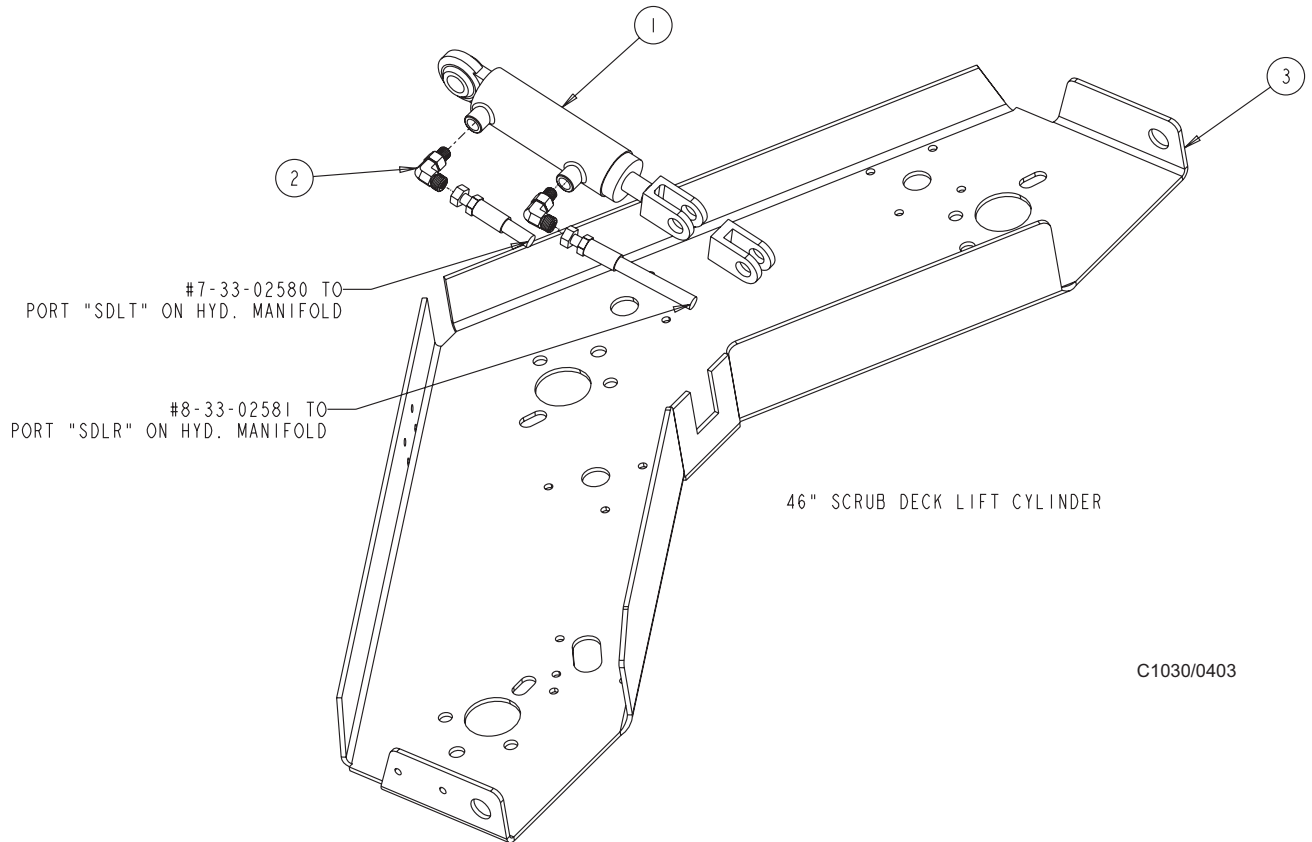
40" SCRUB DECK LIFT CYLINDER



<u>KEY NO.</u>	<u>QTY</u>	<u>PART NUMBER</u>	<u>DESCRIPTION</u>
1	REF	7-17-05025	CYLINDER, HYD., SCRUB DECK LIFT
2	REF	7-27-07202	FRAME, BRUSH DRIVE (40 IN.)
3	2	2 2-00-04892	FITTING, 90° ELBOW (O-RING)

c1029/0403

HYDRAULICS/46" SCRUB DECK LIFT CYLINDER



<u>KEY NO.</u>	<u>QTY</u>	<u>PART NUMBER</u>	<u>DESCRIPTION</u>
1	REF	7-17-05020	CYLINDER, HOPPER DOOR
2	2	2-00-04892	FITTING, 90° ELBOW (O-RING)
3	REF	7-27-07207	FRAME, BRUSH

c1030/0403

NOTES

INDEX - OPTIONS

B

BACK-UP ALARM 2

BATTERY STAND 3

E

ESP RECOVERY 12

ESP RECOVERY/DIMENSIONS 14

ESP RECOVERY/WIRING 15

F

FIRE EXTINGUISHER 4

L

LIGHT PACKAGE 10

O

OVERHEAD GUARD 5

S

SEAT BELT 6

SPRAY & VAC WAND 16

SPRAY & VAC WAND/WIRING 19

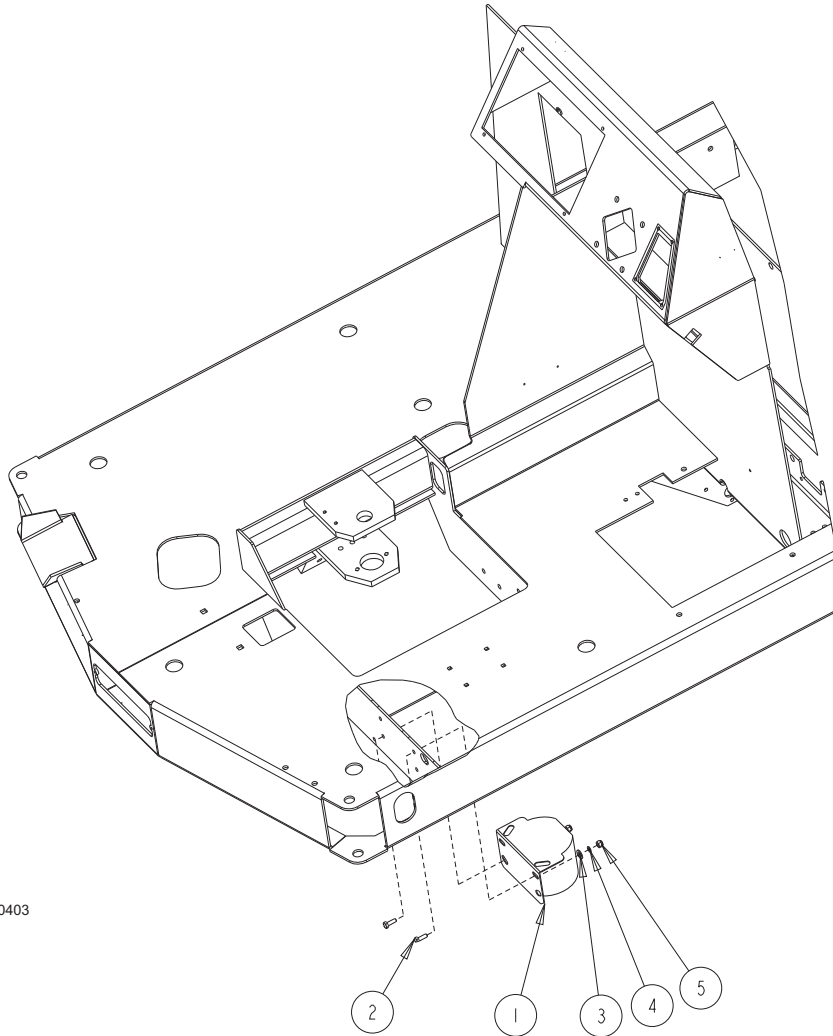
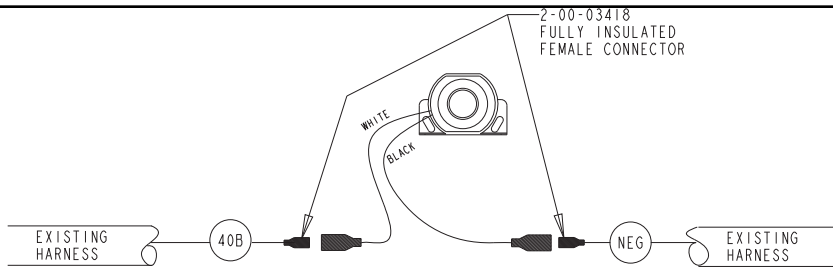
SQUEEGEE WAND 7

W

WARNING LIGHT W/O OVERHEAD GUARD 8

WARNING LIGHT W/ OVERHEAD GUARD 9

BACK - UP ALARM OPTION

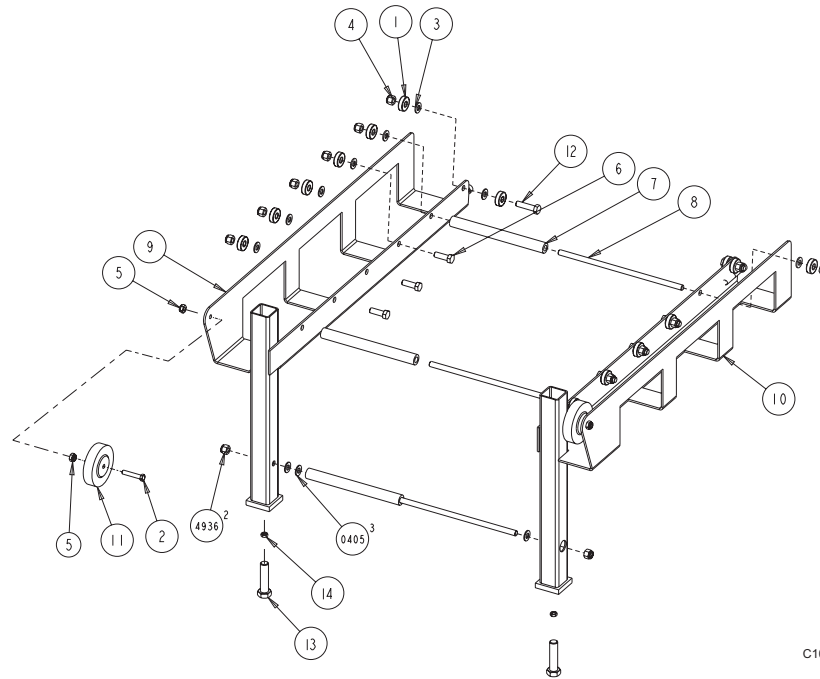
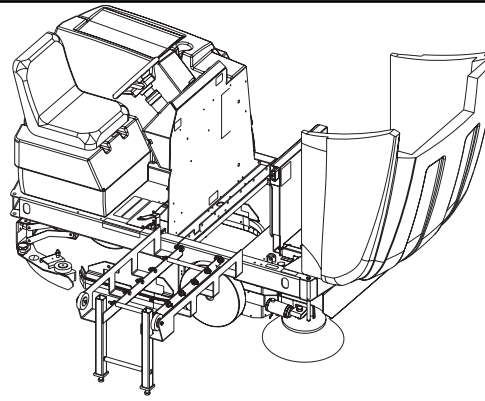


OPTION 0780-584

KEY NO.	QTY	PART NUMBER	DESCRIPTION
1	1	8-32-09009	BACK-UP ALARM (9.8 - 56.4 VDC)
2	2	2-00-00221	HEX BOLT, FIN., 1/4-20 x 3/4 LG
3	2	2-00-00409	FLAT WASHER, .687 x .344 x .062
4	2	2-00-00501	WASHER .25 ID x .44 OD x .046
5	2	2-00-00641	NUT, FIBER INSERT 1/4-20

c1041/0403

BATTERY STAND OPTION



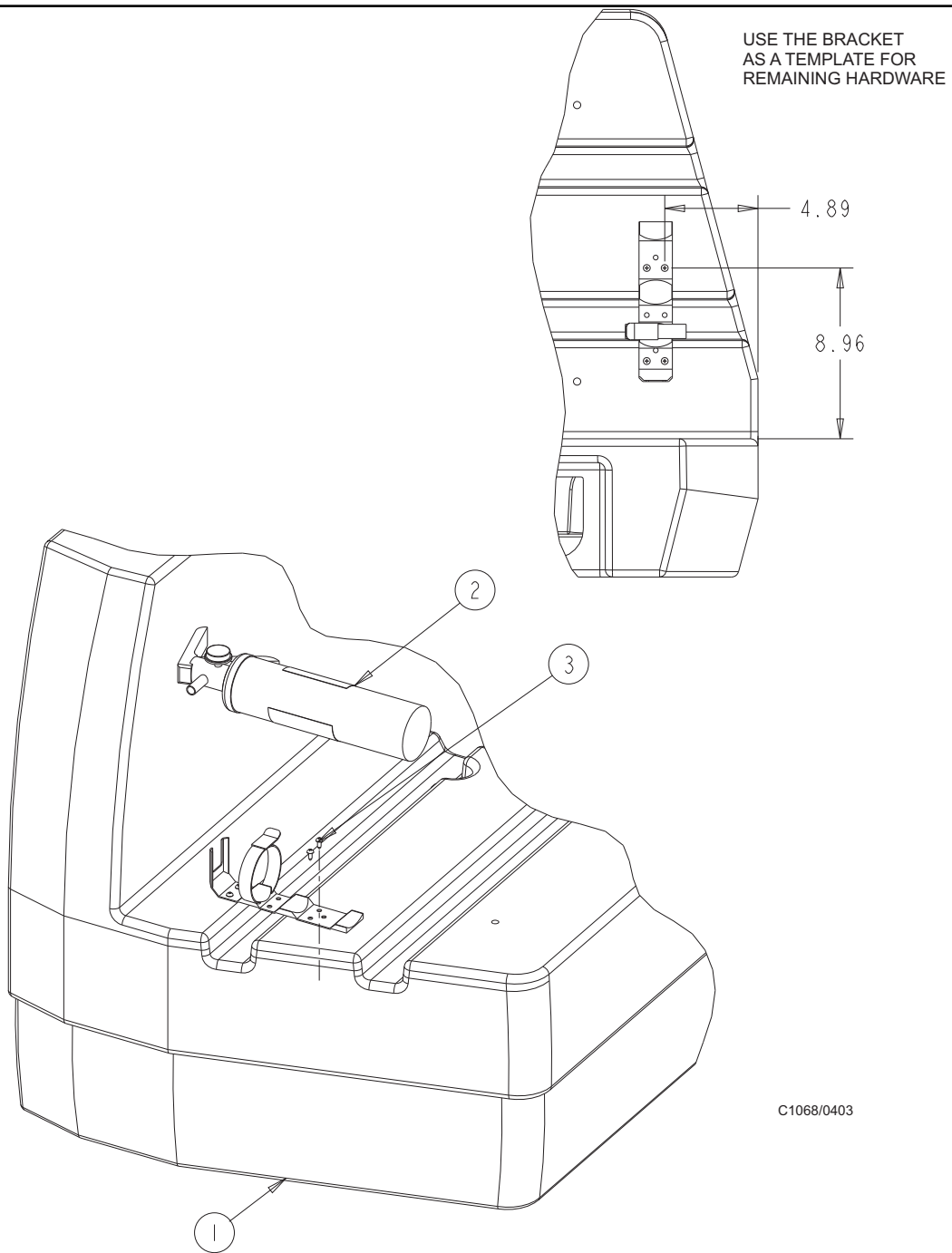
C1062/0403

OPTION 0780-492

KEY NO.	QTY	PART NUMBER	DESCRIPTION
1	14	2-00-03306	BALL BEARING
2	2	2-00-00216	HEX BOLT, 3/8-16 x 2"
3	17	2-00-00405	WASHER, 1.063 x .531 x .094
4	14	2-00-04936	LOCK NUT, ELASTIC, 1/2-13
5	4	2-00-00643	LOCK NUT, ELASTIC, 3/8-16
6	6	2-00-01254	HEX SCREW, 1/2-13 x 1.50
7	3	7-75-01201	SPACER, BATT. STAND
8	3	7-80-05088	STUD, BATT. STAND
9	1	7-81-00228	SUPPORT, BATT. STAND/LEFT
10	1	7-81-00227	SUPPORT, BATT. STAND/RIGHT
11	2	2-14-00184	WHEEL
12	2	2-00-01778	SCREW, 1/2-13 x 2.000 HHC
13	2	2-00-02694	SCREW, .50-20 x 2.25 HHC
14	2	2-00-00591	HEX JAM NUT, .50-20

c1062/0403

FIRE EXTINGUISHER OPTION

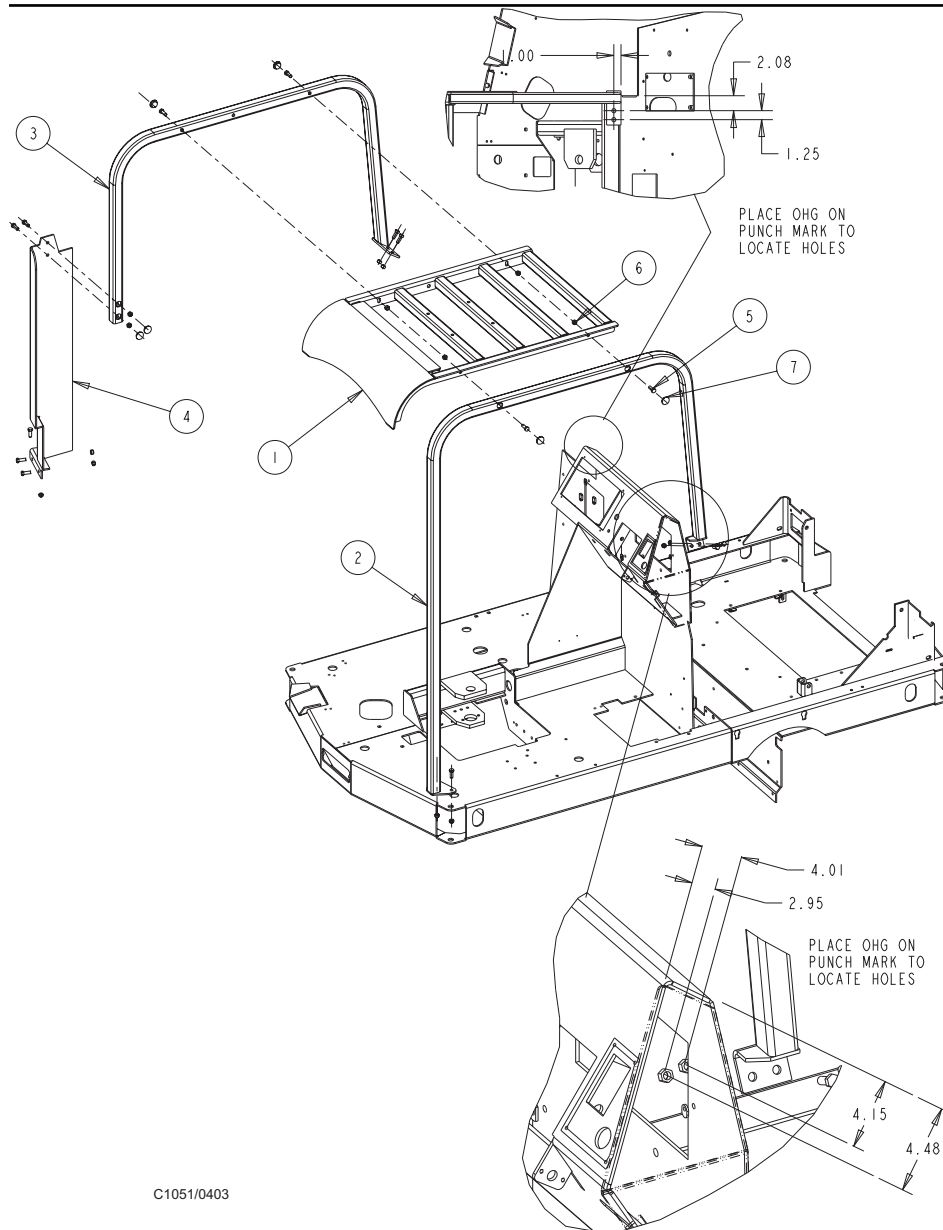


OPTION 0780-482

KEY NO.	QTY	PART NUMBER	DESCRIPTION
1	REF.	7-83-04179-1	SOLUTION TANK
2	1	8-83-04033	FIRE EXTINGUISHER (2.5 LB.)
3	4	2-00-03466	SCREW, #10-16 x .500

c1068/0403

OVERHEAD GUARD OPTION



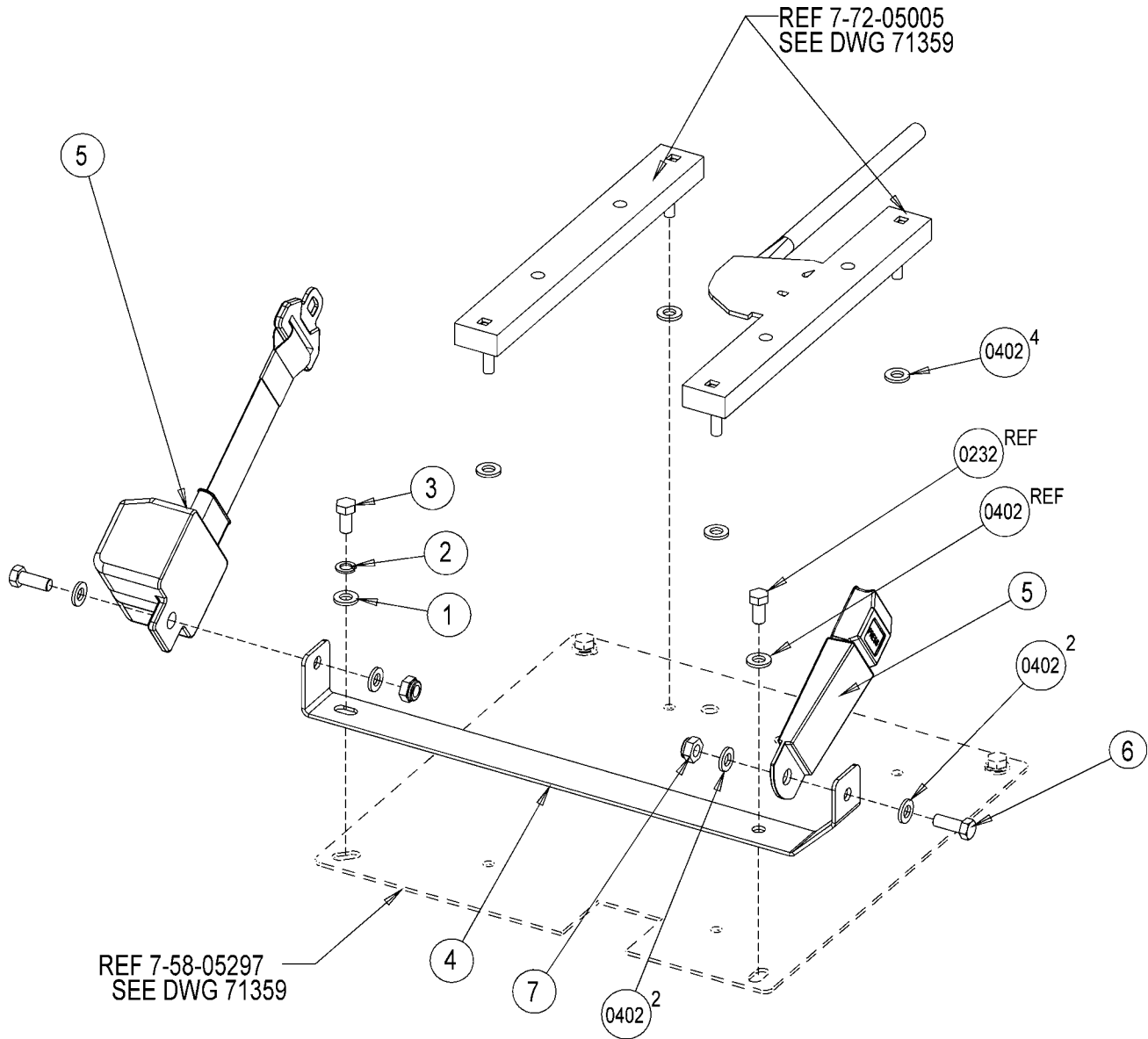
C1051/0403

OPTION 0780-476

KEY NO.	QTY	PART NUMBER	DESCRIPTION
1	1	8-30-05174	OVERHEAD GUARD (TOP WELDMENT)
2	1	8-81-00181	SUPPORT, RH OHG (WELDED)
3	1	8-81-00182	SUPPORT, LH OHG (UPPER WELDMENT)
4	1	8-81-00183	SUPPORT, LH OHG (LOWER WELDMENT)
5	15	2-00-00233	HEX BOLT-HEX, FIN., 3/8-16 x 1.00
6	15	2-95-04182	NUT, HEX STOP 3/8-16
7	6	2-00-05134	PLUG BUTTON

c1051/0403

SEAT BELT OPTION

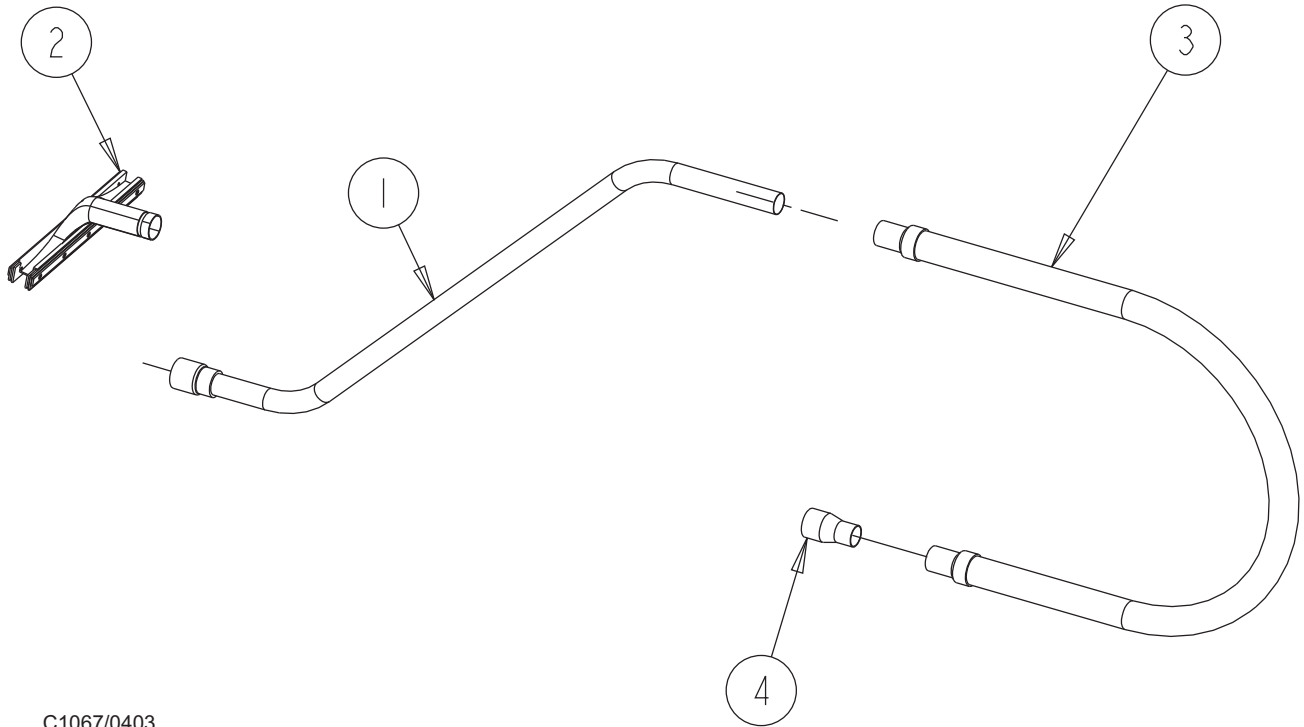


OPTION 0780-493

KEY NO.	QTY	PART NUMBER	DESCRIPTION
1	REF	2-00-00402	WASHER, 25/64 ID x 3/4 OD
2	REF	2-00-02310	LOCK WASHER, 3/8 HEL. SPRNG
3	REF	2-00-00232	HEX BOLT, FIN., 3/8-16
4	1	7-08-00973	BRACKET, SEAT BELT
5#	1	56109301	SEAT BELT, RETRACTABLE 60"
6	2	2-00-00233	HEX BOLT, FIN., 3/8-16 x 1.0
7	2	2-00-00643	LOCKNUT, ELASTIC 3/8-16

= Revised or new since last update

c1063/0403



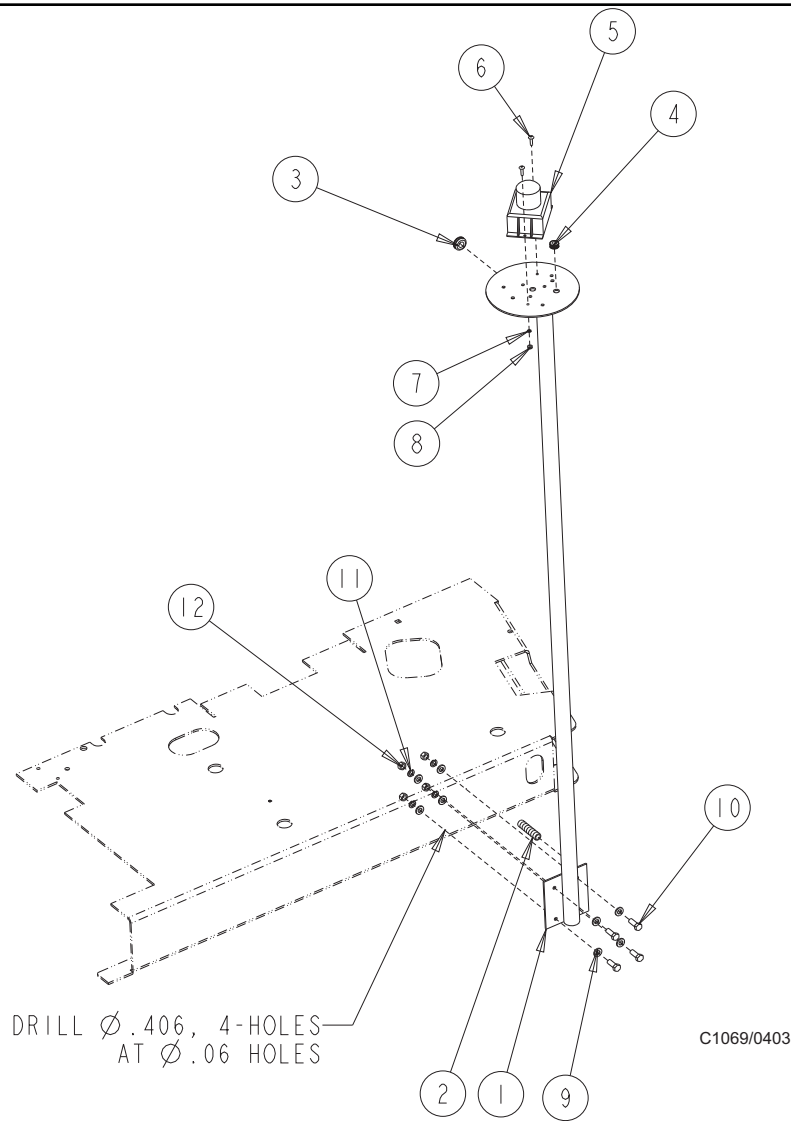
C1067/0403

OPTION 0780-429

KEY NO.	QTY	PART NUMBER	DESCRIPTION
1	1	0261-025	WAND ASSEMBLY
2	1	0261-024	TOOL ASSEMBLY
3	1	7-33-02213	HOSE, VACUUM
4	1	7-03-00044	ADAPTER, TRANSITION

c1067/0403

WARNING LIGHT WITHOUT OHG OPTION



OPTION 0780-589

KEY NO.	QTY	PART NUMBER	DESCRIPTION
1	1	7-81-00223	SUPPORT, WARNING LIGHT
2	1	3-61-02014	CONVOLUTED TUBE (6 FT)
3	1	2-00-03261	GROMMET
4	1	2-00-00491	GROMMET
5	1	8-40-05036	STROBE, AMBER (12 TO 80 VDC)
6	2	2-00-03063	SCREW, ROUND HD., 10-24 x .75
7	2	2-00-00512	WASHER, STAR
8	2	2-00-00605	HEX NUT, #10-24
9	8	2-00-00402	WASHER, 25/64 ID x 3/4 OD
10	4	2-00-00233	HEX BOLT, FIN., 3/8-16 x 1.0
11	4	2-00-02310	LOCK WASHER, 3/8 HEL. SPRNG
12	4	2-00-02360	HEX NUT, 3/8-16

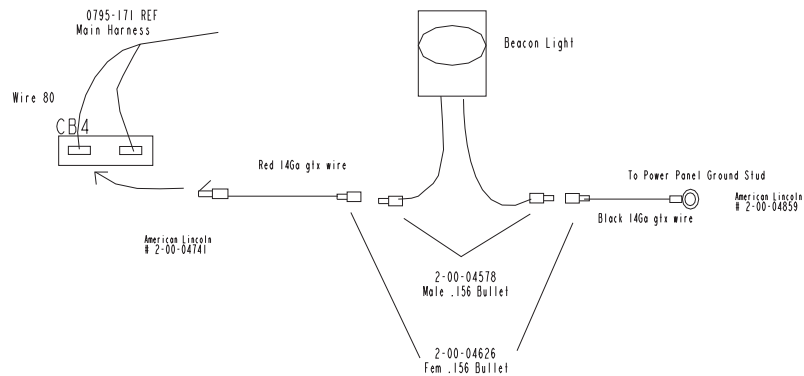
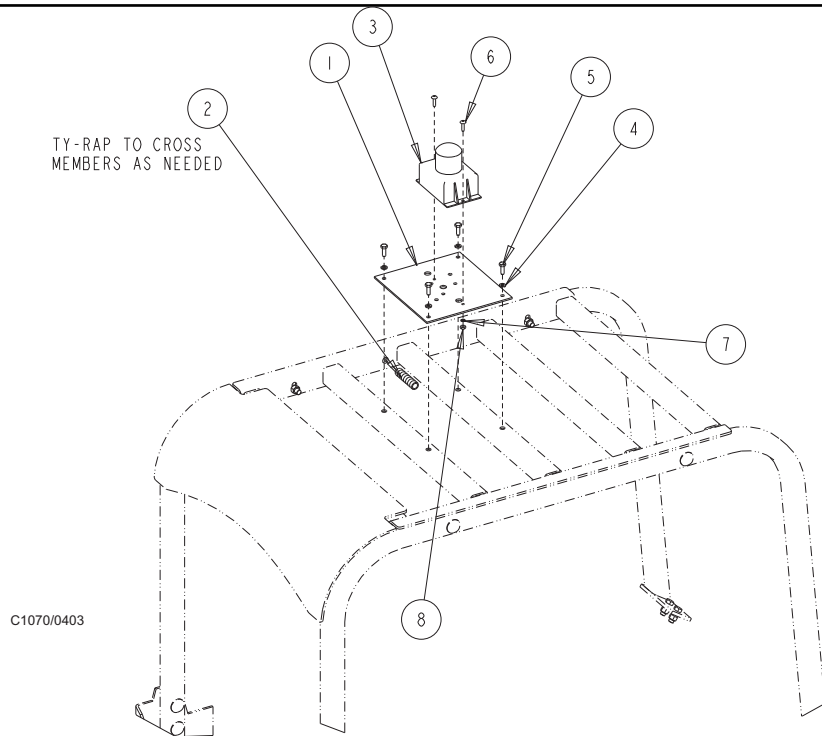
**WIRING DIAGRAM ON PAGE 9

c1069/0403

3-8 - FORM NO. 28600321

AMERICAN-LINCOLN
SC7730

WARNING LIGHT WITH OHG OPTION



OPTION 0780-590

KEY NO.	QTY	PART NUMBER	DESCRIPTION
1	1	8-58-05228	PLATE, FLASHER MOUNTING
2	1	3-61-02014	CONVOLUTED TUBE (6 FT)
3	1	8-40-05036	STROBE, AMBER (12 TO 80 VDC)
4	4	2-00-00518	LOCK WASHER, 1/4 HEL. SPRNG
5	4	2-00-00221	HEX BOLT, FIN., 1/4-20 x 3/4 LG
6	2	2-00-03063	SCREW, ROUND HD., 10-24 x .75
7	2	2-00-00512	WASHER, STAR
8	2	2-00-00605	HEX NUT, #10-24

c1070/0403

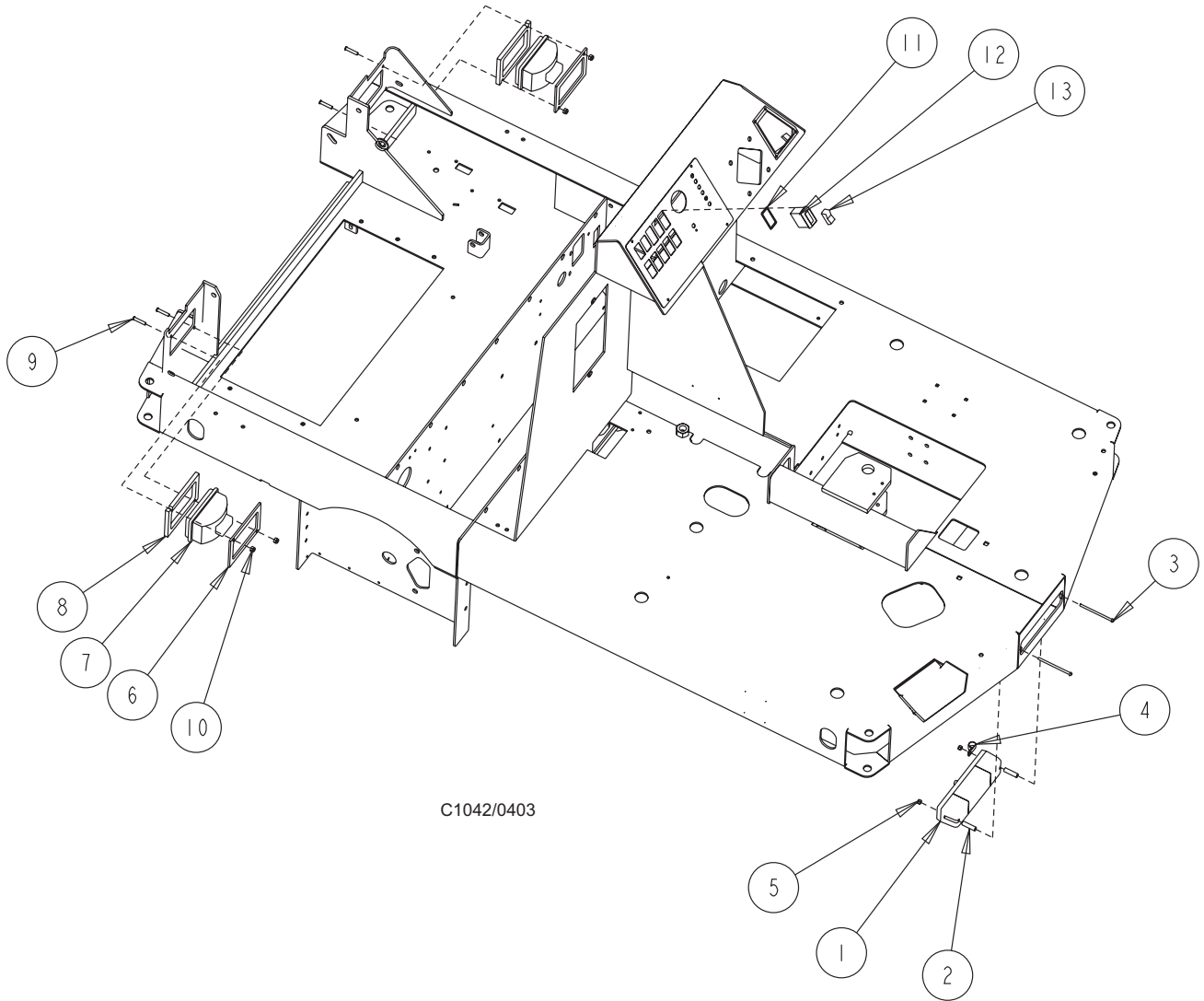
LIGHT PACKAGE OPTION

OPTION 0780-591

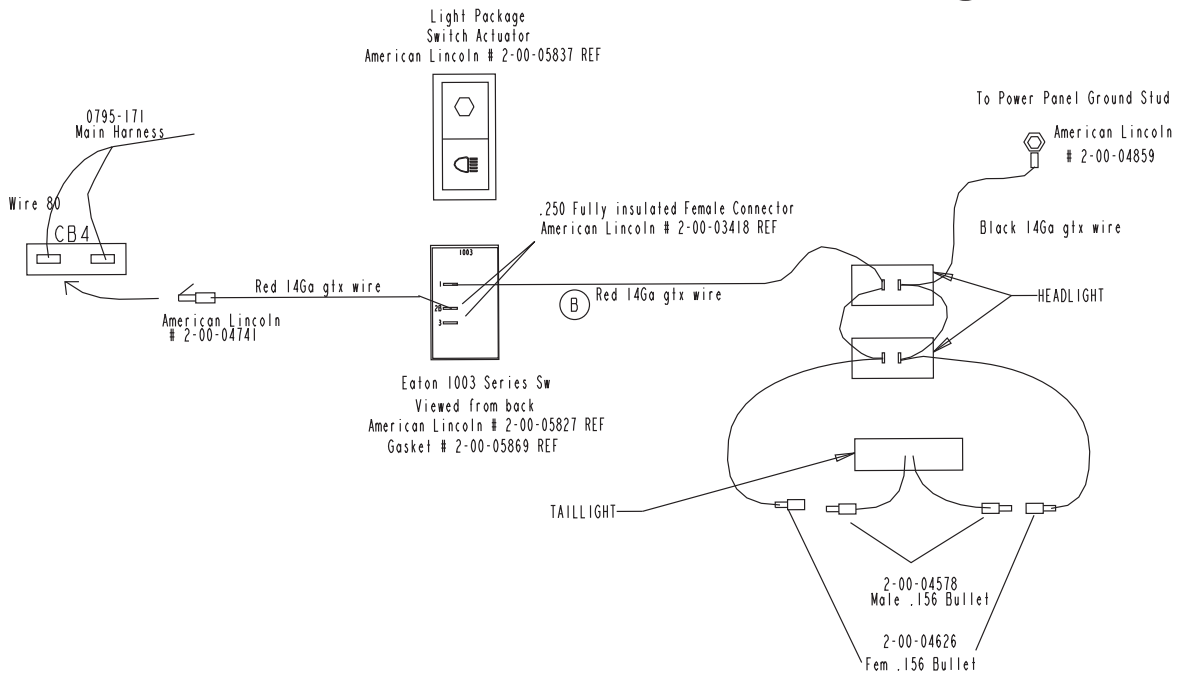
<u>KEY NO.</u>	<u>QTY</u>	<u>PART NUMBER</u>	<u>DESCRIPTION</u>
1	1	8-40-05053	TAIL LIGHT (36V)
2	2	8-75-01207	SPACER, TAIL LIGHT MNTNG
3	2	2-00-02933	SCREW
4	1	2-00-04210	CLAMP
5	2	2-00-01246	NUT, ELASTIC STOP #10-24
6	2	7-08-00557	BRACKET, LIGHT
7	2	7-40-05031	HEAD LIGHT (36V)
8	2	7-29-00191	GASKET, LIGHT
9	4	2-00-00060	SCREW, RHM .25-20 x 1.25
10	4	2-00-00641	NUT, FIBER INSERT 1/4-20
11	1	2-00-05869	GASKET, SWITCH
12	1	2-00-05827	SWITCH BODY
13	1	2-00-05837	ACTUATOR, LIGHT PKG.

c1042/0403

LIGHT PACKAGE OPTION



C1042/0403

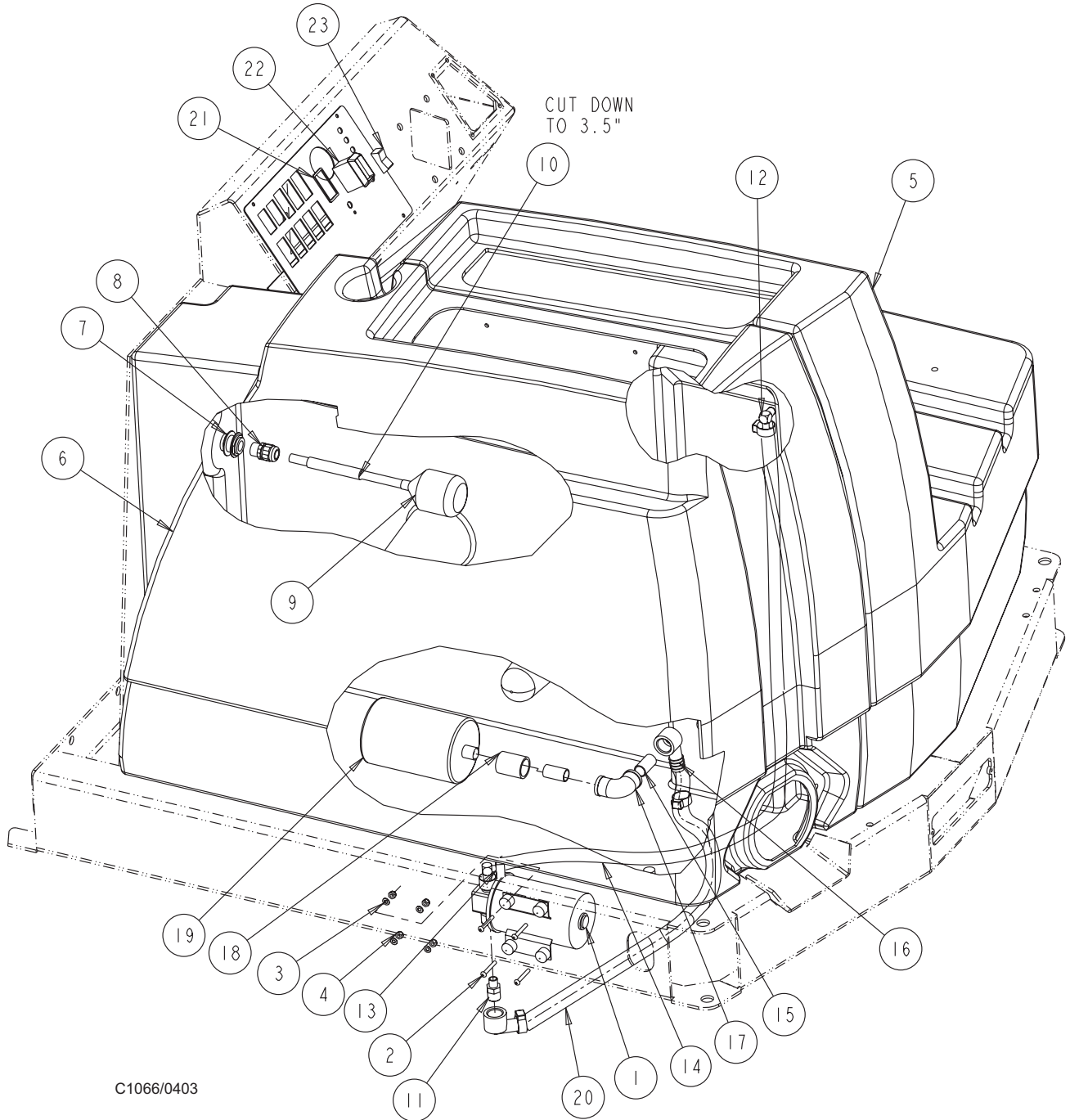


ESP RECOVERY OPTION

OPTION 0780-586

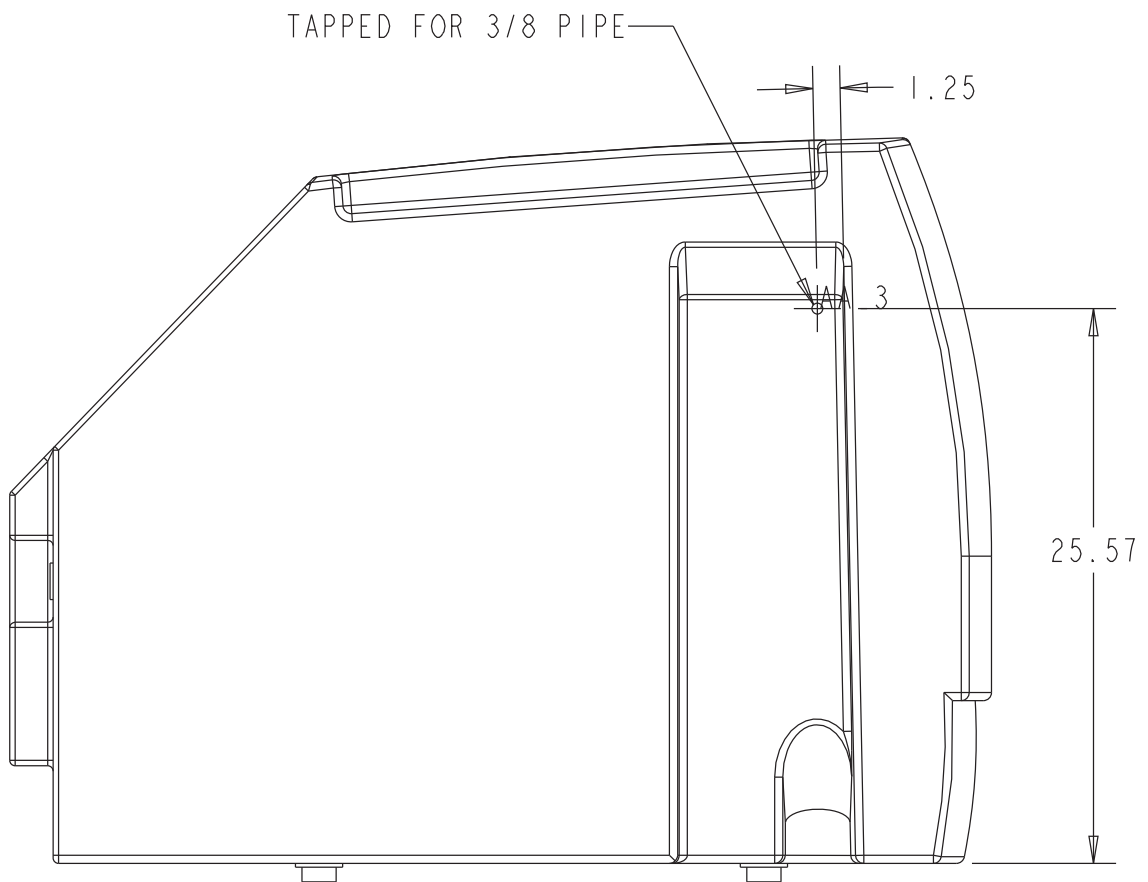
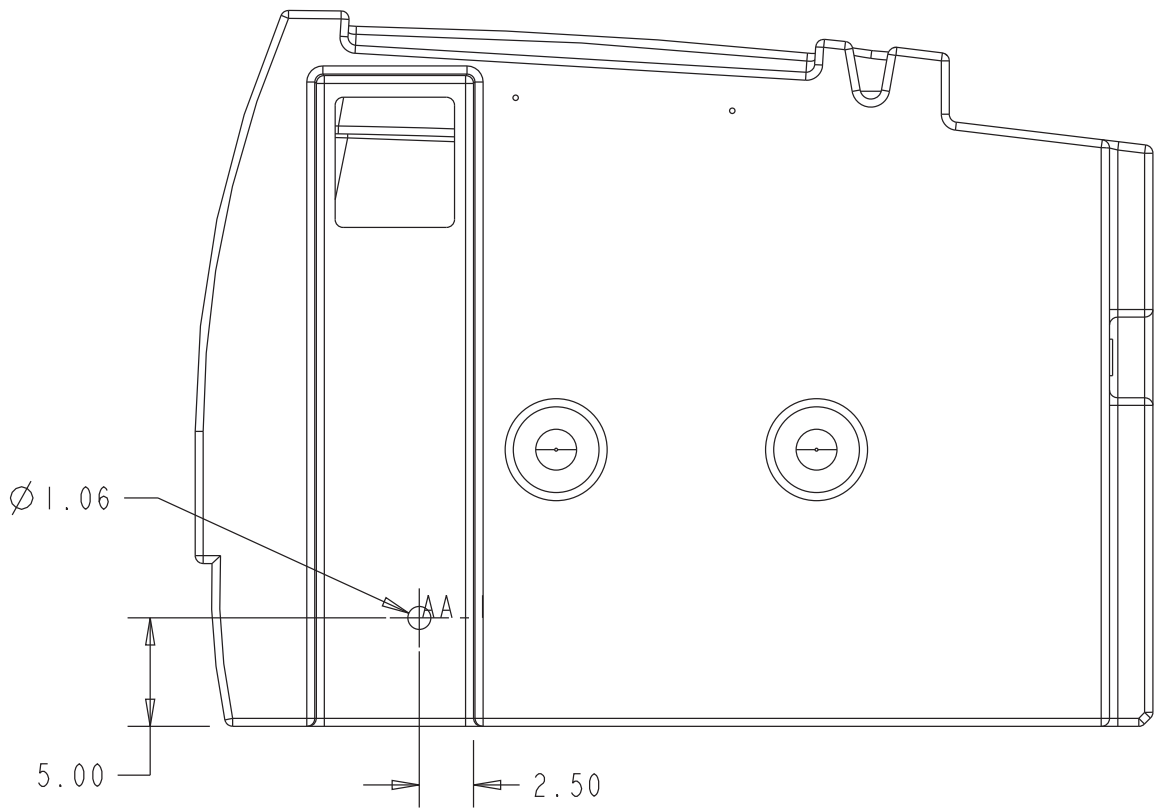
<u>KEY NO.</u>	<u>QTY</u>	<u>PART NUMBER</u>	<u>DESCRIPTION</u>
1	1	7-60-05013	PUMP, RECYCLING (36 VDC)
2	4	2-00-00089	SCREW, #10-24 x 1.5 LG RHM
3	4	2-00-00466	FLAT WASHER, .625 x .203 x .031
4	4	2-00-01246	NUT, ELASTIC STOP #10-24
5	REF	0760-721	SOLUTION TANK
6	REF	0760-723	RECOVERY TANK
7	REF	7-09-01124	FITTING, BULKHEAD
8	REF	7-09-01146	BUSHING, BULKHEAD FITTING
9	REF	0775-164	FLOAT SWITCH (GRAY)
10	REF	8-08-07038	HOSE
11	1	7-25-02062	FITTING, REDUCER NIPPLE
12	2	7-25-02061	FITTING
13	4	2-00-03407	CLAMP, HOSE (WITTECK #10P)
14	1	7-33-02436	HOSE, PUMP TO TANK
15	2	2-00-05131	FITTING, NIPPLE
16	2	2-00-05132	FITTING, ELBOW
17	1	2-00-05083	FITTING, 90° ELBOW 3/4 NPT
18	1	7-25-02089	COUPLING, 3/4 NPT (PVC)
19	1	7-24-04038	FILTER, PUMP INLET
20	1	7-33-02329	HOSE, TANK TO PUMP
21	1	2-00-05869	GASKET, SWITCH
22	1	2-00-05827	SWITCH BODY
23	1	2-00-05838	ACTUATOR, ESP

c1066/0403



C1066/0403

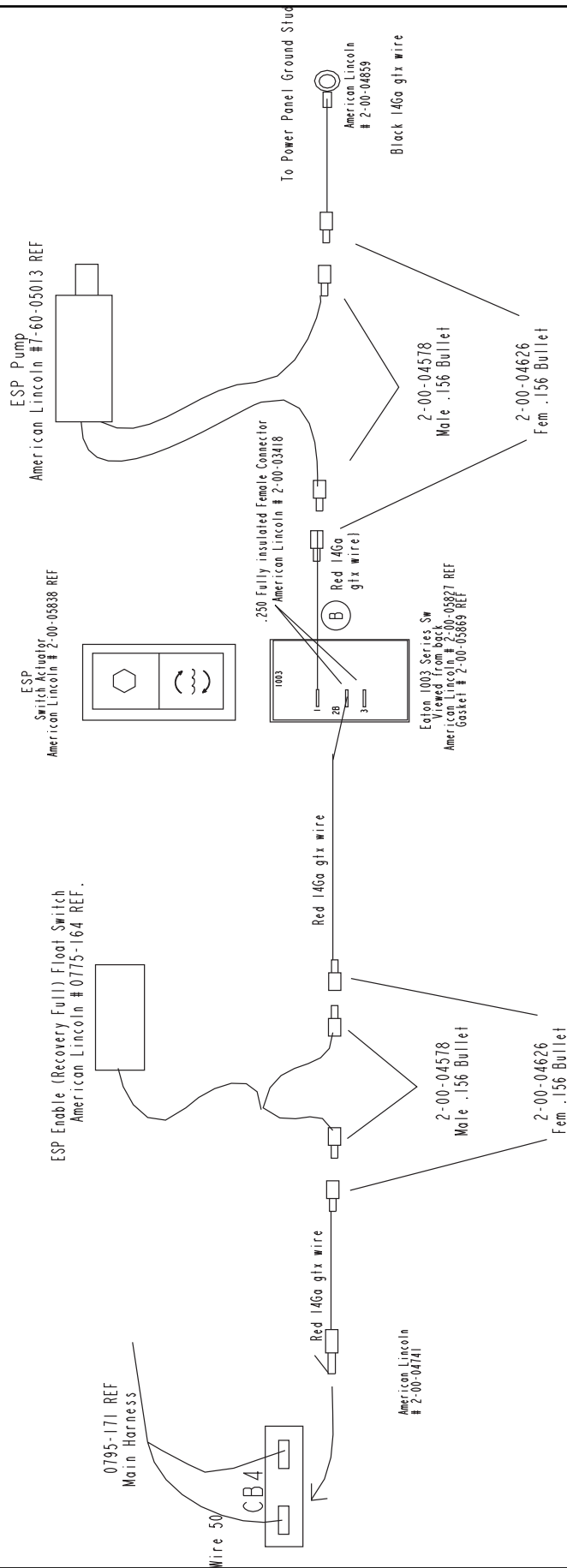
ESP RECOVERY/DIMENSIONS



C1047/0403

3-14 - FORM NO. 28600321

AMERICAN-LINCOLN
SC7730



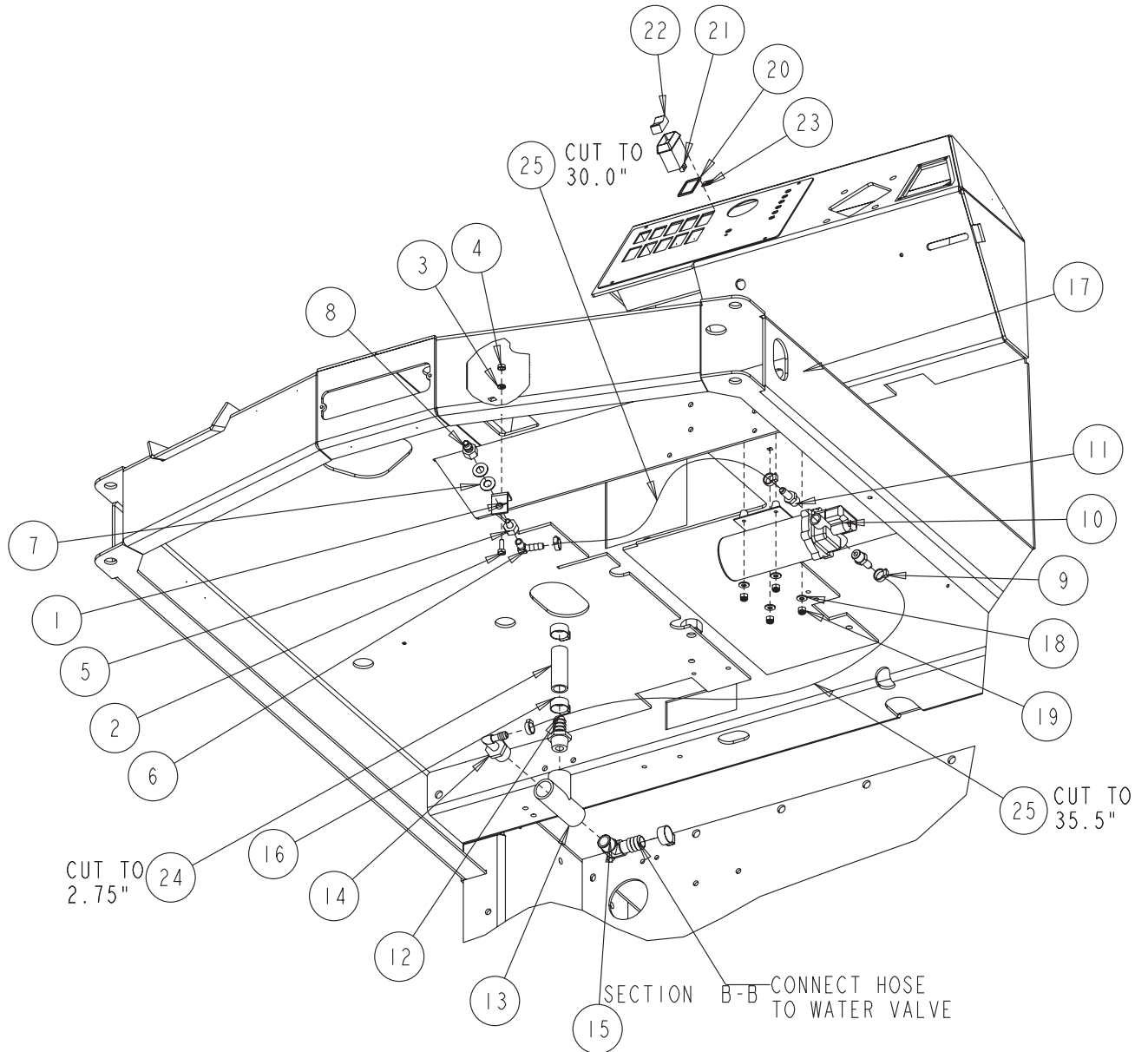
SPRAY & VACUUM WAND OPTION

OPTION 0780-592

<u>KEY NO.</u>	<u>QTY</u>	<u>PART NUMBER</u>	<u>DESCRIPTION</u>
1	1	7-08-00769	BRACKET, HOSE CONNECTION
2	1	2-00-00221	HEX BOLT, FIN., 1/4-20 x 3/4 LG
3	1	2-00-00518	LOCK WASHER, 1/4 HEL. SPRNG
4	1	2-00-00594	HEX NUT, 1/4-20
5	1	2-00-05465	ADAPTER, 1/4 FEMALEx1/8 MALE
6	1	2-00-05464	ELBOW 1/4 x BARB FITTING 3/8
7	2	2-00-00415	WASHER, .94 ID x .47 OD x .062
8	1	7-16-05028	COUPLING, QUICK DISCONNECT
9	4	2-00-05363	CLAMP, HOSE
10	1	7-60-05017	PUMP, WATER (36 VDC)
11	2	2-00-05201	FITTING
12	1	7-25-02052	FITTING, 3/4 PIPE x 3/4 BARB STR.
13	1	7-25-02037	FITTING, PLASTIC TEE
14	1	2-00-04655	FITTING, 90° NYLON ELBOW
15	1	7-25-02053	ELBOW, 90°, 3/4 NPT TO 3/4 BARB
16	3	2-00-03407	CLAMP, HOSE (WITTECK #10P)
17	4	2-00-01951	BOLT, CAR., 1/4-20 x 1.25 LG
18	4	2-00-03702	WASHER, .625 x .281 x .063
19	4	2-00-00641	NUT, FIBER INSERT 1/4-20
20	1	2-00-05869	GASKET, SWITCH
21	1	2-00-05827	SWITCH BODY
22	1	2-00-05839	ACTUATOR, SPRAY & VAC
23	1	7-18-00278	DECAL, VAC WAND
24	1	3-71-00135	HOSE, SOLUTION FEED
25	2	3-71-00081	HOSE, 3/8" ID x 36" OD

c1044/0403

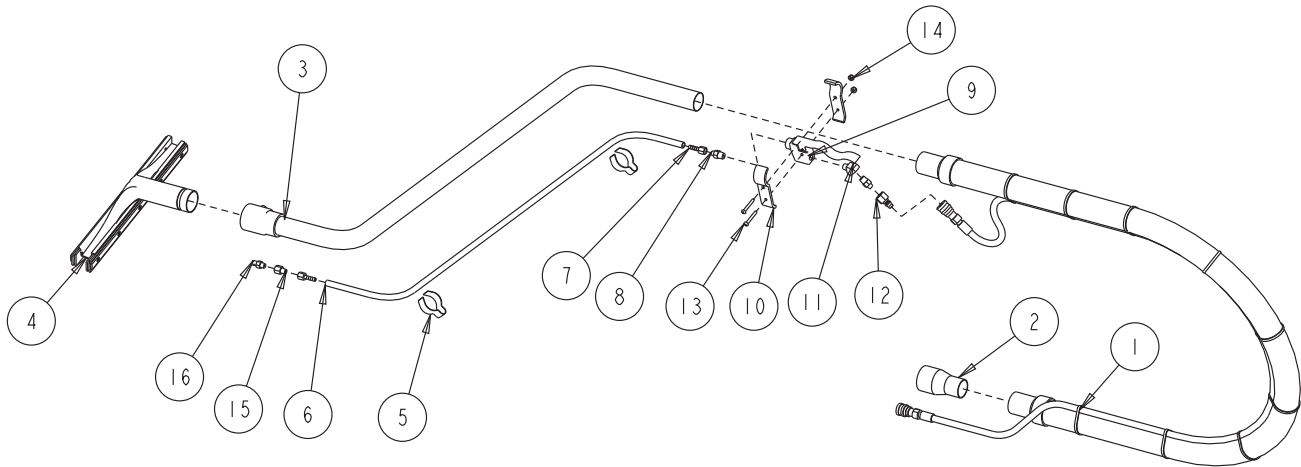
SPRAY & VACUUM WAND OPTION



NOTE: USE PIPE SEALANT ON ALL THREADS

C1045/0402

SPRAY & VACUUM WAND CON'T.

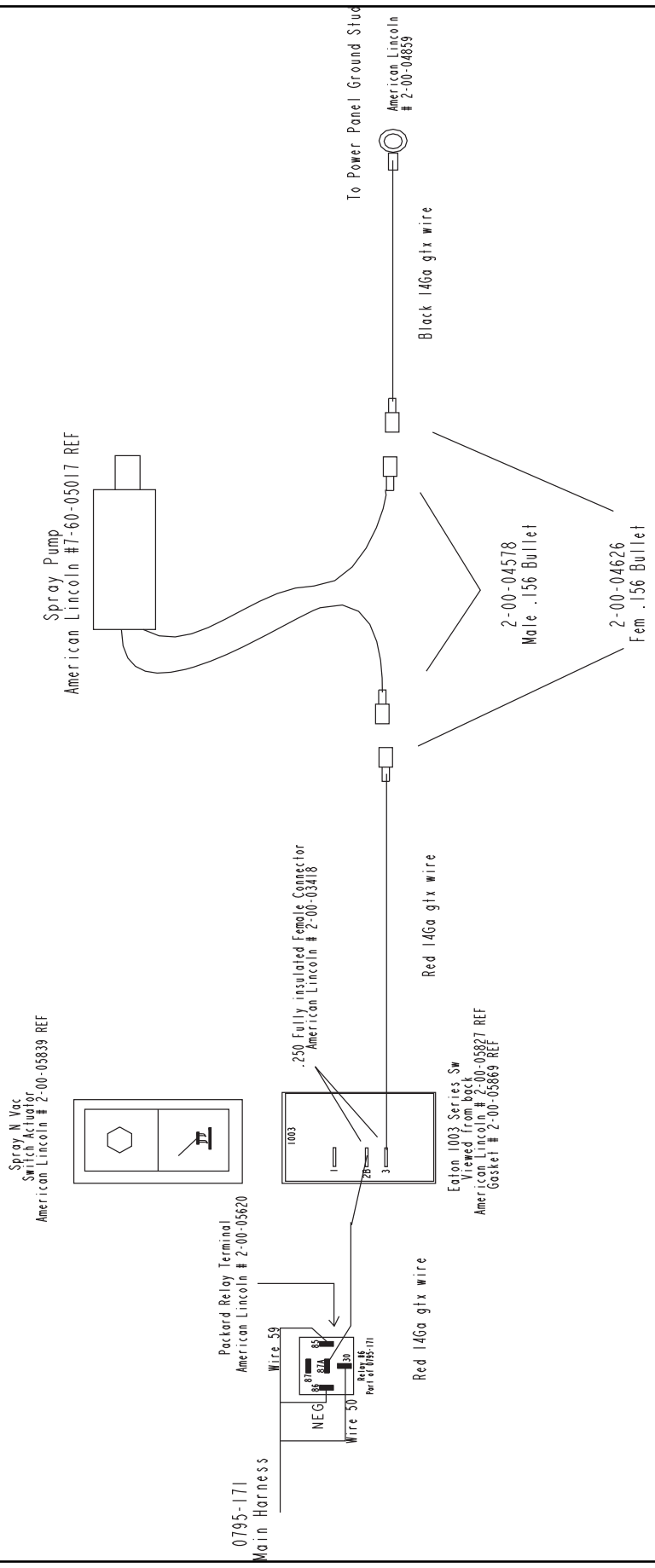


C1045/0403

KEY NO.	QTY	PART NUMBER	DESCRIPTION
1	1	0261-029	HOSE ASSEMBLY
2	1	7-03-00044	ADAPTER, TRANSITION
3	1	639804	WAND ASSEMBLY
4	1	638828	TOOL ASSEMBLY
5	2	7-13-07140	CLAMP, HOSE
6	1	7-33-02306	HOSE, SOLUTION FEED
7	2	2-00-05207	ADAPTER, HOSE, 1/4 x 1/8 NPT
8	2	2-00-05206	REDUCER, MALE PIPE, 1/4 x 1/8
9	1	7-88-00058	VALVE, SOLUTION 1/4 NPT
10	2	7-13-07139	CLAMP, VALVE
11	1	8-56-05026	ELBOW, 45° STREET
12	1	7-16-05028	COUPLING, QUICK DISCONNECT
13	2	2-00-00089	SCREW, RHM 10-24 x 1.5 LG
14	2	2-00-01246	NUT, ELASTIC STOP #10-24
15	1	2-00-05208	ADAPTER, PIPE, 1/8 BRASSE
16	1	7-50-01002	SPRAY NOZZLE

c1045/0403

SPRAY & VACUUM WAND/WIRING



SPARE PARTS KITS

**0760-904
SPARE PARTS KIT - 40"**

KEY NO.	QTY	PART NUMBER	DESCRIPTION
1	1	7-25-08088	FLAP, MAIN BROOM (RH)
2	1	7-25-08089	FLAP, MAIN BROOM (LH)
3	1	7-25-08090	FLAP, MAIN BROOM DOOR
4	1	7-25-08091	FLAP, MAIN BROOM REAR
5	1	7-25-08092	FLAP, HOPPER
6	1	7-29-00250	GASKET, DRAIN
7	1	7-29-00256	GASKET, BROOM CHAMBER (MIDDLE)
8	1	7-29-00257	GASKET, BROOM CHAMBER (RH)
9	1	7-29-00258	GASKET, BROOM CHAMBER (LH)
10	1	7-29-00259	GASKET, HOPPER
11	1	7-66-05011-1	ROLLER BUMPER
12	1	7-77-00109	SQUEEGEE, REAR OUTER
13	1	7-77-00110	SQUEEGEE, REAR INNER
14	1	7-77-00140	SQUEEGEE, SIDE INNER
15	1	7-77-00141	SQUEEGEE, SIDE OUTER
16	1	7-24-04014	FILTER, HYDRAULIC
17	1	7-33-02420	HOSE, SQUEEGEE

**0760-905
SPARE PARTS KIT - 46"**

KEY NO.	QTY	PART NUMBER	DESCRIPTION
1	1	7-25-08088	FLAP, MAIN BROOM (RH)
2	1	7-25-08089	FLAP, MAIN BROOM (LH)
3	1	7-25-08090	FLAP, MAIN BROOM DOOR
4	1	7-25-08091	FLAP, MAIN BROOM REAR
5	1	7-25-08092	FLAP, HOPPER
6	1	7-29-00250	GASKET, DRAIN
7	1	7-29-00256	GASKET, BROOM CHAMBER (MIDDLE)
8	1	7-29-00257	GASKET, BROOM CHAMBER (RH)
9	1	7-29-00258	GASKET, BROOM CHAMBER (LH)
10	1	7-29-00259	GASKET, HOPPER
11	1	7-66-05011-1	ROLLER BUMPER
12	1	7-77-00109	SQUEEGEE, REAR OUTER
13	1	7-77-00110	SQUEEGEE, REAR INNER
14	1	7-77-00142	SQUEEGEE, SIDE INNER
15	1	7-77-00143	SQUEEGEE, SIDE OUTER
16	1	7-24-04014	FILTER, HYDRAULIC
17	1	7-33-02420	HOSE, SQUEEGEE



American-Lincoln®

14600 21st Avenue North
Plymouth, MN 55447-3408
www.americanlincoln.com
Phone: 800-331-7692
Fax: 877-877-2586
©2006 American-Lincoln