



Electronic Service Manuals

This electronic document is provided as a service to our customers. We do not create the contents of the information contained in this document. Should you have detailed questions pertaining to the information contained in this document, you may contact Michco, or the manufacturer which provided the original information in this electronic deliverable. Michco's only part in this electronic deliverable was the electronic assembly process. By providing this manual on line we are not guaranteeing parts availability.

You may contact Michco through the following methods:

Phone (517) 484-9312 or (800) 331-3339

2011 N. High St. -- Lansing, Michigan -- 48906

Fax: (517) 484-9836

Email: CustServe@Michco.com

Web site: www.Michco.Com

Parts Web site: www.FloorMachineParts.Com

Order Parts on Line at:

www.FloorMachineParts.Com

Directly to Parts & Service:

By Email: **Shop@Michco.com**

By Fax: (517) 702-2041

By Voice: Use numbers above.

Serving the Cleaning Industry Since 1922

Notice: All copyrighted material remains property of original owners, all trademarks are property of respective owners. Manuals are subject to Manufacturer's reproduction limitations. Originals or reproductions were provided by manufacturers through a request. We make no warranty as to the correctness of information provided in this document and you assume all risk. By placing these manuals on line we are not declaring our corporation to be an manufacturer authorized dealer or provider, please check our web site for authorized manufacturers we represent.

TABLE OF CONTENTS - CHAPTER 2

| | |
|---|-------|
| Main Broom Lever | 2-4 |
| Side Broom - Battery | 2-6 |
| Side Broom - Gas/LP/Diesel | 2-7 |
| Side Broom Pulley | 2-8 |
| Side Broom Lever | 2-10 |
| Side Broom Lift System-Battery | 2-12 |
| Side Broom Lift System-Gas/LP/Diesel | 2-14 |
| Broom Chamber Flaps & Seals | 2-16 |
| Lower Door | 2-18 |
| Hopper (Variable Dump) | 2-20 |
| Hopper Lid/Cover (Variable Dump) | 2-24 |
| Hopper Dump Door | 2-25 |
| Hopper Door Cylinder-Gas | 2-26 |
| Hopper Door Cylinder-Battery | 2-27 |
| Hopper Control Valve - Battery (Variable Dump) | 2-28 |
| Hopper Control Valve - Gas/LP/Diesel (Variable Dump) | 2-29 |
| Scrub Deck (46") - Battery | 2-30 |
| Scrub Deck (46") - Gas/LP/Diesel | 2-33 |
| Scrub Deck & Squeegee (53") - Battery | 2-36 |
| Scrub Deck & Squeegee (53") - Gas/LP/Diesel | 2-44 |
| Side Squeegees (46") | 2-48 |
| Rear Squeegees (46") | 2-49 |
| Squeegee Lift - Battery | 2-50 |
| Squeegee Lift - Gas/LP/Diesel | 2-52 |
| Swing Squeegee Support | 2-54 |
| Solution Tank | 2-56 |
| Solution Feed | 2-58 |
| Recovery Tank | 2-60 |
| Recovery Drain System | 2-62 |
| Front Bumper | 2-63 |
| Front Wheel | 2-64 |
| Wheel Well Flap | 2-65 |
| Rear Wheel Assembly | 2-66 |
| Brake Pedal | 2-68 |
| Forward/Reverse Control - Battery | 2-70 |
| Forward/Reverse Control - Gas/LP/Diesel | 2-72 |
| Frame | 2-74 |
| Safety Arm | 2-75 |
| Steering Column | 2-76 |
| Vac Fan - Battery | 2-78 |
| Vac Fan - Gas/LP/Diesel | 2-79 |
| Vac Motor Manifold | 2-80 |
| Filter Shaker | 2-82 |
| Console | 2-84 |
| Seat & Floor Assembly | 2-86 |
| Pump Assembly, Wheel Drive - Battery | 2-88 |
| Hydraulic Tubes | 2-92 |
| Hydraulics Main Broom | 2-93 |
| Hydraulic Hose Diagram - Gas/LP/Diesel (Variable Dump) | 2-94 |
| Hydraulic Schematic (Gas/LP/Diesel) | 2-95 |
| Hydraulic Schematic (Battery) | 2-95A |
| Hydraulic Hose Diagram - Battery (Variable Dump) | 2-96 |
| Side Broom Hydraulics | 2-98 |
| Hopper Lift Hydraulics | 2-99 |
| Hopper Dump Door Hydraulics | 2-100 |
| Hopper Control Check Valve Hydraulics - Gas/LP/Diesel (Variable Dump) | 2-101 |

TABLE OF CONTENTS - CHAPTER 2

| | |
|--|-------|
| Scrub Deck Hydraulics | 2-102 |
| Scrub Deck Lift Hydraulics - Battery | 2-103 |
| Scrub Deck Lift Hydraulics - Gas/LP/Diesel | 2-104 |
| Squeegee Lift Hydraulics | 2-105 |
| Hydraulic Reservoir - Battery | 2-106 |
| Hydraulic Reservoir (Piston Pump) | 2-108 |
| Wheel Drive Hydraulics | 2-110 |
| Hydraulic Pump - Gas | 2-112 |
| Hydraulic Main Control Valve - Gas/LP/Diesel | 2-114 |
| Hydraulic Cylinder Control Valve - Gas/LP/Diesel | 2-116 |
| Hydraulic Return Block | 2-118 |
| Vac Fan Hopper Hydraulics | 2-120 |
| Steering 90° - 90° Hydraulics | 2-121 |
| Engine Covers - Battery | 2-122 |
| Engine Covers - Gas/LP/Diesel | 2-124 |
| Fuel Tank - Gas | 2-126 |
| Fuel Tank - LP | 2-128 |
| Fuel Tank - Diesel | 2-132 |
| Fuel System - LP | 2-134 |
| Fuel System - Diesel | 2-136 |
| Ford 413 Gas Engine | 2-138 |
| Ford 413 LP Engine | 2-140 |
| Perkins 104.19 Diesel Engine | 2-142 |
| Muffler - Gas/LP | 2-144 |
| Muffler & Alternator Mounting - Diesel | 2-146 |
| Radiator and Shroud - Gas | 2-148 |
| Radiator and Shroud - Diesel | 2-149 |
| Electrical Assembly - Battery | 2-150 |
| Battery Electrical Assembly - Gas/LP/Diesel | 2-152 |
| Instrument Panel - Battery | 2-154 |
| Electrical Harness Routing - Battery | 2-156 |
| Electrical Harness Routing - Gas | 2-157 |
| Electrical Harness Routing - Diesel | 2-158 |
| Throttle Control | 2-159 |
| Decals | 2-160 |
| Notes | 2-162 |
| Electrical Schematic Battery | 2-163 |
| Electrical Schematic Gas | 2-164 |
| Electrical Schematic Diesel | 2-165 |
| Machine Connection Diagram Battery | 2-166 |
| Machine Connection Diagram Gas | 2-167 |
| Machine Connection Diagram Diesel | 2-168 |
| Instrument Panel Connection Diagram Gas/Diesel | 2-169 |
| Floor Panel Connection Diagram Gas/Diesel | 2-170 |
| Instrument Panel Connection Diagram Battery | 2-171 |
| Floor Panel Connection Diagram Battery | 2-172 |
| Power Panel Connection Battery | 2-173 |

MAIN BROOM - PARTS LIST

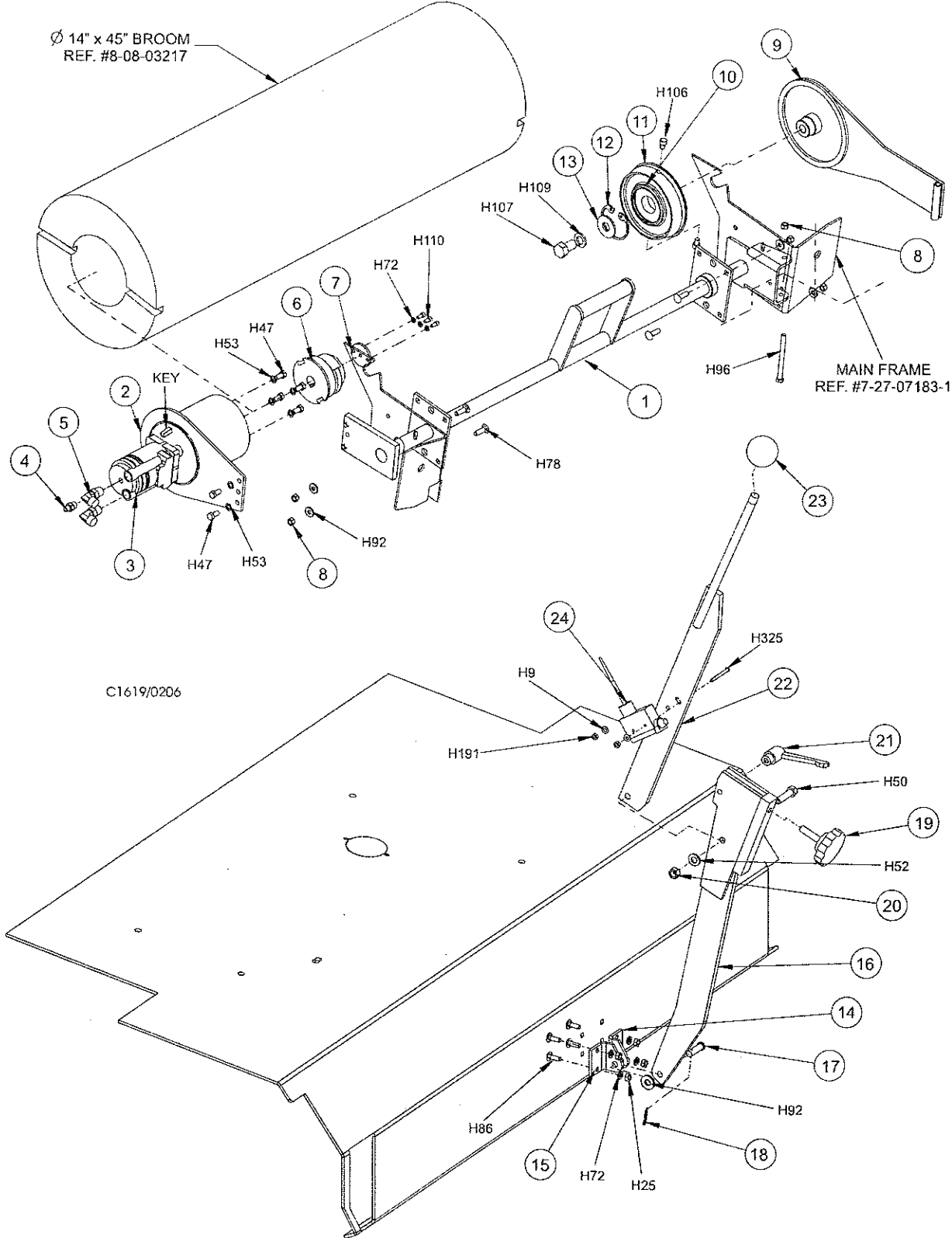
| KEY NO. | PART NUMBER | DESCRIPTION | QTY. |
|---------|--------------|----------------------------------|------|
| 1 | 7-03-04226 | Main Broom Lift Frame | 1 |
| 2 | 8-16-00041 | Drive Broom Arm | 1 |
| 3 | 0882-040 | Hydraulic Motor-Main Broom | 1 |
| 4 | 2-00-04895 | Fitting, Straight Connector | 1 |
| 5 | 2-00-04885 | Fitting, 90° Elbow (O-Ring) | 2 |
| 6 | 8-33-09046-1 | Hub, Broom Driver | 1 |
| 7 | 8-58-05160 | Broom Driver Locking Plate | 1 |
| 8 | 2-95-04182 | Nut, 3/8-16 Elastic Stop Nut | 5 |
| 9 | 7-03-04158 | Arm, Main Broom Idler | 1 |
| 10 | 2-00-04889 | Bearing, Main Broom Idler | 1 |
| 11 | 8-33-09090 | Idler, Main Broom (Machined) | 1 |
| 12 | 2-00-04890 | Retaining ring, Main Broom Idler | 1 |
| 13 | 8-75-01157 | Thrust Washer | 1 |
| 14 | 7-08-01023 | Bracket, Broom Link Pivot, RH | 1 |
| 15 | 7-08-01024 | Bracket, Broom Link Pivot, LH | 1 |
| 16 | 7-42-05167 | Link, Broom | 1 |
| 17 | 2-00-05266 | Pin, 3/8 DIA | 1 |
| 18 | 2-00-05249 | Hair Pin (Cotter) | 1 |
| 19 | 7-39-00034 | Knob, 3/8 x 16 x 2 LG | 1 |
| 20 | 2-95-04182 | Nut, 3/8-16 Elastic Stop Nut | 1 |
| 21 | 7-39-00033 | Knob, 5/16-18 Adjustable Handle | 1 |
| 22 | 7-41-05118 | Lever, Main Broom | 1 |
| 23 | 8-39-00003 | Knob | 1 |
| 24 | 8-82-00058 | Switch | 1 |

HARDWARE USED:

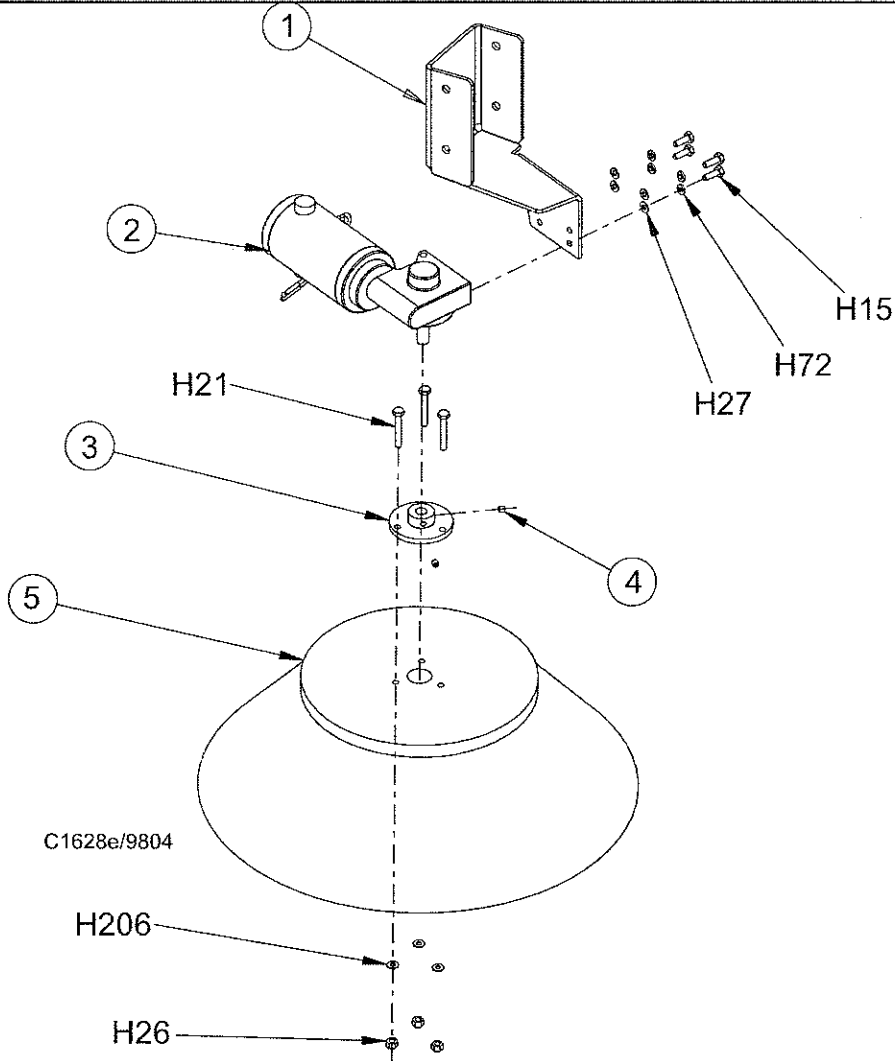
| | | | |
|------|------------|--|---|
| H9 | 2-00-00426 | Flat Washer, .500 x .219 x .063 | 2 |
| H25 | 2-00-00594 | Nut, Hex 1/4-20 x .437 x .218 | 4 |
| H47 | 2-00-00232 | Screw, 3/8-16 x .750 HHC | 6 |
| H50 | 2-00-00234 | Screw, 3/8-16 x 1.500 HHC | 1 |
| H52 | 2-00-00402 | Flat Washer, .750 x .390 x .094 | 1 |
| H53 | 2-00-02310 | Lock Washer, Helical Spring 3/8 Med. | 6 |
| H72 | 2-00-00518 | Lock Washer, Helical Spring | 7 |
| H78 | 2-00-05187 | Carriage Bolt, 3/8-16 x 1.250 | 4 |
| H86 | 2-00-03575 | Carriage Bolt, 1/4-20 x .750 | 4 |
| H92 | 2-00-04801 | Flat Washer, .875 x .375 x .125 | 5 |
| H96 | 2-00-02605 | Screw, 3/8-16 x 4.500 HHC, Cadium Plated | 1 |
| H106 | 2-00-04886 | Screw, 3/8-16 x .500 HSHC | 2 |
| H107 | 2-00-04887 | Screw, Main Broom Control | 1 |
| H109 | 2-00-00522 | Lock Washer, 3/4 Helical Spring | 1 |
| H110 | 2-00-03039 | Screw, 1/4-20 x .625 HSHC | 3 |
| H191 | 2-00-00602 | Nut, MSCR - Hex, 8-32 | 2 |
| H325 | 2-00-00092 | Screw, Ph.RHM #8-32 x 1.75 Zn. | 2 |

C1619/0206

MAIN BROOM - EXPLODED VIEW



SIDE BROOM - BATTERY



| <u>KEY NO.</u> | <u>PART NUMBER</u> | <u>DESCRIPTION</u> | <u>QTY.</u> |
|----------------|--------------------|---|-------------|
| 1 | 7-08-00902 | Bracket-Side Broom | Ref. |
| 2 | 0885-082 | Motor Gear Unit-Side Broom | 1 |
| 3 | 7-25-06035 | Flange-Broom Mount | 1 |
| 4 | 2-00-00263 | Set Screw-HS Knurled Cup Pt. #10-24 x 3/8 | 2 |
| 5 | 8-08-03140 | Broom-Curb | 1 |

HARDWARE USED:

| | | | |
|-----|------------|-----------------------------|---|
| H15 | 2-00-00221 | Screw, 1/4-20 x .750 HHC | 4 |
| H21 | 2-00-01769 | Screw, 1/4-20 x 1.750 HHC | 3 |
| H26 | 2-00-00641 | Nut, 1/4-20 Insert Fiber | 3 |
| H27 | 2-00-03702 | Washer, .625 x .281 x .063 | 7 |
| H72 | 2-00-00518 | Lock Washer, Helical Spring | 4 |

C1628e/0302

SIDE BROOM PULLEY-PARTS LIST

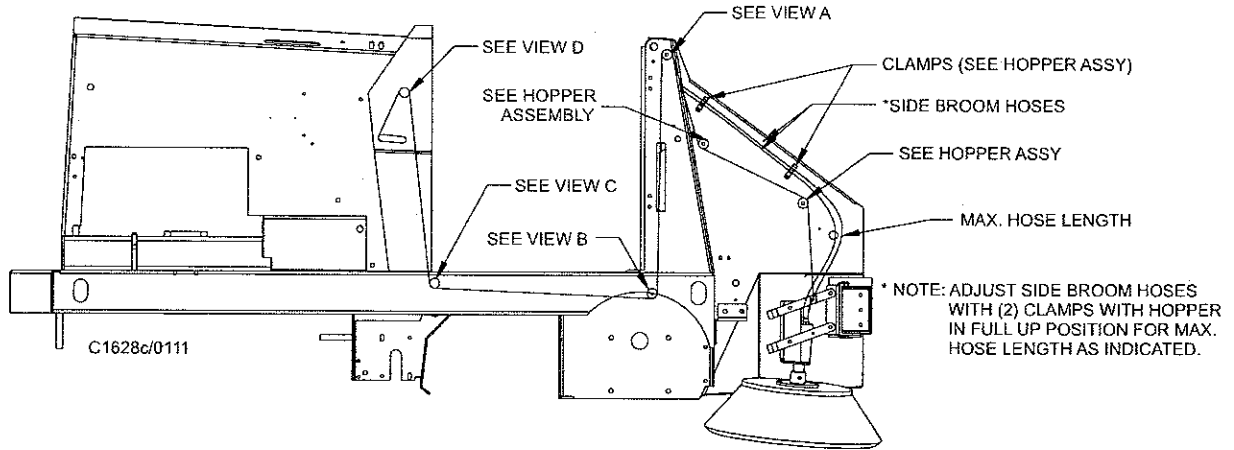
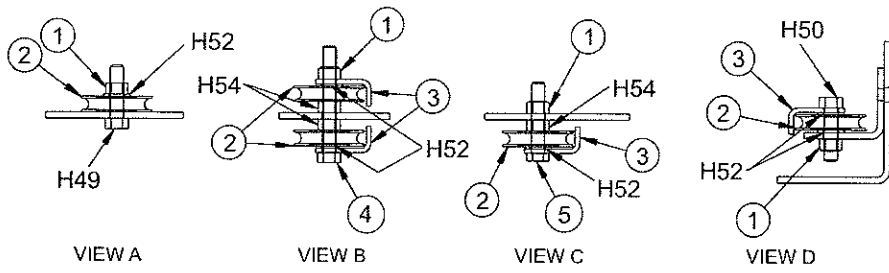
| <u>KEY NO.</u> | <u>PART NUMBER</u> | <u>DESCRIPTION</u> | <u>QTY.</u> |
|----------------|--------------------|---------------------------|-------------|
| 1 | 2-95-04182 | Fiber Nut | 4 |
| 2 | 7-60-00160 | Pulley - Cable | Ref. |
| 3 | 7-13-07130 | Clip - Cable Retainer | Ref. |
| 4 | 2-00-05384 | Screw, 3/8-16 x 3.000 HHC | 1 |
| 5 | 2-00-00235 | Screw, 3/8-16 x 1.750 HHC | 1 |

HARDWARE USED:

| | | | |
|-----|------------|---------------------------------|---|
| H49 | 2-00-00209 | Screw, 3/8-16 x 1.250 HHC | 1 |
| H50 | 2-00-00234 | Screw, 3/8-16 x 1.500 HHC | 1 |
| H52 | 2-00-00402 | Flat Washer, .750 x .390 x .094 | 4 |
| H54 | 2-00-02360 | Nut, Hex. 3/8-16 | 3 |

C1628c/0111

SIDE BROOM PULLEY-EXPLODED VIEW



SIDE BROOM LEVER - PARTS LIST

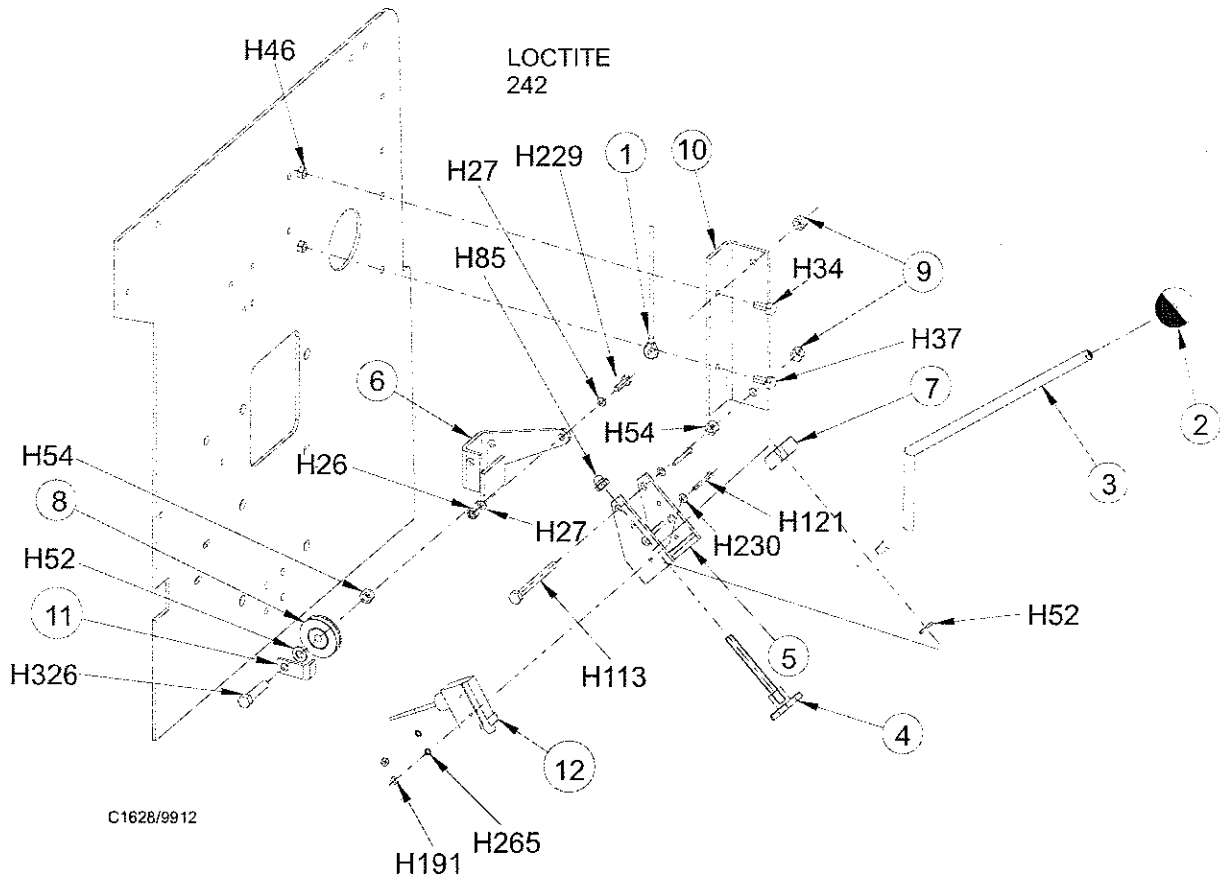
| <u>KEY NO.</u> | <u>PART NUMBER</u> | <u>DESCRIPTION</u> | <u>QTY.</u> |
|----------------|--------------------|-----------------------------|-------------|
| 1 | 7-10-00030 | Cable | Ref. |
| 2 | 8-39-00003 | Control Knob | 1 |
| 3 | 7-66-00170 | Lever Handle - SB | 1 |
| 4 | 8-39-00013 | Knob Assembly | 1 |
| 5 | 8-08-00773 | Broom Lift - MB-SB Weldment | 1 |
| 6 | 8-08-00866 | Bracket - Angle Adj.-SB | 1 |
| 7 | 8-50-03002 | Broom Adj Block | 1 |
| 8 | 7-60-00160 | Pulley, Cable | 4 |
| 9 | 2-95-04182 | Fiber Nut | 2 |
| 10 | 7-08-00851 | Bracket - Angle Adj.-SB | 1 |
| 11 | 7-13-07130 | Clip - Cable Retainer | 4 |
| 12 | 8-82-00058 | Switch | 1 |

HARDWARE USED:

| | | | |
|------|----------------------|-------------------------------------|---|
| H26 | 2-00-00641 | Nut, 1/4-20 Insert Fiber | 1 |
| H34 | 2-00-00208 | Screw, 5/16-18.x .750 HHC | 1 |
| H37 | 2-00-00207(GAS ONLY) | Screw, 5/16-18 x 1.250 HHC | 1 |
| H46 | 2-00-00644 | Nut, 5/16-18 Insert Fiber | 1 |
| H52 | 2-00-00402 | Flat Washer, .750 x .390 x .094 | 1 |
| H54 | 2-00-02360 | Nut, Hex. 3/8-16 | 2 |
| H85 | 2-00-00650 | Nut, Cap 3/8-16 Low Crown | 1 |
| H113 | 2-00-03333 | Screw, 3/8-16 x 3.750 HHC | 1 |
| H121 | 2-00-00090 | Screw, #8-32 x 1.500 RHM | 2 |
| H191 | 2-00-00602 | Nut, MSCA - Hex, 8-32 | 2 |
| H229 | 2-00-01490 | Screw, .25-20 x .875 HHC STL | 2 |
| H230 | 2-00-00466 | Flat Washer, .625 x .203 x .031 | 2 |
| H265 | 2-00-00506 | Lock Washer, Int Tooth #8 Dia Screw | 2 |
| H326 | 2-00-00235 | Screw HHC .375-16 x 1.75 | 1 |

C1628/9912

SIDE BROOM LEVER - EXPLODED VIEW



SIDE BROOM LIFT SYSTEM (BATTERY) - PARTS LIST

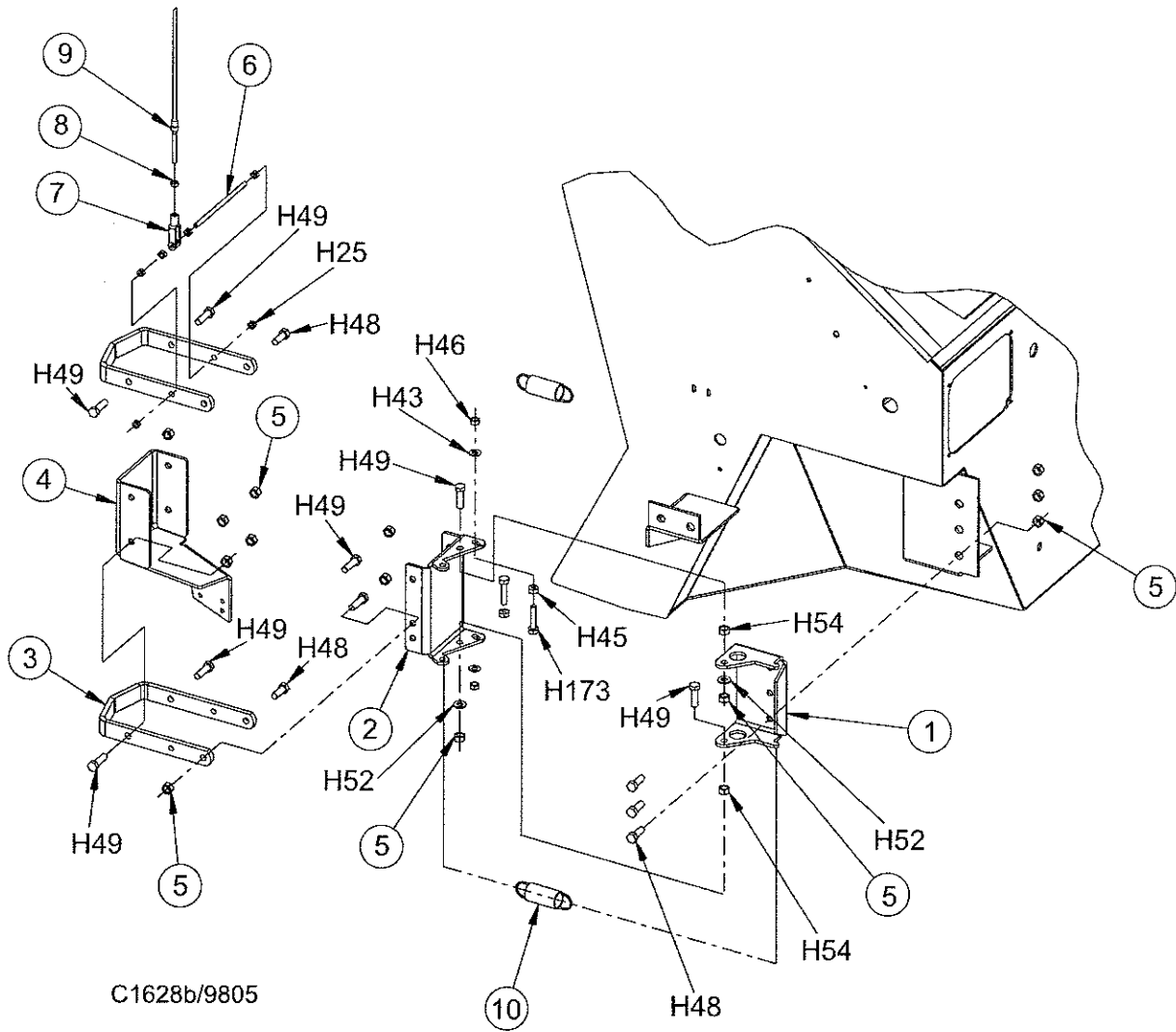
| <u>KEY NO.</u> | <u>PART NUMBER</u> | <u>DESCRIPTION</u> | <u>QTY.</u> |
|----------------|--------------------|----------------------------|-------------|
| 1 | 8-08-00790 | Bracket - Side Broom | 1 |
| 2 | 8-08-00846 | Pivot Bracket - Side Broom | 1 |
| 3 | 8-42-05136 | Link - Side Broom Lift | 2 |
| 4 | 7-08-00902 | Bracket - Side Broom | 1 |
| 5 | 2-95-04182 | Nut, 3/8-16 Elastic Stop | 13 |
| 6 | 7-66-00180 | Rod - Threaded | 1 |
| 7 | 8-14-01006 | Clevis | 1 |
| 8 | 2-95-01999 | Nut - Hex Jam, .25-28 ZN | 1 |
| 9 | 7-10-00030 | Cable - Side Broom | Ref. |
| 10 | 7-76-00101 | Spring - Brush Load | 2 |

HARDWARE USED:

| | | | |
|------|------------|---------------------------------|---|
| H25 | 2-00-00594 | Nut, Hex, 1/4-20 x .437 x .218 | 6 |
| H43 | 2-00-00409 | Flat Washer, .687 x .344 x .062 | 2 |
| H45 | 2-00-00585 | Nut, Hex, 5/16-18 x .503 x .265 | 2 |
| H46 | 2-00-00644 | Nut, 5/16-18 Insert Fiber | 2 |
| H48 | 2-00-00233 | Screw, 3/8-16 x 1.000 HHC | 5 |
| H49 | 2-00-00209 | Screw, 3/8-16 x 1.250 HHC | 8 |
| H52 | 2-00-00402 | Flat Washer, .750 x .390 x .094 | 4 |
| H54 | 2-00-02360 | Nut, Hex, 3/8-16 | 2 |
| H173 | 2-00-02709 | Screw, 5/16-18 x 1.500 | 2 |

C1628b/0203

SIDE BROOM LIFT SYSTEM (BATTERY) - EXPLODED VIEW



SIDE BROOM LIFT SYSTEM (Gas/LP/Diesel) - PARTS LIST

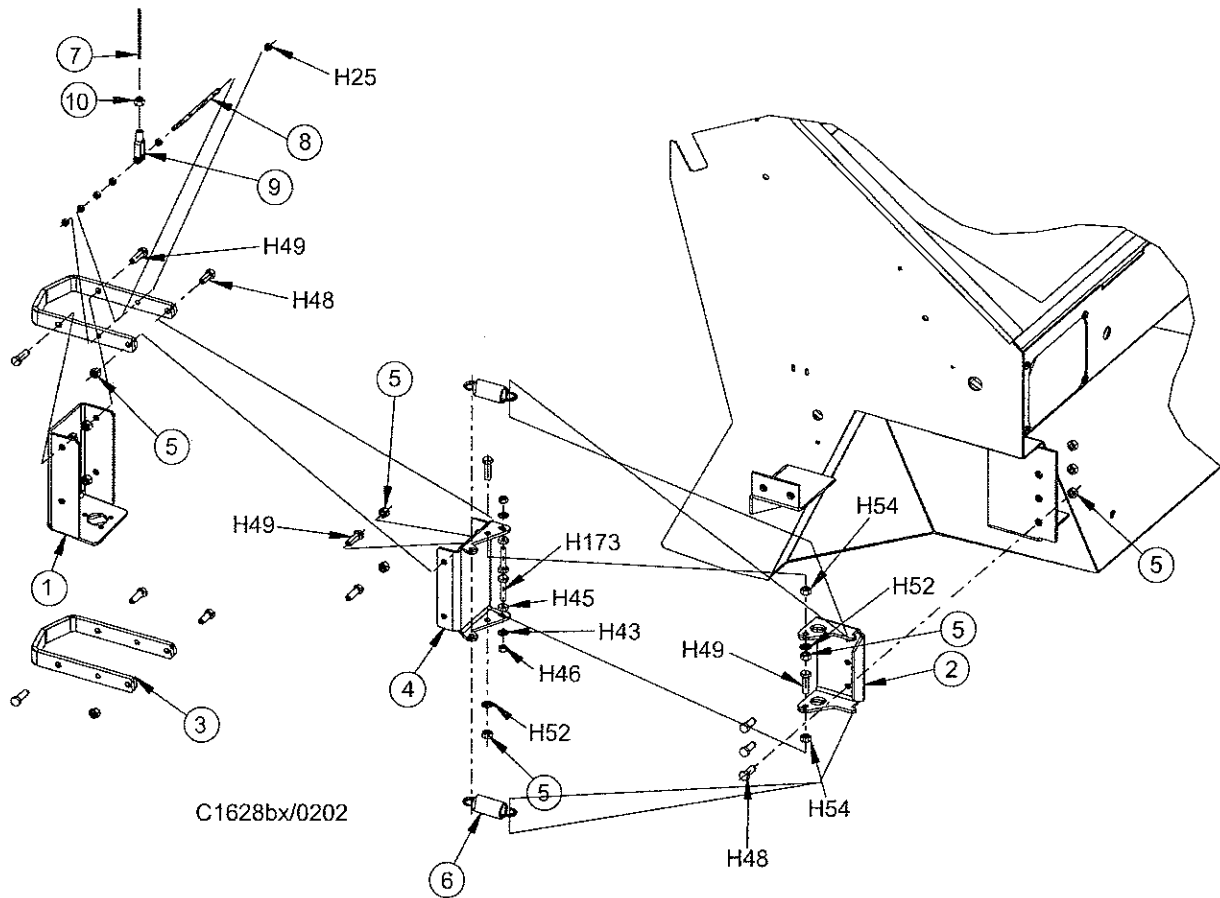
| <u>KEY NO.</u> | <u>PART NUMBER</u> | <u>DESCRIPTION</u> | <u>QTY.</u> |
|----------------|--------------------|----------------------------|-------------|
| 1 | 7-08-00847 | Bracket - Side Broom | 1 |
| 2 | 8-08-00790 | Bracket - Side Broom | 1 |
| 3 | 8-42-05136 | Link - Side Broom Lift | 2 |
| 4 | 8-08-00846 | Pivot Bracket - Side Broom | 1 |
| 5 | 2-95-04182 | Nut, 3/8-16 Elastic Stop | 13 |
| 6 | 7-76-00101 | Spring - Brush Load | 2 |
| 7 | 7-10-00030 | Cable - Side Broom | Ref |
| 8 | 7-66-00180 | Rod - Threaded | 1 |
| 9 | 8-14-01006 | Clevis | 1 |
| 10 | 2-95-01999 | Nut - Hex Jam, .25-28 ZN | 1 |

HARDWARE USED:

| | | | |
|------|------------|---------------------------------|---|
| H25 | 2-00-00594 | Nut, Hex, 1/4-20 x .437 x .218 | 6 |
| H43 | 2-00-00409 | Flat Washer, .687 x .344 x .062 | 2 |
| H45 | 2-00-00585 | Nut, Hex. 5/16-18 x .503 x .265 | 2 |
| H46 | 2-00-00644 | Nut, 5/16-18 Insert Fiber | 2 |
| H48 | 2-00-00233 | Screw, 3/8-16 x 1.000 HHC | 8 |
| H49 | 2-00-00209 | Screw, 3/8-16 x 1.250 HHC | 8 |
| H52 | 2-00-00402 | Flat Washer, .750 x .390 x .094 | 4 |
| H54 | 2-00-02360 | Nut, Hex. 3/8-16 | 2 |
| H173 | 2-00-02709 | Screw, 5/16-18 x 1.500 | 2 |

C1628bx/0203

SIDE BROOM LIFT SYSTEM (Gas/LP/Diesel) - EXPLODED VIEW



BROOM CHAMBER FLAPS & SEALS- PARTS LIST

| <u>KEY NO.</u> | <u>PART NUMBER</u> | <u>DESCRIPTION</u> | <u>QTY.</u> |
|----------------|--------------------|------------------------------------|-------------|
| 1 | 7-25-08071 | Flap - Broom Chamber - Outer | 1 |
| 2 | 7-13-07167 | Clamp - Broom Chamber Flap - Inner | 1 |
| 3 | 7-25-08072 | Flap - Broom Chamber - Inner | 1 |
| 4 | 7-13-07168 | Clamp - Broom Chamber Flap - Outer | 1 |
| 5 | | | |
| 6 | 8-29-00232 | Gasket- Broom Chamber | 1 |
| 7 | 8-29-00234 | Gasket-Broom Chamber | 1 |
| 8 | 8-29-00233 | Gasket - Broom Chamber | 3 |
| 9 | 8-21-04048 | Edging | 2 |
| 10 | 8-29-00256 | Gasket - Broom Chamber | 2 |
| 11 | 7-21-03003 | Edging | 1 |
| 12* | 7-21-04031 | Edging | 2 |
| 13# | 8-79-00030 | Static Strap | 1 |

Battery Only

* Gas/LP/Diesel Only

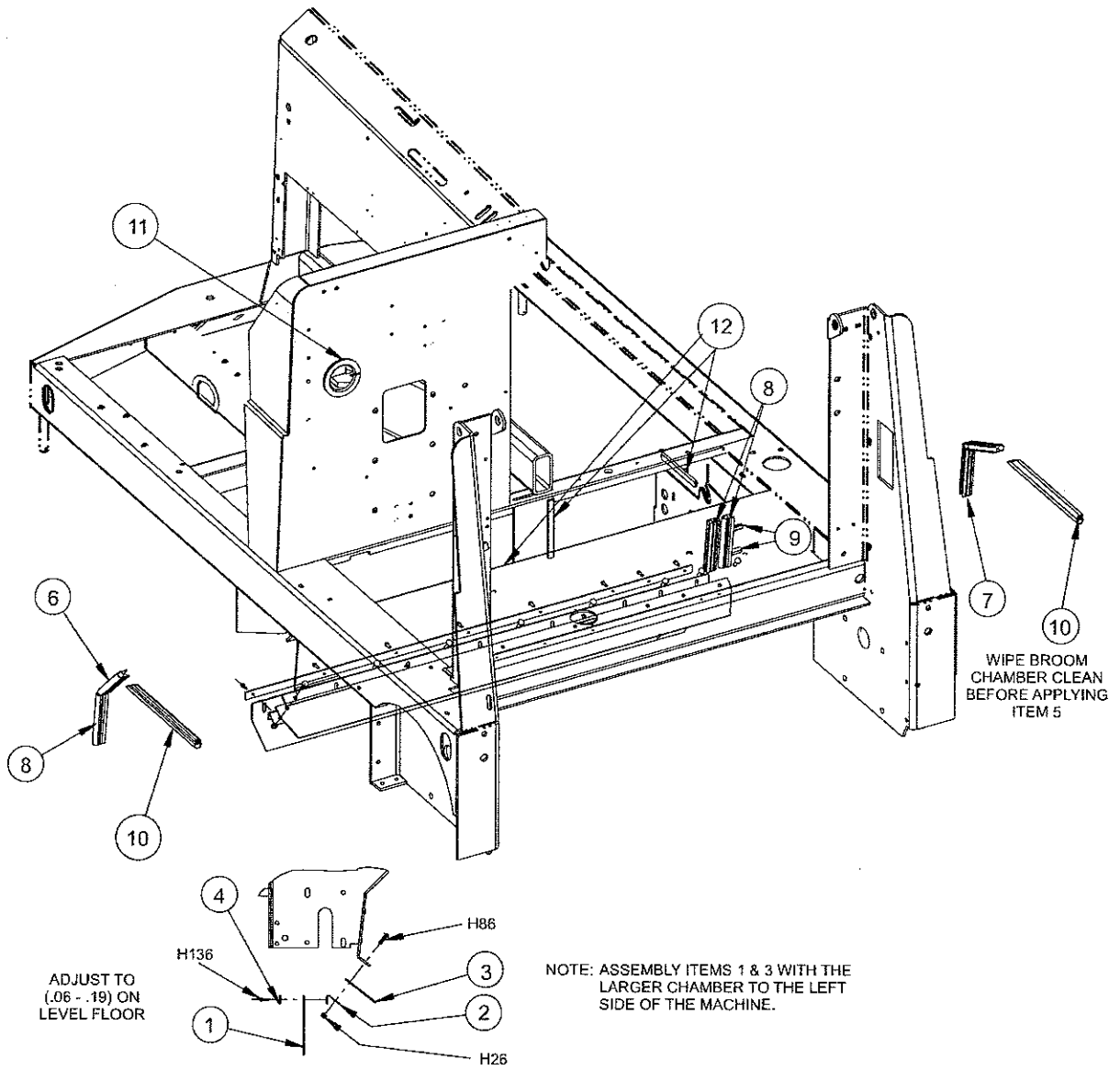
HARDWARE USED:

| | | | |
|-------|------------|-------------------------------------|---|
| H26 | 2-00-00641 | Nut, 1/4 Fiber Insert | 8 |
| H35# | 2-00-02708 | Screw, 5/16-18 X 1.000 HHC | 1 |
| H46# | 2-00-00644 | Nut, 5/16-18, Insert Fiber | 1 |
| H86 | 2-00-03575 | Carriage Bolt, .25-20 x .75 GR 5 ZN | 8 |
| H120# | 2-00-03829 | Lock Washer, 3/8 Bolt | 1 |
| H136 | 2-00-03940 | Screw, #10-24 x .500T/C HH | 8 |
| H149# | 2-00-01803 | Washer, 1.063 x .031 x .063 | 1 |

NOTE: H26, H86, H136 quantities are 7 each on the battery version.

C1620/0203

BROOM CHAMBER FLAPS & SEALS - EXPLODED VIEW



LOWER DOOR - PARTS LIST

| <u>KEY NO.</u> | <u>PART NUMBER</u> | <u>DESCRIPTION</u> | <u>QTY.</u> |
|----------------|--------------------|--------------------------|-------------|
| 1 * | 7-19-08057 | Broom Door Weldment (RH) | 1 |
| 2 | 8-41-00052 | Latch | 2 |
| 3 | 7-57-05038 | Pivot Retainer | 2 |
| 4 | 8-39-00015 | Latch Knob - Broom door | 2 |
| 5 * | 7-13-07171 | Clamp | 1 |
| 6 * | 8-25-08212 | Flap | 1 |
| 7 | 8-13-07145 | Clamp | 2 |
| 8 * | 7-19-08058 | Broom Door Weldment (LH) | 1 |
| 9 | 8-25-08212 | Flap | 1 |
| 10 # | 7-19-08060 | Door-Broom (L.H.) | 1 |

HARDWARE USED:

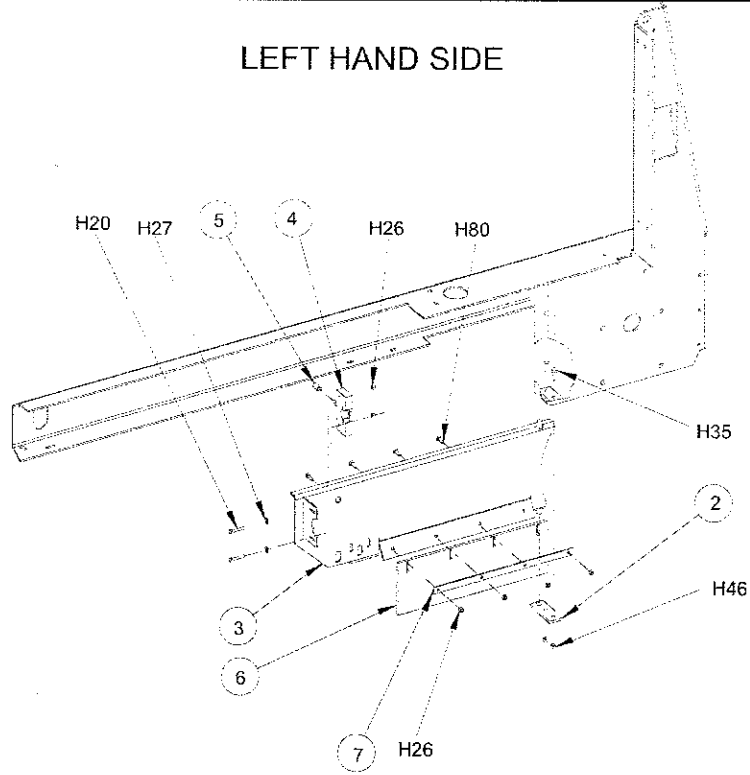
| | | | |
|------|------------|-----------------------------------|----|
| H17 | 2-00-00205 | Screw, 1/4-20 x 1.000 HHC | 2 |
| H20 | 2-00-00203 | Screw, 1/4-20 x 1.500 HHC | 2 |
| H26 | 2-00-00641 | Nut, 1/4-20 Insert Fiber | 10 |
| H27 | 2-00-03702 | Washer, .625 x .281 x .063 | 4 |
| H35 | 2-00-02708 | Screw, 5/16-18 x 1.000 HHM | 4 |
| H37 | 2-00-00207 | Screw, 5/16 -18 x 1.250 HHC | 2 |
| H43 | 2-00-00409 | Flat Washer, .687 x .344 x .062 | 8 |
| H46 | 2-00-00644 | Nut, 5/16-18 Insert Fiber | 4 |
| H80 | 2-00-02196 | Carriage Bolt, 1/4-20 x 1.000 RHM | 8 |
| H150 | 2-00-00211 | Screw, 5/16 - 20 x 1.750 HHC | 1 |

* - Gas/LP/Diesel Only
C1667/0302

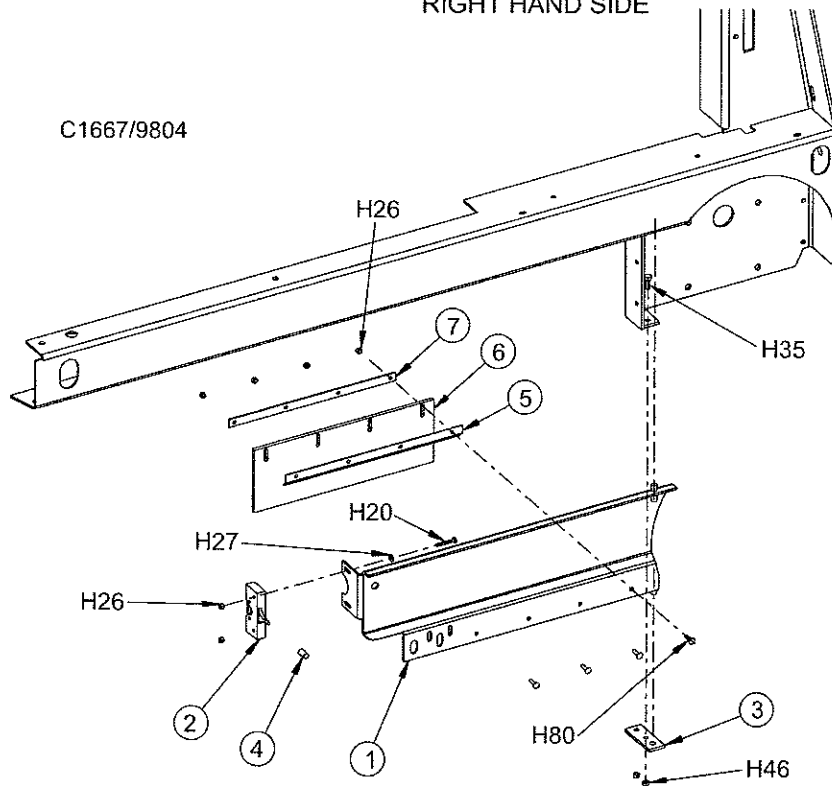
- Battery Only

LOWER DOOR - EXPLODED VIEW

LEFT HAND SIDE



RIGHT HAND SIDE



HOPPER (VARIABLE DUMP) - PARTS LIST

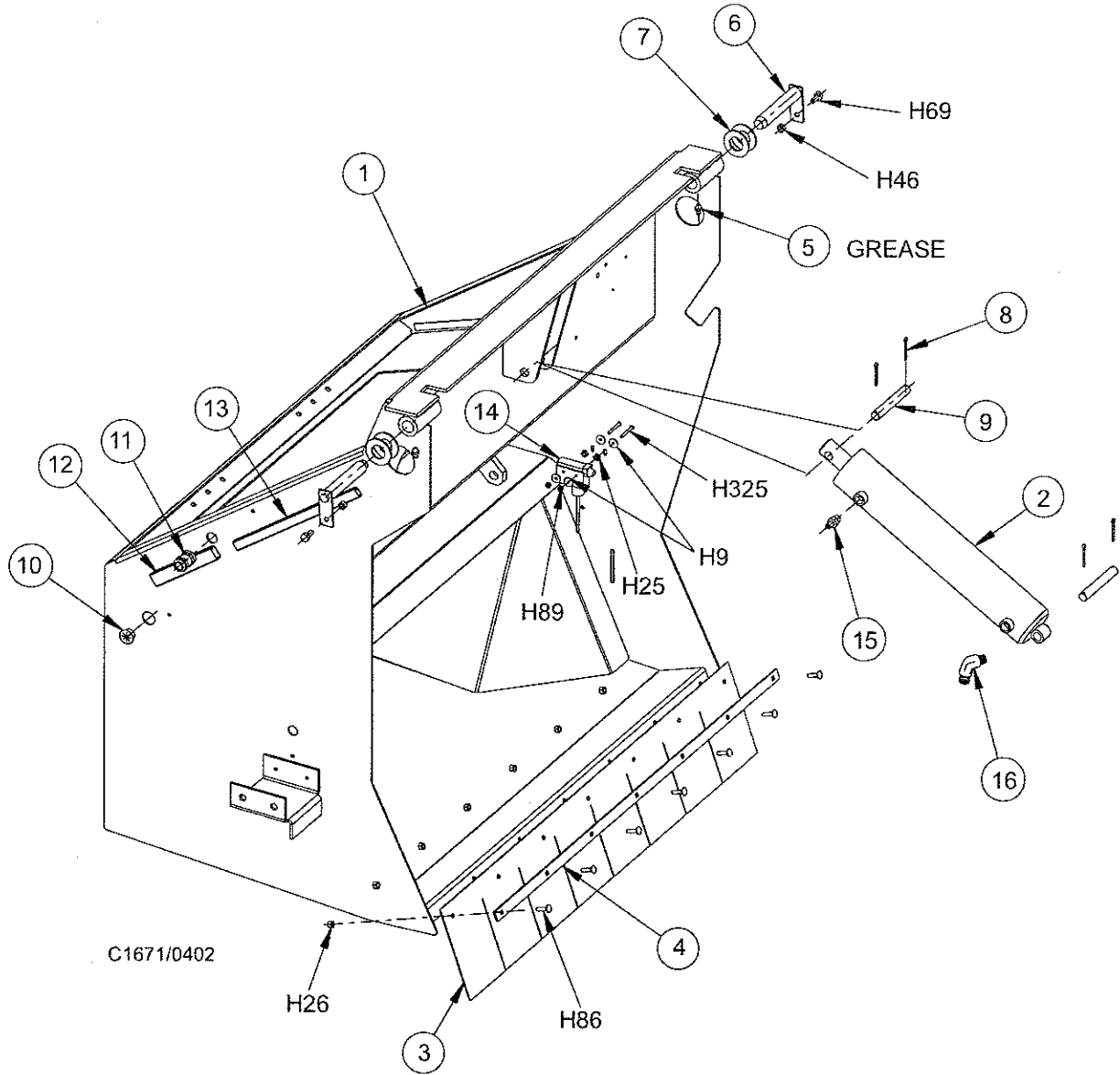
| <u>KEY NO.</u> | <u>PART NUMBER</u> | <u>DESCRIPTION</u> | <u>QTY.</u> |
|----------------|--------------------|------------------------|-------------|
| 1 | 7-32-06018 | Hopper - Variable Dump | 1 |
| 2 | 8-17-05022 | Lift Cylinder | Ref. |
| 3 | 7-25-08070 | Hopper Flap | 1 |
| 4 | 7-13-07173 | Clamp - Hopper Flap | 1 |
| 5 | 2-00-00566 | Grease Zerk | 2 |
| 6 | 7-55-08148 | Pin - Hopper Pivot | 2 |
| 7 | 2-00-05024 | Washer | 6 |
| 8 | 2-00-00776 | Cotter Pin | 4 |
| 9 | 8-55-08112 | Pin - Cylinder | 2 |
| 10 | 8-09-01082 | Bushing - Star | 1 |
| 11 | 8-09-01083 | Bushing - Liq Tight | 1 |
| 12 | 7-20-06012 | Duct 6" | Ref. |
| 13 | 8-20-06036 | Duct 12" | Ref. |
| 14 | 8-82-00058 | Switch | 1 |
| 15 | 2-00-05054 | Hyd Fitting | Ref. |
| 16 | 2-00-04589 | Hydraulic Fitting 90° | Ref. |

HARDWARE USED:

| | | | |
|------|------------|---------------------------------|---|
| H9 | 2-00-00426 | Flat Washer, .500 x .219 x .063 | 8 |
| H25 | 2-00-00594 | Nut, Hex. 1/4-20 x .437 x .218 | 8 |
| H26 | 2-00-00641 | Nut, 1/4-20 Insert Fiber | 7 |
| H46 | 2-00-00644 | Nut, 5/16-18 Insert Fiber | 2 |
| H69 | 2-00-01255 | Screw, 5/16-18 x .875 HHC | 2 |
| H86 | 2-00-03575 | Carriage Bolt, 1/4-20 x .750 | 7 |
| H89 | 2-00-01372 | Nut, Fiber Insert #8-32 Steel | 4 |
| H325 | 2-00-00092 | Screw, Ph.RHM #8-32 x 1.75 Zn. | 4 |

C1671/0402

HOPPER (VARIABLE DUMP) - EXPLODED VIEW



HOPPER (VARIABLE DUMP) cont. - PARTS LIST

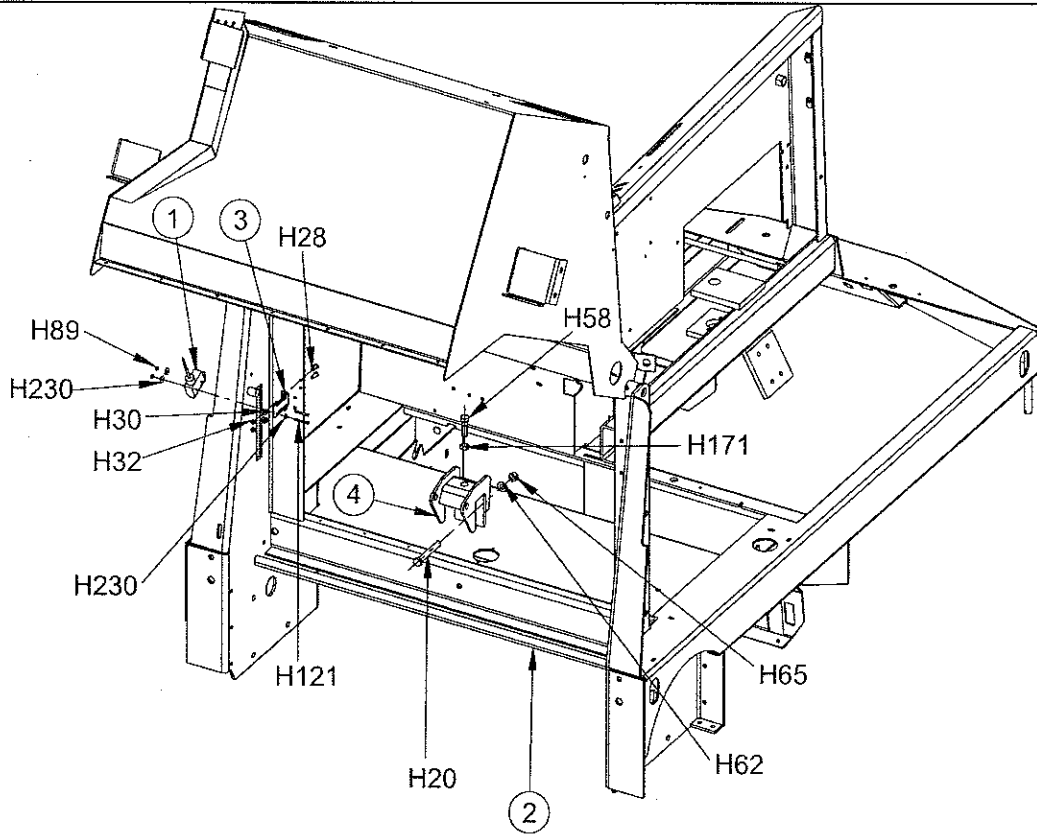
| <u>KEY NO.</u> | <u>PART NUMBER</u> | <u>DESCRIPTION</u> | <u>QTY.</u> |
|----------------|--------------------|--------------------------|-------------|
| 1 | 8-82-00058 | Switch | 1 |
| 2 | 7-29-00240 | Gasket | 1 |
| 3 | 7-08-02017 | Switch - Bracket | 1 |
| 4 | 7-81-00190 | Support - Cyl. Welded | 1 |
| 5 | 7-32-06018 | Hopper-Variable HT Dump | 1 |
| 6 | 7-29-00239 | Gasket - Hopper 85.0" | 1 |
| 7 | 7-20-06012 | Duct 6" | Ref. |
| 8 | 8-20-06036 | Duct 12" | Ref. |
| 9 | 7-21-04022 | Edging | 2 |
| 10 | 2-00-04603 | Clamp | 2 |
| 11 | 7-60-00160 | Pulley | 2 |
| 12 | 7-13-07130 | Clip-Cable Retainer | 2 |
| 13 | 7-10-00030 | Cable-Side Broom | Ref |
| 14 | 7-75-01066 | Spacer | 2 |
| 15 | 8-40-05051 | Head Light (Gas, Diesel) | 2 |
| 15 | 8-40-05052 | Head Light (Battery) | 2 |

HARDWARE USED:

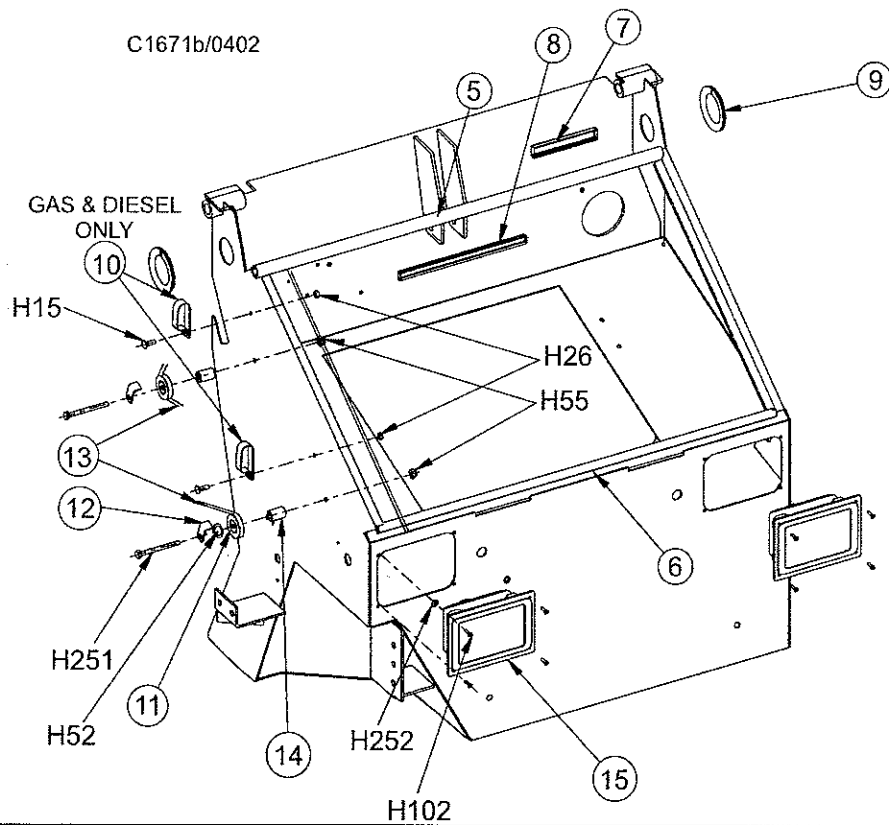
| | | | |
|------|------------|--------------------------------------|---|
| H15 | 2-00-00221 | Screw, 1/4-20 x .750 HHC | 2 |
| H23 | 2-00-01980 | Screw, 1/4-20 x 2.500 HHC | 1 |
| H25 | 2-00-00594 | Nut, Hex 1/4-20 x .437 x .218 | 2 |
| H26 | 2-00-00641 | Nut, 1/4-20 Insert Fiber | 2 |
| H28 | 2-00-04685 | Screw, 1/4-20 x .750 HHC | 2 |
| H30 | 2-00-04687 | Lock Washer, Helical Spring 1/4 Med. | 2 |
| H32 | 2-00-04688 | Nut, 1/4-20 Hex. | 2 |
| H52 | 2-00-00402 | Flat Washer, .750 x .390 x .094 | 2 |
| H55 | 2-00-00643 | Nut, 3/8-16 Stop | 2 |
| H58 | 2-00-00241 | Screw, 1/2-13 x 1.750 HHC | 1 |
| H62 | 2-00-00405 | Flat Washer, 1.063 x .531 x .094 | 1 |
| H65 | 2-00-04936 | Nut, 1/2-13 Fiber Lock | 1 |
| H89 | 2-00-01372 | Nut, Fiber Insert #8-32 Steel | 2 |
| H102 | 2-00-04795 | Screw, #10-24 x .750 BHS | 8 |
| H121 | 2-00-00090 | Screw, #8-32 x 1.500 RHM | 2 |
| H171 | 2-00-02371 | Nut, Hex Jam 1/2-13 Steel | 1 |
| H251 | 2-00-02602 | Screw, 3/8-16 x 2.750 HHC CAD. PL | 2 |
| H252 | 2-00-00600 | Nut, Hex Heavy 3/8-16 | 4 |

C1671b/9805

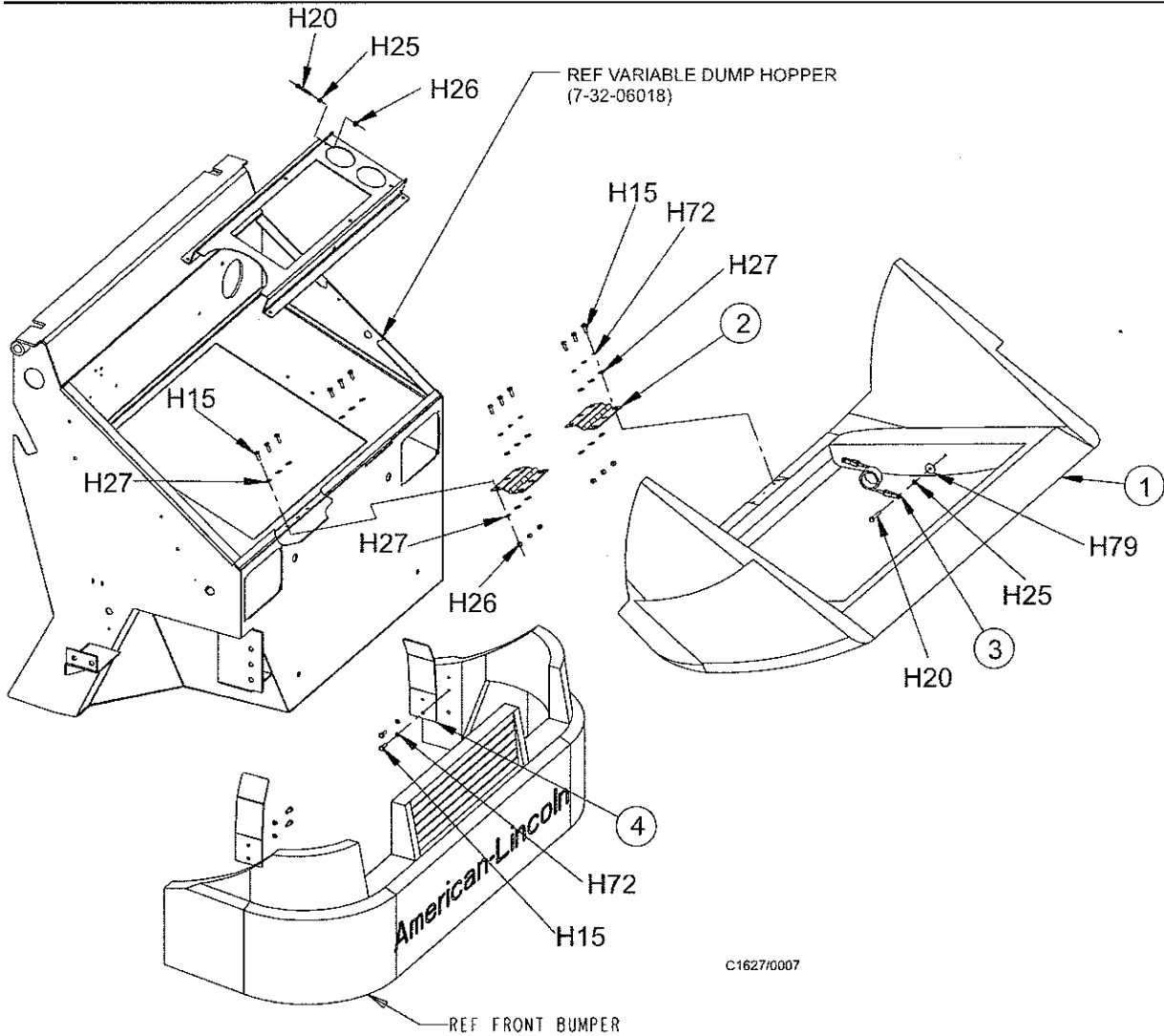
HOPPER (VARIABLE DUMP) cont. - EXPLODED VIEW



C1671b/0402



HOPPER LID/COVER (VARIABLE DUMP)



C1627/0007

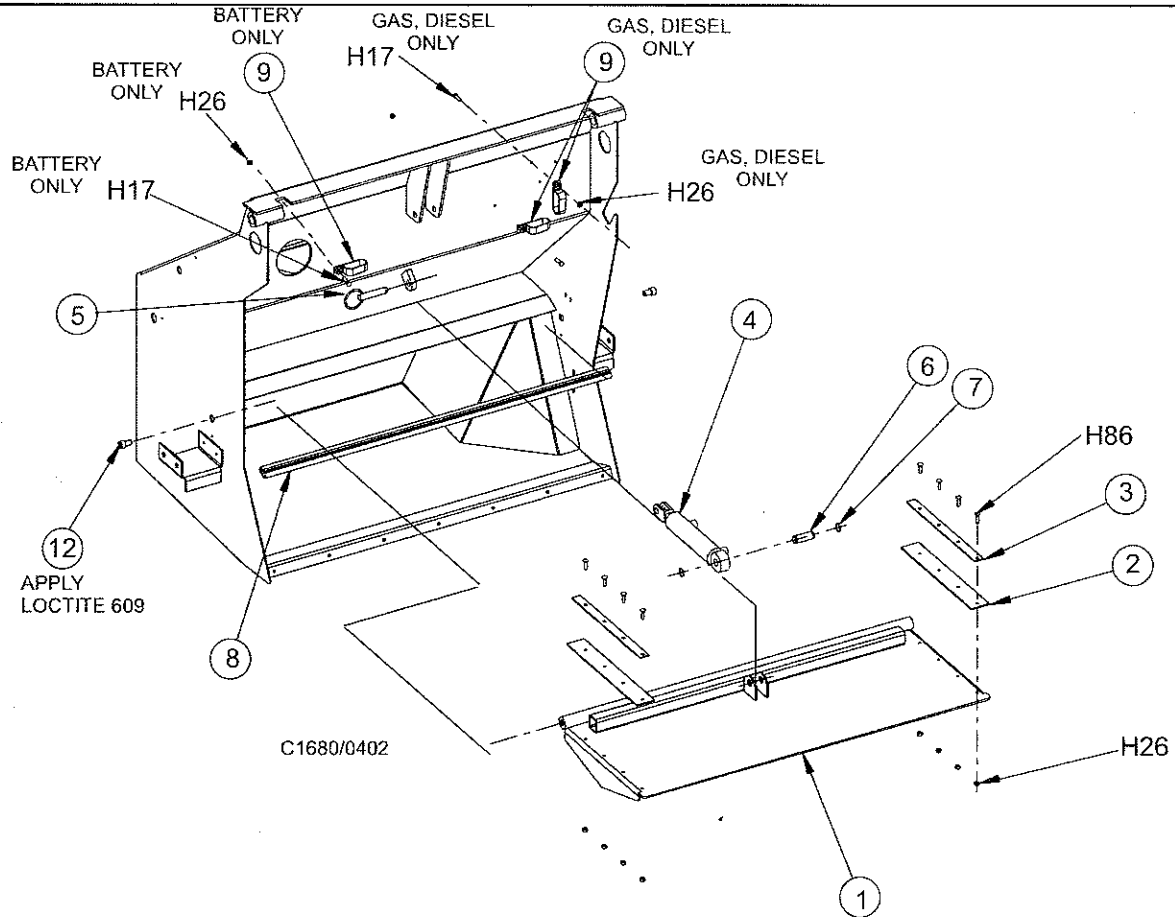
| <u>KEY NO.</u> | <u>PART NUMBER</u> | <u>DESCRIPTION</u> | <u>QTY.</u> |
|----------------|--------------------|-----------------------|-------------|
| 1 | 7-16-07411 | Hopper Cover | 1 |
| 2 | 7-32-00039 | Hinge (Variable Dump) | 2 |
| 3 | 8-10-00027 | Cable | 1 |
| 4 | 7-41-00035 | Latch Hopper Cover | 2 |

HARDWARE USED:

| | | | |
|-----|------------|----------------------------------|----|
| H15 | 2-00-00221 | Screw, 1/4-20 x .750 HHC | 16 |
| H20 | 2-00-00203 | Screw, 1/4-20 x 1.500 HHC | 2 |
| H25 | 2-00-00594 | Nut, Hex 1/4-20 x .437 x .218 | 2 |
| H26 | 2-00-00641 | Nut, 1/4-20 Insert Fiber | 7 |
| H27 | 2-00-03702 | Washer, .625 x .218 x .063 | 18 |
| H72 | 2-00-00518 | Lock Washer, Helical Spring | 10 |
| H79 | 2-00-01676 | Flat Washer, 1.062 x .265 x .062 | 1 |

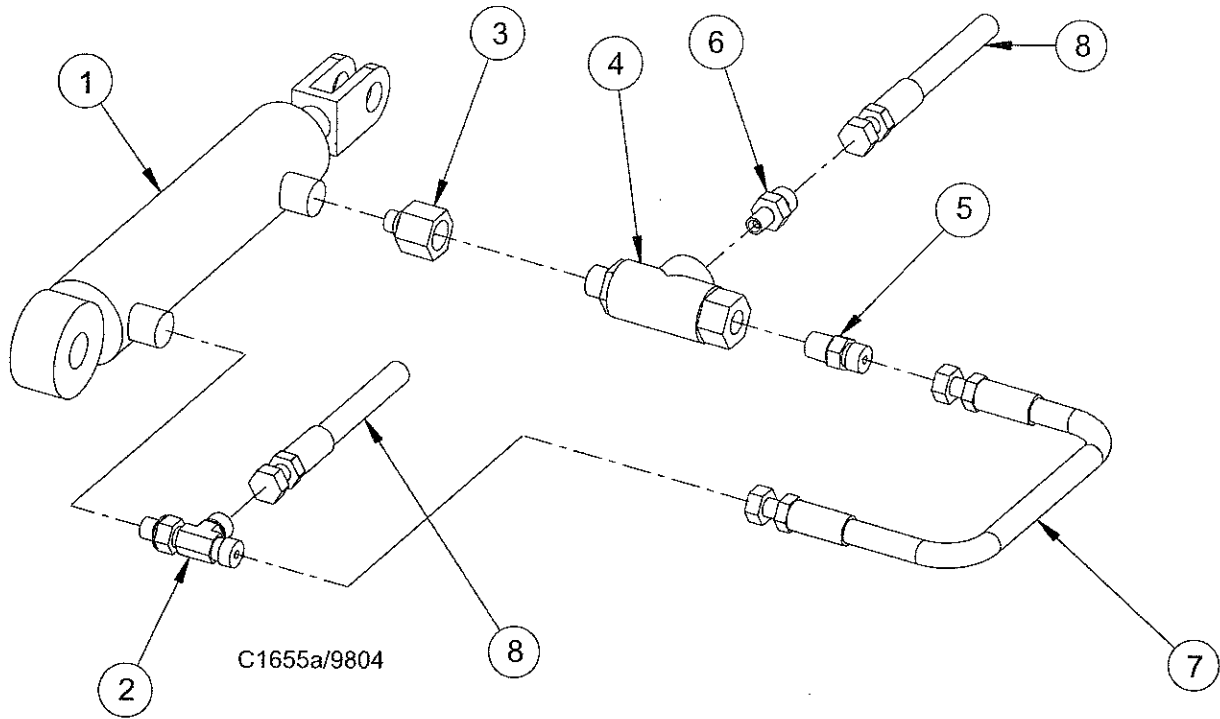
C1627/0302

HOPPER DUMP DOOR



| KEY NO. | PART NUMBER | DESCRIPTION | QTY. |
|---------------------------------------|-------------|------------------------------|------|
| 1 | 7-19-08056 | Door - Hopper (Welded) | 1 |
| 2 | 8-68-05087 | Seal - Dump Door | 2 |
| 3 | 8-13-07140 | Clamp - Door Seal | 2 |
| 4 | 7-17-05011 | Cylinder | Ref. |
| 5 | 7-55-08121 | Pin - Door Cyl | 1 |
| 6 | 8-55-08123 | Pin - 3/7 Dia. | 1 |
| 7 | 2-00-00540 | Retaining Ring - 3/4 Dia. | 2 |
| 8 | 7-29-00237 | Gasket - Dump Door | 1 |
| 9 | 2-00-04603 | Clamp | * |
| 10 | | | |
| 11 | | | |
| 12 | 7-23-03116 | Screw, Special | 2 |
| HARDWARE USED: | | | |
| H17 | 2-00-00205 | Screw, 1/4-20 x 1.000 HHC | 3 |
| H26 | 2-00-00641 | Nut, 1/4-20 Insert Fiber | 10 |
| H86 | 2-00-03575 | Carriage Bolt, 1/4-20 x .750 | 8 |
| * Gas, Diesel Qty. 2 Battery Qty 1 | | | |
| C1680/0302 | | | |

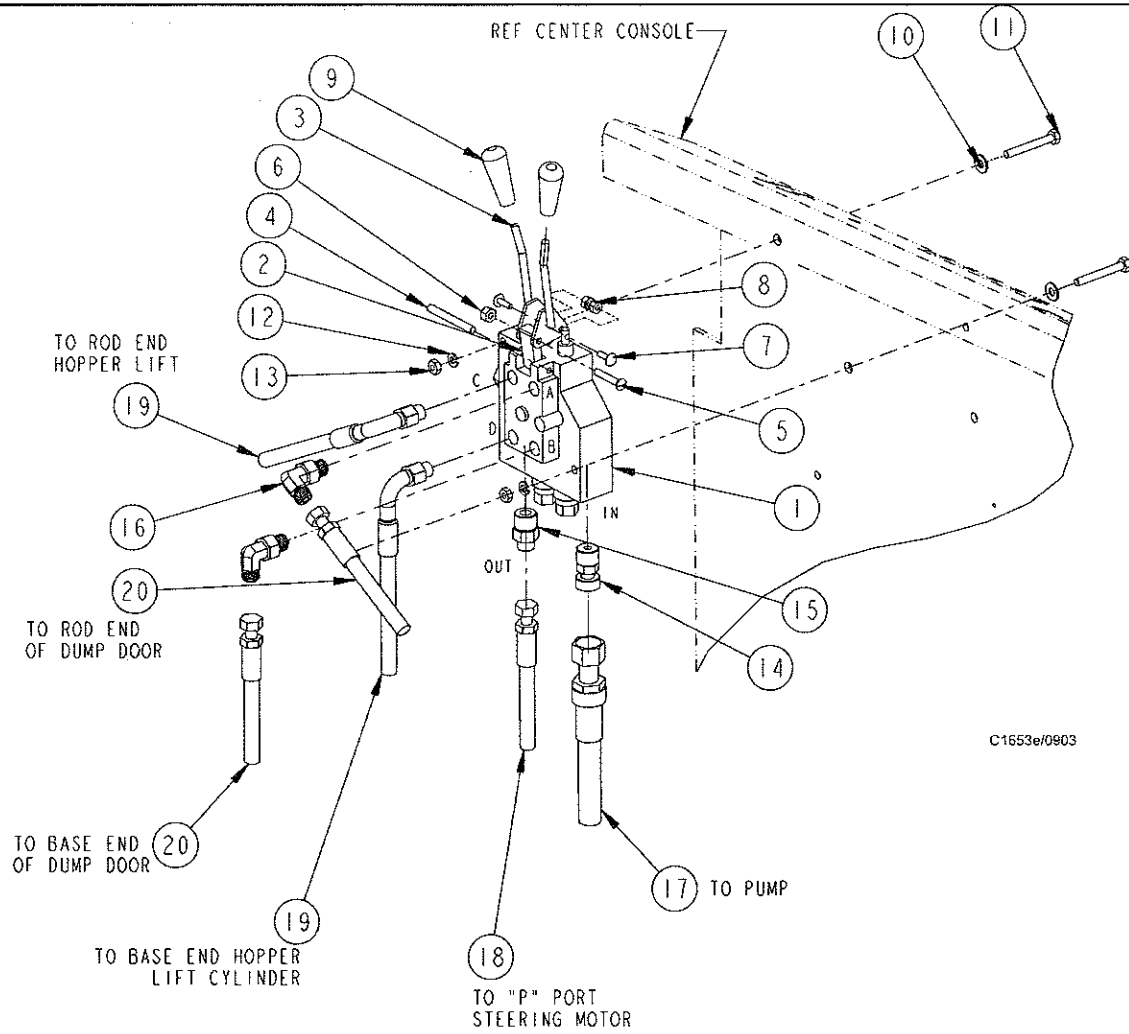
HOPPER DUMP DOOR CYLINDER-BATTERY



| <u>KEY NO.</u> | <u>PART NUMBER</u> | <u>DESCRIPTION</u> | <u>QTY.</u> |
|----------------|--------------------|--|-------------|
| 1 | 7-17-05011 | Cylinder-Lift | 1 |
| 2 | 2-00-04927 | Fitting, 9/16 - 20 X 9/16 - 18 Tee | 1 |
| 3 | 2-00-04994 | Fitting, Male Connector | 1 |
| 4 | 8-88-00045 | Pilot Check | 1 |
| 5 | 2-00-04997 | Fitting, ORS NPT Adapter (#4 - 1/4) | 1 |
| 6 | 2-00-05054 | Fitting, 9/16 - 18 to 3/8 - 18 Adapter | 1 |
| 7 | 8-33-02178 | Hose, #4 ORS STR Ends, 15.0" | Ref |
| 8 | 8-33-02278 | Hose, #4 ORS STR Ends, 130.0" | Ref |

C1655a/9804

HOPPER CONTROL VALVE - BATTERY (VARIABLE DUMP)



C1653e/0903

| KEY NO. | PART NUMBER | DESCRIPTION | QTY. |
|---------|-------------|---------------------------------------|------|
| 1 | 8-88-00053 | Control Valve Assy. | 1 |
| 2 | 7-42-05127 | Link, Valve Lever Pivot | 1 |
| 3 | 7-41-05105 | Lever (for valve 8-88-00053) | 2 |
| 4 | 2-00-00868 | Roll Pin (1/4 Dia. X 7/8 Lg.) | 1 |
| 5 | 2-00-00074 | Screw, #12-24. RH Philips, 1.25 LG | 1 |
| 6 | 2-00-00637 | Hex Nut, #12-24 Fiber Insert | 1 |
| 7 | 2-00-03062 | Screw, #10-24 x .625 THM | 2 |
| 8 | 2-00-01246 | Nut, Hex Fiber Insert #10-24 | 3 |
| 9 | 7-31-06059 | Handle | 2 |
| 10 | 2-00-03702 | Washer, .625 x .281 x .063 | 2 |
| 11 | 2-00-02589 | Screw, 1/4-20 x 2.000 HHC | 2 |
| 12 | 2-00-00518 | Lock Washer, Helical Spring | 2 |
| 13 | 2-00-00594 | Nut, Hex 1/4-20 x .437 x .218 | 2 |
| 14 | 2-00-04970 | Fitting-Connector #8 ORS - #8 SAE STR | 1 |
| 15 | 2-00-05264 | Fitting-Connector #8SAE - #4ORS | 1 |
| 16 | 2-00-04926 | Fitting, 9/16-18 x 9/16-18 Elbow | 2 |
| 17 | 7-33-02347 | #8 Hose STR - 90°, 49.0" | 1 |
| 18 | 8-33-02183 | #4 Hose STR 49.0" | 1 |
| 19 | 7-33-02352 | #4 Hose STR - 90° Swivel 71.0" | 2 |
| 20 | 8-33-02278 | #4 Hose STR 130.0" | 2 |

C1653e/0903

SCRUB DECK (46") - BATTERY - PARTS LIST

| KEY NO. | PART NUMBER | DESCRIPTION | QTY. |
|---------|--------------|-------------------------------|------|
| 1 | 7-27-07186 | Brush Frame (46 In.) | 1 |
| 2 | 0785-089 | Reducer Assy (36 VDC) 25 to 1 | 3 |
| 3 | 7-33-09042 | Hub-Brush Drive | 3 |
| 4 | 7-03-04123 | Arm-Brush Drive (Weldment) | 3 |
| 5 | 7-41-00027 | Latch-Brush Driver | 3 |
| 6 | 7-48-00034 | Manifold-Sol Feed (Welded) | 1 |
| 7 | 8-35-00021 | Isolator | 2 |
| 8 | 2-00-04873 | Cable Clamp | 2 |
| 9 | 7-33-02361 | Hose-Water Scrub Deck | 2 |
| 10 | 7-33-02383 | Hose-Solution Feed | 1 |
| 11 | 2-00-02220 | Hose Clamp | 1 |
| 12 | 2-00-03761 | Key- 1/4 Sq. X 1.75 Steel | 3 |
| 13 | 0782-144 | Brush Motor | 3 |
| 14 | 7-90-07400-1 | Wire - Interconnecting | 6 |
| 15 | 2-00-04203 | Terminal Boot | 6 |

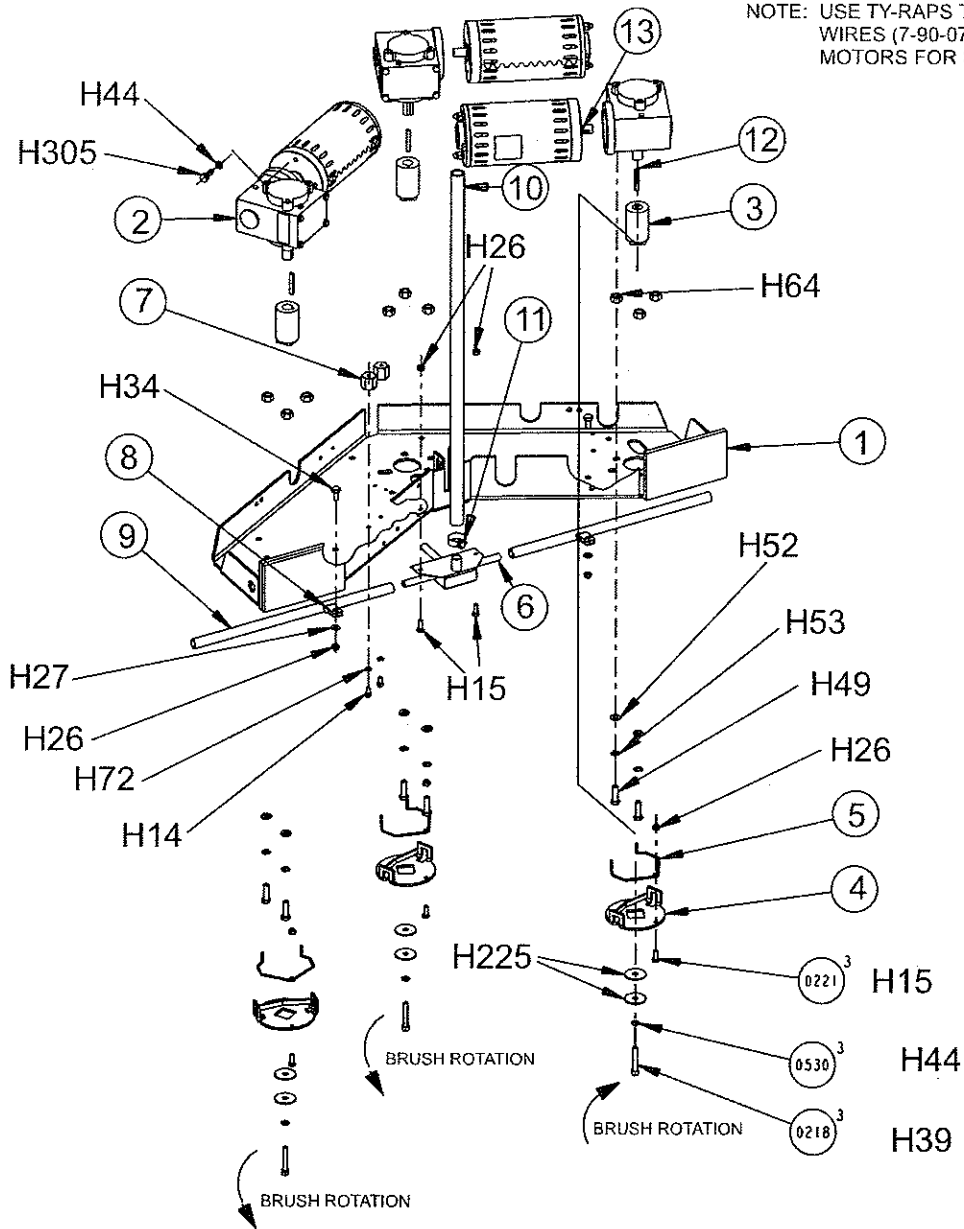
HARDWARE USED:

| | | | |
|------|------------|-------------------------------------|---|
| H14 | 2-00-00219 | Screw, 1/4-20 x .500 HHC | 2 |
| H15 | 2-00-00221 | Screw, 1/4-20 x .500 HHC | 5 |
| H26 | 2-00-00641 | Nut, 1/4-20 Insert Fiber | 7 |
| H27 | 2-00-03702 | Washer, .625 x .281 x .063 | 2 |
| H34 | 2-00-00208 | Screw, 5/16-18 x .750 HHC | 2 |
| H39 | 2-00-00218 | Screw, 5/16-18 x 2.000 HHC | 3 |
| H44 | 2-00-00530 | Lock Washer, 5/16 HS Med | 9 |
| H49 | 2-00-00209 | Screw, 3/8-16 x 1.250 HHC | 9 |
| H52 | 2-00-00402 | Flat Washer, .750 x .390 x .094 | 9 |
| H53 | 2-00-02310 | Lock Washer, Helical Spring 3/8 Med | 9 |
| H64 | 2-00-00596 | Nut, Hex. 1/2-13 x .750 x .437 | 9 |
| H72 | 2-00-00518 | Lock Washer, Helical Spring | 2 |
| H225 | 2-00-04851 | Washer, Engine Mount | 6 |
| H305 | 2-00-00809 | Screw, HSHC .31-18 x 1.000 | 6 |

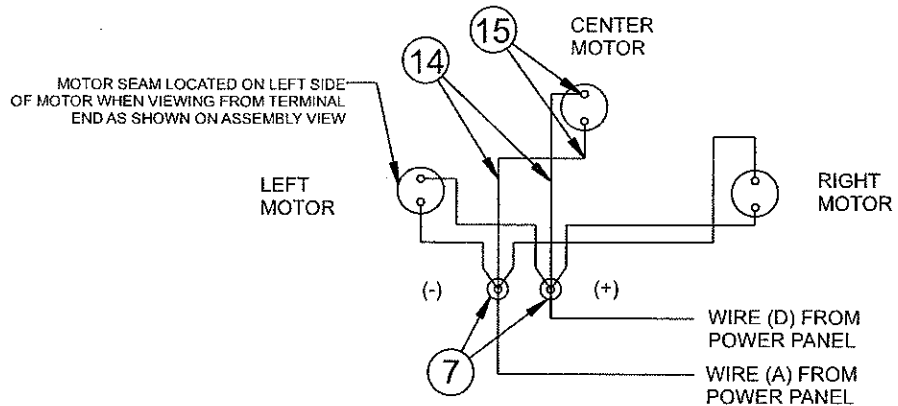
C1629a/0007

SCRUB DECK (46") - BATTERY - EXPLODED VIEW

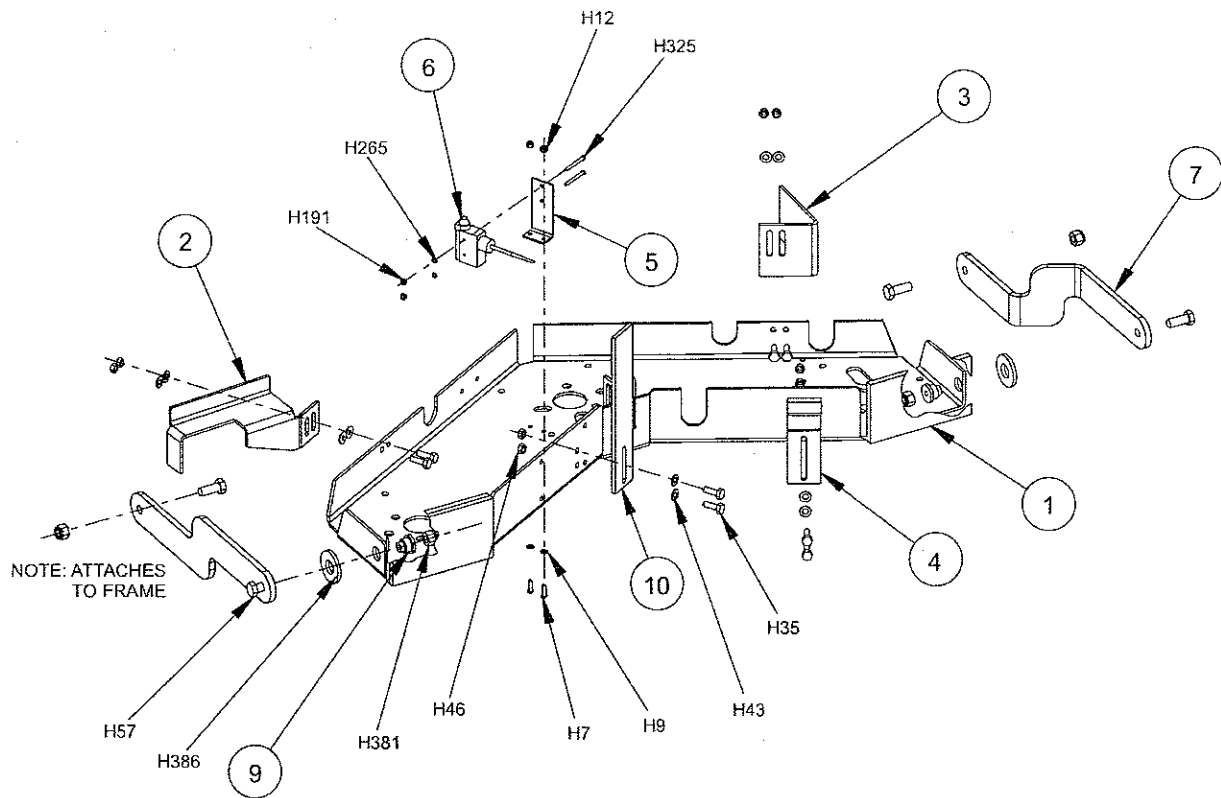
NOTE: USE TY-RAPS TO SECURE WIRES (7-90-07400) TO MOTORS FOR STRAIN RELIEF



C1629A/0007



SCRUB DECK (46") - BATTERY cont.



| KEY NO. | PART NUMBER | DESCRIPTION | QTY. |
|---------|-------------|-------------------------------|------|
| 1 | 7-27-07186 | Brush-Frame (46 In.) | 1 |
| 2 | 7-03-00055 | Arm-Side Squeegee Lift (L.H.) | 1 |
| 3 | 7-03-00053 | Arm-Side Squeegee Lift (R.H.) | 1 |
| 4 | 7-78-05026 | Stop-Scrub Frame (R.H.) | 1 |
| 5 | 7-08-00901 | Bracket-Scrub Switch | 1 |
| 6 | 8-82-00058 | Switch | 1 |
| 7 | 7-42-05143 | Link-R.H. Brush Frame | 1 |
| 8 | 7-42-05174 | Link-L.H. Brush Frame | 1 |
| 9 | 7-09-01143 | Bushing, Brush Lift | 2 |
| 10 | 7-78-05031 | Stop, Scrub Frame (LH) | 1 |

HARDWARE USED:

| | | | |
|------|------------|--------------------------------------|----|
| H7 | 2-00-00056 | Screw, #10-24 x .750 RHM | 2 |
| H9 | 2-00-00426 | Flat Washer, .500 x .219 x .063 | 2 |
| H12 | 2-00-01246 | Nut, Hex Fiber Insert #10-24 | 2 |
| H35 | 2-00-02708 | Screw, 5/16-18 x 1.000 HHM | 8 |
| H43 | 2-00-00409 | Flat Washer, 687 x .344 x .062 | 10 |
| H46 | 2-00-00644 | Nut, 5/16-18, Insert Fiber | 8 |
| H57 | 2-00-00240 | Screw, 1/2-13 x 1.250 HHC | 4 |
| H65 | 2-00-04936 | Nut, 1/2-13 Fiber Lock | 4 |
| H191 | 2-00-00602 | Nut, MSCR-hex, 8-32 | 2 |
| H265 | 2-00-00506 | Lock Washer, Int. Tooth #8 Dia Screw | 2 |
| H325 | 2-00-00092 | Screw, Ph.RHM #8-32 x 1.75 Zn. | 2 |
| H386 | 2-00-05460 | Washer, Flat, 2" OD x .886 ID | 2 |

C1629d/0402

SCRUB DECK & SQUEEGEE (53") BATTERY - PARTS LIST

| <u>KEY NO.</u> | <u>PART NUMBER</u> | <u>DESCRIPTION</u> | <u>QTY.</u> |
|----------------|--------------------|--------------------------|-------------|
| 1 | 7-86-08049 | Squeegee - Weldment | 1 |
| 2 | 7-77-00115 | Rubber - Squeegee Inner | 1 |
| 3 | 7-75-01165 | Spacer - Squeegee | 2 |
| 4 | 7-20-06009 | Duct - Squeegee | 1 |
| 5 | 7-75-01164 | Bushing - Spacer | 2 |
| 6 | 2-00-04962 | O-Ring | 2 |
| 7 | 7-39-00026 | Knob - Squeegee | 2 |
| 8 | 7-77-00105 | Rubber - Squeegee, Outer | 1 |
| 9 | 7-79-00098 | Strap - Squeegee Clamp | 1 |
| 10 | 7-13-07188 | Clamp - LH Squeegee End | 1 |
| 11 | 7-13-07187 | Clamp - RH Squeegee End | 1 |
| 12 | 7-13-07156 | Clamp - Nut | 2 |
| 13 | 2-14-00184 | Wheel | 2 |
| 14 | 7-89-08073 | Caster | 2 |
| 15 | 2-95-04689 | Washer - Axle | 2 |
| 16 | 2-00-03842 | Pin - Roll 1/4 x 1.00 | 2 |

HARDWARE USED:

| | | | |
|------|------------|--|---|
| H51 | 2-00-00216 | Screw, 3/8 - 16 x 2.000 HHC | 2 |
| H52 | 2-00-00402 | Flat Washer, .750 x .390 x .94 | 2 |
| H54 | 2-00-02360 | Nut, 3/8 - 16 Hex | 4 |
| H259 | 2-00-05343 | Bolt Carriage .38 - 16 x 3.5 Stainless Steel | 2 |
| H260 | 2-00-00615 | Nut - Hex Fin .63-22 | 2 |
| H261 | 2-00-05344 | Screw - HHM .313 - 18 x 1.75 Stainless Steel | 2 |

C1602/9804

SCRUB DECK & SQUEEGEE (53") - BATTERY cont. - PARTS LIST

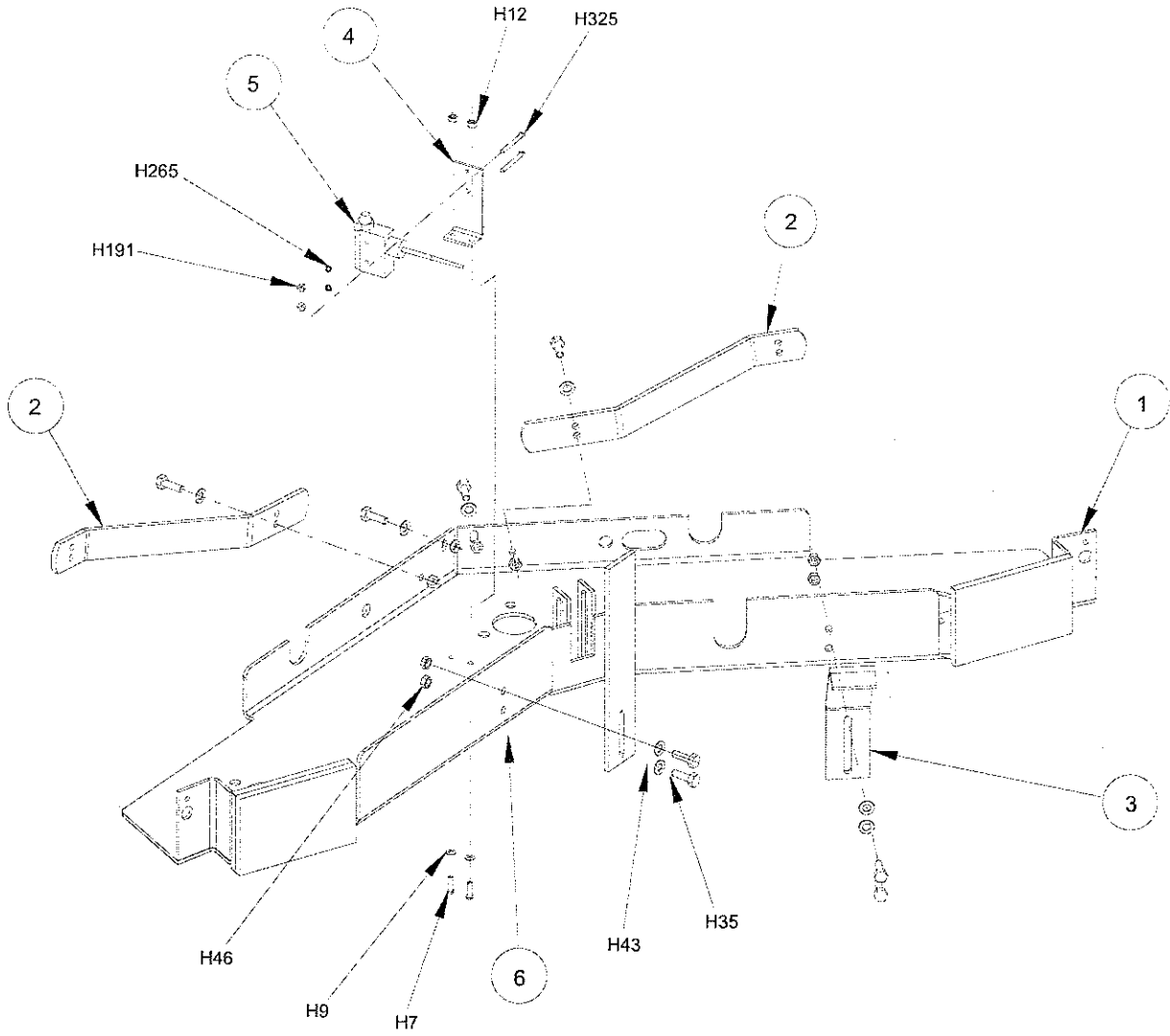
| <u>KEY NO.</u> | <u>PART NUMBER</u> | <u>DESCRIPTION</u> | <u>QTY.</u> |
|----------------|--------------------|------------------------------|-------------|
| 1 | 7-27-07189 | Brush Frame (53 inch) | 1 |
| 2 | 7-42-05132 | Link-Side Squeegee (53 inch) | 2 |
| 3 | 7-78-05026 | Stop-Scrub Frame (R.H.) | 1 |
| 4 | 7-08-00901 | Bracket-Scrub Switch | 1 |
| 5 | 8-82-00058 | Switch | 1 |
| 6 | 7-78-05031 | Stop-Scrub Frame (L.H.) | 1 |

HARDWARE USED:

| | | | |
|------|------------|--------------------------------------|---|
| H7 | 2-00-00056 | Screw, #10-24 x .750 RHM | 2 |
| H9 | 2-00-00426 | Flat Washer, .500 x .219 x .063 | 2 |
| H12 | 2-00-01246 | Nut, Hex Fiber Insert #10-24 | 2 |
| H35 | 2-00-02708 | Screw, 5/16-18 x 1.000 HHM | 6 |
| H43 | 2-00-00409 | Flat Washer, .687 x .344 x .062 | 6 |
| H46 | 2-00-00644 | Nut, 5/16-18 Insert Fiber | 6 |
| H191 | 2-00-00602 | Nut, MSCR-Hex, 8-32 | 2 |
| H265 | 2-00-00506 | Lock Washer, Int. Tooth #8 Dia Screw | 2 |
| H325 | 2-00-00092 | Screw-RHM #8-32 x 1.75 | 2 |

C2123/0302

SCRUB DECK & SQUEEGEE (53") - BATTERY cont. - EXPLODED VIEW



SCRUB DECK & SQUEEGEE (53") - BATTERY cont. - PARTS LIST

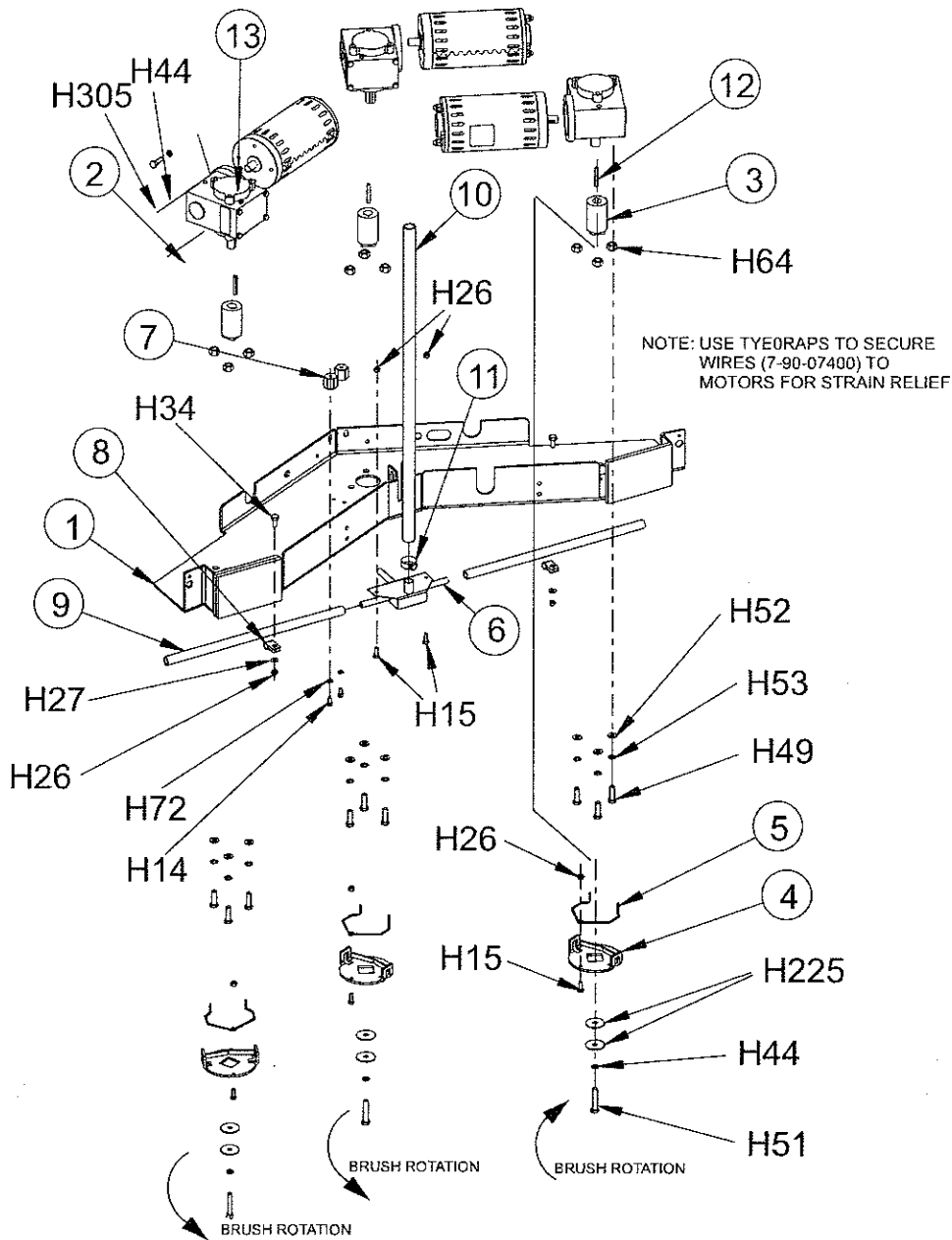
| KEY NO. | PART NUMBER | DESCRIPTION | QTY. |
|---------|--------------|-------------------------------|------|
| 1 | 7-27-07189 | Brush Frame (53 inch) | Ref. |
| 2 | 0785-089 | Reducer Assy (36 VDC) 25 to 1 | 3 |
| 3 | 7-33-09042 | Hub-Brush Drive | 3 |
| 4 | 7-03-04123 | Arm-Brush Drive (Weldment) | 3 |
| 5 | 7-41-00027 | Latch-Brush Driver | 3 |
| 6 | 7-48-00034 | Manifold-Sol Feed (Welded) | 1 |
| 7 | 8-35-00021 | Isolator | 2 |
| 8 | 2-00-04873 | Cable Clamp | 2 |
| 9 | 7-33-02361 | Hose-Water Scrub Deck | 2 |
| 10 | 7-33-02383 | Hose-Solution Feed | 1 |
| 11 | 2-00-02220 | Hose Clamp | 1 |
| 12 | 2-00-03761 | Key-1/4 sq. x 1.75 Steel | 3 |
| 13 | 0782-144 | Brush Motor | 3 |
| 14 | 7-90-07400-1 | Wire Interconnecting | 6 |
| 15 | 2-00-04203 | Terminal Boot | 6 |

HARDWARE USED:

| | | | |
|------|------------|-------------------------------------|---|
| H14 | 2-00-00219 | Screw, 1/4-20 x 500HHC | 2 |
| H15 | 2-00-00221 | Screw, 1/4-20 x .750 HHC | 5 |
| H26 | 2-00-00641 | Nut, 1/4-20 Insert Fiber | 7 |
| H27 | 2-00-03702 | Washer, .625 x .281 x .063 | 2 |
| H34 | 2-00-00208 | Screw, 5/16-18 x .750 HHC | 2 |
| H44 | 2-00-00530 | Lock Washer, 5/16 HS Med | 9 |
| H49 | 2-00-00209 | Screw, 3/8-16 x 1.250 HHC | 9 |
| H51 | 2-00-00216 | Screw, 3/8-16 x 2.000 HHC | 3 |
| H52 | 2-00-00402 | Flat Washer, .750 x .390 x .094 | 9 |
| H53 | 2-00-02310 | Lock Washer, Helical Spring 3/8 Med | 9 |
| H64 | 2-00-00596 | Nut, Hex. 1/2-13 x .750 x .437 | 9 |
| H72 | 2-00-00518 | Lock Washer, Helical Spring | 2 |
| H225 | 2-00-04851 | Washer Engine Mount | 6 |
| H305 | 2-00-00809 | Screw, HSHC .31-18 x 1.000 | 6 |

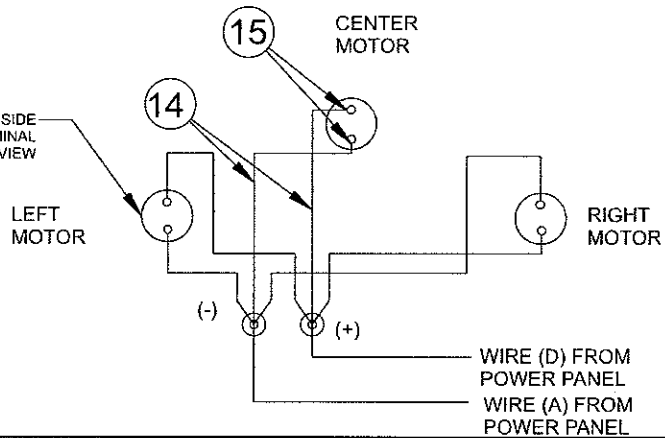
C1784/0007

SCRUB DECK & SQUEEGEE (53") - BATTERY cont. - EXPLODED VIEW

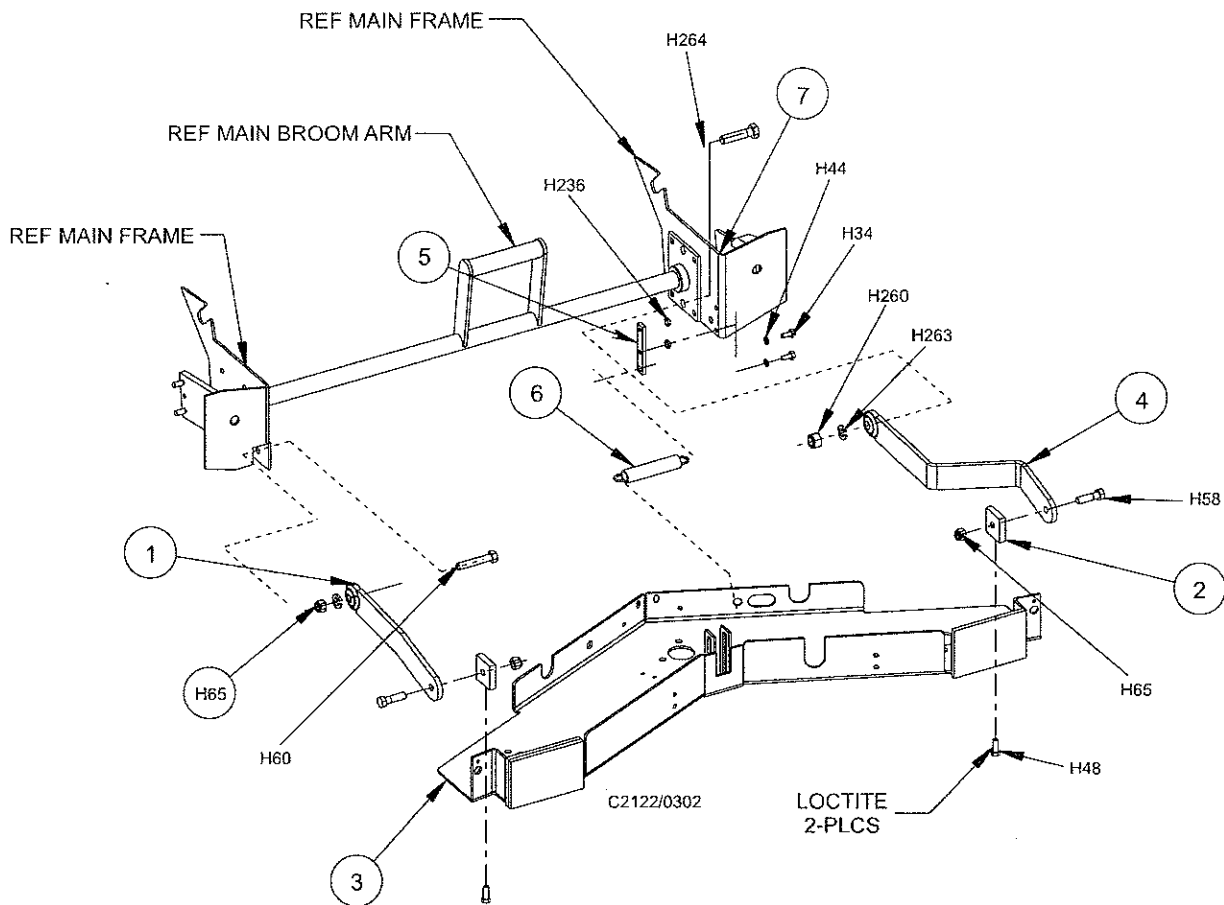


C1784/0007

MOTOR SEAM LOCATED ON LEFT SIDE OF MOTOR WHEN VIEWING TERMINAL END AS SHOWN ON ASSEMBLY VIEW



SCRUB DECK & SQUEEGEE (53") - BATTERY cont.



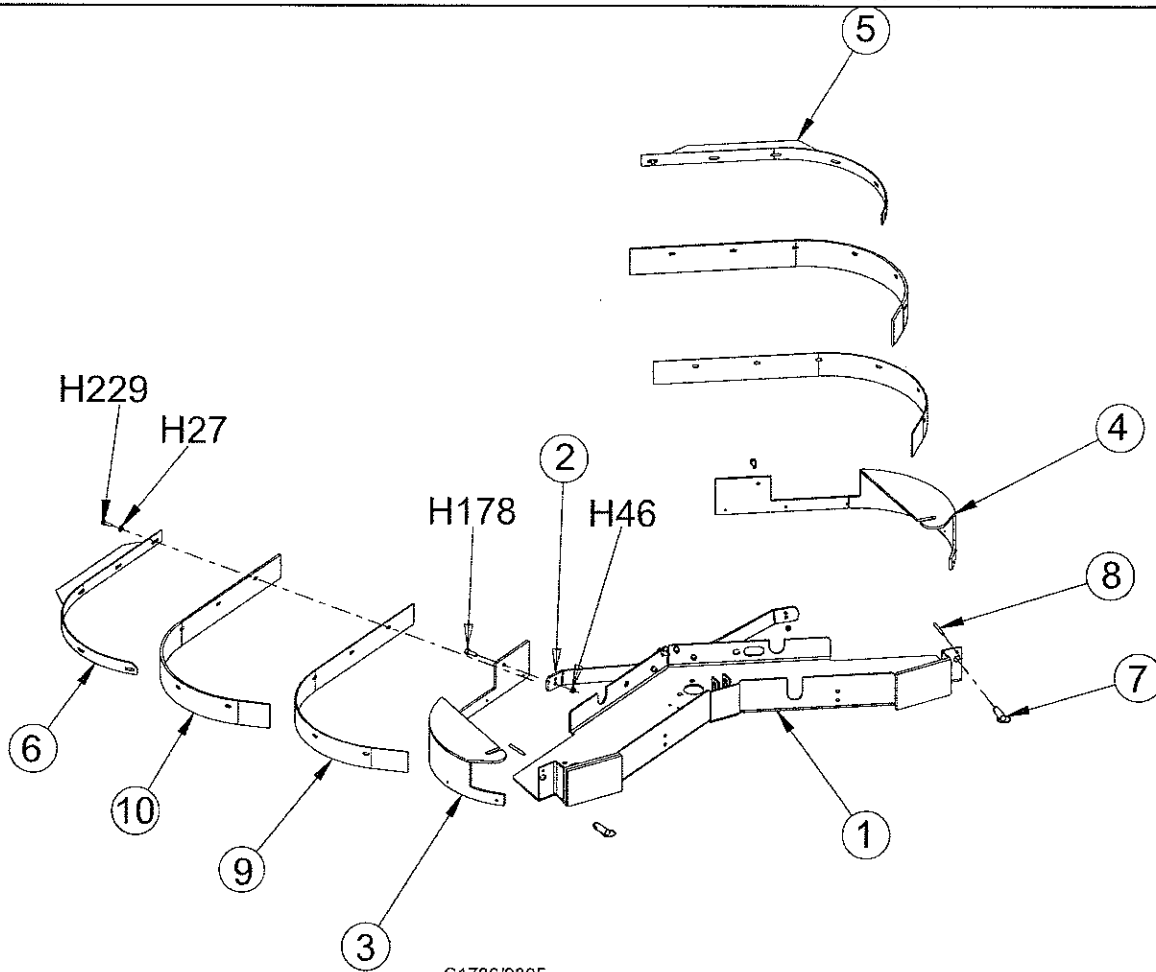
| KEY NO. | PART NUMBER | DESCRIPTION | QTY |
|---------|-------------|---------------------------------|------|
| 1 | 7-42-05147 | Link-Brush Frame, L.H. (53 in) | 1 |
| 2 | 7-57-05039 | Pivot-Brush Drive, Side (53 in) | 2 |
| 3 | 7-27-07189 | Brush Frame (53 in) | Ref. |
| 4 | 7-42-05135 | Link-Brush Frame | 1 |
| 5 | 7-30-08016 | Guide-Brush Frame (53 in) | 1 |
| 6 | 7-76-00114 | Spring | 1 |
| 7 | 7-03-04155 | Main Broom Lift Frame | 1 |

HARDWARE USED:

| | | | |
|------|------------|---------------------------------|---|
| H34 | 2-00-00208 | Screw, 5/16-18 x .750 HHC | 2 |
| H44 | 2-00-00530 | Lock Washer, 5/16 HS Med | 2 |
| H48 | 2-00-00233 | Screw, 3/8-16 x 1.000 HHC | 2 |
| H58 | 2-00-00241 | Screw, 1/2-13 x 1.750 HHC | 2 |
| H60 | 2-00-02682 | Screw, 1/2-13 x 2.750 HHC | 1 |
| H65 | 2-00-04936 | Nut, 1/2-13 Fiber Lock | 3 |
| H236 | 2-00-02369 | Nut, Hex Jam, .38-16 | 2 |
| H260 | 2-00-00615 | Nut, Hex Fin .63-22 | 1 |
| H263 | 2-00-02313 | Lock Washer, Helical Spring .63 | 2 |
| H264 | 2-00-02622 | Screw, 5/16-18 x 1.000 HHM | 1 |

C1785/0202

SCRUB DECK & SQUEEGEE (53") - BATTERY cont.



C1786/9805

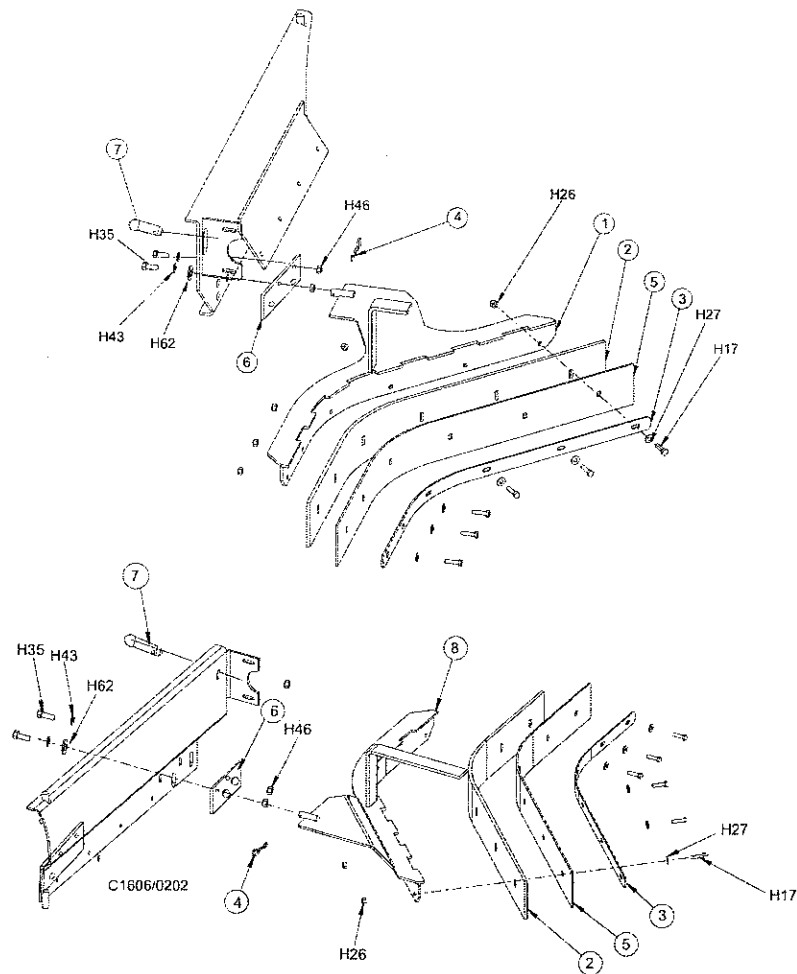
| <u>KEY NO.</u> | <u>PART NUMBER</u> | <u>DESCRIPTION</u> | <u>QTY</u> |
|----------------|--------------------|--|------------|
| 1 | 7-27-07189 | Brush Frame (53 in) | Ref. |
| 2 | 7-42-05132 | Link-Side Squeegee (53 in) | Ref. |
| 3 | 7-86-08042 | Tool-LH Side Squeegee (Weldment) (53 in) | 1 |
| 4 | 7-86-08043 | Tool-RH Side Squeegee (Weldment) | 1 |
| 5 | 7-13-07174 | Clamp-RH Side Squeegee (53 in) | 1 |
| 6 | 7-13-07175 | Clamp-LH Side Squeegee (53 in) | 1 |
| 7 | 7-55-08151 | Pin-Lock Up | 2 |
| 8 | 2-00-00868 | Roll Pin (1/4 Dia x 7/8 Lg) | 2 |
| 9 | 7-77-00113 | Rubber-Side Squeegee (Inner) | 2 |
| 10 | 7-77-00112 | Rubber-Side Squeegee (Outer) | 2 |

HARDWARE USED:

| | | | |
|------|------------|------------------------------|----|
| H27 | 2-00-03702 | Washer, .625 x .281 x .063 | 12 |
| H46 | 2-00-00644 | Nut, 5/16-18 x 1.000 HHM | 2 |
| H178 | 2-00-00206 | Screw, 5/16-18 x 1.000 HHC | 2 |
| H229 | 2-00-01490 | Screw, .25-20 x .875 HHC STL | 12 |

C1786/9805

SIDE SQUEEGEE (46")



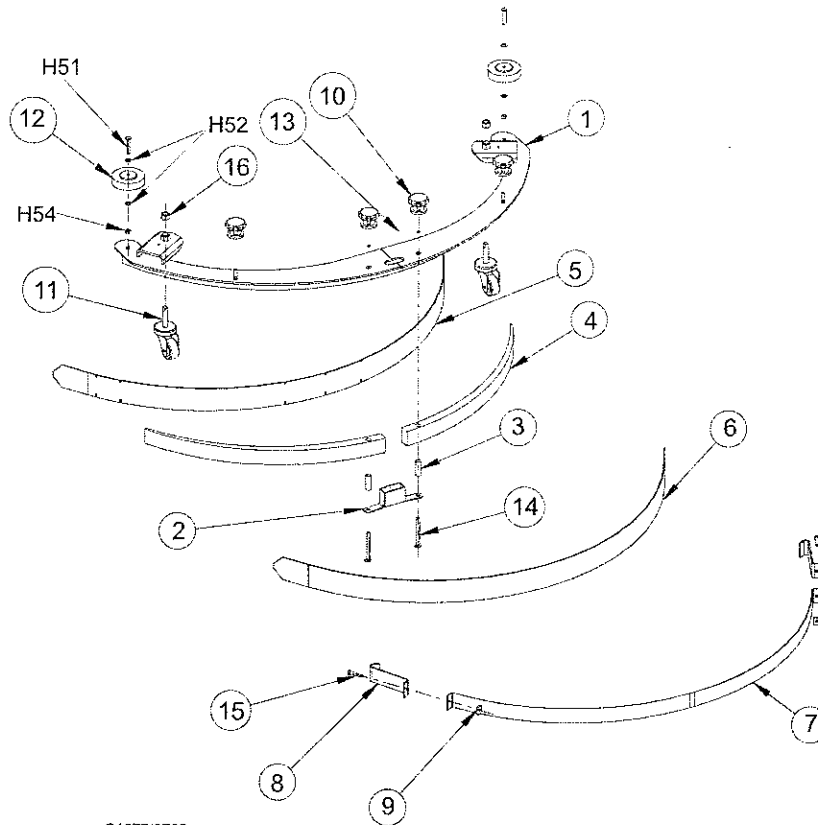
| KEY NO. | PART NUMBER | DESCRIPTION | QTY. |
|---------|-------------|--------------------------|------|
| 1 | 7-86-08035 | Weldment - LH Bracket | 1 |
| 2 | 7-77-00111 | Squeegee - Rubber - Side | 1 |
| 3 | 7-13-07165 | Strap | 1 |
| 4 | 2-00-05320 | Hair Pin | 1 |
| 5 | 7-77-00114 | Rubber Side Squeegee | 1 |
| 6 | 7-57-05042 | Pivot, Side Squeegee | 2 |
| 7 | 7-55-08151 | Lock Up Pin | 1 |
| 8 | 7-86-08036 | Weldment - RH Bracket | 1 |

HARDWARE USED:

| | | | |
|-----|------------|----------------------------------|----|
| H17 | 2-00-00205 | Screw, 1/4-20 x 1.250 HHC | 12 |
| H26 | 2-00-00641 | Nut, 1/4-20 Insert Fiber | 12 |
| H27 | 2-00-03702 | Washer, .625 x .281 x .063 | 12 |
| H35 | 2-00-02708 | Screw, 5/16 - 18 x 1.00 HHM | 4 |
| H43 | 2-00-00409 | Flat Washer, .687 x .344 x .062 | 4 |
| H46 | 2-00-00644 | Nut, 5/16 - 18 Insert Fiber | 4 |
| H62 | 2-00-00405 | Flat Washer, 1.063 x .531 x .094 | 2 |

C1606/0202

REAR SQUEEGEE (46")



C1677/9702

| KEY NO. | PART NUMBER | DESCRIPTION | QTY. |
|----------------|--------------------|------------------------------------|-------------|
| 1 | 7-86-08038 | Squeegee - Weldment | 1 |
| 2 | 7-20-06010 | Duct - Squeegee Inlet | 1 |
| 3 | 7-75-01164 | Spacer - Bushing | 2 |
| 4 | 7-75-01169 | Spacer - Squeegee | 2 |
| 5 | 7-77-00110 | Squeegee - Rubber - Inner | 1 |
| 6 | 7-77-00109 | Squeegee - Rubber - Outer | 1 |
| 7 | 7-79-00088 | Strap - Squeegee Clamp | 1 |
| 8 | 7-13-07157 | Clamp - End Squeegee | 2 |
| 9 | 7-13-07156 | Clamp - Nut | 2 |
| 10 | 7-39-00026 | Knob - Squeegee | 4 |
| 11 | 7-89-08073 | Wheel - Caster | 2 |
| 12 | 2-14-00184 | Wheel | 2 |
| 13 | 2-00-04962 | O-Ring | 2 |
| 14 | 2-00-05343 | Carriage Bolt, 3/8-16 x 3.000 STL. | 2 |
| 15 | 2-00-05344 | Hex Tap Bolt, 5/16-18 x 1.750 SS | 2 |
| 16 | 2-00-00615 | Nut, Hex Finish .625-11 | 2 |

HARDWARE USED:

| | | | |
|-----|------------|---------------------------------|---|
| H51 | 2-00-00216 | Screw, 3/8-16 x 2.000 HHC | 2 |
| H52 | 2-00-00402 | Flat Washer, .750 x .390 x .094 | 4 |
| H54 | 2-00-02360 | Nut, Hex. 3/4-16 STL. | 2 |

C1677/9802

SQUEEGEE LIFT - BATTERY - PARTS LIST

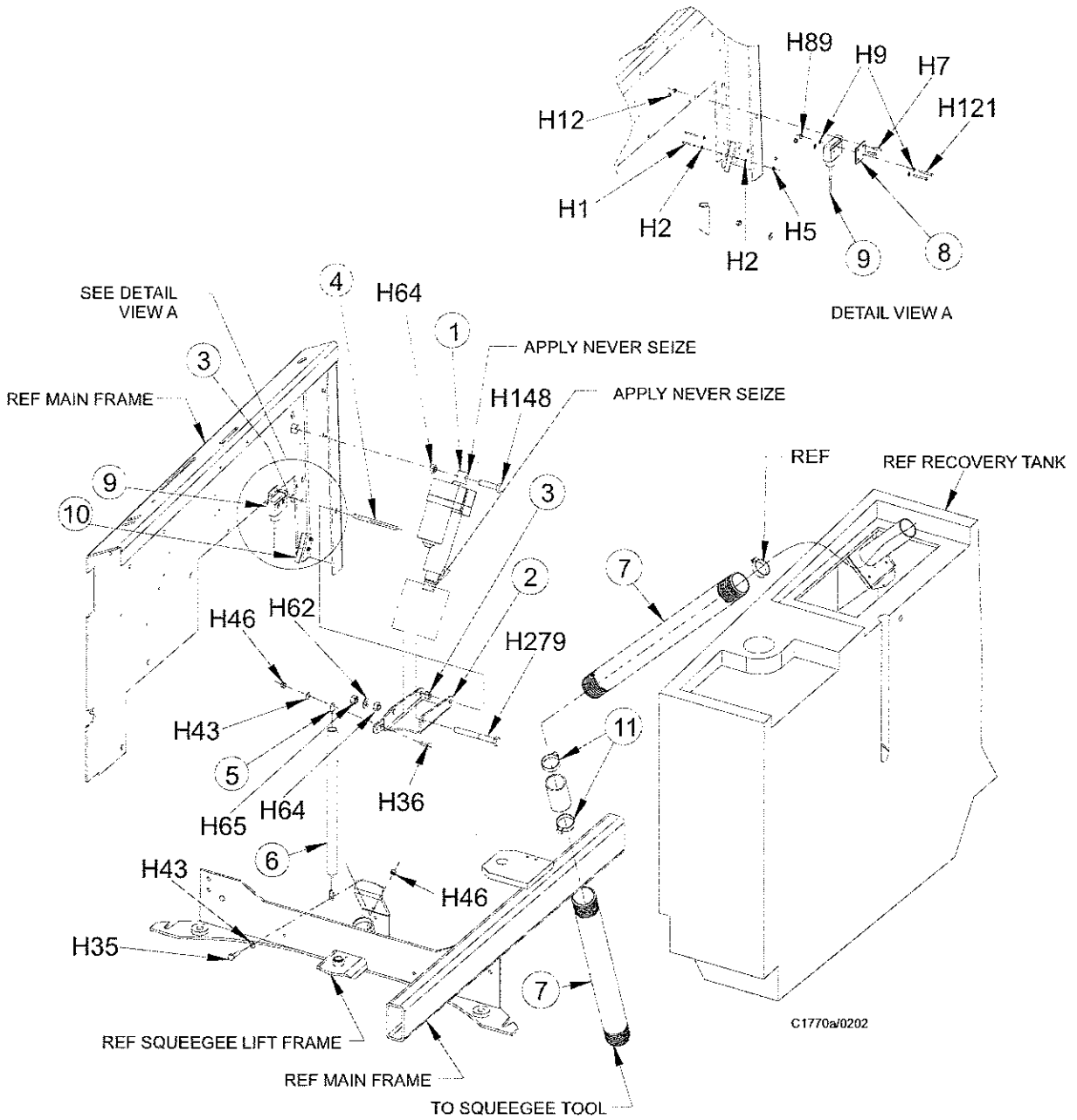
| KEY NO. | PART NUMBER | DESCRIPTION | QTY. |
|---------|-------------|------------------------------|------|
| 1 | 0782-106 | Actuator-Squeegee Lift (36V) | 1 |
| 2 | 7-41-05110 | Lever-Squeegee Lift | 1 |
| 3 | 7-15-01022 | Collar-Setscrew | 2 |
| 4 | 7-66-00179 | Rod | 1 |
| 5 | 7-13-05073 | Link-Squeegee Lift Cable | 1 |
| 6 | 7-34-09018 | Sleeve-Insulating | 1 |
| 7 | 7-33-02386 | Hose-Vacuum | 2 |
| 8 | 7-58-05284 | Plate-Switch MTG. | 1 |
| 9 | 8-82-00058 | Switch | 1 |
| 10 | 7-82-00008 | Switch | 1 |
| 11 | 2-00-02216 | Hose Clamp | 2 |

HARDWARE USED:

| | | | |
|------|------------|----------------------------------|---|
| H1 | 2-00-05060 | Screw, #6-32 x 1.250 RHM | 2 |
| H2 | 2-00-00455 | Flat Washer, .375 x .156 x .047 | 4 |
| H5 | 2-00-00645 | Nut, Hex Fiber Insert #6-32 | 2 |
| H7 | 2-00-00056 | Screw #10-24 x .750 RHM | 2 |
| H9 | 2-00-00426 | Flat Washer, .500 x .219 x .063 | 4 |
| H12 | 2-00-01246 | Nut, Hex Fiber Insert #10-24 | 2 |
| H35 | 2-00-02708 | Screw, 5/16-18 x 1.000 HHM | 1 |
| H36 | 2-00-00196 | Carriage Bolt, 5/16-18 x 1.000 | 1 |
| H43 | 2-00-00409 | Flat Washer, .687 x .344 x .062 | 2 |
| H46 | 2-00-00644 | Nut, 5/16-18, Insert Fiber | 2 |
| H62 | 2-00-00405 | Flat Washer, 1.063 x .531 x .094 | 1 |
| H64 | 2-00-00596 | Nut, Hex 1/2-13 x .750 x .437 | 2 |
| H65 | 2-00-04936 | Nut, 1/2-13 Fiber Lock | 1 |
| H89 | 2-00-01372 | Nut, Fiber Insert | 2 |
| H121 | 2-00-00090 | Screw, #8-32 x 1.500 RHM | 2 |
| H148 | 2-00-01778 | Screw, 1/2-13 x 2.000 HHC | 1 |
| H279 | 2-00-04914 | Screw-HHC .50-13 x 4.50 | 1 |

C1770a/0202

SQUEEGEE LIFT - BATTERY - EXPLODED VIEW



SWING SQUEEGEE SUPPORT - PARTS LIST

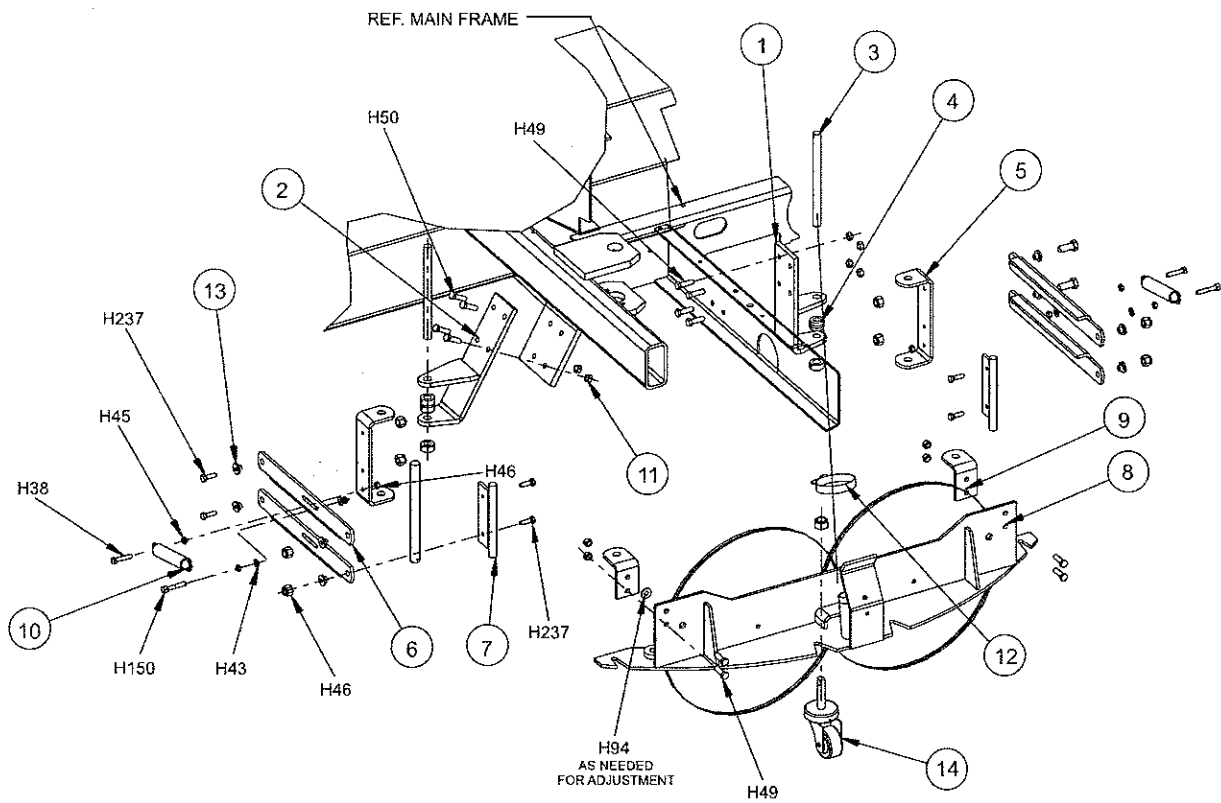
| KEY NO. | PART NUMBER | DESCRIPTION | QTY. |
|---------|--------------|--------------------------------|------|
| 1 | 7-08-00853 | Weldment, Bracket, RH Assembly | 1 |
| 2 | 7-08-00852 | Weldment, Bracket, LH Assembly | 1 |
| 3 | 7-70-05174 | Shaft | 2 |
| 4 | 8-15-01002 | Collar, Setscrew | 6 |
| 5 | 7-81-00185 | Support, Squeegee | 2 |
| 6 | 7-03-04156-1 | Arm, Squeegee | 4 |
| 7 | 7-55-08144 | Weldment, Rear Pin Assembly | 2 |
| 8 | 7-86-08068 | Squeegee Support (Weldment) | 1 |
| 9 | 7-08-00839 | Bracket, Angle | 2 |
| 10 | 7-76-00114 | Spring | 2 |
| 11 | 2-95-04182 | Nut, 3/8-16 Elastic Stop | 12 |
| 12 | 7-13-07104 | Clamp, Hose | 1 |
| 13 | 7-09-01057 | Bushing, Brush Lift | 8 |
| 14 | 7-89-08073 | Caster | 1 |

HARDWARE USED:

| | | | |
|------|------------|---------------------------------|---|
| H38 | 2-00-00225 | Screw, 5/16-18 x 1.500 HHC | 2 |
| H43 | 2-00-00409 | Flat Washer, .687 x .344 x .062 | 4 |
| H45 | 2-00-00585 | Hex Nut, 5/16-18 x .500 x .265 | 4 |
| H46 | 2-00-00644 | Nut, 5/16-18, Insert Fiber | 8 |
| H49 | 2-00-00209 | Screw, 3/8-16 x 1.250 HHC | 8 |
| H50 | 2-00-00234 | Screw, 3/8-16 x 1.500 HHC | 4 |
| H94 | 2-00-00410 | Flat Washer, .875 x .375 x .060 | 1 |
| H150 | 2-00-00211 | Screw, 5/16-18 x 1.750 HHC | 2 |
| H237 | 2-00-05356 | Screw, 5/16-18 x 1.25 Grade 8 | 8 |

C1669/0202

SWING SQUEEGEE SUPPORT - EXPLODED VIEW

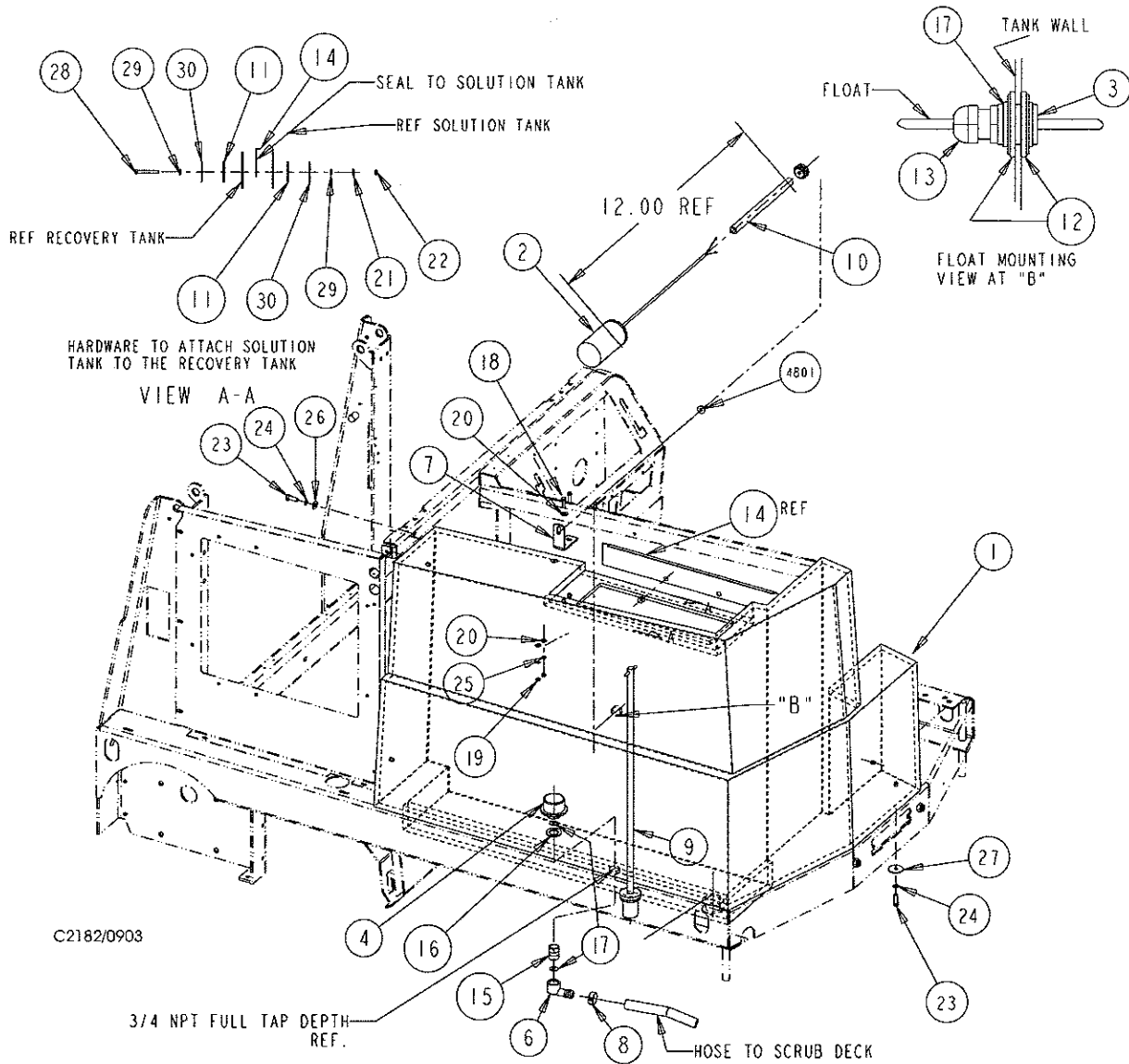


SOLUTION TANK - PARTS LIST

| <u>KEY NO.</u> | <u>PART NUMBER</u> | <u>DESCRIPTION</u> | <u>QTY.</u> |
|----------------|------------------------|--------------------------------------|-------------|
| 1 | 7-83-04206 | Solution Tank | 1 |
| 2 | 0775-217 | Solution Float (Yellow) | 1 |
| 3 | 7-09-01124 | Bulk Head Fitting | 1 |
| 4 | 7-24-04034 | Strainer | 1 |
| 5 | 2-95-03047 | Washer | 1 |
| 6 | 2-00-05132 | 90° Barb Fitting | 1 |
| 7 | 7-57-05037 | Bracket | 1 |
| 8 | 2-00-02220 | Hose Clamp | 1 |
| 9 | 7-25-02095 | Drain Plug | 1 |
| 10 | 7-87-02188 | Tube - Float Switch | 1 |
| 11 | 2-00-05028 | Gasket | 2 |
| 12 | 7-29-00225 | Gasket | 2 |
| 13 | 7-09-01122 | Bushing | 1 |
| 14 | 7-30-05099 | Guard - Solution Tank | 1 |
| 15 | 2-95-02518 | Pipe Nipple, Close 3/4 NPT | 1 |
| 16 | 7-29-00225 | Gasket | 1 |
| 17 | 2-95-03047 | Washer | 3 |
| 18 | 2-00-00222 | Screw, 1/4-20 x 1.25 HHM | 2 |
| 19 | 2-00-00594 | Nut, Hex 1/4-20 x .437 x .218 | 2 |
| 20 | 2-00-03702 | Washer, .625 x .281 x .063 | 4 |
| 21 | 2-00-04687 | Lock Washer, Helical Spring ¼ Med. | 1 |
| 22 | 2-00-04688 | Nut, 1/4-20 Hex. | 1 |
| 23 | 2-00-00232 | Screw, .375-16 x .75 HHC | 2 |
| 24 | 2-00-02310 | Lock Washer, Helical Spring 3/8 Med. | 2 |
| 25 | 2-00-00518 | Lock Washer, Helical Spring | 2 |
| 26 | 2-00-00402 (if needed) | Flat Washer, .750 x .391 x .093 | 1 |
| 27 | 2-00-04851 | Washer, Engine Mount | 1 |
| 28 | 2-00-05122 | Screw-HHC, .25-20 x 2.00 | 1 |
| 29 | 2-00-04590 | Washer | 2 |
| 30 | 2-00-05236 | Flat Washer, 2.00 x .281 x .063 | 2 |

C2182/0903

SOLUTION TANK - EXPLODED VIEW



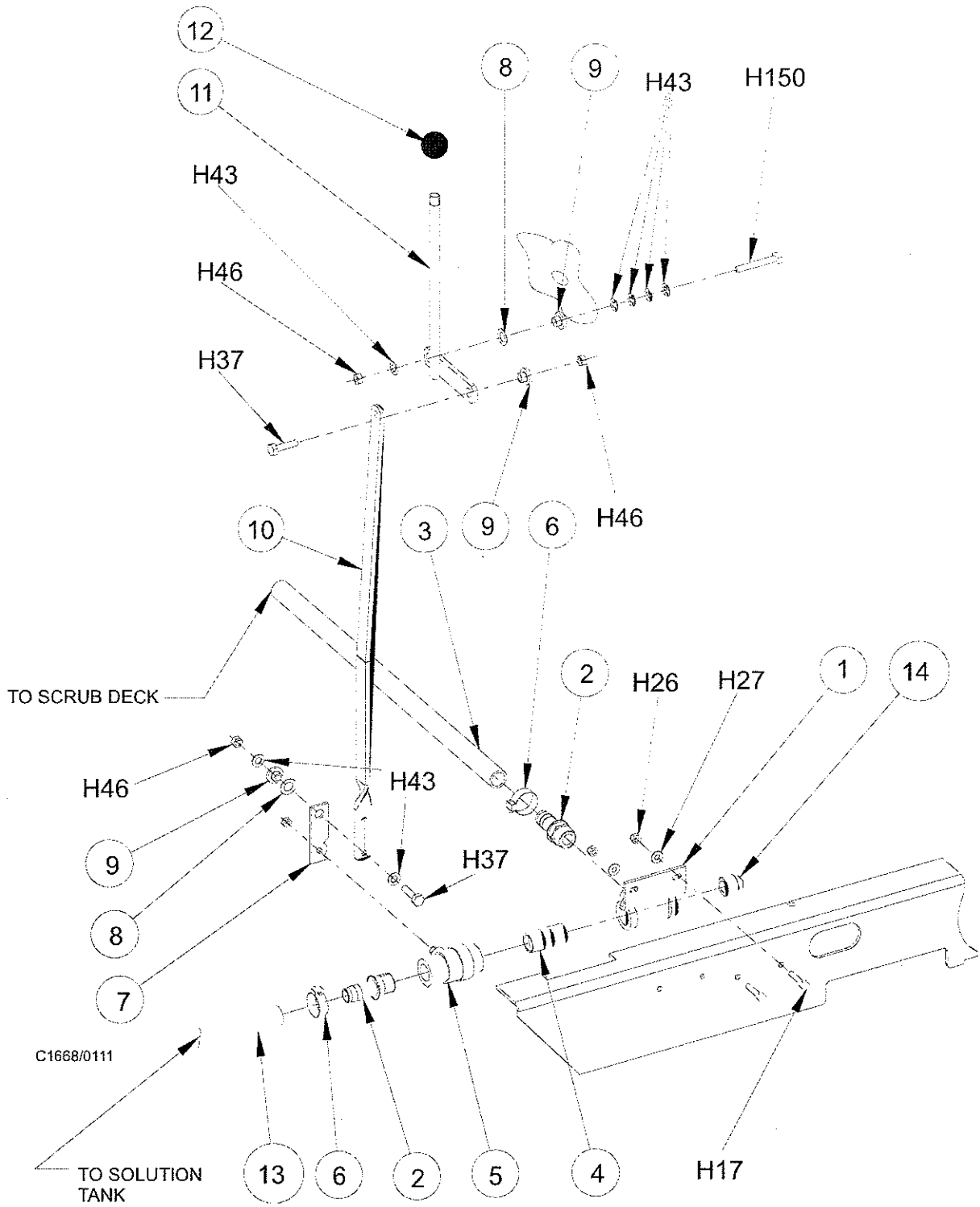
C2182/0903

SOLUTION FEED - PARTS LIST

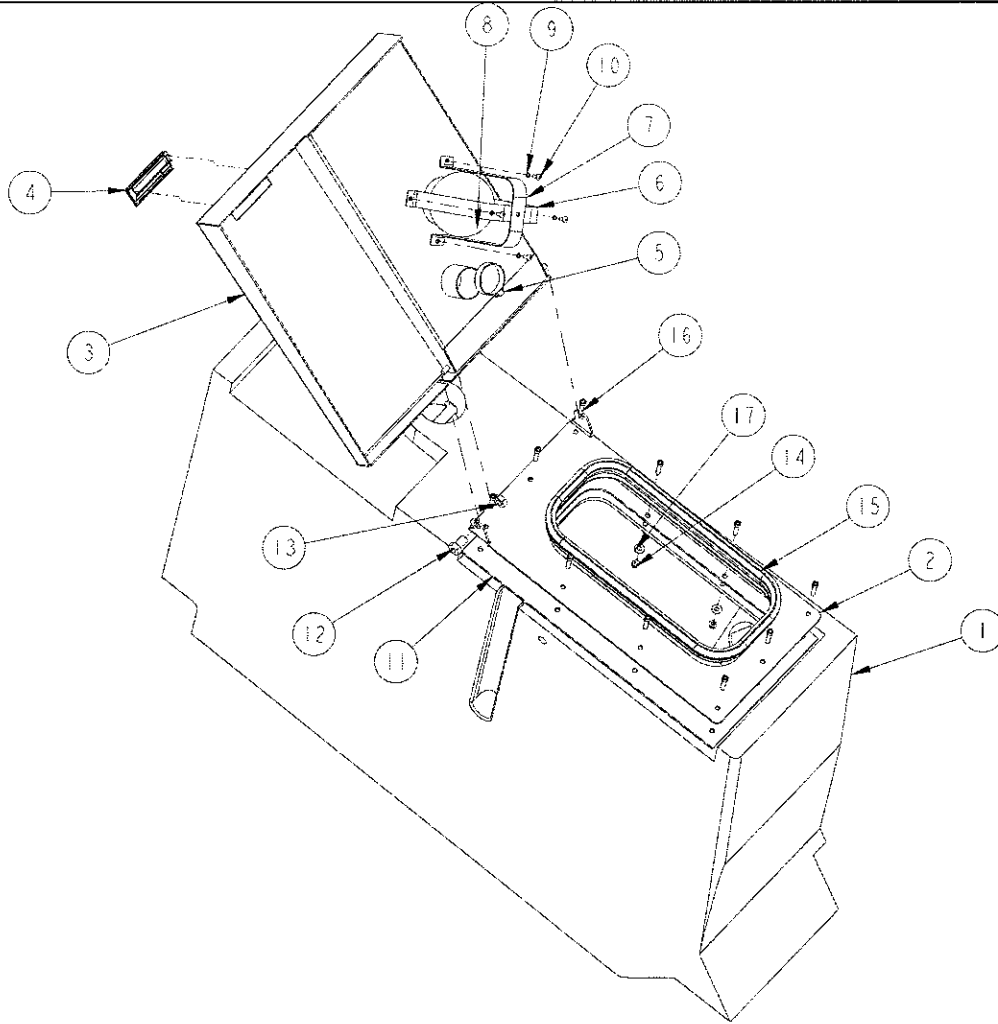
| <u>KEY NO.</u> | <u>PART NUMBER</u> | <u>DESCRIPTION</u> | <u>QTY.</u> |
|----------------|--------------------|------------------------------------|-------------|
| 1 | 7-08-00922 | Bracket- Solution Pipe | 1 |
| 2 | 7-25-02012 | Fitting - Hose to 3/4 - 14 NPT | 2 |
| 3 | 7-33-02339 | Hose - Solution Feed (Gas, Diesel) | 1 |
| 3 | 7-33-02383 | Hose- Solution Feed (Battery) | 1 |
| 4 | 2-00-03586 | Pipe Nipple 3/4 NPT x 2.00 | 1 |
| 5 | 7-88-00027 | Ball Valve | 1 |
| 6 | 2-00-02220 | Hose Clamp | 2 |
| 7 | 7-41-05085 | Lever | 1 |
| 8 | 2-00-03382 | Spring Washer | 2 |
| 9 | 7-09-01057 | Bushing | 3 |
| 10 | 7-42-05128 | Link | 1 |
| 11 | 7-41-05108 | Lever Assembly | 1 |
| 12 | 8-39-00002 | Knob | 1 |
| 13 | 7-33-02339 | Hose-Solution Feed | 1 |
| 14 | 2-00-02475 | Plug | 1 |
| HARDWARE USED: | | | |
| H17 | 2-00-00205 | Screw, 1/4 - 20 x 1000 HHC | 2 |
| H26 | 2-00-00641 | Nut, 1/4 -20 Insert Fiber | 2 |
| H27 | 2-00-03702 | Washer, .625 x .281 x .063 | 2 |
| H37 | 2-00-00207 | Screw, 5/16 -18 x 1.250 HHC | 2 |
| H43 | 2-00-00409 | Flat Washer, .687 x .344 x .062 | 7 |
| H46 | 2-00-00644 | Nut, 5/16-18 Insert Fiber | 3 |
| H150 | 2-00-00211 | Screw, 5/16 - 20 x 1.750 HHC | 1 |

C1668/0302

SOLUTION FEED - EXPLODED VIEW

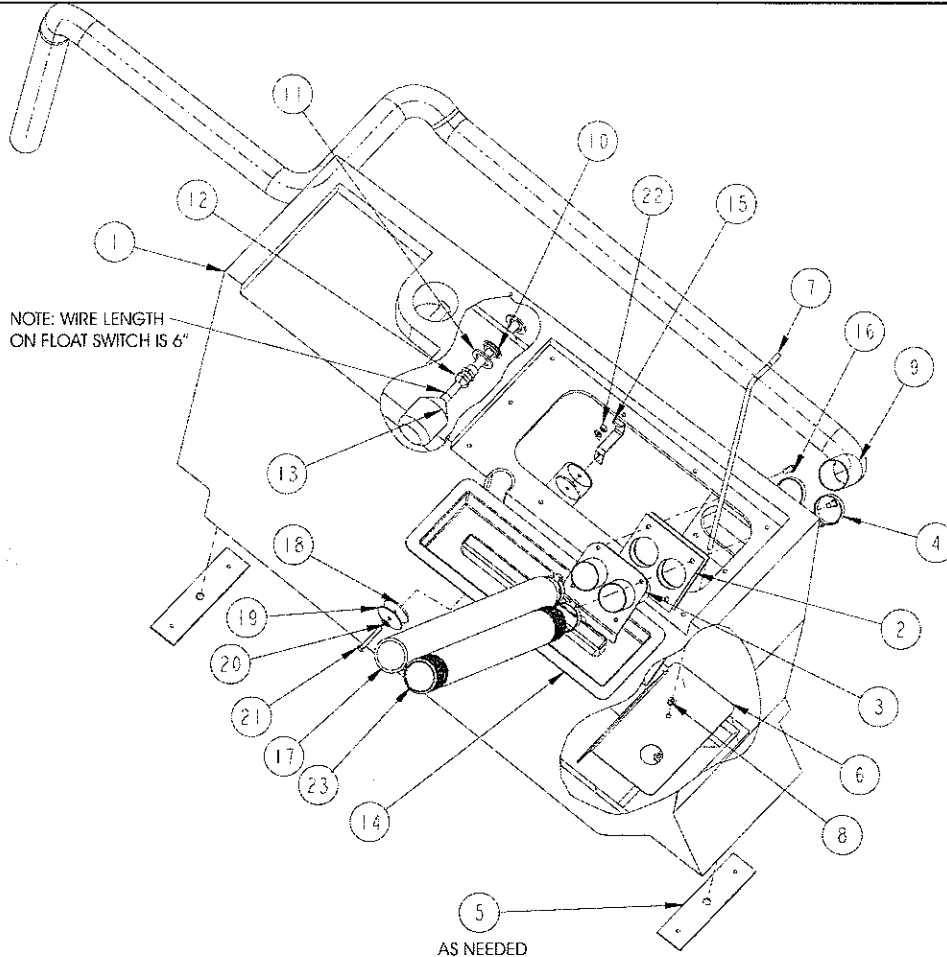


RECOVERY TANK



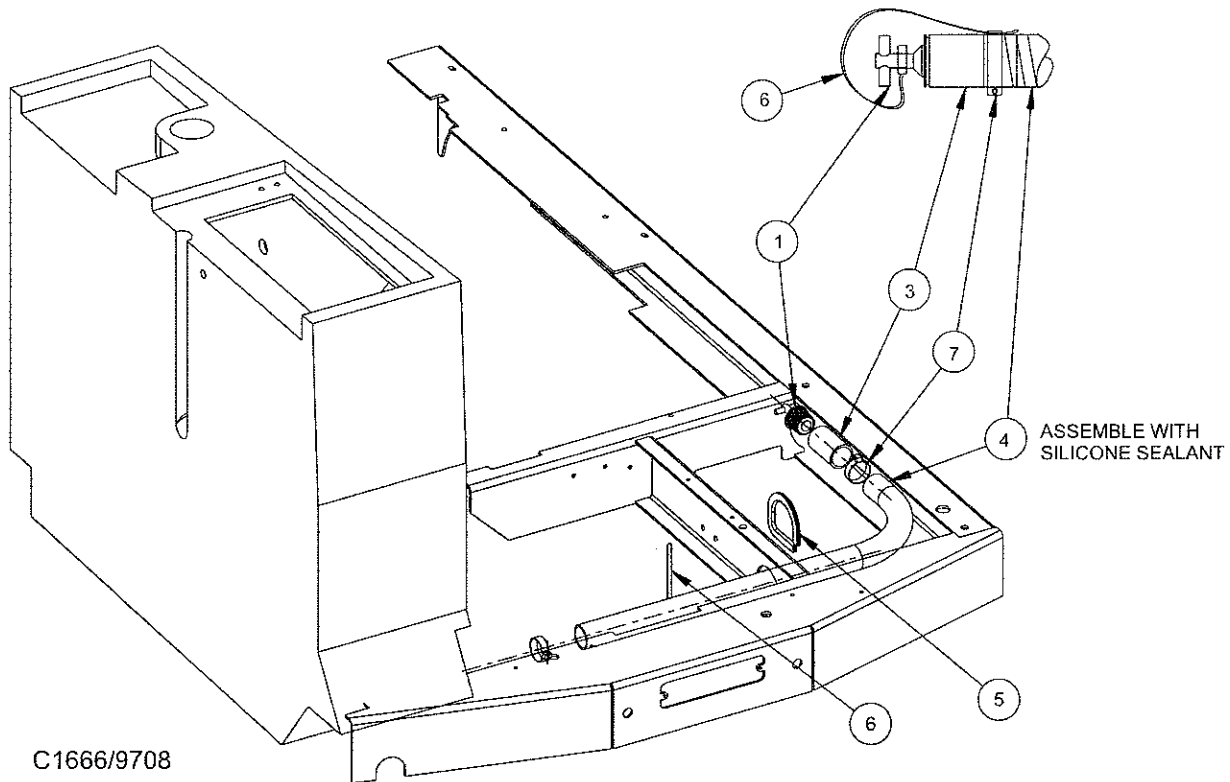
| <u>KEY NO.</u> | <u>PART NUMBER</u> | <u>DESCRIPTION</u> | <u>QTY.</u> |
|----------------|--------------------|------------------------------------|-------------|
| 1 | 7-83-04200 | Recovery Tank | 1 |
| 2 | 7-32-00048 | Hinge, Tank Lid | 1 |
| 3 | 7-48-00048 | Lid, Vacuum | 1 |
| 4 | 7-31-06082 | Handle, Cover | 1 |
| 5 | 2-00-02216 | Clamp, Hose | 1 |
| 6 | 7-62-05119 | Cage, 4" Float | 1 |
| 7 | 7-62-05120 | Cage, 4" Float | 1 |
| 8 | 7-26-04010 | Ball, 4" Float | 1 |
| 9 | 2-00-00519 | Lock Washer, #10-24 Helical Spring | 4 |
| 10 | 2-00-00049 | Screw, 10-24 x .50 ZN PL | 4 |
| 11 | 7-29-00297 | Gasket, Tank Lid | 1 |
| 12 | 7-09-01155 | Bushing, Hinge Pivot | 1 |
| 13 | 2-00-00591 | Nut, 1/2-20 Hex Jam | 1 |
| 14 | 2-00-00641 | Nut, 1/4-20 Fiber Insert | 10 |
| 15 | 7-29-00298 | Gasket, Recovery Tank | 1 |
| 16 | 2-00-03041 | Screw, HSHC, 1/4-20 x 1.25 LG | 10 |
| 17 | 2-00-03702 | Washer, .625 x .281 x .063 | 10 |

RECOVERY TANK (CON'T)



| KEY NO. | PART NUMBER | DESCRIPTION | QTY |
|---------|---------------------------|--|-----|
| 1 | 7-83-04200 | Recovery Tank | REF |
| 2 | 7-29-00276 | Gasket, Tank Drain Dual | 1 |
| 3 | 7-25-02101 | Fitting, Recovery Tank Dual Port | 1 |
| 4 | 2-00-02216 | Clamp, Hose | 1 |
| 5 | 7-71-00010 | Shim, Tank Spacer | 2 |
| 6 | 7-05-01002 | Baffle, Sludge | 1 |
| 7 | 7-31-06074 | Handle, Baffle | 1 |
| 8 | 2-00-00585 | Nut, 5/16-18 Hex | 2 |
| 9 | 7-33-02496 | Hose, Vacuum Recovery, 2" ID x 110" LG | 1 |
| | 7-33-02461 (Battery Only) | Hose, Vacuum Recovery, 86" LG | 1 |
| 10 | 7-09-01124 | Bulkhead Fitting | 1 |
| 11 | 7-29-00225 | Gasket, Black Neoprene | 2 |
| 12 | 7-09-01122 | Bushing | 1 |
| 13 | 0775-164 | Float Switch (gray) | 1 |
| 14 | 7-16-07454 | Cover, Solution Tank Lid | 1 |
| 15 | 7-08-01131 | Bracket, Hose | 1 |
| 16 | 2-00-00809 | Screw, HSHC, .31-18 x 1.00 | 4 |
| 17 | 7-33-02397 | Hose, Squeegee | 2 |
| 18 | 2-00-05028 | Washer, Flat, 2.00 OD x .281 x .125 | 2 |
| 19 | 2-00-05236 | Washer, Flat, 2.00 OD x .28 x .08 | 2 |
| 20 | 2-00-04590 | Washer, Sealing | 2 |
| 21 | 2-00-05122 | Screw, 1/4-20 x 2.00 LG SS | 1 |
| 22 | 2-00-04688 | Nut, 1/4-20 Hex | 1 |
| 23 | 7-33-02386 | Hose, Vacuum | 1 |

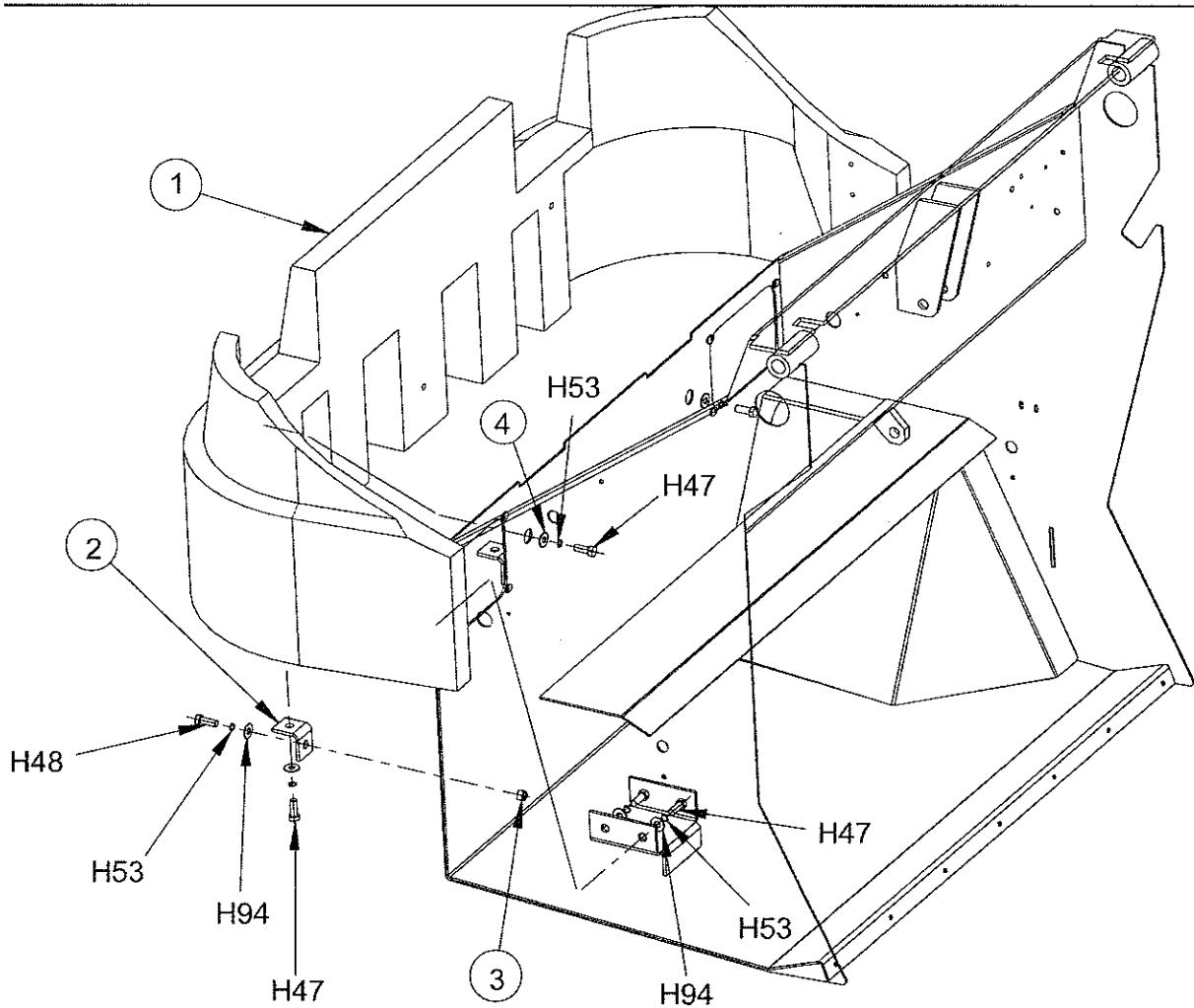
RECOVERY DRAIN SYSTEM



| <u>KEY NO.</u> | <u>PART NUMBER</u> | <u>DESCRIPTION</u> | <u>QTY.</u> |
|----------------|--------------------|--------------------|-------------|
| 1 | 7-58-08001 | Plug-Drain | 1 |
| 2 | | | |
| 3 | 7-87-02186 | Tube - PVC 3" | 1 |
| 4 | 7-33-02335 | Hose, Drain | 1 |
| 5 | 7-21-03003 | Edging | 1 |
| 6 | 2-00-04345 | Tye-Rap | 2 |
| 7 | 2-00-02216 | Clamp | 2 |

C1666/9803

FRONT BUMPER

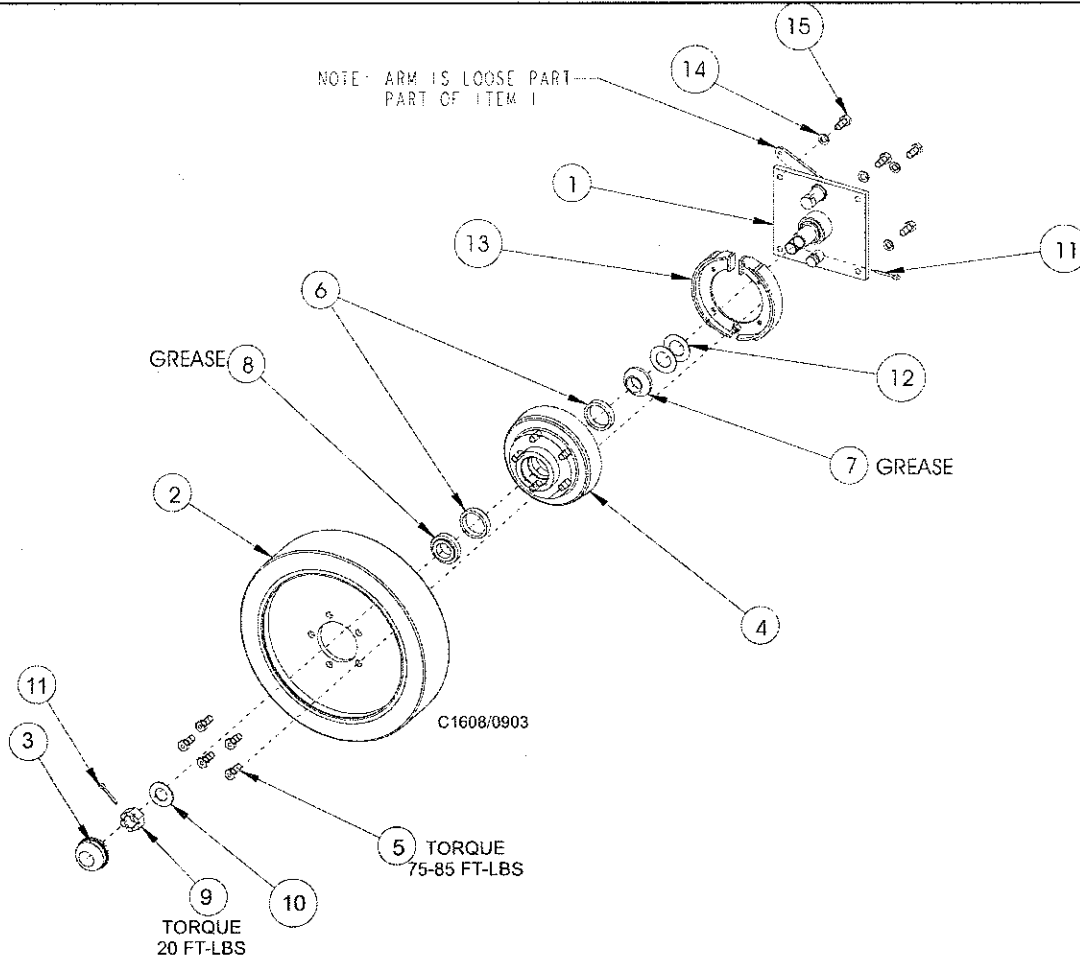


C1675/9702

| KEY NO. | PART NUMBER | DESCRIPTION | QTY. |
|----------------|-------------|--------------------------------------|------|
| 1 | 7-08-07075 | Front Bumper | 1 |
| 2 | 7-08-00863 | Bracket - Bumper | 2 |
| 3 | 2-00-05347 | Threaded insert, 3/8 - 16 | 2 |
| 4 | 2-00-04851 | Engine Mount Washer | 2 |
| HARDWARE USED: | | | |
| H47 | 2-00-00232 | Screw, 3/8 - 16 x .750 HHC | 8 |
| H48 | 2-00-00233 | Screw, 3/8-16 x .750 HHC | 10 |
| H53 | 2-00-02310 | Lock Washer, Helical Spring 3/8 Med. | 10 |
| H94 | 2-00-00410 | Flat Washer, .875 x .375 x .060 | 12 |

C1675/9702

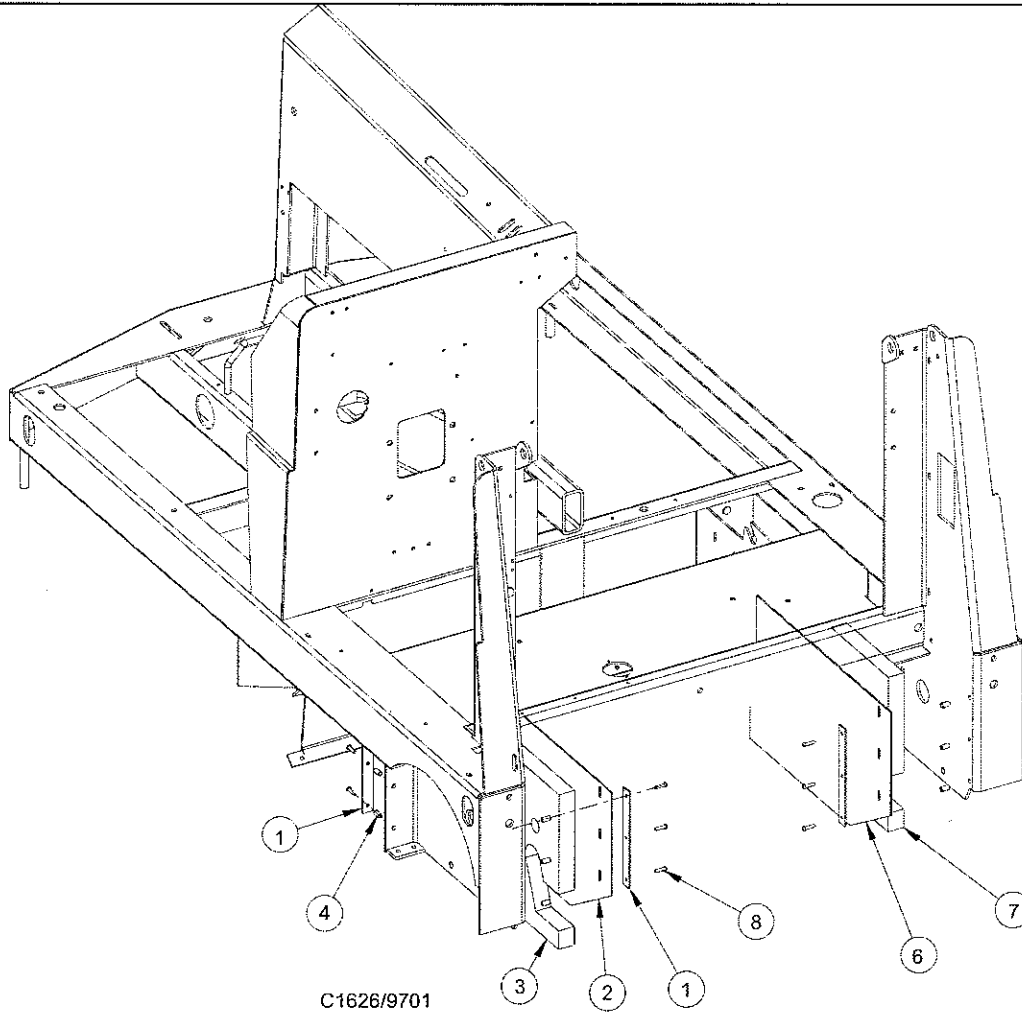
FRONT WHEEL



| KEY NO. | PART NUMBER | DESCRIPTION | QTY. |
|---------|-------------|--------------------------------|------|
| 1 | 0860-571 | Knott Brake | 2 |
| 2 | 7-89-08085 | Molded Wheel (Gas, LP, Diesel) | 2 |
| 2 | 7-89-08044 | Molded Wheel (Battery) | 2 |
| 3 | 8-11-00030 | Grease Cap | 2 |
| 4 | 0760-501 | Hub and Drum | 2 |
| 5 | 8-80-05035 | Stud | 10 |
| 6 | 2-00-04621 | Bearing Cup | 4 |
| 7 | 2-00-02079 | Bearing Cone (Sealed) | 2 |
| 8 | 2-00-04622 | Bearing Cone | 2 |
| 9 | 2-00-05026 | Nut | 2 |
| 10 | 2-00-05024 | Flat Washer | 2 |
| 11 | 2-00-02436 | Cotter Pin | 2 |
| 12 | 2-00-03797 | Flat Washer | 4 |
| 13 | 8-71-05007 | Brake Shoe | 2 |
| 14 | 2-00-02312 | Lock Washer, 1/2 HS Med. | 8 |
| 15 | 2-00-02689 | Screw, 1/2-20 x 1.000 HHC | 8 |

C1608/0903

WHEEL WELL FLAP



| <u>KEY NO.</u> | <u>PART NUMBER</u> | <u>DESCRIPTION</u> | <u>QTY.</u> |
|----------------|--------------------|------------------------|-------------|
| 1 | 8-13-07148 | Clamp, Wheel Well Flap | 4 |
| 2 | 7-25-08074 | RH Wheel Well Flap | 1 |
| 3 | 7-68-05016 | RH Seal Wheel Well | 1 |
| 4 | 2-00-05261 | 1/4-20 Threaded Insert | 12 |
| 5 | | | |
| 6 | 7-25-08073 | LH Wheel Well Flap | 1 |
| 7 | 7-68-05017 | LH Seal Wheel Well | 1 |

HARDWARE USED:

| | | | |
|-----|------------|---------------------------|----|
| H83 | 2-00-04877 | Screw, 1/4-20 x 1.000 BHS | 12 |
|-----|------------|---------------------------|----|

C1627/0302

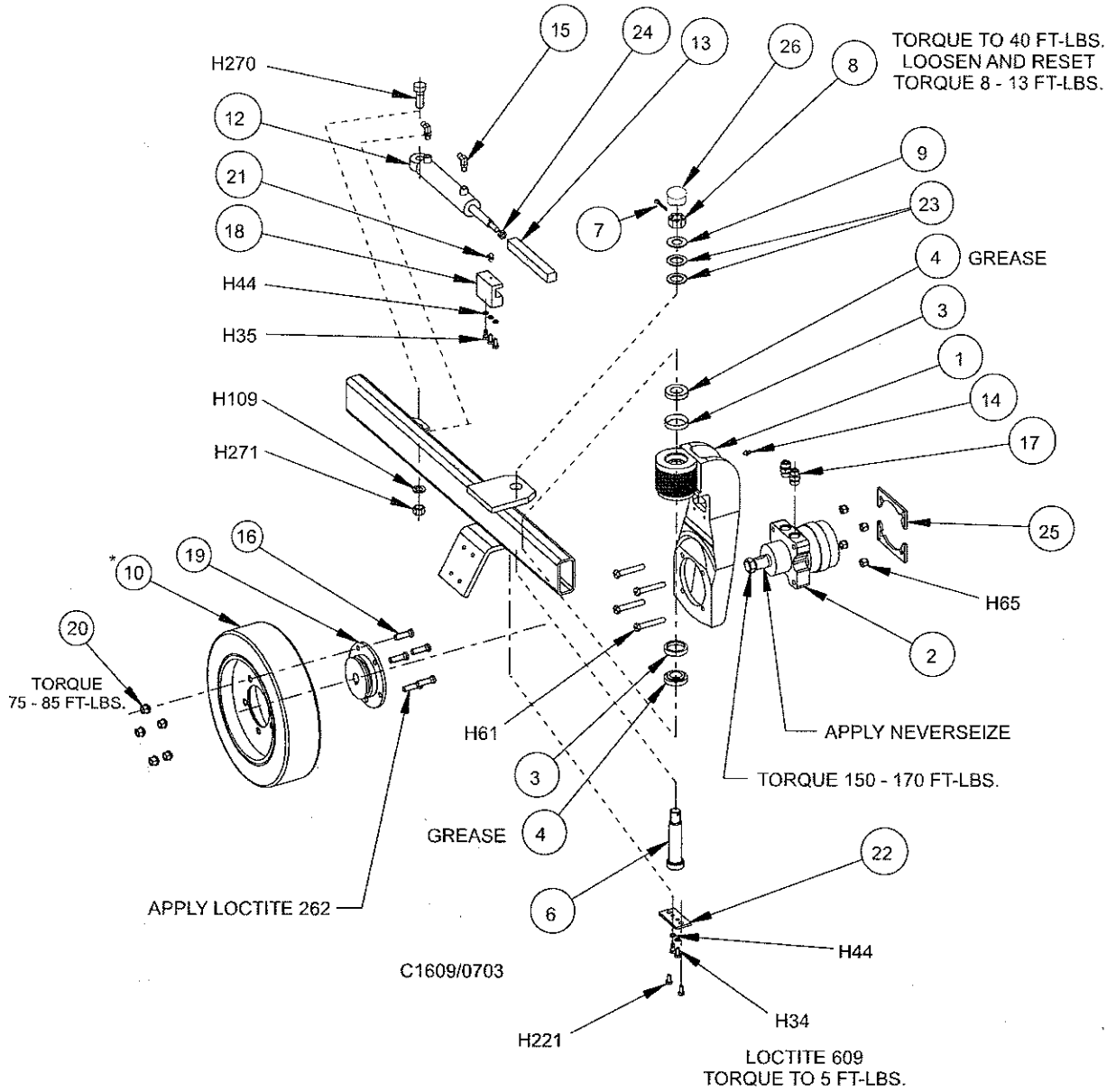
REAR WHEEL ASSEMBLY - PARTS LIST

| KEY NO. | PART NUMBER | DESCRIPTION | QTY. |
|----------------|--------------------------------------|-----------------------------------|------|
| 1 | 7-81-00212 | Support-Wheel | 1 |
| 2 | 0885-092 (Gas) 0785-087 (Battery) | Hydraulic Motor | REF. |
| 3 | 2-00-04621 | Bearing - Outer Race (Cup Only) | 2 |
| 4 | 2-00-02079 | Roller Bearing | 2 |
| 5 | | | |
| 6 | 8-55-08131 | Pin - Pivot - Rear Wheel | 1 |
| 7 | 2-00-02436 | Cotter Pin (.18 Dia.) | 1 |
| 8 | 2-00-05026 | Nut, (Slotted Head) | 1 |
| 9 | 2-00-05024 | Flat Washer | 1 |
| 10 | 0797-049 | Wheel Assembly (Wet Traction) | 1 |
| 10 | 0797-049-1 | Wheel Assembly(Battery only) | 1 |
| 11 | | | |
| 12 | 7-17-05010 | Hydraulic Cylinder | REF. |
| 13 | 7-62-00006 | Rack | 1 |
| 14 | 2-00-00566 | Grease Zerk | 1 |
| 15 | 2-00-04892 | Fitting 90° | REF. |
| 16^ | 2-00-05227 | Stud M14 x 1.500 | 5 |
| 17^ | 2-00-04974 | Straight Fitting | REF. |
| 18 | 7-30-08015 | Slide Rack | 1 |
| 19 | 7-33-09028 | Hub Drive Wheel | 1 |
| 20 | 7-23-03101 | Nut, M14 x 1.500 | 5 |
| 21 | 2-00-02557 | Grease Zerk 90° | 1 |
| 22 | 7-13-07176 | Clamp - Pivot Pin | 1 |
| 23 | 8-75-01136 | Flat Washer | 2 |
| 24 | 2-00-00591 | Jam Nut | 1 |
| 25 | 7-75-01182 | Spacer - Motor | 2 |
| 26 | 7-11-00048 | Cap, 7/8 Hex Nut | 1 |
| HARDWARE USED: | | | |
| H34 | 2-00-00208 | Screw, 5/16-18 x .750 HHC | 2 |
| H35 | 2-00-02708 | Screw, 5/16 - 18 x 1.000 HHM | 3 |
| H44 | 2-00-00530 | Lock Washer, 5/16 HS Med. | 5 |
| H61^ | 2-00-02616 | Screw, 1/2-13 x 3.000HHC | 4 |
| H65^ | 2-00-04936 | Nut, 1/2-13 Fiber Insert | 4 |
| H109 | 2-00-00522 | Lock Washer, 3/4 Helical Spring | 1 |
| H155 | 2-00-05044 | Lock Washer, M14 Split | 4 |
| H221 | 2-00-03335 | Screw, Hex SOC Cap .312-18 x .500 | 2 |
| H270 | 2-00-05341 | Screw-HHC .75-10 x 2.00 | 1 |
| H271 | 2-00-03293 | Nut-Hex-Fin .75-10 | 1 |

^Gas/LP/Diesel only

C1609/0703

REAR WHEEL ASSEMBLY - EXPLODED VIEW



BRAKE PEDAL - PARTS LIST

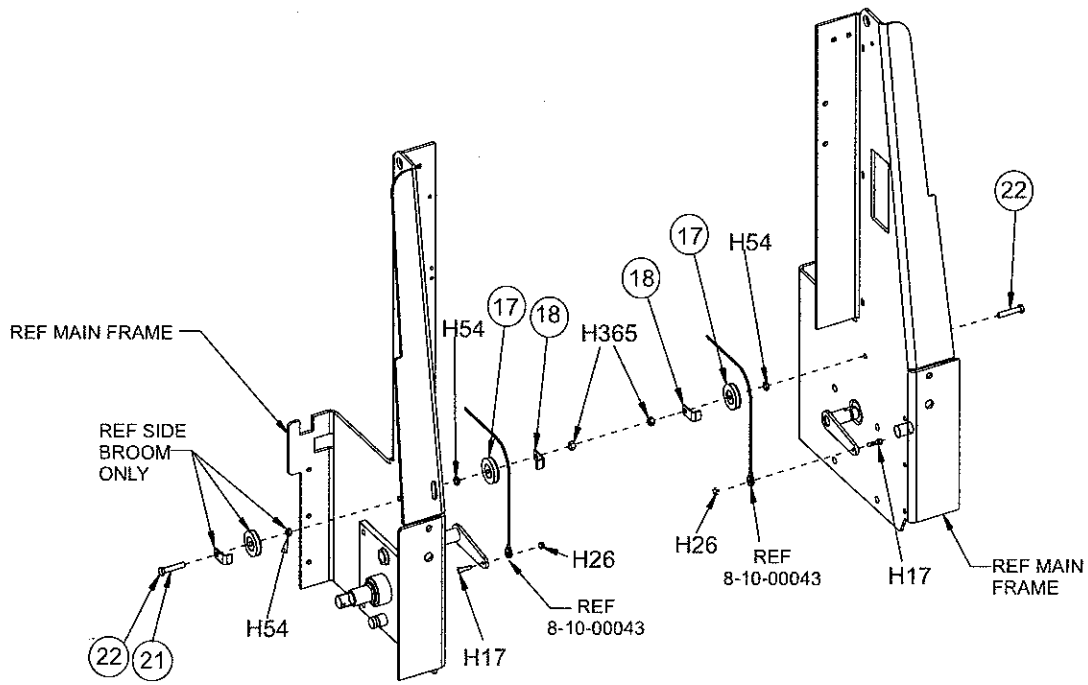
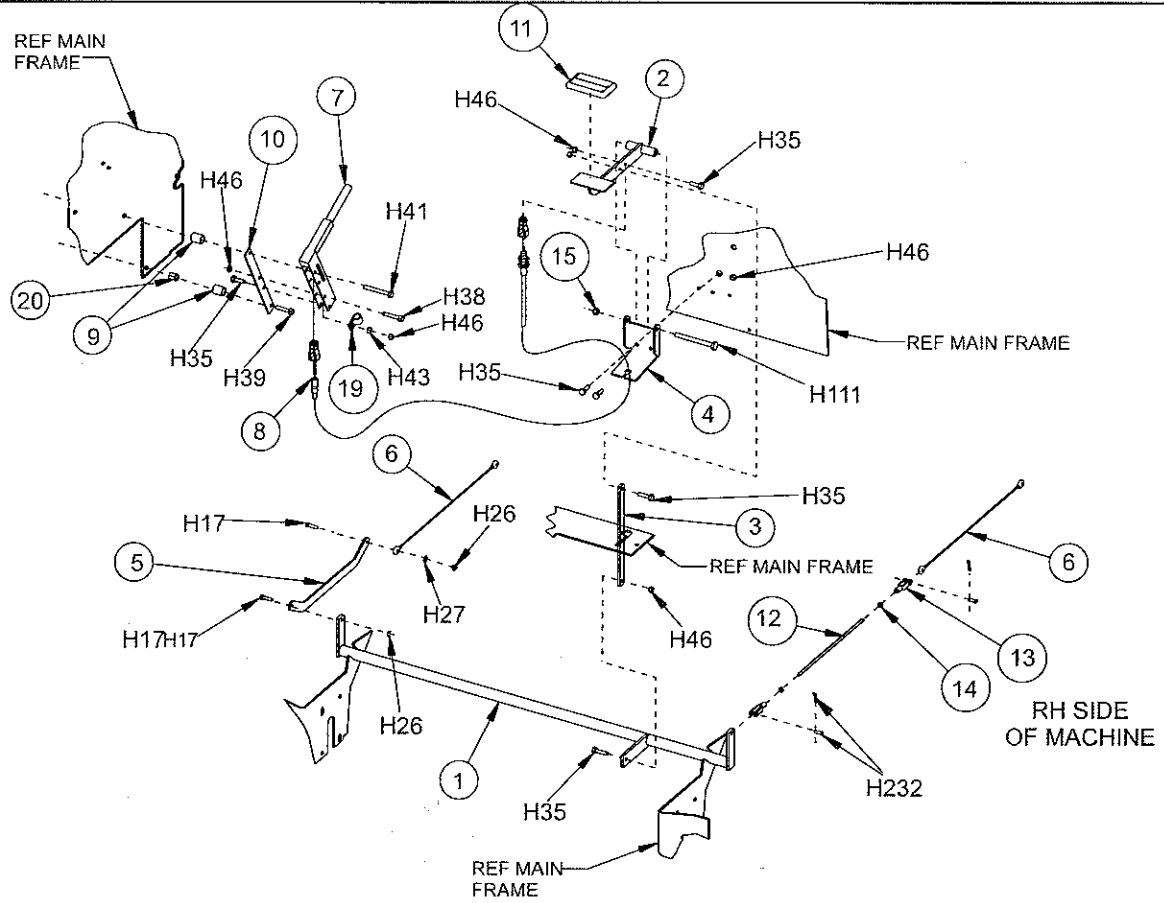
| <u>KEY NO.</u> | <u>PART NUMBER</u> | <u>DESCRIPTION</u> | <u>QTY.</u> |
|----------------|--------------------|----------------------------|-------------|
| 1 | 7-17-00014 | Brake Cross Shaft | 1 |
| 2 | 7-55-00018 | Brake Pedal | 1 |
| 3 | 7-42-05126 | Link - Brake Pedal | 1 |
| 4 | 7-57-05036 | Pivot - Brake Pedal | 1 |
| 5 | 7-42-05131 | Link - L.H. Pedal | 1 |
| 6 | 8-10-00043 | Cable | 2 |
| 7 | 7-41-05083 | Parking Brake Lever | 1 |
| 8 | 8-10-00038 | Cable | 1 |
| 9 | 7-75-01163 | Spacer - Lever Mounting | 2 |
| 9 | 8-75-01181 | Spacer-Filter Mount | 2 |
| 10 | 7-81-00193 | Support | 1 |
| 11 | 7-50-05145 | Pad - Pedal | 1 |
| 12 | 8-66-00162 | Rod - Threaded (10") | 1 |
| 13 | 8-14-01006 | Clevis | 2 |
| 14 | 2-95-01999 | Jam Nut | 2 |
| 15 | 2-95-04182 | 3/8-16 Elastic Stop Nut | 3 |
| 16 | | | |
| 17 | 7-60-00160 | Pulley | 2 |
| 18 | 7-13-07130 | Retainer | 2 |
| 19 | 2-00-05169 | Clamp | 1 |
| 20 | 2-00-05330 | Threaded Insert | 2 |
| 21 | 2-00-05384 | Screw - HHM .375-16 x 3.00 | 1 |
| 22 | 2-00-05385 | Screw - HHM .375-16 x 1.75 | 1 |

HARDWARE USED:

| | | | |
|------|------------|---------------------------------|---|
| H15 | 2-00-00221 | Screw, 1/4-20 x .750 HHC | 2 |
| H17 | 2-00-00205 | Screw, 1/4-20 x 1.000 HHC | 4 |
| H26 | 2-00-00641 | Nut, 1/4-20 Fiber Insert | 4 |
| H27 | 2-00-03702 | Washer, .625 x .281 x .063 | 3 |
| H35 | 2-00-02708 | Screw, 5/16-18 x 1.000 HHM | 6 |
| H38 | 2-00-00225 | Screw, 5/16-18 x 1.500 HHC | 1 |
| H39 | 2-00-00218 | Screw, 5/16 - 18 x .063 HHC | 1 |
| H41 | 2-00-02597 | Screw, 5/16 - 18 x 3.250 HHC | 1 |
| H43 | 2-00-00409 | Flat Washer, .687 x .344 x .062 | 1 |
| H46 | 2-00-00644 | Nut, 5/16 - 18 Fiber Insert | 7 |
| H54 | 2-00-02360 | Nut, 3/8 - 16 Hex | 3 |
| H111 | 2-00-03296 | Screw, 3/8-16 x 4.00 HHC | 1 |
| H232 | 2-00-04909 | Yoke, Pin Assembly | 2 |
| H365 | 2-00-04182 | Bushing | 2 |

C1610/0202

BRAKE PEDAL - EXPLODED VIEW



C1610/0202

FORWARD/REVERSE CONTROL - BATTERY - PARTS LIST

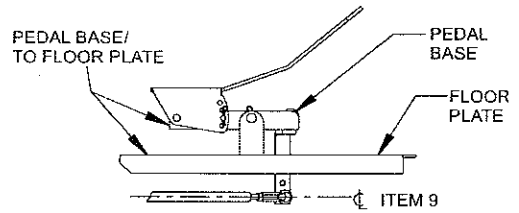
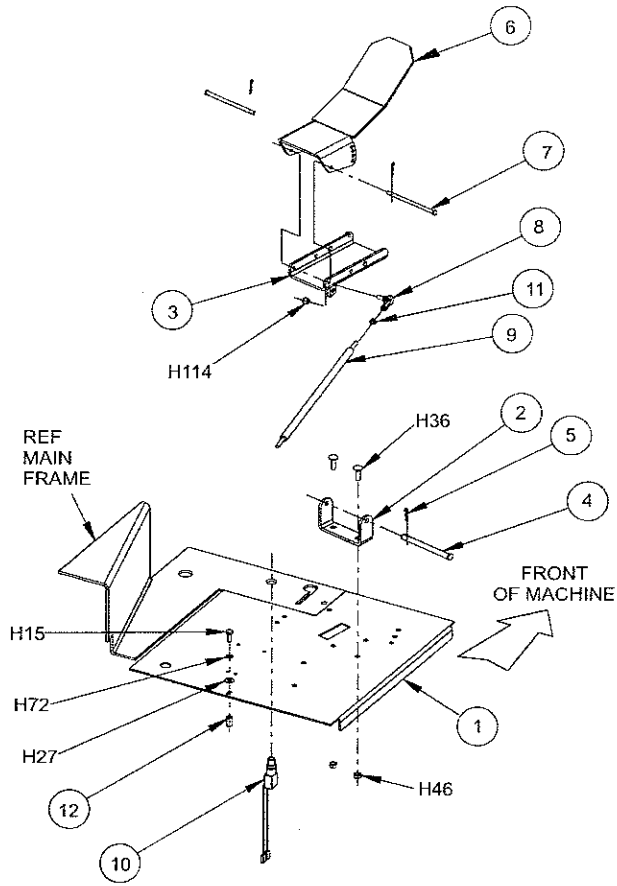
| <u>KEY NO.</u> | <u>PART NUMBER</u> | <u>DESCRIPTION</u> | <u>QTY.</u> |
|----------------|--------------------|---------------------------|-------------|
| 1 | 7-58-05274 | Floor Plate | 1 |
| 2 | 8-08-00782 | Bracket, Fwd/Rev Pedal | 1 |
| 3 | 8-55-00036 | Pedal Base | 1 |
| 4 | 2-00-05246 | Pin | 1 |
| 5 | 2-00-05249 | Cotter Pin | 3 |
| 6 | 7-55-00022 | Adj. Foot Pedal | 1 |
| 7 | 2-00-05247 | Pin | 2 |
| 8 | 7-25-02050 | Rod End | 1 |
| 9 | 7-66-00199 | Rod, FWD/REV | 1 |
| 10 | 8-82-00030 | Horn Switch | 1 |
| 11 | 2-95-01999 | Jam Nut | 1 |
| 12 | 2-00-05261 | Threaded Insert, 1/4 - 20 | 1 |
| 13 | 8-82-00058 | Switch | 2 |
| 14 | 7-08-00870 | Bracket - Switch | 1 |
| 15 | 7-64-00030 | Relay, Time Delay | 1 |
| 16 | 8-64-00019 | Relay, 36V | 3 |
| 17 | 7-13-07096 | Adjustable Clamp | 3 |
| 18 | 0795-125 | Harness - Wire | 1 |

HARDWARE USED:

| | | | |
|------|------------|-------------------------------------|----|
| H9 | 2-00-00426 | Flat Washer, .500 x .219 x .063 | 10 |
| H15 | 2-00-00221 | Screw, 1/4-20 x .750 HHC | 1 |
| H27 | 2-00-03702 | Washer, .625 x .281 x .063 | 1 |
| H36 | 2-00-00196 | Carriage Bolt, 5/16-18 x 1.000 | 2 |
| H46 | 2-00-00644 | Nut, 5/16-18 Insert Fiber | 2 |
| H72 | 2-00-00518 | Lock Washer, Helical Spring | 1 |
| H89 | 2-00-01372 | Nut, Fiber Insert #8-32 Steel | 2 |
| H114 | 2-00-00633 | Nut, Fiber 1/4 - 28 | 1 |
| H121 | 2-00-00090 | Screw, #8-32 x 1.500 RHM | 4 |
| H191 | 2-00-00602 | Nut, MSCR - Hex, 8-32 | 5 |
| H265 | 2-00-00506 | Lock Washer, Int Tooth #8 Dia Screw | 8 |
| H266 | 2-00-05371 | Screw-RHM #8-32 x 2.38 | 2 |
| H267 | 2-00-00068 | Screw-RHM #8-32 x .63 | 2 |

C1611A/0302

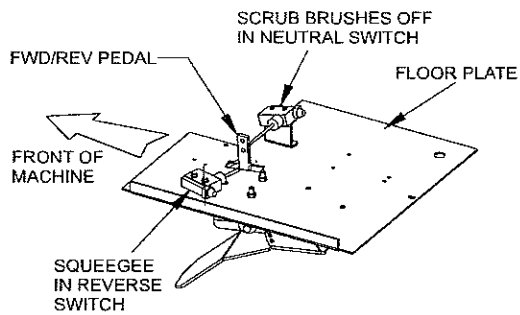
FORWARD/REVERSE CONTROL - BATTERY - EXPLODED VIEW



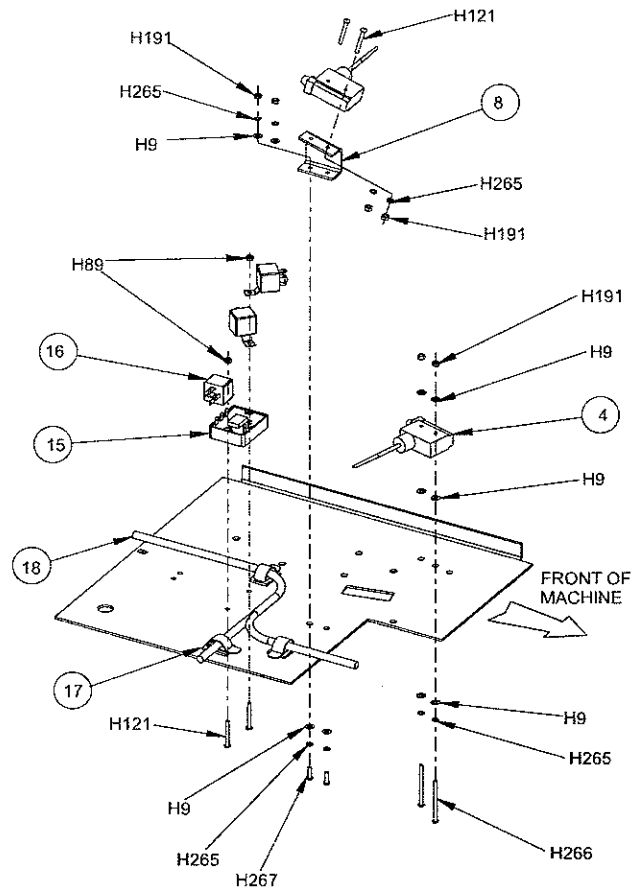
DETAIL A
FOOT PEDAL NEUTRAL POSITION

NEUTRAL ADJUSTMENT:
-ADJUST PISTON PUMP CENTERING CONTROL TO NEUTRAL WITH REAR WHEEL UP FROM FLOOR

-ADJUST ITEM 9 AND 14 FOR FOOT PEDAL NEUTRAL (DETAIL A)

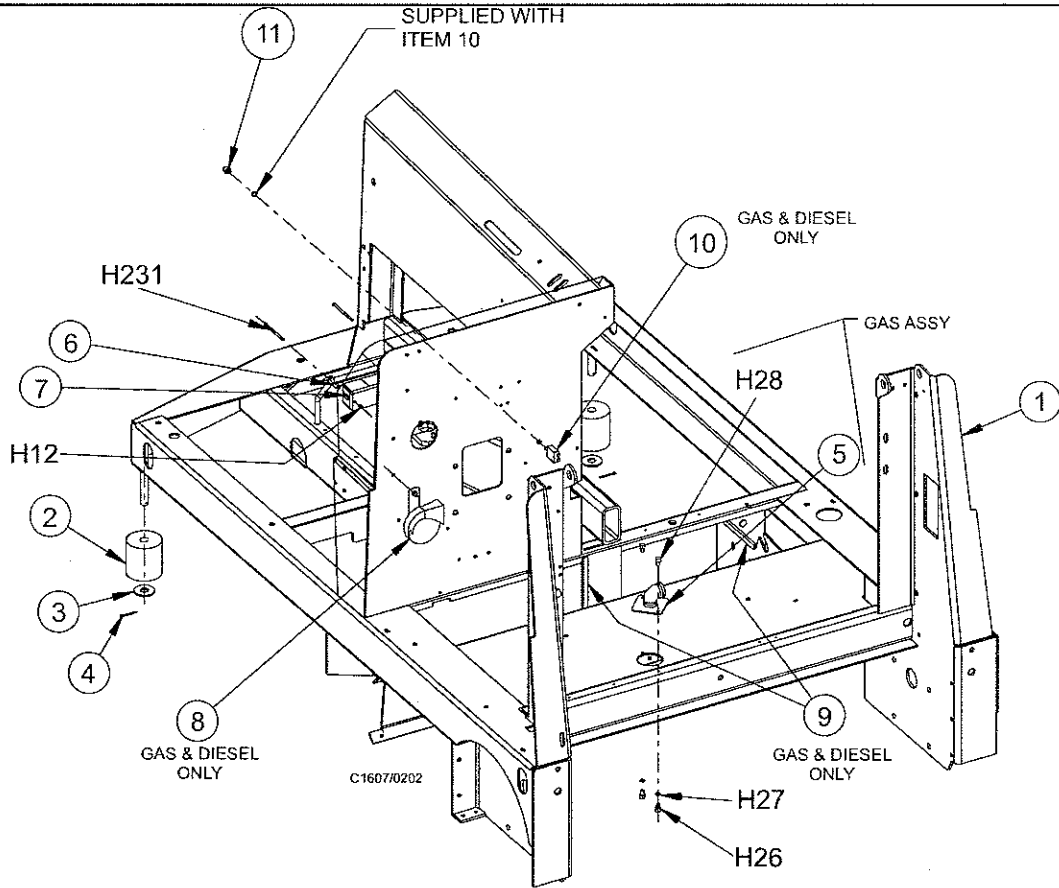


NOTE: WITH FWD/REV PEDAL PARALLEL TO FLOOR PLATE SCRUB BRUSH, OFF SWITCH IS IN NEUTRAL POSITION WHEN INSERTED THROUGH PEDAL AS SHOWN. SQUEEGEE IN REVERSE SWITCH IS IN NEUTRAL POSITION AND RESTS ON FRONT SURFACE OF FWD/REV PEDAL AS SHOWN.



C1611A

FRAME-PARTS LIST

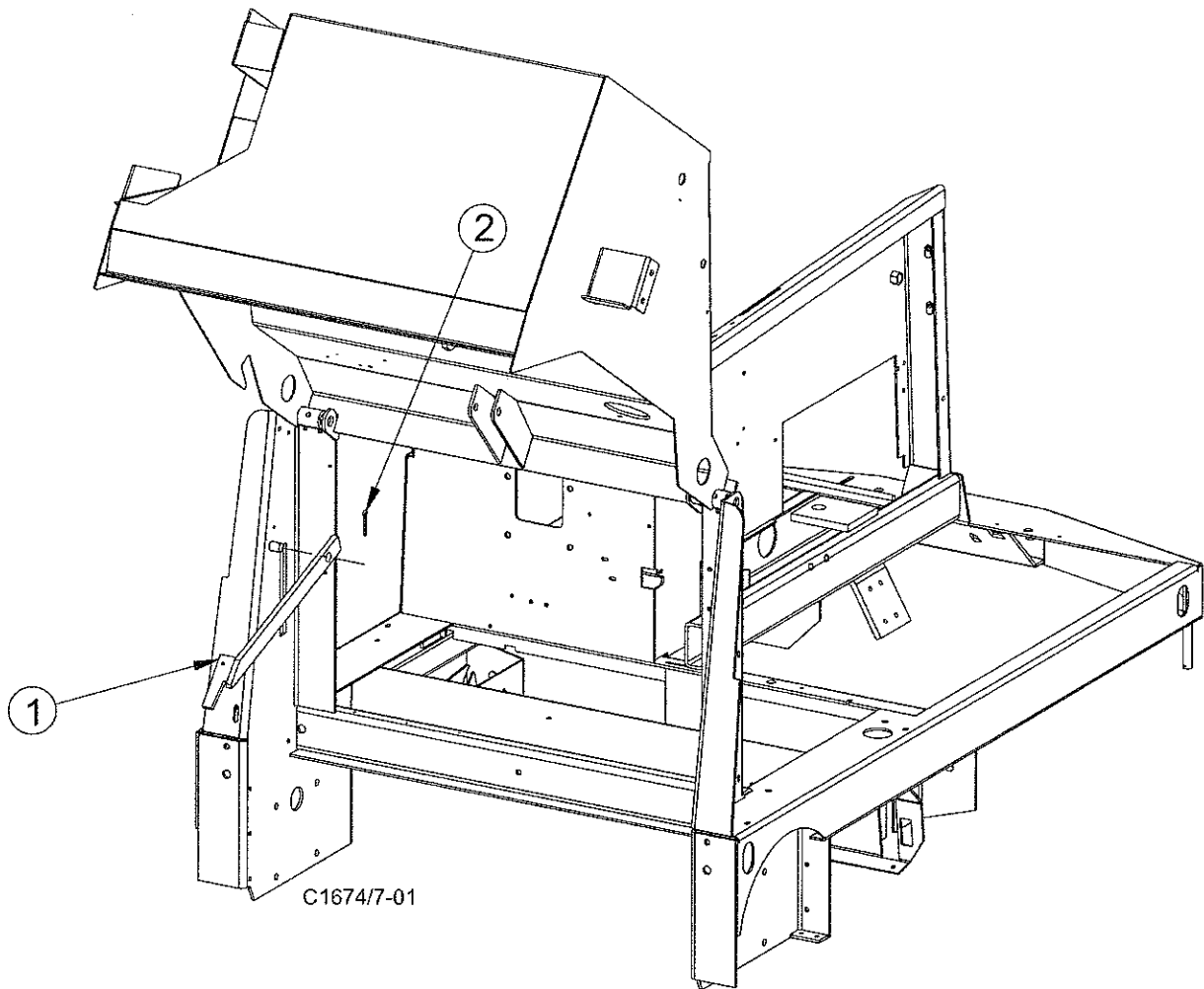


| KEY NO. | PART NUMBER | DESCRIPTION | QTY. |
|---------|-------------|------------------------------|------|
| 1 | 7-27-07211 | Main Frame, SC7750 | 1 |
| 2 | 7-66-05009 | Roller Bumper | 2 |
| 3 | 8-75-01157 | Washer, (2" x .812 x .157) | 2 |
| 4 | 2-00-00776 | Cotter Pin (.12 x 1.25) | 12 |
| 5 | 7-16-07398 | Cover Plate - Weldment (Gas) | Ref. |
| 6 | 8-75-01207 | Spacer | 2 |
| 7 | 8-40-05044 | Tail Light (Gas, Diesel) | 1 |
| 7 | 8-40-05053 | Tail Light (Battery) | 1 |
| 8 | 8-32-09013 | Horn (Gas, Diesel) | 1 |
| 9 | 7-21-04031 | Edging-Brush Drive Support | 2 |
| 10 | 7-64-00032 | Circuit Breaker (50 AMP) | 1 |
| 11 | 8-11-00051 | Boot - Circuit Breaker | 1 |

HARDWARE USED:

| | | | |
|------|------------|-------------------------------|---|
| H12 | 2-00-01246 | Nut, Hex. Fiber Insert #10-24 | 2 |
| H26 | 2-00-00641 | Nut, 1/4-20 Insert Fiber | 2 |
| H27 | 2-00-03702 | Washer, .625 x .281 x .063 | 2 |
| H28 | 2-00-04685 | Screw, 1/4-20 x .750 HHC | 2 |
| H231 | 2-00-02933 | Screw, #10-24 x 3.50 | 2 |

SAFETY ARM



| <u>KEY NO.</u> | <u>PART NUMBER</u> | <u>DESCRIPTION</u> | <u>QTY.</u> |
|----------------|--------------------|----------------------------|-------------|
| 1 | 7-81-00198 | Safety Arm Weldment | 1 |
| 2 | 2-00-02436 | Cotter Pin | 1 |
| 3 | 2-00-00051 | Screw, 1/4 - 20 x .750 RHM | 1 |

HARDWARE USED:

| | | | |
|-----|------------|--------------------------|---|
| H26 | 2-00-00641 | Nut, 1/4-20 Insert Fiber | 1 |
|-----|------------|--------------------------|---|

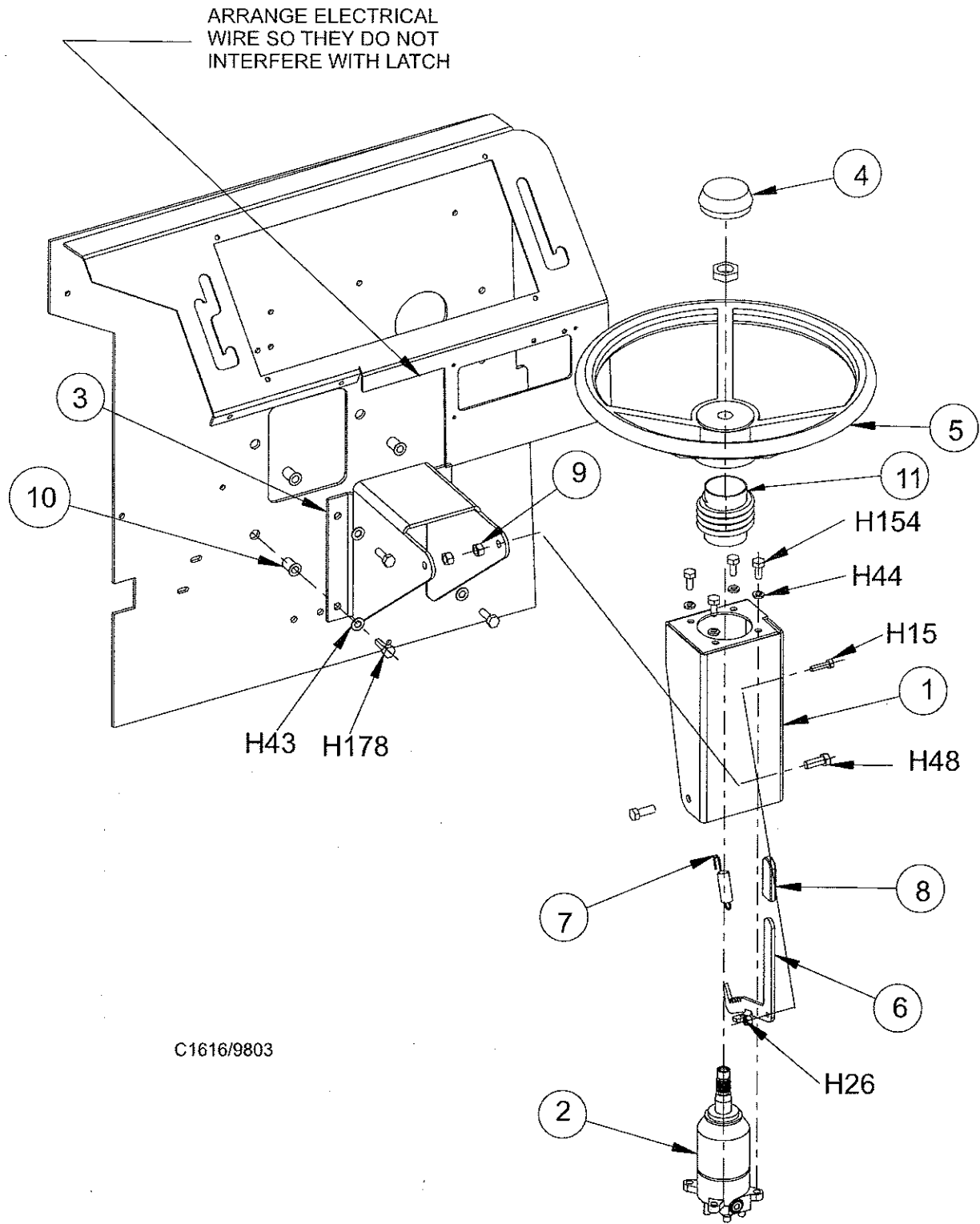
C1674

STEERING COLUMN - PARTS LIST

| <u>KEY NO.</u> | <u>PART NUMBER</u> | <u>DESCRIPTION</u> | <u>QTY.</u> |
|----------------|--------------------|---------------------------------------|-------------|
| 1 | 7-33-05124 | Housing Steering Valve | 1 |
| 2 | 8-60-05034 | Steering Unit 4.88 CIR/1100 PSI | Ref. |
| 3 | 7-81-00202 | Steering Support | 1 |
| 4 | 8-11-00022 | Cap Steering Wheel | 1 |
| 5 | 8-89-08016 | Steering Wheel | 1 |
| 6 | 7-41-00038 | Latch | 1 |
| 7 | 7-76-00051 | Spring | 1 |
| 8 | 8-31-06083 | Grip Latch | 1 |
| 9 | 2-95-04182 | 3/8-16 Lock Nut | 2 |
| 10 | 2-00-05330 | 5/16-18 THD Insert | 4 |
| 11 | 8-33-02360 | Hose, Heat Shield | 1 |
| HARDWARE USED: | | | |
| H15 | 2-00-00221 | Screw, 1/4 - 20 x .750 HHC | 1 |
| H26 | 2-00-00641 | Nut, 1/4-20 Insert Fiber | 1 |
| H44 | 2-00-00530 | Lock Washer, 5/16 Helical Spring Med. | 4 |
| H48 | 2-00-00233 | Screw, 3/8-16 x 1.000 HHC | 2 |
| H154 | 2-00-04363 | ScrewScrew, M8-1.250 x .750 | 4 |
| H178 | 2-00-00206 | Screw, 5/16 - 18 x 1.000 HHC | 4 |

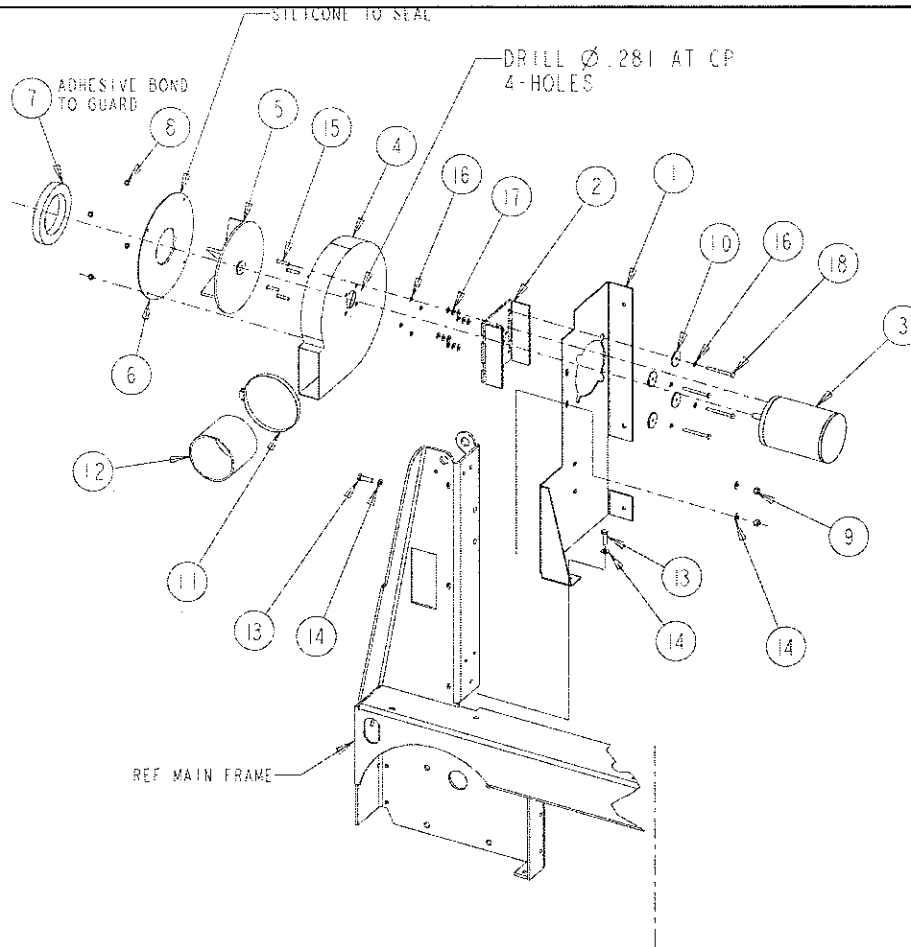
C1616/0402

STEERING COLUMN - EXPLODED VIEW



C1616/9803

VAC FAN - BATTERY



| KEY NO. | PART NUMBER | DESCRIPTION | QTY. |
|---------|-------------|-------------------------------------|------|
| 1 | 7-81-00197 | Support Motor | 1 |
| 2 | 7-08-00868 | Bracket-IMP. Motor Bracket (Welded) | 1 |
| 3 | 0882-062 | Motor-Impeller | 1 |
| 4 | 8-72-00005 | Shroud-Impeller | 1 |
| 5 | 8-23-00013 | Impeller | 1 |
| 6 | 8-30-05169 | Weldment-Guard Plate | 1 |
| 7 | 8-29-00183 | Gasket-Blower | 1 |
| 8 | 2-00-00641 | Nut, 1/4-20 Insert Fiber | 4 |
| 9 | 2-95-04182 | Nut, 3/8-16 Elastic Stop Nut | 3 |
| 10 | 7-23-03092 | Washer, Special | 4 |
| 11 | 2-00-03454 | Clamp - Hose | 1 |
| 12 | 8-33-02271 | Hose, Blower Exhaust | 1 |
| 13 | 2-00-00209 | Screw, 3/8-16 x 1.250 HHC | 3 |
| 14 | 2-00-00402 | Flat Washer, .750 x .390 x .094 | 6 |
| 15 | 2-00-00060 | Screw, 1/4-20 x 1.250 RHM | 4 |
| 16 | 2-00-00518 | Lock Washer, Helical Spring | 8 |
| 17 | 2-00-03702 | Washer, .625 x .281 x .063 | 12 |
| 18 | 2-00-02637 | Screw, 1/4-20 x 2.750 HHC | 4 |

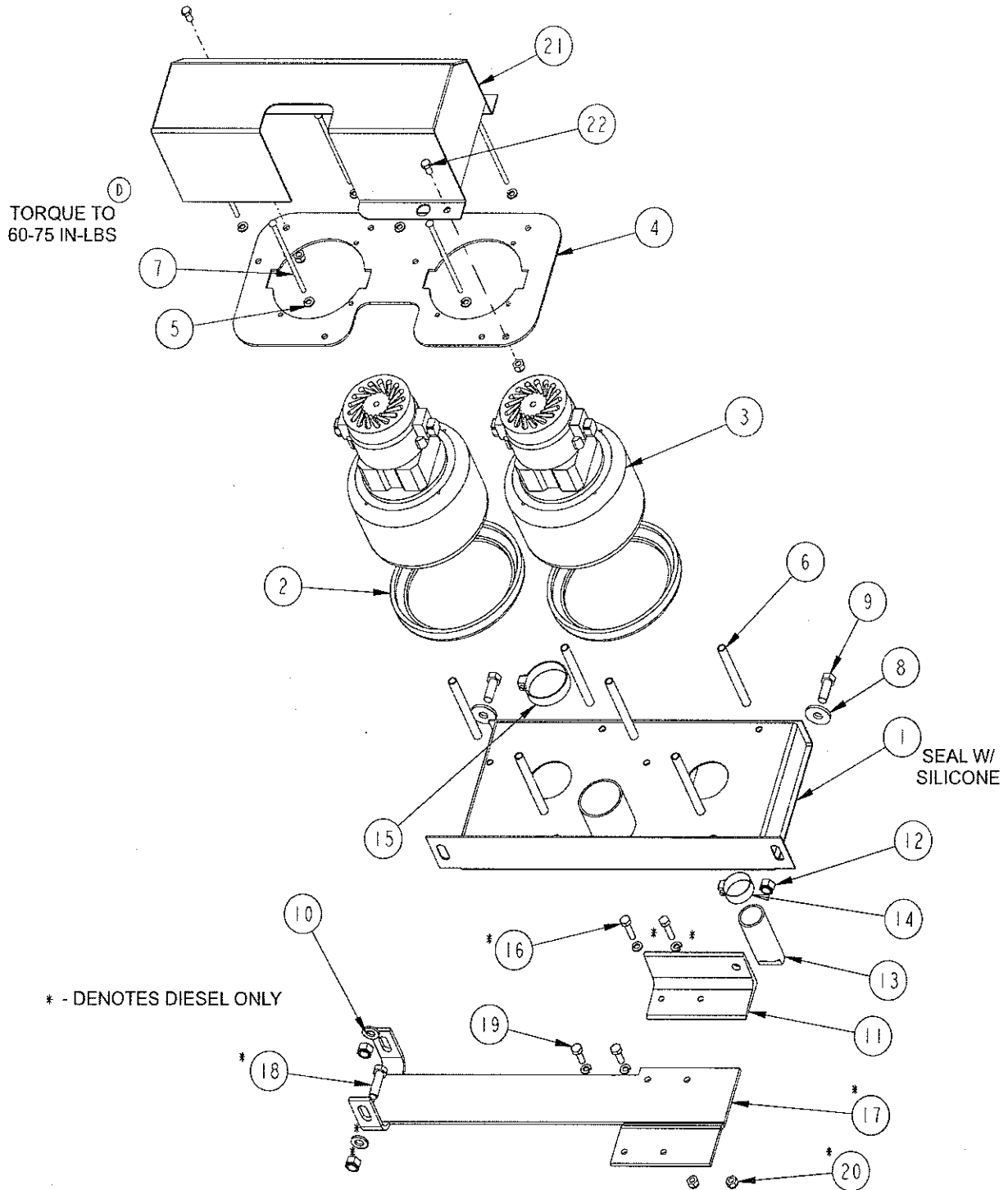
C1767/0206

VAC MOTOR MANIFOLD-PARTS LIST

| <u>KEY NO.</u> | <u>PART NUMBER</u> | <u>DESCRIPTION</u> | <u>QTY.</u> |
|----------------|--------------------|--------------------------------------|-------------|
| 1 | 7-48-00045 | Manifold - Vac Motor (Weldment) | 1 |
| 2 | 2-22-00003 | Ring - Motor Mounting | 2 |
| 3 | 0782-163 | Motor, Vacuum Fan, 36V W/Connections | 2 |
| 4 | 7-08-01109 | Bracket, Vac Fan | 1 |
| 5 | 2-00-00518 | Washer, Lock 1/4 Helical Spring | 10 |
| 6 | 7-75-01128 | Spacer | 6 |
| 7 | 2-00-00107 | Screw, #10-24 x 4.5 RD HD | 6 |
| 8 | 2-00-03266 | Washer | 2 |
| 9 | 2-00-00233 | Bolt, Hex Head, Finished 3/8-16 | 2 |
| 10 | 2-00-00402 | Washer, Plain 25/64 ID x 3/4 OD | 2 |
| 11 | 7-81-00249 | Support, Vacuum Manifold | 1 |
| 12 | 2-00-05297 | Nut, 3/8-16 Fiber Insert | 3 |
| 13 | 8-88-00016 | Dust Un-loader Valve | 1 |
| 14 | 2-00-02220 | Hose, Clamp | 1 |
| 15 | 2-00-02216 | Hose, Clamp | 1 |
| 16 | 2-00-00205 | Bolt, Hex Head, Finished 1/4-20 | 2 |
| 17 | 7-81-00258 | Support, Vac Manifold | 1 |
| 18 | 2-00-00209 | Bolt, Hex Head, Finished 3/8-16 | 1 |
| 19 | 2-00-00221 | Bolt, Hex Head, Finished 1/4-20 | 2 |
| 20 | 2-00-00641 | Nut, 1/4-20 | 4 |
| 21 | 7-72-00019 | Shroud, Vac Fan | 1 |
| 22 | 2-00-00219 | Bolt, Hex Head Finished 1/4-20 | 2 |

C1624e/0602

VAC MOTOR MANIFOLD-EXPLODED VIEW



FILTER SHAKER - PARTS LIST

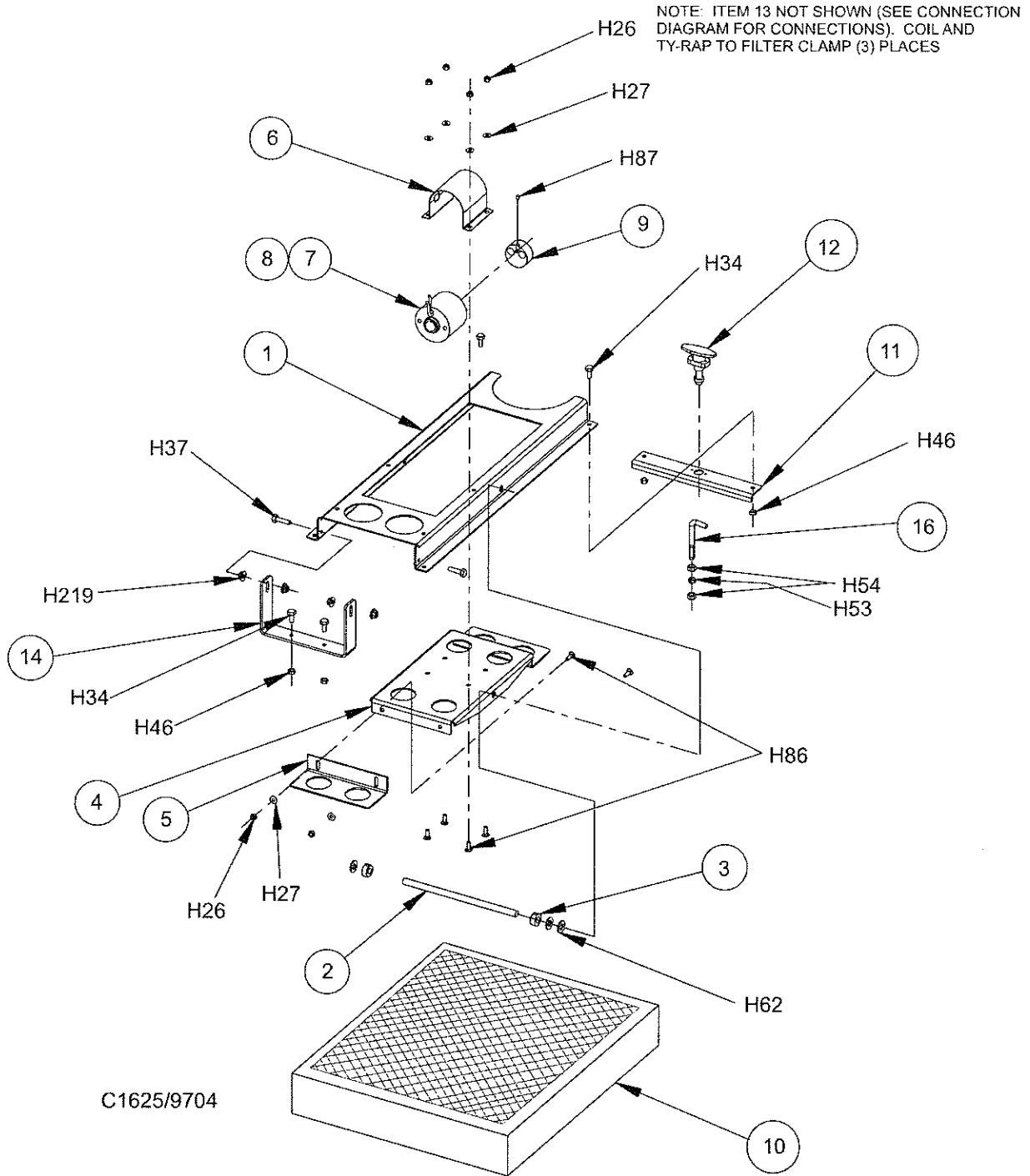
| <u>KEY NO.</u> | <u>PART NUMBER</u> | <u>DESCRIPTION</u> | <u>QTY.</u> |
|----------------|--------------------|------------------------------|-------------|
| 1 | 8-13-07139 | Clamp-Filter | 1 |
| 2 | 8-55-08119 | Pin-Shaker Pod | 1 |
| 3 | 2-00-03589 | ½" Stop Collar | 2 |
| 4 | 8-58-05284 | Plate-Shaker | 1 |
| 5 | 8-03-04302 | Arm-Shaker | 1 |
| 6 | 8-16-07406 | Filter Shaker Motor Cover | 1 |
| 7 | 0860-623 | Filter Shaker Motor (12 VDC) | 1 |
| 8 | 0860-624 | Filter Shaker Motor (36 VDC) | 1 |
| 9 | 8-89-04019 | Weight (Gas, LP, Diesel) | 1 |
| 10 | 8-24-04148 | Filter | 1 |
| | 8-24-04148-2 | POLY Filter Option | |
| 11 | 8-13-07121 | Mounting-Angle-Shaker | 1 |
| 12 | 8-41-00053 | Latch | 1 |
| 13 | 8-90-07433 | Wire-Hopper Shaker | 1 |
| 14 | 8-08-00826 | Mounting-Angle-Shaker | 1 |
| 15 | | | |
| 16 | 7-80-05080 | Stud-Latch | 1 |

HARDWARE USED:

| | | | |
|------|------------|--------------------------------------|---|
| H26 | 2-00-00641 | Nut, 1/4-20 Insert Fiber | 6 |
| H27 | 2-00-03702 | Washer, .625 x .281 x .063 | 6 |
| H34 | 2-00-00208 | Screw, 5-16-18 x .750 HHC | 4 |
| H37 | 2-00-00207 | Screw, 5/16-18 x 1.250 HHC | 2 |
| H46 | 2-00-00644 | Nut, 5/16-18 Insert Fiber | 4 |
| H53 | 2-00-02310 | Lock Washer, Helical Spring 3/8 Med. | 1 |
| H54 | 2-00-02360 | Nut, Hex 3/8-16 | 2 |
| H62 | 2-00-00405 | Flat Washer, 1.063 x .531 x .094 | 3 |
| H86 | 2-00-03575 | Carriage Bolt, 1/4-20 d .750 | 6 |
| H87 | 2-00-00263 | Setscrew, 1/4-20 x .250 HSKCP | 1 |
| H219 | 2-00-05359 | Nut, Serrated Flange, 5/16-18 | 4 |

C16250302

FILTER SHAKER - EXPLODED VIEW



CONSOLE - PARTS LIST

| <u>KEY NO.</u> | <u>PART NUMBER</u> | <u>DESCRIPTION</u> | <u>QTY.</u> |
|----------------|--------------------|-----------------------------------|-------------|
| 1 | 8-82-00026 | Key Switch | 1 |
| 2 | 8-82-00027 | Light Switch | 1 |
| 3 | 2-00-05375 | Switch Blank | 4 |
| 4 | 8-48-05032 | Fuel Gauge | 1 |
| 5 | 0760-495 | Warning Light Assembly | 1 |
| 6 | 8-08-00838 | Relay Panel | 1 |
| 7 | 8-64-05010 | Time Delay Relay | 1 |
| 8 | 8-64-05009 | Relay | 2 |
| 9 | 7-52-00147 | Instrument Panel | 1 |
| 10 | 7-18-00244 | Decal | 1 |
| 11 | 0775-246 | Diode Assy | 1 |
| 12 | 8-82-00062 | Switch | 1 |
| 13 | 7-52-00148 | Circuit Breaker Panel | 1 |
| 14 | 8-64-00008 | Circuit Breaker - 15 AMP | 8 |
| 15 | 2-00-04757 | Hole Plug | 2 |
| 16 | 7-48-05029 | Hour Meter | 1 |
| 17 | 7-82-00040 | Switch | 1 |
| 18 | 7-82-00039 | Switch | 2 |
| 19 | 0775-218 | Diode Assembly | 1 |
| 20 | 7-82-00041 | Switch | 1 |
| 21 | 0775-216 | Diode Assembly | 1 |
| 22 | 0795-115 | Harness | 1 |
| 23 | 8-11-00044 | Switch Boots | 8 |
| 24 | 2-00-05337 | Screw, #8-32 x .750 BHS Stainless | 12 |

HARDWARE USED:

| | | | |
|------|------------|-------------------------------|---|
| H12 | 2-00-01246 | Nut, Hex Fiber Insert #10-24 | 2 |
| H89 | 2-00-01372 | Nut, Fiber Insert #8-32 Steel | 8 |
| H100 | 2-00-03062 | Screw, #10-24 x .625 THM | 1 |
| H101 | 2-00-04897 | Screw, #10-24 x 1.250 THM | 1 |

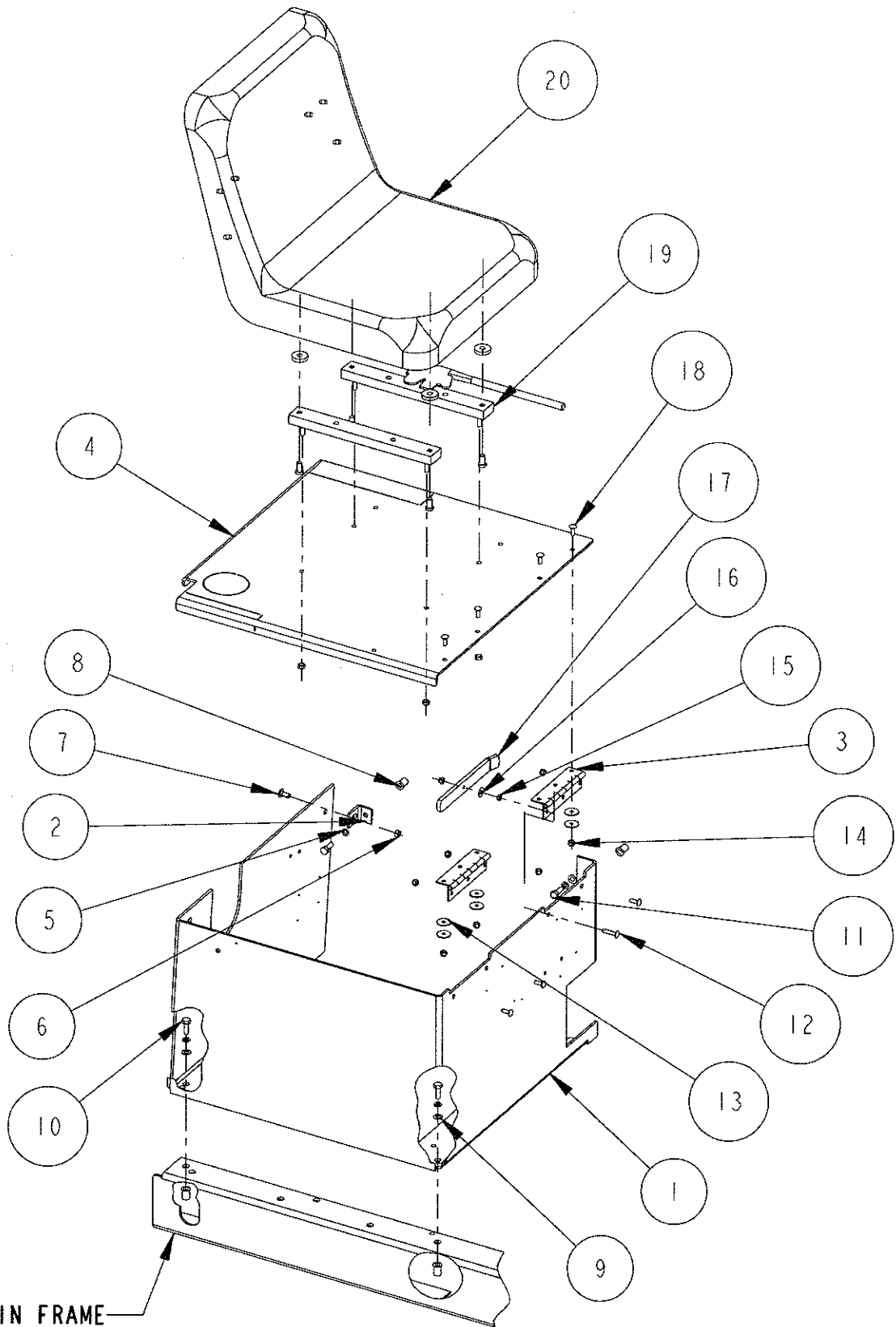
C1690/0402

SEAT AND FLOOR ASSEMBLY - PARTS LIST

| <u>KEY NO.</u> | <u>PART NUMBER</u> | <u>DESCRIPTION</u> | <u>QTY.</u> |
|----------------|--------------------|--|-------------|
| 1 | 7-33-05138 | Housing - Seat & Fuel (Battery) | 1 |
| 1 | 7-33-05124 | Housing - Seat & Fuel (Gas, LP, Diesel) | 1 |
| 2 | 8-08-00834 | Bracket | 1 |
| 3 | 8-32-00044 | Hinge - Door | 2 |
| 4 | 8-52-00186 | Panel - Seat Mtg | 1 |
| 5 | 2-00-00530 | Lock Washer, 5/16 HS Med (Battery) | 2 |
| 5 | 2-00-00530 | Lock Washer, 5/16 HS Med (Gas, LP, Diesel) | 4 |
| 6 | 2-00-00644 | Nut, 5/16-18 Insert Fiber | 5 |
| 7 | 2-00-03569 | Carriage Bolt, 5/16-18 x .750 | 1 |
| 8 | 2-00-05330 | Threaded Insert, 5/16-18 (Battery) | 5 |
| 8* | 2-00-05330 | Threaded Insert, 5/16-18 (Gas, LP, Diesel) | 4 |
| 9 | 2-00-00409 | Flat Washer, .687 x .344 x .062 | 3 |
| 10 | 2-00-00206 | Screw, 5/16-18 x 1.000 HHC | 2 |
| 11 | 2-00-02708 | Screw, 5/16-18 x 1.000HMM | 2 |
| 12 | 2-00-01951 | Carriage Bolt, 1/4-20 x 1.250 | 1 |
| 13 | 2-00-01676 | Flat Washer, 1.062 x .265 x .062 | 6 |
| 14 | 2-00-00641 | Nut, 1/4-20 Insert Fiber | 8 |
| 15 | 2-00-00594 | Nut, Hex 1/4-20 x .437 x .218 | 1 |
| 16 | 7-23-03048 | Washer-Spring-Shakeproof | 1 |
| 17 | 8-41-00064 | Latch - Seat Panel | 1 |
| 18 | 2-00-03575 | Carriage Bolt, 1/4-20 x .750 | 7 |
| 19 | 7-72-05005 | Seat (Slide) Adjuster Kit | 1 |
| 20 | 7-69-00008 | Seat | 1 |

C1617/0903

SEAT AND FLOOR ASSEMBLY - EXPLODED VIEW



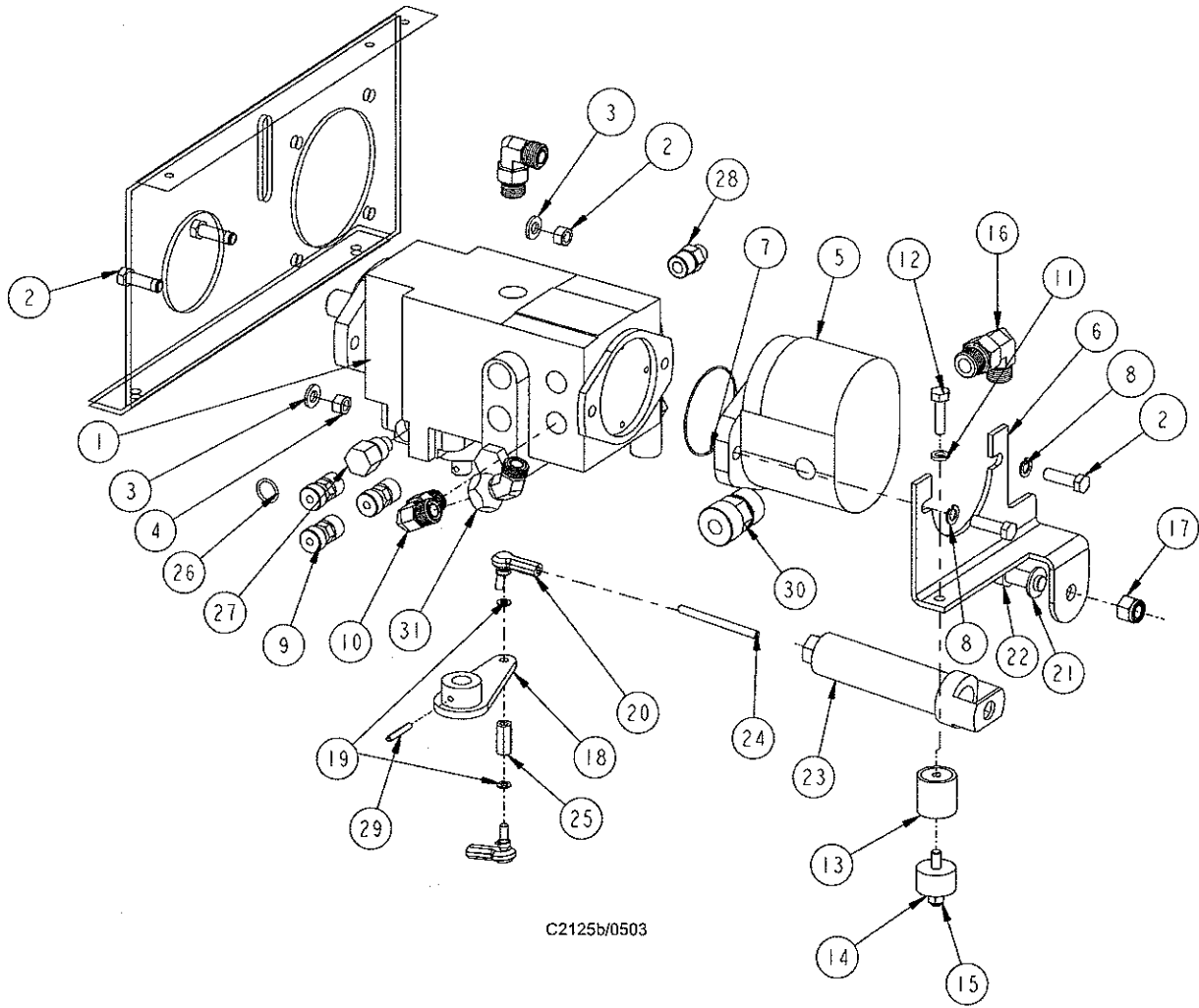
REF MAIN FRAME

PUMP ASSEMBLY WHEEL DRIVE - BATTERY - PARTS LIST

| <u>KEY NO.</u> | <u>PART NUMBER</u> | <u>DESCRIPTION</u> | <u>QTY.</u> |
|----------------|--------------------|-----------------------------------|-------------|
| 1 | 7-60-05047 | Pump, Piston | 1 |
| 2 | 2-00-00209 | Bolt, Hex Head 3/8-16 x 1.25 | 4 |
| 3 | 2-00-00402 | Flat Washer, 25/64 ID x 3/4 OD | 2 |
| 4 | 2-95-04182 | Nut , 3/8-16 Hex Stop | 2 |
| 5 | 0885-067 | Pump, Gear | 1 |
| 6 | 8-08-00781 | Bracket, Hydroback | 1 |
| 7 | 0880-404 | Assembly Kit, Cessna Pumps | 1 |
| 8 | 2-00-02310 | Lock Washer, 3/8 Helical Spring | 2 |
| 9 | 2-00-04970 | Fitting, Connector 8 ORS-#8 SAE | 3 |
| 10 | 2-00-04885 | Fitting, 90° Elbow (O-Ring) | 2 |
| 11 | 2-00-00530 | Lock Washer, 5/16 | 1 |
| 12 | 2-00-00207 | Screw, Hex Head, 5/16-18 x 1.25 | 1 |
| 13 | 7-50-05152 | Pad, Mounting | 1 |
| 14 | 8-50-05037 | Pad, Radiator Mount | 1 |
| 15 | 2-00-00644 | Nut, 5/16-18 Insert Fiber Hex | 1 |
| 16 | 2-00-04921 | Fitting, 10 SAE 90° , 8 ORS | 1 |
| 17 | 2-00-04936 | Nut, 1/2-13 Insert Fibre Lock | 1 |
| 18 | 7-03-04173 | Arm, Pump Control | 1 |
| 19 | 2-00-00501 | Washer, .25 ID x .44 OD x .046 | 3 |
| 20 | 7-25-02050 | Rod End, Spherco | 2 |
| 21 | 2-00-00405 | Flat Washer, 1.063 x .531 x .094 | 1 |
| 22 | 2-00-00240 | Screw, 1/2-13 x 1.250 HHC | 1 |
| 23 | 8-16-00025 | Control, Centering | 1 |
| 24 | 7-66-00147 | Rod, Centering Control Adjustment | 1 |
| 25 | 7-25-02082 | Nut, Special | 1 |
| 26 | 2-00-04983 | O-Ring - 8 For SAE O-Ring Boss | 1 |
| 27 | 7-78-05023 | Stop, Reverse Speed Pump | 1 |
| 28 | 2-00-05264 | Fitting, Connector #8SAE - #40RS | 1 |
| 29 | 2-00-00880 | Roll Pin | 1 |
| 30 | 2-00-04971 | Fitting, STR #12 ORS x 16 SAE | 1 |
| 31 | 2-00-05689 | Fitting, -8 ORS 45° Swivel Elbow | 1 |

C2125b/0503

PUMP ASSEMBLY WHEEL DRIVE - BATTERY - EXPLODED VIEW



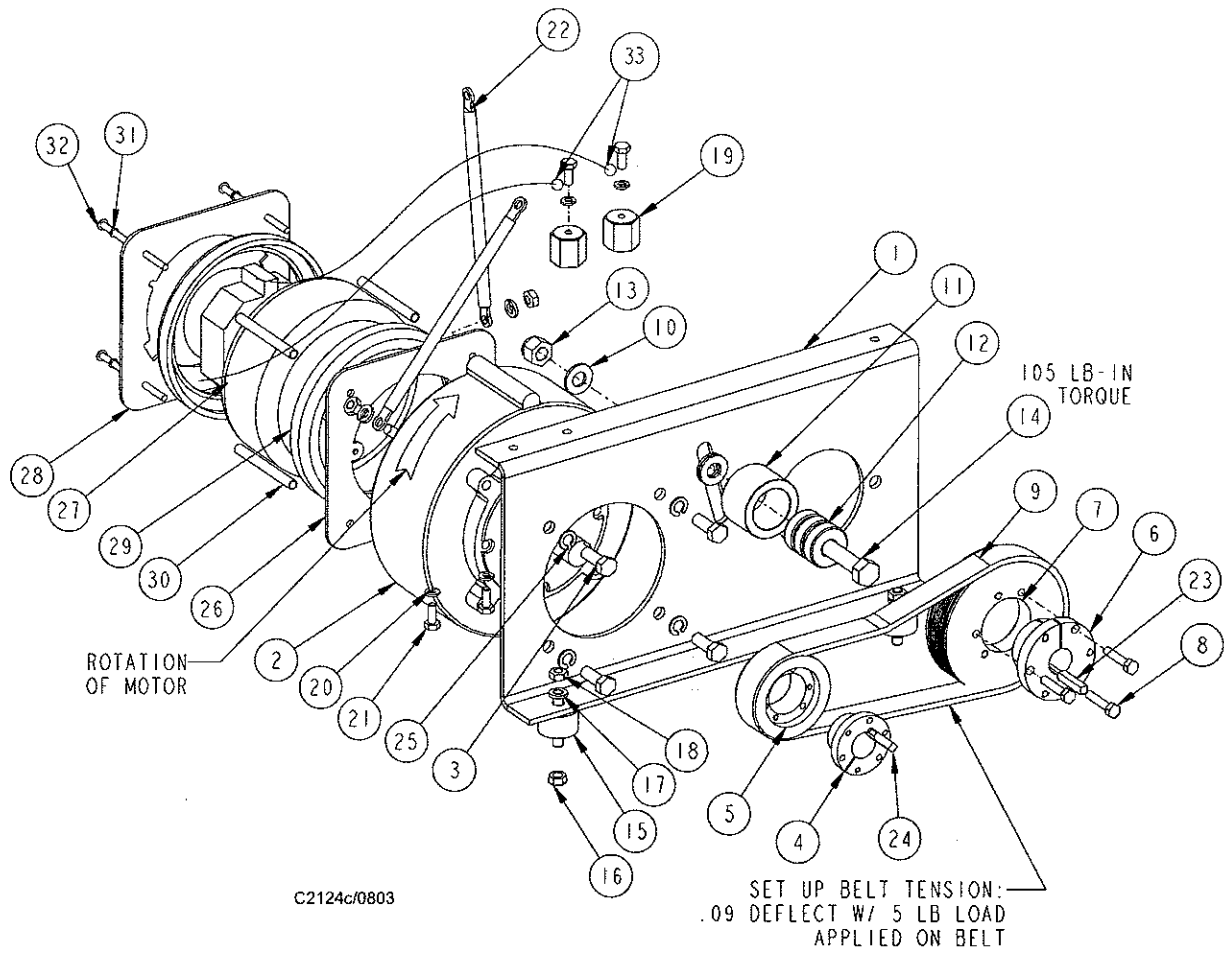
C2125b/0503

PUMP ASSEMBLY WHEEL DRIVE-BATTERY Cont.-PARTS LIST

| <u>KEY NO.</u> | <u>PART NUMBER</u> | <u>DESCRIPTION</u> | <u>QTY.</u> |
|----------------|--------------------|-------------------------------------|-------------|
| 1 | 7-81-00244 | Support, Motor/Pump Wheel Drive | 1 |
| 2 | 0782-149 | Lynch Motor, 36V, 150 Amp | 1 |
| 3 | 2-00-00233 | Bolt, Hex Head, Fin., 3/8-16 x 1.00 | 4 |
| 4 | 7-09-01150 | Bushing, Aux. Electrical Motor | 1 |
| 5 | 7-60-00190 | Poly - V Sheave | 1 |
| 6 | 7-09-01142 | Bushing Aux. Pump | 1 |
| 7 | 7-60-00189 | Poly - V Sheave | 1 |
| 8 | 2-00-00222 | Screw, Hex Head, 1/4-20 x 1.25 LG | 3 |
| 9 | 2-00-05483 | Poly- V Belt | 1 |
| 10 | 2-00-00405 | Flat Washer, 1.063 x .531 x .094 | 3 |
| 11 | 7-60-00191 | Pulley , Idler | 1 |
| 12 | 2-00-03306 | Ball Bearing | 3 |
| 13 | 2-00-04936 | Nut, 1/2-13 Fibre Lock | 1 |
| 14 | 2-00-02682 | Screw, 1/2-13 x 2.75 LG | 1 |
| 15 | 8-50-05037 | Pad, Radiator Mount | 2 |
| 16 | 2-00-00644 | Nut, 5/16-18, Insert Fiber Hex | 2 |
| 17 | 2-00-00530 | Lock Washer, 5/16 | 4 |
| 18 | 2-00-00585 | Nut, Hex. 5/16-18 x .500 x .265 | 4 |
| 19 | 8-35-00021 | Isolator | 2 |
| 20 | 2-00-00518 | Lock Washer, Helical Spring | 4 |
| 21 | 2-00-00220 | Screw, 1/4-20 x .625 HHC | 4 |
| 22 | 8-90-07448 | Electrical Wire - 9-1/2" LG | 2 |
| 23 | 2-00-00706 | Key, 1/4" SQ x 1-1/4 | 1 |
| 24 | 2-00-05492 | Key, .220 x .25 | 1 |
| 25 | 2-00-02310 | Lock Washer, 3/8 Helical Spring | 4 |
| 26 | 7-58-05329 | Plate, Vac Motor Mount | 1 |
| 27 | 0782-104 | Vac Motor (2-stage, 36 VDC) | 1 |
| 28 | 7-58-05213 | Plate, Vac Motor Mount | 1 |
| 29 | 2-22-00003 | Gasket | 2 |
| 30 | 7-75-01243 | Spacer | 4 |
| 31 | 2-00-00519 | Lock Washer, #10-24 Helical Spring | 4 |
| 32 | 2-00-02933 | Screw, #10-24 x 3.5 LG | 4 |
| 33 | 2-00-04284 | Terminal, .31 Ins. 12-10 AWG | 2 |

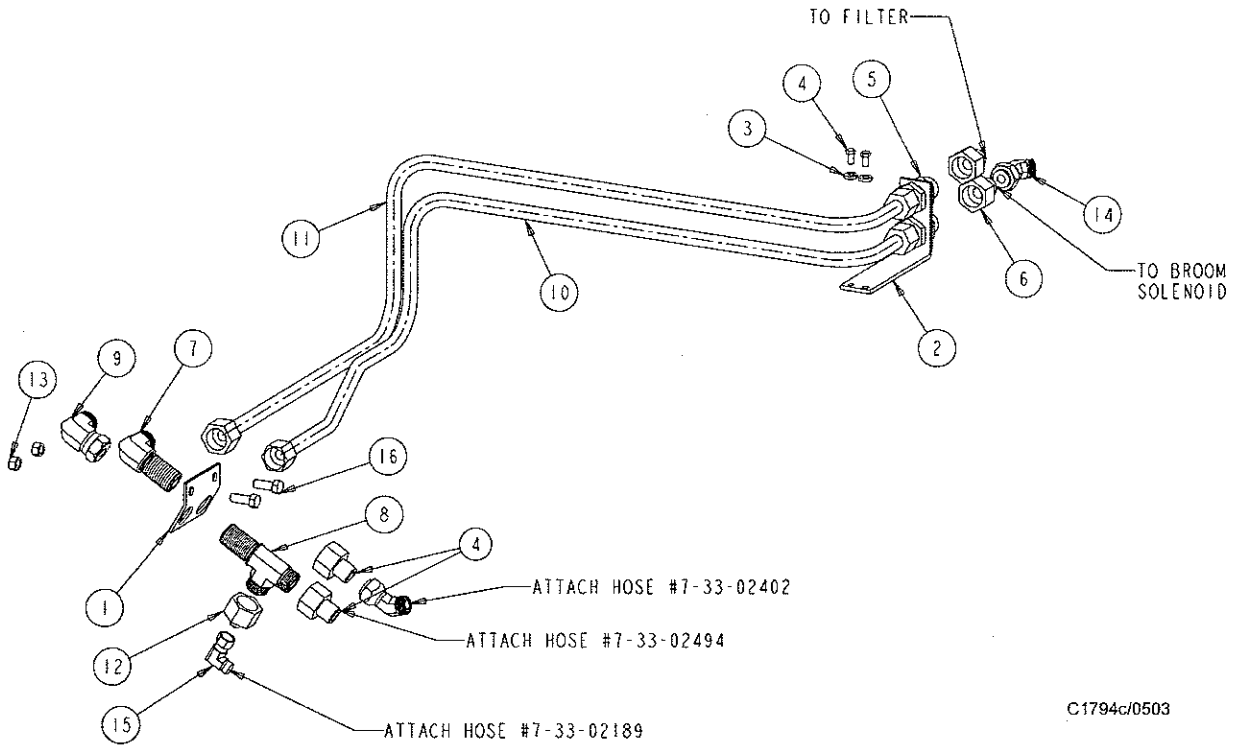
C2124c/0803

PUMP ASSEMBLY WHEEL DRIVE-BATTERY Cont.-EXPLODED VIEW



C2124c/0803

HYDRAULIC TUBES

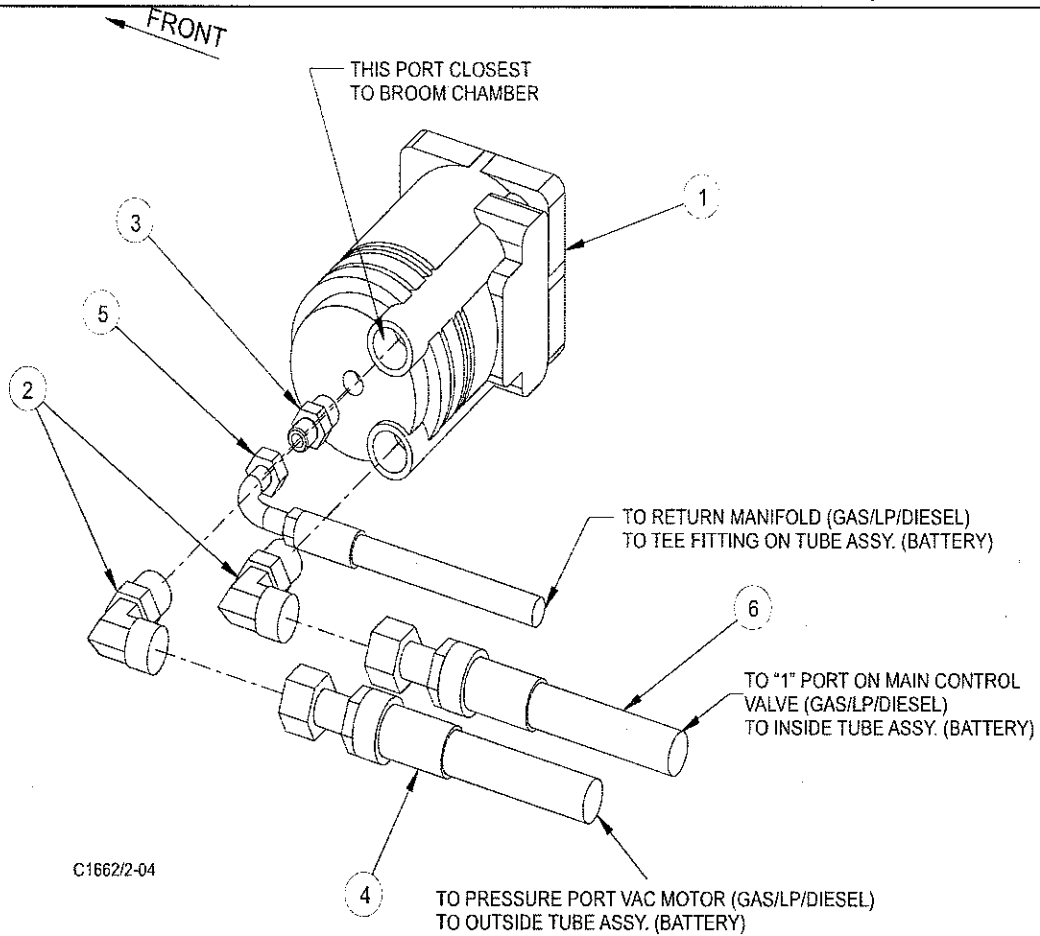


C1794c/0503

| KEY NO. | PART NUMBER | DESCRIPTION | QTY. |
|---------|-------------|--|------|
| 1 | 7-08-01100 | Bracket, Broom Drive Tube | 1 |
| 2 | 7-08-01026 | Bracket, Hyd Tube | 1 |
| 3 | 2-00-04687 | Lock Washer, 1/4 Helical Spring | 2 |
| 4 | 2-00-00219 | Bolt, Hex Head, 1/4-20 x .500 | 2 |
| 5 | 2-00-05493 | Bulkhead Union, 5/8 | 2 |
| 6 | 2-00-05494 | Fitting, ORFS Female Swivel to ORFS Tube End | 4 |
| 7 | 2-00-05541 | Fitting, 10 ORS Bulkhead Elbow | 1 |
| 8 | 2-00-05542 | Fitting, 10 ORS Bulkhead Running T | 1 |
| 9 | 2-00-05543 | Fitting, 10 ORS Swivel Elbow | 1 |
| 10 | 7-87-02206 | Tube, Broom Return Line | 1 |
| 11 | 7-87-02207 | Tube, Broom Pressure Line | 1 |
| 12 | 2-00-05544 | Fitting, Reducer -10 to -4 ORS | 1 |
| 13 | 2-95-04182 | Nut, 3/8-16 Elastic Stop Hex | 2 |
| 14 | 2-00-05689 | Fitting, -8 ORS Swivel Elbow, 45 | 2 |
| 15 | 2-00-05545 | Fitting, -4 ORS Swivel Elbow, 90 | 1 |
| 16 | 2-00-00233 | Bolt, Hex Head, 3/8-16 x 1.00 | 2 |

C1794c/0503

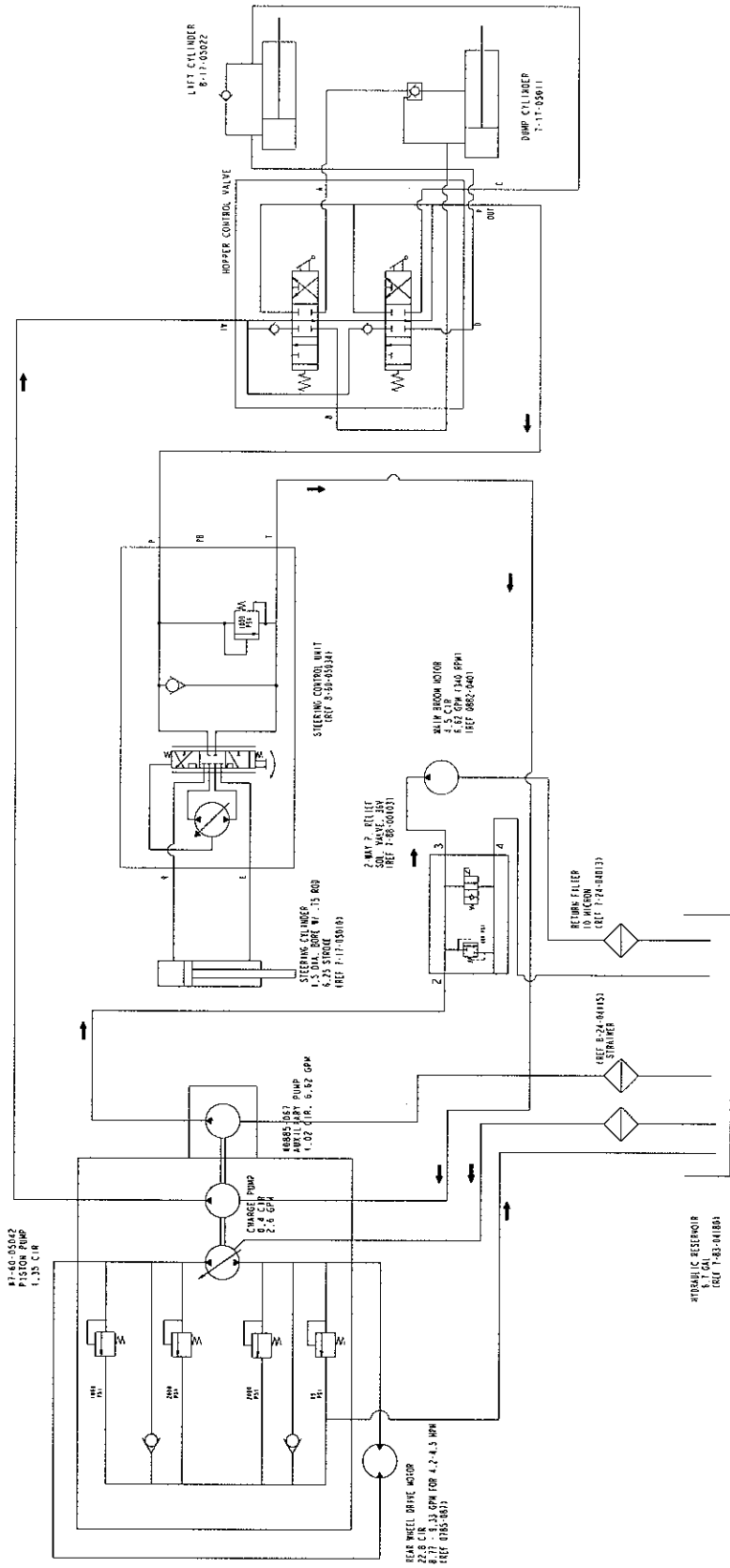
HYDRAULIC MAIN BROOM - GAS/LP/DIESEL (VARIABLE DUMP)



| KEY NO. | PART NUMBER | DESCRIPTION | QTY. |
|---------|-------------|------------------------------|------|
| 1 | 0882-040 | Motor | 1 |
| 2 | 2-00-04885 | Fitting #8 SAE to #8 ORS 90° | 2 |
| 3 | 2-00-04895 | Fitting #4 SAE to #4 ORS | 1 |
| 4 | 7-33-02192 | Hose, #8 ORS STR-90° 90.00" | Ref |
| 5 | 8-33-02200 | Hose, #4 ORS STR-90° 55.00" | Ref |

C1662/0403

HYDRAULIC SCHEMATIC - BATTERY

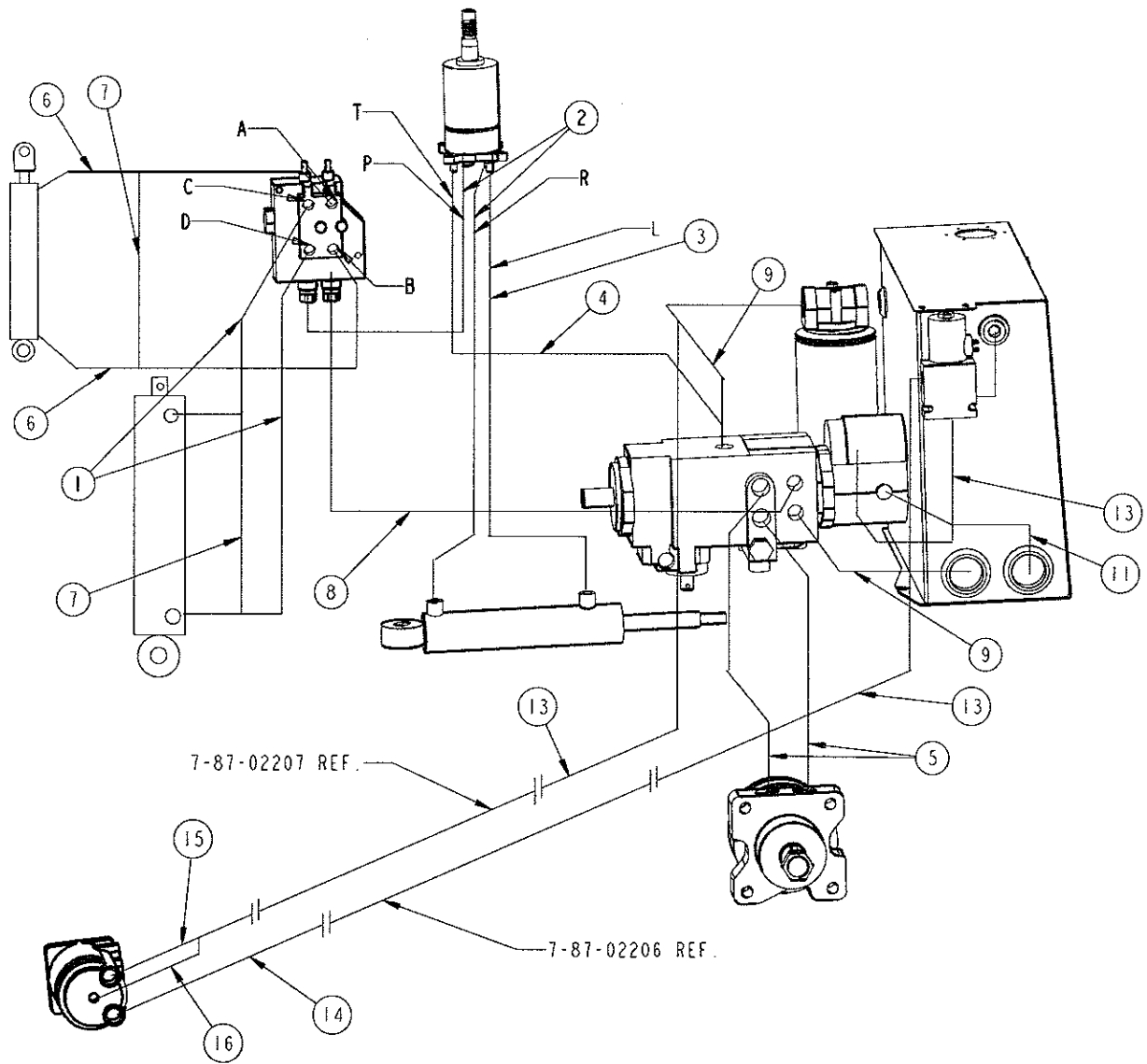


HYDRAULIC HOSE DIAGRAM-BATTERY (VD) -PARTS LIST

| <u>KEY NO.</u> | <u>PART NUMBER</u> | <u>DESCRIPTION</u> | <u>QTY.</u> |
|----------------|--------------------|-----------------------------------|-------------|
| 1 | 7-33-02495 | Hose #4, STR x Swivel 90°, 76" LG | 2 |
| 2 | 8-33-02183 | Hose #4, STR x STR, 49" LG | 2 |
| 3 | 8-33-02185 | Hose #4, STR x STR, 56" LG | 1 |
| 4 | 7-33-02194 | Hose #4, STR x 90°, 80" LG | 2 |
| 5 | 7-33-02447 | Hose #8, 22.5 x 90°, 43" LG | 2 |
| 6 | 8-33-02278 | Hose #4, STR x STR 130" LG | 2 |
| 7 | 8-33-02178 | Hose #4, STR x STR, 14" LG | 2 |
| 8 | 7-33-02347 | Hose #8, STR x 90°, 49" LG | 1 |
| 9 | 8-33-02193 | Hose #8, STR x STR 18-1/4 LG | 2 |
| 10 | | | |
| 11 | 7-33-02449 | Hose #12, STR x 90°, 13-3/4" LG | 1 |
| 12 | | | |
| 13 | 8-33-02201 | Hose #8, STR x 45°, 18" LG | 3 |
| 14 | 7-33-02402 | Hose #8, STR x 90°, 19" LG | 1 |
| 15 | 7-33-02494 | Hose #8, STR x LG 90, 17" LG | 1 |
| 16 | 7-33-02189 | Hose #4, 90° x 90°, 26" LG | 1 |

c1692e/0602

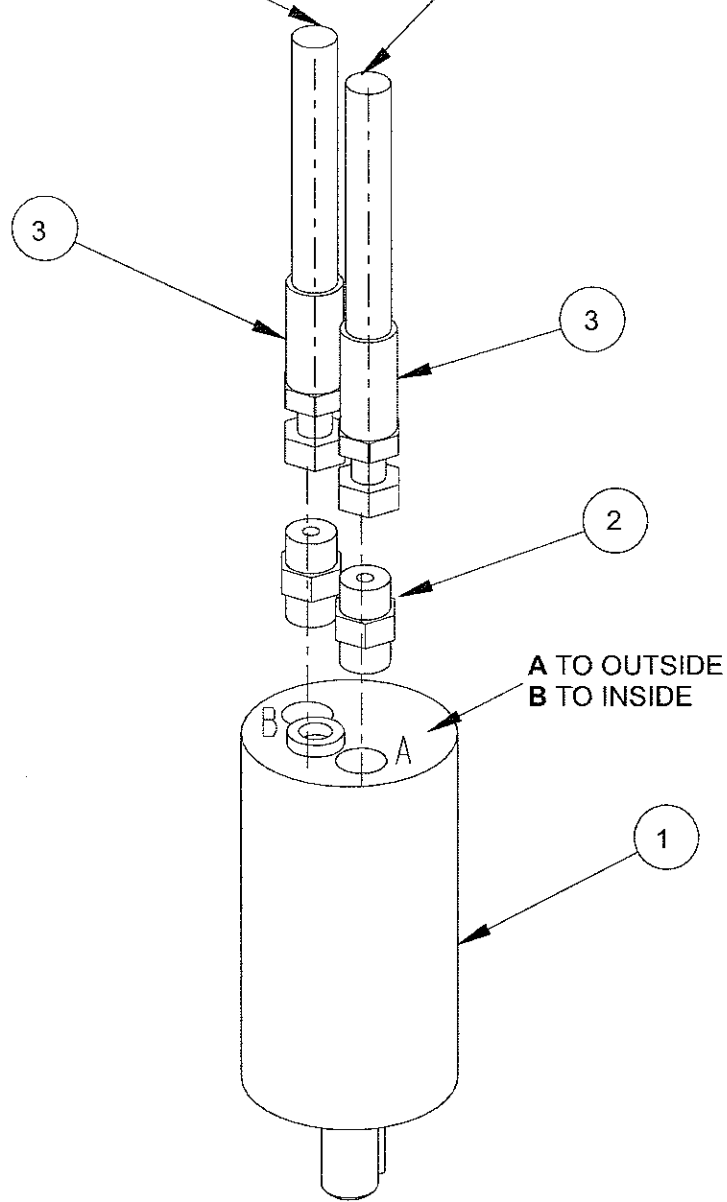
HYDRAULIC HOSE DIAGRAM-BATTERY (VD) -EXPLODED VIEW



SIDE BROOM HYDRAULICS

TO PORT "B" ON CYLINDER
CONTROL VALVE

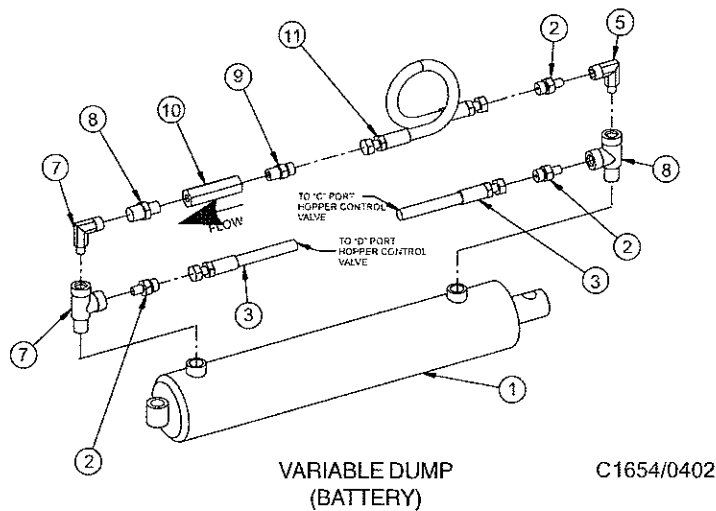
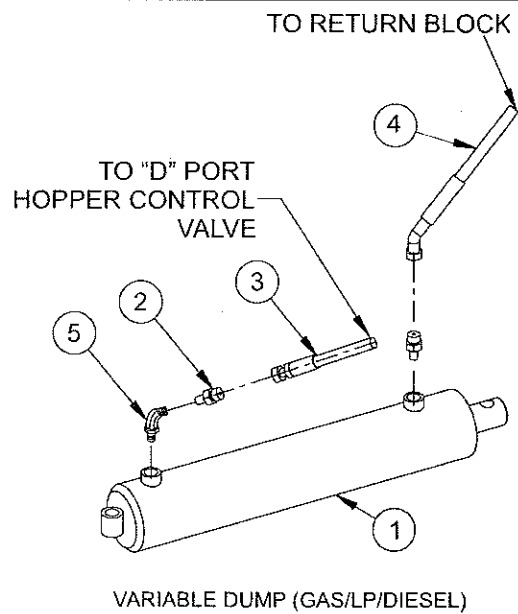
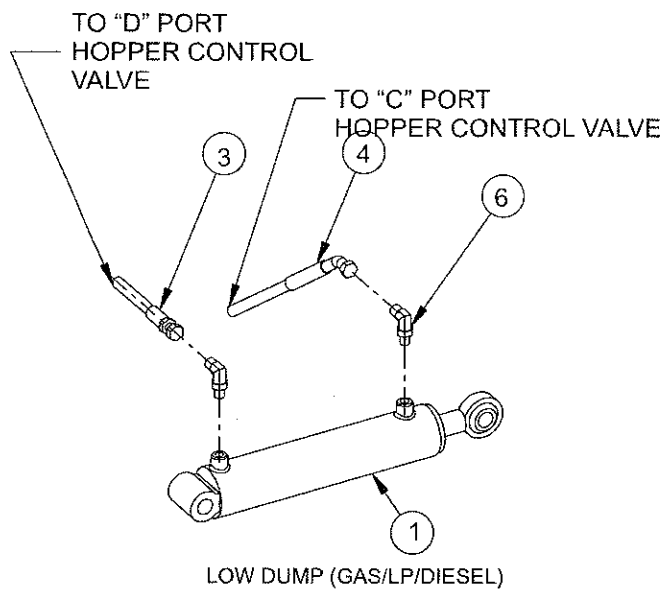
TO PORT "A" ON CYLINDER
CONTROL VALVE



| <u>KEY NO.</u> | <u>PART NUMBER</u> | <u>DESCRIPTION</u> | <u>QTY.</u> |
|----------------|--------------------|--------------------|-------------|
| 1 | 0885-061 | Motor | 1 |
| 2 | 2-00-04918 | Straight Fitting | 2 |
| 3 | 7-33-02353 | Hose, 98.5" | Ref |

C1658/0402

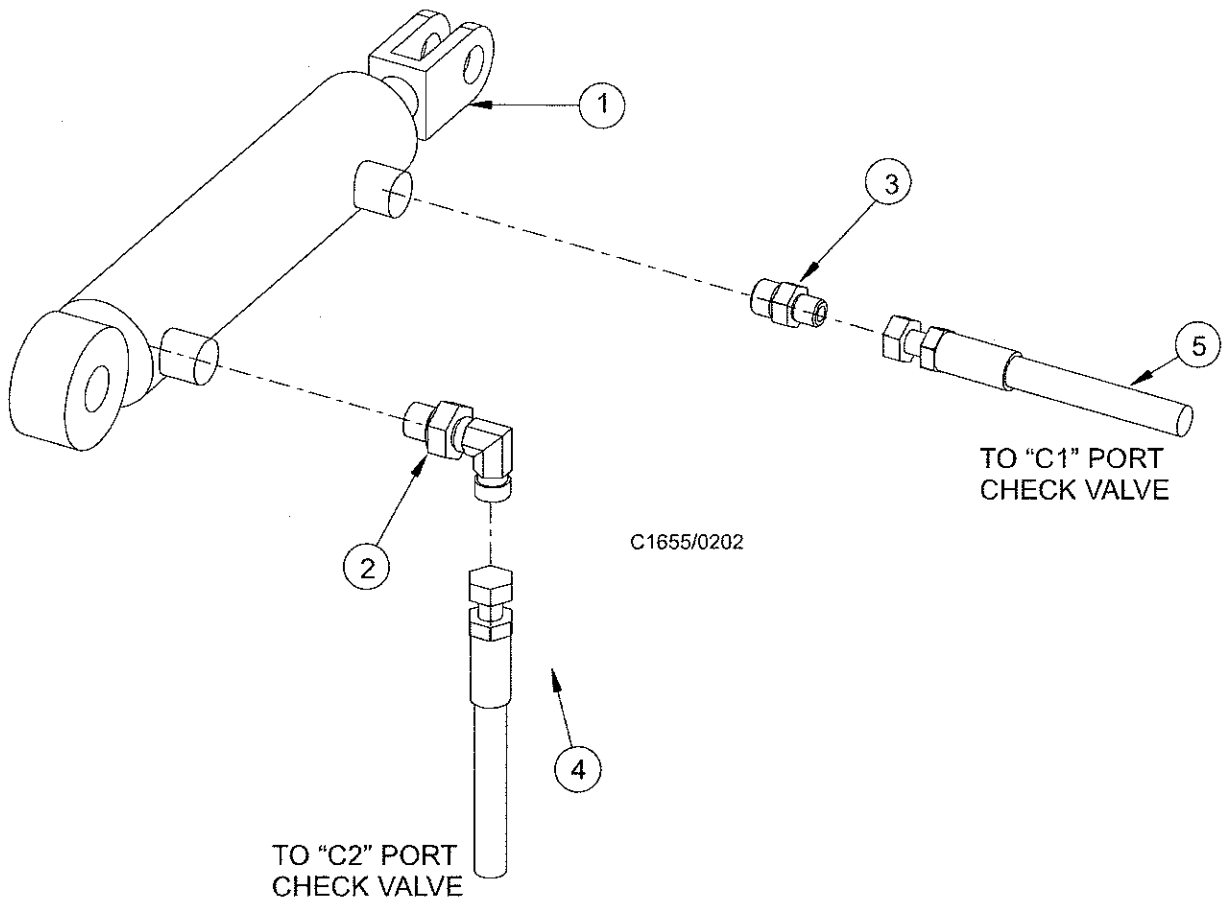
HOPPER LIFT HYDRAULICS



| KEY NO. | PART NUMBER | DESCRIPTION | QTY. |
|---------|-------------|--------------------------------------|------|
| 1 | 8-17-05022 | Cylinder, Rotation (Vari Dump) | 1 |
| 2 | 2-00-05054 | Fitting, 9/16-18 to 3/8-18 Adapter | 2 |
| 3 | 7-33-02352 | Hose, #4 ORS 0-90° Swivel 71" | Ref |
| 4 | 7-33-02355 | Hose, #4 ORS 0-45° 50.5" | Ref |
| 5 | 2-00-04589 | Fitting, 3/8 to 3/8 90° Street Elbow | 1 |
| 6 | 2-00-04892 | Fitting, 90° elbow (O-Ring) | 2 |
| 7 | 2-00-04462 | Fitting Street Tee (3/8) | 2 |
| 8 | 2-00-04628 | Fitting, STR 3/8 to 1/4 | 1 |
| 9 | 2-00-04997 | Fitting ORS NPT Adapter (#4-1/4) | 1 |
| 10 | 8-88-00014 | Valve, Ball Check | 1 |
| 11 | 8-33-02178 | Hose, .25" ID 15.0" IG | 1 |

C1654/0402

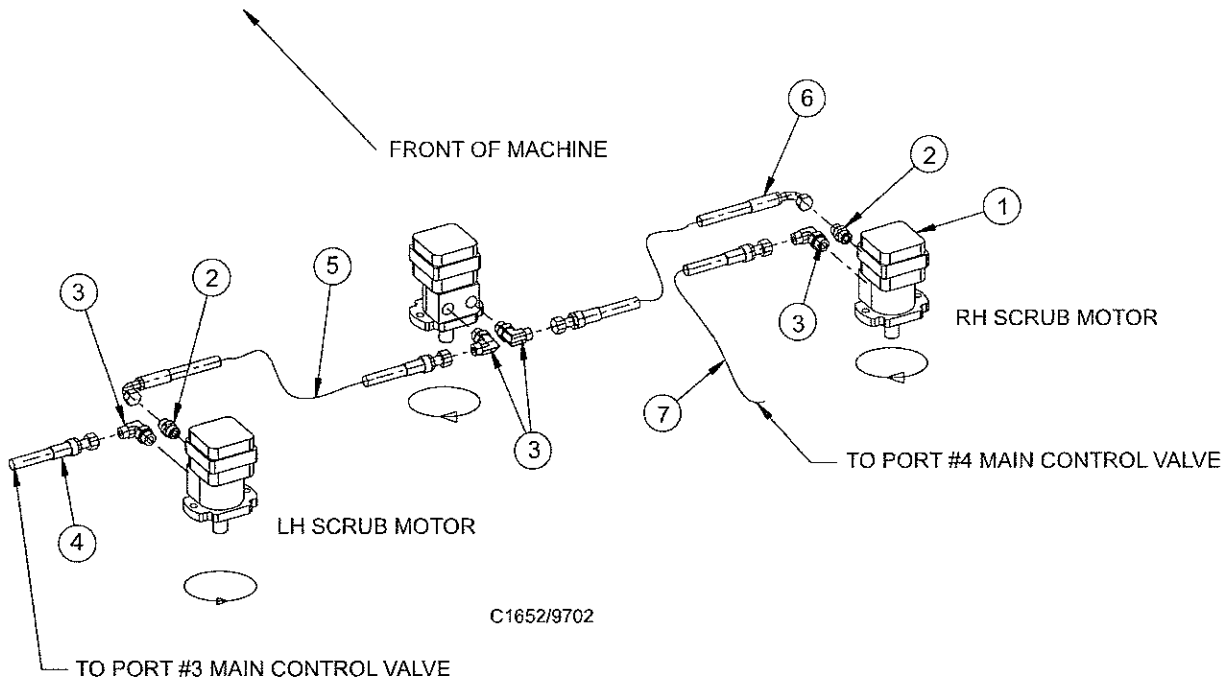
HOPPER DUMP DOOR HYDRAULICS



| <u>KEY NO.</u> | <u>PART NUMBER</u> | <u>DESCRIPTION</u> | <u>QTY.</u> |
|----------------|--------------------|----------------------|-------------|
| 1 | 7-17-05011 | Cylinder | 1 |
| 2 | 2-00-04926 | #4 SAE to #4 ORS 90° | 1 |
| 3 | 2-00-04895 | #4 SAE to #4 ORS | 1 |
| 4 | 7-33-02342 | #4 Hose STR 92.5" | Ref |
| 5 | 8-33-02216 | #4 Hose STR 88.0" | Ref |

C1655/0402

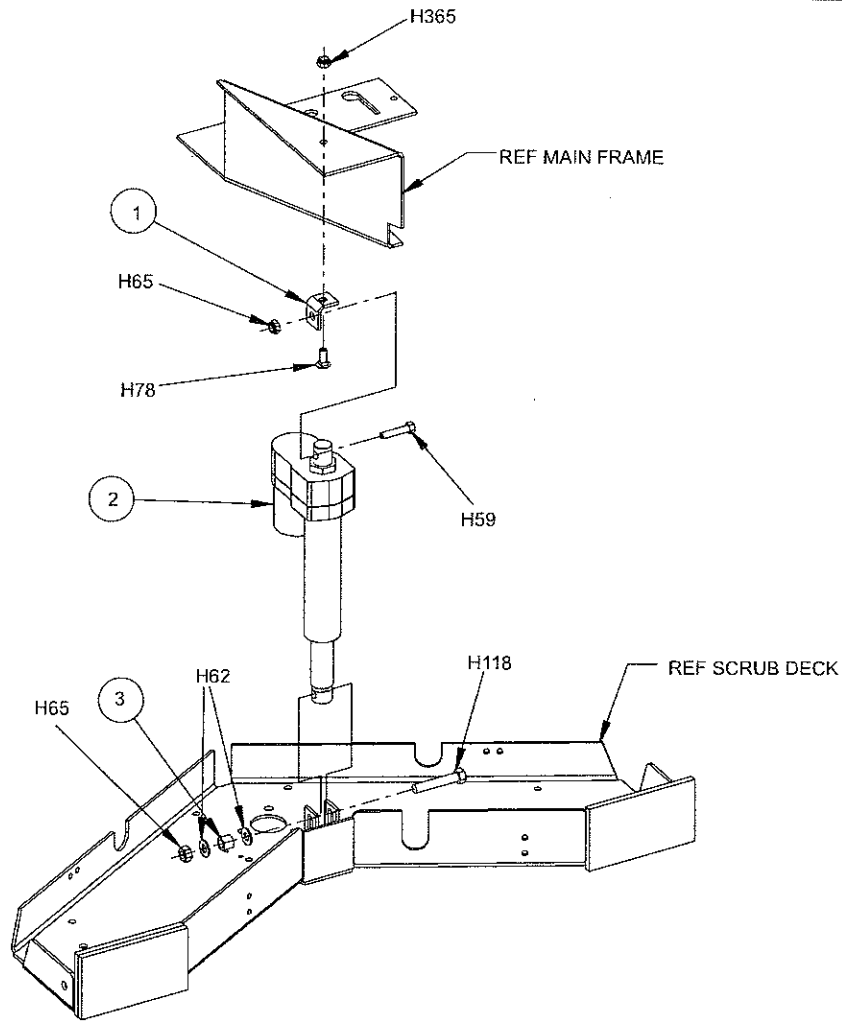
SCRUB DECK HYDRAULICS



| KEY NO. | PART NUMBER | DESCRIPTION | QTY. |
|---------|-------------|--------------------------|------|
| 1 | 0782-111 | Hydraulic Motor | 3 |
| 2 | 2-00-04974 | #10 SAE to #8 ORS | 2 |
| 3 | 2-00-04921 | #10 SAE to #8 ORS, 90° | 4 |
| 4 | 7-33-02347 | #8 Hose STR - 90° 49.0" | Ref. |
| 5 | 7-33-02354 | #8 Hose STR - 90° 13.5" | Ref. |
| 5* | 7-33-02327 | #8 Hose STR - 90° 15.25" | Ref. |
| 6 | 7-33-02327 | #8 Hose STR - 90° 15.25" | Ref. |
| 6* | 7-33-02326 | #8 Hose STR - 90° 15.25" | Ref. |
| 7 | 8-33-02191 | #8 Hose ORS STR 56.5" | Ref. |

* These hoses are for 53" Scrub Deck
C1652

SCRUB DECK LIFT HYDRAULICS - BATTERY



C1769/0302

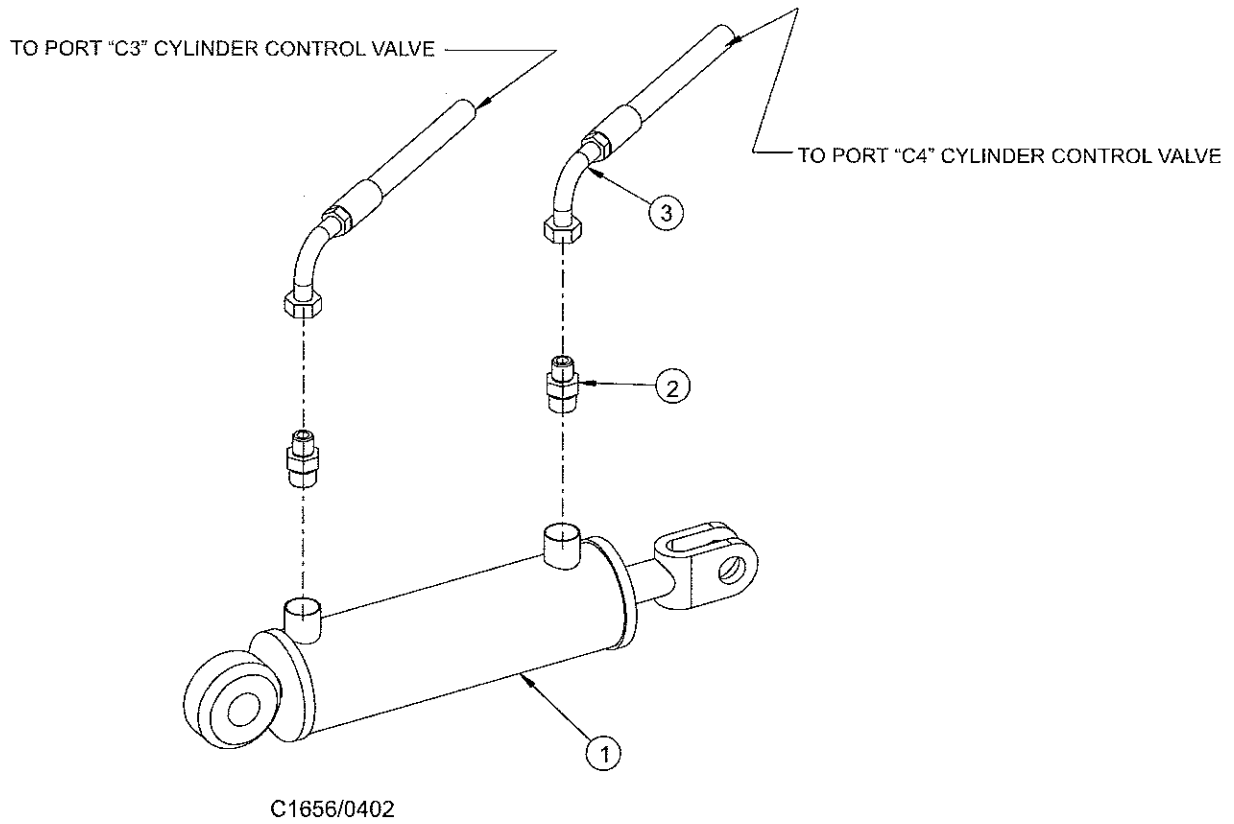
| <u>KEY NO.</u> | <u>PART NUMBER</u> | <u>DESCRIPTION</u> | <u>QTY.</u> |
|----------------|--------------------|----------------------------------|-------------|
| 1 | 7-31-07025 | Hanger-Brush Lift | 1 |
| 2 | 0782-130 | 36 Volt-Dump Door Actuator | 1 |
| 3 | 2-00-03151 | Spacer- 1/2 ID x 3/4 OD x 5/8 LG | 2 |

HARDWARE USED:

| | | | |
|------|------------|----------------------------------|---|
| H59 | 2-00-00242 | Screw, 1/2-13 x 2.250 HHC | 1 |
| H62 | 2-00-00405 | Flat Washer, 1.063 x .531 x .094 | 2 |
| H65 | 2-00-04936 | Nut, 1/2-13 Fiber Lock | 3 |
| H78 | 2-00-05187 | Carriage Bolt, 3/8-16 x 1.250 | 1 |
| H118 | 2-00-02618 | Screw, 1/2-13 x 3.500 HHC | 1 |
| H365 | 2-00-04182 | Bushing | 1 |

C1769/0302

SQUEEGEE LIFT HYDRAULICS



| <u>KEY NO.</u> | <u>PART NUMBER</u> | <u>DESCRIPTION</u> | <u>QTY.</u> |
|----------------|--------------------|--------------------------|-------------|
| 1 | 7-17-05019 | Cylinder | 1 |
| 2 | 2-00-04895 | #4 SAE to #4 ORS | 2 |
| 3 | 7-33-02190 | #4 Hose ORS STR-90 67.0" | Ref |

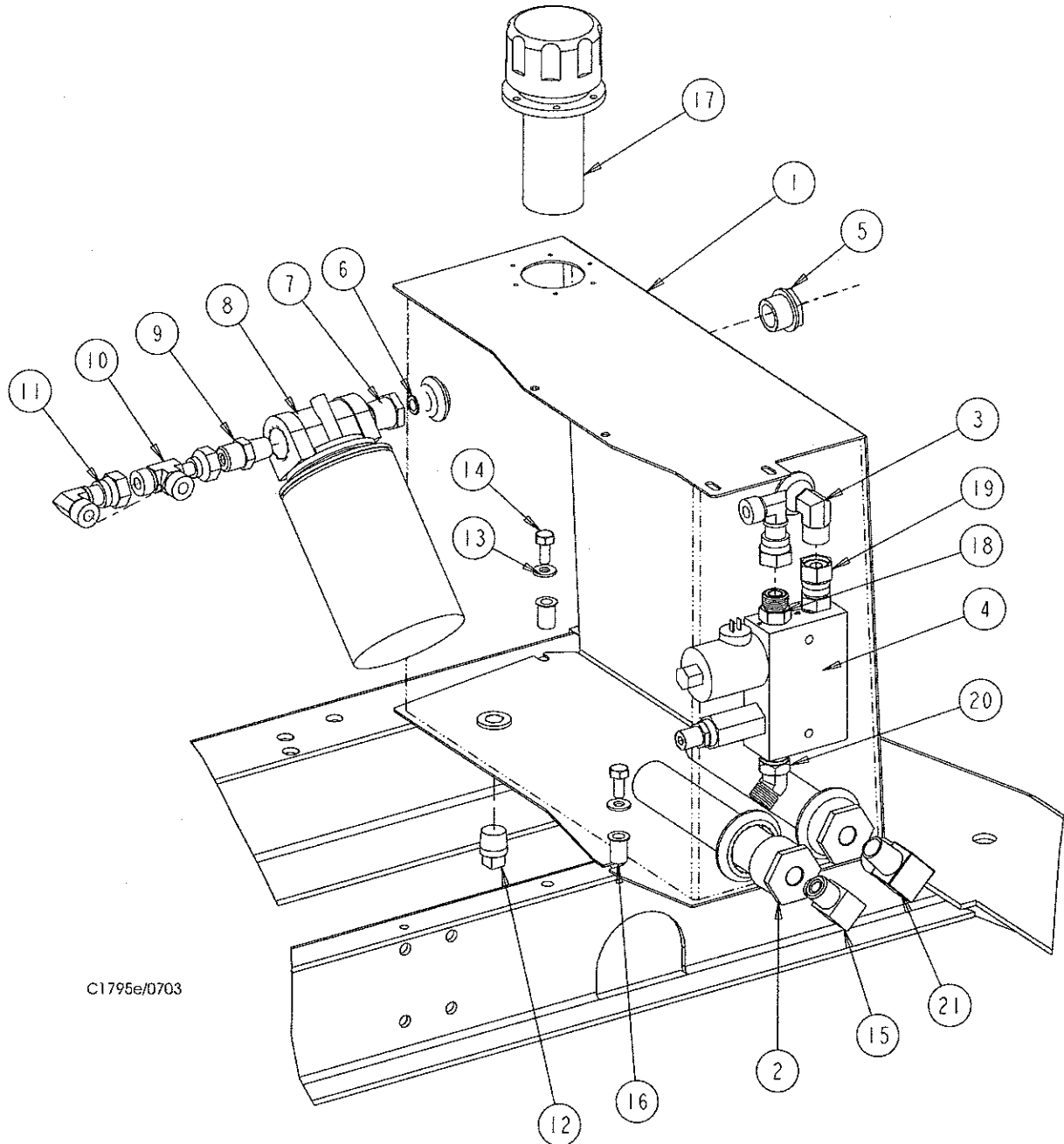
C1656/0402

HYDRAULIC RESERVOIR-PARTS LIST

| <u>KEY NO.</u> | <u>PART NUMBER</u> | <u>DESCRIPTION</u> | <u>QTY.</u> |
|----------------|--------------------|--|-------------|
| 1 | 7-83-04189 | Hydraulic Reservoir | 1 |
| 2 | 8-24-04115 | Strainer, Hyd. Reservoir | 2 |
| 3 | 2-00-05204 | 13/16-16 ORS MX 1/2-14 NPTF 90 | 2 |
| 4 | 7-88-00103 | Valve, 2-way Pressure Relief | 1 |
| 5 | 8-48-05033 | Sight Glass, Hyd. Fluid | 1 |
| 6 | 2-95-02516 | 1/2 Pipe Nipple Close | 1 |
| 7 | 2-00-04474 | 3/4-14 X 1/2-14 Reducer | 1 |
| 8 | 7-24-04013 | Return Filter Assy | 1 |
| 9 | 2-00-05436 | Fitting, ORFS M To NPTF M 08 X 12 | 1 |
| 10 | 2-00-04928 | Fitting, 13/16-16 X 13/16-16 Tee | 1 |
| 11 | 2-00-05046 | Fitting, 8 Ors 8 SAE 90° Elbow | 2 |
| 12 | 2-00-02474 | Plug, 1/2 NPT | 1 |
| 13 | 2-00-00451 | Flat Washer, .750 X .312 X .065 Stl Zn | 2 |
| 14 | 2-00-00208 | Screw, 5/16-18 X .750 HHC | 2 |
| 15 | 2-00-05438 | Fitting, 90 ORFS M To NPTF M 08 X 12 | 1 |
| 16 | 2-00-05330 | Threaded Insert, 5/16-18 | 2 |
| 17 | 8-11-00026 | Filter, Cap Reservoir | 1 |
| 18 | 2-00-04970 | Fitting, Connector 8 Ors #8 SAE | 1 |
| 19 | 2-00-05939 | Fitting, ORFS Swivel/Str O-Ring | 1 |
| 20 | 2-00-04975 | Fitting, 8 SAE 45° Elbow | 1 |
| 21 | 2-00-05074 | Fitting, 3/4 NPT x 1-1/3-16 #12 ORS | 1 |

c1795e/0703

HYDRAULIC RESERVOIR-EXPLODED VIEW



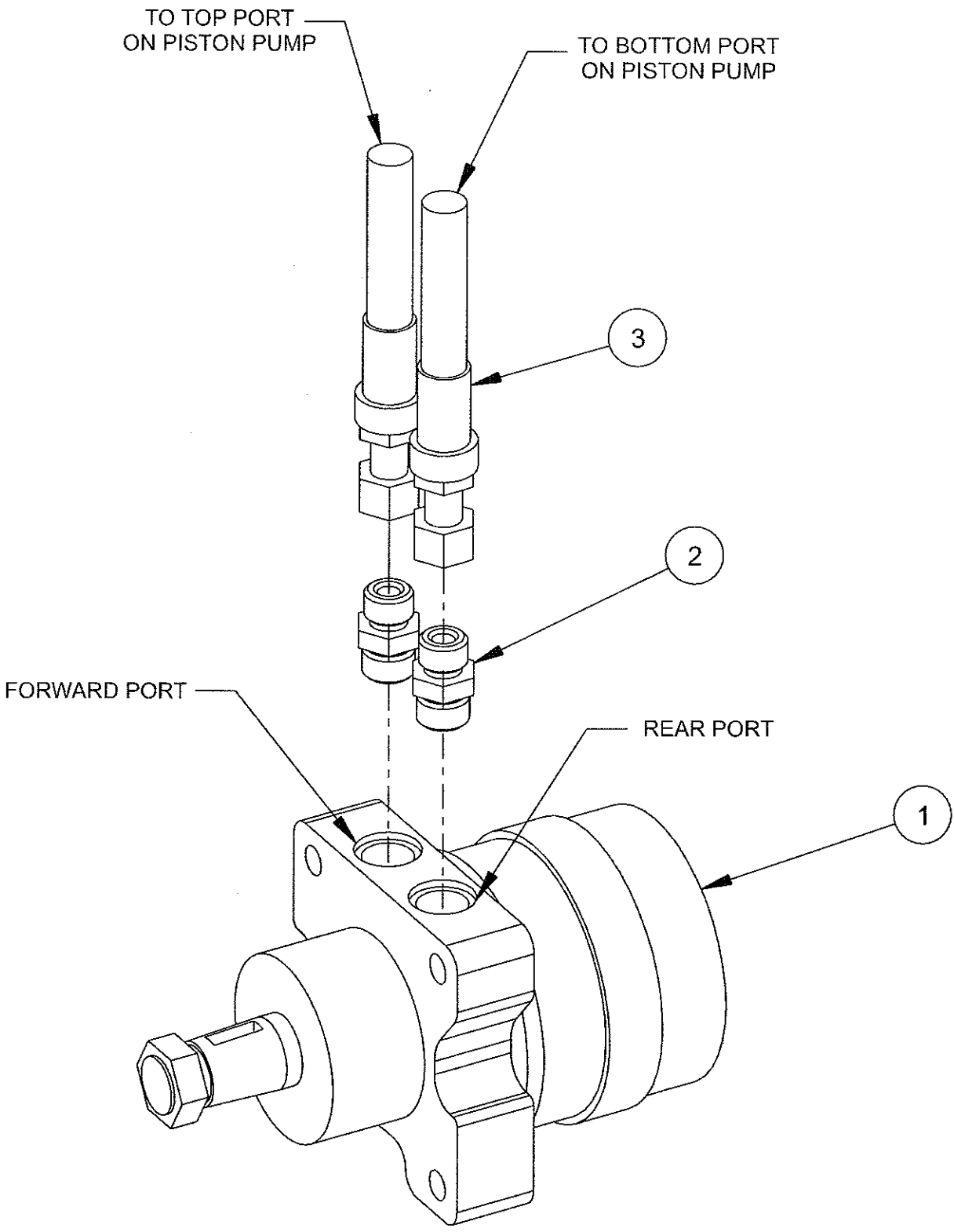
C1795e/0703

WHEEL DRIVE HYDRAULICS - PARTS LIST

| <u>KEY NO.</u> | <u>PART NUMBER</u> | <u>DESCRIPTION</u> | <u>QTY.</u> |
|----------------|--------------------|--|-------------|
| 1 | 0885-092 | Hydraulic Motor (Gas/LP/Diesel) | 1 |
| 1 | 0785-087 | Hydraulic Motor (Battery) | 1 |
| 2 | 2-00-04974 | Fitting #8 ORS to #10 SAE Connector | 2 |
| 3 | 8-33-02196 | Hose - #8 ORS STR Ends 75.5" (Gas/Lp/Diesel) | Ref. |
| 3 | 7-33-02382 | Hose - #8 ORS STR Ends 43.25" (Battery) | Ref. |

C1661/9804

WHEEL DRIVE HYDRAULICS - EXPLODED VIEW



HYDRAULIC RETURN BLOCK - PARTS LIST

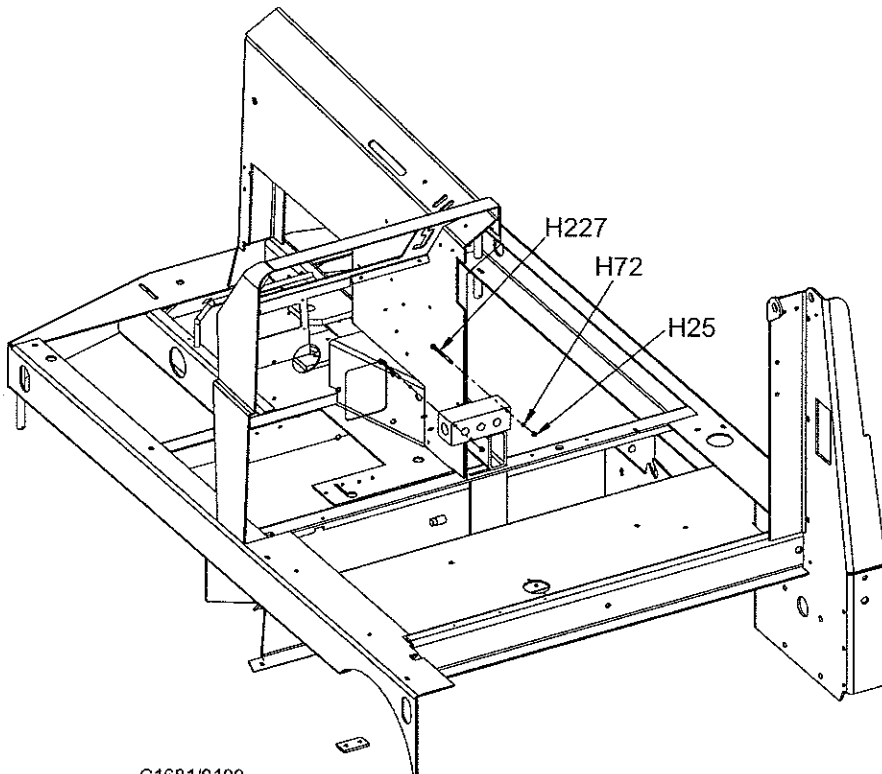
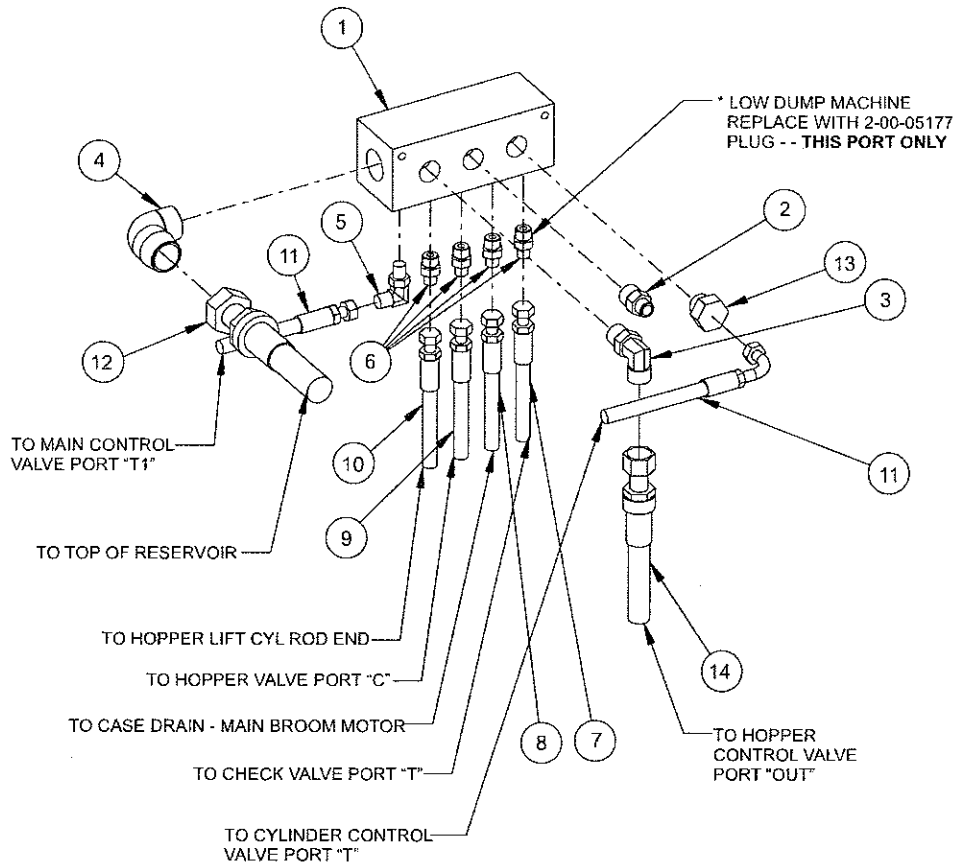
| <u>KEY NO.</u> | <u>PART NUMBER</u> | <u>DESCRIPTION</u> | <u>QTY.</u> |
|----------------|--------------------|----------------------------------|-------------|
| 1 | 7-48-00019 | Return Block | 1 |
| 2 | 2-00-05264 | Fitting, Connector #8SAE - #4ORS | 1 |
| 3 | 2-00-04885 | Fitting, 90° Elbow (O-Ring) | 1 |
| 4 | 2-00-05265 | Fitting, 90° ORS/Male NPTF | 1 |
| 5 | 2-00-04892 | Fitting, 90° Elbow (O-Ring) | 1 |
| 6 | 2-00-04895 | Fitting, Straight Connector | 1 |
| 7 | 7-33-02191 | Hose, #4 ORS 0-90, 42.0" | Ref |
| 8 | 8-33-02200 | Hose, #4 ORS 0-90, 55.0" | Ref |
| 9 | 7-33-02350 | Hose, #4 ORS 0-90, Swivel 43.0" | Ref |
| 10 | 7-33-02355 | Hose, #4 ORS 0-45, 50.5" | Ref |
| 11 | 8-33-02176 | Hose, #4 ORS 0-90, 21.0" | Ref |
| 12 | 8-33-02194 | Hose, #12 ORS 0-90, 20.0" | Ref |
| 13 | 2-00-05196 | Plug, 3/4-16 O-Ring Boss | 1 |
| 14 | 7-33-02187 | Hose, #8 ORS STR, 42.0" | Ref |

HARDWARE USED

| | | | |
|------|------------|-------------------------------|---|
| H25 | 2-00-00594 | Nut, Hex 1/4-20 x .437 x .218 | 2 |
| H72 | 2-00-00518 | Lock Washer, helical Spring | 2 |
| H233 | 2-00-02638 | Screw, HHC .25-20 x 3.00 | 2 |

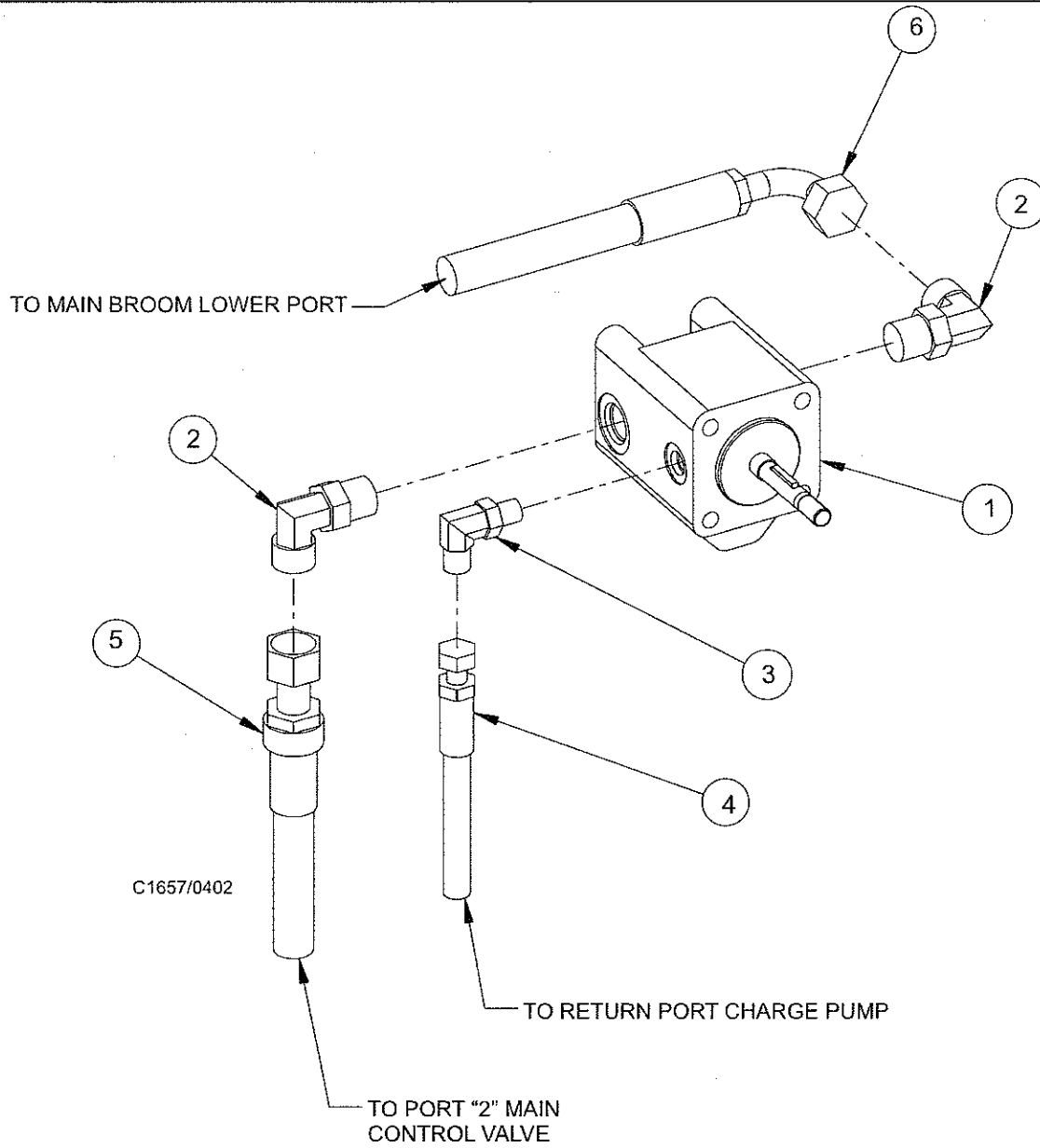
C1681/0402

HYDRAULIC RETURN BLOCK - EXPLODED VIEW



C1681/0109

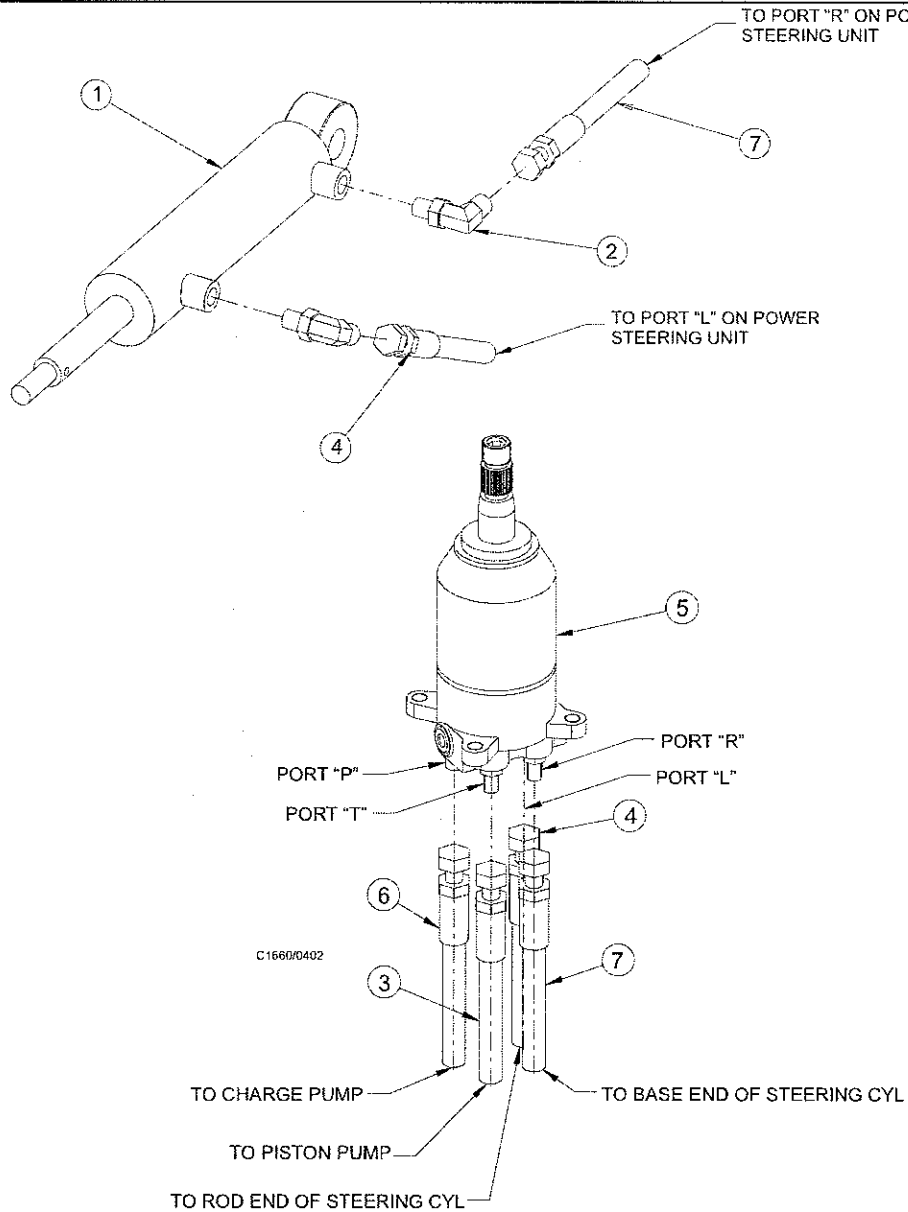
VAC FAN HOPPER HYDRAULICS



| KEY NO. | PART NUMBER | DESCRIPTION | QTY. |
|---------|-------------|-------------------------------|------|
| 1 | 0882-048 | Motor, Hydraulic Vacuum | 1 |
| 2 | 2-00-04885 | Fitting, 90° Elbow (O-Ring) | 2 |
| 3 | 2-00-04892 | Fitting, 90° Elbow (O-Ring) | 1 |
| 4 | 7-33-02190 | Hose, #4 ORS STR Ends 66.0" | Ref |
| 5 | 7-33-02346 | Hose, #8 0-90° 72.0" | Ref |
| 6 | 7-33-02192 | Hose, #8 ORS 0-90° Ends 90.0" | Ref |

C1657/0402

STEERING 90° - 90° HYDRAULICS



| KEY NO. | PART NUMBER | DESCRIPTION | QTY. |
|---------|-------------|-----------------------------|------|
| 1 | 7-17-05010 | Cylinder, Power Steering | 1 |
| 2 | 2-00-04892 | Fitting, 90° Elbow (O-Ring) | 2 |
| 3 | 8-33-02218 | Hose, #4 STR Ends 60.0" | Ref |
| 4 | 8-33-02185 | Hose, #4 STR Ends 56.0" | Ref |
| 5# | 8-33-02183 | Hose, #4 STR Ends 49.0" | Ref |
| 6# | 8-33-02185 | Hose, #4 STR Ends 56.0" | Ref |
| 7 | 8-60-05034 | Steering Control Unit | 1 |
| 8 | 7-33-02186 | Hose, #4 STR-90° 30.0" | Ref |
| 9 | 7-33-02343 | Hose, #4 STR Ends 43.5" | Ref |
| 10# | 7-33-02194 | Hose, #4 STR-90° 80.0" | Ref |

#battery
C1660/0402

ENGINE COVERS - BATTERY - PARTS LIST

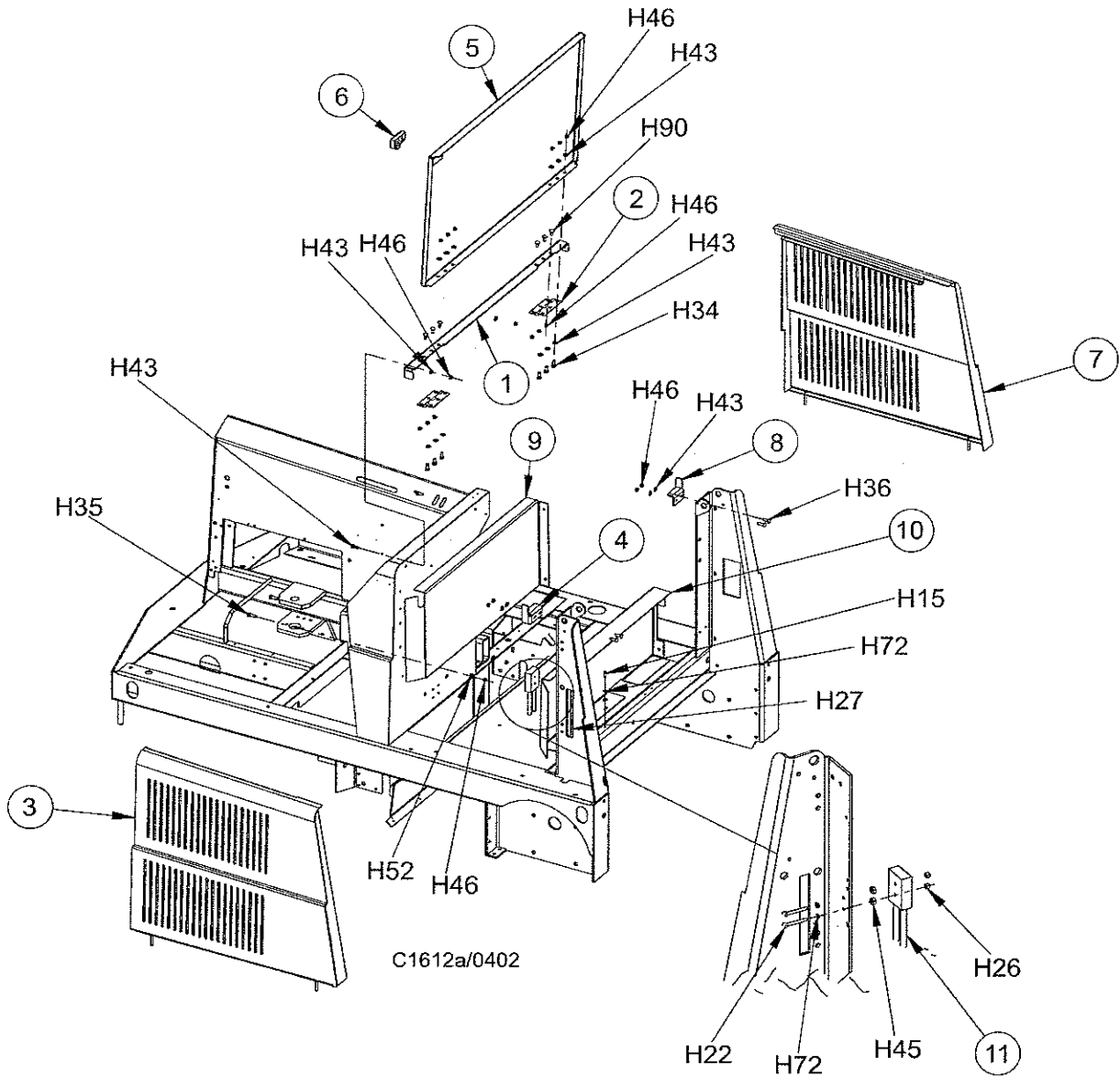
| <u>KEY NO.</u> | <u>PART NUMBER</u> | <u>DESCRIPTION</u> | <u>QTY.</u> |
|----------------|--------------------|---------------------------|-------------|
| 1 | 7-81-00192 | Support - Top Cover | 1 |
| 2 | 8-32-00046 | Hinge | 2 |
| 3 | 7-16-07385 | Cover - RH Side | 1 |
| 4 | 7-41-00032 | Latch - RH Side | 1 |
| 5 | 7-16-07383 | Cover - Engine | 1 |
| 6 | 8-41-00040 | Latch | 1 |
| 7 | 7-16-07384 | Cover-L.H. Side (Welded) | 1 |
| 8 | 7-41-00034 | Latch-Side Cover L.H. | 1 |
| 9 | 7-62-05108 | Rail-Battery Guide, Rear | 1 |
| 10 | 7-62-05109 | Rail-Battery Guide, Front | 1 |
| 11 | 0775-166 | Connection Assembly | 1 |

HARDWARE USED:

| | | | |
|-----|------------|---------------------------------|----|
| H15 | 2-00-00221 | Screw, ¼ - 20 x .750 HHC | 3 |
| H22 | 2-00-02589 | Screw, 1/4-20 x 2.000 HHC | 2 |
| H26 | 2-00-00641 | Nut, 1/4-20 Insert Fiber | 2 |
| H27 | 2-00-03702 | Washer, .625 x .281 x .063 | 4 |
| H34 | 2-00-00208 | Screw, 5/16-18 x .750 HHC | 6 |
| H35 | 2-00-02708 | Screw, 5/16-18 x 1.000 HHM | 4 |
| H36 | 2-00-00196 | Carriage Bolt, 5/16-18 x 1.000 | 4 |
| H43 | 2-00-00409 | Flat Washer, .687 x .344 x .062 | 18 |
| H45 | 2-00-00585 | Nut, Hex. 5/16-18 x .500 x .265 | 2 |
| H46 | 2-00-00644 | Nut, 5/16-18, Insert Fiber | 20 |
| H52 | 2-00-00402 | Flat Washer, .750 x .390 x .094 | 2 |
| H72 | 2-00-00518 | Lock Washer, Helical Spring | 5 |
| H90 | 2-00-03569 | Carriage Bolt, 5/16 - 18 x .750 | 6 |

C1612a/0402

ENGINE COVERS - BATTERY - EXPLODED VIEW



ELECTRICAL ASSEMBLY - BATTERY - PARTS LIST

| <u>KEY NO.</u> | <u>PART NUMBER</u> | <u>DESCRIPTION</u> | <u>QTY.</u> |
|----------------|--------------------|---------------------------------|-------------|
| 1 | 7-52-00150 | Panel-Power | 1 |
| 2 | 2-00-04825 | Solenoid | 4 |
| 3 | 7-15-08005 | Contactora | 2 |
| 4 | 8-06-05004 | Fuse Holder | 5 |
| 5 | 8-32-09008 | Horn | 1 |
| 6 | 7-28-00002 | Fuse - 80 AMP | 1 |
| 7 | 2-00-00641 | Nut, 1/4-20 Insert Fiber | 2 |
| 8 | 7-15-08004 | Contactora | 2 |
| 9 | 7-64-00025 | Circuit Breaker - 25 AMP | 2 |
| 10 | 8-11-00051 | Cap-Clear Boot | 3 |
| 11 | 8-64-00019 | Relay - 36 V | 1 |
| 12 | 8-64-00008 | Circuit Breaker - 15 AMP | 2 |
| 13 | 8-11-00044 | Boot | 2 |
| 14 | 7-64-00032 | Circuit Breaker - 50 AMP | 1 |
| 15 | 2-00-00056 | Screw, #10-24 x .750 RHM | 5 |
| 16 | 2-00-03702 | Washer, .625 x .281 x .063 | 22 |
| 17 | 2-00-01246 | Nut, Hex Fiber Insert #10-24 | 6 |
| 18 | 2-00-00594 | Nut, Hex 1/4-20 x .437 x .218 | 22 |
| 19 | 8-28-05021 | Fuse - 120 AMP | 1 |
| 20 | 2-00-00426 | Flat Washer, .500 x .219 x .063 | 1 |
| 21 | 2-00-00220 | Screw, 1/4-20 x .625 HHC | 16 |
| 22 | 2-00-00518 | Lock Washer, Helical Spring | 18 |

C1600/0603

INSTRUMENT PANEL - BATTERY - PARTS LIST

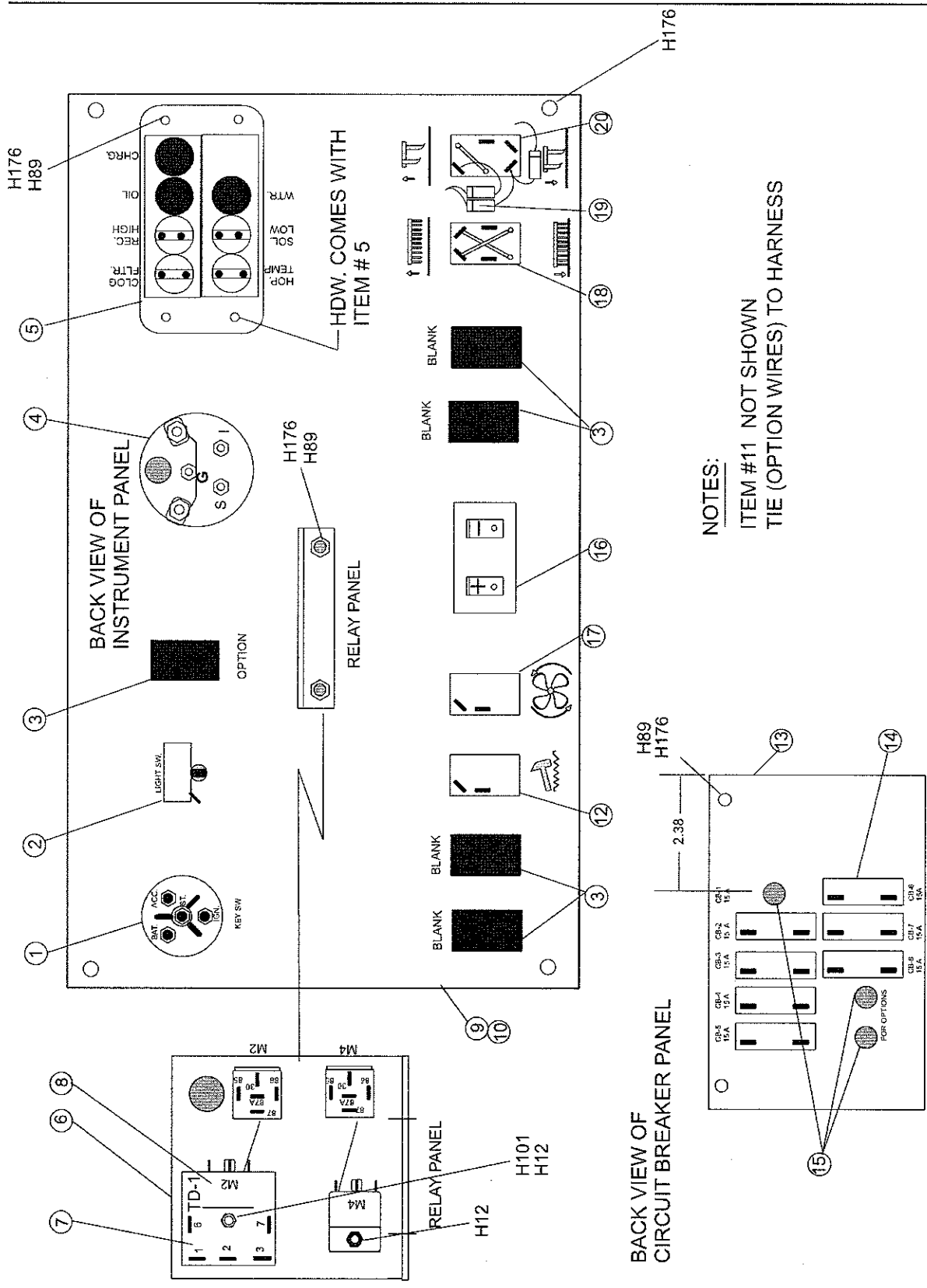
| <u>KEY NO.</u> | <u>PART NUMBER</u> | <u>DESCRIPTION</u> | <u>QTY.</u> |
|----------------|--------------------|------------------------|-------------|
| 1 | 8-82-00041 | Key Switch | 1 |
| 2 | 8-82-00027 | Light Switch | 1 |
| 3 | 2-00-05375 | Switch Blank | 5 |
| 4 | 7-48-05024 | Condition Meter | 1 |
| 5 | 0760-495-1 | Warning Light Assy | 1 |
| 6 | 8-08-00838 | Relay Panel | 1 |
| 7 | 8-64-00020 | Timed Delay Relay | 1 |
| 8 | 8-64-00019 | Relay | 2 |
| 9 | 7-52-00147 | Instrument Panel | 1 |
| 10 | 7-18-00248-1 | Decal | 1 |
| 11 | 0795-118 | Harness | 1 |
| 12 | 8-82-00062 | Switch | 1 |
| 13 | 7-52-00148 | Circuit Breaker Panel | 1 |
| 14 | 8-64-00008 | Circuit Breaker-15 AMP | 7 |
| 15 | 2-00-04757 | Hole Plug | 3 |
| 16 | 7-48-05029 | Hour Meter | 1 |
| 17 | 8-82-00059 | Switch | 1 |
| 18 | 7-82-00042 | Switch-Reversing | 1 |
| 19 | 0775-218 | Diode Assembly | 1 |
| 20 | 7-82-00041 | Switch | 1 |

HARDWARE USED:

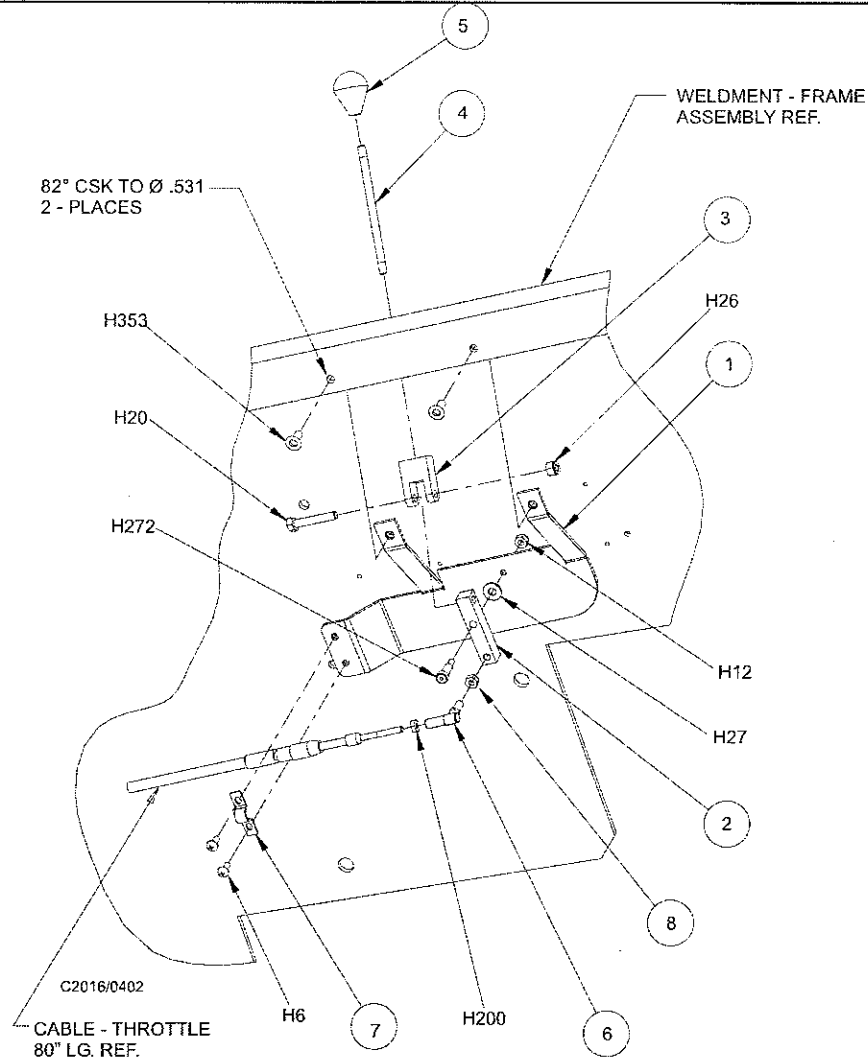
| | | | |
|------|------------|-------------------------------|----|
| H12 | 2-00-01246 | Nut, Hex Fiber Insert #10-24 | 2 |
| H89 | 2-00-01372 | Nut, Fiber insert #8-32 Steel | 8 |
| H101 | 2-00-04897 | Screw, #10-24 x 1.250 | 1 |
| H176 | 2-00-05337 | Screw, #8-32 x .750 BHS SS | 12 |

C1774/0402

INSTRUMENT PANEL - BATTERY - EXPLODED VIEW



THROTTLE CONTROL



| <u>KEY NO.</u> | <u>PART NUMBER</u> | <u>DESCRIPTION</u> | <u>QTY.</u> |
|----------------|--------------------|----------------------------|-------------|
| 1 | 7-08-00996 | Weldment, Bracket Throttle | 1 |
| 2 | 8-92-00046 | Pivot Block, Throttle | 1 |
| 3 | 8-92-00045 | Yoke, Throttle | 1 |
| 4 | 7-66-00196 | Rod, Control | 1 |
| 5 | 7-39-00017 | Knob, Control | 1 |
| 6 | 8-25-02036 | Ball Joint, Connector | 1 |
| 7 | 8-13-07094 | Conduit Clamp | 1 |
| 8 | 2-95-01999 | Nut, Hex Jam .25-28 ZN | 1 |

HARDWARE USED:

| | | | |
|------|------------|------------------------------------|---|
| H6 | 2-00-00049 | Screw, # 10-24 x .500 RHM | 2 |
| H12 | 2-00-01246 | Nut, Hex Fiber Insert #10-24 | 1 |
| H20 | 2-00-00203 | Screw, 1/4-20 x 1.500 HHC | 1 |
| H26 | 2-00-00641 | Nut, 1/4-20 Insert Fiber | 1 |
| H27 | 2-00-03702 | Washer, .625 x .281 x .063 | 1 |
| H200 | 2-00-00626 | Nut, Hex MS #10 - 32 x .375 x .125 | 1 |
| H272 | 2-00-04563 | Screw, Shoulder #10-24 | 1 |
| H353 | 2-00-03027 | Screw -Shoulder #10-24 | 2 |

DECALS - PARTS LIST

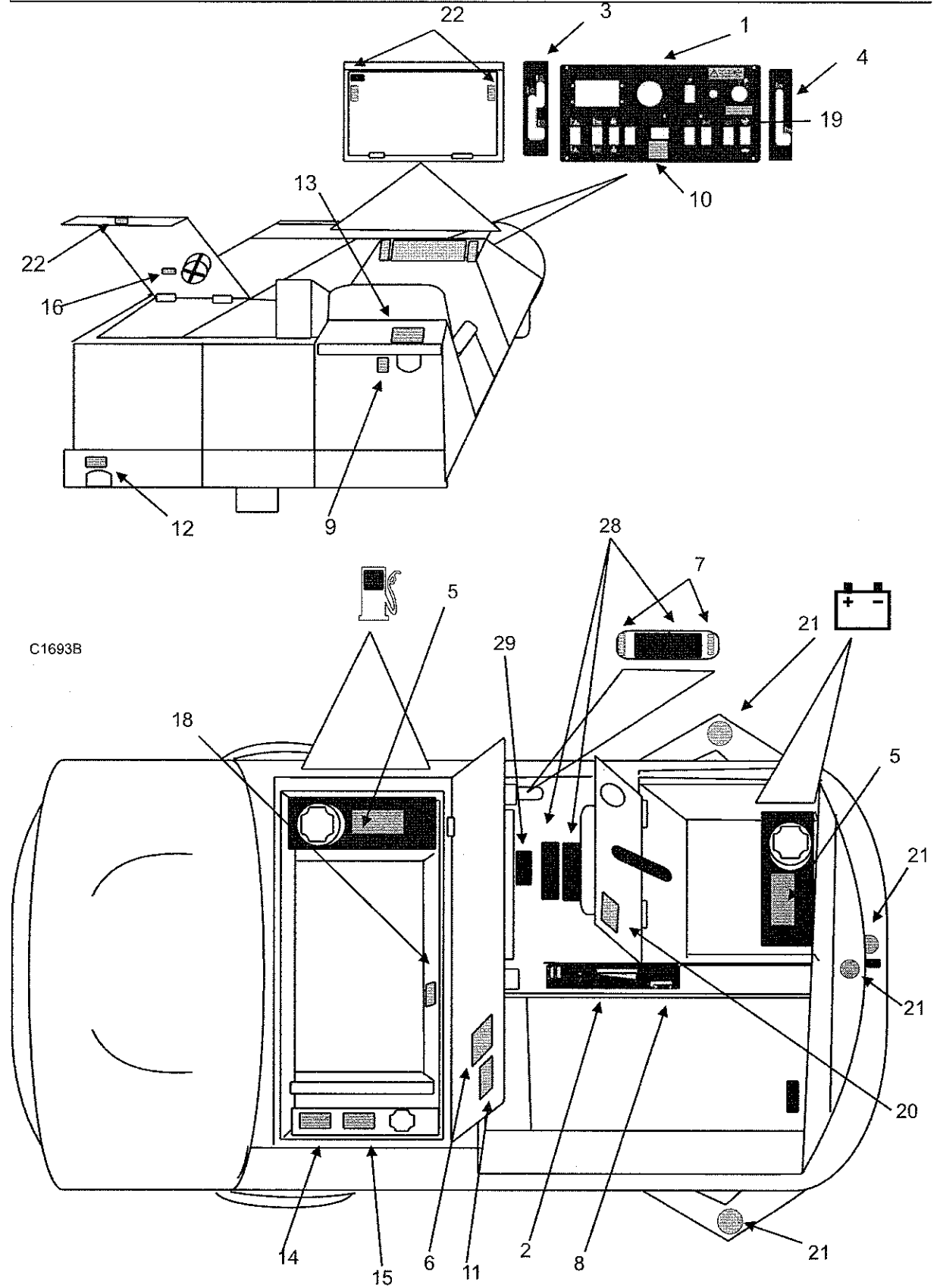
| <u>KEY NO.</u> | <u>PART NUMBER</u> | <u>DESCRIPTION</u> | <u>QTY.</u> |
|----------------|--------------------|---|-------------|
| 1 | 8-18-00515 | Instrument Panel | 1 |
| 2 | 8-18-00520 | Left Side Panel | 1 |
| 3 | 8-18-00506 | Main Broom | 1 |
| 4 | 8-18-00507 | Side Broom | 1 |
| 5* | REF | ATF/Dextron Fluid Only | 1 |
| 6* | REF | Battery Charging Warning (Battery models) | 1 |
| 7 | 8-18-00490 | Bi-Directional Pedal/horizontal | 1 |
| 8< | 8-18-00487 | Blank Square - Option Covers | 1 |
| 9* | REF | Gasoline Only (Gas models) | 1 |
| | | Diesel Fuel Only (Diesel models) | 1 |
| 10* | REF | Do Not Use with Flammables | 1 |
| 11* | REF | Electrical Hazard (Battery models) | 1 |
| 12* | REF | Exhaust Warning (Gas, LP, Diesel models) | 1 |
| 13* | REF | Fire Hazard-Fuel Could Explode (G, D) | 1 |
| 14* | REF | Moving Belts-Stay Clear (G, LP, D) | 1 |
| 15* | REF | Moving Fan Blade-Stay Clear | 1 |
| 16* | REF | No Gasoline or Combustibles | 1 |
| 17* | REF | Patent/Patents Pending | 1 |
| 18* | REF | Surface Hot-Stay Clear | 1 |
| 19* | REF | Turn Off-Lock Wheel | 1 |
| 20* | REF | Cover/Hopper Could Close | 3 |
| 21* | REF | No Step | 4 |
| 22* | REF | Pinch Point-Stay Clear | 9 |
| 23 | 8-18-00539 | SC7750 | 1 |
| 24 | 8-18-00527 | Alto (medium) | 1 |
| 25 | 8-18-00525 | American-Lincoln (medium) | 2 |
| 26 | 8-18-00526 | American-Lincoln (large) | 1 |
| 27 | REF | Serial Plate | 1 |
| 28 | 7-50-05136 | Non Skid (Edge) | 3 |
| 29 | 8-50-05055 | Non Skid | 1 |
| 30 | 2-00-04115 | Rivet | 2 |

*Contained in Warning Decal Kit 0760-892

<Can be ordered separately but is also included in 0760-892

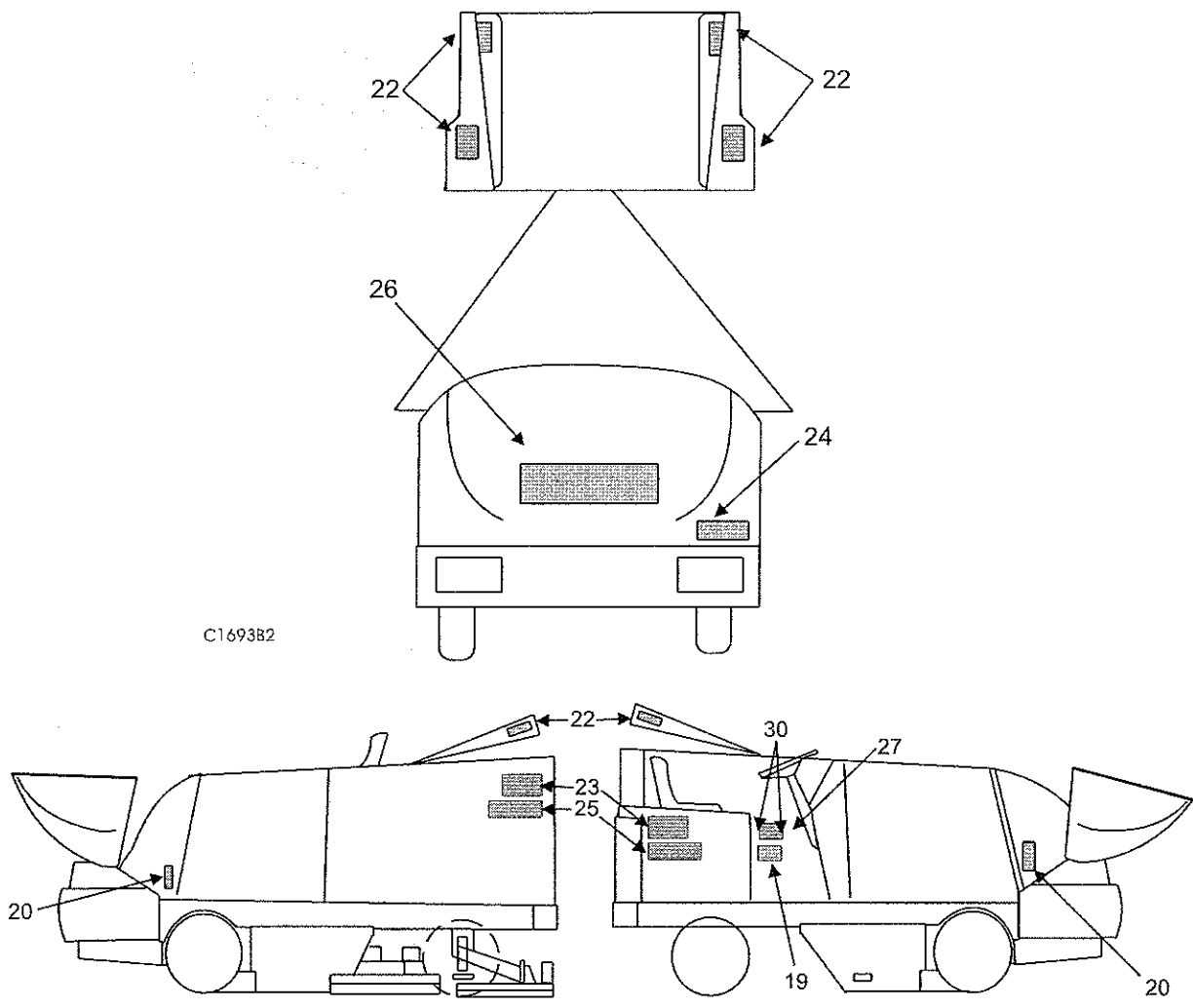
C1693B/1003

DECAL - EXPLODED VIEW



C1693B

DECALS (CON'T)



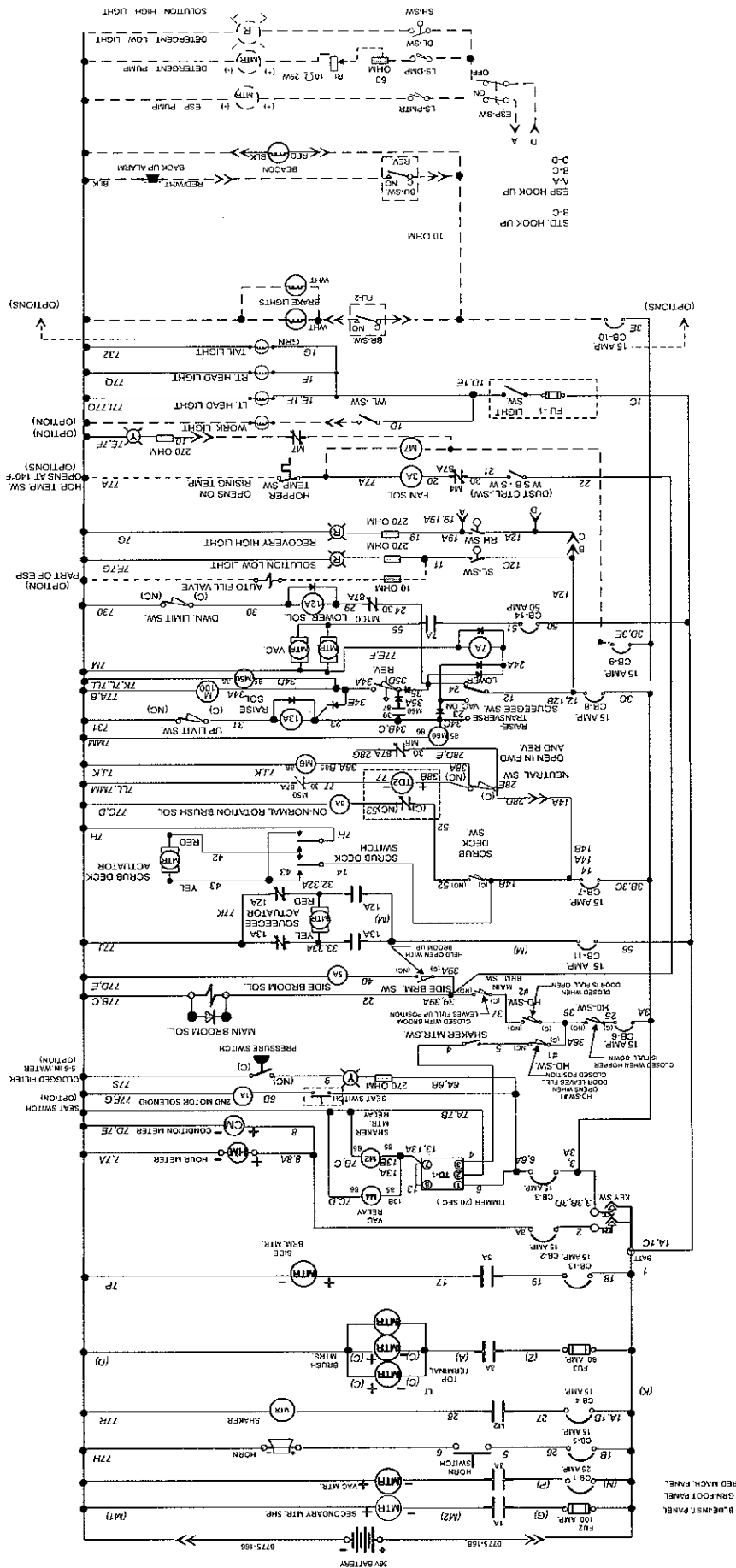
C1693B2

| KEY NO. | PART NUMBER | DESCRIPTION | QTY. |
|---------|-------------|---------------------------|------|
| 19* | REF | Turn Off-Lock Wheel | 1 |
| 20* | REF | Cover/Hopper Could Close | 3 |
| 21* | REF | Decal, No Step | 4 |
| 22* | REF | Pinch Point-Stay Clear | 9 |
| 23 | 8-18-00539 | SC7750 | 1 |
| 24 | 8-18-00527 | Alto (medium) | 1 |
| 25 | 8-18-00525 | American-Lincoln (medium) | 2 |
| 26 | 8-18-00526 | American-Lincoln (large) | 1 |
| 27 | REF | Serial Plate | 1 |
| 28 | 7-50-05136 | Non Skid (Edge) | 3 |
| 29 | 8-50-05055 | Non Skid | 1 |
| 30 | 2-00-04115 | Rivet | 2 |

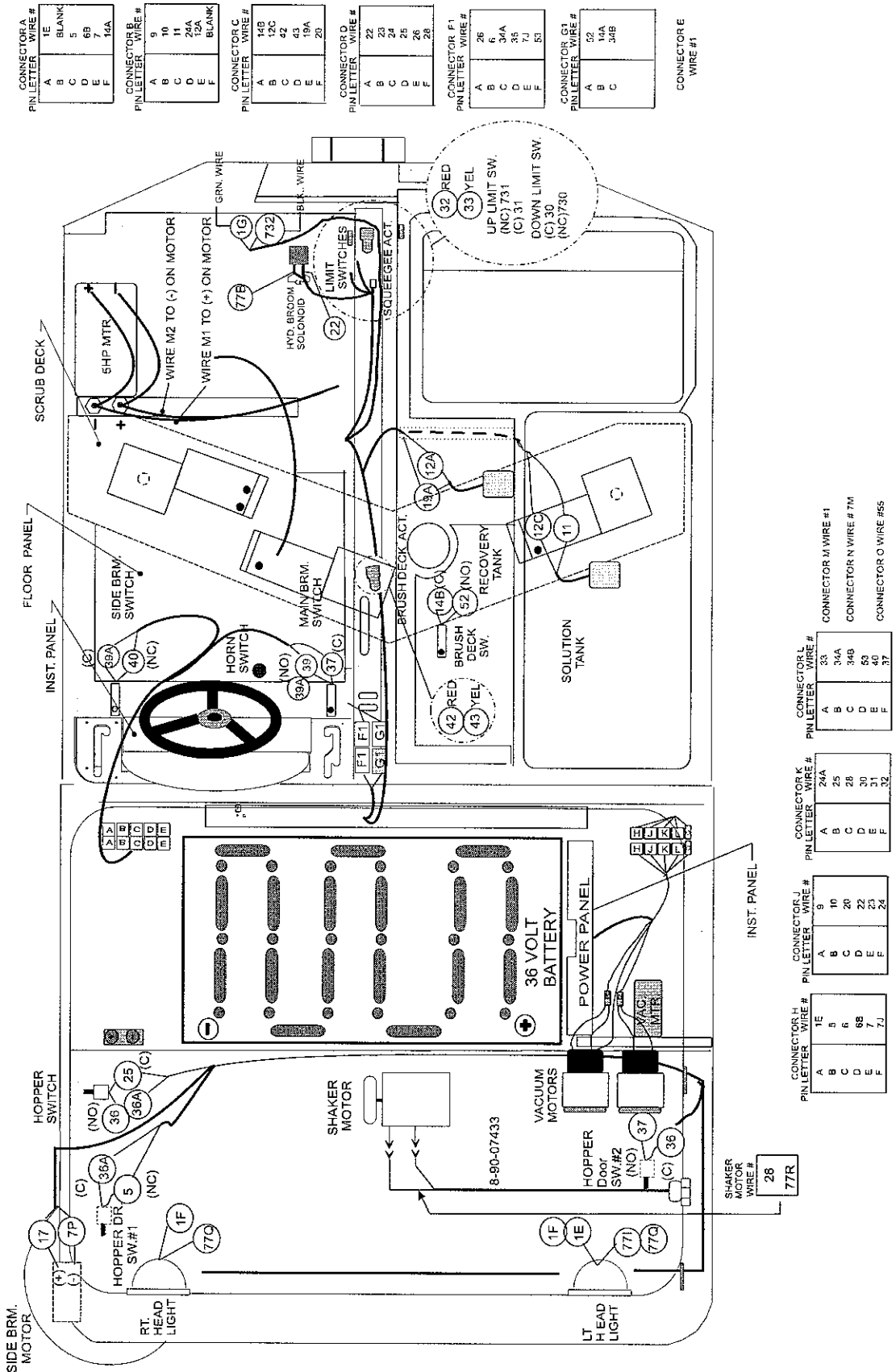
*Contained in Warning Decal Kit 0760-892

C1693B2/1003

ELECTRICAL SCHEMATIC - BATTERY MACHINE



MACHINE CONNECTION DIAGRAM - BATTERY MACHINE



CONNECTOR A
PIN LETTER WIRE #

| | |
|---|-------|
| A | 1E |
| B | BLANK |
| C | 5 |
| D | 6B |
| E | 7 |
| F | 14A |

CONNECTOR B
PIN LETTER WIRE #

| | |
|---|-------|
| A | 9 |
| B | 10 |
| C | 11 |
| D | 26A |
| E | 26A |
| F | BLANK |

CONNECTOR C
PIN LETTER WIRE #

| | |
|---|-----|
| A | 14B |
| B | 12C |
| C | 42 |
| D | 43 |
| E | 19A |
| F | 20 |

CONNECTOR D
PIN LETTER WIRE #

| | |
|---|----|
| A | 22 |
| B | 23 |
| C | 24 |
| D | 25 |
| E | 26 |
| F | 28 |

CONNECTOR F1
PIN LETTER WIRE #

| | |
|---|-----|
| A | 26 |
| B | 6 |
| C | 34A |
| D | 35 |
| E | 7J |
| F | 5T |

CONNECTOR G1
PIN LETTER WIRE #

| | |
|---|-----|
| A | 52 |
| B | 14A |
| C | 34B |

CONNECTOR E
WIRE #1

CONNECTOR H
PIN LETTER WIRE #

| | |
|---|----|
| A | 1E |
| B | 5 |
| C | 6 |
| D | 6B |
| E | 7 |
| F | 7J |

CONNECTOR I
PIN LETTER WIRE #

| | |
|---|-----|
| A | 33 |
| B | 34A |
| C | 34B |
| D | 53 |
| E | 40 |
| F | 37 |

CONNECTOR J
PIN LETTER WIRE #

| | |
|---|----|
| A | 9 |
| B | 10 |
| C | 20 |
| D | 22 |
| E | 23 |
| F | 24 |

CONNECTOR K
PIN LETTER WIRE #

| | |
|---|-----|
| A | 24A |
| B | 25 |
| C | 28 |
| D | 30 |
| E | 31 |
| F | 32 |

CONNECTOR L
PIN LETTER WIRE #

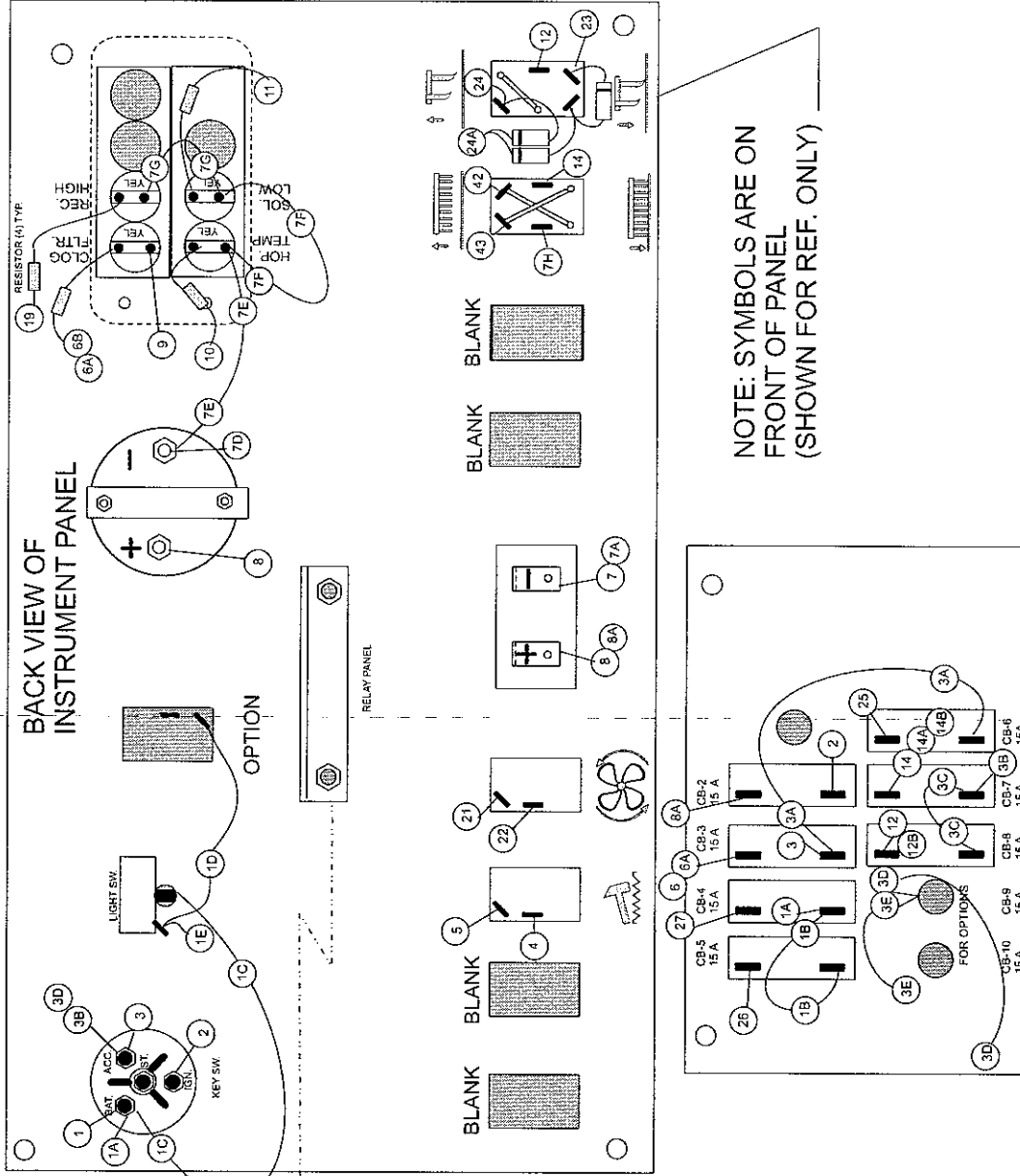
| | |
|---|-----|
| A | 33 |
| B | 34A |
| C | 34B |
| D | 53 |
| E | 40 |
| F | 37 |

CONNECTOR M WIRE #1

CONNECTOR N WIRE # 7M

CONNECTOR O WIRE #55

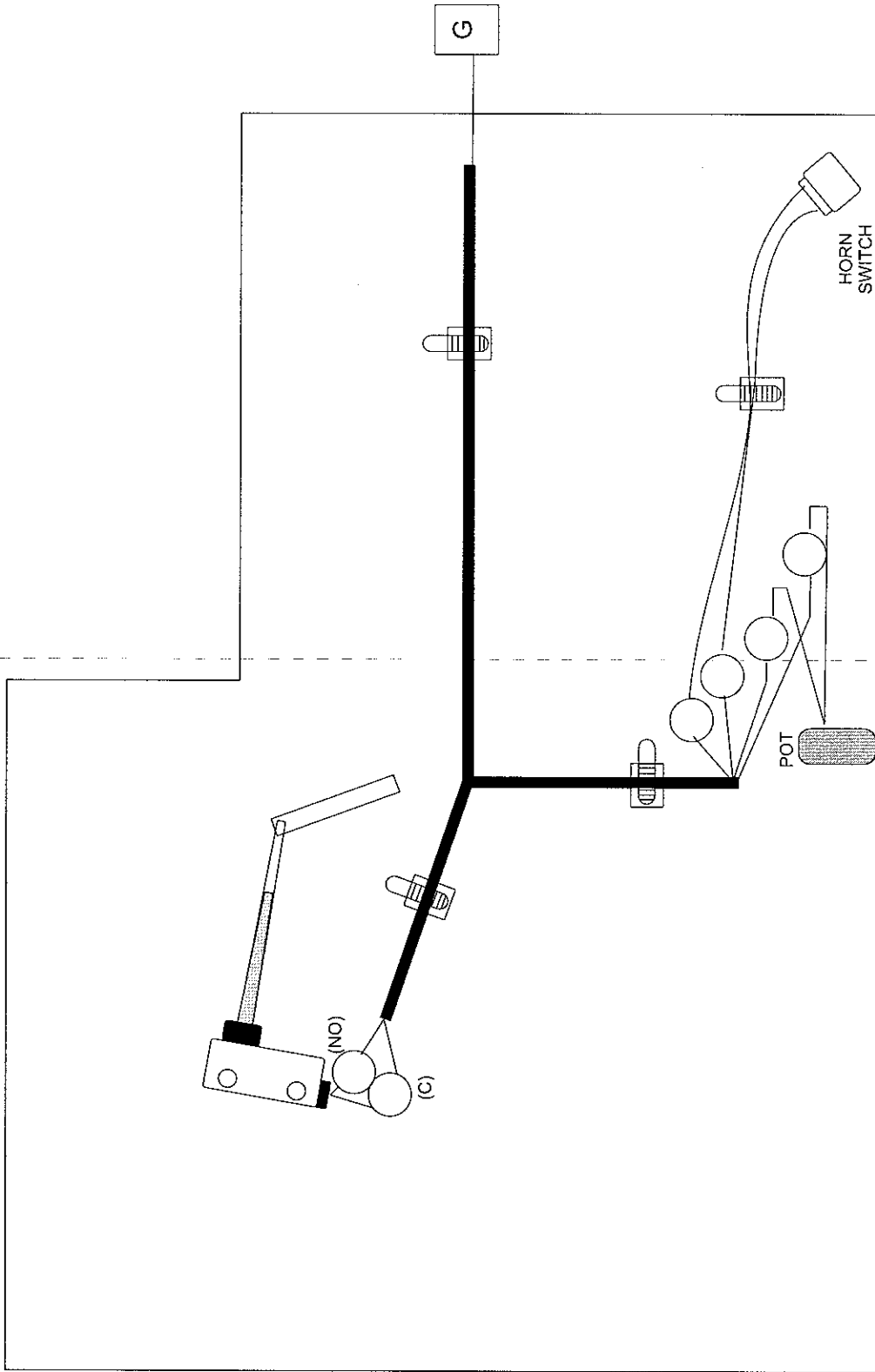
INSTRUMENT PANEL CONNECTION DIAGRAM - BATTERY



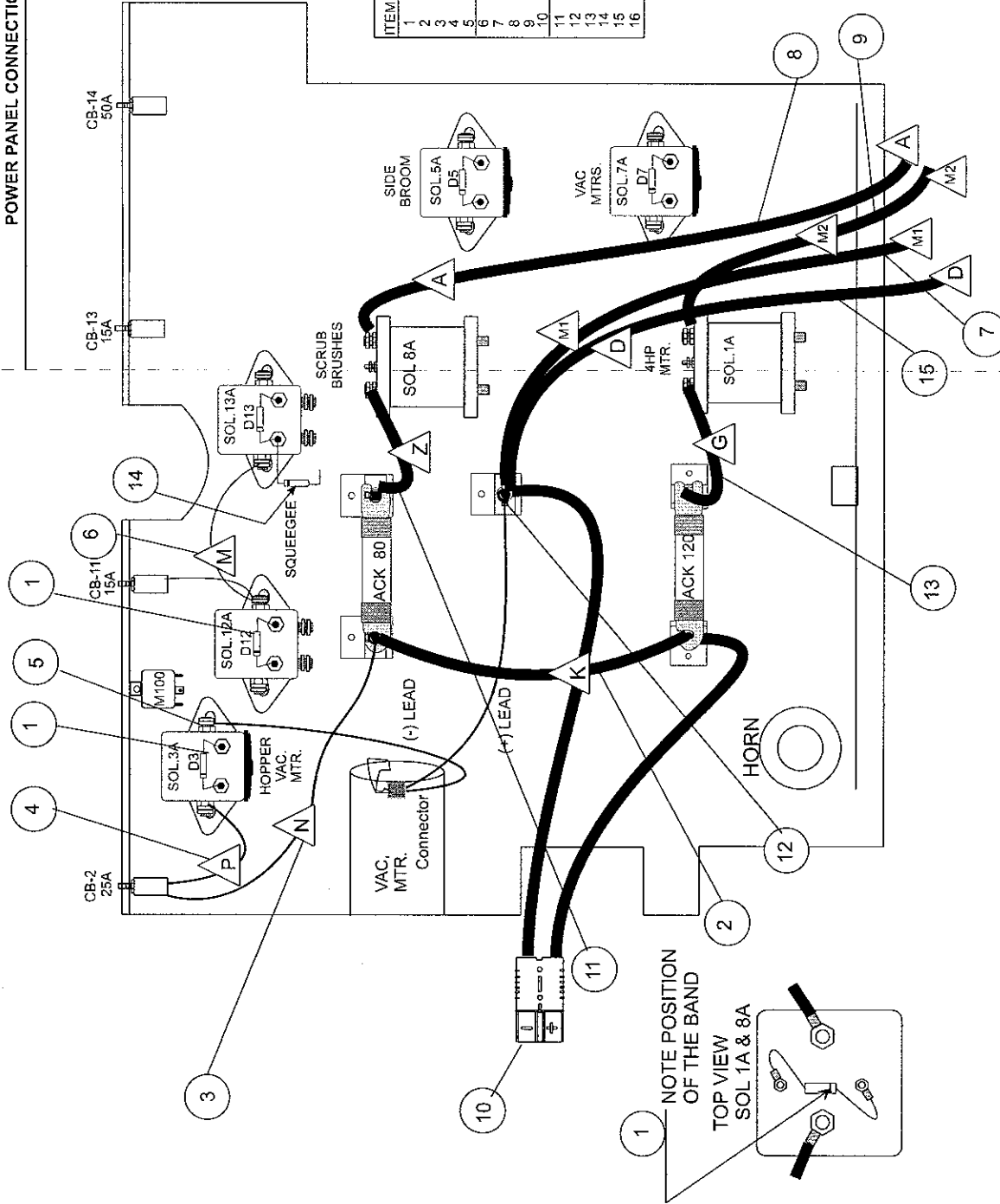
NOTE: SYMBOLS ARE ON FRONT OF PANEL (SHOWN FOR REF. ONLY)

| WIRE # | COLOR | WIRE # | COLOR |
|-----------------------|----------|---------|---------|
| 1, 1A, 1B, 1C, 1D, 1E | RED | 19 | PURPLE |
| 2 | ORANGE | 21 | PURPLE |
| 3, 3A, 3B, 3C, 3D, 3E | YELLOW | 22 | ORANGE |
| 4 | LT GREEN | 23 | YELLOW |
| 5 | LT BLUE | 24, 24A | TAN |
| 6, 6A, 6B, 7C, 7D, 7E | WHITE | 25 | PURPLE |
| 7, 7A, 7B, 7C, 7D, 7E | BLACK | 26 | RED |
| 8, 8A, 8B, 8C, 8D, 8E | BLACK | 27 | YELLOW |
| 9, 9A | TAN | 28 | LT BLUE |
| 10 | PURPLE | 29 | WHT |
| 11 | ORANGE | 30 | GRAY |
| 12, 12B | ORANGE | | |
| 13, 13A, 13B | YELLOW | | |
| 14, 14A, 14B | LT GREEN | | |

FLOOR PANEL CONNECTION DIAGRAM - BATTERY MACHINE



POWER PANEL CONNECTION DIAGRAM - BATTERY MACHINE

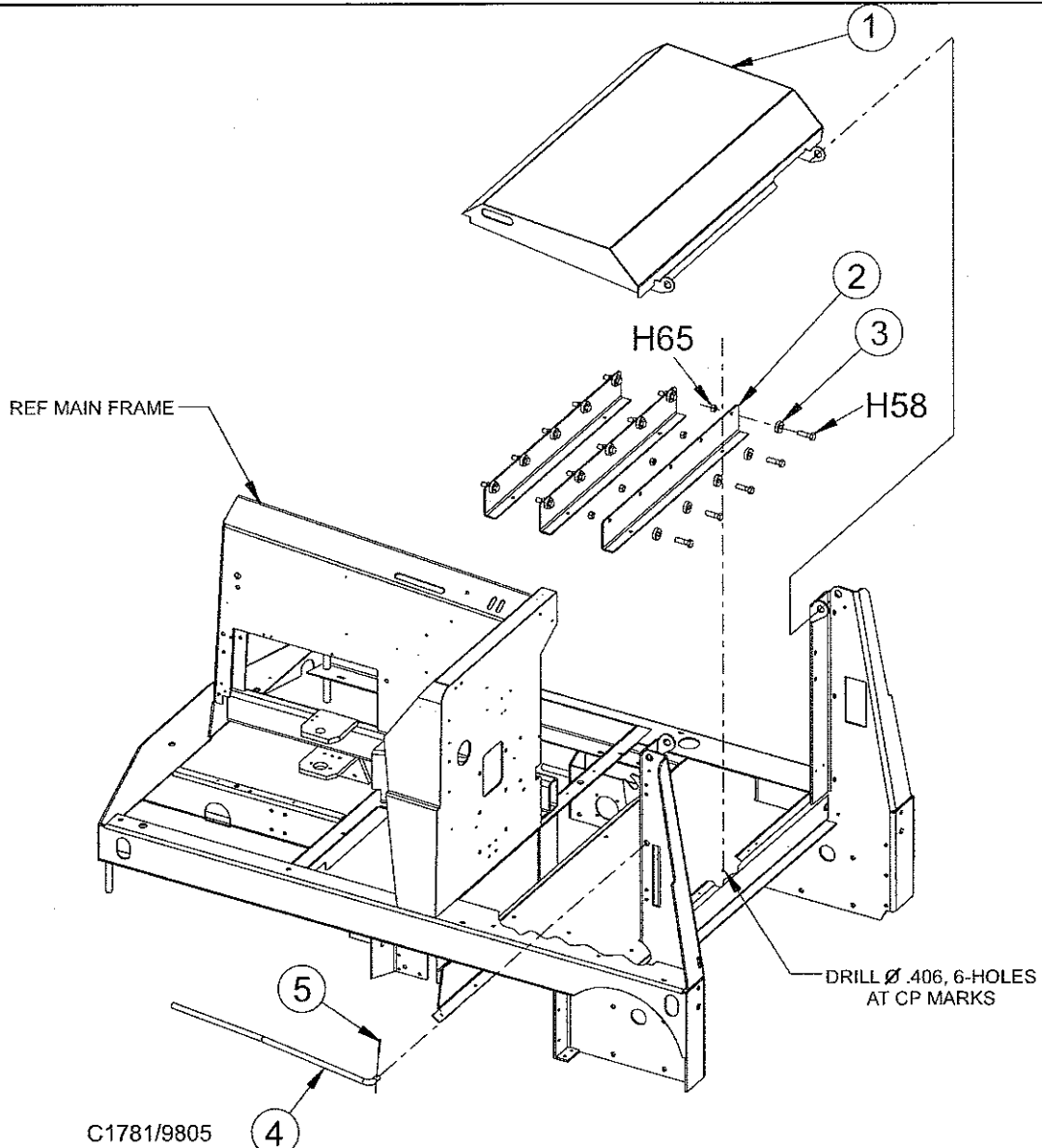


| ITEM | PART NUMBER | DESCRIPTION | QTY |
|------|-------------|------------------|------|
| 1 | 0775-159 | DIODE ASSY. | 8 |
| 2 | 7-90-07401 | WIRE (K) | 1 |
| 3 | 7-90-07398 | WIRE (P) | 1 |
| 4 | 7-90-07389 | WIRE (P) | 1 |
| 5 | 2-00-04284 | TERM. (.31 RING) | 1 |
| 6 | 7-90-07399 | WIRE (M) | 1 |
| 7 | 7-90-07391 | WIRE (M1) | 1 |
| 8 | 7-90-07393 | WIRE (A) | 1 |
| 9 | 7-90-07392 | WIRE (M2) | 1 |
| 10 | 0775-166 | WIRE ASSY. | 1 |
| 11 | 7-90-07421 | WIRE (Z) | 1 |
| 12 | 2-00-04859 | TERM. (.25 RING) | 1 |
| 13 | 7-90-07396 | WIRE (G) | 1 |
| 14 | 0775-109 | DIODE ASSY. | 1 |
| 15 | 7-90-07395 | WIRE (D) | 1 |
| 16 | 0795-152 | HARNESS | REF. |

TABLE OF CONTENTS - CHAPTER 3

| | |
|--|------|
| Roll-Out Battery (800 AH Option)..... | 3-3 |
| Brushes Option | 3-4 |
| Hopper Thermo-Sensor Shutdown Option | 3-6 |
| Back-Up Alarm Option | 3-8 |
| Rear Work Light Option | 3-10 |
| Overhead Guard option | 3-11 |
| Amber Safety Light Option with Overhead Guard | 3-12 |
| Amber Safety Light Option without Overhead Guard | 3-13 |
| ESP/Autofil Option | 3-14 |
| ESP/Autofil Wiring - Battery | 3-20 |
| ESP/ Autofil Wiring - Gas | 3-22 |
| Fire Extinguisher | 3-24 |
| Flame Arresting Gas Cap | 3-25 |
| Heavy Duty Air Cleaner Option | 3-26 |
| Clogged Filter Option | 3-27 |
| Spray Wand Option | 3-28 |
| Wet Sweep Bypass/Thermo Sensor Option | 3-32 |
| Retractable Seatbelt Option | 3-36 |
| Suspension Seat Option | 3-37 |
| Seat Switch Kit | 3-38 |
| Pad Driver option (16") | 3-39 |
| Pad Driver option (18") | 3-40 |
| Oil Cooler Option | 3-41 |
| Vacuum Wand Option | 3-42 |
| Vac Hose Service Kit | 3-43 |
| Spare Parts List - SC7750 Machine | 3-44 |
| Spare Parts List - SC7750 Machine | 3-45 |
| Spare Parts List - SC7750 Battery Machine | 3-46 |
| Spare Parts List - SC7750 Battery Machine | 3-47 |
| Spare Parts List - Gas/LP/Diesel Machine | 3-48 |
| Index | 3-49 |
| Warranty | 3-55 |

ROLL-OUT BATTERY (800 AH OPTION)



| KEY NO. | PART NUMBER | DESCRIPTION | QTY |
|---------|-------------|----------------------------------|-----|
| 1 | 7-16-07391 | Cover-Battery (800 AH Option) | 1 |
| 2 | 7-62-05110 | Rail-Battery Roller | 3 |
| 3 | 2-00-03306 | Bearing-Ball | 15 |
| 4 | 7-05-07175 | Bar-Battery Retainer | 1 |
| 5 | 2-00-00776 | Cotter Pin (1/8 Dia. X 1 1/2 Lg) | 1 |

HARDWARE USED:

| | | | |
|-----|------------|---------------------------|----|
| H58 | 2-00-00241 | Screw, 1/2-13 x 1.750 HHC | 15 |
| H65 | 2-00-04936 | Nut, 1/2-13 Fiber Lock | 15 |

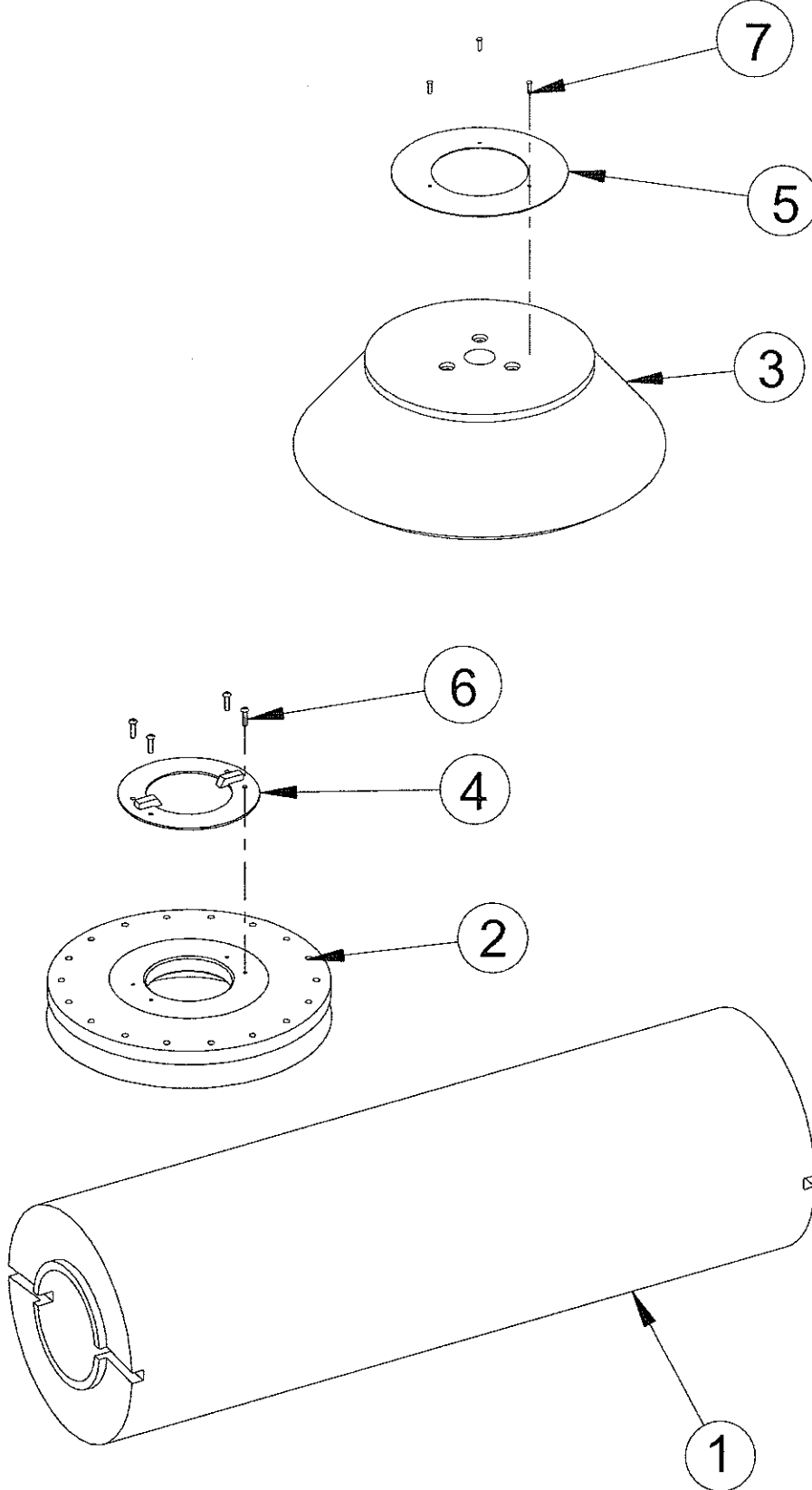
C1781/9805

BRUSHES OPTION - PARTS LIST

| <u>KEY NO.</u> | <u>PART NUMBER</u> | <u>DESCRIPTION</u> | <u>QTY.</u> |
|----------------|--------------------|--|-------------|
| 1 | 8-08-03217 | Proex and Wire Main Broom | 1 |
| 1 | 8-08-03218 | Poly and Wire 8-Row Main Broom | 1 |
| 1 | 8-08-03219 | Nylon 8-Row Main Broom | 1 |
| 1 | 8-08-03220 | Nylon High Density Main Broom | 1 |
| 1 | 8-08-03221 | Wire and Fiber High Density Main Broom | 1 |
| 2 | 0765-256 | Scrub Brush Assembly 16" Black Nylon | 3 |
| 2 | 0765-257 | Scrub Brush Assembly 16" Amerfil | 3 |
| 2 | 0765-258 | Scrub Brush Assembly 16" Supergrit | 3 |
| 2 | 0765-259 | Scrub Brush Assembly 16" Soft Nylon | 3 |
| 2 | 0765-260 | Scrub Brush- Black Nylon 18" | 3 |
| 2 | 0765-265 | Scrub Brush Assy 16" Clean Grit | 3 |
| 2 | 0765-261 | Scrub Brush- Amerfil 18" | 3 |
| 2 | 0765-262 | Scrub Brush- Supergrit 18" | 3 |
| 2 | 0765-263 | Scrub Brush- Soft Nylon 18" | 3 |
| 2 | 0765-266 | Scrub Brush Assy 18" Clean Grit | 3 |
| 3 | 0880-439 | Wire Side Broom | 1 |
| 3 | 8-08-03211 | Nylon Side Broom | 1 |
| 3 | 8-08-03212 | Polypropylene Side Broom | 1 |
| 3 | 8-08-03199 | Wire Side Broom Only | 1 |
| 3 | 8-08-03140 | Polypropylene Side Broom (Battery) | 1 |
| 4 | 7-19-02034 | Disc - Brush Driver 18" | 1 |
| 4 | 7-19-02035 | Disc - Brush Driver 16" & 18" | 1 |
| 5 | 8-58-05248 | Plate - Side Broom Retainer | 1 |
| 6 | 2-00-00081 | Screw, 1/4-20 x 1.000 RHM | 4 |
| 7 | 2-00-04121 | Screw, 10-13 x .750 Wood, Pan Head | 3 |

C1710/9805

BRUSHES OPTION - EXPLODED VIEW



C1710/9712

HOPPER THERMO-SENSOR SHUTDOWN OPTION - PARTS LIST

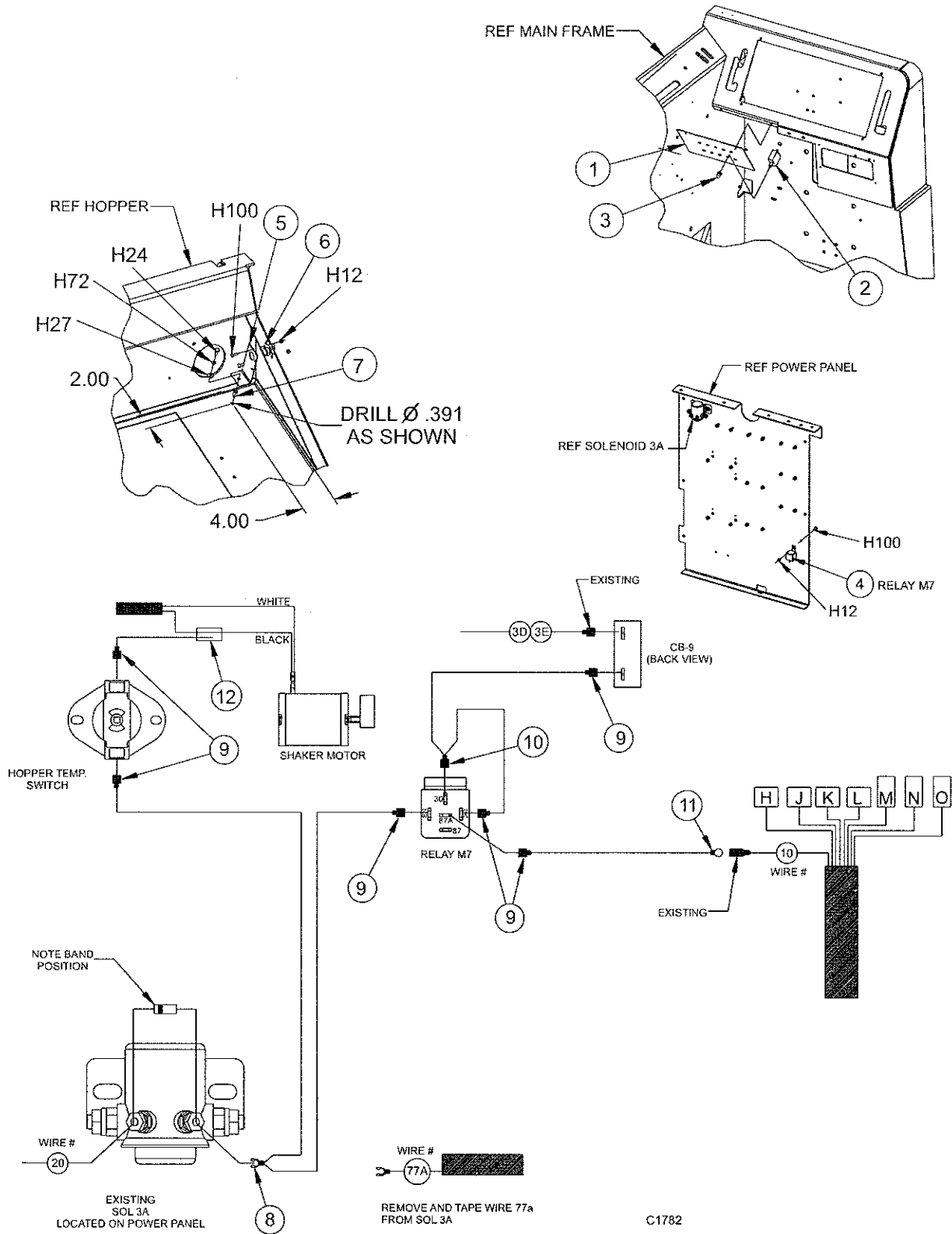
| <u>KEY NO.</u> | <u>PART NUMBER</u> | <u>DESCRIPTION</u> | <u>QTY</u> |
|----------------|--------------------|----------------------------|------------|
| 1 | 7-52-00148 | Panel-Circuit Breaker | Ref. |
| 2 | 8-64-00008 | Circuit Breaker- 15 AMP | 1 |
| 3 | 8-11-00044 | Boot | 1 |
| 4 | 8-64-00019 | Relay- 36V | 1 |
| 5 | 8-08-00803 | Bracket-Temperature Switch | 1 |
| 6 | 8-82-00056 | Switch-Thermostat | 1 |
| 7 | 2-00-05261 | Threaded Insert-1/4-20 | 1 |
| 8 | 2-00-04716 | Terminal- #10 SS | 1 |
| 9 | 2-00-03418 | Terminal- .25 FISO Female | 6 |
| 10 | 2-00-04708 | Terminal- .25 FISO Female | 1 |
| 11 | 2-00-04578 | Terminal- .156 Male Bullet | 1 |
| 12 | 2-00-04479 | Connector- 3 Way | 1 |
| 13 | 3-61-00189 | Wire- 16 AWG, Black | 35' |

HARDWARE USED:

| | | | |
|------|------------|------------------------------|---|
| H12 | 2-00-01246 | Nut, Hex Fiber Insert #10-24 | 3 |
| H24 | 2-00-00220 | Screw, 1/4-20 x .625 HHC | 1 |
| H27 | 2-00-03702 | Washer, .625 x .281 x .063 | 1 |
| H72 | 2-00-00518 | Lock Washer, Helical Spring | 1 |
| H100 | 2-00-03062 | Screw, #10-24 x .625 THM | 3 |

C1782/9805

HOPPER THERMO-SENSOR SHUTDOWN OPTION - EXPLODED VIEW



BACK-UP ALARM OPTION - PARTS LIST

OPTION NO. 0780-439

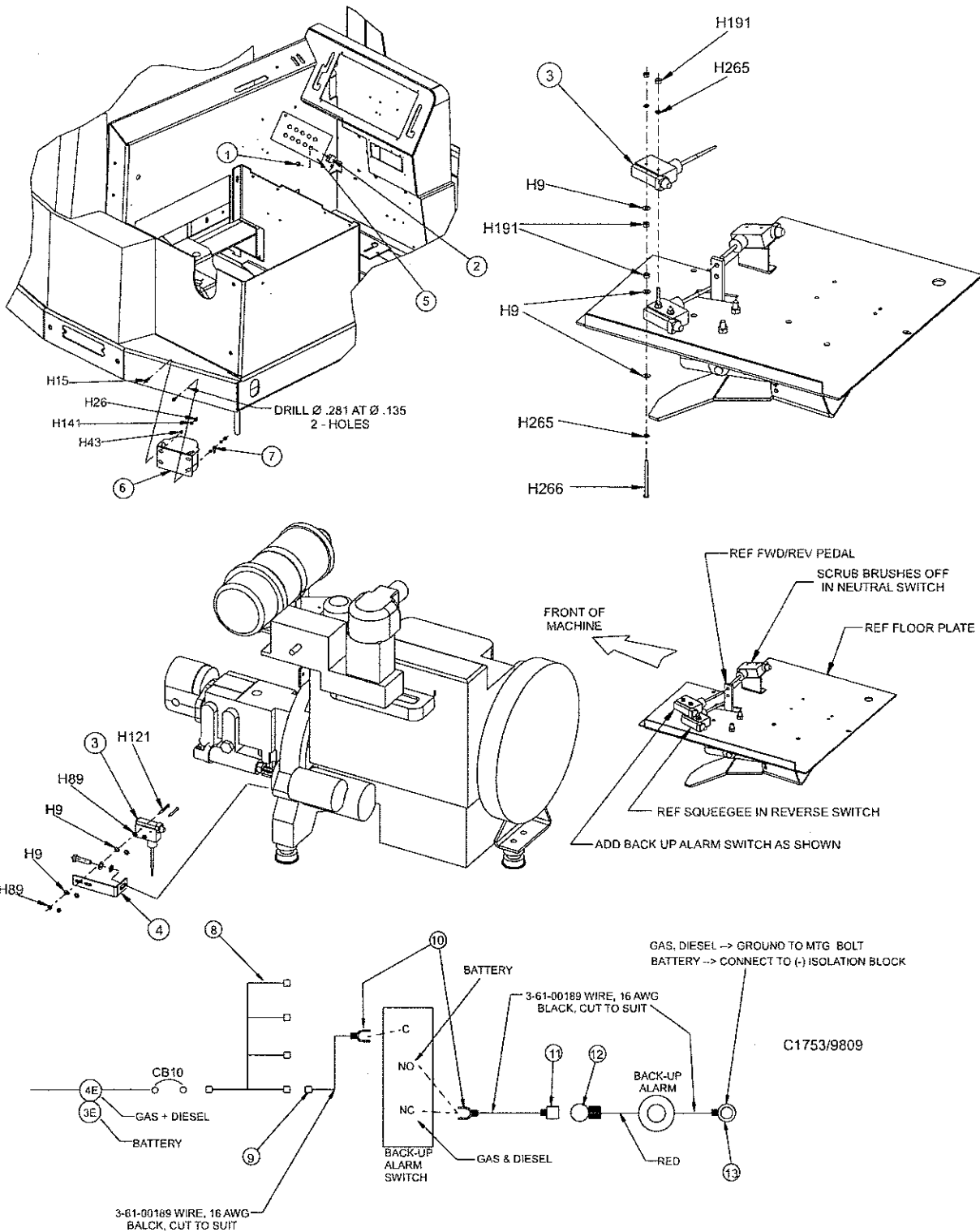
| <u>KEY NO.</u> | <u>PART NUMBER</u> | <u>DESCRIPTION</u> | <u>QTY.</u> |
|----------------|--------------------|------------------------------------|-------------|
| 1 | 8-11-00044 | Cap, Instrument Panel (Boot) | 1 |
| 2 | 8-64-00008 | Circuit Breaker 15 Amp, (Gas, LP) | 1 |
| 2 | 8-64-00007 | Circuit Breaker, 10 Amp, (Battery) | 1 |
| 3 | 8-82-00058 | Switch | 2 |
| 4 | 8-08-02040 | Bracket | 1 |
| 5 | 7-52-00148 | Panel-Circuit Breaker | Ref. |
| 6 | 8-32-09009 | Back-Up Alarm | 1 |
| 7 | 2-00-00828 | Ring Terminal | 1 |
| 8 | 8-90-07434 | Wing Wire | 1 |
| 9 | 8-11-00015 | Terminal | 1 |
| 10 | 2-00-04742 | Terminal | 2 |
| 11 | 2-00-04626 | Terminal | 1 |
| 12 | 2-00-04578 | Terminal Male Bullet | 1 |
| 13 | 2-00-00828 | Ring Terminal | |

HARDWARE USED:

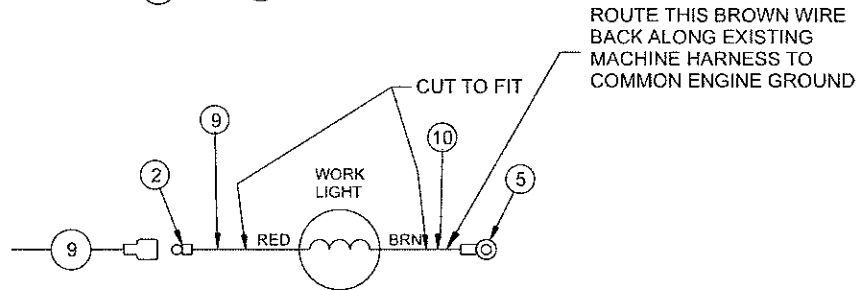
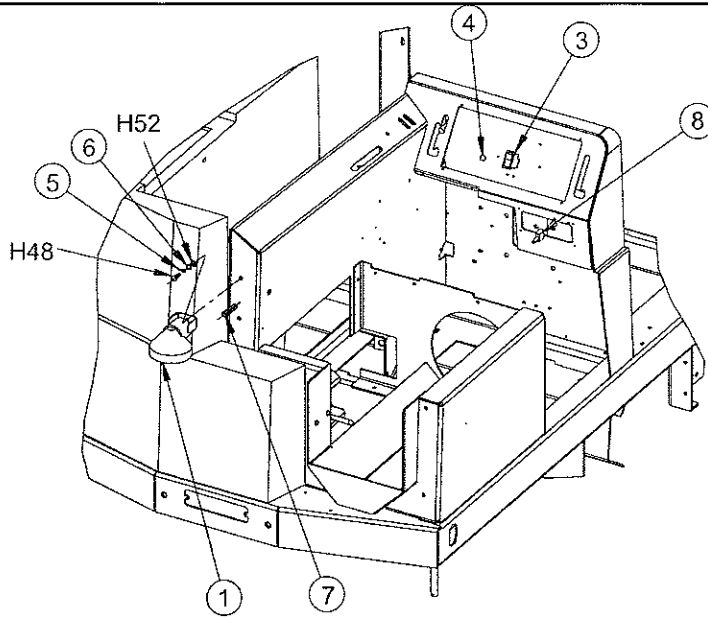
| | | | |
|------|------------|-------------------------------------|---|
| H9 | 2-00-00426 | Flat Washer, .500 x .219 x .063 | 7 |
| H15 | 2-00-00221 | Screw, 1/4-20 x .750 HHC | 2 |
| H26 | 2-00-00641 | Nut, 1/4-20 Insert Fiber | 2 |
| H43 | 2-00-00409 | Flat Washer, .687 x .344 x .062 | 2 |
| H89 | 2-00-01372 | Nut, Insert Fiber, #8-32 Steel | 4 |
| H121 | 2-00-00090 | Screw, #8-32 x 1.500 RHM | 2 |
| H141 | 2-00-00501 | Washer, Internal Lock | 2 |
| H191 | 2-00-00602 | Nut, MSCR-Hex, 8-32 | 4 |
| H265 | 2-00-00506 | Lock Washer, Int Tooth #8 Dia Screw | 3 |
| H266 | 2-00-05371 | Screw-RHM #8-32 x 2.38 | 1 |

C1753/9805

BACK-UP ALARM OPTION - EXPLODED VIEW



REAR WORK LIGHT OPTION



C1744/9709

OPTION NO. 0780-437

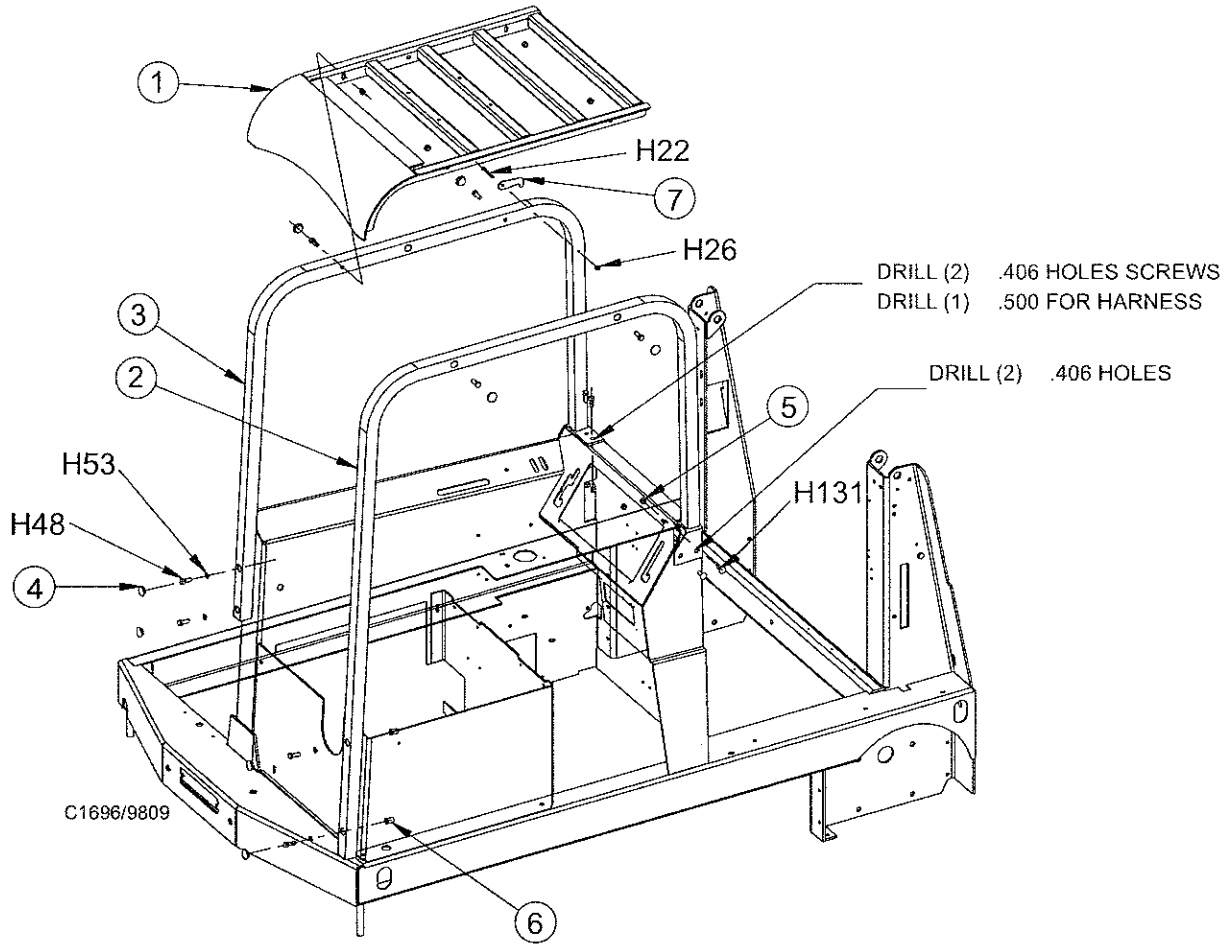
| <u>KEY NO.</u> | <u>PART NUMBER</u> | <u>DESCRIPTION</u> | <u>QTY.</u> |
|----------------|--------------------|------------------------------|-------------|
| 1 | 8-40-05022 | Light 12V (Gas, LP) | 1 |
| 1 | 8-40-05024 | Light 36V (Battery) | 1 |
| 2 | 2-00-04578 | Terminal | 1 |
| 3 | 8-82-00059 | Switch | 1 |
| 4 | 2-00-03418 | Terminal- .25 FISO | 1 |
| 5 | 2-00-05048 | Ring Terminal .38 (Gas, LP) | 1 |
| 5 | 2-00-00828 | Ring Terminal .25 (Battery) | 1 |
| 6 | 2-00-02303 | Washer, Internal Lock | 1 |
| 7 | 2-00-04626 | Terminal- .156 Female Bullet | 1 |
| 9 | 3-61-00193 | Wire, 16 Gauge Red | - |
| 10 | 3-61-00192 | Wire, 16 Gauge Brown | - |

HARDWARE USED:

| | | | |
|-----|------------|---------------------------------|---|
| H48 | 2-00-00233 | Screw, 3/8-16 x 1.000 HHC | 1 |
| H52 | 2-00-00402 | Flat Washer, .750 x .390 x .094 | 1 |

C1744/9805

OVERHEAD GUARD OPTION



OPTION NO. 0780-417

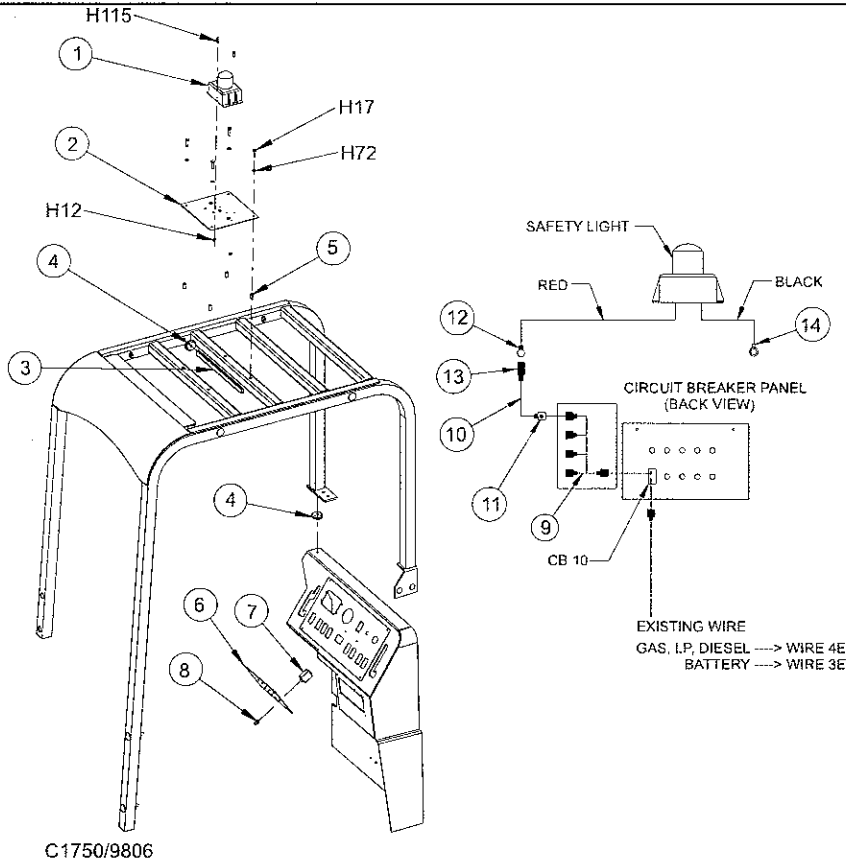
| <u>KEY NO.</u> | <u>PART NUMBER</u> | <u>DESCRIPTION</u> | <u>QTY.</u> |
|----------------|--------------------|------------------------------|-------------|
| 1 | 8-30-05174 | Overhead Guard Top Weld | 1 |
| 2 | 7-81-00200 | Overhead Guard Leg Weld - RH | 1 |
| 3 | 7-81-00199 | Overhead Guard Leg Weld - LH | 1 |
| 4 | 2-00-05134 | Plug Button | 8 |
| 5 | 2-95-04182 | Fibre Nut | 8 |
| 6 | 2-00-05347 | THD Insert - 3/8 | 2 |
| 7 | 7-41-00037 | Latch - Engine Cover | 1 |

HARDWARE USED:

| | | | |
|------|------------|--------------------------------------|----|
| H22 | 2-00-02589 | Screw, 1/4-20 x 2.000 HHC | 1 |
| H26 | 2-00-00641 | Nut, 1/4-20 Insert Fiber | 1 |
| H48 | 2-00-00233 | Screw, 3/8-16 x 1.000 HHC | 10 |
| H53 | 2-00-02310 | Lock Washer, Helical Spring 3/8 Med. | 4 |
| H131 | 2-00-03855 | Carriage bolt, 3/8-16 x 1.000 | 2 |

C1696/9809

AMBER SAFETY LIGHT OPTION WITH OVERHEAD GUARD



OPTION NO. 0780-436

| KEY NO. | PART NUMBER | DESCRIPTION | QTY. |
|---------|-------------|-------------------------|------|
| 1 | 8-40-05036 | Amber Strobe | 1 |
| | 8-40-05020 | Red Strobe | 1 |
| 2 | 8-58-05228 | Panel, Light support | 1 |
| 3 | 8-20-06036 | Duct, Wire | 1 |
| 4 | 2-00-01915 | Grommet | 2 |
| 5 | 2-00-05261 | Threaded Insert | 4 |
| 6 | 7-52-00148 | Panel, Circuit Breaker | Ref. |
| 7 | 8-64-00008 | Circuit Breaker, 15 AMP | 1 |
| 8 | 8-11-00044 | Cap, Boot | 1 |
| 9 | 8-90-07434 | Wing Wire | 1 |
| 10 | 3-61-00193 | Wire, 16 AWG Red | 7.5' |
| 11 | 8-11-00015 | Terminal | 2 |
| 12 | 2-00-04578 | Terminal | 2 |
| 13 | 2-00-04626 | Terminal | 1 |
| 14 | 2-00-04281 | Terminal | 1 |

HARDWARE USED:

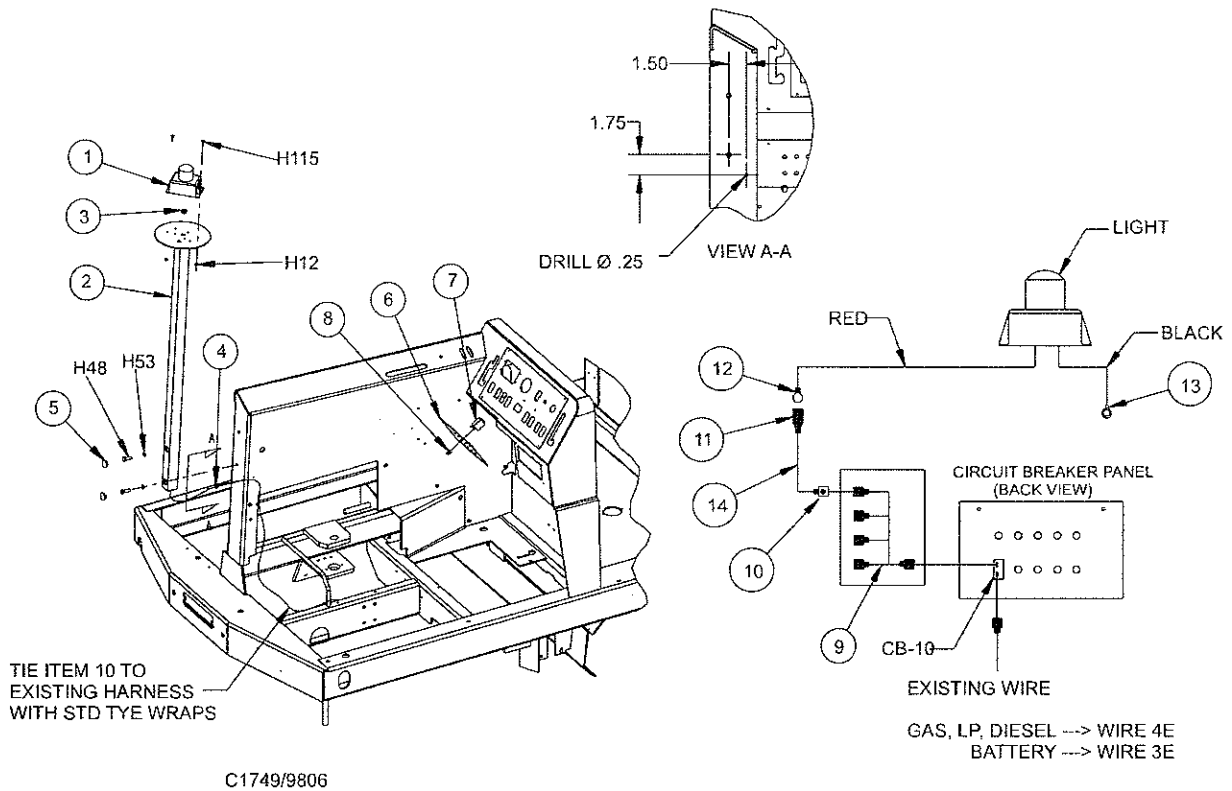
| | | | |
|------|------------|------------------------------|---|
| H12 | 2-00-01246 | Nut, Hex Fiber Insert #10-24 | 2 |
| H17 | 2-00-00205 | Screw, 1/4-20 x 1.000 HHC | 4 |
| H72 | 2-00-00518 | Lock Washer, Helical Spring | 4 |
| H115 | 2-00-03063 | Screw, #10-24 x .750 THM | 2 |

C1750/9709

3-12

American-Lincoln®
SC7750

AMBER SAFETY LIGHT OPTION WITHOUT OVERHEAD GUARD



OPTION NO. 0780-444

| <u>KEY NO.</u> | <u>PART NUMBER</u> | <u>DESCRIPTION</u> | <u>QTY.</u> |
|----------------|--------------------|----------------------------|-------------|
| 1 | 8-40-05036 | Amber Strobe - 12 - 48 VDC | 1 |
| 2 | 7-81-00204 | Support, Warning Light | 1 |
| 3 | 2-00-00491 | Grommet | 1 |
| 4 | 2-00-04200 | Grommet | 1 |
| 5 | 2-00-05134 | Plug Button | 3 |
| 6 | 7-52-00148 | Panel, Circuit Breaker | Ref. |
| 7 | 8-64-00008 | Circuit Breaker, 15 AMP | 1 |
| 8 | 8-11-00044 | Cap, Instrument Panel Boot | 1 |
| 9 | 8-90-07434 | Wing Wire | 1 |
| 10 | 8-11-00015 | Terminal | 1 |
| 11 | 2-00-04626 | Terminal | 2 |
| 12 | 2-00-04578 | Terminal | 2 |
| 13 | 2-00-04281 | Terminal #10 Ring | 1 |
| 14 | 3-61-00193 | Wire, 16 AWG Red. | 15' |
| 15 | 2-00-04345 | Tye-Rap | * |

*As Needed

HARDWARE USED:

| | | | |
|------|------------|--------------------------------------|---|
| H12 | 2-00-01246 | Nut, Hex Fiber Insert #10-24 | 2 |
| H48 | 2-00-00233 | Screw, 3/8-15 x 1.000 HHC | 2 |
| H53 | 2-00-02310 | Lock Washer, Helical Spring 3/8 Med. | 2 |
| H115 | 2-00-03063 | Screw, #10-24 x .750 THM | 2 |

C1749/9709

ESP/AUTOFIL OPTION - PARTS LIST

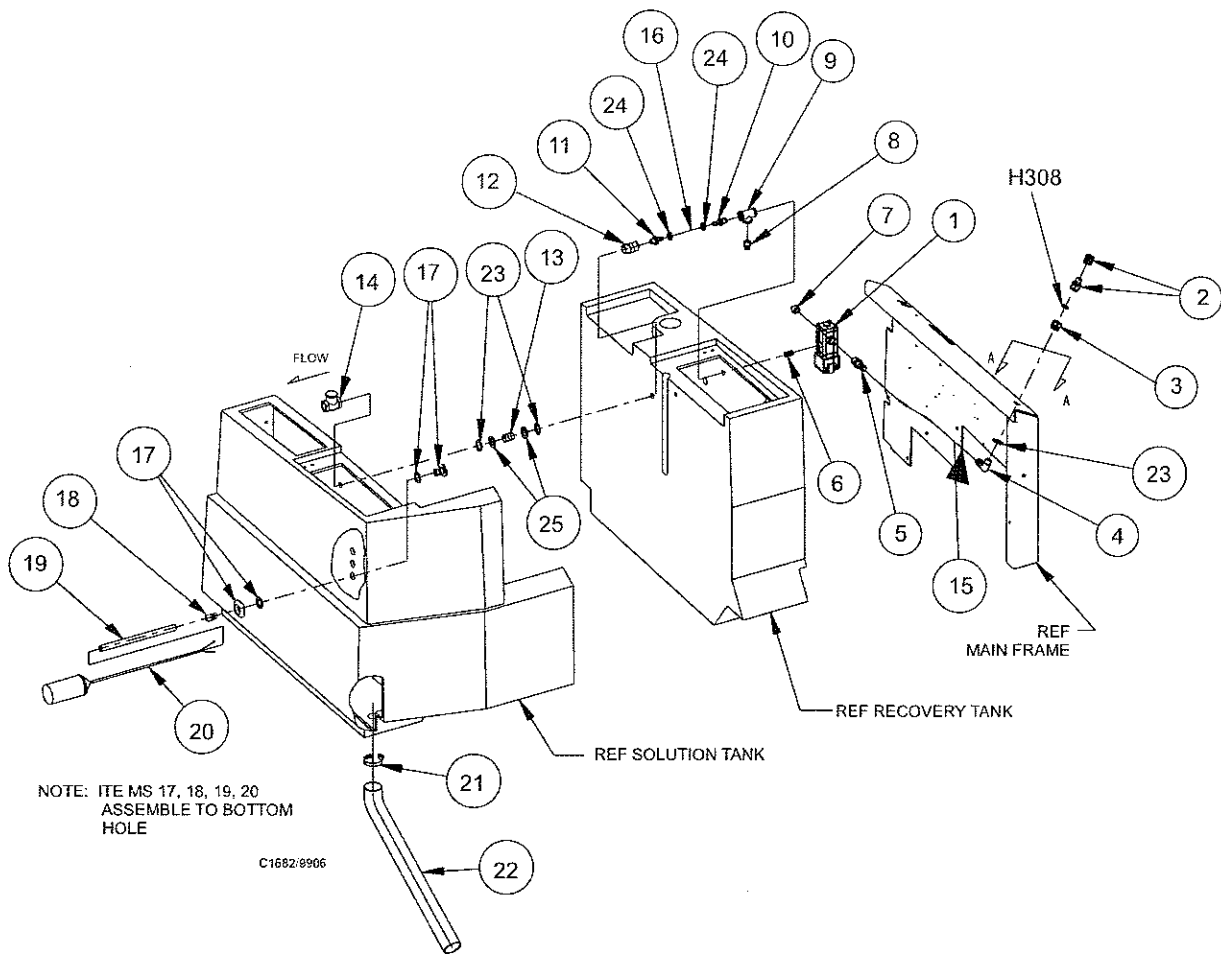
| <u>KEY NO.</u> | <u>PART NUMBER</u> | <u>DESCRIPTION</u> | <u>QTY.</u> |
|----------------|--------------------|------------------------------|-------------|
| 1 | 7-88-00078 | Valve - Autofil | 1 |
| 2 | 7-25-02087 | Connector - Quick Disconnect | 1 |
| 3 | 7-25-02088 | Coupling | 1 |
| 4 | 7-25-02053 | Fitting - 90° ¼ Tube | 1 |
| 5 | 7-25-02012 | Fitting - Hose to ¼-14 NPT | 1 |
| 6 | 2-95-02516 | Nipple - ½ NPT Close | 1 |
| 7 | 2-00-02475 | Plug - ¼ NPT | 1 |
| 8 | 7-25-02090 | Plug - Oriface | 1 |
| 9 | 2-95-02537 | Fitting - Tee ½ NPT | 1 |
| 10 | 2-00-04722 | Fitting - ½ NPT - ½ Hose | 1 |
| 11 | 2-00-05342 | Fitting - ¾ NPT - ½ Hose | 1 |
| 12 | 2-00-04736 | Coupling - ¾ NPT | 1 |
| 13 | 2-95-02518 | Nipple - ¾ Close | 1 |
| 14 | 7-88-00031 | Check Valve | 1 |
| 15 | 7-33-02371 | Hose - ¾ x 14" LG | 1 |
| 16 | 7-33-02360 | Hose - ½ x 8" LG | 1 |
| 17 | 7-09-01124 | Bushing - Bulkhead Fitting | Ref. |
| 18 | 7-09-01122 | Bushing | Ref. |
| 19 | 7-87-02188 | Tube - Float Switch | Ref. |
| 20 | 0775-217 | Solution Float (Yellow) | Ref. |
| 21 | 2-00-02217 | Hose Clamp | 1 |
| 22 | 7-87-02153 | Drain Tube | 1 |
| 23 | 2-95-03047 | Washer | 3 |
| 24 | 2-00-04345 | Tye-Rap | 2 |

HARDWARE USED:

| | | | |
|------|------------|------------------------------|---|
| H308 | 2-00-05388 | Sealing Washer 46/53 ESP OPT | 1 |
|------|------------|------------------------------|---|

C1682/9907

ESP/AUTOFIL OPTION - EXPLODED VIEW



ESP/AUTOFIL OPTION cont. - PARTS LIST

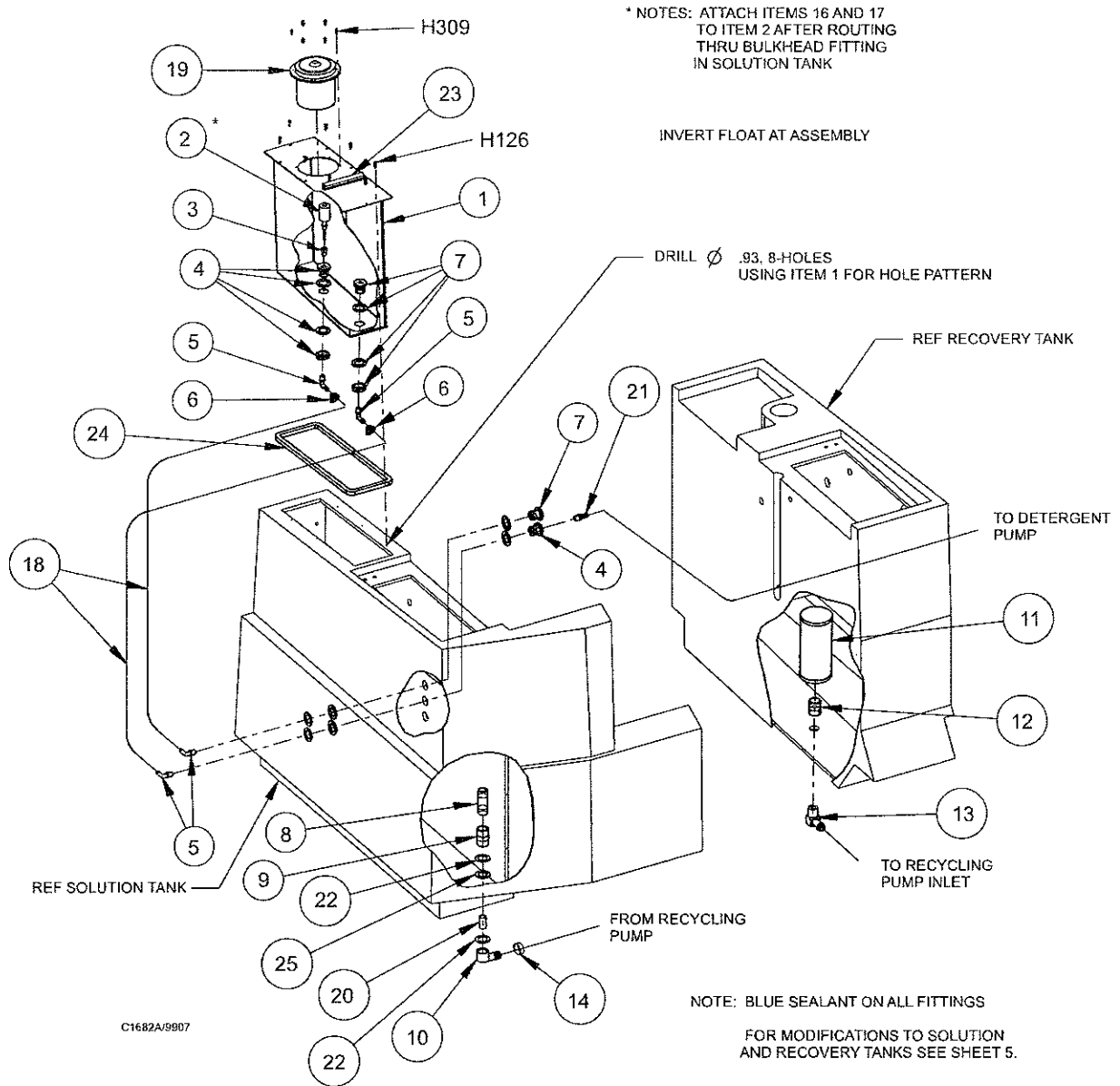
| <u>KEY NO.</u> | <u>PART NUMBER</u> | <u>DESCRIPTION</u> | <u>QTY.</u> |
|----------------|--------------------|--------------------------------|-------------|
| 1 | 7-83-04172 | Tank, Detergent | 1 |
| 2 | 7-82-00017 | Float | 1 |
| 3 | 2-00-05003 | Fitting, Reducer | 1 |
| 4 | 7-25-02080 | Fitting, Bulkhead (Det. Float) | 2 |
| 5 | 2-00-04654 | Fitting 90° | 4 |
| 6 | 7-13-07084 | Clamp, Hose | 2 |
| 7 | 2-00-05346 | Fitting, Bulkhead (Det. Tank) | 2 |
| 8 | 2-95-04267 | Nipple, 3/4 NPT x 3.0" LG | 1 |
| 9 | 2-00-04736 | Coupling, 3/4 NPT | 1 |
| 10 | 2-00-05132 | Fitting, 90 ° 3/4 NPT 1/4 Tube | 1 |
| 11 | 7-24-04027 | Filter | 1 |
| 12 | 7-25-02089 | Coupling, 3/4 NPT (PVC) | 1 |
| 13 | 7-25-02038 | Fitting, 90° | 1 |
| 14 | 2-00-02220 | Clamp, Hose | 1 |
| 15 | | | |
| 16 | 2-00-04551 | Terminal, .156 Male Bullet | 1 |
| 17 | 2-00-04584 | Terminal, .156 Female Bullet | 1 |
| 18 | 7-33-02372 | Hose, .25 ID x18" LG | 2 |
| 19 | 7-11-00031 | Filter Assembly | 1 |
| 20 | 2-00-05131 | Nipple | 1 |
| 21 | 2-74-00001 | Fitting - Plastic | 1 |
| 22 | 2-95-03047 | Washer | 1 |
| 23 | 3-73-00060 | Bumper | 5" |

HARDWARE USED:

| | | | |
|------|------------|----------------------|---|
| H126 | 2-00-03466 | Screw, #10-16 x .500 | 8 |
| H309 | 2-00-01081 | | 6 |

C1682a/9907

ESP/AUTOFIL OPTION cont. - EXPLODED VIEW



ESP/AUTOFIL OPTION cont. - PARTS LIST

| <u>KEY NO.</u> | <u>PART NUMBER</u> | <u>DESCRIPTION</u> | <u>QTY.</u> |
|----------------|--------------------|------------------------|-------------|
| 1 | 7-60-05031 | Detergent Pump | 1 |
| 2 | 8-75-01207 | Spacer | 2 |
| 3* | 7-60-05025 | Recycling Pump | 1 |
| 4 | | | |
| 5 | | | |
| 6 | 8-08-00845 | Bracket | 1 |
| 7 | 7-23-03056 | Nut, Special | 1 |
| 8 | 8-82-00058 | Switch | 2 |
| 9 | 2-00-05396 | Fitting | 1 |
| 10 | 2-00-03407 | Hose Clamp | 2 |
| 11 | 2-00-05412 | Reducer Connector | 2 |
| 12 | 7-33-02370 | Hose - .75 ID x 50" LG | 2 |
| 13 | 7-33-02368 | Hose - .25 ID x 18" LG | 1 |
| 14 | 7-33-02367 | Hose - .25 ID x 30" LG | 1 |
| 15# | 7-33-02387 | Hose- .75 ID x 72" LG | 1 |

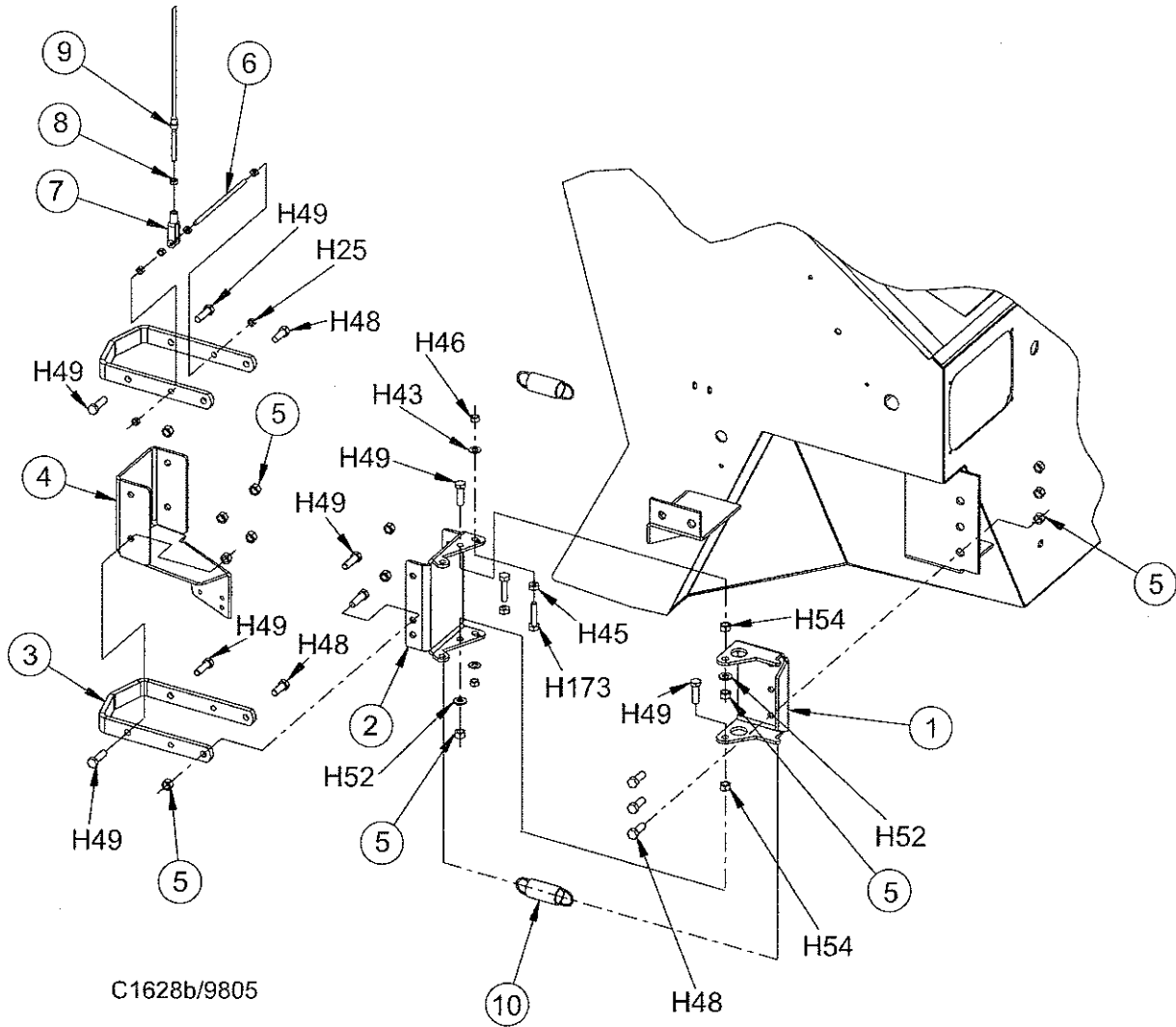
HARDWARE USED:

| | | | |
|-------|------------|-------------------------------------|---|
| H8 | 2-00-00039 | Screw, #10-24 x 1.000 RHM | 4 |
| H9 | 2-00-00426 | Flat Washer, .500 x .219 x .063 | 8 |
| H12 | 2-00-01246 | Nut, Hex Fiber Insert #10-24 | 6 |
| H15 | 2-00-00221 | Screw, 1/4-20 x .750 HHC | 2 |
| H19 | 2-00-02587 | Screw, 1/4-20 x 1.250 HHC | 2 |
| H25 | 2-00-00594 | Nut, Hex 1/4-20 x .437 x .218 | 2 |
| H26 | 2-00-00641 | Nut, 1/4-20 Insert Fiber | 4 |
| H27 | 2-00-03702 | Washer, .625 x .281 x .063 | 2 |
| H45 | 2-00-00585 | Nut, Hex 5/16-18 x .500 x .265 | 1 |
| H191 | 2-00-00602 | Nut, MSCR - hex 8-32 | 2 |
| H231# | 2-00-02933 | Screw, Mach. 10-24 x 3.50 | 2 |
| H255# | 2-00-00227 | Screw-HHC .313-18 x 2.25 | 1 |
| H265# | 2-00-00506 | Lock Washer, Int Tooth #8 Dia Screw | 2 |
| H266# | 2-00-05371 | Screw-RHM #8-32 x 2.38 | 2 |

* Gas Only
Battery Only

C1682b/9907

ESP/AUTOFIL OPTION cont. - EXPLODED VIEW



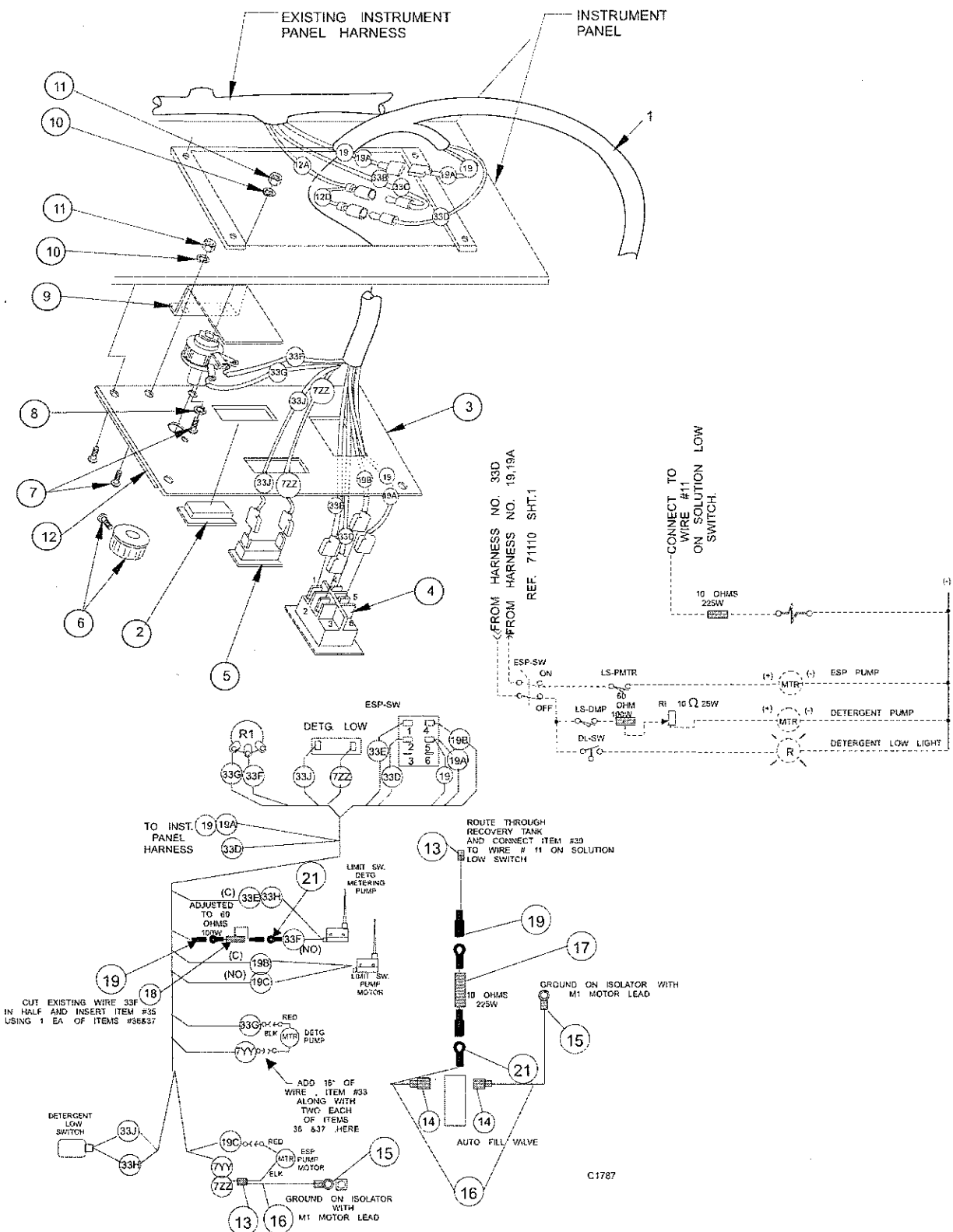
C1628b/9805

ESP/AUTOFIL WIRING - BATTERY - PARTS LIST

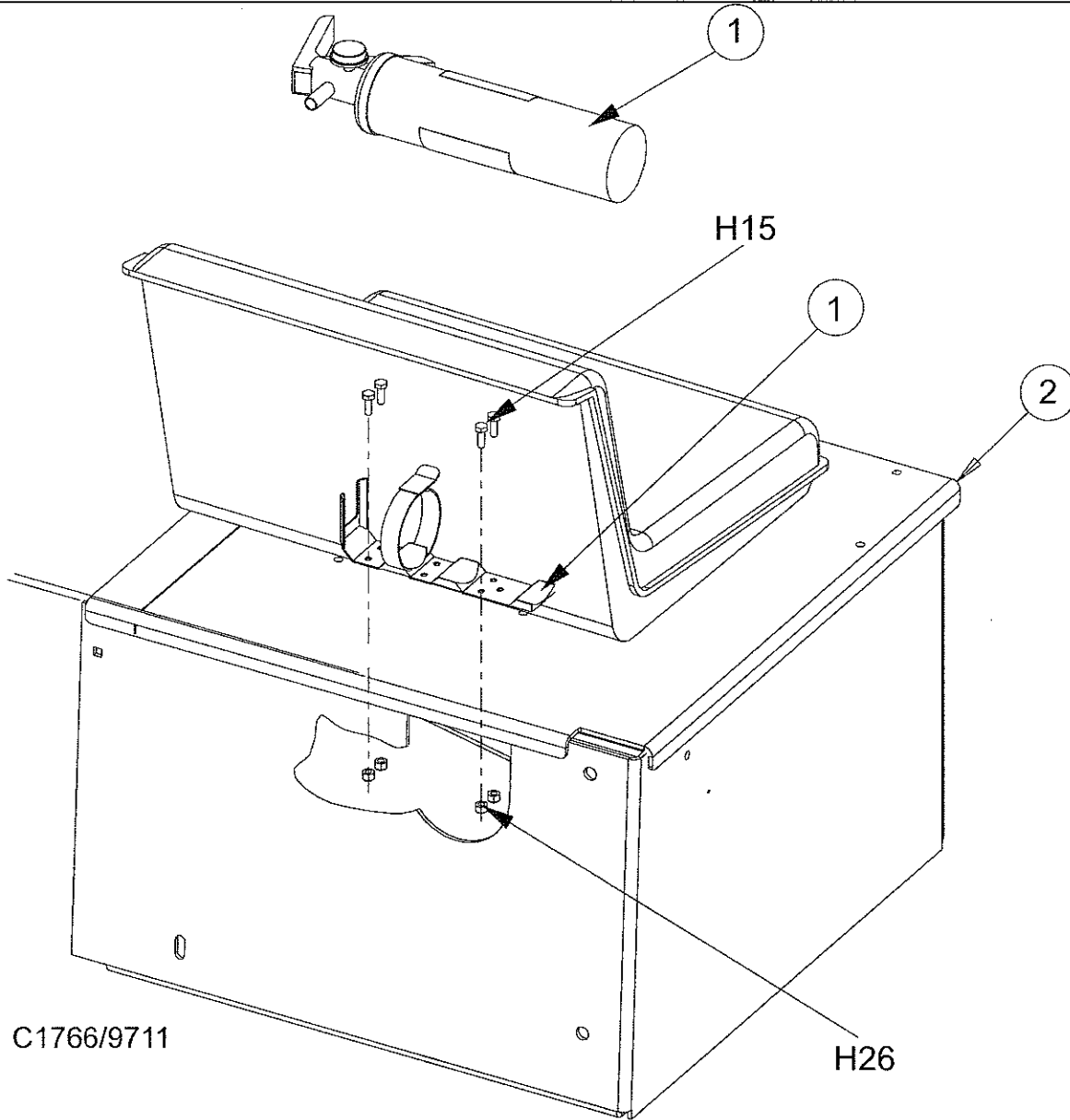
| <u>KEY NO.</u> | <u>PART NUMBER</u> | <u>DESCRIPTION</u> | <u>QTY.</u> |
|----------------|--------------------|------------------------------------|-------------|
| 1 | 0795-122 | ESP Wiring Harness | 1 |
| 2 | | Hole Plug | 1 |
| 3 | 7-52-00082 | ESP Instrument Panel | 1 |
| 4 | 7-82-00022 | Switch, On/Off DPS | 1 |
| 5 | 7-40-05030 | Light-32V | 1 |
| 6 | 7-39-00021 | Knob | 1 |
| 7 | 2-00-03059 | Screw, #10-24 x .375 RHM | 2 |
| 8 | 2-00-02296 | Lock Washer, #10 Ext | 2 |
| 9 | 7-30-05057 | Guard, Rheostat | 1 |
| 10 | 2-00-00529 | Lock Washer, Helical Spring #8 Med | 2 |
| 11 | 2-00-00605 | Nut, Hex MS #10-24 THDS | 2 |
| 12 | 7-18-00136 | Decal, Detergent Flow | 1 |
| 13 | 2-00-04479 | Terminal-3-Way | 2 |
| 14 | 2-00-03418 | Terminal-.25 FISO Fem | 2 |
| 15 | 2-00-05048 | Terminal-.25 Ring | 2 |
| 16 | 3-61-00189 | Wire-16 AWG. Black | 10' |
| 17 | 0775-223 | Assy. Resistor | 1 |
| 18 | 0775-222 | Assy. Resistor | 1 |
| 19 | 2-00-04626 | Terminal, .156 Female Bullet | 4 |
| 20 | 2-00-04584 | Terminal, .156 Male Bullet | 4 |

C1787/9806

ESP/AUTOFIL WIRING - BATTERY - EXPLODED VIEW



FIRE EXTINGUISHER



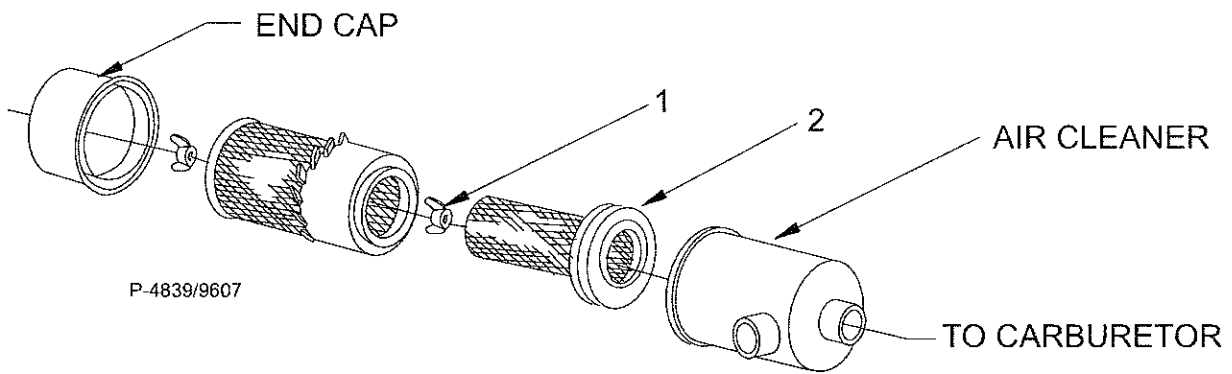
| KEY NO. | PART NUMBER | DESCRIPTION | QTY. |
|---------|-------------|-------------------|------|
| 1 | 8-83-04033 | Fire Extinguisher | 1 |
| 2 | 8-52-00186 | Panel-Seat MTG | 1 |

HARDWARE USED:

| | | | |
|-----|------------|--------------------------|---|
| H15 | 2-00-00221 | Screw, 1/4-20 X .750 HHC | 4 |
| H26 | 2-00-00641 | Nut, 1/4-20 Insert Fiber | 4 |

C1766/9711

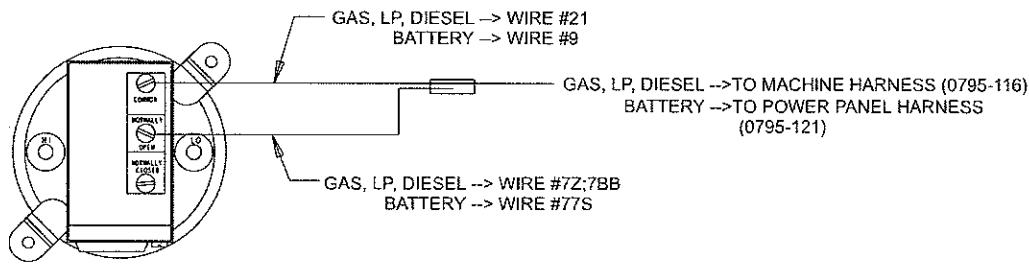
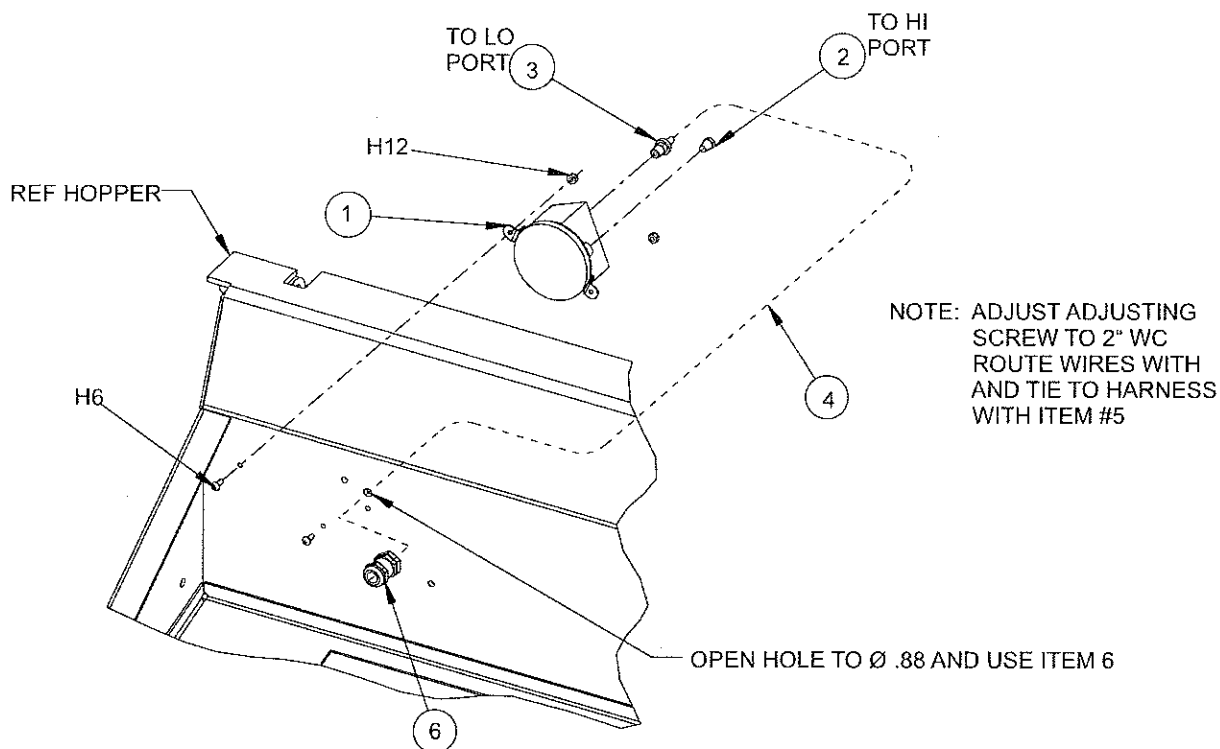
HEAVY DUTY AIR CLEANER OPTION



| <u>KEY NO.</u> | <u>PART NUMBER</u> | <u>DESCRIPTION</u> | <u>QTY.</u> |
|----------------|--------------------|--------------------|-------------|
| 1 | 8-23-03064 | Wing Nut Assembly | 1 |
| 2 | 8-24-04111 | Filter Element | 1 |

P4839/9607

CLOGGED FILTER OPTION



C1761/0110

BACK VIEW OF
REGULATOR SWITCH

| KEY NO. | PART NUMBER | DESCRIPTION | QTY. |
|---------|-------------|-----------------------------|------|
| 1 | 8-63-05008 | Switch, Pressure Dif. | 1 |
| 2 | 8-24-04075 | Filter Plug | 1 |
| 3 | 2-00-04518 | Fitting, 1/8 NPT - 1/4 Tube | 1 |
| 4 | 7-87-02155 | Hose, 3/8 - 9"LG | 1 |
| 5 | 2-00-04345 | Tye-Raps | 10 |
| 6 | 8-09-01083 | Grommet | 1 |

HARDWARE USED:

| | | | |
|-----|------------|---------------------------------|---|
| H6 | 2-00-00049 | Screw, #10-24 x .500 RHM | 2 |
| H12 | 2-00-01246 | Nut, Hex Fiber Insert # 10 - 24 | 2 |

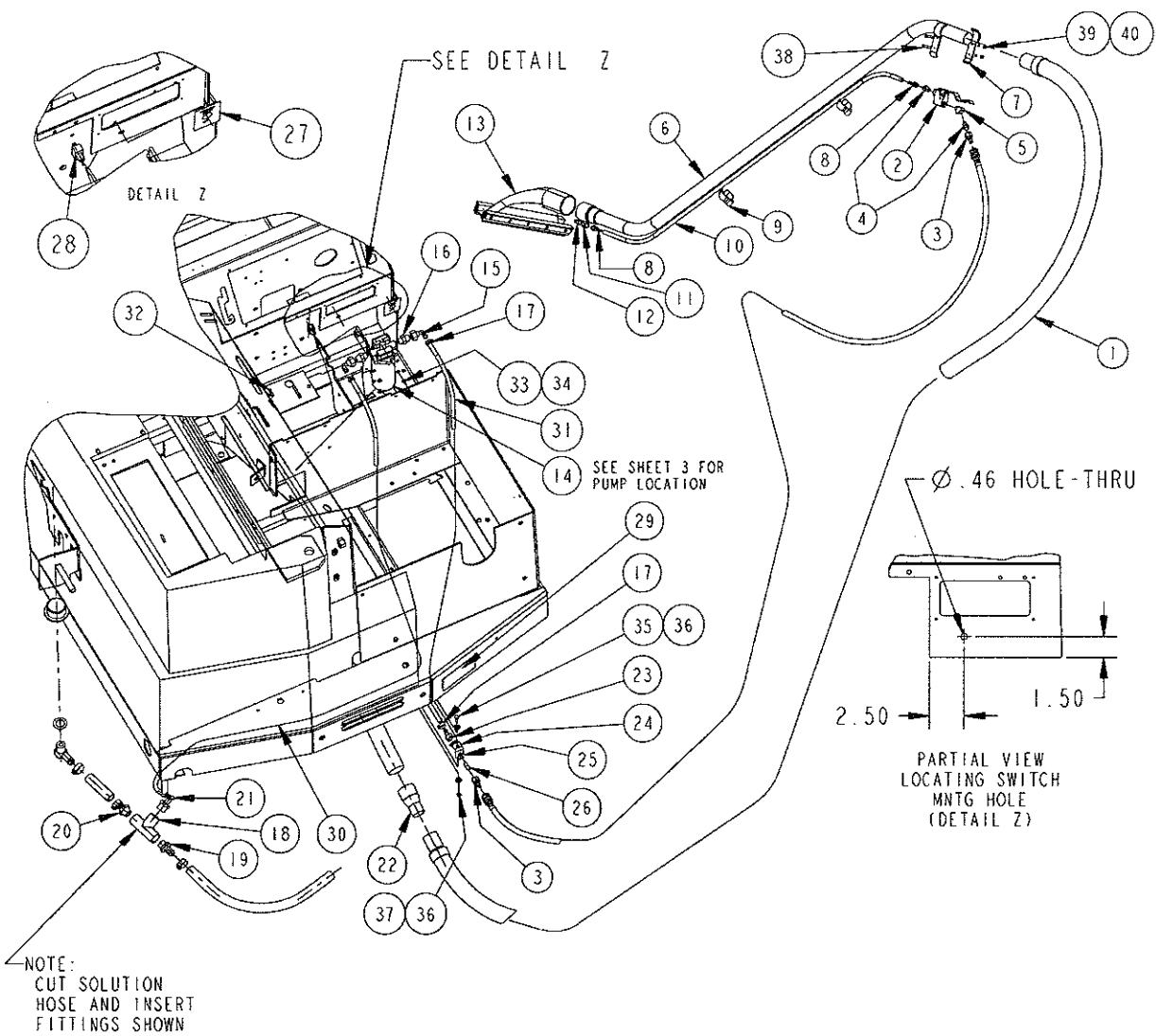
C1761/0111

SPRAY WAND OPTION - PARTS LIST

| <u>KEY NO.</u> | <u>PART NUMBER</u> | <u>DESCRIPTION</u> | <u>QTY.</u> |
|----------------|--------------------|---|-------------|
| 1 | 0261-029 | Hose Assembly | 1 |
| 2 | 7-88-00058 | Valve - Solution (1/4 NPT) | 1 |
| 3 | 7-16-05028 | Coupling, Quick Disconnect | 2 |
| 4 | 2-00-05206 | Reducer | 2 |
| 5 | 8-56-05026 | 45° Street Elbow | 1 |
| 6 | 0261-025 | Wand Assembly | 1 |
| 7 | 7-13-07139 | Clamp Valve | 2 |
| 8 | 2-00-05207 | Adapter | 2 |
| 9 | 7-13-07140 | Clamp Hose | 5 |
| 10 | 7-33-02306 | Solution Feed Hose | 1 |
| 11 | 2-00-05208 | Adapter | 1 |
| 12 | 7-50-01002 | Spray Nozzle | 1 |
| 13 | 0261-024 | Squeegee Toll Assembly | 1 |
| 14 | 7-60-05022 | Water Pump (12VDC) Gas, LP, Diesel | 1 |
| 14 | 7-60-05017 | Water Pump (36 VDC) Battery | 1 |
| 15 | 7-25-02073 | Fitting, 90° Elbow | 2 |
| 16 | 7-03-00047 | Adapter | 2 |
| 17 | 2-95-04388 | Hose Clamp | 5 |
| 18 | 7-25-02037 | Tee (3/4 important) | 1 |
| 19 | 7-25-02052 | Fitting Straight | 2 |
| 20 | 2-00-02037 | Hose Clamp | 3 |
| 21 | 2-00-04655 | Fitting, 90° Elbow | 1 |
| 22 | 7-03-00044 | Hose Adapter | 1 |
| 23 | 2-00-05211 | Adapter | 1 |
| 24 | 7-08-00769 | Bracket, Hose Connection | 1 |
| 25 | 2-00-00415 | Washer | 2 |
| 26 | 2-00-03875 | Pipe Nipple, Close | 1 |
| 27 | 7-18-00217 | Decal | 1 |
| 28 | 2-00-03499 | Switch | 1 |
| 29 | 7-18-00121 | Decal - Warning | 1 |
| 30 | 3-71-03025 | Hose - 3/8" Clear | 3' |
| 31 | 3-71-00081 | Hose | 5' |
| 32 | 2-00-00039 | Screw, 10-24 x 1.000 RHM | 4 |
| 33 | 2-00-00460 | Flat Washer, .437 x .192 x .031-s | 4 |
| 34 | 2-00-01246 | Nut, Hex Fiber Insert #10-24 | 4 |
| 35 | 2-00-00221 | Screw, 1/4-20 x .750 HHC | 1 |
| 36 | 2-00-00503 | Lock Washer, 1/4 Ext | 2 |
| 37 | 2-00-00594 | Nut, Hex 1/4-20 x .437 x .218 | 1 |
| 38 | 2-00-00089 | Screw, 10-24 x 1.500 RHM | 2 |
| 39 | 2-00-04686 | Lock Washer - Helical #10 Scr. Med. SST | 2 |
| 40 | 2-00-00605 | Nut, Hex MS # 10-24 x .375 x .125 | 2 |

C1760/0206

SPRAY WAND OPTION - EXPLODED VIEW

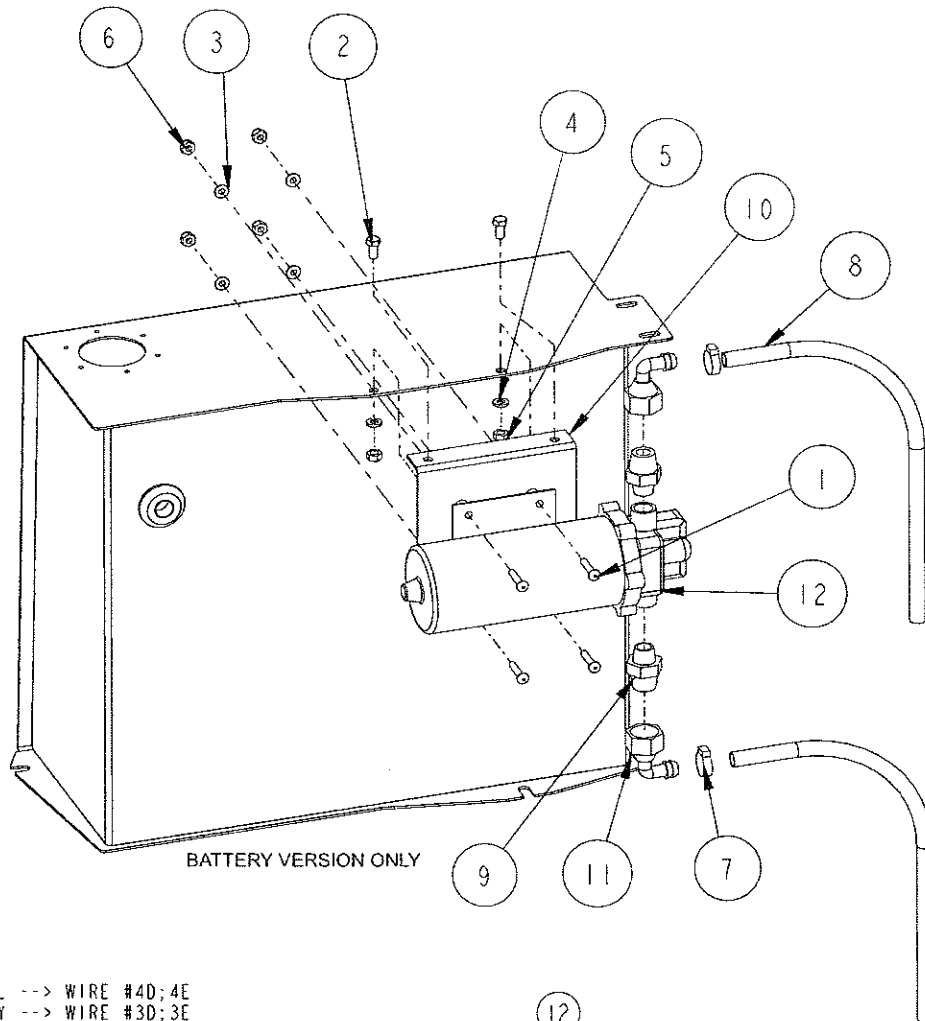


SPRAY WAND OPTION - PARTS LIST

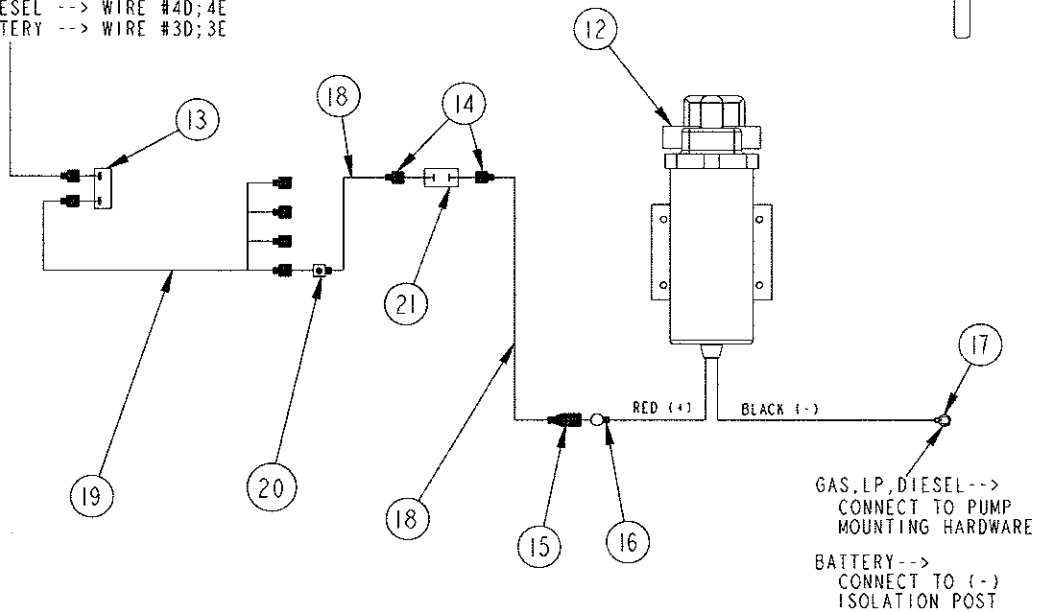
| <u>KEY NO.</u> | <u>PART NUMBER</u> | <u>DESCRIPTION</u> | <u>QTY.</u> |
|----------------|--------------------|---------------------------------------|-------------|
| 1 | 2-00-00039 | Screw, 10-24 x 1.000 RHM | 4 |
| 2 | 2-00-00219 | Bolt, Hex Head, Finished, 1/4-20 | 2 |
| 3 | 2-00-00460 | Flat Washer, .437 x .192 x .031-s | 4 |
| 4 | 2-00-00518 | Washer, Lock, 1/4", Helical Spring | 2 |
| 5 | 2-00-00594 | Nut, Hex 1/4-20 x .437 x .218 | 1 |
| 6 | 2-00-01246 | Nut, Hex Fiber Insert #10-24 | 8 |
| 7 | 2-95-04388 | Hose Clamp | 2 |
| 8 | 3-71-00081 | Hose | 8' |
| 9 | 7-03-00047 | Adapter, Plastic 3/8-1/2 NPT | 2 |
| 10 | 7-08-01119 | Bracket, Spray Pump | 1 |
| 11 | 7-25-02073 | Fitting, 90° Elbow 1/2 NPT x 3/8 BARB | 2 |
| 12 | 7-60-05017 | Water Pump - 36VDC (Battery) | 1 |
| 12 | 7-60-05022 | Water Pump - 12 VDC (Gas, LP, Diesel) | 1 |
| 13 | 8-64-00008 | Circuit Breaker | 1 |
| 14 | 2-00-03418 | Terminal, .25 FISO | 3 |
| 15 | 2-00-04626 | Terminal, .156 Fem. Bullet | 1 |
| 16 | 2-00-04578 | Terminal, .156 Male Bullet | 1 |
| 17 | 2-00-04281 | Terminal, #10 Ring (Gas, LP, Diesel) | 1 |
| 17 | 2-00-00828 | Terminal, .25 Ring (Battery) | 1 |
| 18 | 3-61-00189 | Wire, 16 AWG | - |
| 19 | 8-90-07434 | Wing Wire | 1 |
| 20 | 8-11-00015 | Terminal-.25 FISO Male | 1 |
| 21 | 2-00-03499 | Switch, Toggle | Ref. |

C1762/0206

SPRAY WAND OPTION - EXPLODED VIEW



GAS, LP, DIESEL --> WIRE #4D; 4E
 BATTERY --> WIRE #3D; 3E



NOTE: ROUTE WITH EXISTING HARNESS USING
 TYE-RAPS WHEN NEEDED

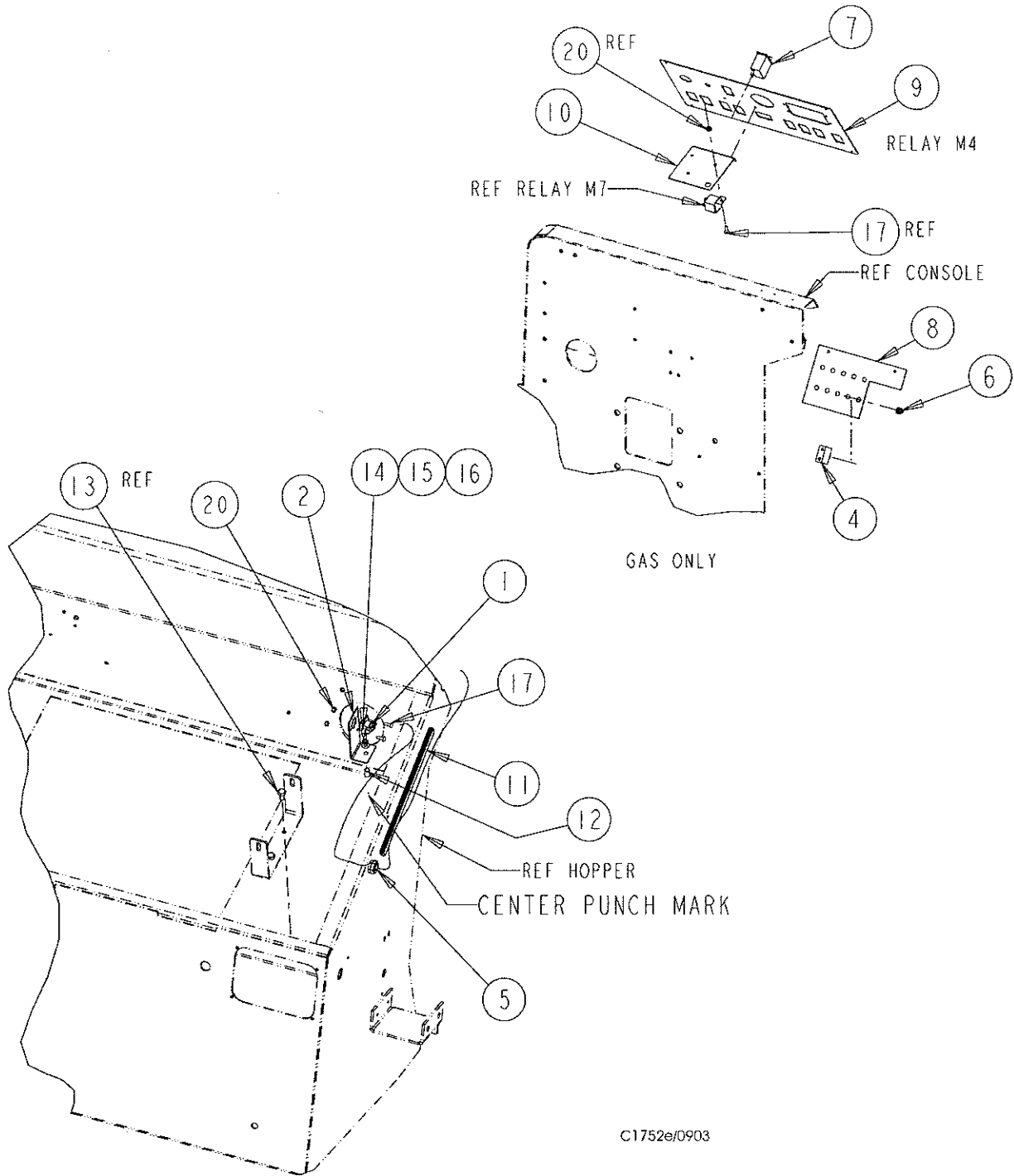
WET SWEEP BYPASS/THERMO SENSOR OPTION - PARTS LIST

OPTION NO. 0780-435

| <u>KEY NO.</u> | <u>PART NUMBER</u> | <u>DESCRIPTION</u> | <u>QTY.</u> |
|----------------|--------------------|------------------------------|-------------|
| 1 | 8-82-00056 | Switch - Thermostat | 1 |
| 2 | 8-08-00803 | Switch - Bracket | 1 |
| 3 | 8-64-05009 | Relay (M4; M7) | 2 |
| 4 | 8-64-00008 | Circuit Breaker 15A | 1 |
| 5 | 8-09-01083 | Bushing - Liq. Tight | Ref. |
| 6 | 8-11-00044 | Boot - Switch | 1 |
| 7 | 8-82-00059 | Switch - On/Off (SPST) | 1 |
| 8 | 7-52-00147 | Instrument Panel | Ref. |
| 9 | 7-52-00148 | Circuit Breaker Panel | Ref. |
| 10 | 8-08-00838 | Relay Panel | Ref. |
| 11 | 7-20-06012 | Duct - 6" | Ref. |
| 12 | 2-00-05261 | Threaded Insert | 1 |
| 13 | 2-00-00208 | Screw, 5/16-18 x .750 HHC | Ref. |
| 14 | 2-00-00220 | Screw, 1/4-20 x .625 HHC | 1 |
| 15 | 2-00-03702 | Washer, .625 x .281 x .063 | 1 |
| 16 | 2-00-00518 | Lock Washer, Helical Spring | 1 |
| 17 | 2-00-03062 | Screw, #10-24 x .625 THM | 2 |
| 18 | 2-00-01246 | Nut, Hex Fiber Insert #10-24 | 1 |

C1752e/0903

WET SWEEP BYPASS/THERMO SENSOR OPTION - EXPLODED VIEW



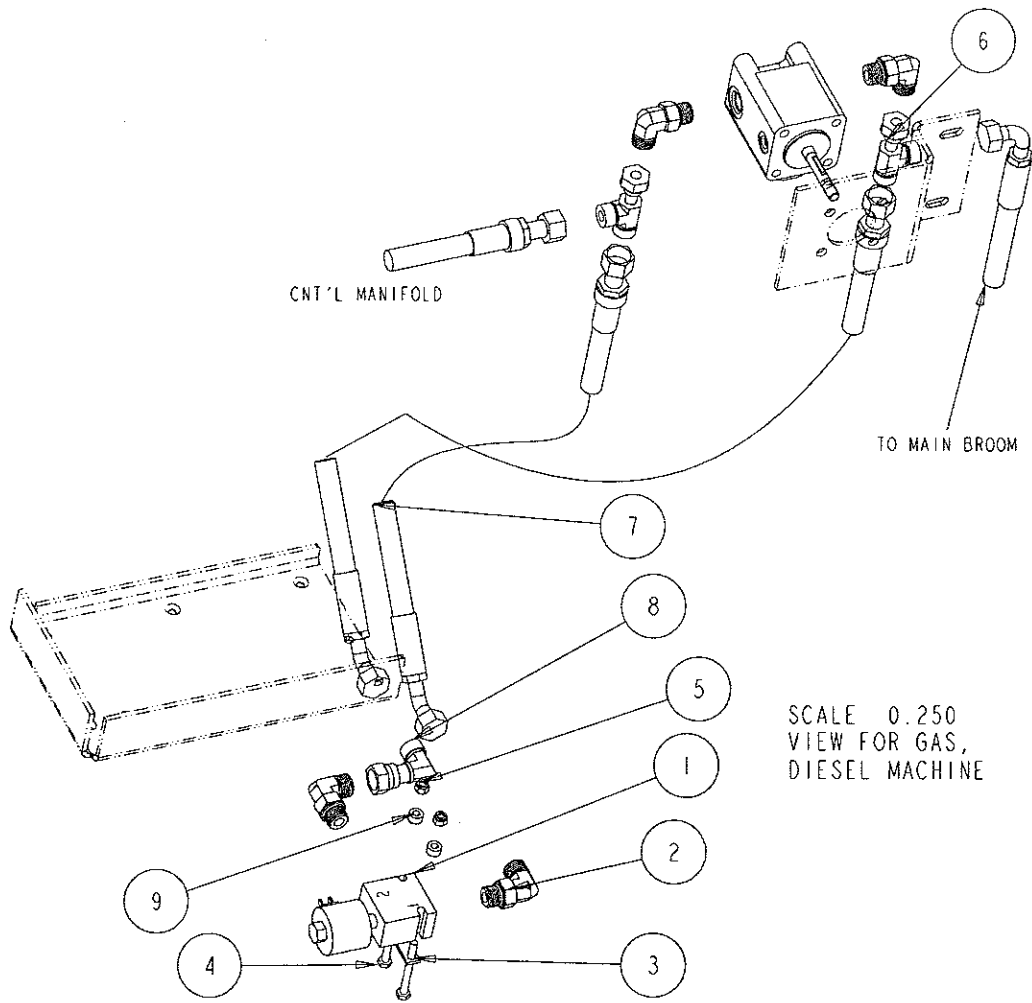
WET SWEEP BYPASS/THERMO SENSOR OPTION - PARTS LIST (cont)

OPTION NO. 0780-435 (cont)

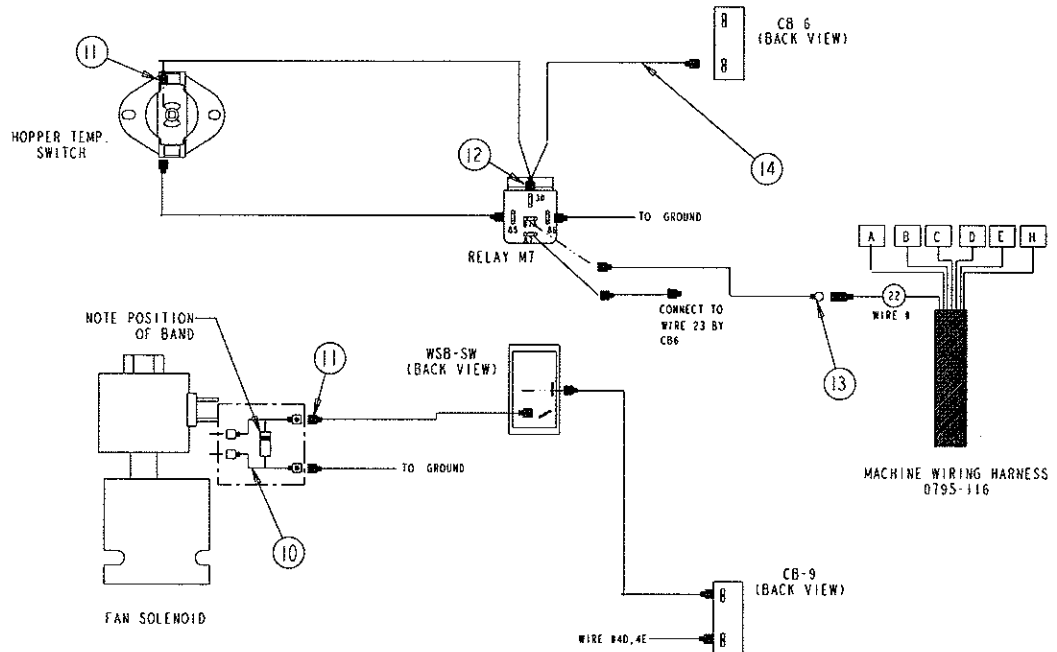
| <u>KEY NO.</u> | <u>PART NUMBER</u> | <u>DESCRIPTION</u> | <u>QTY.</u> |
|----------------|--------------------|-----------------------------------|-------------|
| 1 | 8-88-00042 | Solenoid Valve | 1 |
| 2 | 2-00-04885 | Fitting, 90° Elbow, O-Ring | 4 |
| 3 | 8-08-00590 | Bracket | 1 |
| 4 | 2-00-01980 | Screw, 1/4-20 x 2.500 HHC | 2 |
| 5 | 2-00-00641 | Nut, Fiber Insert 1/4-20 | 2 |
| 6 | 2-00-04928 | Fitting, 13/16-16 x 13/16-16 Tee | 2 |
| 7 | 2-00-02325 | Hose, #8 45 x STR x 34" LG | 2 |
| 8 | 2-00-05046 | Fitting, -8 ORS Swivel, 90° Elbow | 1 |
| 9 | 7-15-01031 | Collar, Clamp | 2 |
| 10 | 0875-177 | Diode Assembly | 1 |
| 11 | 2-00-03418 | Terminal - .25 FISO | 13 |
| 12 | 2-00-04708 | Terminal - .25 FISO | 3 |
| 13 | 2-00-04578 | Terminal - .156 M Bullet | 1 |
| 14 | 3-61-00189 | Wire - 16 AWG, Black | 35' |

C1754e/0903

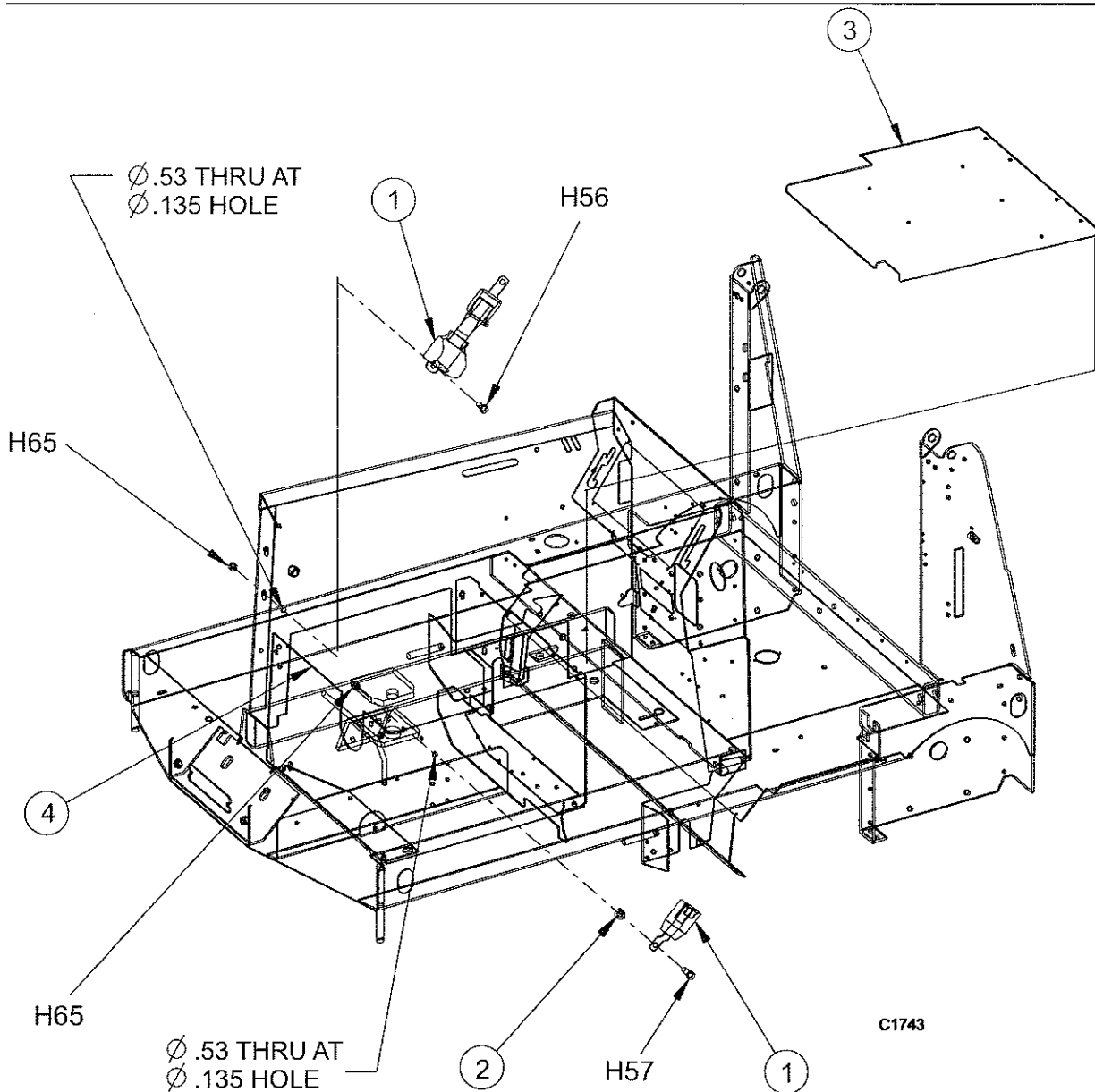
WET SWEEP BYPASS/THERMO SENSOR OPTION - EXPLODED VIEW (cont)



C1754e/0903



RETRACTABLE SEATBELT OPTION



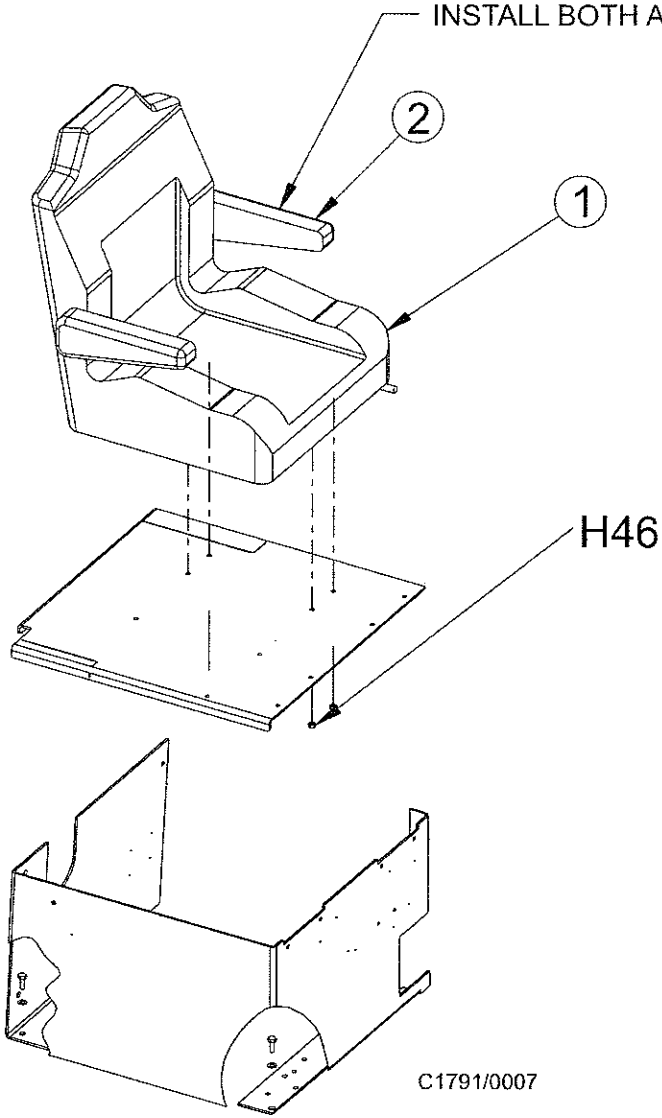
| KEY NO. | PART NUMBER | DESCRIPTION | QTY. |
|---------|-------------|--------------------------|------|
| 1 | 2-00-05391 | Retractable Seat Belt | 1 |
| 2 | 2-00-03589 | Set Collar | 1 |
| 3 | 8-52-00186 | Panel - Seat Mounting | Ref. |
| 4 | 8-33-05124 | Housing - Seat and Panel | Ref. |

HARDWARE USED:

| | | | |
|-----|------------|---------------------------|---|
| H56 | 2-00-00239 | Screw, 1/2-13 x 1.000 HHC | 1 |
| H57 | 2-00-00240 | Screw, 1/2-13 x 1.250 HHC | 1 |
| H65 | 2-00-04936 | Nut, 1/2-13 Fibre Lock | 2 |

C1743/9707

SUSPENSION SEAT OPTION



NOTE: DO NOT USE SEAT MOUNTED SEATBELT ON THIS MACHINE

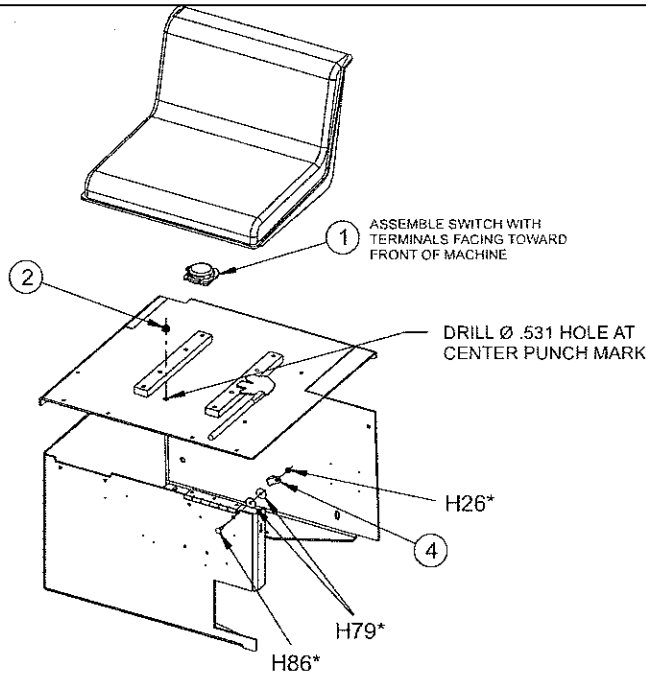
| <u>KEY NO.</u> | <u>PART NUMBER</u> | <u>DESCRIPTION</u> | <u>QTY.</u> |
|----------------|--------------------|--------------------|-------------|
| 1 | 8-69-00019 | Seat - Suspension | 1 |
| 2 | 8-03-04320 | Kit - Arm Rest | 1 |

HARDWARE USED:

| | | | |
|-----|------------|----------------------------|---|
| H46 | 2-00-00644 | Nut, 5/16-18, Insert Fiber | 4 |
|-----|------------|----------------------------|---|

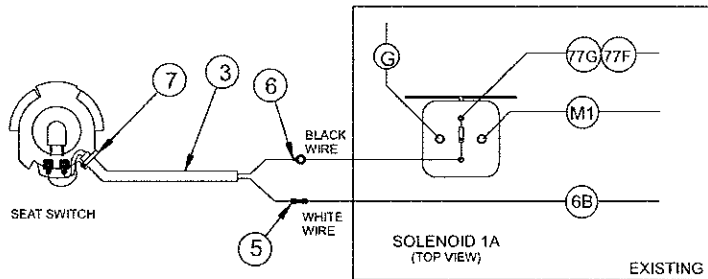
C1791/0007

SEAT SWITCH KIT



* USE EXISTING HARDWARE

NOTE: REMOVE EXISTING WIRE 6B FROM SOLENOID 1A AND RECONNECT TO SEAT SWITCH HARNESS WITH BUTT SPLICE. CONNECT OTHER WIRE FROM SEAT SWITCH HARNESS TO SOLENOID 1A AS SHOWN.



C1792/0007

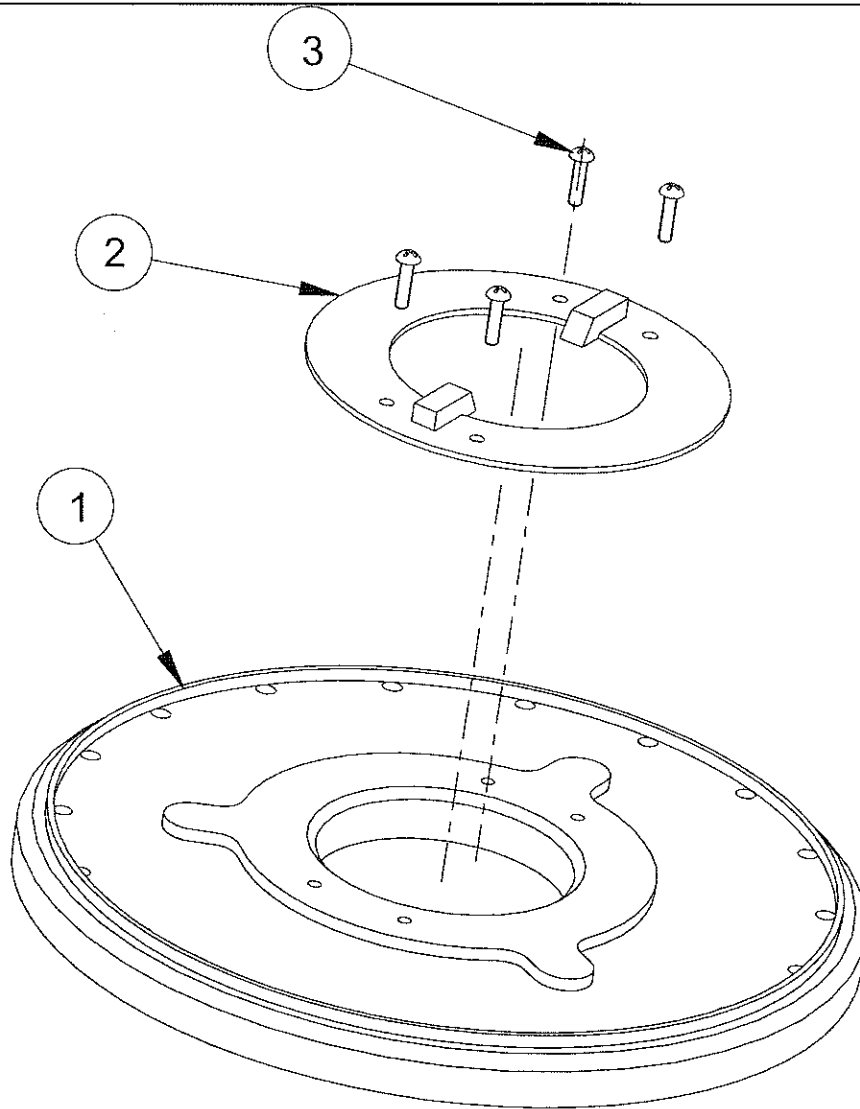
| KEY NO. | PART NUMBER | DESCRIPTION | QTY. |
|---------|-------------|--------------------------|------|
| 1 | 8-82-00064 | Switch - Seat | 1 |
| 2 | 2-00-00491 | Grommet | 1 |
| 3 | 0875-126 | Assy-Wire, Seat Switch | 1 |
| 4 | 2-00-04564 | Clamp | 1 |
| 5 | 2-00-01128 | Terminal - Butt Splice | 1 |
| 6 | 2-00-04281 | Terminal - Ring Terminal | 1 |
| 7 | 2-00-04345 | Tye-raps | 10 |

SEAT SWITCH HARNESS NOTES:

- 1) After sliding seat all the way to the rear pull seat switch tight through grommet.
- 2) Route seat switch harness under seat, through grommet, and attach to existing machine harness Using Tye-raps as needed.
- 3) Coil extra wire from seat switch harness and tie with Tye-raps.

C1792/0007

PAD DRIVER OPTION (16")



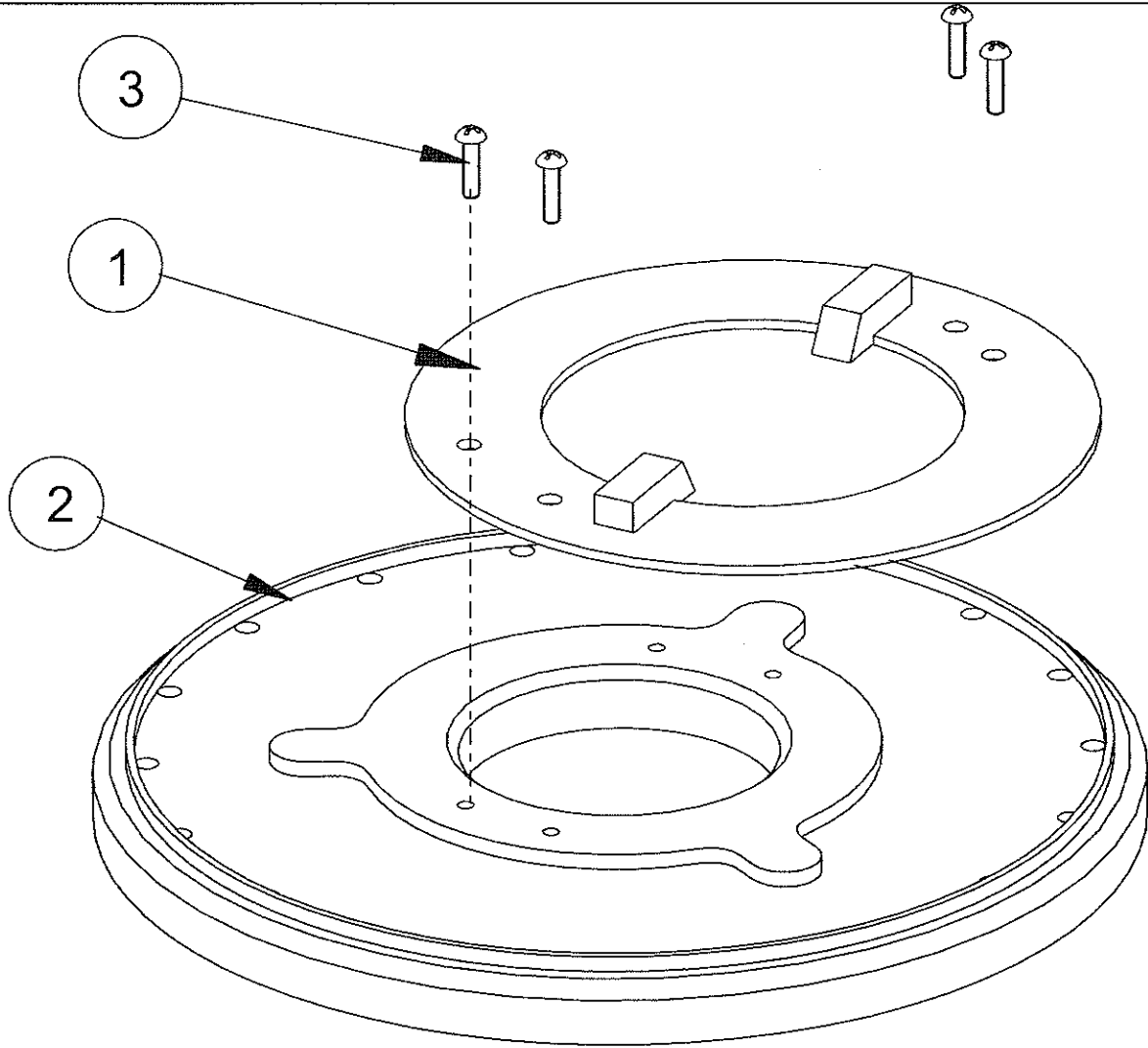
C1741/9707

OPTION NO. 0780-434

| <u>KEY NO.</u> | <u>PART NUMBER</u> | <u>DESCRIPTION</u> | <u>QTY.</u> |
|----------------|--------------------|---------------------------|-------------|
| 1 | 7-19-02035 | Disc - Driver | 1 |
| 2 | 7-20-00010 | Pad Driver - 16" Diameter | 1 |
| 3 | 2-00-00081 | Screw, 1/4-20 x 1.000 RHM | 4 |

C1741/9707

PAD DRIVER OPTION (18")



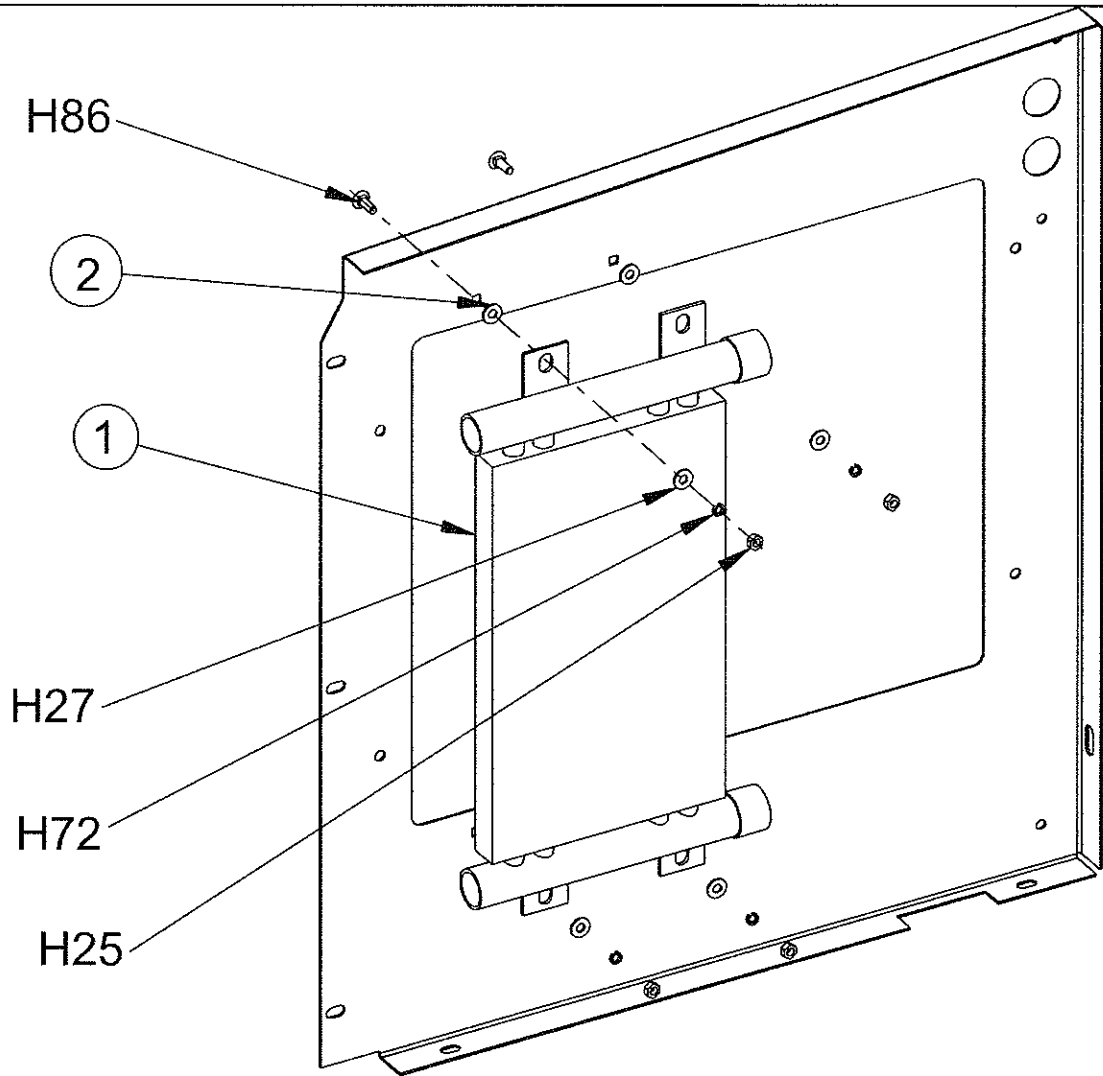
C1741b/9707

OPTION NO. 0780-445

| <u>KEY NO.</u> | <u>PART NUMBER</u> | <u>DESCRIPTION</u> | <u>QTY.</u> |
|----------------|--------------------|---------------------------|-------------|
| 1 | 7-19-02035 | Disc - Driver 18" | 1 |
| 2 | 7-20-00012 | Pad Driver - 18" | 1 |
| 3 | 2-00-00081 | Screw, 1/4-20 x 1.000 HHC | 4 |

C1741b/9712

OIL COOLER OPTION



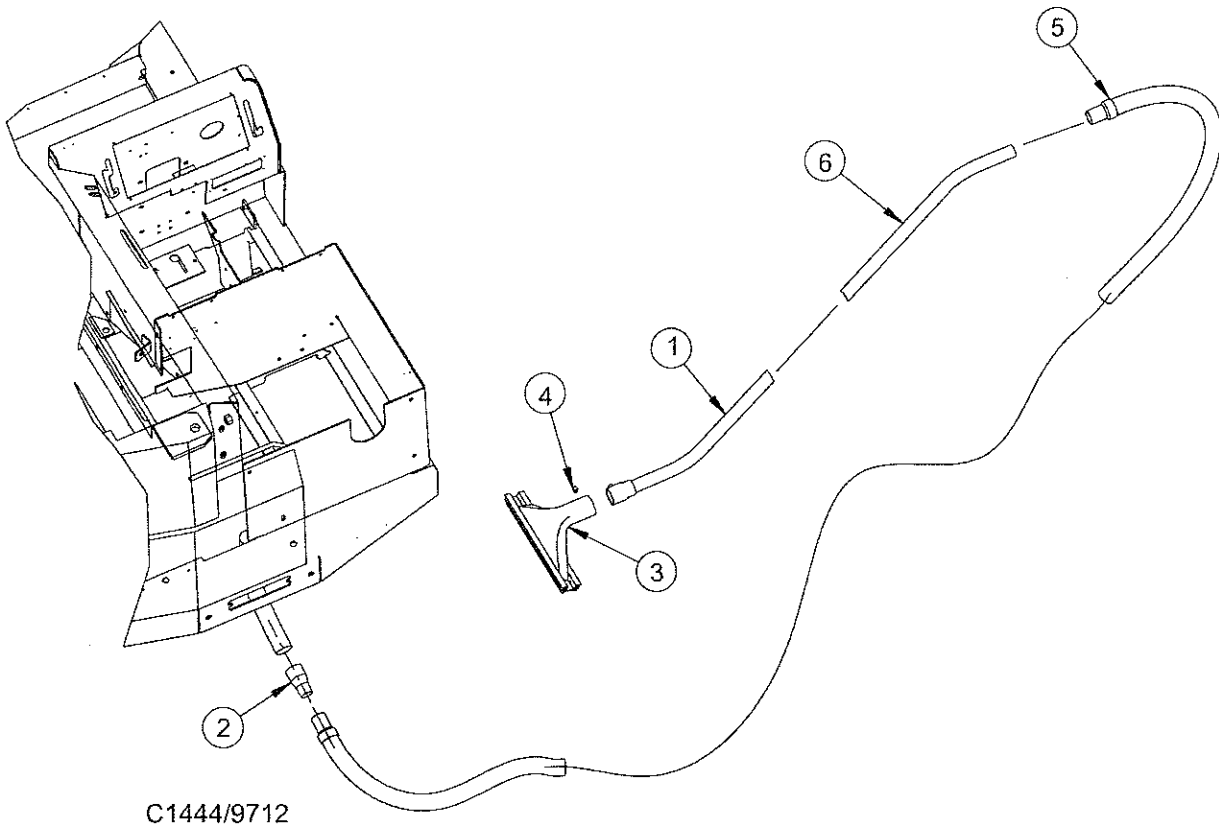
C1695/9704

OPTION NO. 0780-416

| <u>KEY NO.</u> | <u>PART NUMBER</u> | <u>DESCRIPTION</u> | <u>QTY.</u> |
|-----------------------|--------------------|-------------------------------|-------------|
| 1 | 8-62-01012 | Oil cooler | 1 |
| 2 | 2-00-05028 | Washer, Rubber Seal | 4 |
| HARDWARE USED: | | | |
| H25 | 2-00-00594 | Nut, Hex 1/4-20 x .437 x .218 | 4 |
| H27 | 2-00-03702 | Washer, .625 x .281 x .063 | 4 |
| H72 | 2-00-00518 | Lock Washer, Helical Spring | 4 |
| H86 | 2-00-05375 | Carriage bolt, 1/4-20 x .750 | 4 |

C1695/9704

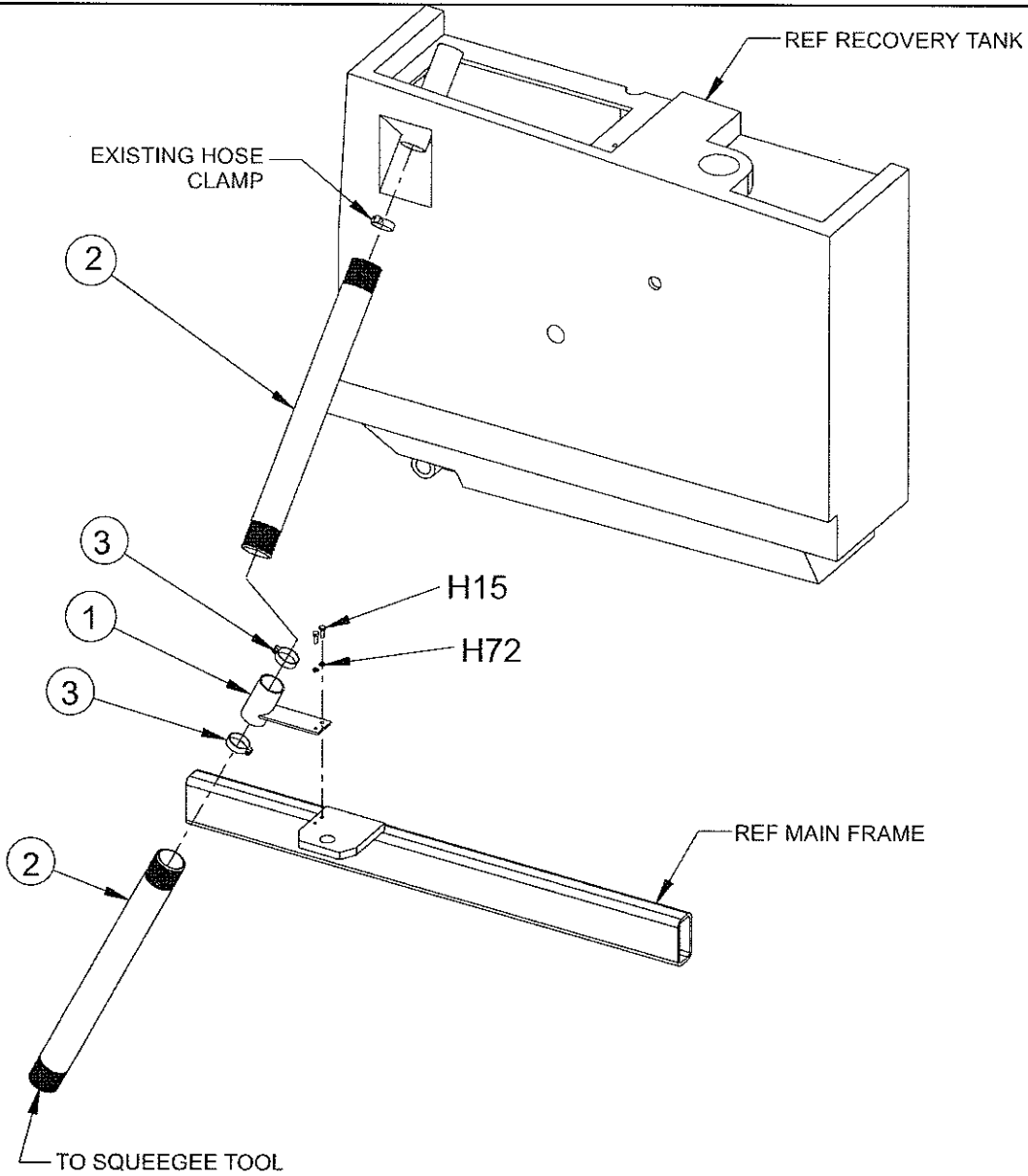
VACUUM WAND OPTION



| KEY NO. | PART NUMBER | DESCRIPTION | QTY. |
|---------|-------------|------------------------------|------|
| 1 | 0261-026 | Lower Wand (includes Key #6) | 1 |
| 2 | 7-03-00044 | Hose Adapter | 1 |
| 3 | 0261-028 | Squeegee Tool | 1 |
| 4 | 7-55-08128 | Pin | Ref. |
| 5 | 7-33-02213 | Hose, 1 ½ x 15' | 1 |
| 6 | 0261-027 | Lower Wand | 1 |

C1444/9804

VAC HOSE SERVICE KIT



C1788/9807

| <u>KEY NO.</u> | <u>PART NUMBER</u> | <u>DESCRIPTION</u> | <u>QTY</u> |
|----------------|--------------------|-------------------------------------|------------|
| 1 | 7-25-02097 | Fitting-Vac. Hose Coupling (Welded) | 1 |
| 2 | 7-33-02386 | Hose-Vacuum | 2 |
| 3 | 2-00-02216 | Hose Clamp | 2 |
| HARDWARE USED: | | | |
| H15 | 2-00-00221 | Screw, 1/4-20 x .750 HHC | 2 |
| H72 | 2-00-00518 | Lock Washer, Helical Spring | 2 |

C1788/9807

SPARE PARTS LIST - 46" MACHINE

OPTION 0760-514 46" BROOM and HOPPER CHAMBER COMPONENTS

| | | |
|------------|---------------------|---|
| 7-25-08070 | Hopper Flap | 1 |
| 7-25-08071 | Flap - BC Outer | 1 |
| 7-25-08072 | Flap - BC Inner | 1 |
| 8-29-00257 | Gasket | 1 |
| 8-29-00232 | Gasket | 1 |
| 8-29-00234 | Gasket | 1 |
| 8-29-00233 | Gasket | 3 |
| 8-21-04048 | Edging | 2 |
| 8-29-00256 | Gasket | 1 |
| 7-21-03003 | Edging | 3 |
| 7-21-04031 | Edging | 1 |
| 8-25-08212 | Flap Door | 2 |
| 8-24-04148 | Dust Filter Element | 1 |

46" SQUEEGEE COMPONENTS

| | | |
|------------|----------------------------|---|
| 7-77-00109 | Outer Rubber Squeegee | 1 |
| 7-77-00110 | Inner Rubber Squeegee | 1 |
| 7-77-00111 | Side Squeegee Outer Rubber | 2 |
| 7-77-00114 | Side Squeegee Inner Rubber | 2 |

SPARE PARTS LIST - 53" MACHINE

OPTION NO. 0760-515 53" BROOM and HOPPER CHAMBER COMPONENTS

| | | |
|------------|---------------------|---|
| 7-25-08070 | Hopper Flap | 1 |
| 7-25-08071 | Flap - BC Outer | 1 |
| 7-25-08072 | Flap - BC Inner | 1 |
| 8-29-00257 | Gasket | 1 |
| 8-29-00232 | Gasket | 1 |
| 8-29-00234 | Gasket | 1 |
| 8-29-00233 | Gasket | 3 |
| 8-21-04048 | Edging | 2 |
| 8-29-00256 | Gasket | 1 |
| 7-21-03003 | Edging | 3 |
| 7-21-04031 | Edging | 1 |
| 8-25-08212 | Flap Door | 2 |
| 8-24-04148 | Dust Filter Element | 1 |

53" REAR SQUEEGEE COMPONENTS

| | | |
|------------|-----------------------------|---|
| 7-77-00105 | Outer Swing Squeegee Rubber | 1 |
| 7-77-00115 | Inner Swing Squeegee Rubber | 1 |
| 7-77-00112 | Outer Side Squeegee Rubber | 2 |
| 7-77-00113 | Inner Side Squeegee Rubber | 2 |

OPTION 0780-418 53" SCRUB DECK & SQUEEGEE

| | | | | | |
|------------|-------------------------|-----|------------|-------------------------|---|
| 7-86-08041 | Squeegee-Weldment | 1 | 7-33-02359 | Hose-6" | 1 |
| 7-20-06010 | Duct-Squeegee Inlet | 1 | 7-33-02361 | Hose - 17" | 1 |
| 7-75-01164 | Spacer-Bushing | 2 | 7-42-05132 | Link - Side Squeegee | 2 |
| 7-75-01169 | Spacer-Squeegee | 2 | 7-30-08016 | Guide - Brush Frame Arm | 1 |
| 7-77-00110 | Squeegee-Rubber-Inner | 1 | 7-76-00114 | Spring | 1 |
| 7-77-00109 | Squeegee-Rubber-Outer | 1 | 7-33-00360 | Hose - 8" | 2 |
| 7-79-00088 | Strap-Squeegee Clamp | 1 | 7-33-09031 | Hub-Brush Drive | 3 |
| 7-13-07157 | Clamp-End Squeegee | 2 | 7-03-04123 | Arm-Brush Drive | 3 |
| 7-13-07156 | Clamp-Nut | 2 | 7-78-05026 | Stop-Scrub Frame RH | 1 |
| 7-39-00026 | Knob-Squeegee | 4 | 7-78-05025 | Stop-Scrub Frame LH | 1 |
| 7-89-08073 | Wheel-Caster | 2 | 7-08-00437 | Welding Tee | 1 |
| 7-27-07181 | Brush Deck Weldment | 1 | 7-33-02339 | Hose-22" | 1 |
| 7-42-05135 | Link - Brush RH | 1 | 7-86-08042 | LH Side Squeegee Tool | 1 |
| 0782-111 | Motor-Hyd | Ref | 7-86-08043 | RH Side Squeegee Tool | 1 |
| 7-57-05039 | Pivot Brush Drive | 2 | 7-77-00113 | Rubber Inner Side Squ. | 2 |
| 7-42-05134 | Link - Brush Frame LH | 1 | 7-77-00112 | Rubber Outer Side Squ. | 2 |
| 7-41-00027 | Latch-Brush Drive | 3 | 7-13-07175 | Clamp RH Side Squeegee | 1 |
| 7-25-02012 | Fitting - Straight Barb | 1 | 7-13-07174 | Clamp RH Side Squeegee | 1 |
| 7-55-08151 | Pin-Lock | 2 | | | |

SPARE PARTS LIST - 46" BATTERY MACHINE

BROOM and HOPPER CHAMBER COMPONENTS

| | | |
|------------|---------------------|---|
| 7-25-08070 | Hopper Flap | 1 |
| 7-25-08071 | Flap - BC Outer | 1 |
| 7-25-08072 | Flap - BC Inner | 1 |
| 8-29-00257 | Gasket | 1 |
| 8-29-00232 | Gasket | 1 |
| 8-29-00234 | Gasket | 1 |
| 8-29-00233 | Gasket | 3 |
| 8-21-04048 | Edging | 2 |
| 8-29-00256 | Gasket | 1 |
| 7-21-03003 | Edging | 3 |
| 7-21-04031 | Edging | 1 |
| 8-25-08212 | Flap Door | 2 |
| 8-24-04148 | Dust Filter Element | 1 |

SQUEEGEE COMPONENTS

| | | |
|------------|-----------------------|---|
| 7-77-00109 | Outer Rubber | 1 |
| 7-77-00110 | Inner Rubber | 1 |
| 7-77-00111 | Side Sq. Outer Rubber | 2 |
| 7-77-00114 | Side Sq. Inner Rubber | 2 |

DRIVE BELT

| | | |
|------------|-------------------|---|
| 2-00-05409 | Belt, Pump Drive | 1 |
| 2-00-01056 | Belt, Broom Drive | 1 |

SPARE PARTS LIST - 53" BATTERY MACHINE

BROOM and HOPPER CHAMBER COMPONENTS

| | | |
|------------|---------------------|---|
| 7-25-08070 | Hopper Flap | 1 |
| 7-25-08071 | Flap - BC Outer | 1 |
| 7-25-08072 | Flap - BC Inner | 1 |
| 8-29-00257 | Gasket | 1 |
| 8-29-00232 | Gasket | 1 |
| 8-29-00234 | Gasket | 1 |
| 8-29-00233 | Gasket | 3 |
| 8-21-04048 | Edging | 2 |
| 8-29-00256 | Gasket | 1 |
| 7-21-03003 | Edging | 3 |
| 7-21-04031 | Edging | 1 |
| 8-25-08212 | Flap Door | 2 |
| 8-24-04148 | Dust Filter Element | 1 |

SQUEEGEE COMPONENTS

| | | |
|------------|-----------------------------|---|
| 7-77-00105 | Outer Swing Squeegee Rubber | 1 |
| 7-77-00115 | Inner Swing Squeegee Rubber | 1 |
| 7-77-00112 | Outer Side Squeegee Rubber | 2 |
| 7-77-00113 | Inner Side Squeegee Rubber | 2 |

DRIVE BELTS

| | | |
|------------|-------------------|---|
| 2-00-05409 | Belt, Pump Drive | 1 |
| 2-00-01056 | Belt, Broom Drive | 1 |

INDEX

| | |
|--|-------|
| ADJUSTING CASTERS | 1-48 |
| ADJUSTING THE BRAKE PEDAL | 1-45 |
| ADJUSTING THE BRAKES | 1-45 |
| ADJUSTING THE DUST FLAPS | 1-44 |
| ADJUSTING THE MAIN BROOM HEIGHT | 1-41 |
| ADJUSTING THE SIDE BROOM HEIGHT | 1-42 |
| AIR FILTER | 1-49 |
| AIR INTAKE SYSTEM | 1-49 |
| AMBER SAFETY LIGHT OPTION WITH OVERHEAD GUARD | 3-12 |
| AMBER SAFETY LIGHT OPTION WITHOUT OVERHEAD GUARD | 3-13 |
| | |
| BACK-UP ALARM OPTION | 3-8 |
| BACK-UP ALARM SWITCH | 1-27 |
| BATTERY CHARGING INSTRUCTIONS | 1-36 |
| BATTERY CONDITION METER | 1-27 |
| BATTERY ELECTRICAL ASSEMBLY - GAS | 2-152 |
| BATTERY POWERED MACHINE PREPARATION | 1-14 |
| BATTERY POWERED MACHINES | 1-36 |
| BATTERY | 1-52 |
| BEFORE STARTING THE ENGINE | 1-34 |
| BRAKE PEDAL | 2-68 |
| BRAKES | 1-45 |
| BROOM CHAMBER FLAPS & SEALS | 2-16 |
| BRUSHES OPTION | 3-4 |
| | |
| CHANGING THE LP TANKS | 1-57 |
| CHARGING SYSTEM LIGHT (WARNING LIGHT) | 1-24 |
| CHECKING THE DUST CONTROL FILTER | 1-43 |
| CHECKING THE DUST FLAPS | 1-44 |
| CHECKING THE HOPPER SEALS | 1-43 |
| CHECKING THE MAIN BROOM SWEEP PATTERN | 1-41 |
| CHECKING THE SIDE BROOM SWEEP PATTERN | 1-42 |
| CHOKE | 1-18 |
| CLEANING THE AIR FILTER ELEMENT | 1-50 |
| CLEANING THE DUST CONTROL FILTER | 1-43 |
| CLEANING THE HOPPER | 1-43 |
| CLEANING THE HYDRAULIC SYSTEM | 1-46 |
| CLOGGED FILTER LIGHT (WARNING LIGHT) | 1-24 |
| CLOGGED FILTER OPTION | 3-27 |
| CONSOLE | 2-84 |
| COOLANT LEVEL | 1-51 |
| COOLING SYSTEM | 1-51 |
| COVERS AND LATCHES | 1-47 |
| | |
| DECALS | 2-160 |
| DECIMAL - METRIC CONVERSION TABLE | 1-12 |
| DETERGENT FLOW KNOB | 1-31 |
| DETERGENT LOW WARNING LIGHT | 1-31 |
| DISCONNECT WATER HOSE | 1-23 |
| DRIVE BELTS | 1-52 |
| DUST CAP | 1-51 |
| DUST CONTROL FILTER | 1-43 |
| DUST CONTROL SWITCH | 1-22 |
| DUST CONTROL | 1-34 |
| DUST FLAPS | 1-44 |

INDEX

| | |
|---|-------|
| ELECTRICAL ASSEMBLY - BATTERY | 2-150 |
| ELECTRICAL ASSEMBLY - GAS/LP/DIESEL | 2-152 |
| ELECTRICAL HARNESS ROUTING - BATTERY | 2-156 |
| ELECTRICAL HARNESS ROUTING - GAS | 2-157 |
| ELECTRICAL HARNESS ROUTING - DIESEL | 2-158 |
| ELECTRICAL SCHEMATIC - BATTERY | 2-163 |
| ELECTRICAL SCHEMATIC - DIESEL | 2-165 |
| ELECTRICAL SCHEMATIC - GAS | 2-164 |
| EMPTYING THE DEBRIS HOPPER | 1-35 |
| ENGINE COMPARTMENT LATCH | 1-28 |
| ENGINE COVERS - BATTERY | 2-122 |
| ENGINE COVERS - GAS | 2-124 |
| ENGINE OIL PRESSURE LIGHT (WARNING LIGHT) | 1-24 |
| ENGINE SPEED SWITCH | 1-19 |
| ENGINE TEMPERATURE LIGHT (WARNING LIGHT) | 1-24 |
| ESP RECYCLING CONTROL PANEL | 1-31 |
| ESP RECYCLING SYSTEM ON/OFF SWITCH | 1-31 |
| ESP SYSTEM OPERATING INSTRUCTIONS | 1-31 |
| ESP/AUTOFIL WIRING - GAS/LP/DIESEL | 3-22 |
| ESP/AUTOFIL OPTION | 3-14 |
| ESP/AUTOFIL WIRING - BATTERY | 3-20 |
| | |
| FILLING THE HYDRAULIC RESERVOIR | 1-46 |
| FILTER PANEL LATCH | 1-28 |
| FILTER SHAKER SWITCH | 1-20 |
| FILTER SHAKER | 2-82 |
| FIRE EXTINGUISHER | 3-24 |
| FLAME ARRESTING GAS CAP | 3-25 |
| FLOOR PANEL CONNECTION DIAGRAM BATTERY | 2-172 |
| FLOOR PANEL CONNECTION DIAGRAM GAS/DIESEL | 2-170 |
| FOOT BRAKE | 1-25 |
| FORD 413 GAS ENGINE | 2-138 |
| FORD 413 LP ENGINE | 2-140 |
| FORWARD/REVERSE CONTROL - BATTERY | 2-70 |
| FORWARD/REVERSE CONTROL - GAS | 2-72 |
| FRAME | 2-74 |
| FRONT BUMPER | 2-63 |
| FRONT WHEEL | 2-64 |
| FUEL GAUGE | 1-19 |
| FUEL SYSTEM - LP | 2-134 |
| FUEL SYSTEM - DIESEL | 2-136 |
| FUEL TANK - GAS | 2-126 |
| FUEL TANK - LP | 2-128 |
| FUEL TANK - DIESEL | 2-132 |
| FWD/REV FOOT PEDAL | 1-25 |
| GAS TANK | 1-52 |
| GASOLINE POWERED MACHINES | 1-36 |
| GENERAL MACHINE MAINTENANCE | 1-45 |
| GENERAL TROUBLESHOOTING | 1-59 |
| | |
| HEAVY DUTY AIR CLEANER OPTION | 3-26 |
| HELPFUL HINTS FOR CLEANING OPERATION | 1-37 |
| HOPPER (VARIABLE DUMP) | 2-20 |
| HOPPER CONTROL CHECK VALVE HYDRAULICS - GAS (VARIABLE DUMP) | 2-101 |
| HOPPER CONTROL VALVE - BATTERY (VARIABLE DUMP) | 2-28 |
| HOPPER CONTROL VALVE - GAS (VARIABLE DUMP) | 2-29 |

INDEX

| | |
|--|-------|
| HOPPER DOOR CYLINDER-BATTERY | 2-27 |
| HOPPER DOOR CYLINDER-GAS | 2-26 |
| HOPPER DOOR LEVER | 1-30 |
| HOPPER DUMP DOOR HYDRAULICS | 2-100 |
| HOPPER DUMP DOOR LEVER | 1-26 |
| HOPPER DUMP DOOR | 2-25 |
| HOPPER FILTER COMPARTMENT COVER | 1-30 |
| HOPPER LID/COVER (VARIABLE DUMP) | 2-24 |
| HOPPER LIFT HYDRAULICS | 2-99 |
| HOPPER LIFT LEVER | 1-26 |
| HOPPER LIFT LEVER | 1-30 |
| HOPPER SAFETY ARM | 1-20 |
| HOPPER SAFETY LOCK ARM | 1-31 |
| HOPPER SERVICE | 1-43 |
| HOPPER TEMPERATURE LIGHT (WARNING LIGHT) | 1-24 |
| HOPPER TEMPERATURE SENSOR | 1-28 |
| HOPPER THERMO-SENSOR SHUTDOWN OPTION | 3-6 |
| HOPPER | 1-43 |
| HORN BUTTON | 1-18 |
| HOUR METER | 1-19 |
| HYDRAULIC CYLINDER CONTROL VALVE - GAS | 2-116 |
| HYDRAULIC FORWARD/REVERSE VALVE | 2-111 |
| HYDRAULIC HOSE DIAGRAM - BATTERY (VARIABLE DUMP) | 2-95 |
| HYDRAULIC HOSE DIAGRAM - GAS/LP/DIESEL (VARIABLE DUMP) | 2-94 |
| HYDRAULIC MAIN CONTROL VALVE - GAS | 2-114 |
| HYDRAULIC PUMP - GAS | 2-112 |
| HYDRAULIC RESERVOIR - BATTERY | 2-106 |
| HYDRAULIC RESERVOIR (PISTON PUMP) | 2-108 |
| HYDRAULIC RESERVOIR LEVEL SIGHT GAUGE | 1-29 |
| HYDRAULIC RETURN BLOCK | 2-118 |
| HYDRAULIC SCHEMATIC BATTERY | 2-174 |
| HYDRAULIC SCHEMATIC GAS/DIESEL | 2-96 |
| HYDRAULIC TORQUE REQUIREMENTS | 1-11 |
| HYDRAULIC TUBES | 2-92 |
| HYDRAULICS MAIN BROOM | 2-93 |
| | |
| INDEX | 3-49 |
| INSPECTING THE AIR FILTER ELEMENT | 1-51 |
| INSTRUMENT PANEL - BATTERY | 2-154 |
| INSTRUMENT PANEL CONNECTION DIAGRAM - BATTERY | 2-171 |
| INSTRUMENT PANEL CONNECTION DIAGRAM - GAS/DIESEL | 2-169 |
| | |
| KEY SWITCH | 1-19 |
| | |
| LIGHT SWITCH | 1-18 |
| LOWER DOOR | 2-18 |
| LP CHECKLIST | 1-56 |
| LP FUEL TANK | 1-53 |
| LP FUEL TANKS | 1-56 |
| LP GAS SYSTEM | 1-53 |
| LP GAS VAPORIZER - REGULATOR QUICK CHECK | 1-53 |
| LP LIQUID WITHDRAWAL SYSTEM | 1-55 |
| LP SAFETY PRECAUTIONS | 1-54 |
| LP TANK CARE | 1-56 |
| | |
| MACHINE CONNECTION DIAGRAM BATTERY | 2-166 |

INDEX

| | |
|---|-------|
| MACHINE CONNECTION DIAGRAM DIESEL | 2-168 |
| MACHINE CONNECTION DIAGRAM GAS | 2-167 |
| MACHINE DIMENSIONS | 1-9 |
| MACHINE PREPARATION | 1-13 |
| MACHINE STORAGE | 1-36 |
| MAIN BROOM ADJUSTMENT | 1-21 |
| MAIN BROOM COMPARTMENT DOORS | 1-29 |
| MAIN BROOM LEVEL ADJUSTMENT | 1-41 |
| MAIN BROOM LEVER | 1-21 |
| MAIN BROOM LEVER | 2-4 |
| MAIN BROOM | 1-41 |
| MUFFLER - GAS/LP | 2-144 |
| MUFFLER - DIESEL | 2-146 |
| | |
| NEUTRAL ADJUSTMENT | 1-53 |
| NON-RECYCLING OR STANDARD SCRUBBING SYSTEM | 1-23 |
| NON-RECYCLING OR STANDARD SCRUBBING SYSTEM - HOW IT WORKS | 1-32 |
| | |
| OIL COOLER OPTION | 3-49 |
| OPERATING INSTRUCTIONS | 1-34 |
| OPERATION OF CONTROLS AND GAUGES | 1-18 |
| ORDERING PARTS | 1-61 |
| OVERHEAD GUARD OPTION | 3-11 |
| | |
| PAD DRIVER OPTION (16") | 3-39 |
| PAD DRIVER OPTION (18") | 3-40 |
| PARKING BRAKE | 1-25 |
| PARTS LIST LEGEND | 1-58 |
| PERKINS DIESEL ENGINE | 2-149 |
| POST-OPERATION CHECKLIST | 1-36 |
| POWER PANEL CONNECTION DIAGRAM BATTERY | 2-173 |
| PRE-START CHECKLIST | 1-34 |
| PREPARING THE MACHINE FOR OPERATION | 1-13 |
| PUMP ASSEMBLY, WHEEL DRIVE - BATTERY | 2-88 |
| | |
| RADIATOR AND SHROUD - GAS | 2-148 |
| RADIATOR AND SHROUD - DIESEL | 2-149 |
| RADIATOR | 1-51 |
| REAR SQUEEGEE | 1-48 |
| REAR SQUEEGEES (46") | 2-49 |
| REAR WHEEL ASSEMBLY | 2-66 |
| REAR WORK LIGHT OPTION | 3-10 |
| RECOVERY DRAIN SYSTEM | 2-62 |
| RECOVERY HIGH LIGHT (WARNING LIGHT) | 1-24 |
| RECOVERY HIGH WARNING LIGHT | 1-47 |
| RECOVERY OR ESP SYSTEM - HOW IT WORKS | 1-33 |
| RECOVERY TANK | 2-60 |
| RECYCLING OR ESP/AUTOFIL SYSTEM | 1-23 |
| RECYCLING PUMP ESP SYSTEM | 1-48 |
| RECYCLING PUMP STORAGE | 1-48 |
| REMOVING THE AIR FILTER ELEMENT | 1-50 |
| REPLACING THE AIR FILTER ELEMENT | 1-50 |
| REPLACING THE DUST CONTROL FILTER | 1-44 |
| REPLACING THE MAIN BROOM | 1-41 |
| REPLACING THE RETURN FILTER ELEMENT | 1-46 |

INDEX

| | |
|--|-------|
| REPLACING THE SCRUB BRUSH | 1-47 |
| REPLACING THE SIDE BROOM | 1-42 |
| RETRACTABLE SEATBELT OPTION | 3-36 |
| ROLL-OUT BATTERY (800 AH OPTION) | 3-3 |
| | |
| SAFETY ARM | 2-81 |
| SAFETY INSTRUCTIONS | 1-15 |
| SCRUB DECK & SQUEEGEE (53") - BATTERY | 2-36 |
| SCRUB DECK & SQUEEGEE (53") - GAS | 2-44 |
| SCRUB DECK (46") - BATTERY | 2-30 |
| SCRUB DECK (46") - GAS | 2-33 |
| SCRUB DECK HEAVY PRESSURE SWITCH | 1-22 |
| SCRUB DECK HYDRAULICS | 2-102 |
| SCRUB DECK LIFT HYDRAULICS - BATTERY | 2-103 |
| | |
| SCRUB DECK LIFT HYDRAULICS - GAS | 2-104 |
| SCRUB DECK SWITCH | 1-22 |
| SCRUBBING SYSTEM - HOW IT WORKS | 1-32 |
| SEAT AND FLOOR ASSEMBLY | 2-86 |
| SEAT COMPARTMENT COVER | 1-29 |
| SEAT COMPARTMENT PROP LATCH | 1-20 |
| SEAT POSITION ADJUSTMENT | 1-19 |
| SEAT SWITCH KIT | 3-38 |
| SERVICE CHART | 1-38 |
| SERVICE INSTRUCTIONS | 1-41 |
| SERVICE PRECAUTIONS | 1-40 |
| SIDE BROOM - BATTERY | 2-6 |
| SIDE BROOM ADJUSTMENT | 1-21 |
| SIDE BROOM HYDRAULICS | 2-98 |
| SIDE BROOM LEVER | 1-21 |
| SIDE BROOM LEVER | 2-10 |
| SIDE BROOM LIFT SYSTEM-BATTERY | 2-12 |
| SIDE BROOM LIFT SYSTEM-GAS | 2-14 |
| SIDE BROOM PULLEY | 2-8 |
| SIDE BROOM | 1-42 |
| SIDE BROOM | 2-7 |
| SIDE SQUEEGEES | 2-48 |
| SOLUTION CONTROL | 1-23 |
| SOLUTION CONTROL | 1-47 |
| SOLUTION FEED | 2-58 |
| SOLUTION HIGH WARNING LIGHT | 1-31 |
| SOLUTION LOW LIGHT (WARNING LIGHT) | 1-24 |
| SOLUTION LOW WARNING LIGHT | 1-47 |
| SOLUTION TANK | 2-56 |
| SPARE PARTS LIST - 46" BATTERY MACHINE | 3-46 |
| SPARE PARTS LIST - 46" MACHINE | 3-44 |
| SPARE PARTS LIST - 53" BATTERY MACHINE | 3-47 |
| SPARE PARTS LIST - 53" MACHINE | 3-45 |
| SPARE PARTS LIST - GAS/LP/DIESEL MACHINE | 3-48 |
| SPECIFICATIONS | 1-6 |
| SPRAY WAND OPTION | 3-28 |
| SQUEEGEE CASTER WHEELS | 1-48 |
| SQUEEGEE LIFT - BATTERY | 2-50 |
| SQUEEGEE LIFT - GAS | 2-52 |
| SQUEEGEE LIFT HYDRAULICS | 2-105 |
| SQUEEGEE SWITCH | 1-22 |

INDEX

| | |
|---|-------|
| STANDARD HARDWARE & TORQUE VALUES | 1-10 |
| STARTING BATTERY MACHINES | 1-35 |
| STARTING GAS ENGINES | 1-35 |
| STARTING PROPANE ENGINES | 1-35 |
| STEERING 90° - 90° HYDRAULICS | 2-121 |
| STEERING COLUMN | 2-76 |
| STORING LP FUEL TANKS | 1-57 |
| SUSPENSION SEAT OPTION | 3-37 |
| SWING SQUEEGEE SUPPORT | 2-54 |
| | |
| THROTTLE CONTROL | 2-159 |
| THROTTLE | 1-27 |
| TURN SIGNAL | 1-27 |
| | |
| USE AND CARE OF LP TANKS | 1-56 |
| | |
| VAC FAN - BATTERY | 2-78 |
| VAC FAN - GAS | 2-79 |
| VAC FAN HOPPER HYDRAULICS | 2-120 |
| | |
| VAC HOSE SERVICE KIT | 3-43 |
| VAC MOTOR MANIFOLD | 2-80 |
| VACUUM WAND OPTION | 3-42 |
| VARI DUMP SWEEPING & DUST CONTROL SYSTEMS - HOW THEY WORK | 1-33 |
| | |
| WARNING BANK | 1-24 |
| WARRANTY | 3-55 |
| WET SWEEP BYPASS/THERMO SENSOR OPTION | 3-32 |
| WHEEL DRIVE HYDRAULICS | 2-110 |
| WHEEL WELL FLAP | 2-65 |

"BUMPER-TO-BUMPER" LIMITED WARRANTY**COVERAGE**

Subject to the terms and limitations stated herein, American-Lincoln warrants, to the original purchaser only, to repair or replace, at its option and upon the terms set out below, this product or any parts thereof (excluding normal maintenance items) which are defective in materials or workmanship, for a period of (2) two years or 2,000 hours of normal operation from the date of purchase, whichever comes first, provided that the product is operated and maintained in accordance with American-Lincoln's Maintenance and Operations Instruction.

(a) During the first (90) ninety days from the date of purchase, American-Lincoln will provide, without charge, parts and on-site labor (including up to three (3) hours total round-trip travel time) to remedy a defective product or part.

(b) During the next (9) nine months or 1,000 hours (whichever come first) American-Lincoln will provide, without charge, parts and labor to remedy a defective product or part; however all travel time for on-site remedy and all shipping and freight charges for off-site remedy of the product or parts thereof shall be the sole responsibility of the purchaser.

(c) During the next (12) twelve months or a total of 2000 hours (whichever comes first) American Lincoln will provide, without charge, parts to remedy a defective product or part, however all labor, travel time for on-site remedy and all shipping and freight charges for off-site remedy of the product or parts thereof shall be the sole responsibility of the purchaser.

In addition to the terms listed above, if applicable, the following additional warranty coverage is applied.

(a) American-Lincoln warrants to the original purchaser only, to repair or replace, at its option and upon the terms set out below, the drive line electric components including the electric drive propulsion motor, electric wheel drive motor and electronic drive controller, and all hydraulic pumps and motors, to provide replacement parts which are defective in material or workmanship, for a period of (3) years or 3000 hours (whichever comes first) provided that the product is operated and maintained in accordance with American-Lincoln's Maintenance and Operations Instruction.

(b) American Lincoln warrants to the original purchaser only, to repair or replace, at its option and upon the terms set out below, the internal combustion liquid cooled engine, to provide replacement parts which are defective in material or workmanship, for a period of (5) five years or unlimited hours of normal operation. A labor, travel time, shipping and freight charges shall be the sole responsibility of the purchaser.

(c) American-Lincoln, warrants to the original purchaser only, to repair or replace, at its option and upon the terms set out below, the main frame, debris hopper, collection tank, and the recovery tank, for the life of the machine against failure caused by defects in workmanship or total rust through. For purposes of this coverage cosmetic deterioration or surface rust does not constitute a failure.

(d) American-Lincoln, warrants to the original purchaser only, to repair or replace, at its option and upon the terms set out below, the batteries which become inoperative under normal use within a period of ninety (90) days from date of sale to the original user with new batteries of equal value. After expiration of the above ninety (90) day period, any battery which fails under normal use will be adjusted to the original user with a new battery of equal specifications on an eighteen (18) months pro rate basis from the date of purchase. Adjustment will be determined using the then current list price, plus transportation costs. Warranty is rendered VOID and Void if battery is not kept filled to the proper level with DISTILLED WATER.

EXCLUSIONS

This warranty **does not** cover normal maintenance parts and labor, including but not limited to, rubber parts, seals, flaps, brushes, engine maintenance parts, hoses, carbon motor brushes, fluids and routine adjustments.

This warranty **does not** cover damage or failure of the product or any parts thereof which is the result of misuse, negligent operation, handling or repair, or which is the result of modification by any person other than an authorized American-Lincoln service representative.

LIMITATIONS

AMERICAN-LINCOLN MAKES NO WARRANTIES OTHER THAN THOSE SPECIFIED HEREIN. ALL IMPLIED WARRANTIES OF MERCHANTABILITY AND FITNESS FOR A PARTICULAR PURPOSE ARE EXPRESSLY EXCLUDED. AMERICAN-LINCOLN LIABILITY UNDER THIS WARRANTY IS LIMITED TO REPAIR AND/OR REPLACEMENT OF PRODUCTS OR PARTS AS SET OUT HEREIN. AMERICAN-LINCOLN SHALL NOT BE LIABLE FOR ANY INCIDENTAL OR CONSEQUENTIAL DAMAGES WHICH MAY RESULT FROM A PRODUCT OR PART DEFECT OR FAILURE. ANY EXTENSIONS OF OR MODIFICATIONS MADE TO THIS WARRANTY BY A DISTRIBUTOR OF AMERICAN-LINCOLN ARE THE SOLE RESPONSIBILITY OF THE DISTRIBUTOR.

PROCEDURES AND CONDITIONS FOR WARRANTY CLAIMS AMERICAN-LINCOLN SHALL NOT BE LIABLE FOR REPAIR OR REPLACEMENT OF AN EFFECTIVE PRODUCT OR PART THEREOF UNLESS AND UNTIL THE ORIGINAL PURCHASER FULFILLS THE FOLLOWING CONDITIONS PRECEDENT TO RECOVERY UNDER THIS WARRANTY:

The original purchaser shall promptly complete and return the warranty and installation registration form included with the product at the time of the purchase;

Upon product or part failure, the original purchaser shall promptly provide notice thereof to his nearest authorized American-Lincoln Service Representative; and

The original purchaser shall permit the product or part to be inspected by American-Lincoln or its authorized representatives, as necessary and expenses for shipping or travel time shall be borne by the parties itemized in paragraph I herein above.

American-Lincoln Technology reserves the right to make changes and improvements to its machines without notice. For best results, use only the correct American-Lincoln Service parts.

American-Lincoln®
1100 HASKINS ROAD
BOWLING GREEN, OHIO 43402

