



## Electronic Service Manuals

This electronic document is provided as a service to our customers. We do not create the contents of the information contained in this document. Should you have detailed questions pertaining to the information contained in this document, you may contact Michco, or the manufacturer which provided the original information in this electronic deliverable. Michco's only part in this electronic deliverable was the electronic assembly process. By providing this manual on line we are not guaranteeing parts availability.

You may contact Michco through the following methods:

Phone (517) 484-9312 or (800) 331-3339

2011 N. High St. -- Lansing, Michigan -- 48906

Fax: (517) 484-9836

Email: [CustServe@Michco.com](mailto:CustServe@Michco.com)

Web site: [www.Michco.Com](http://www.Michco.Com)

Parts Web site: [www.FloorMachineParts.Com](http://www.FloorMachineParts.Com)

Order Parts on Line at:

**[www.FloorMachineParts.Com](http://www.FloorMachineParts.Com)**

Directly to Parts & Service:

By Email: **[Shop@Michco.com](mailto:Shop@Michco.com)**

By Fax: (517) 702-2041

By Voice: Use numbers above.

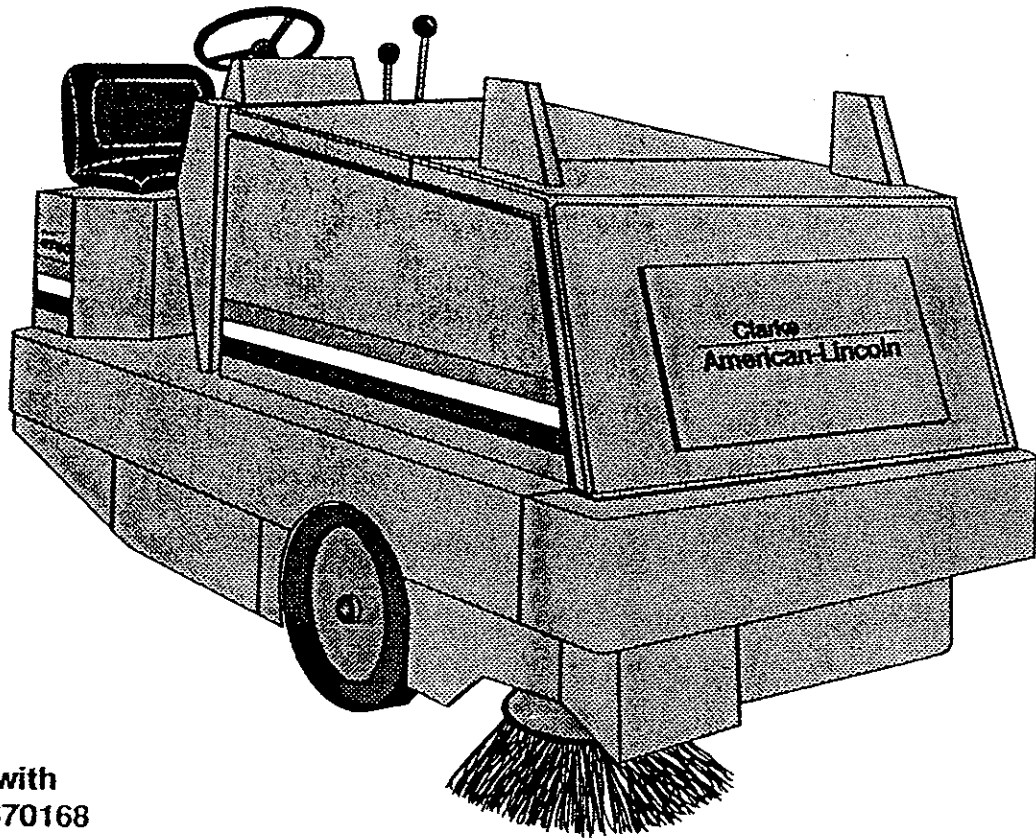
**Serving the Cleaning Industry Since 1922**

Notice: All copyrighted material remains property of original owners, all trademarks are property of respective owners. Manuals are subject to Manufacturer's reproduction limitations. Originals or reproductions were provided by manufacturers through a request. We make no warranty as to the correctness of information provided in this document and you assume all risk. By placing these manuals on line we are not declaring our corporation to be an manufacturer authorized dealer or provider, please check our web site for authorized manufacturers we represent.

# Clarke

---

# American-Lincoln®



Beginning with  
Serial No. 670168

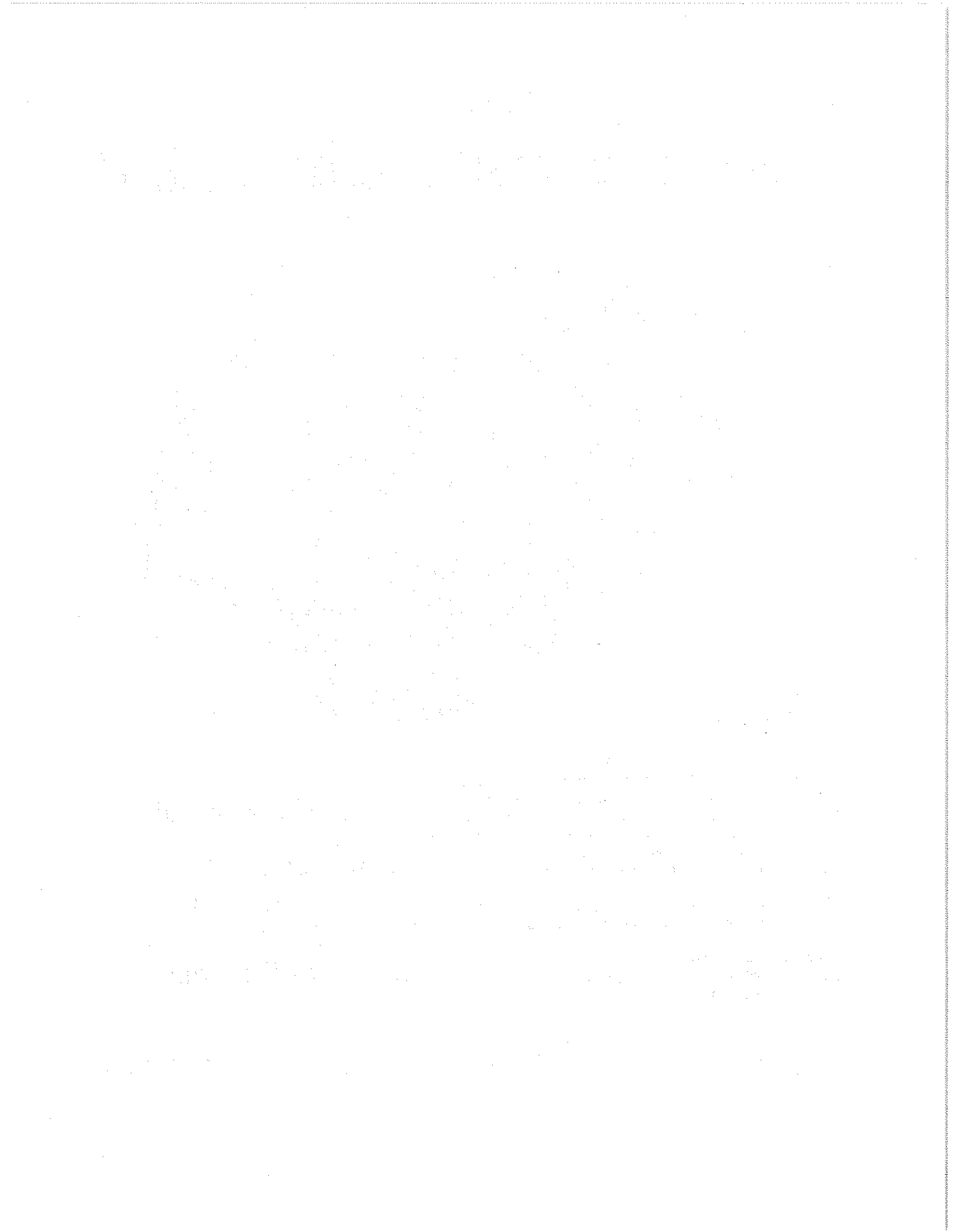
## READ THIS BOOK

This book has important information for the use and safe operation of this machine. Read and understand this book before starting the machine. Keep this book and tell all operators to read the book. If you do not follow the instructions, you can cause an injury, or damage equipment, furniture or buildings.

All directions given in this book are as seen from the operator's position at the rear of the machine.

For new books, write to:  
Clarke/American-Lincoln, 1100 Haskins Road  
Bowling Green, Ohio 43402

## Operator's Manual Instruction Book and Parts List for Model 6700 Sweeper / Scrubber



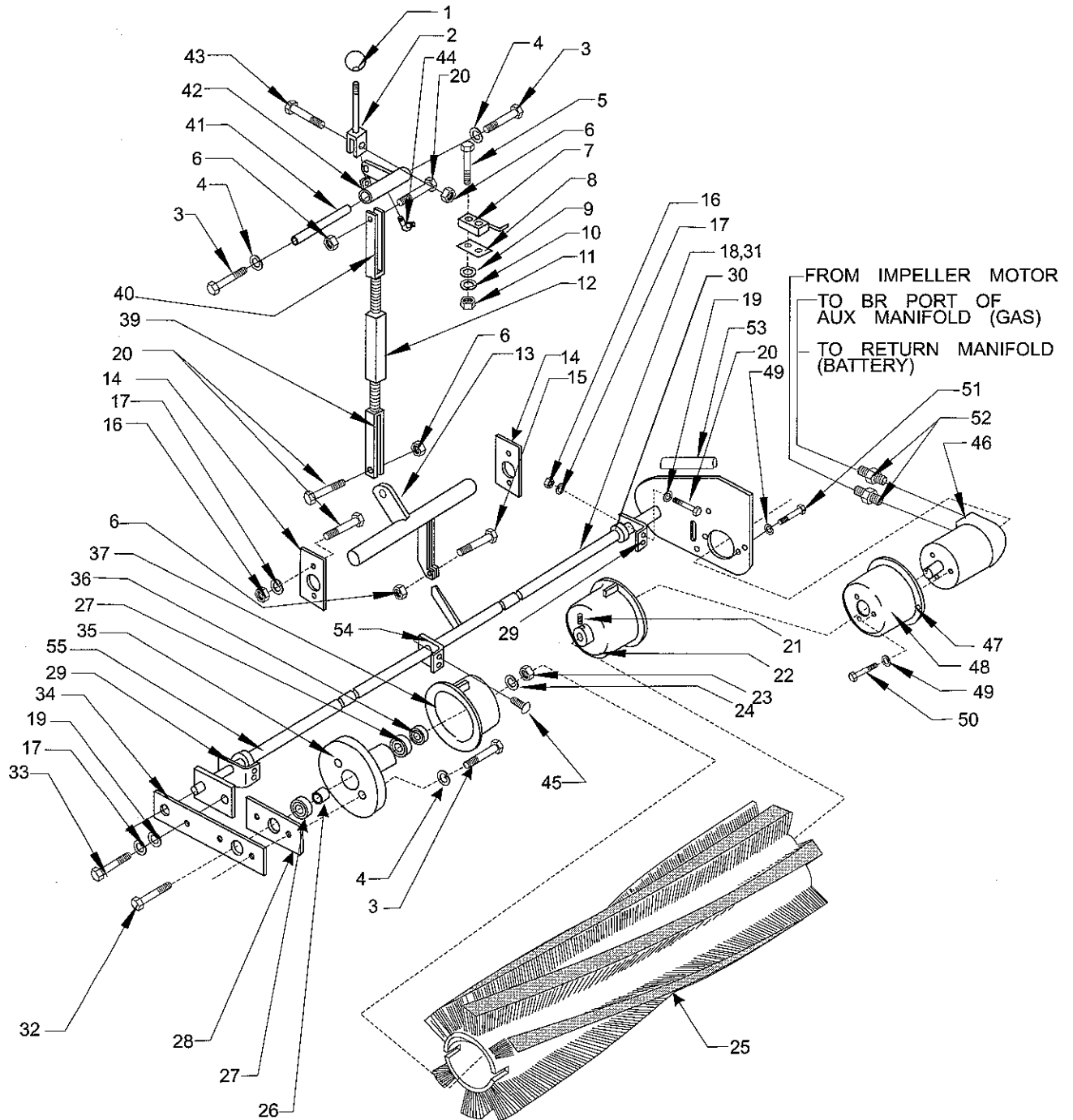
## TABLE OF CONTENTS

MAIN BROOM .....	2-2
SIDE BROOM .....	2-4
BROOM & BRUSH OPTIONS .....	2-6
SOLUTION TANK & CONTROL .....	2-8
RECOVERY TANK .....	2-10
SIDE & REAR SQUEEGEE .....	2-12
SCRUB DECK & LIFT .....	2-14
BRAKE SHAFT .....	2-16
FRONT WHEEL & BRAKES .....	2-18
REAR WHEEL (BATTERY) .....	2-20
REAR WHEEL (GAS/DIESEL) .....	2-22
FORWARD/REVERSE ASSEMBLY (BATTERY) .....	2-24
FORWARD/REVERSE ASSEMBLY (GAS/DIESEL) .....	2-26
HOPPER ASSEMBLY .....	2-28
VACUUM ASSEMBLY .....	2-30
FRAME DOORS & FLAPS .....	2-32
SIDE & TOP COVERS .....	2-34
STEERING ASSEMBLY .....	2-36
ENGINE (DIESEL) .....	2-38
ENGINE (GAS) .....	2-40
ENGINE COMPONENTS (GAS/DIESEL) .....	2-42
FUEL TANK (DIESEL) .....	2-44
FUEL TANK (GAS) .....	2-46
HYDRAULIC VALVE (BATTERY) .....	2-48
AUXILIARY PUMP DRIVE (BATTERY) .....	2-50
RETURN MANIFOLD (BATTERY) .....	2-52
HYDRAULIC RESERVOIR (BATTERY) .....	2-53
HYDRAULIC PUMP & RESERVOIR (GAS/DIESEL) .....	2-54
IMPELLER .....	2-56
COMBINATION VALVE & FITTINGS .....	2-57
POWER PANEL .....	2-58
POWER PANEL WIRING .....	2-60
INSTRUMENT PANEL (BATTERY) .....	2-62
INSTRUMENT PANEL (GAS/DIESEL) .....	2-63
DRIVER COMPARTMENT (BATTERY) .....	2-64
DRIVER COMPARTMENT (GAS/DIESEL) .....	2-66
OPERATOR COMPARTMENT ELECTRICAL .....	2-68
HYDRAULIC HOSE DIAGRAM (BATTERY) .....	2-70
HYDRAULIC HOSE DIAGRAM (GAS/DIESEL) .....	2-72
CONNECTION DIAGRAM (BATTERY) .....	2-74
CONNECTION DIAGRAM (GAS/DIESEL) .....	2-75
DECALS .....	2-76
INDEX .....	2-78
WARRANTY .....	2-

## MAIN BROOM - PARTS LIST

<u>KEY NO.</u>	<u>PART NUMBER</u>	<u>DESCRIPTION</u>	<u>QTY</u>
1	8-39-00002	Control Knob	1
2	7-41-05089	Main Broom Control Lever	1
3	2-00-00221	Screw, 1/4-20 x .750 HHC	4
4	2-00-00518	Lock Washer, Helical Spring 1/4 Med	12
5	2-00-05060	Screw, #6-32 x 1.250 RHM	2
6	2-95-04182	Nut, Hex Fiber Insert 3/8-16	4
7	7-82-00023	Main Broom Control Switch	1
8	7-35-00013	Microswitch Insulation	1
9	2-00-00455	Flat Washer, .375 x .156 x .046	2
10	2-00-01499	Lock Washer, Helical Spring #6 Med	2
11	2-00-00624	Nut, Hex MS #6-32 x .312 x .109	2
12	7-42-05103	Main Broom Adjuster Linkage	1
13	7-57-05029	Main Broom Control Pivot	1
14	7-62-00032	Pivot Tube Retainer	2
15	2-00-00209	Screw, 3/8-16 x 1.250 HHC	1
16	2-00-02360	Nut, Hex 3/8-16 x .562 x .328	10
17	2-00-02310	Lock Washer, Helical Spring 3/8 Med	11
18+	7-70-05148	Main Broom Pivot Shaft	1
19	2-00-00402	Flat Washer, .750 x .390 x .093	7
20	2-00-00233	Screw, 3/8-16 x 1.000 HHC	8
21	2-00-00263	Setscrew, 1/4-20 x .250 HS-KCP	1
22	8-33-09062	Main Broom Drive Hub	1
23	2-00-00596	Nut, Hex 1/2-13 x .750 x .437	1
24	2-00-02312	Lock Washer, Helical Spring 1/2 Med	1
25		Main Broom,	1
26	8-75-01147	Spacer, .875 x .625 x .641	1
27	2-00-03306	Double Seal Bearing, 1.375x.437x.500	2
28	7-75-01112	Main Broom Idler Bracket	1
29	7-89-07939	W/D Mounting Angle	1
30	7-15-01037	Collar, 1.250 I.D.	1
31-	7-70-05144	Main Broom Pivot Shaft	1
32	2-00-02616	Screw, 1/2-13 x 3.000 HHC	1
33	2-00-00232	Screw, 3/8-16 x .750 HHC	1
34	7-03-04109	Main Broom Lift Arm	1
35	8-30-05112	Thread Guard	1
36	2-00-03158	Spacer, .750 x .500 x .375	1
37	8-33-09059	Main Broom Drive Hub	1
38	2-00-00221	Screw, 1/4-20 x .750 HHC	8
39	7-42-05101	Main Broom Adjuster Linkage	1
40	7-42-05102	Main Broom Adjuster Linkage	1
41	8-70-05285	Side Broom Pivot Shaft	1
42	7-57-05030	Main Broom Control Pivot Bracket	1
43	2-00-00234	Screw, 3/8-16 x 1.500 HHC	1
44	2-00-02558	Lubrication Fitting, 45<<198>>1/8 NPT	1
45	2-00-03855	Carriage Bolt, 3/8-16 x 1.000	4
46+	0885-078	Hydraulic Motor, w/ 3/16 x .63 Key	1
47+	8-30-05116	Thread Guard	1
48+	8-33-05086	Main Broom Motor Housing	1
49+	2-00-00518	Lock Washer, Helical Spring 1/4 Med	5
50+	2-00-04750	Screw, 1/4-28 x .500 BHS	3
51+	2-00-00221	Screw, 1/4-20 x .750 HHC	2
52+	2-00-04991	Street Fitting, 9/16-18 SAE"O"x3/4-16•JIC	2
53+	7-21-04034	Edging	1
54	7-89-06961	Bracket	1
+		Gas/Diesel Powered Machines	
-		Battery Powered Machines	

# MAIN BROOM - EXPLODED VIEW



C-0180A19612

## SIDE BROOM - PARTS LIST

<u>KEY NO.</u>	<u>PART NUMBER</u>	<u>DESCRIPTION</u>	<u>QTY.</u>
1	8-08-03140	Curb Broom	1
2	7-25-06035	Flange - Broom Mnt	1
3	2-00-00246	Screw - 1/4-20 x 1.75 HHC	4
4	2-00-04936	Nut - 1/2-13 HEX Fibre Lock	1
5	2-95-01931	Set Screw 1/4-20 x .31 HSKP	2
6	7-03-04134	Side Broom Arm	1
7	2-20-00407	Washer - Flat - .265 ID	7
8	2-00-03833	Nut - 1/4-20 HEX Fibre Lock	4
9	7-29-05039	Side Broom Motor 12V	1
10	2-00-00518	Washer - Lock - 1/4 ID HEL	5
11	2-00-00221	Screw - 1/4-20 x .75 HHC	4
12	7-30-05094	Side Broom Guard	1
13	2-00-02708	Screw - 5/16-18 x 1.00 HHC	4
14	2-00-00530	Washer - Lock - 5/16 ID HE	4
15	2-00-00409	Washer - Flat - 5/16 ID	4
16	2-00-00239	Screw - 1/2-13 x 1.00 HHC	1
17	2-00-00594	Nut - 1/4-20 HEX	2
18	2-00-00585	Nut - 5/16-18 HEX	2
19	2-00-00223	Screw - 1/4-20 x 1.25 HHC	1
20	0782-119	Actuator	1
21	2-00-03063	Screw - #10-24 x .75 THM	2
22	2-00-00519	Washer - #10 Lock	2
23	2-00-00605	Nut - #10-24 HEX	2
24	2-00-01677	Grommet	1
25	7-16-07361	Cover - Converter	1
26	0775-196	Motor Controller	1
27	7-75-01044	Spacer	2
28	0795-099	Harness - Jumper	1
29	2-00-00070	Screw - #8-32 x 1.00 RHM	2
30	2-00-00506	Washer #8 Star	2
31	2-00-00602	Nut - #8-32 HEX	2

C0404

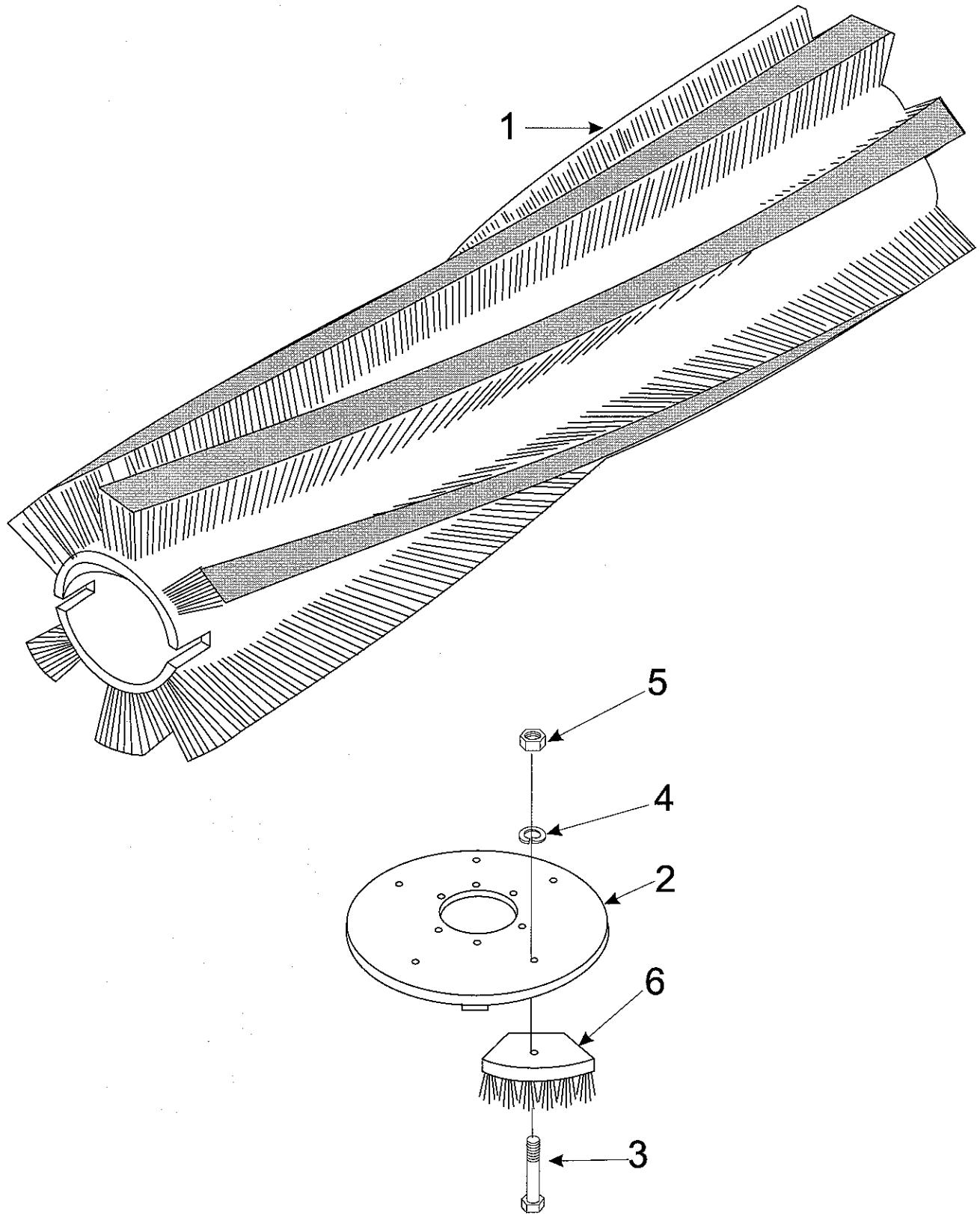


## BROOM & BRUSH OPTIONS - PARTS LIST

<u>KEY NO.</u>	<u>PART NUMBER</u>	<u>DESCRIPTION</u>	<u>QTY</u>
<b>Main Broom Option</b>			
1	7-08-03209	Proex and Wire Main Broom	1
1	7-08-03210	Proex Main Broom	1
1	7-08-03211	Nylon Main Broom	1
<b>Brush Options</b>			
2	7-19-02027	Disk Scrub Brush (3 Required)	1
3	2-00-02706	Screw, 1/4 - 20 x 1.000 HHC	5
4	2-00-00518	Lock Washer, Helical Spring 1/4 Med	5
5	2-00-00594	Nut, Hex 1/4 - 20 x .437 x .218	5
<b>Wood Back</b>			
6	7-08-03070	Bassine	15
6	7-08-03144	Amergrit	15
6	7-08-03207	Super Grit	15
<b>Plastic Back</b>			
6	7-08-03192	Bassine	15
6	7-08-03193	Straight Wire	15
6	7-08-03194	Nylon (Black)	15
6	7-08-03195	Amerfil (.025)	15
6	7-08-03196	Amerfil (.040)	15
6	7-08-03197	Amergrit	15

C0254

# BROOM & BRUSH OPTIONS - EXPLODED VIEW



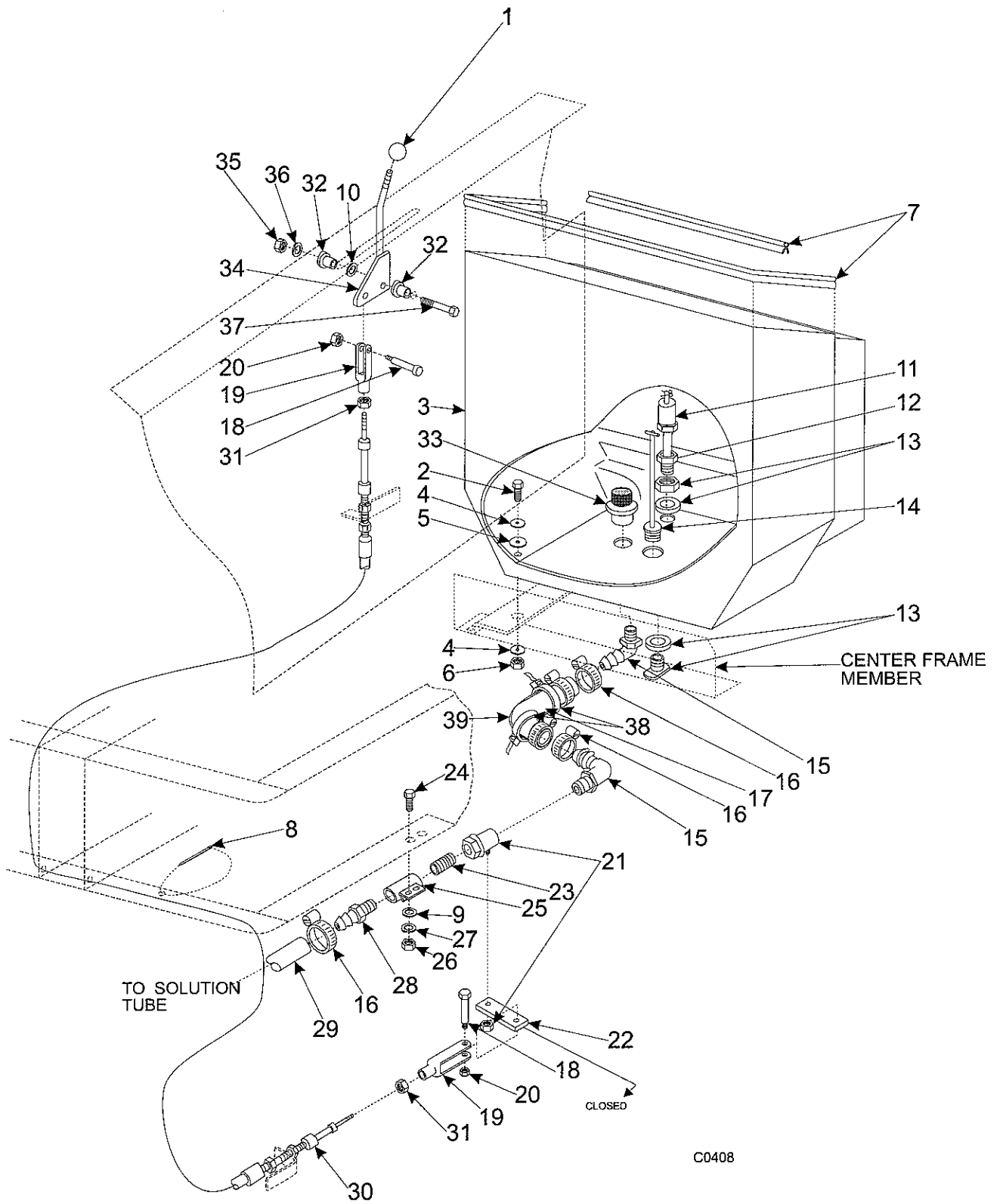
C0254

## SOLUTION TANK & CONTROL - PARTS LIST

<u>KEY NO.</u>	<u>PART NUMBER</u>	<u>DESCRIPTION</u>	<u>QTY</u>
1	8-39-00002	Control Knob	1
2	2-00-00205	Screw 1/4-20 x 1.00 HHC	4
3	7-83-04146	Solution Tank	1
4	2-00-05029	Washer - Flat 2.00 x .28 x .08	8
5	2-00-05028	Washer - Rubber 2.00 x .28 x .12	4
6	2-00-00641	Nut 1/4-20 HEX Fibre Lock	4
7	3-73-00075	Gasket - Bulb Seal	8
8	2-00-04345	Ty-Rap	1
9	2-00-03702	Flat Washer, .625 x .281 x .062	2
10	2-00-03382	Washer - Spring .875 x .500 x .015	1
11	7-82-00017	Float Switch	1
12	2-00-04853	Pipe Reducer Bushing, 1/4Mnpt - 1/8npt	1
13	7-09-01123	Bulkhead Bushing, 1/4 NPT	1
14	0760-223	Tank Plug	1
15	7-25-02053	90° Elbow, 3/4 NPT to 3/4 Barbed	2
16	2-00-02220	Hose Clamp, .812 - 1.500	3
17	7-33-02232	Hose, .750 x 66.000	1
18	2-00-04563	Screw, #10-24 x .625 x .375 SH	2
19	8-14-01006	Clevis, 1/4-28 x .250 x 2.000	2
20	2-00-01246	Nut, Hex Fiber Insert #10-24	2
21	7-88-00027	Solution Feed Valve	1
22	7-03-04087	Solution Feed Linkage Arm	1
23	2-00-03586	Pipe Nipple, 3/4 NPT x 2.000 Short	1
24	2-00-00221	Screw, 1/4-20 x .750 HHC	2
25	7-08-00415	Bracket	1
26	2-00-00594	Nut, Hex 1/4-20 x .437 x .218	2
27	2-00-00518	Lock Washer, Helical Spring 1/4 Med	2
28	7-25-02052	Straight Barb Stem, 3/4 NPT to 3/4 Barb	1
29	7-33-02233	Hose, .750 x 21.000	1
30	8-16-00030	Forward / Reverse Cable	1
31	2-95-01999	Nut, Hex Jam 1/4-28 x .437 x .156	2
32	7-09-01057	Flanged Bushing .328 x .875 x .490	2
33	7-24-04034	Strainer Filter	1
34	7-41-05078	Solution Control Linkage Lever	1
35	2-00-00585	Nut 5/16-18 X .500 X .265	1
36	2-00-00530	Washer - Lock 5/16 Med Hel	1
37	2-00-03994	Screw 5/16-18 x 1.50 Carriage Bolt	1

C0408

# SOLUTION TANK & CONTROL - EXPLODED VIEW



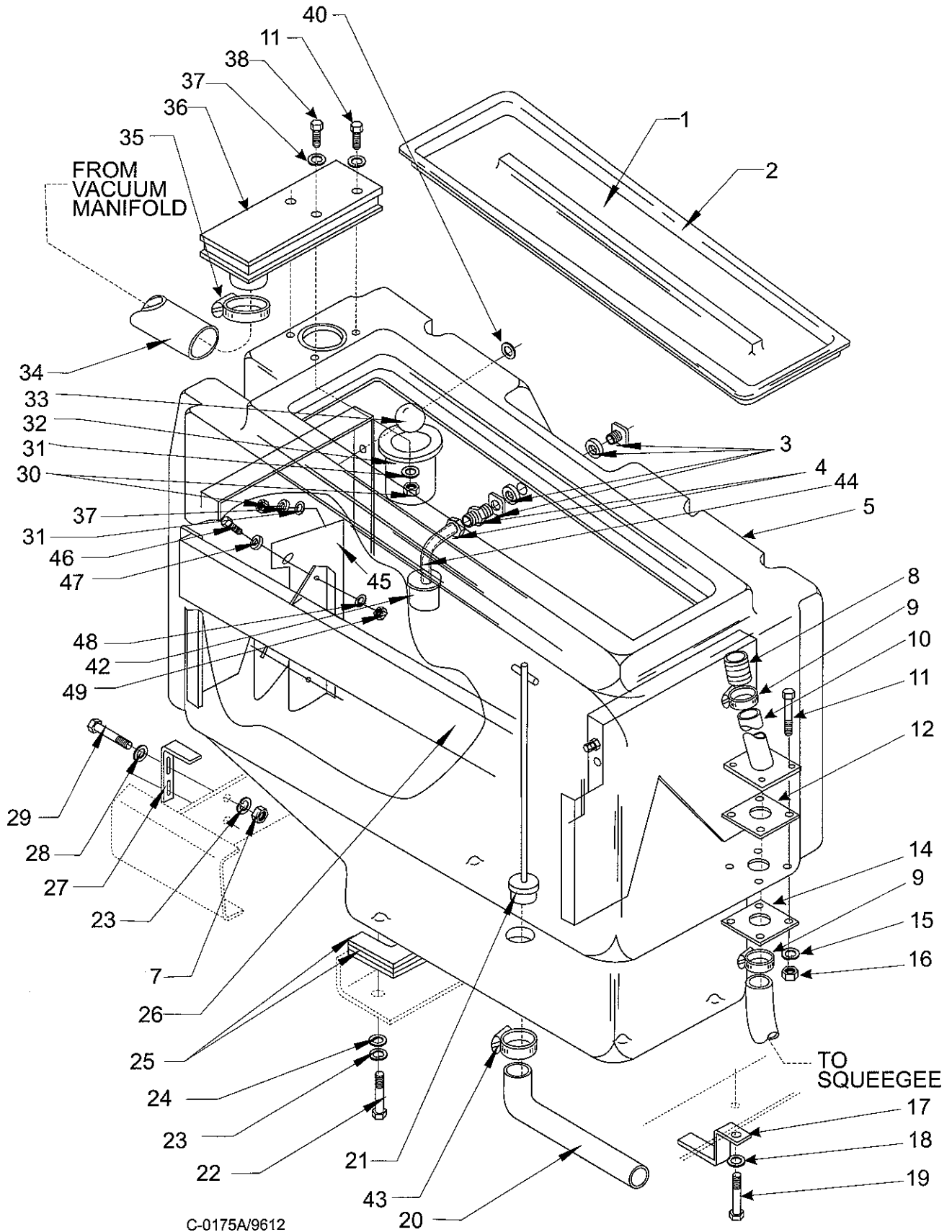
C0408

## RECOVERY TANK - PARTS LIST

<u>KEY NO.</u>	<u>PART NUMBER</u>	<u>DESCRIPTION</u>	<u>QTY</u>
1	7-16-07291	Recovery Tank Lid	1
2	3-73-00060	Edging,	62.500"
3	7-09-01124	Bulk Head Fitting	1
4	7-09-01122	Float Switch and Bushing	1
5	7-83-04100	Recovery Tank	1
6	2-00-00234	Screw, 3/8-16 x 1.50 HHC	4
7	2-00-00643	Nut, Hex 3/8-16 x .562 x .328	6
8	7-33-02234	Tank Outlet Hose	1
9	2-00-02214	Hose Clamp, 1.312 - 2.250	2
10	7-87-02152	Recovery Tank Feed Tube	1
11	2-00-04966	Screw, 1/4-20 x 1.50 HHC S.S.	4
12	7-29-00168	Recovery Tank Tube Gasket	1
13	7-08-00565	Inside Recovery Tank Bracket	2
14	7-89-07033	Recovery Tank Tube Plate	1
15	2-00-00518	Lock Washer, Helical Spring 1/4 Med	4
16	2-00-00594	Nut, Hex 1/4-20 x .437 x .218	4
17	7-32-03012	Drain Tube Holder	1
18	2-00-02312	Lock Washer, 1/2 Med.	1
19	2-00-02676	Screw, 1/2-13 x .750 HHC	1
20	7-87-02153	Recovery Tank Tube	1
21	0760-327	Drain Plug Assembly	1
	7-25-02030	Drain Plug	1
22	2-00-00209	Screw, 3/8-16 x 1.250 HHC	4
23	2-00-02310	Lock Washer, Helical Spring 3/8 Med	6
24	2-95-04689	Flat Washer, 2.000 x .406 x .162	4
25	7-75-01115	Recovery Tank Spacer	10
26	7-81-00146	Recovery Tank Support	1
27	7-08-00560	Recovery Tank Bracket	1
28	2-00-00402	Flat Washer, .750 x .390 x .093	2
29	2-00-00233	Screw, 3/8-16 x 1.000 HHC	2
30	2-00-04688	Nut, Hex 1/4-20 x .437 x .218	3
31	2-00-00407	Flat Washer, .562 x .265 x .062	3
32	7-10-04008	Float Cage	1
33	7-26-04012	Recovery Float	1
34	7-33-02229	Vacuum Manifold Hose	1
35	7-13-07104	Hose Clamp,	2
36	7-20-06006	Recovery Tank Duct	1
37	2-00-04687	Lock Washer, Helical Spring 1/4 Med	3
38	2-00-05122	Screw, 1/4-20 x 2.00 HHC S.S.	1
39	2-00-04966	Screw, 1/4-20 x 1.50 HHM	2
40	2-00-04590	Sealing Washer, .625 x .250	1
41	2-00-00205	Screw, 1/4-20 x 1.000 HHC	1
42	0775-164	Float Switch	1
43	2-00-02212	Hose Clamp, 1.812 - 2.750	1
44	7-33-02235	Switch Support Hose	1

C0175A

# RECOVERY TANK - EXPLODED VIEW



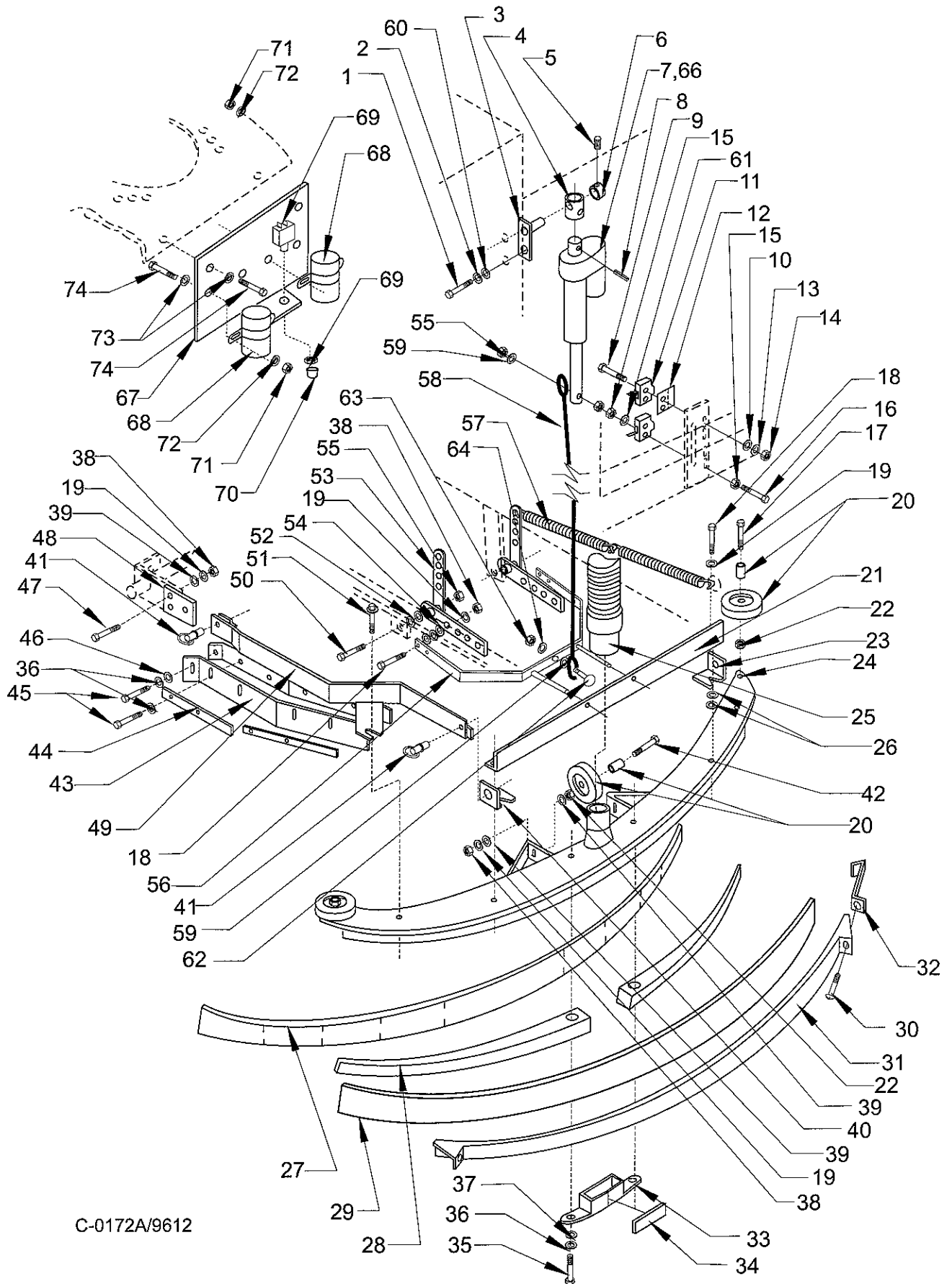
## SIDE & REAR SQUEEGEE - PARTS LIST

KEY NO	PART NUMBER	DESCRIPTION	QTY	KEY NO	PART NUMBER	DESCRIPTION	QTY
1	2-00-01255	Screw, 5/16-18 x .875 HHC	2	36	2-00-00518	Lock Washer, Helical Spring 1/4 Med	12
2	2-00-00530	Lock Washer, Helical Spring 5/16 Med	2	37	2-00-00407	Flat Washer, .562x.265x.062	2
3	7-08-00397	Bracket	1	38	2-00-02360	Nut, Hex 3/8-16x.562x.3281	2
4	7-72-03028	Actuator Sleeve	1	39	2-00-00402	Flat Washer, .750x.390x.093	8
5	2-00-00263	Setscrew, 1/4-20 x .250 HS-KCP	1	40	7-08-00556	Left Hand Squeegee Lift Bracket	1
6	8-15-01016	Setscrew Collar, 1.000 x .500 x .437	1	41	7-55-08110	Side Skirt Lock Pin	4
7*	0782-106	Squeegee Lift Actuator (36V)	1	42	2-00-04048	Screw, 3/8-16x2.000HHC	2
8	2-00-04663	Radial Locking Spring Pin, .500 x 2.750	1	43	7-25-08044	Side Squeegee Flap	2
9	2-00-05060	Screw, #6-32 x 1.250 RHM	4	44	7-79-00065	Side Squeegee Strap	4
10	2-00-00455	Flat Washer, .375 x .156 x .046	4	45	2-00-00221	Screw, 1/4-20x.750HHC	16
11	7-82-00023	Microswitch	2	46	2-00-01676	Flat Washer, 1.062x.265x.062	2
12	7-35-00013	Microswitch Insulation	2	47	2-00-00233	Screw, 3/8-16x1.000HHC	4
13	2-00-01499	Lock Washer, Helical Spring #6 Med	4	48			
14	2-00-00624	Nut, Hex MS #6-32 x .312 x .109	4	49	7-42-05105	Left Hand Side Squeegee Link	1
15	2-00-02371	Nut, Hex Jam 1/2-13 x .750 x .312	3	49	7-42-05106	Right Hand Side Squeegee Link	1
16	2-00-04854	Bolt, Square Reg. 1/2-13 x 3.50	1	50	2-00-00247	Screw, 1/2-13x2.500HHC	2
17	2-00-00234	Screw, 3/8-16 x 1.500 HHC	2	51	7-80-05071	Locator Pin Stud	2
18	2-00-00209	Screw, 3/8-16 x 1.250 HHC	6	52	2-95-04329	Flat Washer, .750x.505x.065	4
19	2-00-02310	Lock Washer, Helical Spring 3/8 Med	12	53	7-03-04112	Squeegee Lift Arm	2
20	7-89-08039	Wheel	4	54	2-00-04801	Flat Washer, .875 x .375 x .125	2
21	7-08-00566	Rear Squeegee Bracket	1	55	2-00-04936	Nut, Hex Fiber Insert, 1/2-13	3
22	2-00-02369	Nut, Hex Jam 3/8-16x.562x.218	4	56	7-92-00036	Squeegee Lift Yoke	1
23	7-08-00555	Right Hand Squeegee Lift Bracket	1	57	7-76-00102	Spring	4
24	7-86-08024	Rear Squeegee Tool	1	58	7-10-00023	Squeegee Lift Cable	1
25	7-33-02231	Squeegee Hose	1	59	2-00-00405	Flat Washer, 1.062 x .531 x .093	2
26	2-95-04689	Flat Washer, 2.000x.406x.162	4	60	2-00-00409	Flat Washer, .687 x .343 x .062	2
27	7-77-00077	Front Squeegee Rubber	1	61	2-00-00427	Flat Washer, .875 x .343 x .062	2
28	7-75-01114	Rear Squeegee Blade Spacer	2	62	2-00-00196	Carriage Bolt, 5/16-18 x 1.000	1
29	7-77-00076	Rear Squeegee Rubber	1	63	2-00-00585	Nut, Hex 5/16-18	1
30	2-00-00060	Screw, 1/4-20x1.250RHM	2	64	2-00-00530	Lock Washer, Helical Spring 5/16 Med	1
31	7-13-07111	Squeegee Band Clamp	1	65	2-00-00511	Washer, # 6 Int.	4
32	7-13-07094	Squeegee End Clamp	2	66	0782-122+	Squeegee Lift Actuator (12V)	1
33	7-20-06005	Squeegee Inlet Duct	1	67	7-52-00109+	Panel, Squeegee Solenoid	1
34	7-50-00021	Squeegee Grip Pad	1	68	7-15-08006+	Contactactor	2
35	2-00-00203	Screw, 1/4-20x1.500HHC	2	69	8-64-00007+	Circuit Breaker, 10 amp	1
				70	8-11-00044+	Boot	1
				71	2-00-00594	Nut, Hex 1/4-20	6
				72	2-00-00518+	Lock Washer, Helical Spring 1/4 Med	6
				73	2-00-00407+	Flat Washer, .562x.265x.062	4
				74	2-00-00221+	Screw, 1/4-20 x .750 HHC	6

\*36 volt for Battery Powered Machines Only  
+12volt for Gas/Diesel LP Powered Machines Only

C172a

# SIDE & REAR SQUEEGEE - EXPLODED VIEW

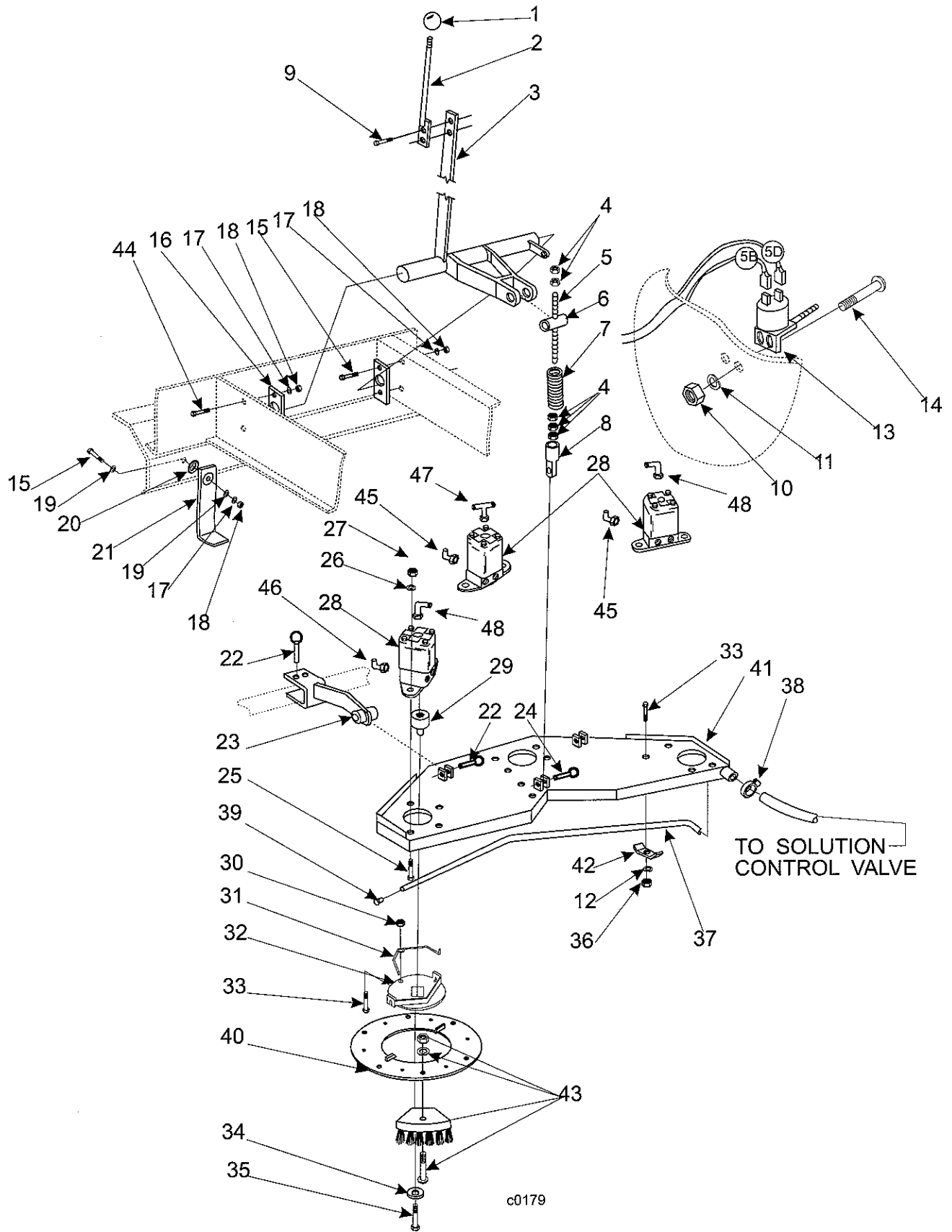


C-0172A/9612

## SCRUB DECK & LIFT - PARTS LIST

<u>KEY NO.</u>	<u>PART NUMBER</u>	<u>DESCRIPTION</u>	<u>QTY</u>
1	8-39-00003	Control Knob	1
2	7-41-05091	Scrub Deck Lever	1
3	7-42-05114	Scrub Deck Linkage	1
4	2-00-00591	Nut, Hex Jam 1/2-20 X .750 X .312	5
5	7-66-00151	Rod	1
6	7-57-05031	Pivot	1
7	2-10-01336	Spring	1
8	8-66-00144	Rod End	1
9	2-00-00224	Screw, 5/16-18 X .500 HHC	2
10	2-00-00605	Nut, Hex MS #10-24 X .375 X .125	2
11	2-00-00519	Lockwasher, Helical Spring #10 Med	2
12	2-00-00518	Lockwasher, Helical Spring 1/4 Med	2
13	7-82-00027	Mechanical Switch	1
14	2-00-03061	Screw, #10-24 X .500 THM	2
15	2-00-00233	Screw, 3/8-16 X 1.000 HHC	3
16	7-62-00032	Pivot Tube Retainer	2
17	2-00-02310	Lockwasher, Helical Spring 3/8 Med	5
18	2-00-02360	Nut, Hex 3/8-16 X .562 X .328	5
19	2-00-00402	Flat Washer, .750 X .390 X .093	2
20	2-00-03829	Lockwasher, 3/8 Ext/int	1
21	8-79-00030	Static Strap	1
22	7-55-08124	Self Locking Pin	6
23	7-03-04117	Scrub Deck Arm	2
24	7-55-08108	Self Locking Pin	1
25	2-00-01254	Screw, 1/2-13 X 1.500 HHC	6
26	2-00-02312	Lockwasher, 1/2 Med. H.S.	6
27	2-00-00596	Nut, 1/2-13 Hex	6
28	0782-129	Hydraulic Motor	3
29	7-33-09031	Hub, Brush Drive	3
30	2-00-00641	Nut, 1/4-20 Hex Fiber Lock	3
31	7-41-00027	Latch, Brush Driver	3
32	7-03-04123	Arm, Brush Driver	3
33	2-00-00221	Screw, 1/4-20 X .750 HHC	5
34	2-00-04851	Flat Washer, 1.56 O.D. X .39 I.D. X .09	3
35	2-00-00225	Screw, 5/16-18 X 1.50 HHC	3
36	2-00-00594	Nut, Hex 1/4-20 X .437 X .218	2
37	7-87-02150	Solution Feed Tube	1
38	2-00-02220	Hose Clamp, .812 - 1.500	1
39	2-00-05086	Plug	1
40	7-19-02027	Disc, Scrub Brush	3
41	7-27-07155	Frame, Scrub Deck	1
42	7-13-07114	Clamp, Solution Feed Tube	2
43	—	See Brush Options	-
44	2-00-03031	Screw, 3/8 - 16 X 1.500 FHS HC	2
45	2-00-04921	Ftg - 90° Elbow #8 SAE - #8 ORS	5
46	2-00-04989	Ftg - 45° Elbow #8 SAE - #8 ORS	1
47	2-00-04919	Ftg - Tee #9 SAE - #4 ORS	1
48	2-00-04892	Ftg - 90° Elbow #4 SAE - #4 ORS	2

# SCRUB DECK & LIFT - EXPLODED VIEW



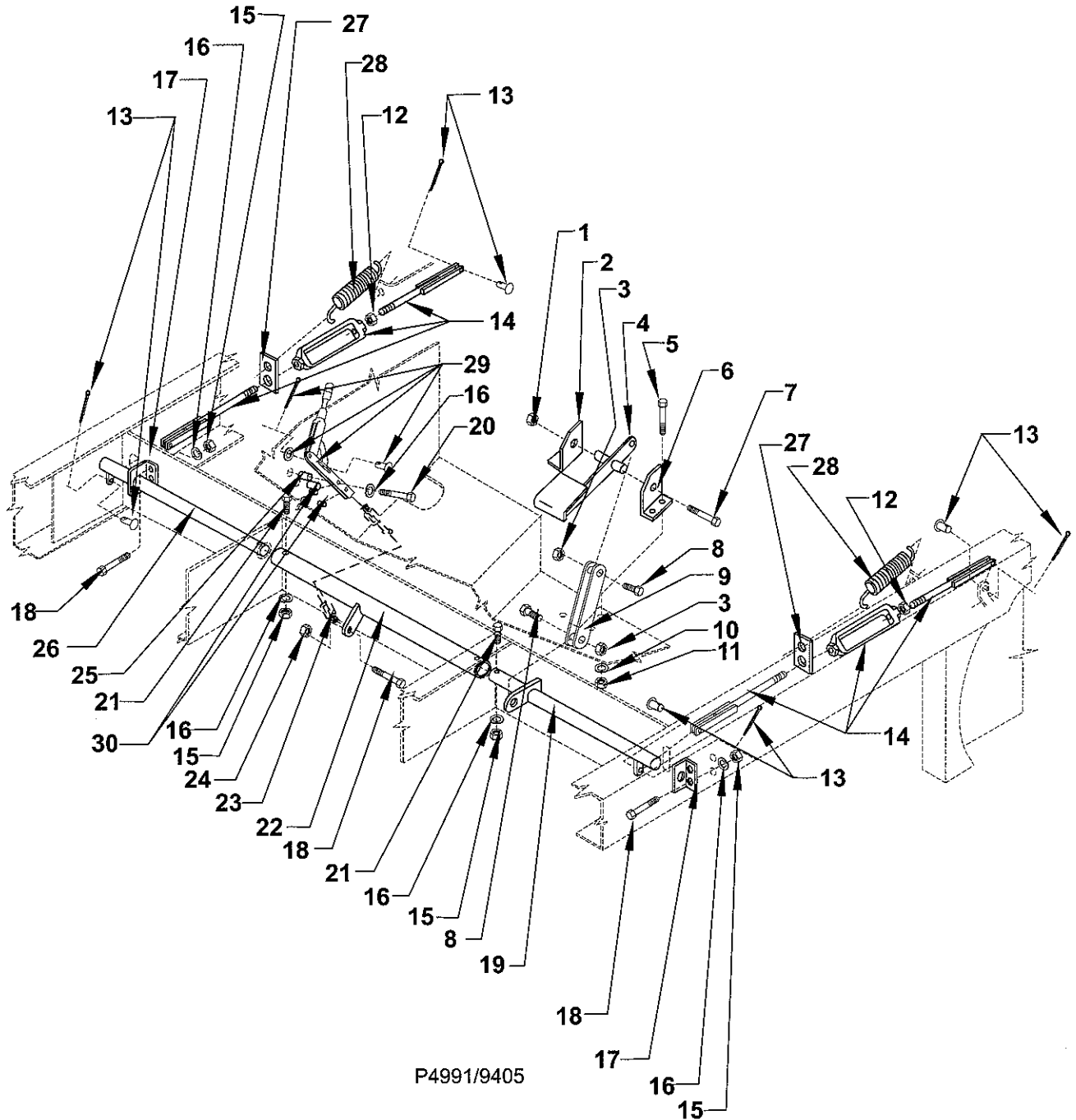
c0179

## BRAKE SHAFT - PARTS LIST

<u>KEY NO.</u>	<u>PART NUMBER</u>	<u>DESCRIPTION</u>	<u>QTY</u>
1	2-00-00640	Nut, Hex Fiber Insert 1/2-20	1
2	8-08-00665	Brake Pedal Bracket (LH)	1
3	2-95-04182	Nut, Hex Fiber Insert 3/8-16	2
4	8-55-08116	Brake Pedal	1
5	2-00-00232	Screw, 3/8-16 x .750 HHC	4
6	8-08-00666	Brake Pedal Bracket (RH)	1
7	2-00-02695	Screw, 1/2-20 x 2.500 HHC	1
8	2-00-00233	Screw, 3/8-16 x 1.000HHC	2
9	7-42-05100	Front Wheel Brake Link	2
10	2-00-02310	Lock Washer, Helical Spring 3/8 Med	4
11	2-00-02360	Nut, Hex 3/8-16 x .562 x .328	4
12	2-00-02369	Nut, Hex Jam 3/8-16 x .562 x .218	2
13	7-55-08123	Yoke Pin, 5/16	4
14	7-16-05025	Turnbuckle Assembly	2
15	2-00-00585	Nut, Hex 5/16-18 x .500 x .265	6
16	2-00-00530	Lock Washer, Helical Spring 5/16 Med	8
17	8-08-00571	Brake Shaft Bracket	2
18	2-00-02708	Screw, 5/16-18 x 1.000 HHM	5
19	7-70-05141	Brake Shaft (RH)	1
20	2-00-01770	Screw, 5/16-18 x 2.750 HHC	2
21	2-00-00225	Screw, 5/16-18 x 1.500 HHC	2
22	7-72-03027	Brake Shaft Sleeve	1
23	7-10-00022	Parking Brake Cable Assembly	1
24	2-00-00644	Nut, Hex Fiber Insert 5/16-18	1
25	8-75-01184	Spacer, .843 x .625 x 1.000	2
26	7-70-05142	Brake Shaft (LH)	1
27	7-08-00551	Brake Spring Bracket	2
28	7-76-00102	Spring	2
29	7-41-05083	Hand Brake Assembly	1

P4991/9405

# BRAKE SHAFT - EXPLODED VIEW



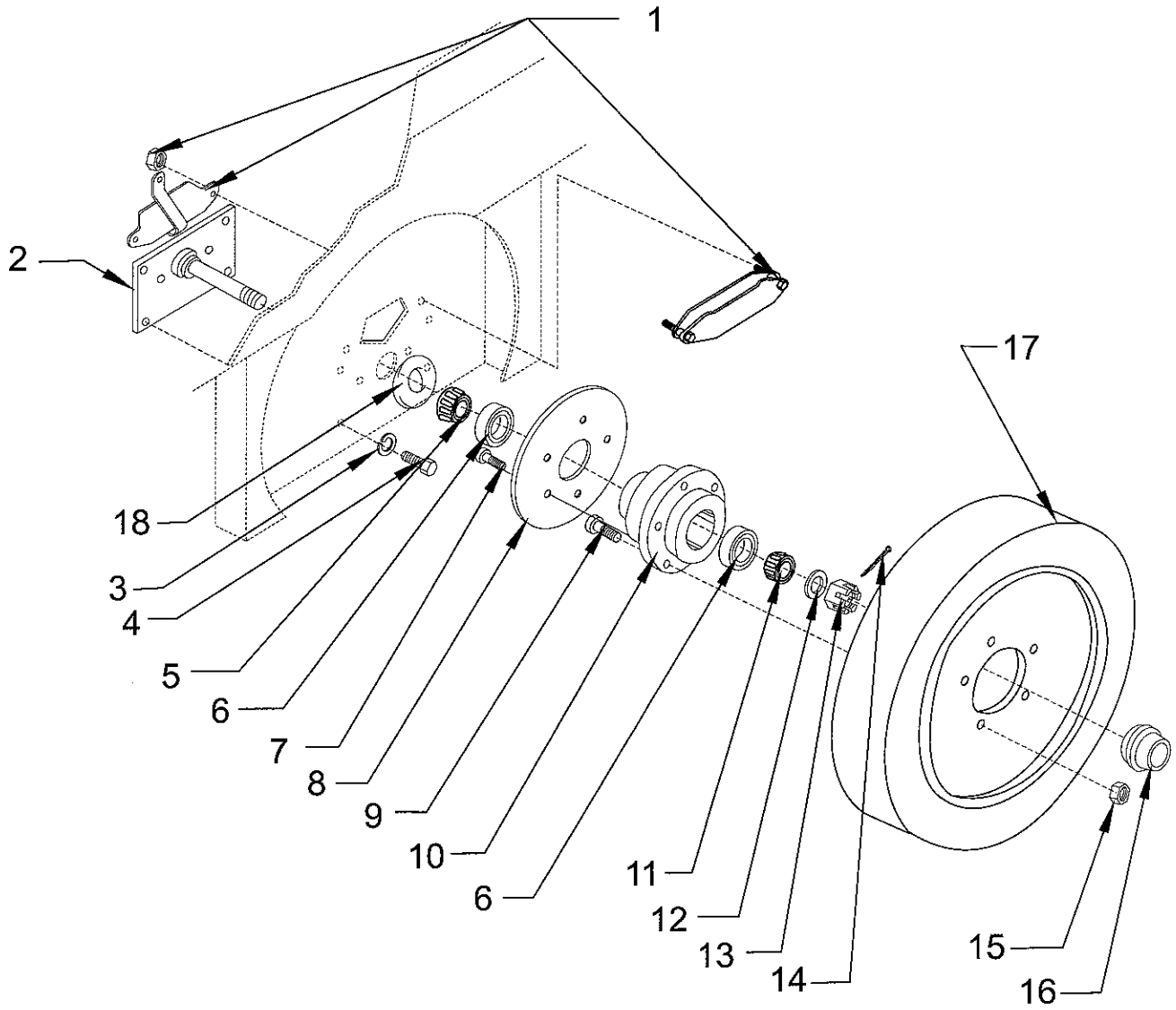
## FRONT WHEEL & BRAKE - PARTS LIST

---

<u>KEY NO.</u>	<u>PART NUMBER</u>	<u>DESCRIPTION</u>	<u>QTY</u>
1	7-08-02008	Brake Caliper Assembly Weldment	2
2	7-03-09008	Stub Axle Weldment	2
3	2-00-2312	Lock Washer, Helical Spring 1/2 Med	8
4	2-00-02689	Screw, 1/2-20 x 1.000 HHC	8
5	2-00-02079	Roller Bearing, 2.328 x 1.250 x .703	2
6	2-00-04621	Roller Bearing, Cup Only	4
7	2-00-03051	Screw, 1/4-20 x .750 HSHC	10
8	7-08-02007	Brake Disc	2
9	7-80-05065	Stud, 1/2-20 x 1.375	10
10	7-33-09027	Front Wheel Hub	2
11	2-00-04622	Roller Bearing, Cone	2
12	8-75-01136	Flat Washer, 2.000 x 1.265 x .125	2
13	8-23-03056	Nut, Hex Slotted 1 1/4-12	2
14	2-00-00776	Cotter Pin, .125 x 1.500	2
15	8-23-03065	Nut, Chamfered 1/2-20 x .800 x .620	10
16	8-11-00030	Dust Cap	2
17	7-89-08044	Molded Wheel	2
18	2-00-03797	Washer Seal	2

P-4990A

# FRONT WHEEL & BRAKE - EXPLODED VIEW



## REAR WHEEL (GAS/DIESEL) - PARTS LIST

<u>KEY NO.</u>	<u>PART NUMBER</u>	<u>DESCRIPTION</u>	<u>QTY</u>
1	0885-072	Hydraulic Motor	1
2	7-89-08058	Drive Wheel	1
3	2-00-00776	Cotter Pin	2
4	7-23-03101	Nut, Chamfered M14 x 1.5	5
5	7-80-05227	Wheel Stud, M14 x 1.5	5
6	7-33-09028	Rear Wheel Hub	1
7	2-00-02682	Screw, 1/2-13 x 2.750 HHC	4
8	7-30-05083	Guard, Actuator Solenoids	1
9	2-00-04936	Nut, Hex 1/2-13 Fiber Lock	4
10	7-81-00162	Rear Wheel Support	1
11	2-00-02568	Lubrication Fitting, 45198 x 1/8 NPT	1
12	2-00-04990	ORFS Reducer	2
13	2-00-04455	Thrust Bearing	1
14	7-58-05229	Bearing Mounting Plate	1
15	2-00-04456	Cup Bearing	1
16	2-00-03051	Screw, 1/4-20 x .750 SHCS	1
17	2-00-00518	Lock Washer, 1/4	1
18	2-00-01260	Dowel Pin, .250 x .625	2
19	2-00-00594	Nut, Hex 1/4-20	1
20	7-03-04121	Rear Wheel Steering Arm	1
21	2-00-03761	Key, .250 x 1.75 SQ	1
22	8-75-05263	Flat Washer, 3/4 I.D.	2
23	2-00-04841	Nut, Hex Slotted 3/4-16	1
24	2-00-00239	Screw, 1/2 - 13 x 1.000 HHC	2
25	2-00-00240	Screw, 1/2 - 13 x 1.250 HHC	2
26	2-00-02312	Lock Washer, 1/2	4
27	2-00-03797	Flat Washer, 2.250 x 1.275 x .037	2
28	7-21-04025	Edging	1
29	2-00-04900	Elbow 90° Swivel, #8 SAE - #8 ORS	2

C0177

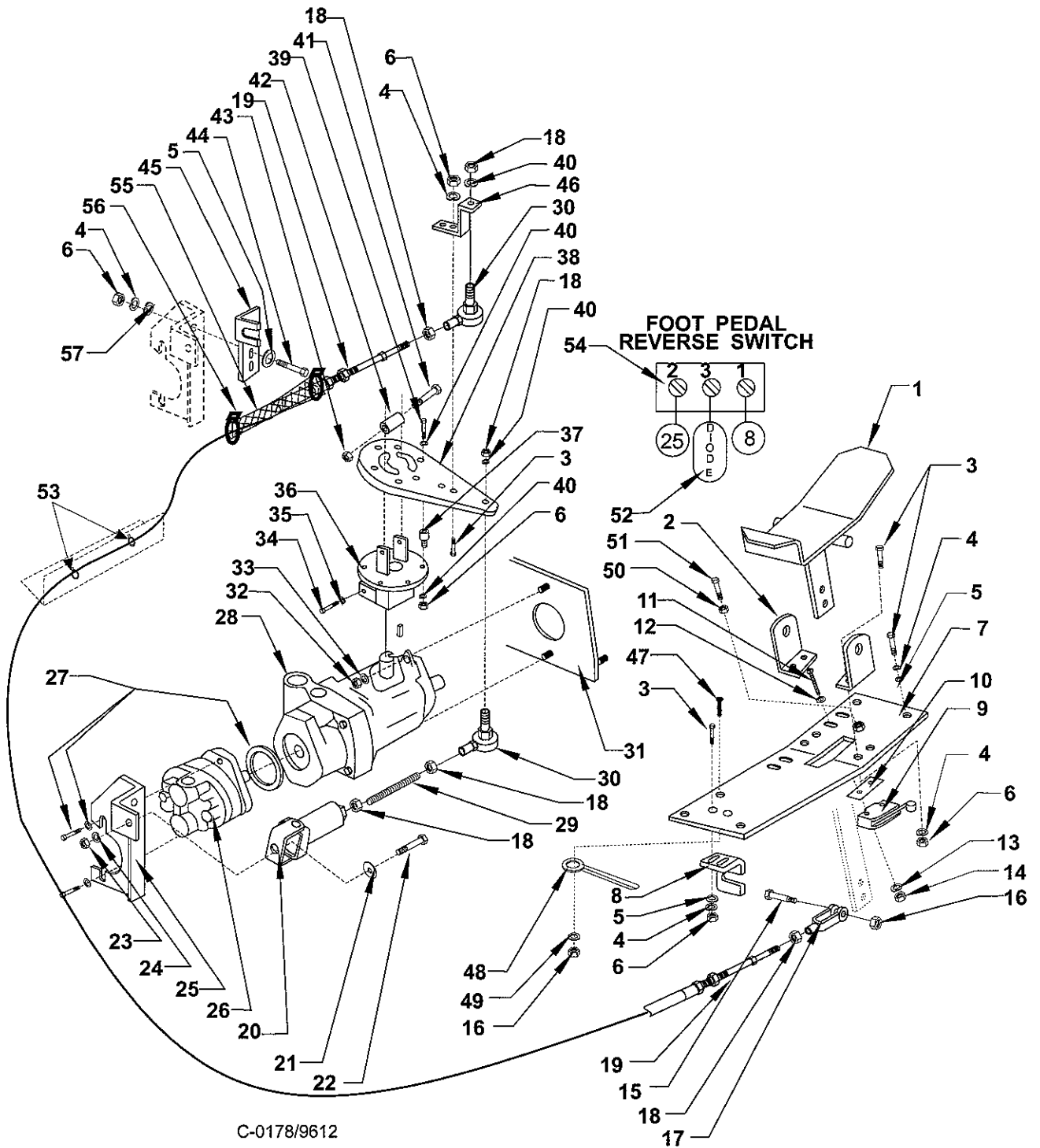


## FORWARD/REVERSE ASSEMBLY (GAS/DIESEL) - PARTS LIST

<u>KEY NO.</u>	<u>PART NUMBER</u>	<u>DESCRIPTION</u>	<u>QTY</u>
1	7-55-00012	Forward/reverse Pedal	1
2	7-08-00591	Forward/reverse Pedal Bracket	2
3	2-00-00221	Screw, 1/4-20 X .750 HHC	12
4	2-00-00518	Lockwasher, 1/4 Med. H.S..	14
5	2-00-00407	Flat Washer, .562 X .265 X .062	8
6	2-00-00594	Nut, Hex 1/4-20	16
7	7-16-07317	Plate, Forward & Reverse Control	1
8	8-08-00506	Bracket, Accelerator Cable Mount	1
9	7-82-00024	Micro Switch	1
10	7-35-00013	Micro Switch Insulation	1
11	2-00-05060	Screw, #6-32 X 1.25 RHM	2
12	2-00-00455	Flat Washer, .375 X .156 X .046	2
13	2-00-01499	Lockwasher, #6 Med. H.S..	2
14	2-00-00624	Nut, Hex #6-32	2
15	2-00-04563	Screw, #10-24 X .625 S.H..	1
16	2-00-01246	Nut, Hex Fiber Insert #10-24	2
17	8-14-01006	Clevis	1
18	2-95-01999	Nut, Hex Jam 1/4-28	6
19	8-16-00030	Cable	10
20	8-16-00025	Centering Control	1
21	2-00-00405	Flat Washer, 1.062 X .531 X .093	1
22	2-00-00239	Screw, 1/2-13 X 1.000 HHC	1
23	2-00-02352	Nut, Hex 1/2-13	1
24	2-00-02312	Lockwasher, 1/2 Med. H.S..	1
25	7-08-00635	Bracket, Hydroback	1
26	7-60-05015	Pump, Gear (.70)	1
27	0880-404	Pump Assembly Kit	1
28	8-60-05006-2	Piston Pump (1.24)	1
29	7-66-00147	Rod, 1/4-28 X 3.000	1
30	7-25-02050	Rod End, 1/4-28	2
31	7-58-05249	Pump Mounting Plate	1
32	2-00-00643	Nut, Hex 3/8-16 Fiber Lock	2
33	2-00-00402	Flat Washer, .750 X .390 X .093	2
34	2-00-00225	Screw, 5/16-18 X 1.500 HHC	1
35	2-00-00530	Lockwasher, 5/16 Med. H.S..	1
36	7-03-04105	Transmission Arm	1
37	7-75-01089	Isolator	6
38	7-58-05220	Transmission Plate	1
39	2-00-00219	Screw, 1/4-20 X .500 HHC	6
40	2-00-00501	Lockwasher, 1/4 Int.	14
41	2-00-00246	Screw, 1/4-20 X 2.250 HHC	1
42	7-75-01110	Transmission Arm Spacer	1
43	2-00-00641	Nut, Hex Fiber Insert 1/4-20	1
44	2-00-00205	Screw, 1/4-20 X 1.000 HHC	2
45	7-08-00634	Cable Mounting Bracket	1
46	7-03-04107	Arm, Shift	1
47	2-00-04897	Screw, #10-24 X 1 1/4 THM	1
48	2-00-04937	Wire Tie	1
49	2-00-00426	Flat Washer	1
50	2-00-00596	Nut, Hex 1/2-13 x .437 x .750	1
51	2-00-00240	Screw, 1/2-13 x 1.250	1
52	0775-167	Diode Assembly	1
53	2-00-04345	Ty Raps	2
54	2-00-00511	Lock Washer, # 6 Int..	3
55	7-34-09018	Insulating Sleeve	1
56	2-95-04388	Hose Clamp	2

C0178/9405

# FORWARD/REVERSE ASSEMBLY (GAS/DIESEL) - EXPLODED VIEW



# HOPPER ASSEMBLY - PARTS LIST

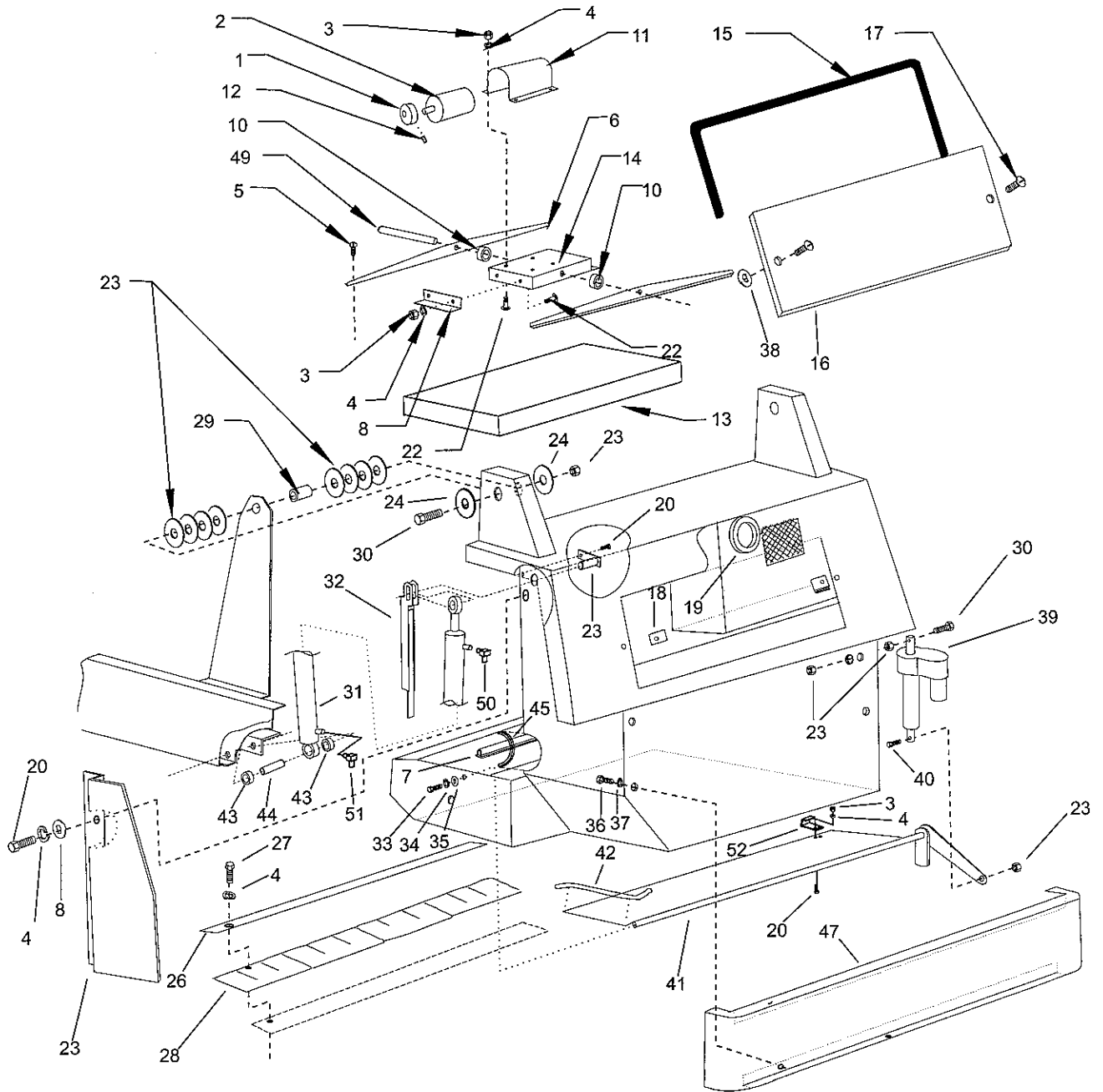
<u>KEY NO.</u>	<u>PART NUMBER</u>	<u>DESCRIPTION</u>	<u>QTY</u>
1	8-89-04006	Weight - Shaker Motor	1
2	0882-027**	Shaker Motor 12V For Gas And Diesel Machine	1
2	0882-033*	Shaker Motor 36 V For Battery Machine Only	1
3	2-00-00594	Nut - 1/4-20 HEX	8
4	2-00-00518	Washer - Lock - 1/4 HEL	17
5	2-95-00024	Knob	4
6	7-13-07145	Clamp - Filter	2
7	7-65-05009	Seal - Hopper	1
8	2-00-00407	Washer - Flat - 1/4 ID	5
9	7-03-04135	Arm - Shaker	1
10	8-15-01016	Collar w/Set Screw 1/2 ID	2
11	8-16-07181	Cover - Shaker Motor	1
12	2-95-01942	Flat Washer, 5/16 I.D.	2
13	8-24-04074	Filter - Hopper	1
14	7-58-05256	Plate - Shaker	1
15	7-68-05010	Seal - Hopper Cover	1
16	7-16-07362	Cover - Hopper	1
17	7-23-03105	Screw - Captivated - Cover	2
18	8-23-03108	U-Clip	2
19	8-29-00093	Gasket, Vac Chamber	1
20	2-00-00220	Screw - 1/4-20 x .630 HHC	7
21	8-55-08105	Pin - Cylinder Lift	2
22	7-75-01157	Spacer, Outside	2
23	2-00-04936	Nut - 1/2-13 Locking	5
24	7-75-01097	Washer - Flat - 1/2 ID x 2.00 OD	4
25	2-00-03266	Flat Washer, 3/8 I.D.	4
26	7-13-07144	Clamp - Hopper Flap	4
27	2-00-00208	Screw, 5/16-18 x .750 HHC	4
28	7-25-08057	Flap - Hopper	4
29	7-55-08136	Pin - Hopper Pivot	2
30	2-00-02618	Screw - 1/2-13 x 3.50	3
31	7-17-05014	Lift Cylinder	2
32	7-03-04136	Safety Arm	1
33	7-75-01156	Spacer, Outside	2
34	2-00-00530	Washer - Lock - 5/16 ID HEL	1
35	7-08-00397	Bracket, Actuator Mount, L.H.	1
36	2-00-00232	Screw - 3/8-16 x .750 HHC	6
37	2-00-02310	Washer - Lock - 3/8 ID HEL	6
38	7-23-03107	Grommet, Retainer	2
39 *	0782-090-1*	Actuator - 12V - Dump Door	1
39 **	0782-130**	Actuator - 36V - Dump Door	1
40	2-00-00247	Screw - 1/2-13 x 2.500 HHC	1
41	7-19-08051	Weldment - Dump Door	1
42	7-68-05073	Seal - Dump Door	2
43	2-00-04322	Collar w/Set Screw 3/4 ID	7
44	7-55-08137	Pin - Cylinder Pivot	2
45	7-21-04035	Edging	1
46	7-16-07365	Cover - Hopper Harness	1
47	7-08-07071	Weldment - Front Bumper	1
48	7-32-06015	Weldment - Hopper	1
49	7-55-08138	Pin - Shaker Pivot	1
50	2-00-04892	FTG - 90° EL - #4 SAE - #4 ORS	2
51	2-00-04976	FTG - 45° EL - #4 SAE - #4 ORS	2
52	7-08-00780	Bracket - Switch Trip	1
53	2-00-00263	Set Screw, 1/4-20 x .250	1
54	2-00-03575	Carriage Bolt, 1/4-20 x .750	4
55	7-23-03106	Washer	2
56	2-00-02708	Screw, 5/16-18 x 1.000 HHC	1
57	7-09-01057	Bushing	3
58	7-75-01154	Bushing	2
59	2-00-00585	Nut, Hex 5/16-18	1
60	2-00-00405	Flat Washer, 1/2 I.D.	3

\*6700 Battery E.H. Only

\*\*6700 I.C. Only

C0402

# HOPPER ASSEMBLY - EXPLODED VIEW

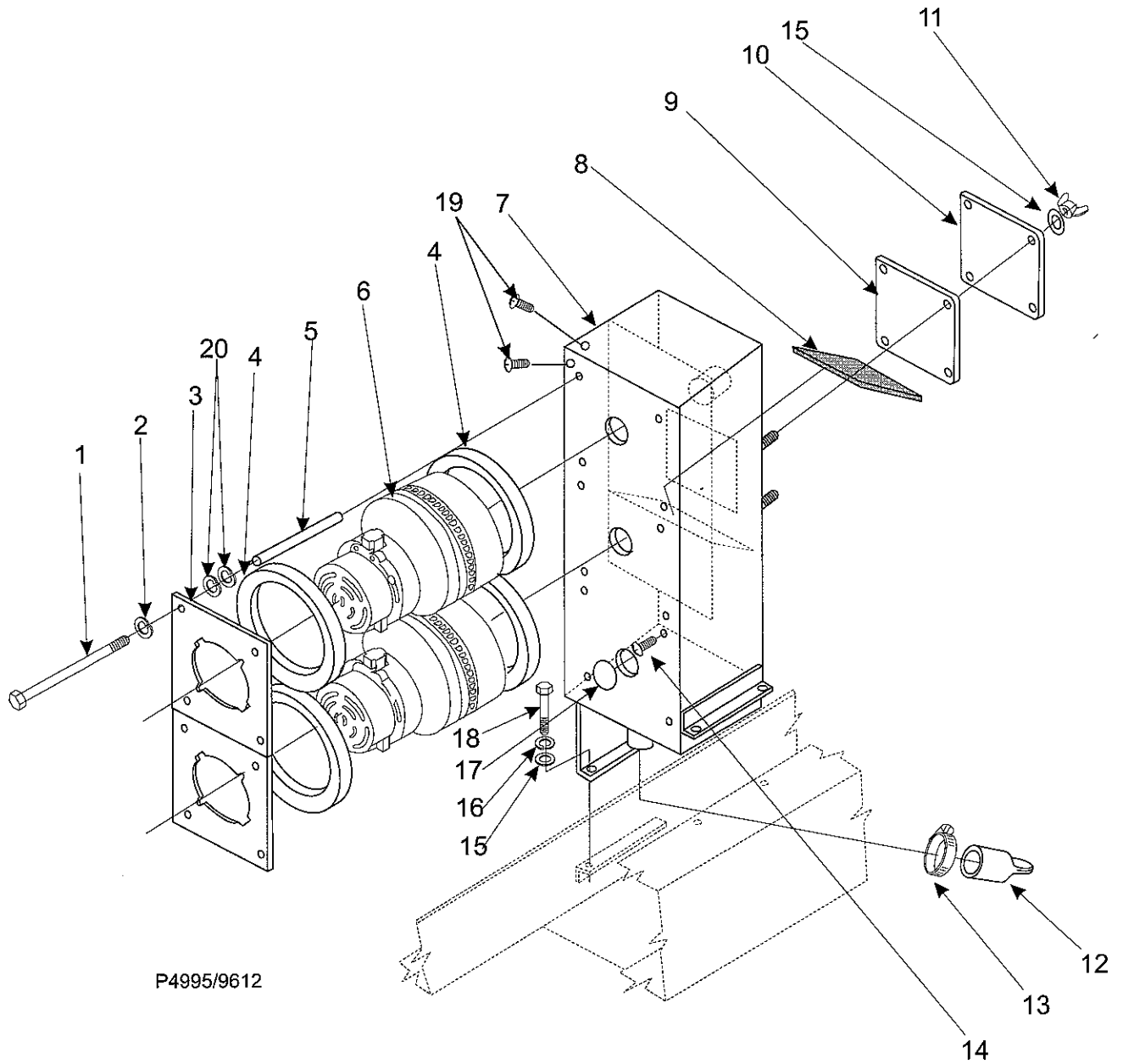


## VACUUM ASSEMBLY - PARTS LIST

<u>KEY NO.</u>	<u>PART NUMBER</u>	<u>DESCRIPTION</u>	<u>QTY</u>
1	2-00-02933	Screw, #10-24 x 3.500 RHM	8
2	2-00-00519	Lock Washer, Helical Spring #10 Med	8
3	7-58-05213	Vacuum Motor Mounting Plate	2
4	2-22-00003	Motor Mounting Ring	4
5	7-75-01098	Spacer, .312 x .257 x 2.750	8
6	0782-104	Electric Motor and Fan, 2 Stage/36 VDC	2
7	7-48-00023	Vacuum Fan Manifold	1
8	7-24-04033	Vacuum Manifold Filter	1
9	7-29-00166	Vacuum Manifold Cover Gasket	1
10	7-16-07287	Vacuum Manifold Cover	1
11	2-00-00672	Wing Nut, 1/4-20	4
12	8-88-00016	Vacuum Valve	1
13	2-00-02220	Hose Clamp, .812 - 1.500	1
14	2-00-00049	Screw, #10-24 x .500 RHM	4
15	2-00-00407	Flat Washer, .562 x .265 x .062	4
16	2-00-00518	Lock Washer, Helical Spring 1/4 Med	4
17	2-00-04431	Plug Button, 2.000	1
18	2-00-00221	Screw, 1/4-20 x .750 HHC	4
19	2-00-00407	Washer, Flat 9/16 I.D.	4

P-4995

# VACUUM ASSEMBLY - EXPLODED VIEW



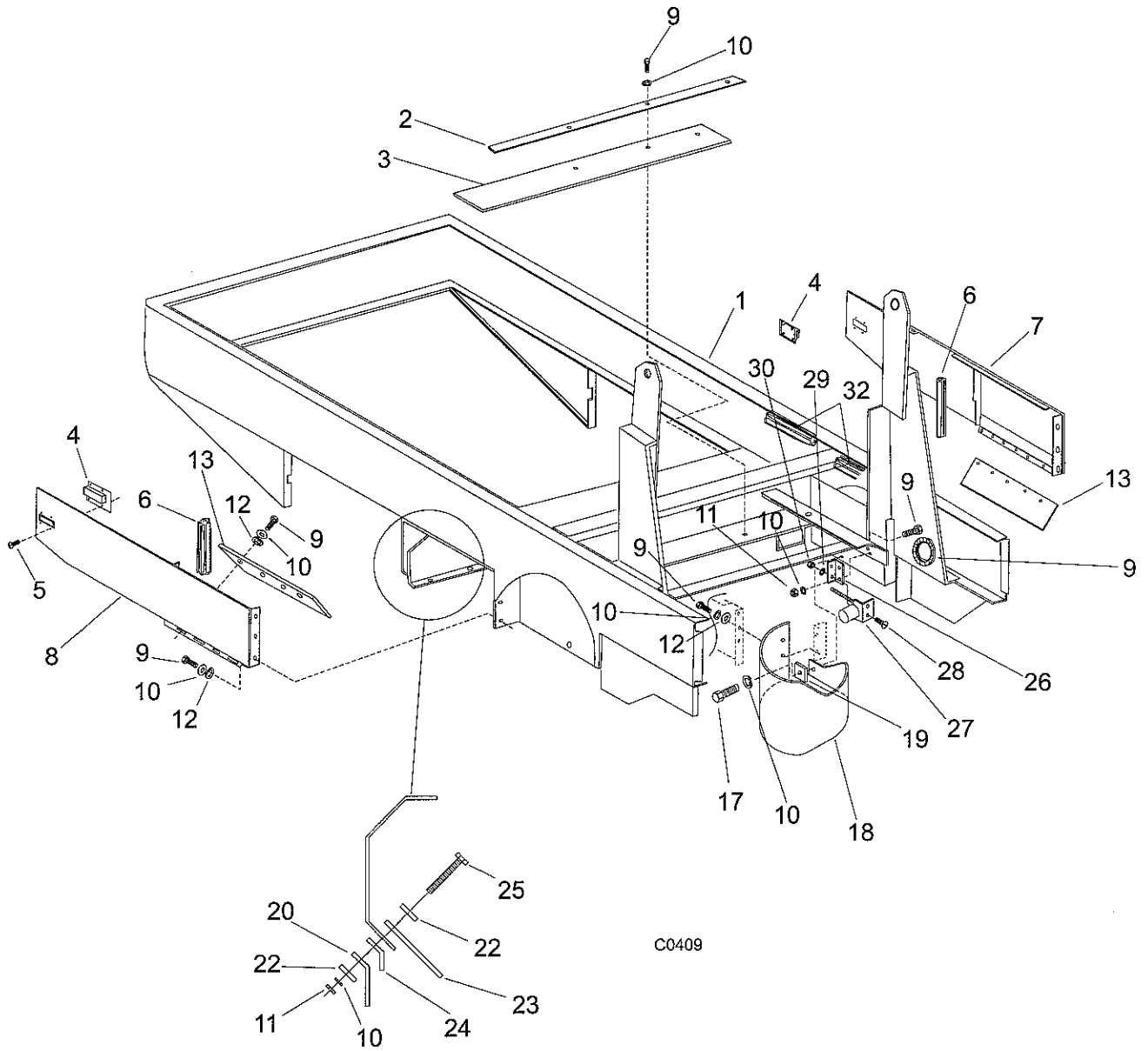
P4995/9612

## FRAME DOORS & FLAPS - PARTS LIST

<u>KEY NO.</u>	<u>PART NUMBER</u>	<u>DESCRIPTION</u>	<u>QTY</u>
1	7-27-07162	Weldment - Frame	1
2	7-79-00073	Strap - Clamp - HPR Seal	1
3	7-25-08058	Flap - Hopper Seal	1
4	8-41-00032	Latch - Broom Doors	2
5	2-00-01081	Screw - 8-32 x .50 T/C RHD	8
6	7-29-00217	Seal - Broom Doors	2
7	7-19-08043	Broom Door L.H.	1
8	7-19-08044	Broom Door R.H.	1
9	2-00-00220	Screw - 1/4-20 x .75 HHC	24
10	2-00-00518	Washer - Lock - 1/4 ID HEL	34
11	2-00-00594	Nut - 1/4-20 HEX	18
12	2-00-00407	Washer - Flat - 1/4 ID	21
13	7-25-08055	Flap - Broom Door	2
14			
15			
16	2-00-00530	Washer - Lock - 5/16 HEL	1
17	2-00-00208	Screw - 5/16-18 x .75 HHC	1
18	7-25-08053	Flap - Wheel Well	2
19	7-13-07142	Clamp - Flap - Whl. Well	2
20	7-25-08056	Flap - Rear - Brm Chamber	1
21			
22	7-79-00062	Strap - Clamp	2
23	7-25-08037	Flap - Boot - Brm Chamber	1
24	7-79-00074	Strap - Backing	1
25	2-00-00203	Screw - 1/4-20 x 1.50 HHC	8
26	7-08-00781	Bracket - Switch	1
27	8-82-00051	Switch - N.O.	1
28	2-00-03061	Screw - 10-24 x .50 THM	2
29	2-00-00519	Washer - Lock #10	2
30	2-00-00605	Nut - 10-24 HEX	2
31	3-73-02015	Edging (Bulk)	2'
32	7-21-04035	Edging	2

C0409

# FRAME DOORS & FLAPS - EXPLODED VIEW



## SIDE & TOP COVERS - PARTS LIST

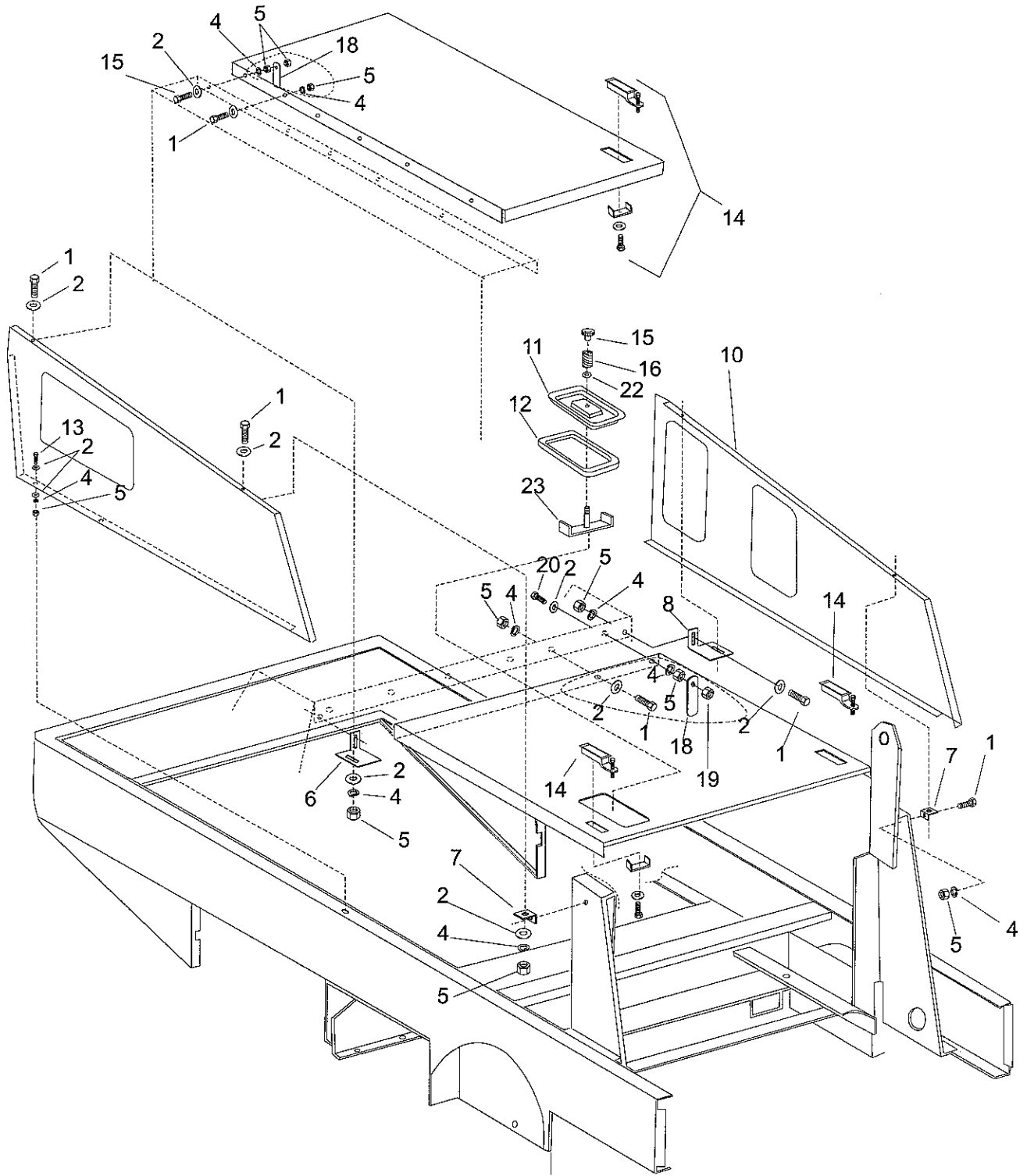
<u>KEY NO.</u>	<u>PART NUMBER</u>	<u>DESCRIPTION</u>	<u>QTY</u>
1	2-00-00221	Screw - 1/4-20 x .75 HHC	19
2	2-00-00407	Washer - Flat 1/4 ID	36
3 *	7-52-00129	Side Panel - R.H.	1
3 **	7-52-00128	Side Panel - R.H.	1
4	2-00-00518	Washer - Lock - 1/4 ID HEL	28
5	2-00-00594	Nut - 1/4-20 HEX	28
6	7-08-00772	Panel Brkt - Rear R.H.	1
7	7-08-00774	Panel Brkt - Front L. & R.	2
8	7-08-00773	Panel Brkt - Rear L.H.	1
9	7-16-07364	Cover - Eng & Sol Tank	1
10 *	7-52-00130	Side Panel - L.H.	1
10 **	7-52-00131	Side Panel - L.H.	
11	7-76-07330	Cover	1
12	7-29-00188	Cover Gasket	1
13	2-00-00205	Screw - 1/4-20 x 1.00 HHC	6
14	8-41-00044	Latch	3
15	7-39-00006	Knob	1
16	7-16-00112	Spring - Compression	1
17	7-16-07292	Recovery Lid Cover	1
18	7-03-04114	Lid Arm	3
19	2-00-00641	Nut - 1/4-20 HEX Fibre Lock	3
20	2-00-02587	Screw - 1/4-20 x 1.25 HHC	3
21	7-29-00046	Gasket	1
22	2-00-00409	Washer - Flat - 5/16 ID	1
23	7-13-07146	Clamp - Lid	1

\* 6700 H.I.C. Only

\*\* 6700 B.E.H. Only

C0412

# SIDE & TOP COVERS - EXPLODED VIEW

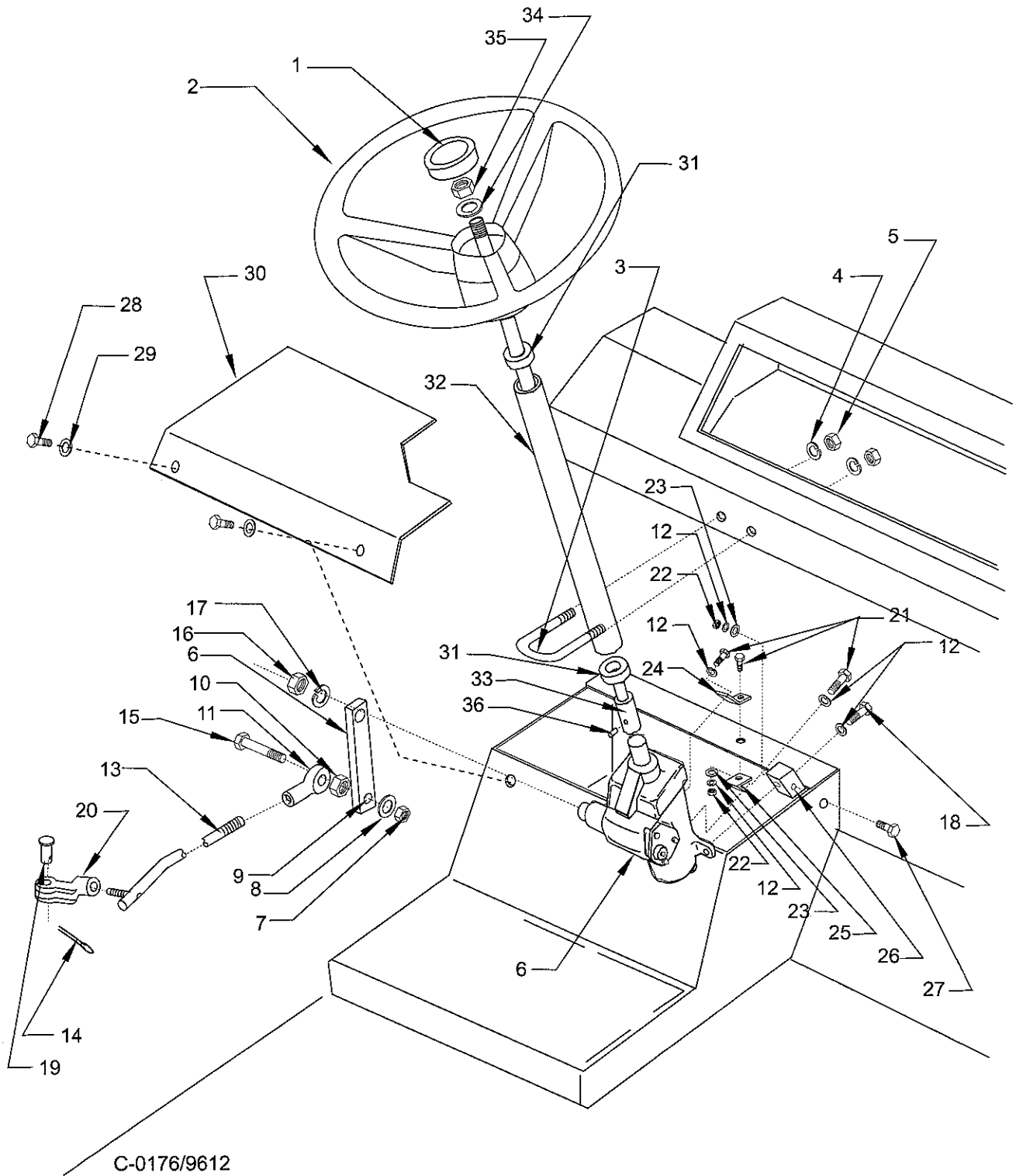


## STEERING ASSEMBLY - PARTS LIST

<u>KEY NO.</u>	<u>PART NUMBER</u>	<u>DESCRIPTION</u>	<u>QTY</u>
1	8-11-00022	Steering Wheel Cap	1
2	8-89-08016	Steering Wheel	1
3	8-13-07003	Steering Column Clamp	1
4	2-00-00518	Lock Washer, Helical Spring, 1/4 Med.	6
5	2-00-00594	Nut, Hex 1/4-20 x .437 x .218	2
6	0885-084	Steering Gearbox	1
7	2-00-04936	Nut, Hex Fiber Insert 1/2-13	1
8	2-00-00405	Flat Washer, 1.062 x .531 x .093	1
9	7-03-04139	Steering Arm	1
10	2-00-01672	Nut, Hex Jam 5/8-11 x .937 x .375	1
11	8-66-00144	Rod End	1
12	2-00-02311	Lock Washer, Helical Spring 7-16 I.D.	5
13	7-66-00164	Rear Steering Rod	1
14	2-00-00773	Cotter Pin, .062 x 1.000	1
15	2-00-02682	Screw, 1/2-13 x 2.750 HHC	1
16	2-00-00590	Nut, Hex 5/8-13 x .937 x .546	1
17	2-00-02313	Lock Washer, Helical Spring 5/8 Med	1
18	2-00-05278	Screw, 7/16-14 x 2.250 HHC	1
19	7-55-08125	Yoke Assembly Pin (Includes # 14)	1
20	7-14-01019	Rear Wheel Clevis	1
21	2-00-00238	Screw 7/16-14 x 1.25 HHC	3
22	2-00-00620	Nut 7/16-14 Hex	2
23	2-00-00428	Washer Flat 7/16	3
24	8-08-00794	Bracket, Top	1
25	8-08-00795	Bracket, Center	1
26	8-08-00812	Bracket, Lower	1
27	2-00-02610	Screw, 7/16-14x 2.00 HHC	1
28	2-00-03940	Screw #10 x.50 THC	3
29	2-00-00426	Washer Flat #10	3
30	7-16-07376	Cover Steering Gear	1
31	8-06-01084	Bearing (Plastic)	2
32	8-87-02114	Tube Steering	1
33	8-70-05295	Steering Shaft	1
34	2-00-00420	Washer Flat 1.00 O.D. x .516 I.D.	1
35	2-00-00591	Nut 1/2-20 Hex	1
36	2-00-03930	Roll Pin .313 x 1.50	1

C-0176

# STEERING ASSEMBLY - EXPLODED VIEW



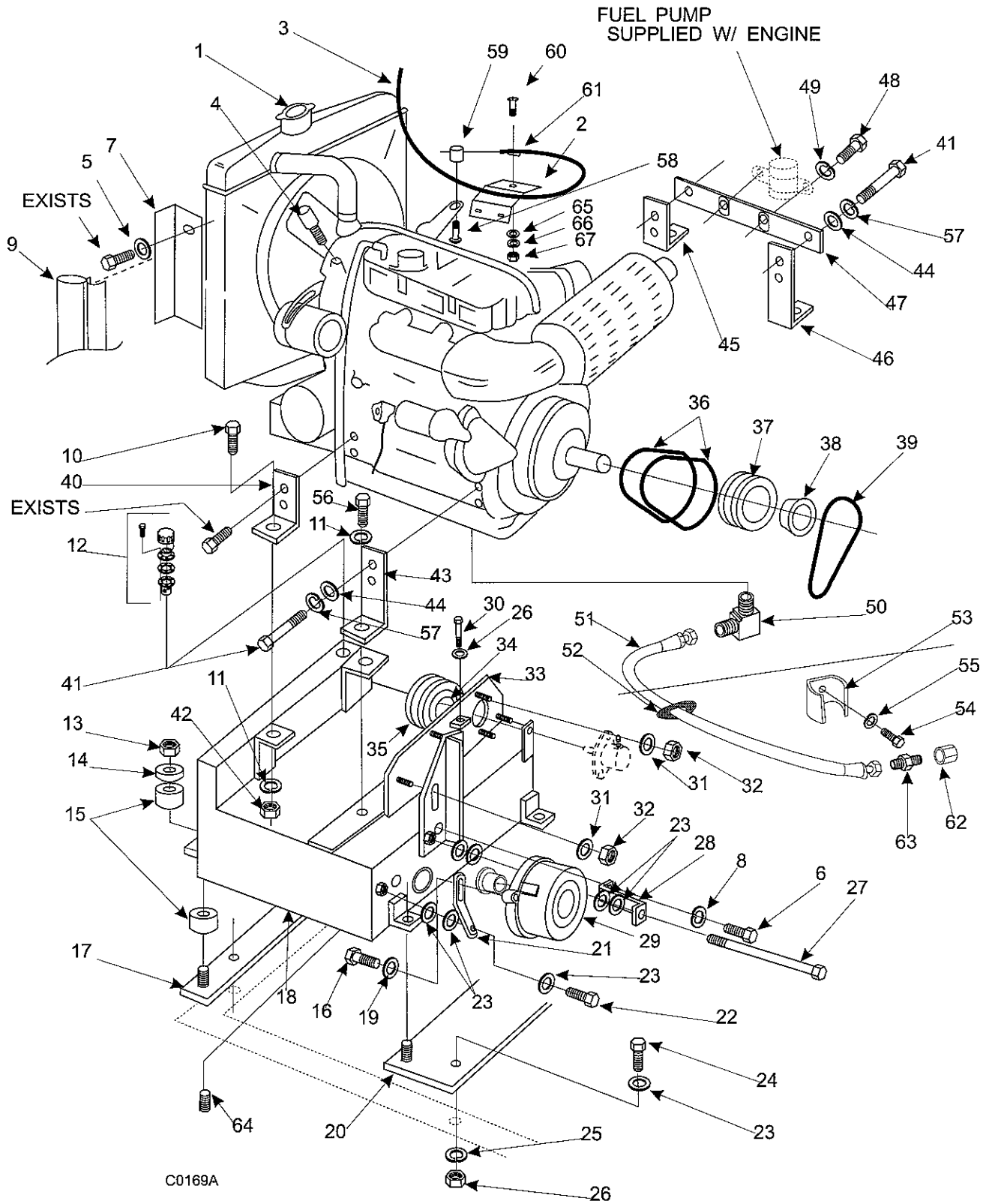
C-0176/9612

## ENGINE (DIESEL) - PARTS LIST

<u>KEY NO.</u>	<u>PART NUMBER</u>	<u>DESCRIPTION</u>	<u>QTY</u>
1	0777-033	Kubota Engine D-722b-1	1
2	7-08-00763	Bracket -throttle Mount	1
3	7-16-00018	Cable, Throttle Control	1
4	7-82-00031	Switch, Water Temperature	1
5	2-00-00446	Flat Washer .625 X.203 X.031	4
6	2-00-00221	Screw, 1/4-20 X .750 HHC	3
7	7-72-00009	Shroud Radiator	2
8	2-00-00518	Lock Washer, H.S.. Med.	3
9	7-29-00216	Gasket, Shroud	1
10	2-00-00240	Screw, 1/2-13 X 1.250 HHC	2
11	2-00-02312	Lock Washer H.S.. Med	2
12	7-11-00036	Filler Breather	1
13	2-00-00643	Nut, 3/8-16 Hex Fiber Lock	4
14	2-00-04851	Washer	4
15	8-75-01155	Isolation Mount	4
16	2-00-02708	Screw, 5/16-18 X 1.000	1
17	7-81-00163	Outboard Mounting Support	1
18	7-83-04143	Reservoir	1
19	2-00-00409	Flat Washer .687 X .343 X .062	3
20	7-81-00164	Inboard Mounting Support	1
21	7-08-00757	Alternator Adjustment Bracket	1
22	2-00-00232	Screw, 3/8-16 X .750 HHC	1
23	2-00-00402	Flat Washer .750 X .390 X .093	11
24	2-00-00209	Screw, 3/8-16 X 1.25 HHC	5
25	2-00-02310	Lock Washer, 3/8	4
26	2-00-02360	Nut, 3/8-16 Hex	5
27	2-00-00237	Screw, 3/8-16 X 3.000 HHC	1
28	7-08-00665	Alternator Bracket	1
29	7-03-03008	Alternator And Pulley	1
30	2-00-04314	Screw 3/8 -16 X1.50 HSHC	1
31	2-00-00402	Flat Washer .750 X .390 X .093	3
32	2-00-00643	Nut, 3/8-16 Hex Fiber Lock	3
33	7-58-05249	Pump Mounting Plate	1
34	7-09-01127	Bushing,taper Lock 7/8 Spline	1
35	7-60-00151	Sheave, 2 Groove, 3 V, 6.50 OD	1
36	2-00-02084	Belt, 3v315	2
37	7-60-00165	Sheave, 3 Groove, 3v 3.35 OD	1
38	7-09-01128	Bush.,taper Lock, 1.13 Bore	1
39	2-00-05200	Belt, 3I230	1
40	7-81-00168	Left Hand Front Engine Support	1
41	2-00-04946	Screw, M10 X 1.25 HHC X .25	4
42	2-00-04936	Nut, Hex Fiber 1/2-13	2
43	7-81-00170	Left Hand Rear Engine Support	1
44	2-00-00456	Flat Washer, .812 X .406 X .062	4
45	7-81-00169	Right Hand Front Engine Support	1
46	7-81-00171	Right Hand Rear Engine Support	1
47	7-79-00070	Coil Mounting Strap	1
48	2-00-00224	Screw, 5/16-18 X .500 HHC	2
49	2-00-00530	Lock Washer, Helical Spring 5/16	3
50	2-00-04595	Elbow, 90° 16-18 JIC x 9/16-18 SAE "O" Ring	1
51	8-33-02046	Hose, 9/16-18 JIC Ends x 1/4 I.D. x 130.000	1
52	2-00-04785	Grommet	1
53	8-13-07086	Clamp	1
54	2-00-03059	Screw, # 10-24 x .375 THM	1
55	2-00-00519	Lock Washer, # 10 Helical Spring Med	1
56	2-00-00239	Screw, 1/2-13 x 1.000 HHC	2
57	2-00-02311	Lock Washer, Helical Spring 7/16 Med	4
58	2-00-00249	Screw, 8-32 x .375 HHM	1
59	7-57-05018	Swivel, Wire	1
60	2-00-04794	Screw, 10-24 x .625 BHS	1
61	2-00-05106	Cable Clamp	1
62	7-11-00011	Cap, 1/4 NPT	1
63	2-00-04499	Connector, 1/4 NPT x 9/16-18 JIC	1
64	2-00-02475	Pipe Plug, 3/4 NPT	1
65	2-00-00426	Flat Washer, .500 x .218 x .062	1
66	2-00-00512	Lock Washer, # 10 Int.	1
67	2-00-01246	Nut, # 10-24 Hex Fiber Lock	1

C169A

# ENGINE (DIESEL) - EXPLODED VIEW



## ENGINE (GAS) - PARTS LIST

<u>KEY NO.</u>	<u>PART NUMBER</u>	<u>DESCRIPTION</u>	<u>QTY</u>
1	0777-0032	Kubota Engine WG750B-1	1
2	7-16-00017	Cable Throttle	1
3	7-16-00016	Choke	1
4	7-82-00031	Switch, Water Temperature	1
5	2-00-00446	Flat Washer .625 X.203 X.031	4
6	2-00-00221	Screw, 1/4-20 X .750 HHC	3
7	7-72-00009	Shroud Radiator	2
8	2-00-00518	Lock Washer, H.S. Med.	3
9	7-29-00216	Gasket, Shroud	1
10	2-00-00240	Screw, 1/2-13 X 1.250 HHC	2
11	2-00-02312	Lock Washer H.S. Med	2
12	7-11-00036	Filler Breather	1
13	2-00-00643	Nut, 3/8-16 Hex Fiber Lock	4
14	2-00-04851	Washer	4
15	8-75-01155	Isolation Mount	4
16	2-00-02708	Screw, 5/16-18 X 1.000	1
17	7-81-00163	Outboard Mounting Support	1
18	7-83-04143	Reservoir	1
19	2-00-00409	Flat Washer .687 X .343 X .062	3
20	7-81-00164	Inboard Mounting Support	1
21	7-08-00757	Alternator Adjustment Bracket	1
22	2-00-00232	Screw, 3/8-16 X .750 HHC	1
23	2-00-00402	Flat Washer .750 X .390 X .093	11
24	2-00-00209	Screw, 3/8-16 X 1.25 HHC	5
25	2-00-02310	Lock Washer, 3/8	4
26	2-00-02360	Nut, 3/8-16 Hex	5
27	2-00-00237	Screw, 3/8-16 X 3.000 HHC	1
28	7-08-00665	Alternator Bracket	1
29	7-03-03008	Alternator And Pulley	1
30	2-00-04314	Screw 3/8 -16 X1.50 HSHC	1
31	2-00-00402	Flat Washer .750 X .390 X .093	3
32	2-00-00643	Nut, 3/8-16 Hex Fiber Lock	3
33	7-58-05249	Pump Mounting Plate	1
34	7-09-01127	Bushing,taper Lock 7/8 Spline	1
35	7-60-00151	Sheave, 2 Groove, 3 V, 6.50 OD	1
36	2-00-02084	Belt, 3v315	2
37	7-60-00165	Sheave, 3 Groove, 3v 3.35 OD	1
38	7-09-01128	Bush.,taper Lock, 1.13 Bore	1
39	2-00-05200	Belt, 3I230	1
40	7-81-00168	Left Hand Front Engine Support	1
41	2-00-04946	Screw, M10 X 1.25 HHC X .25	4
42	2-00-04936	Nut, Hex Fiber 1/2-13	2
43	7-81-00170	Left Hand Rear Engine Support	1
44	2-00-00456	Flat Washer, .812 X .406 X .062	4
45	7-81-00169	Right Hand Front Engine Support	1
46	7-81-00171	Right Hand Rear Engine Support	1
47	7-79-00070	Coil Mounting Strap	1
48	2-00-00224	Screw, 5/16-18 X .500 HHC	2
49	2-00-00530	Lock Washer, Helical Spring 5/16	3
50	2-00-04595	Elbow, 90° 9/16 - 18 JIC X 9/16 I-18 SAE "o" Ring 1	
51	8-33-02046	Hose, 9/16-18 JIC Ends x 1/4 I.D. x 130.000	1
52	2-00-04785	Grommet	1
53	8-13-07086	Clamp	1
54	2-00-03059	Screw, # 10-24 x .375 THM	1
55	2-00-00519	Lock Washer, # 10 Helical Spring Med	1
56	2-00-00239	Screw, 1/2-13 x 1.000 HHC	2
57	2-00-02311	Lock Washer, Helical Spring 7/16 Med	4
58	2-00-05060	Screw, 6-32 x 1.250 RHM	1
60	7-57-00455	Flat Washer, # 6	1
61	2-00-01499	Lock Washer, # 6 Med.	1
62	7-11-00011	Cap, 1/4 NPT	1
63	2-00-04499	Connector, 1/4 NPT x 9/16-18 JIC	1
64	2-00-02475	Pipe Plug, 3/4 NPT	1

C0169

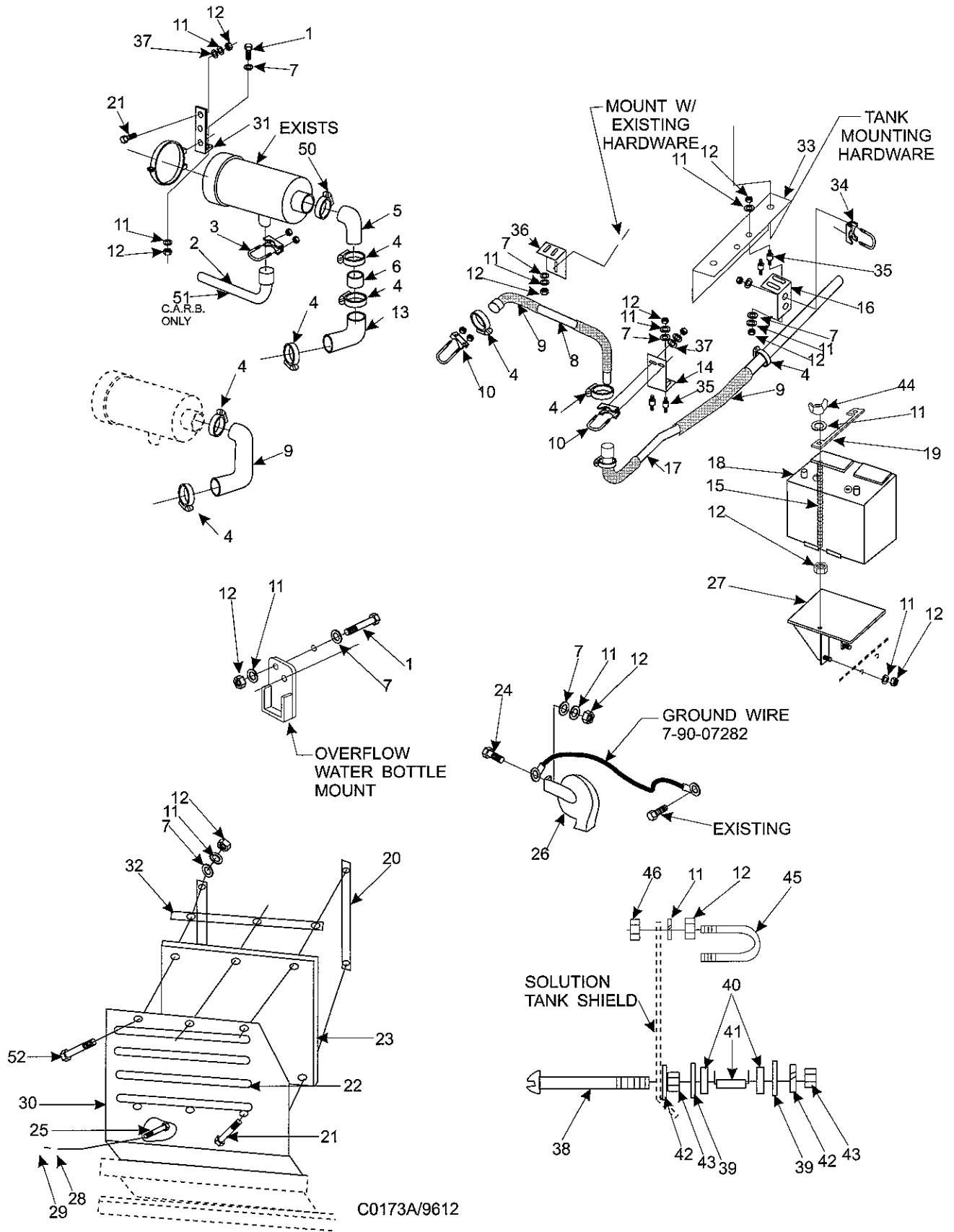


## ENGINE COMPONENTS (GAS/DIESEL) - PARTS LIST

<u>KEY NO.</u>	<u>PART NUMBER</u>	<u>DESCRIPTION</u>	<u>QTY</u>
1	2-00-00205	Screw, 1/4-20 x 1.00 HHC	3
2	7-87-02170	Tube, Air Inlet	1
3	2-00-05149	Muffler Clamp, 1 3/4	1
4	2-00-03404	Hose Clamp, 1.062 to 2.000	8
5	7-33-02275	Hose, Upper Air Cleaner (Gas Only)	1
6	7-87-02169	Connector, Air Cleaner Hoses(Gas Only)	1
7	2-00-00407	Flat Washer, .562 x .265 x .06	21
8	7-56-05020	Upper Exhaust Pipe	1
9	7-34-09015	Insulating Sleeve	2
10	2-00-04040	Muffler Clamp, 1.500	2
11	2-00-00518	Lock Washer, 1/4 Med	27
12	2-00-00594	Nut, Hex 1/4-20	28
13	7-33-02265	Hose, Air Cleaner Outlet (Gas Only)	1
14	7-08-00681	Exhaust Bracket	1
15	7-66-00157	Rod, Battery Tie Down	2
16	7-31-07021	Hanger	1
17	7-56-05021	Lower Exhaust Pipe	1
18	0875-008	Battery	1
19	7-08-00728	Bracket, Battery Hold Down	1
20	7-79-00069	Side Insulation Mounting Strap	2
21	2-00-00183	Screw, 1/4-20 x .75 THM	7
22	7-29 00189	Spacer Gasket,	4
23	7-34-09022	Insulation	1
24	2-00-00051	Screw, 1/4-20 x .750 RHM	1
25	2-00-03564	Screw, 5/16-18 x 1.000	4
26	8-32-09013	Horn	1
27	7-83-04121	Battery Tray	1
28	2-00-00530	Lock Washer, Helical Spring 5/16 Med	4
29	2-00-00585	Nut, Hex 5/16-18	4
30	7-30-05073	Solution Tank Shield	1
31	7-08-00733	Bracket, Air Cleaner Support	1
32	7-79-00068	Insulation Mounting Strap	2
33	7-30-05076	Exhaust Pipe Guard	1
34	7-13-07076	Muffler Clamp, 1.38	1
35	8-50-05053	Spacer, SMB 006-0100-9	4
36	7-08-00680	Exhaust Pipe Bracket,	1
37	2-00-00409	Flat Washer, .685 x .34 x .06	3
38	2-00-05160	Screw, #6-32 x 3.000 RHM	1
39	2-00-00455	Flat Washer, #6	2
40	2-14-03197	Washer, Seat Valve Neoprene	2
41	0775-189	Resistor Assembly 3 OHMS	1
42	7-33-02299	Hose, Air Intake(Diesel Only)	1

C0173A

# ENGINE COMPONENTS (GAS/DIESEL) - EXPLODED VIEW

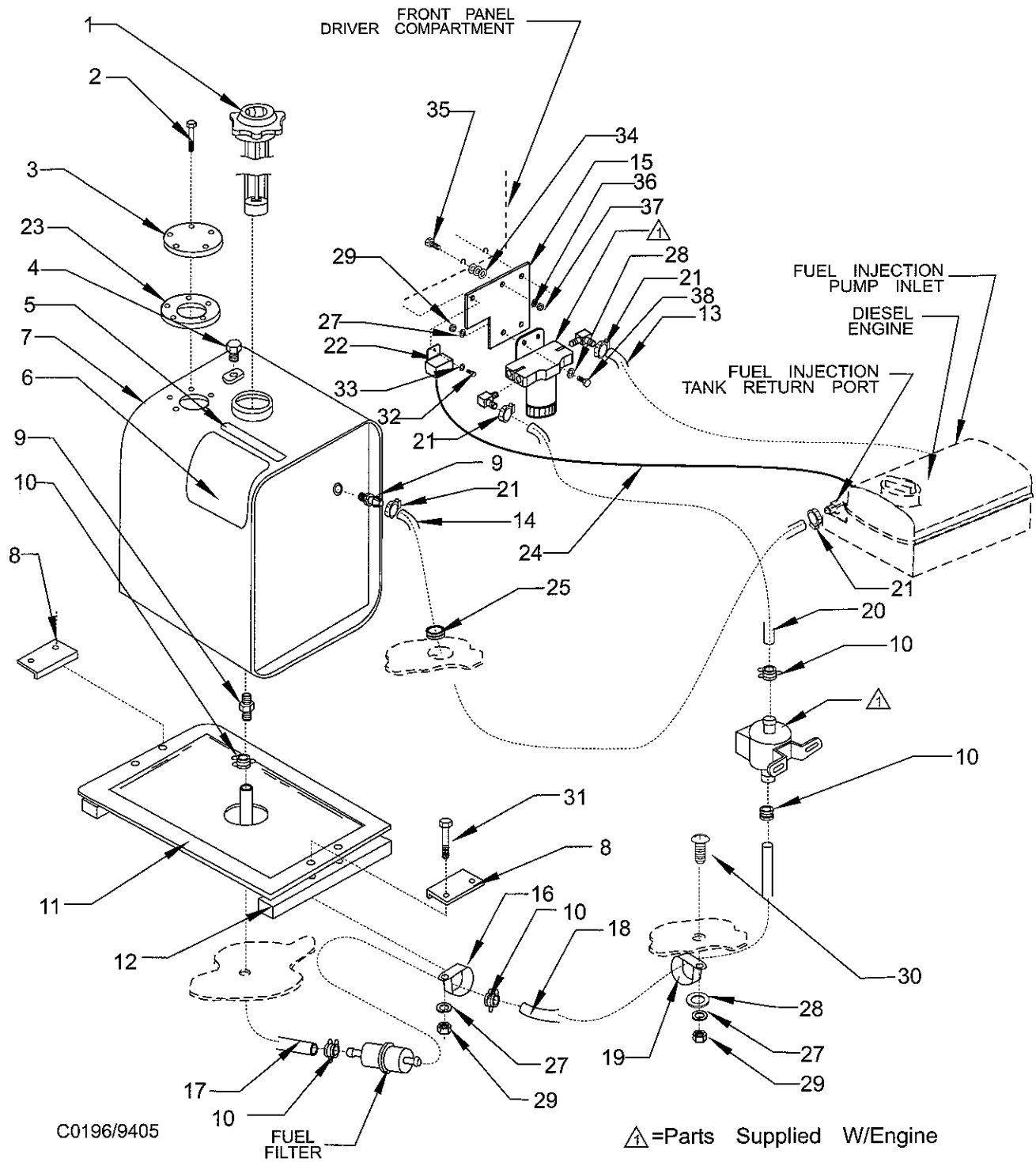


## FUEL TANK (DIESEL) - PARTS LIST

<u>KEY NO.</u>	<u>PART NUMBER</u>	<u>DESCRIPTION</u>	<u>QTY</u>
1	8-18-00028	Fuel Cap and Gauge	1
2	2-00-03940	Screw, # 10-24 x .500 T/C HH	5
3	8-16-07311	Cover	1
4	2-00-02476	Pipe Plug, 1/8 NPT	1
5	8-18-00311	Decal, Diesel Fuel	1
6	8-18-00085	Decal, Warning (Diesel)	1
7	7-83-04145	Fuel Tank	1
8	8-08-00496	Fuel Tank Bracket	2
9	2-00-04518	Hose, Barbed, Rigid Male Pipe 1/8 NPT	1
10	2-00-04850	Hose Clamp, .490	6
11	8-51-05010	Catch Basin	1
12	8-81-00133	Support	2
13	7-33-02303	Hose, Fuel Line to Filter to Engine	1
14	7-33-02304	Hose, Fuel Return, Injector to Tank	1
15	7-08-00762	Separator Bracket	1
16	2-00-05050	Hose Clamp	1
17	7-33-02261	Fuel Line Hose, Tank to Filter	1
18	7-33-02262	Fuel Line Hose, Filter to Pump	1
19	2-00-04602	Hose Clamp, .500	2
20	7-33-02302	Hose, Filter to Separator	1
21	2-95-04388	Hose Clamp, .625	5
22	8-64-00012	Relay	1
23	8-29-00131	Cover Gasket	1
24	7-90-07354	Wire, MI (87) to #1 Glow Plug	1
25	2-00-03878	Grommet	1
26	2-00-04345	Wire Tie	5
27	2-00-00518	Lock Washer, Helical Spring 1/4 Med.	6
28	2-00-00416	Flat Washer, .750 x .265 x .062	2
29	2-00-00594	Nut, Hex 1/4-20 x .437 x .218	6
30	2-00-00183	Screw, 1/4-20 x .750 THM	2
31	2-00-01769	Screw, 1/4-20 x 1.750 HHC	4
32	2-00-03061	Screw, THM BR ZC	1
33	2-00-00519	Lock Washer	1
34	2-00-00409	Flat Washer	6
35	2-00-00207	Screw, 5/16-18 x 1.250 HHC	2
36	2-00-00530	Lock Washer, Split	2
37	2-00-00585	Nut, Hex	2
38	2-00-00205	Screw, HHC	2

C0196A

# FUEL TANK (DIESEL) - EXPLODED VIEW

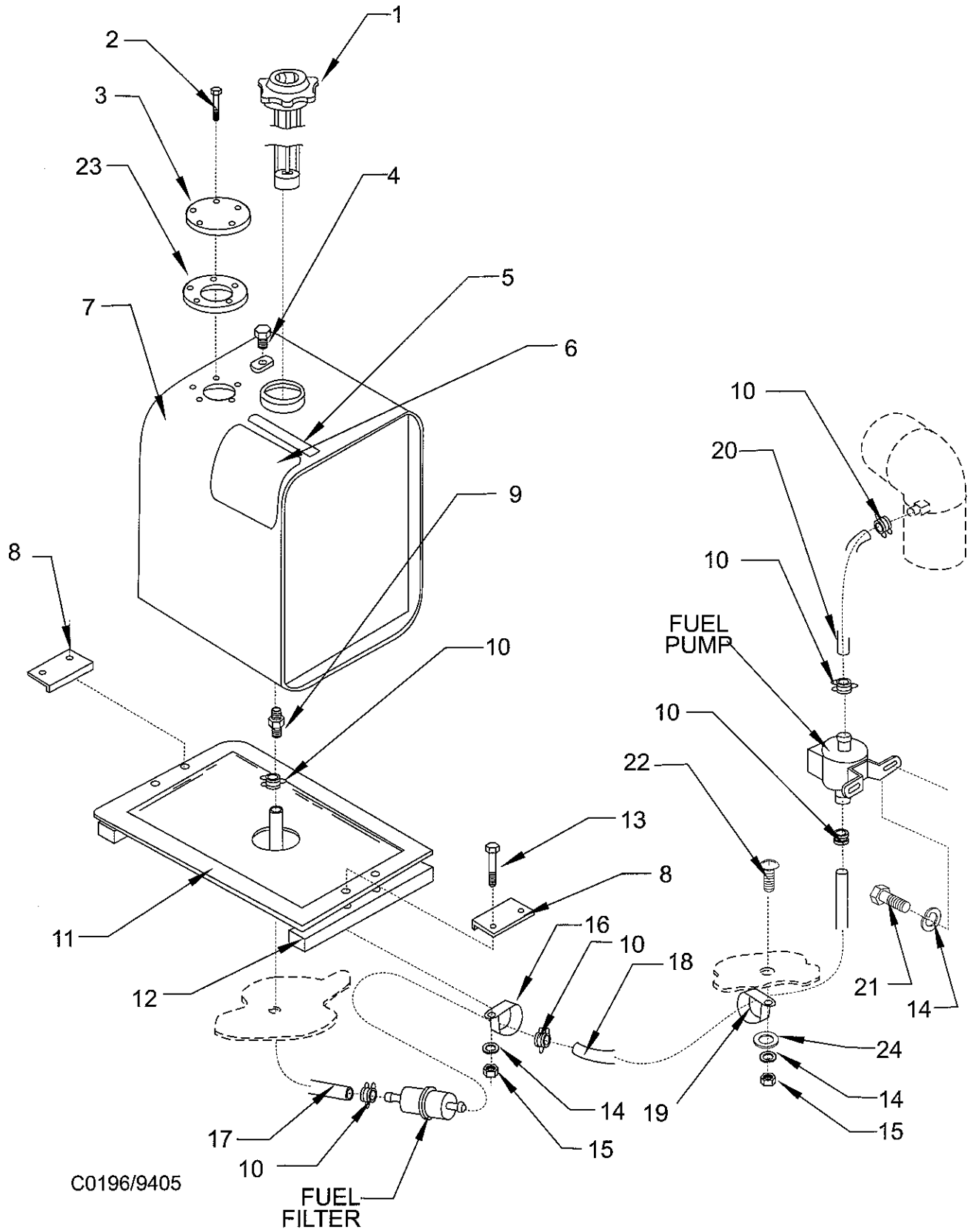


## FUEL TANK (GAS) - PARTS LIST

<u>KEY NO.</u>	<u>PART NUMBER</u>	<u>DESCRIPTION</u>	<u>QTY</u>
1	8-11-00028	Fuel Cap and Gauge	1
2	2-00-03940	Screw, # 10-24 x .500 T/C HH	5
3	8-16-07311	Cover	1
4	2-00-02476	Pipe Plug, 1/8 NPT	1
5	8-18-00310	Decal, Gasoline Fuel	1
6	8-18-00277	Decal, Warning (Gasoline)	1
7	8-33-04026	Fuel Tank	1
8	8-08-00496	Fuel Tank Bracket	2
9	2-00-04518	Hose, Barbed, Rigid Male Pipe 1/8 NPT	1
10	2-00-04850	Hose Clamp, .490	6
11	8-51-05010	Catch Basin	1
12	8-81-00133	Support	2
13	2-00-01769	Screw, 1/4-20 x 1.750 HHC	4
14	2-00-00518	Lock Washer, Helical Spring 1/4 Med.	6
15	2-00-00594	Nut, Hex 1/4-20 x .437 x .218	6
16	2-00-05050	Hose Clamp	1
17	7-33-02261	Fuel Line Hose, Tank to Filter	1
18	7-33-02262	Fuel Line Hose, Filter to Pump	1
19	2-00-04602	Hose Clamp, .500	2
20	7-33-02363	Fuel Line Hose, Pump to Carburetor	1
21	2-00-05148	Screw, 5 M x .750-16mm	2
22	2-00-00183	Screw, 1/4-20 x .750 THM	2
23	8-29-00131	Cover Gasket	1
24	2-00-00416	Flat Washer, .750 x .265 x .062	2

C0196

# FUEL TANK (GAS) - EXPLODED VIEW

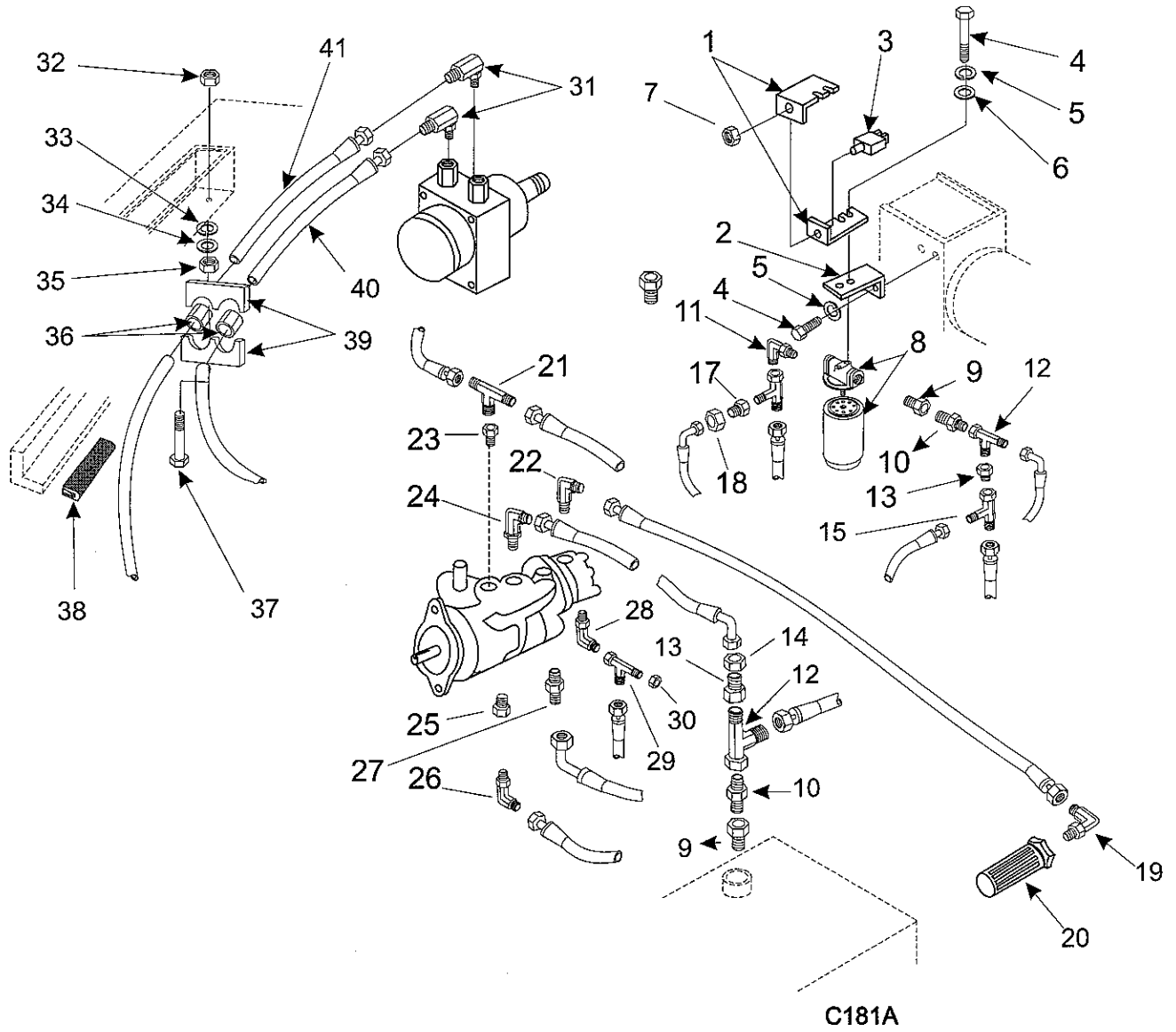


## HYDRAULIC PUMP & RESERVOIR (GAS/DIESEL) - PARTS LIST

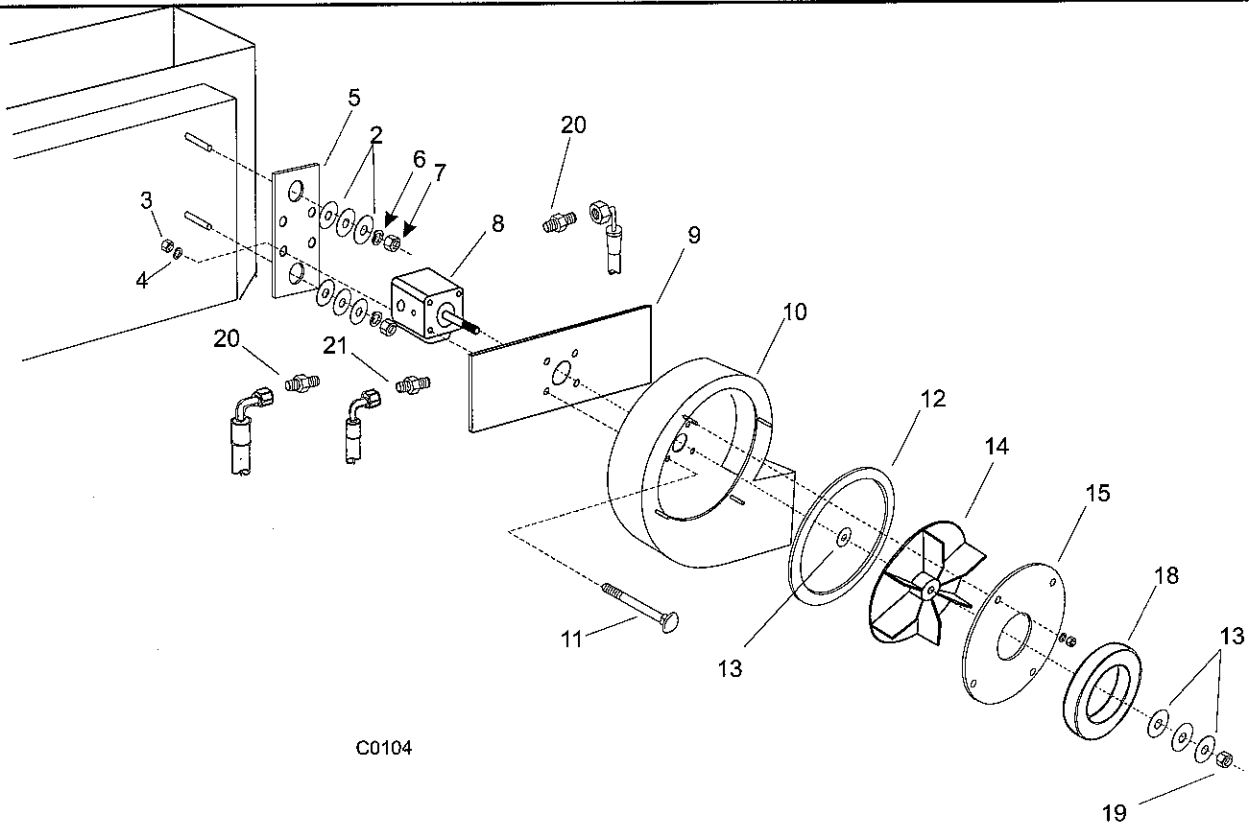
<u>KEY NO.</u>	<u>PART NUMBER</u>	<u>DESCRIPTION</u>	<u>QTY</u>
1	7-08-00475	Brkt - Circuit Breaker	2
2	8-08-00650	Brkt - Filter	1
3	7-28-00001	Circuit Breaker	1
4	2-00-00221	Screw - 1/4-20 x .75 HHC	4
5	2-00-00518	Washer - Lock 1/4 Hel	4
6	2-00-00416	Washer - Flat 1/4 I.D.	2
7	8-11-00044	Boot - Circuit Breaker	1
8	7-24-04014	Return Filter	1
9	2-00-04474	Reducer 3/4 NPT - 1/2 NPT	3
10	2-00-05203	Adapter - 1/2 NPT - #8 ORS	2
11	2-00-05204	Elbow 90° 1/2 NPT - #8 ORD	1
12	2-00-04928	Swivel Run Tee #8 ORS	2
13	2-00-04929	Reducer #8 ORS - #4 ORS	2
14	2-00-04939	Reducer Nut - #8 ORS	2
15	2-00-05162	Swivel Run Tee #4 ORS	1
16	2-00-04928	Swivel Run Tee #8 ORS	1
17	2-00-04929	Reducer #8 ORS - #4 ORS	1
18	2-00-04939	Reducer Nut #8 ORS	1
19	2-00-05037	Elbow 45° 3/4 NPT - #12 ORS	1
20	8-24-04115	Suction Strainer	1
21	2-00-04919	Branch Tee #4 ORS	1
22	2-00-04972	Elbow 90° #12 SAE - #12 ORS	1
23	2-00-04917	Reducer #6 SAE - #4 SAE	1
24	2-00-04922	Elbow 90 - #12 SAE - #8 ORS	1
25	2-00-04932	Reducer #8 SAE - #6 SAE	1
26	2-00-04926	Elbow 90° #6 SAE - #4 ORS	1
27	2-00-04979	Adapter #12 SAE - #8 ORS	1
28	2-00-04921	Elbow 90° #10 SAE - #8 ORS	1
29	2-00-04928	Swivel Run Tee #8 ORS	1
30	2-00-04957	Cap #8 ORS	1
31	2-00-04447	Elbow, 90° Male Swivel 3/4-16 to O-Ring	2
32	2-00-00644	Nut, Hex Fiber Insert 5/16 - 18	1
33	7-23-03048	Washer, Spring .750 x .312 x .013	1
34	2-00-00409	Washer, Flat .687 x .343 x .062	1
35	2-00-00586	Nut, Hex Jam 5/16-18 x .50 x .187	1
36	7-09-01121	Bushing, Split Hose 1.437x .813x 1.312	2
37	2-00-01770	Screw, 9/16-18 x 2.750 HHC	1
38	7-21-04031	Edging	1
39	7-13-07110	Clamp, Hose	1
40	7-33-02141	Hose, Hydraulic Swivel 3/4-16-1/2Dx183L	1
41	7-33-02101	Hose, Hydraulic Swivel 3/4-16-1/2Dx66L	1

C0181A

# HYDRAULIC PUMP & RESERVOIR (GAS/DIESEL) - EXPLODED VIEW



# IMPELLER

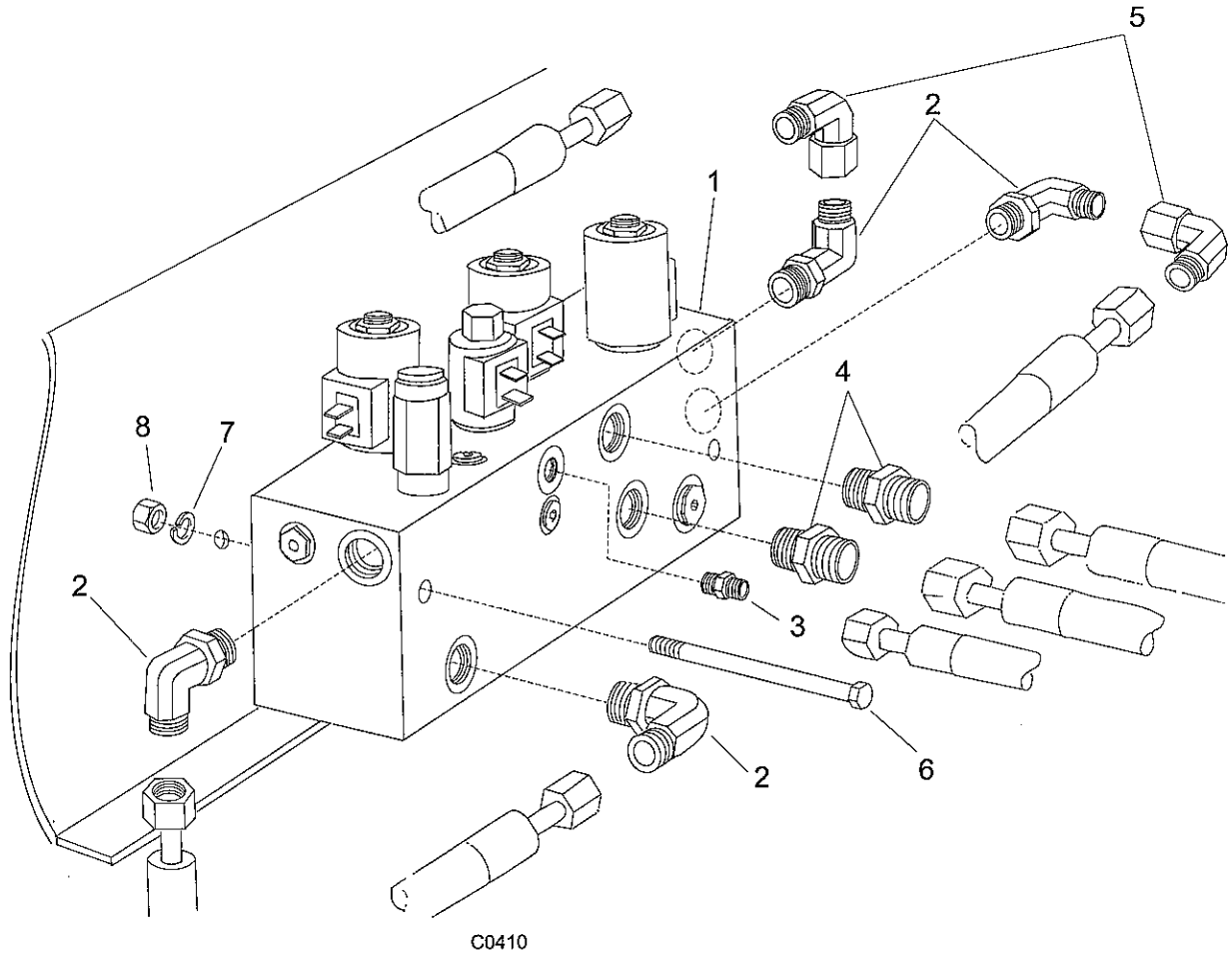


C0104

<u>KEY NO.</u>	<u>PART NUMBER</u>	<u>DESCRIPTION</u>	<u>QTY</u>
1	2-00-00598	Nut 1/2-13 HEX Jam B	2
2	2-95-04012	Washer 1/2 ID x 2.00 OD	8
3	2-00-00585	Nut 5/16-18 HEX	4
4	2-00-00530	Washer Lock 5/16-18 HEX	4
5	7-58-05255	Plate - Implr Mtr Mnt	1
6	2-00-02312	Washer - Lock 1/2 ID HEL	2
7	2-00-00596	Nut 1/2-13 HEX	2
8	0882-041	Impeller Motor	1
9	7-75-01087	Motor Spacer	1
10	8-30-05103	Impeller Shroud	1
11	2-00-02655	Bolt 5/16-18 x 4.50 CARR	4
12	8-29-00111	Gasket - Shroud Seat	1
13	2-00-00484	Washer - Flat .38 ID	4
14	8-23-00012	Impeller	1
15	8-30-05095-1	impeller Guard	1
16	2-00-00501	Washer Lock Int'l V4 ID	4
17	2-00-00594	Nut 1/4-20 HEX	4
18	8-29-00093	Implr to Hopper Seal	1
19	2-00-00632	Nut Lock 3/8-24 HEX	1
20	2-00-04970	Ftg - Str - #8 SAE - #8 ORS	2
21	2-00-04895	Ftg - Str - #4 SAE - #4 ORS	1

C0104

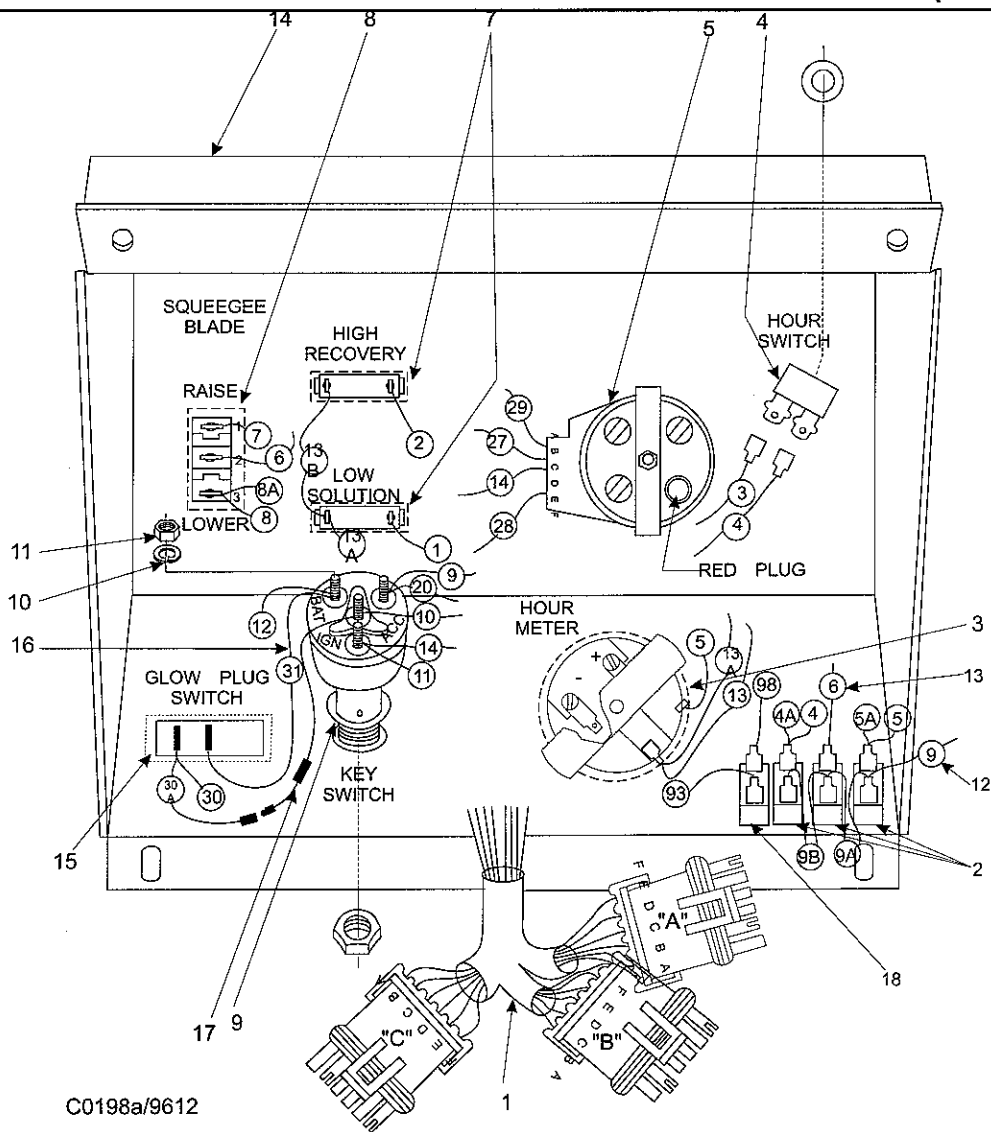
## COMBINATION VALVE & FITTINGS (GAS/DIESEL)



<u>KEY NO.</u>	<u>PART NUMBER</u>	<u>DESCRIPTION</u>	<u>QTY</u>
1	7-88-00059	Auxiliary Manifold	1
2	2-00-04885	Ftg - 90° EL - #8 SAE - #8 ORS	4
3	2-00-04895	Ftg - Adapter - #4 SAE - #4 ORS	1
4	2-00-04970	Ftg - Adapter - #8 SAE - #8 ORS	2
5	2-00-05046	Ftg - Swivel - 90° EL - #8 - ORS	2
6	2-00-03333	Screw - 3/8-16 x 3.75 HHC	2
7	2-00-02310	Washer - Lock 3/8 M. HEL	2
8	2-00-02360	Nut - 3/8-16 HEX	2

C0410

## INSTRUMENT PANEL (GAS/DIESEL)



<u>KEY NO.</u>	<u>PART NUMBER</u>	<u>DESCRIPTION</u>	<u>QTY</u>
1	0795-094	Instrument Panel Harness	1
2	8-64-00007	Circuit Breaker, 10 amp	3
3	8-48-05023	Hour Meter Gauge	1
4	8-82-00028	Switch	1
5	7-48-05026	Cluster Gauge	1
6			
7	7-48-05028	Light	1
8	7-82-00020	Switch, SPST (ON-ON)	1
9	8-82-00041	Key Switch	1
10	2-00-00519	Lock Washer, Helical Spring # 10 Med.	4
11	2-00-04694	Nut, Hex MS # 10-32 x .375 x .125	4
12	7-90-07285	Wire, K-SW(A) to CB-1, 2 & 3	1
13	7-90-07284	Wire, Squeegee SW #2 to CB-2	1
14	7-33-05103	Instrument Panel Housing	1

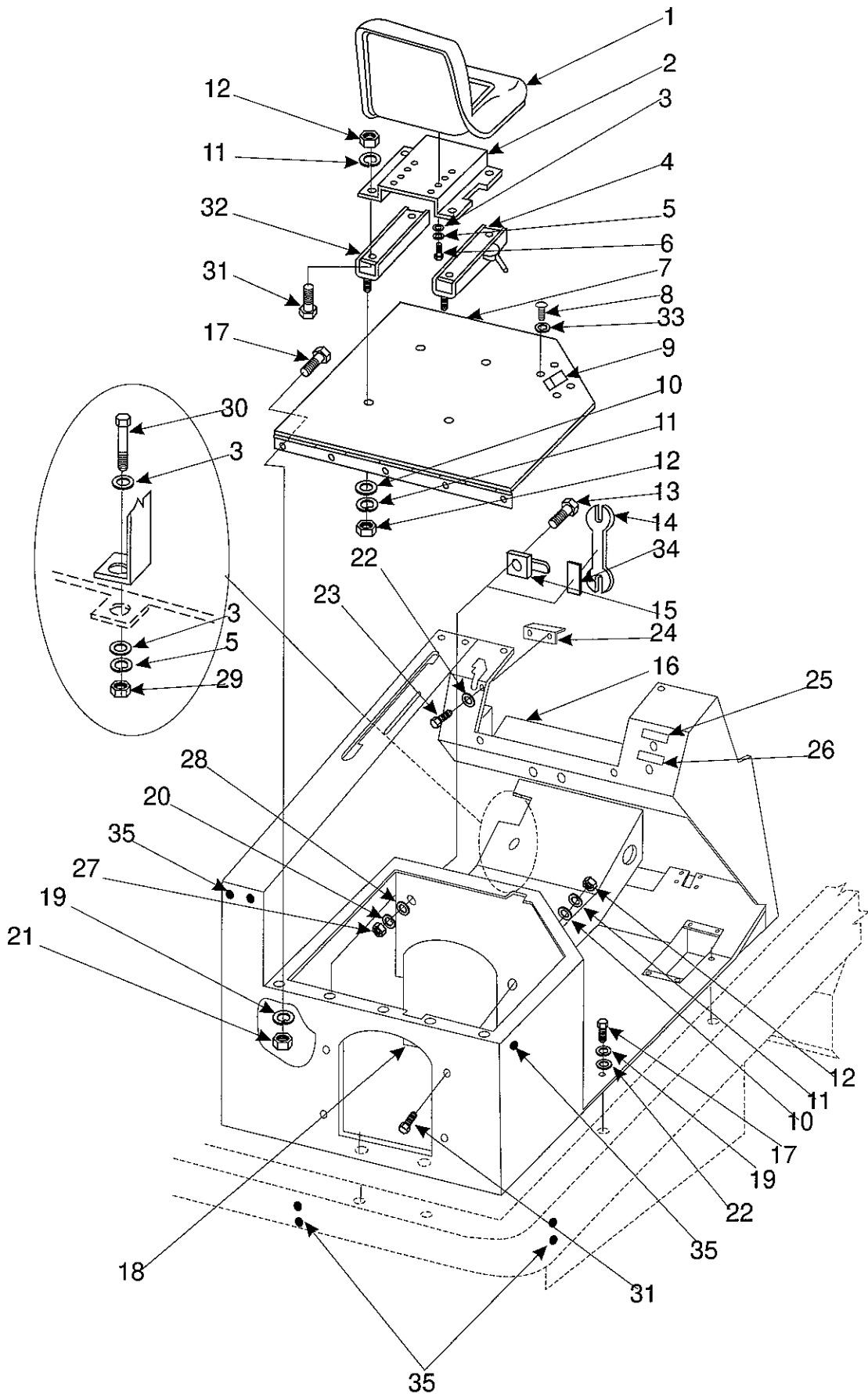
C0198A

## DRIVER COMPARTMENT (GAS/DIESEL) - PARTS LIST

<u>KEY NO.</u>	<u>PART NUMBER</u>	<u>DESCRIPTION</u>	<u>QTY</u>
1	8-69-00003	Driver's Seat	1
2	8-08-00672	Seat Bracket	1
3	2-00-00402	Flat Washer, .750 x .390 x .093	6
4	8-72-05003	Seat Adjuster Slide with Latch	1
5	2-00-02310	Lock Washer, Helical Spring 3/8 Med	5
6	2-00-00232	Screw, 3/8-16 x .750 HHC	4
7	7-16-07331	Seat Deck Lid	1
8	2-00-01081	Screw, #8-32 x .500 T/C RH	4
9	8-41-00032	Door Latch	1
10	2-00-00409	Flat Washer, .687 x .343 x .062	8
11	2-00-00530	Lock Washer, Helical Spring 5/16 Med	8
12	2-00-00585	Nut, Hex 5/16-18 x .500 x .265	8
13	2-00-03061	Screw, #10-24 x .500 THM	1
14	2-00-00686	Double End Wrench, 3/4 - 9/16	1
15	8-13-07068	Wrench Holder Clip	1
16	7-52-00105	Driver Compartment	1
17	2-00-00221	Screw, 1/4-20 x .750 HHC	9
18	7-16-07334	Cover Plate	1
19	2-00-00518	Lock Washer, Helical Spring 1/4 Med	9
20	2-00-00519	Lock Washer, Helical Spring #10 Med	1
21	2-00-00594	Nut, Hex 1/4-20 x .437 x .218	5
22	2-00-00407	Flat Washer, .562 x .265 x .062	6
23	2-00-04876	Screw, 1/4-20 x .500 BHS	2
24	7-08-00655	Bracket, Main Broom Stop	1
25	7-18-00133	Decal, Throttle	1
26	7-18-00132	Decal, Choke	1
27	2-00-00605	Nut, Hex MS #10-24 x .375 x .125	1
28	2-00-00426	Flat Washer, .500 x .218 x .062	1
29	2-00-02360	Nut, Hex 3/8-16 x .562 x .328	1
30	2-00-00233	Screw, 3/8-16 x 1.000 HHC	1
31	2-00-00208	Screw, 5/16-18 x .750 HHC	8
32	8-72-05002	Seat Adjuster Slide	1
33	2-00-00529	Lock Washer, Helical Spring #8 Med	4
34	7-29-00167	Gasket	1
35	2-00-04664	Button Plug, .500	7

C0170

# DRIVER COMPARTMENT (GAS/DIESEL) - EXPLODED VIEW



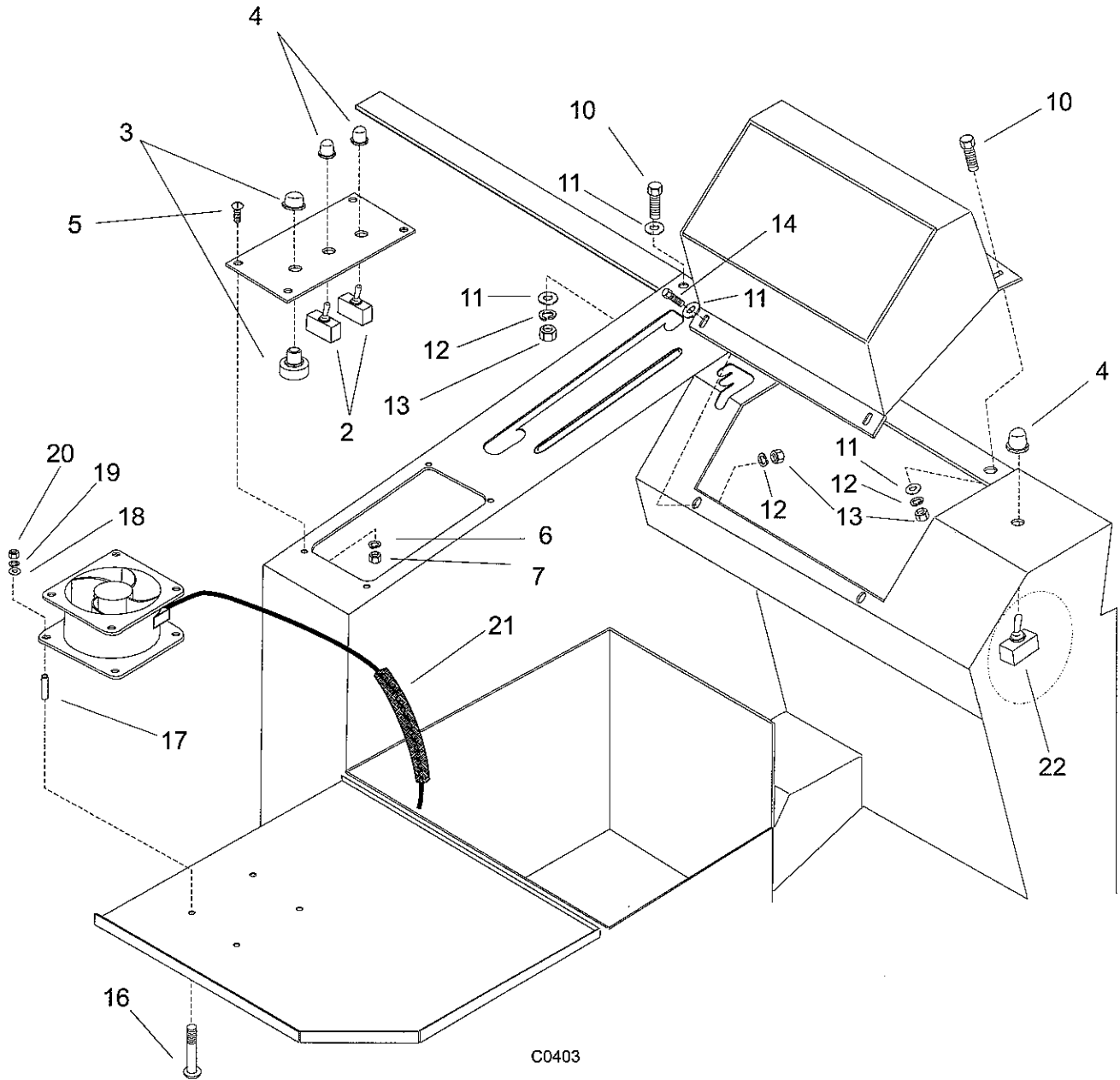
## OPERATOR COMPARTMENT ELECTRICAL - PARTS LIST

<u>KEY NO.</u>	<u>PART NUMBER</u>	<u>DESCRIPTION</u>	<u>QTY</u>
1	7-52-00133	Panel	1
2	8-82-00033	Switch - Toggle	2
3	8-82-00024	Switch - Push Button	1
4	2-74-00059	Boot - Toggle Switch	3
5	2-00-03061	Screw - 10-24 x .50 THM	4
6	2-00-00519	Washer - Lock #10 HEL	4
7	2-00-00605	Nut - 10-24 HEX	4
8	7-33-05103	Housing - Inst. Panel	1
9	7-08-00554	Lintel - Bridge Brkt	1
10	2-00-00205	Screw - 1/4-20 x 1.00 HHC	8
11	2-00-00407	Washer - Flat - 1/4 ID	14
12	2-00-00519	Washer - Lock - 1/4 HEL	8
13	2-00-00594	Nut - 1/4-20 HEX	8
14	2-00-00221	Screw - 1/4-20 x .75 HHC	2
* 15	0775-204	Fan Ass'y - 36 VDC	1
* 16	2-00-05063	Screw - 6-32 x 2.00 RHM	4
* 17	8-75-01116	Spacer	4
* 18	2-00-00455	Washer - Flat #6	4
* 19	2-00-01499	Washer - Lock #6	4
* 20	2-00-00624	Nut - 6-32 HEX	4
* 21	3-61-02014	Loom	12"
* 22	7-82-00036	Switch - DPDT, On-On	1

\* Used on Battery Powered Powered Machines Only

C0403

# OPERATOR COMPARTMENT ELECTRICAL - EXPLODED VIEW



C0403

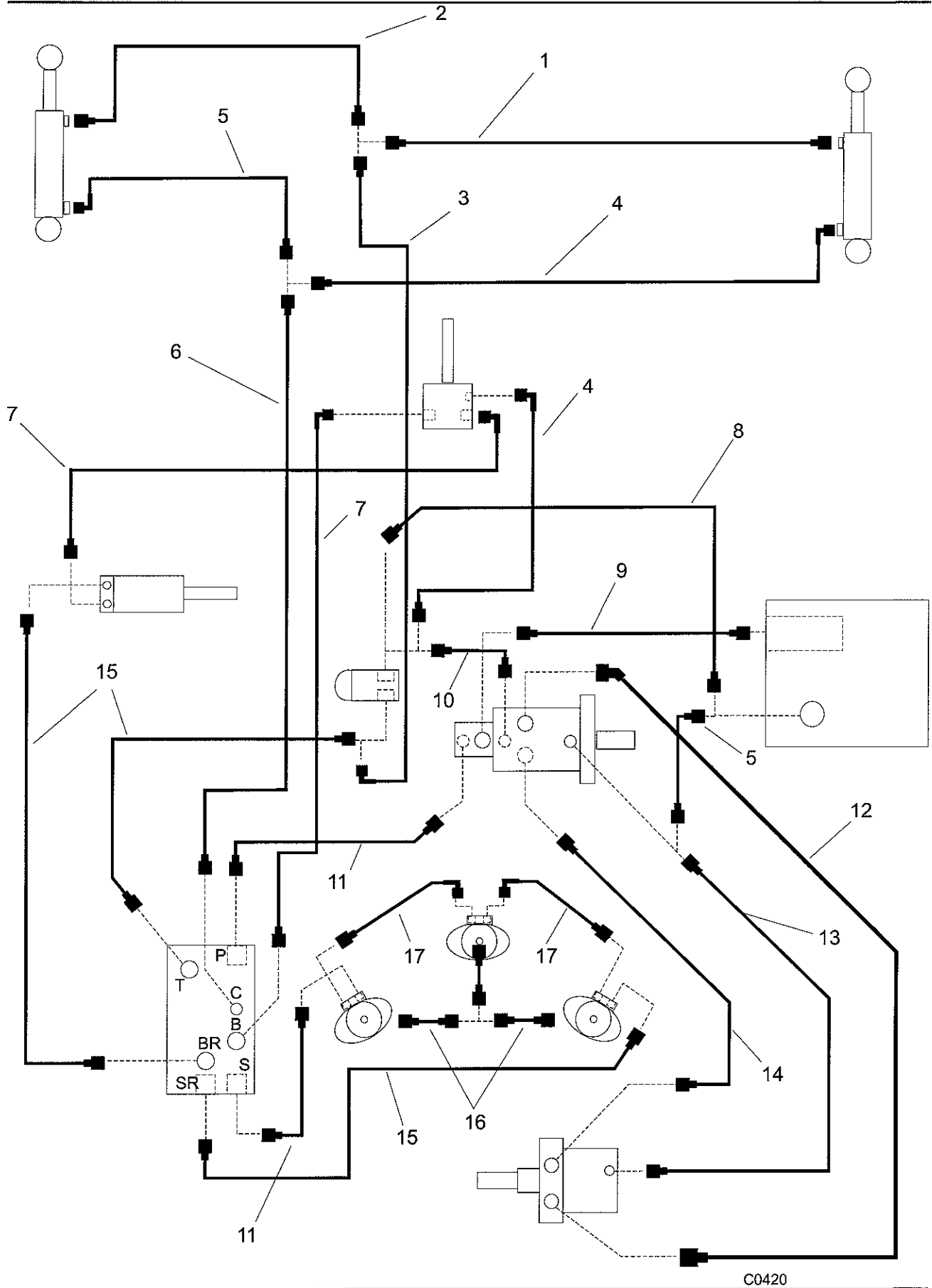
## HYDRAULIC HOSE DIAGRAM (GAS/DIESEL) - PARTS LIST

---

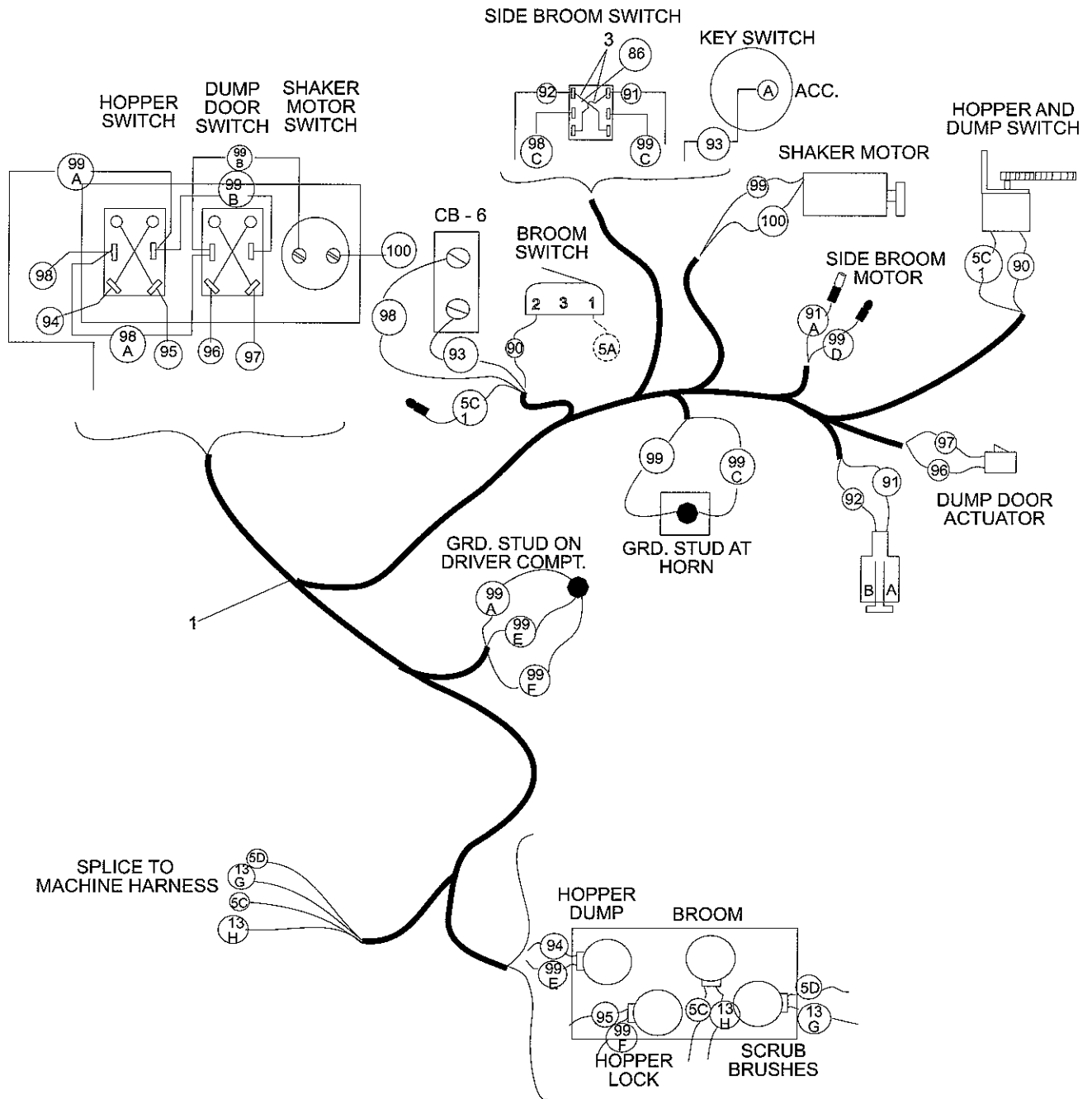
<u>KEY NO.</u>	<u>PART NUMBER</u>	<u>DESCRIPTION</u>	<u>QTY</u>
1	7-33-02188	Hose - #4 x 76.0" - 0 - 0 - ORS	1
2	7-33-02180	Hose - #4 x 37.0" - 0 - 0 - ORS	1
3	7-33-02225	Hose - #4 x 38.0" - 0 - 90 - ORS	1
4	7-33-02190	Hose - #4 x 67.0" - 0 - 90 - ORS	2
5	8-33-02176	Hose - #4 x 21.0" - 0 - 90 - ORS	2
6	8-33-02183	Hose - #4 x 49.0" - 0 - 0 - ORS	1
7	7-33-02192	Hose - #8 x 90.0" - 0 - 90 - ORS	2
8	7-33-02197	Hose - #8 x 52.5" - 0 - 45 - ORS	1
9	7-33-02217	Hose - #12 x 20.0" - 0 - 0 - ORS	1
10	7-33-02184	Hose - #4 x 25.5" - 0 - 0 - ORS	1
11	8-33-02214	Hose - #8 x 29.0" - 0 - 0 - ORS	2
12	7-33-02200	Hose - #8 x 77.0" - 0 - 45 - ORS	1
13	8-33-02187	Hose - #4 x 97.0" - 0 - 0 - ORS	1
14	8-33-02195	Hose - #8 x 69.5" - 0 - 0 - ORS	1
15	7-33-02187	Hose - #8 x 42.0" - 0 - 0 - ORS	3
16	8-33-02175	Hose - #4 x 21.0" - 0 - 0 - ORS	1
17	8-33-02202	Hose - #8 x 20.0" - 0 - 90 - ORS	2

CO420

# HYDRAULIC HOSE DIAGRAM (GAS/DIESEL) - EXPLODED VIEW



# CONNECTION DIAGRAM (GAS/DIESEL)



KEY NO.	PART NUMBER	DESCRIPTION	QTY
1	0795-103	Harness	1
2	2-00-04345	Tye-Rap	10
3	7-90-07358	Wire - #86	2

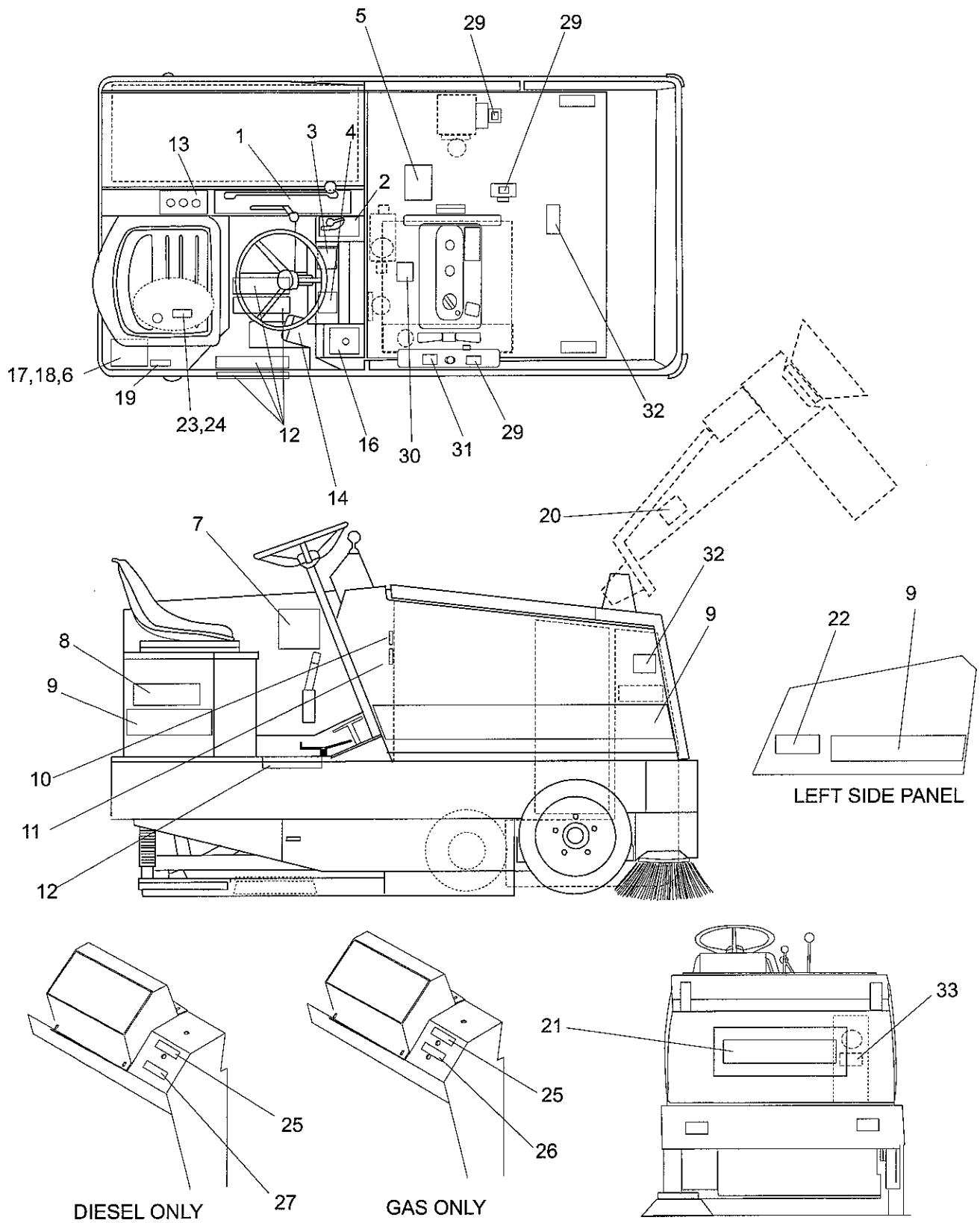
C0423

## DECALS - PARTS LIST

<u>KEY NO.</u>	<u>PART NUMBER</u>	<u>DESCRIPTION</u>	<u>QTY</u>
1	7-18-00139	Decal - Scrub Deck/Sol. Feed	1
2	7-18-00138	Decal - Broom	1
3	7-18-00141	Decal - Horn, Light, Batt - Meter	1
4	7-18-00140	Decal - Squeegee	1
5	7-18-00143	Decal - Batt. Chg + Removal	1
6	7-18-00142	Decal - Electrical Hazard	1
7	8-18-00272	Decal - General	1
8	7-18-00201	Decal - 6700	1
9	8-18-00225	Decal - 6.00 Bulk Tape	96"
10	8-50-00013	Nameplate	1
11	2-00-04115	Rivet - Blind 1/8 x 1/8	2
12	8-50-05022	Pad - Foot	4
13	8-50-05050	Pad - Brake Pedal	1
14	8-50-05055	Pad - Fwd/Rev Pedal	1
15	7-18-00202	Decal - Hopper Controls	1
16	7-18-00203	Decal - Side Broom	1
17	8-18-00277	Decal - Fuel Warning	1
18	8-18-00085	Decal - Fuel Warning	1
19	8-18-00088-1	Decal - Reservoir	1
20	7-18-00204	Decal - Safety Arm	1
21	8-18-00347	Decal - Clarke/American-Linc	1
22	7-18-00200	Decal - Model 6700	1
23	8-18-00310	Decal - Gasoline Only	1
24	8-18-00311	Decal - Diesel Only	1
25	7-18-00133	Decal - Throttle	1
26	7-18-00132	Decal - Choke	1
27	7-18-00187	Decal - Diesel Starting	1
28	8-18-00309	Decal - Glow Plug	1
29	8-18-00307	Decal - Warning Fan/Belt	3
30	8-18-00306	Decal - Hyd Fluid Only	1
31	8-18-00074	Decal - Fan Warning	1
32	8-18-00305	Decal - Pinch Point	3
33	8-18-00074	Decal - Fan Warning	1

CO413

# DECALS - EXPLODED VIEW



---

**AMERICAN-LINCOLN TECHNOLOGY  
RIDER SWEEPER / SCRUBBER  
"BUMPER-TO-BUMPER" LIMITED WARRANTY**

**I. COVERAGE**

A. Subject to the terms and limitations stated herein, American-Lincoln warrants, to the original purchaser only, to repair or replace, at its option and upon the terms set out below, this product or any parts thereof (excluding normal maintenance items) which are defective in materials or workmanship, for a period of (2) two years or 2,000 hours of normal operation from the date of purchase, whichever comes first, provided that the product is operated and maintained in accordance with American-Lincoln's Maintenance and Operations Instruction.

1. (a) During the first (90) ninety days from the date of purchase, American-Lincoln will provide, without charge, parts and on-site labor (including up to three (3) hours total round-trip travel time) to remedy a defective product or part.

(b) During the next (9) nine months or 1,000 hours (whichever come first) American-Lincoln will provide, without charge, parts and labor to remedy a defective product or part; however all travel time for on-site remedy and all shipping and freight charges for off-site remedy of the product or parts thereof shall be the sole responsibility of the purchaser.

(c) During the next (12) twelve months or a total of 2000 hours (whichever comes first) American Lincoln will provide, without charge, parts to remedy a defective product or part, however all labor, travel time for on-site remedy and all shipping and freight charges for off-site remedy of the product or parts thereof shall be the sole responsibility of the purchaser.

B. In addition to the terms listed above, if applicable, the following additional warranty coverage is applied.

1. (a) American-Lincoln warrants to the original purchaser only, to repair or replace, at its option and upon the terms set out below, the drive line electrical components including the electric drive propulsion motor, electric wheel drive motor and electronic drive controller, and all hydraulic pumps and motors, to provide replacement parts which are defective in material or workmanship, for a period of (3) years or 3000 hours (whichever comes first) provided that the product is operated and maintained in accordance with American-Lincoln's Maintenance and Operations Instruction.

(b) American Lincoln warrants to the original purchaser only, to repair or replace, at its option and upon the terms set out below, the internal combustion liquid cooled engine, to provide replacement parts which are defective in material or workmanship, for a period of (5) five years or unlimited hours of normal operation. All labor, travel time, shipping and freight charges shall be the sole responsibility of the purchaser.

(c) American-Lincoln, warrants to the original purchaser only, to repair or replace, at its option and upon the terms set out below, the main frame, debris hopper, solution tank, and the recovery tank, for the life of the machine against failure caused by defects in workmanship or total rust through. For purposes of this coverage, cosmetic deterioration or surface rust does not constitute a failure.

(d) American-Lincoln, warrants to the original purchaser only, to repair or replace, at its option and upon the terms set out below, the batteries which becomes unserviceable under normal use within a period of ninety (90) days from date of sale to the original user with new batteries of equal value. After expiration of the above ninety (90) day period, any battery which fails under normal use will be adjusted to the original user with a new battery of equal specifications on an eighteen (18) months pro rate basis from the date of purchase. Adjustment will be determined using the then current list price, plus transportation costs. Warranty is rendered NULL and Void if battery is not kept filled to the proper level with DISTILLED WATER.

**II. EXCLUSIONS**

● This warranty **does not** cover normal maintenance parts and labor, including but not limited to, rubber parts, seals, flaps, brushes, engine maintenance parts, hoses, carbon motor brushes, fluids and routine adjustments.

● This warranty **does not** cover damage or failure of the product or any parts thereof which is the result of misuse, negligent operation, handling or repair, or which is the result of modification by any person other than an authorized American-Lincoln service representative.

**III. LIMITATIONS**

A. AMERICAN-LINCOLN MAKES NO WARRANTIES OTHER THAN THOSE SPECIFIED HEREIN. ALL IMPLIED WARRANTIES OF MERCHANTABILITY AND OF FITNESS FOR A PARTICULAR PURPOSE ARE EXPRESSLY EXCLUDED. AMERICAN-LINCOLN LIABILITY UNDER THIS WARRANTY IS LIMITED TO REPAIR AND/OR REPLACEMENT OF PRODUCTS OR PARTS AS SET OUT HEREIN. AMERICAN-LINCOLN SHALL NOT BE LIABLE FOR ANY INCIDENTAL OR CONSEQUENTIAL DAMAGES WHICH MAY RESULT FROM A PRODUCT OR PART DEFECT OR FAILURE. ANY EXTENSIONS OF OR MODIFICATIONS MADE TO THIS WARRANTY BY A DISTRIBUTOR OF AMERICAN-LINCOLN ARE THE SOLE RESPONSIBILITY OF THE DISTRIBUTOR.

IV. PROCEDURES AND CONDITIONS FOR WARRANTY CLAIMS AMERICAN-LINCOLN SHALL NOT BE LIABLE FOR REPAIR OR REPLACEMENT OF ANY DEFECTIVE PRODUCT OR PART THEREOF UNLESS AND UNTIL THE ORIGINAL PURCHASER FULFILLS THE FOLLOWING CONDITIONS PRECEDENT TO RECOVERY UNDER THIS WARRANTY:

● The original purchaser shall promptly complete and return the warranty and installation registration form included with the product at the time of the purchase;

● Upon product or part failure, the original purchaser shall promptly provide notice thereof to his nearest authorized American-Lincoln Service Representative; and

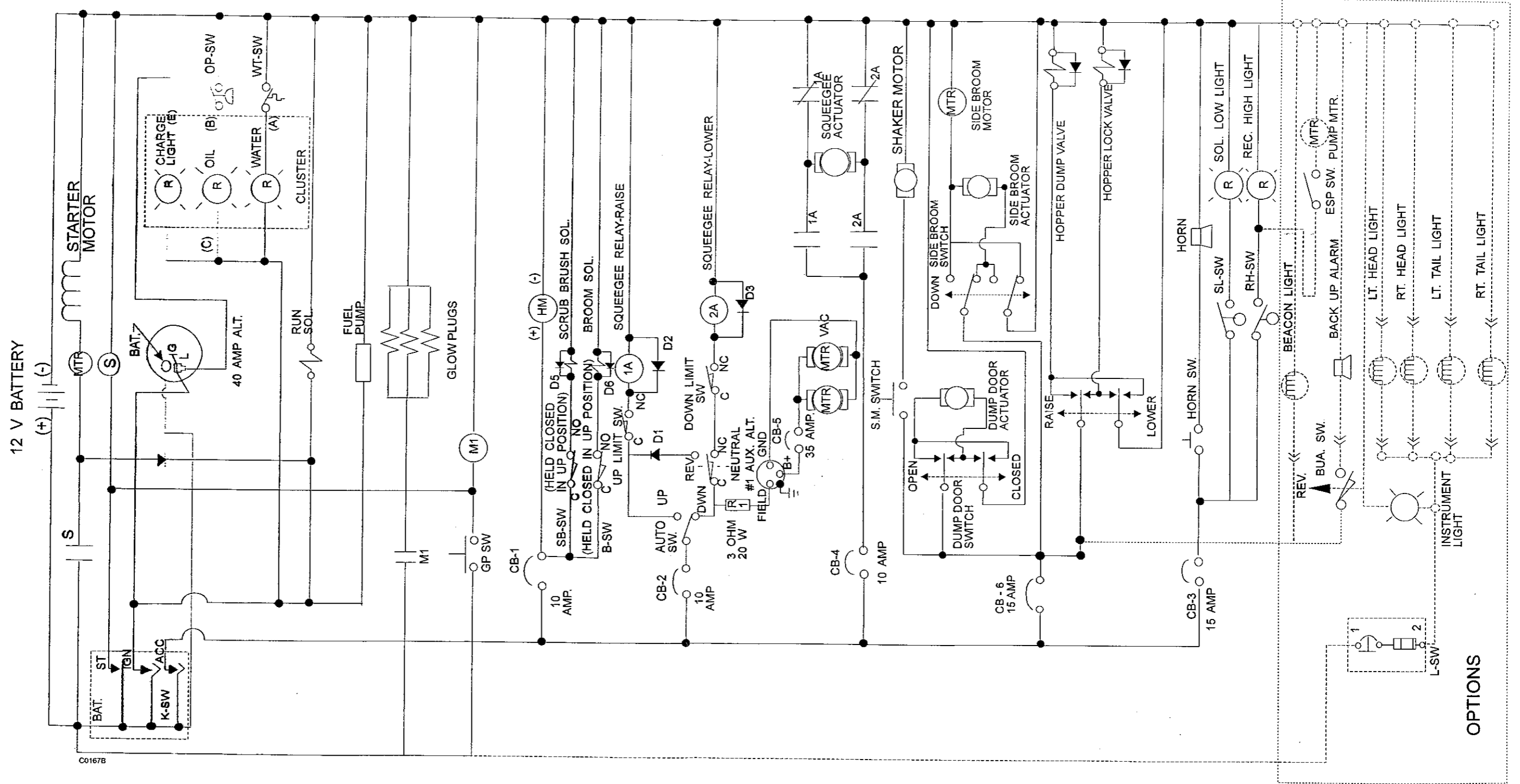
● The original purchaser shall permit the product or part to be inspected by American-Lincoln or its authorized representatives, as necessary and expenses for shipping or travel time shall be borne by the parties itemized in paragraph I herein above.

American-Lincoln Technology reserves the right to make changes and improvements to its machines without notice. For best results, use only the correct American-Lincoln Service parts.

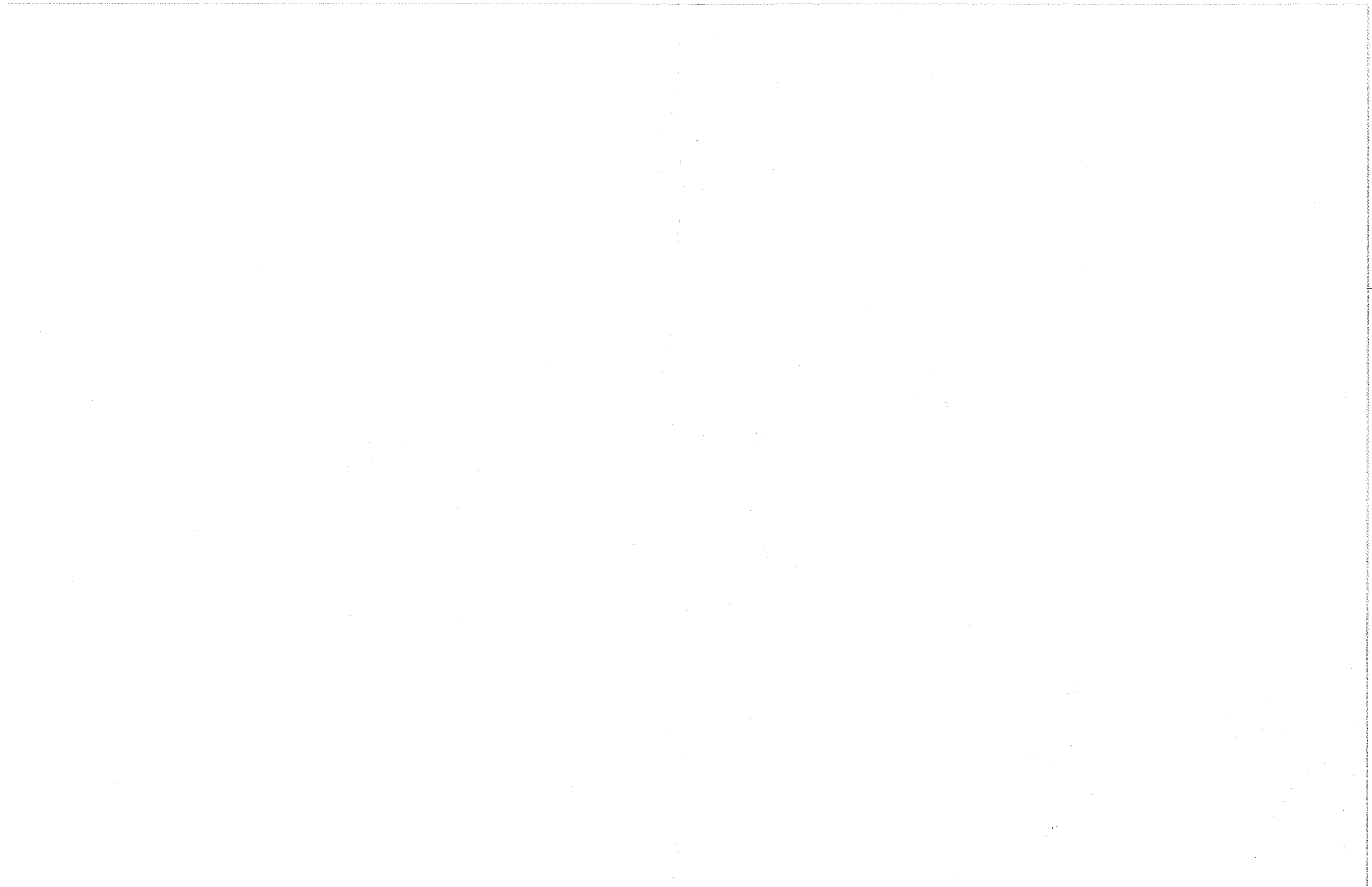
AMERICAN-LINCOLN TECHNOLOGY  
1100 HASKINS ROAD  
BOWLING GREEN, OHIO 43402



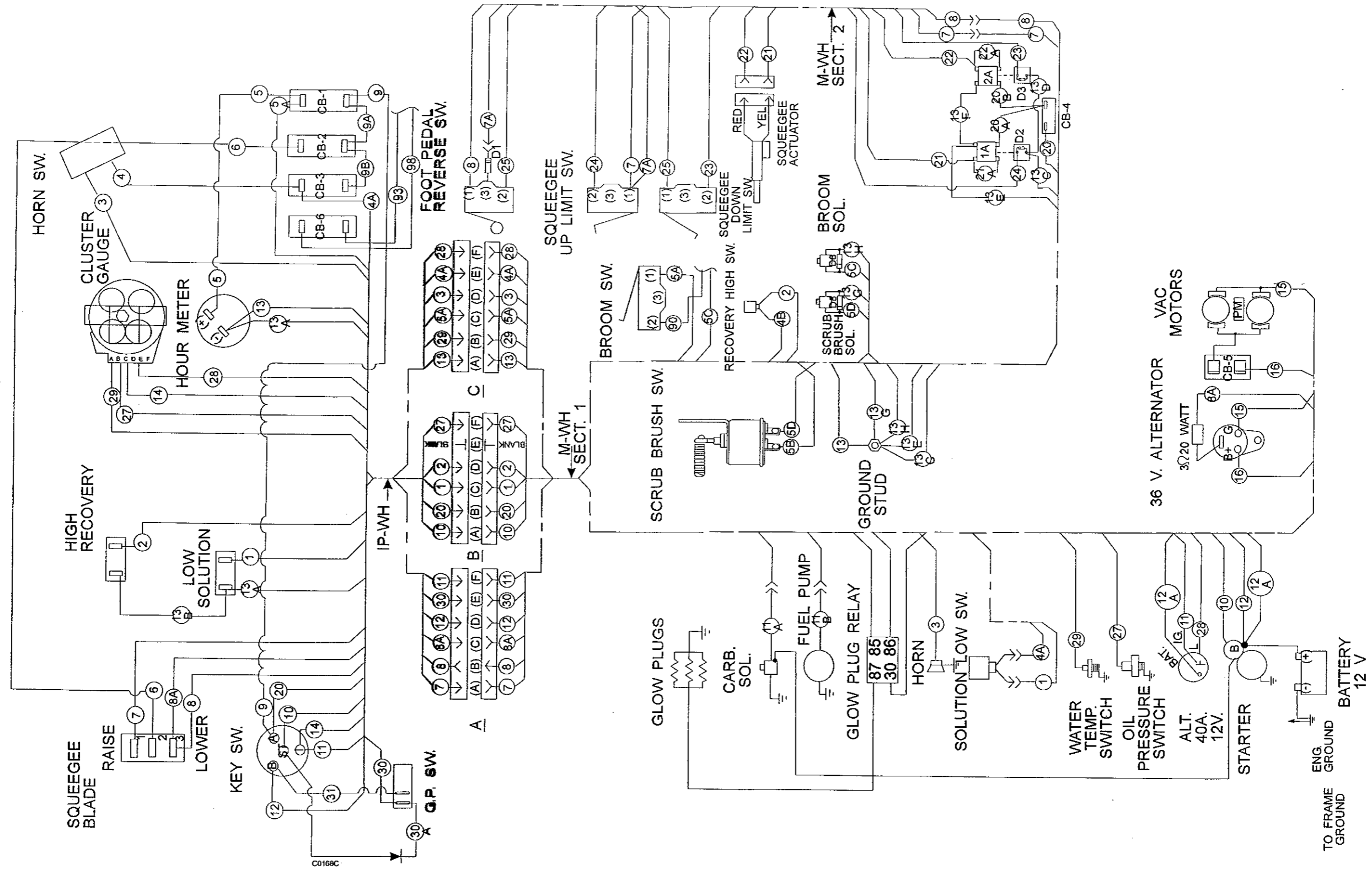
ELECTRICAL SCHEMATIC DIAGRAM - DIESEL



C0167B

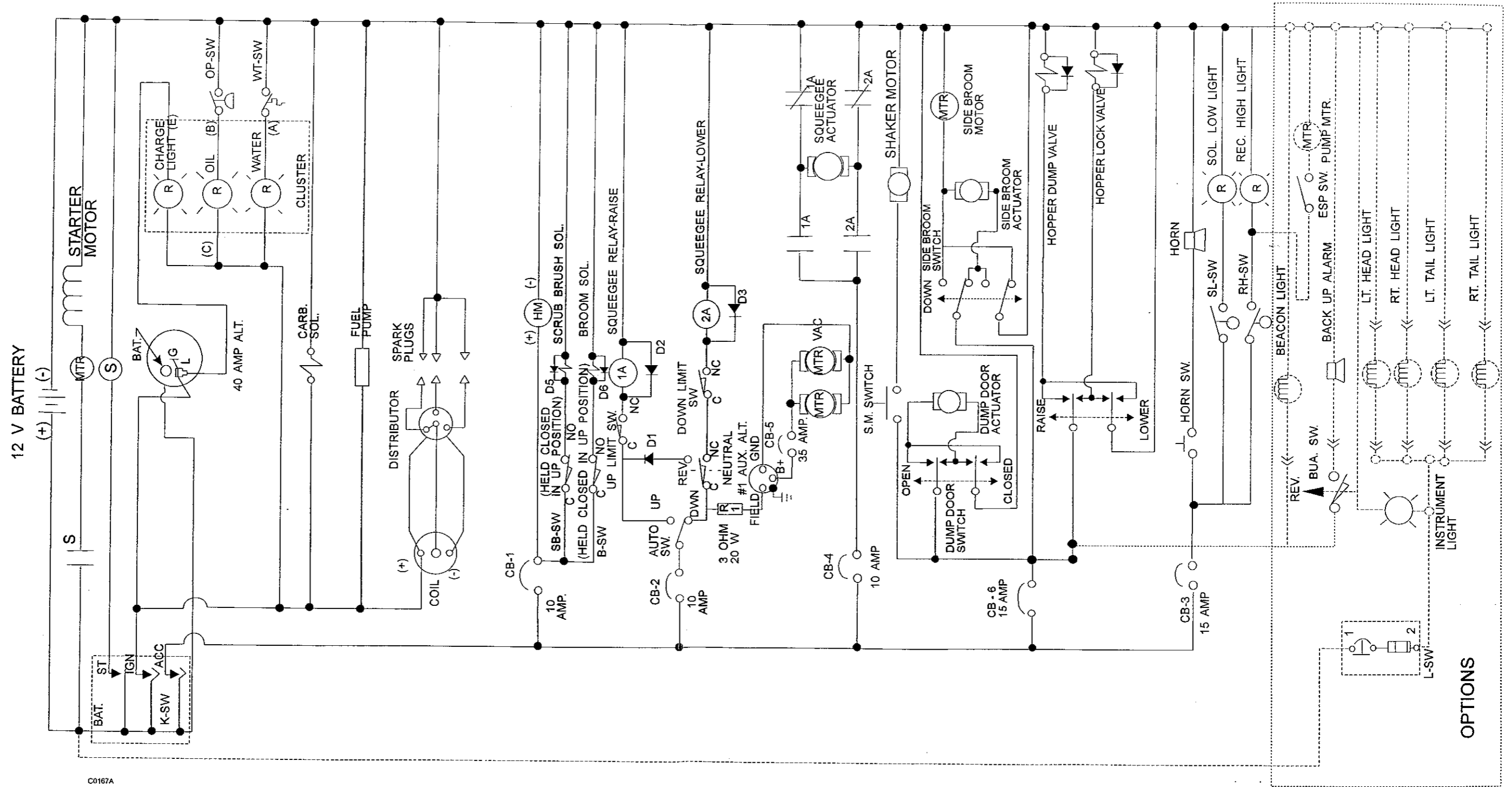


ELECTRICAL CONNECTION DIAGRAM - DIESEL





ELECTRICAL SCHEMATIC DIAGRAM - GAS





ELECTRICAL CONNECTION DIAGRAM - GAS

