



Electronic Service Manuals

This electronic document is provided as a service to our customers. We do not create the contents of the information contained in this document. Should you have detailed questions pertaining to the information contained in this document, you may contact Michco, or the manufacturer which provided the original information in this electronic deliverable. Michco's only part in this electronic deliverable was the electronic assembly process. By providing this manual online we are not guaranteeing parts availability.

You may contact Michco through the following methods:

Phone (517) 484-9312

2011 N. High St. -- Lansing, Michigan -- 48906

Fax: (517) 484-9836

Email: CustomerService@Michco.com

Website: www.Michco.Com

Order Parts online at:

www.Michco.Com

Directly to Parts & Service:

By Email: **CustomerService@Michco.com**

By Fax: (517) 484-9836

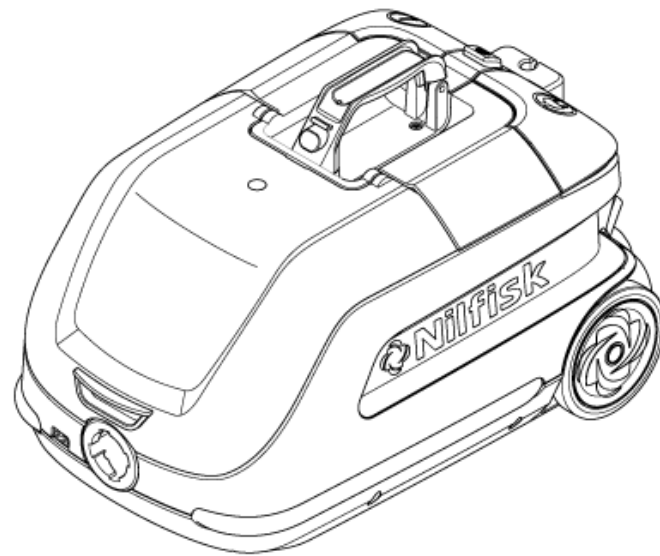
By Voice: (517) 484-9312

Serving the Cleaning Industry Since 1922

Notice: All copyrighted material remains property of original owners, all trademarks are property of respective owners. Manuals are subject to Manufacturer's reproduction limitations. Originals or reproductions were provided by manufacturers through a request. We make no warranty as to the correctness of information provided in this document and you assume all risk. By placing these manuals on line we are not declaring our corporation to be an manufacturer authorized dealer or provider, please check our web site for authorized manufacturers we represent.

VP600

Model:
VP600



Part List US-English

27-03-2015

Table of Contents

VP600

Overview	3
Accessories	5
Recommended spare parts	7

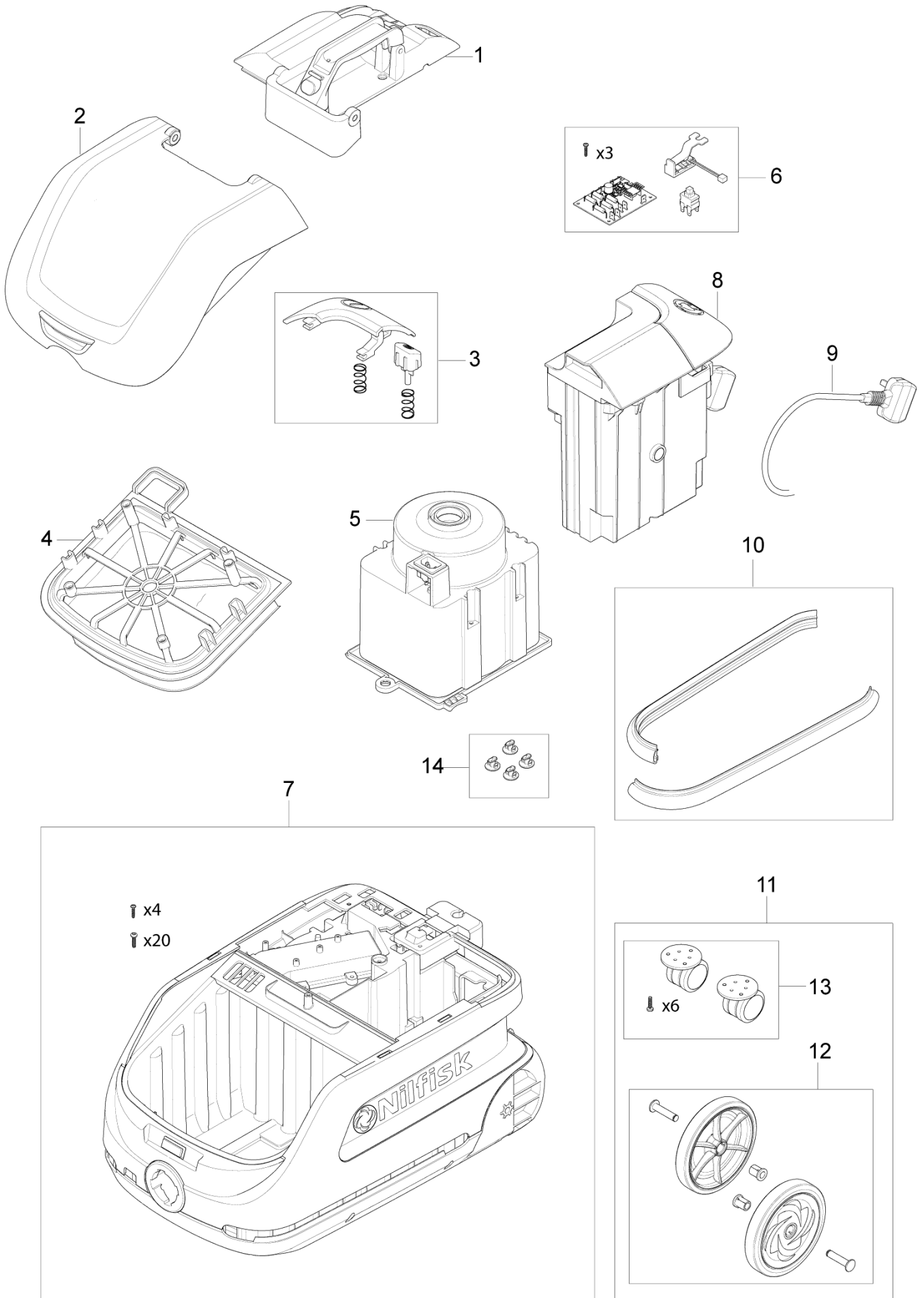
Overview

VP600

27-03-2015

Part List ID
VP60002

3



Overview

VP600

27-03-2015

Part List ID
VP60002

4

Pos	Part no.	Qty	Description
1	107413062	1	HANDLE KIT
2	107413059	1	LID
3	107413064	1	BOTTON KIT
4	107413056	1	SACKFILTER BASIC
5	107413052	1	MOTORMODUL EU
5	107413053	1	MOTORMODUL US
5	107413054	1	MOTORMODUL JP
6	107413067	1	PCB KIT EU
6	107413068	1	PCB KIT CN
7	107413058	1	PLASTIC KIT
7	107413066	1	BODY KIT
8	107413042	1	POWER MODUL FIXED UK
8	107413043	1	POWER MODUL FIXED EU
8	107413044	1	POWER MODULE DETACH EU
8	107413045	1	POWER MODULE DETACH AUS/NZ
8	107413046	1	POWER MODUL DETACH CN
8	107413047	1	POWER MODUL DETACH US
8	107413048	1	POWER MODUL REWINDER EU
8	107413049	1	POWER MODUL REWINDER AUS/NZ
8	107413050	1	POWER MODUL REWINDER JP
8	107413051	1	POWER MODUL REWINDER UK
9	107402678	1	DETACH CORD SET 10M ORG AUS/NZ
9	107402901	1	DETACH CORD SET 15M ORANGE EU
9	107413071	1	POWERCORD DETACHABLE CN
9	107413073	1	POWERCORD DETACHABLE US
9	140 6643 580	1	CORD SET 10.5M UK
9	140 6800 650	1	CORD SET 10M EU
10	107413065	1	BUMPER KIT
11	107413055	1	WHEEL KIT
12	107413063	1	WHEEL KIT BACK
13	147 1040 500	1	FRONT WHEEL KIT POWER/EXTREME.
14	107413069	1	Q TURN

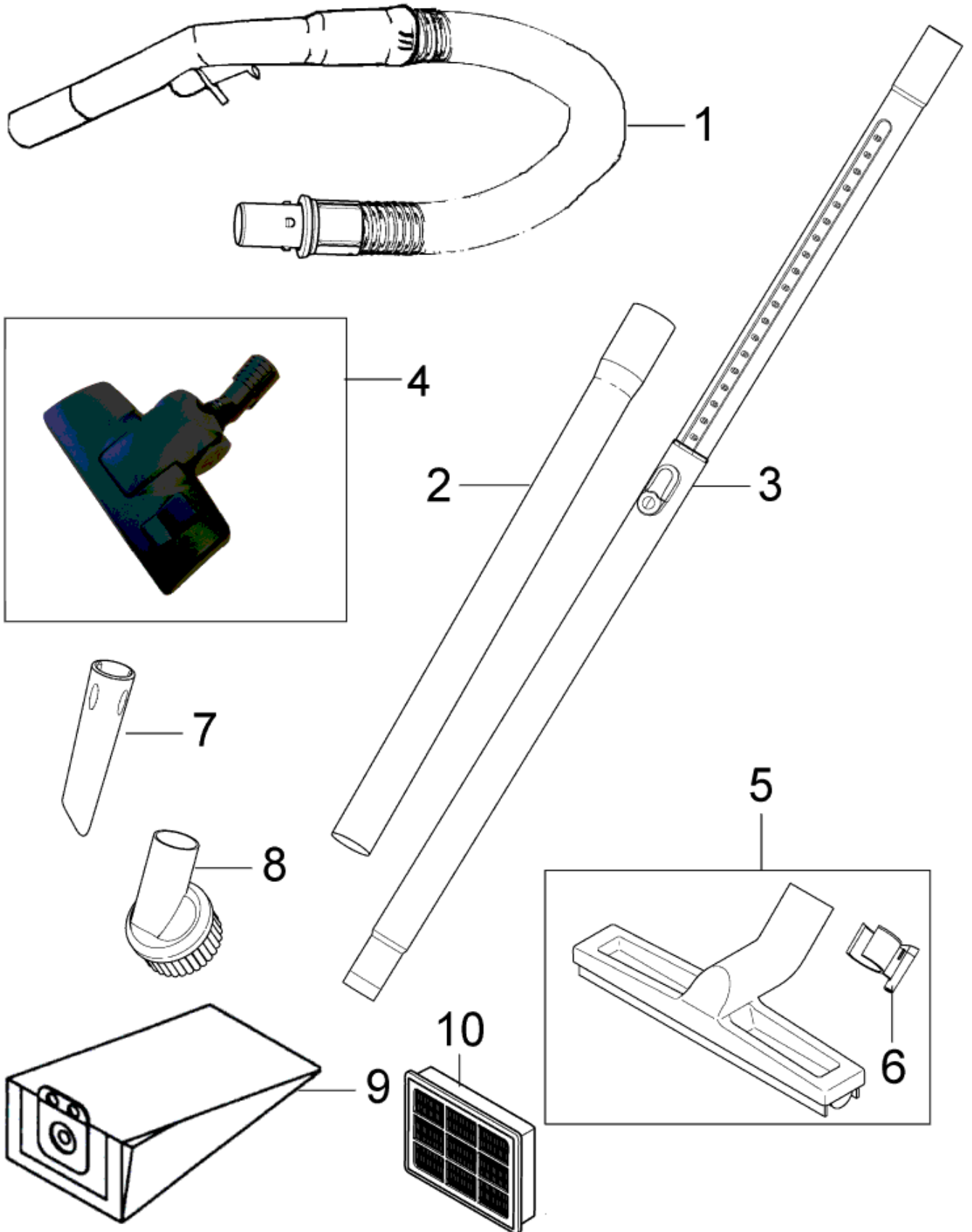
Accessories

VP600

27-03-2015

Part List ID
VP60004

5



Accessories

VP600

27-03-2015

Part List ID
VP60004

6

Pos	Part no.	Qty	Description
1	147 0765 500	1	HOSE CPL D32
2	011 6431 500	1	EXTENSION TUBE ALUMINIUM
3	011 8130 500	1	TELESCOPIC TUBE ALUMINIUM
4	107413075	1	NE10 NOZZLE
5	107413080	1	HARDFLOOR NOZZLE 350MM KIT
5	107413081	1	HARDFLOOR NOZZLE 495MM KIT
5	140 6700 540	1	NOZZLE MULTI SURFACE 32 MM
6	147 0585 500	1	PARKING CLIP BLACK
7	147 0146 500	1	CREVICE NOZZLE D32 L153 BLACK
8	140 8244 500	1	BRUSH NOZZLE D32
9	107413076	1	DUSTBAG VP600 FLEECE 10 PIECES
9	107413077	1	DUSTBAG VP600 PAPER 10 PIECES
10	107409854	1	HEPA FILTER H14 CPL
10	147 1250 500	1	HEPA FILTER H13

Recommended spare parts

VP600

27-03-2015

Part List ID
VP60006

7

No Drawing For Part List

Recommended spare parts

VP600

27-03-2015

Part List ID
VP60006

8

Pos	Part no.	Qty	Description
0	107402678	1	DETACH CORD SET 10M ORG AUS/NZ
0	107402901	1	DETACH CORD SET 15M ORANGE EU
	107413042	1	POWER MODUL FIXED UK
	107413043	1	POWER MODUL FIXED EU
	107413044	1	POWER MODULE DETACH EU
	107413045	1	POWER MODULE DETACH AUS/NZ
	107413046	1	POWER MODUL DETACH CN
	107413047	1	POWER MODUL DETACH US
	107413048	1	POWER MODUL REWINDER EU
	107413049	1	POWER MODUL REWINDER AUS/NZ
	107413050	1	POWER MODUL REWINDER JP
	107413051	1	POWER MODUL REWINDER UK
	107413052	1	MOTORMODUL EU
	107413053	1	MOTORMODUL US
	107413054	1	MOTORMODUL JP
	107413055	1	WHEEL KIT
	107413056	1	SACKFILTER BASIC
	107413064	1	BOTTON KIT
	107413067	1	PCB KIT EU
	107413068	1	PCB KIT CN
	107413069	1	Q TURN
	107413071	1	POWERCORD DETACHABLE CN
	107413073	1	POWERCORD DETACHABLE US
0	140 6643 580	1	CORD SET 10.5M UK
0	140 6800 650	1	CORD SET 10M EU