



Electronic Service Manuals

This electronic document is provided as a service to our customers. We do not create the contents of the information contained in this document. Should you have detailed questions pertaining to the information contained in this document, you may contact Michco, or the manufacturer which provided the original information in this electronic deliverable. Michco's only part in this electronic deliverable was the electronic assembly process. By providing this manual on line we are not guaranteeing parts availability.

You may contact Michco through the following methods:

Phone (517) 484-9312 or (800) 331-3339

2011 N. High St. -- Lansing, Michigan -- 48906

Fax: (517) 484-9836

Email: CustServe@Michco.com

Web site: www.Michco.Com

Parts Web site: www.FloorMachineParts.Com

Order Parts on Line at:

www.FloorMachineParts.Com

Directly to Parts & Service:

By Email: **Shop@Michco.com**

By Fax: (517) 702-2041

By Voice: Use numbers above.

Serving the Cleaning Industry Since 1922

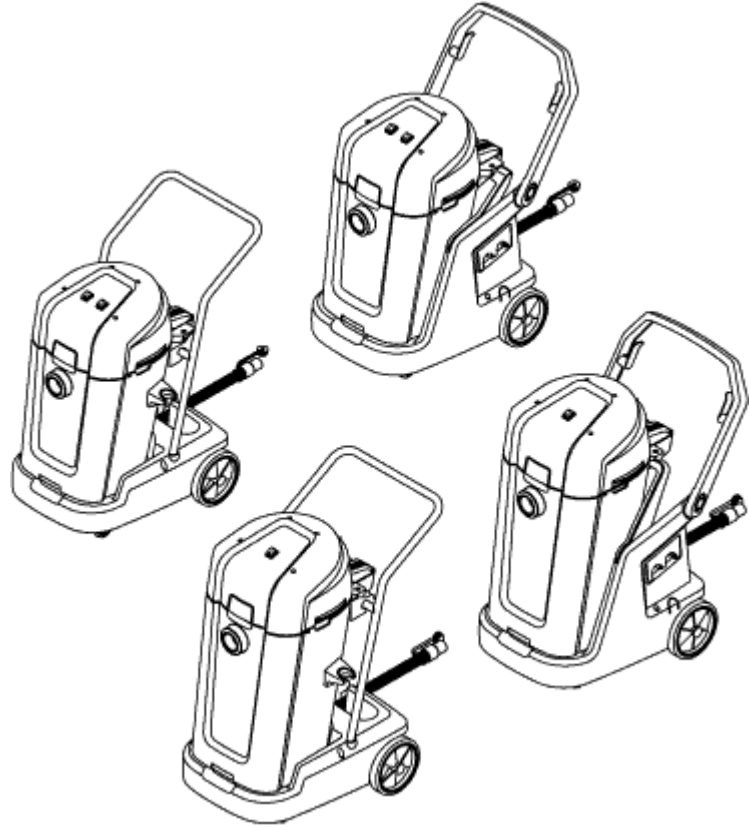
Notice: All copyrighted material remains property of original owners, all trademarks are property of respective owners. Manuals are subject to Manufacturer's reproduction limitations. Originals or reproductions were provided by manufacturers through a request. We make no warranty as to the correctness of information provided in this document and you assume all risk. By placing these manuals on line we are not declaring our corporation to be an manufacturer authorized dealer or provider, please check our web site for authorized manufacturers we represent.

VL500-75

Model:

VL500 - 75B - Nilfisk

VL500 - 75E - Nilfisk



Part List US-English

25-07-2013

Table of Contents

VL500-75

Top 55-1, 75-1	3
Top 55-2, 75-2	5
Container 75 BSF, BDF	7
Container 75 EDF	9
Filter and bags 55, 75	11
Squeegee Accessory	13
Accessories	15
Recommended spare parts	17

Top 55-1, 75-1

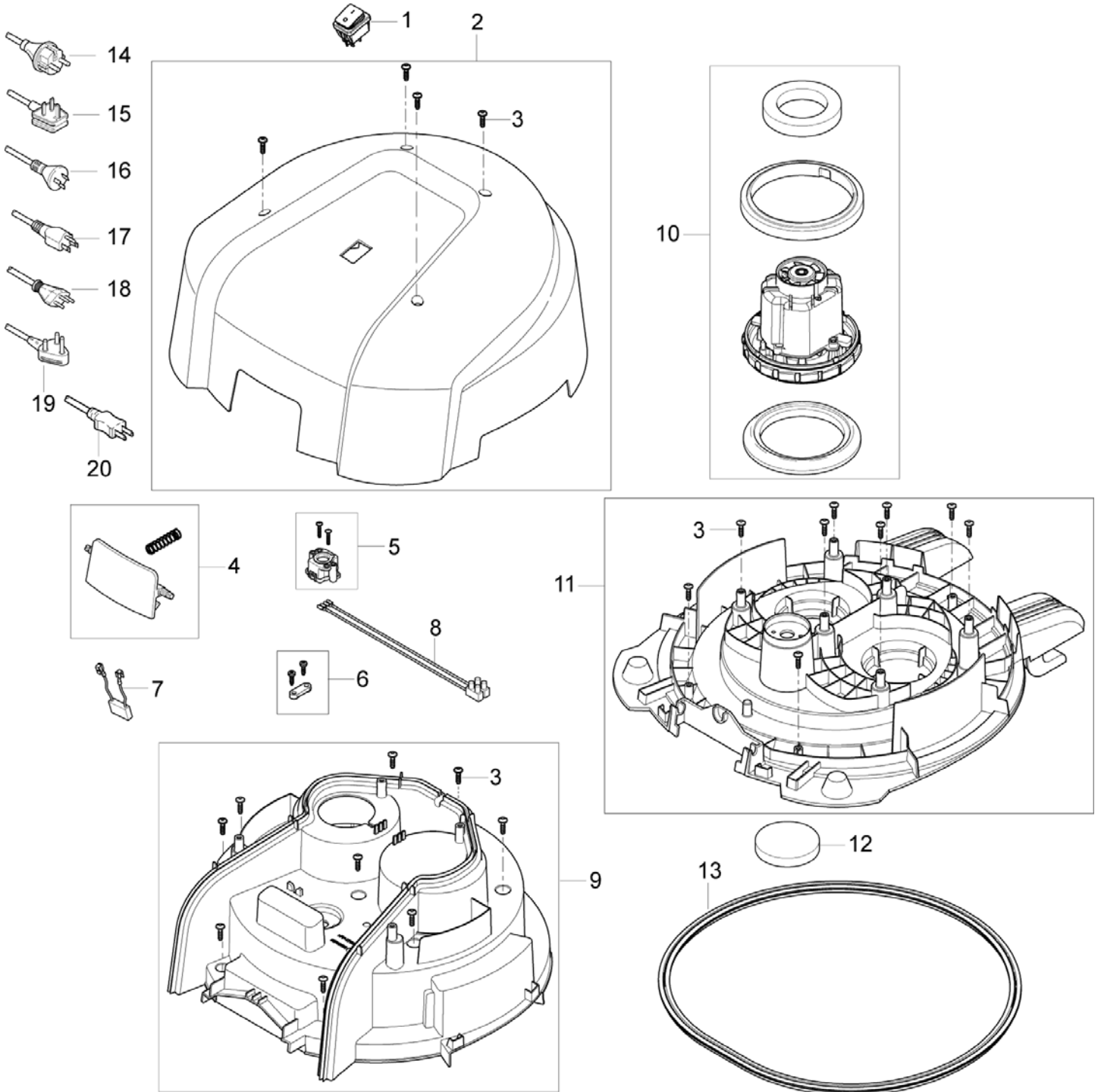
VL500-75

25-07-2013

Part List ID

VL50004

3



Top 55-1, 75-1

VL500-75

25-07-2013

Part List ID
VL50004

4

Pos	Part no.	Qty	Description
01	107404540	1	SWITCH 0-1 DOUBLE POLE SET
02	107407243	1	HOOD 75-55L 1 SWITCH VL500
03	302003704	13	SCREW EJOT DELTA PT50X18WN5451
04	107407235	1	CLAMP F. 75-55-35 L BIN VL500
05	107407237	1	VACUUM VALVE CPL.
06	140 6560 500	1	ANTI STRAIN CLIP
07	48338	1	ANTI-INTERFERENCE CAPACITOR
08	140 7042 500	1	WIRE INTERNAL FOR GWD 300
09	107407245	1	CLAMPING PLATE 55-75-1 VL500
10	302003384	1	MOTOR KIT 1200W 230V
10	302003388	1	MOTOR KIT 1000W 120V US JP
11	107407247	1	BASEPLATE 75-55L 1 MOTOR VL500
12	140 8682 500	1	MOTOR FILTER
13	107407249	1	GASKET F. BASEPLATE 75-55L
14	12222501	1	CORD SET EU L 10M
15	140 8262 020	1	CORD SET BLACK 10.5M UK-PLUG
16	140 8262 010	1	CORD SET 10.5 M AU PLUG
17	107401614	1	CORD SET US/TW 3C 15.5M YELLOW
18	12222507	1	CORD SET CH L 10M
19	107407242	1	POWER CORD H05VV-F 2X1.00 SABS 164-1 16A ZA
20	140 6702 500	1	CORD SET JP 15.5M

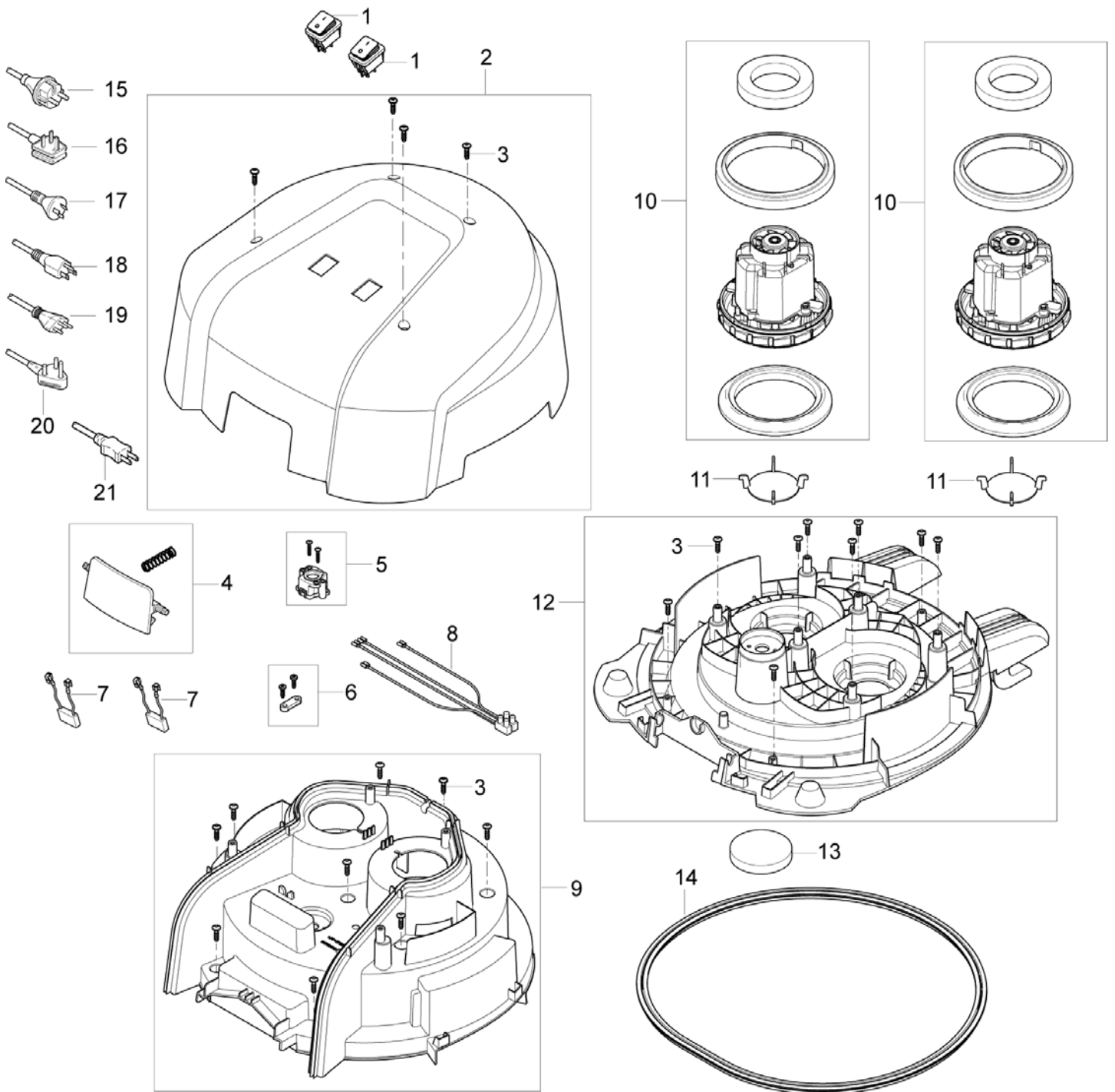
Top 55-2, 75-2

VL500-75

25-07-2013

Part List ID
VL50006

5



Top 55-2, 75-2

VL500-75

25-07-2013

Part List ID
VL50006

6

Pos	Part no.	Qty	Description	
01	107404540	2	SWITCH 0-1 DOUBLE POLE SET	
02	107407250	1	HOOD 75-55 L - 2 SWITCHES VL500	
03	302003704	13	SCREW EJOT DELTA PT50X18WN5451	
04	107407235	1	CLAMP F. 75-55-35 L BIN VL500	
05	107407237	1	VACUUM VALVE CPL.	
06	140 6560 500	1	ANTI STRAIN CLIP	
07	48338	1	ANTI-INTERFERENCE CAPACITOR	
08	140 7620 530	1	SUPPRESSOR EU/UK/AU/NZ	
08	140 7620 540	1	SUPPRESSOR US UL-LIST	
09	107407252	1	CLAMPING PLATE 55-75-2 VL500	
10	302003384	1	MOTOR KIT 1200W 230V	
10	302004006	1	MOTOR 1200W/100V JP W.GASKET	
11	140 9526 500	1	VALVE DISC GWD 350/375	
12	107407254	1	BASEPLATE 75-55L 2 MOTOR VL500	
13	140 8682 500	1	MOTOR FILTER	
14	107407249	1	GASKET F. BASEPLATE 75-55L	
15	12222501	1	CORD SET EU L 10M	
16	140 8262 010	1	CORD SET 10.5 M AU PLUG	
17	107401614	1	CORD SET US/TW 3C 15.5M YELLOW	
19	12222507	1	CORD SET CH L 10M	
20	107407242	1	POWER CORD H05VV-F 2X1.00 SABS 164-1 16A	ZA
21	140 6702 500	1	CORD SET JP 15.5M	

Container 75 BSF, BDF

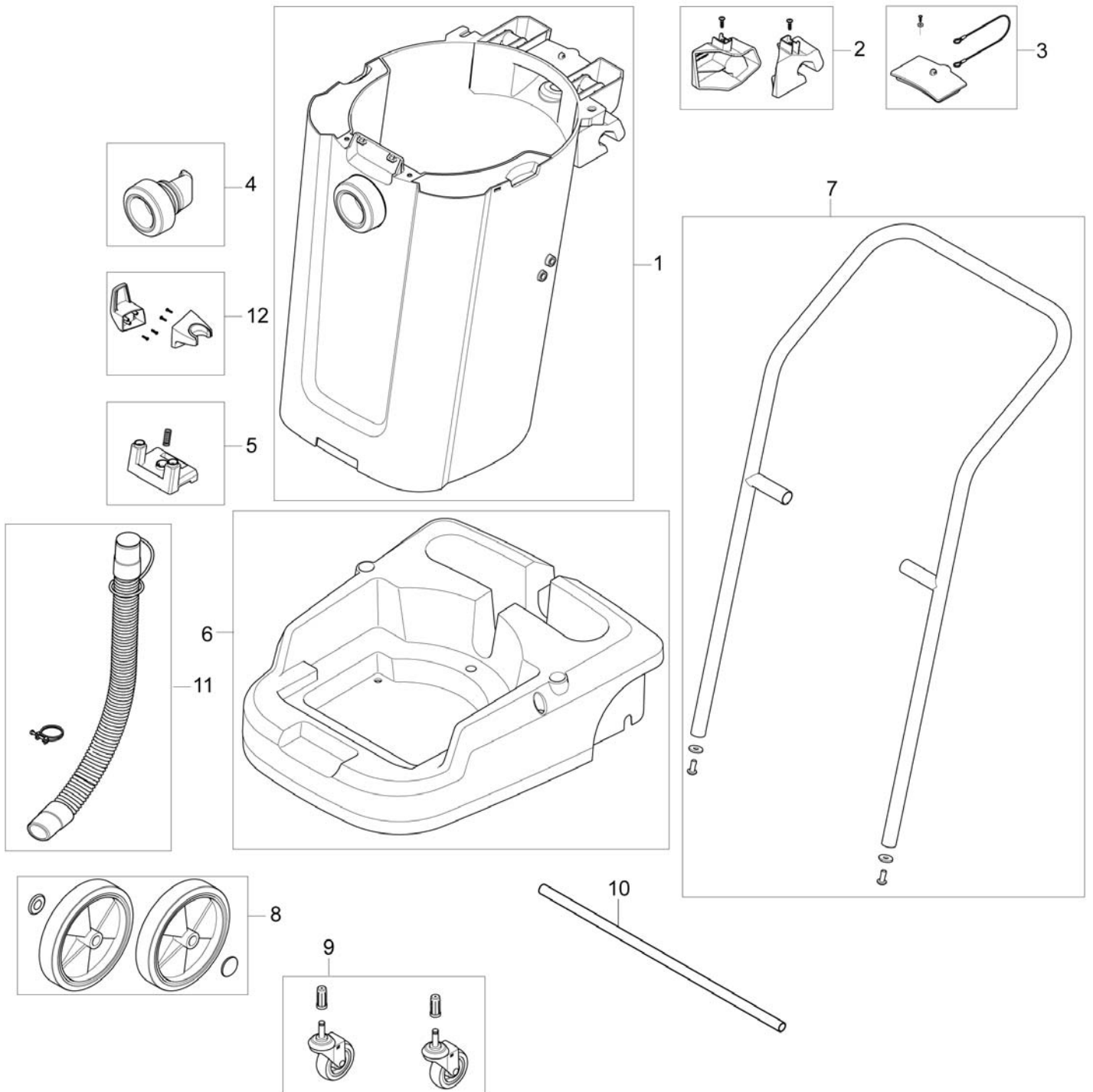
VL500-75

25-07-2013

Part List ID

VL50012

7



Container 75 BSF, BDF

VL500-75

25-07-2013

Part List ID
VL50012

8

Pos	Part no.	Qty	Description
01	107407274	1	CONTAINER 75L VL500
02	107407276	1	BRACKET LEFT-RIGHT F. 75L
03	107407266	1	SPOUT CAP
04	107407258	1	INLET ROUND VL500
05	107407280	1	PUSH-BUTTON F. EASY-TILT 75L VL500
06	107407269	1	FRAME F. BASIC TROLLEY VL500
07	107407282	1	HANDLE F. BASIC TROLLEY 75L
08	140 9543 500	1	REAR WHEEL
09	140 5476 500	1	WHEEL LINK TROLLEY 2-P
10	107407272	1	WHEEL 200MM WITH AXLE
11	107407307	1	DRAINHOSE F. 75L BIN
12	107408911	1	CABLE HOOK AND TUBE HOLDER VL500

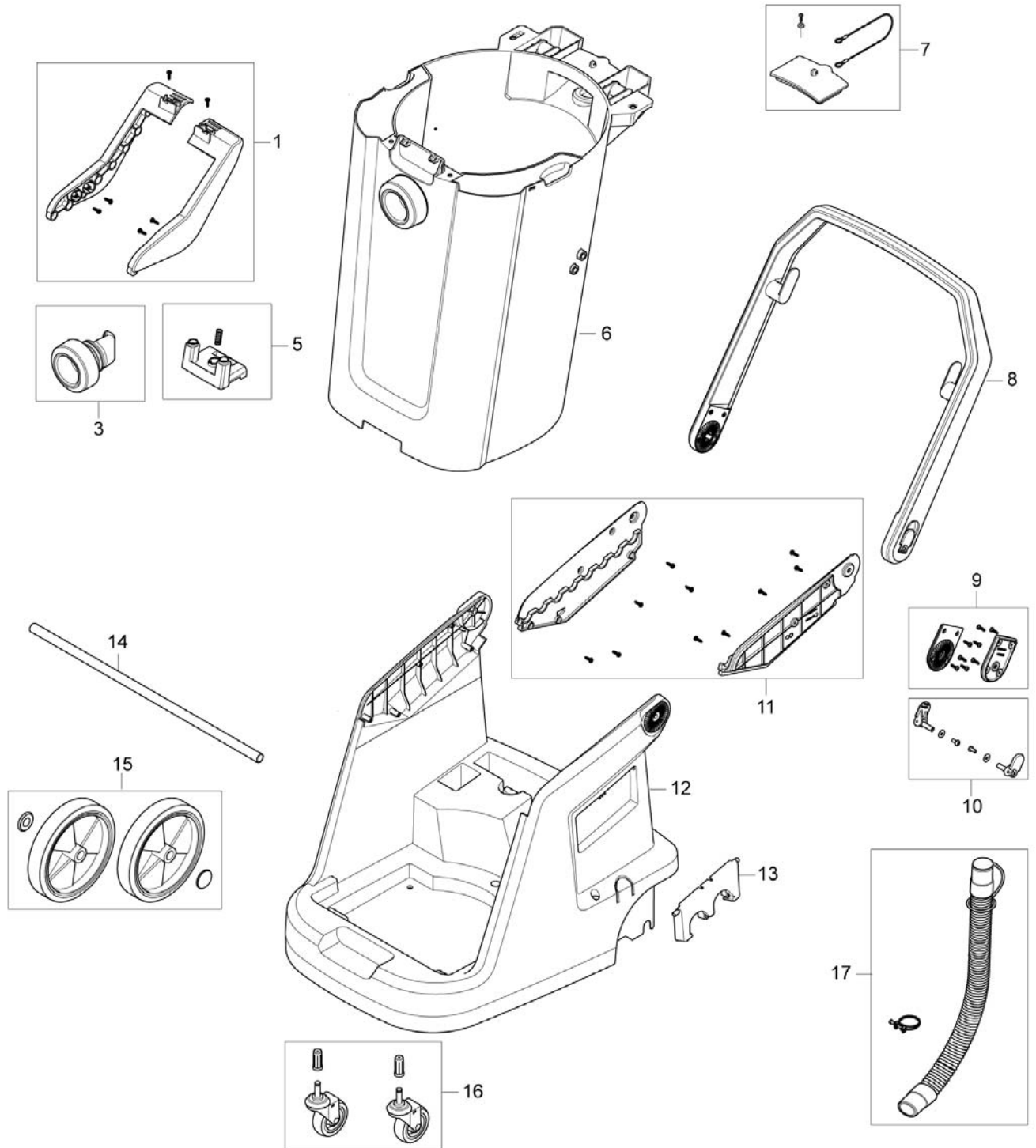
Container 75 EDF

VL500-75

25-07-2013

Part List ID
VL50018

9



Container 75 EDF

VL500-75

25-07-2013

Part List ID
VL50018

10

Pos	Part no.	Qty	Description
01	107407293	1	EASY TILT 75L BIN LEFT-RIGHT
03	107407258	1	INLET ROUND VL500
05	107407280	1	PUSH-BUTTON F. EASY-TILT 75L VL500
06	107407274	1	CONTAINER 75L VL500
07	107407266	1	SPOUT CAP
08	107407286	1	HANDLE 75L
09	107407287	1	SPLINE CONNECTION F. HANDLE
10	107407288	1	QUICK-RELEASE F. HANDLE
11	107408946	1	EASY TILT TROLLEY LEFT-RIGHT
12	107407291	1	FRAME F. ERGO TROLLEY
13	107407292	1	TUBEHOLDER F. TROLLEY
14	107407272	1	WHEEL 200MM WITH AXLE
15	140 9543 500	1	REAR WHEEL
16	140 5476 500	1	WHEEL LINK TROLLEY 2-P

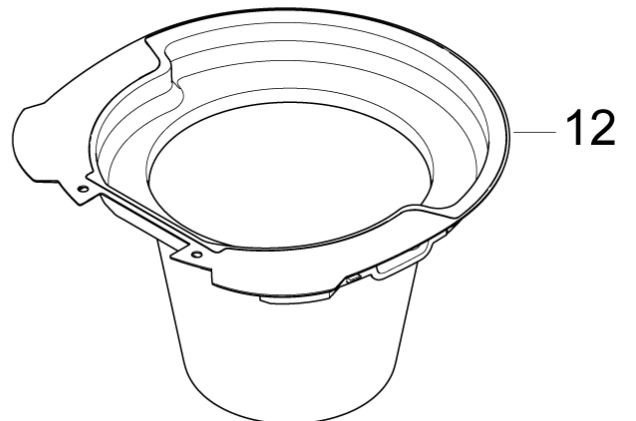
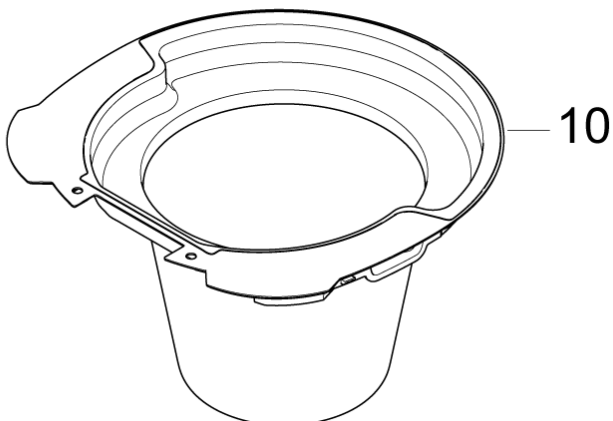
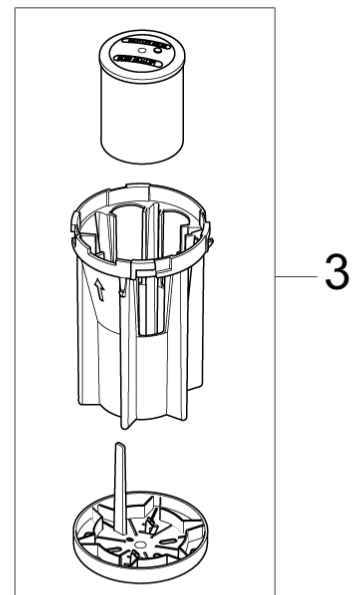
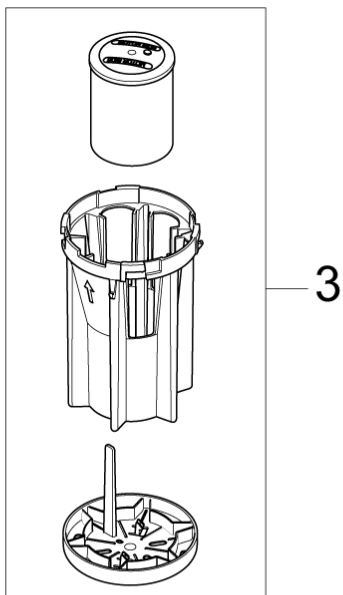
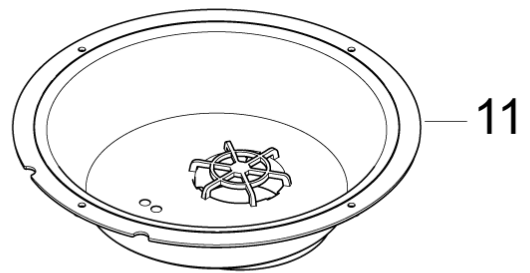
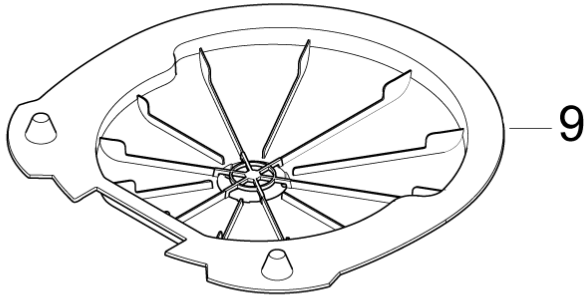
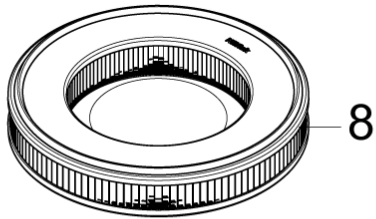
Filter and bags 55, 75

VL500-75

25-07-2013

Part List ID VL50022

11



Filter and bags 55, 75

VL500-75

25-07-2013

Part List ID
VL500ZZ

12

Pos	Part no.	Qty	Description	
02	140 8682 500	1	MOTOR FILTER	
03	140 8680 500	1	FLOAT BASKET	
08	107407300	1	CARTRIGE FILTER 75L	BDF, EDF
09	107407301	1	DRYFILTER BOX	BDF, EDF
10	107407302	1	WETFILTER 75-55L	BDF, EDF
11	107407303	1	FLOATER ADAPTER 55-75L	BSF
12	107407304	1	SACK FILTER 55-75L	BSF

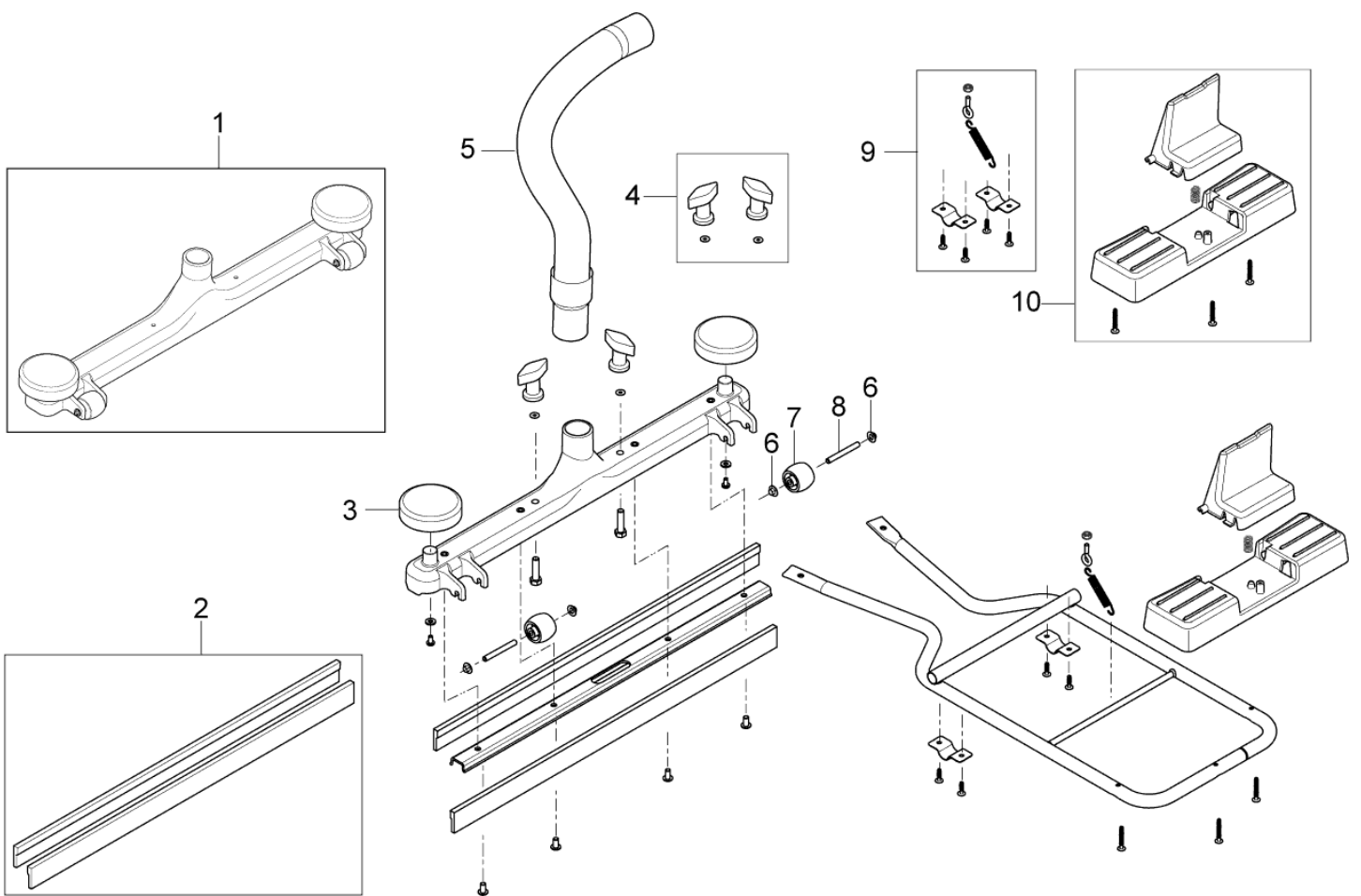
Squeegee Accessory

VL500-75

25-07-2013

Part List ID
VL50024

13



Squeegee Accessory

VL500-75

25-07-2013

Part List ID

VL50024

14

Pos	Part no.	Qty	Description
0	107407051	1	SQUEEGEE COMPLETE ANTHRACIT GREY
01	56209088	1	SQUEEGEE ASSEMBLY 24
02	56105533	1	BLADE BLUE FOR 24 E00601
03	56209157	2	BUMPER SIDE ROLLER
04	140 7947 500	1	NUT THUMB 5/16
05	107408917	1	HOSE FOR SQUEEGEE
06	56009132	4	NUT PUSH CAP 1/4
07	56329554	2	ROLLER
08	56209150	2	AXLE ROLLER
09	107408918	1	MOUNTING KIT FOR SQUEEGEE
10	107408916	1	PEDAL FOR SQUEEGEE GREY

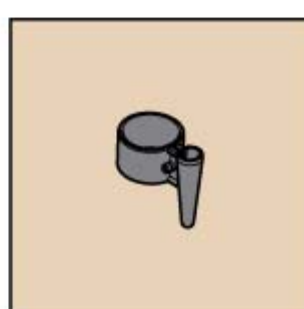
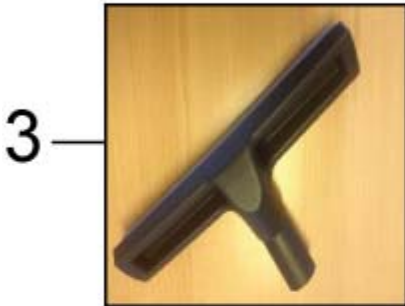
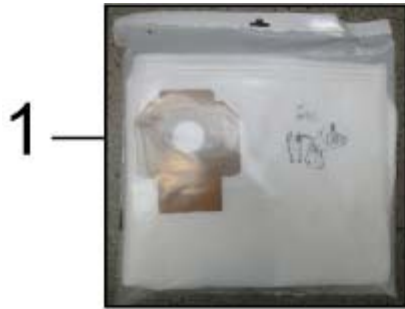
Accessories

VL500-75

25-07-2013

Part List ID
VL500ADV12

15



Accessories

VL500-75

25-07-2013

Part List ID
VL500ADV12

16

Pos	Part no.	Qty	Description
1	302004000	1	FLEECE FILTER BAG 5 PCS ATTIX 30
1	302004004	1	FLEECE FILTER BAG 5 PCS ATTIX 40/50
2	107407308	1	HOSE D32 1.9M CPL
2	107407336	1	HOSE D40 2.5M CPL
3	107407310	1	FLOOR NOZZLE D32 RUBBER STRIP
3	107407311	1	FLOOR NOZZLE D32 BRUSH
3	107407338	1	FLOOR NOZZLE D40 RUBBER STRIP
4	107407309	1	EXTENSION TUBE D32 - SS
4	107407337	1	EXTENSION TUBE D40 - SS
5	107407334	1	CREVICE NOZZLE D32
5	107408850	1	CREVICE NOZZLE D40
6	107407312	1	BRUSH NOZZLE D32
6	107407339	1	FLOOR NOZZLE D40 BRUSH
8	107407335	1	TUBEHOLDER D40

Recommended spare parts

VL500-75

25-07-2013

Part List ID
VL50026

17

No Drawing For Part List

Recommended spare parts

VL500-75

25-07-2013

Part List ID
VL50026

18

Pos	Part no.	Qty	Description
	107404540	1	SWITCH 0-1 DOUBLE POLE SET
	107407235	1	CLAMP F. 75-55-35 L BIN VL500
	107407237	1	VACUUM VALVE CPL.
	107407249	1	GASKET F. BASEPLATE 75-55L
	107407258	1	INLET ROUND VL500
	107407266	1	SPOUT CAP
	107407276	1	BRACKET LEFT-RIGHT F. 75L
	107407280	1	PUSH-BUTTON F. EASY-TILT 75L VL500
	107407287	1	SPLINE CONNECTION F. HANDLE
	107407288	1	QUICK-RELEASE F. HANDLE
	107407293	1	EASY TILT 75L BIN LEFT-RIGHT
	107407300	1	CARTRIGE FILTER 75L
	107407301	1	DRYFILTER BOX
	107407302	1	WETFILTER 75-55L
	107407303	1	FLOATER ADAPTER 55-75L
	107407304	1	SACK FILTER 55-75L
	107407307	1	DRAINHOSE F. 75L BIN
0	107408946	1	EASY TILT TROLLY LEFT-RIGHT
	12222501	1	CORD SET EU L 10M
	140 5476 500	1	WHEEL LINK TROLLEY 2-P
	140 8680 500	1	FLOAT BASKET
	140 8682 500	1	MOTOR FILTER
	140 9526 500	1	VALVE DISC GWD 350/375
	302003384	1	MOTOR KIT 1200W 230V
	302003388	1	MOTOR KIT 1000W 120V
	302003704	1	SCREW EJOT DELTA PT50X18WN5451
	48338	1	ANTI-INTERFERENCE CAPACITOR