



## Electronic Service Manuals

This electronic document is provided as a service to our customers. We do not create the contents of the information contained in this document. Should you have detailed questions pertaining to the information contained in this document, you may contact Michco, or the manufacturer which provided the original information in this electronic deliverable. Michco's only part in this electronic deliverable was the electronic assembly process. By providing this manual on line we are not guaranteeing parts availability.

You may contact Michco through the following methods:

Phone (517) 484-9312 or (800) 331-3339

2011 N. High St. -- Lansing, Michigan -- 48906

Fax: (517) 484-9836

Email: [CustServe@Michco.com](mailto:CustServe@Michco.com)

Web site: [www.Michco.Com](http://www.Michco.Com)

Parts Web site: [www.FloorMachineParts.Com](http://www.FloorMachineParts.Com)

Order Parts on Line at:

**[www.FloorMachineParts.Com](http://www.FloorMachineParts.Com)**

Directly to Parts & Service:

By Email: **[Shop@Michco.com](mailto:Shop@Michco.com)**

By Fax: (517) 702-2041

By Voice: Use numbers above.

**Serving the Cleaning Industry Since 1922**

Notice: All copyrighted material remains property of original owners, all trademarks are property of respective owners. Manuals are subject to Manufacturer's reproduction limitations. Originals or reproductions were provided by manufacturers through a request. We make no warranty as to the correctness of information provided in this document and you assume all risk. By placing these manuals on line we are not declaring our corporation to be an manufacturer authorized dealer or provider, please check our web site for authorized manufacturers we represent.

# GD 5, GD 10, GD 5 Battery

---

Model:  
GD 10 BACK  
GD 5 BACK



Part List US-English

08-07-2009

# Table of Contents

GD 5, GD 10, GD 5 Battery

<b>Motor and motor parts</b>	<b>3</b>
<b>Electrical parts</b>	<b>5</b>
<b>Container parts</b>	<b>7</b>
<b>Straps parts</b>	<b>9</b>
<b>Filters</b>	<b>11</b>
<b>Nozzles <math>\varnothing</math>32 mm</b>	<b>13</b>
<b>Tubes, hose <math>\varnothing</math>32 mm</b>	<b>15</b>
<b>Overview GD 5 Battery</b>	<b>17</b>
<b>Container parts GD 5 Battery</b>	<b>19</b>
<b>Motor parts GD 5 Battery</b>	<b>21</b>
<b>Nozzles <math>\varnothing</math> 32mm GD 5 Battery</b>	<b>23</b>
<b>Tube and hose <math>\varnothing</math>32mm GD 5 Battery</b>	<b>25</b>

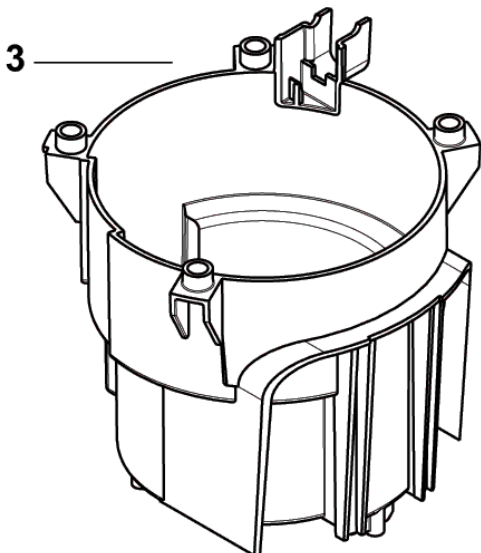
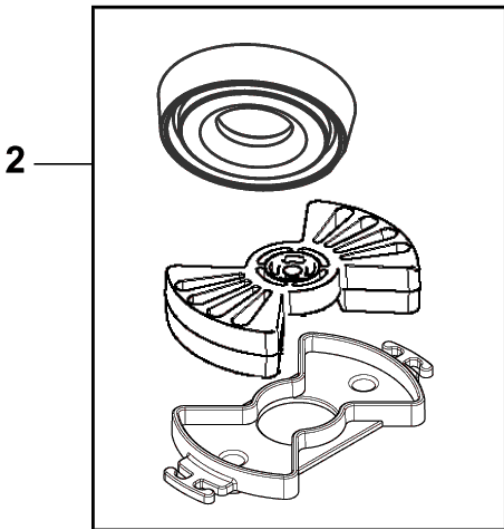
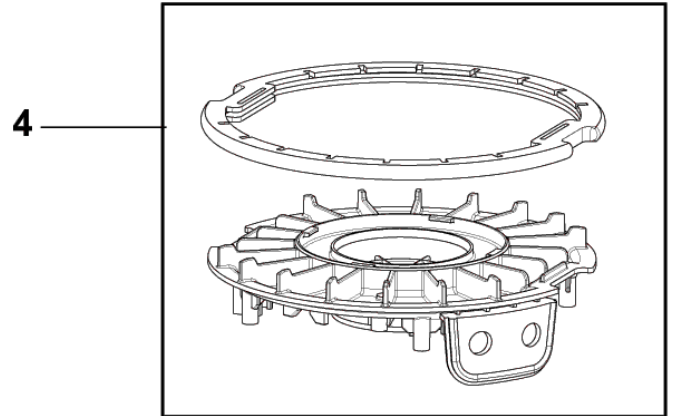
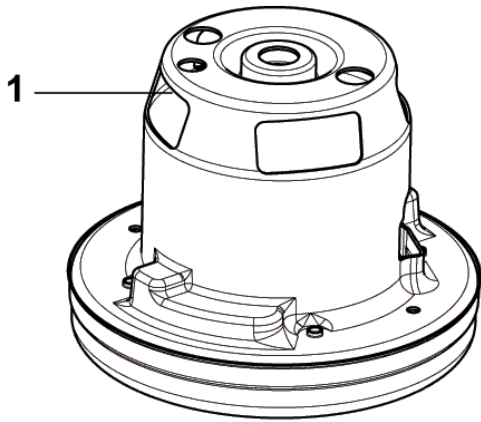
# Motor and motor parts

GD 5, GD 10, GD 5 Battery

08-07-2009

Part List ID  
B10633

3



# Motor and motor parts

GD 5, GD 10, GD 5 Battery

08-07-2009

Part List ID  
B10633

4

Pos	Part no.	Qty	Description	EAN
1	147 1109 500	1	FAN UNIT 100-120V 1300W	7319519665
1	147 1109 510	1	FAN UNIT 220-240V 1300W	7319519665
2	147 1111 500	1	MOTOR SUSPENSION KIT	7319519665
3	147 1088 500	1	MOTOR COVER	7319519665
4	147 1086 500	1	CHASSIS DARK GREY	7319519665

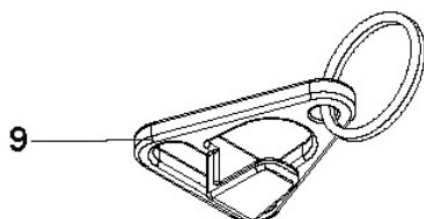
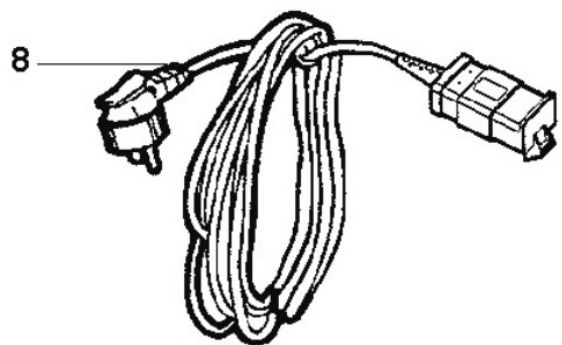
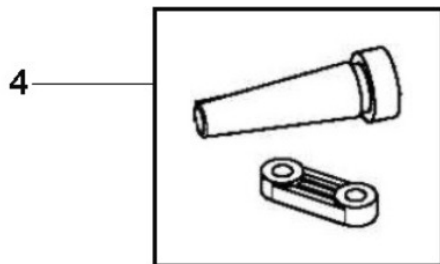
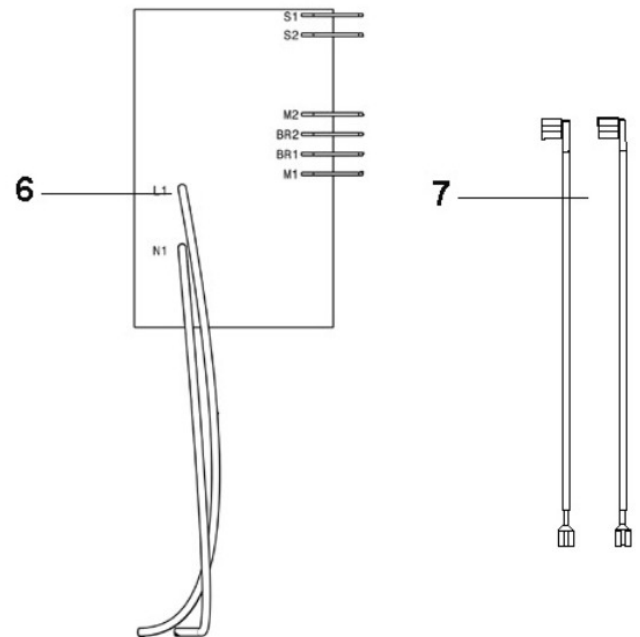
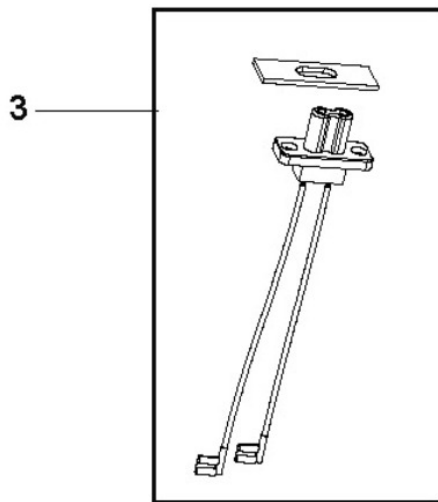
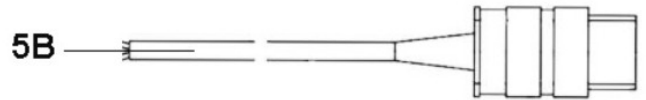
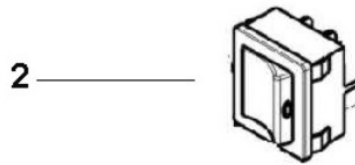
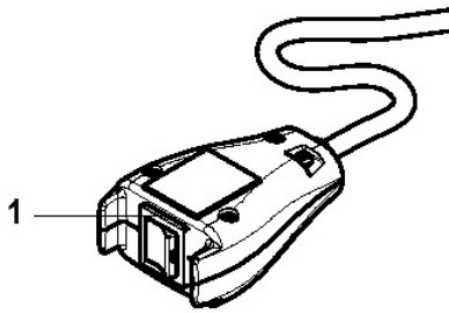
# Electrical parts

GD 5, GD 10, GD 5 Battery

08-07-2009

Part List ID  
B10635

5



# Electrical parts

GD 5, GD 10, GD 5 Battery

08-07-2009

Part List ID  
B10635

6

Pos	Part no.	Qty	Description	EAN
1	147 1105 500	1	SWITCH COMPLETE	7319519665
2	140 5496 510	1	SWITCH UL KIT	7319519631
3	140 8497 530	1	CONNECTOR	7319519664
4	140 7035 500	1	PROTECTION SLEEVE KIT	7319519631
5	12003803	1	CORD SET AU/NZ CPL. L 15M	5715492003
5	140 6702 500	1	CORD SET JP 15.5M	7319519651
5	147 0504 510	1	CORD SET CN 15M	7319519663
6	147 1231 500	1	CIRQUIT BOARD 220-240V	7319519665
6	147 1231 510	1	CIRQUIT BOARD 100-120V	7319519665
7	140 7040 510	1	INTERNAL WIRE KIT	7319519664
8	22156201	1	CORD CPL. EU VERSION	5715492006
8	22156202	1	CORD CPL. UK VERSION	5715492006
9	140 8433 500	1	CABLE RELIEF LIT	7319519629
5B	140 8057 500	1	CORD WITH MALE PLUG	7319519664

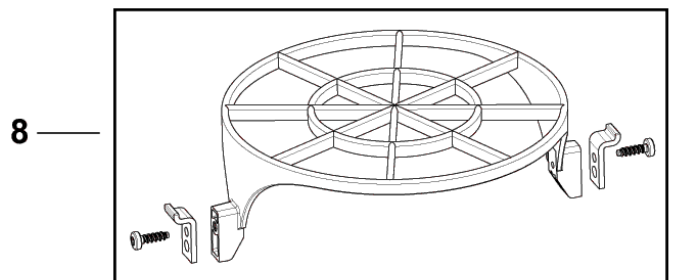
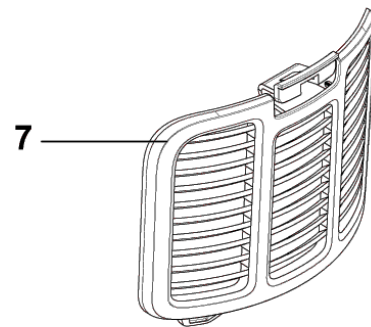
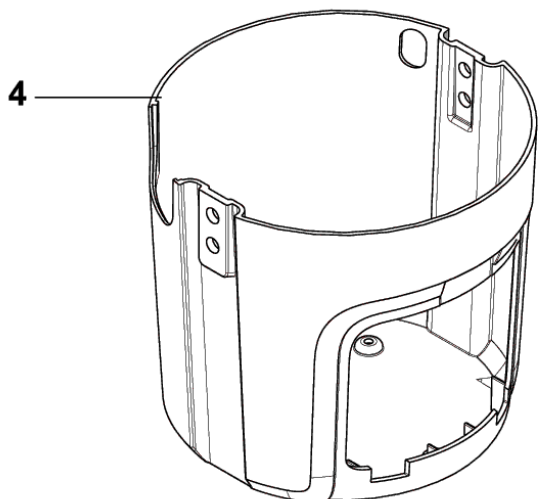
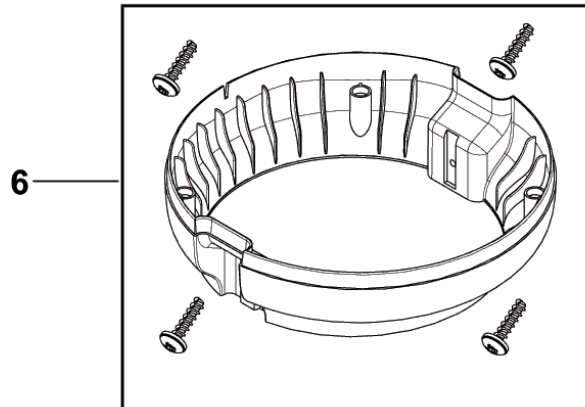
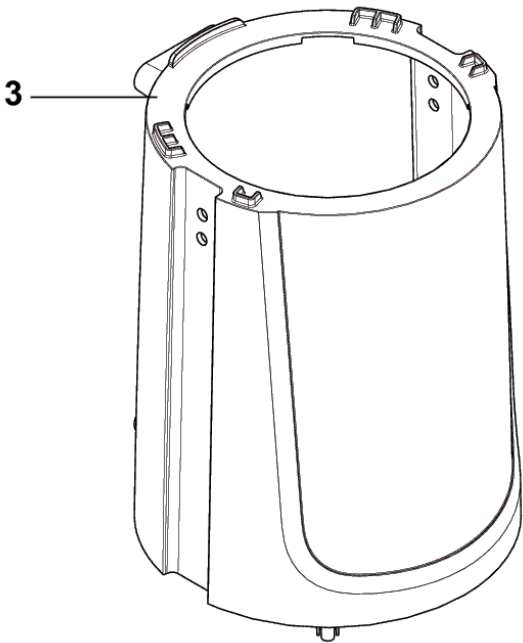
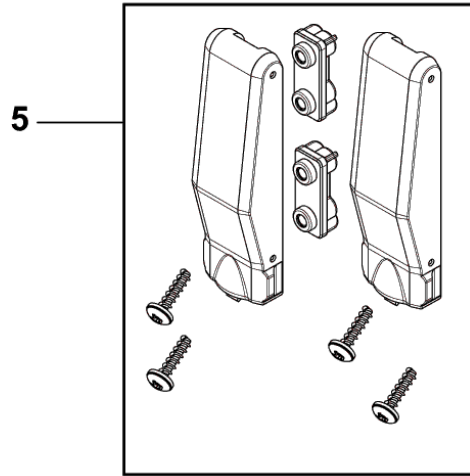
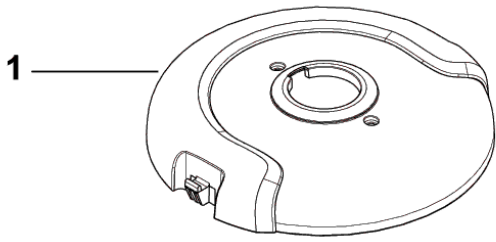
# Container parts

GD 5, GD 10, GD 5 Battery

08-07-2009

Part List ID  
B10637

7



# Container parts

GD 5, GD 10, GD 5 Battery

08-07-2009

Part List ID  
B10637

8

Pos	Part no.	Qty	Description	EAN
1	147 1077 500	1	OUTER LID 5L LIGHT GREY	7319519665
1	147 1080 500	1	OUTER LID 10 L LIGHT GREY	7319519665
3	147 1076 500	1	CONTAINER 5L LIGHT GREY	7319519665
3	147 1079 500	1	CONTAINER 10L LIGHT GREY	7319519665
4	147 1075 500	1	COVER OUTER DARK GREY	7319519665
4	147 1075 510	1	COVER OUTER DARK GREY	7319519665
5	147 1101 500	1	LATCH KIT	7319519665
6	147 1078 500	1	ADAPTOR 10L LIGHT GREY	7319519665
7	147 1082 500	1	GRID EXHAUST DARK GREY	7319519665
8	147 1115 500	1	BASKET SACK FILTER	7319519665

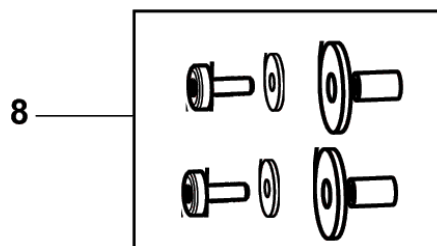
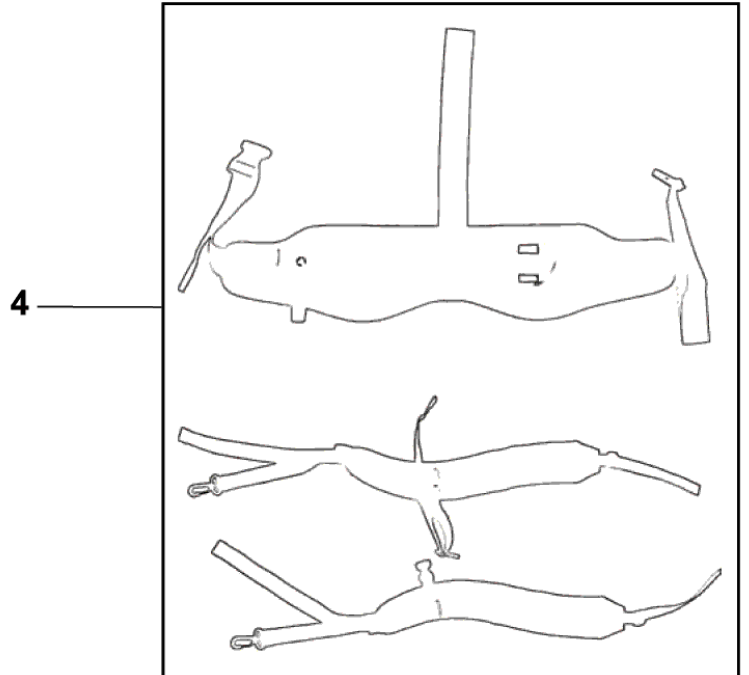
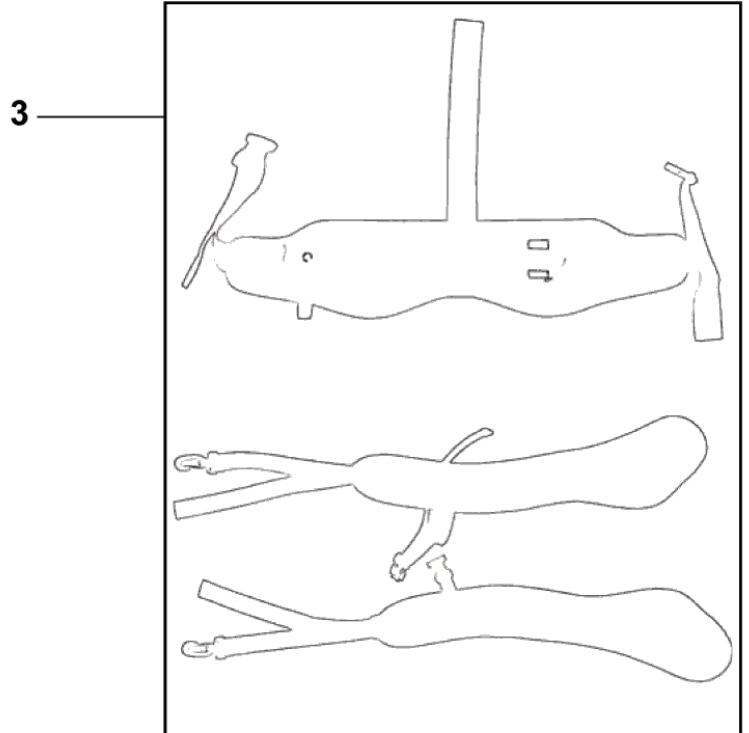
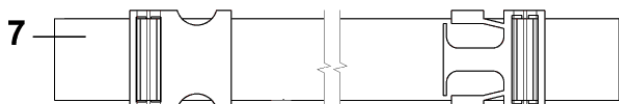
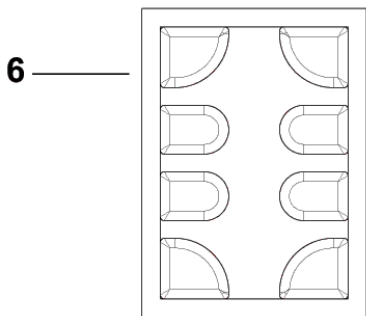
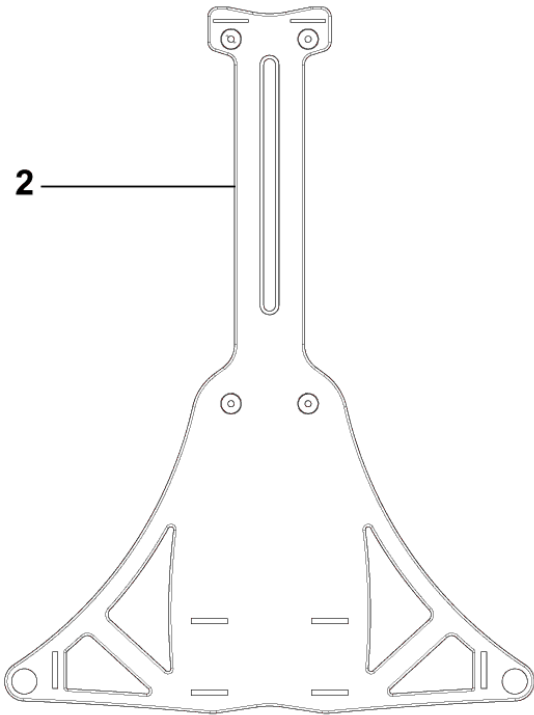
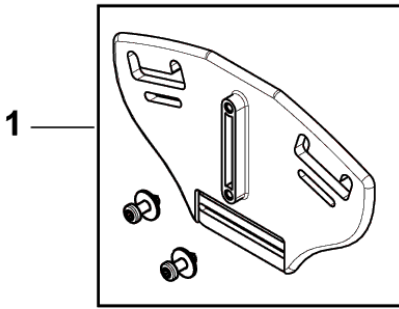
# Straps parts

GD 5, GD 10, GD 5 Battery

08-07-2009

Part List ID  
B10639

9



# Straps parts

GD 5, GD 10, GD 5 Battery

08-07-2009

Part List ID  
B10639

10

Pos	Part no.	Qty	Description	EAN
1	147 1092 500	1	ADJUSTING PLATE	7319519665
2	147 1091 500	1	HARNESS SUPPORT	7319519665
3	147 1246 500	1	HARNESS PREMIUM	7319519665
4	147 1090 500	1	HARNESS STD.	7319519665
4	147 1090 510	1	HARNESS STD.CPL	7319519665
5	147 1247 500	1	LIFTING STRAP	7319519665
6	147 1248 500	1	PADDING BACK PLATE	7319519665
7	147 1249 500	1	EXTENTION BELT	7319519665
8	147 1246 600	1	SCREW KIT	7319519665

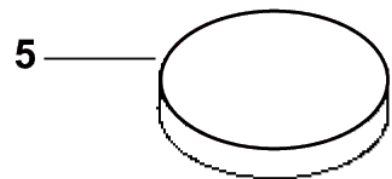
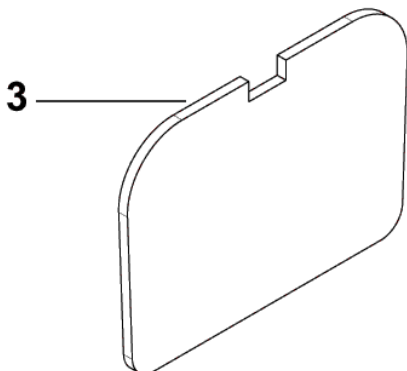
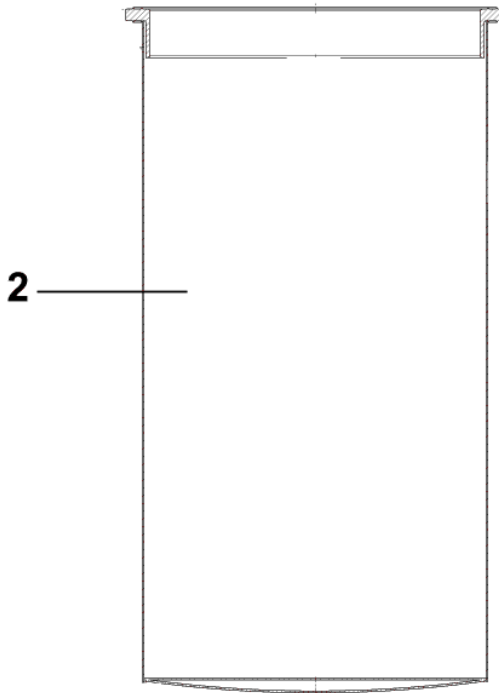
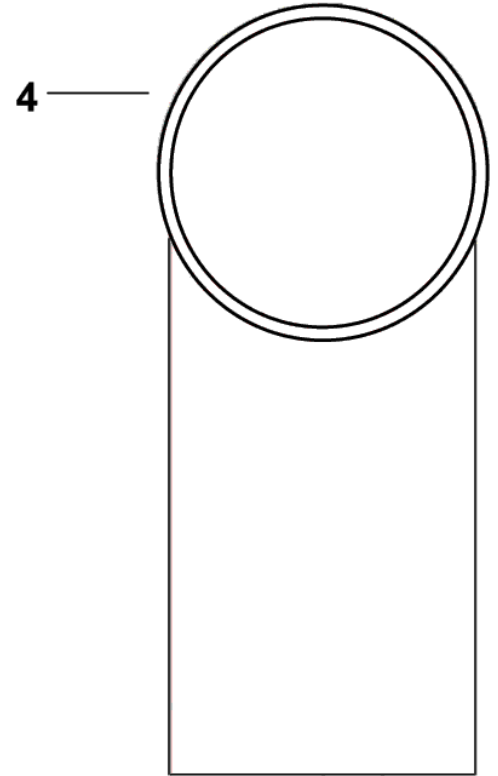
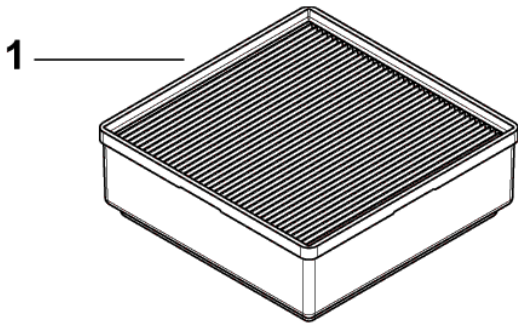
# Filters

GD 5, GD 10, GD 5 Battery

08-07-2009

Part List ID  
B106311

11



# Filters

GD 5, GD 10, GD 5 Battery

08-07-2009

Part List ID

B106311

12

Pos	Part no.	Qty	Description	EAN
1	147 1104 500	1	HEPA FILTER COMPLETE	7319519665
2	147 1099 500	1	SACK FILTER 10L	7319519665
2	147 1100 500	1	SACK FILTER 5L	7319519665
3	147 1089 500	1	6XHAUST FILTER	7319519665
4	147 1097 500	1	DUST BAG KIT 10L 5-P	7319519665
			1 Pre-filter included	
4	147 1098 500	1	DUST BAG KIT 5L 5-P	7319519665
			1 Pre-filter included	
5	147 1095 500	1	PREFILTER	7319519665
			Kit with 3 Pre-filters	

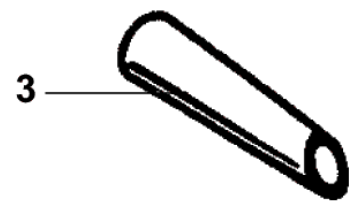
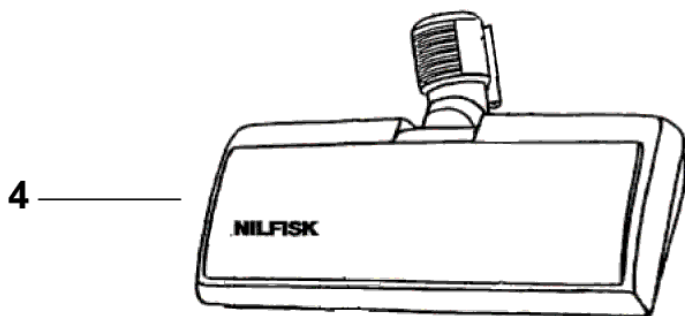
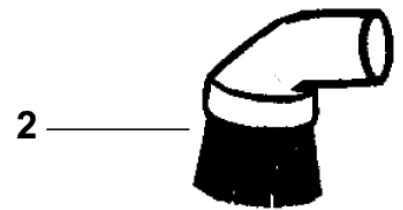
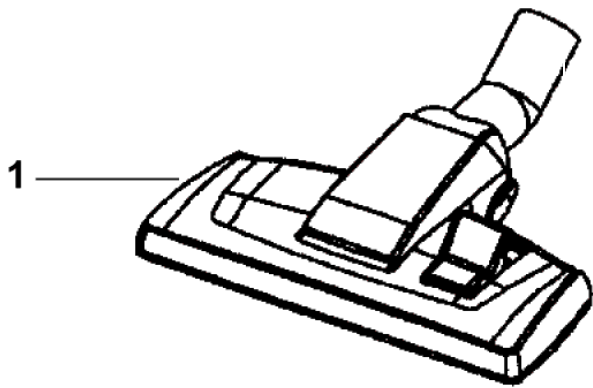
# Nozzles $\varnothing 32$ mm

GD 5, GD 10, GD 5 Battery

08-07-2009

Part List ID  
B106313

13



# Nozzles ø32 mm

GD 5, GD 10, GD 5 Battery

08-07-2009

Part List ID  
B106313

14

Pos	Part no.	Qty	Description	EAN
1	140 8492 520	1	COMBI NOZZLE KIT	7319519636
2	140 8244 500	1	BRUSH NOZZLE KIT	7319519658
3	81140900	1	CREVICE NOZZLE KIT	7319519658
4	22203000	1	NOZZLE ELECTRO	7319519502

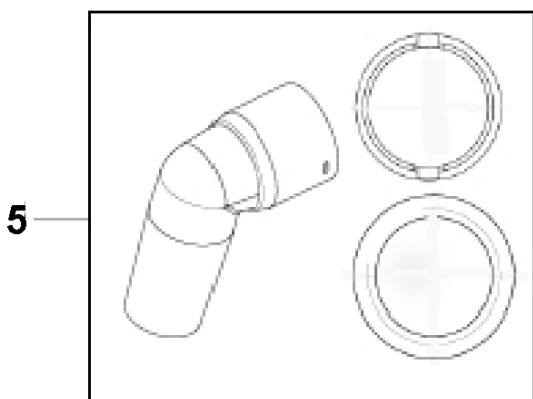
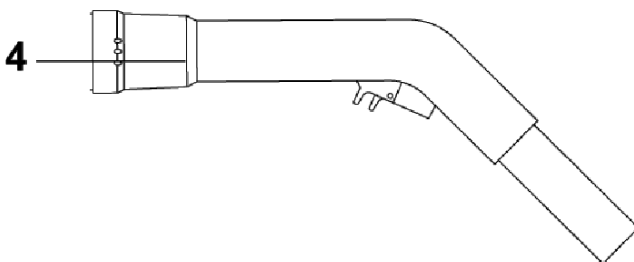
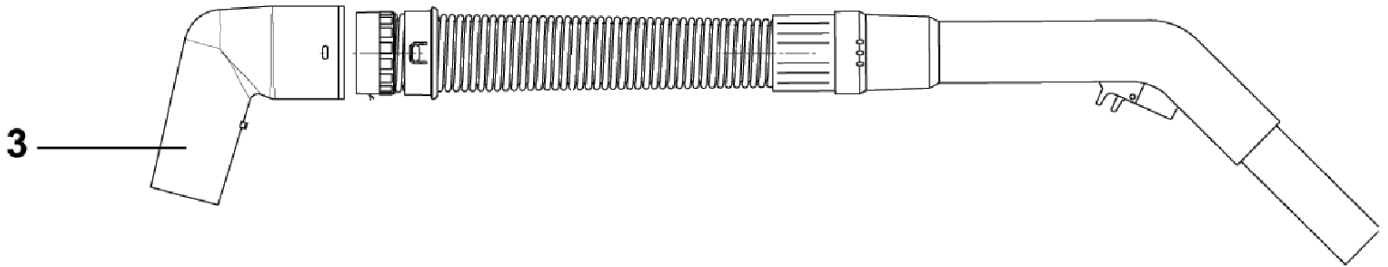
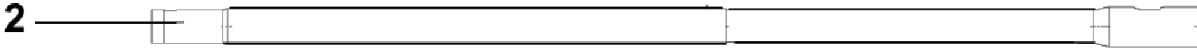
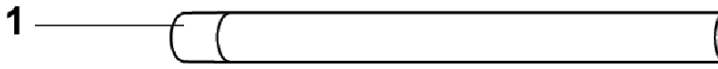
# Tubes, hose ø32 mm

GD 5, GD 10, GD 5 Battery

08-07-2009

Part List ID  
B106315

15



# Tubes, hose ø32 mm

GD 5, GD 10, GD 5 Battery

08-07-2009

Part List ID

B106315

16

Pos	Part no.	Qty	Description	EAN
1	011 6431 500	1	EXTENSION TUBE ALUMINIUM	7319519631
2	011 8130 500	1	TELESCOPIC TUBE ALUMINIUM	7319519631
3	147 1236 500	1	HOSE CONICAL COMPLETE	7319519665
4	140 7584 500	1	HOSE HANDLE CPL.	7319519631
5	147 1085 500	1	HOSE COUPLING CPL.	7319519667

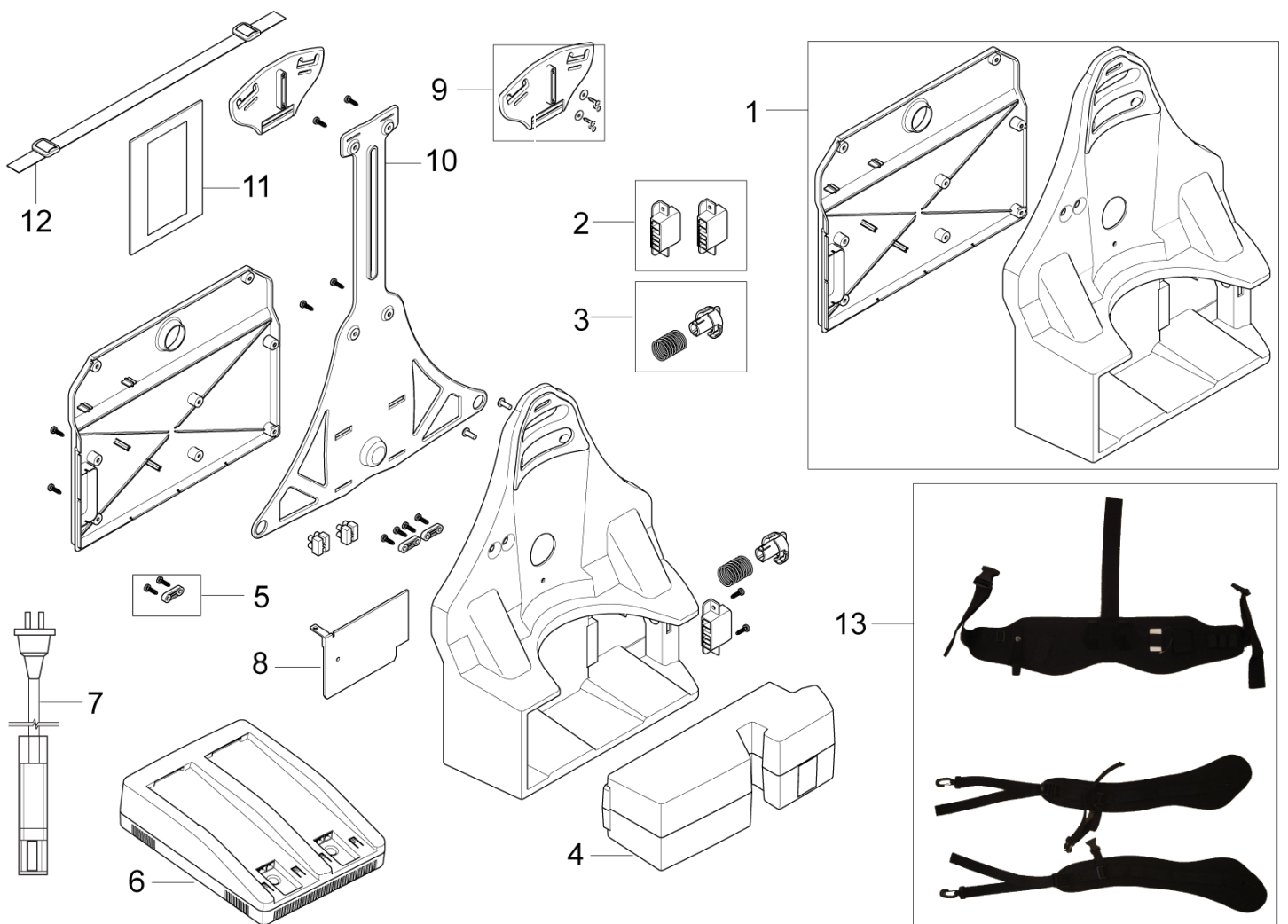
# Overview GD 5 Battery

GD 5, GD 10, GD 5 Battery

08-07-2009

Part List ID  
GD5B02

17



# Overview GD 5 Battery

GD 5, GD 10, GD 5 Battery

08-07-2009

Part List ID

GD5B02

18

Pos	Part no.	Qty	Description	EAN
1	147 1442 500	1	HOLDER BATTERY KIT	7319519675
2	147 1209 500	1	CONTACT HOUSING 5-PIN KIT	7319519663
3	147 1444 500	1	LOCK BATTERY KIT	7319519675
4	147 1197 000	1	BATTERY FOR GD 911	7319519663
5	140 6560 500	1	ANTI STRAIN CLIP	7319519640
6	147 1202 000	1	CHARGER FOR GD 911	7319519663
7	147 1208 500	1	CORD CHARGER EU KIT	7319519663
7	147 1208 510	1	CORD CHARGER UK KIT	7319519663
7	147 1208 520	1	CORD CHARGER AUS KIT	7319519663
7	147 1208 530	1	CORD CHARGER US KIT	7319519663
7	147 1208 540	1	CORD CHARGER JP KIT	7319519663
8	147 1199 500	1	CONTROL BOARD KIT	7319519663
9	147 1092 500	1	ADJUSTING PLATE	7319519665
10	147 1091 500	1	HARNES SUPPORT	7319519665
11	147 1248 500	1	PADDING BACK PLATE	7319519665
12	147 1247 500	1	LIFTING STRAP	7319519665
13	147 1246 500	1	HARNES PREMIUM	7319519665

# Container parts GD 5 Battery

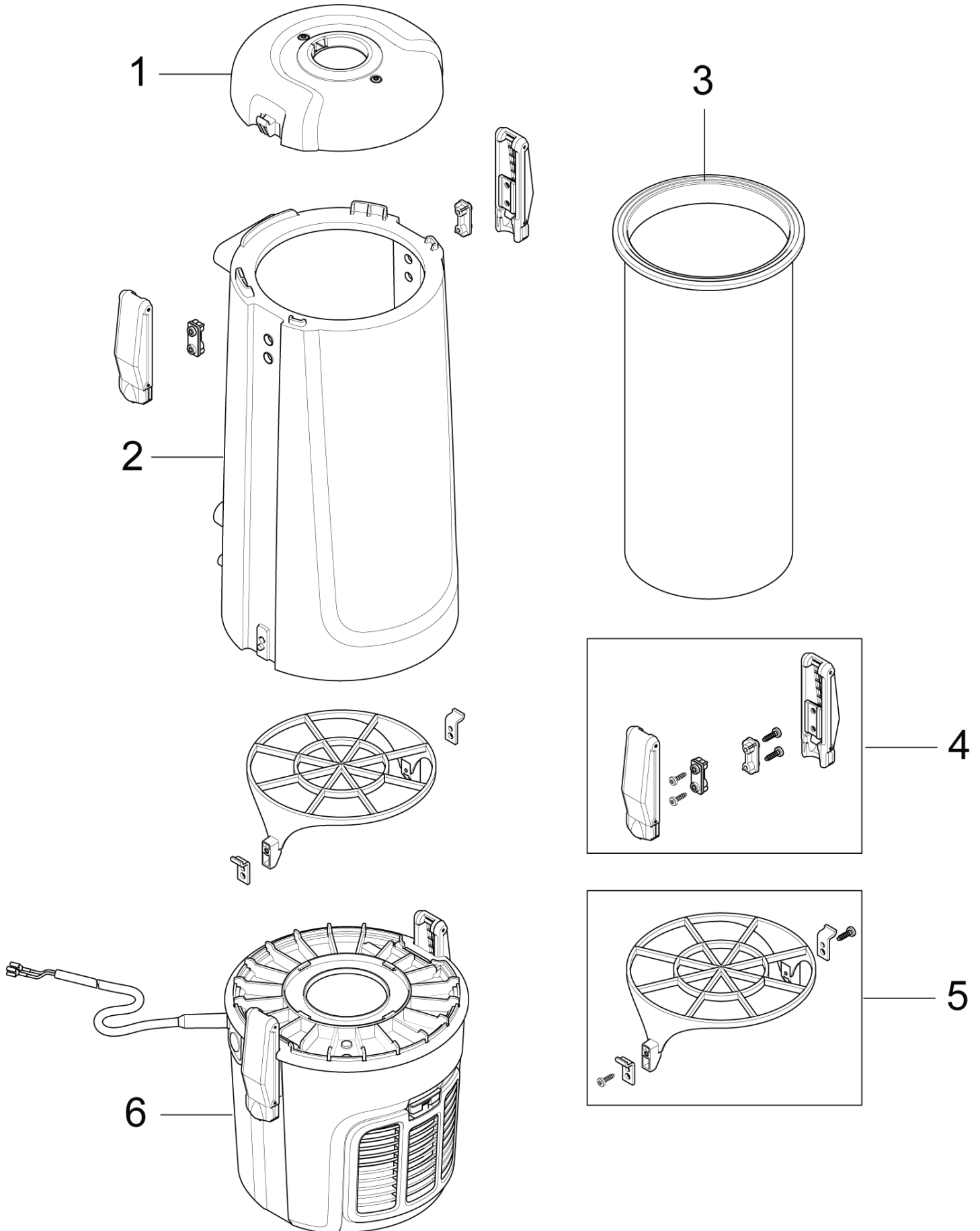
GD 5, GD 10, GD 5 Battery

08-07-2009

Part List ID

GD5B04

19



# Container parts GD 5 Battery

GD 5, GD 10, GD 5 Battery

08-07-2009

Part List ID

GD5B04

20

Pos	Part no.	Qty	Description	EAN
1	147 1077 500	1	OUTER LID 5L LIGHT GREY	7319519665
1	147 1080 500	1	OUTER LID 10 L LIGHT GREY	7319519665
2	147 1076 500	1	CONTAINER 5L LIGHT GREY	7319519665
2	147 1079 500	1	CONTAINER 10L LIGHT GREY	7319519665
3	147 1099 500	1	SACK FILTER 10L	7319519665
3	147 1100 500	1	SACK FILTER 5L	7319519665
4	147 1101 500	1	LATCH KIT	7319519665
5	147 1115 500	1	BASKET SACK FILTER	7319519665
6		1	USE LINK	Motor parts

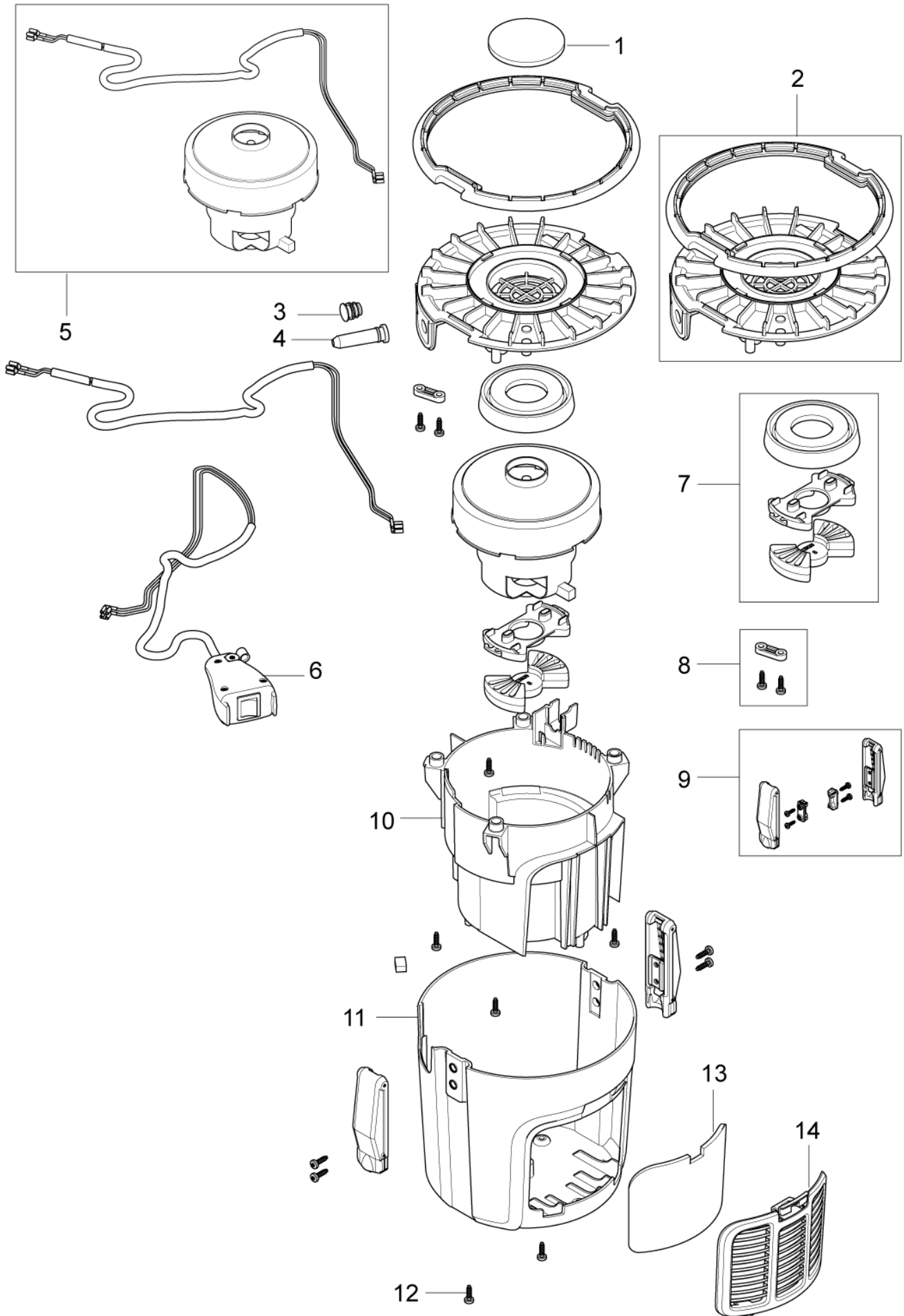
# Motor parts GD 5 Battery

GD 5, GD 10, GD 5 Battery

08-07-2009

Part List ID  
GD5B06

21



# Motor parts GD 5 Battery

GD 5, GD 10, GD 5 Battery

08-07-2009

Part List ID

GD5B06

22

Pos	Part no.	Qty	Description	EAN
1	147 1095 500	1	PREFILTER Kit with 3 pcs.	7319519665
2	147 1086 500	1	CHASSIS DARK GREY	7319519665
4	093 1027 010	1	CABLE PROTECTION USA	7319519353
5	147 1196 510	1	FAN UNIT 24V GD5 BATTERY	7319519675
6	147 1105 510	1	SWITCH CPL.GD5 BATTERY	7319519675
7	147 0560 500	1	MOTOR SUSPENSION KIT	7319519647
8	140 6560 500	1	ANTI STRAIN CLIP	7319519640
9	147 1101 500	1	LATCH KIT	7319519665
10	147 1088 500	1	MOTOR COVER	7319519665
11	147 1075 500	1	COVER OUTER DARK GREY	7319519665
12	140 9214 040	1	SCREW PTK TORX 40X14 MM FZB	7319519418
13	147 1089 500	1	6XHAUST FILTER	7319519665
14	147 1082 500	1	GRID EXHAUST DARK GREY	7319519665

# Nozzles Ø 32mm GD 5 Battery

GD 5, GD 10, GD 5 Battery

08-07-2009

Part List ID  
GD5B08

23



1



2



3

# Nozzles Ø 32mm GD 5 Battery

GD 5, GD 10, GD 5 Battery

08-07-2009

Part List ID

GD5B08

24

Pos	Part no.	Qty	Description	EAN
1	140 8492 520	1	COMBI NOZZLE KIT	7319519636
2	140 8244 500	1	BRUSH NOZZLE KIT	7319519658
3	81140900	1	CREVICE NOZZLE KIT	7319519658

# Tube and hose Ø32mm GD 5 Battery

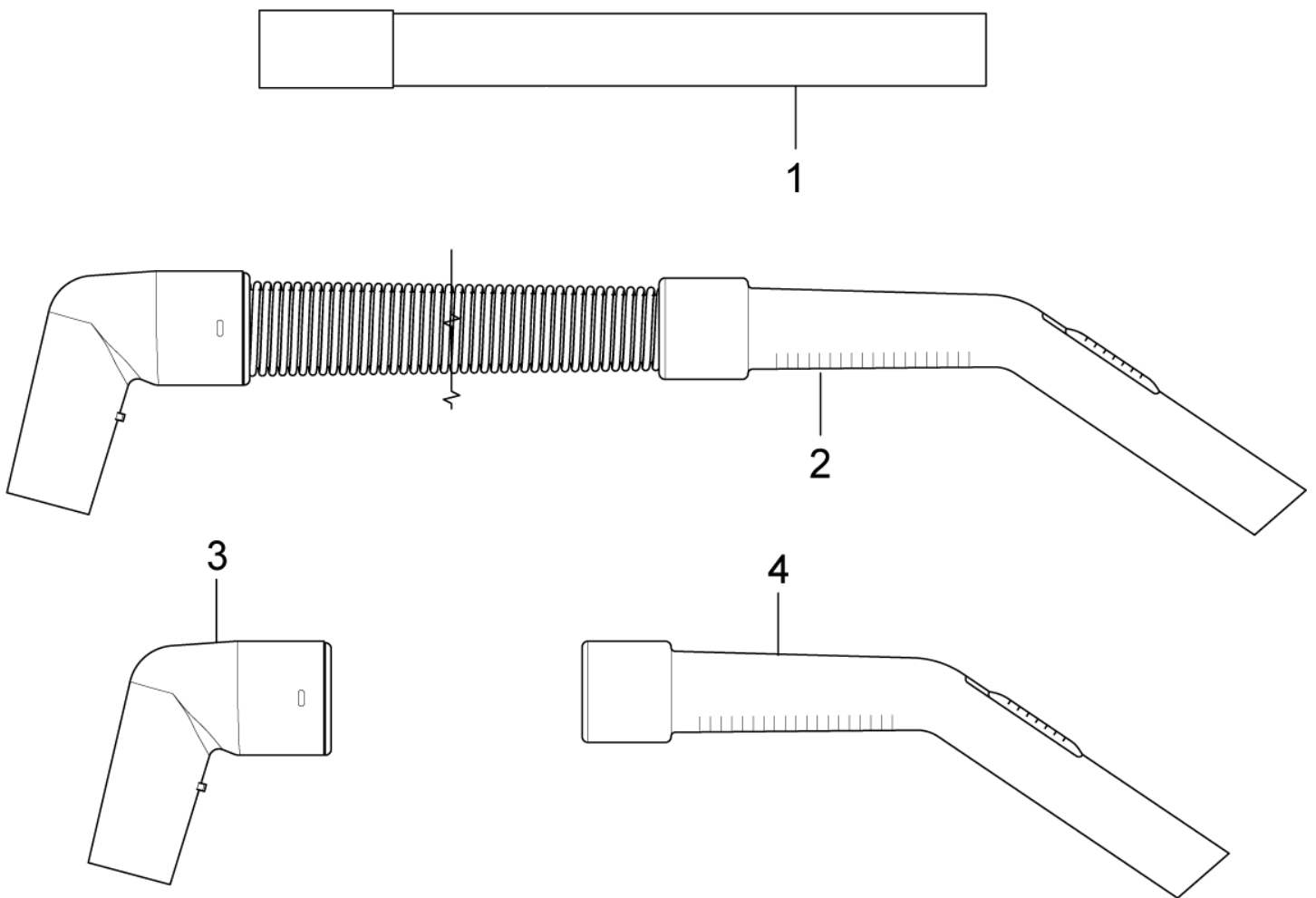
GD 5, GD 10, GD 5 Battery

08-07-2009

Part List ID

GD5B10

25



# Tube and hose Ø32mm GD 5 Battery

GD 5, GD 10, GD 5 Battery

08-07-2009

Part List ID

GD5B10

26

Pos	Part no.	Qty	Description	EAN
1	140 8246 040	1	EXTENSION TUBE STEEL D32	7319519607
2	147 1449 500	1	CONDUCTIVE HOSE CONICAL CPL.	7319519675
3	147 1085 500	1	HOSE COUPLING CPL.	7319519667
4	21640505	1	BENT PLASTIC TUBE BLACK	7319519620