



Electronic Service Manuals

This electronic document is provided as a service to our customers. We do not create the contents of the information contained in this document. Should you have detailed questions pertaining to the information contained in this document, you may contact Michco, or the manufacturer which provided the original information in this electronic deliverable. Michco's only part in this electronic deliverable was the electronic assembly process. By providing this manual on line we are not guaranteeing parts availability.

You may contact Michco through the following methods:

Phone (517) 484-9312 or (800) 331-3339

2011 N. High St. -- Lansing, Michigan -- 48906

Fax: (517) 484-9836

Email: CustServe@Michco.com

Web site: www.Michco.Com

Parts Web site: www.FloorMachineParts.Com

Order Parts on Line at:

www.FloorMachineParts.Com

Directly to Parts & Service:

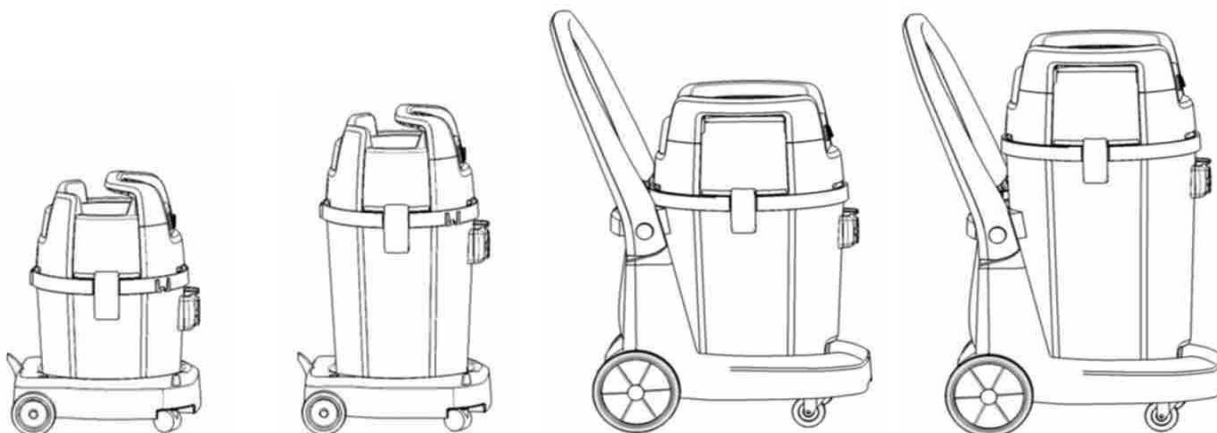
By Email: **Shop@Michco.com**

By Fax: (517) 702-2041

By Voice: Use numbers above.

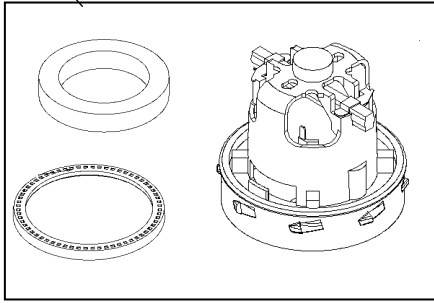
Serving the Cleaning Industry Since 1922

Notice: All copyrighted material remains property of original owners, all trademarks are property of respective owners. Manuals are subject to Manufacturer's reproduction limitations. Originals or reproductions were provided by manufacturers through a request. We make no warranty as to the correctness of information provided in this document and you assume all risk. By placing these manuals on line we are not declaring our corporation to be an manufacturer authorized dealer or provider, please check our web site for authorized manufacturers we represent.

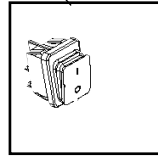
SPARE PARTS LIST**BOOK B****GD 320, GWD 320, GWD 335, GWD 350, GWD 375****B****5.9.3****1****DESCRIPTION****PLAN**

Motor top, GD 320 (Dry)	B - 5.9.3 - 2
Motor top, GWD 320, GWD 335, GWD 335 Steel	B - 5.9.3 - 4
Motor top, GWD 320 Craftsman , GWD 335 Craftsman	B - 5.9.3 - 6
Motor top, one motor GWD 350, GWD 375, GWD 375 Steel	B - 5.9.3 - 8
Motor top, two motor GWD 350-2, GWD 375-2, GWD 375-2 Steel	B - 5.9.3 - 10
Container, GD 320, GWD 320, GWD 335, GWD 335 Steel	B - 5.9.3 - 12
Container, GWD 350, GWD 375, GWD 375 Steel	B - 5.9.3 - 14
Trolley, GD 320, GWD 320, GWD 335, GWD 335 Steel, GWD 350, GWD 375, GWD 375 Steel	B - 5.9.3 - 16
Front nozzle, GWD 350, 350-2, GWD 375, 375-2, 375 Steel	B - 5.9.3 - 18
Nozzles, tubes and hoses	B - 5.9.3 - 20
Filters and dustbags	B - 5.9.3 - 22

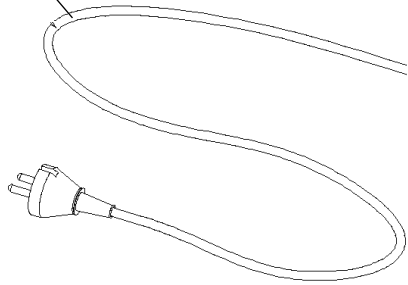
1



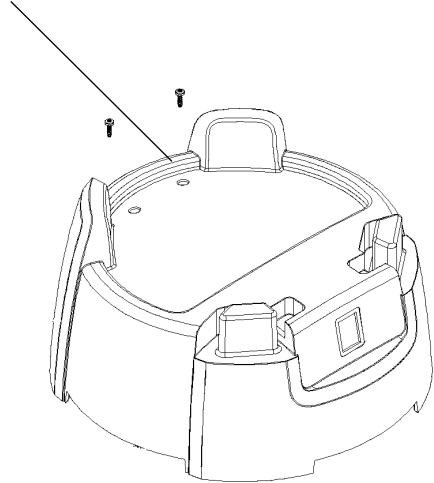
3



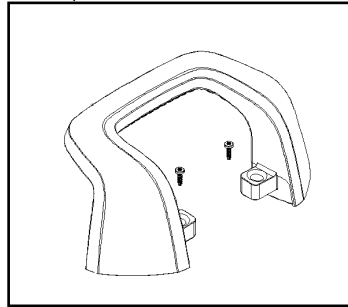
4



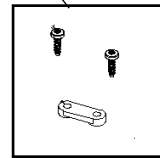
5



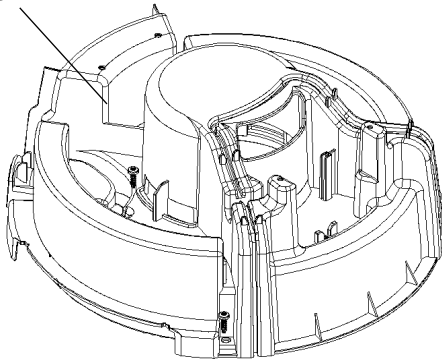
7



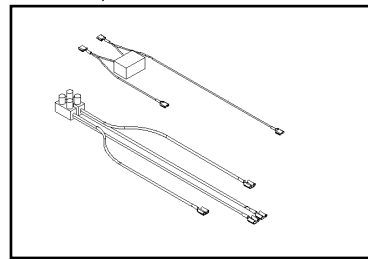
6



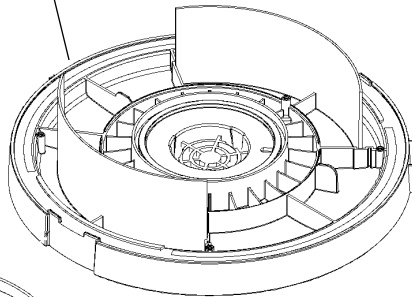
8



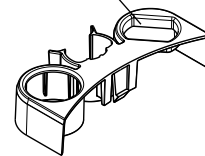
9



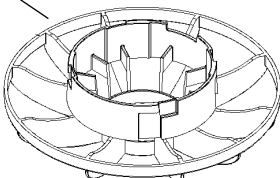
10



12



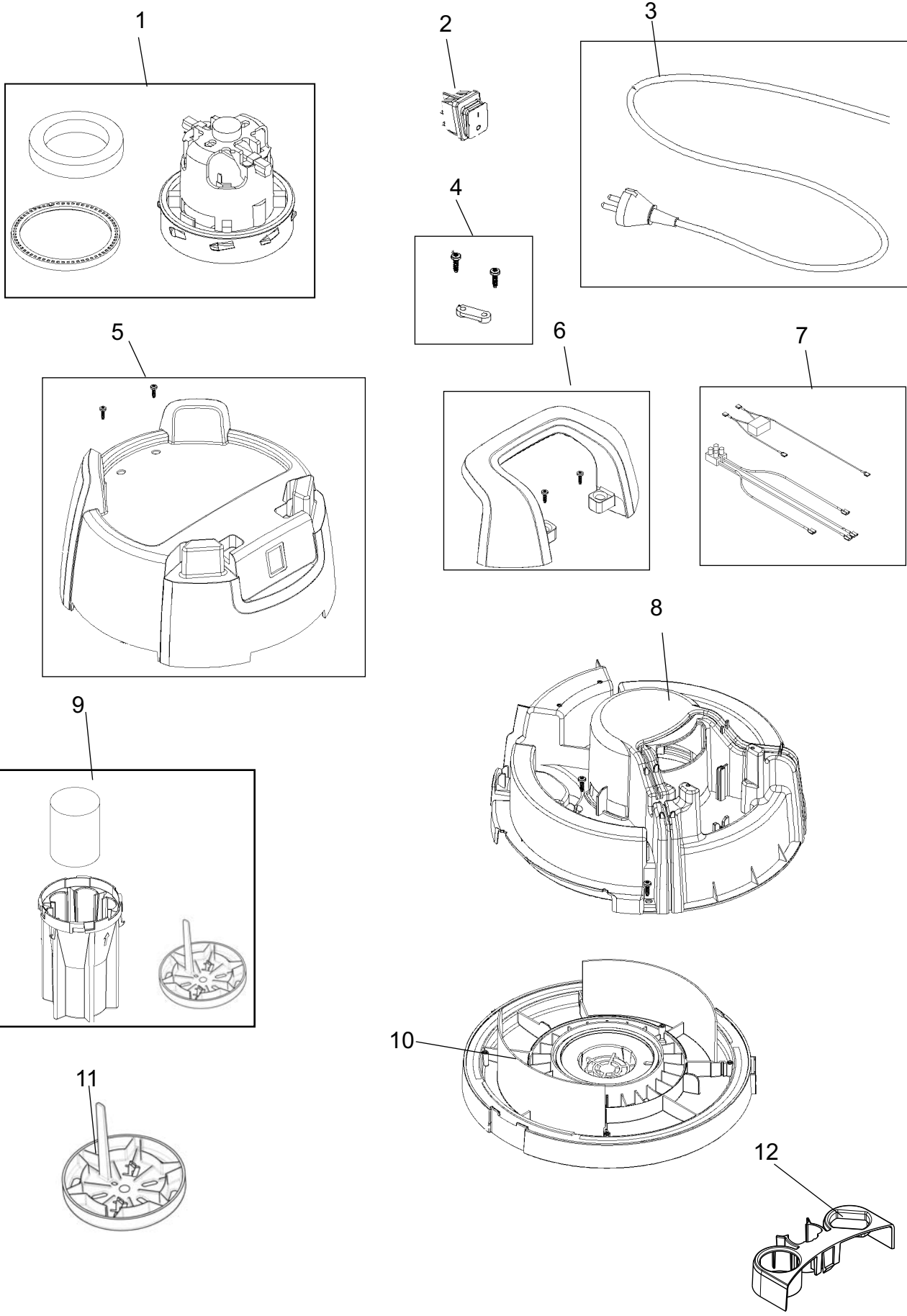
11



04-09	SPARE PARTS LIST	BOOK B		
07-02	GD 320	B	5.9.3	3

Item.No.	Part No	Qty.	Description	Note	EAN code
1	>> 140 8689 500	1	Fan unit By-pass 220-240V	Gaskets incl.	7319519639919
1	>> 140 8689 510	1	Fan unit By-pass 100-120V	Gaskets incl.	7319519639926
3	140 9537 500	2	Switch two pole		7319519639896
4	12222501	1	Cord set EU 10M		5715492008056
4	12222503	1	Cord set UK 10 M		5715492008063
4	12222506	1	Cord set AU/NZ		5715492008070
4	12003805	1	Cord set JP/US		5715492003099
5	140 8652 500	1	Cover outer N-A	Screws incl.	7319519640670
6	140 6560 500	1	Anti strain clip	Screws incl.	7319519640632
7	140 8650 500	1	Handle N-A	Screws incl.	7319519640687
8	140 8653 500	1	Cover fan unit		7319519640663
9	140 7042 500	1	Internal wire		7319519640694
10	140 8664 500	1	Chassis		7319519640656
11	140 8659 500	1	Basket GD 320		7319519640649
12	>> 140 8698 510	1	Holder accessorie		7319519646917

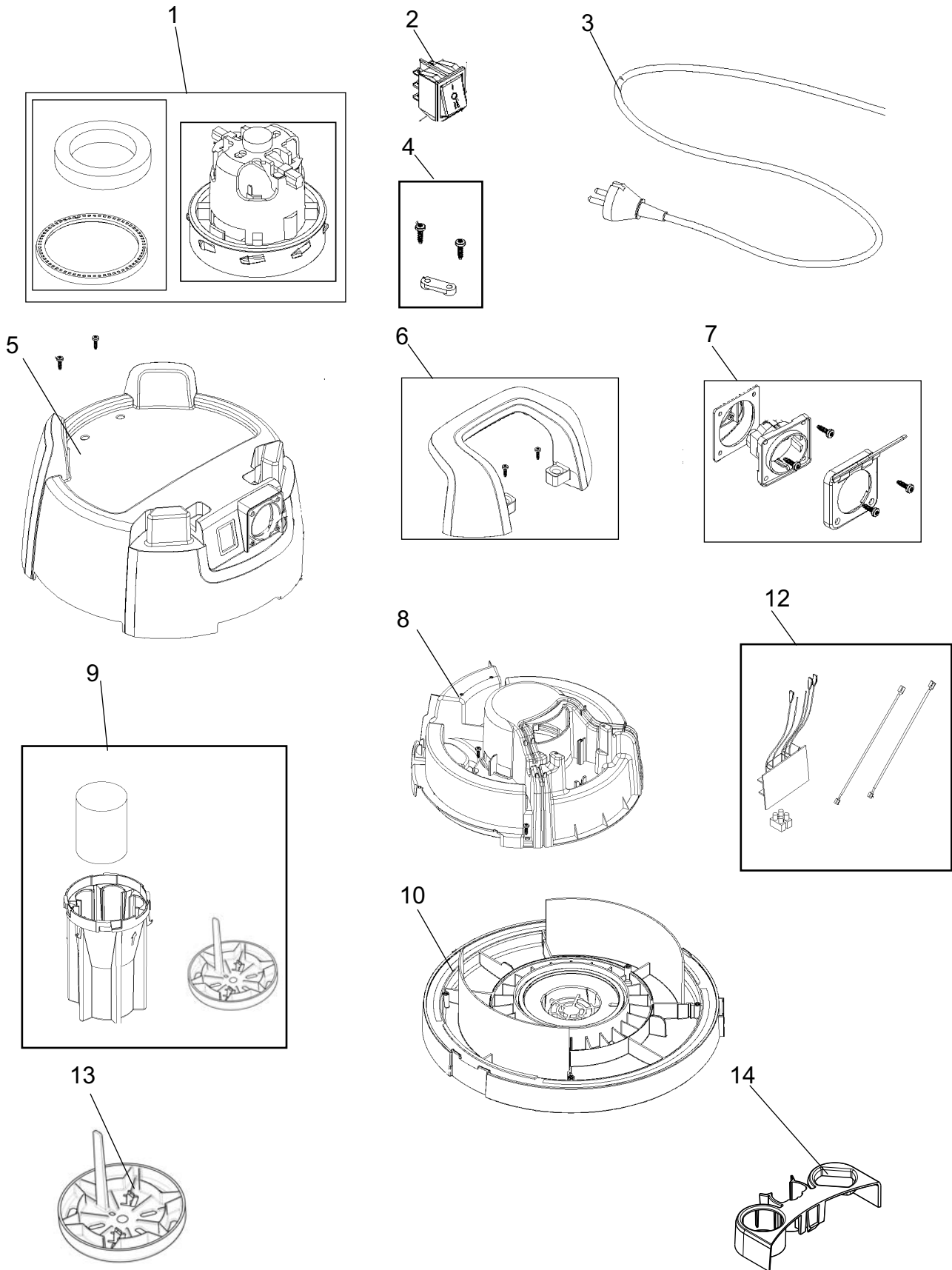
>>Means: New or changed ref. number or/and changed/new specifications.



06-10	MOTOR TOP- ONE MOTOR	BOOK B		
07-02	GWD 320, GWD 335, GWD 335 STEEL	B	5.9.3	5

<u>Item.No.</u>	<u>Part No</u>	<u>Qty.</u>	<u>Description</u>	<u>Note</u>	<u>EAN code</u>
1	140 8689 500	1	Fan unit By-pass 220-240V	Gaskets incl.	7319519639919
1	140 8689 510	1	Fan unit By-pass 100-120V	Gaskets incl.	7319519639926
2	140 9537 500	2	Switch two pole		7319519639896
3	12222501	1	Cord set EU 10M		5715492008056
3	12222503	1	Cord set UK 10 M		5715492008063
3	12222506	1	Cord set AU/NZ		5715492008070
3	12003805	1	Cord set JP/US		5715492003099
4	140 6560 500	1	Anti strain clip	Screws incl.	7319519640632
5	140 8652 500	1	Cover outer N-A	Screws incl.	7319519640670
6	140 8650 500	1	Handle N-A	Screws incl.	7319519640687
7	140 7042 500	1	Internal wire		7319519640694
8	140 8653 500	1	Cover fan unit		7319519640663
9	>>140 8680 500	1	Float basket, kit	Adapter/valve	7319519640700
10	140 8664 500	1	Chassis		7319519640656
11	>> 147 1119 500	1	Adapter for float basket	Wear protection	7319519660708
12	>> 140 8698 510	1	Holder accessorie		7319519646917

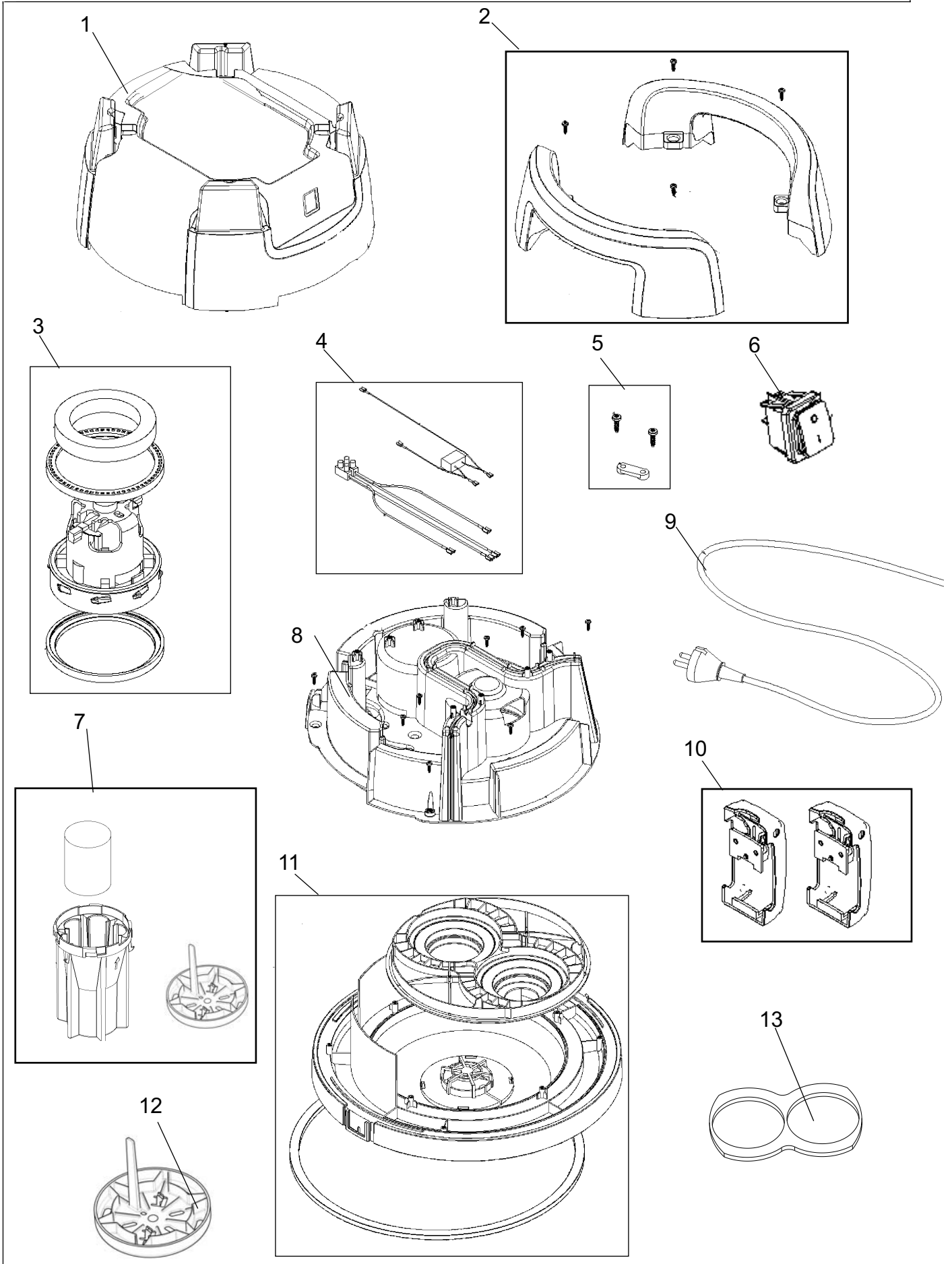
>>Means: New or changed ref. number or/and changed/new specifications.



06-10	MOTOR TOP - ONE MOTOR	BOOK B		
07-02	GWD 320 CRAFTSMAN, GWD 335 CRAFTSMAN	B	5.9.3	7

Item.No.	Part No	Qty.	Description	Note	EAN code
1	140 8689 500	1	Fan unit By-pass 220-240V		7319519639919
1	140 8689 510	1	Fan unit By-pass 100-120V		7319519639926
2	140 8677 500	2	Switch three pole		7319519640755
3	140 5669 500	1	Cord set EU 10 m	Craftsman	7319519640748
3	140 6777 500	1	Cord set UK 10 m	Craftsman	7319519640762
3	140 6777 510	1	Cord set AU/NZ 10 m	Craftsman	7319519640779
4	140 6560 500	1	Anti strain clip	Screws incl.	7319519640632
5	140 8666 500	1	Cover outer N-A	Screws incl.	7319519641196
6	140 8650 500	1	Handle N-A	Screws incl.	7319519640687
7	140 8690 500	1	Electrical outlet for EU-plug		7319519640786
7	140 8690 510	1	Electrical outlet for UK-plug		7319519640793
7	140 8690 520	1	Electrical outlet for AU/NZ-plug		7319519640809
8	140 8653 500	1	Cover fan unit		7319519640663
9	>> 140 8680 500	1	Float basket	Valve and adapter	7319519640700
10	140 8664 500	1	Chassis		7319519640656
12	140 8679 500	1	Curcuit board	Internal wires incl.	7319519640816
13	>>147 1119 500	1	Adapter for float basket	Wear protection	7319519660708
14	>> 140 8698 510	1	Holder accessorie		7319519646917

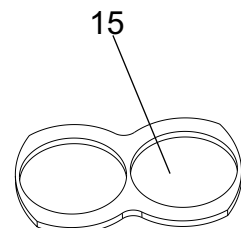
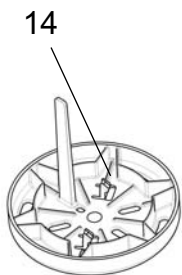
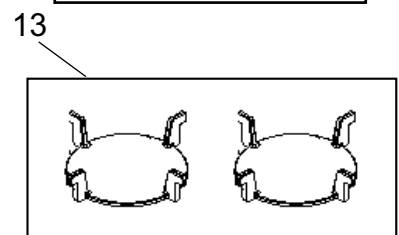
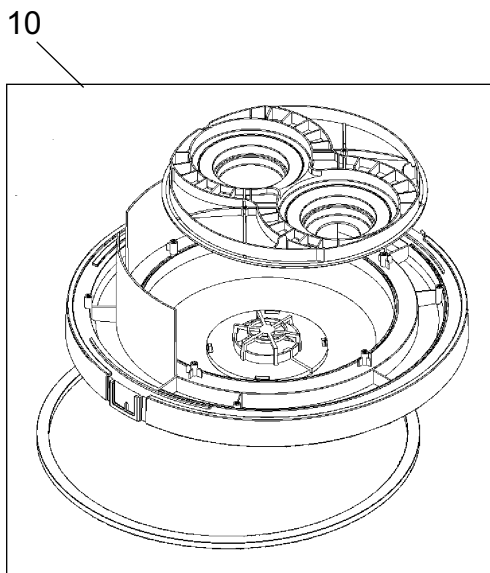
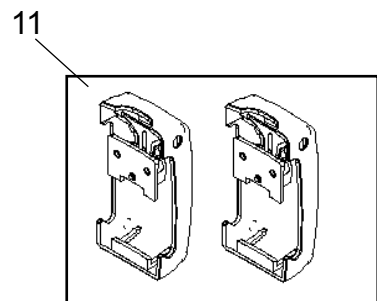
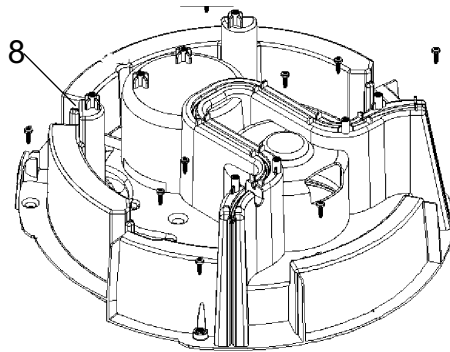
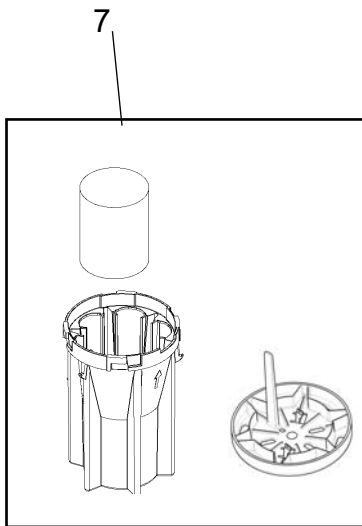
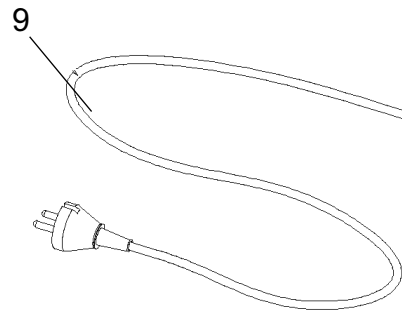
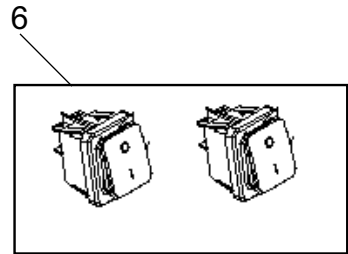
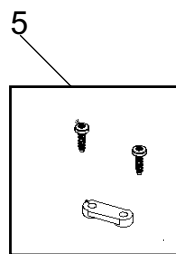
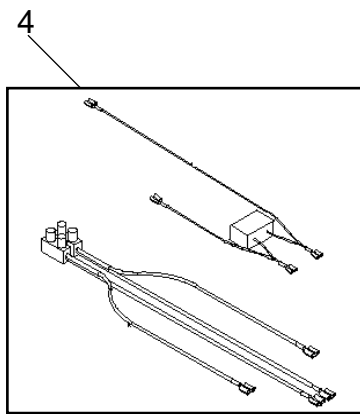
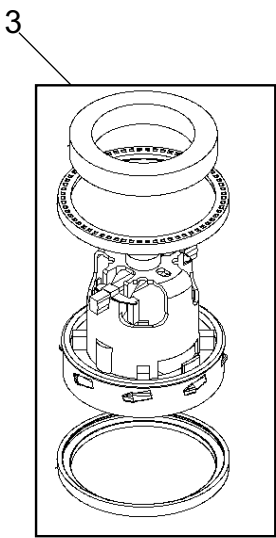
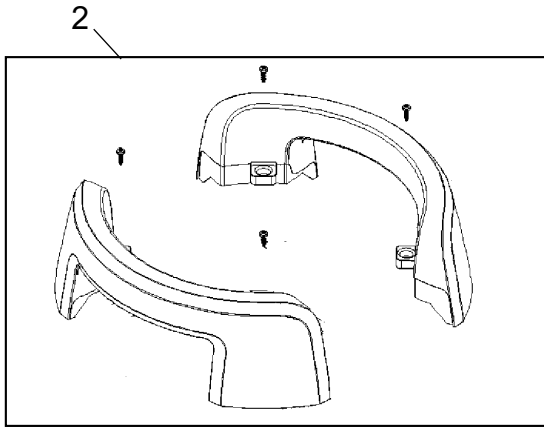
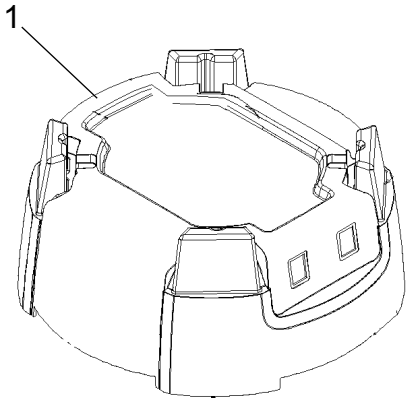
>>Means: New or changed ref. number or/and changed/new specifications.



04-06	MOTOR TOP- ONE MOTOR	BOOK B		
06-10	GWD 350, GWD 375	B	5.9.3	9

<u>Item.No.</u>	<u>Part No</u>	<u>Qty.</u>	<u>Description</u>	<u>Note</u>	<u>EAN code</u>
1	140 9533 500	1	Cover outer GWD 350/375		7319519640830
2	140 9527 500	2	Handle GWD 350/375	Screws incl.	7319519640823
3	140 8689 500	1	Fan unit 220-240V BP	Gaskets incl.	7319519639919
3	140 8689 510	1	Fan unit 100-127V BP	Gaskets incl.	7319519639926
4	140 7042 500	1	Internal wire		7319519640694
5	140 6560 500	1	Anti strain clip	Screws incl.	7319519640632
6	140 9537 500	2	Switch two pole		7319519639896
7	>> 140 8680 500	1	Float basket	Adapter/Valve	7319519640700
8	140 9534 500	1	Cover fan unit GWD 350/375		7319519640847
9	12222501	1	Cord set EU 10M		5715492008056
9	12222503	1	Cord set UK 10 M		5715492008063
9	12222506	1	Cord set AU/NZ		5715492008070
9	12003805	1	Cord set JP/US		5715492003099
10	140 8691 500	2	Latch 2-p		7319519639889
11	140 9508 500	1	Chassis GWD 350/375	Sealing incl.	7319519640854
12	>>147 1119 500	1	Adapter for float basket	Wear protection	7319519660708
13	>>147 9529 500	1	Sound absorber		7319519642056

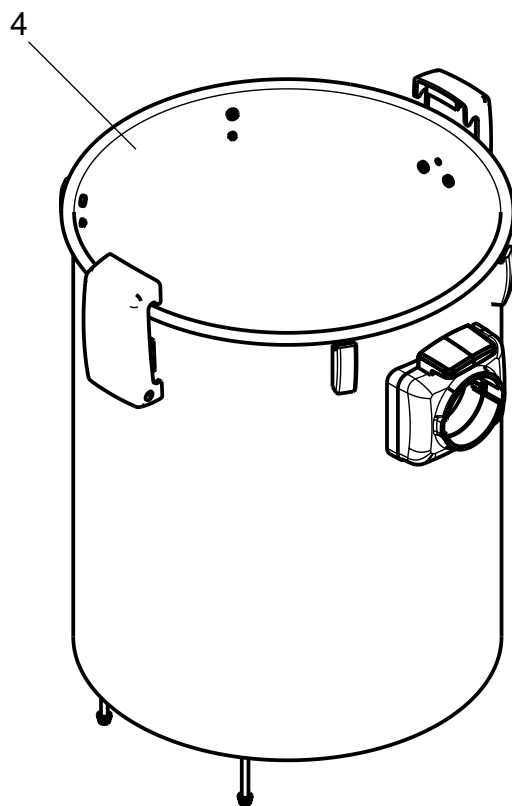
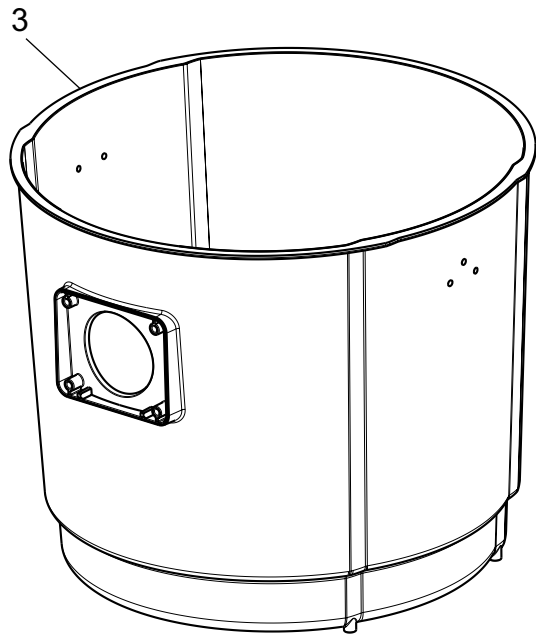
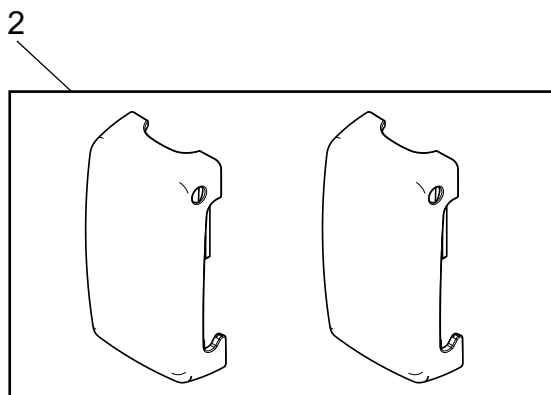
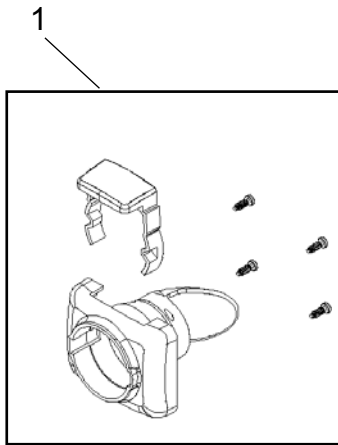
>>Means: New or changed ref. number or/and changed/new specifications.



04-06	MOTOR TOP- TWO MOTOR	BOOK B		
06-10	GWD 350-2, GWD 375-2, GWD 375-2 STEEL	B	5.9.3	11

<u>Item.No.</u>	<u>Part No</u>	<u>Qty.</u>	<u>Description</u>	<u>Note</u>	<u>EAN code</u>
1	140 9531 500	1	Cover outer GWD 350/375 2 fan units		7319519640885
2	140 9527 500	2	Handle GWD 350/375	Screws incl.	7319519640823
3	140 8689 500	1	Fan unit 220-240V BP	Gaskets incl.	7319519639919
3	140 8689 510	1	Fan unit 100-127V BP	Gaskets incl.	7319519639926
4	140 7620 530	1	Suppressor EU/UK/AU/NZ		7319519640892
5	140 6560 500	1	Anti strain clip	Screws incl.	7319519640632
6	140 9537 500	2	Switch two pole		7319519639896
7	140 8680 500	1	Float basket		7319519640700
8	140 9523 500	1	Cover fan unit GWD 350/375 2-motor version		7319519640908
9	12222501	1	Cord set EU 10M		5715492008056
9	12222503	1	Cord set UK 10 M		5715492008063
9	12222506	1	Cord set AU/NZ		5715492008070
9	12003805	1	Cord set JP/US		5715492003099
10	140 9508 510	1	Chassis GWD 350-2/375-2 Two motor version		7319519640861
11	140 8691 500	2	Latch 2-p		7319519639889
13	140 9526 500	2	Valve disc GWD 350/375		7319519640878
14	>>147 1119 500	1	Adapter for float basket	Wear protection	7319519660708
15	>>147 9529 500	1	Sound absorber		7319519642056

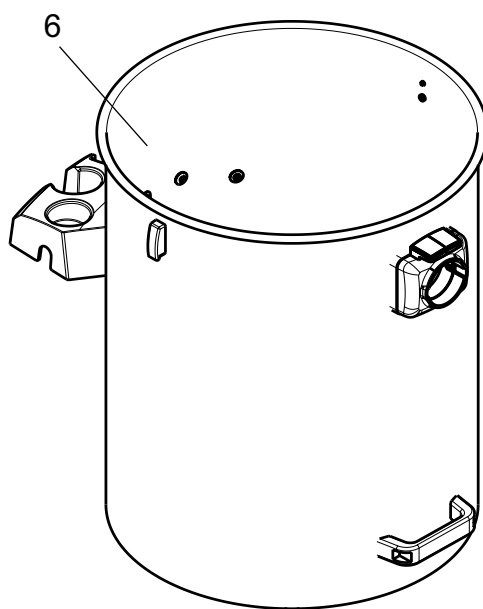
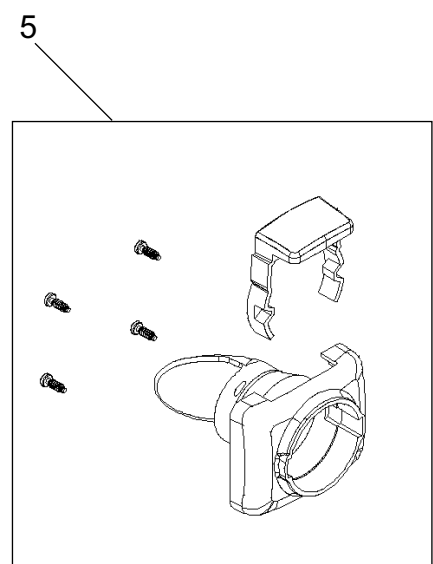
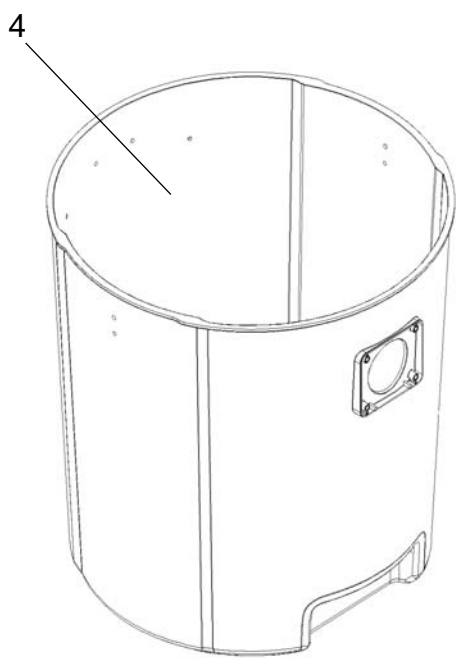
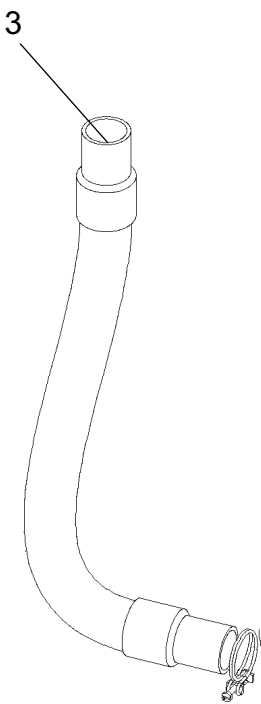
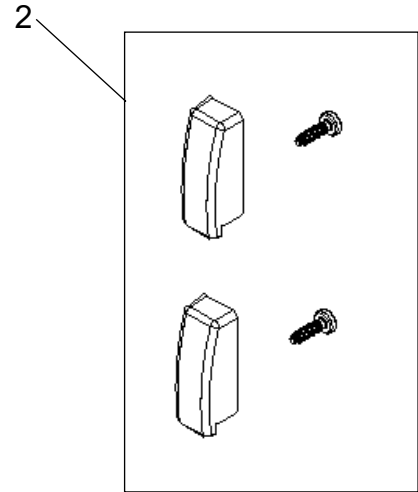
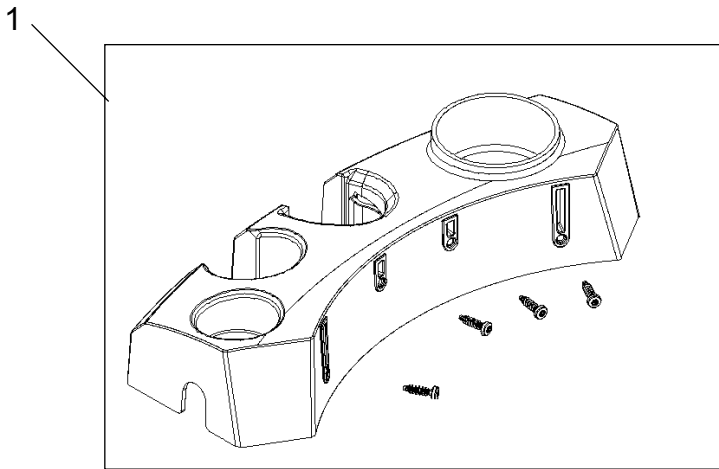
>>Means: New or changed ref. number or/and changed/new specifications.



04-06	CONTAINER	BOOK B		
06-10	GD 320, GWD 320, GWD 335, GWD 335 STEEL	B	5.9.3	13

<u>Item.No.</u>	<u>Part No</u>	<u>Qty.</u>	<u>Description</u>	<u>Note</u>	<u>EAN code</u>
1	140 7204 500	1	Inlet GWD 300-series		7319519640939
2	140 8691 500	2	Latches 2-p, plastic	320/335	7319519639889
3	140 8660 500	1	Container, plastic 20 L	Screws incl.	7319519640700
3	140 8672 500	1	Container, plastic 35 L	Screws incl.	7319519640922
4	>>147 1122 500	1	Container, steel 35 L	Screws incl.	7319519660715

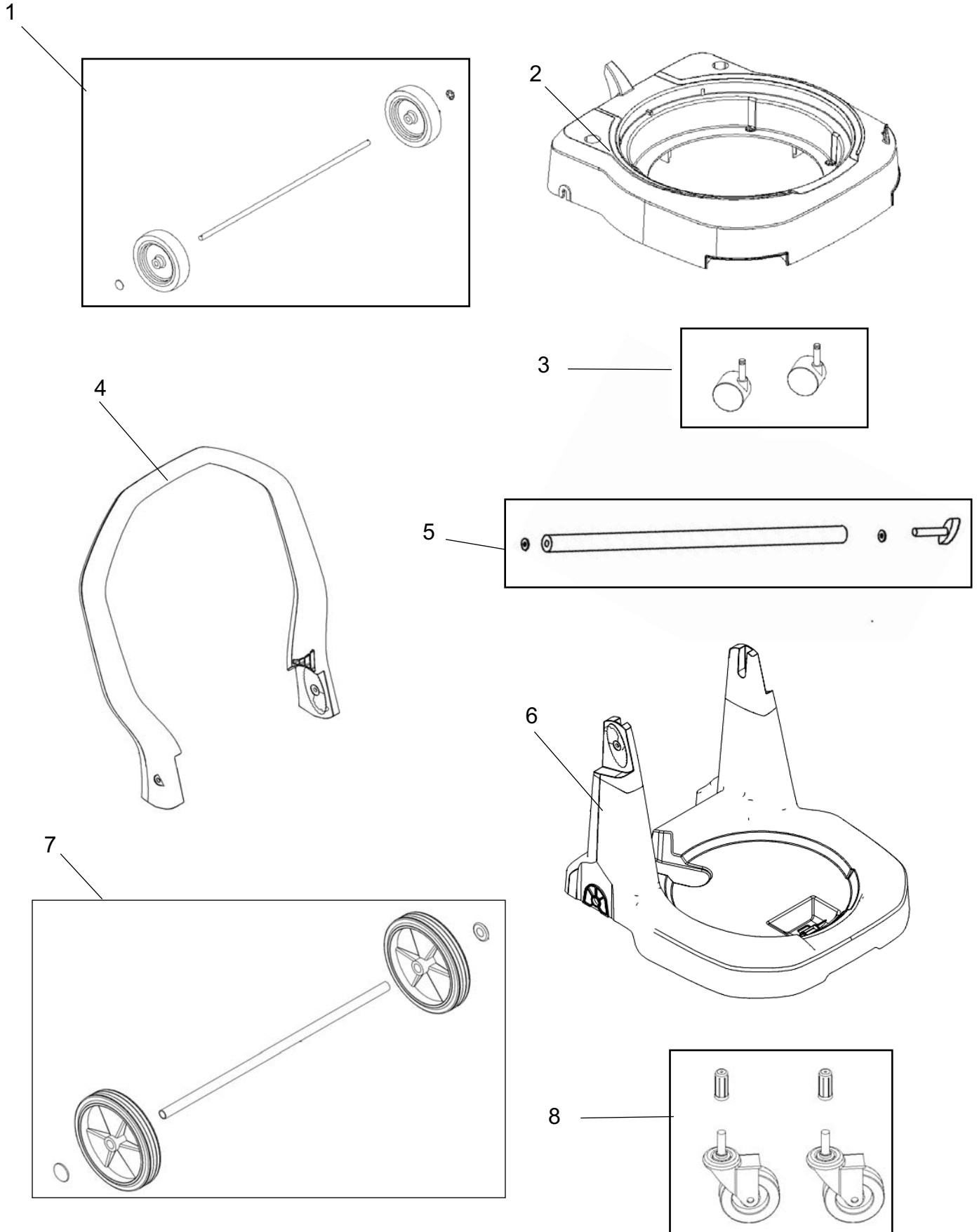
>>Means: New or changed ref. number or/and changed/new specifications.



04-06	CONTAINER	BOOK B		
06-10	GWD 350, GWD 375, GWD 375 STEEL	B	5.9.3	15

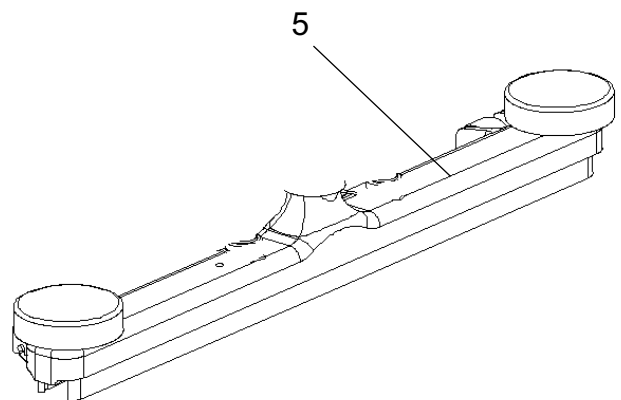
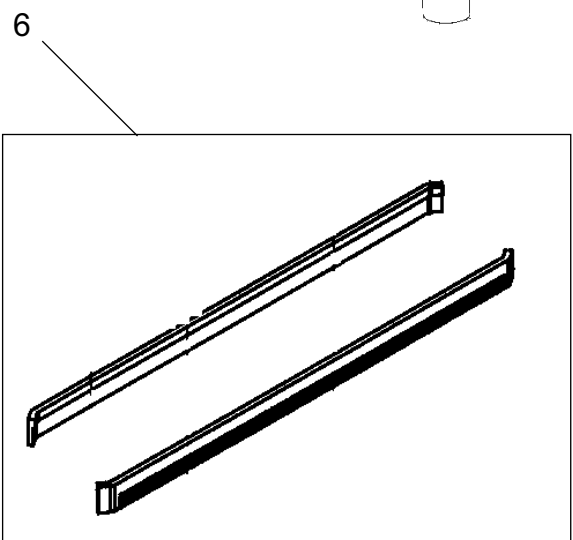
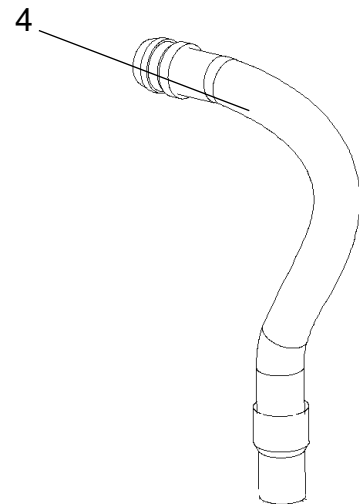
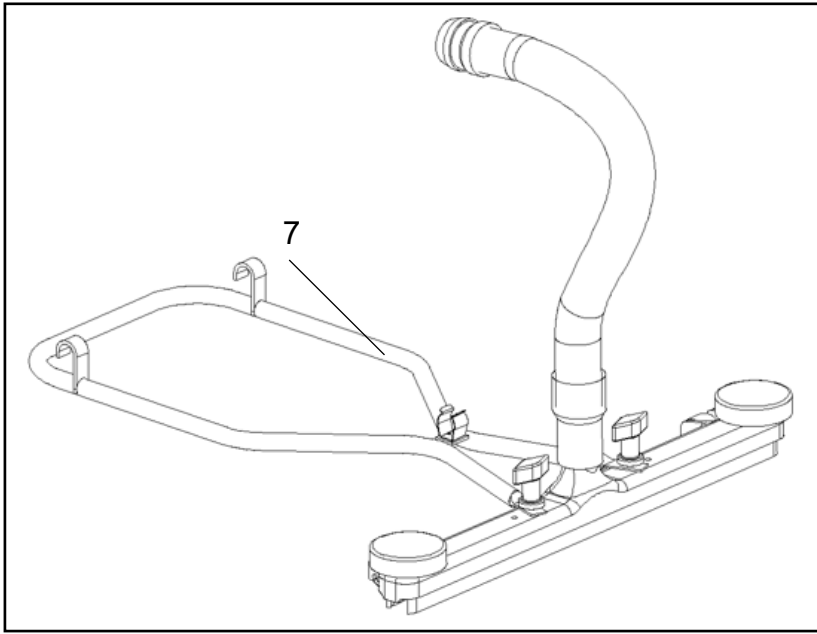
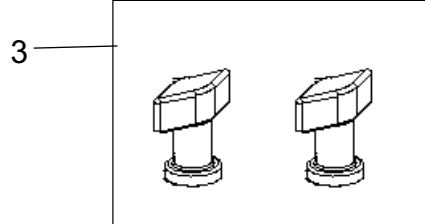
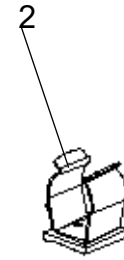
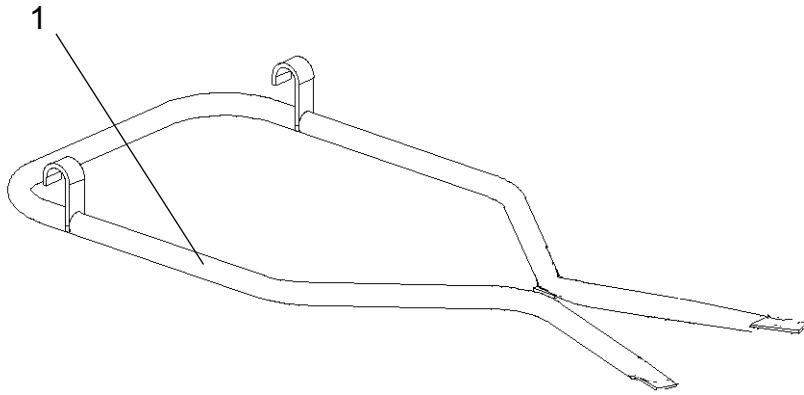
<u>Item.No.</u>	<u>Part No</u>	<u>Qty.</u>	<u>Description</u>	<u>Note</u>	<u>EAN code</u>
1	140 9517 500	1	Bracket, container	Screws incl.	7319519640977
2	140 8685 500	2	Hook container	Screws incl.	7319519640984
3	140 7604 500	1	Hose 32x530	GWD /375	7319519640946
4	140 9515 500	1	Container, plastic 50L	No drain outlet	7319519640960
4	140 9514 500	1	Container, plastic 75L	Drain outlet	7319519640991
5	140 7204 500	1	Inlet GWD 300-series		7319519640939
6	>> 147 1123 500	1	Container steel, 75 L		7319519660746

>>Means: New or changed ref. number or/and changed/new specifications.



04-06	TROLLEYS	BOOK B		
	GD 320, GWD 320, GWD 335, GWD 350 & GWD 375	B	5.9.3	17

Item.No.	Part No	Qty.	Description	Note	EAN code
GD 320 GWD 320, GWD 335					
1	140 8446 600	2	Wheel rear 2-p.	Shaft incl.	7319519639902
2	140 8662 500	1	Frame for trolley		7319519641004
3	140 6422 500	2	Wheel, link 50 mm	2 pcs.	7319519631760
GWD 350 & GWD 375					
4	140 9519 500	1	Handle, trolley		7319519641011
5	140 9544 500	1	Shaft Ø18mm	Screws incl.	
6	140 9518 500	1	Frame, trolley		7319519641035
7	140 8156 500	2	Wheel, trolley Ø200mm	Shaft incl.	7319519641042
8	140 5476 500	2	Wheel, link trolley	Sleeves incl.	7319519641059



04-06	FRONT NOZZLE	BOOK B		
05-02	GWD 350 & GWD 375 EU, UK, AU/NZ, JP	B	5.9.3	19

No.	Prod.nr.	Qty.	Description	EAN code
1	140 9546 500	1	Frame, front nozzle	7319519641110
2	140 9558 500	1	Clamp Ø 22 mm	7319519641103
3	140 7947 500	2	Nut, thumb 5/16	7319519641097
4	140 2148 500	1	Hose, d 38 MM1 1/2 ", 500mm GW 350/375	7319519641080
5	56209088	1	Squeegee 24"	
6	56105533	2	Blade, 24" 60 cm	
7 >>	140 9556 500	1	Front nozzle cpl. with hose	7319519641066

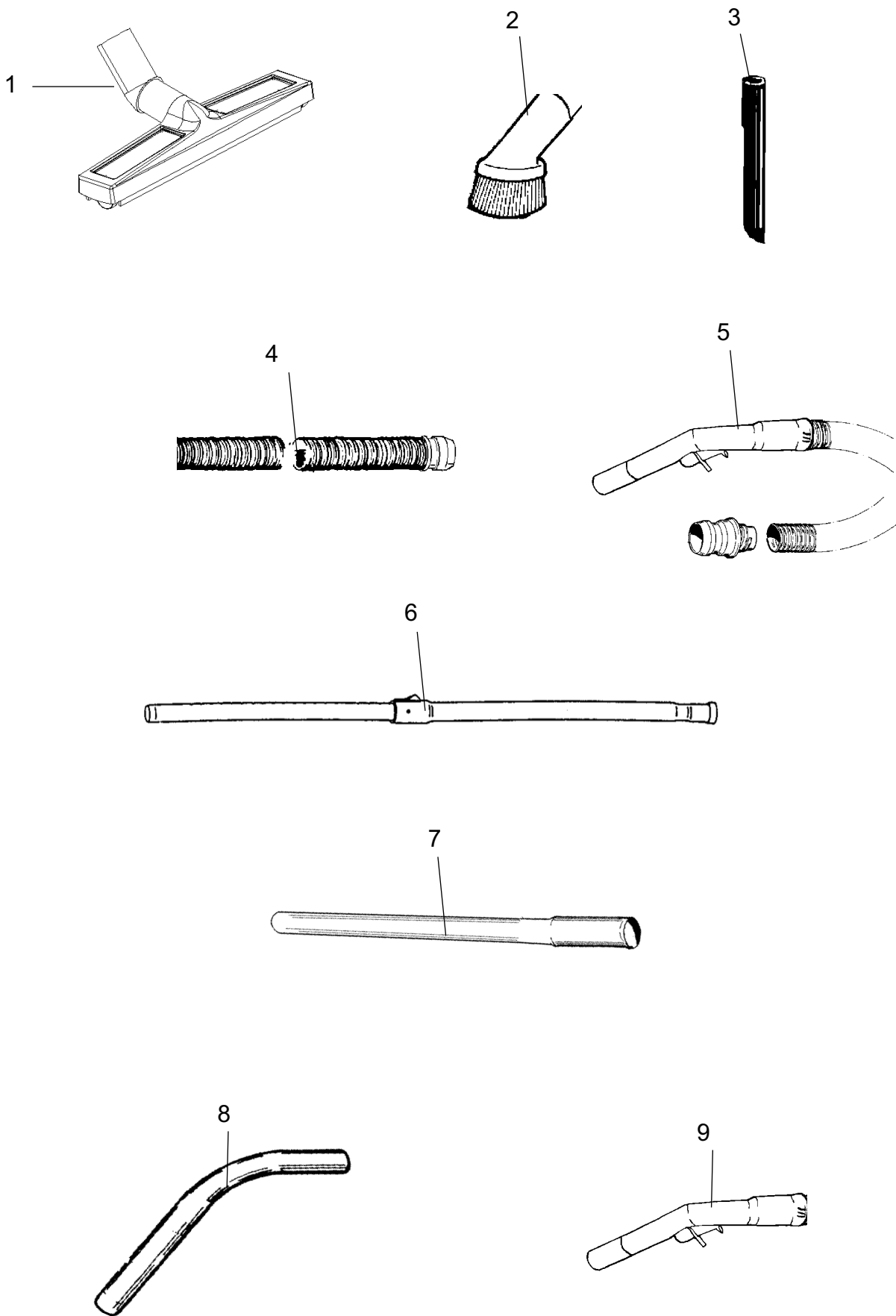
>> Means: New or changed ref. number or/and changed/new specifications

B

5.9.3

20

GD 320, GWD 320, GWD 335, GWD 350 & GWD 375

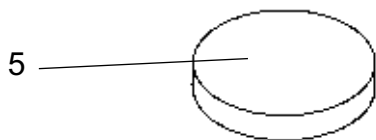
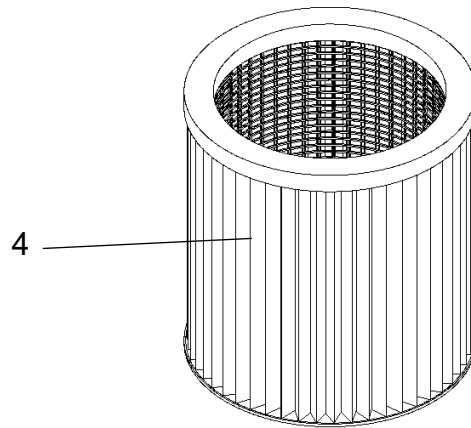
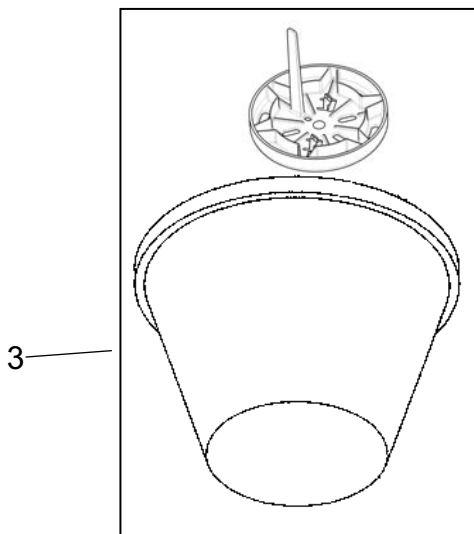
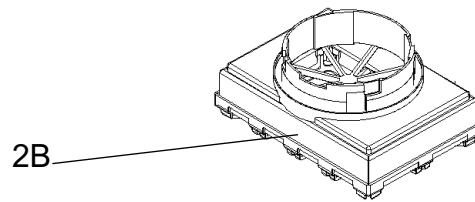
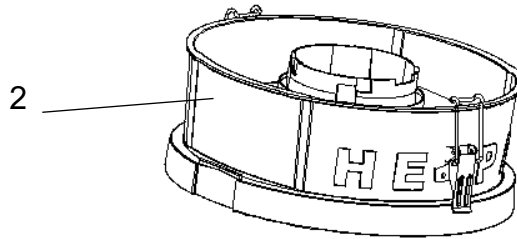
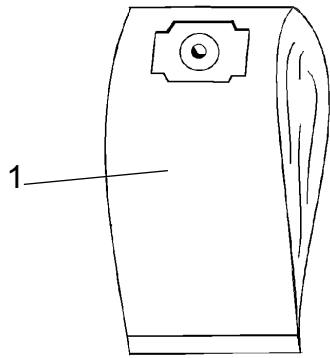


Item.No.	Part No	Qty.	Description	Note	EAN code
1	140 9598 500	1	Wet nozzle D 32 mm	Rubber strip	7319519639858
1	140 9598 520	1	Wet nozzle D 40 mm	Rubber strip	7319519641127
1	140 9598 510	1	Dry Nozzle, brush D 32 mm		7319519639865
1	140 9598 530	1	Dry nozzle, brush D 40 mm		7319519641134
2	140 8244 000	1	Brush nozzle D 32 mm		7319519412000
3	140 8012 000	1	Crevice nozzle D 32 mm		7319519607895
3	140 9599 500	1	Crevice nozzle D 40 mm	Black	7319519641141
4	140 9595 500	1	Hose plastic D 40 mm	Snap in coupl.	7319519641158
5	140 6430 500	1	Hose plastic D 32 mm	Snap in coupl.	7319519631869
6	81906500	1	Telescopic tube D 32 mm		7315492011872
7	140 8246 040	1	Extension tube steel D 32 mm	Black L=500 mm	7319519607864
7	140 9597 500	1	Extension tube steel D 40 mm	Black L=500 mm	7319519641165
8	140 9596 500	1	Hose handle D 40 mm	Mat.: Steel	7319519641172
9	140 7584 500	1	Hose handle D 32 mm	Mat.:Plastic	7319519631999

NOTE

Ø32 mm accessories for GD 320, GWD 320 GWD 335.

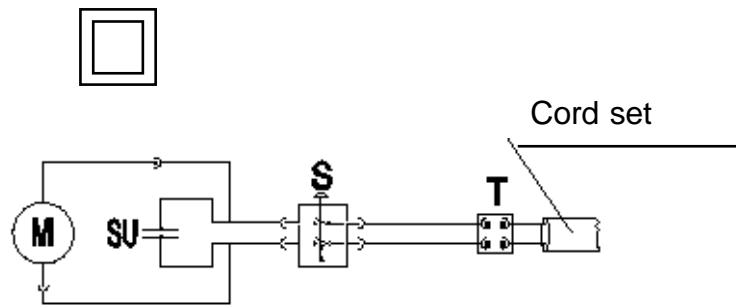
Ø40 mm accessories for GWD 350 and GWD 375.



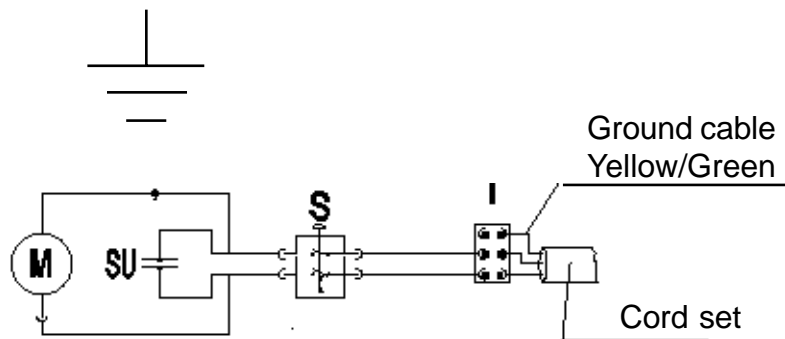
05-07	FILTER AND DUST BAGS	BOOK B		
06-10	GD 320, GWD 320, GWD 335, GWD 350 & GWD 375	B	5.9.3	23

Item.No.	Part No	Qty.	Description	Note	EAN code
1	147 0745 010	3	Dust bags, paper	3 pcs. for 320 and 335	5715492032143
1	147 0746 010	3	Dust bags, paper	3 pcs. for 350 and 375	5715492032167
2	140 8670 500	1	Cover HEPA		7319519647235
2B	140 8678 500	1	Filter HEPA	Filter only	7319519644807
3	>>140 8658 500	1	Filter sack	For GWD 320, 335	7319519639933
3	>>140 8658 520	1	Filter sack Nylon	For Craftsman versions	7319519656664
3	>>140 9512 500	1	Filter sack	For GWD 350, 375	7319519641387
3	140 8658 510	1	Filter sack	For GD 320	7319519639940
4	140 8686 500	1	Filter Cartridge	For all models	7319519641189
5	140 8682 500	1	Filter for motor	For all models	7319519639872

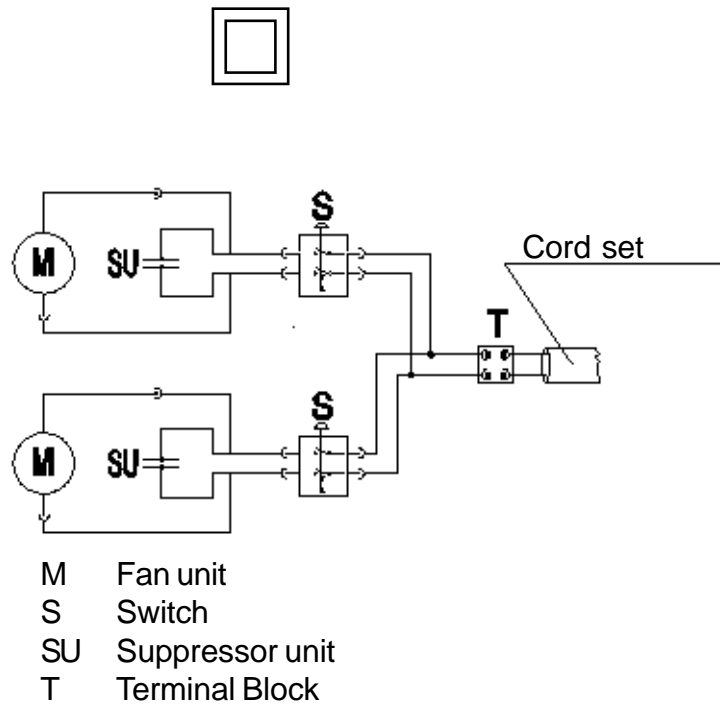
>>Means: New or changed ref. number or/and changed/new specifications.

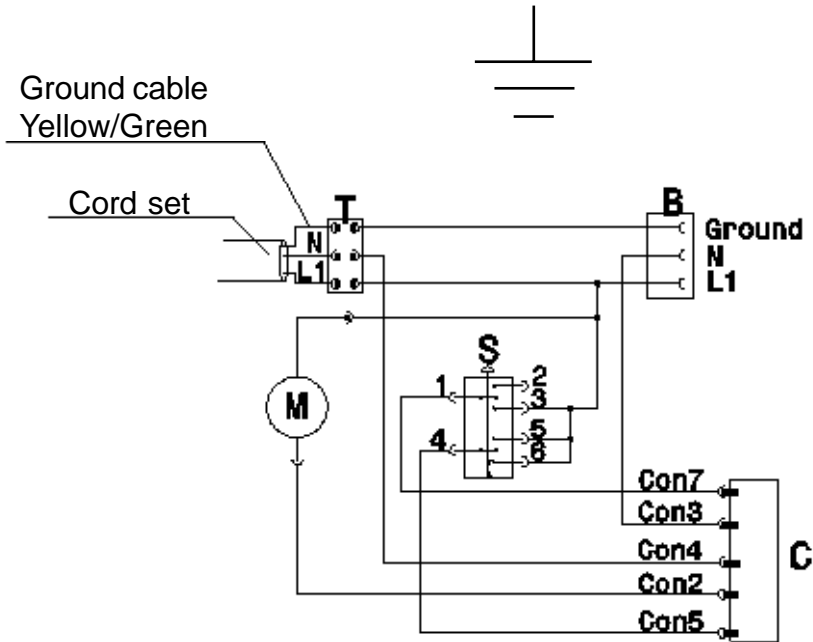


- M Fan unit
- S Switch
- SU Suppressor unit
- T Terminal Block



- M Fan unit
- S Switch
- SU Suppressor unit
- T Terminal Block





- M Fan unit
- S Switch
- B Power Outlet
- T Terminal Block
- C Curcuit Board S2