



Electronic Service Manuals

This electronic document is provided as a service to our customers. We do not create the contents of the information contained in this document. Should you have detailed questions pertaining to the information contained in this document, you may contact Michco, or the manufacturer which provided the original information in this electronic deliverable. Michco's only part in this electronic deliverable was the electronic assembly process. By providing this manual on line we are not guaranteeing parts availability.

You may contact Michco through the following methods:

Phone (517) 484-9312 or (800) 331-3339

2011 N. High St. -- Lansing, Michigan -- 48906

Fax: (517) 484-9836

Email: CustServe@Michco.com

Web site: www.Michco.Com

Parts Web site: www.FloorMachineParts.Com

Order Parts on Line at:

www.FloorMachineParts.Com

Directly to Parts & Service:

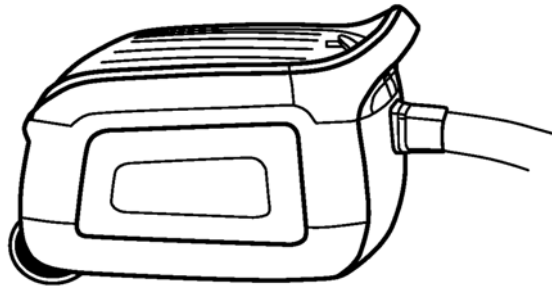
By Email: **Shop@Michco.com**

By Fax: (517) 702-2041

By Voice: Use numbers above.

Serving the Cleaning Industry Since 1922

Notice: All copyrighted material remains property of original owners, all trademarks are property of respective owners. Manuals are subject to Manufacturer's reproduction limitations. Originals or reproductions were provided by manufacturers through a request. We make no warranty as to the correctness of information provided in this document and you assume all risk. By placing these manuals on line we are not declaring our corporation to be an manufacturer authorized dealer or provider, please check our web site for authorized manufacturers we represent.



DESCRIPTION	PLAN
Motors and cords	B - 2.3.3 - 2
Container upper parts	B - 2.3.3 - 4
Electrical units	B - 2.3.3 - 6
Filter and HEPA filter	B - 2.3.3 - 8
Container bottom parts	B - 2.3.3 - 10
Nozzles, tubes, hoses and dust bag	B - 2.3.3 - 12
Nozzles, special	B - 2.3.3 - 14

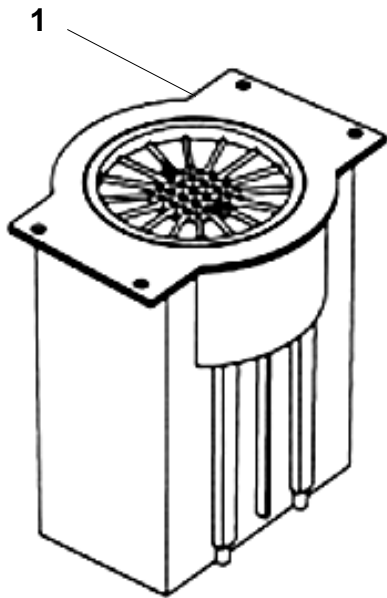
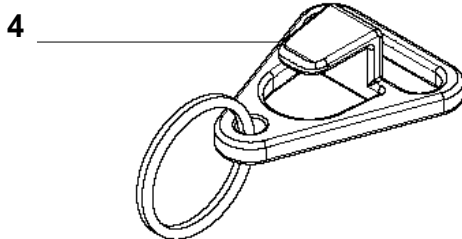
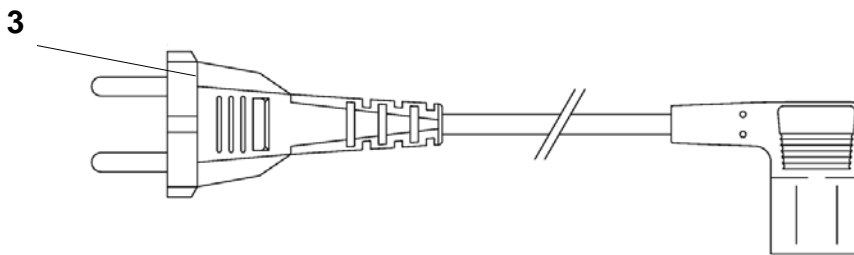
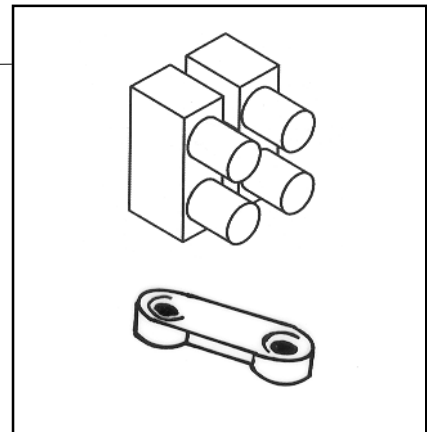


Fig. 2 Cord set Ref.No. 120038xx

01 EU		
02 UK		
03 AU/NZ		
04 CH		
05 US/JP		



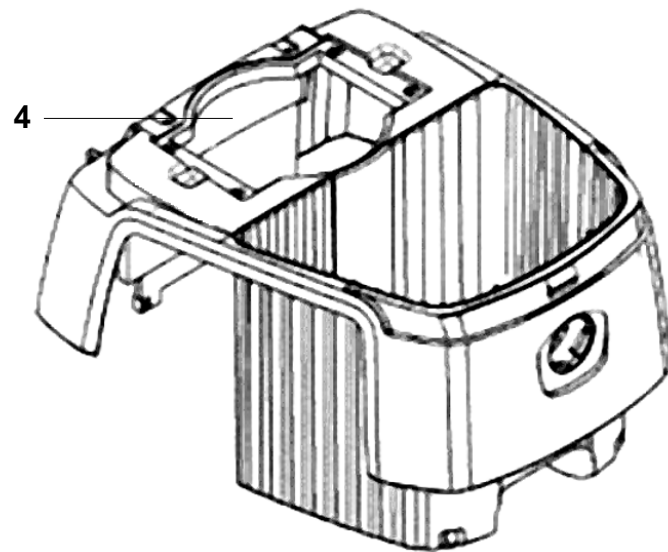
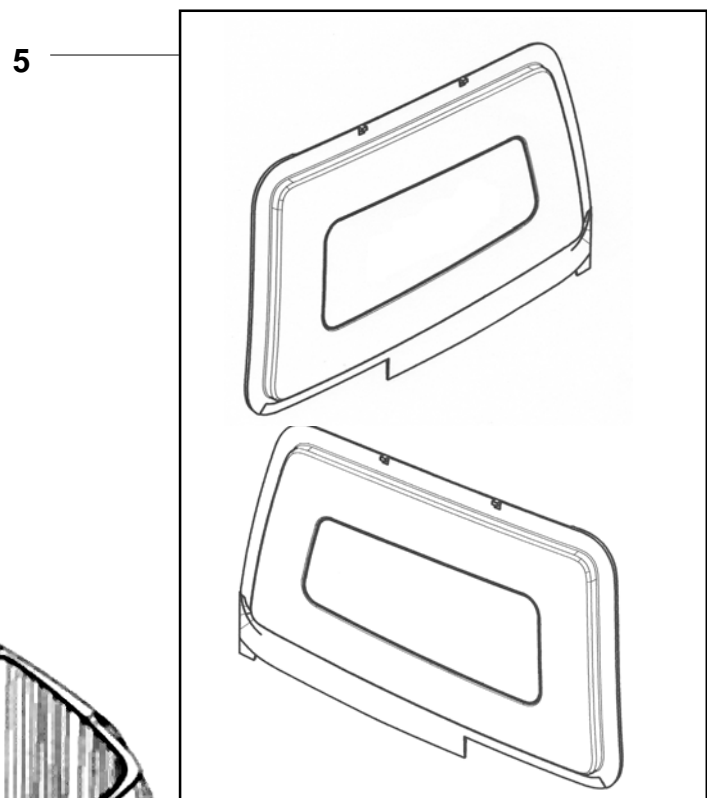
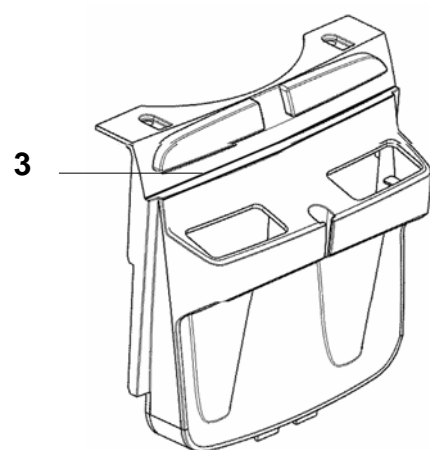
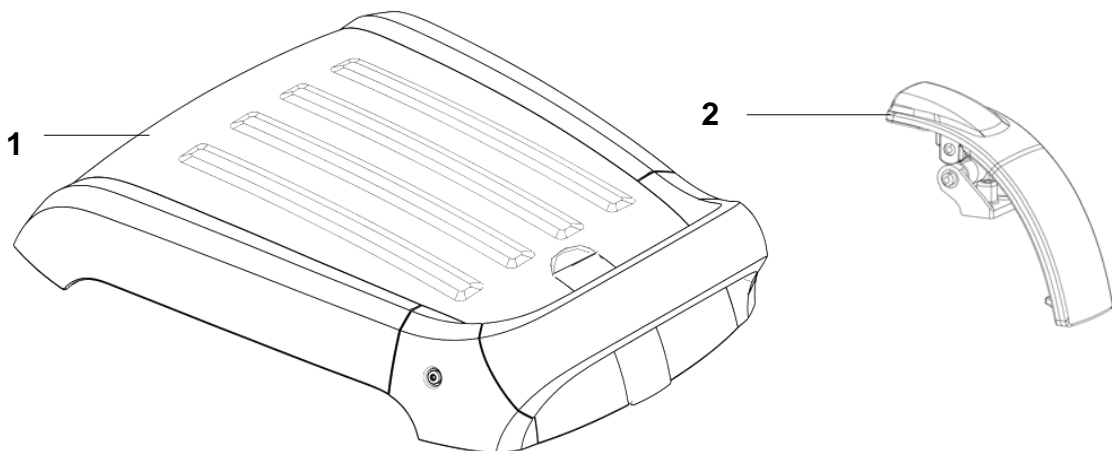
5



03-05	MOTOR SERVICE KIT	BOOK B		
04-04	MOTOR AND CORD TYPES, ALL MODELS	B	4.6.3	3

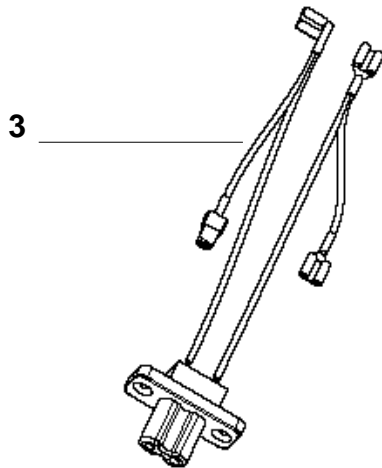
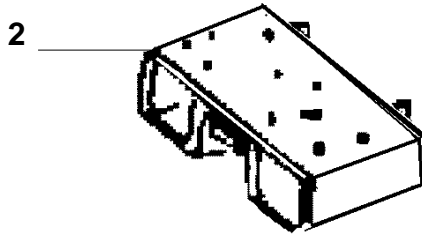
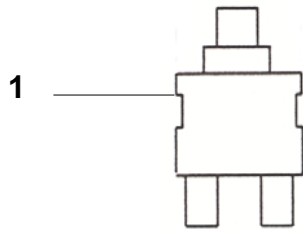
<u>Item</u>	<u>Ref.No.</u>	<u>Qty.</u>	<u>Description</u>	<u>Note</u>
1	140 8400 500	1	Motor cassette 220-240V	Thermal protector included
1	140 8400 510	1	Motor cassette 110-120V	
1	140 8400 520	1	Motor cassette 100V	
2	12003801	1	Cord, EU version Cord length=15m	Mat.: PVC, copper Colour: Grey, RAL 7001
2	12003802	1	Cord, UK version Cord length=15m	Colour: Grey, RAL 7001
2	12003803	1	Cord, Australia, New Zealand Cord length=15m	
2	12003804	1	Cord, Switzerland Cord length=15m	
2	12003805	1	Cord, US, Japan, Canada Cord length=15m	18 AWG
3	140 8434 500	1	Cord, detachable EU version	
3	140 8434 510	1	Cord, detachable UK version	
4	140 8433 500	1	Cable relief	
5>>	147 0503 500	1	Cable locking kit	For fixed cord

>> Means: New or changed ref. number or/and changed/new specifications

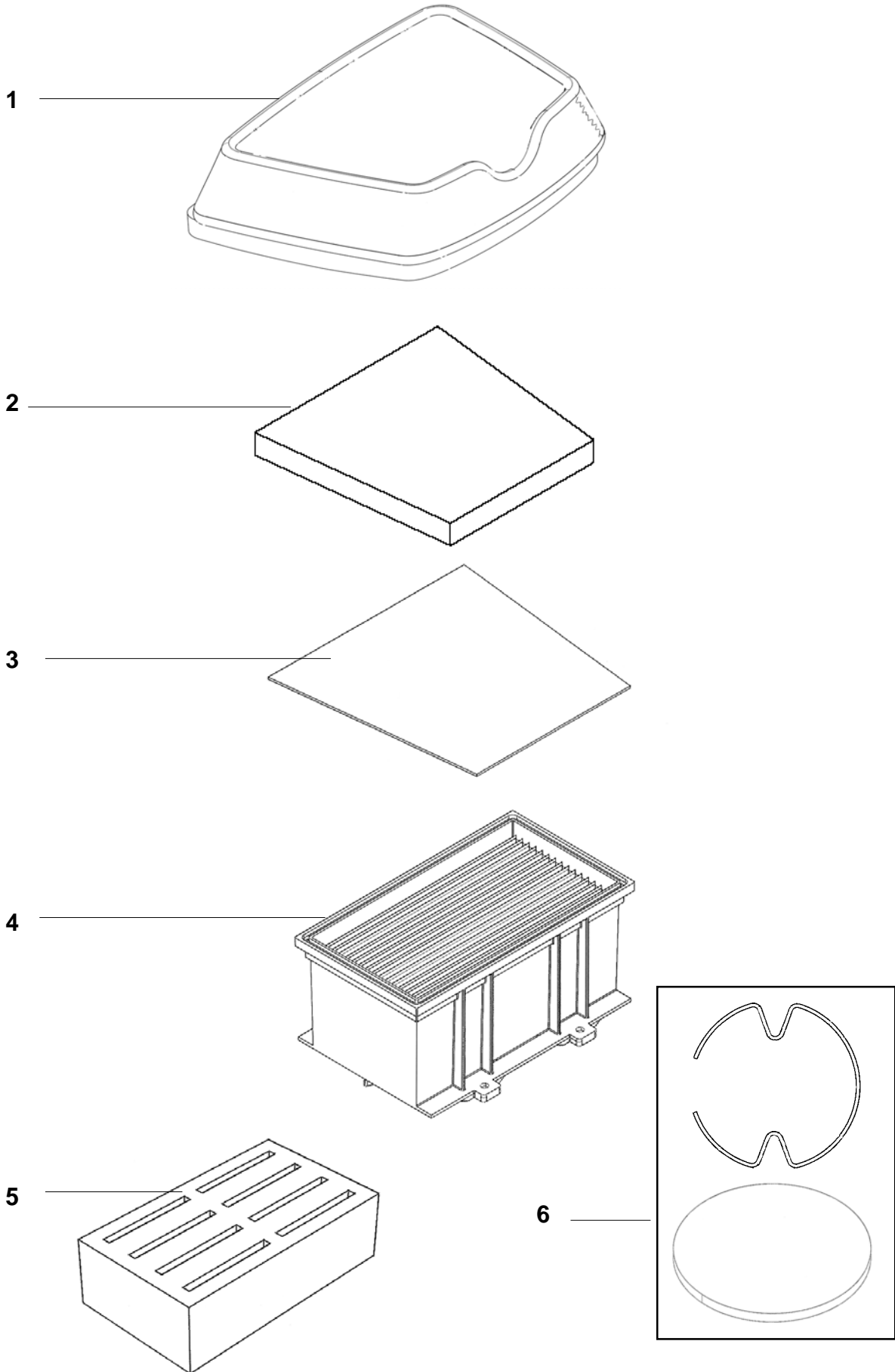


Item	Ref.No.	Qty.	Description	Note
1	140 8419 500	1	Lid cpl. f. GD versions Colour: grey	Handle, latch & filters are included.
1	140 8419 510	1	Lid cpl. w. Sound absorber Colour:grey	Handle, latch & filters are included.
1	140 8419 520	1	Lid cpl. Colour: blue	Handle, latch & filters are included.
2	140 8444 500	1	Latch cpl. Colour: grey	With bracket
3	140 8560 500	1	Cover rear, Colour: grey for 1 speed versions	With trigger, and spring
3	140 8560 510	1	Cover rear, UL Colour: grey for 1 speed versions	With trigger, and spring
3	140 8560 520	1	Cover rear, UL Colour: blue for 1 speed versions	With trigger, and spring
3	140 8562 500	1	Cover rear, Colour:grey for 2 speed versions	With trigger, and spring For GDS & HDS versions.
4	140 8409 500	1	Chassis Colour: grey	
4	140 8409 510	1	Chassis, UL approved Colour: grey	
4	140 8409 520	1	Chassis, UL approved Colour: blue	
5	140 8569 540	2	Cover, outlet left/right	Mat.: Plastic. No brand name
5>>	140 8414 520	2	Cover, outlet left/right	Mat.: Steel. No brand name
5>>	140 8571 500	2	Cover, outlet left/right	Mat.: Plastic. Nilfisk brand
5>>	140 8571 510	2	Cover, outlet left/right	Mat.: Plastic UL-appr. Nilfisk brand

>> Means: New or changed ref. number or/and changed/new specifications

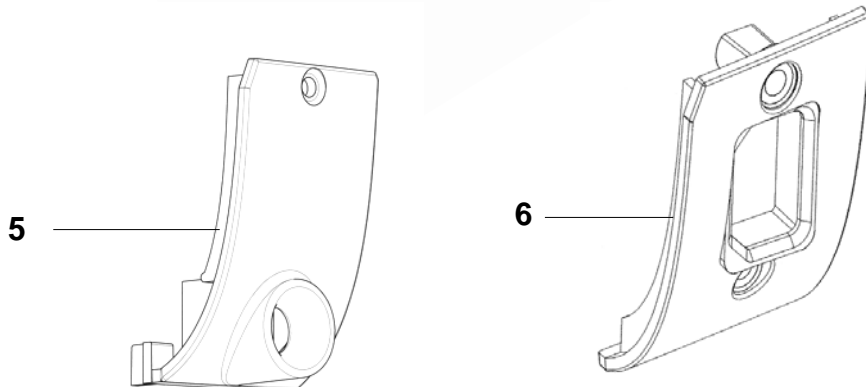
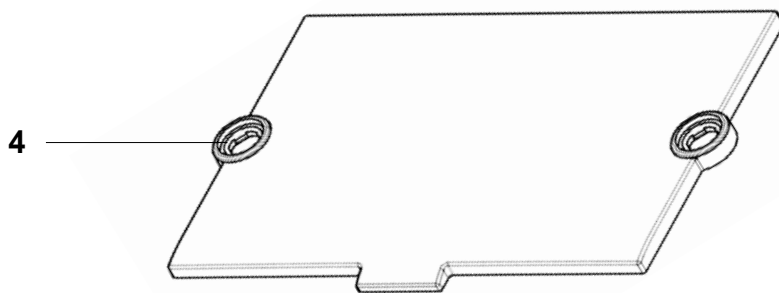
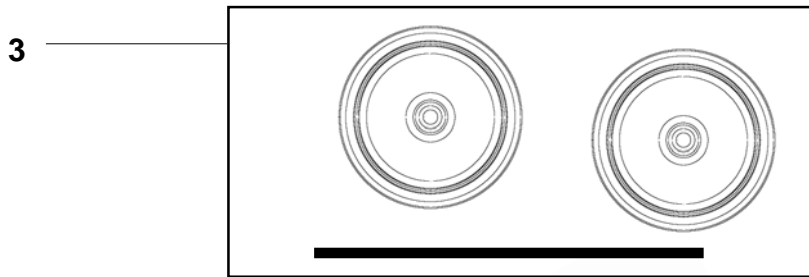
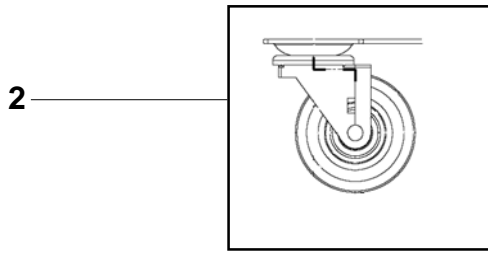
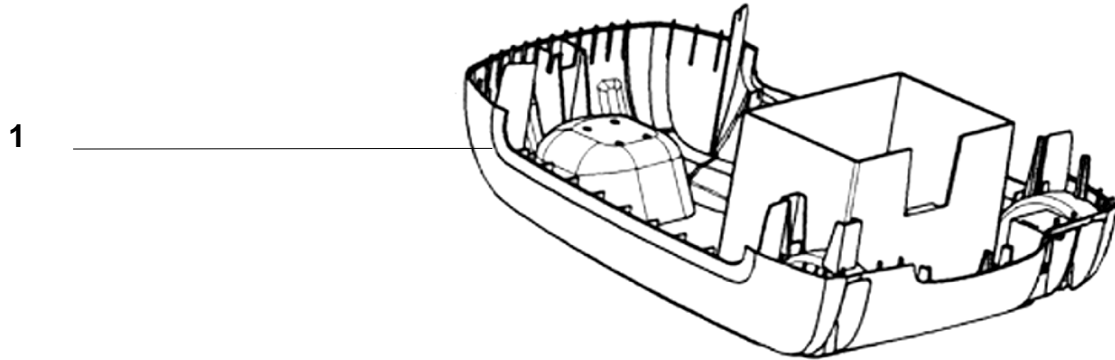


Item	Ref.No.	Qty.	Description	Note
1	140 8096 500	1	Switch	On-off /2 speed
2	140 7026 500	1	2 speed PCB 220-240V	For GDS and HDS versions
2	140 7026 510	1	2 speed PCB 100-120V	For GDS and HDS versions
3	140 8497 500	1	Connector	Outlet for electro nozzle
3	140 8497 520	1	Connector UL-approved	Outlet for electro nozzle

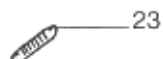
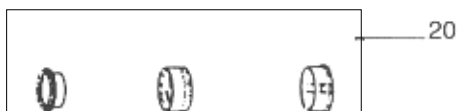
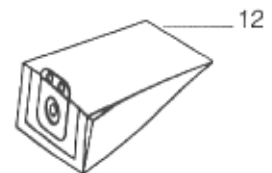
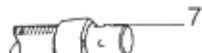
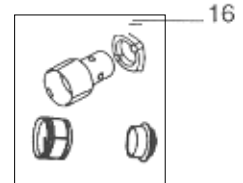
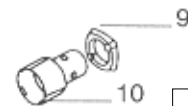
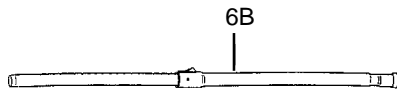
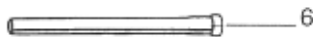
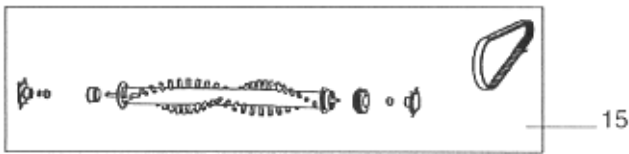
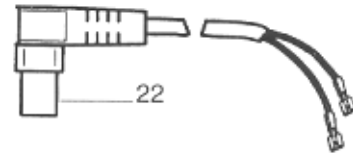
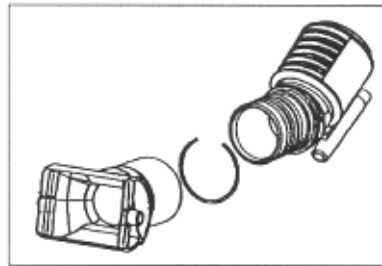
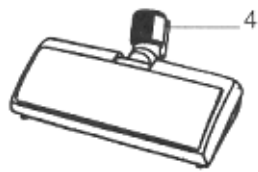
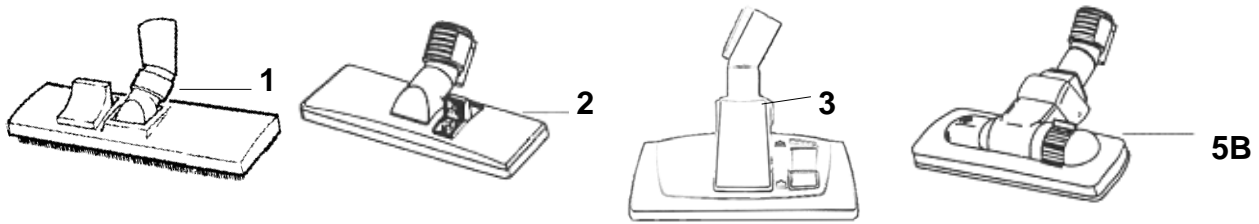


03-05**FILTER SERVICE KIT****BOOK B****FILTER, HEPA-FILTER AND SOUND SUPPRESSOR****B****4.6.3****9**

Item	Ref.No.	Qty.	Description	Note
1	140 8423 500	1	Sack filter unit	
2	140 8435 500	1	Main filter	
3	140 8436 500	5	Paper filter	5 pcs packed in plastic bag
4	140 8404 500	1	HEPA-filter, exhaust	Packed in cardboard box
5	140 8561 500	1	Silencer, exhaust	
6	140 8551 500	1	Motor filter	Filter holder incl.

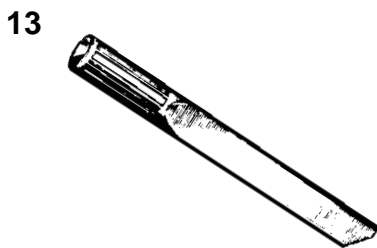
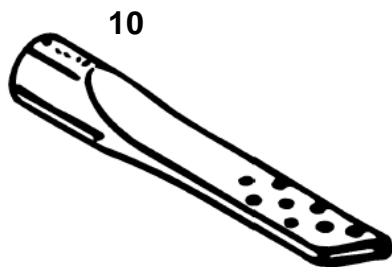
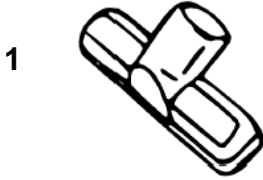


Item	Ref.No.	Qty.	Description	Note
1	140 8565 500	1	Lower Part	Basic version Colour: grey
1	140 8566 500	1	Lower Part	F. power outlet Colour: grey
1	140 8566 510	1	Lower Part	F. power outlet, UL-approv. Colour: grey
1	140 8566 520	1	Lower part	F. power outlet, UL-approv. Colour: blue
1	140 8567 500	1	Lower Part	F. detachable cord Colour: grey
1	140 8568 500	1	Lower Part	F. power outlet & detachable cord Colour: grey
2	140 8445 500	1	Link Wheel	4 screws included
3	140 8446 500	1	Rear Wheels	Steel shaft included
4	140 8428 500	1	Lid, bottom part	Colour: Grey
4	140 8428 510	1	Lid, bottom part	Colour: Blue
5	140 8430 500	1	Cover, protection sleeve	Colour: Grey
5	140 8430 510	1	Cover, protection sleeve, UL-approved	Colour: Grey
5	140 8430 520	1	Cover, protection sleeve, UL-approved	Colour: Blue
6	140 8577 500	1	Cover, protection sleeve	F. detachable cord set



Item	Ref.No.	Qty.	Description	Note
1	11980300	1	Combi dry nozzle w. parking clip colour: grey	Mat.: PP Width: 272 mm
2	12019401	1	Combi dry nozzle w. parking clip colour: grey	Mat.: PP Width: 306 mm
3	140 8492 510	1	Roller combi dry nozzle w. parking clip colour: grey/dark grey	Mat.: PP Width: 295 mm
4	12010100	1	Electro nozzle with parking clip 2832 colour: grey	Mat.: PPA, ABS Width: 280 mm
4	82220700	1	Electro nozzle, 110-120V with parking clip 2832 colour: grey	Mat.: PPA, ABS Width: 280 mm Not UL-approv.
5B >>	12018501	1	Combi dry nozzle w. parking clip colour: grey	
14	22367500	1	Coupling for tube	
15	22365000	1	Brush & belt kit	
22	22201500	1	Cord, for electro nozzle	
5	12018201	1	Parking clip	Mat.: POM Colour:grey
6	11112401	1	Tube, length 560mm	Mat.: Steel
6B	81906500		Tube, telescopic	
7	12018001	1	Tapered hose Ø 32 mm, 2 m w. curved plast. tube, colour: silver	Mat.: PP; PE
8	22042401	1	Tapered hose & coupling only	Mat.: PP; PE
9	11542001	1	Gasket, colour: black	Mat.: EPDM
10	12018101	1	Hose coupler colour, dark grey	Mat.: PC
11	21640503	1	Curved Ø 32 mm plast.tube, Colour:grey	Mat.: PP
12	82367810	5	Dust bag packed 5 pcs. in plastic bag.	Mat.: Paper
12	140 8618 000		Dust bag packed 10 pcs. in plastic bag	Mat.: Paper
12	22251800	1	Cloth dust bag	With bag clip
12	140 8618 010		Dust bag for US/Can packed 10 pcs. in plastic bag	Mat.: Paper
23	22351000	1	Shutter, 5 pcs. in a plastic bag	
16	22366100	1	Hose coupling to inlet	
20	22350900	1	Hose coupling to inlet, kit for tapered hose	

B 4.6.3 14 NOZZLES, SPECIAL



Item	Ref.No.	Qty.	Description	Note
1	32043700	1	Upholstery nozzle, with insertion colour:grey	Plastic Width 130 mm, packed in a plastic bag
2	11276901	1	Round brush, turnable. 60% natural bristles, 40% nylon bristles, colour:grey	Width 70 mm, packed in a plastic bag
2	22366000	1	Round brush, turnable. 100% natural bristles, colour:grey	Width 70 mm, packed in a plastic bag
2	22103600	1	Round brush, turnable blue bristles, Polyester PBT colour:grey	Width 70 mm, for allergic applications
10	81530400	1	Crevice nozzle, width 245 mm colour:grey	Plastic
11	11530500	1	Brush for crevice nozzle	Plastic/steel
12	81140900	1	Flexible nozzle, length 150 mm colour:grey	Plastic packed in a plastic bag
13	010 3098 500	1	Crevice nozzle Plastic colour:black	packed in a plastic bag
14	011 3104 510	1	Small combi nozzle colour:black	Plastic/Bristles packed in a plastic bag