



Electronic Service Manuals

This electronic document is provided as a service to our customers. We do not create the contents of the information contained in this document. Should you have detailed questions pertaining to the information contained in this document, you may contact Michco, or the manufacturer which provided the original information in this electronic deliverable. Michco's only part in this electronic deliverable was the electronic assembly process. By providing this manual on line we are not guaranteeing parts availability.

You may contact Michco through the following methods:

Phone (517) 484-9312 or (800) 331-3339

2011 N. High St. -- Lansing, Michigan -- 48906

Fax: (517) 484-9836

Email: CustServe@Michco.com

Web site: www.Michco.Com

Parts Web site: www.FloorMachineParts.Com

Order Parts on Line at:

www.FloorMachineParts.Com

Directly to Parts & Service:

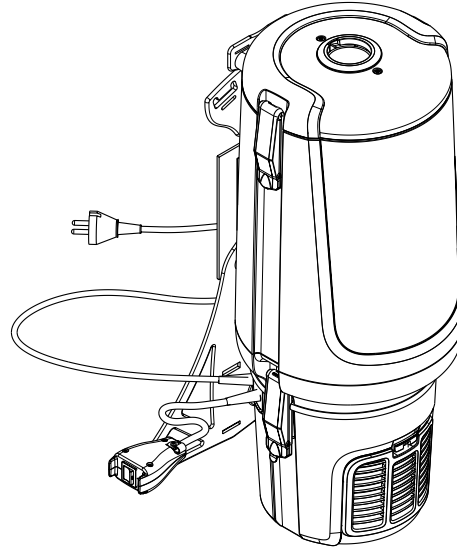
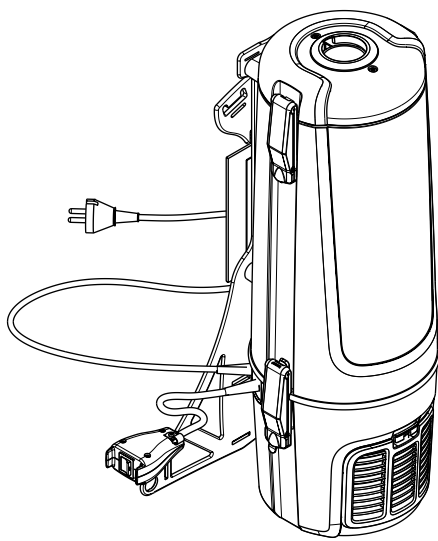
By Email: **Shop@Michco.com**

By Fax: (517) 702-2041

By Voice: Use numbers above.

Serving the Cleaning Industry Since 1922

Notice: All copyrighted material remains property of original owners, all trademarks are property of respective owners. Manuals are subject to Manufacturer's reproduction limitations. Originals or reproductions were provided by manufacturers through a request. We make no warranty as to the correctness of information provided in this document and you assume all risk. By placing these manuals on line we are not declaring our corporation to be an manufacturer authorized dealer or provider, please check our web site for authorized manufacturers we represent.

**DESCRIPTION****PLAN**

Motor and motor parts	2
Electrical parts	4
Container parts	6
Straps	8
Filters	10
Nozzles 1.5 Inch, 38 mm	12
Wands, hose 1.5 Inch, 38 mm	14
Wiring diagram	15

WHEN ORDERING PARTS

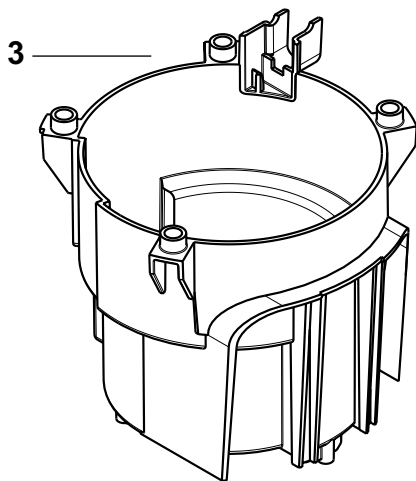
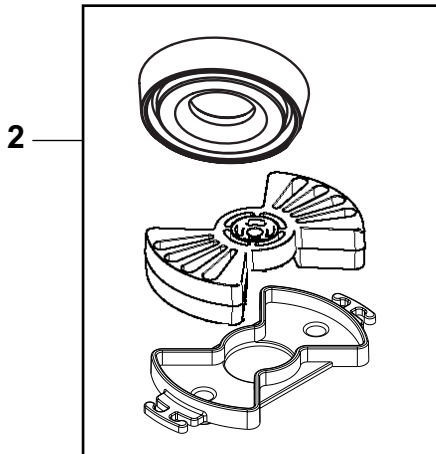
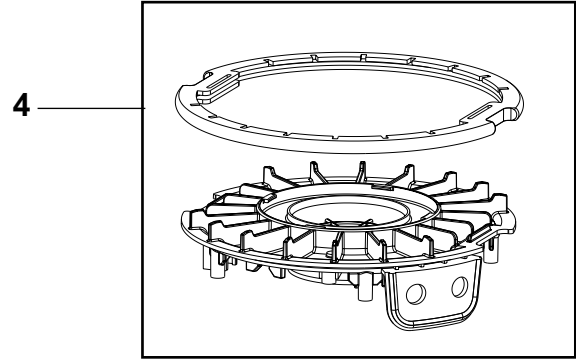
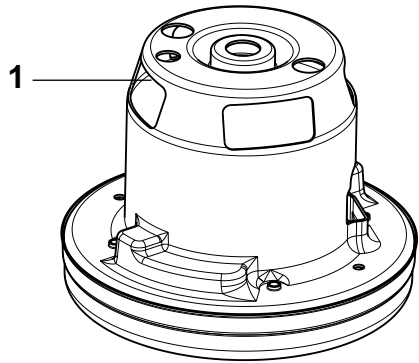
- * Use the digit numbers from the "Part No." columns in this spare parts list.
- * Specify the model and serial number of the machine.
- * Use the space below to record the model and serial number for future reference.

Model _____ Serial no. _____

USA
 Nilfisk-Advance Inc.
 14600 21st Avenue North
 Plymouth, MN 55447-3408
 Tel.: (763) 745 3500
 Fax : (763) 745 3718

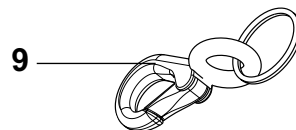
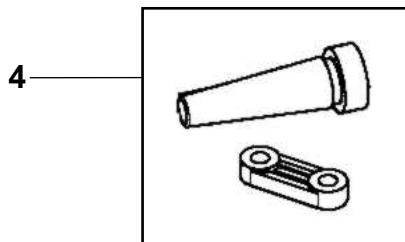
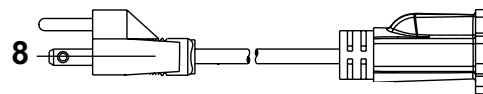
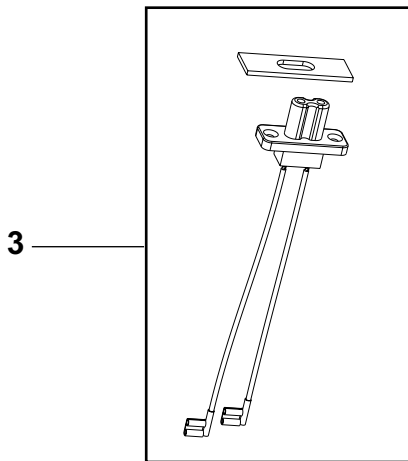
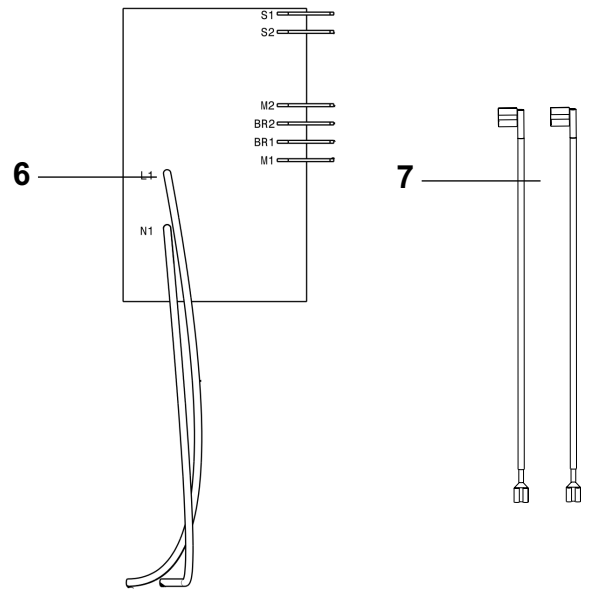
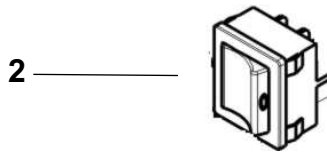
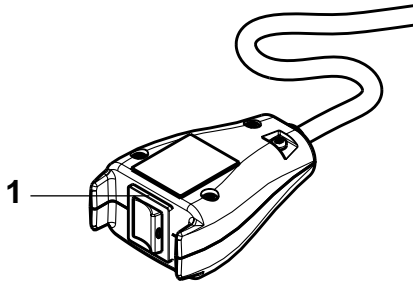
Canada
 Nilfisk-Advance Canada Company
 396 Watline Avenue
 Mississauga
 Ontario, L4Z 1X2
 Tel.: 905-712-3260
 Fax: 905-712-3255

www.mn.nilfisk-advance.com



08-02	Advance Adgility 6XP, 10XP	823 0101 000		
	MOTOR AND MOTOR PARTS			3

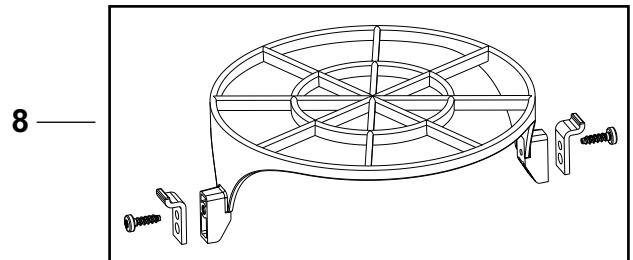
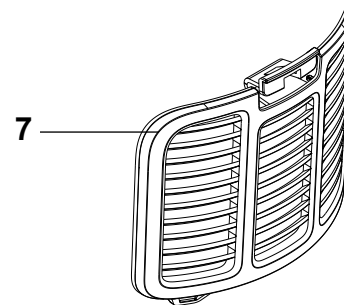
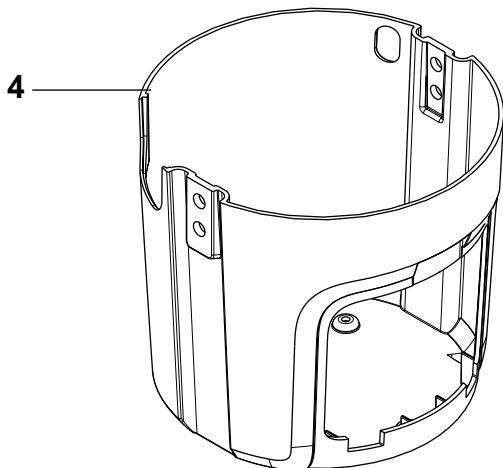
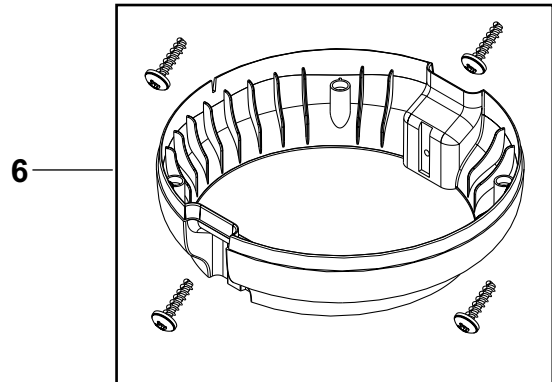
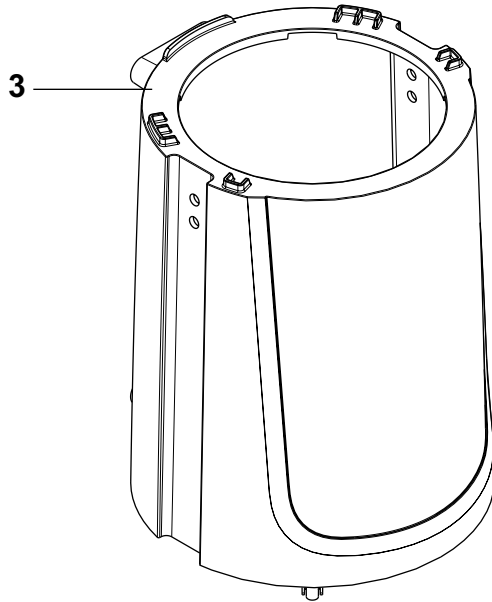
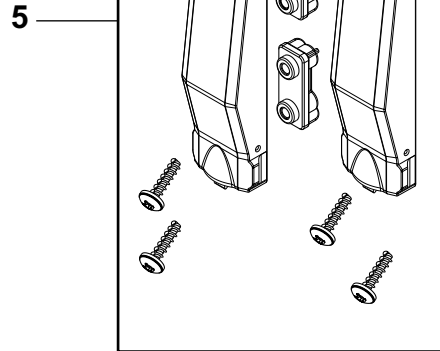
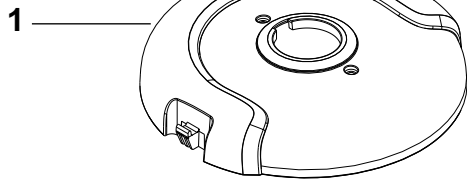
Item	Part No.	Qty.	Description	Note
1	147 1109 500	1	Fan unit 100 -120V, 1300W	
2	147 1111 500	1	Motor suspension kit	
3	147 1088 510	1	Motor cover, UL-approved	
4	147 1086 510	1	Chassis, UL-approved	



08-02	Advance Adgility 6XP, 10XP	823 0101 000		
	ELECTRICAL PARTS			5

Item	Part No.	Qty.	Description	Note
1	147 1105 500	1	Switch cpl.	
2	140 5496 510	1	Switch	
3	140 8497 530	1	Connector	
4	140 7035 510	1	Sleeve kit	Anti strain clip incl.
5	140 3859 500	1	Cord set US/TW plug, machine end.	1.3 ft (400 mm)
6	147 1231 510	1	Curcuit board 100-120V	
7	140 7042 520	1	Internal wire kit	2 Wires incl.
8	147 1243 500	1	Cord extension	50 ft (15.5 m) Colour: Yellow. 16 AWG
9	147 1346 500	1	Anti strain snap hook	

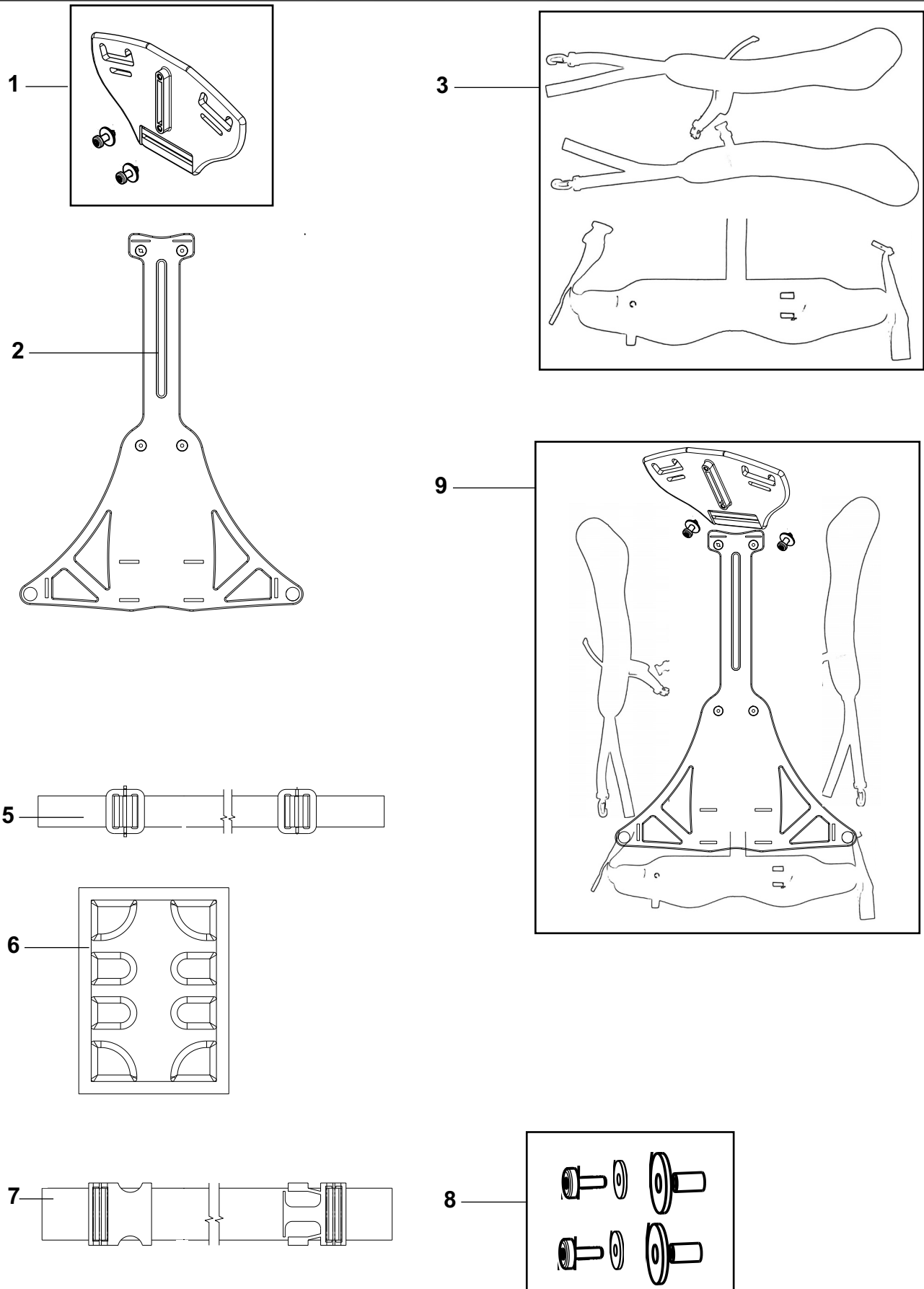
CONTAINER PARTS



08-02	Advance Adgility 6XP, 10XP	823 0101 000		
	CONTAINER PARTS			7

Item	Part No.	Qty.	Description	Note
1	147 1077 500	1	Outer lid, for 6XP	Grey
1	147 1080 500	1	Outer lid, for 10XP	Grey
3	147 1076 500	1	Container, for 6XP	Grey
3	147 1079 500	1	Container, for 10XP	Grey
4	147 1075 520	1	Cover outer	
4	147 1075 530	1	Cover outer, power outlet	Gasket incl.
5	147 1101 500	1	Latch kit	2 latches, screws and screw towers.
6	147 1078 500	1	Adapter, for 10XP	Screws incl.
7	147 1082 500	1	Grid exhaust	
8	147 1115 500	1	Basket sack filter	Hooks and screws incl.

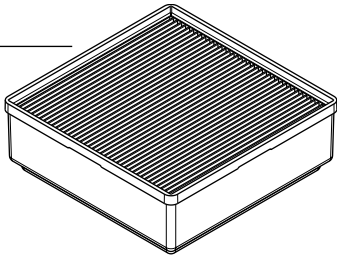
STRAPS PARTS



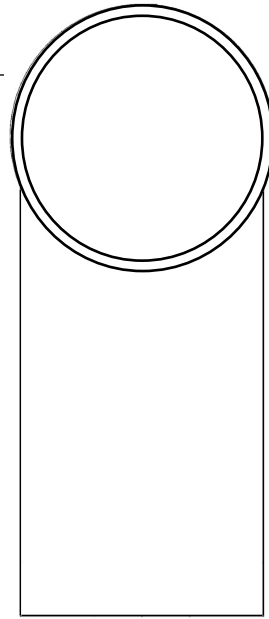
08-02	Advance Adgility 6XP, 10XP	823 0101 000		
	STRAPS PARTS			9

Item	Part No.	Qty.	Description	Note
1	147 1092 500	1	Adjusting plate	
2	147 1091 500	1	Harness support	
3	147 1246 500	1	Harness premium	Screws and washers incl.
5	147 1247 500	1	Lifting strap	
6	147 1248 500	1	Padding, back plate	
7	147 1249 500	1	Extension belt	L=400 mm
8	147 1246 600	1	Screw kit	For harness premium
9	147 1246 510	1	Harness premium cpl.	

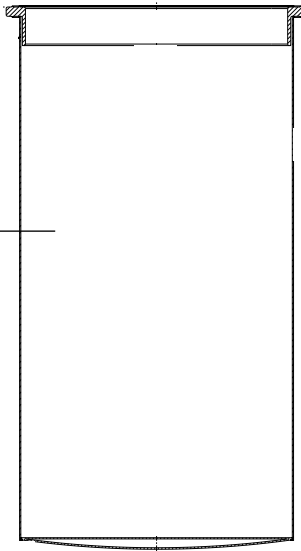
1



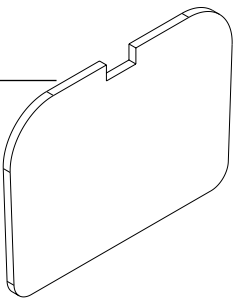
4



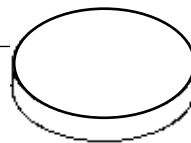
2



3

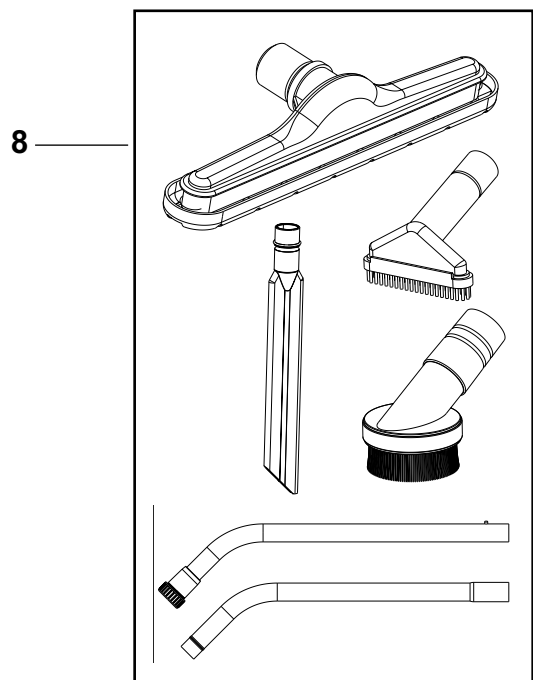
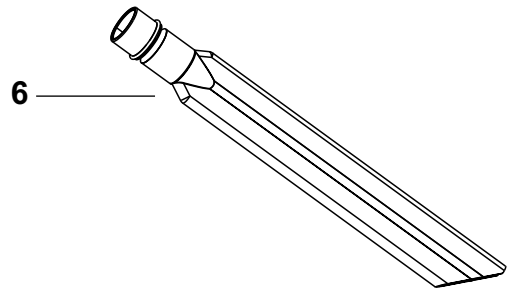
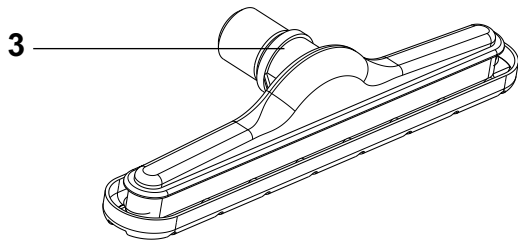
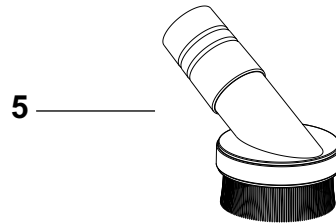
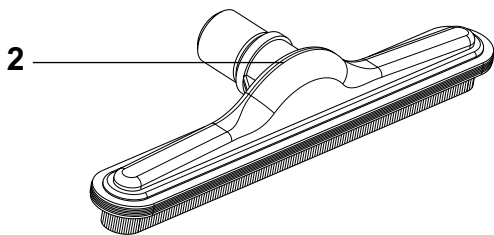
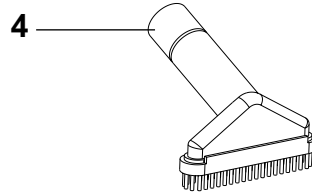
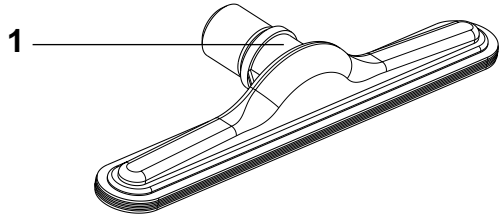


5



08-02	Advance Adgility 6XP, 10XP	823 0101 000		
	FILTERS			11

Item	Part No.	Qty.	Description	Note
1	147 1104 500	1	HEPA-filter cpl.	
2	147 1100 500	1	Sack filter, for 6XP	
2	147 1099 500	1	Sack filter, for 10XP	
3	147 1089 500	1	Exhaust filter	3 pcs.
4	147 1098 500	1	Dustbag, for 6XP (1.3 Gallon, 5L)	5 pcs.
4	147 1097 500	1	Dustbag, for 10XP (2.6 Gallon, 10 L)	5 pcs.
5	147 1095 500	1	Prefilter	3 psc.



08-02	Advance Adgility 6XP, 10XP	823 0101 000		
	NOZZLES Ø 1.5 Inch, 38 mm			13

Item	Part No.	Qty.	Description	Note
1	147 1383 520	1	Scallop carpet floor tool	
2	147 1383 510	1	Hard floor brush tool	
3	147 1383 500	1	Quick-Glide multi surface floor tool	
4	147 1384 500	1	Upholstery tool	
5	147 1385 500	1	Dust tool	
6	147 1386 500	1	Crevice tool	
7	140 7547 500	1	Paddle nozzle	
8	147 1388 500	5	Standard accessory kit	Kit with Item # 3,4,5,6 and a S-wand.

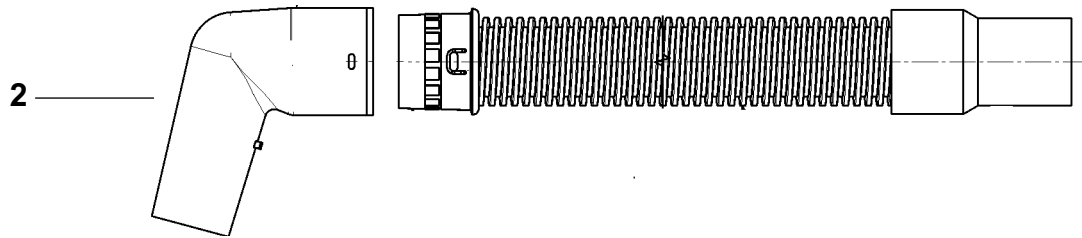
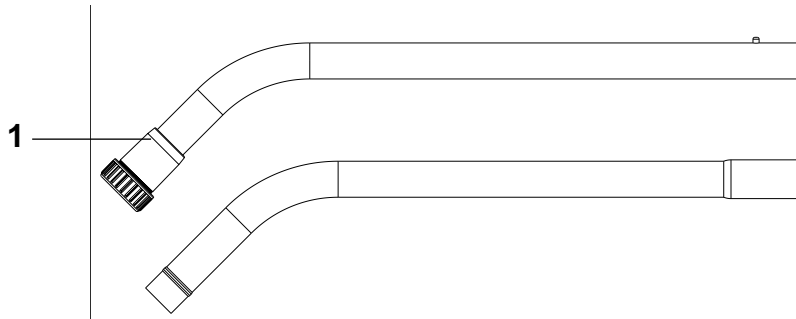
823 0101 000

Advance Adgility 6XP, 10XP

08-02

14

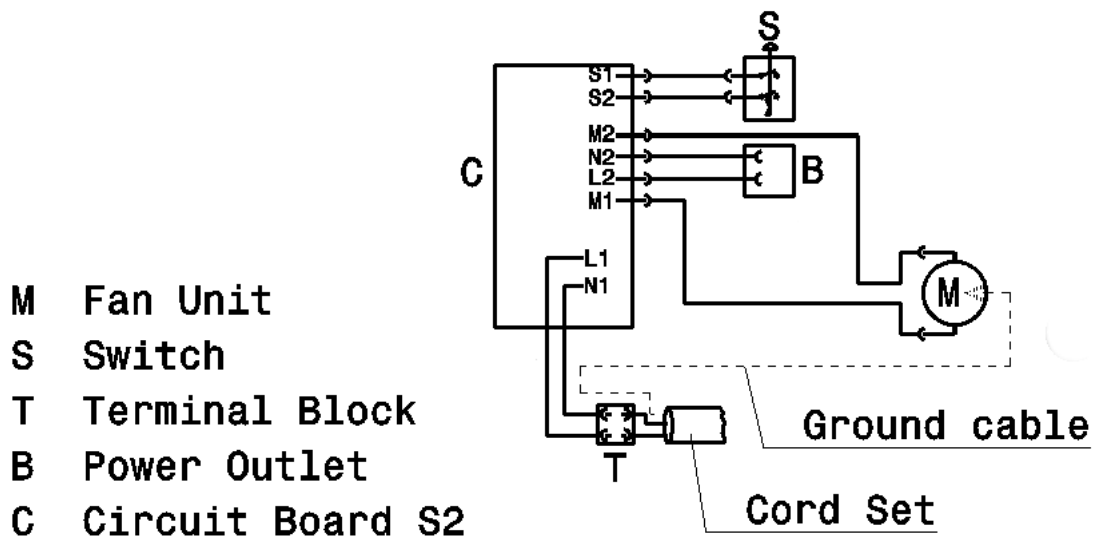
WANDS AND HOSE Ø 1.5 Inch, 38 mm



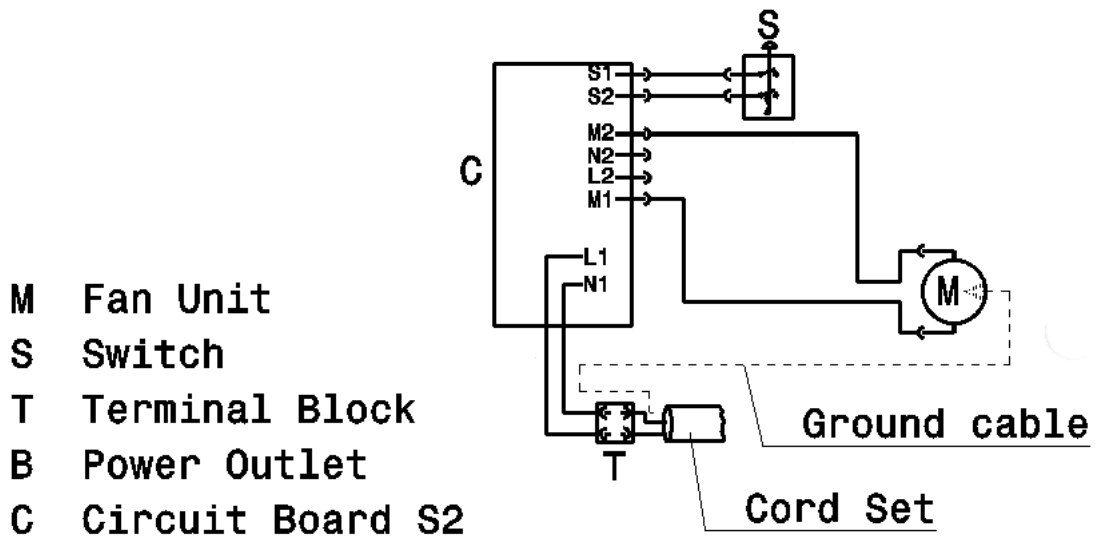
08-02	Advance Adgility 6XP, 10XP	823 0101 000		
	WANDS AND HOSE Ø 1.5 Inch, 38 mm			15

Item	Part No.	Qty.	Description	Note	EAN code
1	147 1387 500	1	S-wands	Aluminium	
2	147 1237 500	1	Hose cpl. 49 in. (1250 mm)		

Wiring diagram - Grounded



Model 10 XP, with power outlet



Model 6 XP, no power outlet