



Electronic Service Manuals

This electronic document is provided as a service to our customers. We do not create the contents of the information contained in this document. Should you have detailed questions pertaining to the information contained in this document, you may contact Michco, or the manufacturer which provided the original information in this electronic deliverable. Michco's only part in this electronic deliverable was the electronic assembly process. By providing this manual on line we are not guaranteeing parts availability.

You may contact Michco through the following methods:

Phone (517) 484-9312 or (800) 331-3339

2011 N. High St. -- Lansing, Michigan -- 48906

Fax: (517) 484-9836

Email: CustServe@Michco.com

Web site: www.Michco.Com

Parts Web site: www.FloorMachineParts.Com

Order Parts on Line at:

www.FloorMachineParts.Com

Directly to Parts & Service:

By Email: **Shop@Michco.com**

By Fax: (517) 702-2041

By Voice: Use numbers above.

Serving the Cleaning Industry Since 1922

Notice: All copyrighted material remains property of original owners, all trademarks are property of respective owners. Manuals are subject to Manufacturer's reproduction limitations. Originals or reproductions were provided by manufacturers through a request. We make no warranty as to the correctness of information provided in this document and you assume all risk. By placing these manuals on line we are not declaring our corporation to be an manufacturer authorized dealer or provider, please check our web site for authorized manufacturers we represent.



DESCRIPTION	PAGE
Motor top,	2
Container and handle	4
Trolley	6
Nozzles, tubes and hoses	8
Filter and dustbags	10
Wiring diagram	12

WHEN ORDERING PARTS

- * Use the digit numbers from the "Part. No." columns in this parts list.
- * Specify the serial number of the machine.
- * Use the space below to record the model and serial number for future reference.

Model _____ Serial no. _____

Model _____ Serial no. _____

823 0078 000

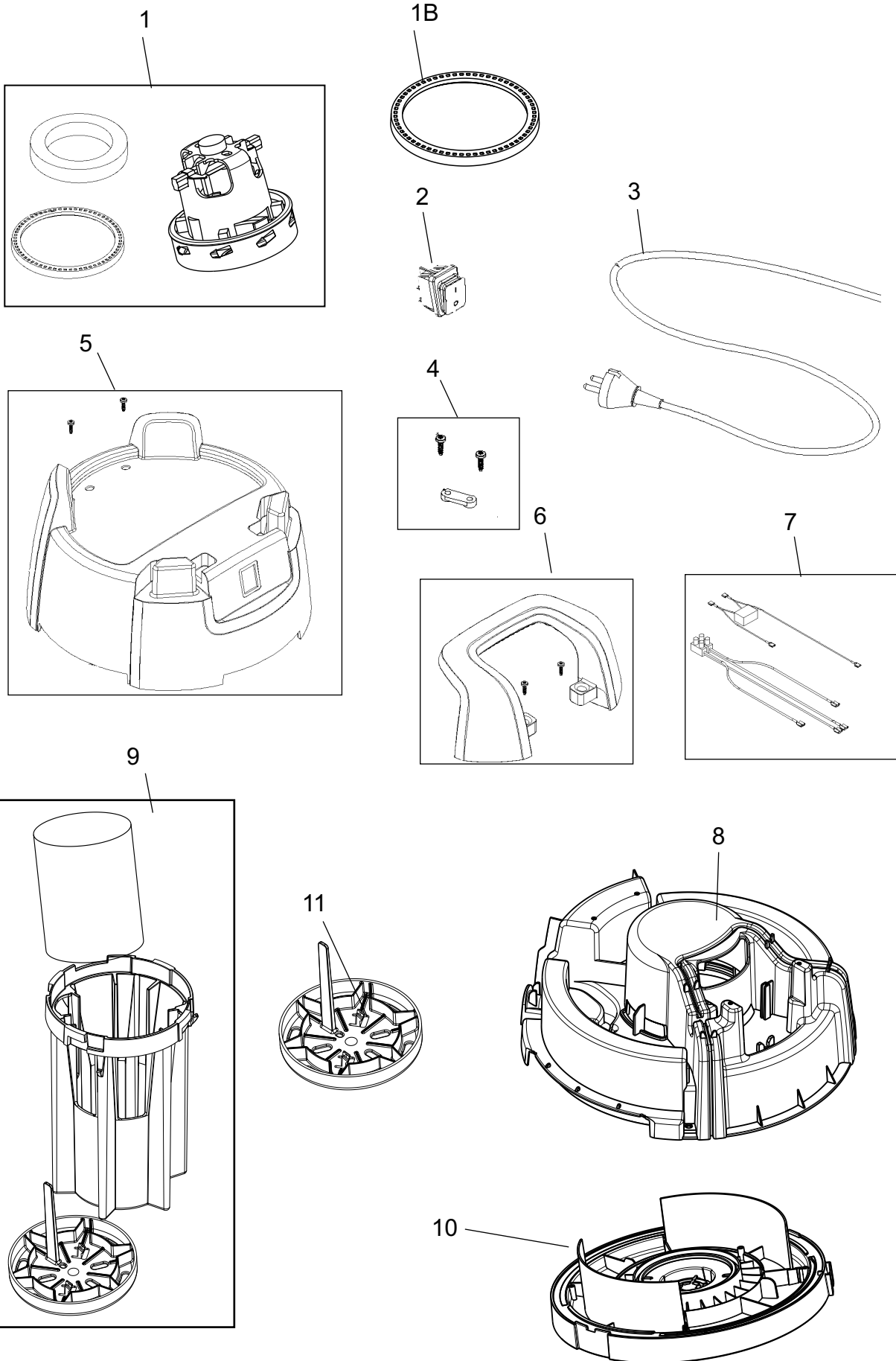
MOTOR TOP

06-10

2

AWD 315, AWD 320

07-07



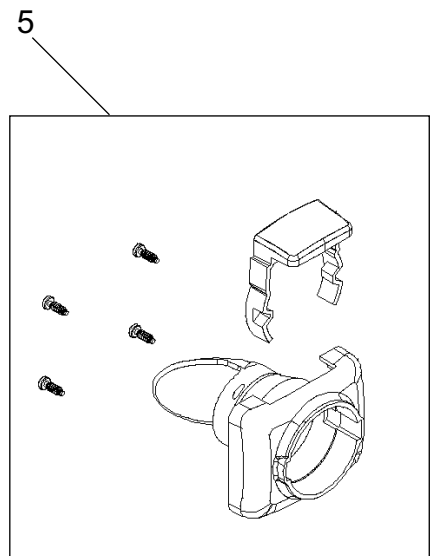
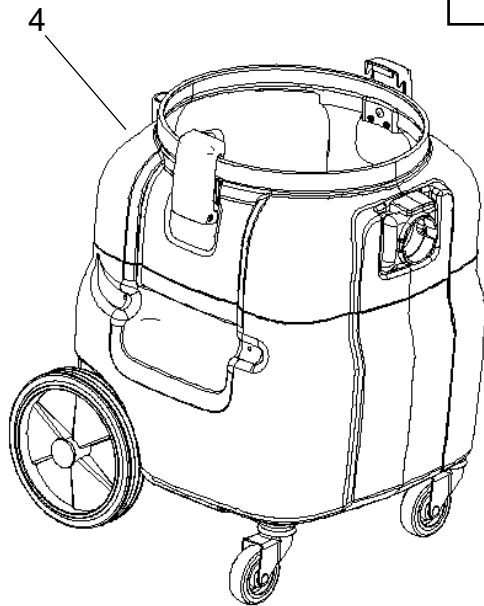
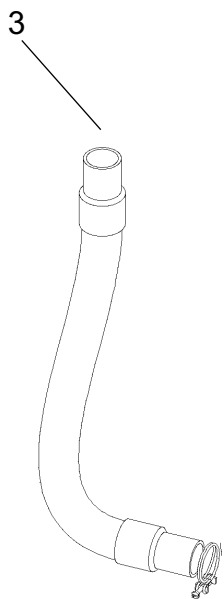
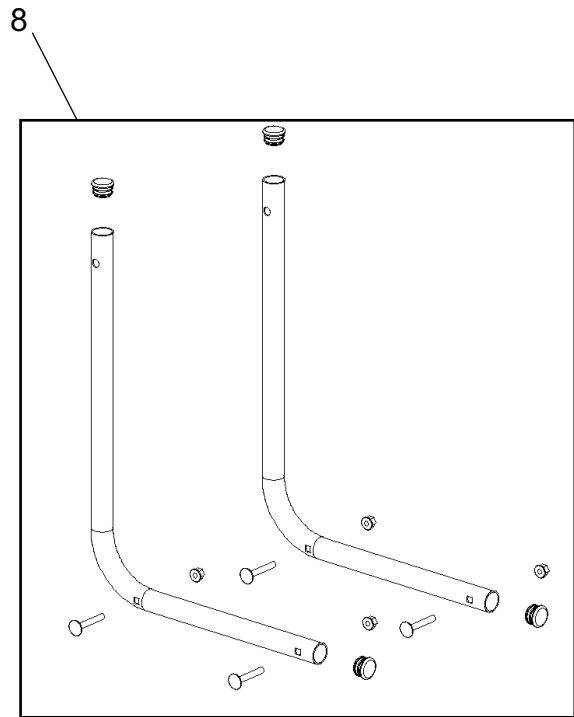
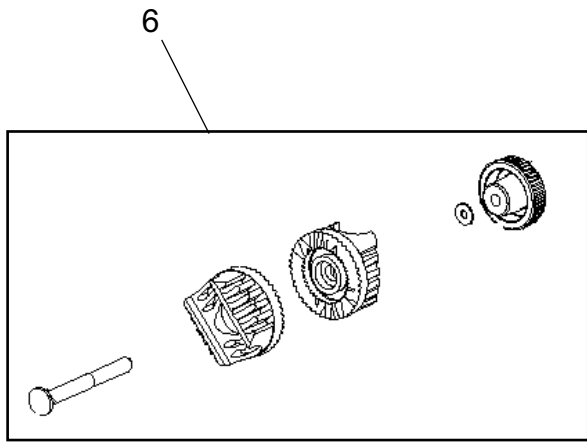
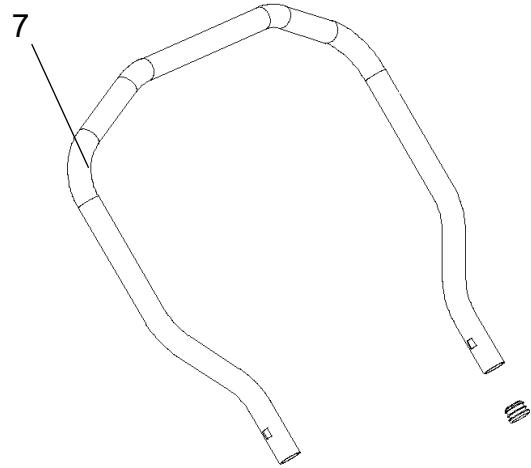
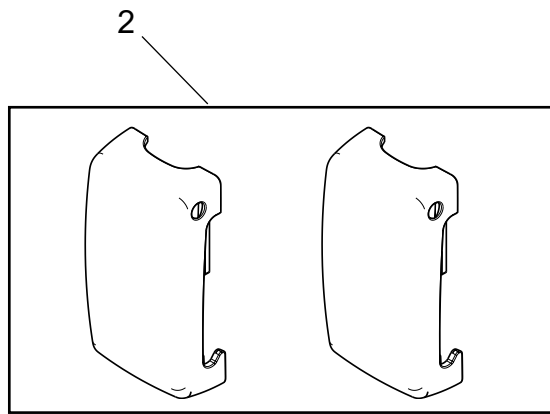
06-10	MOTOR TOP	823 0078 000	
07-07	AWD 315, AWD 320		3

Item.No.	Part No.	Qty.	Description	Note
1	140 8689 510	1	Fan unit By-pass 100-120V	Gaskets included
1B	>>140 8684 000	1	Gasket fan unit	
2	140 9537 500	2	Switch two pole	
3	147 0716 500	1	Cord set grounded 50 feet (15,5 meter)	
4	140 6560 500	1	Anti strain clip	Screws included
5	140 8652 520	1	Cover outer, UL-approved	Screws included
6	140 8650 500	1	Handle N-A	Screws included
7	140 7620 510	1	Internal wires, UL-approved	
8	140 8653 510	1	Cover fan unit, UL-approved	
9	>>140 8680 500	1	Float basket	Valve and adapter included
10	140 8664 520	1	Chassis, UL-approved	
11	>> 147 1119 500	1	Adapter for float basket	Wear protection for sack filter

>>Means: New or changed ref. number or/and changed/new specifications.

4

AWD 315, AWD 320



04-11	CONTAINER AND HANDLE	823 0078 000		
	AWD 315, AWD 320			5

Item.No.	Part No.	Qty.	Description	Note
2	140 8691 500	2	Latches	Screws included
3	140 7604 510	1	Drain hose	
4	140 9554 500	1	Container 12 Gallon	F. AWD 315 Complete container with wheels
4	147 0713 500	1	Container 16 Gallon	F AWD 320 Complete container with wheels
5	140 7204 500	1	Inlet	Screws and trigger included
6	147 0744 500	2	Handle adjustments devices	Ratchets, screws and washers included
7	140 9560 500	1	Handle upper part	End plugs included
8	140 9559 500	2	Handle lower parts	Left and right part. Screws and nuts and end plugs included

823 0078 000

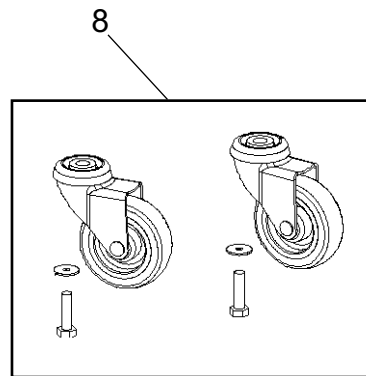
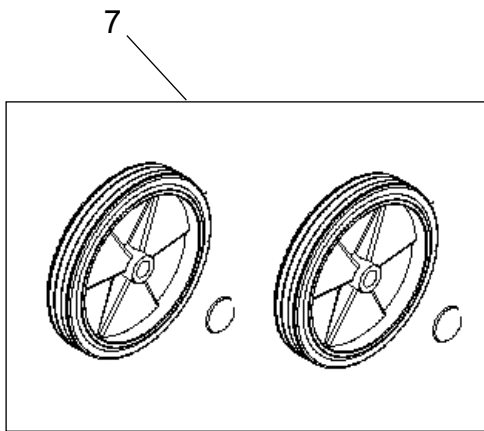
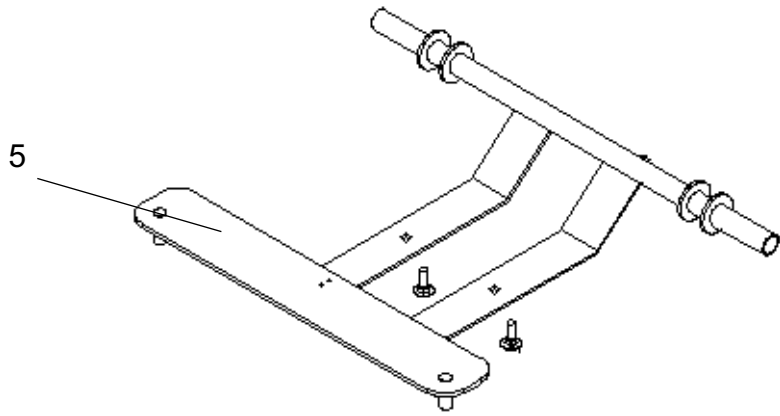
TROLLEYS

04-11

6

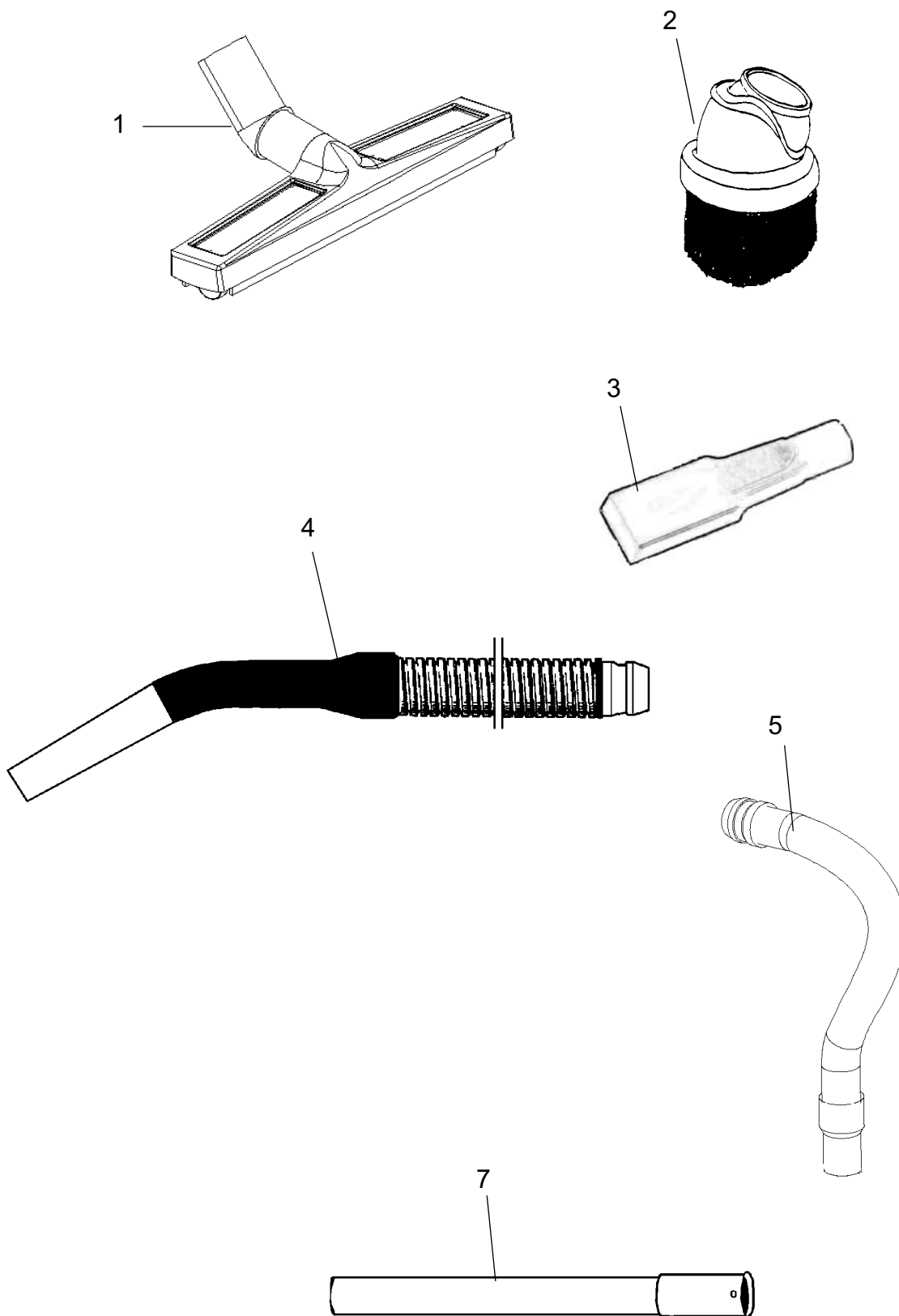
AWD 315, AWD 320

05-04



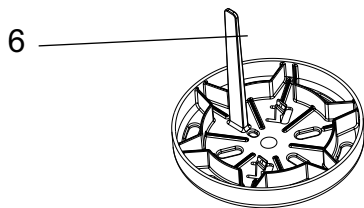
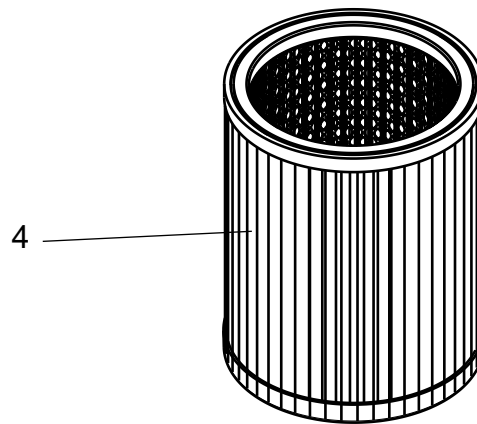
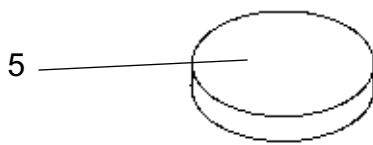
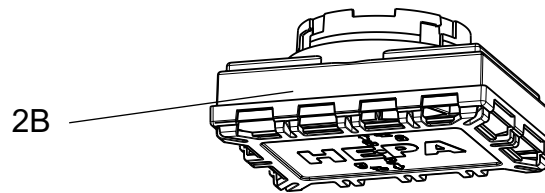
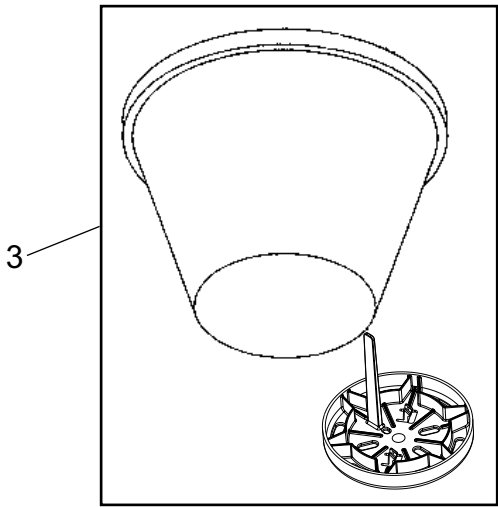
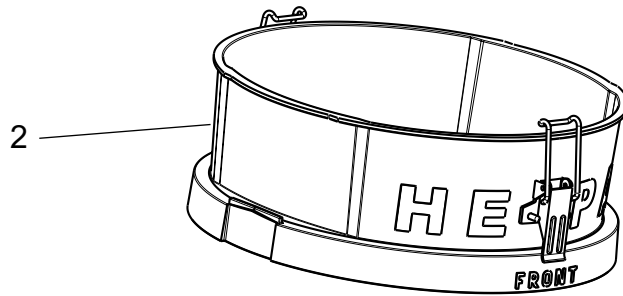
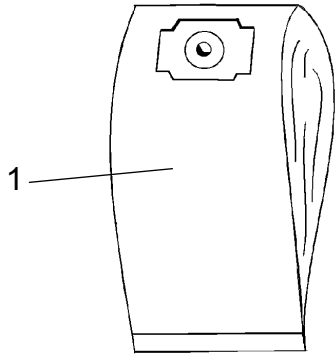
04-11	TROLLEY	823 0078 000		
05-04	AWD 315, AWD 320			7

Item.No.	Part No.	Qty.	Description	Note
5	140 9553 500	1	Bracket plate for trolley	Screws and nuts included
7	140 9543 500	2	Wheel Ø 8.0 in (200 mm)	
8	140 5476 520	2	Castor wheels	Screws and washers included



05-01	NOZZLES AND HOSES	823 0078 000		
04-11	AWD 315, AWD 320			9

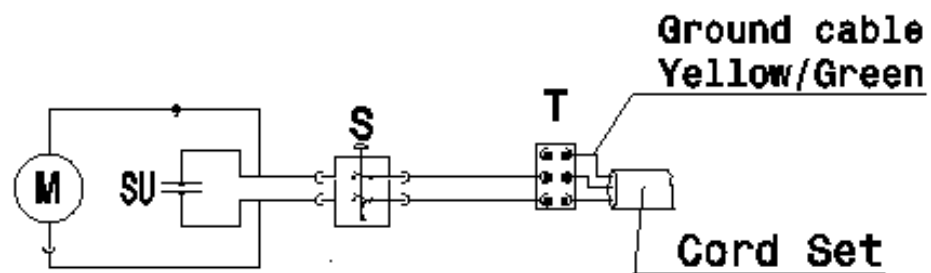
Item.No.	Part No.	Qty.	Description	Note
1	140 7629 000	1	Wet nozzle Ø 1.50 in	Rubber strip
1	140 7629 010	1	Dry nozzle, Ø 1.50 in	Brush strip
2	010 7031 000	1	Brush nozzle	Optional
3	140 8258 000	1	Crevice nozzle Ø 1.50 in	Optional
4	140 4001 010	1	Hose complete with handle	Mat.: Plastic hose Ø 1.50 in Snap in coupling
5	140 2148 500	1	Hose, Ø 1.50 in 1 1/2 ", 500mm	Hose for front nozzle
7	011 6451 010	1	Extension tube Aluminium	Ø 1.50 in L= 19.68 in (500 mm)



05-01	FILTER AND DUST BAGS	823 0078 000		
06-10	AWD 315, AWD 320			11

Item.No.	Part No.	Qty.	Description	Note
1	147 0746 010	3	Dust bags	3-pcs.
2	147 0766 500	1	HEPA-Protection Ring	For all models
2B	140 8678 500	1	Filter HEPA	For all models
3	>>140 8658 500	1	Filter basket	With adapter for float basket
4	140 8686 500	1	Filter cartridge	For all models
5	140 8682 500	1	Filter motor	For all models
6	>>147 1119 500	1	Adapter for float basket	Wear protection for the filter basket

>>Means: New or changed ref. number or/and changed/new specifications.



- M** Fan Unit
S Switch
SU Suppressor Unit
T Terminal Block