



## Electronic Service Manuals

This electronic document is provided as a service to our customers. We do not create the contents of the information contained in this document. Should you have detailed questions pertaining to the information contained in this document, you may contact Michco, or the manufacturer which provided the original information in this electronic deliverable. Michco's only part in this electronic deliverable was the electronic assembly process. By providing this manual on line we are not guaranteeing parts availability.

You may contact Michco through the following methods:

Phone (517) 484-9312 or (800) 331-3339

2011 N. High St. -- Lansing, Michigan -- 48906

Fax: (517) 484-9836

Email: [CustServe@Michco.com](mailto:CustServe@Michco.com)

Web site: [www.Michco.Com](http://www.Michco.Com)

Parts Web site: [www.FloorMachineParts.Com](http://www.FloorMachineParts.Com)

Order Parts on Line at:

**[www.FloorMachineParts.Com](http://www.FloorMachineParts.Com)**

Directly to Parts & Service:

By Email: **[Shop@Michco.com](mailto:Shop@Michco.com)**

By Fax: (517) 702-2041

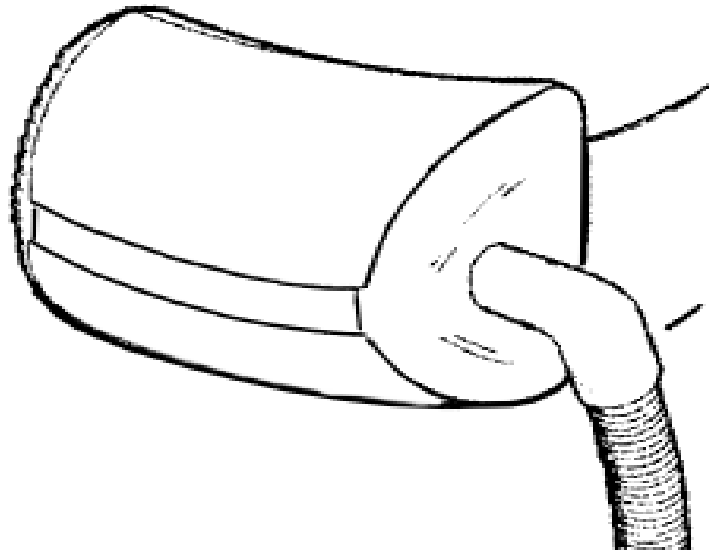
By Voice: Use numbers above.

***Serving the Cleaning Industry Since 1922***

Notice: All copyrighted material remains property of original owners, all trademarks are property of respective owners. Manuals are subject to Manufacturer's reproduction limitations. Originals or reproductions were provided by manufacturers through a request. We make no warranty as to the correctness of information provided in this document and you assume all risk. By placing these manuals on line we are not declaring our corporation to be an manufacturer authorized dealer or provider, please check our web site for authorized manufacturers we represent.

# Adgility

---



---

## PARTS LIST



**Advance**

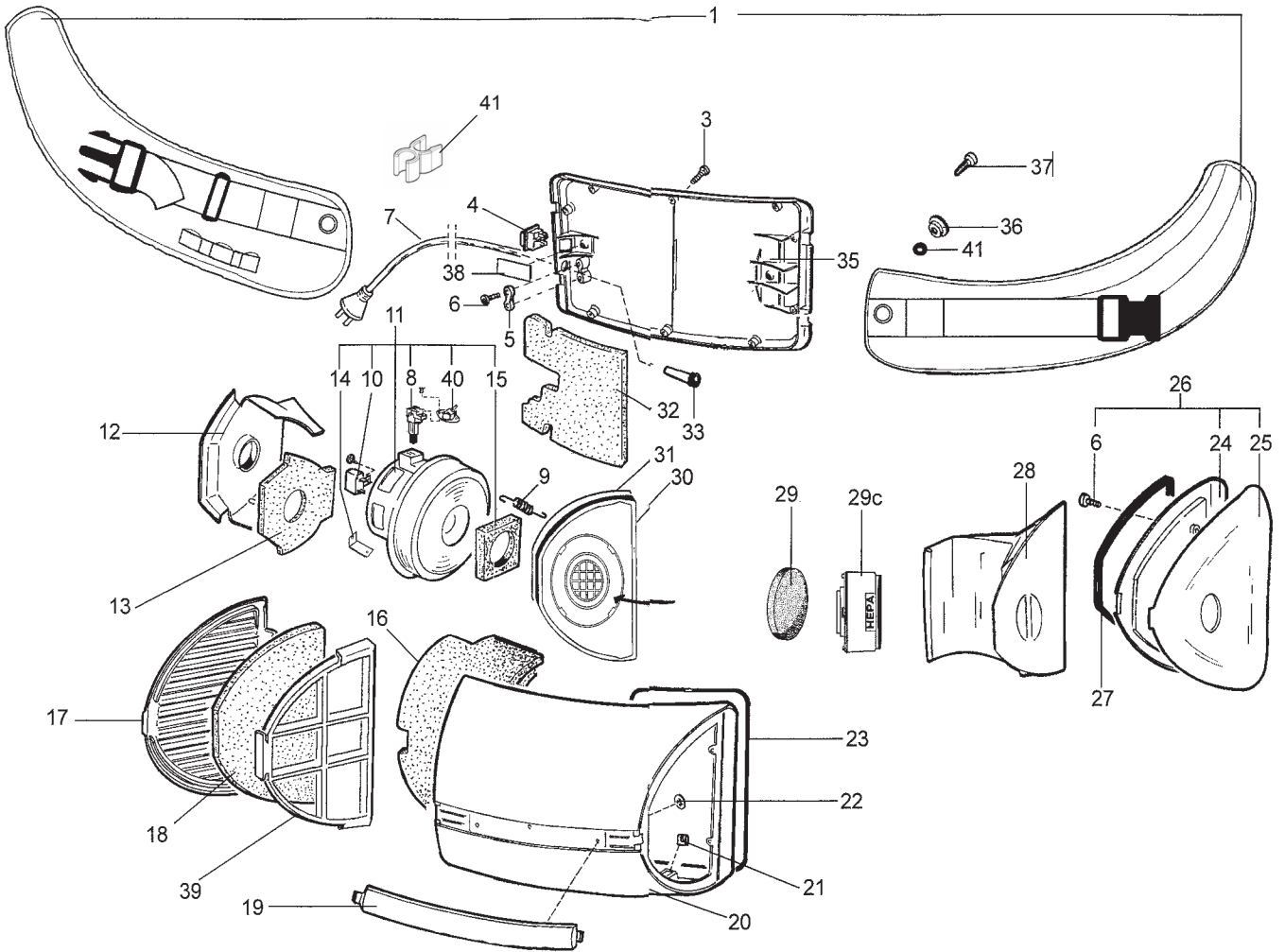
Revised 7/11 FORM NO. 822 2739 010

**SPARE PARTS LIST ADGILITY**

**2**

**LINE DRAWING**

**06-06**



**SPARE PARTS LIST ADGILITY**

**11-07**

**SPARE PARTS NUMBER**

**3**

ItemNo	Qty.*	Part No	Description	Note
1	1	140 7343 000	Belt cpl.w.locking	
3	10	140 9214 150	Screw P Torx 30x40 FZB	
4	1	140 5496 510	Switch	
5	1 >>	140 6560 500	Anti strain clip	UL-approved
6	4	140 9214 040	Screw	
7	1	140 3859 050	Cord set, grounded colour:yellow	Length 49 ft (15 m)
8	2	140 8092 500	Carbon brushes	Kit with 2 brushes
9	4	140 6792 000	Spring	
10	1	140 8166 010	Suppressor - Capicator	
11	1	147 1120 540	Fan unit, Ametek 8.5A 1000W	Kit w. wires.
12	1	140 6633 010	Silencer	UL-approved
13	1	140 6558 000	Insulation, silencer	
14	>>			
15	1	140 6791 000	Gasket	
16	1	140 6556 000	Insulation, cover	
17	1	140 6448 030	Exhaust gable, grey	
18	1	140 6597 500	Exhaust filter 3 pcs	
19	1	140 6426 030	Cover strip, grey	
20	1	140 6443 050	Cover, grey	UL-approved
21	6	140 6796 000	C-clip	
22	3	140 6797 000	Spring nut	
23	1	140 6798 000	Gasket	
24	1	140 6446 030	Inner suction gable, grey	
25	1	140 6447 030	Outer suction gable, grey	
26	1	140 6699 030	Suction gable compl. grey	
27	1	140 7302 000	Gasket	
28	1	140 6554 010	Dust bag 5-pack	5 pcs.
28	1	140 6554 020	Dust bag 10-pack	10 pcs.
28	1	140 6554 040	Dust bag high filtration, 5-pack	5 pcs.
28	1	140 6554 050	Dust bag high filtration, 10-pack	10 pcs.
29	1	140 6794 010	Pre filter,	
29c	1	140 7160 010	Hepa-filter, cpl.	
29d	1	140 5666 000	Gasket	
30	1	140 7148 010	Partition wall	UL-approved
31	1	140 6799 000	Gasket	
32	1	140 6557 000	Insulation, back	
33	1	093 1027 010	Sleeve	
35	1	140 6906 030	Back part cpl. grey	
35	1	140 6906 040	Back part cpl. grey	UL-approved
36	2	140 7696 000	Washer	
37	2	140 6559 010	Screw for belt 140 7343 000	
38	1	140 5358 000	Insulation	
39	1	140 6824 000	Filter holder	
40	1 >>	140 3894 500	Thermo protector	
41	1	147 0808 510	Cord retainer clip	

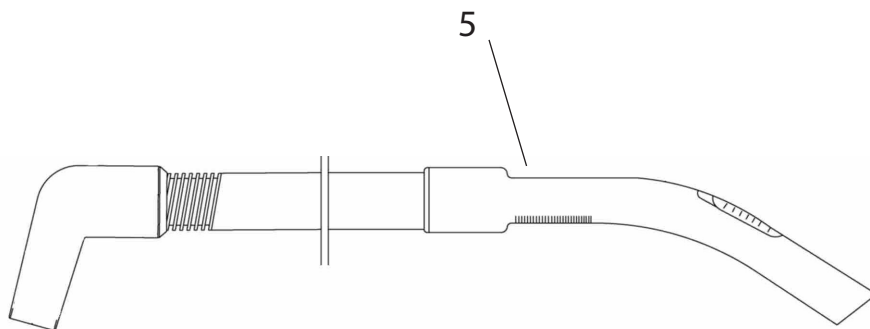
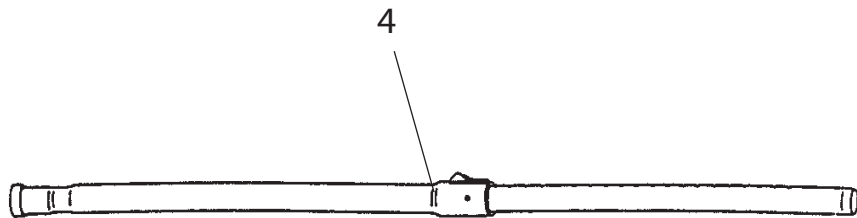
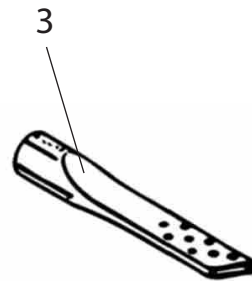
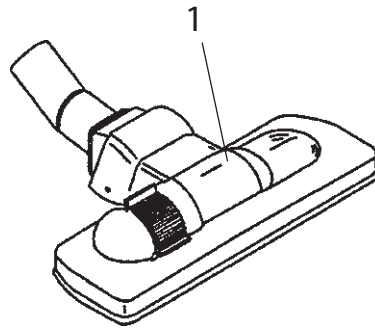
>> Means: New or changed ref. number or/and changed/new specifications.

**SPARE PARTS LIST ADGILITY**

**4**

**NOZZLES & HOSE, LINE DRAWING**

**05-10**

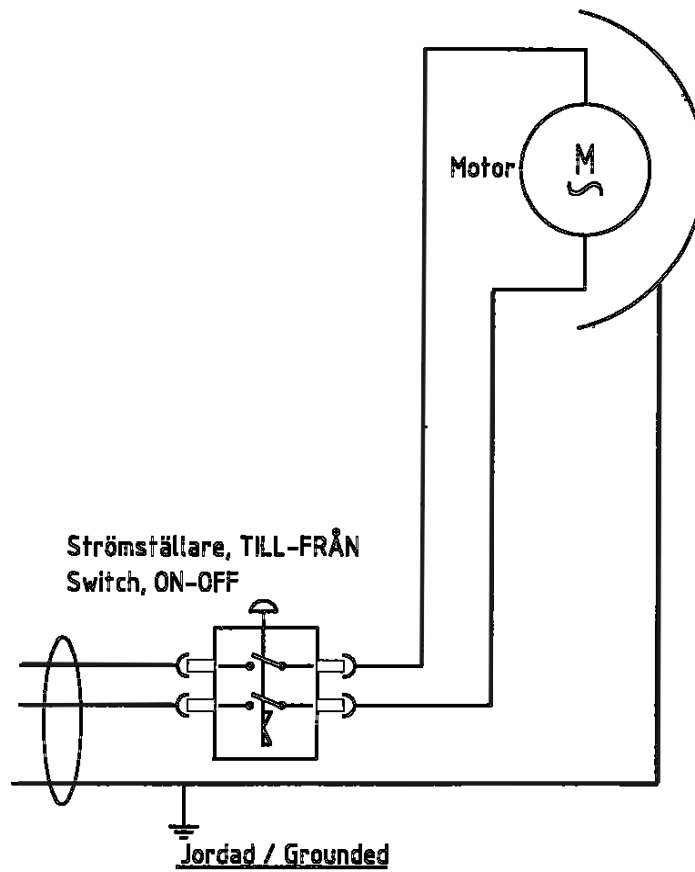


**SPARE PARTS LIST ADGILITY****11-07****NOZZLES & HOSE, PART NUMBERS****5**

<b>Item.</b>	<b>Qty.</b>	<b>Part No</b>	<b>Description</b>	<b>Note</b>
1	1 >>	140 8492 510	Combi nozzle	Ø 0.10 ft (32 mm) Grey
2	1	11276901	Brush nozzle	Ø 0.10 ft (32 mm) Grey
3	1	81530400	Crevice nozzle	Ø 0.10 ft (32 mm) Grey
4	1	81906500	Telescopic tube, steel.	Ø 0.10 ft (32 mm) max length 3.7 ft (1130 mm)
5	1 >>	140 8070 000	Hose cpl. w. aluminium bent end	

&gt;&gt; Means: New or changed ref. number or/and changed/new specifications.

Termoskydd ingår i motorn.  
Thermal protection incl. in motor.



**SPARE PARTS LIST ADGILITY**



<b>05-10</b>				<b>7</b>
--------------	--	--	--	----------

**WHEN ORDERING PARTS ALWAYS STATE:**

- \* The 10 or 8 digit part numbers
- \* Quantity
- \* Specify the model and serial numbers of the machine.

**For Electrical details also:**

- \* Voltage
- \* Wattage



**USA**

Nilfisk-Advance Inc.  
14600 21st Avenue North  
Plymouth, MN 55447-3408  
Tel.: (763) 745 3500  
Fax : (763) 745 3718

**CANADA**

Nilfisk-Advance Canada Company  
240 Superior Boulevard  
Mississauga, ON L5T 2L2  
Tel.: 905-564-1149  
Fax: 905-564-1030

[www.mn.nilfisk-advance.com](http://www.mn.nilfisk-advance.com)

© 2011 Nilfisk-Advance