



## Electronic Service Manuals

This electronic document is provided as a service to our customers. We do not create the contents of the information contained in this document. Should you have detailed questions pertaining to the information contained in this document, you may contact Michco, or the manufacturer which provided the original information in this electronic deliverable. Michco's only part in this electronic deliverable was the electronic assembly process. By providing this manual on line we are not guaranteeing parts availability.

You may contact Michco through the following methods:

Phone (517) 484-9312 or (800) 331-3339

2011 N. High St. -- Lansing, Michigan -- 48906

Fax: (517) 484-9836

Email: [CustServe@Michco.com](mailto:CustServe@Michco.com)

Web site: [www.Michco.Com](http://www.Michco.Com)

Parts Web site: [www.FloorMachineParts.Com](http://www.FloorMachineParts.Com)

Order Parts on Line at:

**[www.FloorMachineParts.Com](http://www.FloorMachineParts.Com)**

Directly to Parts & Service:

By Email: **[Shop@Michco.com](mailto:Shop@Michco.com)**

By Fax: (517) 702-2041

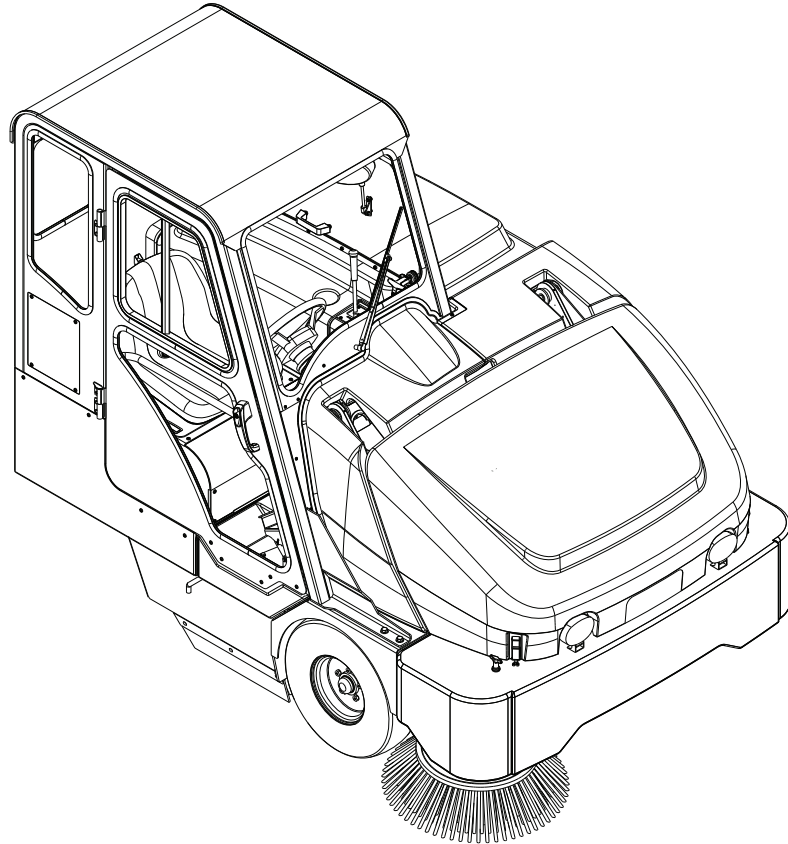
By Voice: Use numbers above.

**Serving the Cleaning Industry Since 1922**

Notice: All copyrighted material remains property of original owners, all trademarks are property of respective owners. Manuals are subject to Manufacturer's reproduction limitations. Originals or reproductions were provided by manufacturers through a request. We make no warranty as to the correctness of information provided in this document and you assume all risk. By placing these manuals on line we are not declaring our corporation to be an manufacturer authorized dealer or provider, please check our web site for authorized manufacturers we represent.

# SW8000

---



---

## **PARTS LIST - CAB ADDENDUM**

**Models: 56107509 (4 cyl LPG), 56107507 (4 cyl Petrol), 56107511 (4 cyl Diesel)**



# Advance

11/12 revised 8/14 FORM NO. 56042601 REV B



## TABLE OF CONTENTS

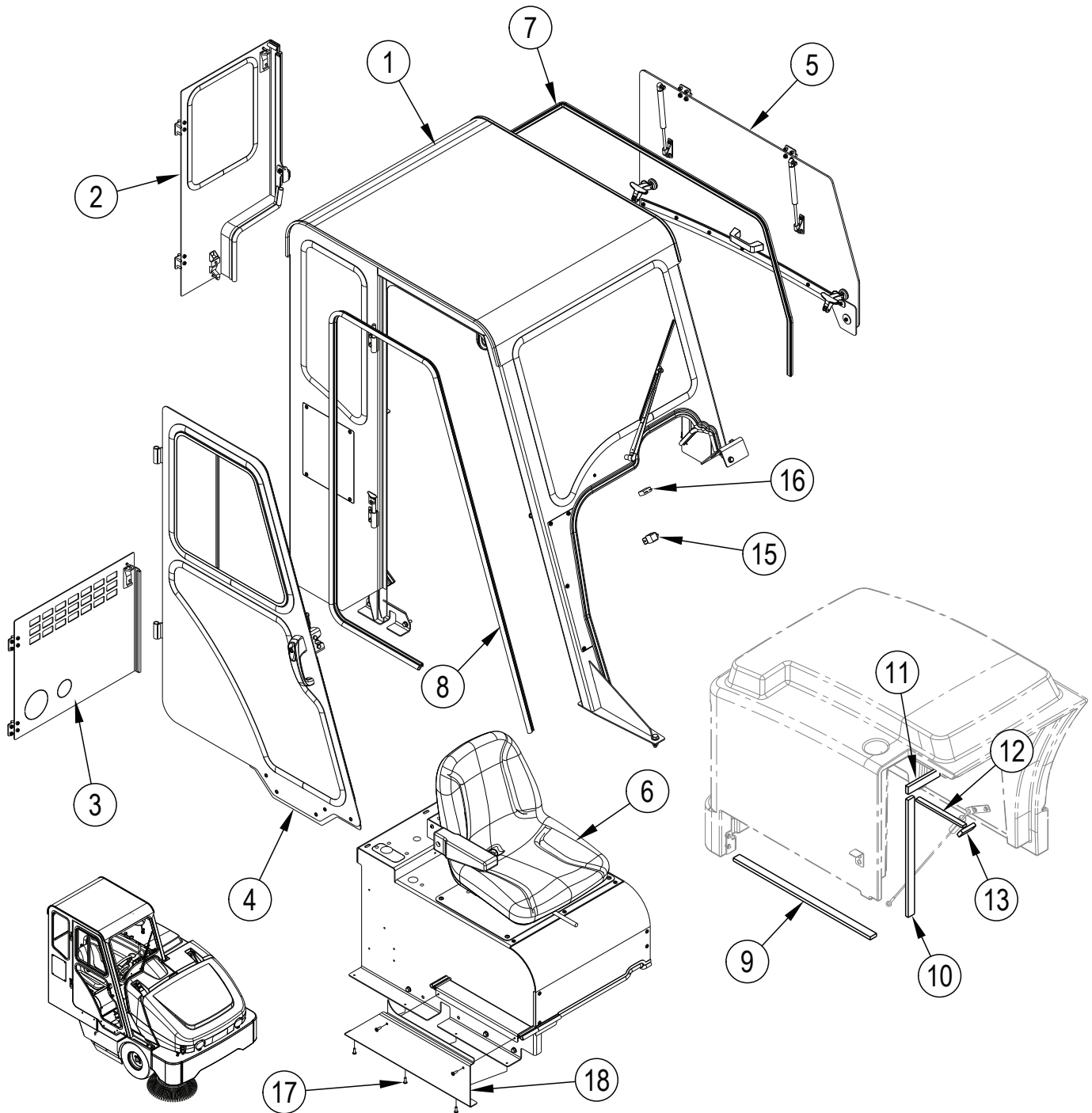
DESCRIPTION	PAGE
Cab System.....	2-3
Cab System – Access Door Assembly .....	4-5
Cab System – Cab Frame Assembly.....	6-7
Cab System – Cover Assembly.....	8-9
Cab System – Door Assembly.....	10-11
Cab System – Window Assembly.....	12-13
Cab System – Seat Assembly .....	14-15
Diesel Fuel Tank Assembly.....	16-17
LPG Fuel Tank Assembly .....	18-19
Petrol Fuel Tank Assembly .....	20-21
Cab Heater-Pressurizer Option .....	22-23
Cab Heater-Pressurizer and AC Option .....	24-25

### WHEN ORDERING PARTS

- \* Use the numbers from the “Ref. No.” columns in this parts list.
- \* Specify the model and serial number of the machine.
- \* Use the space below to record the model and serial number for future reference.

Model \_\_\_\_\_ Serial No. \_\_\_\_\_

## CAB SYSTEM

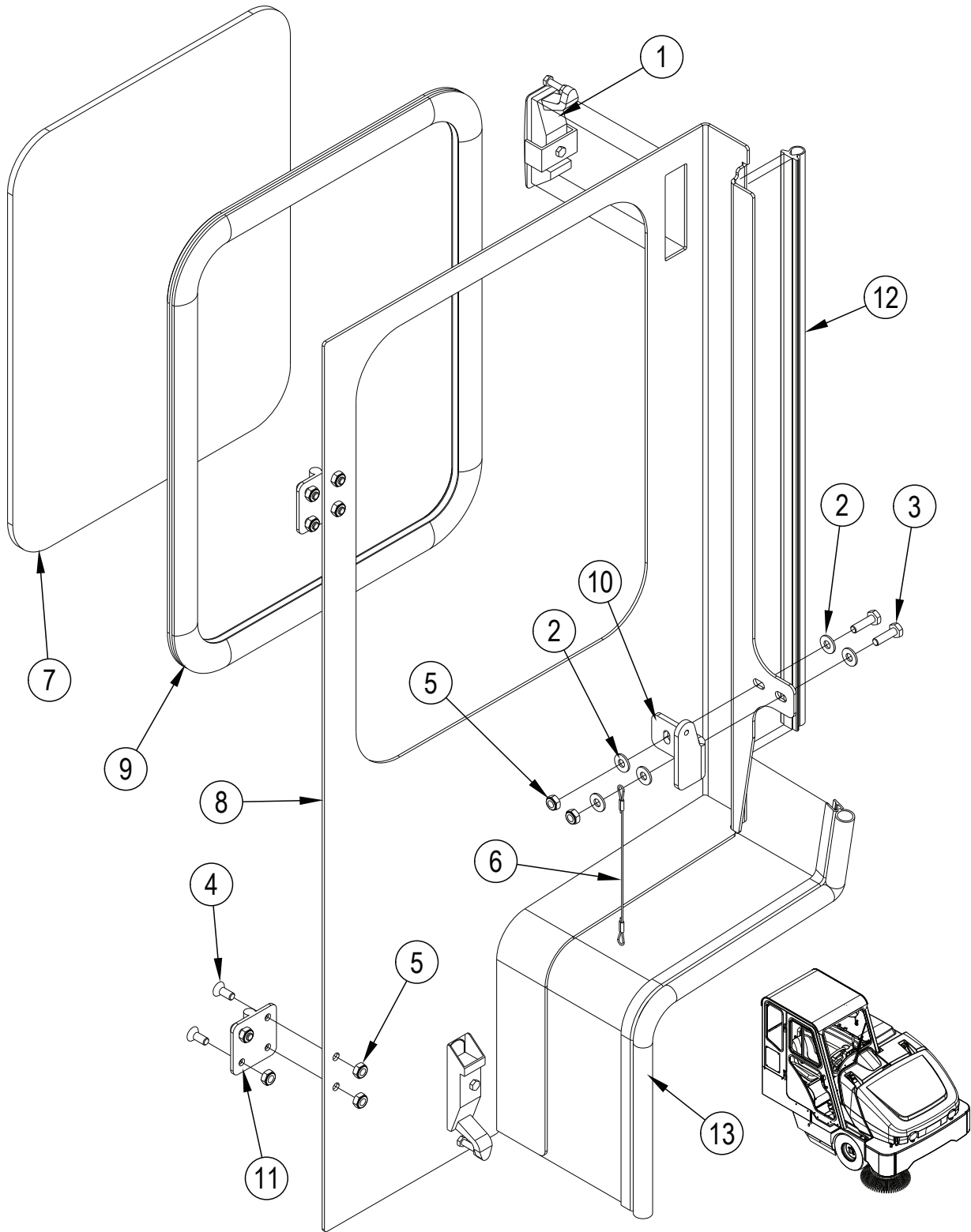


**CAB SYSTEM**

<b>Item</b>	<b>Ref. No.</b>	<b>Qty</b>	<b>Description</b>
1	56508022	1	Assy, Cab Frame
2	56508027	1	Assy, Access Door
3	56508030	1	Assy, Cover
4	56508531	1	Door Assy
5	56508536	1	Assy, Window
6	56508586	1	Seat Assy, Cab
7	56508590	1	Bulb Seal
8	56508599	1	Bulb Seal, Door
9	56508617	1	Gasket
10	56508618	1	Gasket
11	56508619	1	Gasket
12	56508620	1	Gasket
13	56508621	1	Gasket
[14]	56508734	1	Harness, Cab
15	56418387	1	Relay, SPDT
16	56413822	1	Circuit Breaker, 20 Amp
17	56009126	5	Scr, Pan Phil Thd Form 1/4-20 x .75
18	56508864	1	Panel, Cover

[ ] = Not Shown

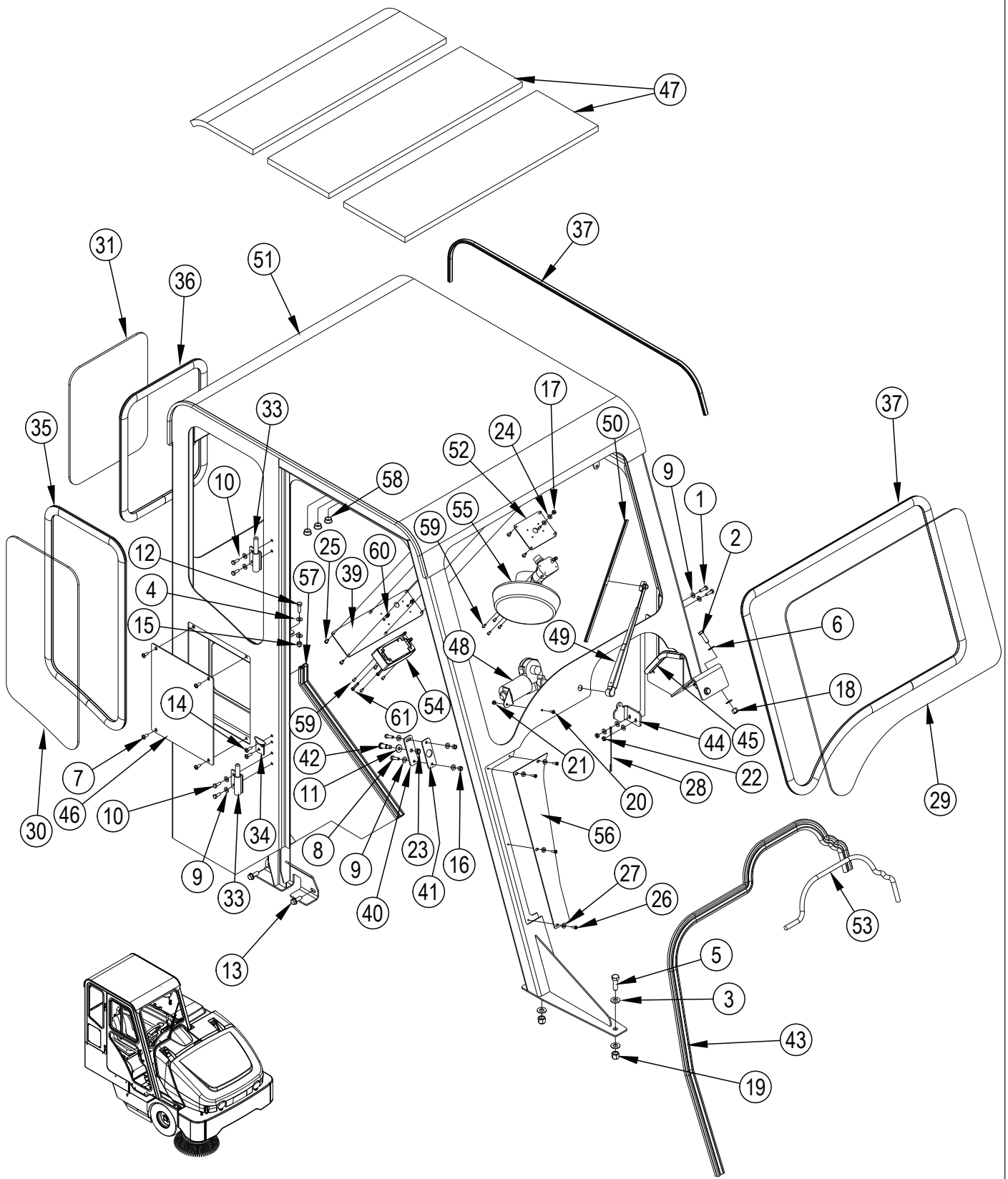
### CAB SYSTEM - ACCESS DOOR ASSEMBLY



**CAB SYSTEM - ACCESS DOOR ASSEMBLY**

<b>Item</b>	<b>Ref. No.</b>	<b>Qty</b>	<b>Description</b>
	56508027	1	Assy, Access Door
1	56418471	2	Door Latch
2	56002098	5	Wsh, Flt SAE 1/4
3	56001821	2	Scr, Hex 1/4-20 X .88
4	56002760	8	Scr, Flt Phil 1/4-20 X .62
5	56002840	10	Nut, Hex Nyl Loc-Thin 1/4-20
6	56410254	1	Wire Rope, 6 Inch
7	56508045	1	Window, Glass
8	56508135	1	Wldt, Rear Door
9	56508263	1	Weatherstrip, Window
10	56508583	1	Brkt, Window Latch
11	56508589	2	Hinge, Door
12	56508591	1	Bulb Seal
13	56508593	1	Bulb Seal

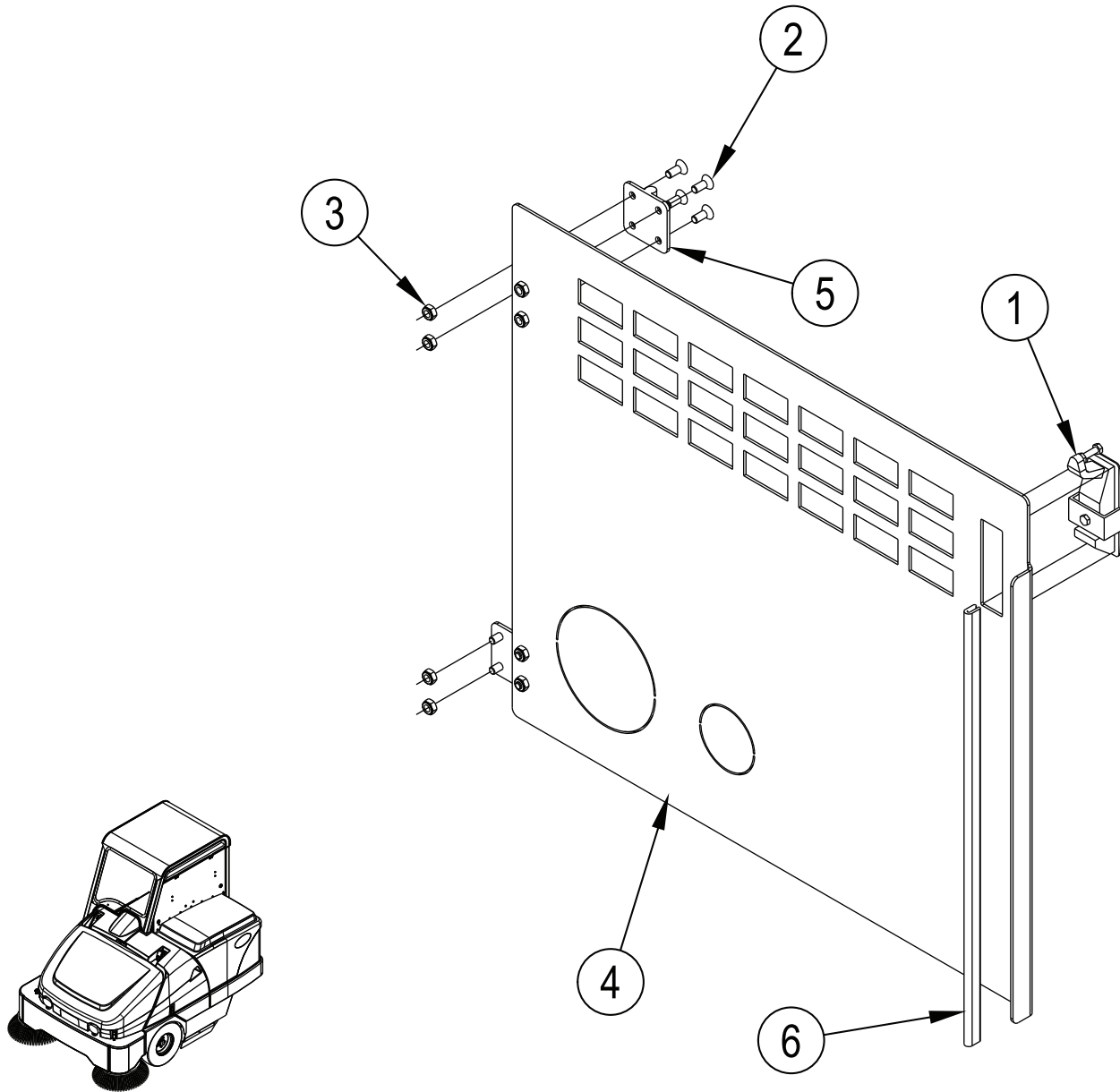
### CAB SYSTEM - CAB FRAME ASSEMBLY



## CAB SYSTEM - CAB FRAME ASSEMBLY

Item	Ref. No.	Qty	Description	Item	Ref. No.	Qty	Description
	56508022	1	Assy, Cab Frame	31	56508045	1	Window, Glass
1	56001821	2	Scr, Hex 1/4-20 X .88	33	56508140	2	Weldt, Hinge
2	56001858	3	Scr, Hex 3/8-16 X 1.25	34	56508142	1	Brkt, Hinge Retainer
3	56001879	3	Wsh, Flt SAE 1/2	35	56508262	1	Weatherstrip, Window
4	56001939	4	Wsh, Flt SAE 5/16	36	56508263	1	Weatherstrip, Window
5	56001968	1	Scr, Hex 1/2-13 X 1.50	37	56508264	1	Weatherstrip, Windshield
6	56002063	6	Wsh, Flt SAE 3/8	38	56508534	2	Edging, Rubber
7	56002066	4	Scr, Pan Phil 1/4-20 X .62	39	56508575	1	Plate, Dome Light
8	56002093	2	Scr, Hex 1/4-20 X 1.00	40	56508578	1	Plate, Latch Pin
9	56002098	13	Wsh, Flt SAE 1/4	41	56508579	1	Shim, Latch Pin
10	56002155	4	Scr, Hex 1/4-20 X .75	42	56508580	1	Pin, Latch
11	56002220	1	Wsh, Flt Std 5/16	43	56508581	1	Gasket, Console
12	56002221	2	Scr, Hex 5/16-18 X 1.00	44	56508582	1	Brkt, Window Latch
13	56002256	2	Scr, Hex Type 1 3/8-16 X 1.00	45	56508600	1	Bulb Seal
14	56002507	2	Scr, Pan Phil 1/4-20 X .75	46	56508624	1	W/D Filter Cover
15	56002701	2	Nut, Hex Nyl Loc 5/16-18	47	56508628	3	Headliner, Foam
16	56002708	2	Nut, Hex Nyl Loc 1/4-20	48	56508636	1	Wiper Motor
17	56002768	1	Nut, Hex Nyl Loc 10-24	49	56508637	1	Wiper Arm
18	56002769	3	Nut, Hex Nyl Loc 3/8-16	50	56508638	1	Wiper Blade
19	56002770	2	Nut, Hex Nyl Loc 1/2-13	51	56508745	1	Weldt, Cab Frame
20	56002831	1	Scr, Pan Phil Blk 10-24 X .50	52	56508817	1	Weldt, Fan Mount
21	56002832	1	Nut, Hex Nyl Loc-Thin 10-24	53	56508818	1	Gasket, Round
22	56002840	2	Nut, Hex Nyl Loc-Thin 1/4-20	54	56508819	1	Assy, Dome Light
23	56002841	1	Nut, Hex Nyl Loc-Thin 3/8-16	55	56508820	1	Assy, Dash Fan
24	56009011	2	Wsh, Int Shprf #10	56	56508831	1	Window, Side Broom
25	56009082	10	Scr, Pan Phil Thd Form-Blk 10-24 X .50	57	56508863	1	Bulb Seal
26	56009100	4	Scr, Pan Phil Thd Form-Blk 10-24 X .62	58	56900041	3	Plug, Cap
27	56209261	4	Washer, Sealing 9/16	59	2-00-01081	8	Screw, #23 Tc. Ph. Rd. Hd.
28	56410254	1	Wire Rope, 6 Inch	60	2-00-05324	2	Insert, #8-32 Thread
29	56508041	1	Windshield, Glass	61	2-00-00090	2	Screw, #8-32 x 1.50 LG, RHM
30	56508044	1	Window, Glass				

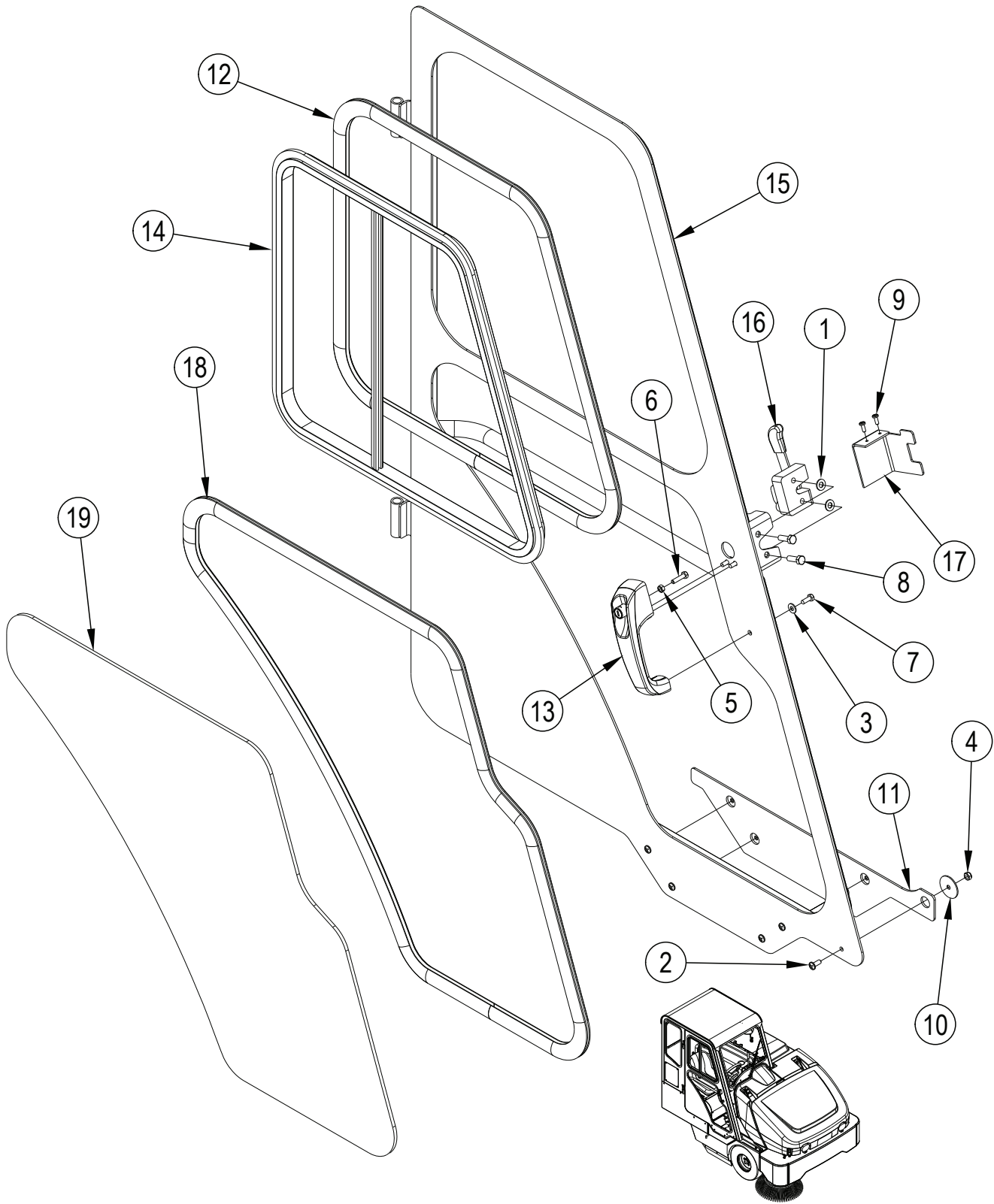
### CAB SYSTEM - COVER ASSEMBLY



**CAB SYSTEM - COVER ASSEMBLY**

<b>Item</b>	<b>Ref. No.</b>	<b>Qty</b>	<b>Description</b>
	56508030	1	Assy, Cover
1	56418471	1	Door Latch
2	56002760	8	Scr, Flt Phil 1/4-20 X .62
3	56002840	8	Nut, Hex Nyl Loc-Thin 1/4-20
4	56508291	1	Door, Access
5	56508589	2	Hinge, Door
6	56508842	1	Edging

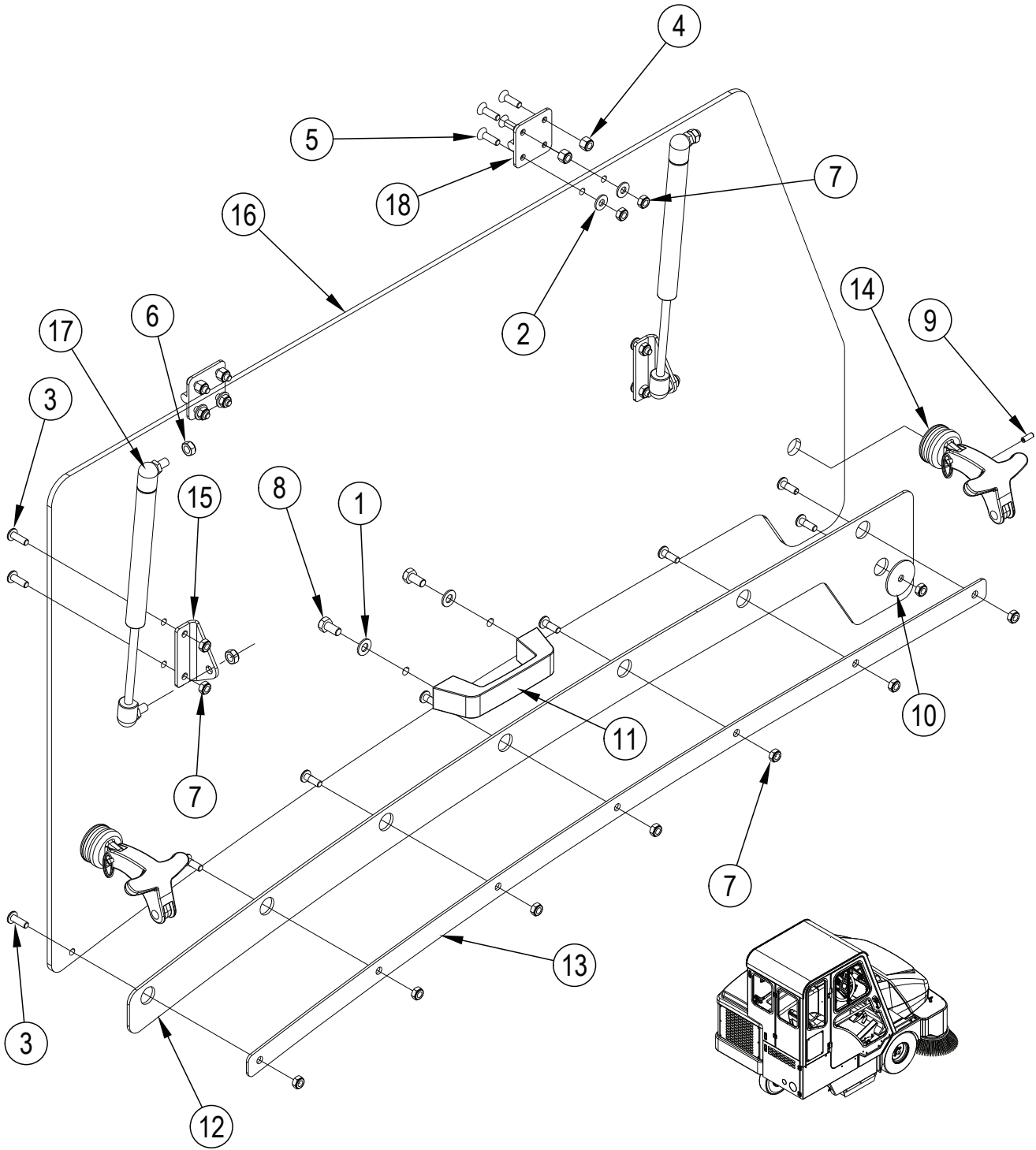
### CAB SYSTEM - DOOR ASSEMBLY



## CAB SYSTEM - DOOR ASSEMBLY

Item	Ref. No.	Qty	Description
	56508531	1	Door Assy
1	56001939	2	Wsh, Flt SAE 5/16
2	56002066	5	Scr, Pan Phil 1/4-20 X .62
3	56002098	3	Wsh, Flt SAE 1/4
4	56002840	5	Nut, Hex Nyl Loc-Thin 1/4-20
5	56003350	1	Nut, Hex M6-1
6	56003358	1	Scr, Hex M6-1 X 25mm
7	56003441	3	Scr, Hex Loc M6-1 X 16mm
8	56003477	2	Scr, Hex Loc SS M8-1 X 25mm
9	56009082	2	Scr, Pan Phil Thd Form-Blk 10-24 X .50
10	56009225	5	Wsh, Fender .281x1.50x.074
11	56508112	1	Seal, Door
12	56508530	1	Weatherstrip Window
13	56508279	1	Handle, Door
[ ]	56508934	A/R	Key
14	56508482	1	Window, Slider
15	56508518	1	Frame, Door
16	56508527	1	Latch, Single Rotor
17	56508528	1	Cover, Latch
18	56508532	1	Weatherstrip, Window
19	56508533	1	Window, Glass

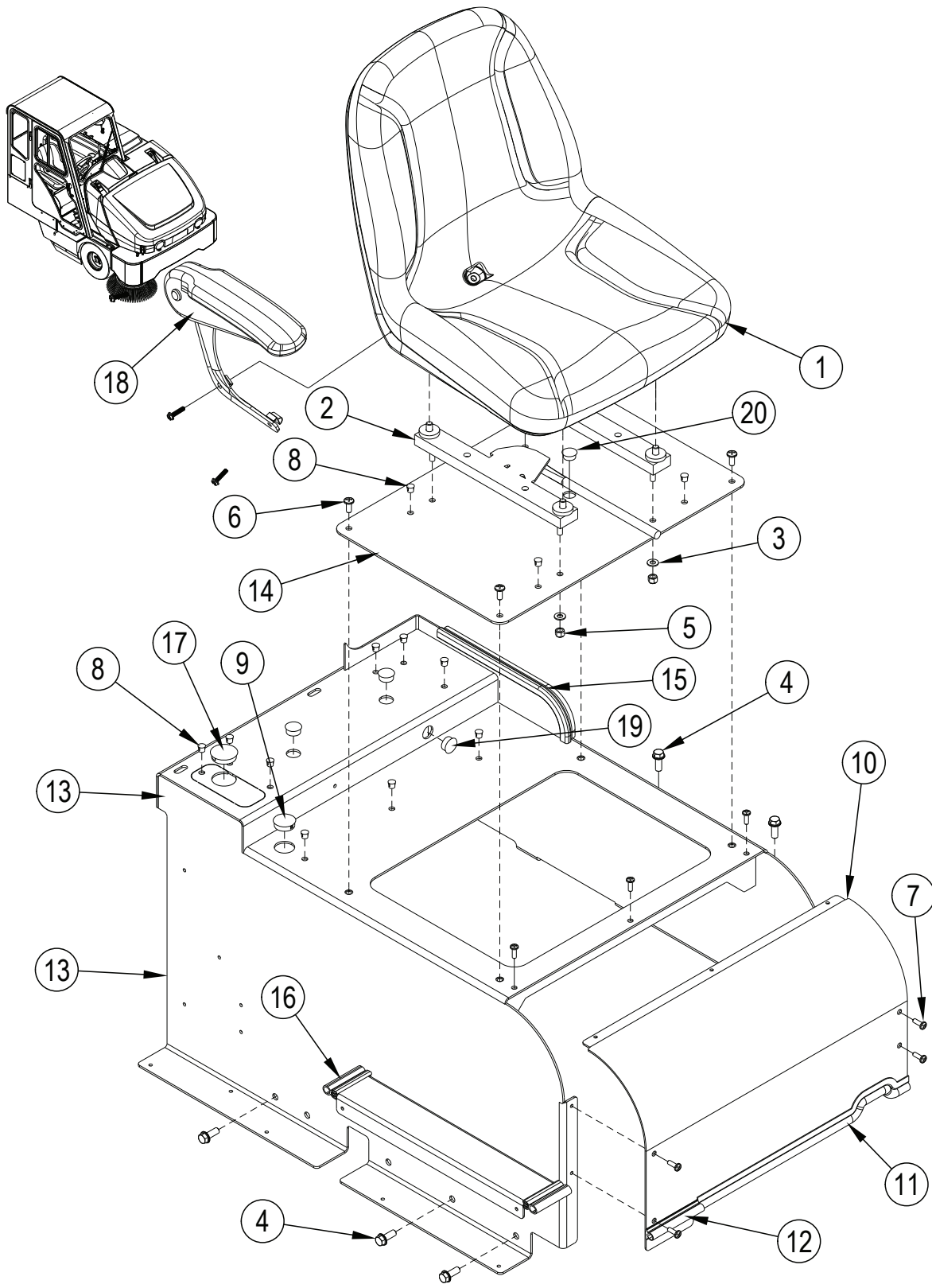
### CAB SYSTEM - WINDOW ASSEMBLY



**CAB SYSTEM - WINDOW ASSEMBLY**

<b>Item</b>	<b>Ref. No.</b>	<b>Qty</b>	<b>Description</b>
	56508536	1	Assy, Window
1	56001939	2	Wsh, Flt SAE 5/16
2	56002098	4	Wsh, Flt SAE 1/4
3	56002507	12	Scr, Pan Phil 1/4-20 X .75
4	56002708	4	Nut, Hex Nyl Loc 1/4-20
5	56002711	8	Scr, Flt Phil 1/4-20 X .88
6	56002826	4	Nut, Hex Nyl Loc-Thin 5/16-18
7	56002840	16	Nut, Hex Nyl Loc-Thin 1/4-20
8	56003178	2	Scr, Hex M8-1.25 X 16mm
9	56003766	2	Pin, Spr .19 X .50
10	56009225	1	Wsh, Fender .281 x 1.50 x .074
11	56508125	1	Handle, Window
12	56508126	1	Seal, Window
13	56508132	1	Clamp, Gasket
14	56508283	2	Latch, Window
15	56508284	2	Bracket, Spring
16	56508539	1	Window, Left Side
17	56508584	2	Gas Cylinder
18	56508589	2	Hinge, Door

### CAB SYSTEM - SEAT ASSEMBLY



**CAB SYSTEM - SEAT ASSEMBLY**

Item	Ref. No.	Qty	Description
	56508586	1	Seat Assy, Cab
1#	56383291	1	Seat-8 In. Mount <b>NOTE 1</b>
2	7-72-05005	1	Slide, Seat
3	56001939	4	Wsh, Flt SAE 5/16
4	56002256	6	Scr, Hex Type 1 3/8-16 X 1.00
5	56002701	4	Nut, Hex Nyl Loc 5/16-18
6	56002793	4	Scr, Pan Phil 5/16-18 X .75
7	56009126	7	Scr, Pan Phil Thd Form 1/4-20 X .75
8	56493149	13	Plug, Cap
9	56508250	1	Plug, Cap
10	56508548	1	Panel, Seat Base
11	56508596	1	Gasket
12	56508598	1	Bulb Seal
13	56508851	1	Weldt, Seat Base
14	56508856	1	Plate, Seat Mount
15	56508857	1	Bulb Seal
16	56508858	2	Bulb Seal
17	56744814	1	Plug, Cap
18#	56383189	1	Arm Rest Kit-R/H Only <b>NOTE 2</b>
18#	7-03-04250	1	Arm Rest RH Only <b>NOTE 3</b>
19	2-00-06574	3	Cap, .875" Dia.
20	56900051	1	Plug, Cap

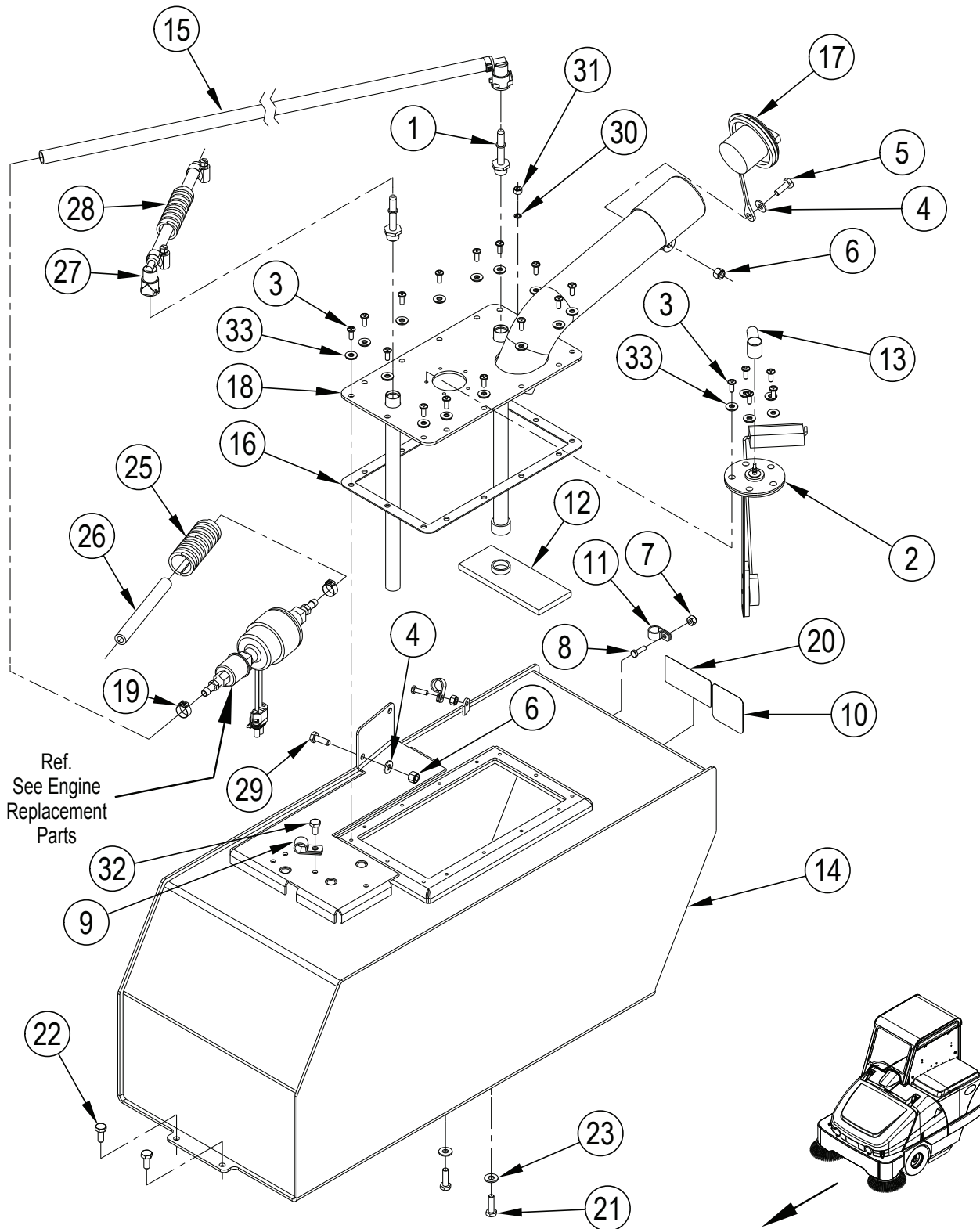
# = Revised or new since last update

**NOTE 1:** Seat 7-69-00008 has been replaced in production with Seat 56383291. If you need to replace Seat 7-69-00008 please order Seat Kit 56383467.

**NOTE 2:** Arm Rest Kit 56383189 is only for use on Seat 56383291.

**NOTE 3:** Arm Rest Kit 7-03-04250 is only for use on Seat 7-69-00008.

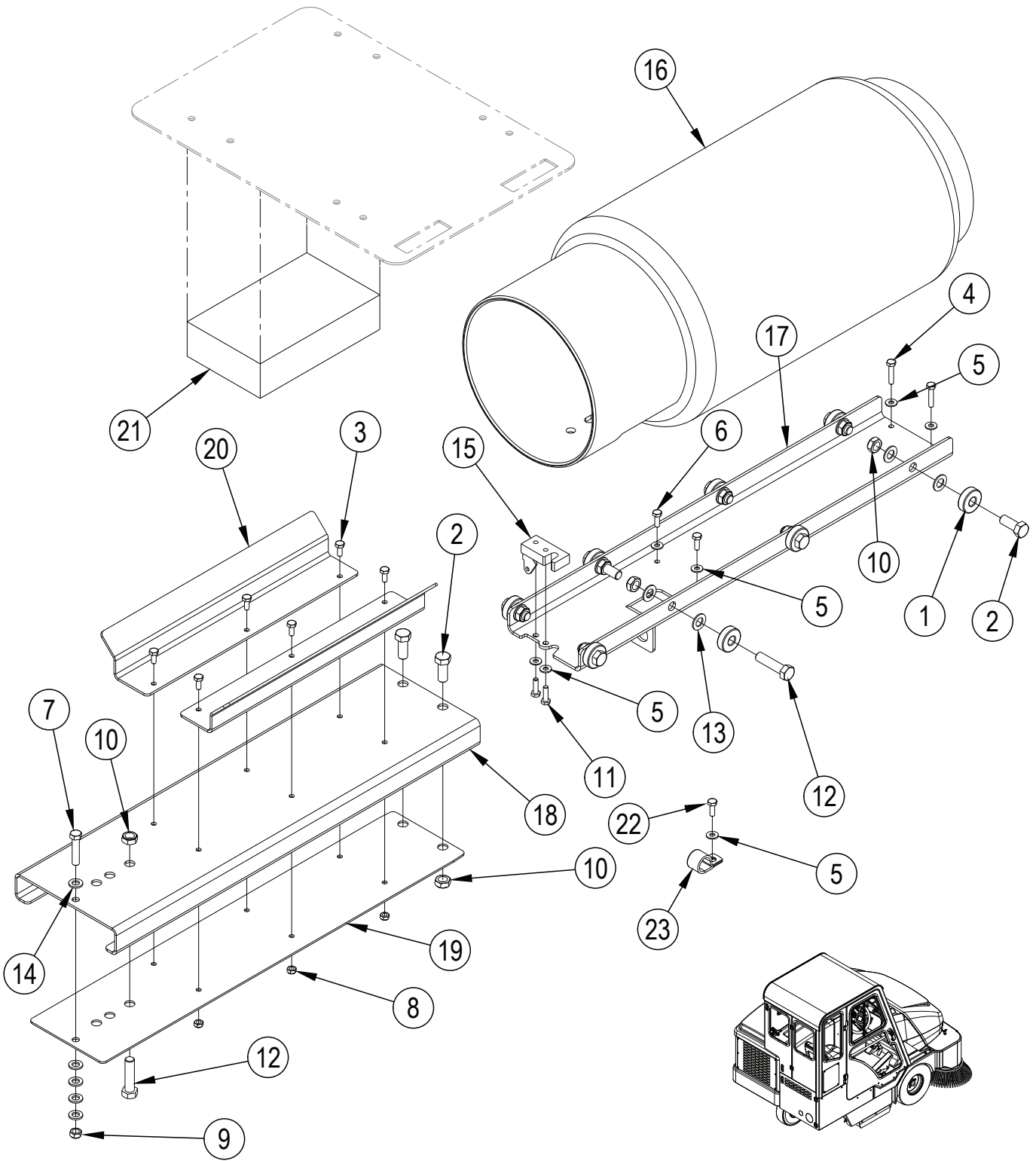
### DIESEL FUEL TANK ASSEMBLY



**DIESEL FUEL TANK ASSEMBLY**

Item	Ref. No.	Qty	Description
	56508463	1	Tank, Diesel Assy (1-20, 29-33)
1	7-11-04083	2	-6 SAE X 5/16 Quick Connect Fitting
2	56478358	1	Sender, Fuel Level
3	56001993	19	Scr, Pan Phil 10-24 X .50
4	56002098	2	Wsh, Flt SAE 1/4
5	56002155	1	Scr, Hex 1/4-20 X .75
6	56002708	2	Nut, Hex Nyl Loc 1/4-20
7	56002768	2	Nut, Hex Nyl Loc 10-24
8	56002829	2	Scr, Hex 10-24 X .62
9	56486112	1	Clamp, P
10	56025454	1	Decal, Diesel Fuel
11	56056903	2	Clamp, P
12	56419307	1	Strainer, Fuel
13	56492305	1	Boot, Rubber
14	56507946	1	Fuel Tank Weldt
15	56507957	1	Hose Assy
16	56508349	1	Gasket, Cover
17	56508354	1	Fuel Cap
18	56508464	1	Cover Plate Weldt
19	56508515	2	Clamp
20	56109404	1	Decal, Low Sulfur Diesel
21	56001821	2	Scr-Hex 1/4-20 x .88
22	56009033	2	Scr Hex Thd Form 1/4-20x.50
23	56002098	2	Wsh, Flt SAE 1/4
25	56508357	1	Conduit
26	56508358	1	Hose, Fuel
27	56508646	1	Hose Assy
28	56508654	1	Conduit, Black .75
29	2-00-00221	1	Scw-HHC .25-20 X .75 Gr 8 Zn
30	2-00-00506	1	Lk Wash Int Tooth 8 Dia Screw
31	56002808	1	Nut, Hex Nyl Loc 8-32
32	56009033	1	Scr Hex Thd Form 1/4-20 x .50
33	56209261	19	Washer, Sealing 9/16

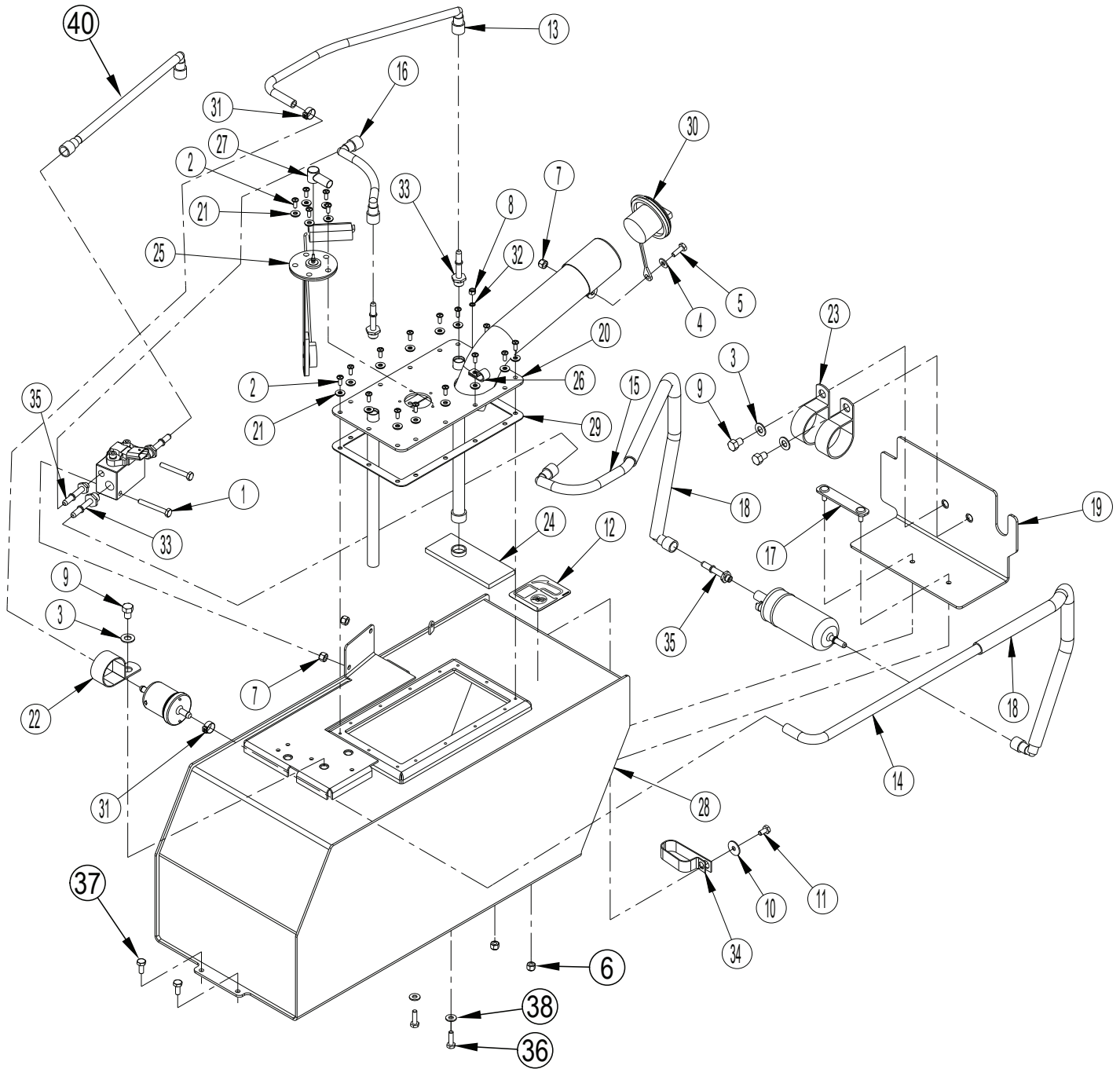
# LPG FUEL TANK ASSEMBLY



## LPG FUEL TANK ASSEMBLY

Item	Ref. No.	Qty	Description
	56508609	1	Rollout LP Tank
1	2-00-03306	8	Bearing
2	56001831	8	Scr, Hex 1/2-13 X 1.25
3	56001836	6	Scr, Hex 1/4-20 X .62
4	56002047	2	Scr, Hex Thd To Hd 1/4-20 X 1.25
5	56002098	7	Wsh, Flt SAE 1/4
6	56002155	2	Scr, Hex 1/4-20 X .75
7	56002684	1	Scr, Hex 3/8-16 X 1.75
8	56002840	6	Nut, Hex Nyl Loc-Thin 1/4-20
9	56002841	1	Nut, Hex Nyl Loc-Thin 3/8-16
10	56002843	11	Nut, Hex Nyl Loc-Thin 1/2-13
11	56002960	2	Scr, Hex Hd Loc 1/4-20x.88
12	56003740	3	Scr, Hex Thd To Hd 1/2-13 X 2.00
13	56009017	16	Wsh, Flt Harden .516 x .938 x .75
14	56009214	5	Wsh, Flt .406 x .750 x .090
15	56413802	1	Latch, RH
16	56456590	1	L.P. Tank, 33lb.
17	56508610	1	Brkt, Tank Slide
18	56508611	1	Brkt, Tank Slide
19	56508612	1	Plate, Tank Slide
20	56508613	2	Brkt, LP Tank
21	56508824	1	Foam, LP Tank – Cab
22	56009018	1	Scr, Hex Thd Form 1/4-20 x .75
23	56496276	1	Clamp, Hose Support

# PETROL FUEL TANK ASSEMBLY

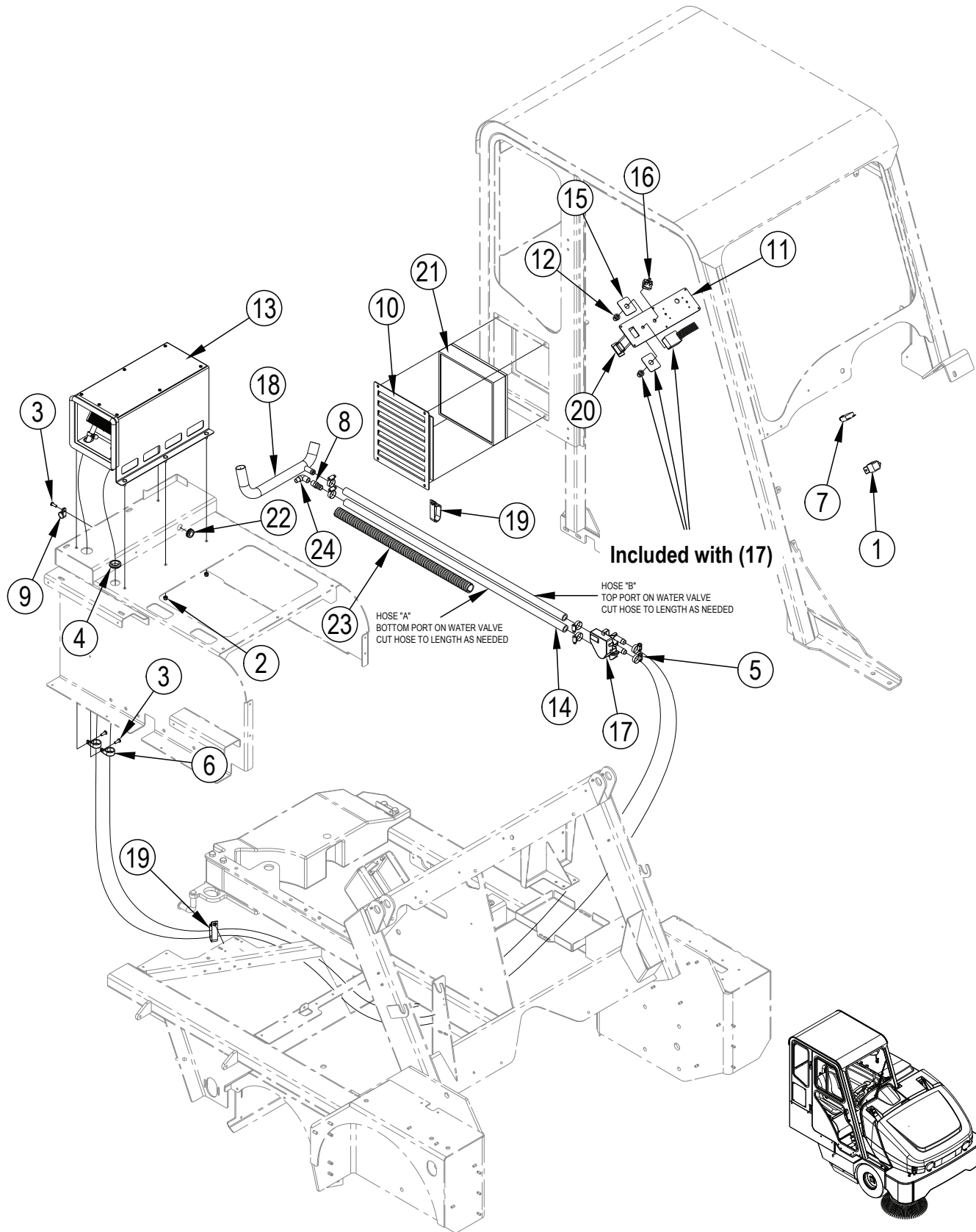


## PETROL FUEL TANK ASSEMBLY

Item	Ref. No.	Qty	Description
	56107667	1	Tank, Petrol Assy Cab <b>(1-35)</b>
1	56001874	2	Scr-Hex 1/4-20 X 2.00
2	56001993	19	Scr-Pan Phil 10-24 X .50
3	56002063	3	Wsh, Flt Sae 3/8
4	56002098	1	Wsh, Flt Sae 1/4
5	56002155	1	Scr-Hex 1/4-20 X .75
6	56002491	2	Nut-Hex Nyl Loc Ss 1/4-20
7	56002708	3	Nut, Hex Nyl Loc 1/4-20
8	56002808	1	Nut, Hex Nyl Loc 8-32
9	56003023	3	Scr-Hex Hd Loc 3/8-16x.50
10	56009002	1	Wsh, Flt .266 X .906 X .060
11	56009033	1	Scr, Hex Thd Form 1/4-20 X .50
12	56016226	1	Decal. Unleaded Fuel
13	56107594	1	Fuel Hose Assy
14	56107595	1	Fuel Hose Assy
15	56107596	1	Fuel Hose Assy
16	56107754	1	Fuel Hose Assy
17	56107767	1	Plate-Screw
18	56107772	2	Conduit-Black-20x.75
19	56107773	1	Guard-Fuel Pump Weldment
20	56107777	1	Cover Plate Weldt-Cab
21	56209261	19	Washer, Sealing 9/16
22	56305024	1	P-Clamp
23	56305492	2	Clamp, P
24	56419307	1	Strainer, Fuel
25	56478358	1	Sender, Fuel Level
26	56486112	1	Clamp-P
27	56492305	1	Boot, Rubber
28	56507946	1	Fuel Tank Weldt
29	56508349	1	Gasket, Cover
30	56508354	1	Fuel Cap
31	56508515	2	Clamp
32	2-00-00506	1	Lk Wash Int Tooth 8 Dia Screw
33	7-11-04083	4	-6 SAE X 5/16 Quick Connect Fitting
34	2-00-05253	1	Clamp, 3/4" Wire, Double
35	7-11-04084	2	-3 SAE X 5/16 Quick Connect Fitting
36	56001821	2	Scr-Hex 1/4-20 X .88
37	56009033	2	Scr Hex Thd Form 1/4-20x.50
38	56002098	2	Wsh, Flt SAE 1/4
40	56107597	1	Fuel Hose Assy
[ ]	56305790	1	Wire Asm, Pigtail <b>(fuel pump jumper)</b>
[ ]	56508003	1	Harness, Gasoline Sensor
[ ]	56508357	1	Conduit Black .75

[ ] = Not Shown

### CAB HEATER-PRESSURIZER OPTION - 1



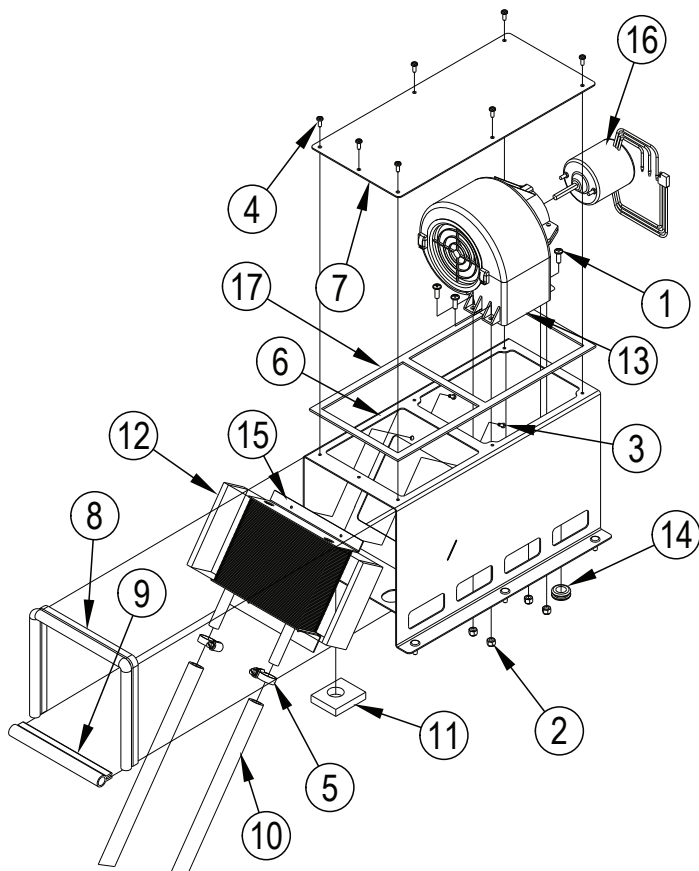
### CAB HEATER-PRESSURIZER OPTION - 1

Item	Ref. No.	Qty	Description
1	56418387	1	Relay, SPDT
2	56002708	5	Nut, Hex Nyl Loc 1/4-20
3	56009126	3	Scr, Pan Phil Thd Form 1/4-20 X .75
4	56055434	1	Grommet
5	56112771	6	Clamp, Hose SAE #10
6	56410223	2	Clamp, P
7	56413822	1	Circuit Breaker, 20 Amp
8	56456436	1	Barb, Adapter 5/8 X 3/8 NPT
9	56486112	1	Clamp, P
10	56508473	1	Cover, Cab Filter
11	56508777	1	Plate, Overhead Controls
12	56508778	1	Knob, Control
13	56508779	1	Assy, Heater Air Box (see below)
14	56508782	2	Hose, Heater
15	56508787	1	Decal, Cab Blower
16	56508794	1	Switch, 3-Speed
17	56508823	1	Assy, Heater Control
18	56508833	1	Tube, Coolant
19	2-00-05253	2	Clamp, 3/4" Wire, Double
20	2-00-05758	1	Cover, Blank Switch
21	8-24-04141	1	Filter
22	2-00-03878	1	Grommet
23	56419654	1	Conduit <b>NOTE 1</b>
24	56900021	1	Elbow Str 90 Deg. E00031 <b>NOTE 1</b>

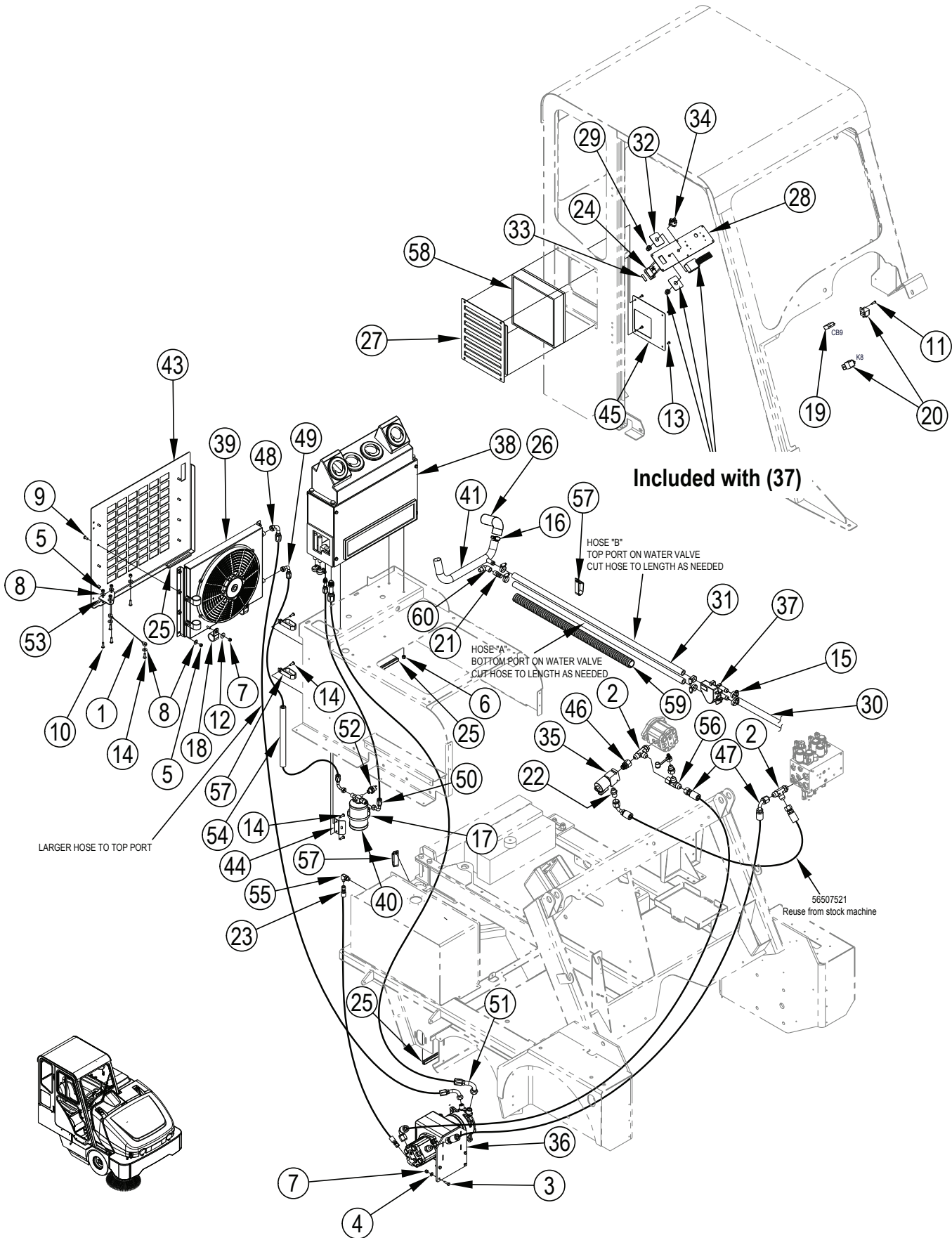
**NOTE 1:** Gasoline/Petrol and LPG models only.

### CAB HEATER-PRESSURIZER OPTION - 2

Item	Ref. No.	Qty	Description
	56508779	1	Assy, Heater Air Box
1	56002507	4	Scr, Pan Phil 1/4-20 X .75
2	56002708	4	Nut, Hex Nyl Loc 1/4-20
3	56009075	2	Scr, Hex Thd Form 8-32 X .38
4	56009082	7	Scr, Pan Phil Thd Form-Blk 10-24 X .50
5	56112771	2	Clamp, Hose SAE #10
6	56508475	1	Weldt, Heater Air Box
7	56508480	1	Cover, Air Box
8	56508656	1	Seal, Bulb
9	56508657	1	Bulb Seal
10	56508781	2	Hose, Heater
11	56508783	1	Foam, Heater Hose Gasket
12	56508784	2	Foam, Heater Core
13	8-23-00015	1	Blower Assembly
14	2-00-03878	1	Grommet
15	8-62-01015	1	Heater Core
16	0882-055	1	Motor, Blower
17	3-73-00056	4.5'	Seal Sponge Adhesive



### CAB HEATER-PRESSURIZER AND AC OPTION - 1



### CAB HEATER-PRESSURIZER AND AC OPTION - 1

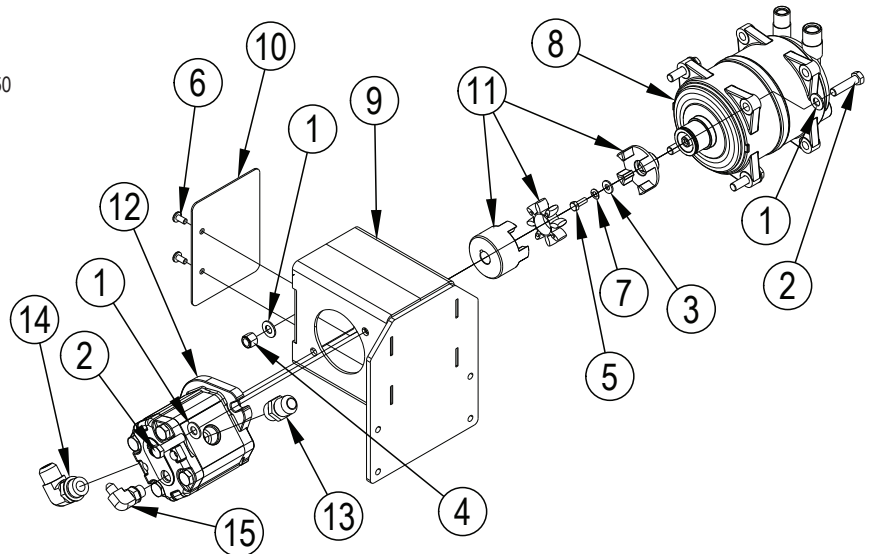
Item	Ref. No.	Qty	Description	Item	Ref. No.	Qty	Description
1	56325240	1	Wire Rope, 10 Inch	40	56508829	1	Receiver/Drier, A/C
2	56900205	2	Tee, Run O-Ring	41	56508833	1	Tube, Coolant
3	56001821	4	Scr-Hex 1/4-20 X .88	[42]	56508834	1	Harness, Exterra A/C
4	56002098	4	Wsh, Flt SAE 1/4	43	56508859	1	Door, Access
5	56002491	12	Nut, Hex Nyl Loc SS 1/4-20	44	56508860	1	Bracket, Rec/Drier
6	56002701	4	Nut, Hex Nyl Loc 5/16-18	45	56508862	1	Plate, Cover
7	56002708	8	Nut, Hex Nyl Loc 1/4-20	46	56508865	1	Fitting, Adapter
8	56002914	14	Wsh, Flt Std SS 1/4	47	56508866	2	Hose, Hydraulic
9	56002989	8	Scr-Pan Phil SS 1/4-20 X .62	48	56508867	1	Hose, Refrigerant
10	56003087	4	Scr-Pan Phil SS 1/4-20 X .88	49	56508868	1	Hose, Refrigerant
11	56003091	1	Scr, Pan Phil Plastite 10-14 X .75	50	56508869	1	Hose, Refrigerant
12	56009002	4	Wsh, Flt .266 X .906 X .060	51	56508870	1	Hose, Refrigerant
13	56009030	4	Scr, Pan Phil Thd Form 10-24 X .38	52	56508871	1	Switch, Binary
14	56009126	5	Scr, Pan Phil Thd Form 1/4-20 X .75	53	56508893	1	Bracket, Stop
15	56112771	8	Clamp- Hose SAE #10	54	56508895	1	Hose, Protective
16	56131601	1	Clamp- Hose SAE #16	55	56900110	1	Elbow, 90 O-Ring
17	56352829	1	Clamp- Hose SAE #52	56	56900345	1	Tee, Run W/Nut
18	56409463	4	Clamp, 1.25 Hose Support	57	2-00-05253	4	Clamp, 3/4" Wire, Double
19	56413822	1	Circuit Breaker, 20 Amp	58	8-24-04141	1	Filter
20	56418387	2	Relay, SPDT	59	56419654	1	Conduit <b>NOTE 1</b>
21	56456436	1	Barb, Adapter 5/8 X 3/8 NPT	60	56900021	1	Elbow Str 90 Deg. E00031 <b>NOTE 1</b>
22	56488612	1	Connector, O-Ring				
23	56507539	1	Hose Hyd, #4,SAE37, 2x Str 7-16-20 X 27.50 Lg				<b>A/C Service Parts</b>
24	56507889	1	Switch, DPST Rocker	[ ]	56508896	1	Fan, Condenser
25	56507905	3	Trim, Edge	[ ]	56508897	1	Relay, Condenser Fan
26	NA	1	Hose, Lower Radiator	[ ]	56508898	1	Fan, Blower
27	56508473	1	Cover, Cab Filter	[ ]	56508899	1	Switch, Thermostat
28	56508777	1	Plate, Overhead Controls	[ ]	56508900	1	Valve, Expansion
29	56508778	1	Knob, Control	[ ]	56508901	1	Coil, Heater
30	56508781	2	Hose, Heater	[ ]	56508902	1	Coil, Evaporator
31	56508782	2	Hose, Heater	[ ]	56508903	1	Filter, Recirculation
32	56508787	1	Decal, Cab Blower				
33	56508788	1	Decal, Cab A/C				
34	56508794	1	Switch, 3-Speed				
35	56508798	1	Valve, Hydraulic				
36	56508806	1	Assembly, A/C Compressor (see below)				
37	56508823	1	Assy-Heater Control				
38	56508827	1	Evaporator - Heater Unit				
39	56508828	1	Condenser, A/C				

[ ] = Not Shown

**NOTE 1:** Gasoline/Petrol and LPG models only.

### CAB HEATER-PRESSURIZER AND AC OPTION - 2

Item	Ref. No.	Qty	Description
1	56002063	12	Wsh, Flt SAE 3/8
2	56002095	6	Scr, Hex 3/8-16 X 1.50
3	56002098	1	Wsh, Flt SAE 1/4
4	56002769	6	Nut, Hex Nyl Loc 3/8-16
5	56003441	1	Scr, Hex Loc M6-1 X 16mm
6	56009062	2	Scr, Pan Phil Thd Form 1/4-20 X .50
7	56009125	1	Wsh, Bowed .266 x .500 x .060
8	56508793	1	Compressor, A/C
9	56508799	1	Housing, A/C Compressor
10	56508803	1	Plate, Cover
11	56508804	1	Coupling, Spider
12	56508807	1	Motor, Hydraulic
13	56900005	1	Connector, O-Ring
14	56900105	1	Elbow, 90 O-Ring
15	56900110	1	Elbow, 90 O-Ring





Nilfisk-Advance Equipamentos de Limpeza Ltda.  
Av. Dep. Emílio Carlos, 2.499 - Bairro do Limão - 02721-200  
São Paulo - SP - Brasil  
[www.nilfisk-advance.ind.br](http://www.nilfisk-advance.ind.br)  
[www.plataforma.ind.br](http://www.plataforma.ind.br)  
Tel.: (11) 3959-0300  
Fax: (11) 3959-0306  
©2014 Nilfisk-Advance, Inc.



14600 21st Avenue North  
Plymouth, MN 55447-3408  
[www.advance-us.com](http://www.advance-us.com)  
Phone: 800-989-2235  
Fax: 800-989-6566  
©2014 Nilfisk-Advance, Inc.

---

**A Nilfisk-Advance Brand**