



## Electronic Service Manuals

This electronic document is provided as a service to our customers. We do not create the contents of the information contained in this document. Should you have detailed questions pertaining to the information contained in this document, you may contact Michco, or the manufacturer which provided the original information in this electronic deliverable. Michco's only part in this electronic deliverable was the electronic assembly process. By providing this manual on line we are not guaranteeing parts availability.

You may contact Michco through the following methods:

Phone (517) 484-9312 or (800) 331-3339

2011 N. High St. -- Lansing, Michigan -- 48906

Fax: (517) 484-9836

Email: [CustServe@Michco.com](mailto:CustServe@Michco.com)

Web site: [www.Michco.Com](http://www.Michco.Com)

Parts Web site: [www.FloorMachineParts.Com](http://www.FloorMachineParts.Com)

Order Parts on Line at:

**[www.FloorMachineParts.Com](http://www.FloorMachineParts.Com)**

Directly to Parts & Service:

By Email: **[Shop@Michco.com](mailto:Shop@Michco.com)**

By Fax: (517) 702-2041

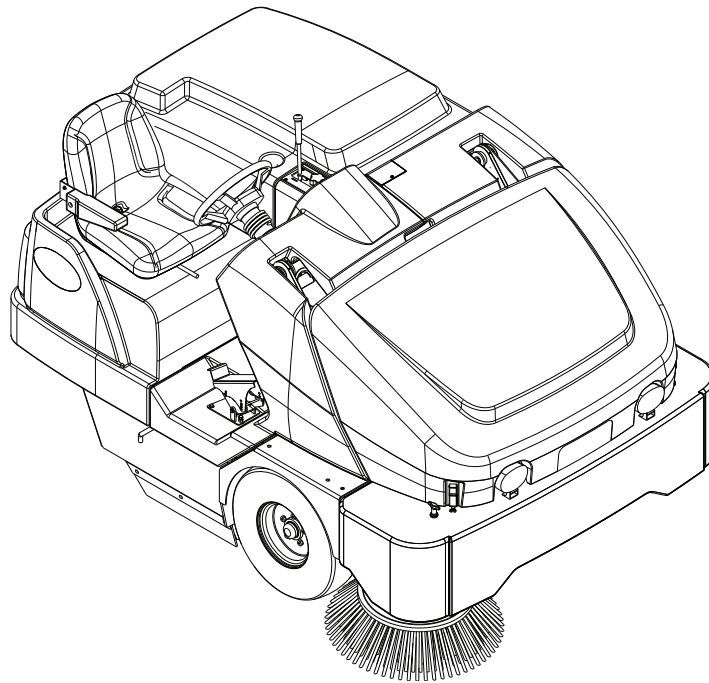
By Voice: Use numbers above.

**Serving the Cleaning Industry Since 1922**

Notice: All copyrighted material remains property of original owners, all trademarks are property of respective owners. Manuals are subject to Manufacturer's reproduction limitations. Originals or reproductions were provided by manufacturers through a request. We make no warranty as to the correctness of information provided in this document and you assume all risk. By placing these manuals on line we are not declaring our corporation to be an manufacturer authorized dealer or provider, please check our web site for authorized manufacturers we represent.

# SW8000

---



---

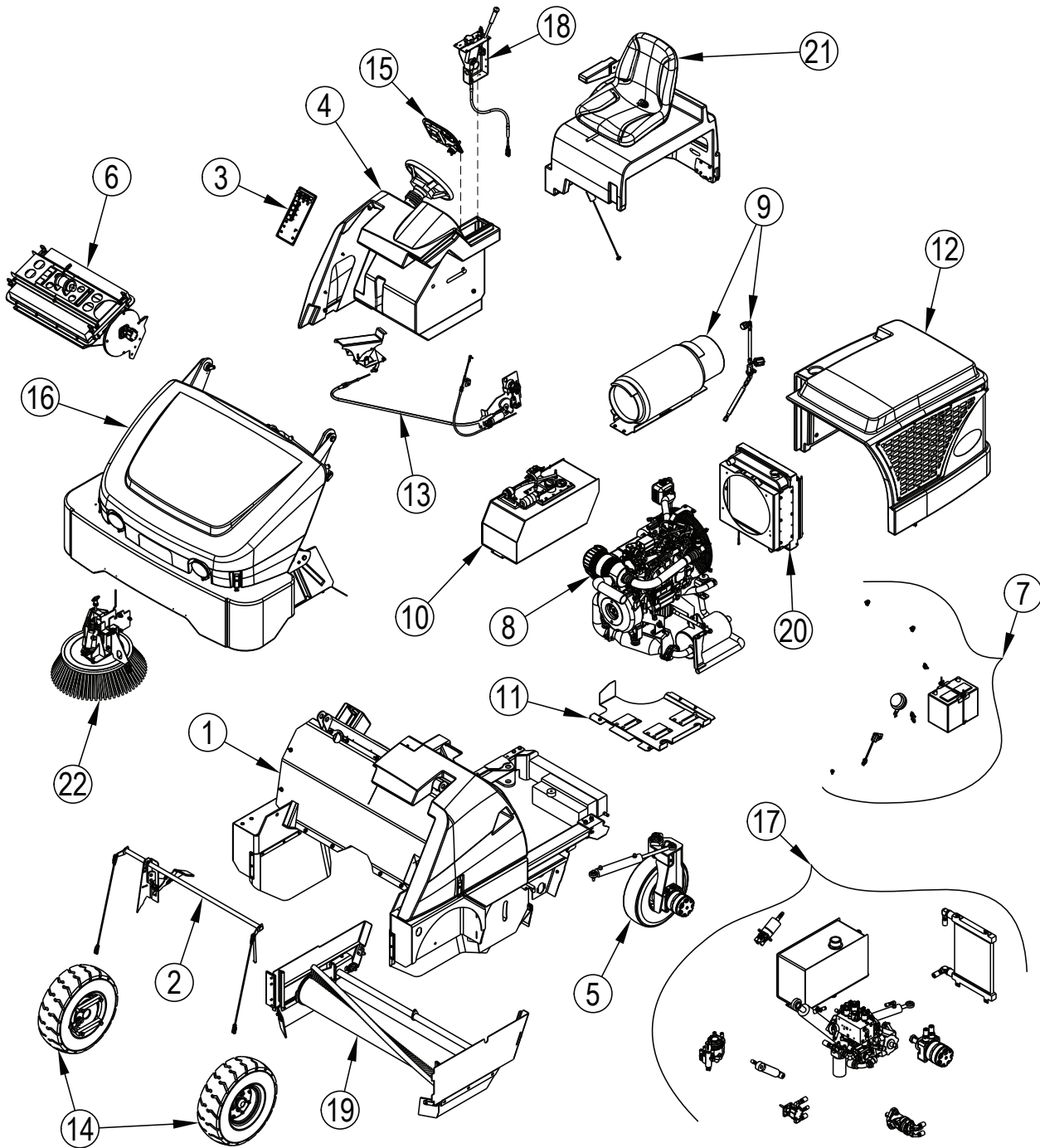
## **PARTS LIST**

**Models: 56107503 (4 cyl LPG), 56107501 (4 cyl Petrol), 56107505 (4 cyl Diesel)  
56107509 (4 cyl LPG / cab), 56107507 (4 cyl Petrol / cab), 56107511 (4 cyl Diesel / cab)**



# Advance

## GENERAL VIEW



Item	Ref. No.	Qty	Description	Item	Ref. No.	Qty	Description
1		1	Chassis System	12		1	Engine Rear Cover Assy
2		1	Brake Pedal Assy	13		1	Forward-Reverse Control Assy
3		1	Circuit Breaker Panel Assy	14		1	Front Wheel System
4		1	Control System	15		1	Gauge Panel Assy
5		1	Drive Wheel System	16		1	Hopper System
6		1	Dust Control System	17		1	Hydraulic System
7		1	Electrical System	18		1	Broom Lift Assy
8		1	Engine System	19		1	Main Broom Assy
9		1	Engine LPG Tank & Filter Assy	20		1	Radiator Assy
10		1	Engine Diesel/Petrol Fuel Tank Assy	21		1	Seat Assy
11		1	Engine Bottom Cover Assy	22		1	Side Broom System

### TABLE OF CONTENTS

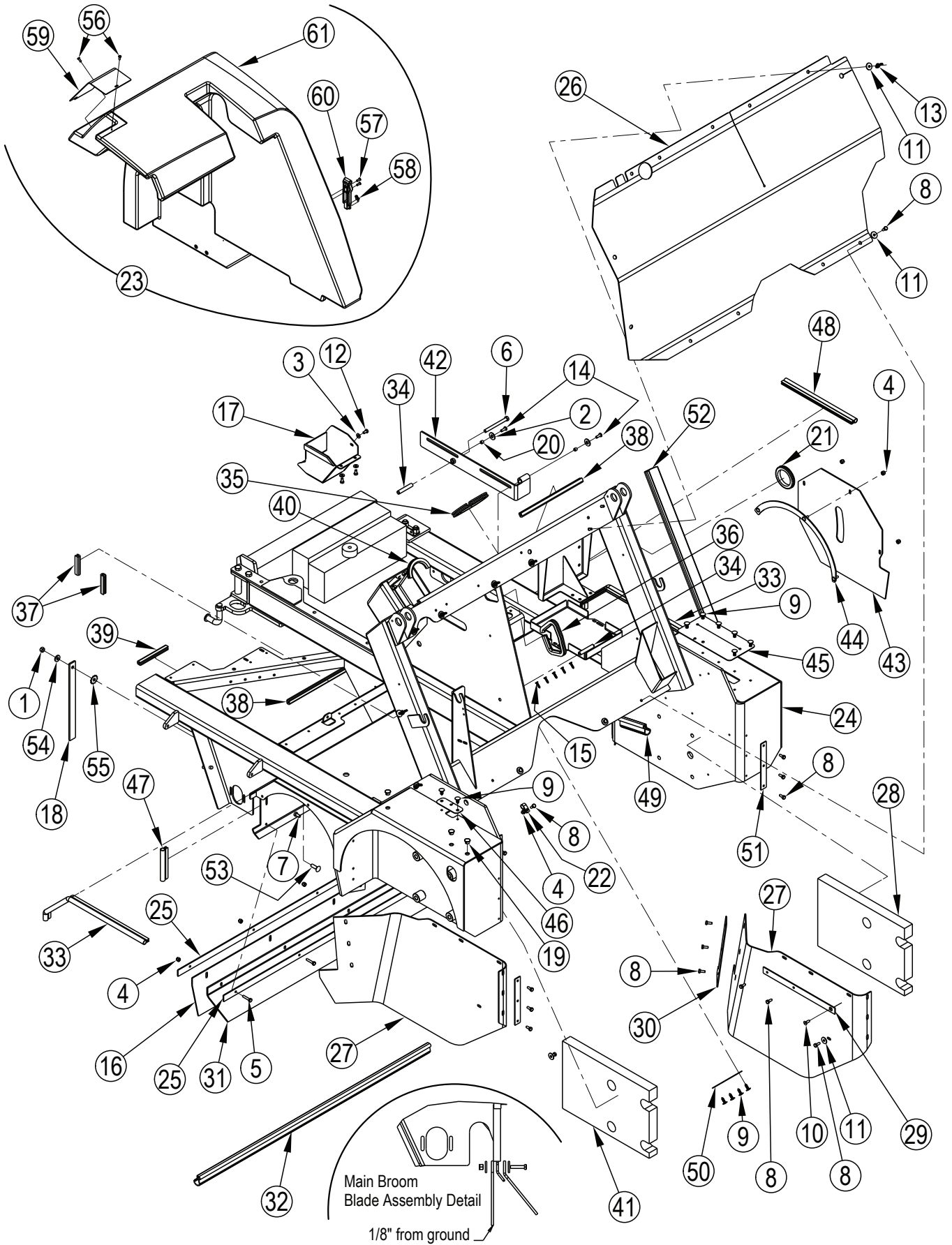
DESCRIPTION .....	PAGE
Chassis System.....	2-3
Chassis Assy .....	4-5
Brake Pedal Assy .....	6-7
Circuit Breaker Panel Assy.....	8-9
Control System.....	10-11
Decal System .....	12-13
Drive Wheel System.....	14-15
Dust Control System-1 .....	16-17
Dust Control System-2 .....	18-19
Electrical System.....	20-21
Engine LPG System-1.....	22-23
Engine LPG System-2.....	24-25
Engine Base Assy - LPG .....	26-27
Engine Petrol System-1.....	28-29
Engine Petrol System-2.....	30-31
Engine Base Assy - Petrol.....	32-33
Engine [Kubota] Diesel System-1.....	34-35
Engine [Kubota] Diesel System-2.....	36-37
Engine Base Assy - Diesel .....	38-39
Engine LPG Tank & Filter Assy.....	40-41
Engine [Kubota] Diesel Fuel Tank Assy.....	42-43
Engine Petrol Fuel Tank Assy.....	44-45
Engine Bottom Cover Assy.....	46-47
Engine Rear Cover Assy .....	48-49
Forward-Reverse Control Assy.....	50-51
Front Wheel System.....	52-53
Gauge Panel Assy.....	54-55
Hopper System-1 thru 4 .....	56-61
Hydraulic Schematic.....	63
Hydraulic System .....	64-65
Hydraulic System - Mounting .....	66-67
Hydraulic Cylinder Assemblies .....	68-69
Hydraulic Manifold Assy .....	70-71
Hydraulic Motor Assemblies .....	72-73
Hydraulic Oil Filter-Reservoir.....	74-75
Hydraulic Pump Assy .....	76-77
Broom Lift Assy .....	78-79
Main Broom Assy -1 .....	80-81
Main Broom Assy -2 .....	82-83
Radiator Assy .....	84-85
Seat Assy .....	86-87
Side Broom System.....	88-89
Ladder Diagram-1 .....	90-91
Ladder Diagram-2 .....	92-93
Ladder Diagram-3 .....	94-95
Optional Kits & Accessories .....	96
Recommended Spare Parts .....	97
Broom Selector Guide.....	98
Left Hand Side Broom Option .....	99-101
Tilt Steering Option.....	102-103

#### WHEN ORDERING PARTS

- \* Use the numbers from the "Ref. No." columns in this parts list.
- \* Specify the model and serial number of the machine.
- \* Use the space below to record the model and serial number for future reference.

Model \_\_\_\_\_ Serial No. \_\_\_\_\_

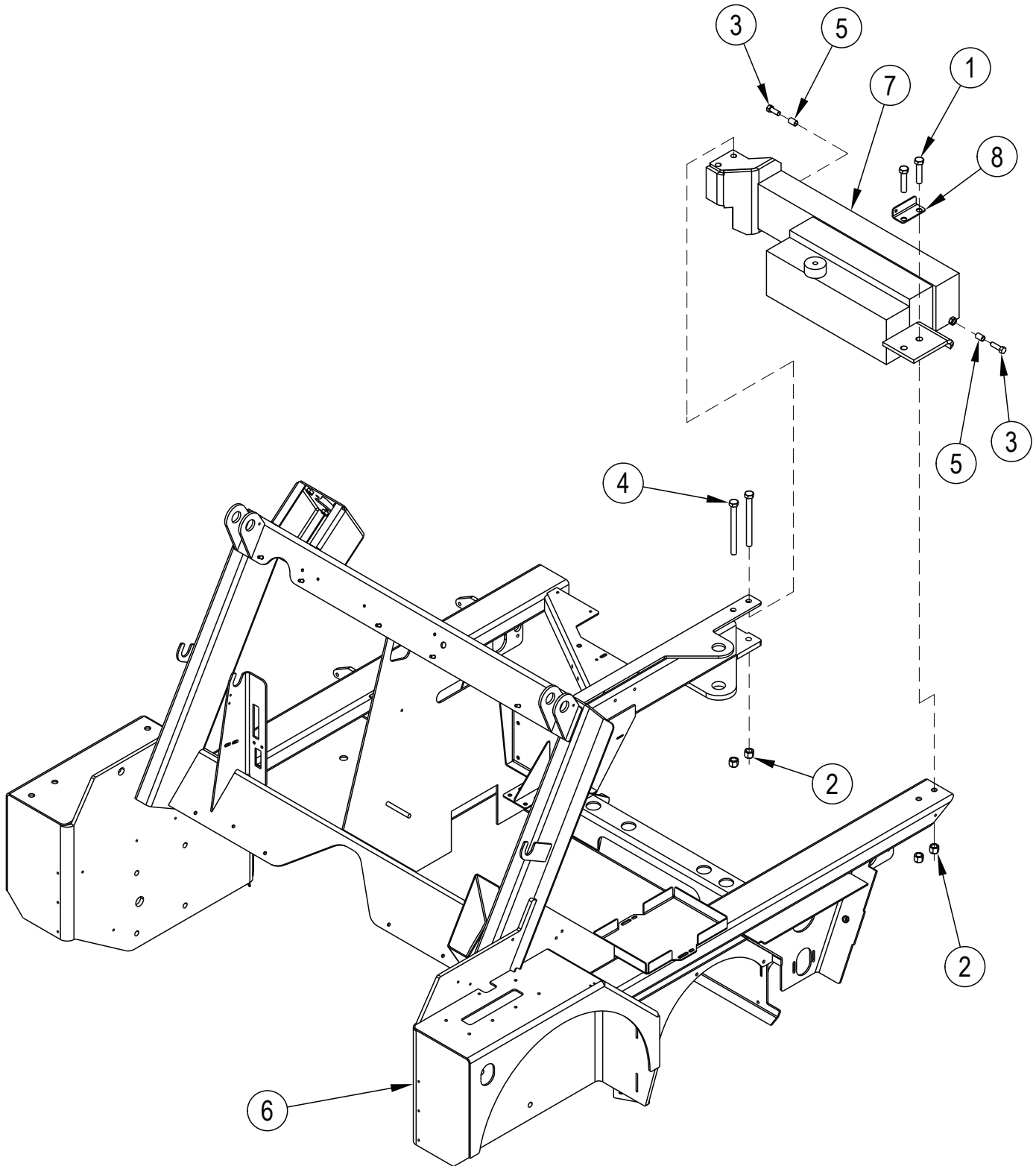
### CHASSIS SYSTEM



## CHASSIS SYSTEM

Item	Ref. No.	Qty	Description	Item	Ref. No.	Qty	Description
1	2-95-04182	1	Nut, Hex, Stop, 3/8-16	53	2-00-05187	1	3/8-16 X 1.0", Carriage Bolt
2	56002055	2	Wsh, Flt Std 3/8	54	2-00-04801	1	Flat Washer, 1.00 X .39 X .06
3	56002098	3	Wsh, Flt SAE 1/4	55	2-00-03829	1	Lock Washer, 3/8 Int./Ext. Tooth
4	56002491	9	Nut-Hex Nyl Loc SS 1/4-20	56	56009206	2	Scr Truss Phil Blk 10-24X.50
5	56002897	5	Scr- Hex Ss 1/4-20 X 1.25	57	56003093	2	Scr, Pan Phil Plastite 8-16 X .50
6	56002977	1	Scr, Hex Thd To Hd 3/8-16 X 4.00	58	56009051	2	Scr, Pan Phil Thd Form 8-32 X .38
7	56002988	1	Scr- Hex SS 5/16-18 X .62	59	56107698	1	Plate-Cover
8	56003047	23	Scr- Hex SS 1/4-20 X .62	60	56507188	1	Latch
9	56003263	12	Rivet, Nylon Tree Push-In (.25)	61	56507565	1	Intermediate Cover Assy
10	56003922	2	Scr-Flt Soc SS 1/4-20 X .75				
11	56003923	13	Wsh-Flt SS .266 X .906 X .060				
12	56009033	3	Scr, Hex Thd Form 1/4-20 X .50				
13	56009111	7	Nut, Wing SS 1/4-20				
14	56009126	2	Scr, Pan Phil Thd Form 1/4-20 X .75				
15	56009388	6	Rivet, Nylon Tree Push-In (.189)				
16	56107621	1	Flap Broom Rear				
17	56107784	1	Vacuum Exhaust Assy				
18	56416517	1	Strap, Static, 12.5"				
19	56418888	3	Plug, Cap				
20	56453849	2	Bushing .26 x .37 x .28				
21	56459362	1	Grommet				
22	56486112	1	Clamp-P				
23	56507042	1	Cover, Center Assy (items 56-61)				
24	56507043	1	Chassis Assy				
25	56507117	2	Strap				
26	56507141	1	Cover, Rubber				
27	56507473	2	Flap				
28	56507474	1	Foam, LH				
29	56507475	2	Strap				
30	56507476	2	Strap				
31	56507569	1	Flap Broom Rear				
32	56507895	1	Gasket				
33	56507896	2	Gasket				
34	56507897	2	Cap, Vinyl				
35	56507900	1	Trim, Edge				
36	56507901	1	Trim, Edge				
37	56507903	2	Trim, Edge				
38	56507904	2	Trim, Edge				
39	56507905	1	Trim, Edge				
40	56507906	1	Trim, Edge				
41	56507967	1	Foam, Rh				
42	56507981	1	Slide Weldt				
43	56508317	1	Flap LH Main Broom				
44	56508319	1	Clamp Weldt				
45	56508372	1	Flap, Dust				
46	56508373	1	Flap-Dust				
47	56508380	1	Gasket				
48	56508382	1	Gasket				
49	56508385	2	Gasket				
50	56508387	1	Flap, Dust				
51	56508399	2	Strap				
52	56508516	1	Seal Chassis				

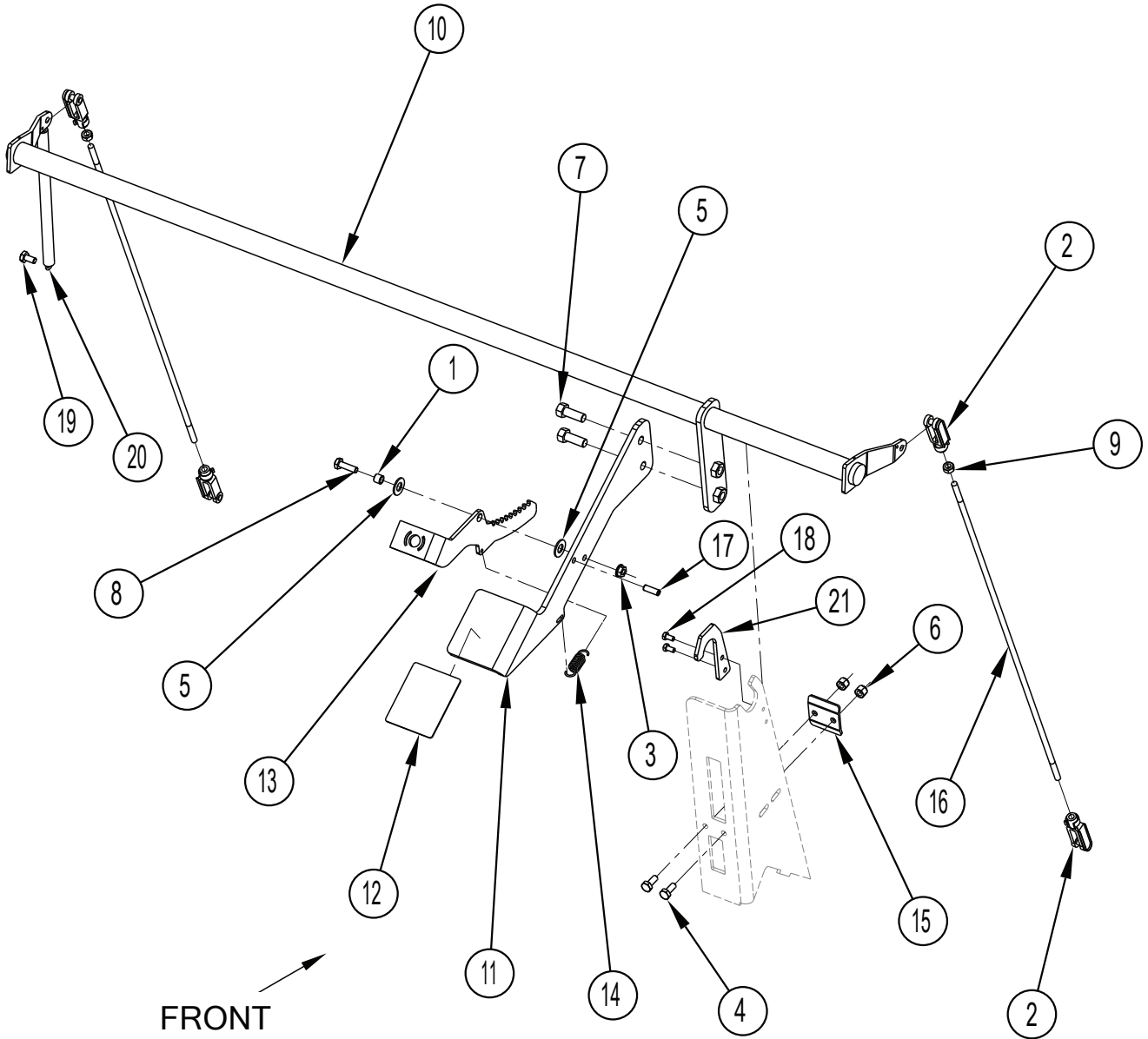
### CHASSIS ASSY



## CHASSIS ASSY

Item	Ref. No.	Qty	Description
	56507043	1	Chassis Assembly
1	56001968	2	Scr, Hex 1/2-13 x 1.50
2	56002770	4	Nut, Hex Nyl Loc 1/2-13
3	56002947	2	Scr, Hex Hd Loc 3/8-16 x 1.00
4	56003471	2	Scr, Hex 1/2-13 x 5.50
5	56244859	2	Bushing .37 x .50 x .75
6	56507300	1	Chassis Weldment
7	56508880	1	Rear Bumper Weldment
8	56507553	1	Bracket, Cover Lanyard

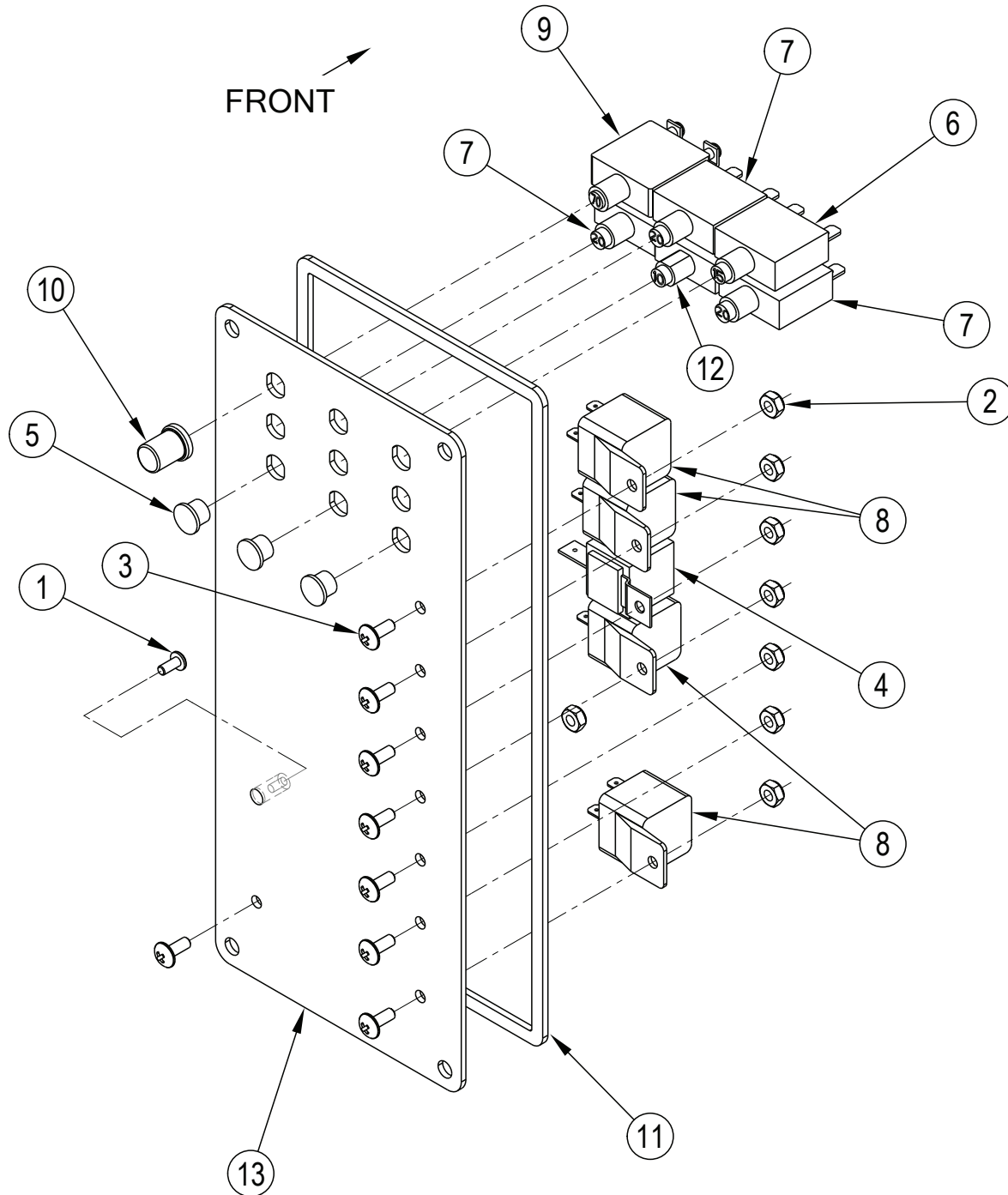
### BRAKE PEDAL ASSY



**BRAKE PEDAL ASSY**

<b>Item</b>	<b>Ref. No.</b>	<b>Qty</b>	<b>Description</b>
	56507044	1	Brake Pedal Assembly
1	56368989	1	Bushing
2	56407133	4	Yoke, Clevis
3	56003920	1	Nut-Hex Flange Loc SS 1/4-20
4	56003047	2	Scr-Hex SS 1/4-20 x .62
5	56002910	2	Wsh-Flt SAE SS 3/8
6	56002491	2	Nut Hex Nyl Loc SS 1/4-20
7	56002947	2	Scr, Hex Hd Loc 3/8-16 x 1.00
8	56003921	1	Scr-Hex Loc SS 1/4-20 x .88
9	56009142	2	Nut, Hex Machine 1/4-28
10	56507210	1	Brake Connecting Rod Weldment
11	56107688	1	Brake Pedal
12	56507226	1	Mat, Pedal
13	56507450	1	Parking Brake Lever
14	56507451	1	Spring, Extension
15	56507453	1	Plate
16	56507456	2	Rod
17	56003138	1	Pin, Spr .25 x .75
18	56009012	2	Scr, Hex Thd Form 10-24 x .38
19	56009033	1	Scr, Hex Thd Form 1/4-20 x .50
20	56382000	1	Spring, Extension
21	56508329	1	Tab, Brake Rod Locking

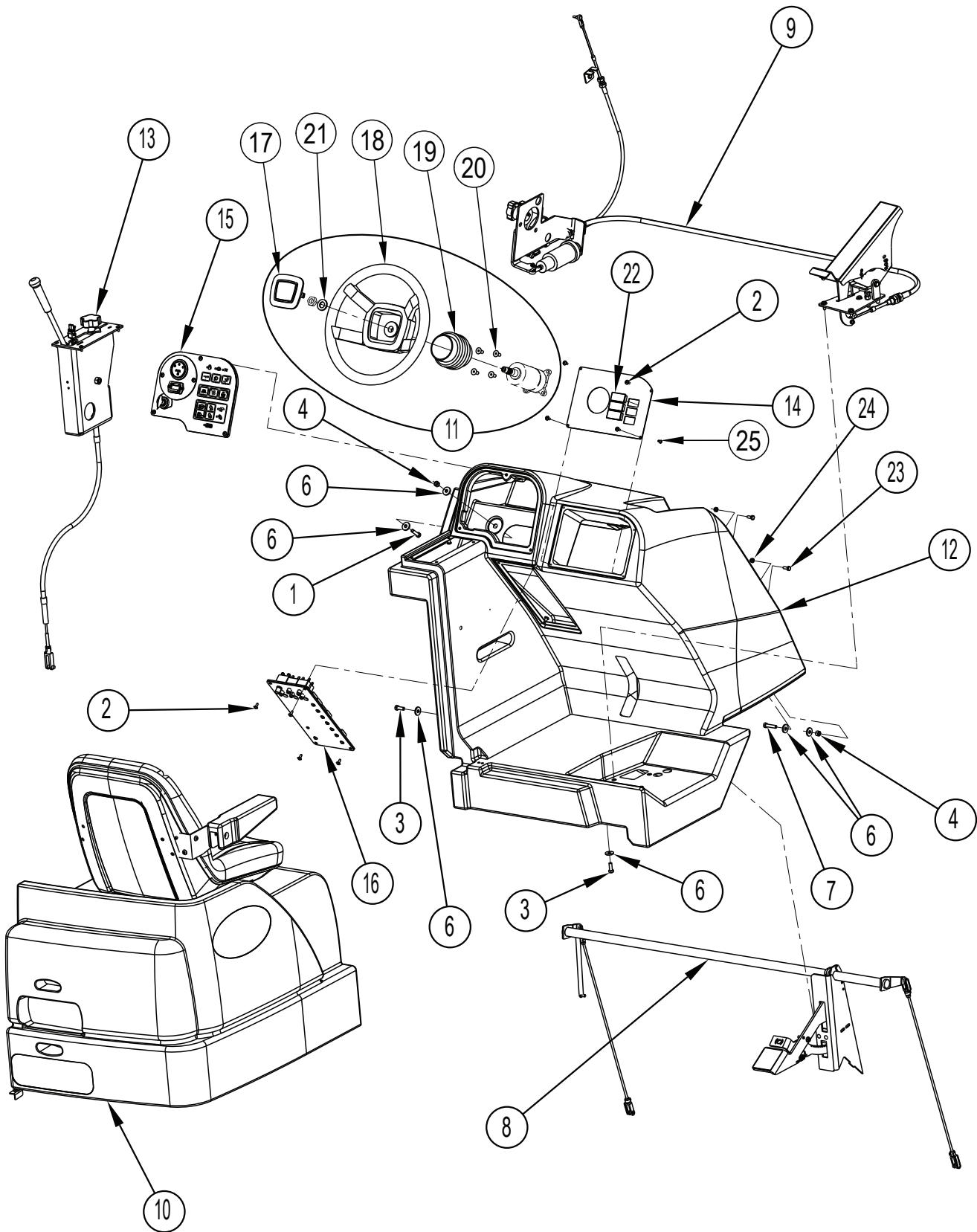
### CIRCUIT BREAKER PANEL ASSY



**CIRCUIT BREAKER PANEL ASSY**

<b>Item</b>	<b>Ref. No.</b>	<b>Qty</b>	<b>Description</b>
	56507615	1	Panel Assembly, Diesel ( <b>items 1-13</b> )
	56507646	1	Panel Assembly, LPG / Petrol ( <b>items 1-13</b> )
1	56001818	1	Scr-Pan Phil 8-32 X .38
2	56002849	8	Nut, Hex Nyl Loc-Thin SS 10-24
3	56003902	8	Scr-Truss Phil SS Blk 10-24 x .50
4	56107639	1	Relay
5	56153126	3	Plug, Cap
6	56413407	1	Circuit Breaker, 15 Amp
7	56413822	3	Circuit Breaker, 20 Amp
8	56418387	3	Relay, SPDT ( <b>qty 4 on Diesel</b> )
9	56454429	1	Circuit Breaker, 70 Amp
10	56459369	1	Boot, Reset Button
11	56507441	1	Gasket, RS Strip
12	56507644	1	Circuit Breaker, 10 Amp
13	56107693	1	Panel- Circuit Breakers Assy

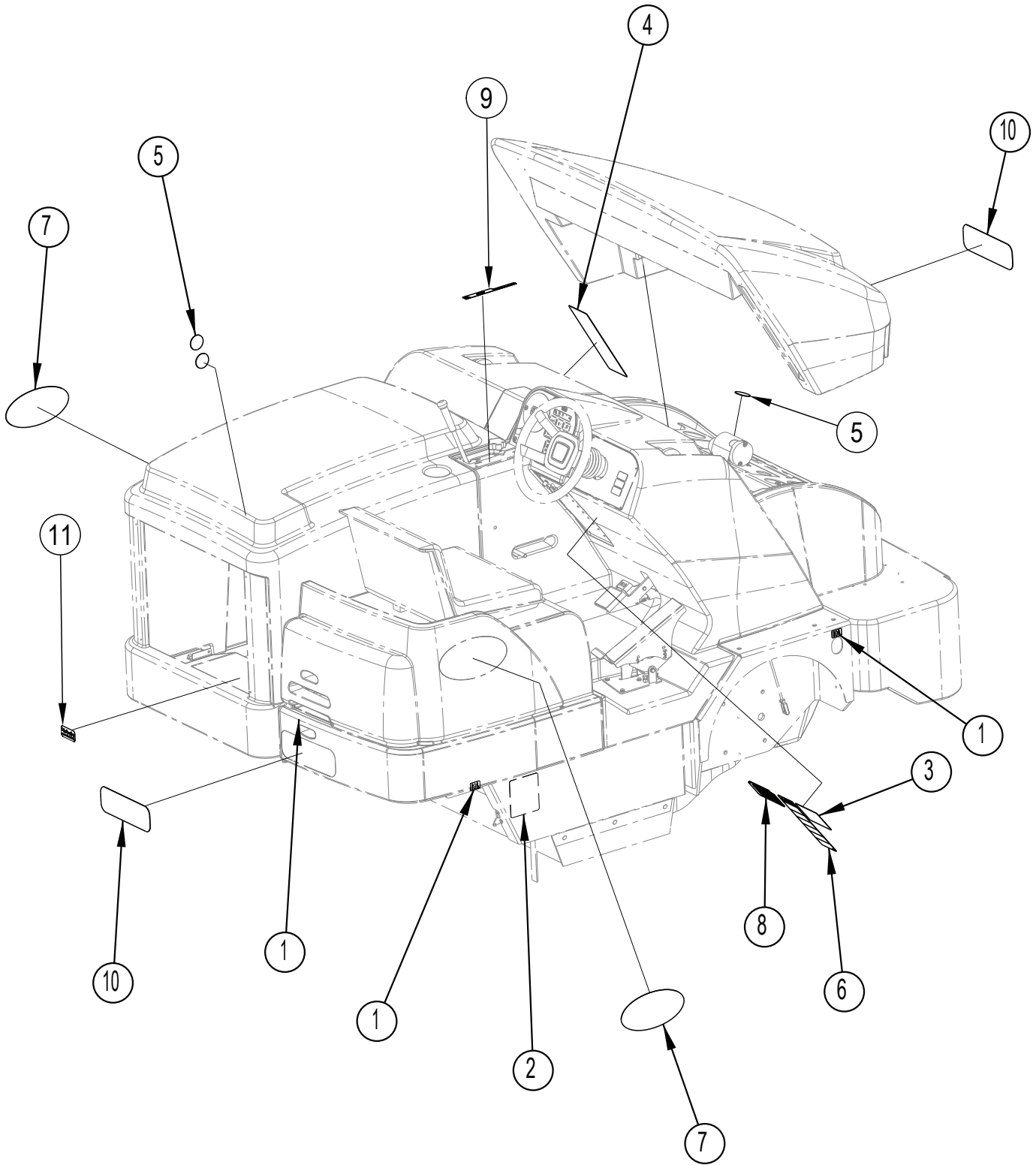
### CONTROL SYSTEM



## CONTROL SYSTEM

Item	Ref. No.	Qty	Description
1	56001834	1	Scr, Hex 5/16-18 x 1.25
2	56003902	8	Scr-Truss Phil SS Blk 10-24 x .50
3	56002037	2	Scr, Hex 5/16-18 x .88
4	56002701	2	Nut, Hex Nyl Loc 5/16-18
6	56009122	6	Wsh, Flt .344 x .938 x .125
7	56009256	1	Scr, Hex 5/16-18 x 1.38
8	56507044	1	Pedal Brake Assy <b>See Brake Pedal Assembly</b>
9	56507049	1	Fwd / Rev 4 Cyl Control Assy <b>See Forward/Reverse Control Assembly</b>
10	56507052	1	Seat Assy ( <b>non-cab models</b> ) <b>See Seat Assembly</b>
11	56507053	1	Steering Assembly ( <b>items 17-21</b> )
12	56507083	1	Console
13	56507407	1	Lift Broom Assy <b>See Broom Lift Assy</b>
14	56107696	1	Panel-Standard Assy.
15	56107641	1	Gauge Panel Assy – LPG Model <b>See Gauge Panel Assembly</b>
	56107640	1	Gauge Panel Assy – Petrol Model <b>See Gauge Panel Assembly</b>
	56107642	1	Gauge Panel Assy – Diesel Model <b>See Gauge Panel Assembly</b>
16	56507646	1	Panel Assy, LPG / Petrol <b>See Circuit Breaker Panel Assembly</b>
	56507615	1	Panel Assy, Diesel <b>See Circuit Breaker Panel Assembly</b>
17	7-16-07428	1	Cover, Steering Wheel
18	56418460	1	Steering Wheel
19	8-33-02360	1	Hose, Heat Shield
20	56003752	4	Scr, Flt Soc M8 x 1.25 x 20mm
21	56009218	1	Wsh, Flt .688 x 1.250 x .125
22	2-00-05758	3	Cover, Blank Switch
23	56001836	2	Scr, Hex 1/4-20 x .62
24	56002840	2	Nut, Hex Nyl Loc-Thin 1/4-20
25	56001818	1	Scr, Pan Phil 8-32 x .38

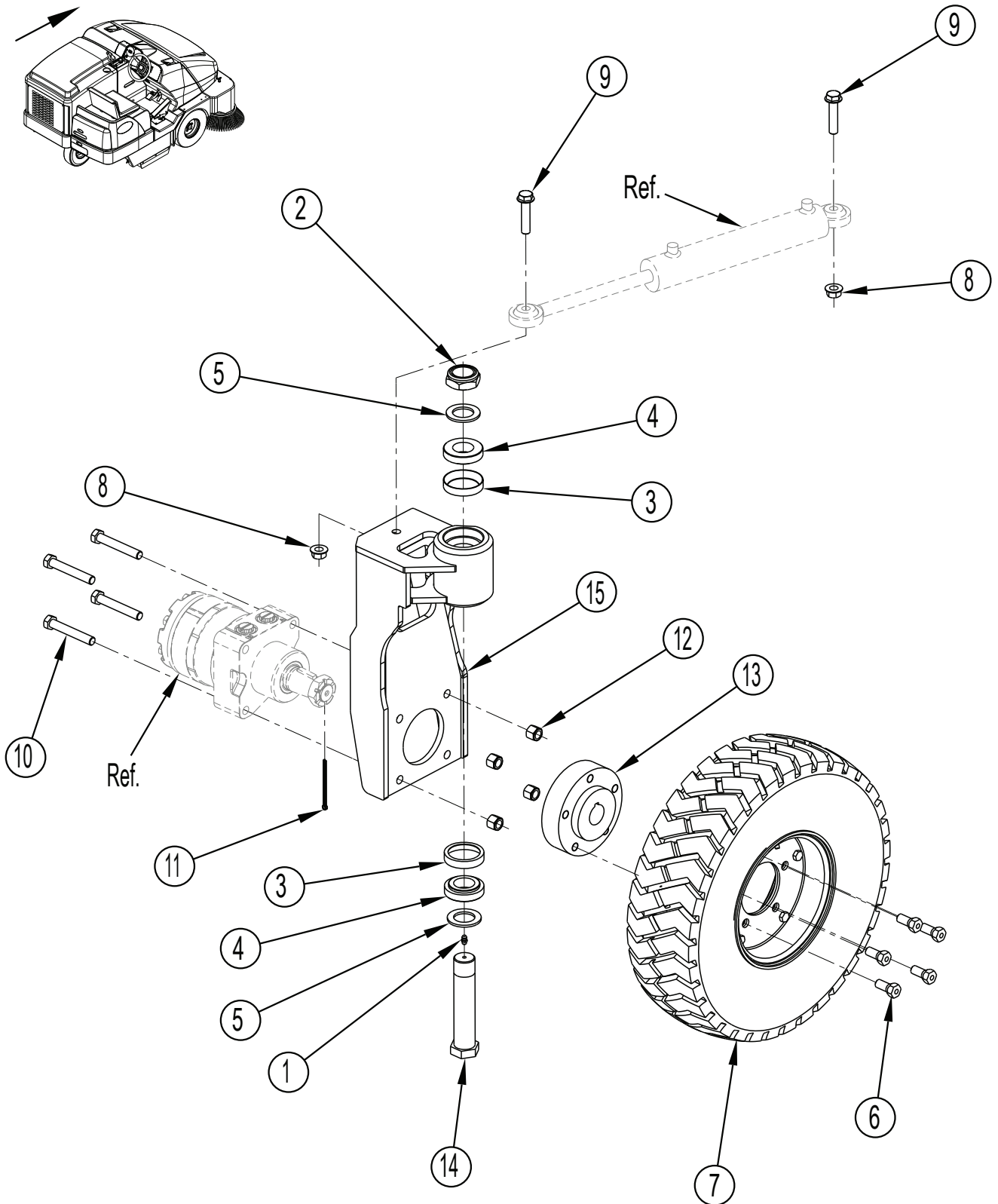
### DECAL SYSTEM



## DECAL SYSTEM

Item	Ref. No.	Qty	Description
1	56015370	5	Decal, Tie Down
2	56015425	2	Decal, Warning Broom
3	56015427	1	Decal, Warning Tip Over
4	56015428	1	Decal, Warning Hopper
5	56030080	3	Decal, Hands Clear
6	56014601	1	Decal, Caution
7	56107604	2	Decal SW8000 ADV
8	56016356	1	Decal, Circuit Breaker
9	56016365	1	Decal, Main Broom
10	56016730	2	Decal, Advance
11	56107775	1	Decal-Kubota

### DRIVE WHEEL SYSTEM



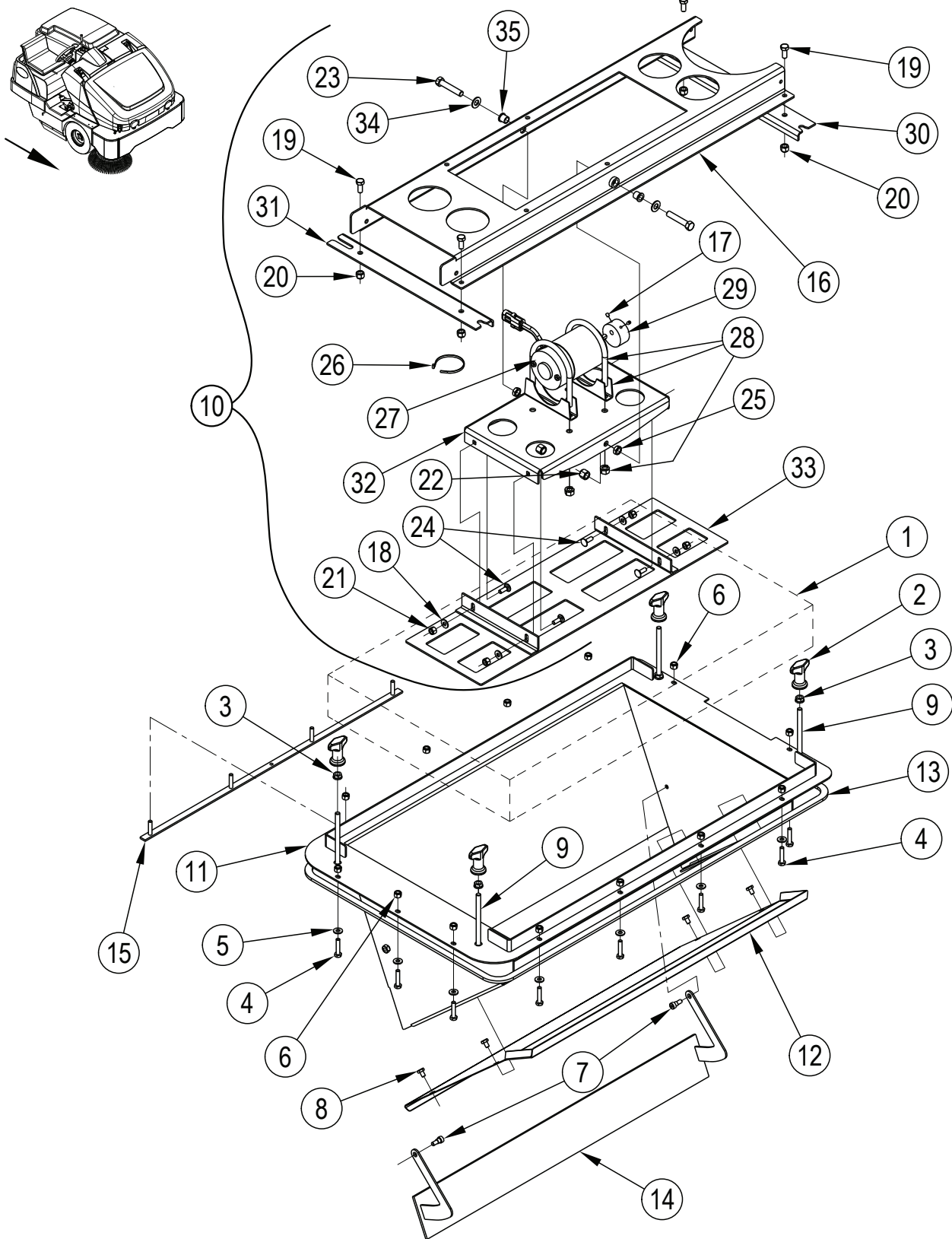
## DRIVE WHEEL SYSTEM

Item	Ref. No.	Qty	Description
1	56101737	1	Fitting, Lube 1/4-28
2	2-00-04454	1	Nut, Nylok Thin 1 1/4"
3	2-00-04621	2	Bearing Cup
4	2-00-04622	2	Bearing Cone
5	8-75-01136	2	Washer, 1 1/4"
6	8-80-05035	5	Stud - Wheel
7	8-89-08067	1	Wheel Assy
[ ]	8-65-05015	1	Rim Assy, 5 x 8 x 3.75
[ ]	8-85-06021	1	Tire - Pneumatic 5 x 8
[ ]	8-70-00085	1	Tube - Inner Pneu Tire
*	8-89-08064	1	Wheel Assy ( <b>Pneumatic</b> )
[ ]	8-85-06023	1	Rim Assy
[ ]	8-85-06021	1	Tire - Pneumatic 5 x 8
[ ]	8-70-00093	1	Tube - Inner Pneu Tire
*	8-89-08065	1	Wheel Assy ( <b>Solid</b> )
[ ]	8-85-06023	1	Rim Assy
[ ]	56508943	1	Tire Solid 5 x 8 x 3
8	56003872	2	Nut-Hex Flange 1/2-20 Spiralock
9	56003871	2	Scr-Hex Flange 1/2-20 x 2.25
10	56002116	4	Scr, Hex 1/2-13 x 3.25
11	56002574	1	Pin, Cotter 5/32 x 3.00
12	56002770	4	Nut, Hex Nyl Loc 1/2-13
13	56507462	1	Hub, Drive Wheel
14	56507099	1	Pin, Drive Yoke Pivot
15	56507280	1	Drive Yoke Weldment

[ ] = Not Shown

\* = Optional, Not Included

### DUST CONTROL SYSTEM-1

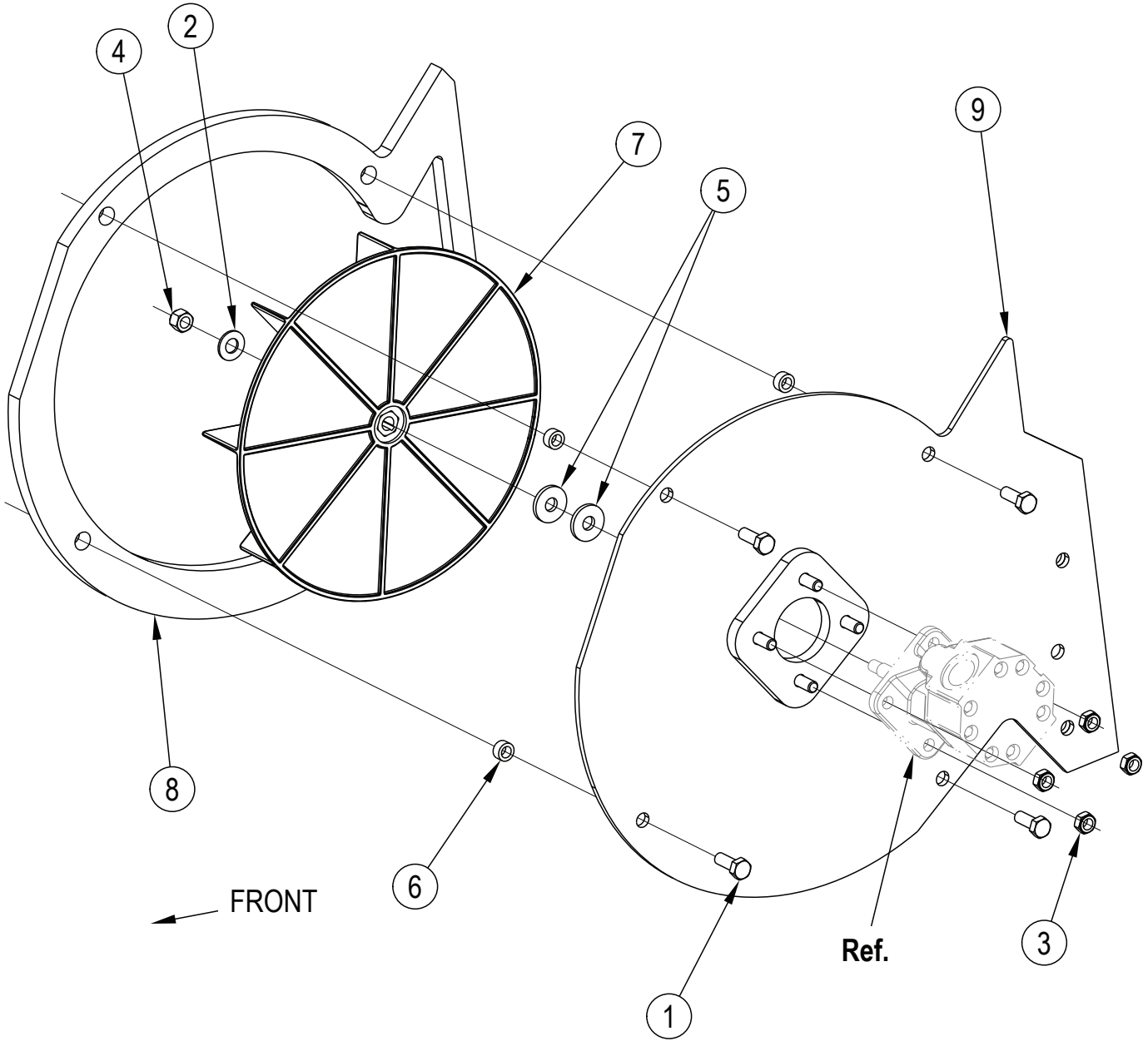


## DUST CONTROL SYSTEM-1

Item	Ref. No.	Qty	Description
	56507058	1	Panel Filter Shaker Assembly <b>(1-15)</b>
1	8-24-04139-1	1	Filter Panel Ultra-Web Cellulose
*	56382789	1	Filter Panel Poly High Flow
*	56508953	1	Filter-HEPA
2	56370711	4	Nut, Thumb
3	56001806	4	Nut, Hex Whiz W/Flange Loc 5/16-18
4	56001878	9	Scr, Hex 1/4-20 x 1.25
5	56002098	8	Wsh, Flt SAE 1/4
6	56002708	13	Nut, Hex Nyl Loc 1/4-20
7	56003717	2	Scr, Soc Shd .31 x .25 x 1/4-20
8	56009019	4	Scr, Hex Thd Form 1/4-20 x .38
9	56109163	4	Rod, Threaded
10	56507190	1	Filter Shaker Assembly <b>(items 16-35)</b>
11	56508070	1	Weldment, Seal Plate
12	56508073	1	Plate, Dust
13	56508088	1	Gasket, 1/2 x 1/4
14	56508089	1	Door Filter Chamber Weldment
15	56508700	1	Clamp Filter Seal Weldment
16	8-13-07170	1	Plate, Filter Shaker
17	56002015	2	Scr, Soc Set Loc 10-24 x .25
18	56002098	4	Wsh, Flt SAE 1/4
19	56002667	4	Scr, Hex 5/16-18 x .75
20	56002701	4	Nut, Hex Nyl Loc 5/16-18
21	56002708	4	Nut, Hex Nyl Loc 1/4-20
22	56002769	2	Nut, Hex Nyl Loc 3/8-16
23	56003779	2	Scr, Hex 3/8-16 x 2.00 Grade 8
24	56003715	4	Scr, Carriage SS 1/4-20 x .75
25	56009085	2	Nut, Hex Jam 3/8-16
26	56478246	1	Tie, Cable
27	56508664	1	Motor, 12VDC
28	56508887	2	Clamp, Muffler 3"
29	56508772	1	Eccentric
30	56508703	1	Bracket LH, Filter Shaker
31	56508704	1	Bracket RH, Filter Shaker
32	56508705	1	Plate Shaker Motor Mtg
33	56508706	1	Shaker Weldment
34	56002063	2	Wsh, Flt SAE 3/8
35	56508737	2	Bearing, Flange

\* = Optional, Not Included

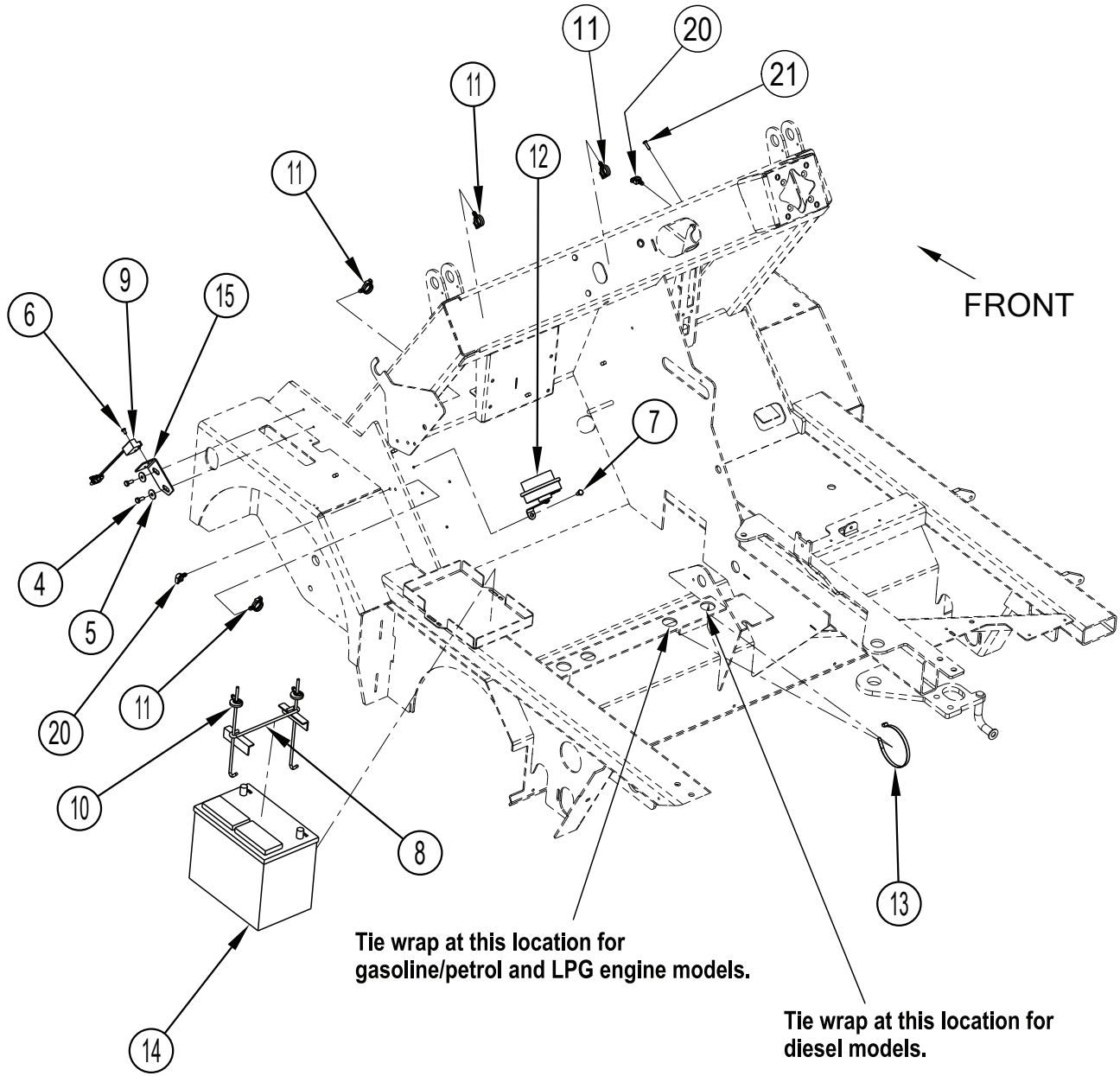
### DUST CONTROL SYSTEM-2



**DUST CONTROL SYSTEM-2**

<b>Item</b>	<b>Ref. No.</b>	<b>Qty</b>	<b>Description</b>
	56507059	1	Vacuum Fan Assembly ( <b>items 1-9</b> )
1	56002037	4	Scr, Hex 5/16-18 x .88
2	56001939	1	Wsh, Flt SAE 5/16
3	56002826	4	Nut, Hex Nyl Loc-Thin 5/16-18
4	56002950	1	Nut, Hex Nyl Loc 5/16-24
5	56009107	2	Wsh, Flt SS .378 x 1.000 x .120
6	56052581	4	Spacer, .315 ID x .50 OD x .25 Lg
7	56418897	1	Impeller
8	56507198	1	Seal, Vac Fan
9	56507200	1	Plate Weldment, Vac Motor

### ELECTRICAL SYSTEM

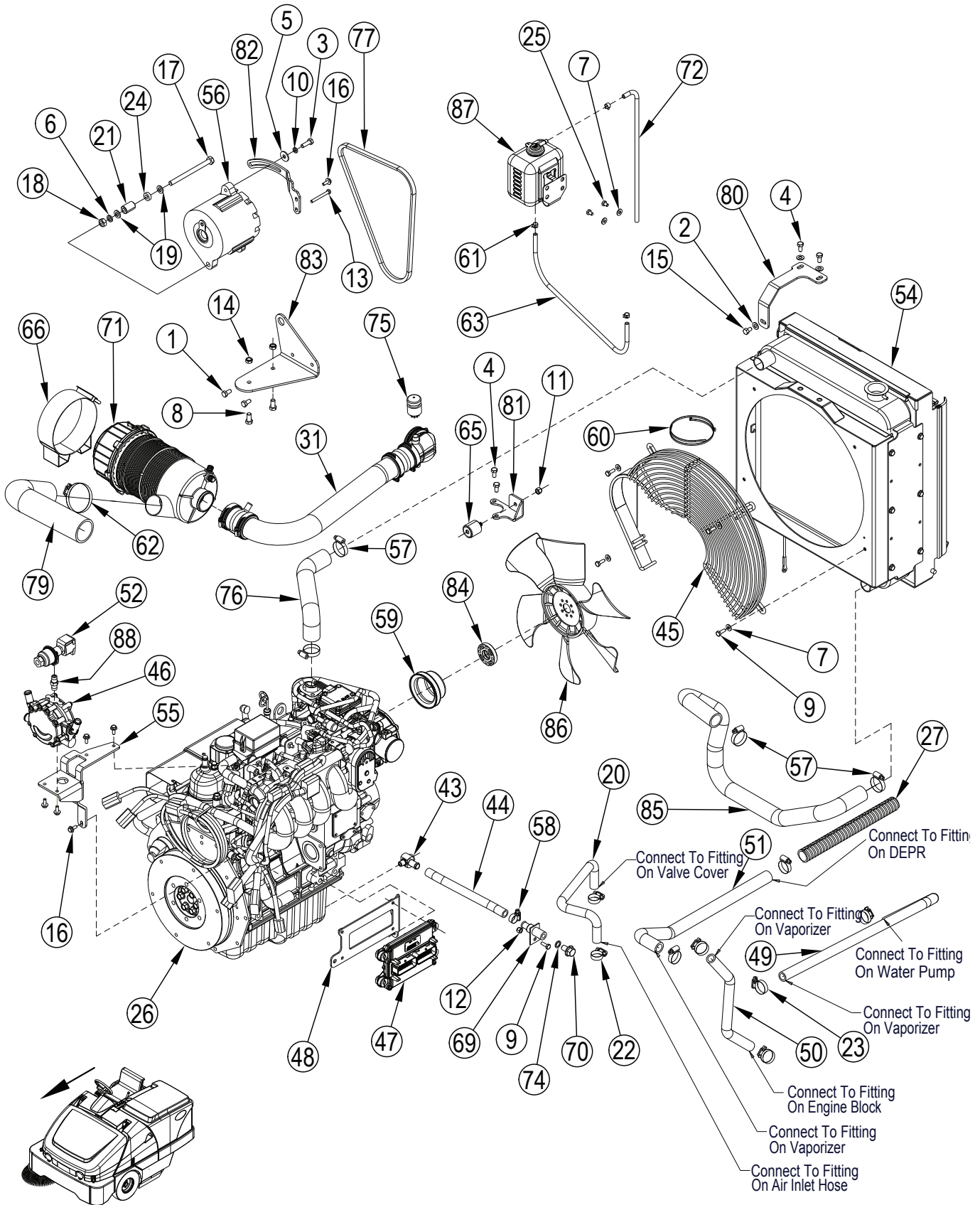


## ELECTRICAL SYSTEM

Item	Ref. No.	Qty	Description
[ ]	56462361	1	Conn, 2 Way Female
[ ]	56492305	1	Boot, Rubber
[ ]	56493357	1	Insulator, Terminal
4	56001836	2	Scr, Hex 1/4-20 x .62
5	56009002	2	Wsh, Flt .266 x .906 x .060
6	56009030	1	Scr, Pan Phil Thd Form 10-24 x .38
7	56009033	1	Scr, Hex Thd Form 1/4-20 x .50
8	56304445	1	Starter Battery Hold Down
9	56305053	1	Sensor, Proximity
10	56305112	2	10" J Type Hold Down
11	56410247	4	Clip, Conduit
12	56442054	1	Horn, 12V
13	56477613	1	Tie, Cable ( <b>location is dependent upon model</b> )
14	0875-008	1	Battery 12V
15	56507457	1	Mount, Sensor
[ ]	56381701	1	Harness, Main
[ ]	56507679	1	Wire Asm, Yel/Blk 18-11 ( <b>diesel models only</b> )
[ ]	56507680	1	Cable, Pos. Battery
[ ]	56507681	1	Cable, Neg. Battery
20	56507793	3	Clip, Conduit
[ ]	56508006	1	Harness, Diesel Relay ( <b>diesel models only</b> )
[ ]	56508010	1	Wire Asm, Grn/Red 10-1 ( <b>diesel models only</b> )
[ ]	56508013	1	Cable, Asm, Blk 6-1
21	56009005	1	Scr, Pan Phil SS Type AB 10-16 x .75

[ ] = Not Shown

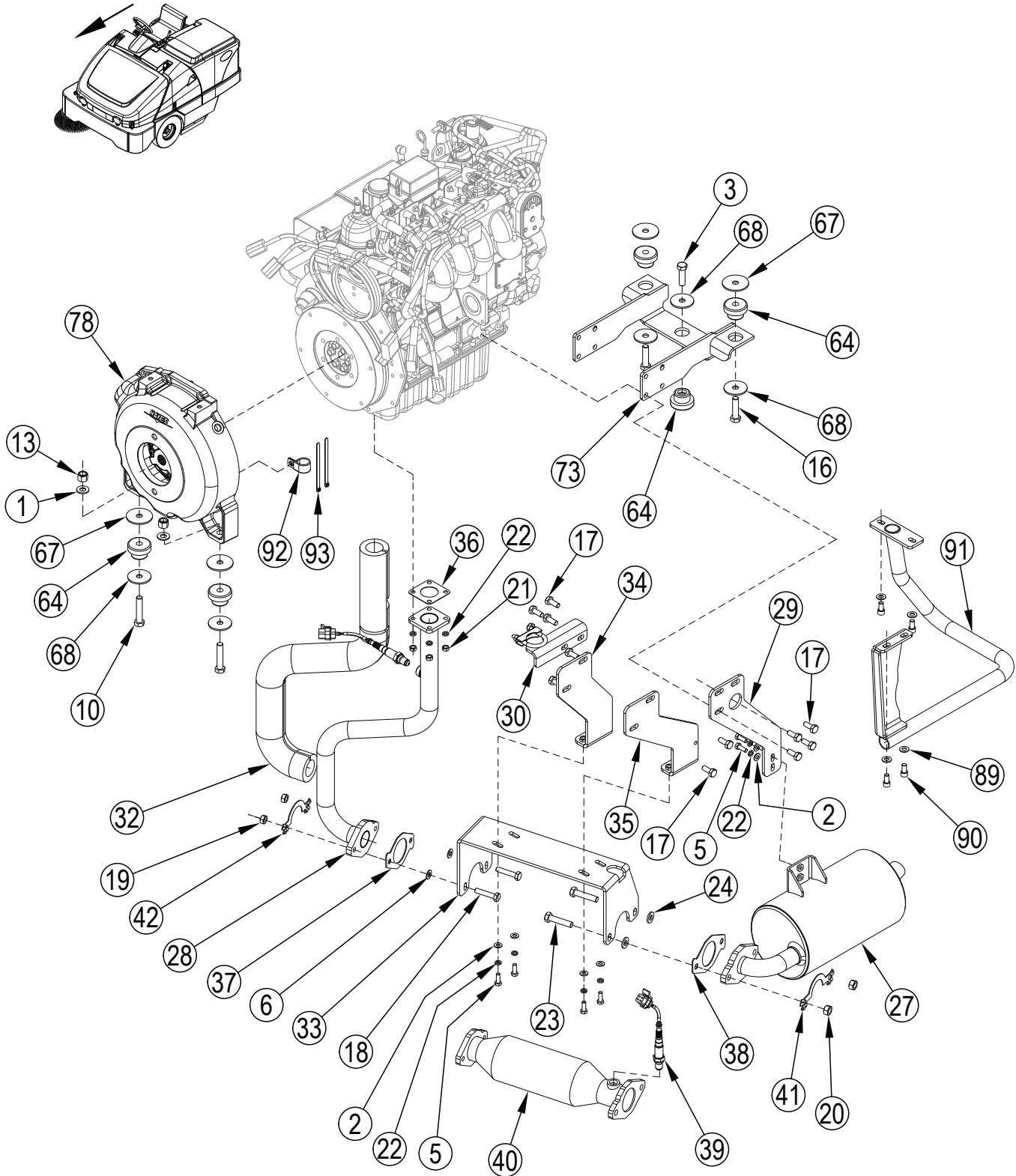
### ENGINE LPG SYSTEM-1



## ENGINE LPG SYSTEM-1

Item	Ref. No.	Qty	Description	Item	Ref. No.	Qty	Description
1	56003178	2	Scr-Hex M8-1.25 X 16mm	60	56478523	2	Tie, Cable
2	56001939	3	Wsh, Flt SAE5/16	61	56419118	3	Clamp, Hose Band
3	56003436	1	Scr-Hex SS M8-1.25 X 25mm	62	56456797	1	Clamp- Hose SAE #36
4	56002035	4	Scr-Hex 5/16-18 X .62	63	56465028	1	Hose, Coolant Overflow
5	56003646	1	Wsh, Flt SS 8mm	65	56507372	1	Isolator-Engine
6	56003684	1	Wsh, Nord-Lock M10	66	56507389	1	Band, Air Cleaner
7	56002098	6	Wsh, Flt SAE 1/4	69	56507496	1	Remote Oil Drain Outlet
8	56002127	2	Scr-Hex 3/8-16 X .75	70	56507497	1	Oil Drain Plug
9	56002155	5	Scr-Hex 1/4-20 X .75	71#	56384031	1	Air Cleaner Assy
10	56003685	1	Wsh, Nord-Lock M8	[ ]	7-24-04065	1	Filter Element <b>(Outer)</b>
11	56002701	1	Nut, Hex Nyl Loc 5/16-18	[ ]	7-24-04066	1	Filter Element <b>(Inner)</b>
12	56002708	1	Nut, Hex Nyl Loc 1/4-20	72	56507798	1	Hose, Coolant Overflow
13	56003764	1	Scr-Hex M6-1 X 55mm	74	56507998	1	Seal
14	56002841	2	Nut, Hex Nyl Loc-Thin 3/8-16	75	56507999	1	Indicator, Air
15	56002923	1	Scr-Hex Hd Loc 5/16-18x.50	76	56508378	1	Hose, Upper Radiator
16	56003943	6	Scr-Hex Flange SS M6-1 X 16mm	77	56508393	1	Belt, Vee
17	56003944	1	Scr-Hex M10-1.25 X 130mm	79	56508404	1	Hose, Air Intake
18	56003945	1	Nut-Hex M10-1.25	80	56508427	1	Bracket Radiator Support
19	56009214	2	Wsh-Flt .406 x .750 x .090	81	56508428	1	Bracket, Radiator Iso Support
20	56107735	1	Hose Breather	82	56508429	1	Bracket, Alternator Diesel
21	56107747	1	Spacer	83	56508938	1	Bracket Air Filter
22	56112771	2	Clamp- Hose SAE #10	84	56508941	1	Spacer Fan
23	56244969	6	Clamp- Hose SAE #12	85	56508942	1	Hose Lower Coolant
24	56507795	1	Spacer, Coil Bracket	86	56510140	1	Fan-Cooling
25	56009019	2	Scr, Hex Thd Form 1/4-20 X .38	87	7-07-02002	1	Overflow Bottle Assy
26		1	Engine Base-Kubota 4-Cyl LPG <b>NOTE 1</b>	88	2-00-05674	1	Fitting, 1/4 NPT Hex Nipple, Brass
27	56459890	1	Conduit, 12 IN.				[ ] = Not Shown
31	56107577	1	Hose Intake Assy Lp				# = Revised or new since last update
43	56107618	1	Remote Oil Drain Valve Assy				<b>NOTE 1:</b> See Engine Base Assy - LPG.
44	56107620	1	Hose-Hydraulic				
45	56107643	1	Fan Guard Assy				
46	56107646	1	Vaporizer				
47	56107647	1	ECU-Kubota Lpg				
48	56107648	1	ECU-Mount Plate				
49	56107649	1	Hose-Coolant-Vaporizer Supply				
50	56107650	1	Hose-Coolant-Vaporizer Return				
51	56107651	1	LPG Hose-Vaporizer				
52	56107652	1	Fuel-Solenoid				
[ ]	56107653	1	Operator Manual				
54		1	Radiator Assy-6 Fin <b>(See Radiator Assembly)</b>				
55	56107676	1	Bracket-Vaporizer				
56	56110738	1	Alternator, 105 Amp				
[ ]	56510971	1	Pulley-Alternator				
57	56131601	4	Clamp- Hose SAE #16				
58	56219932	1	Clamp- Hose SAE #6				
59	56307249	1	Pulley, Fan (89mm)				

### ENGINE LPG SYSTEM-2

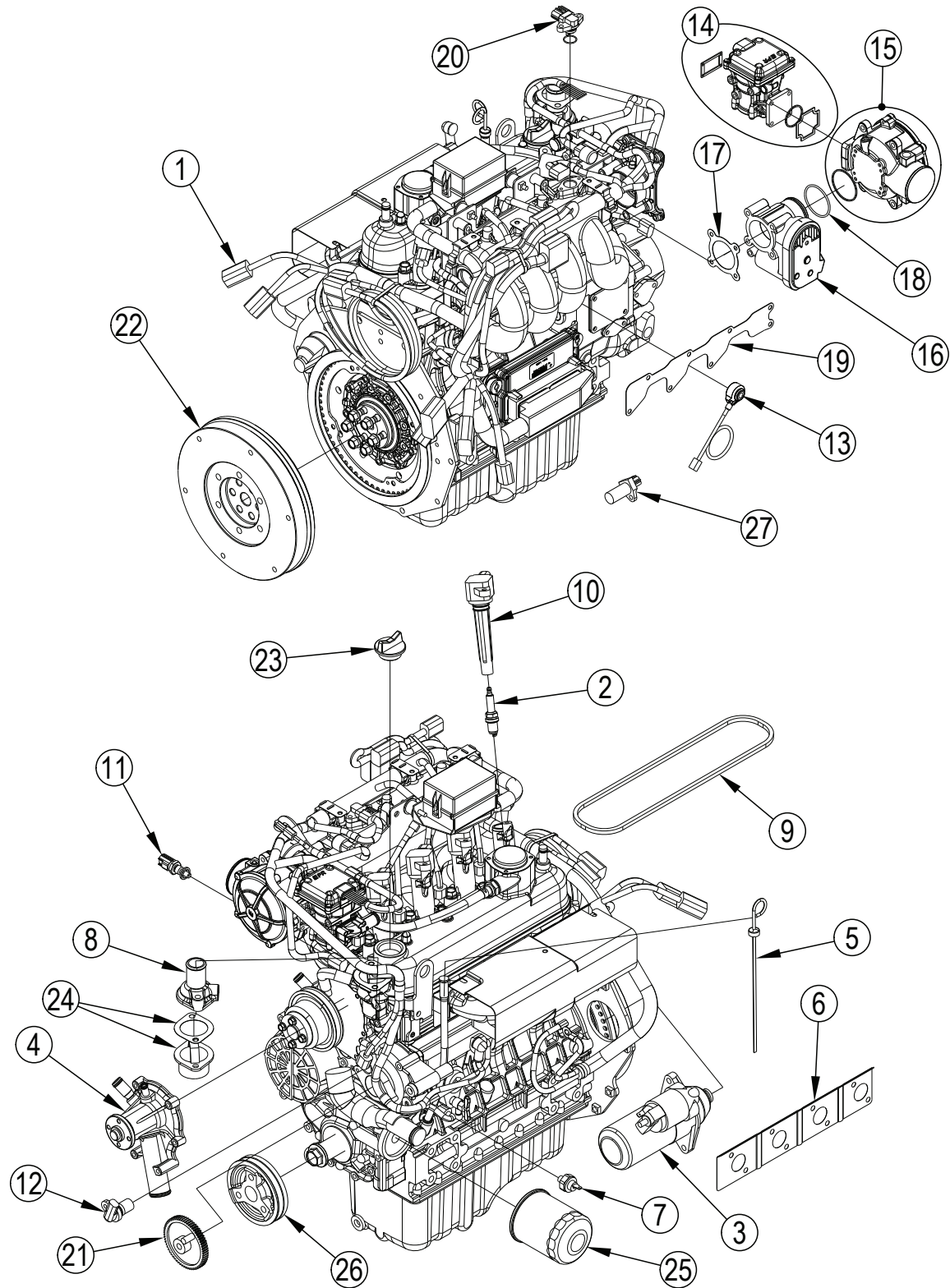


## ENGINE LPG SYSTEM-2

Item	Ref. No.	Qty	Description
1	56001879	2	Wsh-Flt SAE1/2
2	56001939	6	Wsh, Flt SAE5/16
3	56001995	1	Scr-Hex 1/2-13 X 1.75
5	56002037	6	Scr-Hex 5/16-18 X .88
6	56002063	2	Wsh, Flt SAE 3/8
10	56002533	2	Scr-Hex 1/2-13 X 2.50
13	56002770	2	Nut-Hex Nyl Loc 1/2-13
16	56002983	2	Scr-Hex 1/2-13 X 2.00
17	56003019	12	Scr-Hex M10-1.25 X 25mm
18	56003021	2	Scr-Hex M10-1.25 X 50mm
19	56003409	2	Nut, Hex M10-1.5
20	56003410	2	Nut, Hex M12-1.75
21	56003352	4	Nut, Hex M8-1.25
22	56003685	10	Wsh, Nord-Lock M8
23	56003708	2	Scr-Hex M12-1.75 X 55mm
24	56003889	2	Wsh-Flt 12mm
27	56107550	1	Muffler
28	56107558	1	Exhaust Tube Weldment
29	56107566	1	Hanger Muffler
30	56107568	1	Clamp Bracket Weldment
32	56107581	1	Blanket Exhaust
33	56107582	1	Hanger Catalytic
34	56107585	1	Mount Rt Weldment
35	56107586	1	Mount Lt Weldment
36	56107590	1	Gasket Manifold
37	56107591	1	Gasket-Cat Inlet
38	56107592	1	Gasket-Cat Outlet
39	56107613	2	Sensor Oxygen
40	56107614	1	Catalyst Kubota
41	56107616	1	Lock Screw
42	56107617	1	Lock Screw
64	56478685	5	Mount, Rubber
67	56507444	4	Washer, Isolator Head
68	56507448	5	Washer, Isolator Tail
73	56507988	1	Bracket, Engine Mount, Diesel
78	56508403	1	Bell Housing
89	56002063	4	Wsh, Flt SAE 3/8
90	56003080	4	Scr-Soc Hd 3/8-16 x 0.75
91	56107645	1	Guard Muffler Weldt
92	56303651	1	Clamp, Hose Support
93	2-00-04345	2	Ty-Rap (Thomas&Betts Ty-28M)

[ ] = Not Shown

### ENGINE BASE ASSY - LPG

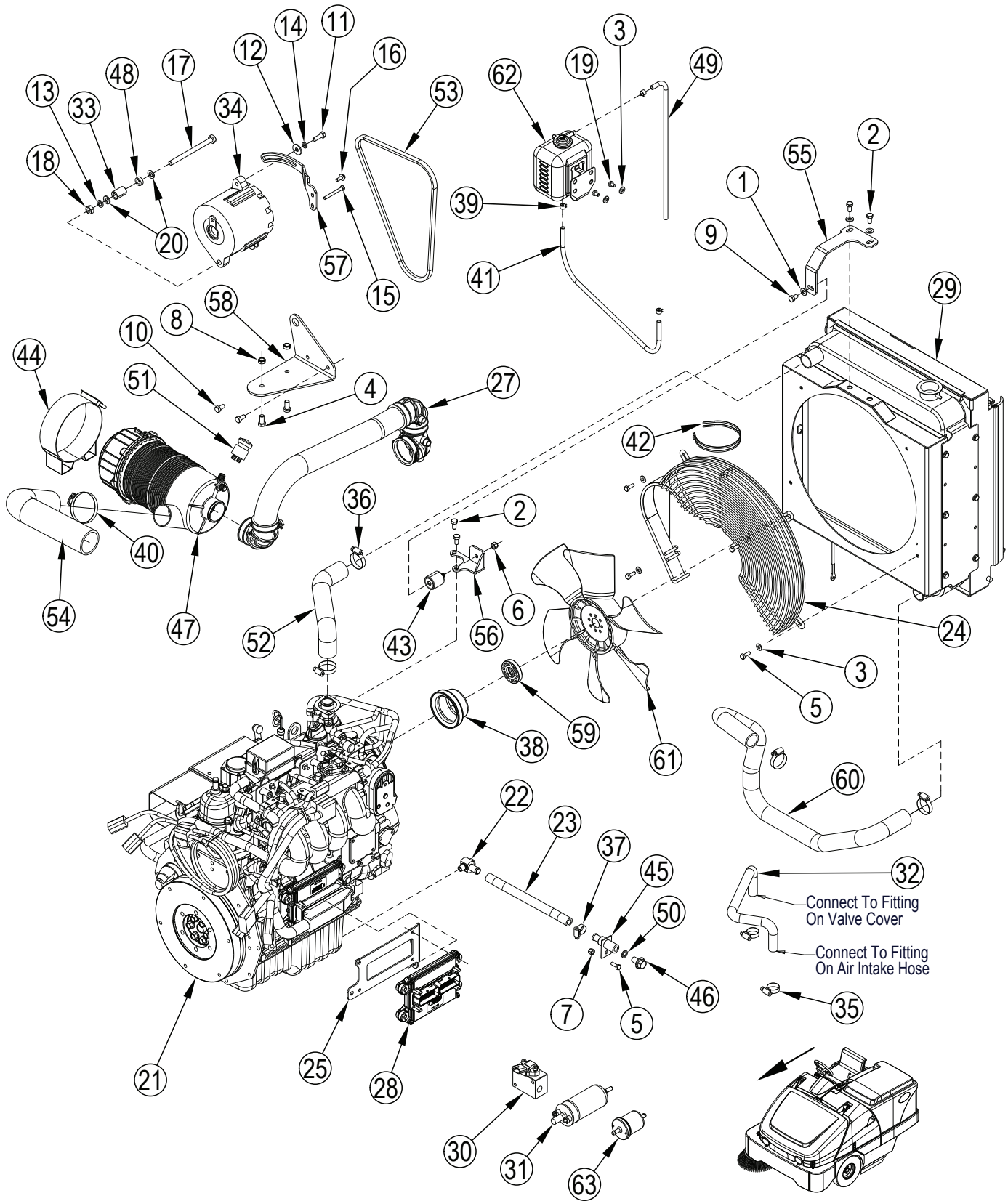


**ENGINE BASE ASSY - LPG**

<b>Item</b>	<b>Ref. No.</b>	<b>Qty</b>	<b>Description</b>
1	56107705	1	Harness-Kubota 4 Cyl LPG
2	56107706	4	Spark Plug
3	56107707	1	Starter
4	56107708	1	Water Pump Assy-Lpg
5	56107710	1	Dipstick
6	56107711	1	Gasket-Exhaust Manifold
7	56107712	1	Oil Pressure Switch
8	56107716	1	Cover-Thermostat
9	56107717	1	Gasket-Valve Cover
10	56107718	4	Ignition Coil
11	56107721	1	Water Temp Sensor W/Seal
12	56107736	1	Cam Sensor
13	56107737	1	Knock Sensor
14	56107738	1	DEPR Assy
15	56107739	1	Mixer Assy
16	56107740	1	Throttle Body
17	56107741	1	Gasket Throttle Body
18	56107742	1	O-Ring
19	56107743	1	Gasket Intake Manifold
20	56107744	1	Tmap Sensor
21	56107745	1	Cam Gear
22	56107746	1	Flywheel
23	56383025	1	Cap-Oil Fill
24	56508454	1	Thermostat Kit
25	56508487	1	Oil Filter Cartridge
26	56510973	1	Pulley-Crankshaft
27	2-00-06354	1	Crank/RPM Sensor
[ ]	56107713	1	Gasket Set-Upper
[ ]	56107714	1	Gasket Set-Lower
[ ]	56107748	2	Fuse-15 Amp
[ ]	56107749	1	Fuse-10 Amp
[ ]	56107750	2	Fuse-5 Amp
[ ]	56107751	1	Micro Relay-35A/20A
[ ]	56107752	1	Mini Relay-50A/30A

[ ] = Not Shown

ENGINE PETROL SYSTEM-1



### ENGINE PETROL SYSTEM-1

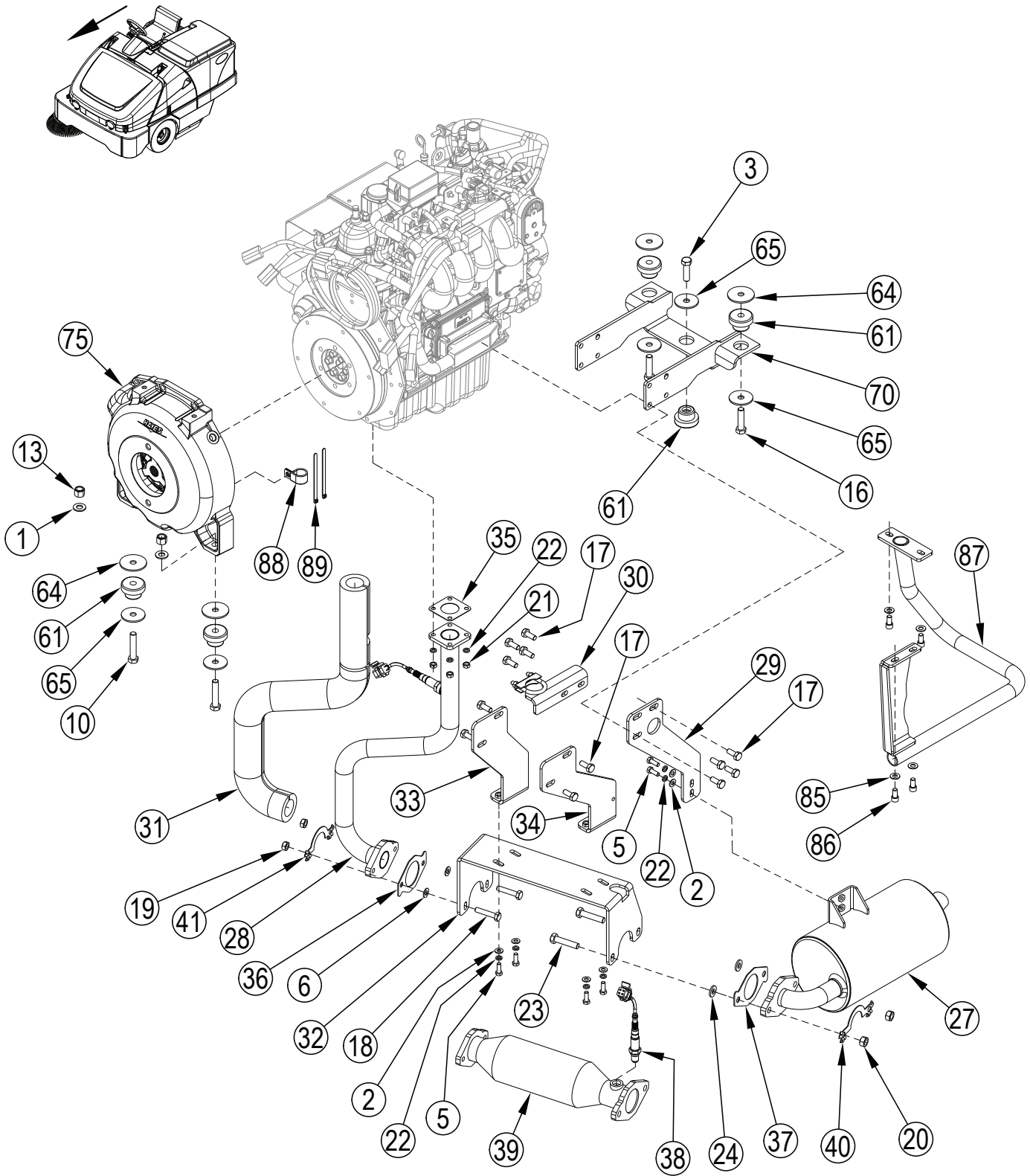
Item	Ref. No.	Qty	Description	Item	Ref. No.	Qty	Description
1	56001939	3	Wsh, Flt SAE 5/16	50	56507998	1	Seal
2	56002035	4	Scr-Hex 5/16-18 X .62	51	56507999	1	Indicator, Air
3	56002098	6	Wsh, Flt SAE 1/4	52	56508378	1	Hose, Upper Radiator
4	56002127	2	Scr-Hex 3/8-16 X .75	53	56508393	1	Belt, Vee
5	56002155	5	Scr-Hex 1/4-20 X .75	54	56508404	1	Hose, Air Intake
6	56002701	1	Nut, Hex Nyl Loc 5/16-18	55	56508427	1	Bracket Radiator Support
7	56002708	1	Nut, Hex Nyl Loc 1/4-20	56	56508428	1	Bracket, Radiator Iso Support
8	56002841	2	Nut, Hex Nyl Loc-Thin 3/8-16	57	56508429	1	Bracket, Alternator Diesel
9	56002923	1	Scr-Hex Hd Loc 5/16-18 x .50	58	56508938	1	Bracket Air Filter
10	56003178	2	Scr-Hex M8-1.25 X 16mm	59	56508941	1	Spacer Fan
11	56003436	1	Scr-Hex SS M8-1.25 X 25mm	60	56508942	1	Hose Lower Coolant
12	56003646	1	Wsh, Flt SS 8mm	61	56510140	1	Fan-Cooling
13	56003684	1	Wsh, Nord-Lock M10	62	7-07-02002	1	Overflow Bottle Assy
14	56003685	1	Wsh, Nord-Lock M8	63	7-24-04059	1	Fuel Filter
15	56003764	1	Scr-Hex M6-1 X 55mm				
16	56003943	1	Scr-Hex Flange SS M6-1 X 16mm				
17	56003944	1	Scr-Hex M10-1.25 X 130mm				
18	56003945	1	Nut-Hex M10-1.25				
19	56009019	2	Scr, Hex Thd Form 1/4-20 X .38				
20	56009214	2	Wsh-Flt .406 x .750 x .090				
21		1	Engine Base-Kubota 4cyl Petrol <b>NOTE 1</b>				
22	56107618	1	Remote Oil Drain Valve Assy				
23	56107620	1	Hose-Hydraulic				
24	56107643	1	Fan Guard Assy				
25	56107648	1	ECU-Mount Plate				
[ ]	56107653	1	Operator Manual				
27	56107663	1	Air Intake Assy-Petrol				
28	56107664	1	ECU-Kubota Petrol				
29		1	Radiator Assy-6 Fin ( <b>See Radiator Assembly</b> )				
30	56107670	1	Fuel Manifold				
31	56107671	1	Fuel Pump				
32	56107735	1	Hose Breather				
33	56107747	1	Spacer				
34	56110738	1	Alternator, 105 Amp				
[ ]	56510971	1	Pulley-Alternator				
35	56112771	2	Clamp- Hose SAE #10				
36	56131601	4	Clamp- Hose SAE #16				
37	56219932	1	Clamp- Hose SAE #6				
38	56307249	1	Pulley, Fan (89mm)				
39	56419118	3	Clamp, Hose Band				
40	56456797	1	Clamp- Hose SAE #36				
41	56465028	1	Hose, Coolant Overflow				
42	56478523	2	Tie, Cable				
43	56507372	1	Isolator-Engine				
44	56507389	1	Band, Air Cleaner				
45	56507496	1	Remote Oil Drain Outlet				
46	56507497	1	Oil Drain Plug				
47#	56384031	1	Air Cleaner Assy				
[ ]	7-24-04065	1	Filter Element ( <b>Outer</b> )				
[ ]	7-24-04066	1	Filter Element ( <b>Inner</b> )				
48	56507795	1	Spacer, Coil Bracket				
49	56507798	1	Hose, Coolant Overflow				

[ ] = Not Shown

# = Revised or new since last update

**NOTE 1:** See Engine Base Assy - Petrol.

### ENGINE PETROL SYSTEM-2

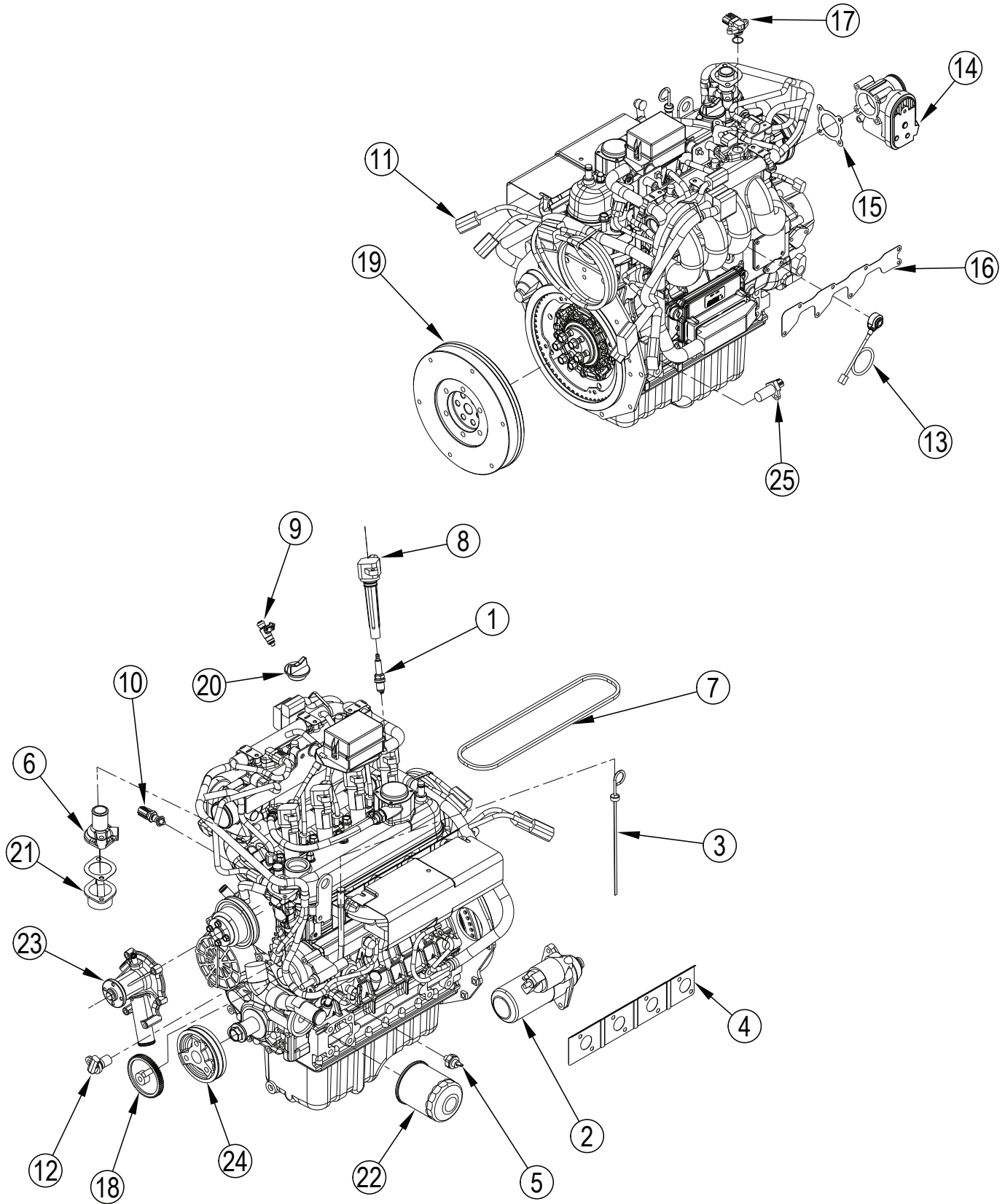


## ENGINE PETROL SYSTEM-2

Item	Ref. No.	Qty	Description
1	56001879	2	Wsh-Flt SAE 1/2
2	56001939	6	Wsh, Flt SAE 5/16
3	56001995	1	Scr-Hex 1/2-13 X 1.75
5	56002037	6	Scr-Hex 5/16-18 X .88
6	56002063	2	Wsh, Flt SAE 3/8
10	56002533	2	Scr-Hex 1/2-13 X 2.50
13	56002770	2	Nut-Hex Nyl Loc 1/2-13
16	56002983	2	Scr-Hex 1/2-13 X 2.00
17	56003019	12	Scr-Hex M10-1.25 X 25mm
18	56003021	2	Scr-Hex M10-1.25 X 50mm
19	56003409	2	Nut, Hex M10-1.5
20	56003410	2	Nut, Hex M12-1.75
21	56003352	4	Nut, Hex M8-1.25
22	56003685	10	Wsh, Nord-Lock M8
23	56003708	2	Scr-Hex M12-1.75 X 55mm
24	56003889	2	Wsh-Flt 12mm
27	56107550	1	Muffler
28	56107558	1	Exhaust Tube Weldment
29	56107566	1	Hanger Muffler
30	56107568	1	Clamp Bracket Weldment
31	56107581	1	Blanket Exhaust
32	56107582	1	Hanger Catalytic
33	56107585	1	Mount Rt Weldment
34	56107586	1	Mount Lt Weldment
35	56107590	1	Gasket Manifold
36	56107591	1	Gasket-Cat Inlet
37	56107592	1	Gasket-Cat Outlet
38	56107613	2	Sensor Oxygen
39	56107614	1	Catalyst Kubuta
40	56107616	1	Lock Screw
41	56107617	1	Lock Screw
61	56478685	5	Mount, Rubber
64	56507444	4	Washer, Isolator Head
65	56507448	5	Washer, Isolator Tail
70	56507988	1	Bracket, Engine Mount, Diesel
75	56508403	1	Bell Housing
85	56002063	4	Wsh, Flt SAE 3/8
86	56003080	4	Scr-Soc HD 3/8-16 x 0.75
87	56107645	1	Guard Muffler Weldt
88	56303651	1	Clamp, Hose Support
89	2-00-04345	2	Ty-Rap (Thomas&Betts Ty-28M)

[ ] = Not Shown

### ENGINE BASE ASSY - PETROL

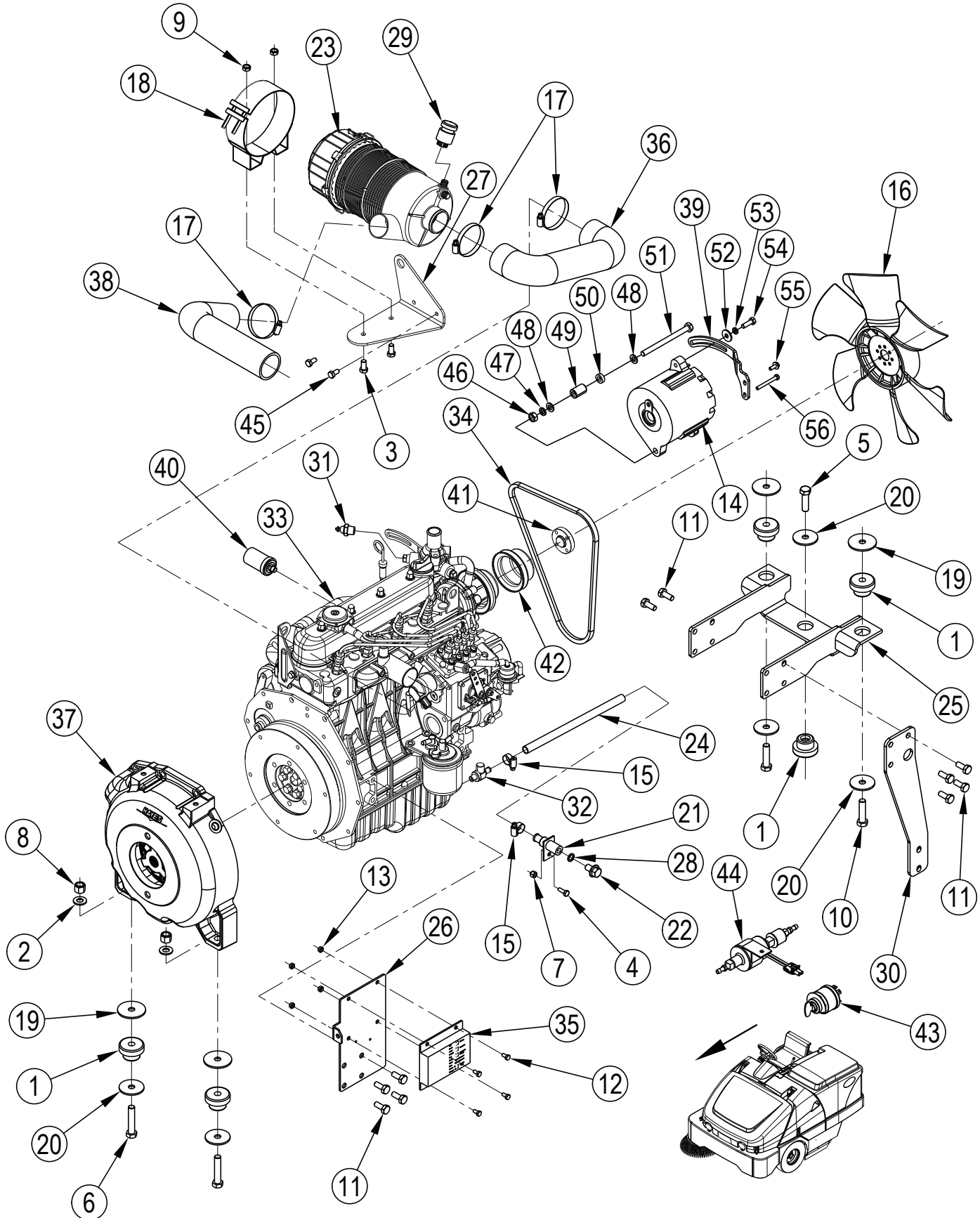


## ENGINE BASE ASSY - PETROL

Item	Ref. No.	Qty	Description
1	56107706	4	Spark Plug
2	56107707	1	Starter
3	56107710	1	Dipstick
4	56107711	1	Gasket-Exhaust Manifold
5	56107712	1	Oil Pressure Switch
6	56107716	1	Cover-Thermostat
7	56107717	1	Gasket-Valve Cover
8	56107718	4	Ignition Coil
9	56107720	4	Injector
10	56107721	1	Water Temp Sensor W/Seal
11	56107723	1	Harness-Kubota 4cyl Petrol
12	56107736	1	Cam Sensor
13	56107737	1	Knock Sensor
14	56107740	1	Throttle Body
15	56107741	1	Gasket Throttle Body
16	56107743	1	Gasket Intake Manifold
17	56107744	1	Tmap Sensor
18	56107745	1	Cam Gear
19	56107746	1	Flywheel
20	56383025	1	Cap-Oil Fill
21	56508454	1	Thermostat Kit
22	56508487	1	Oil Filter Cartridge
23	56510970	1	Water Pump-D1305
24	56510973	1	Pulley-Crankshaft
25	2-00-06354	1	Crank/RPM Sensor
[ ]	56107713	1	Gasket Set-Upper
[ ]	56107714	1	Gasket Set-Lower
[ ]	56107748	3	Fuse-15 Amp
[ ]	56107749	1	Fuse-10 Amp
[ ]	56107750	1	Fuse-5 Amp
[ ]	56107751	2	Micro Relay-35A/20A
[ ]	56107752	1	Mini Relay-50A/30A

[ ] = Not Shown

### ENGINE [KUBOTA] DIESEL SYSTEM-1



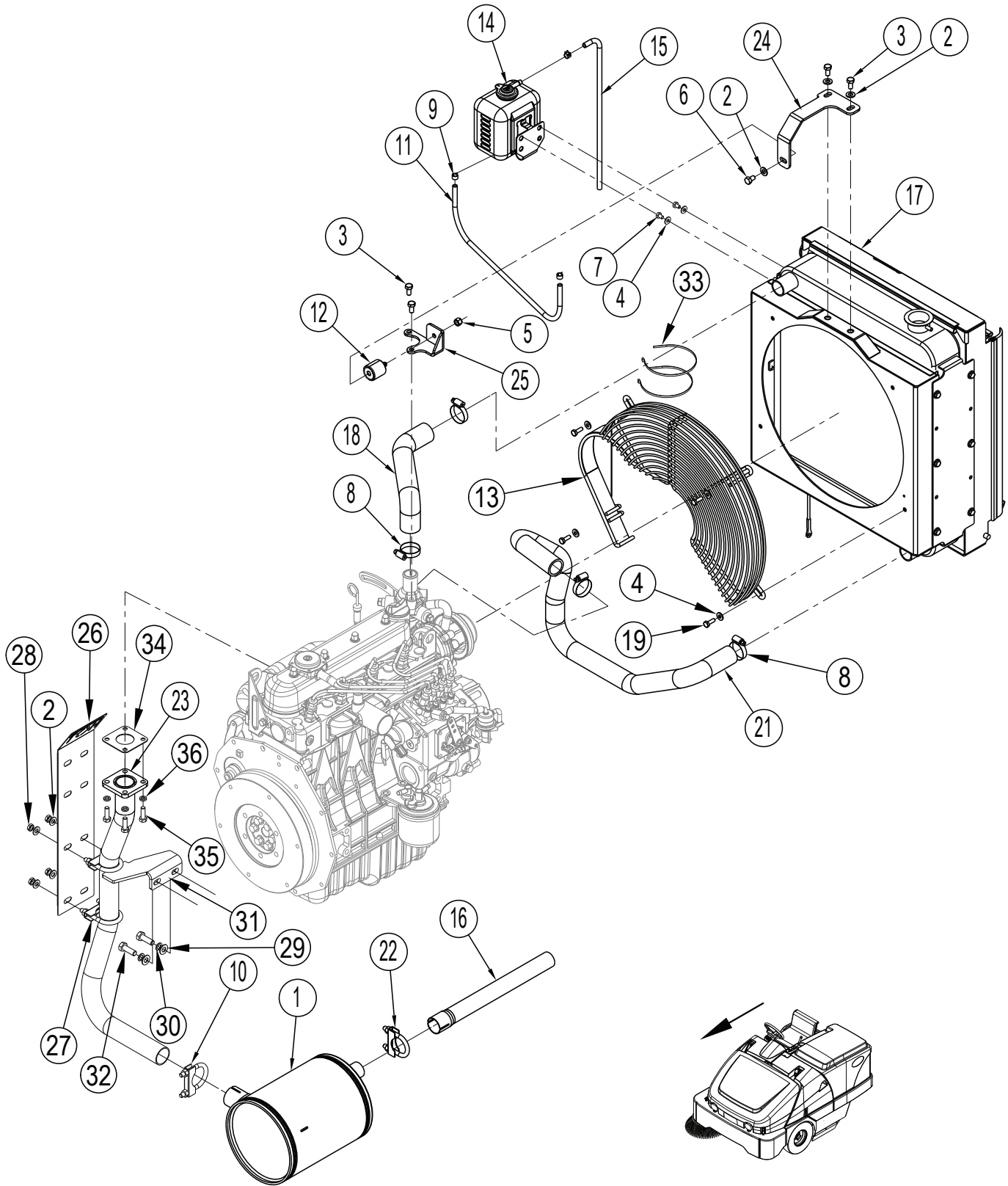
## ENGINE [KUBOTA] DIESEL SYSTEM-1

Item	Ref. No.	Qty	Description	Item	Ref. No.	Qty	Description
1	56478685	5	Mount, Rubber	30	56508212	1	Bracket, Muffler Hanger
2	56001879	2	Wsh, Flt SAE 1/2	31	56419091	1	Switch, Temp
3	56002127	2	Scr, Hex 3/8-16 X .75	32	56508375	1	Engine Oil Drain Valve
4	56002155	1	Scr, Hex 1/4-20 X .75	33		1	Engine, 4 Cyl Diesel
5	56001995	1	Scr, Hex 1/2-13 X 1.75	34	56508393	1	Belt, Vee
6	56002533	2	Scr, Hex 1/2-13 X 2.50	35	56508400	1	Governor Controller
7	56002708	1	Nut, Hex Nyl Loc 1/4-20	36	56508402	1	Hose, Air Intake
8	56002770	2	Nut, Hex Nyl Loc 1/2-13	37	56508403	1	Bell Housing
9	56002841	2	Nut, Hex Nyl Loc-Thin 3/8-16	38	56508404	1	Hose, Air Intake
10	56002983	2	Scr, Hex 1/2-13 X 2.00	39	56508429	1	Bracket, Alternator Diesel
11	56003019	10	Scr, Hex M10-1.25 X 25mm	[ ]	56508004	1	Harness, Kubota Diesel
12	56003155	4	Scr, Hex M6-1 X 12mm	40	56508444	1	Switch, Pressure
13	56003744	4	Nut, Self-Clinching M6-1	41	56508941	1	Spacer-Fan
14	56110738	1	Alternator, 105 Amp	42	56307249	1	Pulley, Fan (89 mm)
15	56219932	2	Clamp, Hose SAE #6	43	56497754	1	Key Switch
16	56510140	1	Fan	44	56508355	1	Fuel Pump Electronic
17	56456797	3	Clamp, Hose SAE #36	45	56003178	2	Scr Hex Thd To Hd M8-1.25X16mm
18	56507389	1	Band, Air Cleaner	46	56003945	1	Nut-Hex M10-1.25
19	56507444	4	Washer, Isolator Head	47	56003684	1	Wsh Nord-Lock M10
20	56507448	5	Washer, Isolator Tail	48	56009214	2	Wsh Flt .406X.750X.090
21	56507496	1	Remote Oil Drain Outlet	49	56107747	1	Spacer
22	56507497	1	Oil Drain Plug	50	56507795	1	Spacer Coil Bracket
23#	56384031	1	Air Cleaner Assy	51	56003944	1	Scr-Hex M10-1.25 X 130mm
[ ]	7-24-04066	1	Air Filter Cartridge, Safety	52	56003646	1	Wsh Flt SS M8
[ ]	7-24-04065	1	Air Filter Cartridge, Primary	53	56003685	1	Washer Nord-Loc M8
24	56507964	1	Hose, Remote Oil Drain	54	56003436	1	Scr Hex SS M8-1.25X25MM
25	56507988	1	Bracket, Engine Mount, Diesel	55	56003943	1	Scr-Hex Flange SS M6-1 X 16mm
26	56507991	1	Bracket, Fuel Pump	56	56003764	1	Scr Hex M6-1 X 55mm
27	56508938	1	Bracket, Air Cleaner				
28	56507998	1	Seal				
29	56507999	1	Indicator, Air				

[ ] = Not Shown

# = Revised or new since last update

### ENGINE [KUBOTA] DIESEL SYSTEM-2



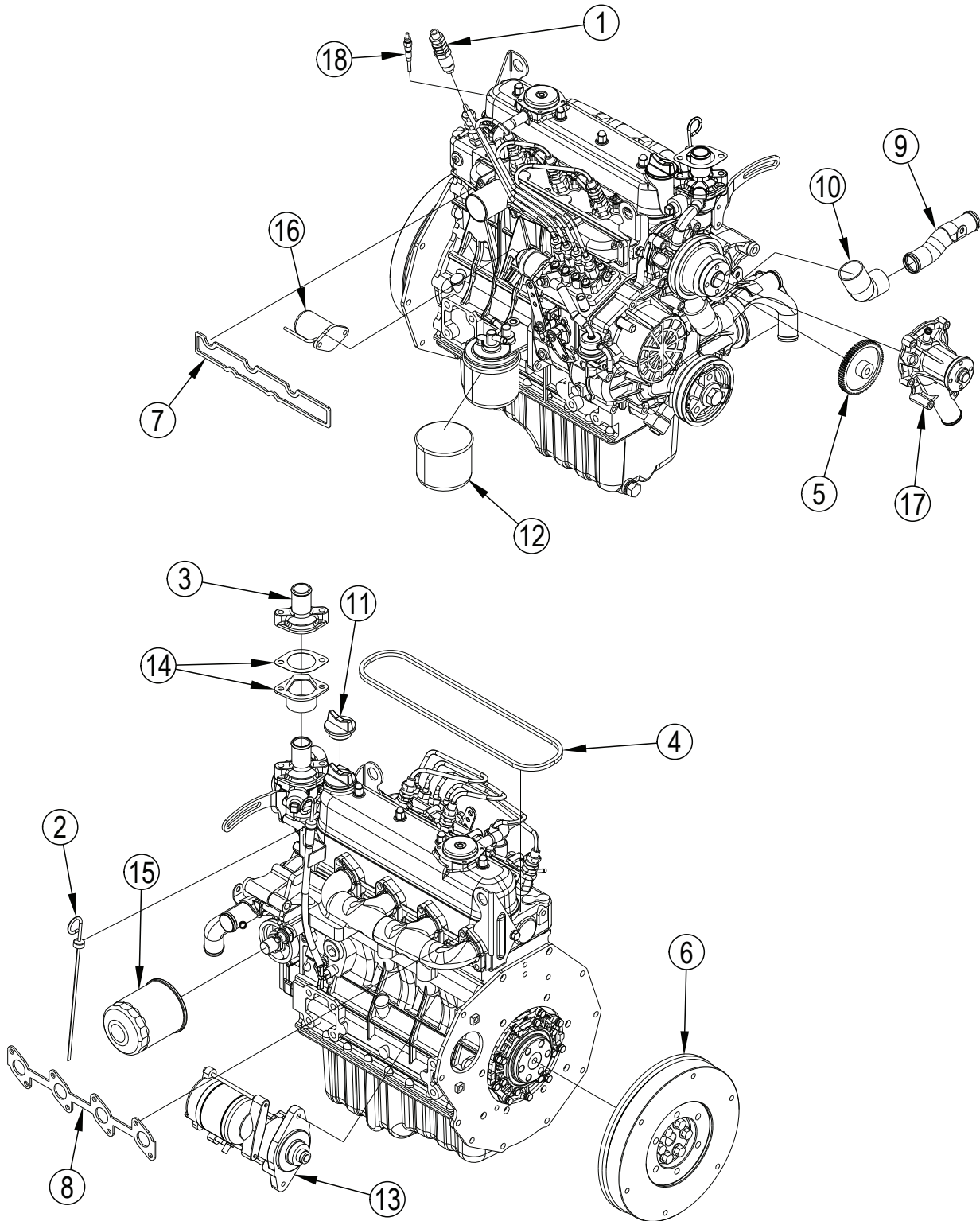
## ENGINE [KUBOTA] DIESEL SYSTEM-2

Item	Ref. No.	Qty	Description
1	7-49-00038	1	Muffler
2	56001939	7	Wsh, Flt SAE 5/16
3	56002035	4	Scr, Hex 5/16-18 X .62
4	56002098	6	Wsh, Flt SAE 1/4
5	56002701	1	Nut, Hex Nyl Loc 5/16-18
6	56002923	1	Scr, Hex Hd Loc 5/16-18 x .50
7	56009019	2	Scr, Hex Thd Form 1/4-20 x .38
8	56131601	5	Clamp, Hose SAE #16
9	56419118	3	Clamp, Hose Band
10	56456833	1	Clamp, Muffler 1.62
11	56465028	1	Hose, Coolant Overflow
12	56507372	1	Isolator, Engine
13	56107643	1	Fan Guard Assy
14	7-07-02002	1	Overflow Bottle
15	56507798	1	Hose, Coolant Overflow
16	56507871	1	Tail Pipe
17		1	Radiator Assy ( <b>See Radiator Assembly</b> )
18	56508378	1	Hose, Upper Radiator
19	56002155	4	Scr, Hex 1/4-20 X .75
21	56508942	1	Hose Lower Radiator
[ ]	56381962	1	Hose Lower Radiator <b>NOTE 1</b>
22	56508391	1	Clamp, Muffler
23	56508397	1	Exhaust Assembly
24	56508427	1	Bracket, Radiator Support
25	56508428	1	Bracket, Radiator Iso Support
26	56507449	1	Shield, Exhaust Heat
27	56343236	2	Clamp, Muffler 1.50
28	56009086	4	Nut, Hex Jam 5/16-18
29	56002063	2	Wsh, Flt SAE 3/8
30	2-00-02310	2	Lk Wash Helical Spr Zn
31	56508910	1	Exhaust Pipe Bracket
32	2-00-05961	2	Screw Hhc M10 X 1.25 X 30mm
33	56478523	2	Tie, Cable
34	56419107	1	Exhaust Gasket
35	56003436	4	Scr Hex SS M8-1.25X25mm
36	56003685	4	Washer Nord-Loc M8

[ ] = Not Shown

**NOTE 1:** Replacement part for rubber elbow which connects directly to the water pump.

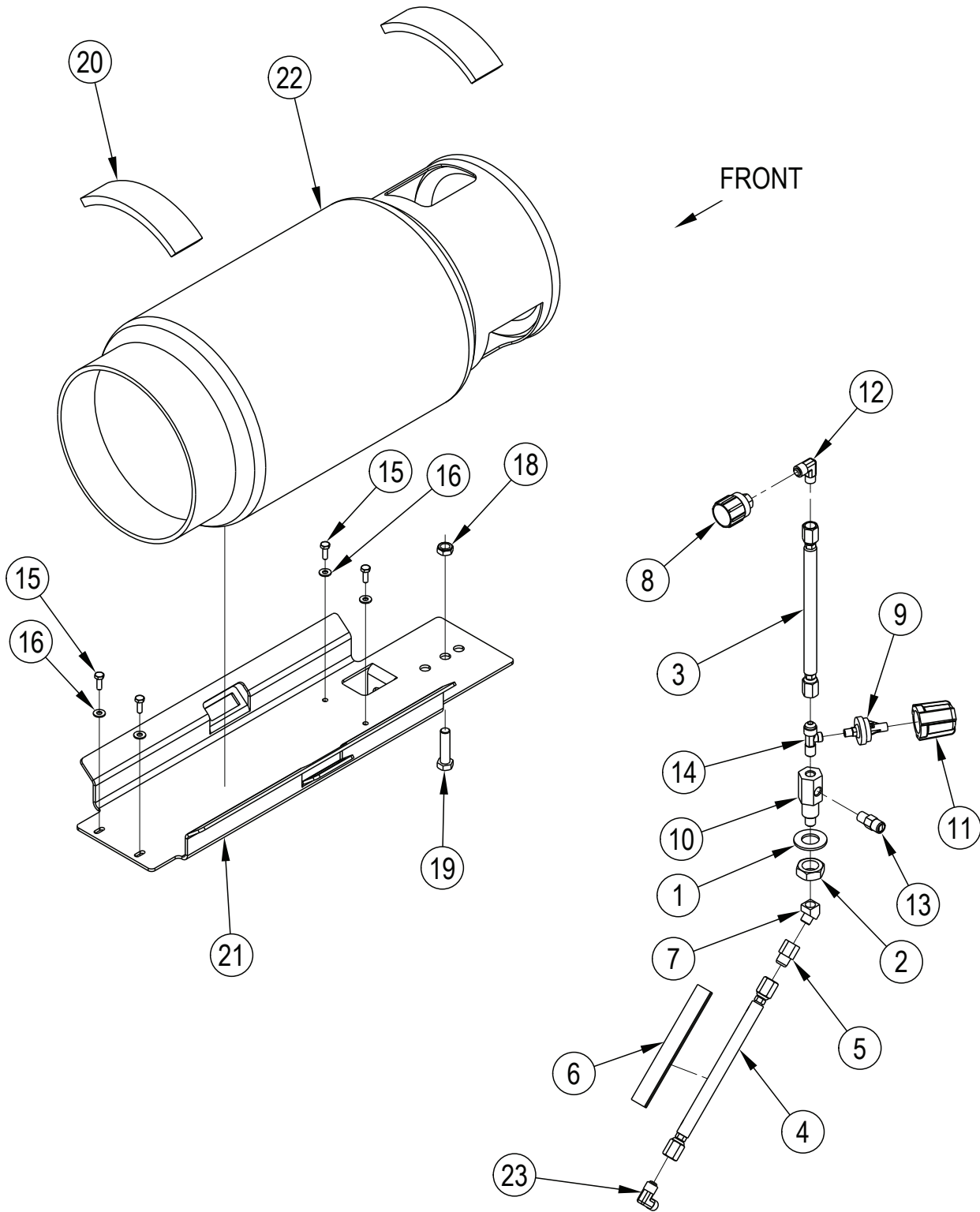
### ENGINE BASE ASSY - DIESEL



## ENGINE BASE ASSY - DIESEL

Item	Ref. No.	Qty	Description
1	33019750	4	Injector
2	56107710	1	Dipstick
3	56107716	1	Cover-Thermostat
4	56107717	1	Gasket-Valve Cover
5	56107758	1	Cam Gear
6	56107759	1	Flywheel
7	56107760	1	Gasket Intake
8	56107761	1	Gasket Exhaust
9	56381961	1	Tube Coolant
10	56381962	1	Hose Lower Radiator
11	56383025	1	Cap-Oil Fill
12	56419086	1	Fuel Filter Cartridge
13	56419089	1	Starter Motor
14	56508454	1	Thermostat Kit
15	56508487	1	Oil Filter Cartridge
16	56508490	1	Throttle/Shut Down Actuator
17	56510970	1	Water Pump-D1305
18	56510975	4	Glow Plug
[ ]	56463590	1	Glow Plug Timer
[ ]	56110738	1	Alternator 105A
[ ]	56508393	1	Belt, Vee
[ ]	56419088	1	Thermostat Assembly
[ ]	56508489	1	Thermostat Gasket
[ ]	56508444	1	Oil Pressure Switch
[ ]	56419091	1	Switch, Temp
[ ]	56508355	1	Fuel Pump Assembly
[ ]	56508470	1	Engine Operator Manual
[ ]	56504545	1	Seal-Crank Oil Front
[ ]	56504546	1	Seal-Crank Oil Rear
[ ]	56382861	1	Coupling Pump Drive-Kubota
[ ]	56107762	1	Gasket Set-Upper
[ ]	56107763	1	Gasket Set-Lower

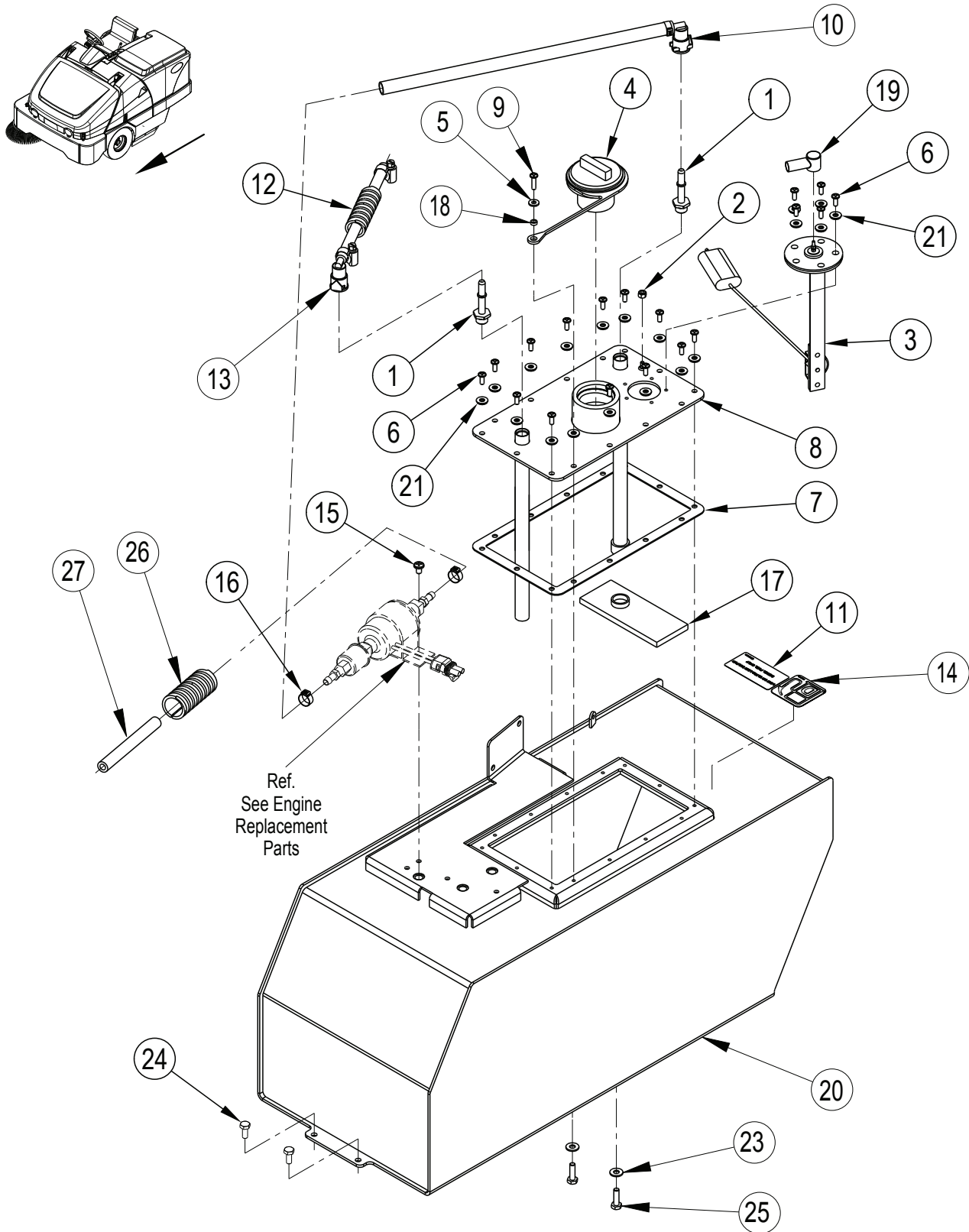
### ENGINE LPG TANK & FILTER ASSY



## ENGINE LPG TANK &amp; FILTER ASSY

Item	Ref. No.	Qty	Description
	56507347	1	LPG Filter Assembly (items 1-14) (used on Non-Cab models only)
1	56002228	1	Wsh, Flt SAE 7/8
2	56002615	1	Nut, Hex Jam 7/8-14
3	56305503	1	Hose Assy
4	56305504	1	Hose Assy
5	56305505	1	Adapter-SAE 45 Deg.
6	56305506	1	Conduit
7	56368938	1	Elbow-45 Street
8	56369675	1	Coupler-Female
9	56418381	1	Switch-N.C. Pressure
10	56418934	1	Fitting-Bulkhead
11	56419241	1	Dust Boot
12	56456608	1	Elbow-Male 90
13	56456624	1	Vent-1/4 NPT
14	56900921	1	Tee 1/4 NPT X 1/8 NPT X 3/8 JIC
	56507057	1	LP Tank Assy (items 15-22) (used on both Cab & Non-Cab models)
15	56009033	4	Scr, Hex Thd Form 1/4-20 x .50
16	56002098	4	Wsh, Flt SAE 1/4
18	56002843	1	Nut, Hex Nyl Loc-Thin 1/2-13
19	56003740	1	Scr, Hex Thd To Hd 1/2-13 x 2.00
20	56507336	2	Gasket, LP Tank Mtg
21	56507558	1	Support, LP Tank
22	56456590	1	LP Tank, 33lb.
23	56456608	1	Elbow-Male 90

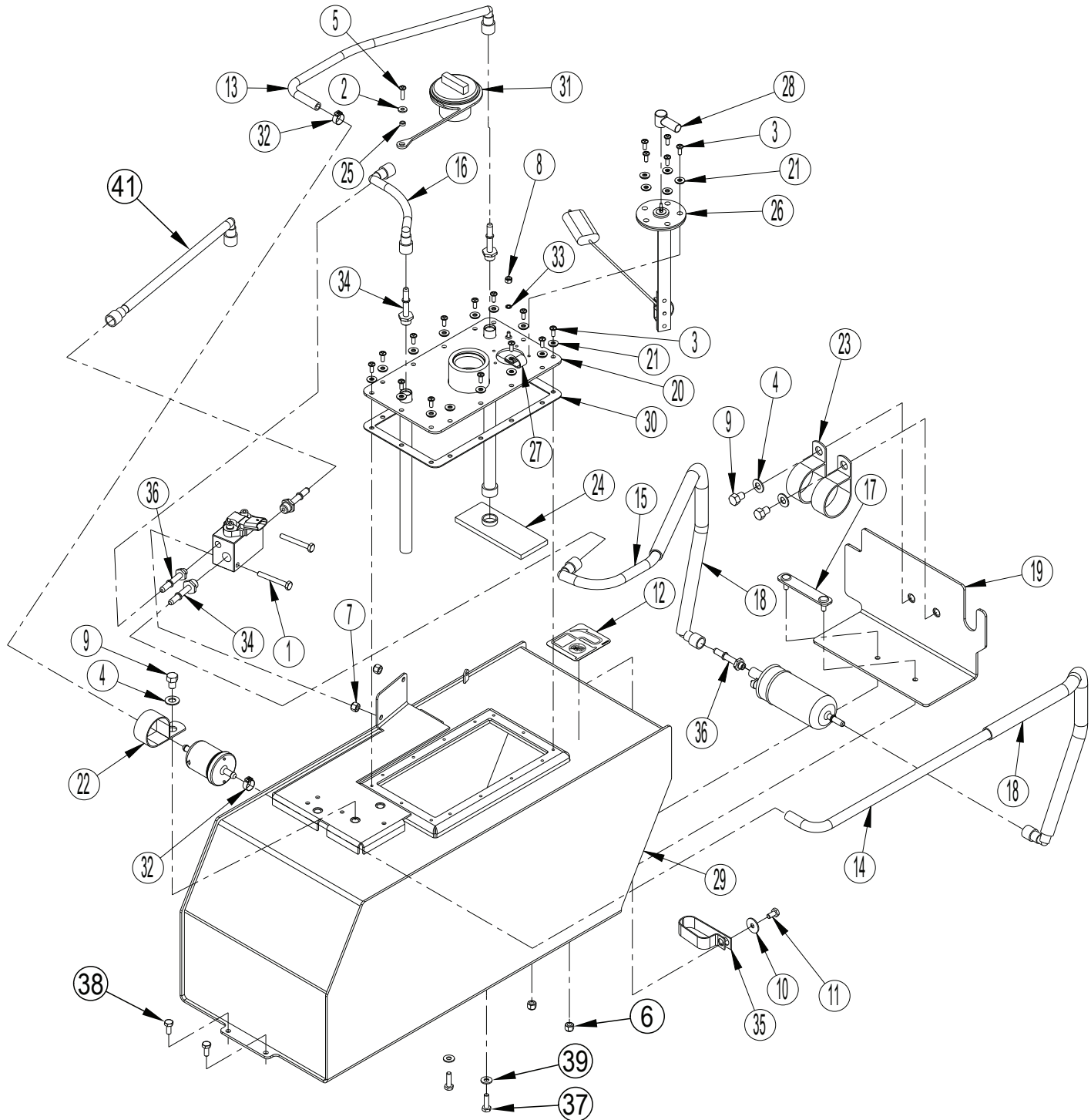
### ENGINE [KUBOTA] DIESEL FUEL TANK ASSY



## ENGINE [KUBOTA] DIESEL FUEL TANK ASSY

Item	Ref. No.	Qty	Description
	56508333	1	Tank Diesel Assembly (items 1-11, 14-21)
1	7-11-04083	2	-6 SAE x 5/16 Quick Connect Fitting
2	56002808	1	Nut, Hex Nyl Loc 8-32
3	56478358	1	Sender, Fuel Level
4	56508354	1	Fuel Cap
5	56001954	1	Wsh, Flt SAE #10
6	56001993	18	Scr, Pan Phil 10-24 x .50
7	56508349	1	Gasket, Cover
8	56508348	1	Cover Plate Weldt
9	56002192	1	Scr, Pan Phil 10-24 x .75
10	56507957	1	Hose Assy
11	56109404	1	Decal, Low Sulfur Diesel
12	56508654	1	Conduit
13	56508646	1	Hose Assembly
14	56025454	1	Decal, Diesel Fuel
15	56003603	1	Scr, Pan Phil Thd Form 1/4-20 x .38
16	56508515	2	Clamp
17	56419307	1	Strainer, Fuel
18	56454275	1	Bushing, .20 x .31 x .12
19	56492305	1	Boot, Rubber
20	56507946	1	Fuel Tank Weldt
21	56209261	19	Washer, Sealing 9/16
22			Intentionally Omitted
23	56002098	2	Wsh, Flt SAE 1/4
24	56009033	2	Scr Hex Thd Form 1/4-20x.50
25	56001821	2	Scr, Hex 1/4-20 x .88
26	56508357	1	Conduit
27	56508358	1	Hose, Fuel Line

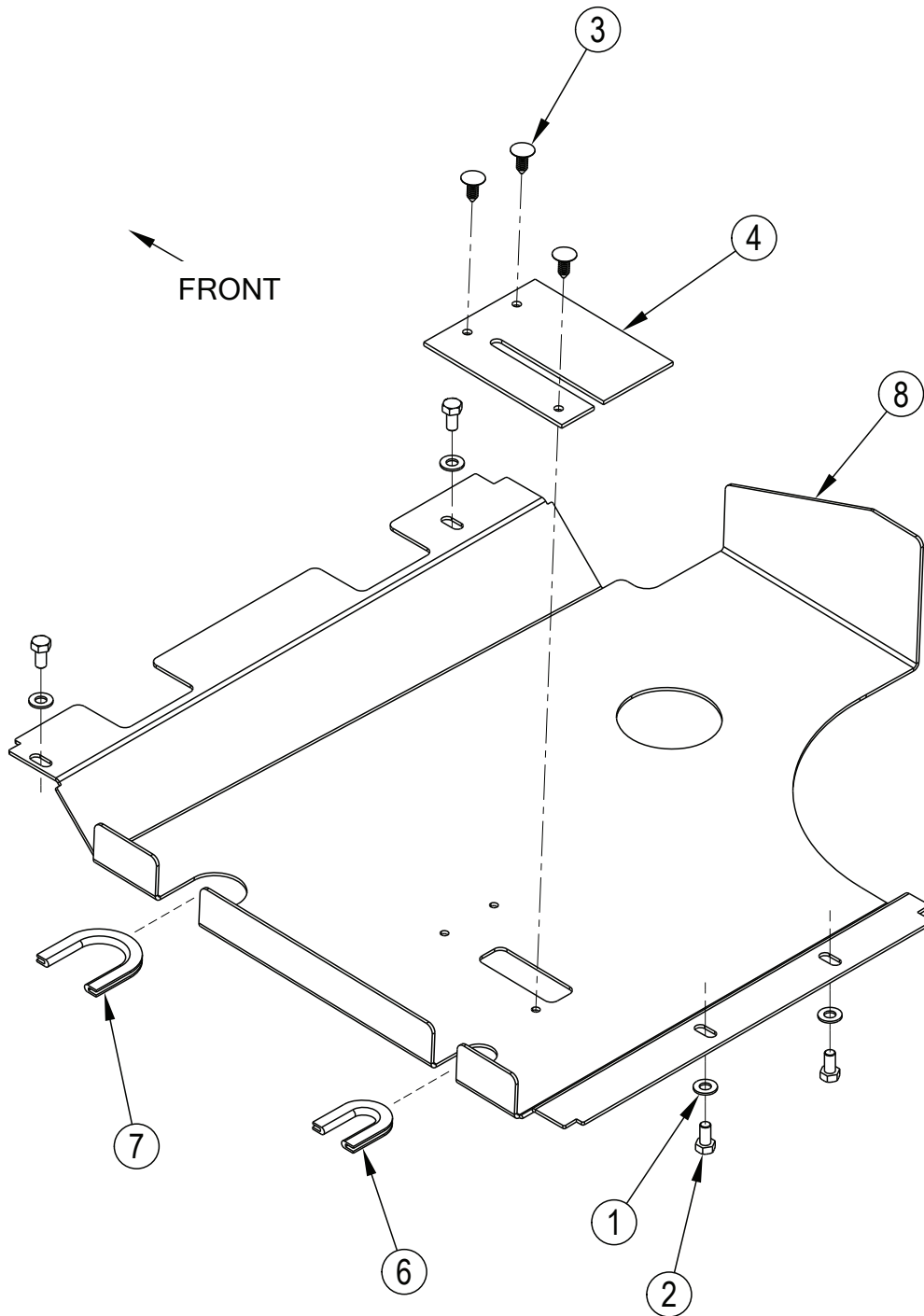
## ENGINE PETROL FUEL TANK ASSY



## ENGINE PETROL FUEL TANK ASSY

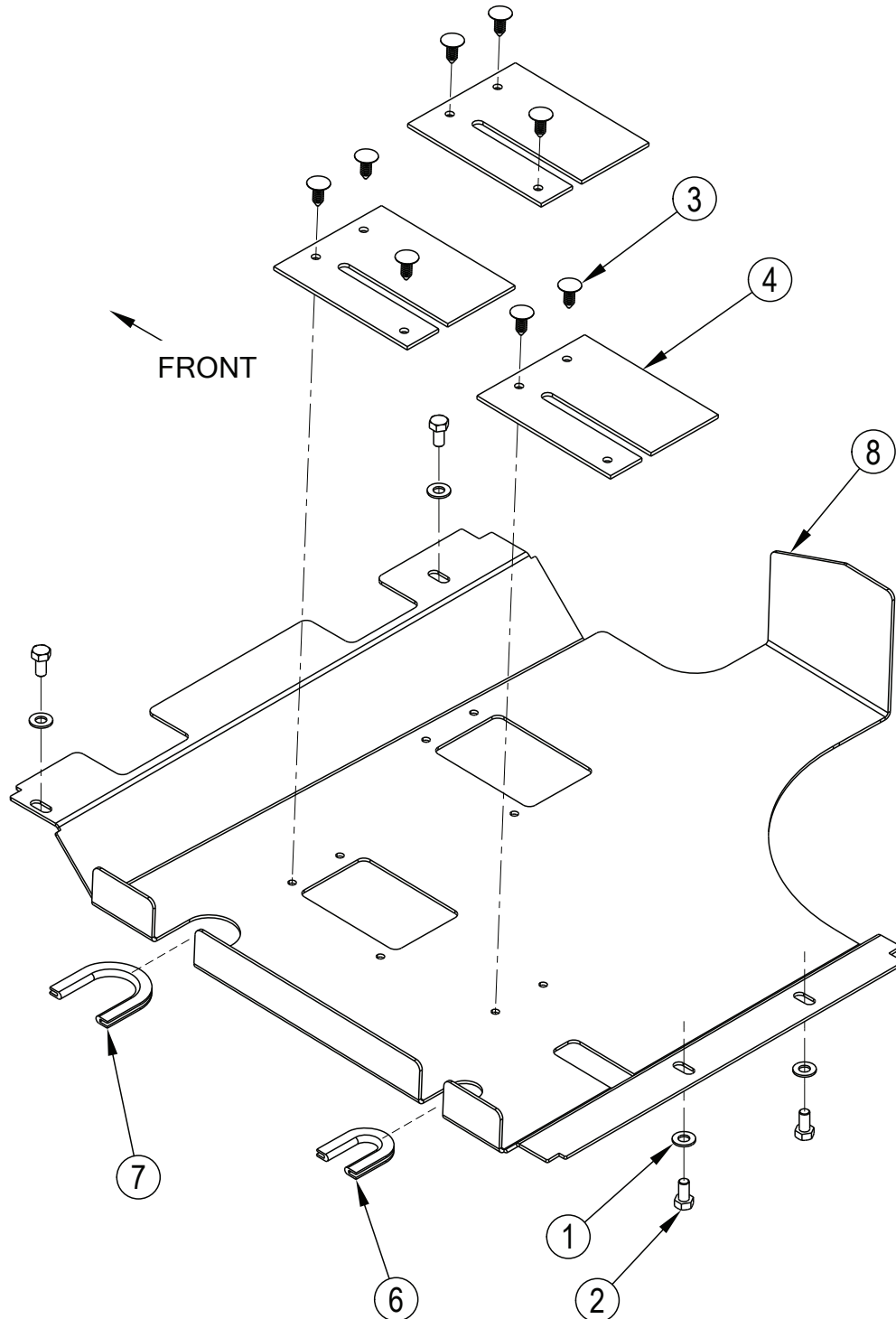
Item	Ref. No.	Qty	Description
	56107666	1	Tank-Petrol Assy (items 1-36)
1	56001874	2	Scr-Hex 1/4-20 X 2.00
2	56001954	1	Wsh, Flt SAE #10
3	56001993	18	Scr-Pan Phil 10-24 X .50
4	56002063	3	Wsh, Flt SAE 3/8
5	56002192	1	Scr-Pan Phil 10-24 X .75
6	56002491	2	Nut-Hex Nyl Loc Ss 1/4-20
7	56002708	2	Nut, Hex Nyl Loc 1/4-20
8	56002808	1	Nut, Hex Nyl Loc 8-32
9	56003023	3	Scr-Hex Hd Loc 3/8-16x.50
10	56009002	1	Wsh, Flt .266 X .906 X .060
11	56009033	1	Scr, Hex Thd Form 1/4-20 X .50
12	56016226	1	Decal. Unleaded Fuel
13	56107594	1	Fuel Hose Assy
14	56107595	1	Fuel Hose Assy
15	56107596	1	Fuel Hose Assy
16	56107754	1	Fuel Hose Assy
17	56107767	1	Plate-Screw
18	56107772	2	Conduit-Black-20x.75
19	56107773	1	Guard-Fuel Pump Weldment
20	56107776	1	Cover Plate Weldt
21	56209261	19	Washer, Sealing 9/16
22	56305024	1	P-Clamp
23	56305492	2	Clamp, P
24	56419307	1	Strainer, Fuel
25	56454275	1	Bushing, .20 X .31 X .12
26	56478358	1	Sender, Fuel Level
27	56486112	1	Clamp-P
28	56492305	1	Boot, Rubber
29	56507946	1	Fuel Tank Weldt
30	56508349	1	Gasket, Cover
31	56508354	1	Fuel Cap
32	56508515	2	Clamp
33	2-00-00506	1	Lk Wash Int Tooth 8 Dia Screw
34	7-11-04083	4	-6 SAE X 5/16 Quick Connect Fitting
35	2-00-05253	1	Clamp, 3/4" Wire, Double
36	7-11-04084	2	-3 SAE X 5/16 Quick Connect Fitting
37	56001821	2	Scr-Hex 1/4-20 X .88
38	56009033	2	Scr Hex Thd Form 1/4-20x.50
39	56002098	2	Wsh, Flt SAE 1/4
40			Intentionally Omitted
41	56107597	1	Fuel Hose Assy
[ ]	56305790	1	Wire Asm, Pigtail (fuel pump jumper)
[ ]	56508003	1	Harness, Gasoline Sensor
[ ]	56508357	1	Conduit Black .75

[ ] = Not Shown



### ENGINE BOTTOM COVER ASSY - DIESEL

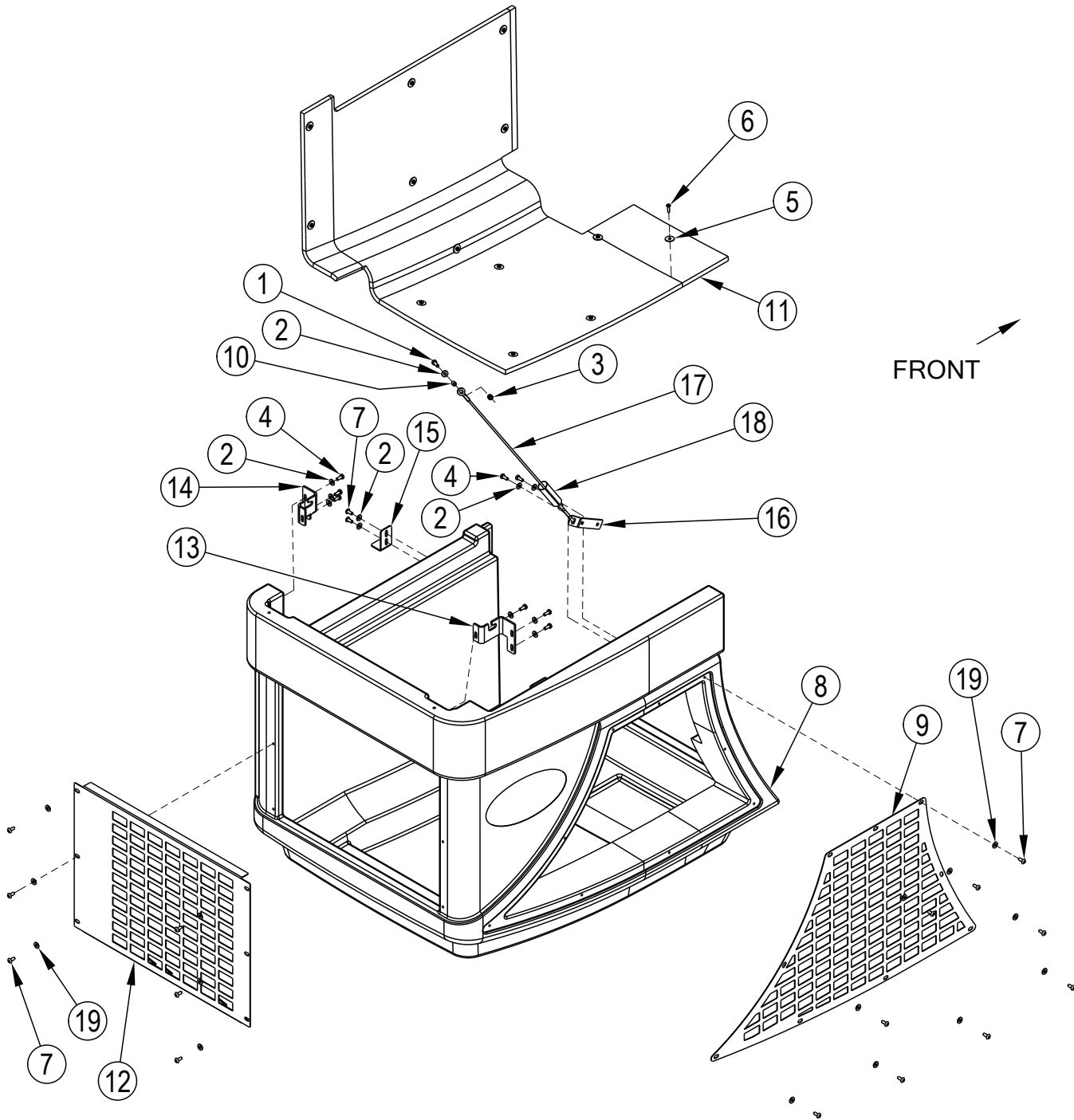
Item	Ref. No.	Qty	Description
	56107622	1	Bottom Engine Cover Assy (items 1-8)
1	56001939	4	Wsh, Flt SAE 5/16
2	56002929	4	Scr-Hex Hd Loc 5/16-18x.62
3	56003263	3	Rivet, Nylon Tree Push-In (.25)
4	56107608	1	Seal Bottom Cover
6	56107610	1	Trim-Edge
7	56107611	1	Trim-Edge
8	56107623	1	Bottom Engine Cover



**ENGINE BOTTOM COVER ASSY - LPG-PETROL**

Item	Ref. No.	Qty	Description
	56107606	1	Bottom Engine Cover Assy (items 1-8)
1	56001939	4	Wsh, Flt SAE 5/16
2	56002929	4	Scr-Hex Hd Loc 5/16-18x.62
3	56003263	8	Rivet, Nylon Tree Push-In (.25)
4	56107608	3	Seal Bottom Cover
6	56107610	1	Trim-Edge
7	56107611	1	Trim-Edge
8	56107607	1	Bottom Engine Cover

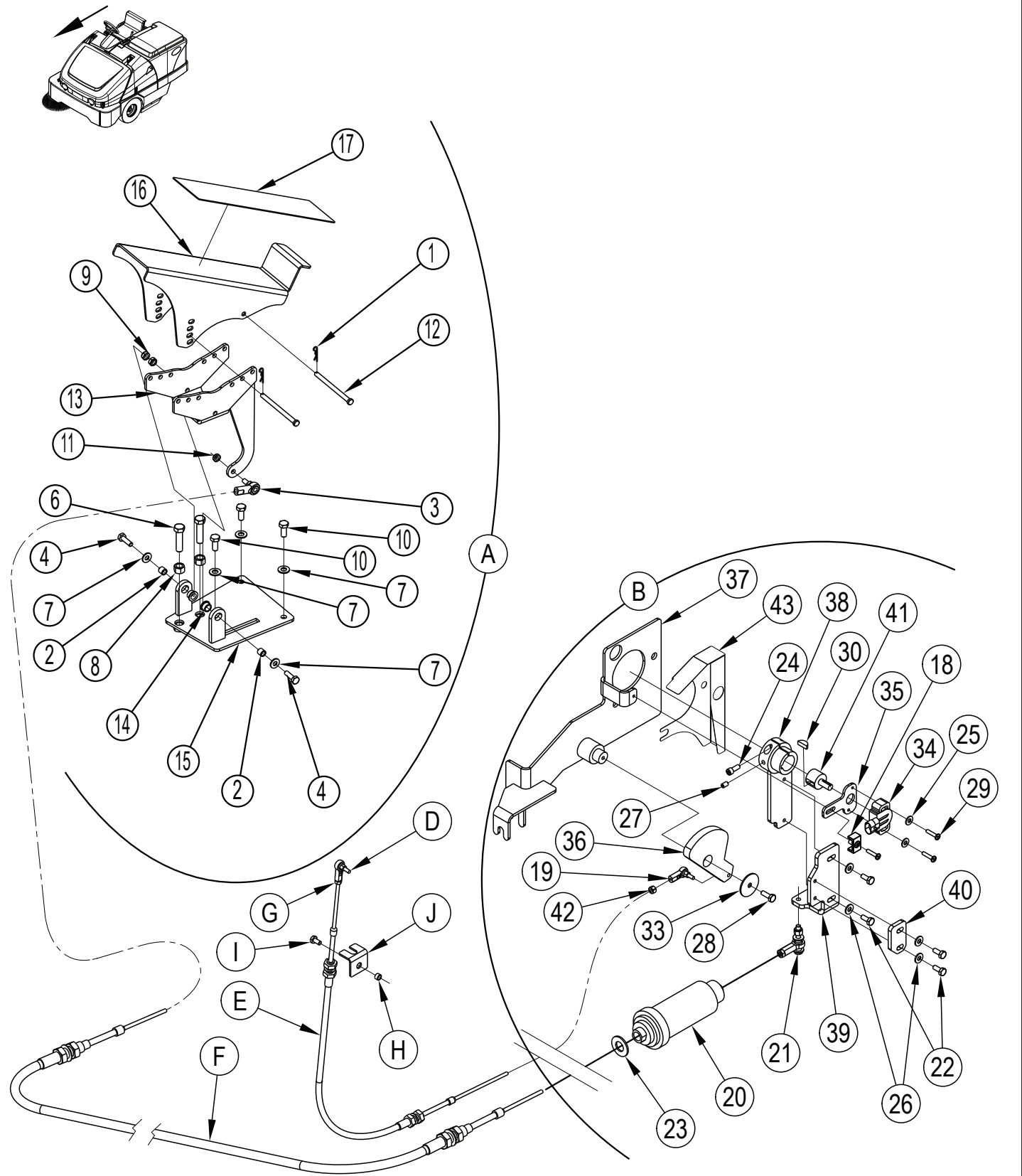
### ENGINE REAR COVER ASSY



**ENGINE REAR COVER ASSY**

<b>Kit</b>	<b>Item</b>	<b>Ref. No.</b>	<b>Qty</b>	<b>Description</b>
		56107576	1	Cover Rear Assy ( <b>items 1-18</b> )
	1	56002093	1	Scr-Hex 1/4-20 x 1.00
	2	56002098	11	Wsh, Flt SAE 1/4
	3	56002708	1	Nut, Hex Nyl Loc 1/4-20
	4	56002922	8	Scr-Hex Hd Loc 1/4-20 x .62
<b>K1</b>	5	56009002	13	Wsh, Flt .266 x .906 x .060
<b>K1</b>	6	56009005	13	Scr, Pan Phil SS Type AB 10-16 x .75
<b>K1</b>	7	56009120	17	Scr Panphil SS Type B 1/4-14 x .62
<b>K1</b>	8	56107579	1	Engine Cover Assy
<b>K1</b>	9	56107580	1	Vent Cover
	10	56321532	1	Bushing .25 x .37 x .40
<b>K1</b>	11	56507339	1	Foam Insulation
<b>K1</b>	12	56107657	1	Shroud Radiator
	13	56507401	1	Bracket, Engine Cover
	14	56507402	1	Bracket, Engine Cover
	15	56507584	1	Bracket, Engine Cover Clamp
	16	56508181	1	Bracket, Eng. Hood
	17	56508335	1	Cable Assembly
	18	56508774	1	Shrink Tube .75 x 2.5
	19	56002859	15	Wsh-Flt SAE SS 1/4
		<b><u>Service Kit</u></b>		
<b>K1</b>	56107615	1	Kit-Engine Cover Assy	

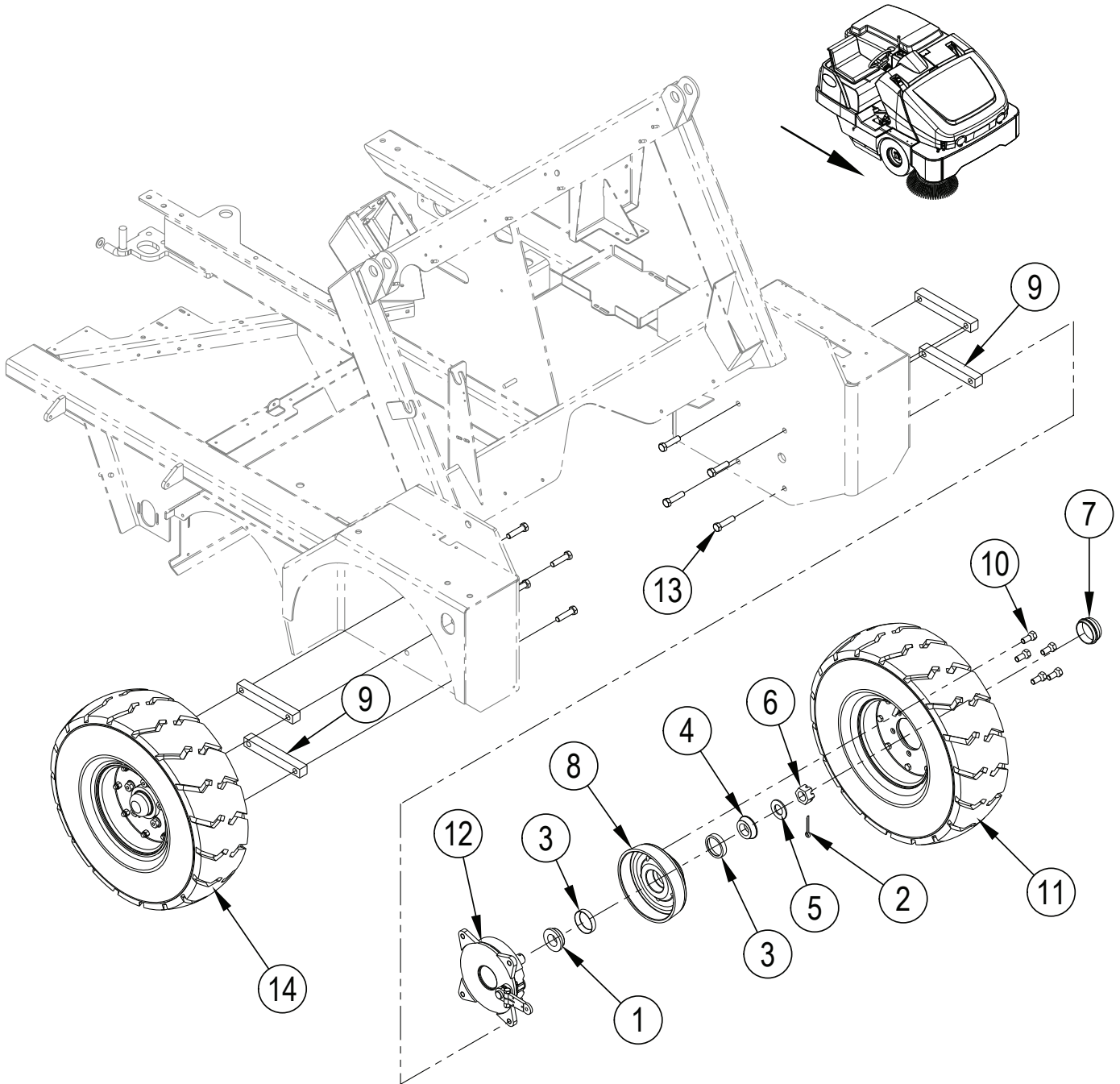
### FORWARD-REVERSE CONTROL ASSY



## FORWARD-REVERSE CONTROL ASSY

Item	Ref. No.	Qty	Description	Item	Ref. No.	Qty	Description
	56507049	1	FWD / REV 4 Cyl Control Assembly (A, B, D-J)				
A	56507647	1	Foot Pedal Assembly (items 1-17)	D	56488290	1	Rod End
1	56003332	2	Pin, Cot Hair .042 x .188	E	56418615	1	Cable, Push-Pull Control
2	56151106	2	Bushing	F	56507648	1	Cable, Push-Pull Control
3	56463720	1	Rod End	G	56001987	1	Nut, Hex Machine 10-32
4	56003844	2	Scr-Hex SS 1/4-20 x .88	H	56379298	1	Bushing
6	56003918	2	Scr-Hex Thd/Hd SS 3/8-16 x 1.50	I	56003039	1	Scr, Hex Hd Loc 1/4-20 x .50
7	56002859	5	Wsh-Fit SAE SS 1/4	J	56508500	1	Bracket, Speed Limit Cable
8	56003928	2	Nut-Hex Machine SS 3/8-16				
9	56002850	2	Nut, Hex Nyl Loc-Thin SS 1/4-20				# = Revised or new since last update
10	56003221	3	Scr-Hex Loc SS 1/4-20 x .75				
11	56003917	1	Nut-Hex Nyl Loc-Thin SS 1/4-28				
12	56003669	2	Pin, Clevis .25 x 3.50				
13	56107687	1	Pedal Weldt				
14	56304554	2	Bearing, Fl .500 x .375 x .313				
15	56107686	1	Plate-Foot Throttle				
16	56107685	1	Foot Pedal				
17	56507227	1	Mat, Pedal				
B	56507541	1	Pump Control Assembly (items 18-42)				
18	56111895	1	Guide-Encoder				
19	56488290	1	Rod End				
20	56455799	1	Hydroback				
21	56383880	1	Rod End Throttle Kit <b>TSB-FC-2014-007</b>				
22	56001836	4	Scr, Hex 1/4-20 x .62				
23	56002022	1	Wsh, Flt SAE 5/8				
24	56002032	1	Scr, Soc Hd 1/4-20 x 0.62				
25	56002053	2	Wsh, Flt Std #10				
26	56002098	4	Wsh, Flt SAE 1/4				
27	56002930	1	Scr, Soc Set Loc 1/4-20 x .38				
28	56002948	1	Scr, Hex Hd Loc 1/4-20 x .75				
29	56002996	3	Scr, Pan Phil 10-32 x .88				
30	56003230	1	Key, Wdf .75 x .25				
33	56009225	1	Wsh, Fender .281 x 1.50 x .074				
34	56305129	1	Rotary Sensor				
35	56305980	1	Plate-Sensor				
36	56419337	1	Cam, Nylon				
37	56507124	1	RTN Bracket				
38	56507126	1	Lever Weldment				
39	56507152	1	Lever				
40	56507153	1	Plate, Cam				
41	56507979	1	Adapter, Shaft				
42	56001987	1	Nut, Hex Machine 10-32				
43#	56384037	1	Guard-Pintle				

# FRONT WHEEL SYSTEM



## FRONT WHEEL SYSTEM

Item	Ref. No.	Qty	Description
1	2-00-02079	1	Bearing Cone <b>NOTE 1</b>
2	2-00-02436	1	Pin, Cotter <b>NOTE 1</b>
3	2-00-04621	2	Bearing Cup <b>NOTE 1</b>
4	2-00-04622	1	Bearing Cone <b>NOTE 1</b>
5	2-00-05239	1	Washer, Spacer <b>NOTE 1</b>
6	2-00-05026	1	1" x 14 Slotted Nut <b>NOTE 1</b>
7	8-11-00030	1	Grease Cap <b>NOTE 1</b>
8	56107724	1	Hub And Drum-Machined <b>NOTE 1</b>
9	8-75-01216	4	Spacer <b>NOTE 2</b>
10	8-80-05035	5	Stud - Wheel <b>NOTE 1</b>
11	8-89-08054	1	Whl Assy Pneumatic Front 6X9 <b>NOTE 1</b>
[ ]	8-65-05016	1	Rim Assy, 6 x 9 x 4
[ ]	8-85-06022	1	Tire - Pneumatic 6 x 9
[ ]	8-70-00087	1	Tube
[ ]	8-70-00086	1	Flap
12	0860-703	1	Axle / Shaft Assembly <b>NOTE 1</b>
	8-71-05007	AR	Replacement Shoe (usage 2 per brake assy)
	56418581	AR	Replacement Spring (usage 2 per brake assy)
13	56003162	8	Scr, Hex 1/2-20 x 2.00 <b>NOTE 2</b>
13	56003958	8	Scr-Hex 1/2-20 X 2.25 <b>NOTE 3</b>
14	56507045	2	Front Wheel Assembly ( <b>items 1-8, 10-12</b> )

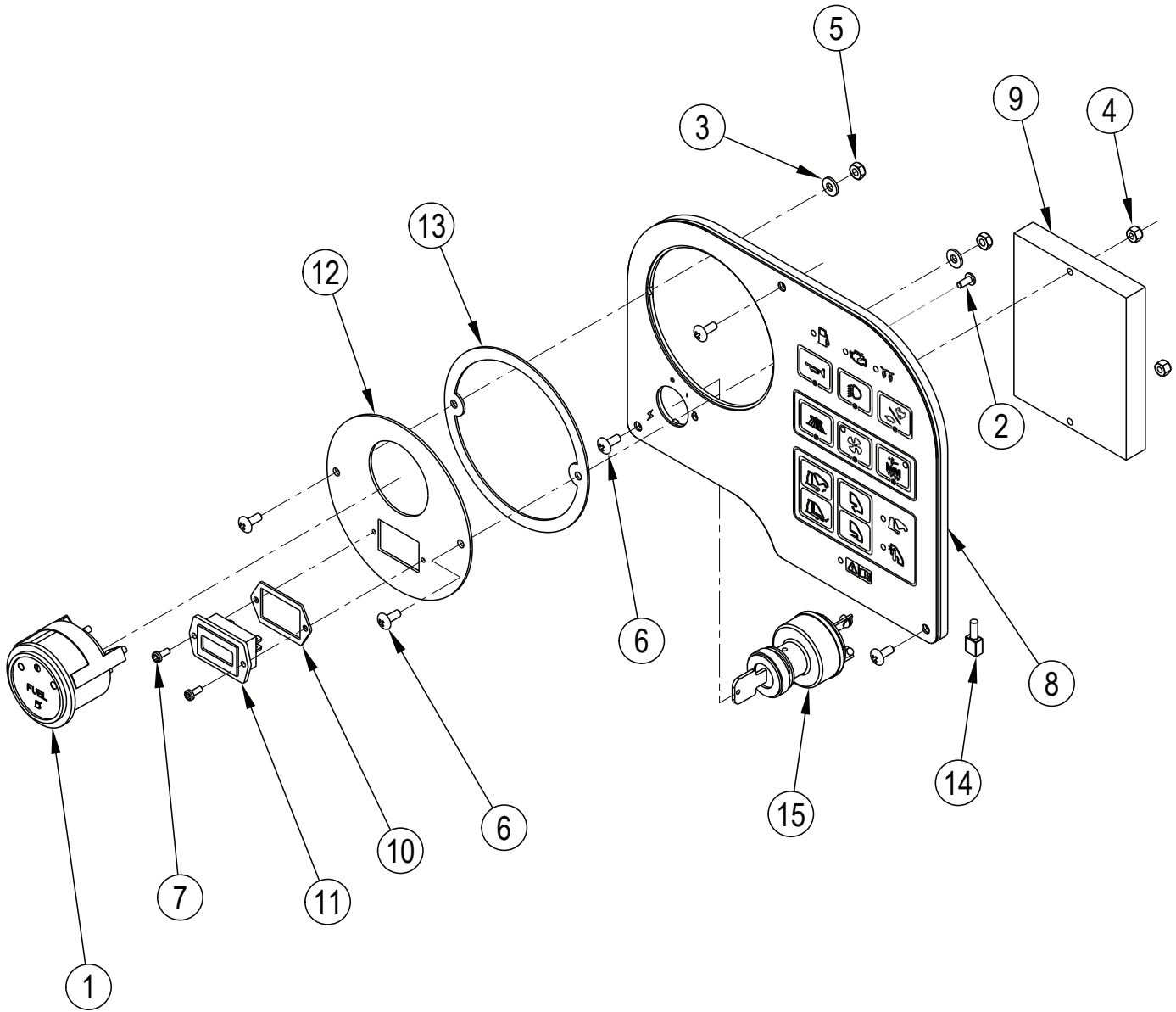
[ ] = Not Shown

**NOTE 1:** These quantities reflect one Front Wheel Assembly only, there are two Front Wheel Assemblies on the machine.

**NOTE 2:** These items are only used on machines that do not have standoffs welded onto the chassis for mounting the wheel assemblies.

**NOTE 3:** 56003958 Screws are only used on machines that do have standoffs welded onto the chassis for mounting the wheel assemblies.

### GAUGE PANEL ASSY

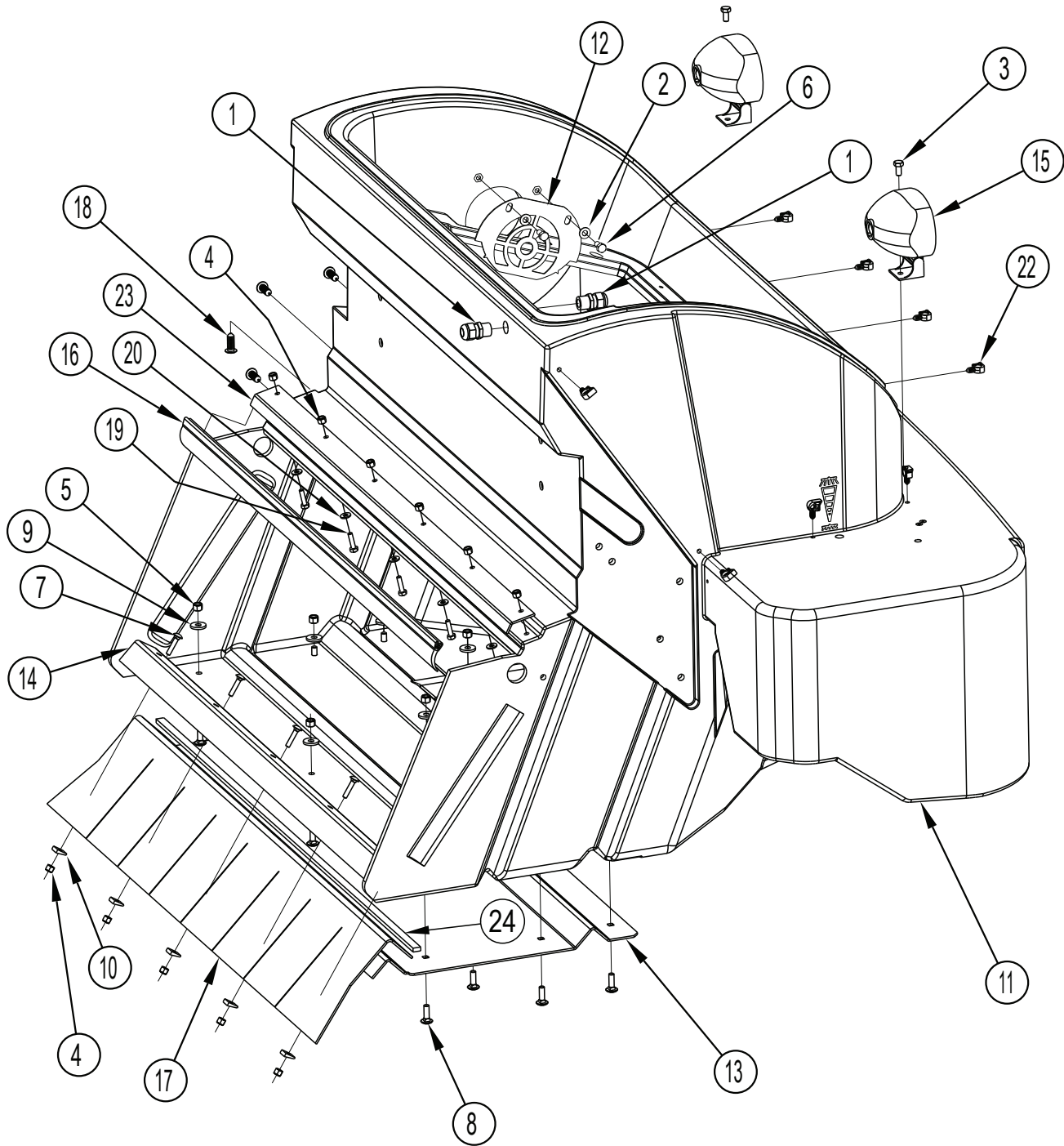


## GAUGE PANEL ASSY

Item	Ref. No.	Qty	Description
	56107642	1	Gauge Panel Assy - Diesel Model (items 1-14, 16)
	56107641	1	Gauge Panel Assy - LPG Model (items 2-13, 15)
	56107640	1	Gauge Panel Assy - Petrol Model (items 1-16)
1	8-48-05032	1	Gauge, Fuel (used on petrol and diesel models only)
2	56001818	1	Scr-Pan Phil 8-32 X .38
3	56009205	2	Wsh-Flt SS .219 x .500 x .047/.062
4	56002808	2	Nut, Hex Nyl Loc 8-32
5	56002849	2	Nut, Hex Nyl Loc-Thin SS 10-24
6	56003902	5	Scr-Truss Phil Ss Blk10-24x.50
7	56009013	2	Scr, Pan Phil Thd Form-Blk 6-32 X .38
8	56107601	1	Panel LPG Assy (used on LPG and petrol models)
	56107603	1	Panel Diesel Assy (used on diesel models only)
9	56107624	1	Control Box
10	56392845	1	Gasket
11	56393718	1	Hourmeter
12	56507381	1	Cover Plate - Petrol Gauge (used on petrol and diesel models)
	56507382	1	Cover Plate - LPG Gauge (used on LPG models only)
13	56507383	1	Gasket, Cover Plate
14	8-11-00015	1	Connector
15	56418685	1	Switch, Starter (LPG and petrol models)
[ ]	56419123	A/R	Key (for 56418685)
	56497754	1	Switch, Starter (diesel models)
[ ]	56508655	A/R	Key (for 56497754)
[16]	8-40-05030	1	Light-Instrument

[ ] = Not Shown

### HOPPER SYSTEM-1

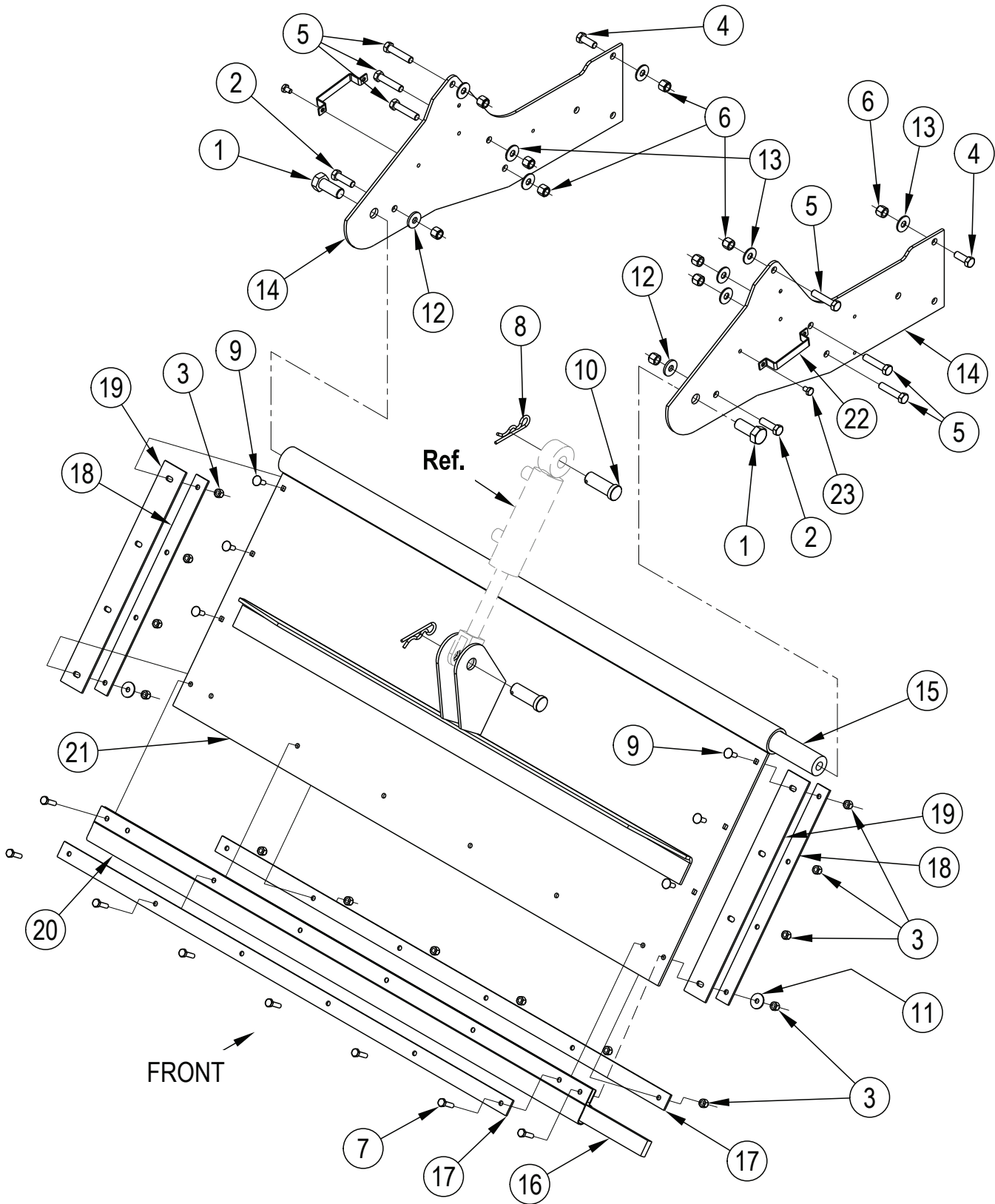


## HOPPER SYSTEM-1

Item	Ref. No.	Qty	Description
1	56323135	2	Strain Relief
2	56001939	2	Wsh, Flt SAE 5/16
3	56002035	2	Scr, Hex 5/16-18 x .62
4	56002491	11	Nut, Hex Nyl Loc SS 1/4-20
5	56002856	10	Nut, Hex Nyl Loc SS 5/16-18
6	56002929	2	Scr, Hex Hd Loc 5/16-18 x .62
7	56003714	5	Scr, Carriage SS 1/4-20 x 1.25
8	56003720	10	Scr, Carriage SS 5/16-18 x 1.00
9	56009122	10	Wsh, Flt .344 x .938 x .125
10	56009345	5	Wsh, Beveled 1/4
11	56507087	1	Hopper
12	56507159	1	Screen, Vac Fan
13	56507162	1	Skid Plate, Hopper
14	56507187	1	Clamp, Hopper Flap
15	56507223	2	Head Light Assembly
[ ]	56507224	A/R	Bulb, Light ( <b>for 56507223</b> )
16	56508325	1	Seal, Door Hinge
17	56508083	1	Flap, Hopper
18	56508211	4	Clip, Panel
19	56002883	6	Scr- Hex SS 1/4-20 x 1.00
20	56002859	6	Wsh-Flt SAE SS 1/4
22	56507793	8	Clip, Conduit
23	56107729	1	Clamp Door Seal
24	56508728	1	Seal, Hopper Skid Plate

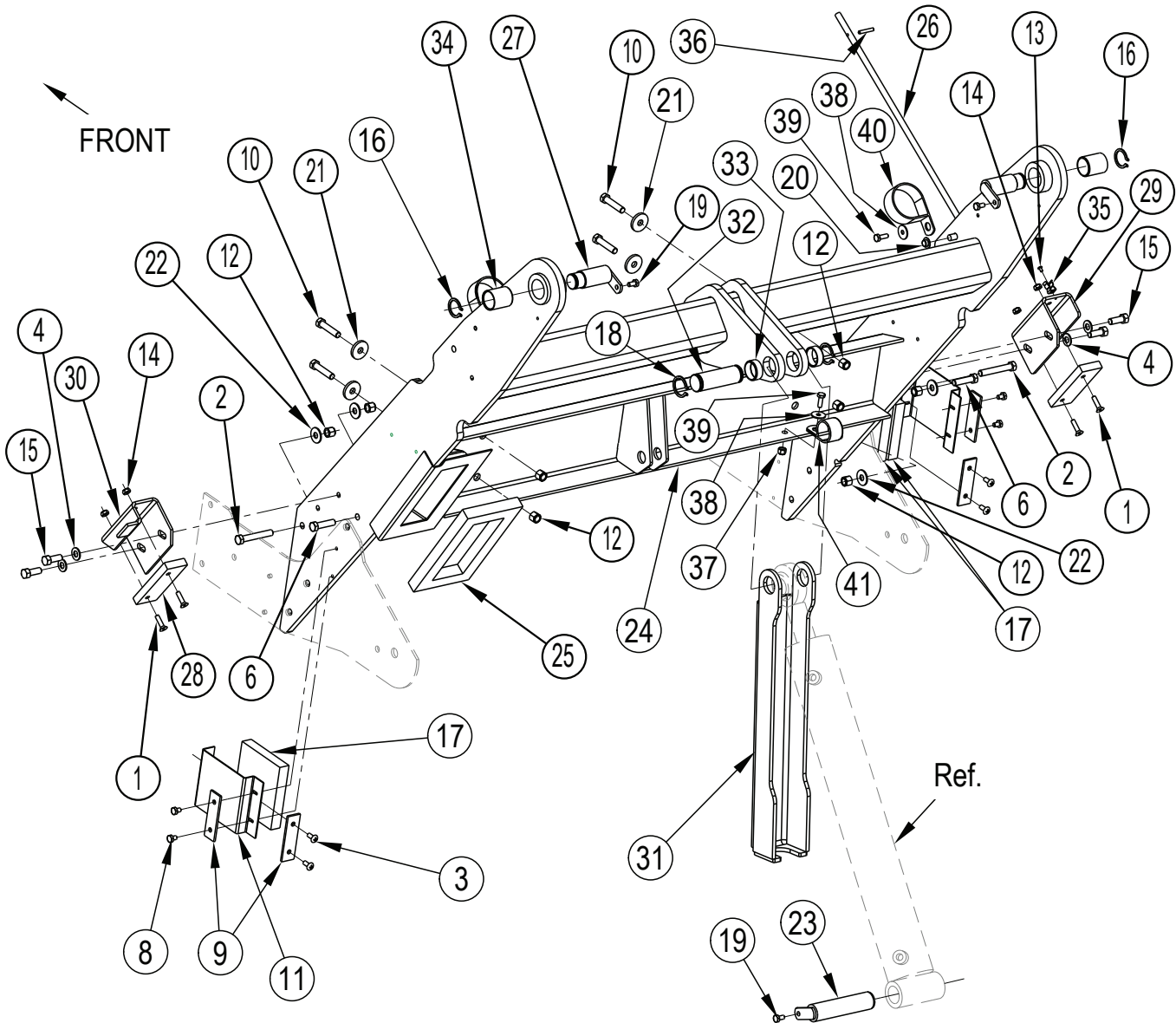
[ ] = Not Shown

### HOPPER SYSTEM-2



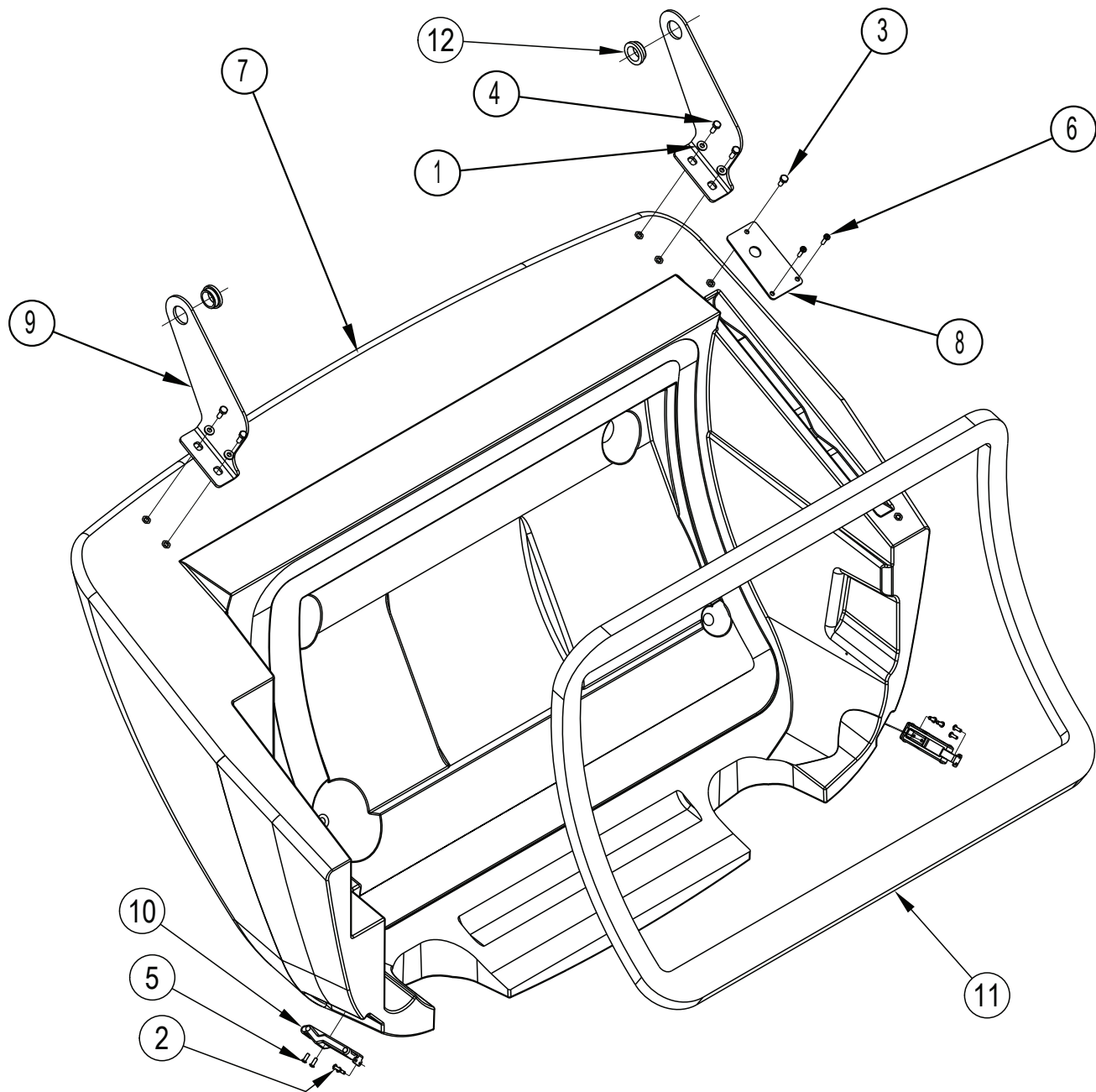
## HOPPER SYSTEM-2

Item	Ref. No.	Qty	Description
1	56001843	2	Scr, Hex 5/8-11 x 1.50
2	56001858	2	Scr, Hex 3/8-16 x 1.25
3	56002491	14	Nut, Hex Nyl Loc SS 1/4-20
4	56002663	2	Scr, Hex 3/8-16 x 1.00
5	56002684	6	Scr, Hex 3/8-16 x 1.75
6	56002769	10	Nut, Hex Nyl Loc 3/8-16
7	56002883	8	Scr, Hex Ss 1/4-20 x 1.00
8	56003152	2	Pin, Cot Hair SS .148 x Dia .62/1.00
9	56003715	6	Scr, Carriage SS 1/4-20 x .75
10	56003732	2	Pin, Clevis .750 x 2.00
11	56003923	2	Wsh-Flt SS .266 X .906 X .060
12	56009107	2	Wsh, Flt SS .378 x 1.000 x .120
13	56009213	8	Wsh, Flt .392 x 1.00 x .075
14	56507164	2	Bracket, Side Broom Arm
15	56507168	1	Pivot, Hopper Door
16	56507169	1	Seal, Hopper Door Bottom
17	56507176	2	Clamp, Hopper Door Bottom
18	56507177	2	Clamp, Hopper Door Side
19	56507178	2	Seal, Hopper Door Side
20	56507179	1	Seal, Hopper Door Bottom
21	56107728	1	Hopper Door Weldt
22	2-00-04603	2	P-Clamp
23	56002933	2	Scr, Hex Hd Loc 1/4-20 x .38



### HOPPER SYSTEM-3

Item	Ref. No.	Qty	Description	Item	Ref. No.	Qty	Description
1	56002457	4	Scr, Flt Soc 1/4-20 x 1.00	23	56304683	1	Pin Hinge Weldt
2	56001873	2	Scr, Hex 3/8-16 x 2.50	24	56507100	1	Arm, Hopper Lift Weldment
3	56009120	4	Scr, Pan Phil SS Type B 1/4-14 x .62	25	56507189	1	Seal, Air Exhaust
4	56002063	4	Wsh, Flt SAE 3/8	26	56507197	1	Rod, Cover
6	56002095	2	Scr, Hex 3/8-16 x 1.50	27	56507204	2	Pin Hopper Hinge Wldt
8	56009019	4	Scr, Hex Thd Form 1/4-20 x .38	28	56507289	2	Bumper, Hopper Lift
9	56508248	4	Strap, Front Tire Rear Flap	29	56507334	1	Stop Hopper, Rh
10	56002684	4	Scr, Hex 3/8-16 x 1.75	30	56507335	1	Stop Hopper, Lh
11	56508389	2	Flap Hopper Side	31	56507477	1	Prop Rod
12	56002769	8	Nut, Hex Nyl Loc 3/8-16	32	56507885	1	Pin, Cylinder
13	56002811	1	Scr-Pan Phil 6-32 x .25	33	56507939	2	Bearing, Sleeve 1.125 x 1.281 x .500
14	56002840	4	Nut, Hex Nyl Loc-Thin 1/4-20	34	56507940	2	Bearing, Sleeve 1.125 x 1.281 x 1.500
15	56002947	4	Scr, Hex Hd Loc 3/8-16 x 1.00	35	56508234	1	Clip, 3/8
16	56003258	2	Ring, Ret Ext 1.00 Shaft	36	56003137	1	Pin-Spr .19 x 1.12
17	56508390	3	Foam Hopper Side	37	56002708	1	Nut, Hex Nyl Loc 1/4-20
18	56003750	2	Ring, Ret Ext 1.125 Shaft	38	56009002	3	Wsh, Flt .266 x .906 x .060
19	56009033	3	Scr, Hex Thd Form 1/4-20 x .50	39	56009018	3	Scr, Hex Thd Form 1/4-20 x .75
20	56009123	1	Nut, Push Cap 3/8	40	56315257	2	Clamp, P
21	56009195	4	Wsh, Flt .406 x 1.25 x .164	41	56409463	1	Clamp, 1.25 Hose Support
22	56009213	4	Wsh, Flt .392 x 1.00 x .075				

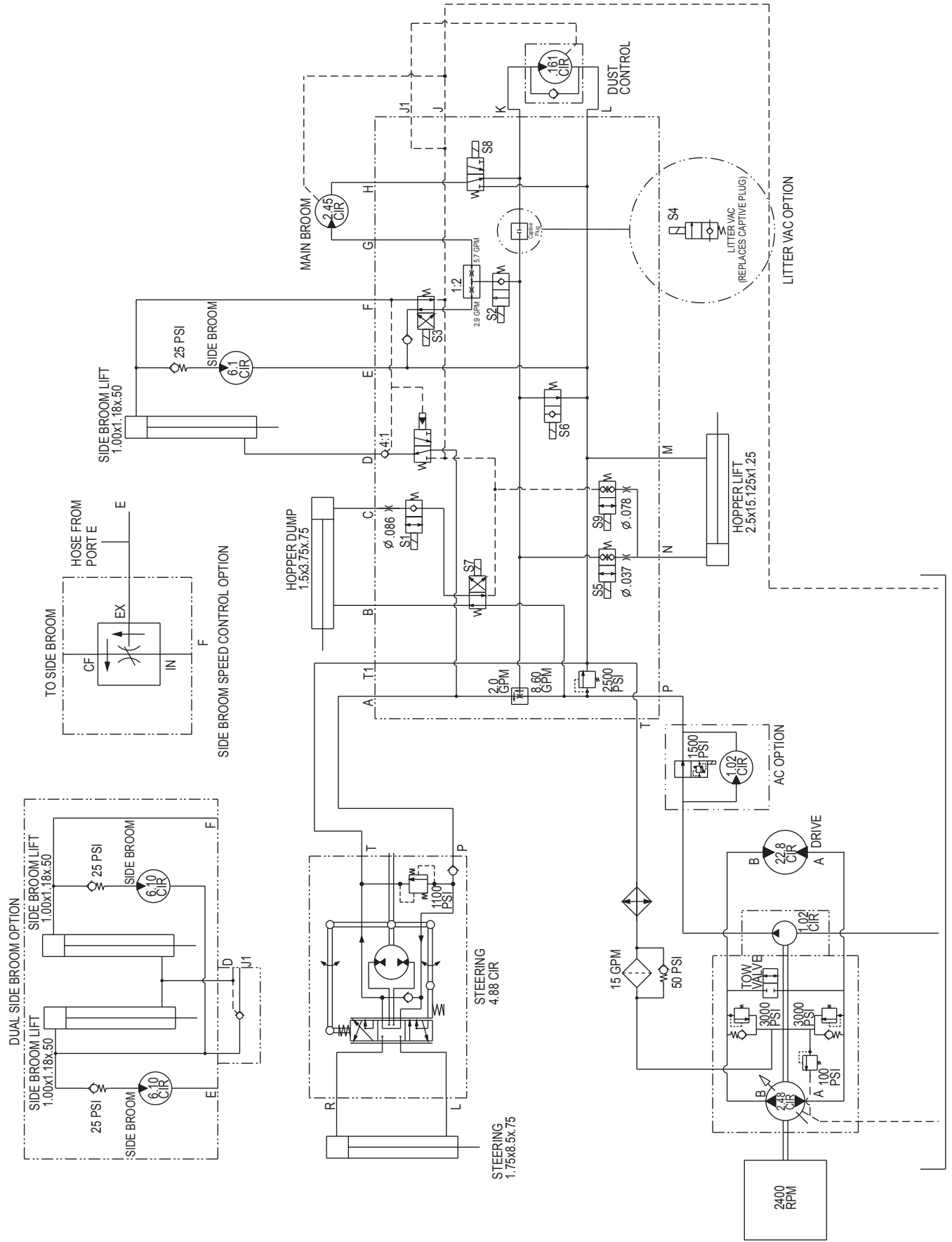


### HOPPER SYSTEM-4

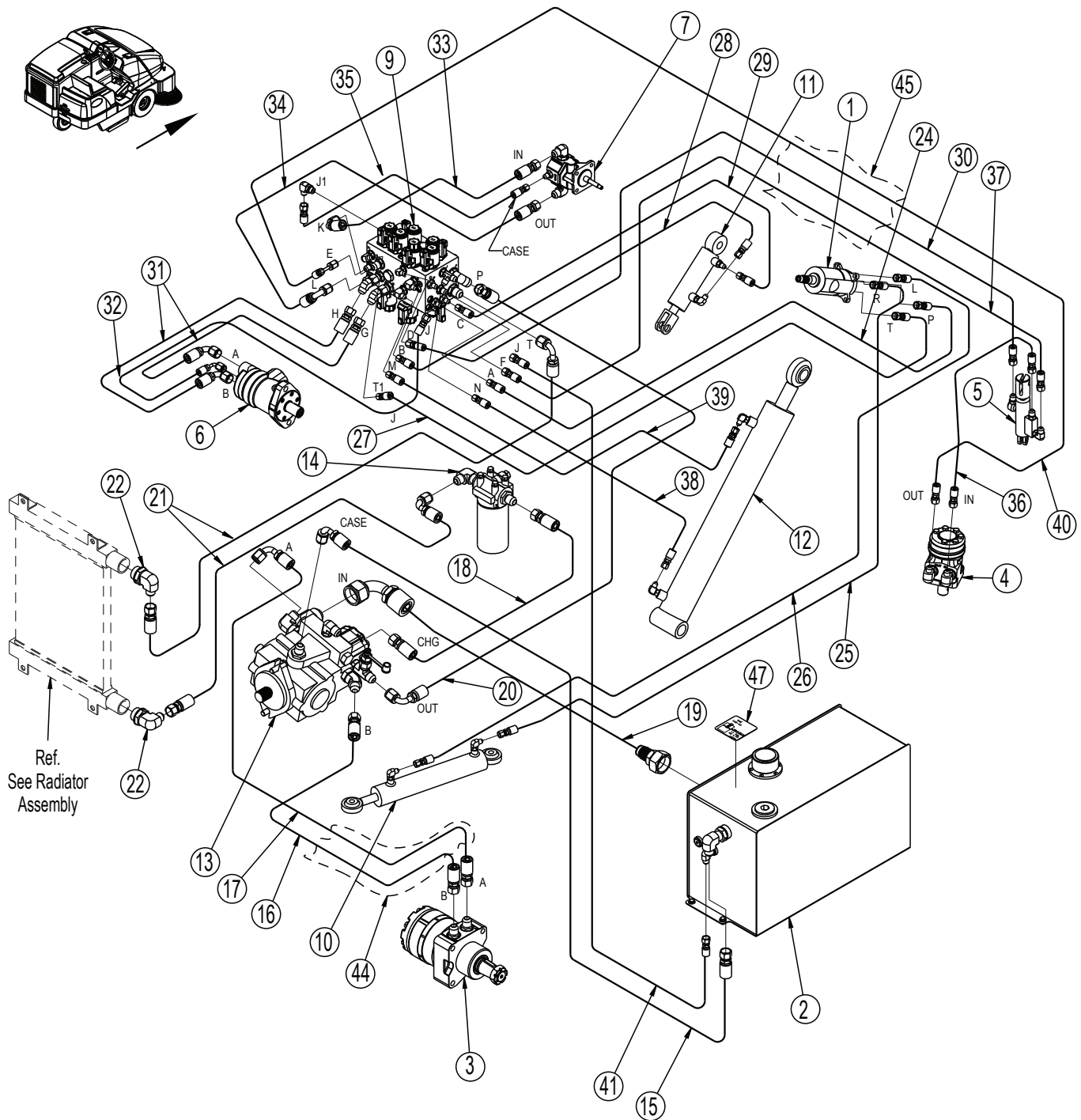
Item	Ref. No.	Qty	Description	Item	Ref. No.	Qty	Description
1	56002098	4	Wsh, Flt SAE 1/4	7	56507086	1	Cover, Hopper
2	56002876	4	Scr, Pan Phil SS 8-32 x .50	8	56508226	1	Plate, Hopper Prop Rod
3	56002922	1	Scr, Hex Hd Loc 1/4-20 x .62	9	56507185	2	Bracket, Hopper Cover, LH
4	56002948	4	Scr, Hex Hd Loc 1/4-20 x .75	10	56507188	2	Latch, Hopper Cover
5	56003093	4	Scr, Pan Phil Plastite 8-16 x .50	11	56507219	1	Seal, Hopper Cover
6	56009005	2	Scr, Pan Phil SS Type AB 10-16 x .75	12	56507767	2	Bearing, FL 1 ID x 1-1/4 OD x 1/2 L



# HYDRAULIC SCHEMATIC



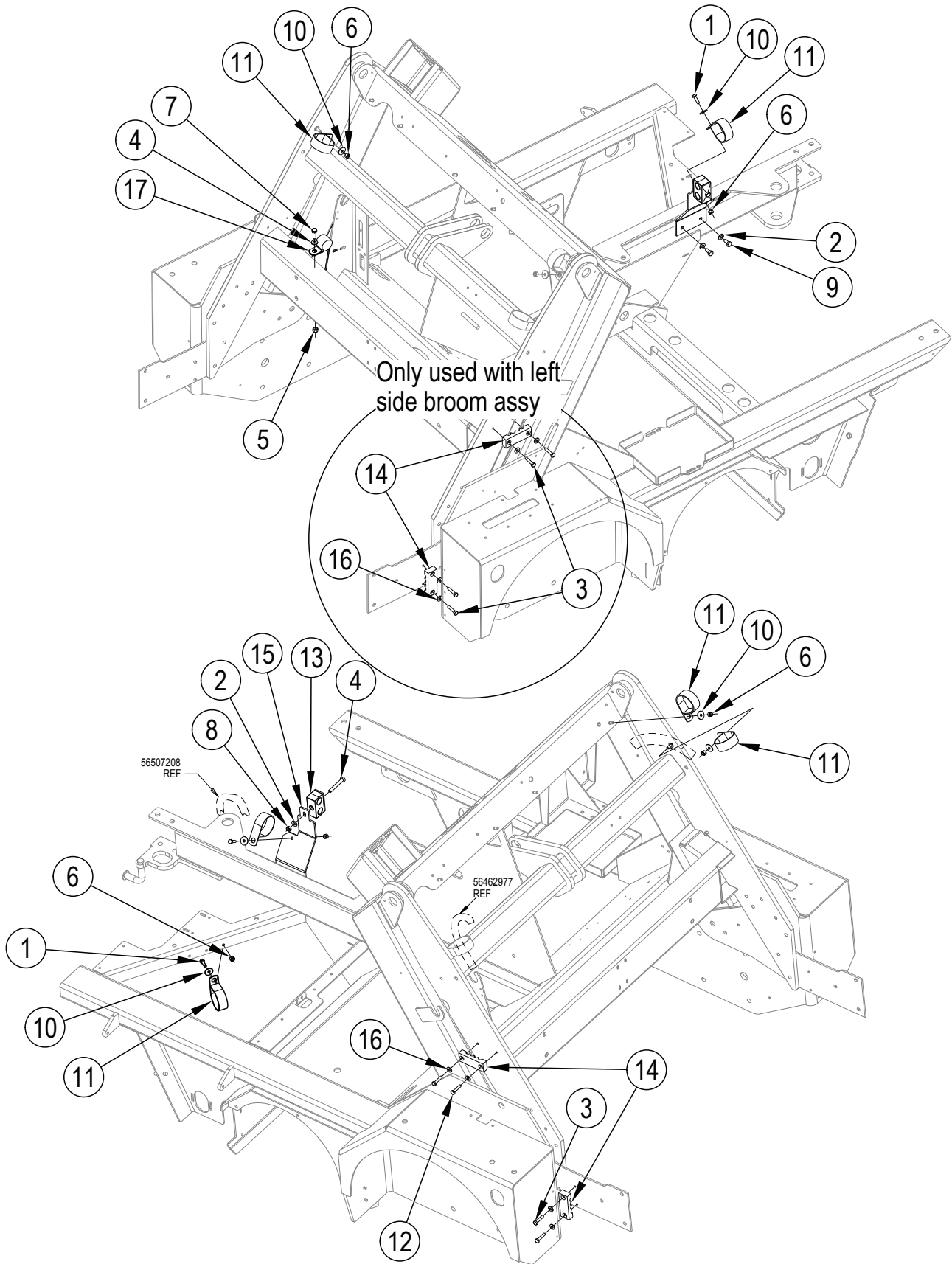
# HYDRAULIC SYSTEM



## HYDRAULIC SYSTEM

Item	Ref. No.	Qty	Description
1	8-60-05034	1	Steering Control Unit
	7-70-00127	1	Seal Kit for 8-60-05034
2	56507072	1	Reservoir Assembly <b>See Hydraulic Reservoir Assembly</b>
3	56507603	1	Drive Motor Assembly <b>See Hydraulic Motor Assemblies</b>
4	56507604	1	Side Broom Motor Assembly <b>See Hydraulic Motor Assemblies</b>
5	56507605	1	Side Broom Cylinder Assy, Right <b>See Hydraulic Cylinder Assemblies</b>
6	56507066	1	Main Broom Motor <b>See Hydraulic Motor Assemblies</b>
7	56507067	1	Dust Control Motor <b>See Hydraulic Motor Assemblies</b>
9	56507609	1	Manifold Assembly <b>See Hydraulic Valve Block Assembly</b>
10	56507610	1	Steering Cylinder Assembly <b>See Hydraulic Cylinder Assemblies</b>
11	56507611	1	Hopper Door Cylinder Assembly <b>See Hydraulic Cylinder Assemblies</b>
12	56507612	1	Hopper Lift Cylinder Assembly <b>See Hydraulic Cylinder Assemblies</b>
13	56507613	1	Pump Assembly <b>See Hydraulic Pump Assembly</b>
14	56507614	1	Filter Assembly
15	56507516	1	Hose, Hydraulic (Hose ID# 15)
16	56507517	1	Hose, Hydraulic (Hose ID# 16)
17	56507518	1	Hose, Hydraulic (Hose ID# 17)
18	56507519	1	Hose, Hydraulic (Hose ID# 18)
19	56507520	1	Hose, Hydraulic (Hose ID# 19)
20	56507521	1	Hose, Hydraulic (Hose ID# 20)
21	56507522	2	Hose Hyd, #10 SAE37,2x7/8-14 Str x str x 72 Lg (Hose ID# 21)
22	56900480	2	Elbow, 90 O-Ring
24	56507525	1	Hose Hyd, #4 SAE37, 2 x 7/16-20 Str x 37 Lg (Hose ID# 24)
25	56507526	1	Hose Hyd, #4 SAE37, Str 7/16-20 x 9/16-18 x 63 Lg (Hose ID# 25)
26	56507527	1	Hose Hyd, #4 SAE37 2 x str, 7/16-20 x 9/16-18 x 52 Lg (Hose ID# 26)
27	56507528	1	Hose Hyd, #4 2 x str, 7/16-20 x 9/16-18 x 43 Lg (Hose ID# 27)
28	56507529	1	Hose Hyd, #4 SAE37,2 x str, 7/16-20 x 7/16-20 x 89.50 Lg (Hose ID# 28)
29	56507530	1	Hose Hyd, #4 SAE37 7/16-20, Str x str x 79.50 Lg (Hose ID# 29)
30	56507531	1	Hose Hyd, #4 SAE37,2 x str, 9/16-18 x 7/16-20 x 102.50 Lg (Hose ID# 30)
31	56507532	2	Hose Hyd, #8 SAE37, 7/8-14 90 x 3/4-16 Str x 48 Lg (Hose ID# 31)
32	56507788	1	Hose, Hydraulic (Hose ID# 11)
33	56507534	1	Hose Hyd, #8 SAE37 3/4-16, 90 x Str x 67 Lg (Hose ID# 33)
34	56507535	1	Hose Hyd, #8 SAE37, 3/4-16, 90 x Str x 69 Lg (Hose ID# 34)
35	56507536	1	Hose Hyd, #4 SAE37,2 x Str, 9/16-18 x 7/16-20 x 71.50 Lg (Hose ID# 35)
36	56507537	1	Hose Hyd, #4, SAE37, 2 x Str 9/16-18 x 21.50 Lg (Hose ID# 36)
37	56507538	1	Hose Hyd, #4, SAE37,2 x Str, 9/16-18 x 102.50 Lg (Hose ID# 37)
38	56507539	1	Hose Hyd, #4, SAE37, 2 x Str 7-16-20 x 27.50 Lg (Hose ID# 38)
39	56507540	1	Hose Hyd, #4, SAE37, 2 x Str 7/16-20 x 15.50 Lg (Hose ID# 39)
40	56507718	1	Hose Hyd, #4, SAE37, 90 x Str, 9/16-18 x 108.50 Lg (Hose ID# 40)
41	56507719	1	Hose Hyd, #4, SAE37, 2 x str, 9/16-18 x 75.50 Lg (Hose ID# 41)
42		A/R	Oil, Multi-Vis SAE 10w-30 (11 gallons) <b>Not Shown</b>
44	56508814	1	Sleeve, Nylon <b>Not Shown</b>
45	56462977	1	Sleeve, 24 In. Nylon <b>Not Shown</b>
46	56409463	1	P-Clamp <b>Not Shown</b>
47	56016259	1	Decal, Oil Fill

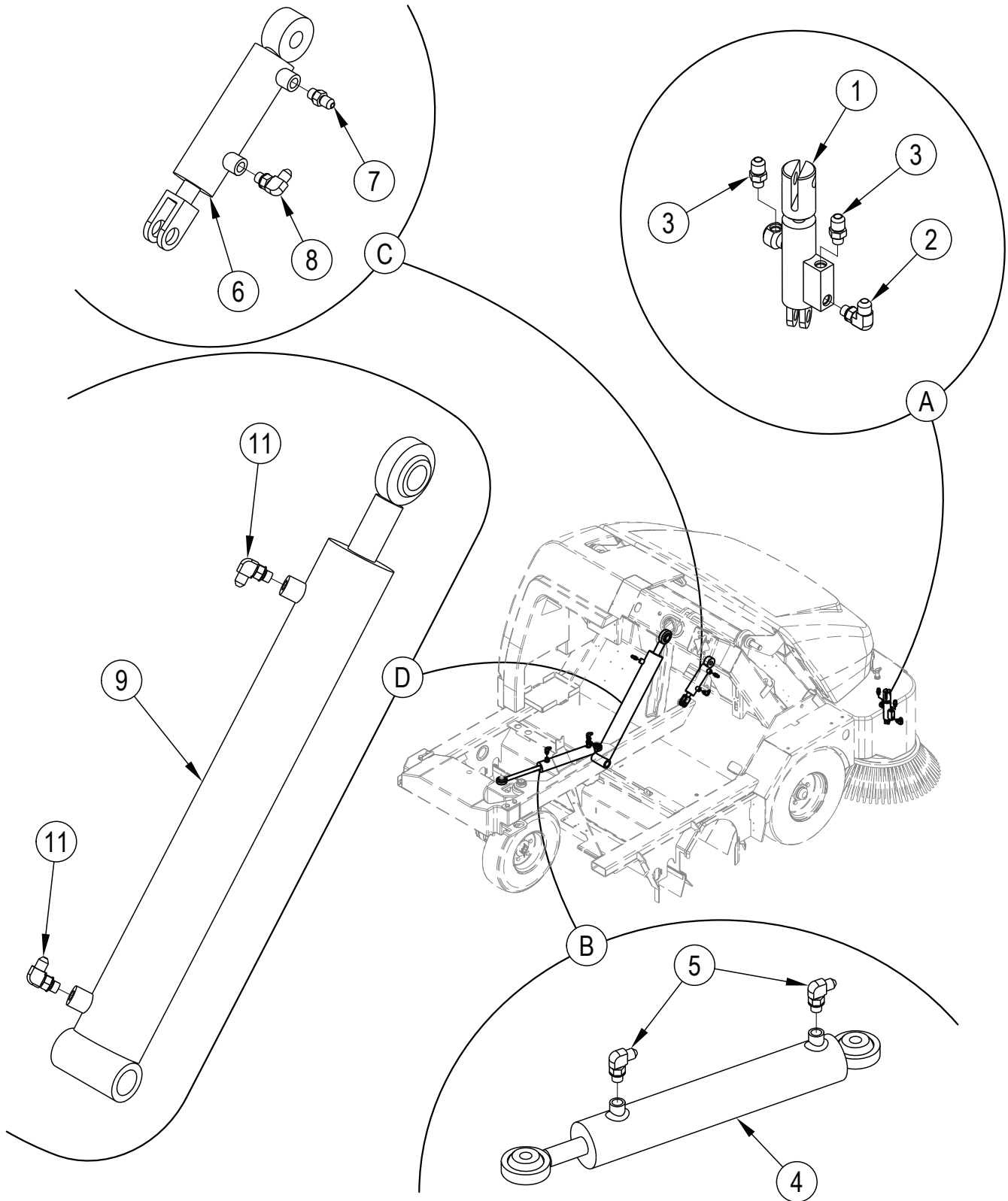
HYDRAULIC SYSTEM - MOUNTING



## HYDRAULIC SYSTEM - MOUNTING

Item	Ref. No.	Qty	Description
1	56001821	2	Scr, Hex 1/4-20 x .88
2	56001939	4	Wsh, Flt SAE 5/16
3	56001878	4	Scr, Hex 1/4-20 x 1.25 (qty of 8 if equipped with left side broom)
4	56002420	1	Scr, Hex 5/16-18 x 2.25
5	56002701	1	Nut, Hex Nyl Loc 5/16-18
6	56002708	5	Nut, Hex Nyl Loc 1/4-20
7	56002221	1	Scr, Hex 5/16-18 x 1.00
8	56002826	1	Nut, Hex Nyl Loc-Thin 5/16-18
9	56002929	2	Scr, Hex Hd Loc 5/16-18 x .62
10	56009002	6	Wsh, Flt .266 x .906 x .060
11	56315257	5	Clamp, P
12	56002242	2	Scr, Soc Hd 1/4-20 x 1.50
13	56507218	1	Hose Clamp, Hydraulic
14	56507922	1	Hose Clamp, Hydraulic (qty of 2 if equipped with left side broom)
15	56508327	1	Bracket, Hose Clamp
16	56002098	4	Wsh, Flt SAE 1/4 (qty of 8 if equipped with left side broom)
17	56409463	1	Clamp, 1.25 Hose Support
18	56002093	1	Scr, Hex 1/4-20 x 1.00

### HYDRAULIC CYLINDER ASSEMBLIES

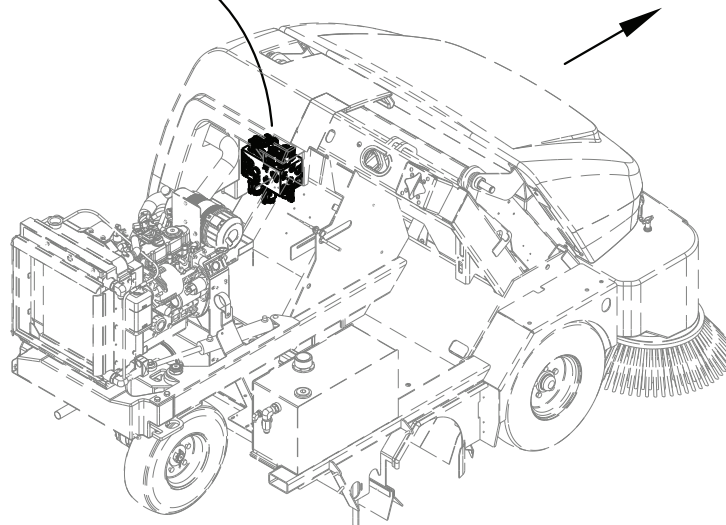
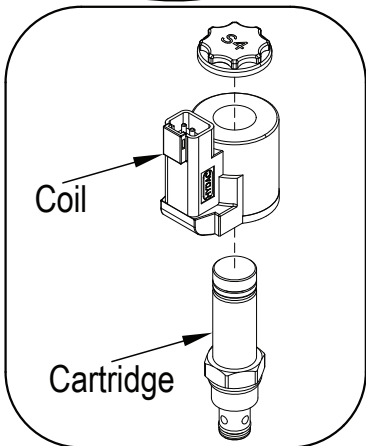
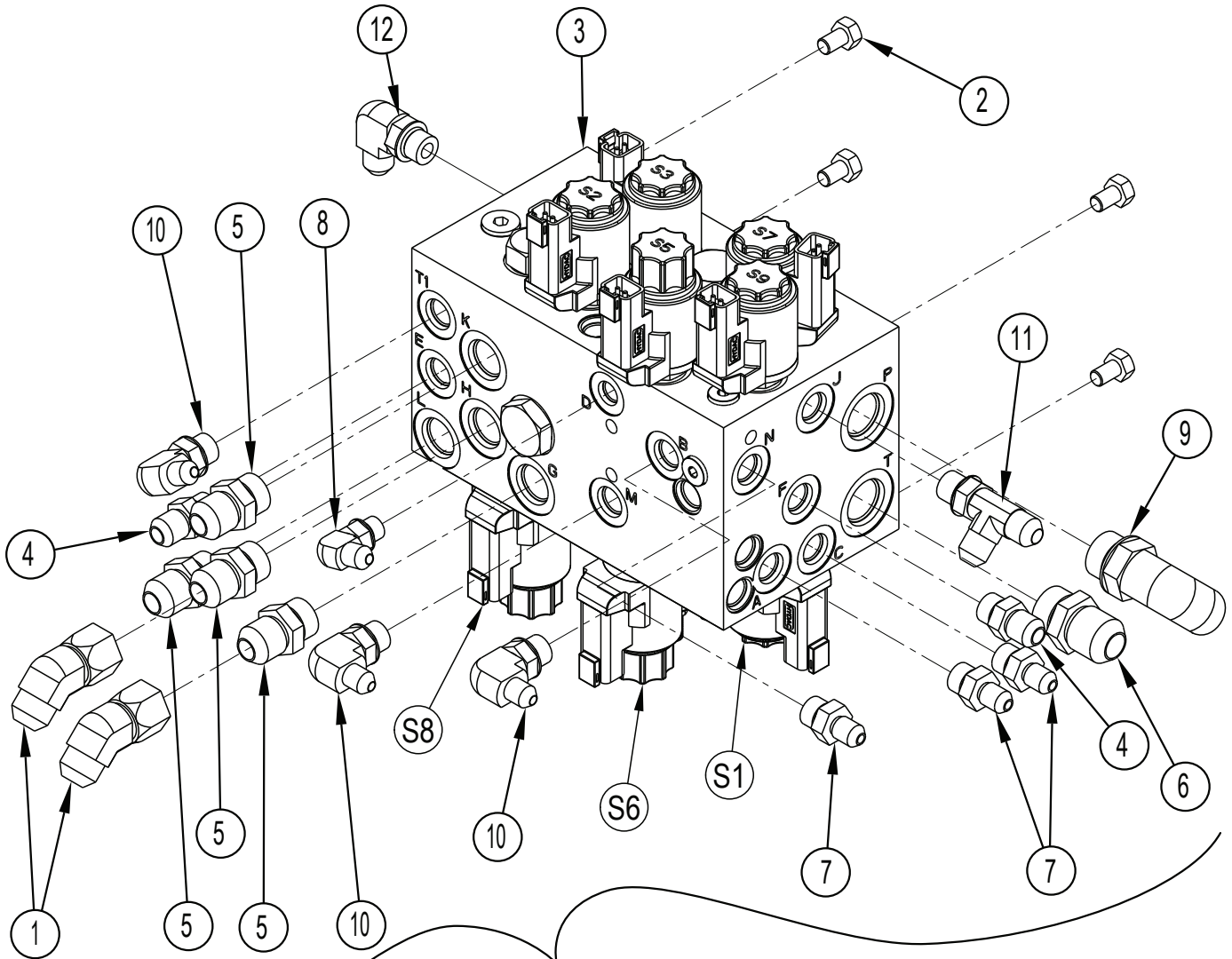


## HYDRAULIC CYLINDER ASSEMBLIES

Item	Ref. No.	Qty	Description
<b>A</b>	<b>56507605</b>	<b>1</b>	<b>Side Broom Cylinder Assy, Right (items 1-3)</b>
1	56507065	1	Cylinder, Side Broom, Right
[ ]	56109100	1	Seal Kit
2	56900286	1	Elbow, 90 O-Ring
3	56900370	2	Connector, O-Ring
<b>B</b>	<b>56507610</b>	<b>1</b>	<b>Steering Cylinder Assembly (items 4-5)</b>
4	56507095	1	Steering Cylinder
[ ]	56380809	1	Seal Kit
5	56900101	2	Elbow, 90 O-Ring
<b>C</b>	<b>56507611</b>	<b>1</b>	<b>Hopper Door Cylinder Assembly (items 6-8)</b>
6	56507155	1	Cylinder, Hopper Door
7	56900001	1	Connector, O-Ring
8	56900101	1	Elbow, 90 O-Ring
<b>D</b>	<b>56507612</b>	<b>1</b>	<b>Hopper Lift Cylinder Assembly (items 9-11)</b>
9	56507241	1	Cylinder Hyd, Hopper Lift
[ ]	56380813	1	Seal Kit
11	56900101	1	Elbow, 90 O-Ring

[ ] = Not Shown

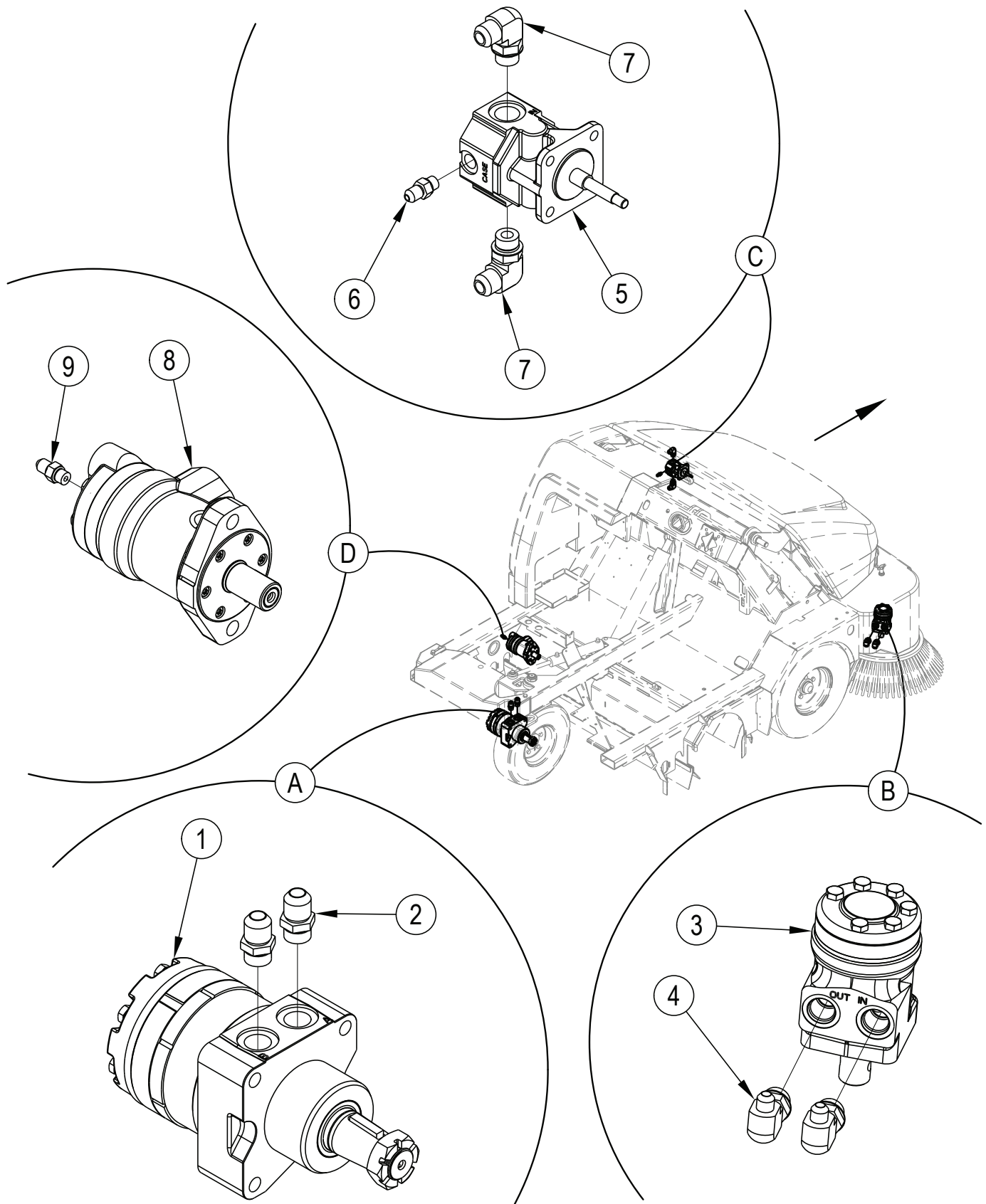
### HYDRAULIC MANIFOLD ASSY



## HYDRAULIC MANIFOLD ASSY

Item	Ref. No.	Qty	Description
	<b>56507609</b>	<b>1</b>	<b>Manifold Assembly (items 1-10)</b>
1	56900324	2	Elbow, 45 W/Nut
2	56002923	4	Scr, Hex Hd Loc 5/16-18 x .50
3	56507073	1	Hydraulic Manifold
	56305368	3	Cartridge for S1, S2 (S4 is part of litter vac option)
	56305369	2	Cartridge for S3, S7
	56305367	2	Cartridge for S5, S9
	56305531	1	Cartridge for S6
	56507686	1	Cartridge for S8
	56507687	1	Cartridge for Flow Control, 2.0 GPM
	56507688	1	Cartridge for Flow Divider
	56508223	1	Seal Kit for 56507688
	56419397	1	Cartridge for Relief Valve
	56507690	1	Cartridge for Piloted 3/2 Directional Valve
	56305370	1	Cartridge for Check Valve
	56507692	1	Cartridge for PO Check Valve
	56507983	1	Orifice, .086
	56508184	1	Orifice, .078
	56507693	1	Orifice, .038
	56507694	8	Solenoid Coil with Connector For S1-S7, S9
	56507695	1	Solenoid Coil with Connector For S8
	56305354	8	Seal Kit for S1, S2, S4, S5, S6, S9, Relief, Check Valve
	56305355	2	Seal Kit for S3, S7
	56507702	1	Seal Kit for Po Check Valve
	56508840	1	Cavity Plug
	56507699	1	Seal Kit for S8
	56507700	1	Seal Kit for Piloted 3/2 Directional Valve
	56507701	1	Seal Kit for Flow Control, 2.0 GPM
4	56900003	2	Connector, O-Ring
5	56900004	4	Connector, O-Ring
6	56900005	1	Connector, O-Ring
7	56900011	3	Connector, O-Ring
8	56900101	1	Elbow, 90 O-Ring
9	56900105	1	Elbow, 90 O-Ring
10	56900110	3	Elbow, 90 O-Ring
11	56900203	1	Tee, Run O-Ring
12	56900103	1	Elbow, 90 O-Ring

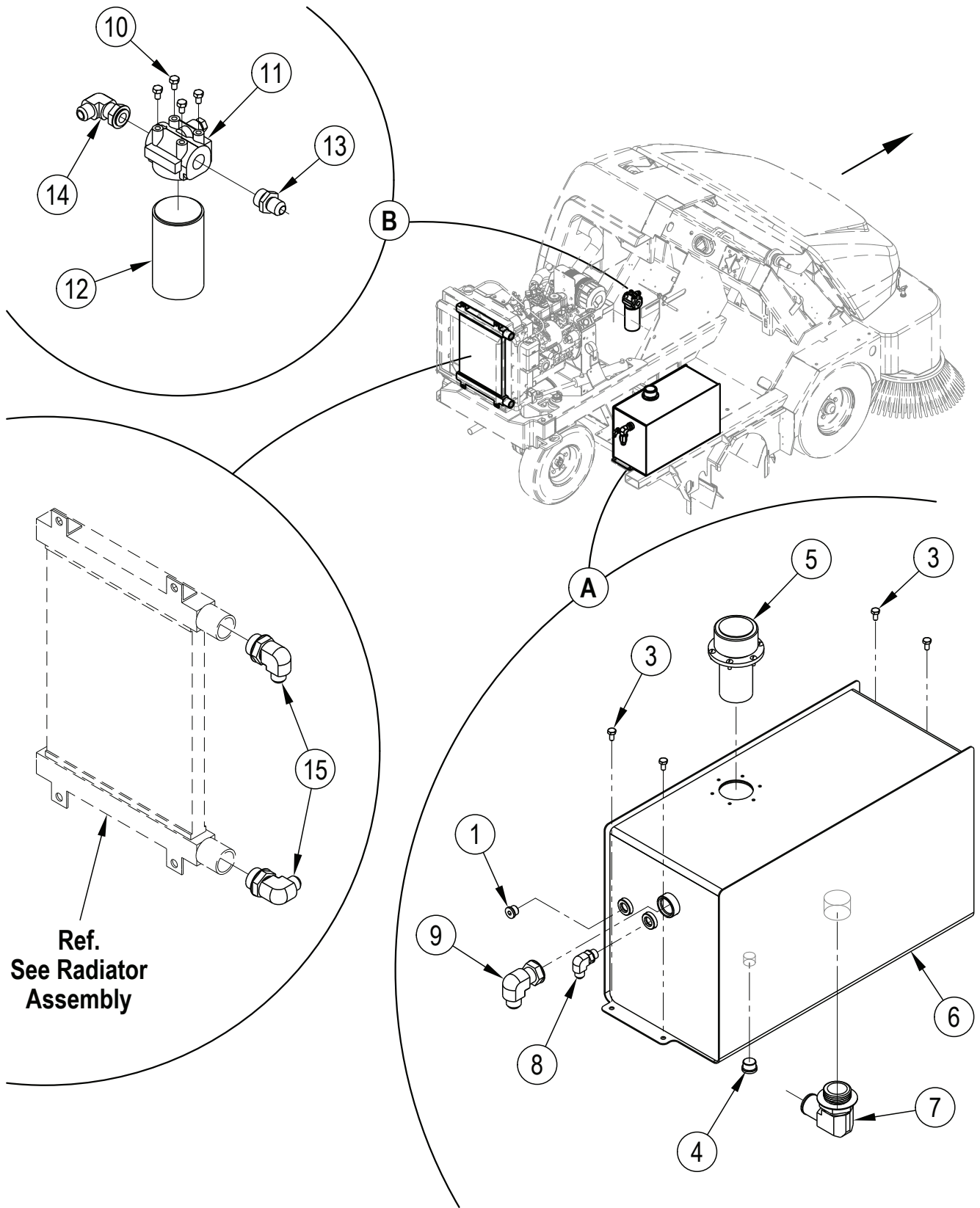
### HYDRAULIC MOTOR ASSEMBLIES



## HYDRAULIC MOTOR ASSEMBLIES

Item	Ref. No.	Qty	Description
<b>A</b>	<b>56507603</b>	<b>1</b>	<b>Drive Motor Assembly (items 1-2)</b>
1	56507063	1	Motor, Traction Drive
	56507618	1	Seal Kit <b>(for 56507063)</b>
	56462927	1	Castle Nut <b>(for 56507063)</b>
2	56109735	2	Swivel Adapter
<b>B</b>	<b>56507604</b>	<b>1</b>	<b>Side Broom Motor Assembly (items 3-4)</b>
3	56507064	1	Side Broom Motor
	56507619	1	Seal Kit <b>(for 56507064)</b>
4	56900113	2	Elbow, 90 O-Ring
<b>C</b>	<b>NA</b>	<b>1</b>	<b>Dust Control Motor Assembly (items 5-7)</b>
5	56507067	1	Hydraulic Motor – Vac Fan
	56418823	1	Seal Kit <b>(for 56507067)</b>
6	56900001	1	Connector, O-Ring
7	56900104	2	Elbow, 90 O-Ring
<b>D</b>	<b>NA</b>	<b>1</b>	<b>Main Broom Motor Assembly (items 8-9)</b>
8	56507066	1	Main Broom Motor
	56507620	1	Shaft Seal Kit <b>(for 56507066)</b>
9	56900001	1	Connector, O-Ring

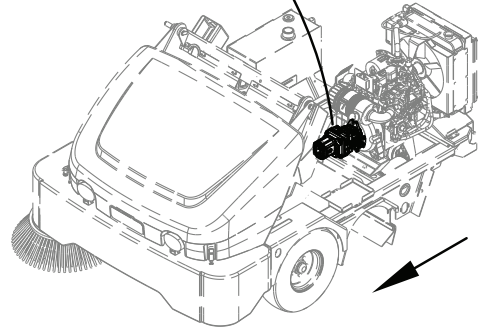
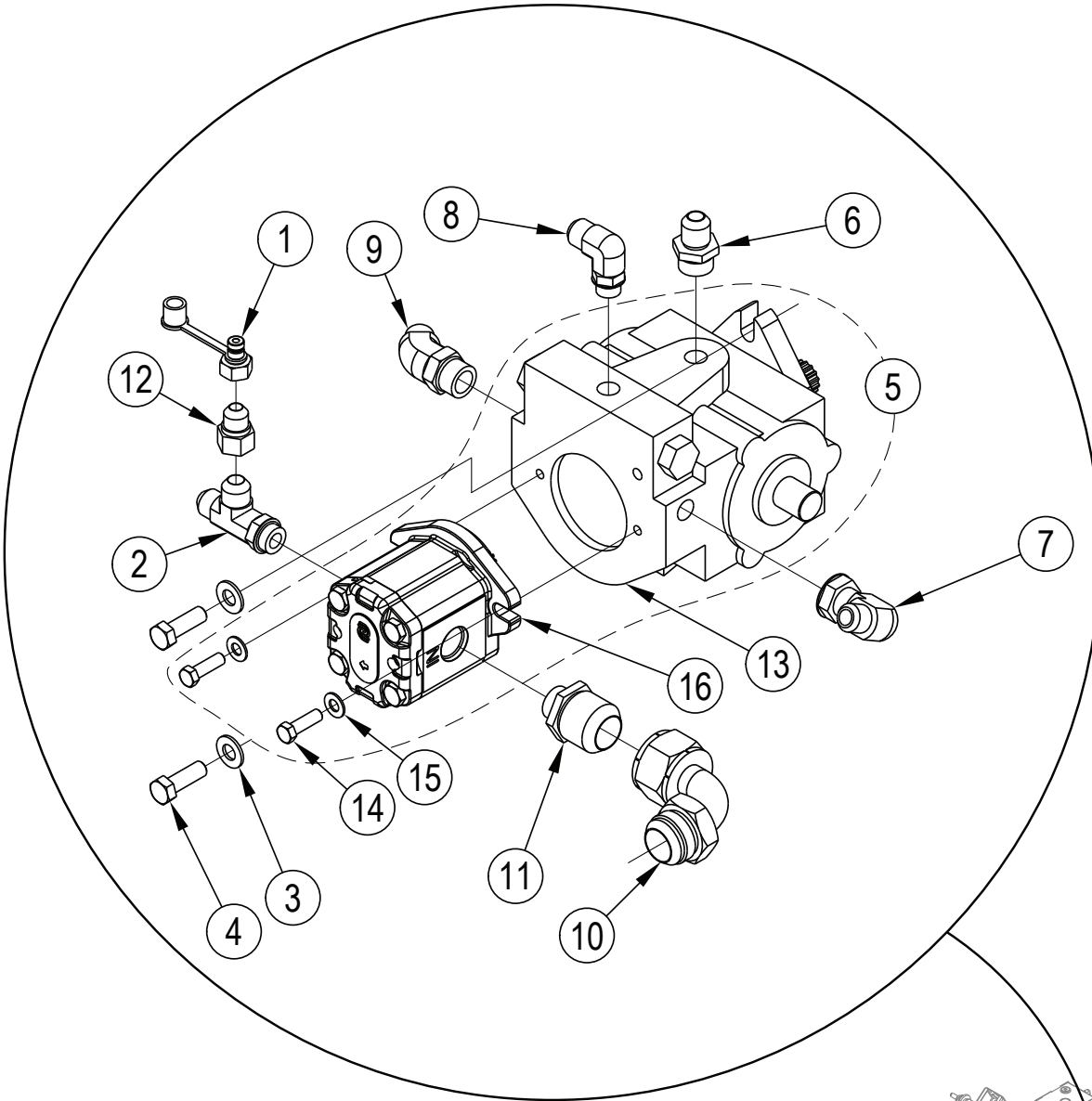
### HYDRAULIC OIL FILTER-RESERVOIR



**HYDRAULIC OIL FILTER-RESERVOIR**

<b>Item</b>	<b>Ref. No.</b>	<b>Qty</b>	<b>Description</b>
<b>A</b>	<b>56507072</b>	<b>1</b>	<b>Reservoir Assembly (items 1-9)</b>
1	56418776	1	Plug, Hex Soc O-Ring
3	56009033	4	Scr, Hex Thd Form 1/4-20 X .50
4	56463403	1	Plug, Hex Soc O-Ring
5	56479656	1	Cap, Filler
6	56507507	1	Reservoir Weldment
7	56508846	1	Elbow Barbed Hyd Fitting
8	56900103	1	Elbow, 90 O-Ring
9	56900116	1	Elbow, 90 O-Ring
<b>B</b>	<b>56507614</b>	<b>1</b>	<b>Filter Assembly (items 10-14)</b>
10	56002923	4	Scr, Hex Hd Loc 5/16-18 x .50
11	56419253	1	Head, Oil Filter
12	56419254	1	Oil Filter Cartridge
13	56900017	1	Connector, O-Ring
14	56900116	1	Elbow, 90 O-Ring
15	56900480	2	Elbow, 90 O-Ring

### HYDRAULIC PUMP ASSY

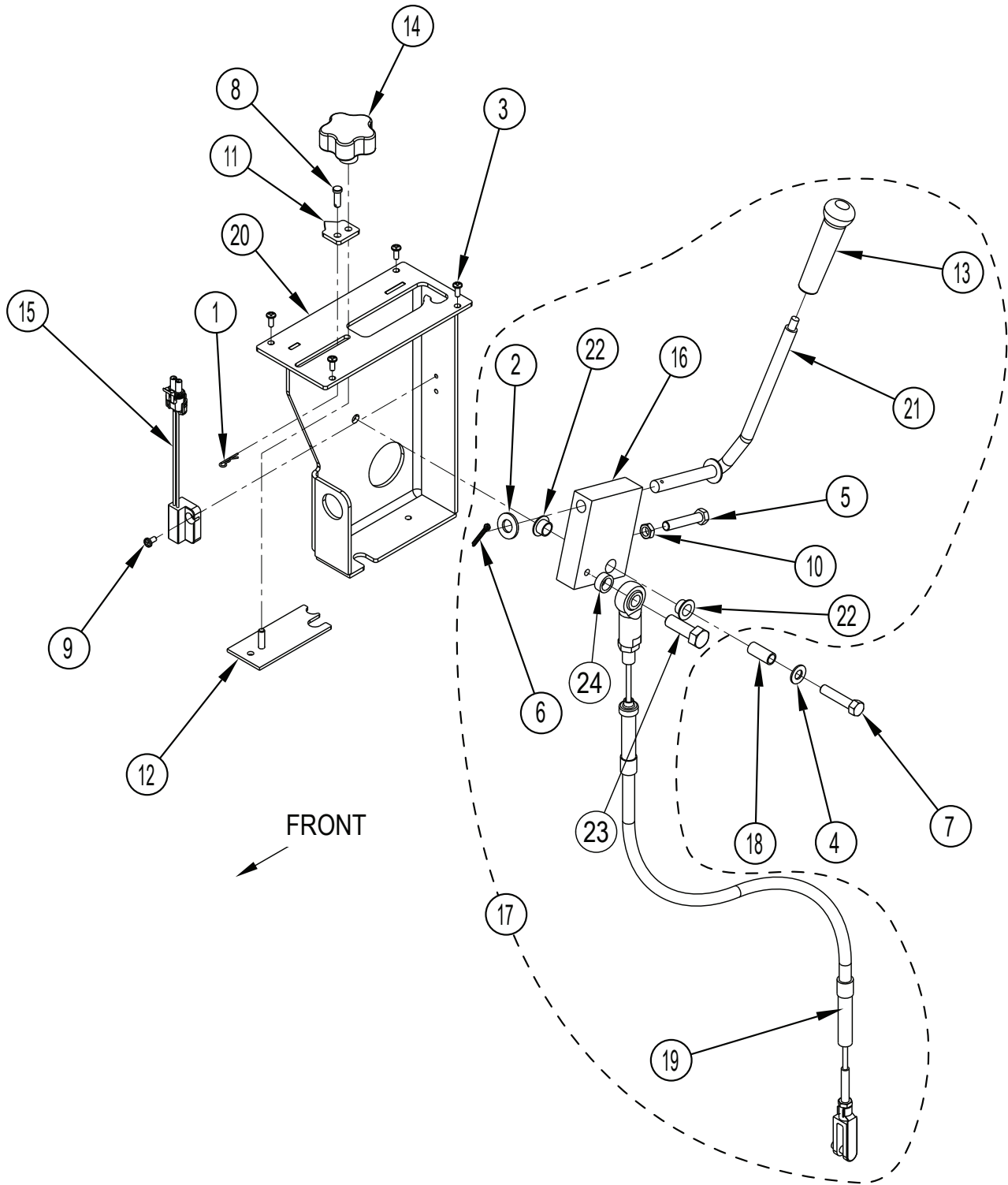


## HYDRAULIC PUMP ASSY

Item	Ref. No.	Qty	Description
	<b>56507613</b>	<b>1</b>	<b>Pump Assembly (items 1-12)</b>
1	56418866	1	Coupling, #8 Test Port
2	56900205	1	Tee, Run O-Ring
3	56001879	2	Wsh, Flt SAE 1/2
4	56001968	2	Scr, Hex 1/2-13 X 1.50
5	56507511	1	Hydrostatic/Aux Pump Assy (items 13-16)
6	56900017	1	Connector, O-Ring
7	56900116	1	Elbow, 90 O-Ring
8	56900119	1	Elbow, 90 O-Ring
9	56900357	1	Elbow, 45 O-Ring W/Nut
10	56107662	1	Tube Elbow 90 Deg-20
11	56900391	1	Connector, O-Ring
12	56900466	1	Reducer Nut
<b>13#</b>	56497918	1	Pump, Piston <b>TSB-FC-2014-029</b>
14	56001858	2	Scr, Hex 3/8-16 x 1.25
15	56002063	2	Wsh, Flt SAE 3/8
16	56507069	1	Pump, Gear

# = Revised or new since last update

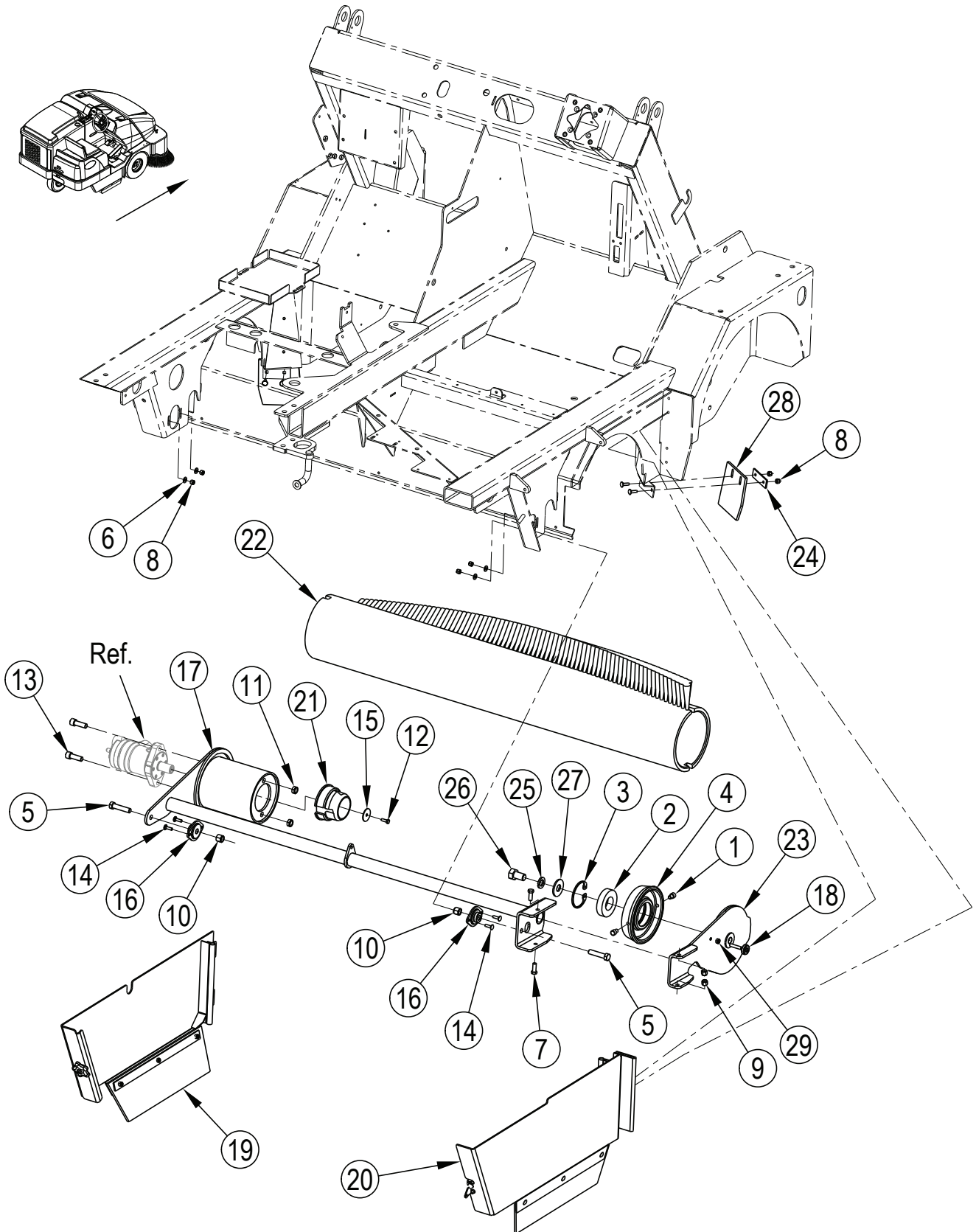
### BROOM LIFT ASSY



**BROOM LIFT ASSY**

Item	Ref. No.	Qty	Description
1	56003332	1	Pin, Cot Hair .042 x .188
2	56001879	1	Wsh, Flt SAE 1/2
3	56003902	4	Scr-Truss Phil SS Blk 10-24 x .50
4	56002063	1	Wsh, Flt SAE 3/8
5	56002091	1	Scr, Hex 3/8-16 x 2.00
6	56002529	1	Pin, Cotter 1/8 x 1
7	56003771	1	Scr, Hex Hd Loc 3/8-16 x 1.75 Grade 8
8	56003663	1	Pin, Clevis .25 x .75
9	56009030	1	Scr, Pan Phil Thd Form 10-24 x .38
10	56009085	1	Nut, Hex Jam 3/8-16
11	56304821	1	Plate, Indicator
12	56304822	1	Stop Plate Weldment
13	56305010	1	Knob, Broom
14	56305030	1	Knob, Adjust
15	56305053	1	Sensor, Proximity
16	56507109	1	Block, Broom Arm Pivot
17	56507110	1	Broom Arm Pivot Assembly (items 2, 5, 6, 10, 13, 16, 19, 21-24)
18	56507111	1	Bushing, 0.5 Dia x 1.12
19	56508742	1	Cable, Broom Lift Assy
20	56107695	1	Broom Lift Weldt
21	56507408	1	Handle, Broom Lift
22	56507560	2	Bearing, Pivot
23	56003778	1	Scr, Hex Loc 1/2-20 x 1.50 Grade 8
24	56051691	1	Spacer, Steel

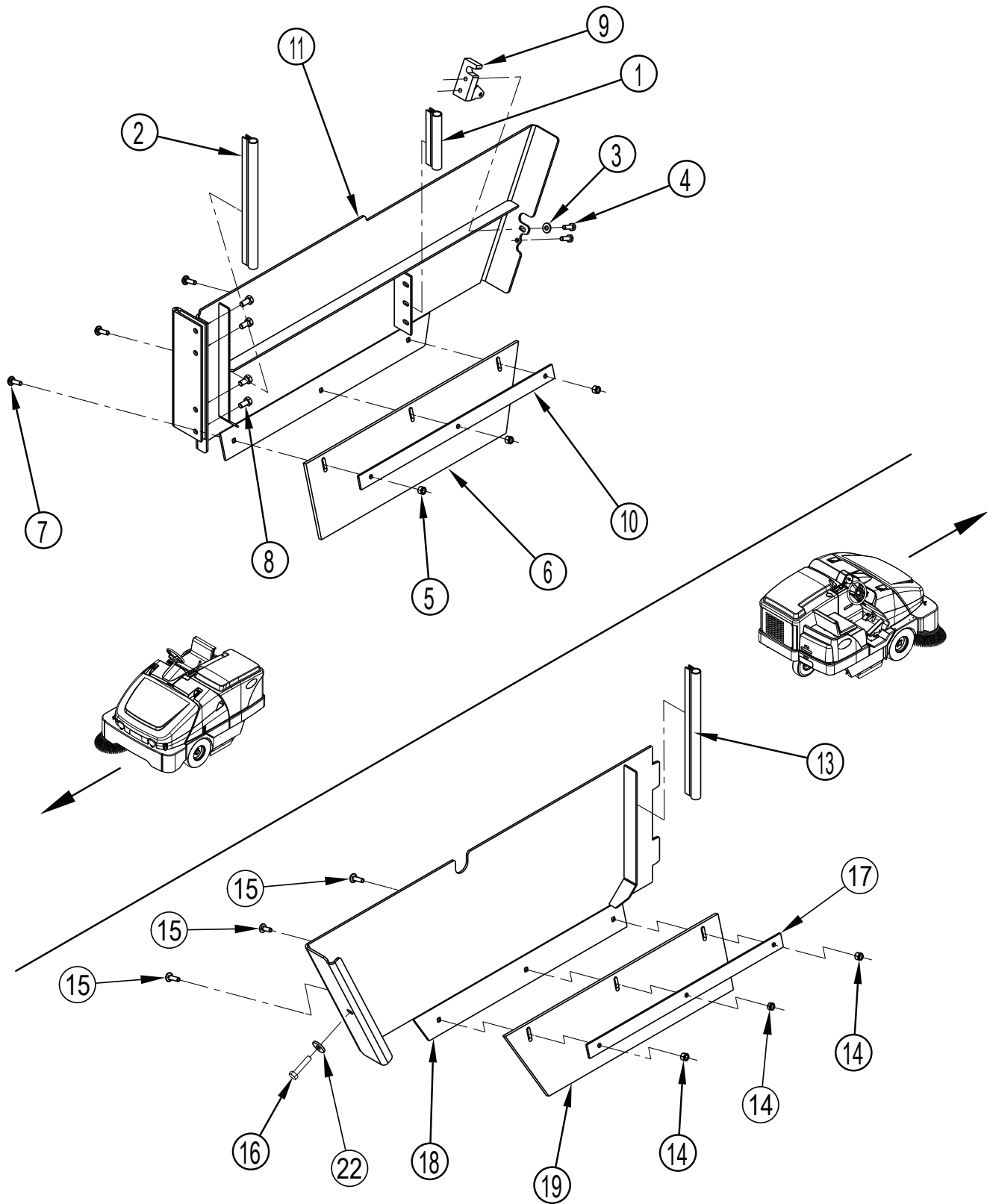
### MAIN BROOM ASSY-1



**MAIN BROOM ASSY-1**

<b>Item</b>	<b>Ref. No.</b>	<b>Qty</b>	<b>Description</b>
1	2-00-04886	2	Shoulder Bolt
2	2-00-04889	1	Bearing
3	2-00-04890	1	Retaining Ring
4	8-33-09090	1	Hub
5	56003929	2	Scr-Hex SS 1/2-13 x 2.25
6	56002859	4	Wsh-Flt SAE SS 1/4
7	56002886	2	Scr-Hex SS 3/8-16 x 1.00
8	56002491	8	Nut-Hex Nyl Loc SS 1/4-20
9	56003219	2	Nut-Hex Nyl Loc SS 3/8-16
10	56002846	2	Nut-Hex Nyl Loc SS 1/2-13
11	56002854	2	Nut, Hex Nyl Loc-Thin SS 1/2-13
12	56003221	1	Scr-Hex Loc SS 1/4-20 x .75
13	56003930	2	Scr-Soc Hd SS 1/2-13 x 1.50
14	56003828	8	Scr-Carriage SS 1/4-20 x 1.00
15	56003931	1	Wsh-Fender SS .281 x 1.50 x .074
16	56507230	2	Bearing
17	56107690	1	Broom Hanger Weldt
18	56382765	1	Leveler 5/16-18
19	56507396	1	Left Broom Door Assy ( <b>see Main Broom Assy-2</b> )
20	56507397	1	Right Broom Door Assy ( <b>see Main Broom Assy-2</b> )
21	56507423	1	Hub
22	56507424	1	Main Broom, Proex-Wire (standard)
23	56107689	1	Bracket-Broom Weldt
24	56508248	2	Strap, Front Tire Rear Flap
25	2-00-00522	1	Split Lock Washer 3/4
26	56003932	1	Scr-Hex SS 3/4-10 X 1.25
27	8-75-01157	1	Thrust Washer .812 Id X 2.00 OD
28	56508247	2	Flap, Front Tire Trail
29	56002851	1	Nut, Hex Nyl Loc-Thin SS 5/16-18

### MAIN BROOM ASSY-2

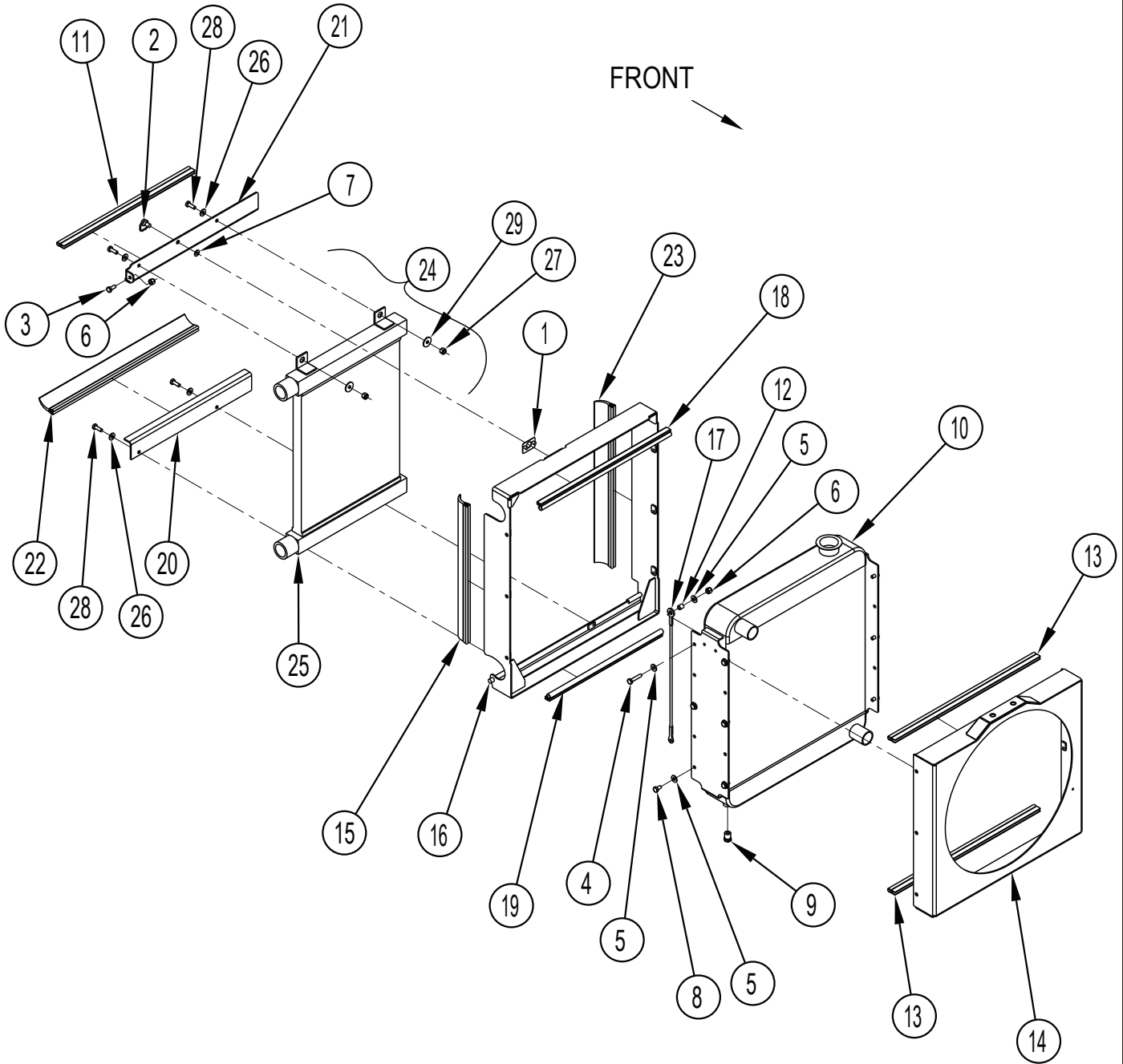


**MAIN BROOM ASSY -2**

<b>Item</b>	<b>Ref. No.</b>	<b>Qty</b>	<b>Description</b>
	56507397	1	Right Broom Door Assembly <b>(items 1-11)</b>
1	56508377	1	Gasket
2	56508376	1	Gasket
3	56002859	1	Wsh-Fit SAE SS 1/4
4	56003221	2	Scr-Hex Loc SS 1/4-20 x .75
5	56002491	3	Nut-Hex Nyl Loc SS 1/4-20
6	56507417	1	Flap, Door
7	56003916	3	Scr-Carriage SS 1/4-20 X .88 <b>TSB-FC-2014-015</b>
8	56002937	4	Scr-Hex Loc SS 5/16-18 x .62
9	56413802	1	Latch, RH
10	56507118	1	Strap, Door Flap
11	56107692	1	Door-Broom Rt Weldt
	56507396	1	Left Broom Door Assembly <b>(items 13-19)</b>
13	56508376	1	Gasket
14	56002491	3	Nut-Hex Nyl Loc SS 1/4-20
15	56003916	3	Scr-Carriage SS 1/4-20 X .88 <b>TSB-FC-2014-015</b>
16	56003455	1	Hex Hd SS 5/16-18 X 1.5
17	56507118	1	Strap, Door Flap
18	56107691	1	Door-Broom Lt Weldt
19	56507417	1	Flap, Door
22	56009382	1	Wsh-Fit SS .344 x 1.000 x .109

### RADIATOR ASSY

FRONT  
→



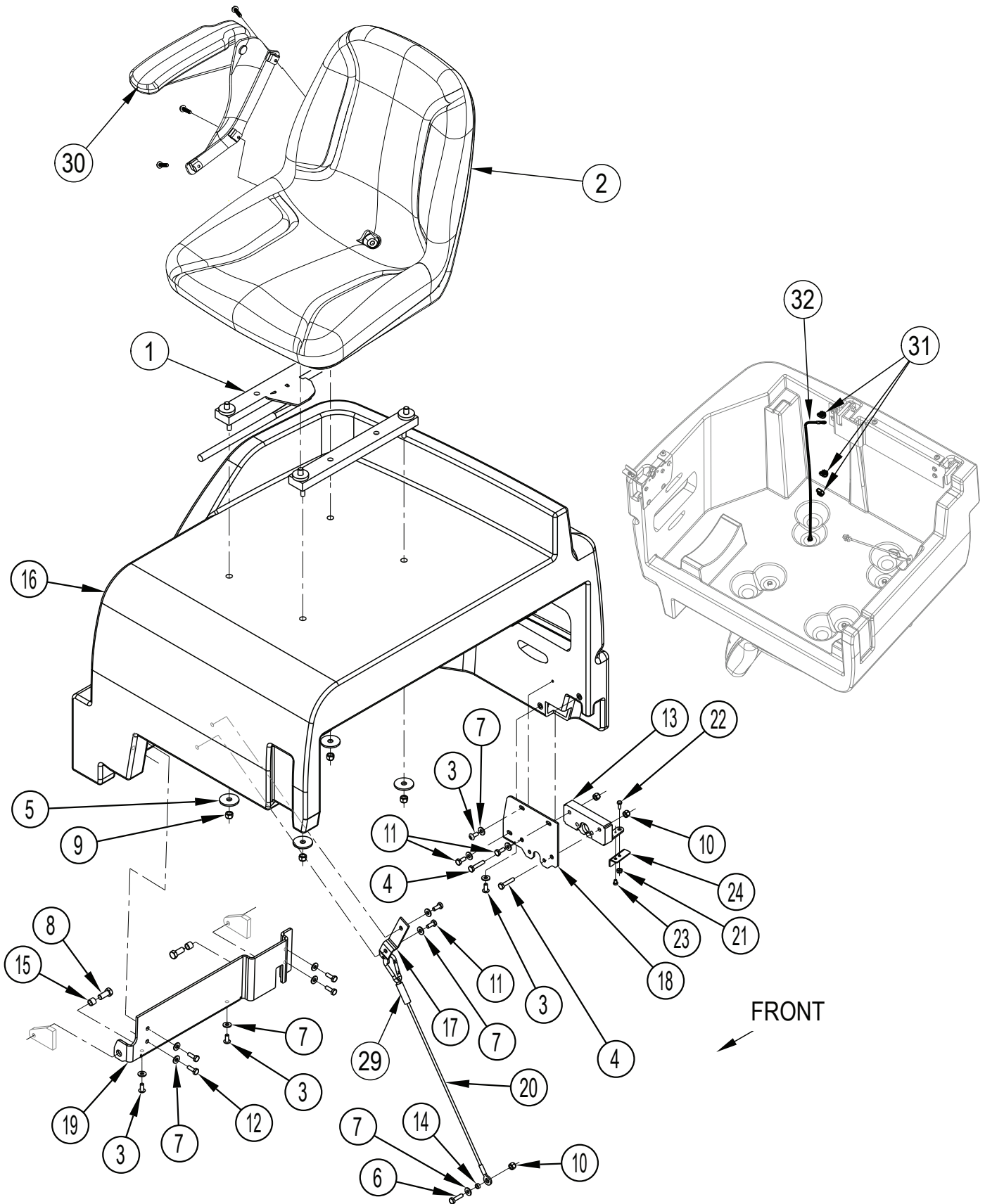
## RADIATOR ASSY

Item	Ref. No.	Qty	Description
		1	Radiator Assembly (items 1-24)
1	7-23-03108	1	U Clip-Screw-Captivated
2	7-23-03113	1	Fastener-Qtr. Turn
3	56001836	1	Scr, Hex 1/4-20 x .62
4	56001878	1	Scr, Hex 1/4-20 x 1.25
5	56002098	13	Wsh, Flt SAE 1/4
6	56002708	2	Nut, Hex Nyl Loc 1/4-20
7	7-23-03106	1	Washer-Screw-Captivated
8	56003039	11	Scr, Hex Hd Loc 1/4-20 x .50
9	56740136	1	Plug, Pipe
10	56107665	1	Radiator-6 Fin
[ ]	56456431	1	Radiator Cap (std)
*	56305638	1	Radiator Cap (small)
11	56508435	1	Gasket
12	56321532	1	Bushing .25 x .37 x .40
13	56418955	2	Gasket
14	56508194	1	Shroud, Radiator
15	56508315	1	Gasket, Radiator
16	56508240	1	Shroud, Cooler Weldment
17	56107644	1	Cable Assy
18	56508309	1	Trim-Seal
19	56508310	1	Trim-Seal
20	56508311	1	Bracket
21	56508312	1	Bracket
22	56508313	1	Gasket, Radiator
23	56508314	1	Gasket, Radiator
24	56507608	1	Oil Cooler Assembly (items 25-29)
25	56463678	1	Cooler, Oil
26	56002098	4	Wsh, Flt SAE 1/4
27	56002708	2	Nut, Hex Nyl Loc 1/4-20
28	56002948	4	Scr, Hex Hd Loc 1/4-20 x .75
29	56009002	2	Wsh, Flt .266 x .906 x .060

[ ] = Not Shown

\* = Optional, Not Included

### SEAT ASSY



## SEAT ASSY

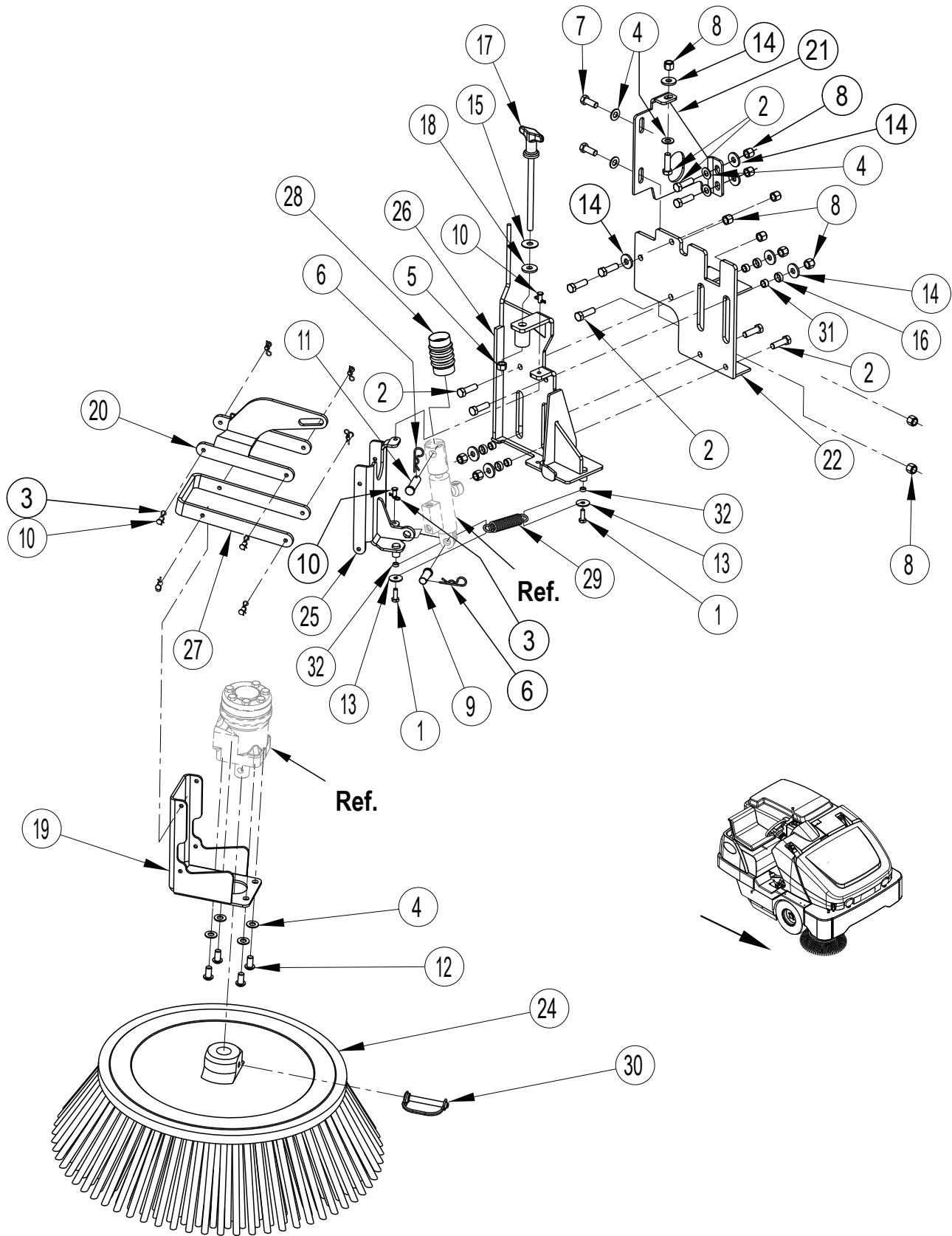
Item	Ref. No.	Qty	Description
1	7-72-05005	1	Slide, Seat
2	56383291	1	Seat-8 In. Mount <b>NOTE 1</b>
3	56009120	4	Scr Pan Phil SS Type B 1/4-14 x .62
4	56001878	2	Scr, Hex 1/4-20 x 1.25
5	56009242	4	Wsh, Flt .406 x 1.500 x .125
6	56001836	1	Scr, Hex 1/4-20 x .62
7	56002098	13	Wsh, Flt SAE 1/4
8	56002271	2	Scr, Hex 3/8-16 x .88
9	56002701	4	Nut, Hex Nyl Loc 5/16-18
10	56002708	3	Nut, Hex Nyl Loc 1/4-20
11	56002922	4	Scr, Hex Hd Loc 1/4-20 x .62
12	56002948	4	Scr, Hex Hd Loc 1/4-20 x .75
13	56304827	1	Latch, RH
14	56163872	1	Bushing
15	56388326	2	Bushing
16	56507088	1	Seat Support
17	56508097	1	Bracket
18	56508322	1	Bracket Seat Latch Mtg
19	56508330	1	Seat Pivot Weldt
20	56508335	1	Cable Assembly
21	56002832	1	Nut, Hex Nyl Loc-Thin 10-24
22	56009039	1	Scr, Hex Thd Form 10-24 x .50
23	56009063	1	Scr, Hex Thd Form 10-24 x .25
24	56107694	1	Handle Latch
29	56508774	1	Shrink Tube .75 x 2.5
30	56383189	1	Arm Rest Kit-R/H Only <b>NOTE 2</b>
30	7-03-04250	1	Arm Rest RH Only <b>NOTE 3</b>
31	56507793	3	Clip, Conduit
32	56508924	1	Wire-Assembly

**NOTE 1:** Seat 7-69-00008 has been replaced in production with Seat 56383291. If you need to replace Seat 7-69-00008 please order Seat Kit 56383467.

**NOTE 2:** Arm Rest Kit 56383189 is only for use on Seat 56383291.

**NOTE 3:** Arm Rest Kit 7-03-04250 is only for use on Seat 7-69-00008.

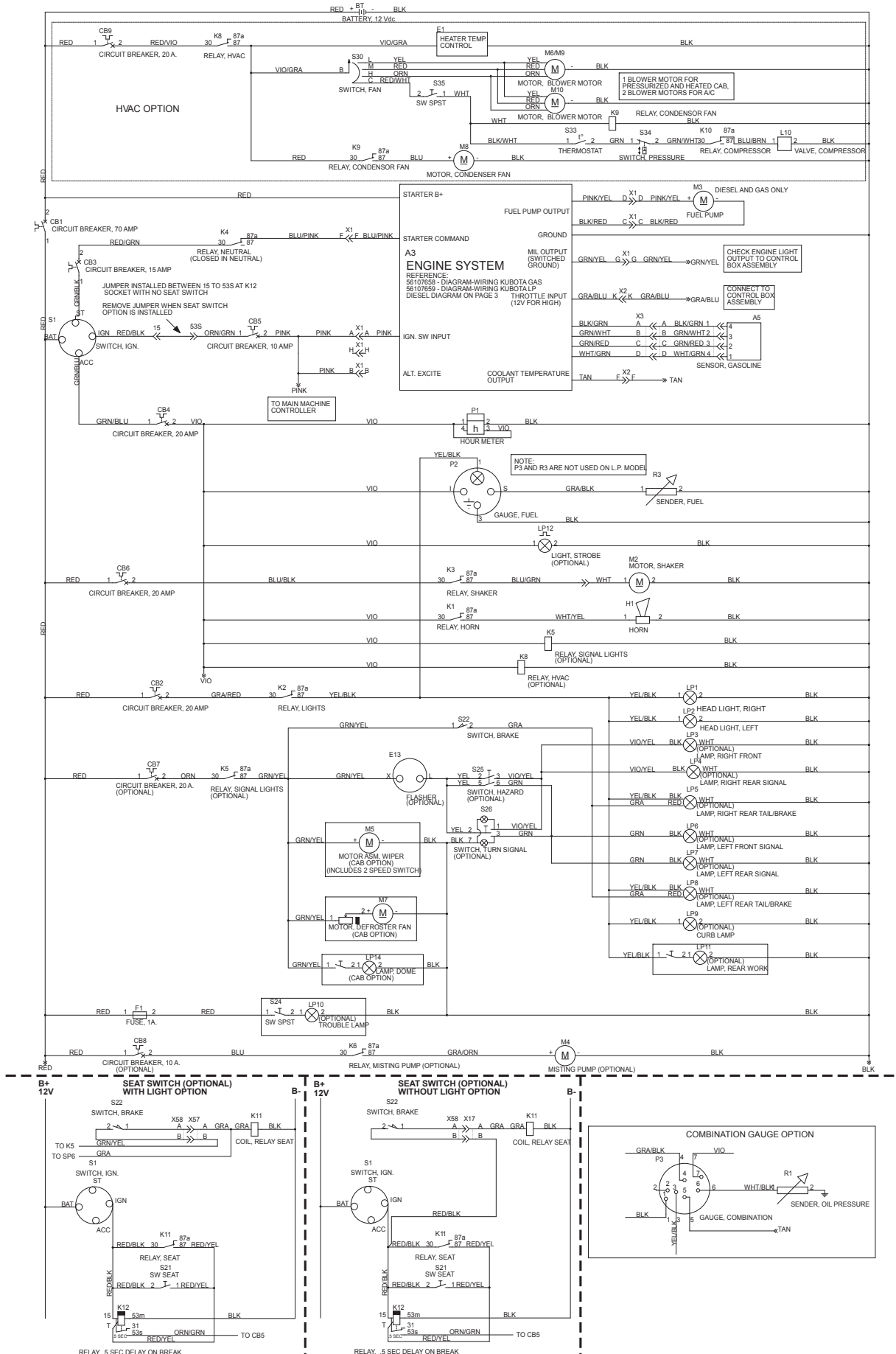
### SIDE BROOM SYSTEM



## SIDE BROOM SYSTEM

Item	Ref. No.	Qty	Description
1	56002948	2	Scr, Hex Hd Loc 1/4-20 x .75
2	56001858	10	Scr, Hex 3/8-16 x 1.25
3	56003530	10	Cotter, Hair Pin
4	56002063	9	Wsh, Flt SAE 3/8
5	56002123	1	Nut, Hex Machine 3/8-16
6	56003120	2	Pin, Cotter Hair .0915 x .375
7	56002663	2	Scr, Hex 3/8-16 x 1.00
8	56002769	12	Nut, Hex Nyl Loc 3/8-16
9	56003514	1	Pin, Clevis .50 x 1.25
10	56003727	10	Pin, Clevis .25 x .625
11	56003728	1	Pin, Clevis .50 x 1.75
12	56003729	4	Scr, Soc Hd But 3/8-16 x .75
13	56009002	2	Wsh, Flt .266 x .906 x .060
14	56009107	8	Wsh, Flt SS .378 x 1.000 x .120
15	56151068	1	Washer, Fibre
16	56365030	4	Bushing
17	56413576	1	Knob
18	56413599	1	Washer, Rubber
19	56507078	1	Mount, Side Broom Motor
20	56507080	1	Linkage, Side Broom Weldment
21	56507122	1	Bracket
22	56507148	1	RH Bracket Weldment
24	56508498	1	Side Broom-Polypropylene, 41°
25	56507502	1	Bracket, Side Broom Pivot
26	56507601	1	Bracket, Side Broom Mount
27	56507633	1	Side Broom Linkage
28	56507634	1	Side Broom Cylinder Bellows
29	56507707	1	Spring, Side Broom
30	56508392	1	Pin, T-Lock
31	56508363	4	Bushing, .377 x .49 x .29
32	56163872	2	Bushing

# LADDER DIAGRAM-1



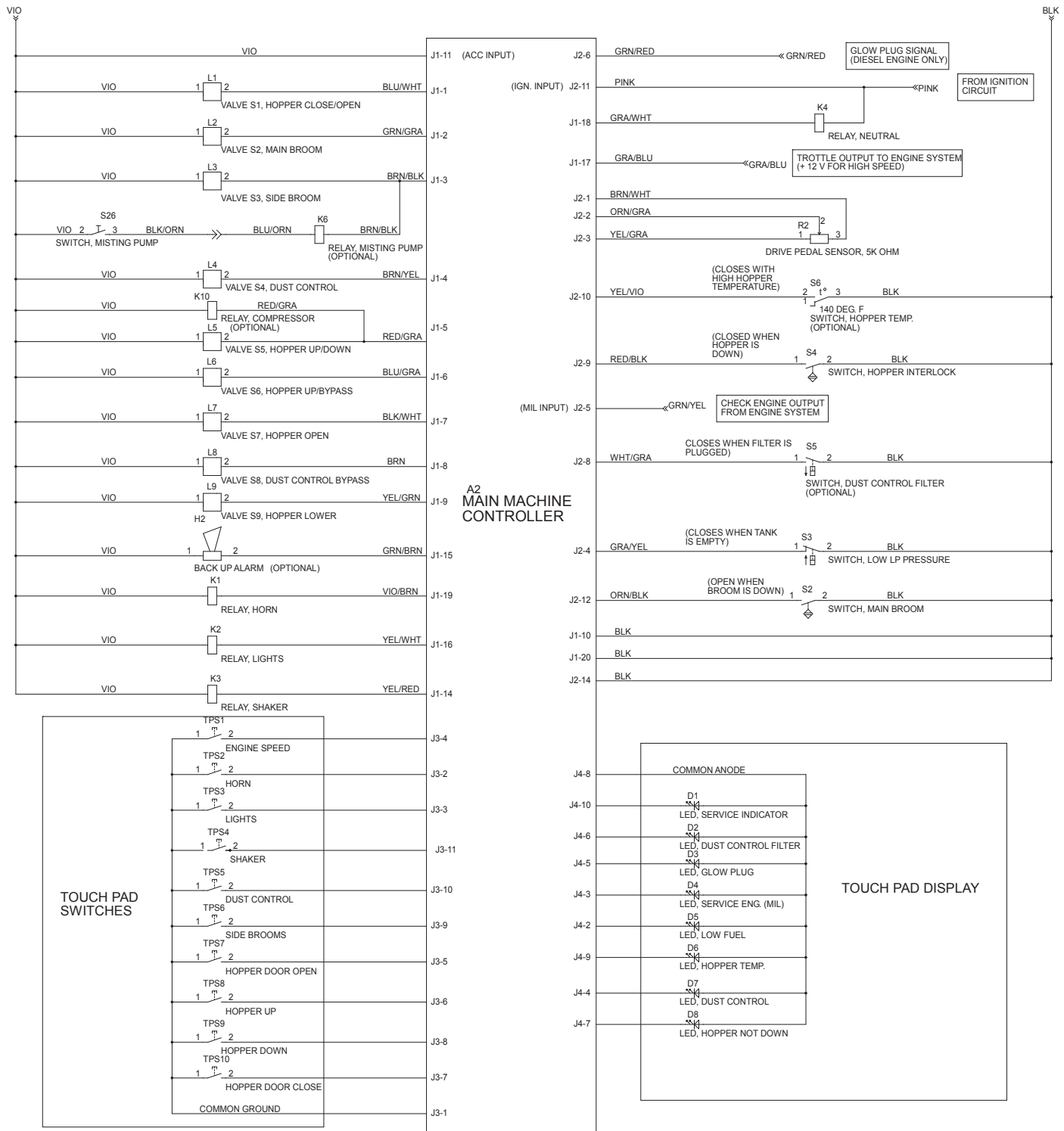
## LADDER DIAGRAM-1

Item	Ref. No.	Qty	Description	Item	Ref. No.	Qty	Description
A3	56107647	1	ECU-Kubota LPG ( <b>LPG only</b> )	P1	56393718	1	Hourmeter
	56107664	1	ECU-Kubota Petrol ( <b>Petrol only</b> )	P2	8-48-05032	1	Gauge, Fuel ( <b>not used on LPG models</b> )
A5	56107670	1	Manifold, Fuel ( <b>Petrol only</b> )	P3	56304589	1	Gauge, Combination ( <b>optional- LPG</b> )
					56304569	1	Gauge, Combination ( <b>optional- Petrol and Diesel</b> )
BT	0875-008	1	Battery, 12Vdc	R1	56305619	1	Sender, Oil Pressure ( <b>optional</b> )
CB1	56454429	1	Circuit Breaker, 70 Amp, Main	R3	56478358	1	Sender, Fuel ( <b>not used on LPG models</b> )
CB2	56413822	1	Circuit Breaker, 20 Amp, Headlights	S1	56418685	1	Switch, Ignition ( <b>LPG and Petrol</b> )
CB3	56413407	1	Circuit Breaker, 15 Amp, Starter		56497754	1	Switch, Ignition ( <b>Diesel</b> )
CB4	56413822	1	Circuit Breaker, 20 Amp, Accessories	S22	56508191	1	Switch, Brake
CB5	56507644	1	Circuit Breaker, 10 Amp, Ignition	S24		1	Switch ( <b>part of LP10</b> )
CB6	56413822	1	Circuit Breaker, 20 Amp, Shaker	S25	56507889	1	Switch, Hazard ( <b>optional</b> )
CB7	56413822	1	Circuit Breaker, 20 Amp (signal lights option)	S26	56507888	1	Switch, Turn Signal ( <b>optional</b> )
CB8	56507644	1	Circuit Breaker, 10 Amp (misting pump option)	S30		1	Switch, Fan
CB9		1	Circuit Breaker, 40 Amp (for cab option)	S33	56508899	1	Thermostat
E1	56508776	1	Heat Temp. Control	S34	56508871	1	Switch, Pressure
E13	56507887	1	Flasher (optional)	S35	56507889	1	Switch SPST
F1		1	Fuse, 1 Amp				
H1	56442054	1	Horn				
K1	56418387	1	Relay, Horn				
K2	56418387	1	Relay, Lights				
K3	56107639	1	Relay, Shaker				
K4	56418387	1	Relay, Neutral				
K5	56418387	1	Relay, Signal Lights (optional)				
K6	56418387	1	Relay, Misting Pump (optional)				
K8	56418387	1	Relay, HVAC (HVAC option)				
K9	56508897	1	Relay, Condenser Fan (HVAC option)				
K10	56418387	1	Relay, Compressor (HVAC option)				
L10	56508798	1	Valve, Compressor (HVAC option)				
LP1	56507223	1	Head Light, Right				
LP2	56507223	1	Head Light, Left				
LP3	56507113	1	Lamp, Right Front (optional)				
LP4	56507113	1	Lamp, Right Rear Signal (optional)				
LP5	56507112	1	Lamp, Right Rear Tail/Brake (optional)				
LP6	56507113	1	Lamp, Left Front Signal (optional)				
LP7	56507113	1	Lamp, Left Rear Signal (optional)				
LP8	56507112	1	Lamp, Left Rear Tail/Brake (optional)				
LP9	56507830	1	Lamp, Curb (optional)				
LP10	56305627	1	Lamp, Trouble (optional)				
LP11	56507830	1	Lamp, Rear Work (optional)				
LP12	56305223	1	Light, Strobe (optional)				
LP14	56508819	1	Lamp, Dome (cab option)				
M2	56508664	1	Motor, Shaker				
M3		1	Pump, Fuel <b>NOTE 2</b>				
M4	56507851	1	Pump, Misting (optional)				
M5	56508636	1	Motor, Assy Wiper (cab option)				
M6	0882-055	1	Motor, Blower Motor (heater)				
M7	56508820	1	Motor, Defroster Fan (cab option)				
M8	56508896	1	Motor, Condenser Fan				
M9	56508898	1	Motor, Blower Motor (A/C)				
M10	56508898	1	Motor, Blower Motor (A/C)				

**NOTE 1:** Reference; 56382530 = Ladder Diagram & 56382531 = Wiring Diagram.

**NOTE 2:** Part number is dependent on engine, see "ENGINE REPLACEMENT PARTS" of appropriate engine.

# LADDER DIAGRAM-2



## LADDER DIAGRAM-2

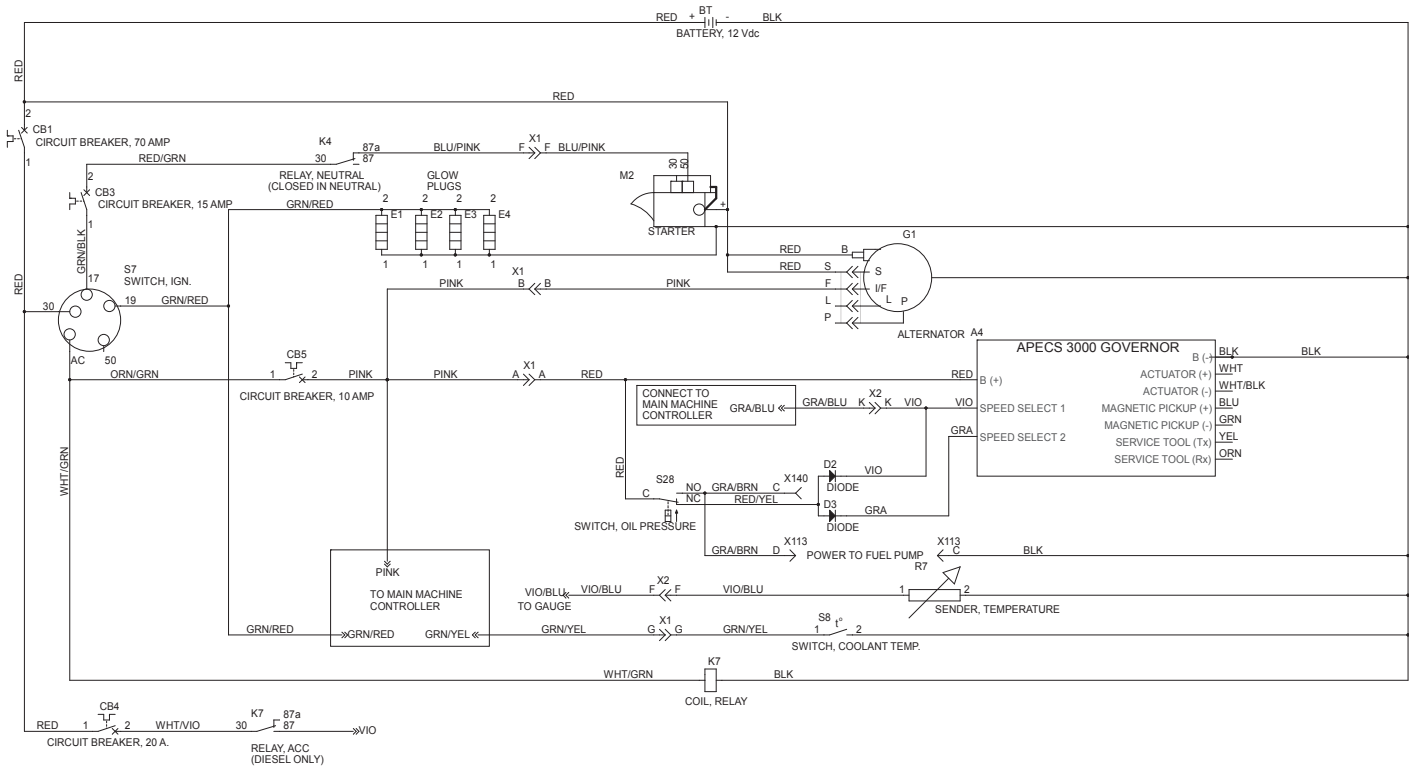
Item	Ref. No.	Qty	Description
A2	56107627	1	Control Box Assy
H2	56409232	1	Back Up Alarm <b>(optional)</b>
K1	56418387	1	Relay, Horn
K2	56418387	1	Relay, Lights
K3	56107639	1	Relay, Shaker
K4	56418387	1	Relay, Neutral
K6	56418387	1	Relay, Misting Pump <b>(optional)</b>
L1		1	Valve S1, Hopper Close/Open
L2		1	Valve S2, Main Broom
L3		1	Valve S3, Side Broom
L4		1	Valve S4, Dust Control
L5		1	Valve S5, Hopper Up/Down
L6		1	Valve S6, Hopper Up/Bypass
L7		1	Valve S7, Hopper Open
L8		1	Valve S8, Dust Control Bypass
L9		1	Valve S9, Hopper Lower
R2	56305129	1	Drive Pedal Sensor, 5K Ohm
S2	56305053	1	Switch, Main Broom
S3	56418381	1	Switch, Low LP Pressure
S4	56305053	1	Switch, Hopper Interlock
S5	56305518	1	Switch, Dust Control Filter <b>(optional)</b>
S6	56418405	1	Switch, Hopper Temp. <b>(optional)</b>
S26		1	Switch, Misting Pump <b>(optional)</b>
TPS1		1	Touch Pad Switch, Engine Speed <b>NOTE 1</b>
TPS2		1	Touch Pad Switch, Horn <b>NOTE 1</b>
TPS3		1	Touch Pad Switch, Lights <b>NOTE 1</b>
TPS4		1	Touch Pad Switch, Shaker <b>NOTE 1</b>
TPS5		1	Touch Pad Switch, Dust Control <b>NOTE 1</b>
TPS6		1	Touch Pad Switch, Side Brooms <b>NOTE 1</b>
TPS7		1	Touch Pad Switch, Hopper Door Open <b>NOTE 1</b>
TPS8		1	Touch Pad Switch, Hopper Up <b>NOTE 1</b>
TPS9		1	Touch Pad Switch, Hopper Down <b>NOTE 1</b>
TPS10		1	Touch Pad Switch, Hopper Door Close <b>NOTE 1</b>

**NOTE 1:** Part of Touch Pad 56107601 for petrol and LPG or 56107603 for diesel.

**NOTE 2:** Reference; 56382530 = Ladder Diagram & 56382531 = Wiring Diagram.

# LADDER DIAGRAM-3

## KUBOTA DIESEL ENGINE SYSTEM



## LADDER DIAGRAM-3

Item	Ref. No.	Qty	Description
A4	56508400	1	ACPECS 3000 Governor
BT	0875-008	1	Battery, 12 Vdc
CB1	56454429	1	Circuit Breaker, 70 Amp
CB3	56413407	1	Circuit Breaker, 15 Amp
CB4	56413822	1	Circuit Breaker, 20 Amp
CB5	56507644	1	Circuit Breaker, 10 Amp
D2		1	Diode
D3		1	Diode
E1		1	Glow Plug
E2		1	Glow Plug
E3		1	Glow Plug
E4		1	Glow Plug
G1	56110738	1	Alternator
K4	56418387	1	Relay, Neutral
K7	56418387	1	Relay, Acc (Diesel only)
M2	56419089	1	Starter
R7	56305873	1	Sender, Temperature
S7	56497754	1	Switch, Ignition
S8	56419091	1	Switch, Coolant Temp.
S28	N/A	1	Switch, Oil Pressure

**NOTE 1:** Reference; 56382530 = Ladder Diagram & 56382531 = Wiring Diagram.

## OPTIONAL KITS & ACCESSORIES

Item	Ref. No.	Qty	Description	Item	Ref. No.	Qty	Description
<b>Options</b>							
*	56507184	1	Left Side Broom Option	*	56507424	1	Main Broom-Proex-Wire
*	56507228	1	Tilt Steering Option	*	56507340	1	Main Broom-Proex-Wire Chevron
*	56507025	1	Cab Heater & Pressurizer Option <b>NOTE 3</b>	*	56507342	1	Main Broom-Proex-Wire-12 Row
*	56507021	1	Cab A/C Option w/Heater & Pressurizer <b>NOTE 3</b>	*	56507345	1	Main Broom-Nylon
*	56107780	1	Assy Heater-Pressr And AC <b>NOTE 4</b>	*	56507346	1	Main Broom-Proex
*	56107781	1	Assy Heater-Pressurizer <b>NOTE 4</b>	*	56507344	1	Main Broom-Polypro-Wire-12 Row
<b>Cab Model Accessories</b>							
*	56508811	1	Rear Bumper Kit - Cab <b>NOTE 1</b>	*	56507343	1	Main Broom-Polypropylene
*	56508812	1	Broom Guard / Rear Bumper Kit - Cab <b>NOTE 1</b>	*	56107638	1	Main Broom Chevron-Prope
*	56508813	1	Fire Extinguisher Kit - Cab				
*	56508663	1	Mirror Option				
*	56508826	1	Raised Air Intake Kit - Cab <b>NOTE 1</b>				
<b>Accessories</b>							
*	56507030	1	Litter Vac Kit <b>NOTE 1</b>				
*	56507027	1	Fire Extinguisher Kit <b>NOTE 1</b>				
*	56507029	1	Hopper Temp Sensor Kit <b>NOTE 1</b>				
*	56507036	1	Plugged Filter Switch Kit <b>NOTE 1</b>				
*	56507033	1	Raised Air Intake Kit W/O OHG <b>NOTE 1</b>				
*	56507041	1	Raised Air Intake Kit W/ OHG <b>NOTE 1</b>				
*	56507037	1	Foam Filled Tire Kit				
*	56508873	1	Solid Tire Kit				
*	56507023	1	Backup Alarm Kit <b>NOTE 1</b>				
*	56507024	1	Brake / Signal Light Kit <b>NOTE 1</b>				
*	56507034	1	Work Light Kit <b>NOTE 1</b>				
*	56507038	1	Amber Strobe W/O OHG Kit <b>NOTE 1</b>				
*	56507039	1	Amber Strobe W/ OHG Kit <b>NOTE 1</b>				
*	56508825	1	Amber Strobe Cab (cab models)				
*	56507394	1	OHG Kit (Over Head Guard) <b>NOTE 1</b>				
*	56507040	1	Suspension Seat Kit <b>NOTE 1</b>				
*	56383455	1	Seat Belt Kit <b>NOTE 1</b>				
*	56383885	1	Kubota Diesel Gauge Kit-BSPP (Standard on all Diesel models) <b>NOTE 1 / NOTE 5</b>				
*	56508722	1	Kubota Diesel Gauge Kit (Standard on all Diesel models) <b>NOTE 1 / NOTE 6</b>				
*	56107674	1	Kubota Gasoline Gauge Kit-4 Cyl <b>NOTE 1</b>				
*	56107673	1	Kubota LPG Gauge Kit-4Cyl <b>NOTE 1</b>				
*	56507850	1	Side Broom Misting Kit <b>NOTE 1</b>				
*	56508364	1	Right Side Broom Guard Kit <b>NOTE 1</b>				
*	56508365	1	Left Side Broom Guard Kit <b>NOTE 1</b>				
*	56508720	1	Rear Bumper Kit <b>NOTE 1</b>				
*	56508741	1	Broom Guard / Rear Bumper Kit <b>NOTE 2</b>				
*	56107612	1	Front Bumper Kit <b>NOTE 1</b>				
*	8-24-04139-1	1	Filter Panel Ultra-Web Cellulose				
*	56382789	1	Filter Panel Poly High Flow				
*	56508953	1	Filter-HEPA				
*	56508433	1	Floor Mat Kit				
*	56508889	1	Hopper Bottom Plate Kit				
*	56044635	A/R	SW8000 Literature Pack				
*	56044636	A/R	SW8000 (cab) Literature Pack				
*	56504516	1	Kit-Hydraulic Test				
*	56107680	1	Side Broom Speed Control Kit				
*	56107668	1	Switch Kit-Operator Presence				
<b>Special Tools</b>							
*	56107764	1	Cd-Kubota Engine Software				

\* = Optional, Not Included

**NOTE 1:** Replacement parts for the kits listed above can be found on each kit's associated instruction sheet.**NOTE 2:** Consists of 56508364, 56508365 & 56508720.**NOTE 3:** Factory installed kit only for diesel cab models.**NOTE 4:** Factory installed kit only for gasoline/petrol and LPG cab models.**NOTE 5:** All Diesel machines built after serial number 1000053695 needing to replace the Temperature Sender 56383884 or a dealer installed Diesel Gauge Kit, use Diesel Gauge Kit - BSPP 56383885. All Diesel machines getting a first time installation of a Diesel Gauge Kit regardless of the serial number, use Diesel Gauge Kit - BSPP 56383885.**NOTE 6:** All Diesel machines built before serial number 1000053696 with factory installed temperature gauge use Diesel Gauge Kit 56508722 or Temperature Sender 56305873. All Diesel machines with dealer installed Diesel Gauge Kit 56508722, use Diesel Gauge Kit 56508722 or Temp Sender 56305873.

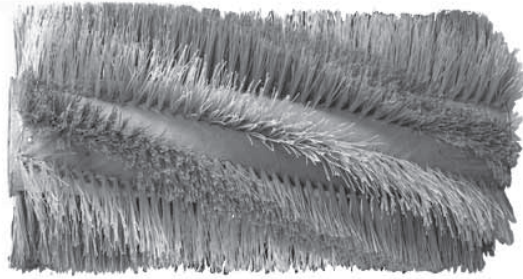
## RECOMMENDED SPARE PARTS

Item	Ref No.	Qty	Description	Item	Ref No.	Qty	Description
			Normal Wear		56508003		Harness Gasoline Sensor
	56507998		Seal (Oil Drain Plug)		56305010		Knob Broom
	56504545		Seal Crank Oil Front (Diesel)		56305030		Knob Adjusting
	56504546		Seal Crank Oil Rear (Diesel)		2-00-04886		Screw HSHC 3/8 16 X 1/2 (for Broom Hub)
	56508325		Seal Door Hinge		2-00-04889		Bearing Main Broom Idler
	56107729		Clamp Door Seal		56507065		Side Broom Cylinder
	56507189		Seal Air Exhaust		56507095		Steering Cylinder
	56507219		Seal Hopper Cover 4 Parts		56507155		Cylinder Hydraulic Hopper Door
	8-85-06021		Tire 5.00 x 8 Pneumatic		56507241		Cylinder Hydraulic Hopper Lift
	56508943		Tire Solid 5 X 8 X 3		56305369		Cartridge (S3, S7)
	56508372		Flap Dust		56305367		Cartridge (S5, S9)
	56508373		Flap Dust		56305531		Cartridge (S6)
	56508387		Flap Dust		56507686		Cartridge (S8)
	8-70-00086		Flap Pneumatic Tire 9.0 x 6.7		56507687		Cartridge Flow Control 2 GPM
	56508389		Flap Hopper Side		56507688		Cartridge (for Flow Divider)
	56508247		Flap Front Tire Trail		56419397		Relief Valve Cartridge
	56507473		Flap		56507690		Directional Valve
	56507569		Flap Broom Rear		56305370		Check Valve Cartridge
	56508317		Flap (LH Main Broom)		56507692		Cartridge
	56508083		Flap Hopper		56507983		Orifice (.086)
	56507417		Flap Door (Main Broom)		56508184		Orifice (.078)
	56107621		Flap Broom Rear		56507694		Coil 12 VDC (S1-S7, S9)
			Ordinary Maintenance		56507695		Coil 12 VDC (S8)
	56507619		Seal Kit (For Side Broom Motor)		56497754		Key Switch (Diesel)
	56507895		Gasket (Broom Chamber)		56418685		Switch Starter (LPG & Petrol)
	56507198		Seal Vacuum Fan		56419091		Switch Temperature (Diesel)
	56508728		Seal Hopper Skid Plate		56508400		Governor Controller (Diesel)
	56507169		Seal Hopper		56454429		Circuit Breaker 70Amp
	56507178		Seal Hopper Door Side		56413407		Circuit Breaker 15 Amp
	7-70-00127		Seal Kit (for Steering Control Unit)		56413822		Circuit Breaker 20 Amp
	56109100		Seal Kit (for Right Side Broom Cylinder)		56507644		Circuit Breaker 10 Amp
	56380809		Seal Kit (for Steering Cylinder)		56110738		Alternator 105 Amp
	56380813		Seal Kit (for Hopper Lift Cylinder)		56418387		Relay SPDT
	56508223		Seal Kit (for 56507688)		56383884		Sender-Temperature-BSP (Diesel) / NOTE 1
	56305354		Seal Kit (for S1, S2, S4, S5, S6, S9, Relief, Check Valve)		56305873		Sender Temperature (Diesel) / NOTE 2
	56305355		Seal Kit (S3, S7)		56508191		Switch Assembly N.O. (Brake Switch)
	56507702		Seal Kit (for PO Check Valve)		56507889		Switch SPDT Rocker
	56418823		Seal Kit (for Vac Fan)		56507888		Switch SPDT Rocker
	8-70-00085		Tube Inner Pneu Tire 5.00 x 8		56508899		Switch Thermostat
	8-70-00093		Tube Inner Pneu. Tire		56508871		Switch Binary
	56507618		Seal Kit (for Drive Motor)		56418381		Switch N C Pressure (LPG)
	56507620		Seal Kit (for Main Broom Motor)		56107613		Sensor Oxygen (LPG & Petrol)
	56508487		Oil Filter Cartridge		56107712		Oil Pressure Switch (LPG & Petrol)
	56107706		Spark Plug		56508444		Oil Pressure Switch (Diesel)
			Extra-Ordinary Maintenance		56107721		Kit Water Temp Sensor (LPG & Petrol)
	56507064		Motor Side Broom		2-00-06354		Crank/RPM Sensor (LPG & Petrol)
	56508664		Motor 12vdc		56107707		Starter (LPG & Petrol)
	56419089		Starter Motor (Diesel)		56107708		Water Pump Assy LPG (LPG)
	56507063		Motor Traction Drive		56510970		Water Pump-D1305 (Petrol)
	56507067		Hydraulic Motor Vac Fan		56107710		Dipstick (LPG & Petrol)
	56507066		Main Broom Motor		56107711		Gasket Exhaust Manifold (LPG & Petrol)
	8-65-05015		Rim Assembly		56107718		Ignition Coil (LPG & Petrol)
	8-85-06023		Rim Assy 3.00 x 8 Lockring		56510971		Pulley Alternator (LPG & Petrol)
	56305053		Sensor Proximity		56383025		Cap Oil Fill (LPG & Petrol)
	56305129		Rotary Sensor		56107668		Switch Kit Operator Presence
	56508454		Thermostat Kit (LPG & Petrol)				

**NOTE 1:** All Diesel machines built after serial number 1000053695 with factory installed temperature gauge.

**NOTE 2:** All Diesel machines built before serial number 1000053696 with factory installed temperature gauge.

## BROOM SELECTOR GUIDE



**Main Broom:** **56507424 Proex & Wire (STD.) (8 Double Rows)**  
**56507340 Proex & Wire (optional) (Chevron)**  
**56507342 Proex & Wire (optional) (12 D-Rows)**

This broom has a more aggressive cleaning action, used to pick up heavier debris.

**56507345 Nylon (optional) (8 D-Rows)**

General purpose broom that can be used for all types of light soil. High wear material so uneven surfaces do not cause excessive wear. Nylon has a high heat deflection temperature, is chemical resistant and will absorb water in wet conditions. Truly a general purpose broom.

**56507346 Proex (optional) (8 Double Rows)**

Synthetic fiber made of polypropylene designed to pick up paper gravel, sand and other lighter less bulky litter.

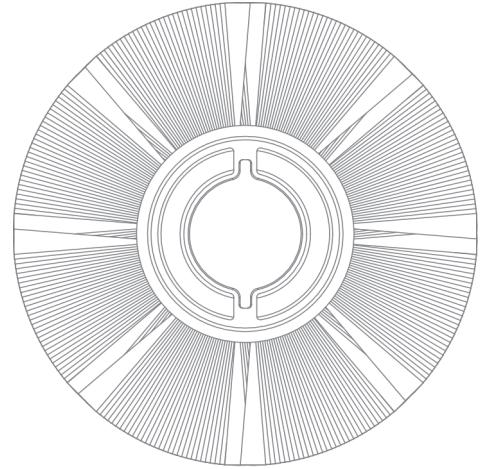
**56507344 Polypropylene/Wire (optional) (12 D-Rows)**

**56507343 Polypropylene (optional) (8 D-Rows)**

### 8 Double Row

Length.....50" (127.6 cm)

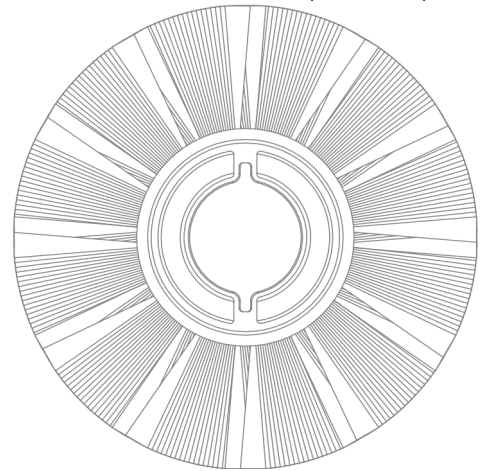
Diameter.....14" (35.56 cm)



### 12 Double Row

Length.....50" (127.6 cm)

Diameter.....14" (35.56 cm)



**Side Broom:** **56507350 Polypropylene 30° (STD.)**

The side broom function is to sweep the dirt and debris away from the curb, wall, pallet, etc. into the path of the main broom.

**56507351 Nylon 30° (optional)**

**56507352 Wire 30° (optional)**

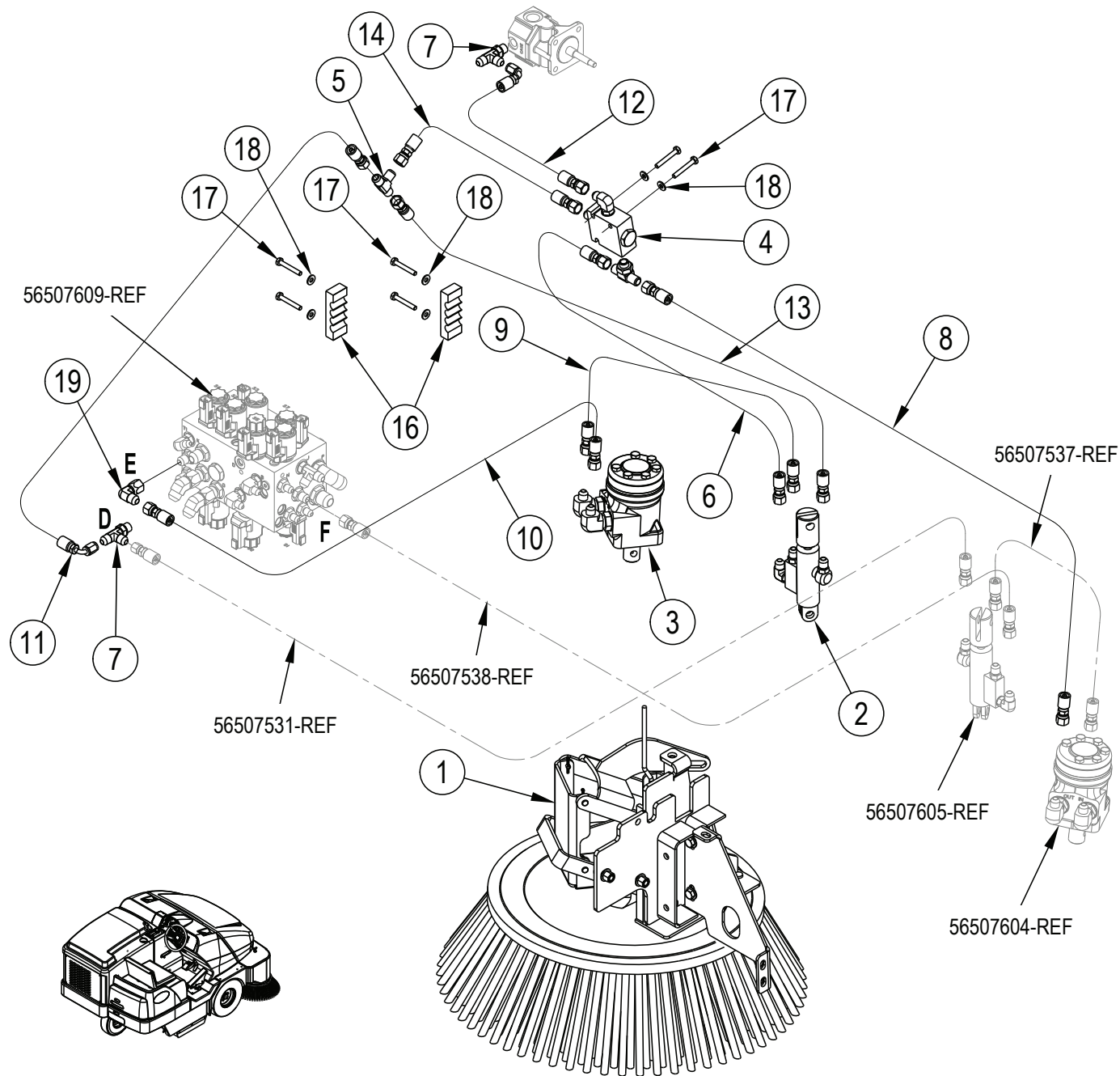
**56508498 Polypropylene 41° (optional)**

**56508499 Nylon 41° (optional)**



(30°) Diameter.....22" (58 cm)

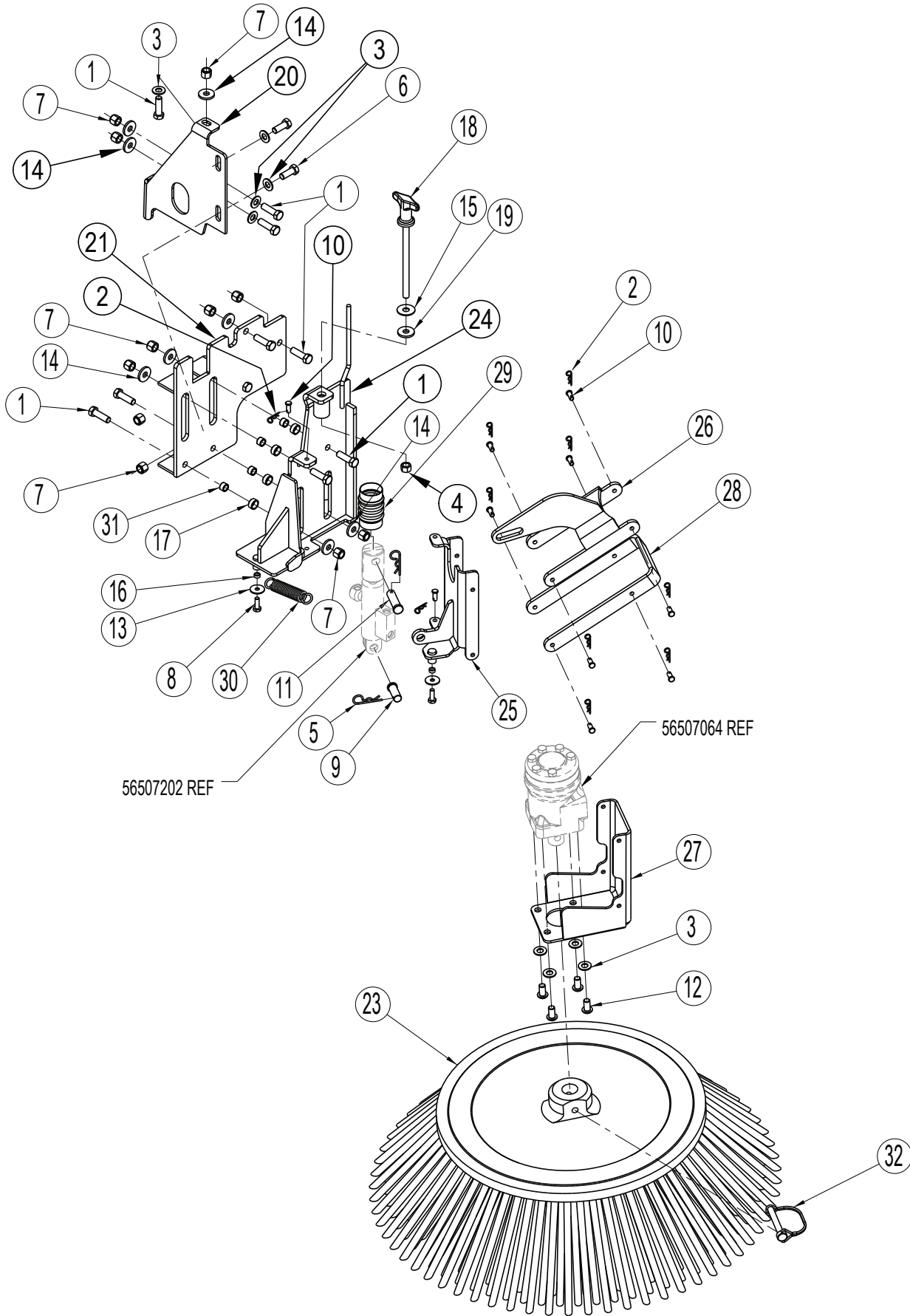
(41°) Diameter.....26" (66 cm)



## LEFT HAND SIDE BROOM OPTION-1

Item	Ref. No.	Qty	Description	Item	Ref. No.	Qty	Description
1	56507026	1	Left Hand Side Broom Option See Left Hand Side Broom Option-2	6	56508305	1	Hose, Hydraulic
2	56507367	1	Side Broom Cylinder Assy, Left	7	56900201	2	Tee, Run O-Ring
	56507202	1	Cylinder, Side Broom, Left	8	56507356	1	Hose, Hydraulic
	56900286	1	Elbow, 90 O-Ring	9	56507537	1	Hose, Hydraulic
	56900370	2	Connector, O-Ring	10	56507538	1	Hose, Hydraulic
3	56507604	1	Side Broom Motor Assembly	11	56507788	1	Hose, Hydraulic
	56507064	1	Side Broom Motor	12	56508308	1	Hose, Hydraulic
	56507619	1	Seal Kit (for 56507064)	13	56508306	1	Hose, Hydraulic
	56900113	2	Elbow, 90 O-Ring	14	56508307	1	Hose, Hydraulic
4	56109781	1	Valve Assy	15	56477613	3	Wire Tie (not shown)
	56109780	1	Valve, PO Check	16	56507922	1	Hose Clamp, 1/4 Quadruple
	56900003	1	Connector, O-Ring	17	56001967	6	Scr, Hex 1/4-20 x 1.75
	56900103	1	Elbow, 90 O-Ring	18	56002098	6	Wsh, Fit SAE 1/4
	56900353	1	Tee, Branch O-Ring	19	56900303	1	Elbow, 90 W/Nut
5	56900443	1	Tee, Union				

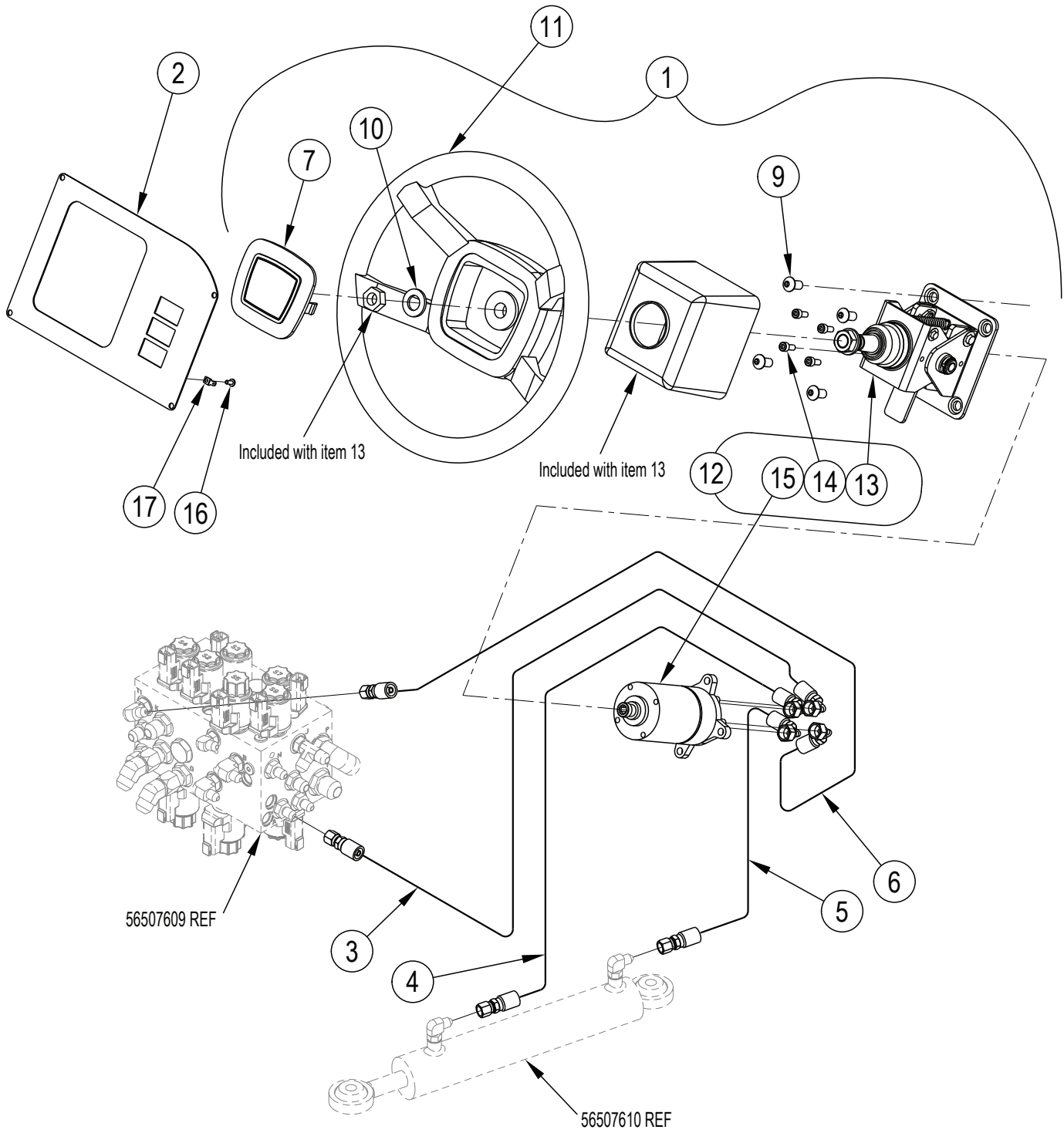
### LEFT HAND SIDE BROOM OPTION-2



## LEFT HAND SIDE BROOM OPTION-2

Item	Ref. No.	Qty	Description
1	56001858	10	Scr, Hex 3/8-16 X 1.25
2	56003530	10	Cotter, Hair Pin
3	56002063	9	Wsh, Flt SAE 3/8
4	56002123	1	Nut, Hex Machine 3/8-16
5	56003120	2	Pin, Cotter Hair .0915 x .375
6	56002663	2	Scr, Hex 3/8-16 X 1.00
7	56002769	12	Nut, Hex Nyl Loc 3/8-16
8	56002948	2	Scr, Hex Hd Loc 1/4-20 x .75
9	56003514	1	Pin, Clevis .50 x 1.25
10	56003727	10	Pin, Clevis .25 x .625
11	56003728	1	Pin, Clevis .50 x 1.75
12	56003729	4	Scr, Soc Hd But 3/8-16 X .75
13	56009002	2	Wsh, Flt .266 X .906 X .060
14	56009107	8	Wsh, Flt SS .378 X 1.000 X .120
15	56151068	1	Washer, Fibre
16	56163872	2	Bushing
17	56365030	4	Bushing
18	56413576	1	Knob
19	56413599	1	Washer, Rubber
20	56507122	1	Bracket
21	56507150	1	LH Bracket Weldment
23	56508498	1	Side Broom-Polypropylene, 41°
24	56507625	1	Side Broom Mounting Bracket
25	56507628	1	Side Broom Pivot Bracket
26	56507629	1	Side Broom Linkage Weldment
27	56507630	1	Side Broom Motor Mount
28	56507633	1	Side Broom Linkage
29	56507634	1	Side Broom Cylinder Bellows
30	56507707	1	Spring, Side Broom
31	56508363	4	Bushing, .377 X .49 X .29
32	56508392	1	Pin, T-Lock

### TILT STEERING OPTION



**TILT STEERING OPTION**

<b>Item</b>	<b>Ref. No.</b>	<b>Qty</b>	<b>Description</b>
	56507228	1	Tilt Steering Option Assembly (includes items 1-6, 16-17)
	56040962	1	Instruction Sheet
1	56507239	1	Tilt Steering Option (includes items 7-12)
2	56107699	1	Plate-Tilt Steering Assy
3	56507360	1	Hose, Hydraulic
4	56507361	1	Hose, Hydraulic
5	56507362	1	Hose, Hydraulic
6	56507363	1	Hose, Hydraulic
7	7-16-07428	1	Cover, Steering Wheel
9	56003729	4	Scr, Soc Hd But 3/8-16 x 0.75
10	56009218	1	Wsh, Flt .688 x 1.250 x 0.125
11	56418460	1	Steering Wheel
12	56508224	1	Steering Unit Assembly (includes items 13-15)
13	7-70-05207	1	Column, Tilt
14	56003425	4	Scr, Soc SS M6-1 X 14mm
15	56508096	1	Steering Control Unit
16	56001818	1	Scr, Pan Phil 8-32 x .38
17	56508923	1	Tab-Quick Connect .187 x #8







Nilfisk-Advance Equipamentos de Limpeza Ltda.  
Av. Dep. Emílio Carlos, 2.499 - Bairro do Limão - 02721-200  
São Paulo - SP - Brasil  
[www.nilfisk-advance.ind.br](http://www.nilfisk-advance.ind.br)  
[www.plataforma.ind.br](http://www.plataforma.ind.br)  
Tel.: (11) 3959-0300  
Fax: (11) 3959-0306  
©2014 Nilfisk-Advance, Inc.



14600 21st Avenue North  
Plymouth, MN 55447-3408  
[www.advance-us.com](http://www.advance-us.com)  
Phone: 800-989-2235  
Fax: 800-989-6566  
©2014 Nilfisk-Advance, Inc.

---

**A Nilfisk-Advance Brand**