



Electronic Service Manuals

This electronic document is provided as a service to our customers. We do not create the contents of the information contained in this document. Should you have detailed questions pertaining to the information contained in this document, you may contact Michco, or the manufacturer which provided the original information in this electronic deliverable. Michco's only part in this electronic deliverable was the electronic assembly process. By providing this manual on line we are not guaranteeing parts availability.

You may contact Michco through the following methods:

Phone (517) 484-9312 or (800) 331-3339

2011 N. High St. -- Lansing, Michigan -- 48906

Fax: (517) 484-9836

Email: CustServe@Michco.com

Web site: www.Michco.Com

Parts Web site: www.FloorMachineParts.Com

Order Parts on Line at:

www.FloorMachineParts.Com

Directly to Parts & Service:

By Email: **Shop@Michco.com**

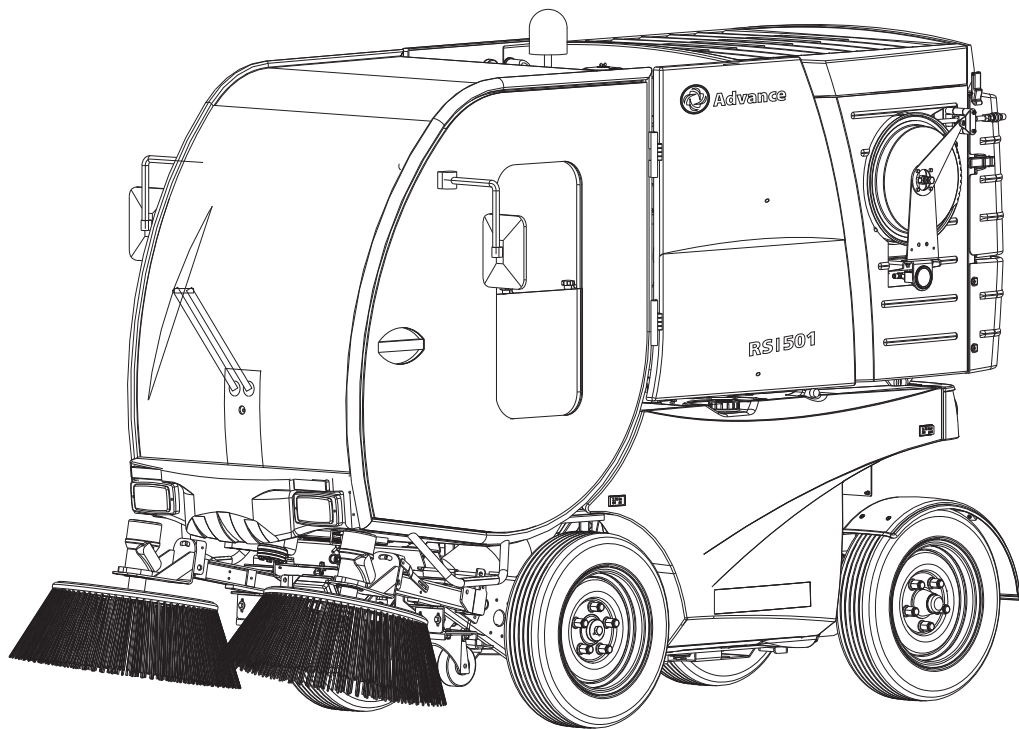
By Fax: (517) 702-2041

By Voice: Use numbers above.

Serving the Cleaning Industry Since 1922

Notice: All copyrighted material remains property of original owners, all trademarks are property of respective owners. Manuals are subject to Manufacturer's reproduction limitations. Originals or reproductions were provided by manufacturers through a request. We make no warranty as to the correctness of information provided in this document and you assume all risk. By placing these manuals on line we are not declaring our corporation to be an manufacturer authorized dealer or provider, please check our web site for authorized manufacturers we represent.

RS 501



PARTS LIST

Advance model: 13300154

GB

Page

MACHINE LAYOUT	4 - 5
CABIN	6 - 13
BONNETS	14 - 15
BRAKE	16 - 17
REAR AXLE	18 - 19
WATER SYSTEM	20 - 33
DECALS	34 - 35
TURBINE	36 - 37
SUCTION HEAD	38 - 41
FLAP	42 - 43
FILTERS AND DRAINAGE	44 - 47
HYDRAULIC POWER STERRING	48 - 49
HYDRAULIC SYSTEM	50 - 78
MOTOR WHEEL	74 - 77
ELECTRIC SYSTEM	78 - 89
HEATING	90 - 95
HOPPER	96 - 97
SUCTION PIPE	98 - 99
AUTOLIFT	100 - 101
TANK	102 - 103
ENGINE KUBOTA V1505T	104 - 107

WHEN ORDERING PARTS

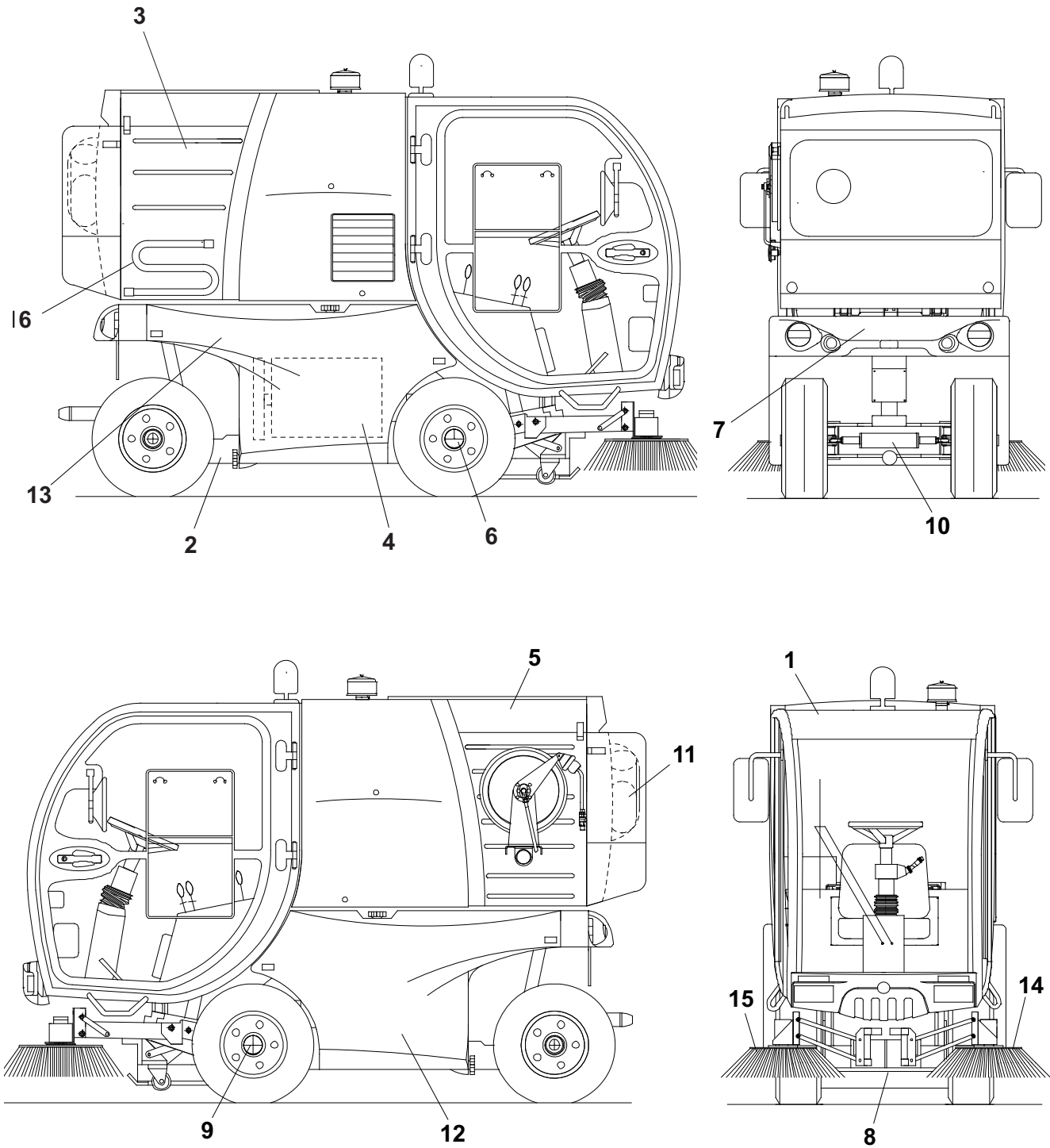
- * Use the 8, 9 or 10 digit numbers from the "Ref. No." columns in this parts list.
- * Specify the model and serial number of the machine.
- * Use the space below to record the model and serial number for future reference.

Model _____ Serial No. _____

*** = Optional**

= Modified item No. or New item No.

0 = Not shown



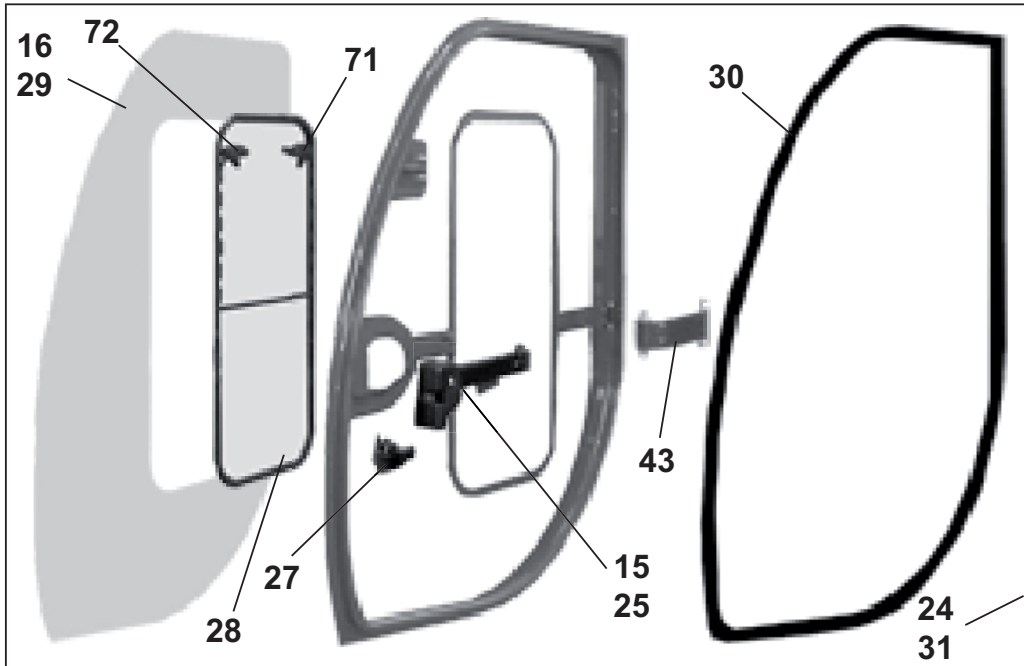
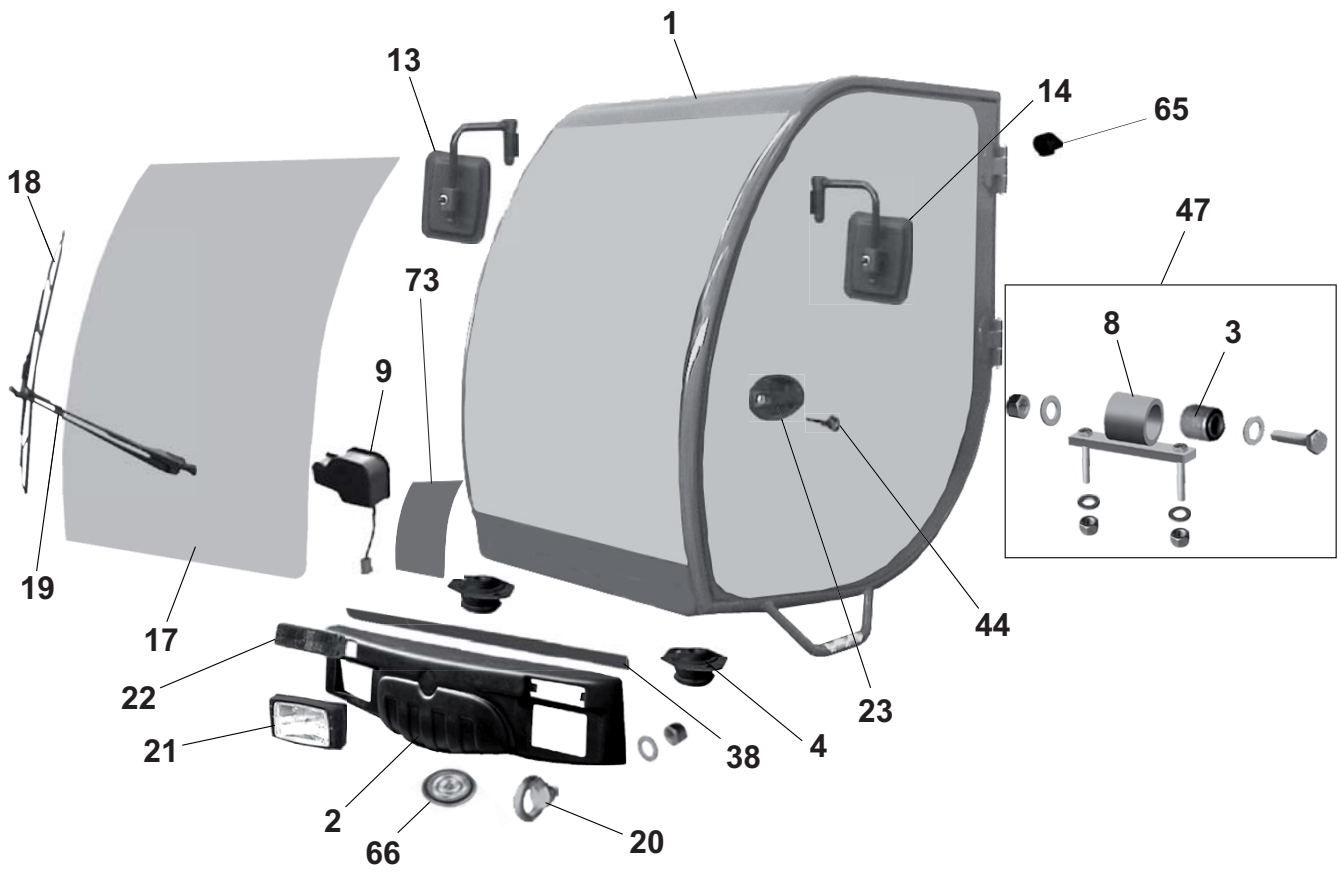
2009-04	MACHINE LAYOUT	BOOK F		
2012-05	RS 501	F		5

Item	Ref. No.	Qty	Description
1	33014715	1	CABIN
2	33018393	1	CHASSIS
3	33015094	1	HOPPER INOX
4	33018412	1	ENGINE KUBOTA V1505T
5	33015467	1	FAN
6	33013032	1	MOTOR WHEEL P1G 175CC RIGHT
6A#	33022308	1	KIT MOTOR WHEEL
7	33014501	1	BUMPER ROTOMOLDED
8	33018398	1	SUCTION HEAD
9	33013033	1	MOTOR WHEEL P1G 175CC LEFT
9A#	33022308	1	KIT MOTOR WHEEL
10	33014267	1	REAR AXLE
11	33018580	1	HOSE SUCTION
12	33014502	1	TANK ROTOMOLDED WATER LEFT
13	33014503	1	RIGHT WATER TANK ASSY
14	33015430	1	BROOM SIDE PPL+STEEL D720
15	33015430	1	BROOM SIDE PPL+STEEL D720
16	33019580	1	WATER DRAIN HOSE

A: Please verify the model on the motorwheel before placing an order

33019744(2)2012-05

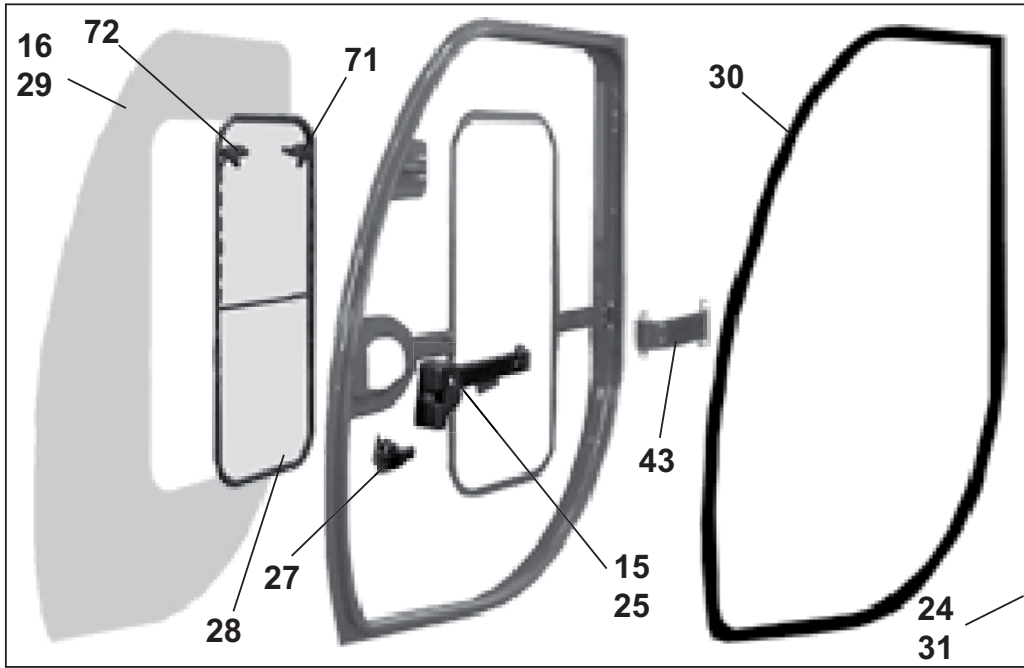
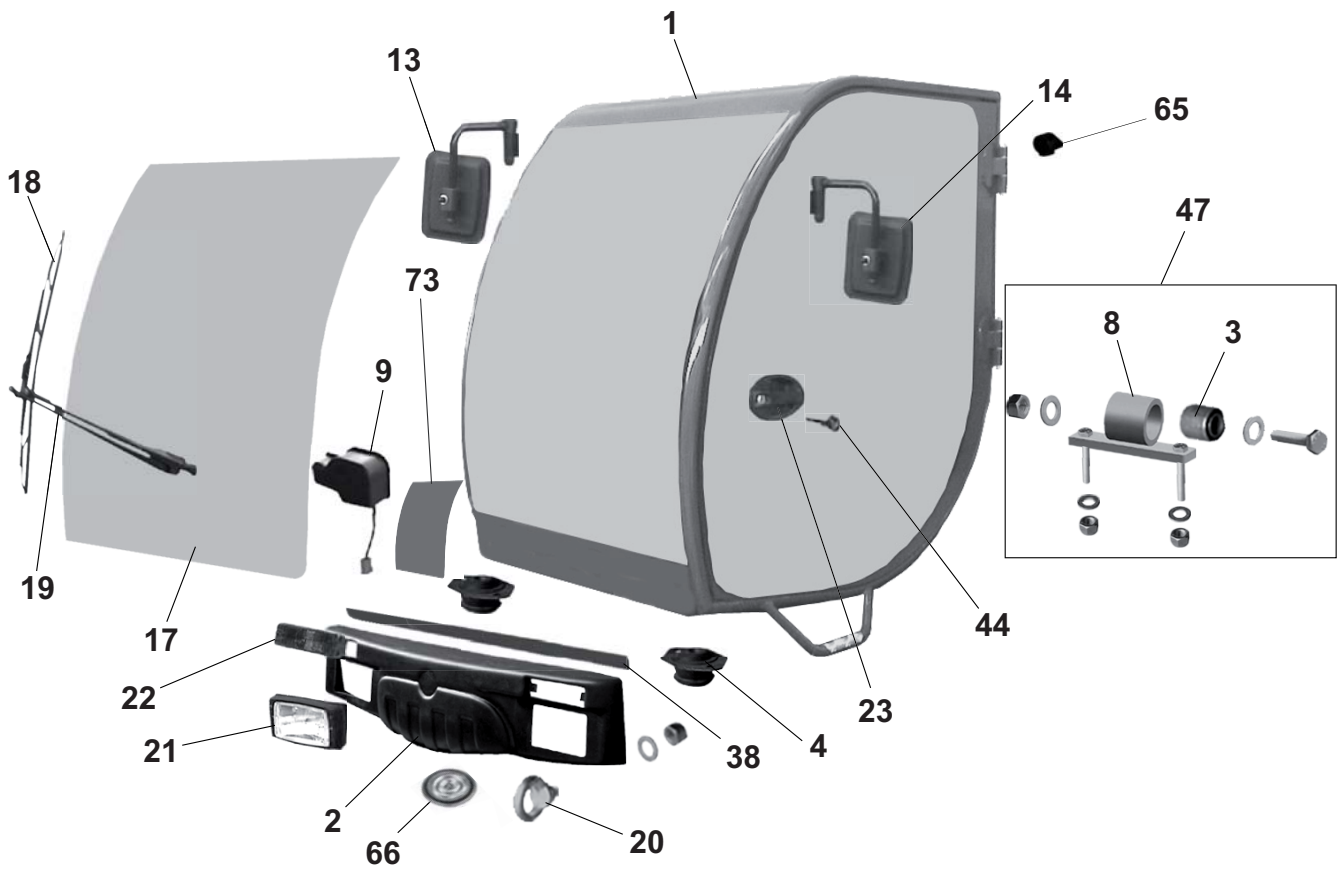
BOOK F		CABIN	2009-04
6	F	RS 501	2012-05



2009-04	CABIN	BOOK F		
2012-05	RS 501	F		7

Item	Ref. No.	Qty	Description
1	33014715	1	CABIN
2	33002336	1	NOSE CONE
3	33003150	1	VIBRATION -DAMPING
4	33003135	2	VIBRATION -DAMPING
5	33009187	1	LAMP 12V 10W
6	33018593	1	ROOF LAMP
7	33016975	1	SUPPORT, TANK WINDSCREEN WIPER
8	33013529	1	SUPPORT
9	33015074	1	WINDSCREEN WIPER MOTOR
10	33014287	1	KIT KEYS RS500
11	33015092	1	1KG FIRE EXTINGUISHER KIT
12	33015472	1	KIT ADJUSTABLE BROOM SPEED
13A	33015069	1	RIGHT MIRROR
13B	33022087	1	RIGHT MIRROR KIT
14A	33015070	1	LEFT MIRROR
14B	33022088	1	LEFT MIRROR KIT
15	33015079	1	KEY-LOCKER LEFT
16	33014716	1	LEFT DOOR WINDOW
17	33014718	1	WINDSCREEN
18	33015072	1	WIPER BROOM
19	33015073	1	WINDSCREEN WIPER ARM
20	33007638	1	EYEBOLT M20
21	33008801	2	HEADLIGHT ASSY.FRONT
22	33009071	2	INDICATOR FRONT
23	33014719	2	EXTERNAL HANDLE
24	33015076	1	DOOR RIGHT COMPLETE
25	33015080	1	KEY-LOCKER RIGHT
26	33015086	1	TANK WINDSCREEN WIPER
27	33015078	2	LOCK STRIKER
28	33015081	1	SLIDING WINDOW
29	33014717	1	RIGHT DOOR WINDOW
30	33015082	1	GASKET DOOR RABBET
31	33015075	1	DOOR LEFT COMPLETE
32	33014763	1	PLATE
33	33009603	1	SEAT WITH BELT
34	33015168	1	CIGARETTE LIGHTER
35	L08812587	2	CLAMP 4,8X430 WHITE
36	33015089	1	RIGHT DOOR
37	33015088	1	LEFT DOOR
38	33015426	1	SEAL 30X15 L.890
39	33014346	1	UNDERSEAT
40	33002340	1	WINDOW
41	33002345	1	GRATING
42	33015087	1	MAT
43	33015077	2	STRAP
44	33015300	1	KEY
45	145 0461 000	2	WING NUT M6
46	33015425	1	SEAT COMFORT
47	33015071	1	KIT CABINE SUPPORT
48	33015228	1	PIPE 4X8 L=3000
49	33015083	1	ASH-TRAY
50	33015085	1	SUNSHADE
51	33015084	1	DOCUMENTS HOLDER
52	33014799	1	OBJECTS HOLDER
53	33019773	1	KIT COMFORT SEAT
54	33018194	1	KIT HYDRAULIC JACK
55	33009531	2	HINGE
56	33000738	2	SPRING
57	33017923	2	KNOB M8X45
58	33018193	1	SUPPORT HYDRAULIC JACK
59	33018192	1	PLATE HYDRAULIC JACK
60	33012125	1	1KG FIRE EXTINGUISHER
61	33009596	1	SEAT CUSHION
62	33015635	1	SWITCH FLAP
63	33015636	1	CAP, SWITCH PROTECTION
64	33015637	1	KIT SWITCH + CAP
65	33008410	1	BIPOLAR SOCKET
66	145 3801 000	1	HORN

BOOK F		CABIN		2009-04
8	F	RS 501		2012-05



2009-04	CABIN	BOOK F		
2012-05	RS 501	F		9

Item	Ref. No.	Qty	Description
67	33017685	1	LEVER WITH BLOCK
68	33003422	1	CLAMP D2.2
69	33003416	1	CLAMP D2.5
70	33015271	1	ACCELERATOR THREAD L=2100
71#	33021654	1	RIGHT HANDLE
72#	33021656	1	LEFT HANDLE
73#	33021512	1	PLATE

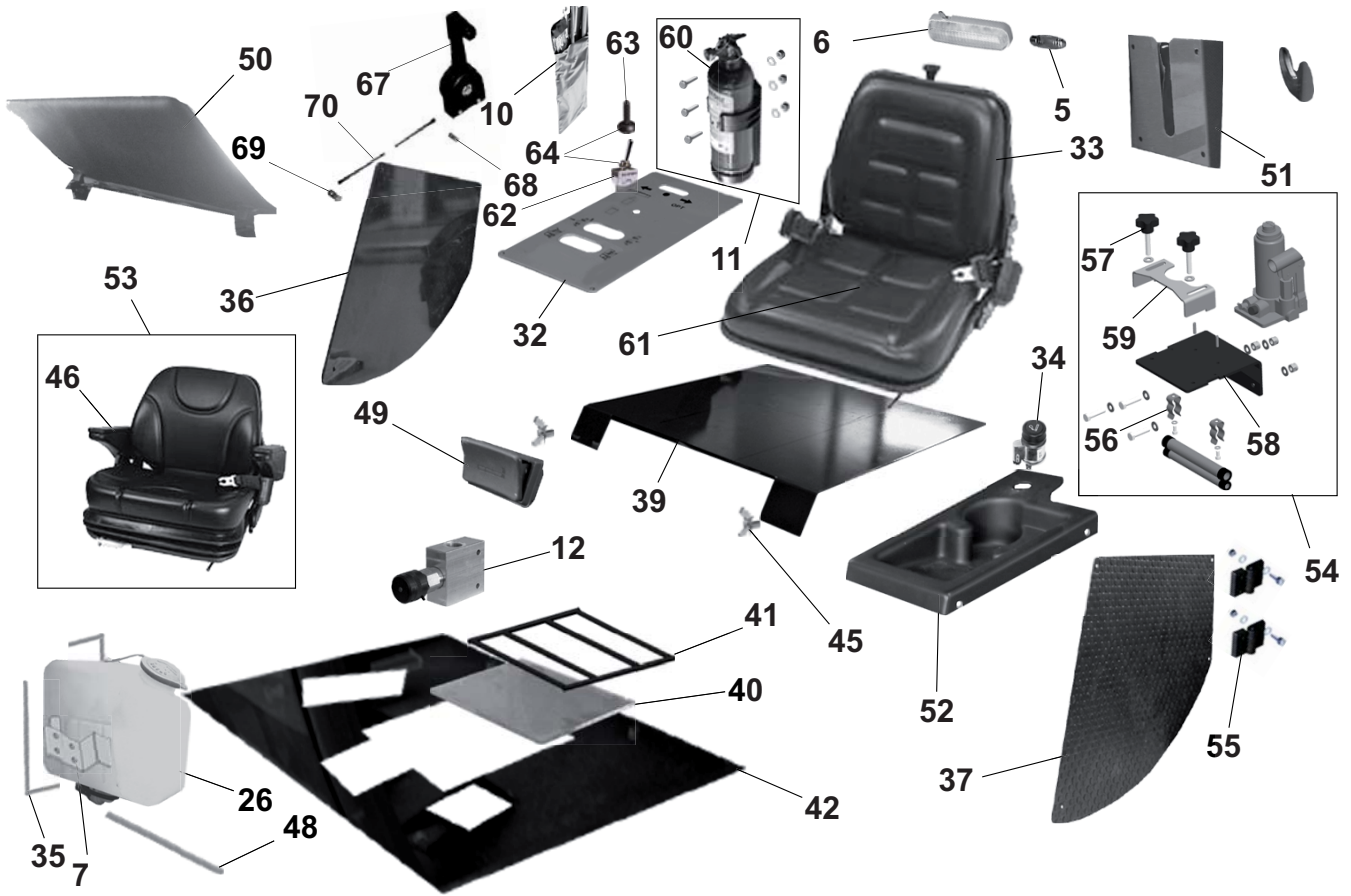
BOOK F		CABIN	2009-04
10	F	RS 501	2012-05



2009-04	CABIN	BOOK F		
2012-05	RS 501	F		11

Item	Ref. No.	Qty	Description
1	33014715	1	CABIN
2	33002336	1	NOSE CONE
3	33003150	1	VIBRATION -DAMPING
4	33003135	2	VIBRATION -DAMPING
5	33009187	1	LAMP 12V 10W
6	33018593	1	ROOF LAMP
7	33016975	1	SUPPORT, TANK WINDSCREEN WIPER
8	33013529	1	SUPPORT
9	33015074	1	WINDSCREEN WIPER MOTOR
10	33014287	1	KIT KEYS RS500
11	33015092	1	1KG FIRE EXTINGUISHER KIT
12	33015472	1	KIT ADJUSTABLE BROOM SPEED
13A	33015069	1	RIGHT MIRROR
13B	33022087	1	RIGHT MIRROR KIT
14A	33015070	1	LEFT MIRROR
14B	33022088	1	LEFT MIRROR KIT
15	33015079	1	KEY-LOCKER LEFT
16	33014716	1	LEFT DOOR WINDOW
17	33014718	1	WINDSCREEN
18	33015072	1	WIPER BROOM
19	33015073	1	WINDSCREEN WIPER ARM
20	33007638	1	EYEBOLT M20
21	33008801	2	HEADLIGHT ASSY.FRONT
22	33009071	2	INDICATOR FRONT
23	33014719	2	EXTERNAL HANDLE
24	33015076	1	DOOR RIGHT COMPLETE
25	33015080	1	KEY-LOCKER RIGHT
26	33015086	1	TANK WINDSCREEN WIPER
27	33015078	2	LOCK STRIKER
28	33015081	1	SLIDING WINDOW
29	33014717	1	RIGHT DOOR WINDOW
30	33015082	1	GASKET DOOR RABBET
31	33015075	1	DOOR LEFT COMPLETE
32	33014763	1	PLATE
33	33009603	1	SEAT WITH BELT
34	33015168	1	CIGARETTE LIGHTER
35	L08812587	2	CLAMP 4,8X430 WHITE
36	33015089	1	RIGHT DOOR
37	33015088	1	LEFT DOOR
38	33015426	1	SEAL 30X15 L.890
39	33014346	1	UNDERSEAT
40	33002340	1	WINDOW
41	33002345	1	GRATING
42	33015087	1	MAT
43	33015077	2	STRAP
44	33015300	1	KEY
45	145 0461 000	2	WING NUT M6
46	33015425	1	SEAT COMFORT
47	33015071	1	KIT CABINE SUPPORT
48	33015228	1	PIPE 4X8 L=3000
49	33015083	1	ASH-TRAY
50	33015085	1	SUNSHADE
51	33015084	1	DOCUMENTS HOLDER
52	33014799	1	OBJECTS HOLDER
53	33019773	1	KIT COMFORT SEAT
54	33018194	1	KIT HYDRAULIC JACK
55	33009531	2	HINGE
56	33000738	2	SPRING
57	33017923	2	KNOB M8X45
58	33018193	1	SUPPORT HYDRAULIC JACK
59	33018192	1	PLATE HYDRAULIC JACK
60	33012125	1	1KG FIRE EXTINGUISHER
61	33009596	1	SEAT CUSHION
62	33015635	1	SWITCH FLAP
63	33015636	1	CAP, SWITCH PROTECTION
64	33015637	1	KIT SWITCH + CAP
65	33008410	1	BIPOLAR SOCKET
66	145 3801 000	1	HORN

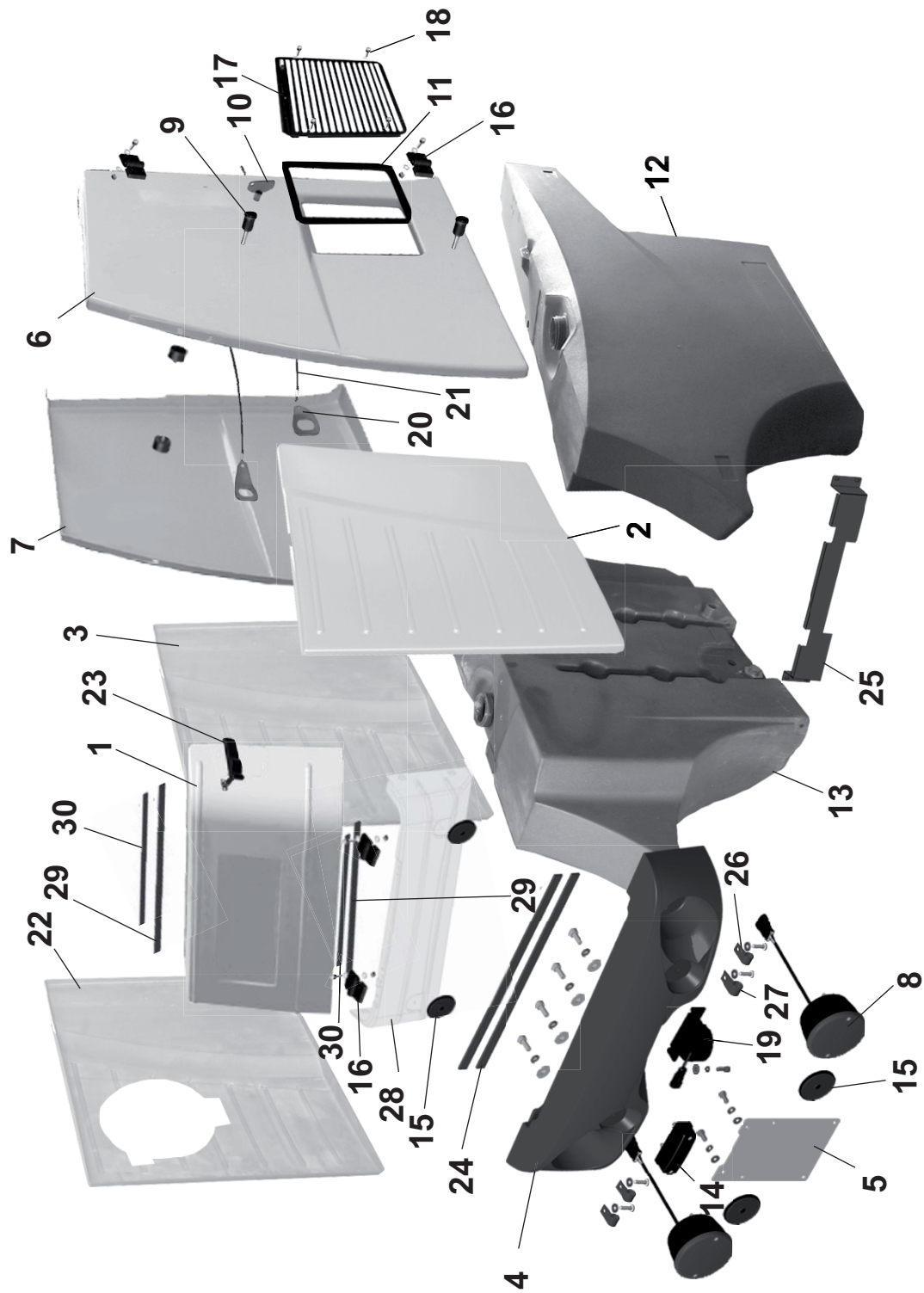
BOOK F		CABIN	2009-04
12	F	RS 501	2012-05



2009-04	CABIN	BOOK F		
2012-05	RS 501	F		13

Item	Ref. No.	Qty	Description
67	33017685	1	LEVER WITH BLOCK
68	33003422	1	CLAMP D2.2
69	33003416	1	CLAMP D2.5
70	33015271	1	ACCELERATOR THREAD L=2100
71#	33021654	1	RIGHT HANDLE
72#	33021656	1	LEFT HANDLE
73#	33021512	1	PLATE

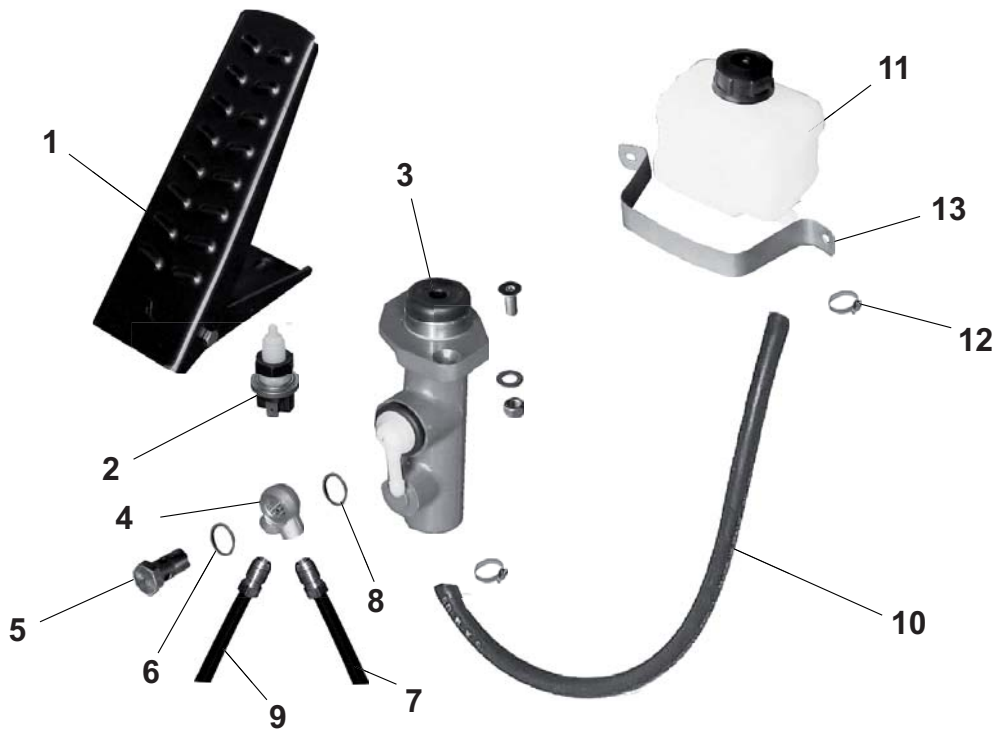
BOOK F		BONNETS	2009-04
14	F	RS 501	2012-05



2009-04	BONNETS	BOOK F		
2012-05	RS 501	F		15

Item	Ref. No.	Qty	Description
1	33018572	1	BONNET UPPER
2	33015459	1	RIGHT CASE
3	33015460	1	LEFT CASE
4	33014501	1	BUMPER ROTOMOLDED
5	33014952	1	PLATE HOLDER
6	33002330	1	RIGHT DOOR
7	33002331	1	LEFT DOOR
8	33014949	2	BACK H-LIGHT
9	33009530	4	COMPRESSION LOCKING
10	33009532	1	KEY
11	33015265	1	SEAL L=1200
12	33014503	1	RIGHT WATER TANK ASSY
13	33014502	1	TANK ROTOMOLDED WATER LEFT
14	33008804	1	LIGHT F/LICENCE PLATE
15	33008832	4	REFLEX REFLECTOR
16	33009531	6	HINGE
17	33015307	1	CASE RADIATOR PROTECTION
18	33003382	6	RIVET D4
19	33014950	1	BUZZER 12V
20	33013527	2	PLATE
21	33002634	2	CABLE
22	33015461	1	LEFT CASE WITH H.P.
23	146 1263 000	2	LEVER HOOK
24	146 1345 000	2	GASKET 20X5 L=1124
25	33019008	1	RADIATOR CLOSING
26	L08193000	3	CLAMP CABLE
27	L08603845	1	CLAMP
28	33020901	1	BONNET LOWER KIT
29	33018574	2	PLATE
30#	33015868	1	GASKET KIT L=1940

BOOK F		BRAKE		2009-04
16	F	RS 501		



2009-04

BRAKE

BOOK F

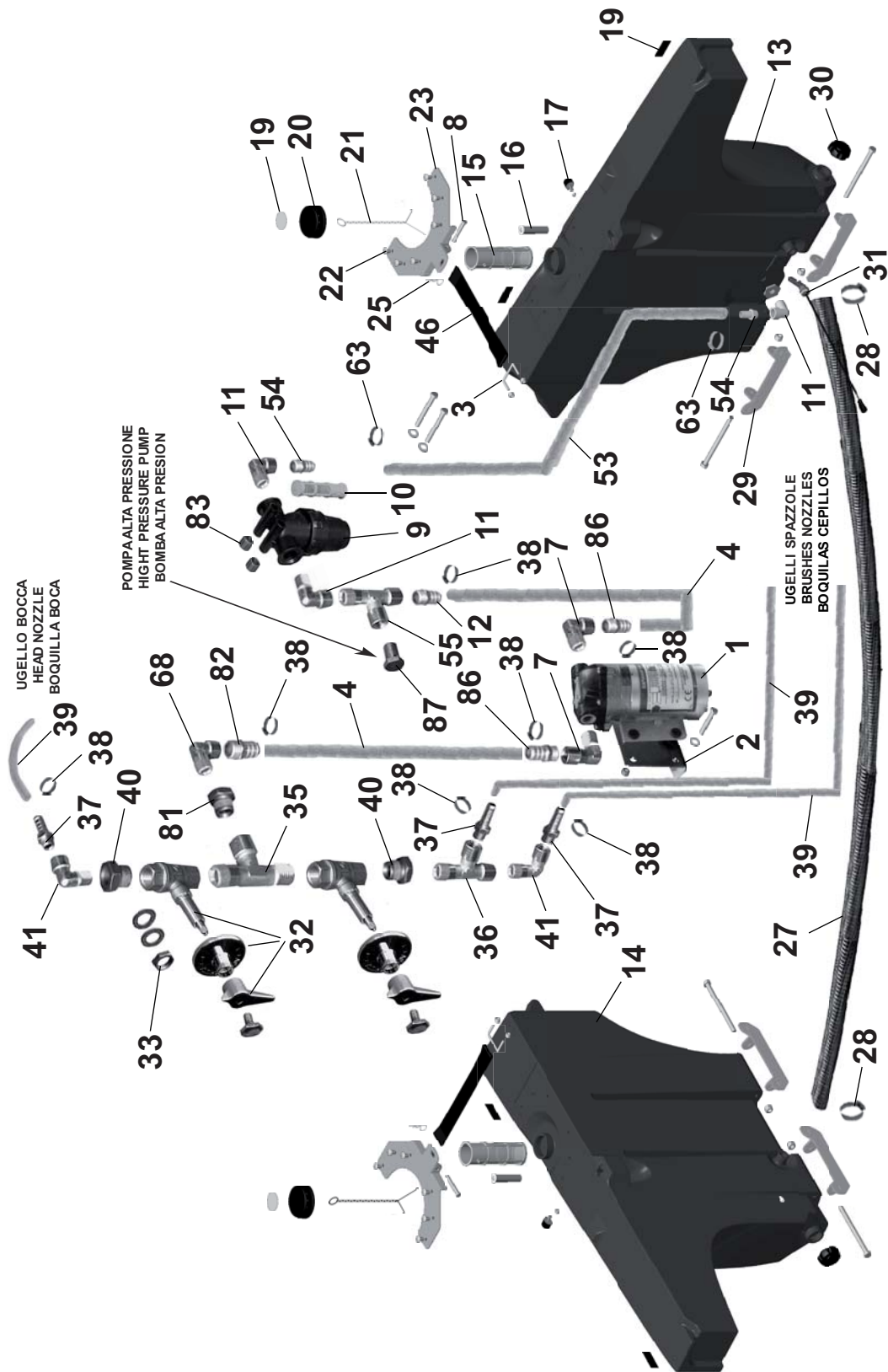
RS 501

F

17

Item	Ref. No.	Qty	Description
1	33009628	1	BRAKE PEDAL
2	33008740	1	MICROSWITCH F/STOPLIGHT
3	33009629	1	PUMP
4	33008134	1	2 WAY FITTING
5	33011346	1	THROUGH SCREW 12X1,5
6	33011708	1	WASHER 14
7	33010646	1	RIGHT HYDRAULIC HOSE
8	33011710	1	WASHER 12
9	33010645	1	LEFT HYDRAULIC HOSE
10	33015233	1	PIPE 7X13
11	33009571	1	BRAKE OIL TANK
12	33003493	2	CLAMP 8-16
13	33009572	1	TANK CLAMP

Item	Ref. No.	Qty	Description
1	33012914	1	PLATE
2	33003271	1	OIL GUARD 50X80
3	33003186	1	BEARING SKF 33109
4	33012559	1	CENTRAL PART
5	33012974	4	COVER
6	33003173	4	JOINT
7	33009848	1	BUFFER PAD
8	33018587	1	BUMPER
9	33015452	2	TYRE 165/70 R14
10	146 2023 000	2	NUT LOW M18X1.5
11	33015451	2	RIM R14 JX14 H2
12	33003082	2	STERRING HEAD M18X1.5
13	33002551	2	JOINT M20/M18
14	33017656	1	CYLINDER HYDRAULIC
15	33003187	1	BEARING 30207
16	33015396	1	WASHER
17	33005746	1	CASTELLATED NUT M30
18	33005804	1	SPLIT PIN 5X80
19	33013379	1	FLANGE
20	33003272	2	SEAL 45X85X2
21	33003179	2	BEARING 30209
22	146 0090 00	2	NIPPLE 1/4" - D12
23	33009644	2	HUB
24	33014267	1	REAR AXLE
25	33014776	10	NUT COLUMN M16X1.5
26	33007650	10	COLUMN M16X1.5X45
27	33003180	2	BEARING 30206
28	33005665	2	CASTELLATED NUT M24X2
29	33005791	2	SPLIT PIN 4X45
30	33011563	2	PLUG D62
31	33017929	1	GASKET KIT F/CYLINDER
32	33014072	4	LUBRICATOR M8 45°
33	33003158	20	WASHER 32X45X0.1
34	33012919	1	RIGHT WHEEL HUB
35	33012920	1	LEFT WHEEL HUB
36	33015431	2	WHEEL 165/70 R14 89Q



2009-04

WATER SYSTEM

BOOK F

2012-05

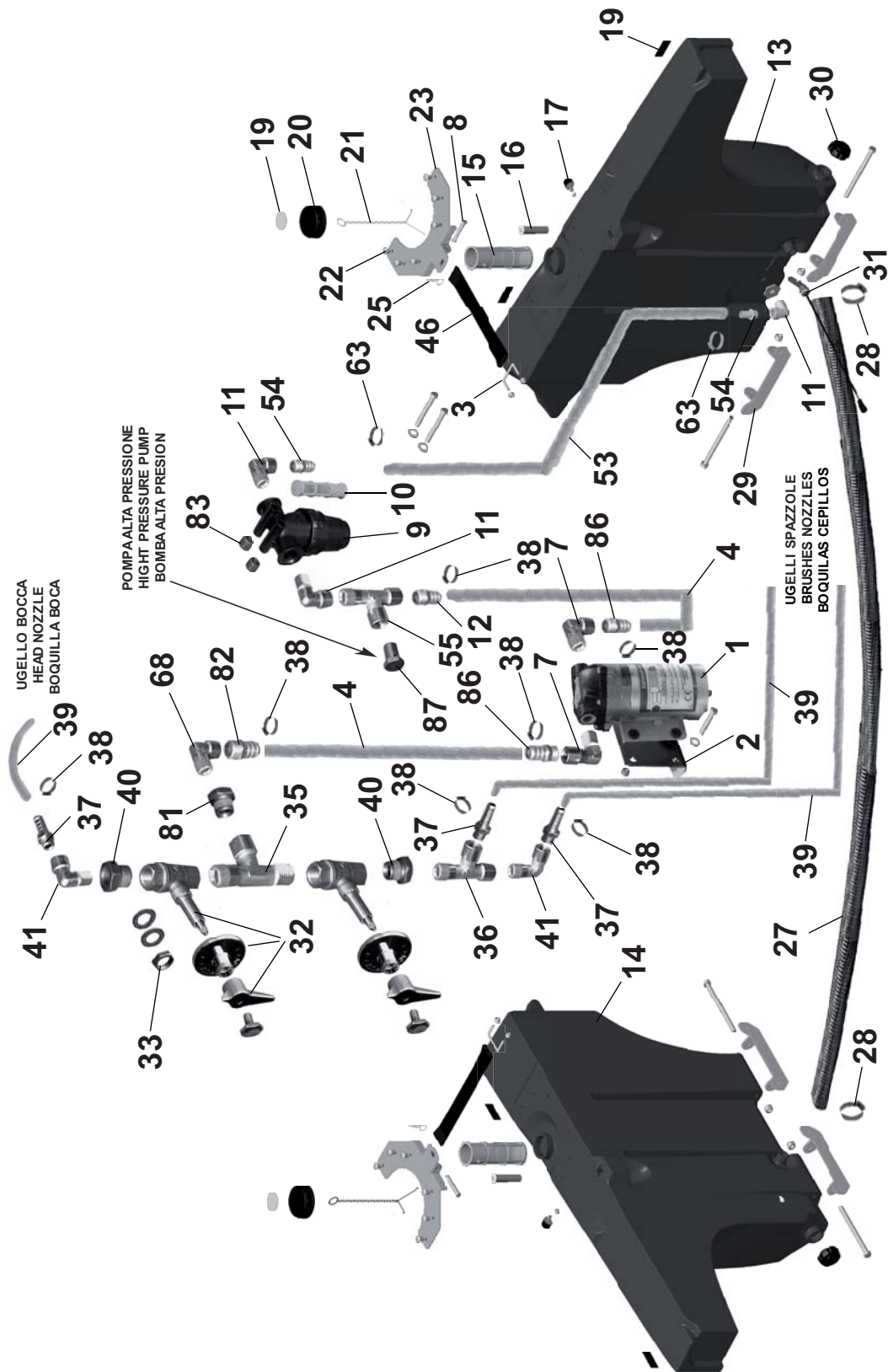
RS 501

F

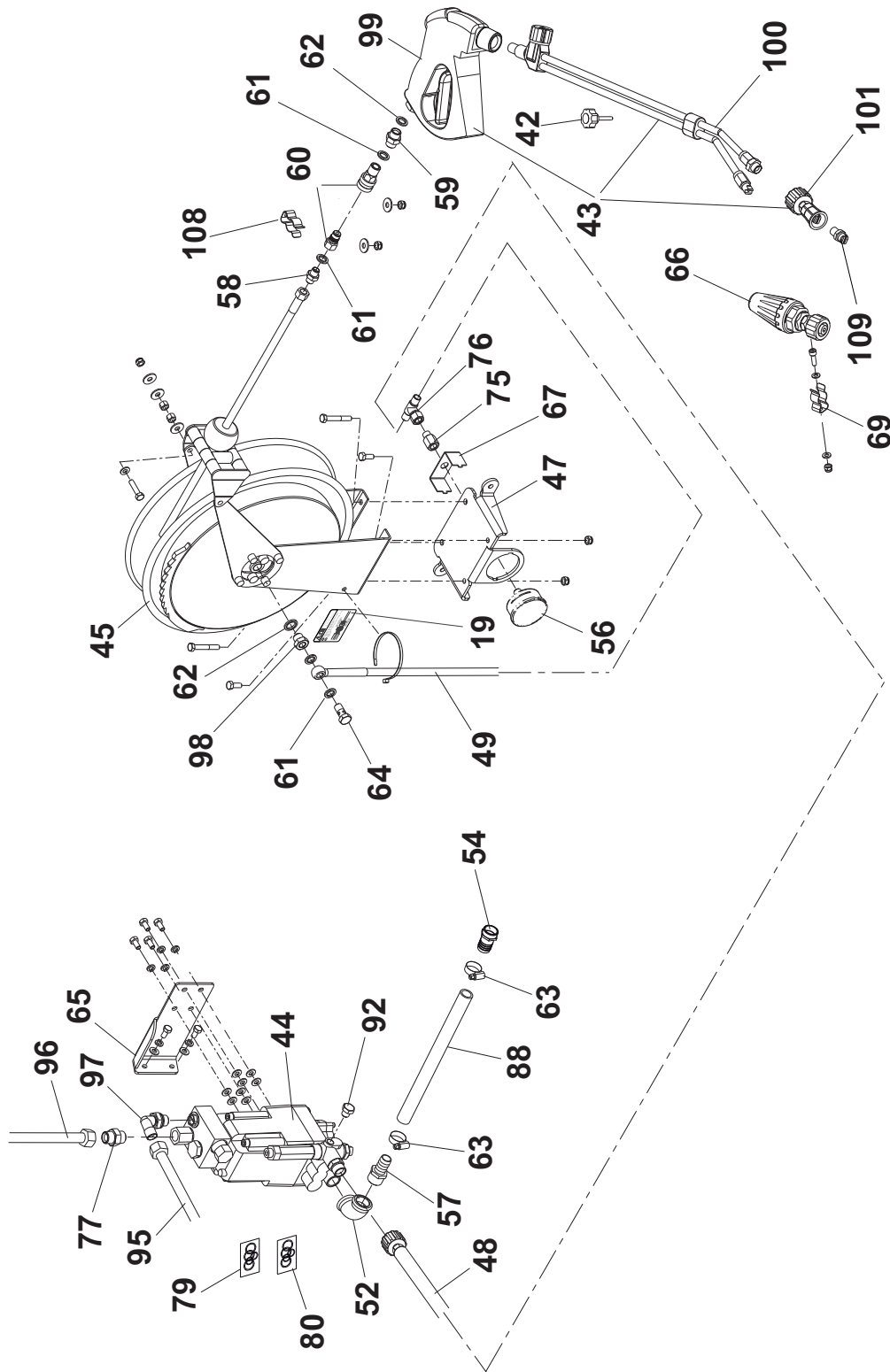
21

Item	Ref. No.	Qty	Description
1	33014945	1	WATER PUMP
2	33013489	1	SUPPORT
3	33014933	2	STRAP
4	33015230	1	PIPE 12X18
5	33015515	1	HOSE-GUIDE
6	33018707	1	KIT PISTONS
7	33011309	2	FITTING 3/8"
8	33014954	2	PIN
9	33010230	1	FILTER WATER
10	33010231	1	FILTER WATER
11	33011394	3	FITTING MF 1/2"
12	33011515	1	HOSETAIL 1/2" D12
13	33014503	1	RIGHT WATER TANK ASSY
14	33014502	1	TANK ROTOMOLDED WATER LEFT
15	33014958	2	FILTER WATER
16	33014728	2	PIN SAFETY
17	33003131	2	VIBRATION -DAMPING
18	33017830	1	SPRING RETAINER
19	33019858	1	KIT DECALS RS502
20	33014962	2	PLUG
21	33014956	2	CHAIN
22	33017829	1	HOSE STOPPER
23	33014959	2	BRACKET TANK
24	33017828	1	LATCH
25	145 4533 000	2	SPLIT PIN D2,5
26	33017827	2	SUPPORT UPPER
27	33015263	1	FLEX PIPE D32 L=1000
28	33003537	2	CLAMP 23-35
29	33014960	4	SUPPORT TANK
30	33014961	2	PLUG
31	33014947	1	FLOAT WATER LEVEL
32	33011678	2	FAST TAP
33	33005463	2	NUT 3/8"
34	33017826	1	PLATE
35	33011343	1	T-FITTING F. M.- M. 1/2"
36	33011262	1	T FITTING FFF 1/8"
37	33011513	3	HOSETAIL 1/8" D6
38	33003493	7	CLAMP 8-16
39	33015229	1	PIPI 6X11
40	33011499	2	REDUCTION GEAR 1/2" - 1/8"
41	33011393	2	FITTING MF 1/8"
42	145 8485 000	1	KNOB M6X35
43#	33021306	1	JET PIPE
44	33010402	1	H.POWER PUMP+REGULATOR
45	33014702	1	ROLLER UP LEFT
46	33014957	2	STRAP
47	33014963	1	SUPPORT ROLLER
48	33015357	1	HYDRAULIC HOSE
49	33014964	1	HYDRAULIC HOSE
50	33014409	1	WATER INLET COVER
51	33017825	1	SUPPORT INSIDE
52	33011376	1	FITTING 3/4"
53	33020823	1	HOSE WIRE RINFORCED 20X27 L=1400
54	33011525	1	HOSETAIL 1/2" D19
55	33011870	1	T-FITTING 1/2"
56	33014575	1	MANOMETER 0-400 BAR
57	33011524	1	HOSETAIL 3/4" D19
58	33011184	1	NIPPLE 1/4"
59	33011205	1	NIPPLE 3/8"-1/4"
60	33015590	1	FITTING QUICK CONNECT 1/4"
61	33011718	4	STEEL/RUBBER WASHER 1/4"
62	33011722	2	STEEL/RUBBER WASHER 3/8"
63	33003495	2	CLAMP 16-27
64	33011254	1	THROUGH SCREW 1/4"
65	33018742	1	SUPPORT WATER PUMP
66#	33021310	1	TURBO NOZZLE
67	33014965	1	BRACKET MANOMETER
68	33011224	1	FITTING 1/4"

33019744(2)2012-05



Item	Ref. No.	Qty	Description
69	33020862	1	SPRING
70	33017824	1	SUPPORT EXTERIOR
71	33017579	1	FLANGE EXTERIOR
72#	33018373	1	BOX SPRING
73	33017820	1	FLANGE EXTERIOR
74	33017578	1	HUB
75	33011355	1	STUD BOLT 1/4" 20MM
76	33011246	1	T-FITTING 1/4"
77	146 0079 00	1	NIPPLE 1/2" - D15
78	33017896	1	KIT WASHING HIGH PRESSURE
79	33011841	1	GASKET KIT
80	33011842	1	GASKET KIT
81	33011500	1	REDUCTION 1/2"-1/4"
82	33011518	1	HOSETAIL 1/4" D12
83	33014932	2	SPACER D9X23
84	33017577	1	SHAFT
85	33017880	1	NIPPLE M22X1,5
86	33011512	2	HOSETAIL 3/8"
87	33011470	1	PLUG 1/2"
88	33020822	1	HOSE WIRE RINFORCED 20X27 L=2200
89	33015966	1	SPRING ROLLER UP
90	33013730	1	GASKET OR 90X2
91	33013691	1	VALVE THERMIC
92	33014967	1	PLUG 1/4"
93	33015965	1	GASKET KIT ROLLER UP
94	33010758	1	HYDRAULIC HOSE L=10MT.
95	33019320	1	HYDRAULIC HOSE 1/2" L=1250
96	33015510	1	HYDRAULIC HOSE
97	33015511	1	FITTING 1/2" D15
98	33011494	1	REDUCTION GEAR MF 3/8" 1/4"
99#	33021307	1	WATER GUN
100#	33021308	1	JET PIPE
101#	330121309	1	NOZZLE COMPLETE
102	33003273	1	GASKET OR 2068
103	33010506	1	LODGING VENT VALVE
104	33018896	1	KIT BREECH
105	33010403	1	HYDRAULIC MOTOR CAM KIT
106	33003262	1	GASKET OR 87X2
107	33011849	1	PISTON RETAINING KIT
108	33000738	1	SPRING
109#	33021182	1	HIGH PRESSURE NOZZLE
110#	33021651	1	OUTLET VALVE KIT
111#	33021652	1	PISTON KIT
112#	33021653	1	SEAL KIT
113#	33021655	1	FIFTH WHEEL KIT
114#	33021650	1	VALVE KIT
115#	33022089	1	O-RING 75,87x2,62 70°Sh
116#	33022203	1	VALVE KIT



2009-04

WATER SYSTEM

BOOK F

2012-05

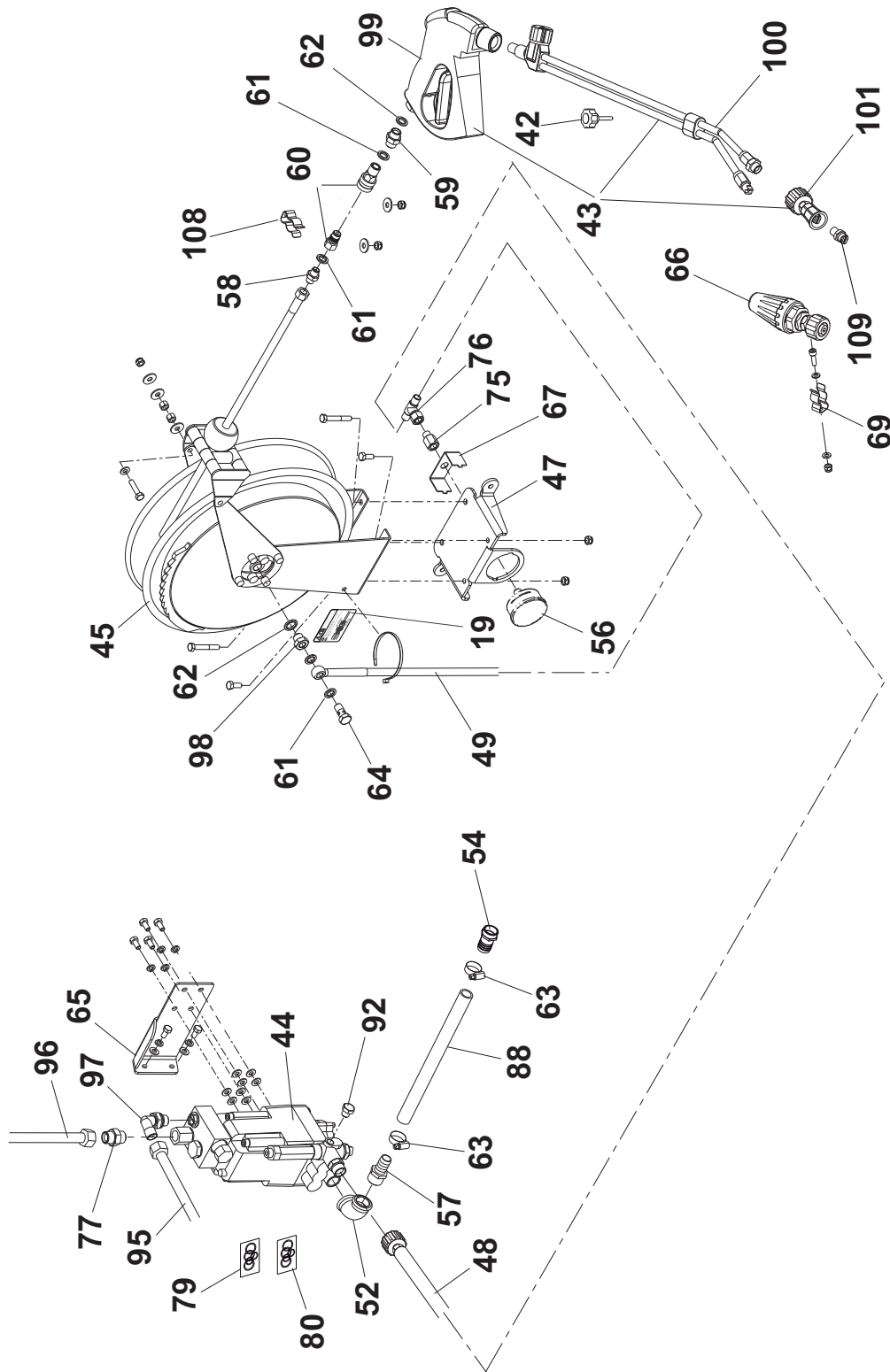
RS 501

F

25

Item	Ref. No.	Qty	Description
1	33014945	1	WATER PUMP
2	33013489	1	SUPPORT
3	33014933	2	STRAP
4	33015230	1	PIPE 12X18
5	33015515	1	HOSE-GUIDE
6	33018707	1	KIT PISTONS
7	33011309	2	FITTING 3/8"
8	33014954	2	PIN
9	33010230	1	FILTER WATER
10	33010231	1	FILTER WATER
11	33011394	3	FITTING MF 1/2"
12	33011515	1	HOSETAIL 1/2" D12
13	33014503	1	RIGHT WATER TANK ASSY
14	33014502	1	TANK ROTOMOLDED WATER LEFT
15	33014958	2	FILTER WATER
16	33014728	2	PIN SAFETY
17	33003131	2	VIBRATION -DAMPING
18	33017830	1	SPRING RETAINER
19	33019858	1	KIT DECALS RS502
20	33014962	2	PLUG
21	33014956	2	CHAIN
22	33017829	1	HOSE STOPPER
23	33014959	2	BRACKET TANK
24	33017828	1	LATCH
25	145 4533 000	2	SPLIT PIN D2,5
26	33017827	2	SUPPORT UPPER
27	33015263	1	FLEX PIPE D32 L=1000
28	33003537	2	CLAMP 23-35
29	33014960	4	SUPPORT TANK
30	33014961	2	PLUG
31	33014947	1	FLOAT WATER LEVEL
32	33011678	2	FAST TAP
33	33005463	2	NUT 3/8"
34	33017826	1	PLATE
35	33011343	1	T-FITTING F. M.- M. 1/2"
36	33011262	1	T FITTING FFF 1/8"
37	33011513	3	HOSETAIL 1/8" D6
38	33003493	7	CLAMP 8-16
39	33015229	1	PIPI 6X11
40	33011499	2	REDUCTION GEAR 1/2" - 1/8"
41	33011393	2	FITTING MF 1/8"
42	145 8485 000	1	KNOB M6X35
43#	33021306	1	JET PIPE
44	33010402	1	H.POWER PUMP+REGULATOR
45	33014702	1	ROLLER UP LEFT
46	33014957	2	STRAP
47	33014963	1	SUPPORT ROLLER
48	33015357	1	HYDRAULIC HOSE
49	33014964	1	HYDRAULIC HOSE
50	33014409	1	WATER INLET COVER
51	33017825	1	SUPPORT INSIDE
52	33011376	1	FITTING 3/4"
53	33020823	1	HOSE WIRE RINFORCED 20X27 L=1400
54	33011525	1	HOSETAIL 1/2" D19
55	33011870	1	T-FITTING 1/2"
56	33014575	1	MANOMETER 0-400 BAR
57	33011524	1	HOSETAIL 3/4" D19
58	33011184	1	NIPPLE 1/4"
59	33011205	1	NIPPLE 3/8"-1/4"
60	33015590	1	FITTING QUICK CONNECT 1/4"
61	33011718	4	STEEL/RUBBER WASHER 1/4"
62	33011722	2	STEEL/RUBBER WASHER 3/8"
63	33003495	2	CLAMP 16-27
64	33011254	1	THROUGH SCREW 1/4"
65	33018742	1	SUPPORT WATER PUMP
66#	33021310	1	TURBO NOZZLE
67	33014965	1	BRACKET MANOMETER
68	33011224	1	FITTING 1/4"

33019744(2)2012-05



2009-04

WATER SYSTEM

BOOK F

2012-05

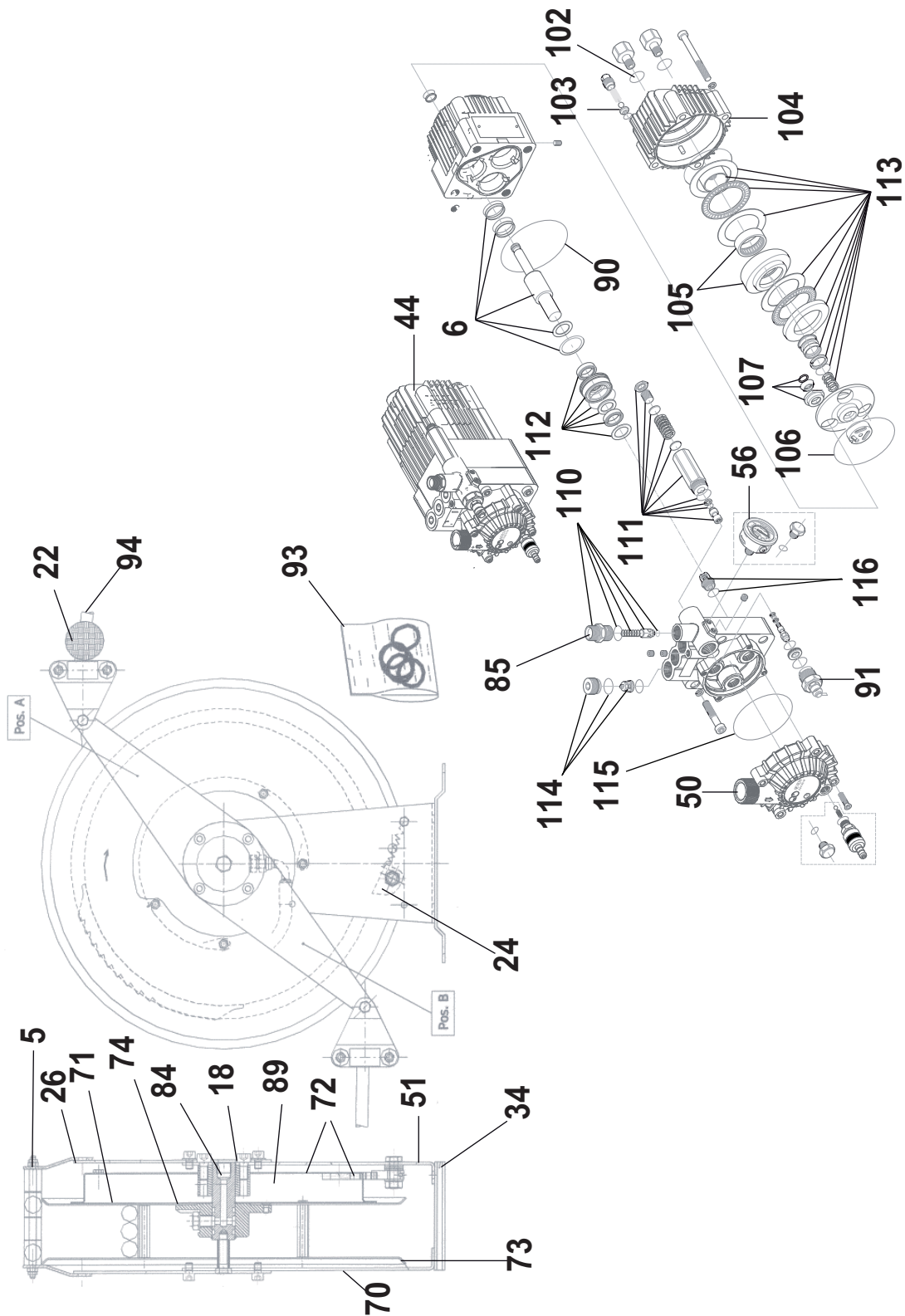
RS 501

F

27

Item	Ref. No.	Qty	Description
69	33020862	1	SPRING
70	33017824	1	SUPPORT EXTERIOR
71	33017579	1	FLANGE EXTERIOR
72#	33018373	1	BOX SPRING
73	33017820	1	FLANGE EXTERIOR
74	33017578	1	HUB
75	33011355	1	STUD BOLT 1/4" 20MM
76	33011246	1	T-FITTING 1/4"
77	146 0079 00	1	NIPPLE 1/2" - D15
78	33017896	1	KIT WASHING HIGH PRESSURE
79	33011841	1	GASKET KIT
80	33011842	1	GASKET KIT
81	33011500	1	REDUCTION 1/2"-1/4"
82	33011518	1	HOSETAIL 1/4" D12
83	33014932	2	SPACER D9X23
84	33017577	1	SHAFT
85	33017880	1	NIPPLE M22X1,5
86	33011512	2	HOSETAIL 3/8"
87	33011470	1	PLUG 1/2"
88	33020822	1	HOSE WIRE RINFORCED 20X27 L=2200
89	33015966	1	SPRING ROLLER UP
90	33013730	1	GASKET OR 90X2
91	33013691	1	VALVE THERMIC
92	33014967	1	PLUG 1/4"
93	33015965	1	GASKET KIT ROLLER UP
94	33010758	1	HYDRAULIC HOSE L=10MT.
95	33019320	1	HYDRAULIC HOSE 1/2" L=1250
96	33015510	1	HYDRAULIC HOSE
97	33015511	1	FITTING 1/2" D15
98	33011494	1	REDUCTION GEAR MF 3/8" 1/4"
99#	33021307	1	WATER GUN
100#	33021308	1	JET PIPE
101#	330121309	1	NOZZLE COMPLETE
102	33003273	1	GASKET OR 2068
103	33010506	1	LODGING VENT VALVE
104	33018896	1	KIT BREECH
105	33010403	1	HYDRAULIC MOTOR CAM KIT
106	33003262	1	GASKET OR 87X2
107	33011849	1	PISTON RETAINING KIT
108	33000738	1	SPRING
109#	33021182	1	HIGH PRESSURE NOZZLE
110#	33021651	1	OUTLET VALVE KIT
111#	33021652	1	PISTON KIT
112#	33021653	1	SEAL KIT
113#	33021655	1	FIFTH WHEEL KIT
114#	33021650	1	VALVE KIT
115#	33022089	1	O-RING 75,87x2,62 70°Sh
116#	33022203	1	VALVE KIT

33019744(2)2012-05



2009-04

WATER SYSTEM

BOOK F

2012-05

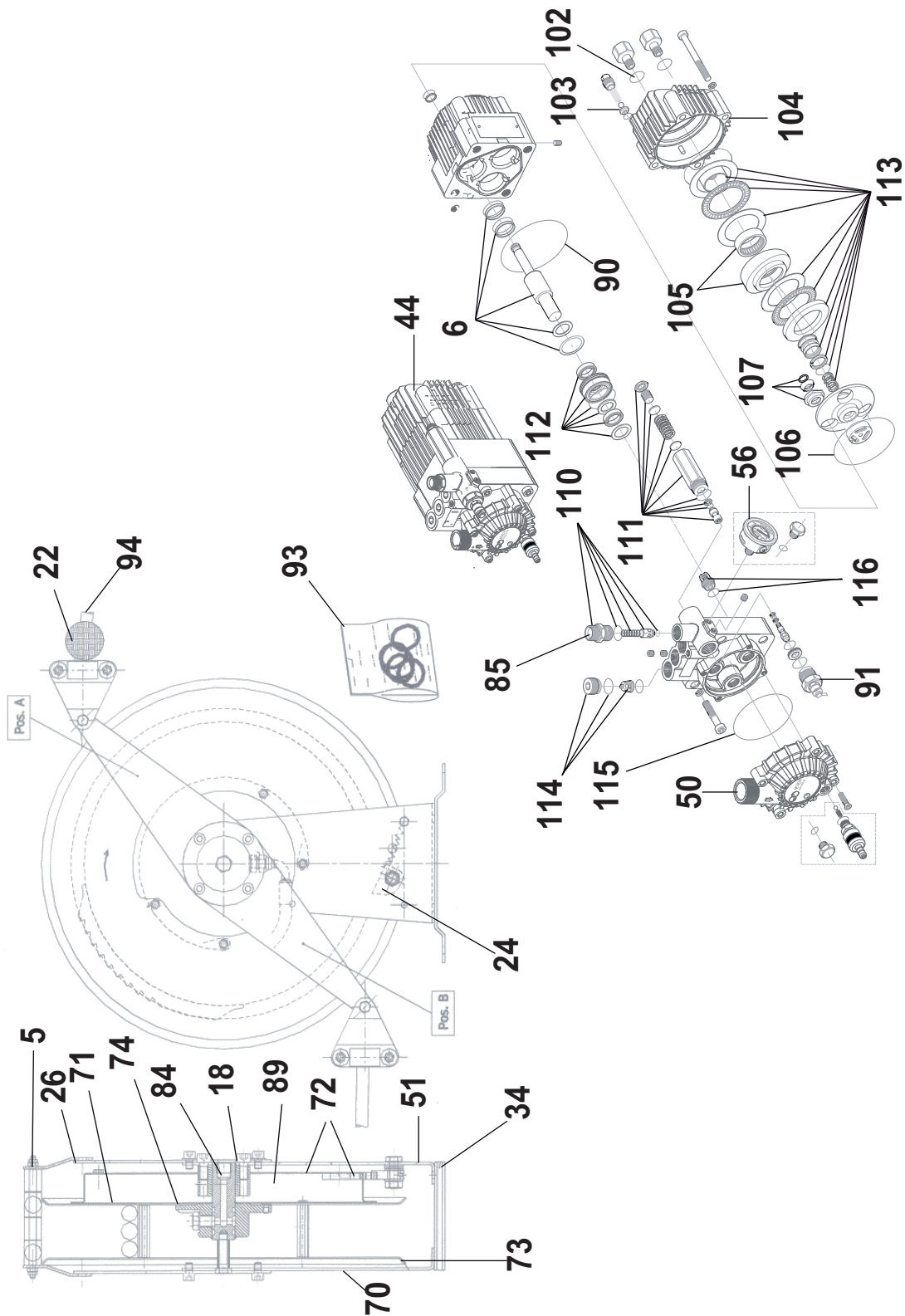
RS 501

F

29

Item	Ref. No.	Qty	Description
1	33014945	1	WATER PUMP
2	33013489	1	SUPPORT
3	33014933	2	STRAP
4	33015230	1	PIPE 12X18
5	33015515	1	HOSE-GUIDE
6	33018707	1	KIT PISTONS
7	33011309	2	FITTING 3/8"
8	33014954	2	PIN
9	33010230	1	FILTER WATER
10	33010231	1	FILTER WATER
11	33011394	3	FITTING MF 1/2"
12	33011515	1	HOSETAIL 1/2" D12
13	33014503	1	RIGHT WATER TANK ASSY
14	33014502	1	TANK ROTOMOLDED WATER LEFT
15	33014958	2	FILTER WATER
16	33014728	2	PIN SAFETY
17	33003131	2	VIBRATION -DAMPING
18	33017830	1	SPRING RETAINER
19	33019858	1	KIT DECALS RS502
20	33014962	2	PLUG
21	33014956	2	CHAIN
22	33017829	1	HOSE STOPPER
23	33014959	2	BRACKET TANK
24	33017828	1	LATCH
25	145 4533 000	2	SPLIT PIN D2,5
26	33017827	2	SUPPORT UPPER
27	33015263	1	FLEX PIPE D32 L=1000
28	33003537	2	CLAMP 23-35
29	33014960	4	SUPPORT TANK
30	33014961	2	PLUG
31	33014947	1	FLOAT WATER LEVEL
32	33011678	2	FAST TAP
33	33005463	2	NUT 3/8"
34	33017826	1	PLATE
35	33011343	1	T-FITTING F. M.- M. 1/2"
36	33011262	1	T FITTING FFF 1/8"
37	33011513	3	HOSETAIL 1/8" D6
38	33003493	7	CLAMP 8-16
39	33015229	1	PIPI 6X11
40	33011499	2	REDUCTION GEAR 1/2" - 1/8"
41	33011393	2	FITTING MF 1/8"
42	145 8485 000	1	KNOB M6X35
43#	33021306	1	JET PIPE
44	33010402	1	H.POWER PUMP+REGULATOR
45	33014702	1	ROLLER UP LEFT
46	33014957	2	STRAP
47	33014963	1	SUPPORT ROLLER
48	33015357	1	HYDRAULIC HOSE
49	33014964	1	HYDRAULIC HOSE
50	33014409	1	WATER INLET COVER
51	33017825	1	SUPPORT INSIDE
52	33011376	1	FITTING 3/4"
53	33020823	1	HOSE WIRE RINFORCED 20X27 L=1400
54	33011525	1	HOSETAIL 1/2" D19
55	33011870	1	T-FITTING 1/2"
56	33014575	1	MANOMETER 0-400 BAR
57	33011524	1	HOSETAIL 3/4" D19
58	33011184	1	NIPPLE 1/4"
59	33011205	1	NIPPLE 3/8"-1/4"
60	33015590	1	FITTING QUICK CONNECT 1/4"
61	33011718	4	STEEL/RUBBER WASHER 1/4"
62	33011722	2	STEEL/RUBBER WASHER 3/8"
63	33003495	2	CLAMP 16-27
64	33011254	1	THROUGH SCREW 1/4"
65	33018742	1	SUPPORT WATER PUMP
66#	33021310	1	TURBO NOZZLE
67	33014965	1	BRACKET MANOMETER
68	33011224	1	FITTING 1/4"

33019744(2)2012-05



2009-04

WATER SYSTEM

BOOK F

2012-05

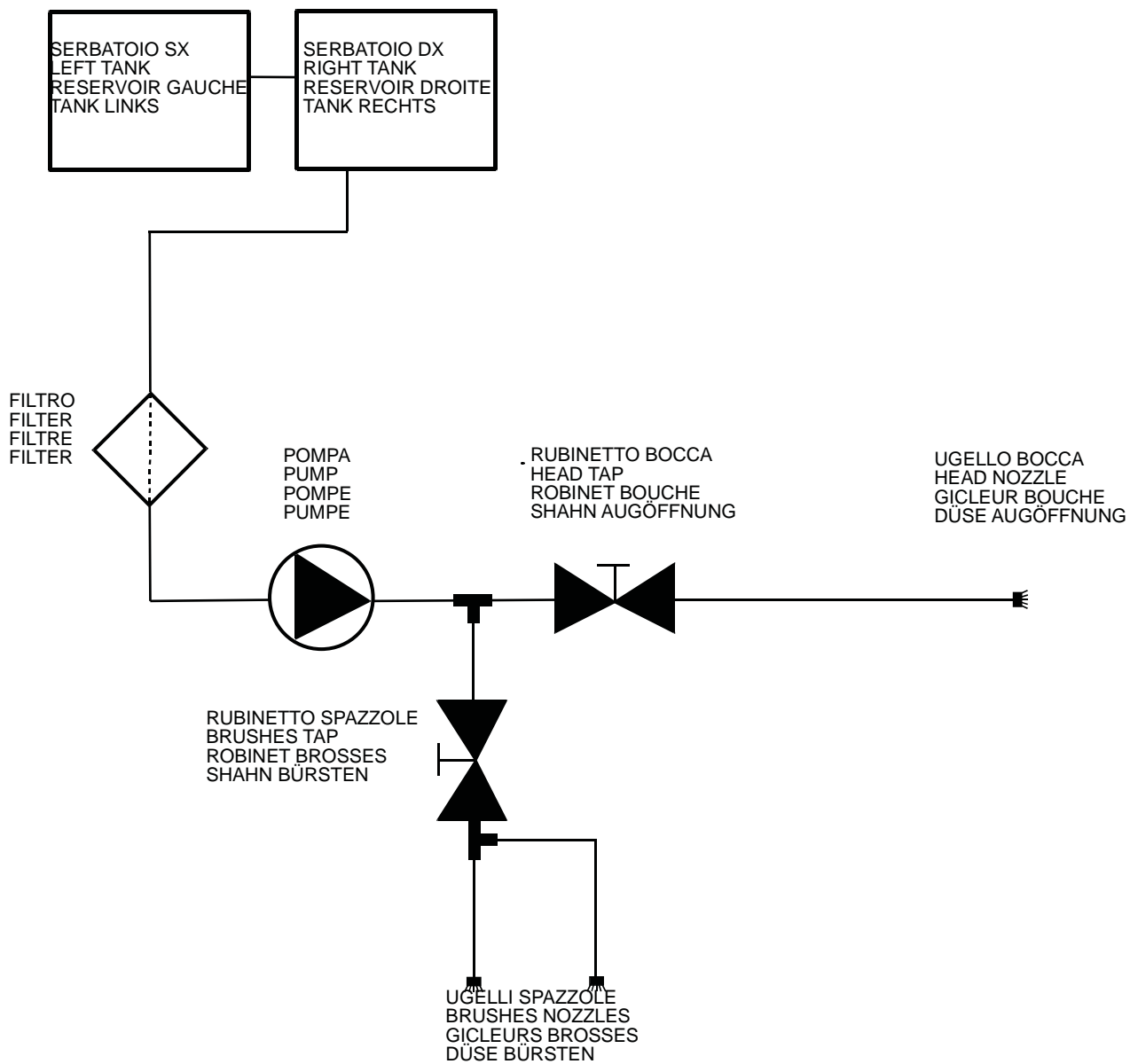
RS 501

F

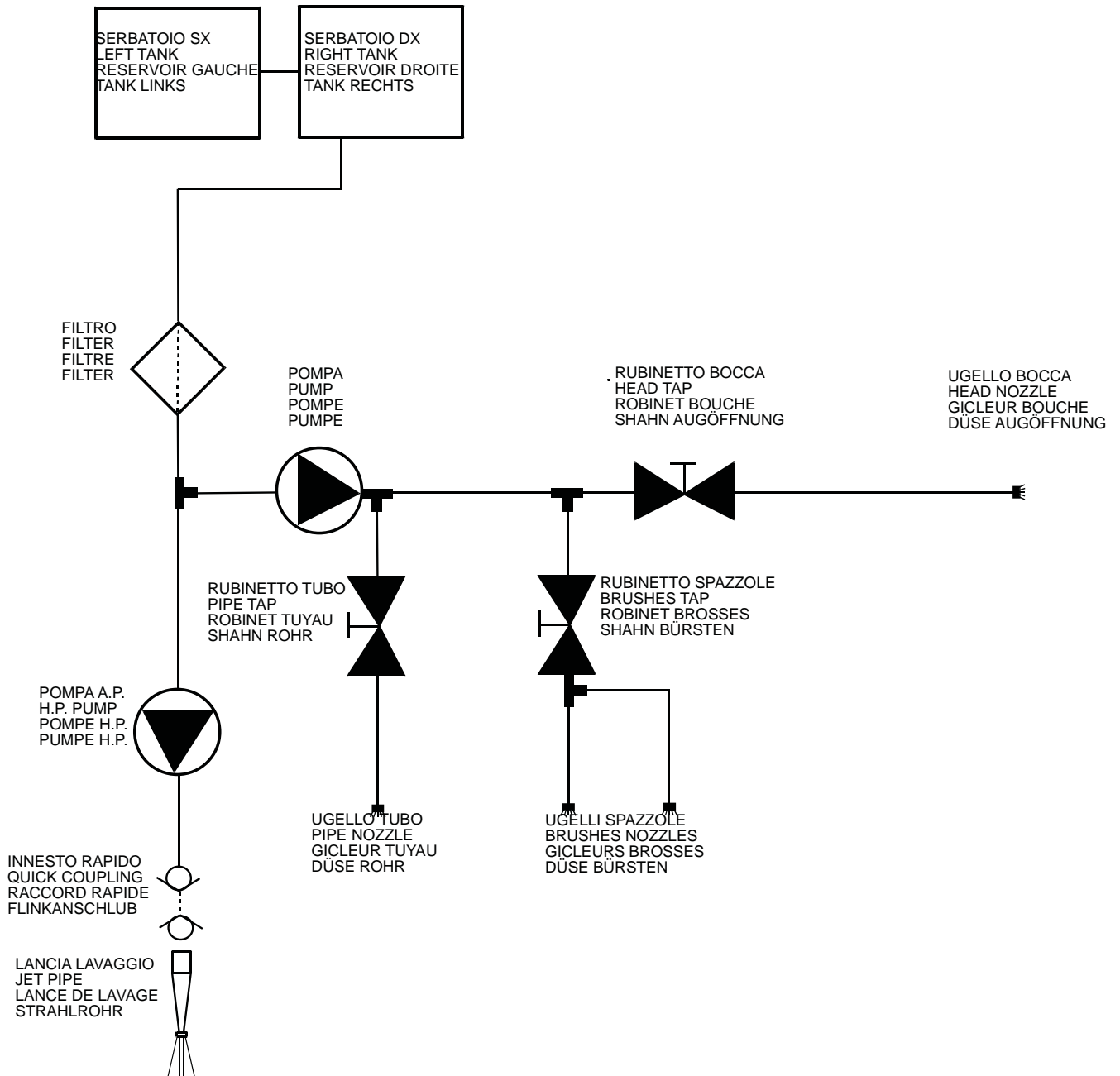
31

Item	Ref. No.	Qty	Description
69	33020862	1	SPRING
70	33017824	1	SUPPORT EXTERIOR
71	33017579	1	FLANGE EXTERIOR
72#	33018373	1	BOX SPRING
73	33017820	1	FLANGE EXTERIOR
74	33017578	1	HUB
75	33011355	1	STUD BOLT 1/4" 20MM
76	33011246	1	T-FITTING 1/4"
77	146 0079 00	1	NIPPLE 1/2" - D15
78	33017896	1	KIT WASHING HIGH PRESSURE
79	33011841	1	GASKET KIT
80	33011842	1	GASKET KIT
81	33011500	1	REDUCTION 1/2"-1/4"
82	33011518	1	HOSETAIL 1/4" D12
83	33014932	2	SPACER D9X23
84	33017577	1	SHAFT
85	33017880	1	NIPPLE M22X1,5
86	33011512	2	HOSETAIL 3/8"
87	33011470	1	PLUG 1/2"
88	33020822	1	HOSE WIRE RINFORCED 20X27 L=2200
89	33015966	1	SPRING ROLLER UP
90	33013730	1	GASKET OR 90X2
91	33013691	1	VALVE THERMIC
92	33014967	1	PLUG 1/4"
93	33015965	1	GASKET KIT ROLLER UP
94	33010758	1	HYDRAULIC HOSE L=10MT.
95	33019320	1	HYDRAULIC HOSE 1/2" L=1250
96	33015510	1	HYDRAULIC HOSE
97	33015511	1	FITTING 1/2" D15
98	33011494	1	REDUCTION GEAR MF 3/8" 1/4"
99#	33021307	1	WATER GUN
100#	33021308	1	JET PIPE
101#	330121309	1	NOZZLE COMPLETE
102	33003273	1	GASKET OR 2068
103	33010506	1	LODGING VENT VALVE
104	33018896	1	KIT BREECH
105	33010403	1	HYDRAULIC MOTOR CAM KIT
106	33003262	1	GASKET OR 87X2
107	33011849	1	PISTON RETAINING KIT
108	33000738	1	SPRING
109#	33021182	1	HIGH PRESSURE NOZZLE
110#	33021651	1	OUTLET VALVE KIT
111#	33021652	1	PISTON KIT
112#	33021653	1	SEAL KIT
113#	33021655	1	FIFTH WHEEL KIT
114#	33021650	1	VALVE KIT
115#	33022089	1	O-RING 75,87x2,62 70°Sh
116#	33022203	1	VALVE KIT

SCHEMA STD.
 STD. DIAGRAM
 SCHEME STD.
 PLAN STD.



SCHEMA CON POMPA A.P.
 DIAGRAM WITH H.P. PUMP
 SCHEME AVEC POMPE H.P.
 PLAN MIT PUMPE H.P.



RS | 501






















1

2

ATTENZIONE

Pericolo di ribaltamento e gravi danni

Le manovre di sterzata devono essere effettuate a velocità molto bassa

Evitare di:

- Sterzare in modo brusco
- Specchiare in discesa
- Sterzare con il controtorzo sollevato

Non scendere mai il controtorzo in discesa.

La macchina è meno stabile in discesa o quando il controtorzo è pieno. Controllare regolarmente la pressione degli pneumatici in base a quanto indicato nel Manuale Operatore.

ATTENZIONE PERICOLO:

A CONTROTORZO SOLLEVATO NON EFFETTUARE MANOVRE SU RAMPE E PENDENZE. NEL CASO IN CUI TALE SITUAZIONE SI RENDESSE INDISPENSABILE, LA VELOCITÀ MASSIMA CONSENTITA È DI KM/H 1.

NON SOSTARE NEL RAGGIO D'AZIONE

VERIFICO USO DELLA MACCHINA. ASSICURAMENTE EFFETTUO IL CORRETTO FUNZIONAMENTO DELLA STELLA. PREPARARE DA OPERAZIONE ENTRA OLA NON PREPARARE DA OPERAZIONE ENTRA OLA NON PREPARARE DA OPERAZIONE ENTRA OLA NON PREPARARE DA OPERAZIONE ENTRA OLA NON PREPARARE DA OPERAZIONE ENTRA OLA NON

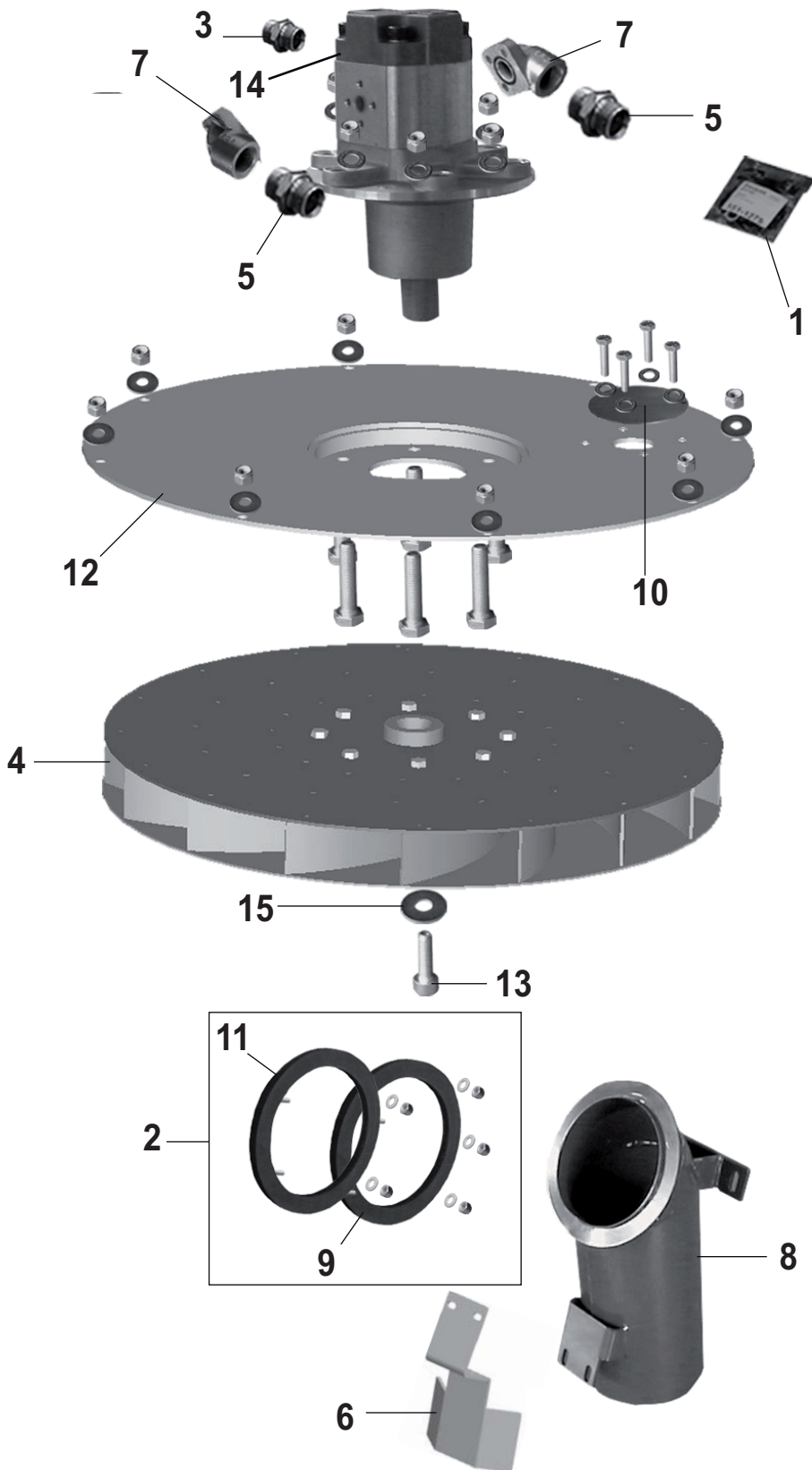
ATTENZIONE PERICOLO:

PERICOLO NON ARRESTARE NON ARRESTARE NON ARRESTARE NON ARRESTARE NON ARRESTARE NON ARRESTARE NON ARRESTARE NON ARRESTARE NON ARRESTARE NON ARRESTARE

2009-04	DECALS	BOOK F		
RS 501			F	35

Item	Ref. No.	Qty	Description
1	33019518	1	KIT DECALS RS501
2	33018643	1	KIT SAFETY DECALS GB

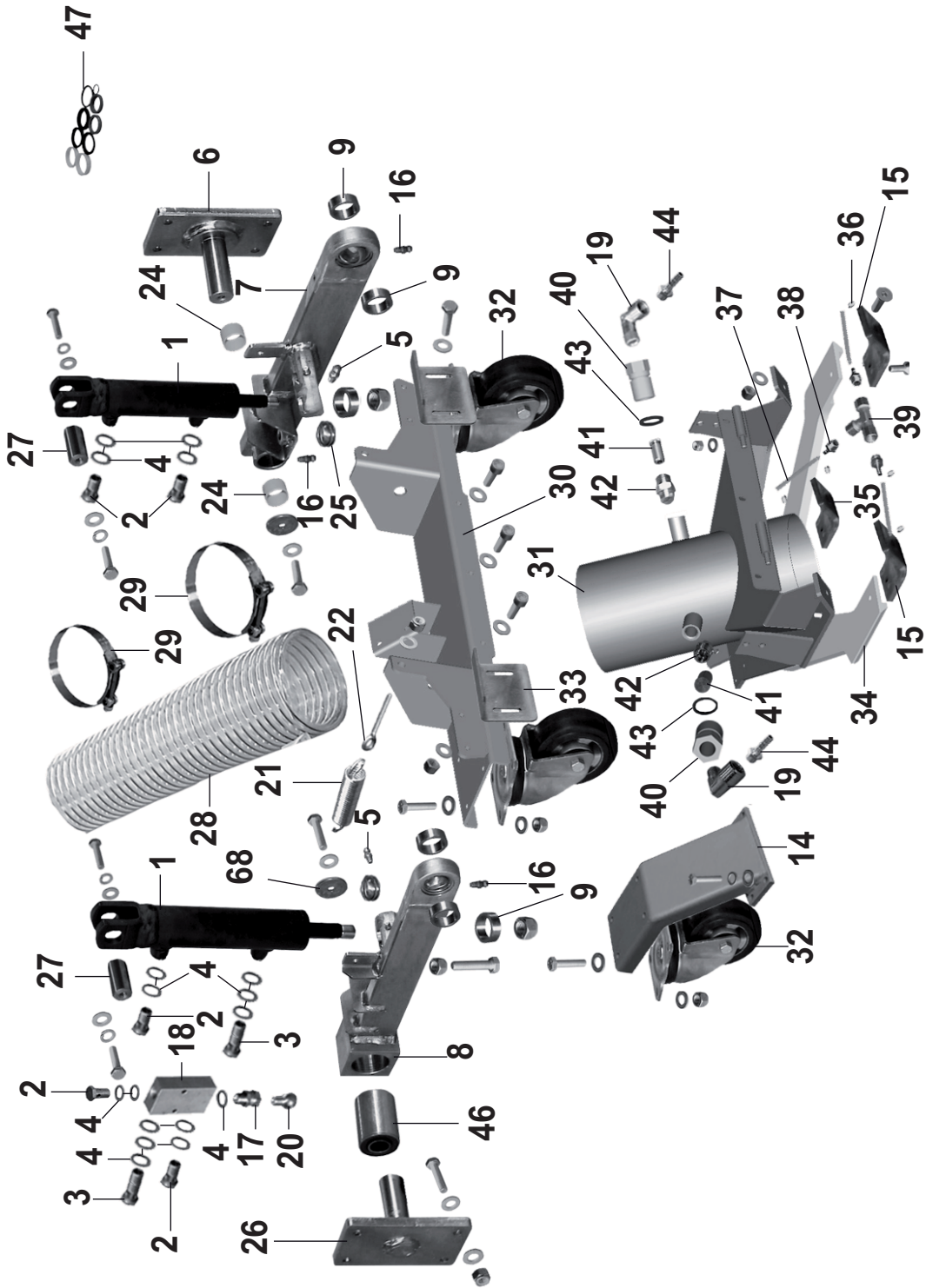
BOOK F		TURBINE		2009-04
36	F	RS 501		



2009-04**TURBINE****BOOK F****RS 501****F****37**

Item	Ref. No.	Qty	Description
1	33017930	1	GASKET KIT F/HYDRAULIC MOTOR
2	33015970	1	SEAL F/ SUCTION PIPE KIT
3	146 2977 000	1	NIPPLE 1/4" - D10
4	33015467	1	FAN
5	146 0079 00	2	NIPPLE 1/2" - D15
6	33020465	1	SUPPORT
7	33011388	2	FITTING FF 1/2"
8	33012909	1	HOSE
9	33015969	1	GASKET
10	33013607	1	PLUG
11	33015968	1	SEAL F/ SUCTION PIPE
12	33015466	1	COVER
13	33015773	1	SCREW HEX HD 12X30 LEFT
14	33015774	1	KIT HYDRAULIC ENGINE 11CC
15	33015617	1	WASHER 50X13X6

BOOK F		SUCTION HEAD		2009-04
38	F	RS 501		2012-05



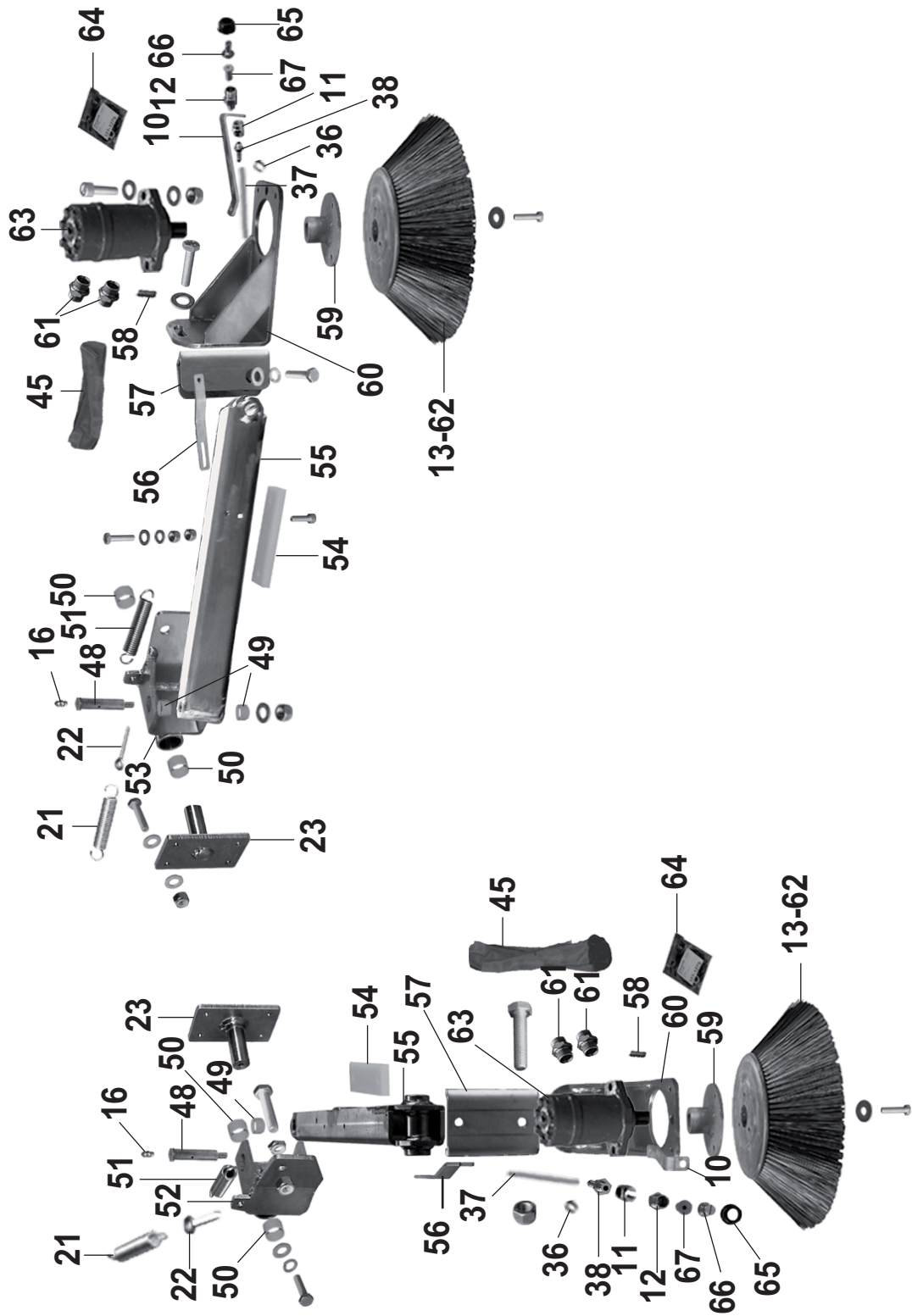
2009-04	SUCTION HEAD	BOOK F	
2012-05	RS 501	F	39

Item	Ref. No.	Qty	Description
1	33001522	2	CYLINDER HYDRAULIC
2	33011254	5	THROUGH SCREW 1/4"
3	33011265	2	DOUBLE THROUGH SCREW 1/4"
4	33011718	17	STEEL/RUBBER WASHER 1/4"
5	33008061	2	GREASE ZIRK FITTING M6
6	33013512	1	PLATE LEFT
7	33013510	1	LEFT ARM
8	33013511	1	RIGHT ARM
9	33013265	6	SPACER
10	33001714	2	SUPPORT
11	33010424	2	SLEEVE 1/8"
12	33011858	2	REDUCTION COPPER 3/8"-1/8"
13	33015494	2	BROOM SIDE PPL D720
14	33012798	1	SUPPORT
15	33015392	2	SLIDE
16	33015110	5	LUBRICATOR M6 45°
17	33011403	1	ROTATING JOINT 1/4"
18	33010483	1	LOCKING VALVE 1/4" S. E.
19	33011224	2	FITTING 1/4"
20	33011474	1	EYE 1/4"
21	33001525	4	SPRING RETURN
22	33001517	4	TIE ROD
23	33013523	2	PLATE
24	33001827	2	BUSHING
25	33003088	4	JOINT GE20E
26	33013513	1	RIGHT PLATE
27	33002308	2	PIN
28	33020464	1	HOSE Ø180
29	33003485	2	CLAMP 194/30
30	33015388	1	SUPPORT HEAD
31	33018398	1	SUCTION HEAD
32	33009652	3	WHEEL REVOLVING D125
33	33013507	2	PLATE
34	33015391	1	PLATE WEAR
35	33001926	1	SUPPORT
36	33003450	8	CLAMP
37	33015229	1	PIPI 6X11
38	33011513	5	HOSETAIL 1/8" D6
39	33011654	1	T FITTING FFF 1/8"
40	33015390	2	NOZZLE HOLDER
41	33011860	2	MESH FILTER COPPER 100
42	33011855	2	NOZZLE 1/4 MC2 02/110
43	33015386	2	RING A18
44	33011517	2	HOSETAIL 1/4" D6
45	33015542	2	SHEATH D.60 LG.500
46	33003150	1	VIBRATION -DAMPING
47	33011775	2	GASKET KIT FLAP CYLINDER
48	33013305	2	PIN
49	33003091	4	BUSHING
50	33003093	4	BUSHING 25X28X20
51	33001676	2	SPRING TIGHTENING
52	33013519	1	SUPPORT
53	33013520	1	SUPPORT
54	33001672	2	BUFFER
55	33013518	2	ARM
56	33013522	2	PLATE
57	33013521	2	SUPPORT
58	33007740	2	KEY 8X32
59	33013358	2	BROOM HOLDING
60	33015453	2	SUPPORT MOTOR
61	146 0075 00	4	NIPPLE 1/2" - D12
62	33015430	2	BROOM SIDE PPL+STEEL D720
63	33018182	2	MOTOR HYDRAULIC F/SIDE OMP80
64	33018349	2	GASKET KIT F/MOTOR
65	33011857	2	NOZZLE RING NUT 3/8"
66	33011862	2	NOZZLES DH 1.5 BROOM
67	33011856	2	FILTER 50 MESH
68A#	33021232	1	WASHER Ø8X60

A: Starting from s/n 103806749

33019744(2)2012-05

BOOK F		SUCTION HEAD	2009-04
40	F	RS 501	2012-05

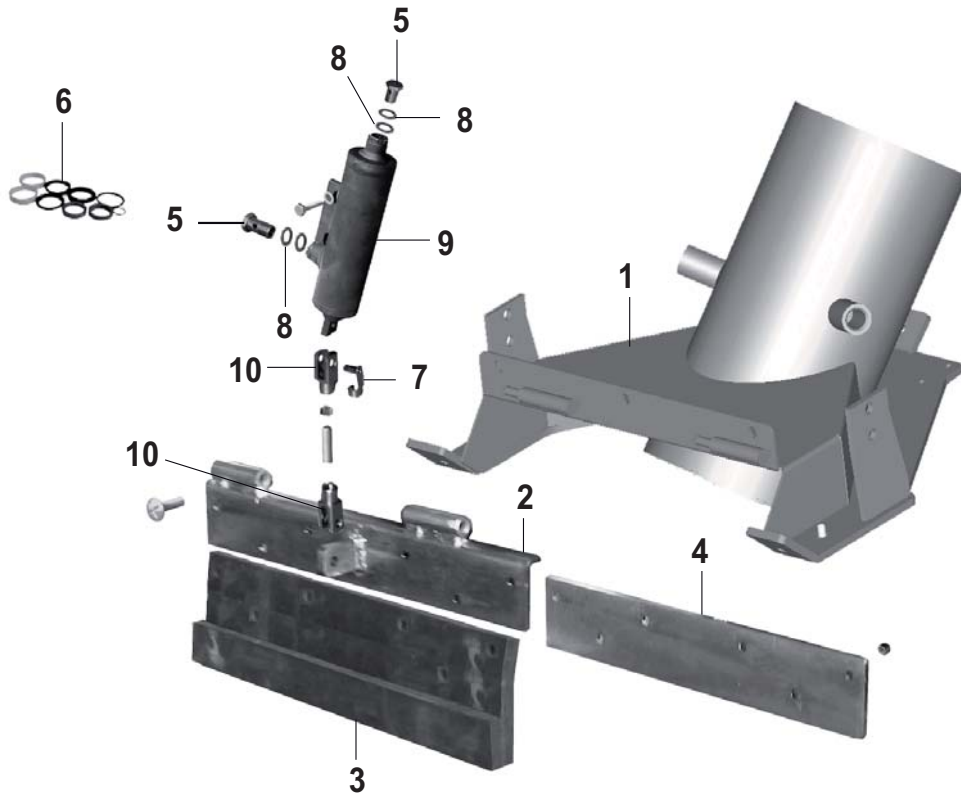


2009-04	SUCTION HEAD	BOOK F		
2012-05	RS 501	F		41

Item	Ref. No.	Qty	Description
1	33001522	2	CYLINDER HYDRAULIC
2	33011254	5	THROUGH SCREW 1/4"
3	33011265	2	DOUBLE THROUGH SCREW 1/4"
4	33011718	17	STEEL/RUBBER WASHER 1/4"
5	33008061	2	GREASE ZIRK FITTING M6
6	33013512	1	PLATE LEFT
7	33013510	1	LEFT ARM
8	33013511	1	RIGHT ARM
9	33013265	6	SPACER
10	33001714	2	SUPPORT
11	33010424	2	SLEEVE 1/8"
12	33011858	2	REDUCTION COPPER 3/8"-1/8"
13	33015494	2	BROOM SIDE PPL D720
14	33012798	1	SUPPORT
15	33015392	2	SLIDE
16	33015110	5	LUBRICATOR M6 45°
17	33011403	1	ROTATING JOINT 1/4"
18	33010483	1	LOCKING VALVE 1/4" S. E.
19	33011224	2	FITTING 1/4"
20	33011474	1	EYE 1/4"
21	33001525	4	SPRING RETURN
22	33001517	4	TIE ROD
23	33013523	2	PLATE
24	33001827	2	BUSHING
25	33003088	4	JOINT GE20E
26	33013513	1	RIGHT PLATE
27	33002308	2	PIN
28	33020464	1	HOSE Ø180
29	33003485	2	CLAMP 194/30
30	33015388	1	SUPPORT HEAD
31	33018398	1	SUCTION HEAD
32	33009652	3	WHEEL REVOLVING D125
33	33013507	2	PLATE
34	33015391	1	PLATE WEAR
35	33001926	1	SUPPORT
36	33003450	8	CLAMP
37	33015229	1	PIPI 6X11
38	33011513	5	HOSETAIL 1/8" D6
39	33011654	1	T FITTING FFF 1/8"
40	33015390	2	NOZZLE HOLDER
41	33011860	2	MESH FILTER COPPER 100
42	33011855	2	NOZZLE 1/4 MC2 02/110
43	33015386	2	RING A18
44	33011517	2	HOSETAIL 1/4" D6
45	33015542	2	SHEATH D.60 LG.500
46	33003150	1	VIBRATION -DAMPING
47	33011775	2	GASKET KIT FLAP CYLINDER
48	33013305	2	PIN
49	33003091	4	BUSHING
50	33003093	4	BUSHING 25X28X20
51	33001676	2	SPRING TIGHTENING
52	33013519	1	SUPPORT
53	33013520	1	SUPPORT
54	33001672	2	BUFFER
55	33013518	2	ARM
56	33013522	2	PLATE
57	33013521	2	SUPPORT
58	33007740	2	KEY 8X32
59	33013358	2	BROOM HOLDING
60	33015453	2	SUPPORT MOTOR
61	146 0075 00	4	NIPPLE 1/2" - D12
62	33015430	2	BROOM SIDE PPL+STEEL D720
63	33018182	2	MOTOR HYDRAULIC F/SIDE OMP80
64	33018349	2	GASKET KIT F/MOTOR
65	33011857	2	NOZZLE RING NUT 3/8"
66	33011862	2	NOZZLES DH 1.5 BROOM
67	33011856	2	FILTER 50 MESH
68A#	33021232	1	WASHER Ø8X60

A: Starting from s/n 103806749

33019744(2)2012-05



2009-04**FLAP****BOOK F****RS 501****F****43**

Item	Ref. No.	Qty	Description
1	33018398	1	SUCTION HEAD
2	33013508	1	FLAP
3	33002299	1	GASKET
4	33013509	1	SEAL HOLDER
5	33011254	2	THROUGH SCREW 1/4"
6	33011774	1	GASKET KIT CYL FLAP/SIDE
7	145 9767 000	2	CLIP M8
8	33011718	4	STEEL/RUBBER WASHER 1/4"
9	33002217	1	CYLINDER HYDRAULIC
10	145 4538 000	2	FORK M8

BOOK F		FILTERS	2009-04
44	F	RS 501	2012-05

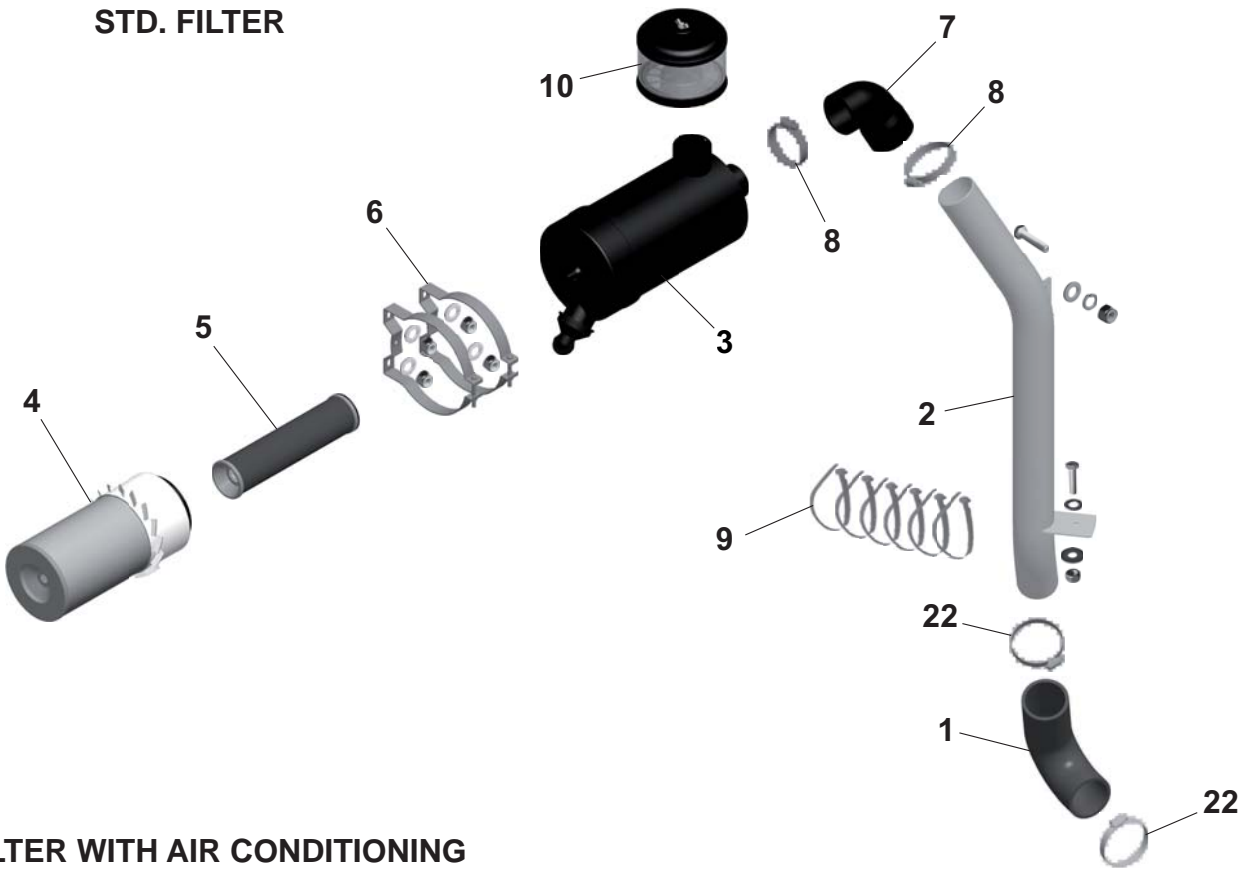


2009-04	FILTERS	BOOK F		
2012-05	RS 501	F		45

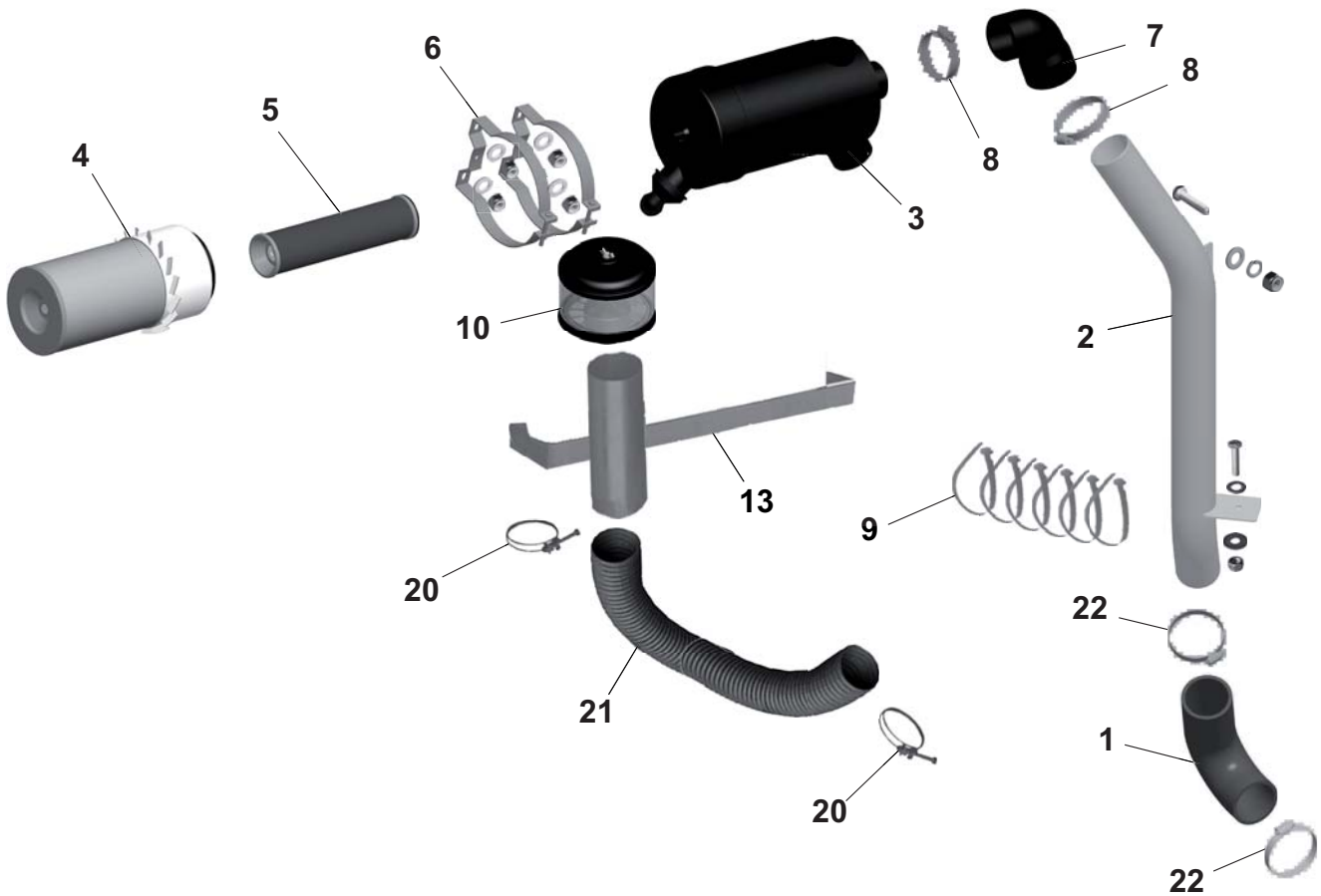
Item	Ref. No.	Qty	Description
1	33018383	1	AIR INTAKE HOSE - ENGINE
2	33018382	1	AIR INTAKE HOSE WELDT
3	33010154	1	FILTER
4	33010157	1	AIR FILTER CARTRIDGE
5	33010158	1	AIR FILTER SAFETY CARTR.
6	33003542	2	COLLAR
7	33018384	1	AIR INTAKE HOSE - FILTER
8	33003501	2	CLAMP 50-70
9	33003516	6	CLAMP 9X350
10	33010192	1	SUCTION PIPE FILTER
11	33015591	1	FILTER ON LINE
12	33010183	1	FILTER CARTRIDGE IN-LINE
13#	33021317	1	CYCLONE SUPPORT KIT
14	33010217	1	PRESSURE GAUGE
15	33010199	3	OIL FILTER HYDRAULIC
16	33018850	1	OIL FILTER ENGINE
17	33020381	1	DIESEL FILTER
18	33010215	1	OIL FILTER HYDRAULIC
19	33010222	1	COVER
20	33014607	2	CLAMP D.64
21	33015240	1	PIPE D64
22	146 0771 000	2	CLAMP 47-67

BOOK F		FILTERS	2009-04
46	F	RS 501	2012-05

STD. FILTER

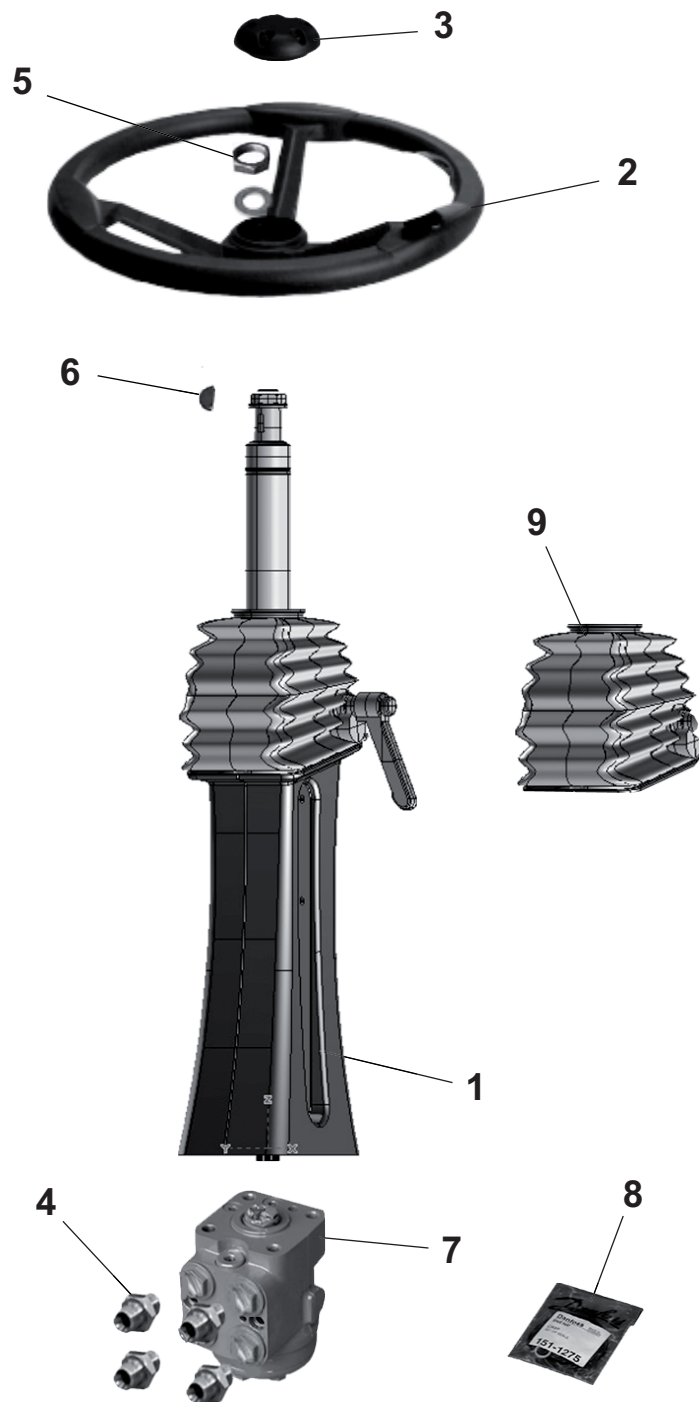


FILTER WITH AIR CONDITIONING



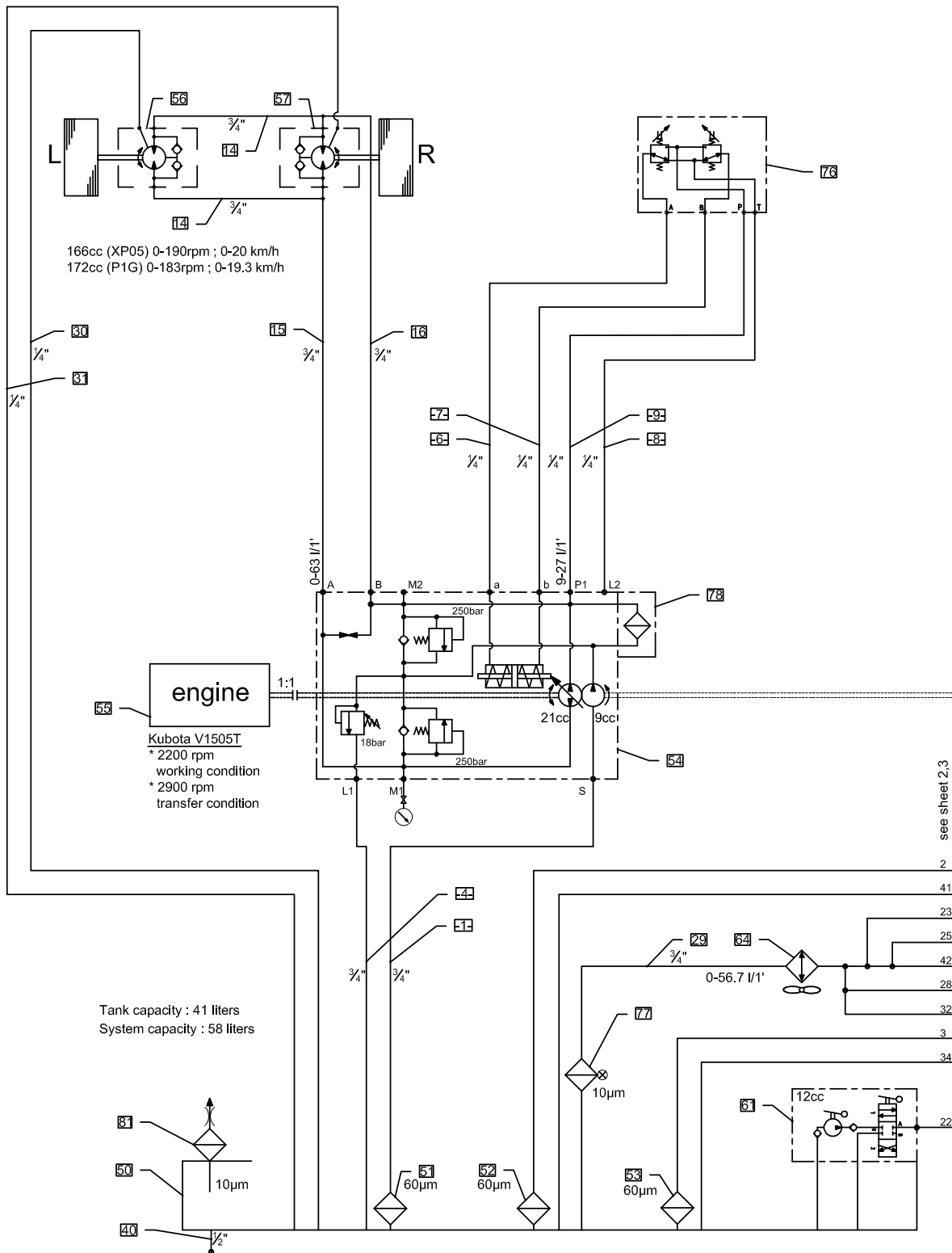
2009-04	FILTERS	BOOK F		
2012-05	RS 501	F		47

Item	Ref. No.	Qty	Description
1	33018383	1	AIR INTAKE HOSE - ENGINE
2	33018382	1	AIR INTAKE HOSE WELDT
3	33010154	1	FILTER
4	33010157	1	AIR FILTER CARTRIDGE
5	33010158	1	AIR FILTER SAFETY CARTR.
6	33003542	2	COLLAR
7	33018384	1	AIR INTAKE HOSE - FILTER
8	33003501	2	CLAMP 50-70
9	33003516	6	CLAMP 9X350
10	33010192	1	SUCTION PIPE FILTER
11	33015591	1	FILTER ON LINE
12	33010183	1	FILTER CARTRIDGE IN-LINE
13#	33021317	1	CYCLONE SUPPORT KIT
14	33010217	1	PRESSURE GAUGE
15	33010199	3	OIL FILTER HYDRAULIC
16	33018850	1	OIL FILTER ENGINE
17	33020381	1	DIESEL FILTER
18	33010215	1	OIL FILTER HYDRAULIC
19	33010222	1	COVER
20	33014607	2	CLAMP D.64
21	33015240	1	PIPE D64
22	146 0771 000	2	CLAMP 47-67



Item	Ref. No.	Qty	Description
1	33015090	1	PWR STEERING SLEEVE
2	33020491	1	STEERING WHEEL
3	33009613	1	STEER. WHEEL PLUG
4	146 0075 00	4	NIPPLE 1/2" - D12
5	146 2023 000	1	NUT LOW M18X1.5
6	33006040	1	TANG 5X6,5X16
7	33018179	1	POWER STEERING HKUS40
8	33018353	1	GASKET KIT F/MOTOR
9	33015091	1	FOLDER TAP

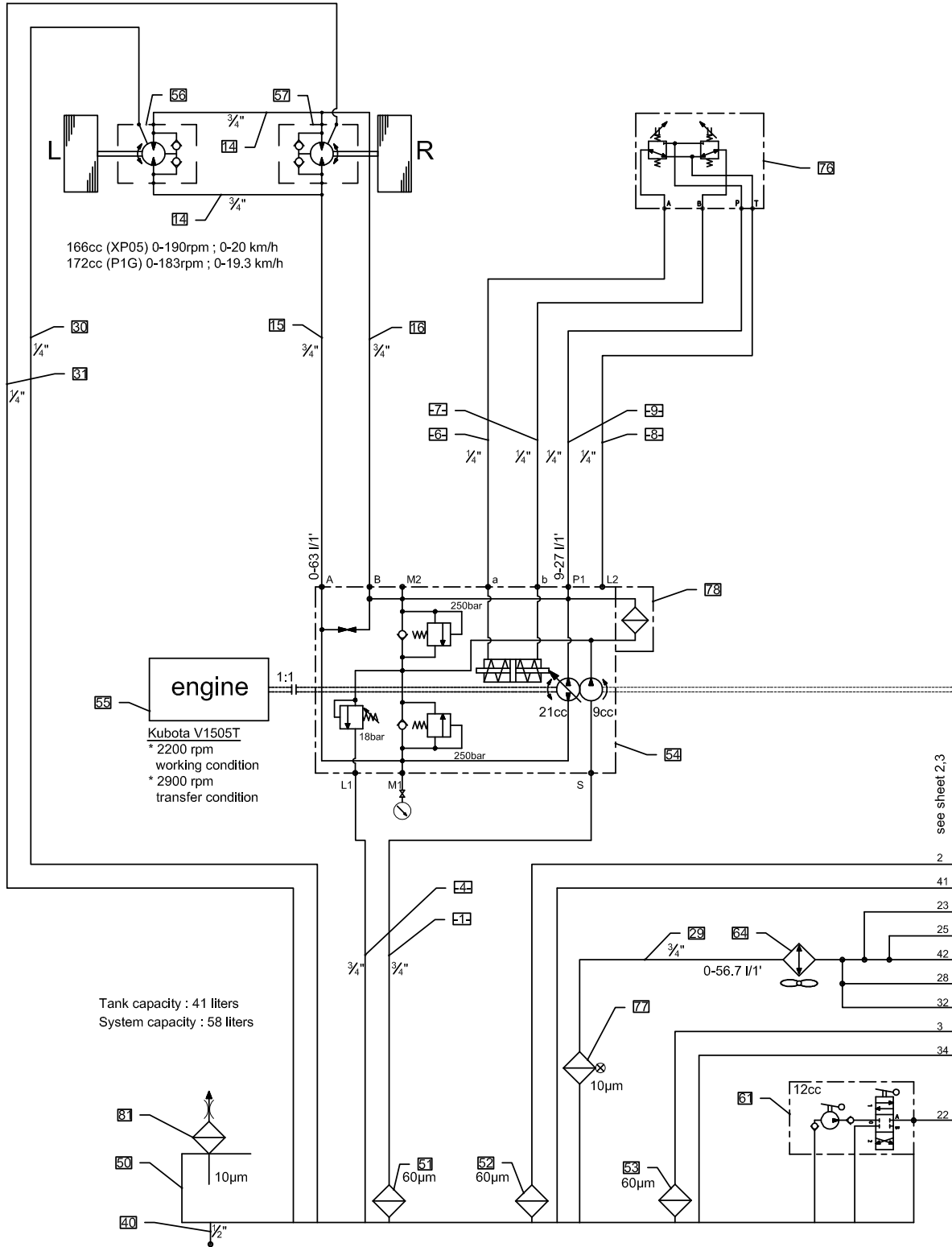
TRACTION



Item	Ref. No.	Qty	Description
1	33015308	1	HYDRAULIC HOSE
2	33015309	1	HYDRAULIC HOSE
3	33019263	1	HYDRAULIC HOSE 3/4" R1 L=870
4	33015311	1	HYDRAULIC HOSE
5	33019294	1	HYDRAULIC HOSE 1/2" R2 L=700
6	33015313	1	HYDRAULIC HOSE
7	33015314	1	HYDRAULIC HOSE
8	33015315	1	HYDRAULIC HOSE
9	33015316	1	HYDRAULIC HOSE
10	33010951	1	HYDRAULIC HOSE
11	33010952	1	HYDRAULIC HOSE
12	33010953	1	HYDRAULIC HOSE
13	33015317	1	HYDRAULIC HOSE
14	33015318	2	HYDRAULIC HOSE
15	33015319	1	HYDRAULIC HOSE
16	33015320	1	HYDRAULIC HOSE
17	33015321	1	HYDRAULIC HOSE
18	33015322	1	HYDRAULIC HOSE
19	33015323	1	HYDRAULIC HOSE
20	33015522	1	HYDRAULIC HOSE
21	33019313	1	HYDRAULIC HOSE 3/8" R2 L=3000
22	33015326	1	HYDRAULIC HOSE
23	33015327	1	HYDRAULIC HOSE
24	33015328	1	HYDRAULIC HOSE
25	33015329	1	HYDRAULIC HOSE
26	33019315	1	HYDRAULIC HOSE 1/4" R2 L=2060
28	33015331	1	HYDRAULIC HOSE
29	33015332	1	HYDRAULIC HOSE
30	33015333	1	HYDRAULIC HOSE
31	33015334	1	HYDRAULIC HOSE
32	33015335	1	HYDRAULIC HOSE
33	33015336	1	HYDRAULIC HOSE
34	33015337	1	HYDRAULIC HOSE
35	33015387	1	HYDRAULIC HOSE EYE-EYE 1/4"
36	33010977	1	HYDRAULIC HOSE
37	33019317	1	HYDRAULIC HOSE 3/8" R2 L=2940
38	33019316	1	HYDRAULIC HOSE 1/4" R2 L=2600
39	33011057	1	HYDRAULIC HOSE
40	33015341	1	HYDRAULIC HOSE
41	33015475	1	HYDRAULIC HOSE
42#	33015510	1	HYDRAULIC HOSE
43	33019320	1	HYDRAULIC HOSE 1/2" L=1250
44	33015357	2	HYDRAULIC HOSE
45	145 9800 000	2	HYDRAULIC HOSE
46	33014964	1	HYDRAULIC HOSE
47	33020376	1	HYDRAULIC HOSE 1/2" R2 L=500
48	33020375	1	HYDRAULIC HOSE 1/2" R2 L=500
50	33015422	1	OIL TANK
51	33010199	1	OIL FILTER HYDRAULIC
52	33010199	1	OIL FILTER HYDRAULIC
53	33010199	1	OIL FILTER HYDRAULIC
54	33013035	1	PUMP HP 21
55	33018412	1	ENGINE KUBOTA V1505T
56	33013033	1	MOTOR WHEEL P1G 175CC LEFT
56A#	33022308	1	KIT MOTOR WHEEL
57	33013032	1	MOTOR WHEEL P1G 175CC RIGHT
57A#	33022308	1	KIT MOTOR WHEEL
58	33014889	1	DISTRIBUTOR 2 ELEMENTS
59	33002217	1	CYLINDER HYDRAULIC
60	33018418	1	LIFTING HYDRAULIC CYLINDER
61	33010395	1	PUMP
62	33018182	1	MOTOR HYDRAULIC F/SIDE OMP80
63	33018182	1	MOTOR HYDRAULIC F/SIDE OMP80
64	33002370	1	OIL EXCHANGER
65	33010507	1	VALVE 1/4"
66	33001522	2	CYLINDER HYDRAULIC
67#	33010483	1	LOCKING VALVE 1/4" S. E.
68	33018179	1	POWER STEERING HKUS40

A: Please verify the model on the motorwheel before placing an order

TRACTION



Tank capacity : 41 liters
System capacity : 58 liters

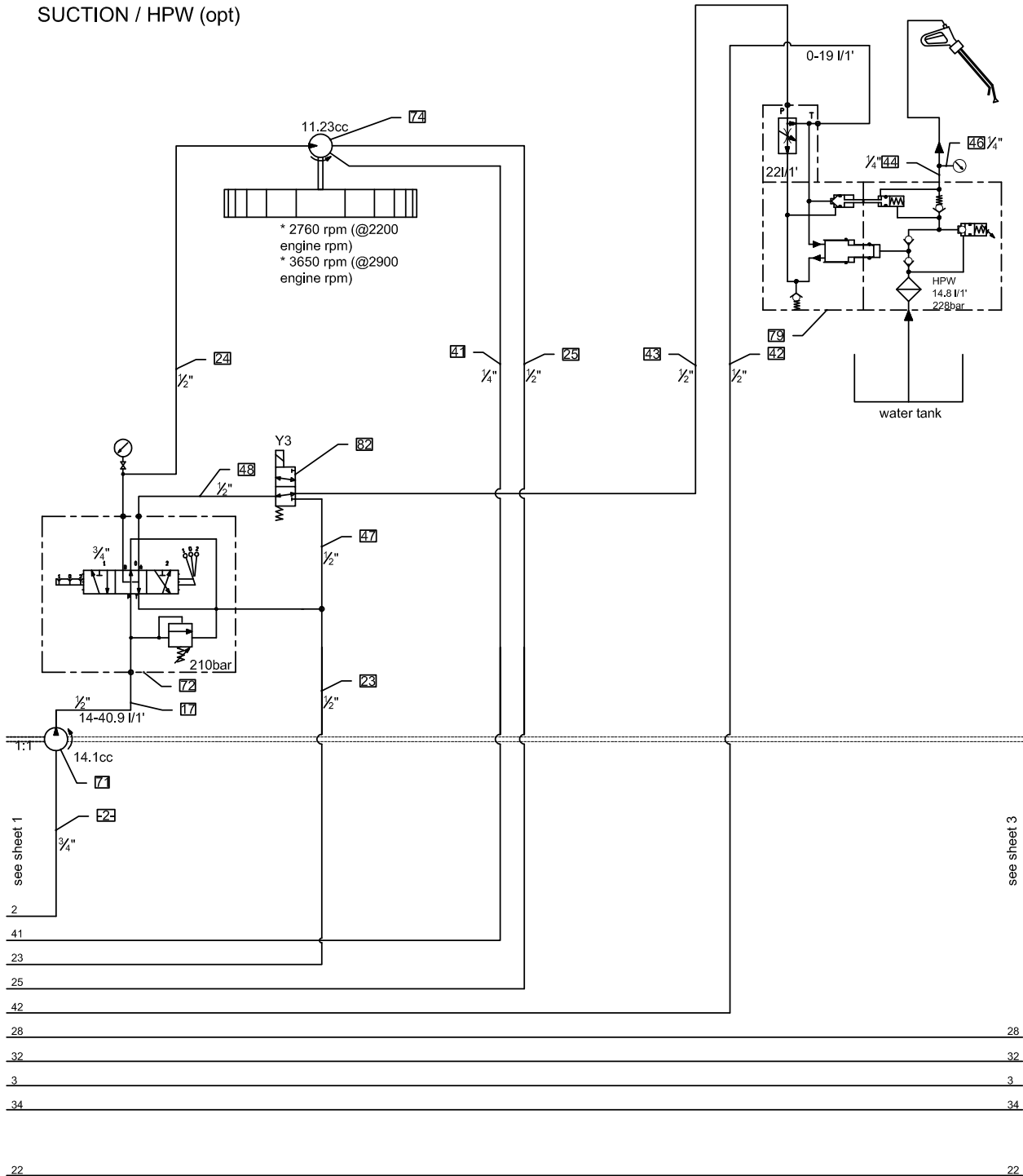
2009-04	HYDRAULIC SYSTEM	BOOK F		
2012-05	RS 501	F		53

Item	Ref. No.	Qty	Description
69	33010503	1	VALVE PRIORITY
70	33018441	1	GEAR PUMP 14+9,6 CC
71	33018441	1	GEAR PUMP 14+9,6 CC
72	33010534	1	1 ELEMENT DISTRIBUTOR
73	33010499	1	SOLENOID VALVE
74	33015774	1	HYDRAULIC ENGINE 11CC KIT
75	33017656	1	CYLINDER HYDRAULIC
76	33015041	1	PEDAL COMPLETE
77	33015591	1	FILTER ON LINE
78	33010215	1	OIL FILTER HYDRAULIC
79	33010402	1	H.POWER PUMP+REGULATOR
80	33010518	1	FLOW REGULATOR 30L
81	33015593	1	PLUG FILLING
82	33020377	1	H.P PUMP SAFETY SOLENOID VALVE

A: Please verify the model on the motorwheel before placing an order

33019744(2)2012-05

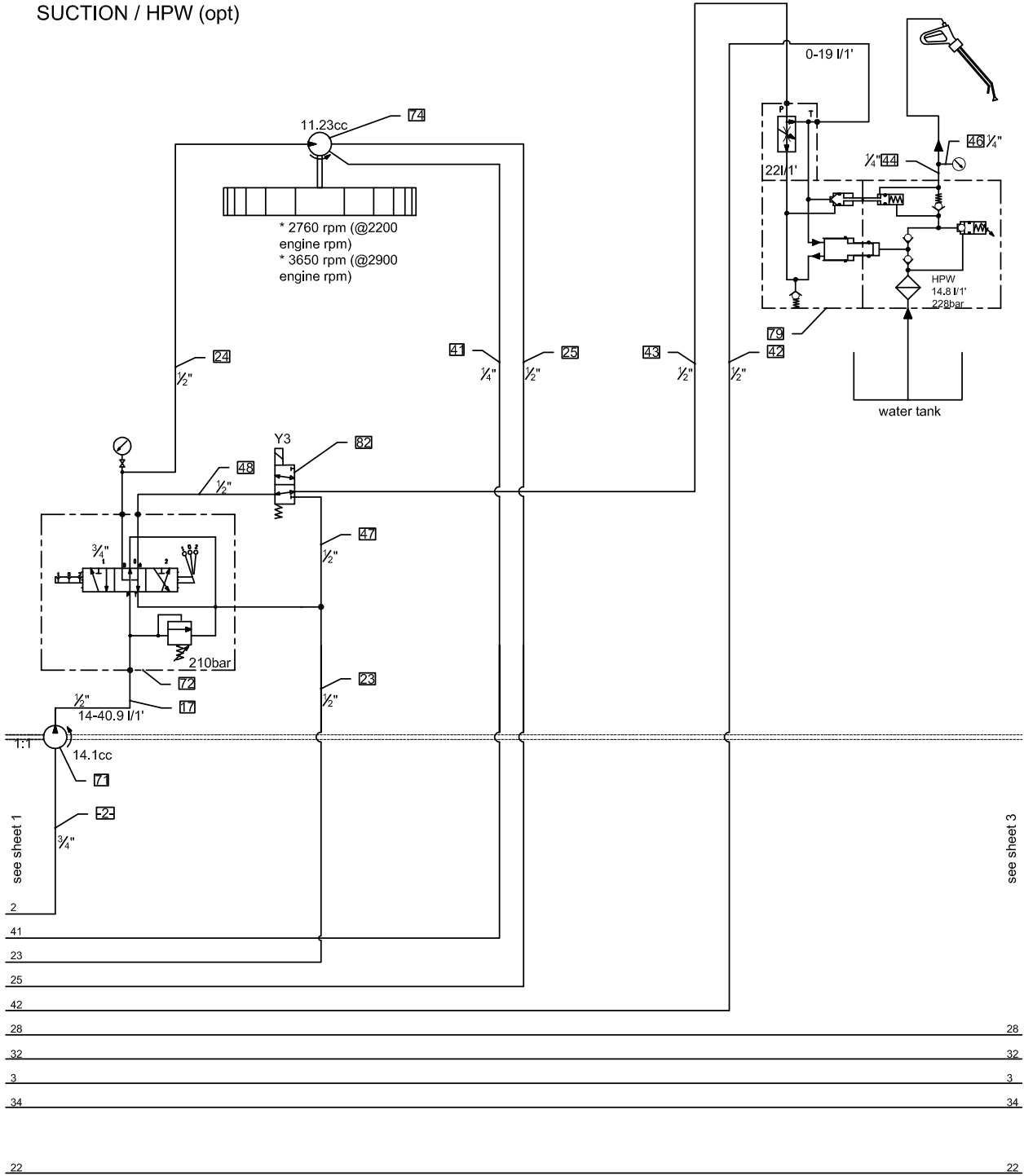
SUCTION / HPW (opt)



Item	Ref. No.	Qty	Description
1	33015308	1	HYDRAULIC HOSE
2	33015309	1	HYDRAULIC HOSE
3	33019263	1	HYDRAULIC HOSE 3/4" R1 L=870
4	33015311	1	HYDRAULIC HOSE
5	33019294	1	HYDRAULIC HOSE 1/2" R2 L=700
6	33015313	1	HYDRAULIC HOSE
7	33015314	1	HYDRAULIC HOSE
8	33015315	1	HYDRAULIC HOSE
9	33015316	1	HYDRAULIC HOSE
10	33010951	1	HYDRAULIC HOSE
11	33010952	1	HYDRAULIC HOSE
12	33010953	1	HYDRAULIC HOSE
13	33015317	1	HYDRAULIC HOSE
14	33015318	2	HYDRAULIC HOSE
15	33015319	1	HYDRAULIC HOSE
16	33015320	1	HYDRAULIC HOSE
17	33015321	1	HYDRAULIC HOSE
18	33015322	1	HYDRAULIC HOSE
19	33015323	1	HYDRAULIC HOSE
20	33015522	1	HYDRAULIC HOSE
21	33019313	1	HYDRAULIC HOSE 3/8" R2 L=3000
22	33015326	1	HYDRAULIC HOSE
23	33015327	1	HYDRAULIC HOSE
24	33015328	1	HYDRAULIC HOSE
25	33015329	1	HYDRAULIC HOSE
26	33019315	1	HYDRAULIC HOSE 1/4" R2 L=2060
28	33015331	1	HYDRAULIC HOSE
29	33015332	1	HYDRAULIC HOSE
30	33015333	1	HYDRAULIC HOSE
31	33015334	1	HYDRAULIC HOSE
32	33015335	1	HYDRAULIC HOSE
33	33015336	1	HYDRAULIC HOSE
34	33015337	1	HYDRAULIC HOSE
35	33015387	1	HYDRAULIC HOSE EYE-EYE 1/4"
36	33010977	1	HYDRAULIC HOSE
37	33019317	1	HYDRAULIC HOSE 3/8" R2 L=2940
38	33019316	1	HYDRAULIC HOSE 1/4" R2 L=2600
39	33011057	1	HYDRAULIC HOSE
40	33015341	1	HYDRAULIC HOSE
41	33015475	1	HYDRAULIC HOSE
42#	33015510	1	HYDRAULIC HOSE
43	33019320	1	HYDRAULIC HOSE 1/2" L=1250
44	33015357	2	HYDRAULIC HOSE
45	145 9800 000	2	HYDRAULIC HOSE
46	33014964	1	HYDRAULIC HOSE
47	33020376	1	HYDRAULIC HOSE 1/2" R2 L=500
48	33020375	1	HYDRAULIC HOSE 1/2" R2 L=500
50	33015422	1	OIL TANK
51	33010199	1	OIL FILTER HYDRAULIC
52	33010199	1	OIL FILTER HYDRAULIC
53	33010199	1	OIL FILTER HYDRAULIC
54	33013035	1	PUMP HP 21
55	33018412	1	ENGINE KUBOTA V1505T
56	33013033	1	MOTOR WHEEL P1G 175CC LEFT
56A#	33022308	1	KIT MOTOR WHEEL
57	33013032	1	MOTOR WHEEL P1G 175CC RIGHT
57A#	33022308	1	KIT MOTOR WHEEL
58	33014889	1	DISTRIBUTOR 2 ELEMENTS
59	33002217	1	CYLINDER HYDRAULIC
60	33018418	1	LIFTING HYDRAULIC CYLINDER
61	33010395	1	PUMP
62	33018182	1	MOTOR HYDRAULIC F/SIDE OMP80
63	33018182	1	MOTOR HYDRAULIC F/SIDE OMP80
64	33002370	1	OIL EXCHANGER
65	33010507	1	VALVE 1/4"
66	33001522	2	CYLINDER HYDRAULIC
67#	33010483	1	LOCKING VALVE 1/4" S. E.
68	33018179	1	POWER STEERING HKUS40

A: Please verify the model on the motorwheel before placing an order

SUCTION / HPW (opt)



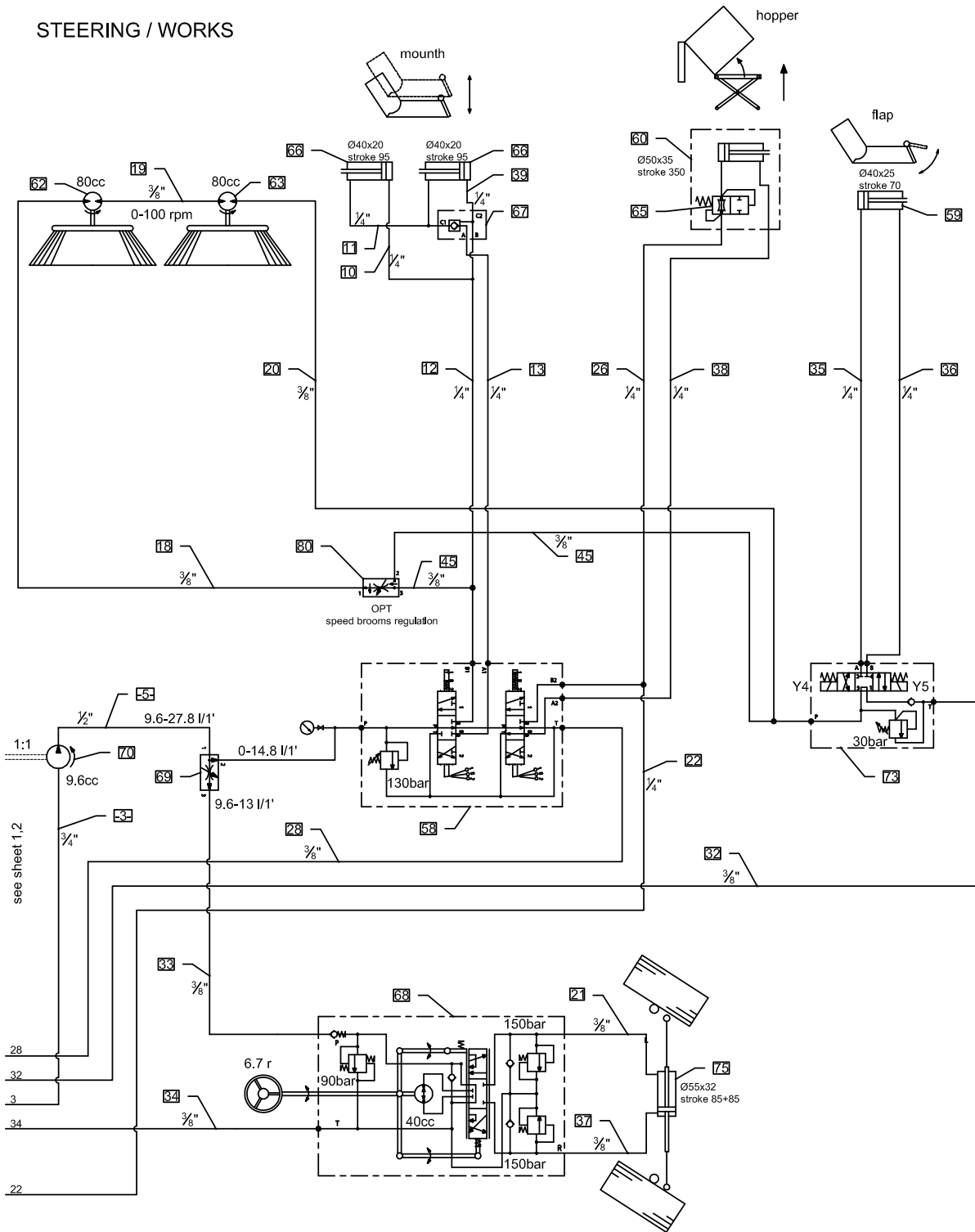
2009-04	HYDRAULIC SYSTEM	BOOK F		
2012-05	RS 501	F		57

Item	Ref. No.	Qty	Description
69	33010503	1	VALVE PRIORITY
70	33018441	1	GEAR PUMP 14+9,6 CC
71	33018441	1	GEAR PUMP 14+9,6 CC
72	33010534	1	1 ELEMENT DISTRIBUTOR
73	33010499	1	SOLENOID VALVE
74	33015774	1	HYDRAULIC ENGINE 11CC KIT
75	33017656	1	CYLINDER HYDRAULIC
76	33015041	1	PEDAL COMPLETE
77	33015591	1	FILTER ON LINE
78	33010215	1	OIL FILTER HYDRAULIC
79	33010402	1	H.POWER PUMP+REGULATOR
80	33010518	1	FLOW REGULATOR 30L
81	33015593	1	PLUG FILLING
82	33020377	1	H.P PUMP SAFETY SOLENOID VALVE

A: Please verify the model on the motorwheel before placing an order

33019744(2)2012-05

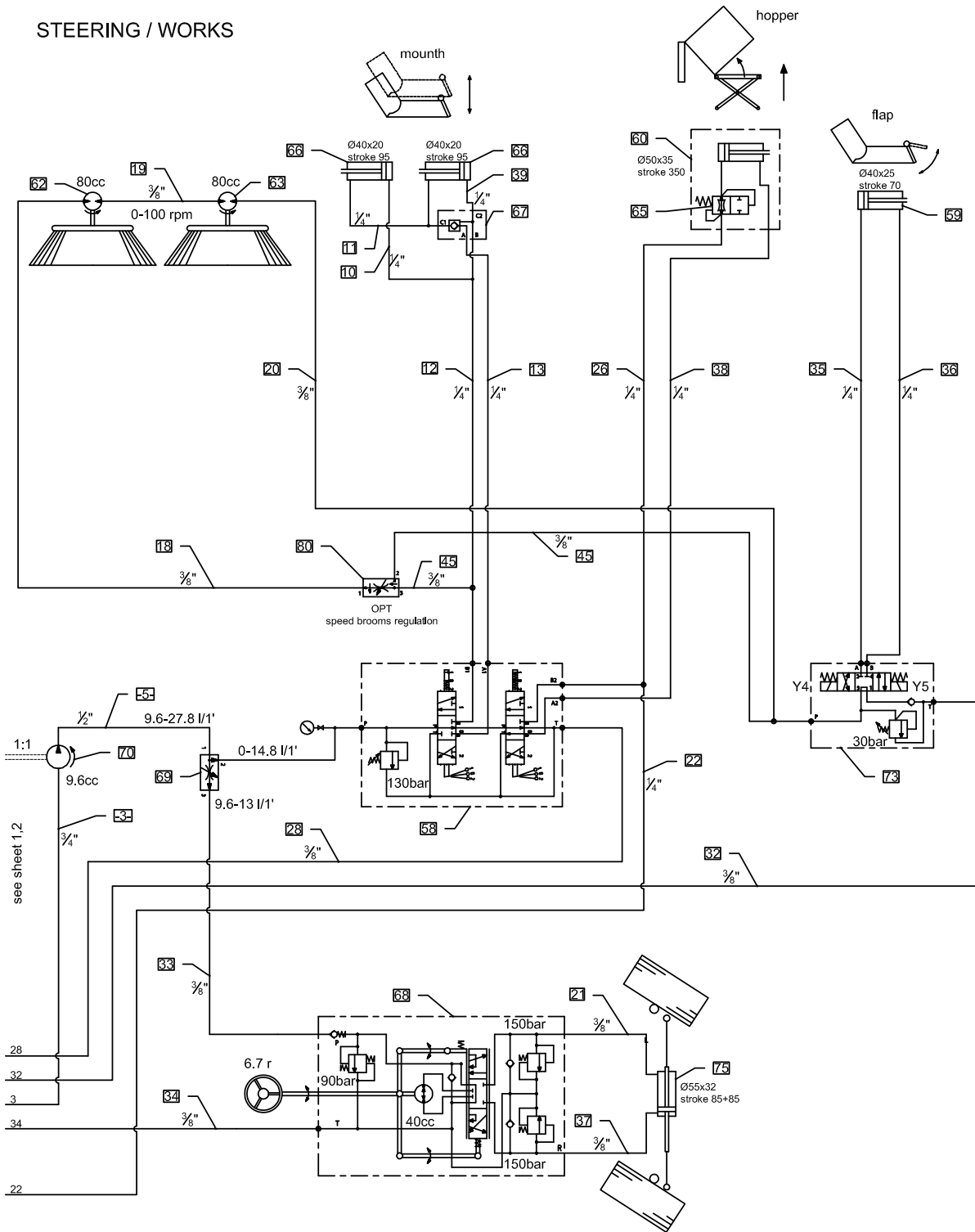
STEERING / WORKS



Item	Ref. No.	Qty	Description
1	33015308	1	HYDRAULIC HOSE
2	33015309	1	HYDRAULIC HOSE
3	33019263	1	HYDRAULIC HOSE 3/4" R1 L=870
4	33015311	1	HYDRAULIC HOSE
5	33019294	1	HYDRAULIC HOSE 1/2" R2 L=700
6	33015313	1	HYDRAULIC HOSE
7	33015314	1	HYDRAULIC HOSE
8	33015315	1	HYDRAULIC HOSE
9	33015316	1	HYDRAULIC HOSE
10	33010951	1	HYDRAULIC HOSE
11	33010952	1	HYDRAULIC HOSE
12	33010953	1	HYDRAULIC HOSE
13	33015317	1	HYDRAULIC HOSE
14	33015318	2	HYDRAULIC HOSE
15	33015319	1	HYDRAULIC HOSE
16	33015320	1	HYDRAULIC HOSE
17	33015321	1	HYDRAULIC HOSE
18	33015322	1	HYDRAULIC HOSE
19	33015323	1	HYDRAULIC HOSE
20	33015522	1	HYDRAULIC HOSE
21	33019313	1	HYDRAULIC HOSE 3/8" R2 L=3000
22	33015326	1	HYDRAULIC HOSE
23	33015327	1	HYDRAULIC HOSE
24	33015328	1	HYDRAULIC HOSE
25	33015329	1	HYDRAULIC HOSE
26	33019315	1	HYDRAULIC HOSE 1/4" R2 L=2060
28	33015331	1	HYDRAULIC HOSE
29	33015332	1	HYDRAULIC HOSE
30	33015333	1	HYDRAULIC HOSE
31	33015334	1	HYDRAULIC HOSE
32	33015335	1	HYDRAULIC HOSE
33	33015336	1	HYDRAULIC HOSE
34	33015337	1	HYDRAULIC HOSE
35	33015387	1	HYDRAULIC HOSE EYE-EYE 1/4"
36	33010977	1	HYDRAULIC HOSE
37	33019317	1	HYDRAULIC HOSE 3/8" R2 L=2940
38	33019316	1	HYDRAULIC HOSE 1/4" R2 L=2600
39	33011057	1	HYDRAULIC HOSE
40	33015341	1	HYDRAULIC HOSE
41	33015475	1	HYDRAULIC HOSE
42#	33015510	1	HYDRAULIC HOSE
43	33019320	1	HYDRAULIC HOSE 1/2" L=1250
44	33015357	2	HYDRAULIC HOSE
45	145 9800 000	2	HYDRAULIC HOSE
46	33014964	1	HYDRAULIC HOSE
47	33020376	1	HYDRAULIC HOSE 1/2" R2 L=500
48	33020375	1	HYDRAULIC HOSE 1/2" R2 L=500
50	33015422	1	OIL TANK
51	33010199	1	OIL FILTER HYDRAULIC
52	33010199	1	OIL FILTER HYDRAULIC
53	33010199	1	OIL FILTER HYDRAULIC
54	33013035	1	PUMP HP 21
55	33018412	1	ENGINE KUBOTA V1505T
56	33013033	1	MOTOR WHEEL P1G 175CC LEFT
56A#	33022308	1	KIT MOTOR WHEEL
57	33013032	1	MOTOR WHEEL P1G 175CC RIGHT
57A#	33022308	1	KIT MOTOR WHEEL
58	33014889	1	DISTRIBUTOR 2 ELEMENTS
59	33002217	1	CYLINDER HYDRAULIC
60	33018418	1	LIFTING HYDRAULIC CYLINDER
61	33010395	1	PUMP
62	33018182	1	MOTOR HYDRAULIC F/SIDE OMP80
63	33018182	1	MOTOR HYDRAULIC F/SIDE OMP80
64	33002370	1	OIL EXCHANGER
65	33010507	1	VALVE 1/4"
66	33001522	2	CYLINDER HYDRAULIC
67#	33010483	1	LOCKING VALVE 1/4" S. E.
68	33018179	1	POWER STEERING HKUS40

A: Please verify the model on the motorwheel before placing an order

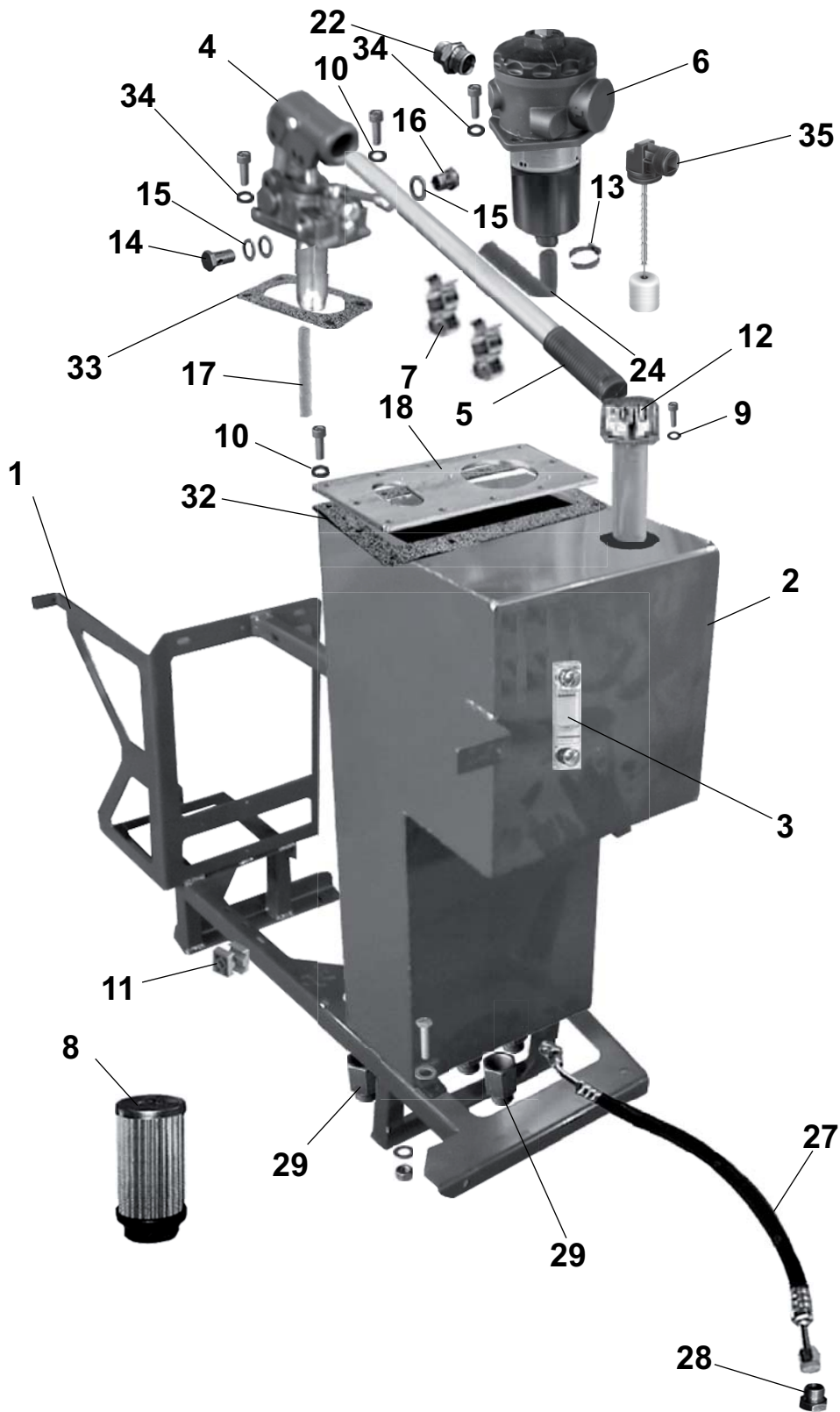
STEERING / WORKS



2009-04	HYDRAULIC SYSTEM	BOOK F		
2012-05	RS 501	F		61

Item	Ref. No.	Qty	Description
69	33010503	1	VALVE PRIORITY
70	33018441	1	GEAR PUMP 14+9,6 CC
71	33018441	1	GEAR PUMP 14+9,6 CC
72	33010534	1	1 ELEMENT DISTRIBUTOR
73	33010499	1	SOLENOID VALVE
74	33015774	1	HYDRAULIC ENGINE 11CC KIT
75	33017656	1	CYLINDER HYDRAULIC
76	33015041	1	PEDAL COMPLETE
77	33015591	1	FILTER ON LINE
78	33010215	1	OIL FILTER HYDRAULIC
79	33010402	1	H.POWER PUMP+REGULATOR
80	33010518	1	FLOW REGULATOR 30L
81	33015593	1	PLUG FILLING
82	33020377	1	H.P PUMP SAFETY SOLENOID VALVE

BOOK F		OIL TANK	2009-04
62	F	RS 501	2012-05



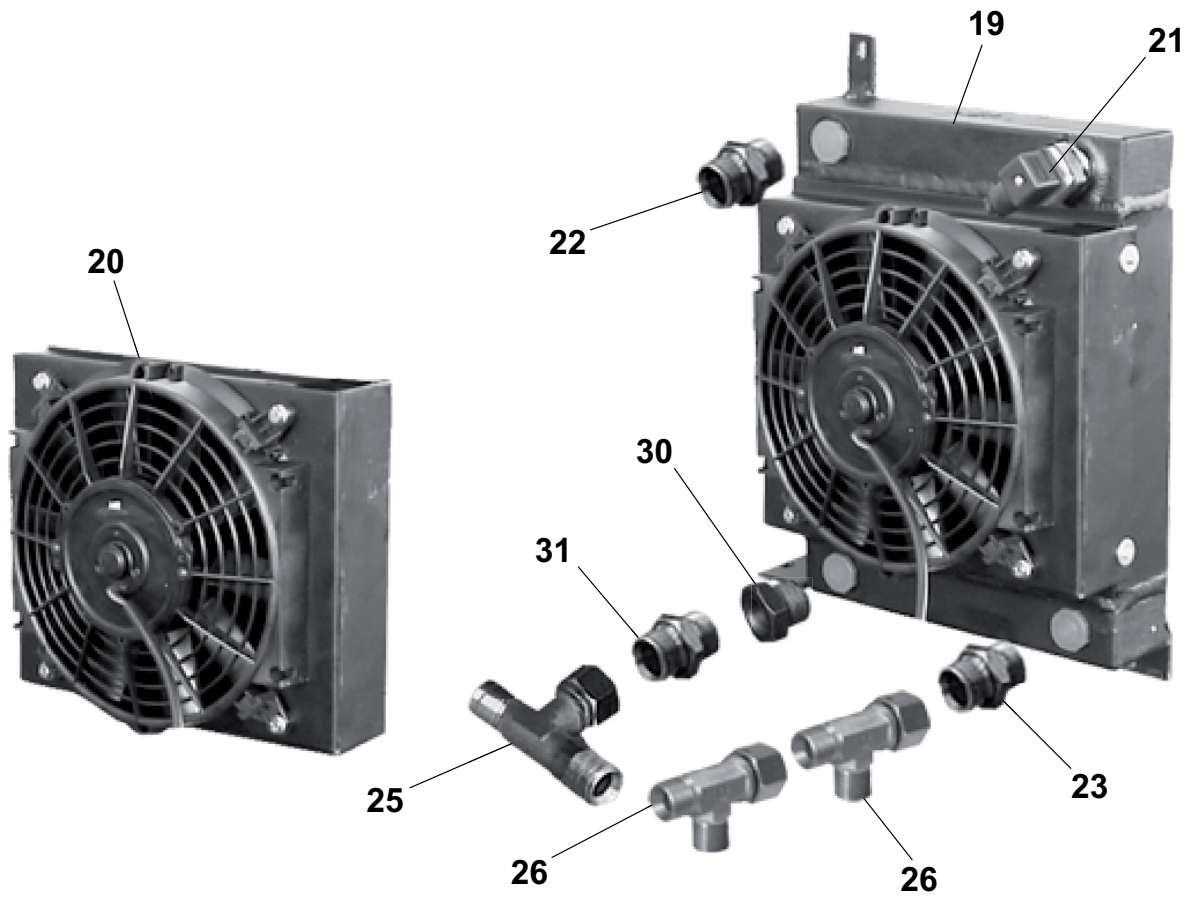
2009-04	OIL TANK	BOOK F		
2012-05	RS 501	F		63

Item	Ref. No.	Qty	Description
1	33012895	1	SUPPORT
2	33015422	1	OIL TANK
3	33011529	1	OIL LEVEL
4A#	33022029	1	HAND PUMP KIT
4B#	33022031	1	HAND PUMP
5A#	33022030	1	PUMP LEVER
5B	33003398	1	PUMP LEVER
6	33015591	1	FILTER ON LINE
7	33020862	2	SPRING
8	33010199	3	OIL FILTER HYDRAULIC
9	33015592	6	COPPER WASHER D.5
10	33015576	12	COPPER WASHER D.6
11	33003441	1	DOUBLE COLLAR Ø20
12	33015593	1	PLUG FILLING
13	L08601663	1	CLAMP 12/32-50
14	33011254	1	THROUGH SCREW 1/4"
15	33011718	3	STEEL/RUBBER WASHER 1/4"
16	33011454	1	PLUG 1/4"
17	33015219	1	HOSE RILSAN D.8X10
18	33019237	1	COVER
19	33002370	1	OIL EXCHANGER
20	33008153	1	ELECTROFAN
21	33008890	1	OIL BULB EXCHANGER
22	33017182	2	NIPPLE 3/4" - 22LR GG
23	33017181	1	NIPPLE 3/4" - 15LR GG
24	33015580	1	PIPE 26X36 L=350
25	146 0082 00	1	T-FITTING D12
26	33015351	2	T-FITTING D15
27	33015341	1	HYDRAULIC HOSE
28	33015414	1	PLUG D.15
29	33015343	4	STUD BOLT 3/4" D22 30MM
30	33017183	1	REDUCTION 3/4" 1/2"GG
31	146 0075 00	1	NIPPLE 1/2" - D12
32	33019238	1	COVER GASKET
33	33015579	1	PUMP GASKET
34	33015577	5	COPPER WASHER D.8
35	33019234	1	SENSOR LEVEL

A: before s/n 111200067

B: starting from s/n 111200068

BOOK F		OIL TANK	2009-04
64	F	RS 501	2012-05



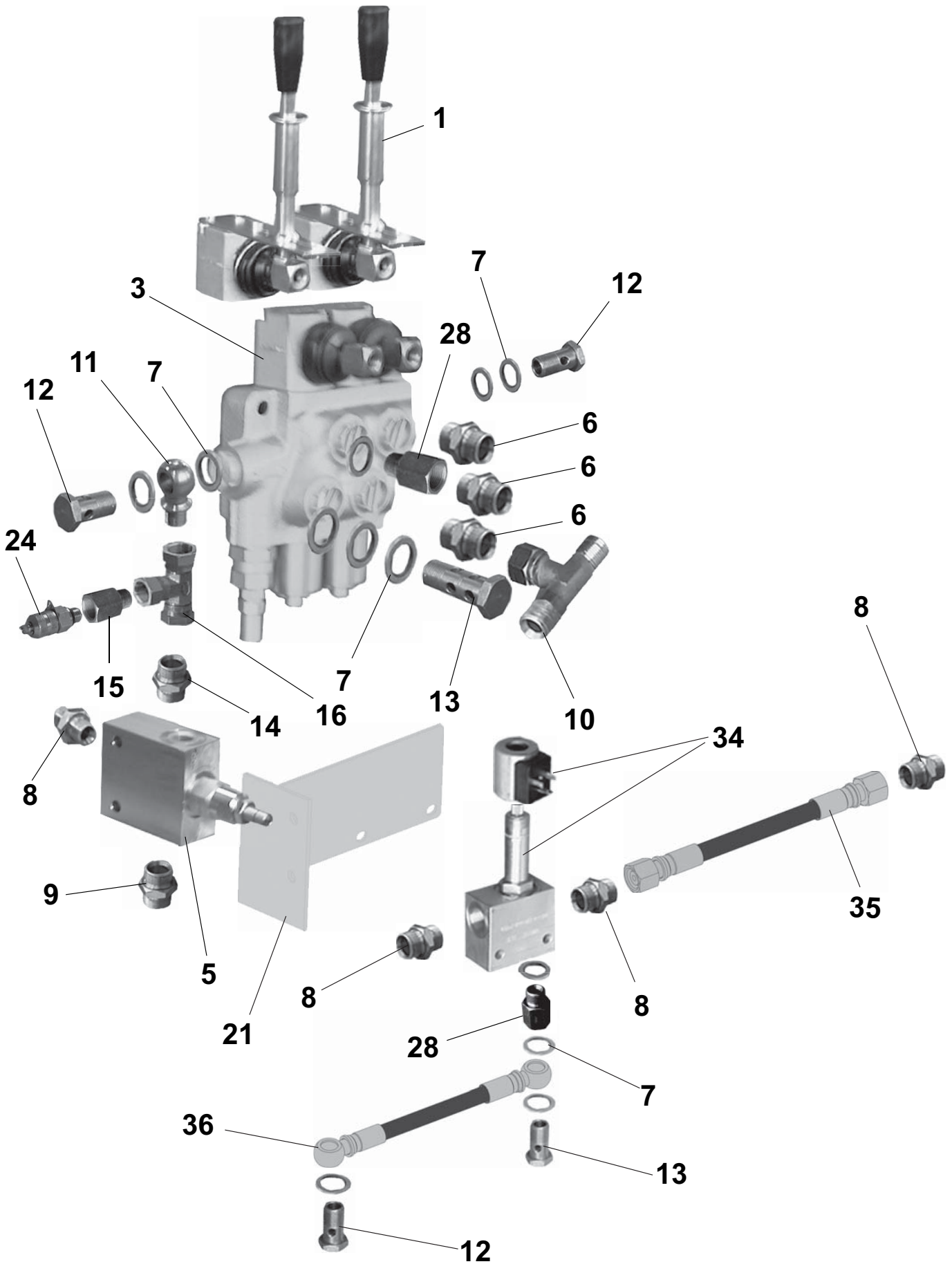
2009-04	OIL TANK	BOOK F		
2012-05	RS 501	F		65

Item	Ref. No.	Qty	Description
1	33012895	1	SUPPORT
2	33015422	1	OIL TANK
3	33011529	1	OIL LEVEL
4A#	33022029	1	HAND PUMP KIT
4B#	33022031	1	HAND PUMP
5A#	33022030	1	PUMP LEVER
5B	33003398	1	PUMP LEVER
6	33015591	1	FILTER ON LINE
7	33020862	2	SPRING
8	33010199	3	OIL FILTER HYDRAULIC
9	33015592	6	COPPER WASHER D.5
10	33015576	12	COPPER WASHER D.6
11	33003441	1	DOUBLE COLLAR Ø20
12	33015593	1	PLUG FILLING
13	L08601663	1	CLAMP 12/32-50
14	33011254	1	THROUGH SCREW 1/4"
15	33011718	3	STEEL/RUBBER WASHER 1/4"
16	33011454	1	PLUG 1/4"
17	33015219	1	HOSE RILSAN D.8X10
18	33019237	1	COVER
19	33002370	1	OIL EXCHANGER
20	33008153	1	ELECTROFAN
21	33008890	1	OIL BULB EXCHANGER
22	33017182	2	NIPPLE 3/4" - 22LR GG
23	33017181	1	NIPPLE 3/4" - 15LR GG
24	33015580	1	PIPE 26X36 L=350
25	146 0082 00	1	T-FITTING D12
26	33015351	2	T-FITTING D15
27	33015341	1	HYDRAULIC HOSE
28	33015414	1	PLUG D.15
29	33015343	4	STUD BOLT 3/4" D22 30MM
30	33017183	1	REDUCTION 3/4" 1/2"GG
31	146 0075 00	1	NIPPLE 1/2" - D12
32	33019238	1	COVER GASKET
33	33015579	1	PUMP GASKET
34	33015577	5	COPPER WASHER D.8
35	33019234	1	SENSOR LEVEL

A: before s/n 111200067

B: starting from s/n 111200068

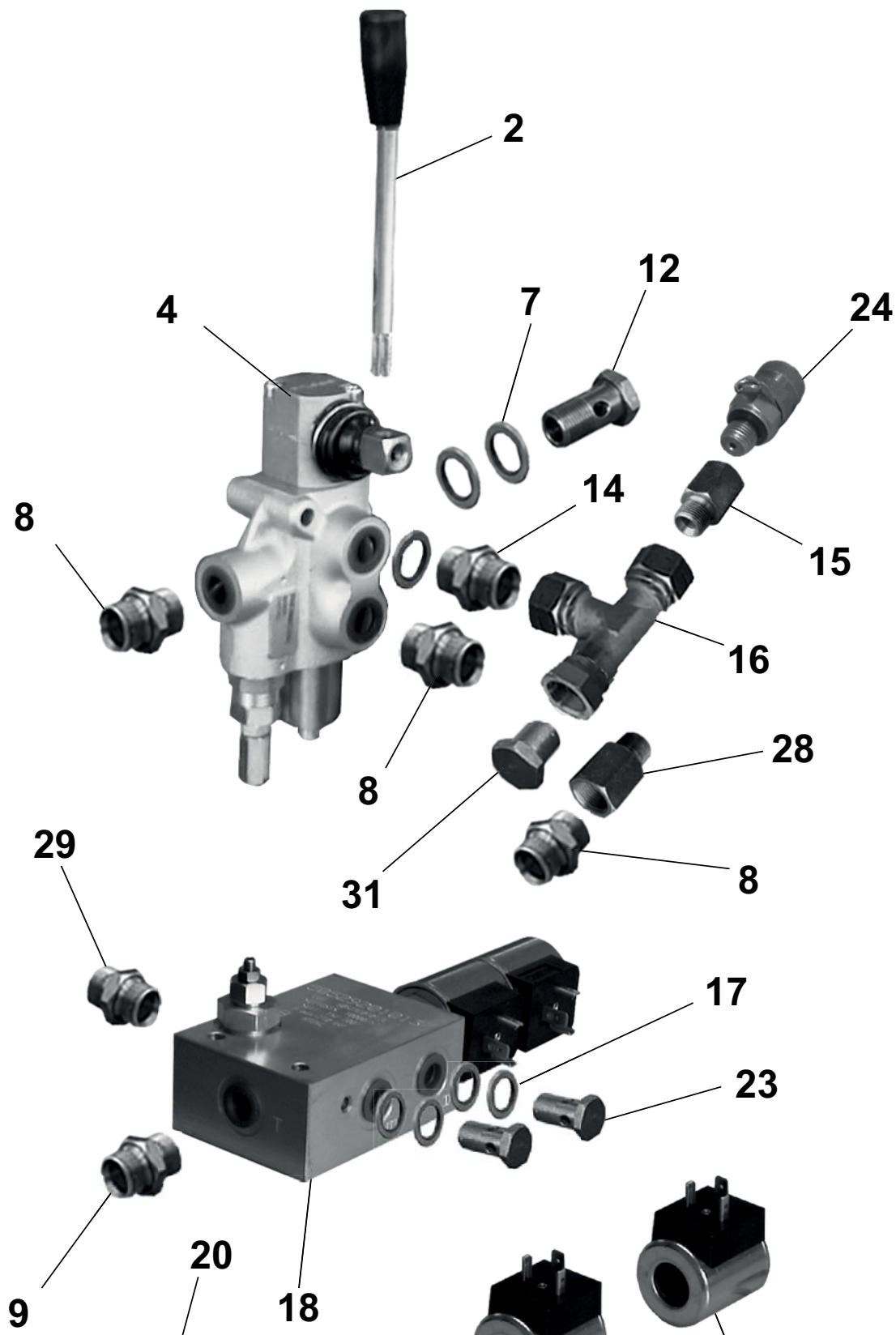
BOOK F		HYDRAULIC SYSTEM		2009-04
66	F	RS 501		2012-05



2009-04	HYDRAULIC SYSTEM	BOOK F		
2012-05	RS 501	F		67

Item	Ref. No.	Qty	Description
1	33010504	2	LEVER
2	33010495	1	DISTRIBUTOR LEVER
3	33014889	1	DISTRIBUTOR 2 ELEMENTS
4	33010534	1	1 ELEMENT DISTRIBUTOR
5	33010503	1	VALVE PRIORITY
6	146 0505 000	3	NIPPLE 3/8" - D10
7	33011722	14	STEEL/RUBBER WASHER 3/8"
8	145 5179 000	7	NIPPLE 3/8" - D15
9	146 0077 00	2	NIPPLE 3/8" - D12
10	146 0507 000	1	T-FITTING D10
11	33011475	1	EYE 3/8"
12	33011255	4	THROUGH SCREW 3/8"
13	33011266	2	DOUBLE THROUGH SCREW 3/8"
14	33011185	2	NIPPLE 3/8"
15	33015532	2	REDUCTION GEAR MF 3/8" 1/4"
16	33011348	2	T-FITTING 3/8"
17	33011718	12	STEEL/RUBBER WASHER 1/4"
18	33010499	1	SOLENOID VALVE
19	33010469	2	SOLENOID HYDAC 12V
20	33011597	1	VALVE LIMITING 3RD BROOM
21	33009054	1	VALVE BLOCK
22	33010467	1	ELECTROVALVE SOLENOID DOUBLE
23	33011254	4	THROUGH SCREW 1/4"
24	33010508	2	FITTING QUICK 1/4"
25	33016876	2	KIT SENSOR
26	33015041	1	PEDAL COMPLETE
27	33011635	1	PLATE
27A#	33021262	1	PLATE
28	33011362	3	STUD BOLT M/F 3/8" 20 MM
29	33011205	1	NIPPLE 3/8"-1/4"
30	33011259	2	THROUGH SCREW 1/4" D1
31	33011472	1	PLUG 3/8"
32	33019525	1	PEDAL EXTENSION
33	33019526	1	ANTISLIP L=70
34	33020383	1	SOLENOID VALVE
35	33020375	1	HYDRAULIC HOSE 1/2" R2 L=500
36	33020376	1	HYDRAULIC HOSE 1/2" R2 L=430
37	33020382	1	SUPPORT
0A	33020386	1	PUMP PROTECTION KIT (POS. 7,8,12,13,28,34,35,36,37)

A: Starting from s/n 094019724
B: Starting from s/n 103106034

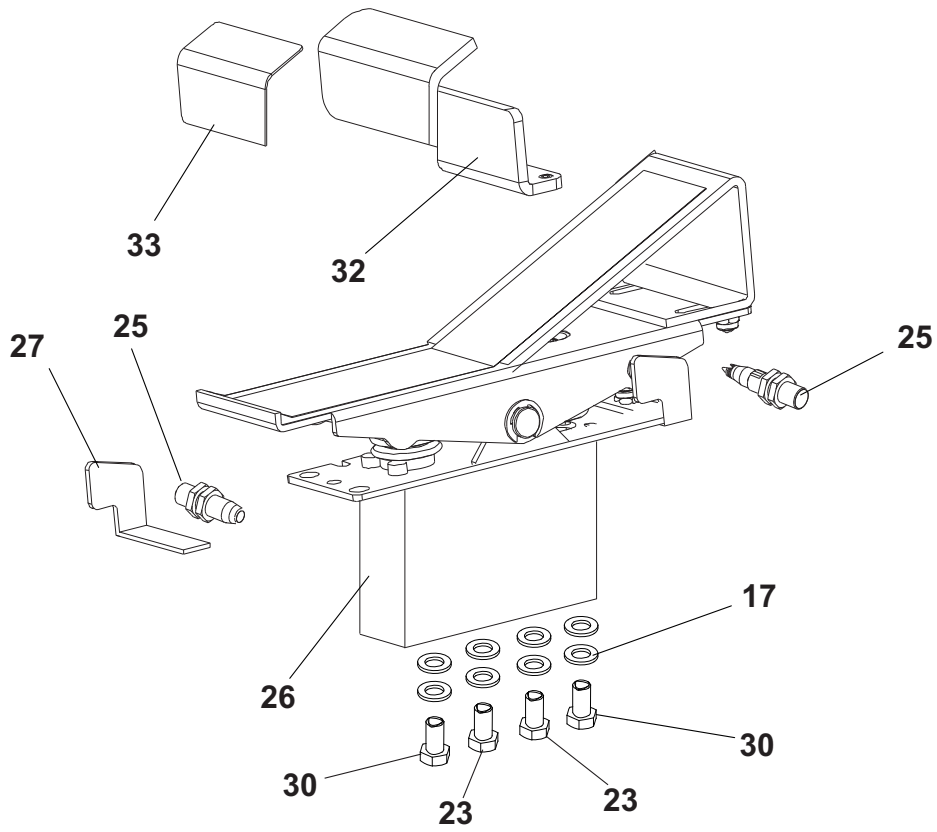


2009-04	HYDRAULIC SYSTEM	BOOK F		
2012-05	RS 501	F		69

Item	Ref. No.	Qty	Description
1	33010504	2	LEVER
2	33010495	1	DISTRIBUTOR LEVER
3	33014889	1	DISTRIBUTOR 2 ELEMENTS
4	33010534	1	1 ELEMENT DISTRIBUTOR
5	33010503	1	VALVE PRIORITY
6	146 0505 000	3	NIPPLE 3/8" - D10
7	33011722	14	STEEL/RUBBER WASHER 3/8"
8	145 5179 000	7	NIPPLE 3/8" - D15
9	146 0077 00	2	NIPPLE 3/8" - D12
10	146 0507 000	1	T-FITTING D10
11	33011475	1	EYE 3/8"
12	33011255	4	THROUGH SCREW 3/8"
13	33011266	2	DOUBLE THROUGH SCREW 3/8"
14	33011185	2	NIPPLE 3/8"
15	33015532	2	REDUCTION GEAR MF 3/8" 1/4"
16	33011348	2	T-FITTING 3/8"
17	33011718	12	STEEL/RUBBER WASHER 1/4"
18	33010499	1	SOLENOID VALVE
19	33010469	2	SOLENOID HYDAC 12V
20	33011597	1	VALVE LIMITING 3RD BROOM
21	33009054	1	VALVE BLOCK
22	33010467	1	ELECTROVALVE SOLENOID DOUBLE
23	33011254	4	THROUGH SCREW 1/4"
24	33010508	2	FITTING QUICK 1/4"
25	33016876	2	KIT SENSOR
26	33015041	1	PEDAL COMPLETE
27	33011635	1	PLATE
27A#	33021262	1	PLATE
28	33011362	3	STUD BOLT M/F 3/8" 20 MM
29	33011205	1	NIPPLE 3/8"-1/4"
30	33011259	2	THROUGH SCREW 1/4" D1
31	33011472	1	PLUG 3/8"
32	33019525	1	PEDAL EXTENSION
33	33019526	1	ANTISLIP L=70
34	33020383	1	SOLENOID VALVE
35	33020375	1	HYDRAULIC HOSE 1/2" R2 L=500
36	33020376	1	HYDRAULIC HOSE 1/2" R2 L=430
37	33020382	1	SUPPORT
0A	33020386	1	PUMP PROTECTION KIT (POS. 7,8,12,13,28,34,35,36,37)

A: Starting from s/n 094019724
B: Starting from s/n 103106034

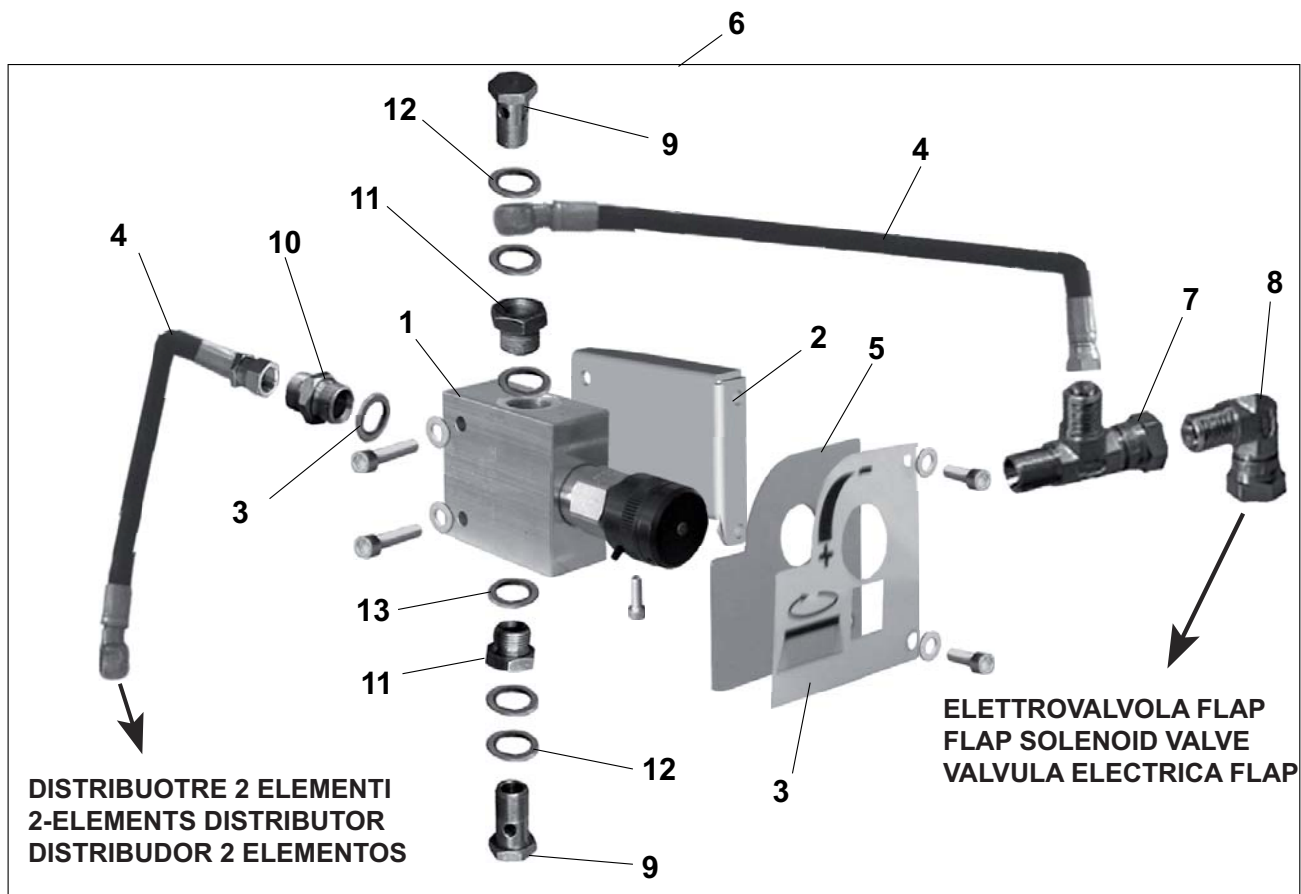
BOOK F		HYDRAULIC SYSTEM	2009-04
70	F	RS 501	2012-05



2009-04	HYDRAULIC SYSTEM	BOOK F		
2012-05	RS 501	F		71

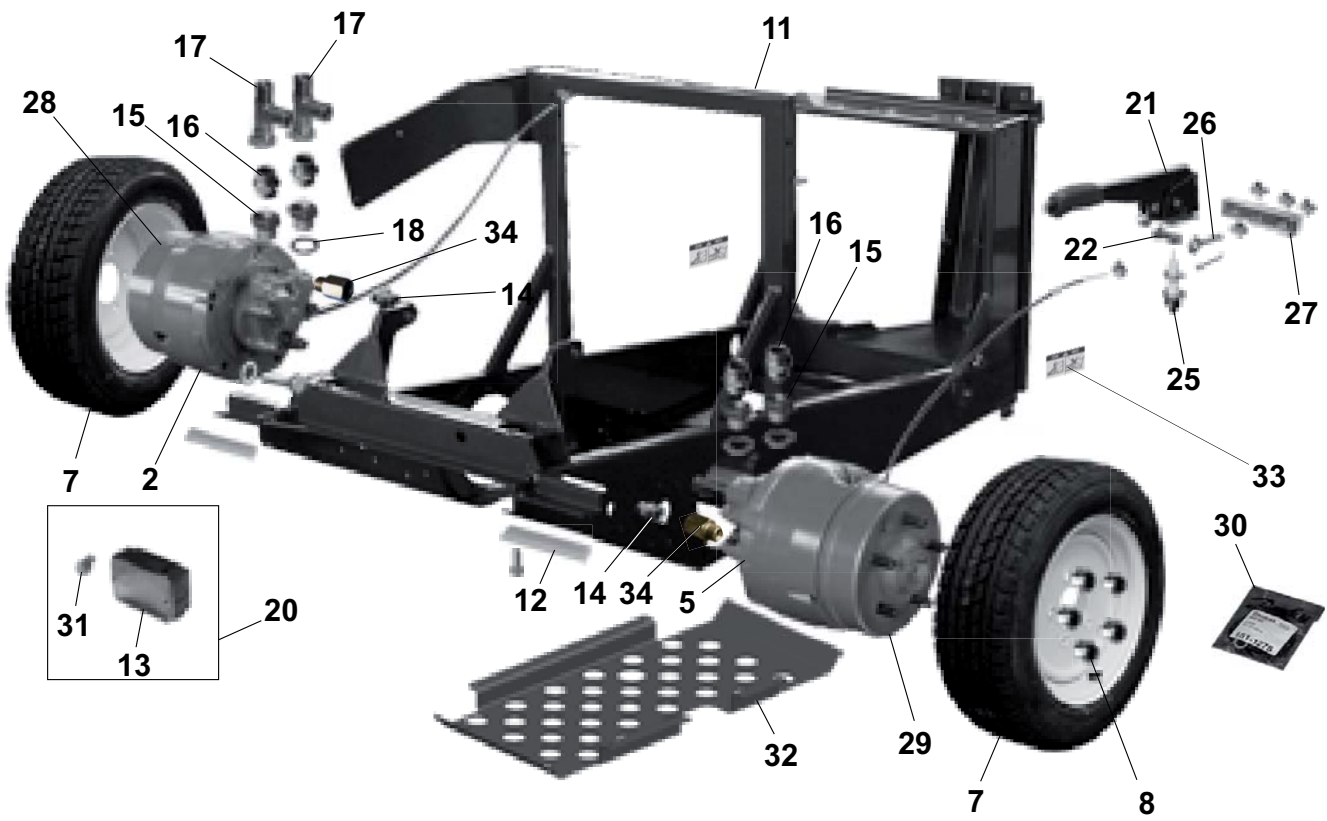
Item	Ref. No.	Qty	Description
1	33010504	2	LEVER
2	33010495	1	DISTRIBUTOR LEVER
3	33014889	1	DISTRIBUTOR 2 ELEMENTS
4	33010534	1	1 ELEMENT DISTRIBUTOR
5	33010503	1	VALVE PRIORITY
6	146 0505 000	3	NIPPLE 3/8" - D10
7	33011722	14	STEEL/RUBBER WASHER 3/8"
8	145 5179 000	7	NIPPLE 3/8" - D15
9	146 0077 00	2	NIPPLE 3/8" - D12
10	146 0507 000	1	T-FITTING D10
11	33011475	1	EYE 3/8"
12	33011255	4	THROUGH SCREW 3/8"
13	33011266	2	DOUBLE THROUGH SCREW 3/8"
14	33011185	2	NIPPLE 3/8"
15	33015532	2	REDUCTION GEAR MF 3/8" 1/4"
16	33011348	2	T-FITTING 3/8"
17	33011718	12	STEEL/RUBBER WASHER 1/4"
18	33010499	1	SOLENOID VALVE
19	33010469	2	SOLENOID HYDAC 12V
20	33011597	1	VALVE LIMITING 3RD BROOM
21	33009054	1	VALVE BLOCK
22	33010467	1	ELECTROVALVE SOLENOID DOUBLE
23	33011254	4	THROUGH SCREW 1/4"
24	33010508	2	FITTING QUICK 1/4"
25	33016876	2	KIT SENSOR
26	33015041	1	PEDAL COMPLETE
27	33011635	1	PLATE
27A#	33021262	1	PLATE
28	33011362	3	STUD BOLT M/F 3/8" 20 MM
29	33011205	1	NIPPLE 3/8"-1/4"
30	33011259	2	THROUGH SCREW 1/4" D1
31	33011472	1	PLUG 3/8"
32	33019525	1	PEDAL EXTENSION
33	33019526	1	ANTISLIP L=70
34	33020383	1	SOLENOID VALVE
35	33020375	1	HYDRAULIC HOSE 1/2" R2 L=500
36	33020376	1	HYDRAULIC HOSE 1/2" R2 L=430
37	33020382	1	SUPPORT
0A	33020386	1	PUMP PROTECTION KIT (POS. 7,8,12,13,28,34,35,36,37)

A: Starting from s/n 094019724
B: Starting from s/n 103106034



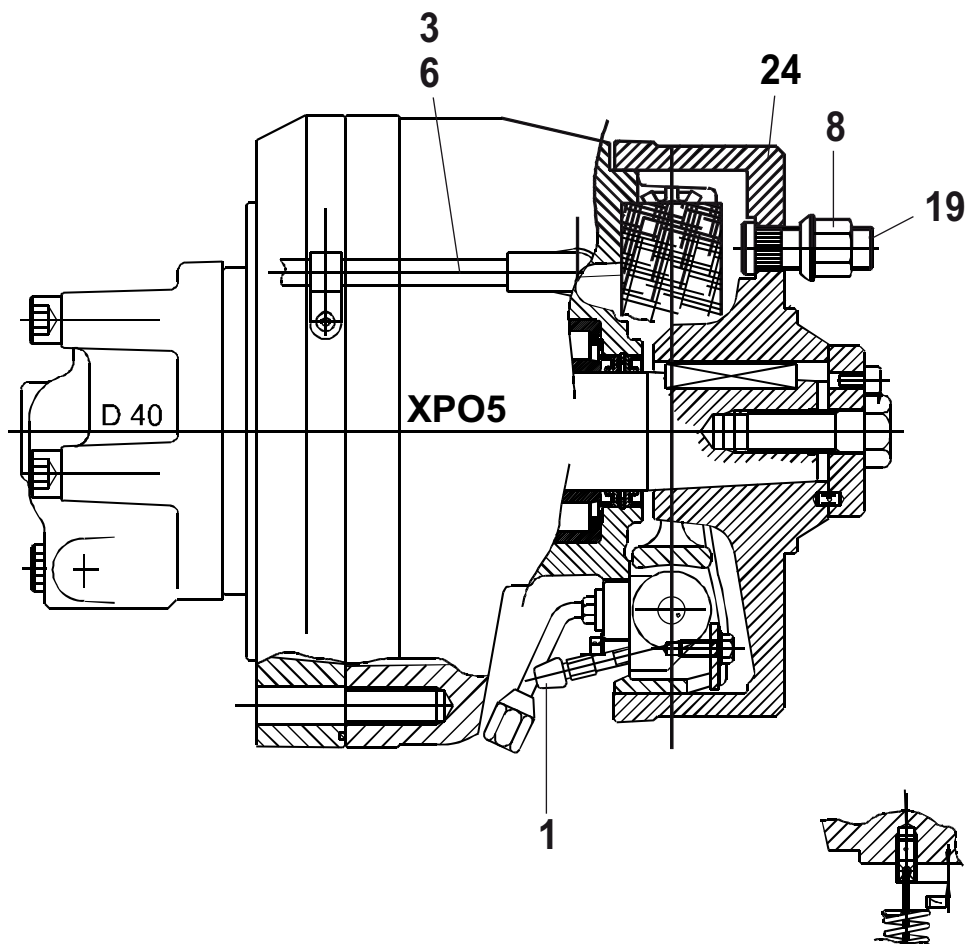
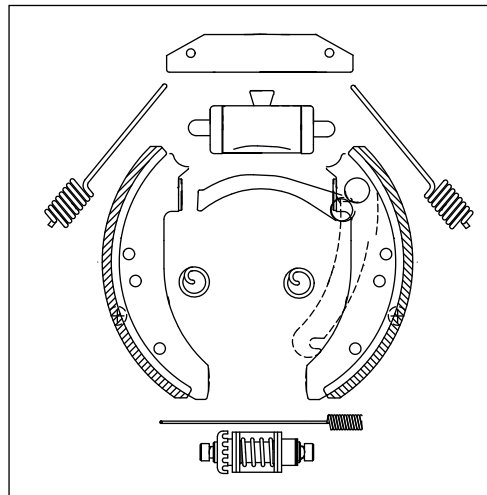
Item	Ref. No.	Qty	Description
1	33010518	1	FLOW REGULATOR 30L
2	33015428	1	SUPPORT FLOW REGULATOR
3	33015470	1	DECAL ADJUSTEMENT
4	145 9800 000	2	HYDRAULIC HOSE
5	33015429	1	SUPPORT DECAL
6	33015472	1	KIT ADJUSTABLE BROOM SPEED
7	33011235	1	T-FITTING 3/8"
8	33011336	1	FITTING 3/8"
9	33011255	2	THROUGH SCREW 3/8"
10	145 4288 000	1	NIPPLE 3/8" 1/2"
11	33011493	2	REDUCTION 1/2" - 3/8"
12	145 6021 000	5	STEEL/RUBBER WASHER 3/8"
13	145 5172 000	3	WASHER

BOOK F		WHEEL MOTOR		2009-04
74	F	RS 501		2012-05



2009-04	WHEEL MOTOR	BOOK F		
2012-05	RS 501	F		75

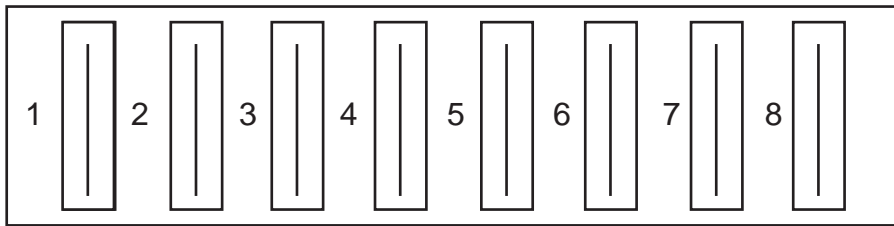
Item	Ref. No.	Qty	Description
1	33014738	2	DRAINAGE VALVE
2	33013032	1	MOTOR WHEEL P1G 175CC RIGHT
2A#	33022308	1	KIT MOTOR WHEEL
3	33003411	1	RIGHT BRAKE CABLE
4	33018579	1	KIT LEFT BRAKE
5	33013033	1	MOTOR WHEEL P1G 175CC LEFT
5A#	33022308	1	KIT MOTOR WHEEL
6	33003412	1	LEFT BRAKE CABLE
7	33015431	2	WHEEL 165/70 R14 89Q
8	33014776	10	NUT COLUMN M16X1.5
9	33015452	2	TYRE 165/70 R14
10	33015451	2	RIM R14 JX14 H2
11	33018393	1	CHASSIS
12	33001672	2	BUFFER
13	33008817	1	HEADLIGHT
14	146 2977 000	2	NIPPLE 1/4" - D10
15	33015353	4	RIDUCER FITTING 1" 3/4"
16	33015347	4	NIPPLE 3/4" - D20
17	33015346	2	T-FITTING D20
18	33011720	4	STEEL/RUBBER WASHER 1"
19	33007639	10	STUD BOLT 16X1.5X50
20*	33019797	1	KIT WORKING LIGHT
21	33015641	1	HANDBRAKE LEVER
22	33003044	1	PIN
23	33018578	1	KIT RIGHT BRAKE
24	33009643	2	WHEEL HUB
25	33008741	1	MICROSWITCH F/PARKBRAKE
26	33002322	1	TIE-ROD
27	33013517	1	PLATE
28	33009730	1	BRAKE ASSY RIGHT
29	33009731	1	BRAKE ASSY LEFT
30	33019513	1	GASKET KIT F/XP05
30A	33015534	1	GASKET KIT F/P1G
31	33009149	1	LAMP 12V 21W
32	33018403	1	ENGINE PROTECTION
33	33019858	1	DECALS KIT RS502
34	33011354	2	STUD BOLT M/F 1/4" 30 MM



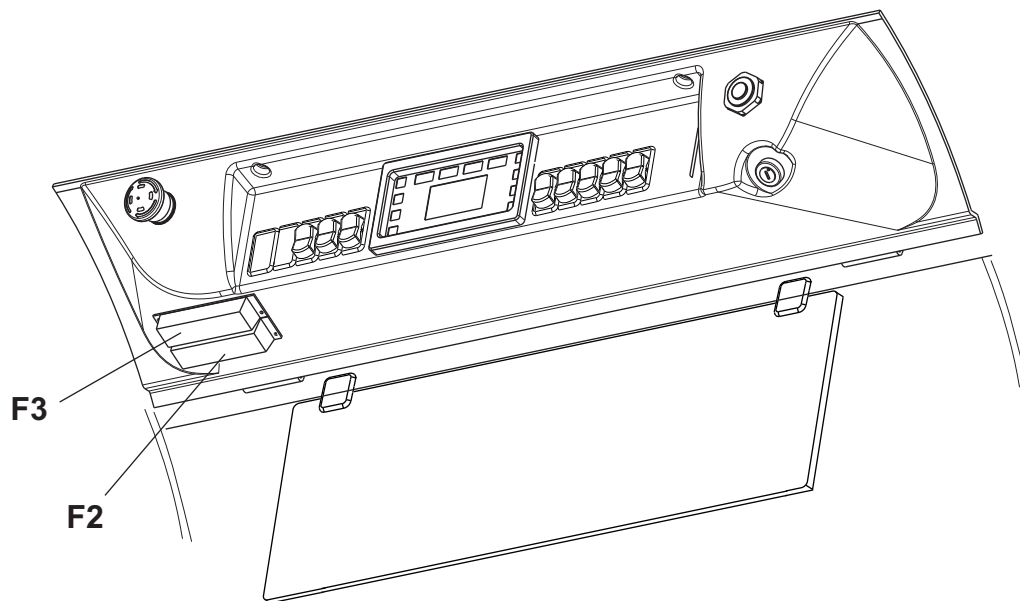
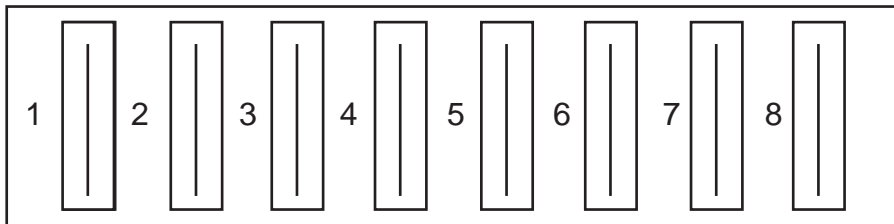
2009-04	WHEEL MOTOR	BOOK F		
2012-05	RS 501	F		77

Item	Ref. No.	Qty	Description
1	33014738	2	DRAINAGE VALVE
2	33013032	1	MOTOR WHEEL P1G 175CC RIGHT
2A#	33022308	1	KIT MOTOR WHEEL
3	33003411	1	RIGHT BRAKE CABLE
4	33018579	1	KIT LEFT BRAKE
5	33013033	1	MOTOR WHEEL P1G 175CC LEFT
5A#	33022308	1	KIT MOTOR WHEEL
6	33003412	1	LEFT BRAKE CABLE
7	33015431	2	WHEEL 165/70 R14 89Q
8	33014776	10	NUT COLUMN M16X1.5
9	33015452	2	TYRE 165/70 R14
10	33015451	2	RIM R14 JX14 H2
11	33018393	1	CHASSIS
12	33001672	2	BUFFER
13	33008817	1	HEADLIGHT
14	146 2977 000	2	NIPPLE 1/4" - D10
15	33015353	4	RIDUCER FITTING 1" 3/4"
16	33015347	4	NIPPLE 3/4" - D20
17	33015346	2	T-FITTING D20
18	33011720	4	STEEL/RUBBER WASHER 1"
19	33007639	10	STUD BOLT 16X1.5X50
20*	33019797	1	KIT WORKING LIGHT
21	33015641	1	HANDBRAKE LEVER
22	33003044	1	PIN
23	33018578	1	KIT RIGHT BRAKE
24	33009643	2	WHEEL HUB
25	33008741	1	MICROSWITCH F/PARKBRAKE
26	33002322	1	TIE-ROD
27	33013517	1	PLATE
28	33009730	1	BRAKE ASSY RIGHT
29	33009731	1	BRAKE ASSY LEFT
30	33019513	1	GASKET KIT F/XP05
30A	33015534	1	GASKET KIT F/P1G
31	33009149	1	LAMP 12V 21W
32	33018403	1	ENGINE PROTECTION
33	33019858	1	DECALS KIT RS502
34	33011354	2	STUD BOLT M/F 1/4" 30 MM

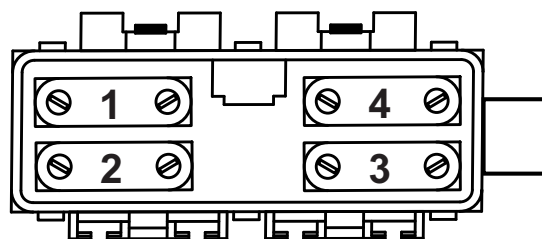
"F2" FUSE HOLDER



"F3" FUSE HOLDER

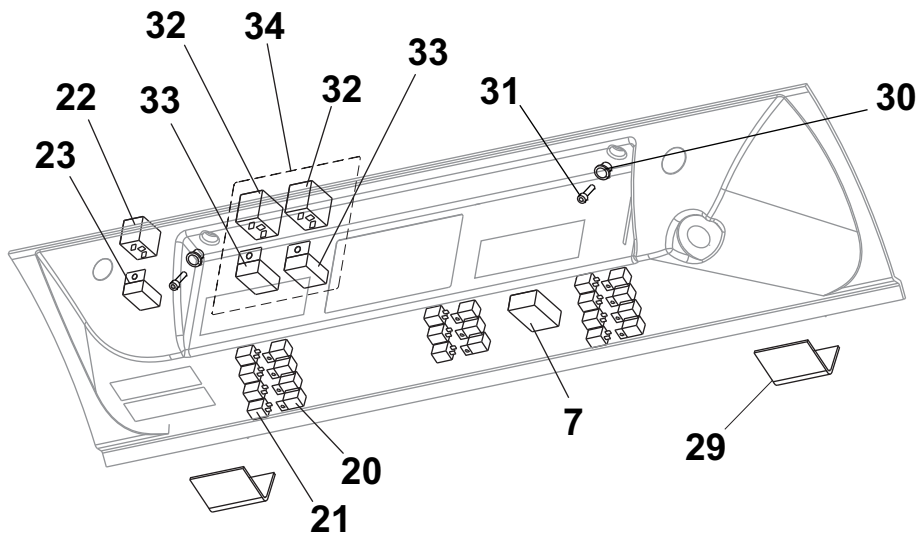
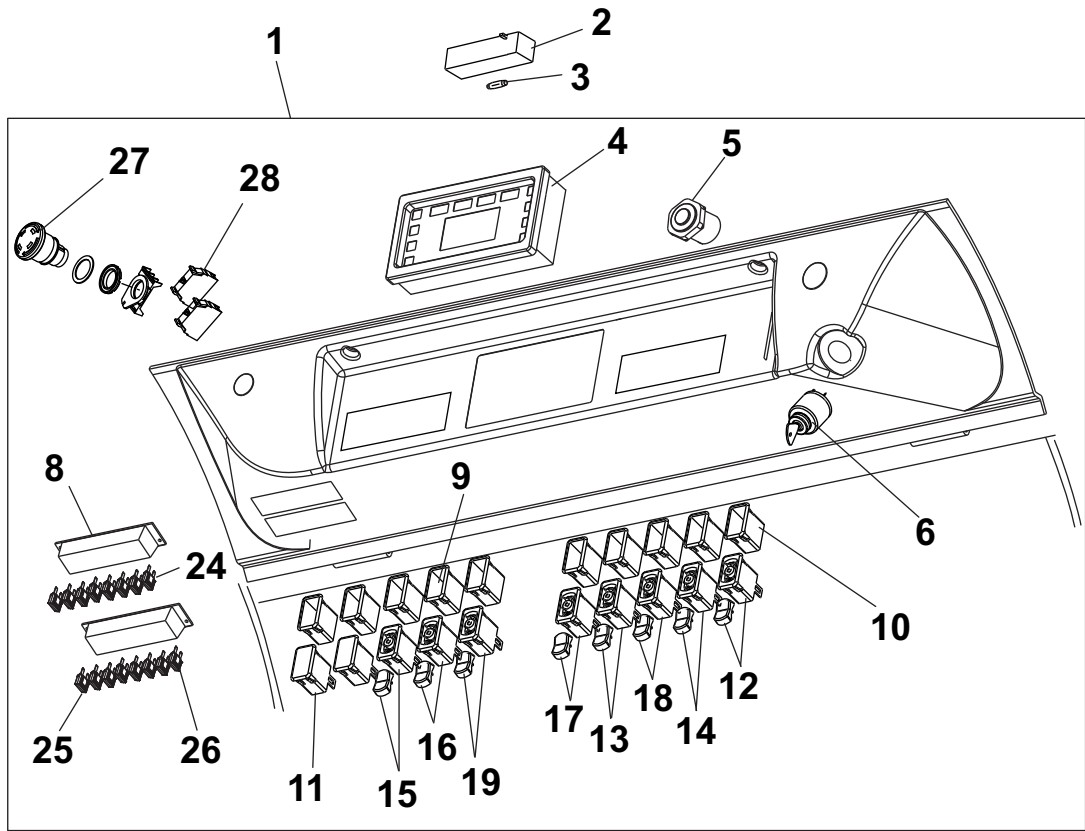


"F1" FUSE HOLDER



	DESCRIPTION	VAL.
F1.1	FUSE GLOW PLUG	40A
F1.2	FUSE LINE	60A
F1.3	FUSE START	40A
F1.4	FUSE ALTERNATOR	60A
F2.1	FUSE DIRECTION INDICATOR	10A
F2.2	FUSE STOP LIGHTS, BRAKE PEDAL MICROSWITCH, REVERSE BUZZER AND HORN	10A
F2.3	FUSE POSITION LIGHT	10A
F2.4	FUSE POSITION LIGHT	10A
F2.5	FUSE DIPPED LIGHTS	15A
F2.6	FUSE HEAD LIGHTS	15A
F2.7	FUSE START KEY, MAIN RELAY, LIGHTS SWITCH +30 AND RADIO	10A
F2.8	FUSE ACCESSORY SOCKET SUPPLY	15A
F3.1	FUSE OIL RADIATOR ELECTROFAN	20A
F3.2	FUSE DIESEL SOLENOID VALVE, ENGINE STOP RELAY AND ALTERNATOR +15	15A
F3.3	FUSE BEACON, AIR CONDITIONING SWITCH AND CABIN FAN SWITCH	20A
F3.4	FUSE WATER PUMP, WINDSCREEN WIPER, WIPER PUMP AND COMPRESSOR	20A
F3.5	FUSIBLE INSTRUMENT SUPPLY, SAFETY CARD, MARCH SENSORS, TACHYMETRIC SENSOR, OVERHEAD LIGHT AND RADIO +15	15A
F3.6	FUSE DIRECTION INDICATOR +15	15A
F3.7	FUSE COMPRESSOR	15A
F3.8	FUSE DOOR ACTUATOR, NEUTRAL MARCH SOLENOID VALVE AND LIGHTING SWITCHES	15A

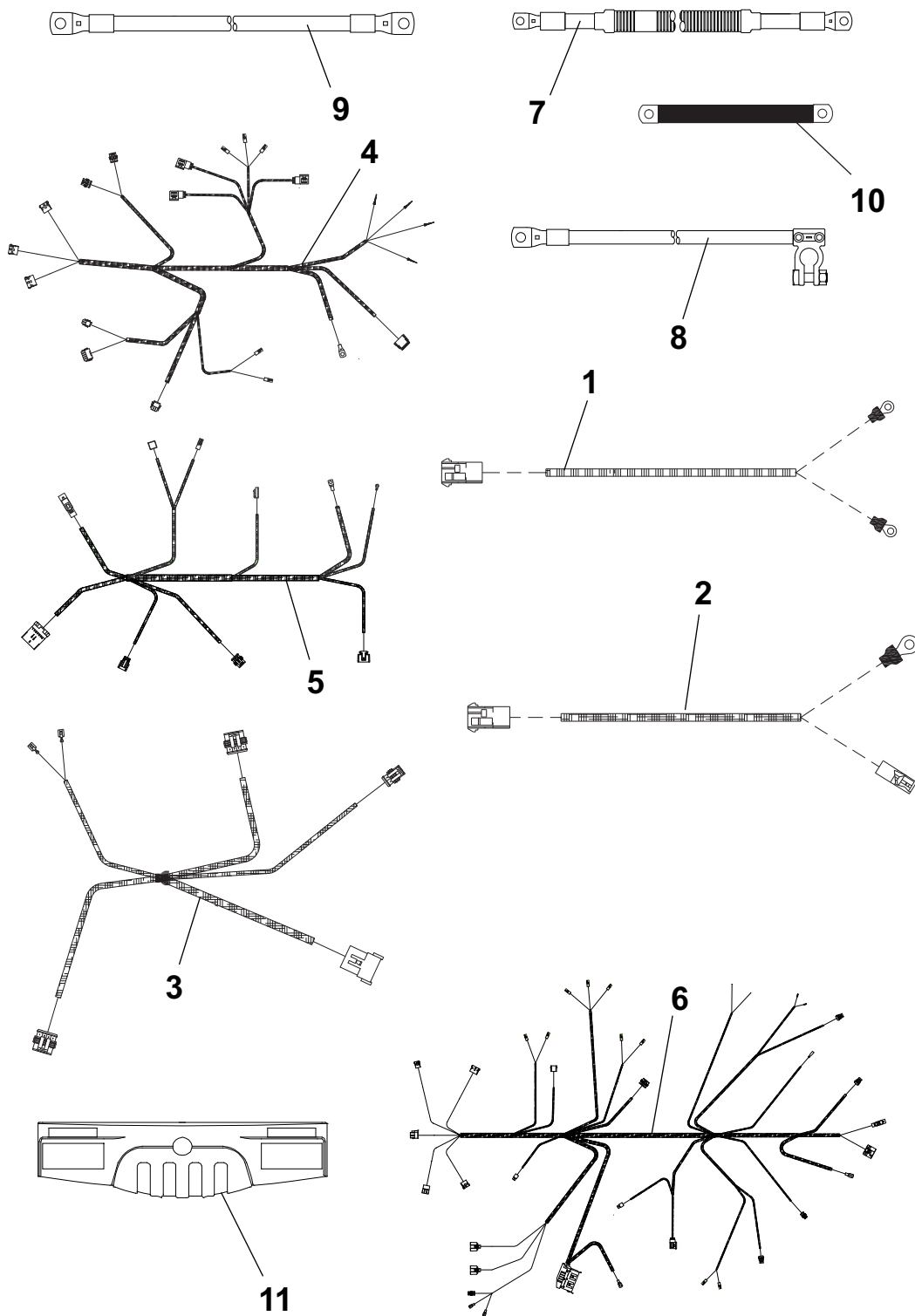
BOOK F		CONTROL PANEL		2009-04
80	F	RS 501		2012-05



2009-04	CONTROL PANEL	BOOK F		
2012-05	RS 501	F		81

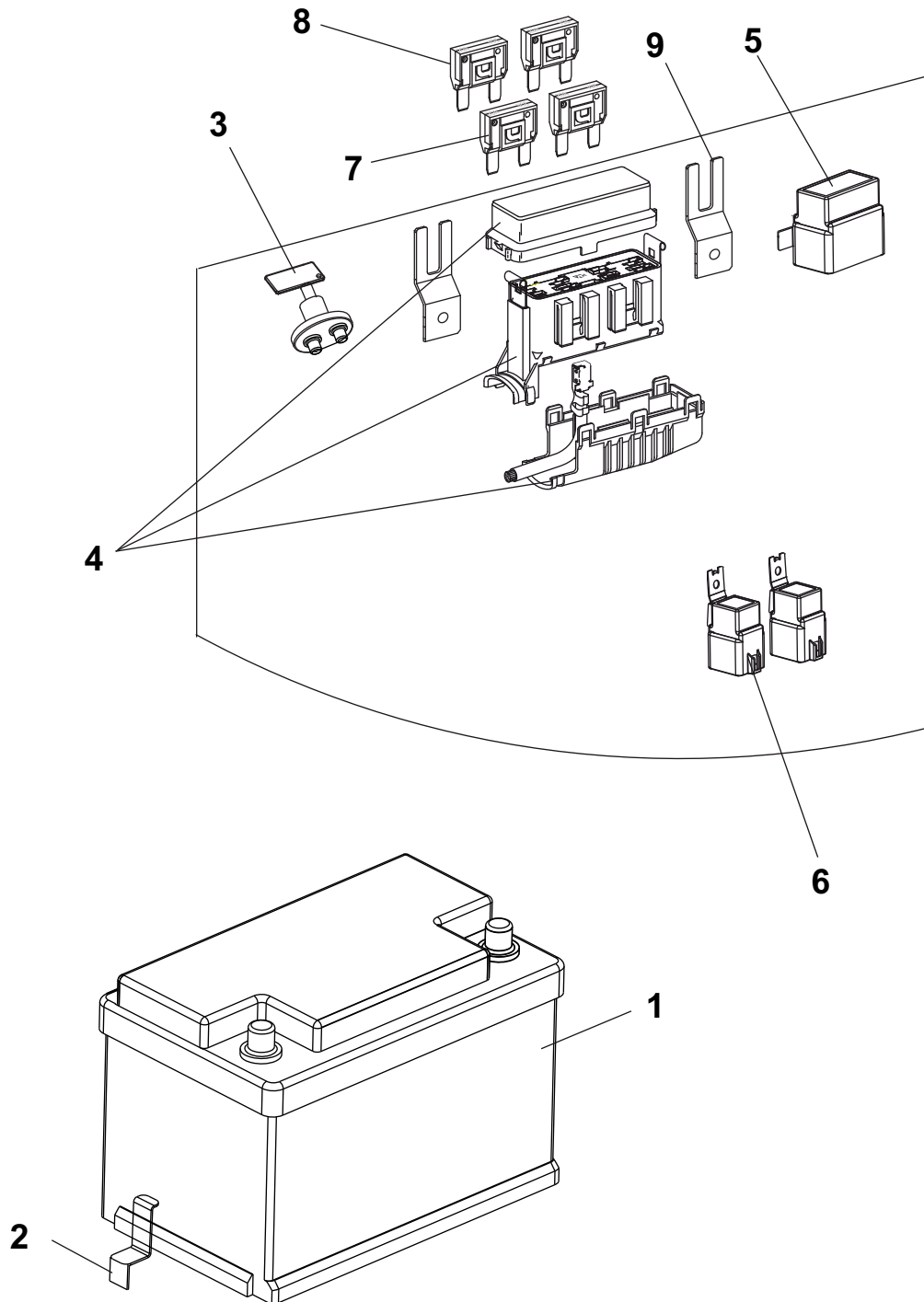
Item	Ref. No.	Qty	Description
1	33019852	1	KIT COMPLETE DASHBOARD
2	33018593	1	ROOF LAMP
3	33009187	1	LAMP 12V 10W
4#	33022176	1	INSTRUMENT DCA25-N
5	909 6126 000	1	BUZZER 5-32V
6	33019588	1	KEY SWITCH
7	33019834	1	ELECTRONIC BOX
8	33015287	2	HOLDER FUSE 8 WAY
9	33015283	6	SWITCH HOLDER 1-WAY
10	33015284	4	SWITCH HOLDER 1-WAY
11	33017408	2	PLUG
12	33019807	1	KIT SWITCH DOOR OPEN
13	33019808	1	KIT SWITCH WATER PUMP
14	33019809	1	KIT SWITCH AIR CONDITIONING
15	33019810	1	KIT SWITCH EMERGENCY LIGHTS
16	33019811	1	KIT SWITCH WORKING LIGHTS
17	33019812	1	KIT SWITCH WINDSCREEN WIPER
18	33019813	1	KIT SWITCH FAN
19	33019814	1	KIT SWITCH DISPLAY SELECTION
20	33009140	11	RELAY HOLDER
21	33009141	11	RELAY 12V COM1
22	33009119	1	RELAY 12V 20/30A
23	33009104	1	RELAY SUPPORT
24	146 0068 00	5	FUSE 10A
25	33009159	8	FUSE 15A
26	33009160	3	FUSE 20A
27	146 1727 000	1	EMERGENCY SWITCH
28	146 1728 000	2	CONTACT
29	33009546	2	HINGE
30	33020366	2	BUSH
31	33004349	2	SCREW 6X35
32A#	33009122	2	RELAY 12V 70A
33A#	33008283	2	RELAY SUPPORT
34B#	33021302	1	RELAY KIT

A: Starting from s/n 101303138
B: To install on the machine before s/n 101303137



2009-04**HARNES****BOOK F****RS 501****F****83**

Item	Ref. No.	Qty	Description
1	33015288	1	HARNES
2	33015289	1	HARNES HORN
3	33019891	1	HARNES REAR LIGHTS
4	33019764	1	HARNES MAIN
5	33019765	1	HARNES ENGINE
6	33019766	1	HARNES WAGON
7	33019767	1	WIRE BATTERY +
8	33019768	1	WIRE BATTERY -
9	33019769	1	WIRE BATTERY DISCONNECTION
10	33008452	1	MOTOR GROUND CONNECTION
11	33019771	1	NOSE CONE COMPLETE



2009-04**BATTERY LOCATION****BOOK F****RS 501****F****85**

Item	Ref. No.	Qty	Description
1	33019628	1	BATTERY 12V 80AH
2	33013492	1	BATTERY STOP
3	145 1779 000	1	BATTERY DISCONNECTION
4	33019835	1	HOLDER FUSE 4 WAY
5	33019820	1	RELAY 12V
6	33019821	2	RELAY 12V
7	33017272	2	FUSE 40A
8	909 6218 000	2	FUSE 60A
9	33020261	2	FUSES HOLDER BRACKET



2009-04

LIGHTING

BOOK F

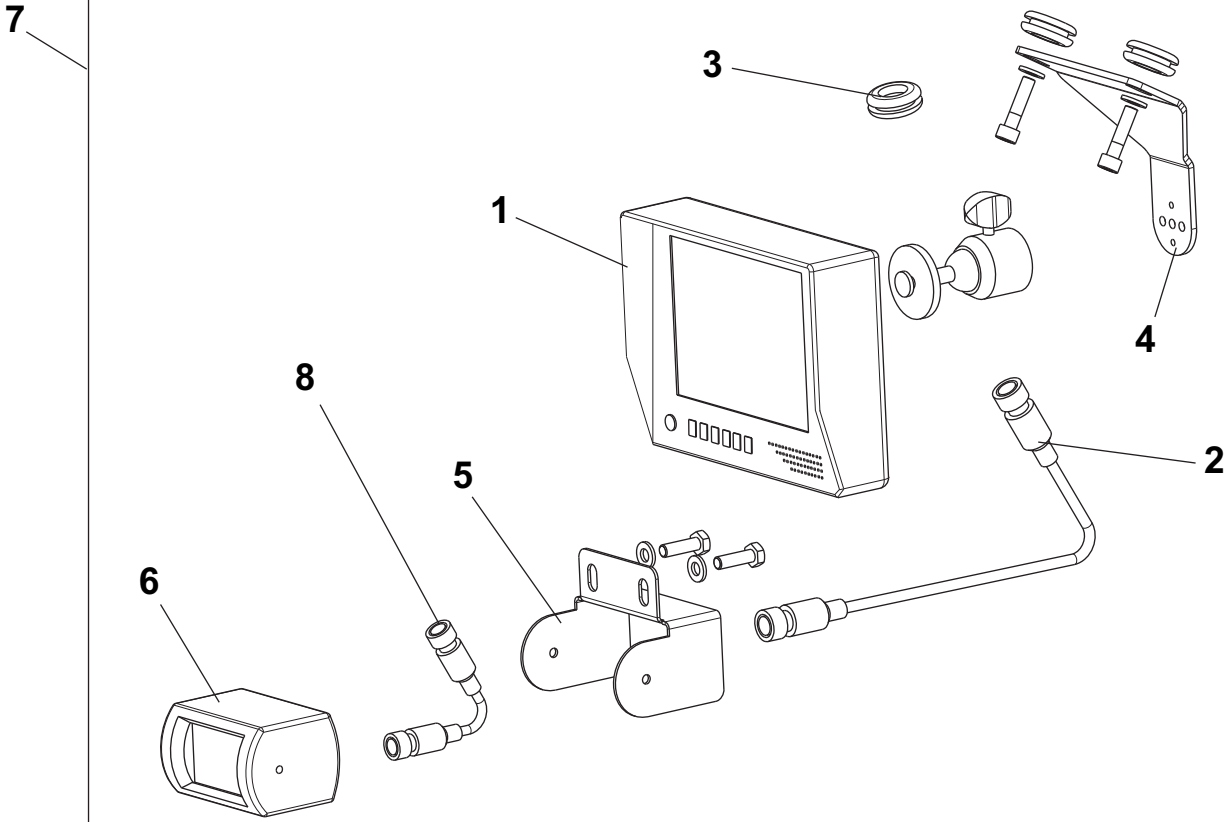
RS 501

F

87

Item	Ref. No.	Qty	Description
1	33009071	2	INDICATOR FRONT
2	33008801	2	HEADLIGHT ASSY.FRONT
3	33014949	2	BACK H-LIGHT
4	33008832	4	REFLEX REFLECTOR
5	33008804	1	LIGHT F/LICENCE PLATE
6	33009202	1	LAMP 12V 5W 11X39
7	33009148	2	LAMP 12V 55/60W
8	145 3808 000	2	LAMP 12V 3W
9	33009149	4	LAMP 12V 21W
10	33009171	2	LAMP 12V 5W
11	33008925	1	MULTIFUNCTION LEVER
12	33008916	1	FLASHING LIGHT

BOOK F		VIDEO CAMERA	2009-04
88	F	RS 501	2012-05

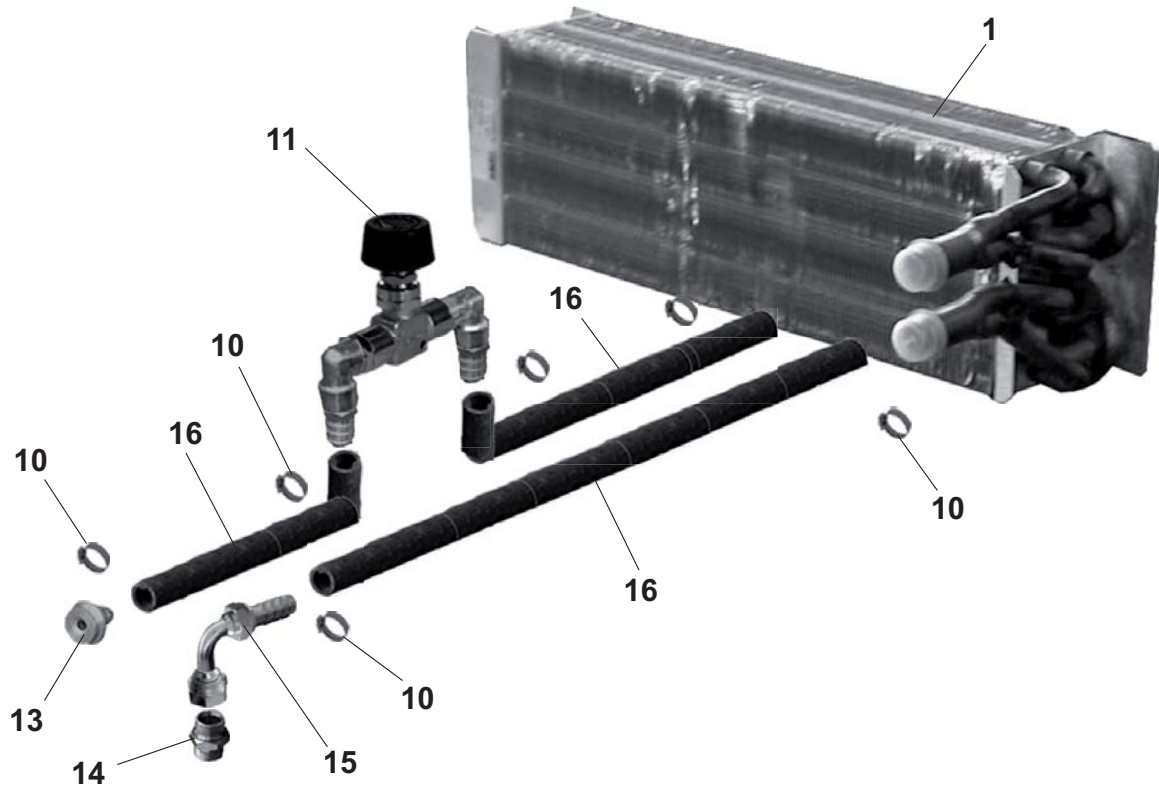
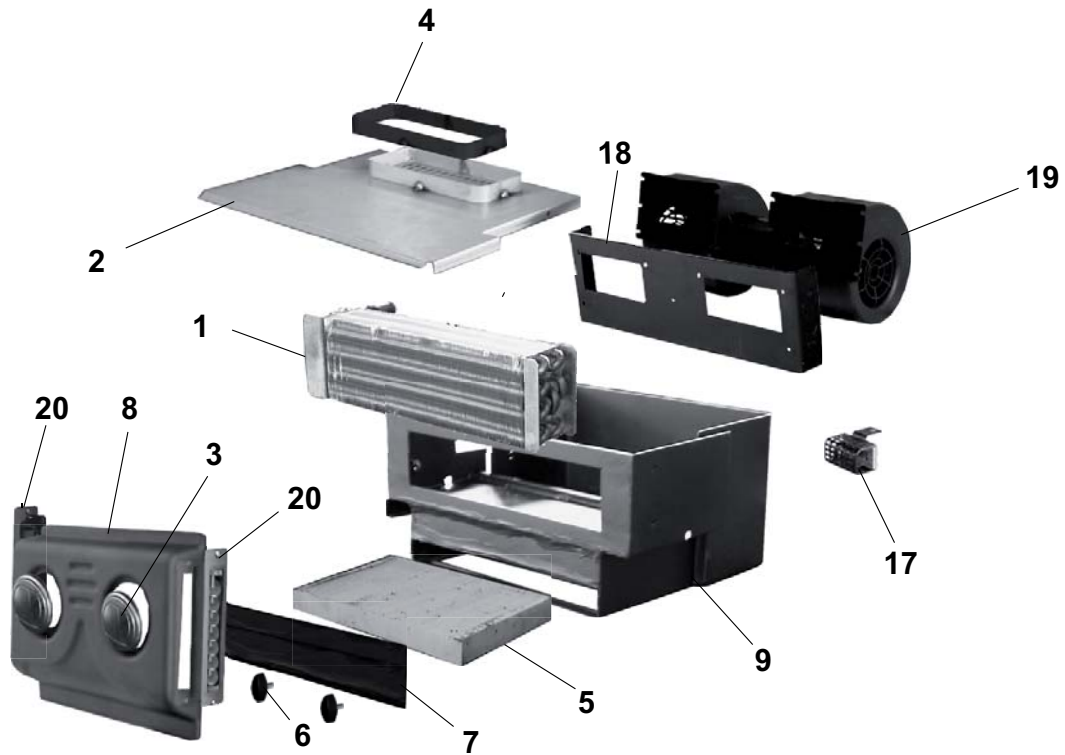


2009-04	VIDEO CAMERA	BOOK F		
2012-05	RS 501	F		89

Item	Ref. No.	Qty	Description
1#	33021659	1	MONITOR
2	33019919	1	CABLE L=5000
3	146 0683 000	3	FAIRLEAD D19
4	33019823	1	SUPPORT MONITOR
5	33019923	1	SUPPORT VIDEOCAMERA
6A#	33021663	1	VIDEO CAMERA REAR KIT
6B#	33021658	1	VIDEO CAMERA REAR
7#	33021672	1	KIT VIDEO CAMERA
8B#	33021660	1	ADAPTER CABLE L=100

A: Before s/n 101303134
B: Starting from s/n 101303135

BOOK F		HEATING		2009-04
90	F	RS 501		



2009-04

HEATING

BOOK F

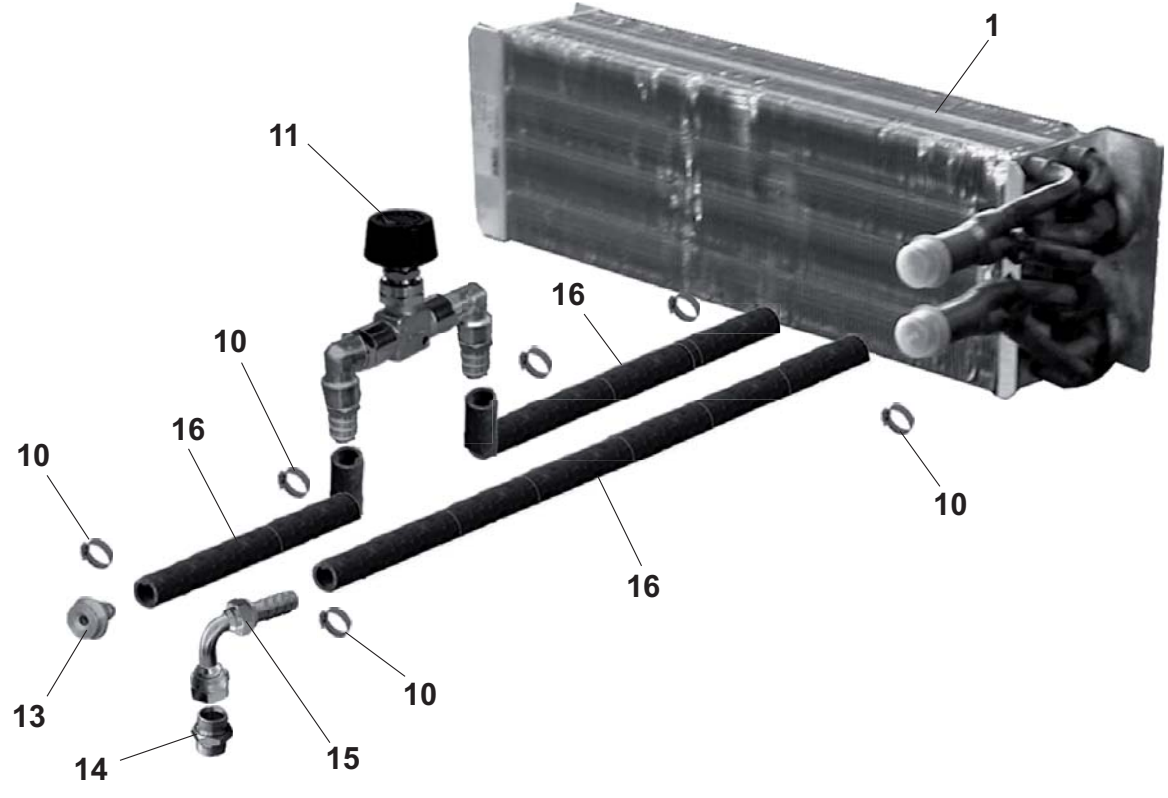
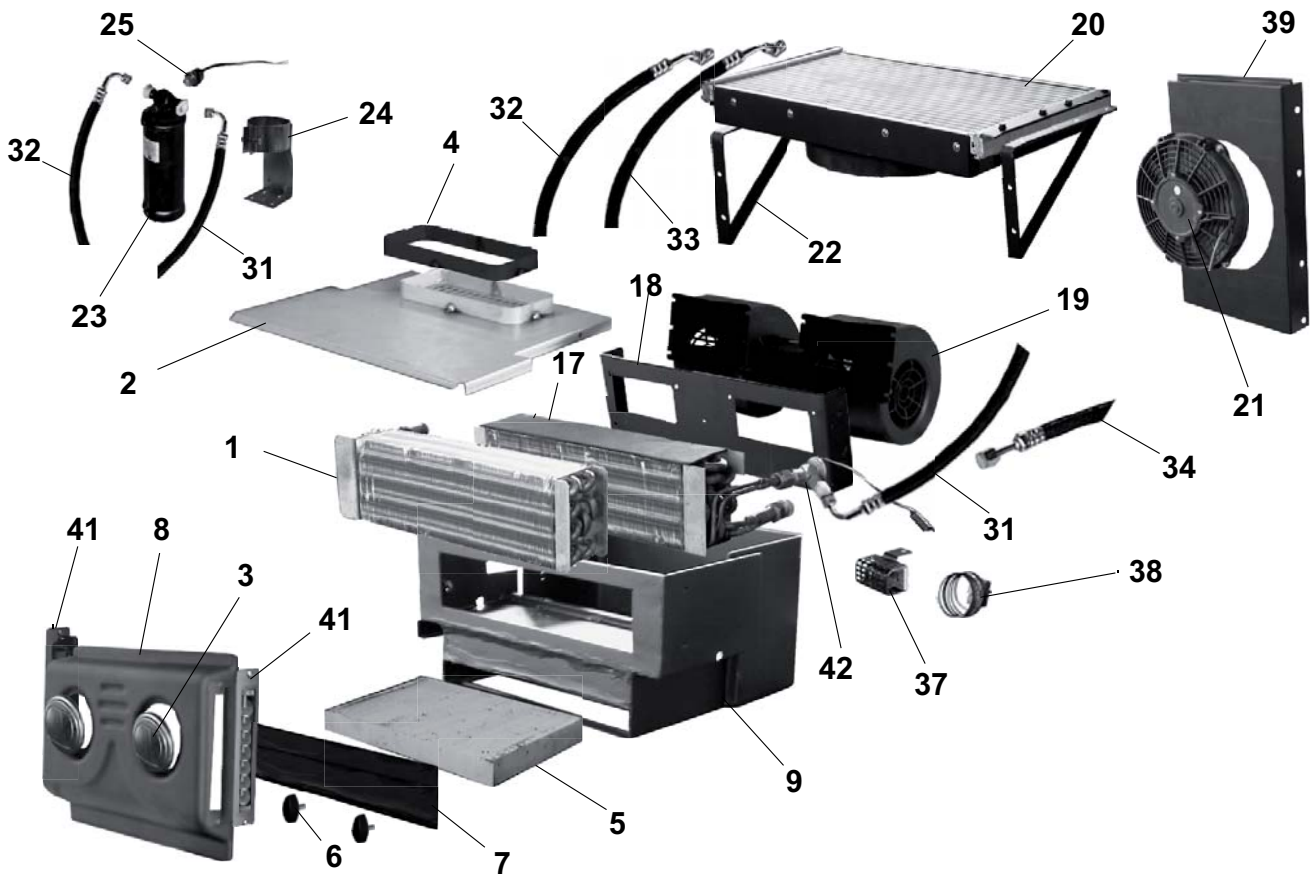
RS 501

F

91

Item	Ref. No.	Qty	Description
1	33010066	1	RADIATOR
2	33010113	1	COVER
3	33010103	2	OPENING
4	33015265	1	SEAL L=1200
5	33010107	1	FILTER
6	33003474	2	KNOB 6X15
7	33002366	1	PLATE
8	33013697	1	SUPPORT
9	33010114	1	BOX
10	33003495	6	CLAMP 16-27
11	33015702	1	HEATING TAP
13	33015492	1	HOSETAIL 16X1,5 D17
14	33015448	1	NIPPLE M16X1,5 - M22X1,5
15	33015447	1	FITTING M22X1,5 D5/8"
16	33015232	1	PIPE D18
17	33008816	1	RESISTANCE 1.6 OHM 8A
18	33010115	1	PLATE
19	33010034	1	ELECTROFAN
20	33013698	2	OPENING

BOOK F		AIR CONDITIONING SYSTEM*		2009-04
92	F	RS 501		2012-05



2009-04

AIR CONDITIONING SYSTEM*

BOOK F

2012-05

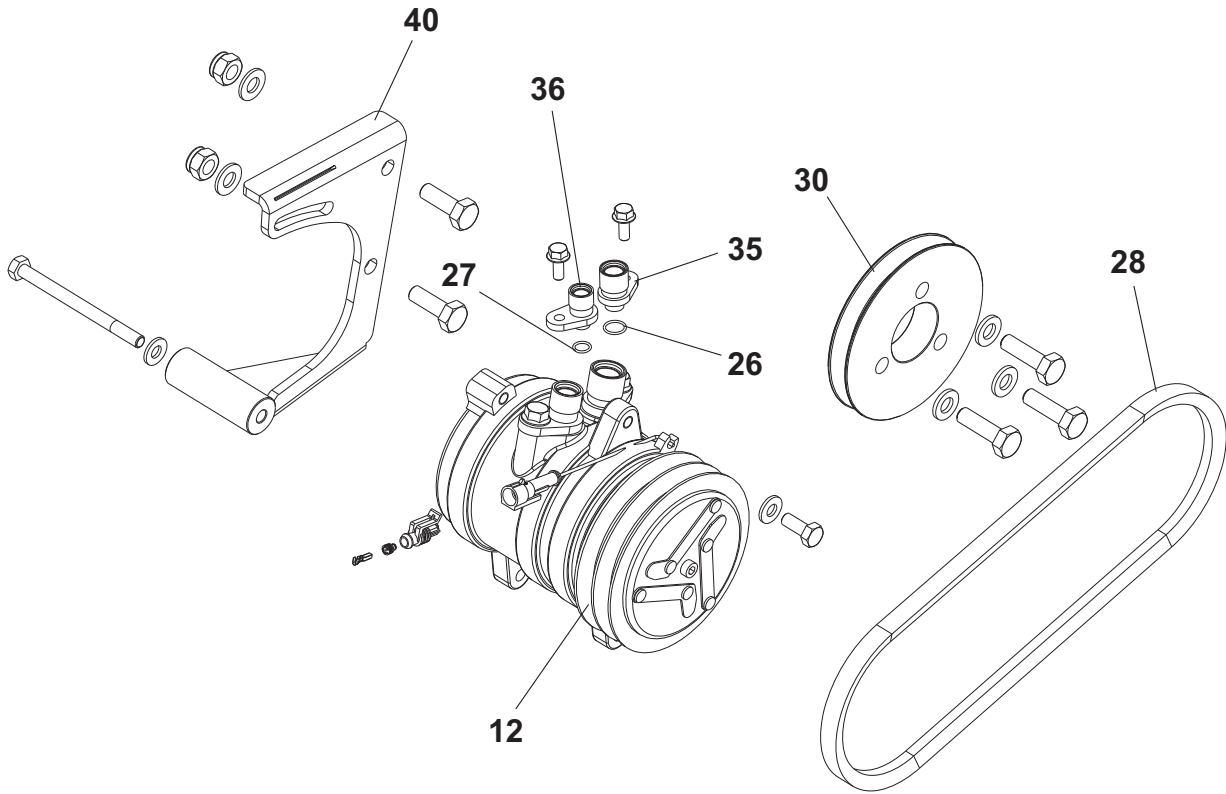
RS 501

F

93

Item	Ref. No.	Qty	Description
1	33010066	1	RADIATOR
2	33010113	1	COVER
3	33010103	2	OPENING
4	33015265	1	SEAL L=1200
5	33010107	1	FILTER
6	33003474	2	KNOB 6X15
7	33002366	1	PLATE
8	33013697	1	SUPPORT
9	33010114	1	BOX
10	33003495	6	CLAMP 16-27
11	33015702	1	HEATING TAP
12	33016913	1	COMPRESSOR SP10
13	33015492	1	HOSETAIL 16X1,5 D17
14	33015448	1	NIPPLE M16X1,5 - M22X1,5
15	33015447	1	FITTING M22X1,5 D5/8"
16	33015232	1	PIPE D18
17	33010112	1	RADIATOR
18	33010115	1	PLATE
19	33010034	1	ELECTROFAN
20	33010082	1	CONDENSER
21	33010117	1	ELECTROFAN
22	33013531	2	SUPPORT
23	33010042	1	FILTER
24	33010047	1	FILTER SUPPORT
25	33008814	1	2-LEVEL PRESSURE GAUGE
26	33014472	1	SEAL,O-RING G10
27	33014471	1	SEAL,O-RING G8
28	33018399	1	BELT AX13 L=850
29	33016922	1	WASHER CURVED AND WAVE SPRING 10X18
30	33018400	1	PULLEY (COMPRESSOR)
31	33015030	1	EVAP-FILTER HOSE
32	33015031	1	FILTER-CONDENS. HOSE
33	33015032	1	COND.-COMPRES.HOSE
34	33015033	1	COMPRESS.-EVAP. HOSE
35	33014363	1	ADAPTER G10
36	33014364	1	ADAPTER G8
37	33008816	1	RESISTANCE 1.6 OHM 8A
38	33008815	1	THERMOSTAT 2C
39	33010121	1	FRAME
40	33018397	1	TIE ROD COMPRESSOR
41	33013698	2	OPENING
42#	33022277	1	EXPANSION VALVE KIT

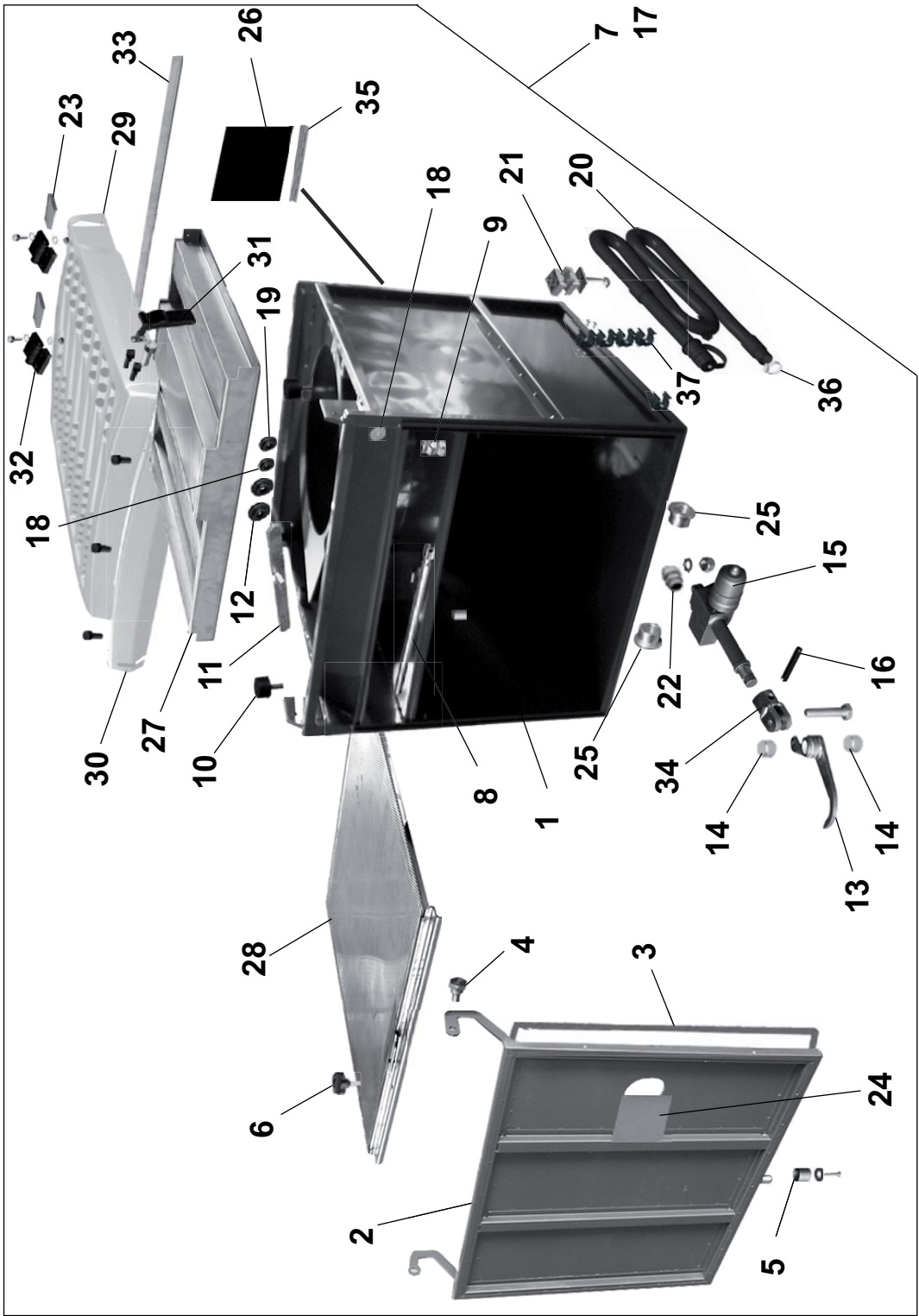
BOOK F		AIR CONDITIONING SYSTEM*	2009-04
94	F	RS 501	2012-05



2009-04	AIR CONDITIONING SYSTEM*	BOOK F		
2012-05	RS 501	F		95

Item	Ref. No.	Qty	Description
1	33010066	1	RADIATOR
2	33010113	1	COVER
3	33010103	2	OPENING
4	33015265	1	SEAL L=1200
5	33010107	1	FILTER
6	33003474	2	KNOB 6X15
7	33002366	1	PLATE
8	33013697	1	SUPPORT
9	33010114	1	BOX
10	33003495	6	CLAMP 16-27
11	33015702	1	HEATING TAP
12	33016913	1	COMPRESSOR SP10
13	33015492	1	HOSETAIL 16X1,5 D17
14	33015448	1	NIPPLE M16X1,5 - M22X1,5
15	33015447	1	FITTING M22X1,5 D5/8"
16	33015232	1	PIPE D18
17	33010112	1	RADIATOR
18	33010115	1	PLATE
19	33010034	1	ELECTROFAN
20	33010082	1	CONDENSER
21	33010117	1	ELECTROFAN
22	33013531	2	SUPPORT
23	33010042	1	FILTER
24	33010047	1	FILTER SUPPORT
25	33008814	1	2-LEVEL PRESSURE GAUGE
26	33014472	1	SEAL,O-RING G10
27	33014471	1	SEAL,O-RING G8
28	33018399	1	BELT AX13 L=850
29	33016922	1	WASHER CURVED AND WAVE SPRING 10X18
30	33018400	1	PULLEY (COMPRESSOR)
31	33015030	1	EVAP-FILTER HOSE
32	33015031	1	FILTER-CONDENS. HOSE
33	33015032	1	COND.-COMPRES.HOSE
34	33015033	1	COMPRESS.-EVAP. HOSE
35	33014363	1	ADAPTER G10
36	33014364	1	ADAPTER G8
37	33008816	1	RESISTANCE 1.6 OHM 8A
38	33008815	1	THERMOSTAT 2C
39	33010121	1	FRAME
40	33018397	1	TIE ROD COMPRESSOR
41	33013698	2	OPENING
42#	33022277	1	EXPANSION VALVE KIT

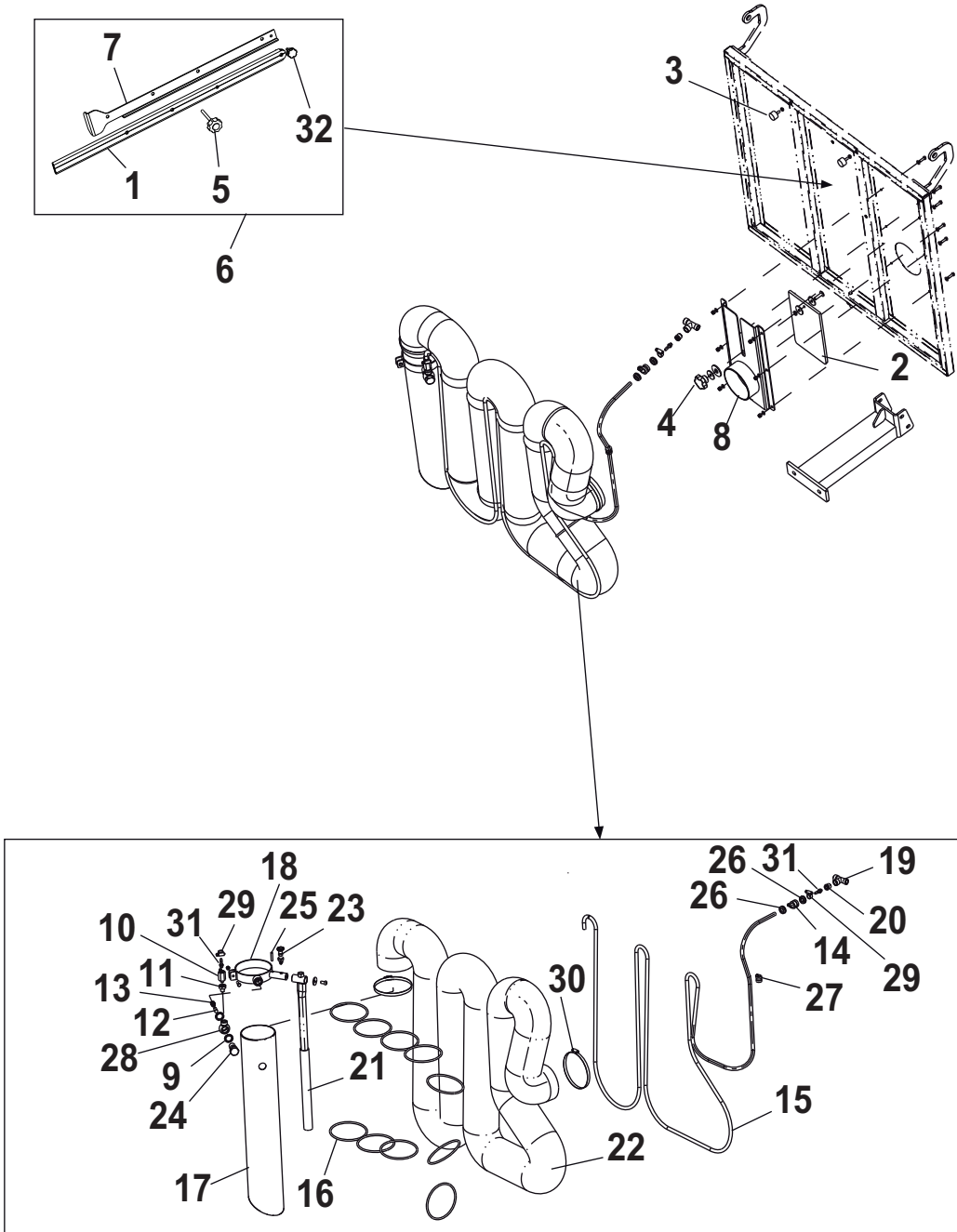
BOOK F		HOPPER		2009-04
96	F	RS 501		2012-05



2009-04	HOPPER	BOOK F		
2012-05	RS 501	F		97

Item	Ref. No.	Qty	Description
1	33015094	1	HOPPER INOX
2	33013786	1	HOPPER DOOR INOX
3	33015255	1	GASKET 15X20 L=6000
4	33001742	2	PIN
5	33001715	1	ROLLER
6	33017923	1	KNOB M8X45
7	33018769	1	KIT HOPPER RS501 STANDARD
8	33013382	1	SAFETY ROD
9	33000738	1	SPRING
10	33003131	2	VIBRATION -DAMPING
11	33013634	1	SAFETY ROD
12	33003523	2	FAIRLEAD
13	33014762	1	HOPPER CLOSING HOOK
14	33003091	2	BUSHING
15	33008565	1	ACTUATOR
16	33003383	1	SPRINGY PIN
17	33018770	1	KIT HOPPER RS501 FULL OPTIONAL
18	146 0683 000	2	FAIRLEAD D19
19	145 3800 000	1	FAIRLEAD D25
20	33019580	1	WATER DRAIN HOSE
21#	33003441	3	DOUBLE COLLAR Ø20
22	33008639	1	CABLE FITTING PG.13,5
23	33013936	2	PLATE
24	33013503	1	COVER
25	33002266	2	BUSHING
26	33002292	1	GASKET
27	33002251	1	INNER FILTER
28	33002250	1	FILTER BOX
29	33015462	1	BONNET UPPER
30	33015463	1	PANEL UPPER
31	146 1263 000	2	LEVER HOOK
32	33009531	2	HINGE
33	33013501	1	PLATE
34	33013283	1	CONNECTION
35	33002285	1	HINGE
36	33003548	1	CLAMP 30-45
37	56392171	6	CLAMP

BOOK F		SUCTION PIPE	2009-04
98	F	RS 501	2012-05



2009-04

SUCTION PIPE

BOOK F

2012-05

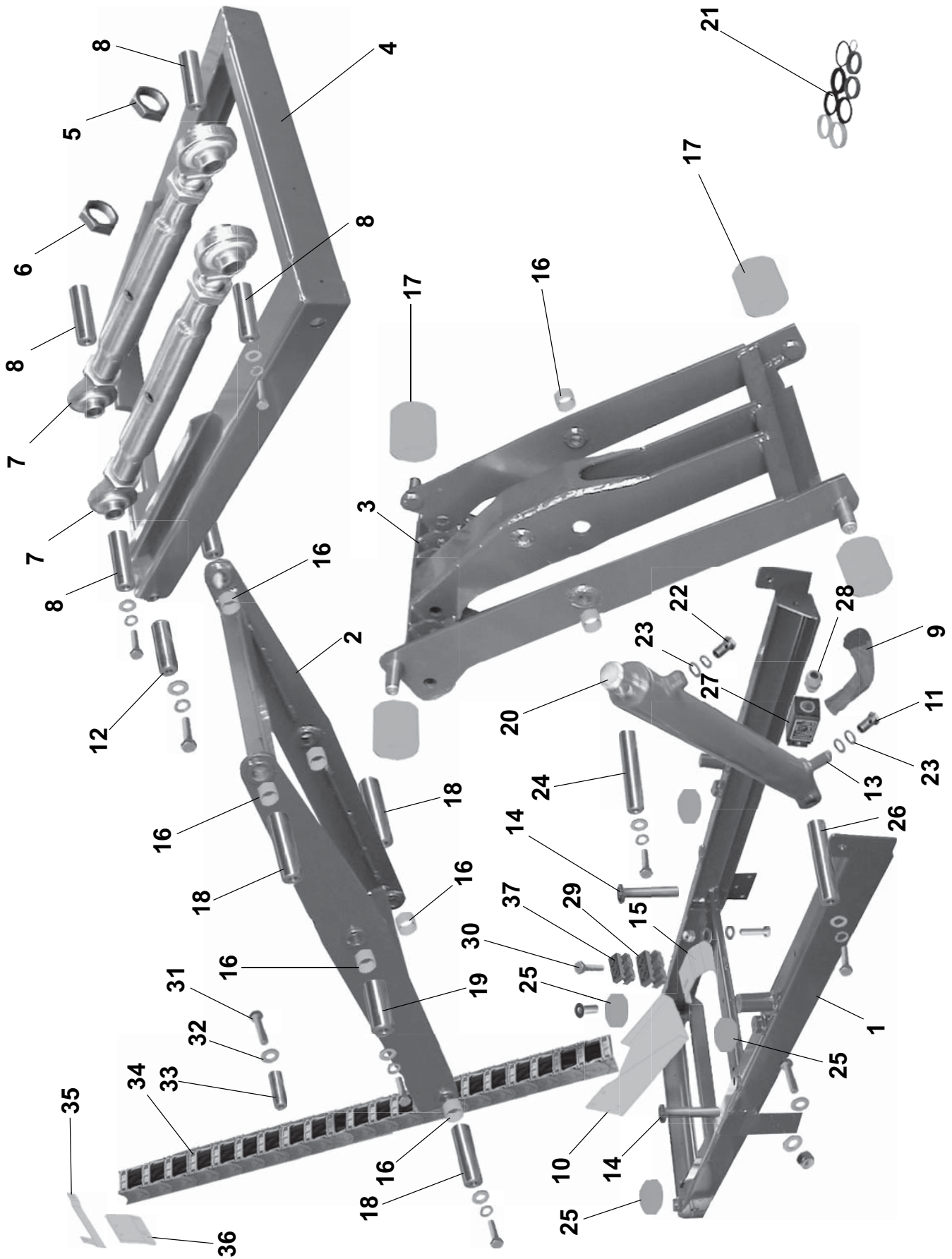
RS 501

F

99

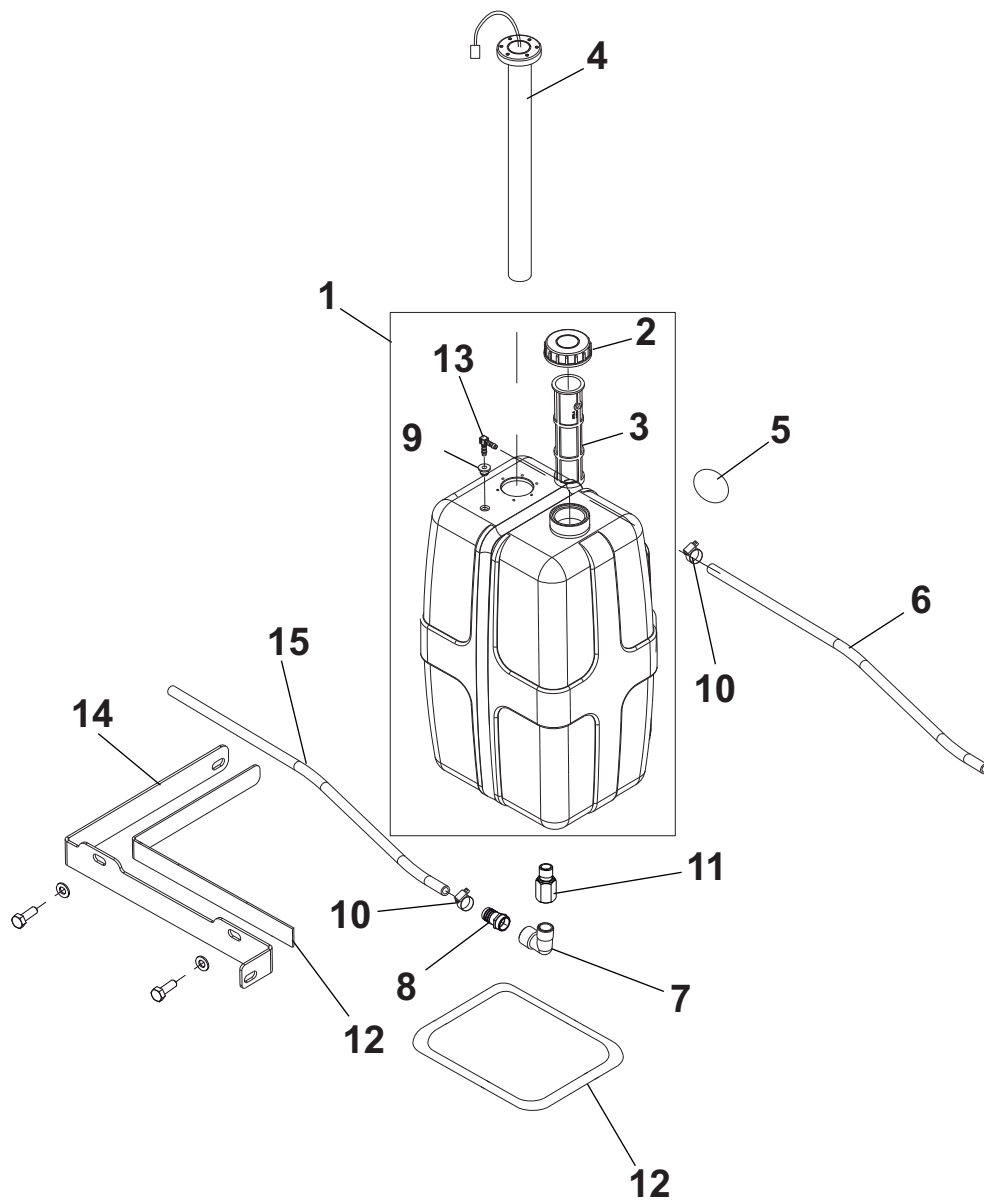
Item	Ref. No.	Qty	Description
1	33018596	1	HANDLE
2	33002290	1	GASKET
3	33003131	2	VIBRATION -DAMPING
4	33003461	1	KNOB
5	146 1546 000	1	KNOB M6X55
6#	33021266	1	KIT UNCLOGGING DEVICE
7	33018597	1	SHOVEL
8	33013502	1	SUPPORT
9	33011717	2	STEEL/RUBBER WASHER 1/2"
10	33011676	1	BALL VALVE 1/8"
11	33011672	1	REDUCTION GEAR 1/4"-1/8"
12	33011860	1	MESH FILTER COPPER 100
13	33011861	1	NOZZLE MC2.0 F/SUCTION
14	33012455	1	COLLAR D.18
15	33015229	1	PIPI 6X11
16	33015476	10	GASKET OR 201
17	33015480	1	HOSE SUCTION D120
18	33015481	1	COLLAR
19	33015587	1	T-FITTING 3/8"
20	33015589	1	REDUCER FITTING 3/8"-1/8"
21	33018582	1	HANDLE
22	33020551	1	HOSE Ø120 L=3600
23	33018585	1	PLUNGER INDEXING
24	33002306	1	THROUGH SCREW
25	145 8550 000	1	SPRINGY PIN 6X20
26	146 0683 000	2	FAIRLEAD D19
27	909 5896 000	1	HOSE CLAMP
28	33002307	1	EYE
29	33003450	2	CLAMP
30	33003507	2	CLAMP 110-130
31	33011513	2	HOSETAIL 1/8" D6
32#	145 2244 000	1	KNOB M6X15

BOOK F		AUTOLIFT		2009-04
100	F	RS 501		2012-05



2009-04	AUTOLIFT	BOOK F		
2012-05	RS 501	F		101

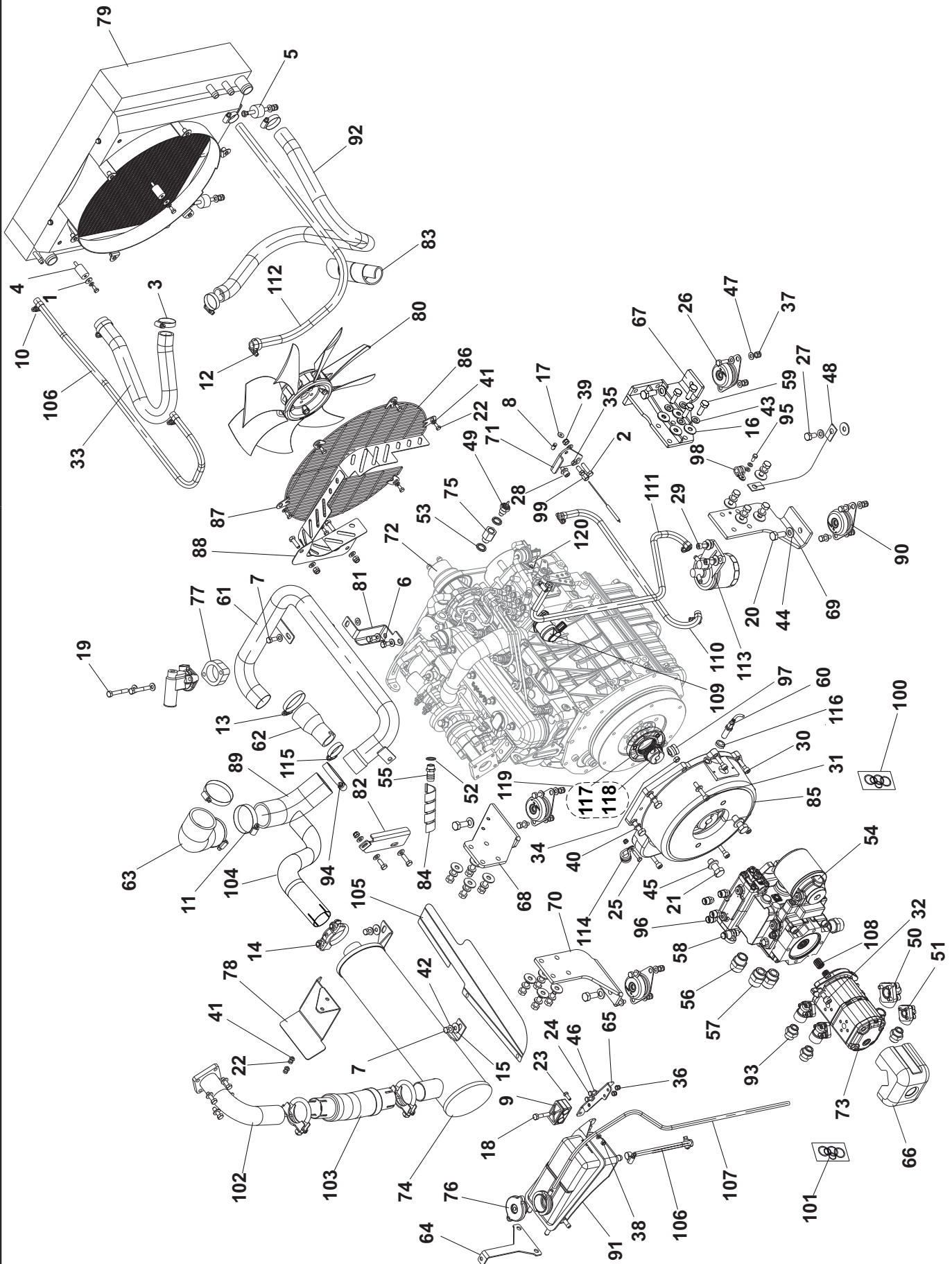
Item	Ref. No.	Qty	Description
1	33018394	1	BASE
2	33012903	1	LEGS
3	33012904	1	LEGS
4	33012905	1	BASE
5	33008089	2	NUT LEFT 27X3
6	33005543	2	NUT RIGHT 27X3
7	33014172	2	TIE-ROD
8	33002265	4	PIN
9	33015550	1	SHEATH D.60 LG.600
10	33020418	1	SHOOT F/ HYDRAULIC HOSES
11	33011259	1	THROUGH SCREW 1/4" D1
12	33002267	2	PIN
13	33010507	1	VALVE 1/4"
14	33014728	2	PIN SAFETY
15	33019374	1	CASE HOSES
16	33003091	8	BUSHING
17	33002260	4	WHEEL
18	33002262	4	PIN
19	33002261	2	PIN
20	33018418	1	LIFTING HYDRAULIC CYLINDER
21	33011847	1	GASKET KIT
22	33011254	1	THROUGH SCREW 1/4"
23	33011718	4	STEEL/RUBBER WASHER 1/4"
24	33002263	1	PIN
25	33002268	4	BUFFER PAD
26	33002264	1	PIN
27	33019775	1	MICROSWITCH
28#	146 1892 000	1	STRAIN RELIEF M16
29#	33021071	1	DOUBLE COLLAR Ø20
30#	33004004	1	HEX HD SREW 8X70
31	33005444	1	HEX HD SREW 8X20
32	33005891	1	SPRING WASHER Ø8
33	33020401	1	CHAIN SUPPORT
34	33020403	1	HOSEHOLDER CHAIN
35	33020407	1	PLATE
36	33020402	1	CHAIN FIXING PLATE
37#	33003442	1	DOUBLE COLLAR Ø14
0	33020420	1	HOSEHOLDER CHAIN KIT



2009-04**TANK****BOOK F****RS 501****F****103**

Item	Ref. No.	Qty	Description
1	33009579	1	TANK
2	33011564	1	PLUG
3	33010181	1	FILTER WATER
4	33019698	1	FLOAT
5	33015885	1	DECAL CHECK OIL LEVELS
6	33018506	1	PIPE TX300 5X10
7	33011224	1	FITTING 1/4"
8	33011517	1	HOSETAIL 1/4" D6
9	909 6089 000	1	CABLE GUIDE
10	33003450	4	CLAMP 8-12
11	33011489	1	STUD BOLT F1/4" M12X1.5 H30
12	33015257	1	GASKET 15X3 L=4000
13	L08603189	1	PIPE HOLDER 90°
14	33014202	1	BRACKET
15	33018508	1	PIPE TX300 8X15

BOOK F		ENGINE V1505 T	2009-04
104	F	RS 501	2012-05

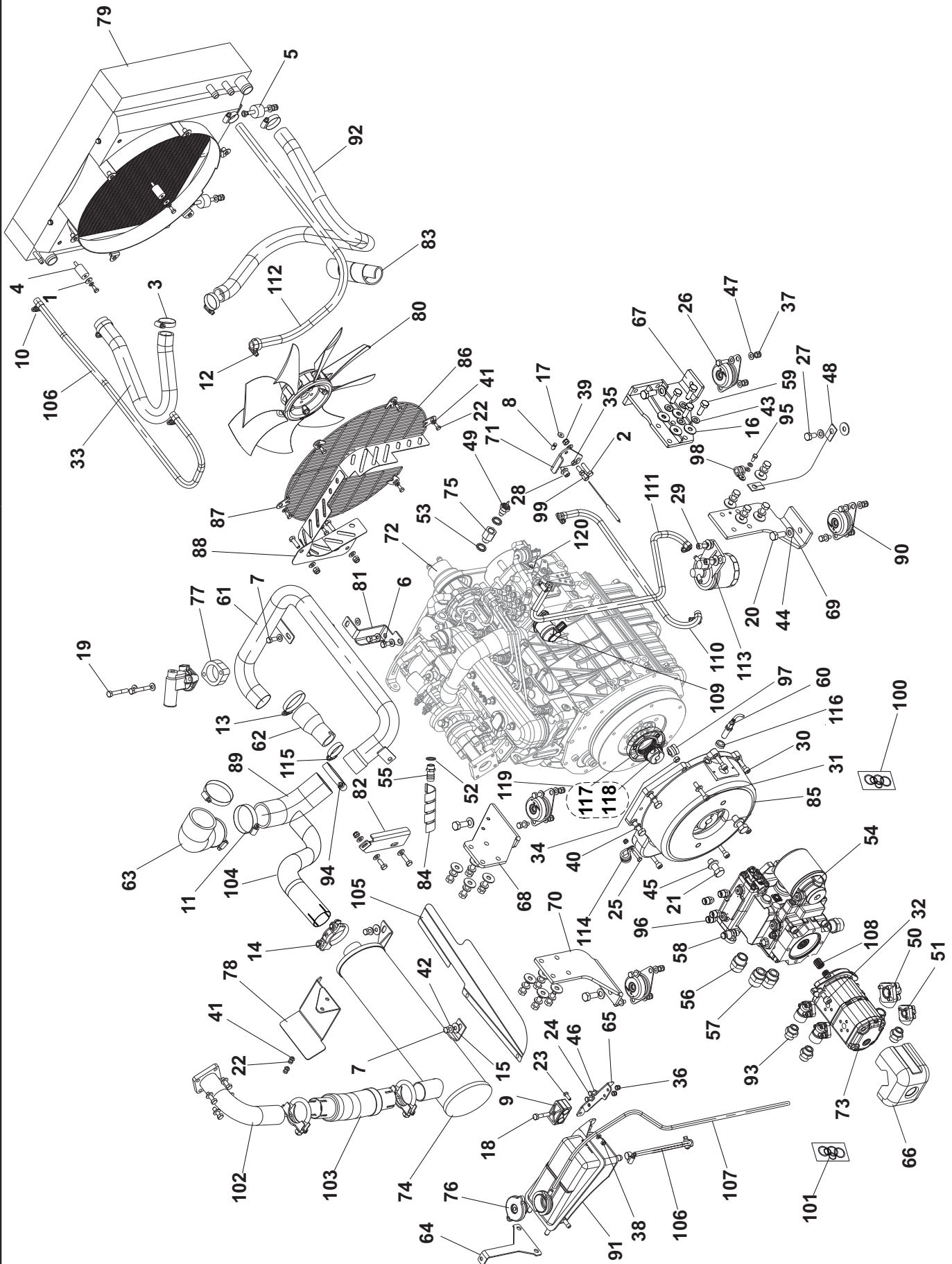


2009-04	ENGINE V1505 T	BOOK F		
2012-05	RS 501	F		105

Item	Ref. No.	Qty	Description
1	L08228600	1	WASHER 6X18 UNI6592
2	33003996	1	SCREW HEX HD 8X30
3#	33003497	4	CLAMP 25-35
4	33003138	2	VIBRATION -DAMPING
5	33003302	2	VIBRATION -DAMPING
6	33003993	2	SCREW HEX HD 8X16
7	33005444	2	SCREW 8X20
8	33003416	1	CLAMP D2.5
9#	33003441	1	DOUBLE COLLAR Ø20
10	33003493	8	CLAMP 8-16
11	33003501	2	CLAMP 50-70
12	33003510	2	CLAMP 18-28
13	33003535	1	CLAMP 40-60
14	33003543	3	COLLAR
15	33003740	4	WASHER 8X24
16	33003744	17	WASHER 10X30
17#	145 1261 000	1	WASHER 5X15
18	33003790	1	SCREW HEX HD 8X40
19	33003794	2	SCREW HEX HD 8X60
20	33003827	4	SCREW HEX HD 12X30
21		2	SCREW HEX HD 14X35
22	33003972	10	SCREW HEX HD 6X12
23	33003974	1	SCREW HEX HD 6X16
24	33003975	2	SCREW HEX HD 6X20
25	33003976	1	SCREW HEX HD 6X25
26	33005445	15	SCREW HEX HD 8X25
27	33004008	1	SCREW HEX HD 10X20
28	33004364	1	SCREW TCEI 8X16
29	33004365	2	SCREW TCEI 8X20
30	33004367	6	SCREW TCEI 8X30
31	33004370	1	SCREW TCEI 8X45
32	33004388	2	SCREW TCEI 10X30
33	33018378	1	HOSE Ø28X36 L=450
34	33005504	3	NUT M8
35	33005533	3	NUT M8
36	33005562	2	SELF-LOCKING NUT M6
37	33005565	12	SELF-LOCKING NUT M8
38	33005604	2	SELF-LOCKING NUT M6
39	33005607	4	SELF-LOCKING NUT M8
40	33005843	2	SPRING WASHER GROWER 10
41	33005889	11	FIAT WASHER 6
42	33005891	17	FIAT WASHER 8
43	33005896	19	WASHER 10
44	33005897	4	FIAT WASHER 12
45	33005898	2	FIAT WASHER 14
46	33005913	2	PLAIN WASHER 6
47	33005915	25	PLAIN WASHER 8
48	33008452	1	MOTOR GROUND CONNECTION
49	33009113	1	THERMISTOR 16X1.5
50	33011380	1	FITTING FF 3/4"
51	33011388	3	FITTING FF 1/2"
52	33011696	1	WASHER 3/8"
53	33011722	2	STEEL/RUBBER WASHER 3/8"
54	33013035	1	PUMP HP 21
55	33020469	1	HOSETAIL 3/8" Ø16
56#	33017182	3	NIPPLE 3/4" - D22
57	33015347	2	NIPPLE 3/4" - D20
58	33015518	1	FITTING QUICK 1/4" 60°
59	33015768	18	SCREW HEX HD M10X1,25X30
60	33021044	1	SENSOR TURNS
61	33018380	1	SUCTION PIPE
62	33018381	1	REDUCTION COUPLING 45-32
63	33018384	1	AIR INTAKE HOSE - FILTER
64	33018385	1	SUPPORT UPPER
65	33018386	1	SUPPORT LOWER
66	33018389	1	HAUBE
67#	33021151	1	SUPPORT LEFT REAR

A: Starting from s/n 103806749

BOOK F		ENGINE V1505 T	2009-04
106	F	RS 501	2012-05



2009-04	ENGINE V1505 T	BOOK F		
2012-05	RS 501	F		107

Item	Ref. No.	Qty	Description
68	33018396	1	SUPPORT RIGHT REAR
69	33018401	1	SUPPORT LEFT FRONT
70	33018402	1	SUPPORT RIGHT FRONT
71	33018404	1	SUPPORT CABLE
72	33018412	1	ENGINE KUBOTA V1505T
73	33018441	1	GEAR PUMP 14+9,6 CC
74	33018392	1	MUFFLER
75	33018449	1	RIDUCER FITTING M3/82" F16X1,5
76	33018453	1	PLUG
77	33018594	1	SHIM
78	33018673	1	CASE
79	33018698	1	WATER RADIATOR
80	33018703	1	FAN
81	33018760	1	SUPPORT
82	33018761	1	SUPPORT
83	33018795	1	SPIRAL Ø50
84	33018797	1	SPIRAL Ø25
85	33018905	1	KIT ENGINE BELL
86	33018907	1	PROTECTION
87	33018908	1	PROTECTION GRATING
88	33019160	1	CASE
90	33019269	4	VIBRATION -DAMPING
91	33019461	1	EXPANSION TANK
92	33018379	1	HOSE Ø28X36 L=1000
93	146 0079 00	3	NIPPLE 1/2" - D15
94	146 0771 000	2	CLAMP
95	146 2126 000	1	SCREW HEX HD 6X14
96	146 2977 000	4	NIPPLE 1/4" - D10
97	33018721	1	CLAMP Ø40
98	909 5896 000	2	HOSE CLAMP
99	145 9283 000	1	SCREW
100	33011764	1	GASKET KIT HP
101	33019747	1	GASKET KIT HP
102	33018391	1	PIPE EXHAUST
103	33018413	1	HOSE FLEXIBLE
104#	33022385	1	MUFFLER TERMINAL
105	33018714	1	PROTECTION
106	33018388	1	HOSE Ø8X15 L=1000
107	33018390	1	HOSE CRYSTAL Ø6X9 L=1000
108	33010472	1	KEYED JOINT M/F Z13/Z9 COGS
109	33020380	1	STOP SOLENOID VALVE
110	33019170	1	HOSE Ø8X15 L=700
111	33018508	1	HOSE Ø8X15 L=1000
112	33018387	1	HOSE Ø13X19 L=1000
113	33019749	1	COMPLETE DIESEL FILTER
114	909 5516 000	2	CLAMP Ø18
115#	33003548	1	CLAMP 30-45
116A#	33021319	1	SPACER 12,5X18 H=5
117		1	FLANGE
118		1	HUB
119#	33021980	1	COUPLING KIT
120#	33022119	1	SENSOR PLUG KIT
0	33018850	1	OIL FILTER ENGINE
0	33019149	1	STARTER
0	33020381	1	DIESEL FILTER
0	33019750	3	DIESEL INJECTOR KUBOTA D1505T
0	33019751	1	OIL PRESSUR SWITCH
0	33019752	1	THERMOSTAT VALVE
0	33019753	1	INJECTION PUMP
0	33019754	1	DIESEL PUMP
0	33019755	4	GLOW PLUG FOR KUBOTA D1505T
0	33019756	1	KIT ENGINE SEALS KUBOTA D1505T
0	33019904	1	ALTERNATOR 75A
0	33019903	1	ALTERNATOR BELT
0	33021216	1	VALVES COVER GASKET

A: Starting from s/n 103806749

33019744(2)2012-05



Nilfisk-Advance, Inc.
14600 21st Avenue North
Plymouth, MN, 55447-3400
www.nilfisk-advance.com
Phone: 800-989-2235
Fax: 800-989-6566
©2008 Nilfisk-Advance, Inc.,
Plymouth, MN 55447-3400
Printed in Italy