



## Electronic Service Manuals

This electronic document is provided as a service to our customers. We do not create the contents of the information contained in this document. Should you have detailed questions pertaining to the information contained in this document, you may contact Michco, or the manufacturer which provided the original information in this electronic deliverable. Michco's only part in this electronic deliverable was the electronic assembly process. By providing this manual on line we are not guaranteeing parts availability.

You may contact Michco through the following methods:

Phone (517) 484-9312 or (800) 331-3339

2011 N. High St. -- Lansing, Michigan -- 48906

Fax: (517) 484-9836

Email: [CustServe@Michco.com](mailto:CustServe@Michco.com)

Web site: [www.Michco.Com](http://www.Michco.Com)

Parts Web site: [www.FloorMachineParts.Com](http://www.FloorMachineParts.Com)

Order Parts on Line at:

**[www.FloorMachineParts.Com](http://www.FloorMachineParts.Com)**

Directly to Parts & Service:

By Email: **[Shop@Michco.com](mailto:Shop@Michco.com)**

By Fax: (517) 702-2041

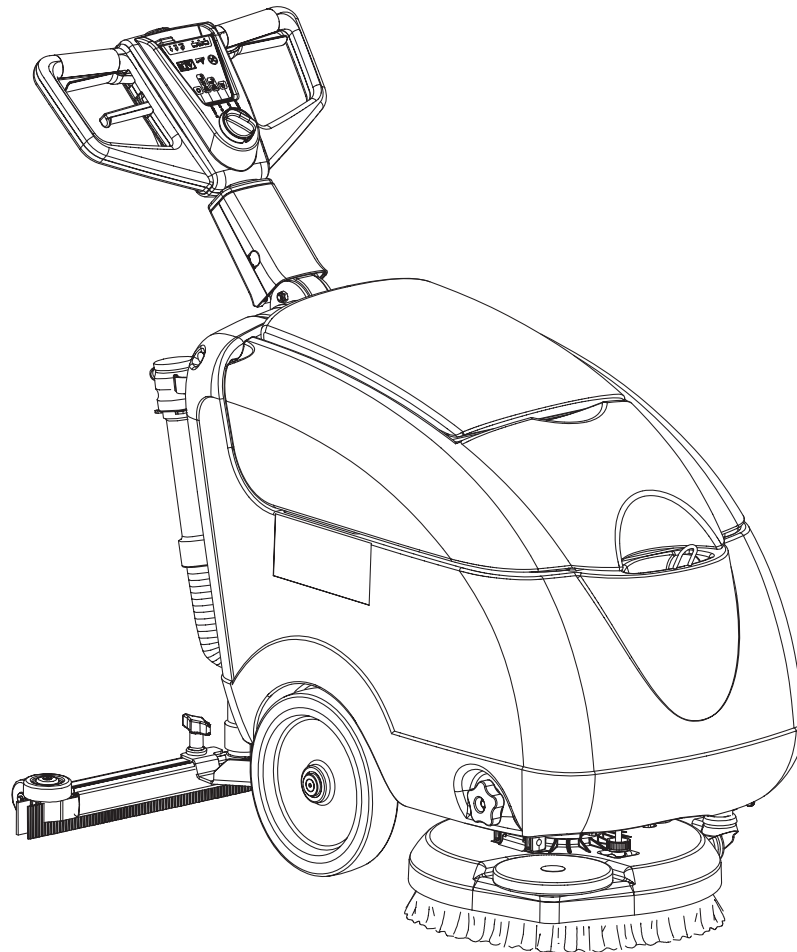
By Voice: Use numbers above.

**Serving the Cleaning Industry Since 1922**

Notice: All copyrighted material remains property of original owners, all trademarks are property of respective owners. Manuals are subject to Manufacturer's reproduction limitations. Originals or reproductions were provided by manufacturers through a request. We make no warranty as to the correctness of information provided in this document and you assume all risk. By placing these manuals on line we are not declaring our corporation to be an manufacturer authorized dealer or provider, please check our web site for authorized manufacturers we represent.

# SC400

---



---

## PARTS LIST

Advance model: 9087310020



## TABLE OF CONTENTS

ENG	PAGE
GENERAL SYSTEM	2 - 3
SOLUTION SYSTEM	4 - 5
FILTER AND WHEELS SYSTEM	6 - 7
RECOVERY SYSTEM	8 - 9
HANDLE SYSTEM	10 - 11
SQUEEGEE AND LIFT SYSTEM	12 - 13
BRUSH SYSTEM	14 - 15
WIRING SYSTEM	16 - 17
ACCESSORIES	18 - 19
WIRING DIAGRAM	20 - 21
RECOMMENDED SPARE PARTS	22

### WHEN ORDERING PARTS

- \* Use the part numbers from the "Ref. No." columns in this parts list.
- \* Specify the model and serial number of the machine.
- \* Use the space below to record the model and serial number for future reference.

Model

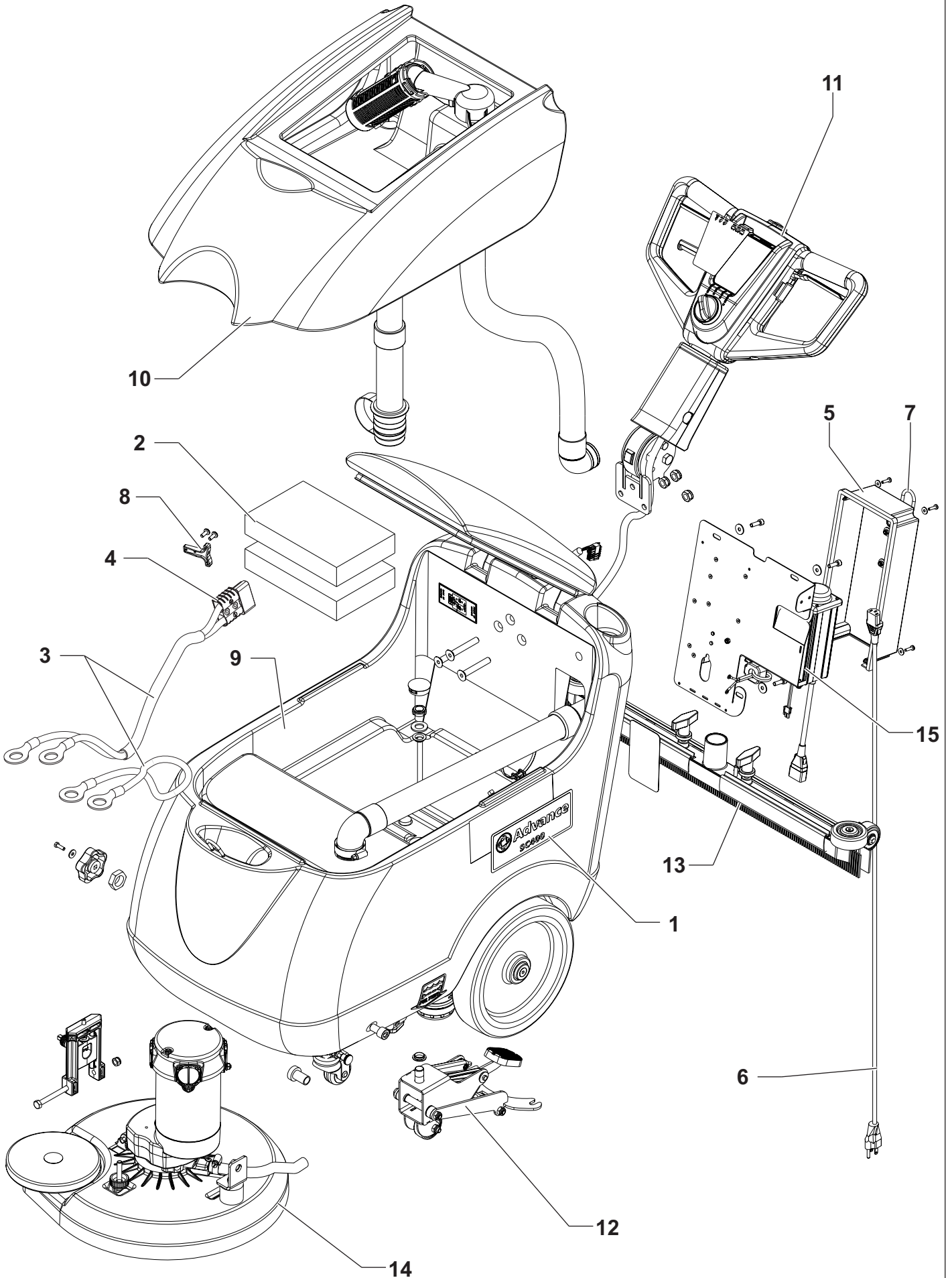
Serial No.

\* = Optional

# = Modified item No. or New item No.

[ ] = Not shown

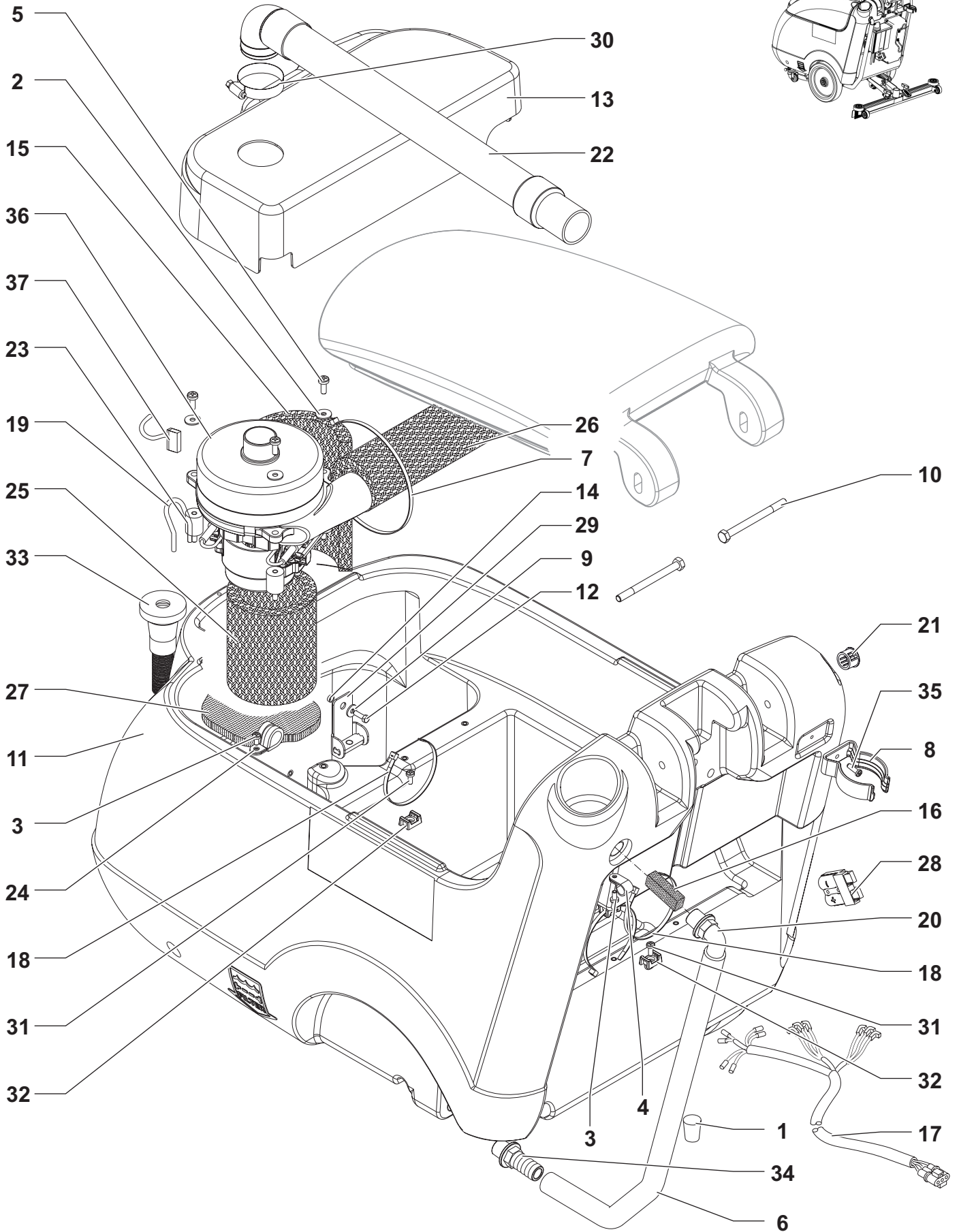
GENERAL SYSTEM



**GENERAL SYSTEM**

ITEM	REF. NO.	QTY	DESCRIPTION
1	9099775000	1	DECALS SC400 ADVANCE KIT
2	L08812670	2	BATTERY RESTRAINT
3	909 5955 000	1	BATTERY HARNESS
4	9098761000	1	BATTERY CONNECTOR (C1)
5	9099762000	1	COVER ELECTRIC BOX KIT
6	9096914000	1	EXTENTION US PLUG
7	909 5149 000	1	CABLE SUPPORT
8	1464116000	1	HANDLE RED PLASTIC FOR CONNECTOR
9	-	1	SOLUTION SYSTEM
10	-	1	DIRTY WATER TANK SYSTEM
11	-	1	HANDLE SYSTEM
12	-	1	SQUEEGEE LIFT SYSTEM
13	-	1	SQUEEGEE ASSY
14	-	1	BA BRUSH DECK SYSTEM
15	-	1	ELECTRONIC + BATTERY CHARGER SYSTEM

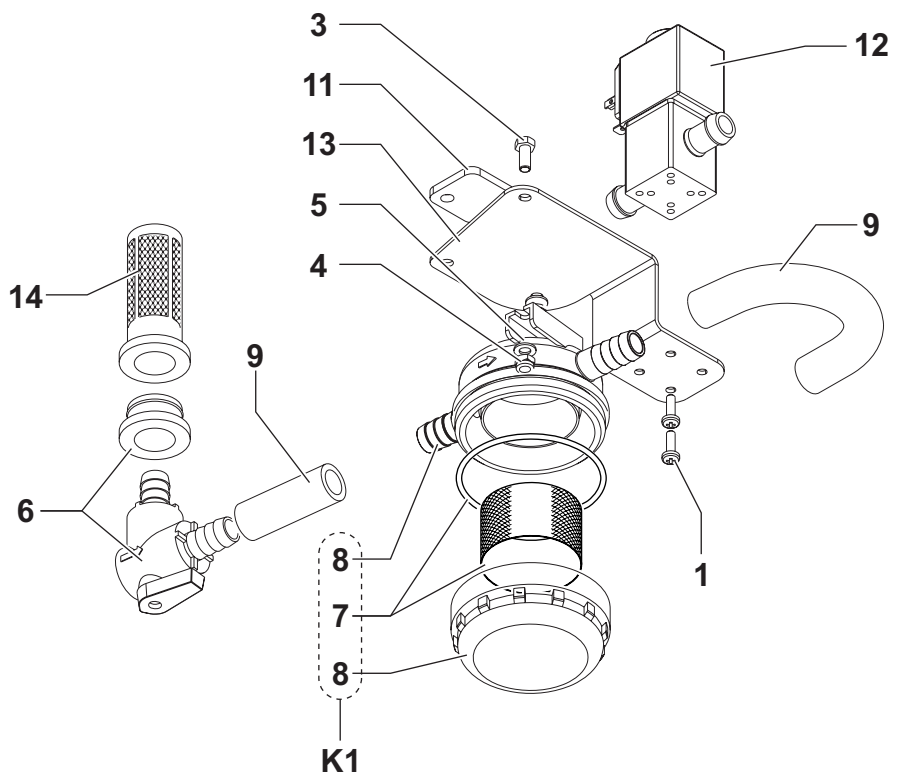
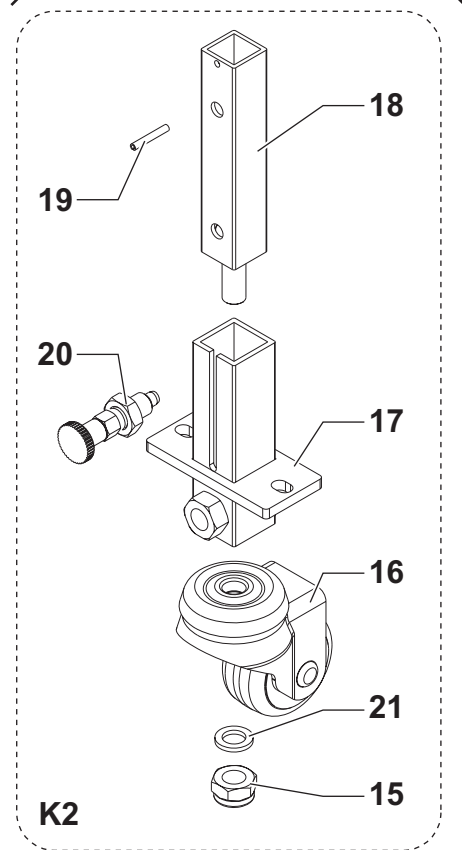
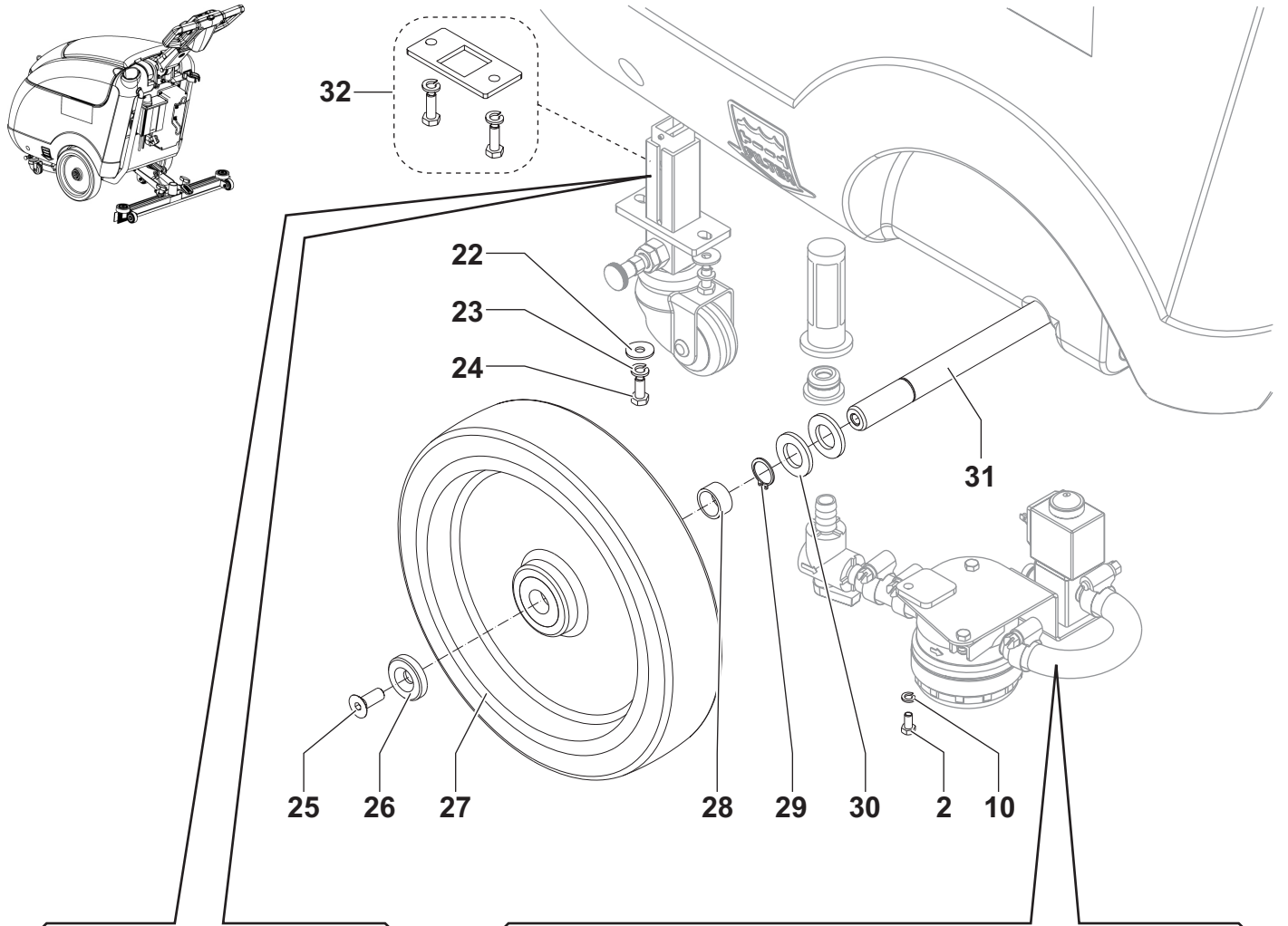
SOLUTION SYSTEM



## SOLUTION SYSTEM

	ITEM	REF. NO.	QTY	DESCRIPTION
K1	1		1	EPDM CAP FOR BATTERY BOX
K1	2		3	WASHER, FLAT XL
K1	3		2	SCREW, PAN PHIL M5X10 LOCTITE
K1	4		1	CLAMP, CABLE Ø12.7
K1	5		3	SCREW, PAN PHIL M6X12
	6	9098446000	1	SOLUTION HOSE 600 MM
K1	7		1	TIE, CABLE 4,8X430
	8	909 6380 000	1	CLAMP KIT
K1	9		1	WASHER, FLAT XL 5,5X15
K1	10		2	SCREW, HEX HD M8X95
	11	9098448000	1	FRESH WATER TANK
K1	12		1	SCREW, HEX THD TO HD M5X16
	13	9098466000	1	MOTOR COVER
K1	14		1	SPACER 5.5X8X3
	15	9098801000	1	SOUND ABSORBENT FILTER
	16	9098802000	1	FILTER LEVEL WATER HOSE
	17	9099103000	1	HARNESS BA MACHINE
K1	18		3	TIE, CABLE 4,8X200
	19	9099178000	1	BRUSH SUPPORT
	20	9098443000	1	ELBOW Ø20
K1	21		1	PLUG, BLACK PLASTIC
	22	909 5579 000	1	VACUUM SUCTION HOSE
K1	23		3	AVIBRATION DAMPING EI TYPE
K1	24		1	CLAMP, HOSE D.18
	25	909 5564 000	1	ACOUSTIC INSULATION PIPE
	26	909 5565 000	1	ACOUSTIC INSULATION PIPE
	27	9099184000	1	FILTER
	28	9098761000	1	CONNECTOR 50A RED
	29	9099195000	1	FRONT ADJUSTABLE SUPPORT
K1	30		1	CLAMP
K1	31		3	SCREW, PAN PHIL M5X12
K1	32		3	FLAT TIE HOLDER
	<b>33*</b>	<b>9097290000</b>	<b>1</b>	<b>HOSE FILLING</b>
	34	9097383000	1	ELBOW Ø20
K1	35		1	THREAD ROLLING SCR 5X16
	36	909 5713 000	1	MOTOR VACUUM KIT (M2)
	37	909 5371 000	2	CARBON BRUSH
	[K1]	9099763000	1	HARDWARE SOLUTION TANK KIT

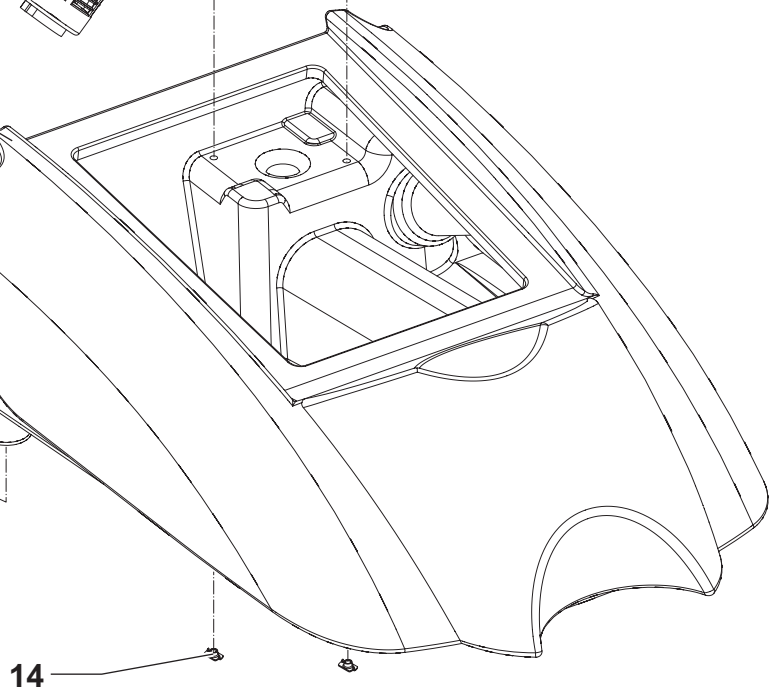
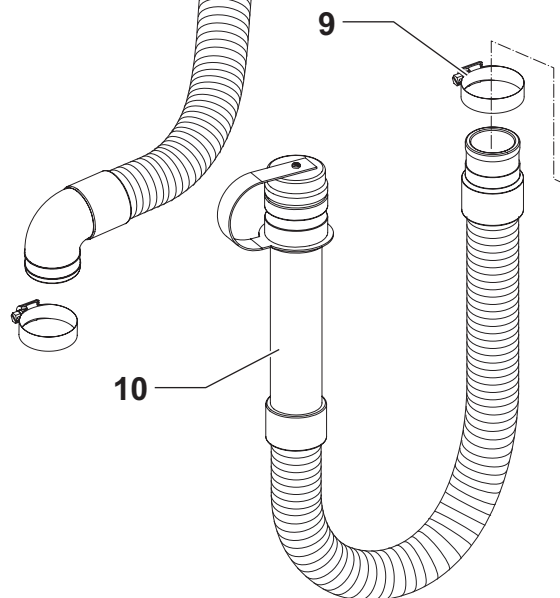
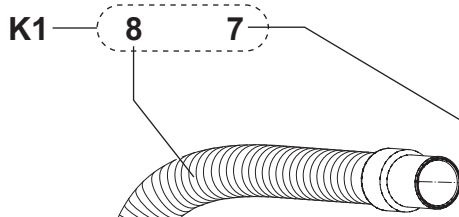
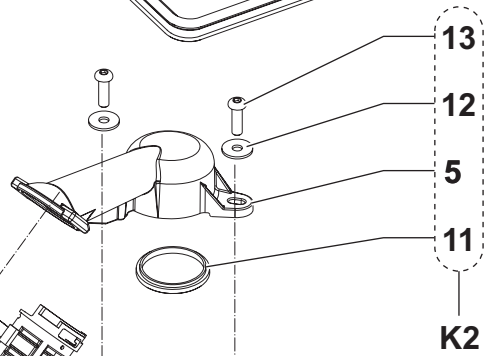
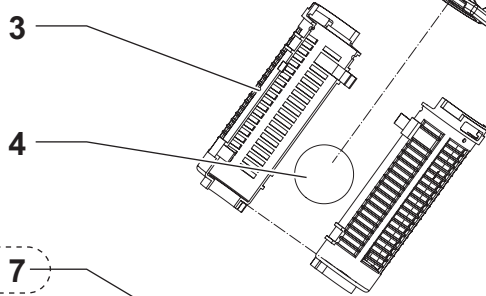
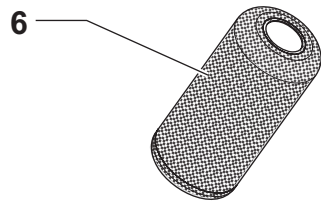
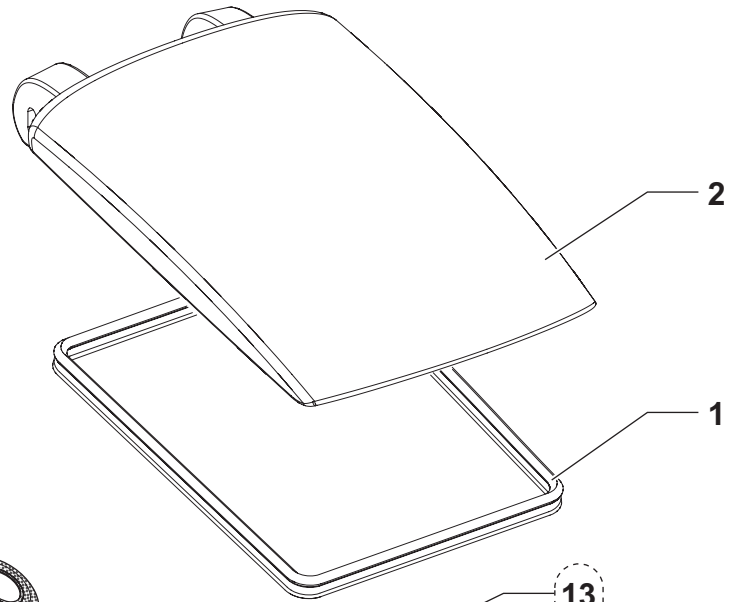
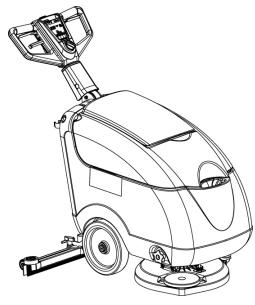
**FILTER AND WHEELS SYSTEM**



## FILTER AND WHEELS SYSTEM

	ITEM	REF. NO.	QTY	DESCRIPTION
K4	1		2	SCREW,PAN PHIL THD FORM
K4	2		1	SCREW, HEX THD TO HD M5X10
K4	3		2	SCREW, HEX THD TO HD M5X12
K4	4		2	NUT, HEX NYL LOC THIN M5
K4	5		2	WASHER, FLAT 5,3X10
	6	9097626000	1	VALVE ELBOW KIT
K1	7	909 5215 000	1	NET & GASKET WATER FILTER
K1	8		1	FILTER SOLUTION
	9	9099778000	1	HOSE SOLUTION FILTER KIT
K4	10		1	WASHER, SPLIT LOCK D.5
	11	9099200000	1	RUBBER ADHESIVE SPACER
	12	9099247000	1	SOLENOID VALVE 24V (EV1)
	13	9099179000	1	FILTER - SOLENOID VALVE SUPPORT
	14	9096916000	1	FILTER SOLUTION TANK
K3	15		1	NUT, HEX NYL LOC THIN M10
K3	16		1	PIVOT WHEEL 50X24
K3	17		1	MACHINE SUPPORTING ROAD
K3	18		1	MACHINE SUPPORTING ROAD
K3	19		1	PIN, SPRING 3X20
K3	20		1	PLUGER INDEXING
K3	21		1	WASHER, FLAT 10X16X2.0
K4	22		2	WASHER, FLAT XL
K4	23		2	WASHER, SPLIT LOCK D.6
K4	24		2	SCREW, HEX THD TO HD M6X14
K3	25		2	SCREW, FLAT SOCKET HEAD
K3	26		2	BUSHING
	27	9099410000	2	WHEEL D250X50 GREY RING BLACK BODY
K3	28		2	SPACER 17X21X10.5
K3	29		2	SHAFT RING D 17
K3	30		4	WASHER, FLAT 17X30
K3	31		1	WHEELS SHAFT
	<b>32*</b>	<b>909 6226 000</b>	<b>1</b>	<b>RUBBER SHOCK ABSORBER KIT</b>
	K1	9097404000	1	FILTER SOLUTION
	K2	9099705000	1	WHEEL KIT
	[K3]	9099765000	1	HARDWARE WHEELS SHAFT KIT
	[K4]	9099766000	1	HARDWARE FILTER AND SUPPORT KIT

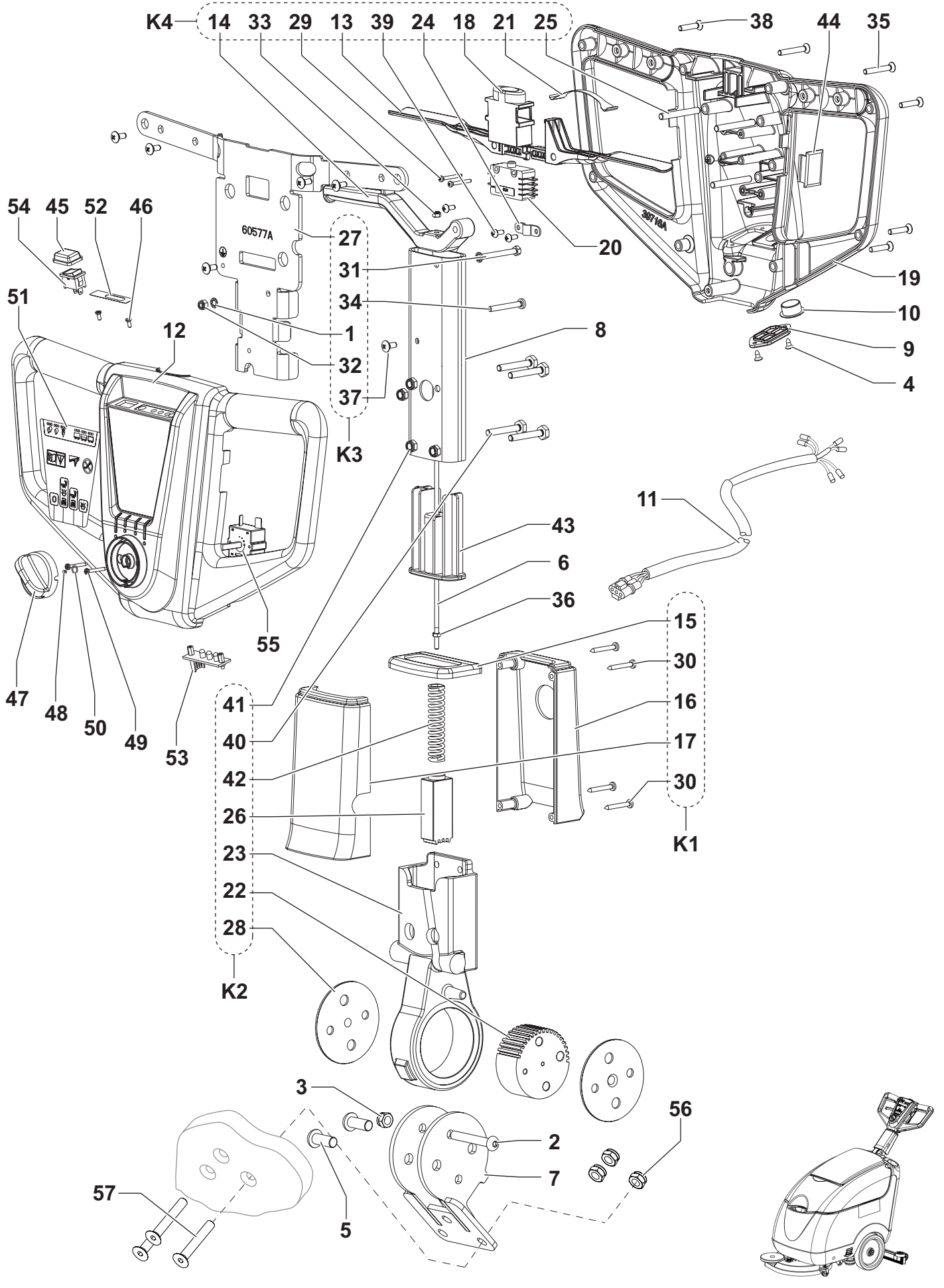
RECOVERY SYSTEM



## RECOVERY SYSTEM

	ITEM	REF. NO.	QTY	DESCRIPTION
	1	909 5716 000	1	GASKET
	2	909 5553 000	1	TANK COVER
	3	L08812259	2	FLOAT CAGE
	4	L08812373	1	FLOATING BALL
K2	5		1	SUPPORT FLOAT SYSTEM
	<b>6*</b>	<b>909 5065 000</b>	<b>1</b>	<b>FILTER ANTIFOAMING</b>
K1	7		1	RECOVERY TANK
K1	8	909 6060 000	1	SUCTION HOSE
	9	145 0543 000	2	CLAMP
	10	9099687000	1	HOSE DRAIN
K2	11		1	GASKET FLOAT SUPPORT
K2	12		2	WASHER, FLAT XL SS
K2	13		2	SCREW, BUTTON SOC M6X20
K2	14		2	NUT DRIVIN 6X6 SS
	K1	909 6061 000	1	RECOVERY TANK + SUCTION HOSE KIT
	K2	9099767000	1	SUPPORT FLOAT KIT

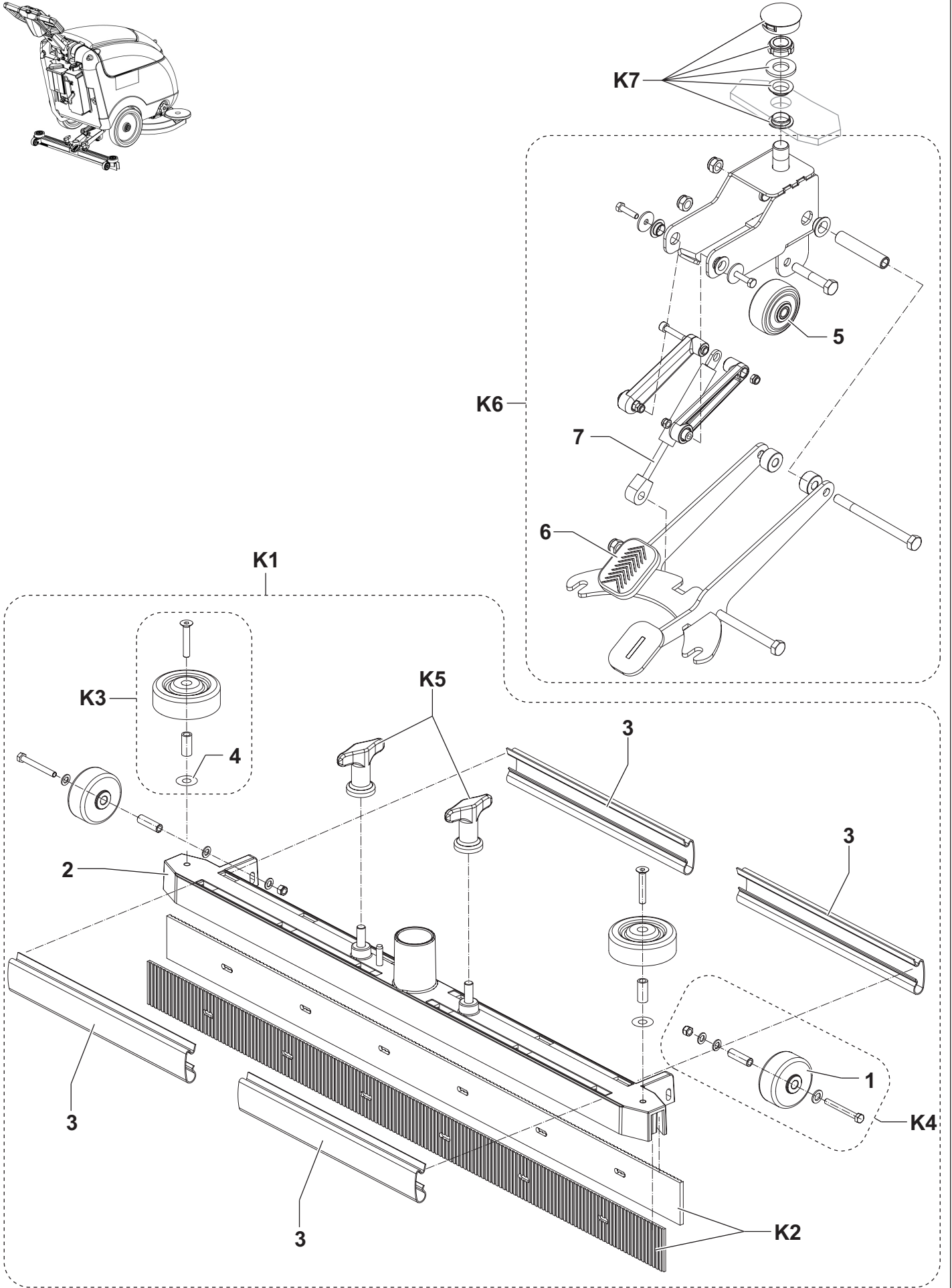
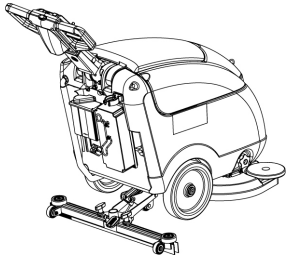
HANDLE SYSTEM



## HANDLE SYSTEM

	ITEM	REF. NO.	QTY	DESCRIPTION
K3	1		3	WASHER SH #1210-00
K5	2		1	SCREW, BUTTON SOC M8X55
K5	3		1	NUT, HEX NYL LOC THIN M8 SS
K5	4		2	SCREW, FLT PHIL THD FORM M4,2 X 50
K5	5		2	SCREW, BUTTON SOC M 10X25 SS
	6	9098805000	1	ROD INDEX
	7	9098806000	1	HANDLE SUPPORT
	8	9098808000	1	TUBE, HANDLE
	9	9098812000	1	CAP
	10	9098813000	1	BLACK CAP D.18,5/24
	11	9099054000	2	HARNESS HANDLE
	12	9098530000	1	COVER HANDLE FRONT
K4	13		2	LEVER SWITCH
K4	14		1	LEVER
K1	15		1	CAP RUBBER
K1	16		1	COVER REAR
K1	17		1	COVER FRONT
K4	18		1	BUTTON INTERLOCK
	19	39716A	1	REAR COVER HANDLE
	20	40263A	1	SWITCH (SW2)
K4	21		1	SPRING INTERLOCK BUTTON
K2	22		1	GEAR, HANDLE INDEXING
K2	23		1	HOUSING GEAR INDEX
K4	24		1	CLAMP CORD
K4	25		3	PIN HANDLE SUPPORT
K2	26		1	GERA INDEX
K3	27		1	HANDLE SUPPORT
K2	28		2	PLATE, GEAR HOUSING
K4	29		2	SCREW M3x25
K1	30		4	SCREW ST4.2-1.4
K3	31		1	SCREW M5x43
K3	32		1	NUT LOCK M5 SS HEX
K4	33		1	NUT LOCK M4 SS HEX
K3	34		1	SCREW M5x40 SS PAN HEAD PHILLIPS
K5	35		2	SCREW M5x35 SS HEAD PHILLIPS
	36	80402A	1	NUT HEX M4 SS
K3	37		6	SCREW M5x12 TRUSS HEAD PHILLIPS
K5	38		6	SCREW M5 X 25 SS FLAT HEAD PHILLIPS
K4	39		3	SCREW, M4 X 10 SS PAN HEAD PHILLIPS
K2	40		4	SCREW M6 X 40 SS HEX HEAD
K2	41		4	NUT LOCK M6 SS HEX
K2	42		1	SPRING COMPRESSION
	43	VF47033	1	HOUSING SPRING BLACK
	44	VF54041	1	CAP
	45	L08603154	1	CAPPUCCIO ANTISPRUZZO
K5	46		2	SCREW, FLT PHIL M5X20 UNI7688
	47	9097283000	1	KNOB CONTROL FUNCTIONS
K5	48		1	SCREW, SOC SET
K5	49		2	SCREW, PAN HD THD FORM
K5	50		1	SEAL O-RING M6x1
	51	9099056000	1	DECAL CONTROL PANEL BATTERY VERSION
	52	9098616000	1	DECAL, BATTERY LED
	53	9099053000	1	TWO-COLOURED LED BOARD (EBLED)
	54	9099107000	1	SINGLE-POLE MOMENTARY SWICTH (SW3)
	55	9099332000	1	ROTATIVE SWITCH (SW1)
K5	56		3	NUT, HEX NYL LOC THIN M10
K5	57		3	SCREW, FLAT SOCKET HEAD
	K1	11271A	1	LOWER COVER KIT
	K2	56381560	1	BOX HOUSING GEARS KIT
	K3	11273A	1	HANDLE SUPPORT KIT
	K4	11274A	1	HANDLE SWITCH LEVER KIT
	[K5]	9099768000	1	HARDWARE HANDLE BAR KIT

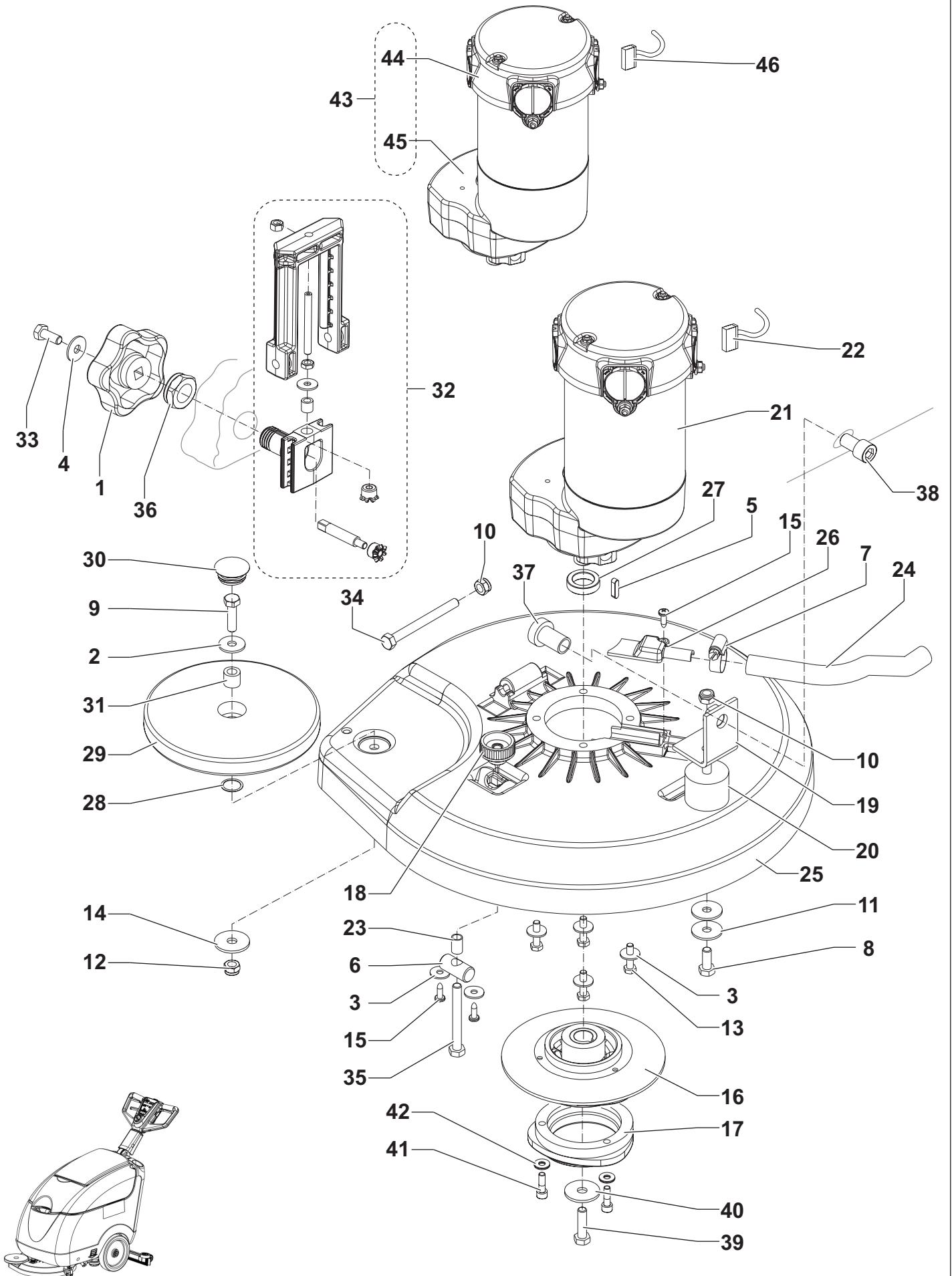
# SQUEEGEE AND LIFT SYSTEM



## SQUEEGEE AND LIFT SYSTEM

	ITEM	REF. NO.	QTY	DESCRIPTION	
	K4	1	L08603665	2	SQUEEGEE WHEEL
	K1	2	909 5554 000	1	SQUEEGEE WELDMENT
	K1	3	909 5555 000	4	SPRING
	K3	4	L08603689	2	WASHER FLAT 6X18 SS
	K6	5	L08603665	1	WHEEL D51 SQUEEGEE
	K6	6	9099106000	1	COVER, PEDAL
	K6	7	909 5637 000	1	GAS SPRING 180N
		K1	909 5702 000	1	SQUEEGEE CPL STR.740MM/29 KIT
	K1	K2	9097354000	1	BLADES PU KIT 720MM/28
	K1	K3	L08603880	1	ROLLER BUMPER KIT
	K1	K4	909 5703 000	1	WHEEL SQUEEGEE KIT
	K1	K5	9097637000	1	FIXING SQUEEGEE KIT
		K6	9099769000	1	SUPPORT SQUEEGEE LIFT KIT
		[K7]	9099770000	1	FIXING SUPPORT SQUEEGEE KIT

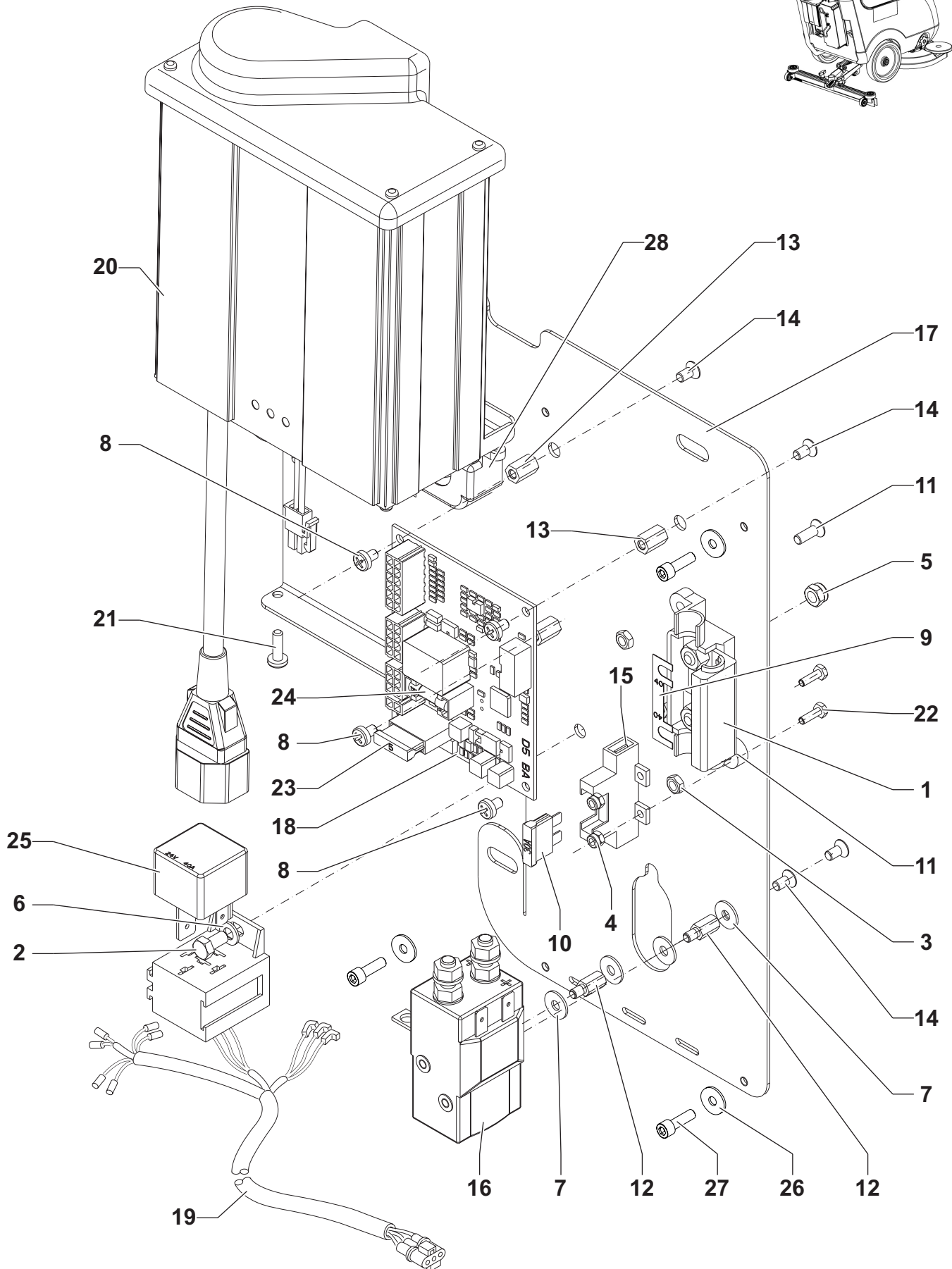
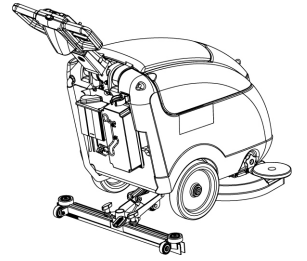
BRUSH SYSTEM



## BRUSH SYSTEM

	ITEM	REF. NO.	QTY	DESCRIPTION
	1	9098465000	1	KNOB
K1	2		1	WASHER, FLAT XL
K1	3		6	WASHER, FLAT XL SS
K1	4		1	WASHER 5X15 UNI6593
	5	145 9774 000	1	KEY 5X5X20
K1	6		1	SPACER WITH HOLE
K1	7		1	CLAMP, HOSE 09/12-22
K1	8		1	SCREW, HEX THD TO HD M8X25
K1	9		1	SCREW, HEX THD TO HD M8X30
K1	10		2	NUT, HEX NYL LOC THIN M8
K1	11		2	WASHER, FLAT XL 9X24 COPPER
K1	12		1	NUT, HEX NYL LOC THIN M8 SS
K1	13		4	SCREW, HEX THD TO HD M6X25 SS
K1	14		1	WASHER, FLAT XL SS
K1	15		3	SCREW, PAN HD THD FORM
	16	L08812306	1	HUB.BRUSH R.GEARMOTOR RIGHT
	17	L08812480	1	HUB BRUSH
	18	909 5964 000	1	KNOB M8
	19	9099356000	1	BRACKET SUPPORT BRUSH
	20	9097184000	1	VIBRATION DAMPING EI TYPE
	21	9098308000	1	REDUCTION GEARMOTOR 450W 24V (M1)
	22	9098376000	1	BRUSHES KIT
	21	9099805000	1	MOTOR REDUCTION GEAR 520W 24V (M1)
	22	909 6893 000	1	BRUSH CARBON KIT 4PCS (FOR 9099805000)
K1	23		1	SPACER
	24	9099779000	1	HOSE BRUSH DECK KIT
	25	9099093000	1	BRUSH DECK
	26	9099190000	1	SOLUTION PIPE SUPPORT COVER
K1	27		1	SPACER 20X30X7.5
K1	28		1	WASHER 15
	29	L08812204	1	ROLLER BUMPER
K1	30		1	CAP. BLACK
K1	31		1	SPACER 9X15X13
	32	9099771000	1	ADJUSTABLE DECK KIT
K1	33		1	SCREW, HEX M5X16
K1	34		1	SCREW, HEX M8X90
K1	35		1	SCREW, HEX THD TO HD M8X85
K1	36		1	NUT, HEX NYL LOC THIN M10
K1	37		1	BUSHING
K1	38		1	SCREW, SOC HD
	39	33003977	1	SCREW, HEX THD TO HD M6x30
	40	145 0493 000	1	WASHER, FLAT XL 6,6x24
K1	41		3	SCREW M6X20 UNI5931 SS
K1	42		3	WASHER NORD LOCK M6
	43	9099805000	1	MOTOR REDUCTION GEAR 520W 24V (M1)
	44	9097114000	1	MOTOR 520W 24V
	45	9099851000	1	REDUCTION GEAR
	46	909 6893 000	1	BRUSH CARBON KIT 4PCS
	[K1]	9099772000	1	HARDWARE BRUSH SYSTEM KIT

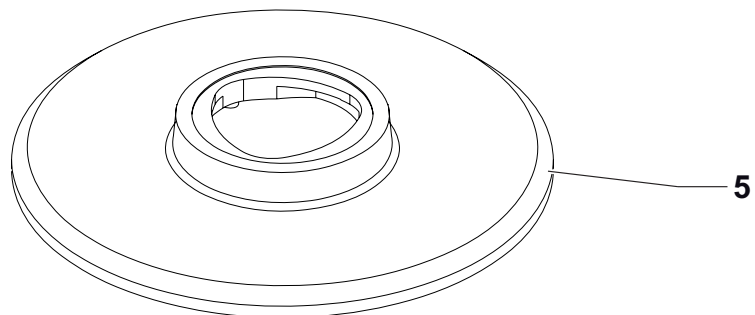
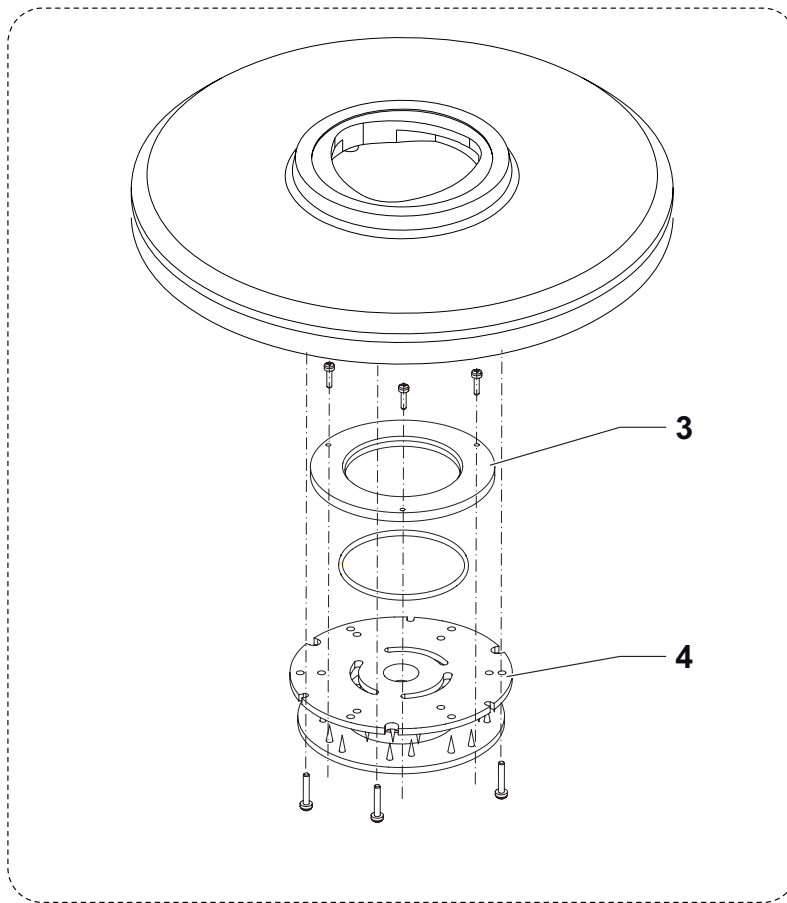
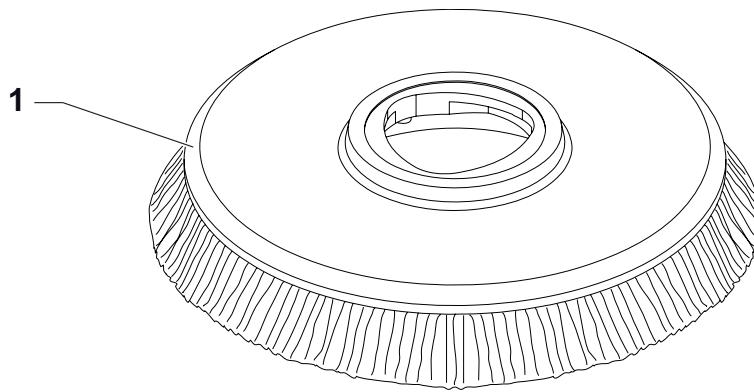
WIRING SYSTEM



## WIRING SYSTEM

	ITEM	REF. NO.	QTY	DESCRIPTION
K1	1		1	FUSE HOLDER
K1	2		1	SCREW, HEX THD TO HD M5X10
K1	3		2	NUT, HEX M4
K1	4		2	NUT, HEX NYL LOC M3
K1	5		1	NUT, HEX NYL LOC THIN M5
K1	6		1	WASHER, FLAT 5,3X10
K1	7		4	WASHER, FLAT XL 4,3X16
K1	8		4	SCREW, PAN PHIL M4X6
	9	145 3824 000	1	STRIP FUSE 40A (F1)
	10	145 8513 000	1	30A FUSE, BLADE (F2)
K1	11		2	SCREW, M4X12
K1	12		2	HEX MALE/FEMALE
K1	13			PLASTIC HEXAGONAL SPACER 4
K1	14		6	SCREW M4X8 UNI7688
	15	146 0660 000	1	HOLDER FUSE
	16	9097209000	1	SWITCH ELECTROMAGNETIC 24V 70A (K1)
	17	9098804000	1	PLATE ELECTRICAL COMPONENTS
	18	9099102000	1	ELECTRONIC BOARD BA (EB1)
	19	9099104000	1	ELETTRICI HARNESS ELECTRICAL BOX
	20	9099388000	1	BATTERY CHARGER 24V 8A (CH)
K1	21		2	SCREW, PAN PHIL THD FORM
K1	22		2	SCREW, HEX THD TO HD M3X10
	23	145 9852 000	1	5A FUSE, BLADE (F3)
	24	909 6678 000	1	FUSIBILE 20A VETRO RIT. (F4)
	25	909 6622 000	1	RELAY 24V 40A (K2)
K1	26		3	WASHER, FLAT XL
K1	27		3	SCREW SOC HD
	28	9099387000	1	FERRITE
	[K1]	9099773000	1	HARDWARE WIRING SYSTEM KIT

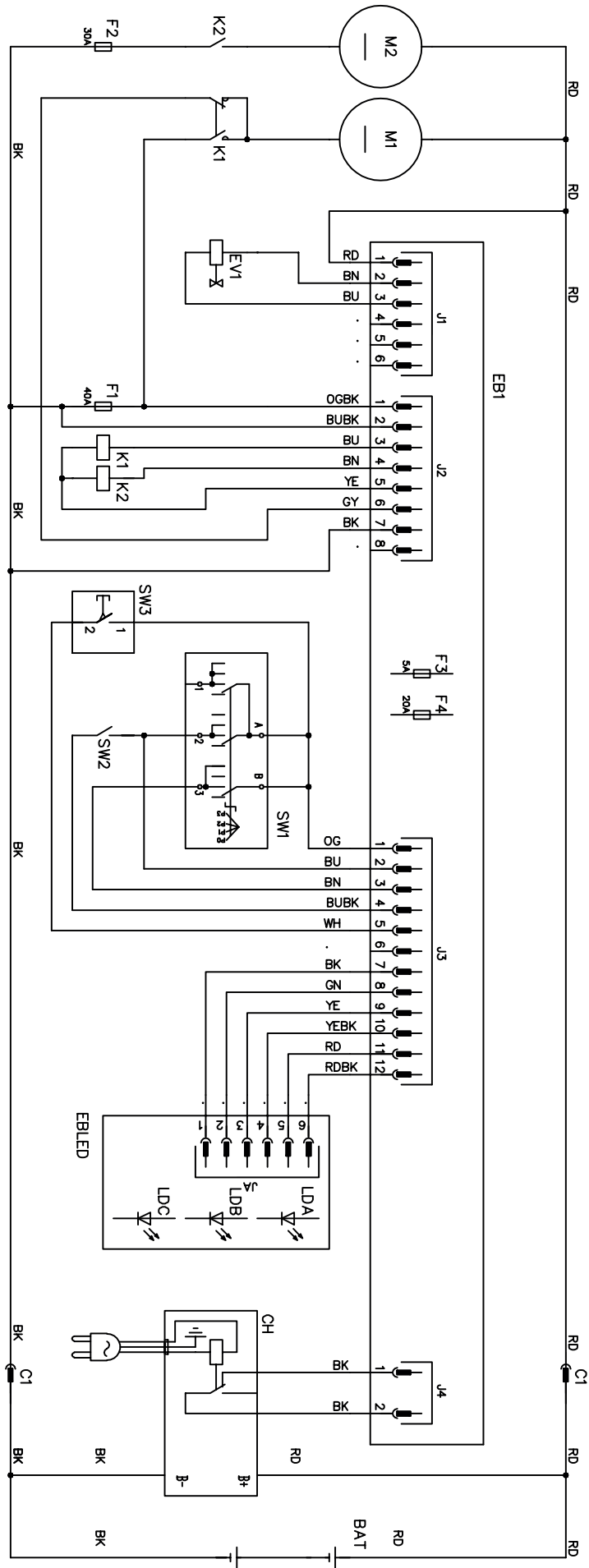
ACCESSORIES



## ACCESSORIES

KIT	ITEM	REF. NO.	QTY	DESCRIPTION
	1*	L08812891	1	BRUSH D.430 PROLENE PPL
	1*	909 5691 000	1	BRUSH Ø430 MIDLITE GRIT180
	1*	909 5692 000	1	BRUSH Ø430 MIDRIT 240
	1*	909 5693 000	1	BRUSH Ø430 PROLITE
	1*	909 5694 000	1	BRUSH Ø430 UNION MIX
	2*	909 5695 000	1	PAD HOLDER 410
	3	L08603966	1	RING NYLON
	4	L08837030	1	RETAINER PAD
	4	L08603965	1	SEAL O-RING
	5*	9099669000	1	PAD HOLDER GRIP 17"
	[6]*	10001935	1	PAD 17 432MM ECO CARPET BONNET 6PCS
	[6]*	10001936	1	PAD 17 432MM ECO WHITE 5PCS
	[6]*	10001937	1	PAD 17 432MM ECO TAN 5PCS
	[6]*	10001938	1	PAD 17 432MM ECO BLACK 5PCS
	[6]*	10001939	1	PAD 17 432MM ECO BLUE 5PCS
	[6]*	10001940	1	PAD 17 432MM ECO GREEN 5PCS
	[6]*	10001941	1	PAD 17 432MM ECO RED 5PCS
	[6]*	10002336	1	PAD 17 430MM DIAMOND LINE RED 2PCS
	[6]*	10002337	1	PAD 17 430MM DIAMOND LINE BLUE 2PCS
	[6]*	10002338	1	PAD 17 430MM DIAMOND LINE YELLOW 2PCS
	[6]*	10002339	1	PAD 17 430MM DIAMOND LINE GREEN 2PCS
	[7]*	80542432	1	CHARGER HF 24V 30A OPTIMA SB50R
	[8]*	909 5676 000	1	EXTENTION UK PLUG
	[9]*	80561252	1	BATTERY 12V-52AH AGM SPIRALCELL
	[9]*	80564200	1	BATTERY 12V-50AH AGM MONOBLOC
	[9]*	80561268	1	BATTERY 12V-68AH AGM SPIRALCELL
	[9]*	80564310	1	BATTERY 12V-76AH GEL MONOBLOC
	[9]*	56206988	1	BATTERY 86 AH MAINT-FREE GEL

WIRING DIAGRAM



**WIRING DIAGRAM**

KEY	REF. NO.	DESCRIPTION
BAT	-	24V BATTERY
C1	9098761000	BATTERY CONNECTOR
CH	9099388000	BATTERY CHARGER
EB1	9099102000	CONTROL PANEL BOARD
EBLED	9099053000	LED BOARD
EV1	9099247000	SOLENOID VALVE DETERGENT
F1	145 3824 000	BRUSH MOTOR FUSE 40A
F2	145 8513 000	VACUUM MOTOR FUSE 30A
F3	145 9852 000	LOW POWER CIRCUIT FUSE 5A
F4	909 6678 000	BRUSH RELEASE FUSE 20A
K1	9097209000	BRUSH MOTOR CONTACTOR
K2	909 6622 000	VACUUM MOTOR RELEAY
LDA	-	GREEN LED
LDB	-	GREEN/YELLOW LED
LDC	-	GREEN/RED LED
M1	9098308000	BRUSH MOTOR
M2	909 5713 000	VACUUM MOTOR
SW1	9099332000	MAIN SWITCH
SW2	40263A	BRUSH SAFETY SWITCH
SW3	9099107000	WATER FLOW SWITCH

KEY	COLOUR
BK	BLACK
BU	LIGHT BLUE
BN	BROWN
GN	GREEN
GY	GREY
OG	ORANGE

KEY	COLOUR
PK	PINK
RD	RED
VT	VIOLET
WH	WHITE
YE	YELLOW

## RECOMMENDED SPARE PARTS

REF. NO.	QTY	DESCRIPTION
		<b>NORMAL WEAR</b>
9097354000	1	BLADES PU KIT 720MM/28
L08812891	1	BRUSH D.430 PROLENE PPL
		<b>ORDINARY MAINTENANCE</b>
909 5713 000	1	MOTOR VACUUM KIT (M2)
909 5371 000	2	CARBON BRUSH
9097404000	1	FILTER SOLUTION
909 5716 000	1	GASKET
909 6060 000	1	SUCTION HOSE
L08603665	1	WHEEL D51 SQUEEGEE
9099106000	1	COVER, PEDAL
L08603880	1	ROLLER BUMPER KIT
909 5703 000	1	WHEEL SQUEEGEE KIT
L08812480	1	HUB BRUSH
9097184000	1	VIBRATION DAMPING EI TYPE
9098376000	1	BRUSHES KIT
		<b>EXTRA-ORDINARY MAINTENANCE</b>
9098446000	1	SOLUTION HOSE 600 MM
909 6380 000	1	CLAMP KIT
9097626000	1	VALVE ELBOW KIT
9099247000	1	SOLENOID VALVE 24V (EV1)
9099705000	1	WHEEL KIT
145 0543 000	2	CLAMP
40263A	1	SWITCH (SW2)
9099107000	1	SINGLE-POLE MOMENTARY SWICHT (SW3)
9099332000	1	ROTATIVE SWITCH (SW1)
909 5554 000	1	SQUEEGEE WELDMENT
909 5555 000	4	SPRING
909 5637 000	1	GAS SPRING 180N
9098308000	1	REDUCTION GEARMOTOR 450W 24V (M1)
9099771000	1	ADJUSTABLE DECK KIT
145 3824 000	1	STRIP FUSE 40A (F1)
145 8513 000	1	30A FUSE, BLADE (F2)
9097209000	1	SWITCH ELECTROMAGNETIC 24V 70A (K1)
9099102000	1	ELECTRONIC BOARD BA (EB1)
9099104000	1	ELETTRICI HARNESS ELECTRICAL BOX
9099388000	1	BATTERY CHARGER 24V 8A (CH)

## OPTIONAL

REF. NO.	QTY	DESCRIPTION
909 6226 000	1	RUBBER SHOCK ABSORBER KIT
909 5065 000	1	FILTER ANTIFOAMING
9097354000	1	BLADES PU KIT 720MM/28
L08812891	1	BRUSH D.430 PROLENE PPL
909 5691 000	1	BRUSH Ø430 MIDLITE GRIT180
909 5692 000	1	BRUSH Ø430 MIDRIT 240
909 5693 000	1	BRUSH Ø430 PROLITE
909 5694 000	1	BRUSH Ø430 UNION MIX
909 5695 000	1	PAD HOLDER 410
9099669000	1	PAD HOLDER GRIP 17"
9099669000	1	PAD HOLDER GRIP 17"
9097290000	1	HOSE FILLING
10001935	1	PAD 17 432MM ECO CARPET BONNET 6PCS
10001936	1	PAD 17 432MM ECO WHITE 5PCS
10001937	1	PAD 17 432MM ECO TAN 5PCS
10001938	1	PAD 17 432MM ECO BLACK 5PCS
10001939	1	PAD 17 432MM ECO BLUE 5PCS
10001940	1	PAD 17 432MM ECO GREEN 5PCS
10001941	1	PAD 17 432MM ECO RED 5PCS
10002336	1	PAD 17 430MM DIAMOND LINE RED 2PCS
10002337	1	PAD 17 430MM DIAMOND LINE BLUE 2PCS
10002338	1	PAD 17 430MM DIAMOND LINE YELLOW 2PCS
10002339	1	PAD 17 430MM DIAMOND LINE GREEN 2PCS
9099388000	1	BATTERY CHARGER 24V 8A (CH)
80542432	1	CHARGER HF 24V 30A OPTIMA SB50R
909 5676 000	1	EXTENTION UK PLUG
80561252	1	BATTERY 12V-52AH AGM SPIRALCELL
80564200	1	BATTERY 12V-50AH AGM MONOBLOC
80561268	1	BATTERY 12V-68AH AGM SPIRALCELL
80564310	1	BATTERY 12V-76AH GEL MONOBLOC
56206988	1	BATTERY 86 AH MAINT-FREE GEL



**Advance**

14600 21st Avenue North  
Plymouth, MN 55447-3408  
[www.advance-us.com](http://www.advance-us.com)  
Phone: 800-989-2235  
Fax: 800-989-6566  
©2012 Nilfisk-Advance, Inc.

---

A Nilfisk-Advance Brand