



Electronic Service Manuals

This electronic document is provided as a service to our customers. We do not create the contents of the information contained in this document. Should you have detailed questions pertaining to the information contained in this document, you may contact Michco, or the manufacturer which provided the original information in this electronic deliverable. Michco's only part in this electronic deliverable was the electronic assembly process. By providing this manual on line we are not guaranteeing parts availability.

You may contact Michco through the following methods:

Phone (517) 484-9312 or (800) 331-3339

2011 N. High St. -- Lansing, Michigan -- 48906

Fax: (517) 484-9836

Email: CustServe@Michco.com

Web site: www.Michco.Com

Parts Web site: www.FloorMachineParts.Com

Order Parts on Line at:

www.FloorMachineParts.Com

Directly to Parts & Service:

By Email: **Shop@Michco.com**

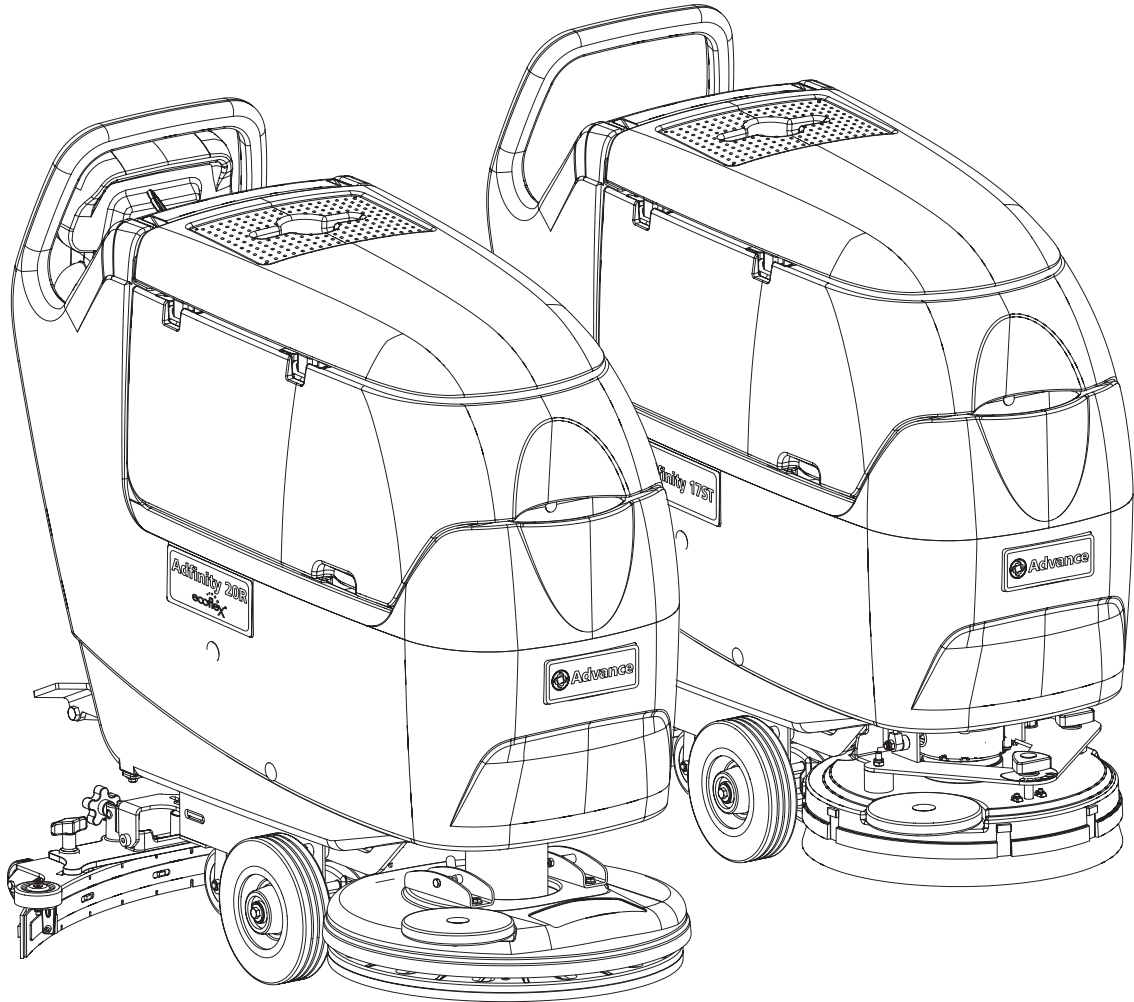
By Fax: (517) 702-2041

By Voice: Use numbers above.

Serving the Cleaning Industry Since 1922

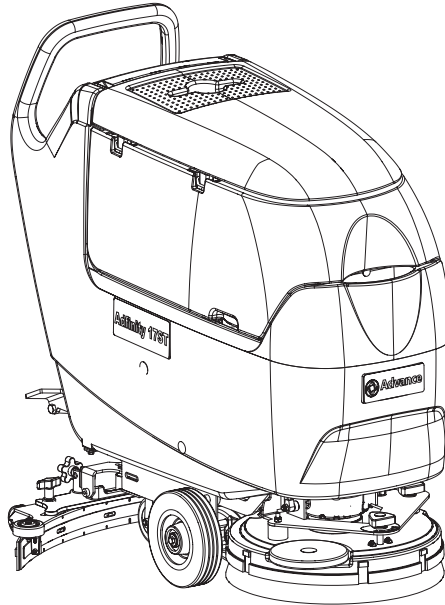
Notice: All copyrighted material remains property of original owners, all trademarks are property of respective owners. Manuals are subject to Manufacturer's reproduction limitations. Originals or reproductions were provided by manufacturers through a request. We make no warranty as to the correctness of information provided in this document and you assume all risk. By placing these manuals on line we are not declaring our corporation to be an manufacturer authorized dealer or provider, please check our web site for authorized manufacturers we represent.

Adfinity™ 17ST / 20ST Adfinity™ X20R ecoflex™



PARTS LIST

Advance models: 908 7161 020
908 7162 020
9087290020



DESCRIPTION

PLAN

GENERAL VIEW	2 - 3
SOLUTION TANK	4 - 5
RECOVERY TANK	6 - 7
CHASSIS SYSTEM	8 - 11
WHEELS SYSTEM	12 - 13
HANDLE ASSEMBLY	14 - 15
SOLUTION SYSTEM	16 - 17
ECOFLEX™ SYSTEM	18 - 19
SQUEEGEE SYSTEM	20 - 21
BRUSH SYSTEMS Adfinity™ 17ST / 20ST	22 - 23
BRUSH SYSTEMS Adfinity™ X20R	24 - 25
SPLASH GUARDS	26 - 27
ACCESSORIES	28 - 29
CONTROL PANEL SYSTEM	30 - 33
ELECTRICAL COMPONENTS	34 - 37
WIRING DIAGRAM	38 - 39
RECOMMENDED SPARE PARTS	40 - 41
OPTIONALS	42

WHEN ORDERING PARTS

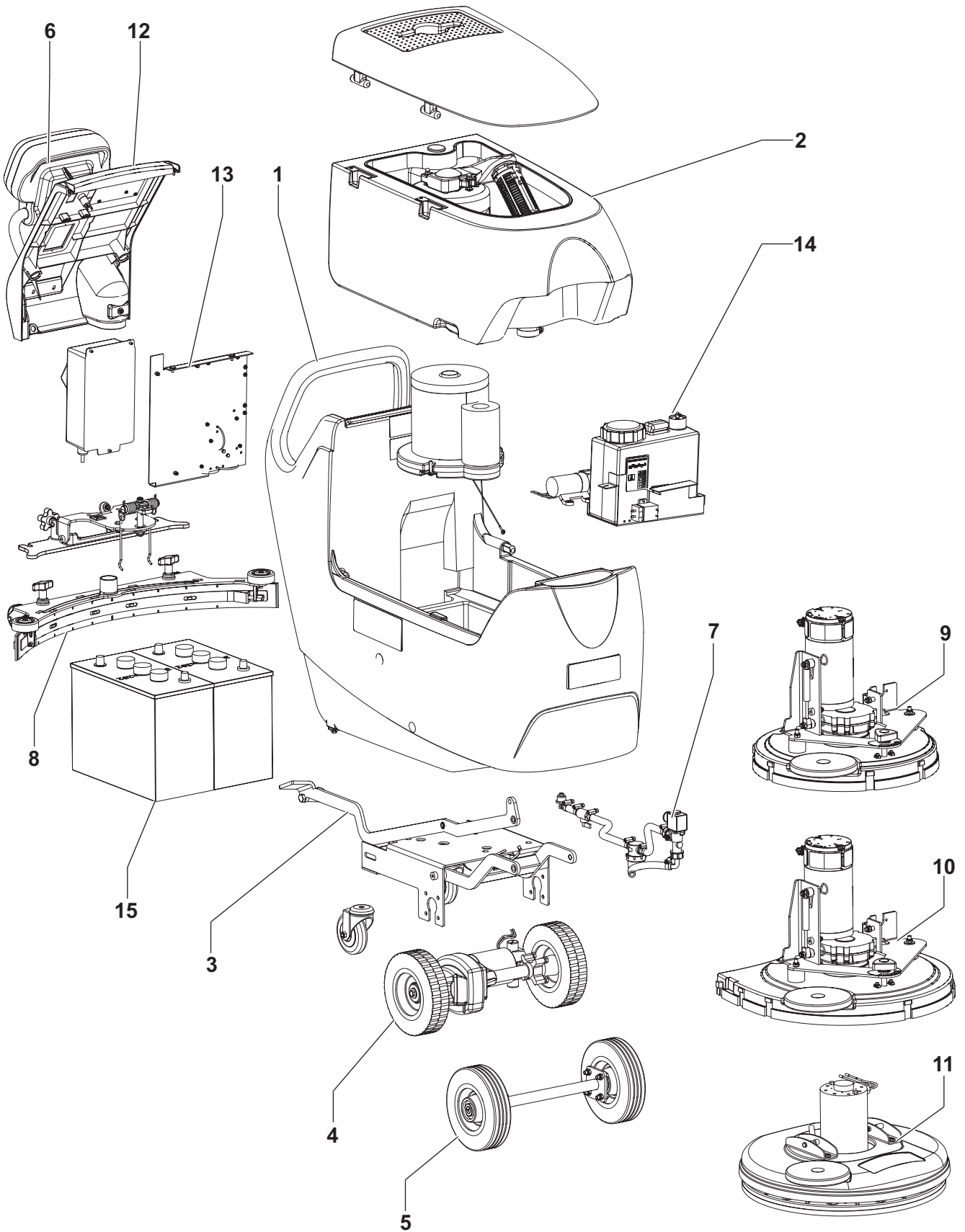
- * Use the 8, 9 or 10 digit numbers from the "Ref. No." columns in this parts list.
- * Specify the model and serial number of the machine.
- * Use the space below to record the model and serial number for future reference.

Model _____ Serial No. _____

*** = Optional**

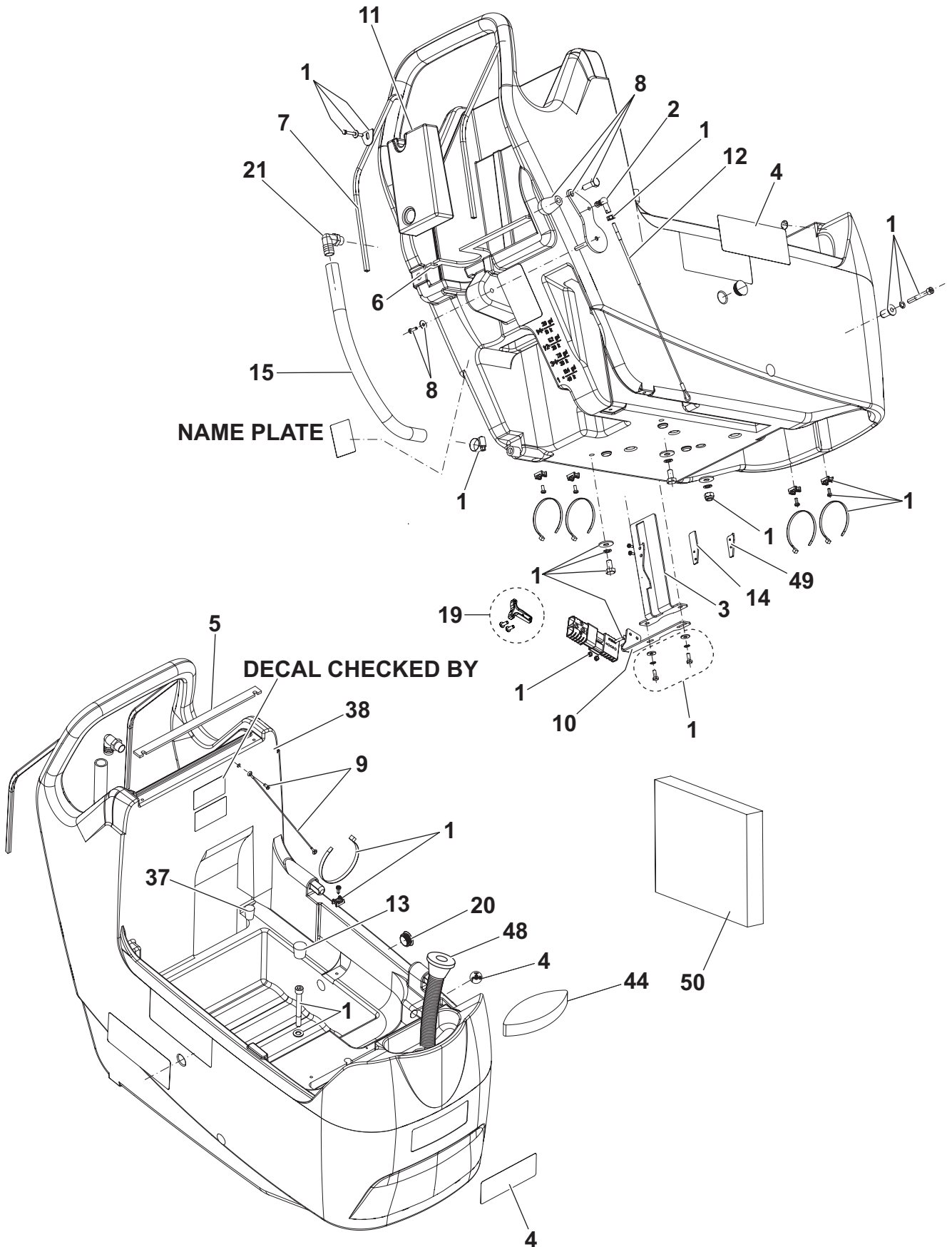
= Modified item No. or New item No.

[] = Not shown



2007-01	GENERAL VIEW		
2010-11	Adfinity™ 17ST / 20ST / X20R		3

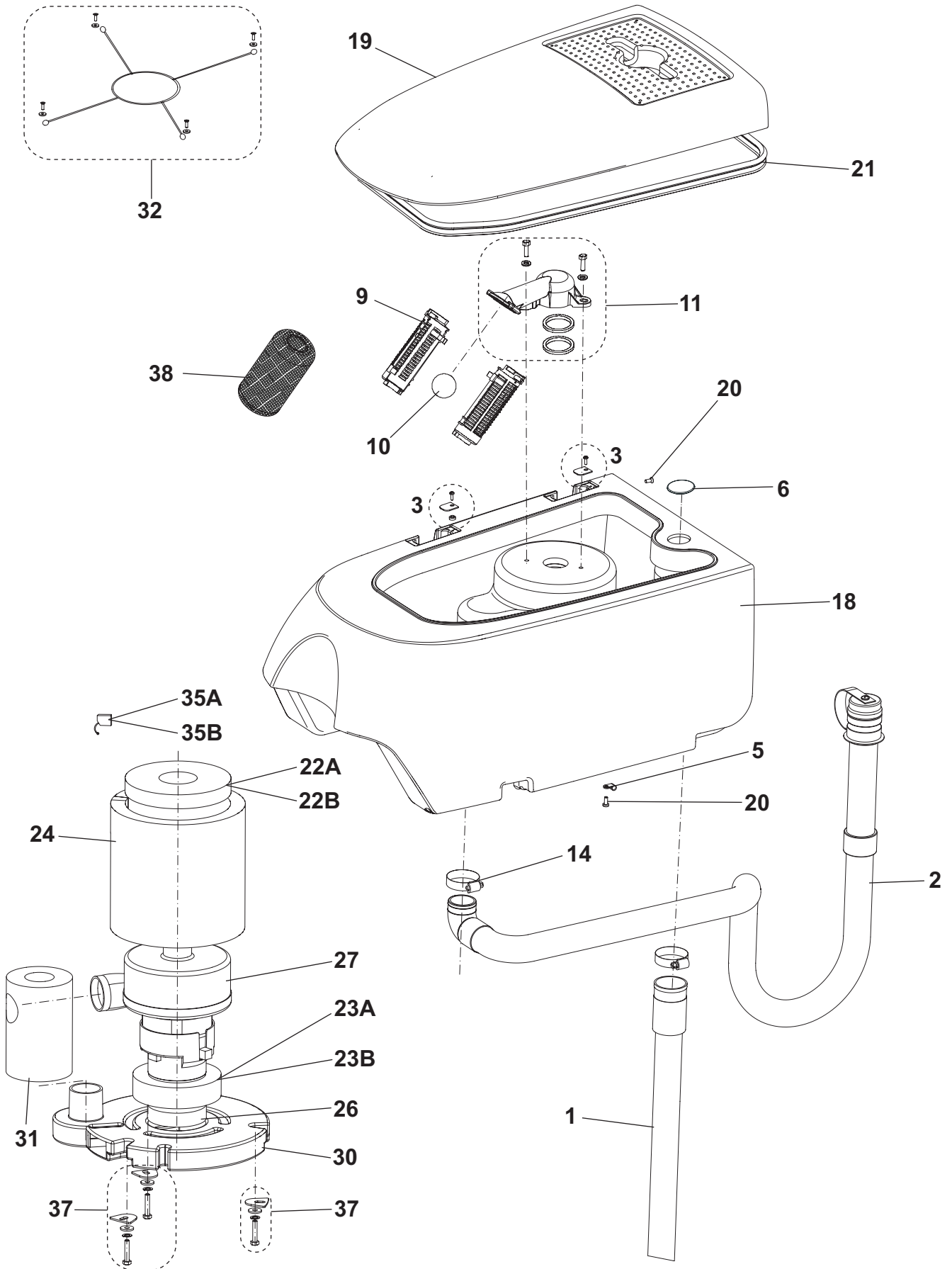
Item No.	Ref. No.	Qty	Description
1		1	SOLUTION TANK
2		1	RECOVERY TANK
3		1	CHASSIS SYSTEM
4		1	WHEELS AND TRACTION ADFINITY™ X20R
5		1	WHEELS SYSTEM ADFINITY™ 17ST / 20ST
6		1	HANDLE ASSEMBLY
7		1	SOLUTION SYSTEM
8		1	SQUEEGEE SYSTEM
9		1	BRUSH SYSTEM ADFINITY™ 17ST
10		1	BRUSH SYSTEM ADFINITY™ 20ST
11		1	BRUSH SYSTEM ADFINITY™ X20R
12		1	CONTROL PANEL SYSTEM
13		1	ELECTRICAL COMPONENTS
14		1	ECOFLEX™ SYSTEM
15		1	BATTERY ASSEMBLY



2007-01	SOLUTION TANK			
2011-11	Adfinity™ 17ST / 20ST / X20R			5

Item No.	Ref. No.	Qty	Description
1	9098265000	1	KIT, HARDWARE SOLUTION TANK
2	145 8479 000	1	DOWEL M6
3	909 6550 000	1	PEDAL SUPPORT
4	9098345000	1	KIT, DECALS
5	909 6596 000	1	GASKET
6	909 6597 000	1	GASKET
7	909 6892 000	2	GASKET
8	9097630000	1	KIT, HARDWARE SQUEEGEE LEVER FIXING
9	909 6874 000	1	KIT, CABLE TANK BLOCK
10	909 6649 000	1	BRACKET CONNECTOR SUPPORT
11	909 6841 000	1	WEIGHT
12A	9098673000	1	KIT, SQUEEGEE LIFTING CABLE - TSB IT 2010-053
	9098672000	1	INSTALLATION INTRUCTIONS F/ SQUEEGEE LIFTING CABLE
13	909 6673 000	1	CAP
14	9096999000	1	PLATE PEDAL BRACKET (FOR ADFINITY™ 17ST / 20ST)
15	909 6681 000	1	FRESH WATER HOSE
19	1464116000	1	HANDLE RED PLASTIC F BATTERY CONNECTOR
20	L08812457	2	TANK LOCKING CAP
21#	9099374000	1	FITTING PIPE
37	909 6236 000	1	BLACK CAP
38	909 6320 000	1	SOLUTION TANK 35L
44	909 6650 000	1	SPONGE IN-LET FRESH WATER TANK
48*	9097290000	1	FILLING HOSE
49	9099137000	1	NYLON PLATE (FOR ADFINITY™ X20R)
50#	146 0668 000	1	PANEL INSULATING

A: SEE TSB IT 2010-053

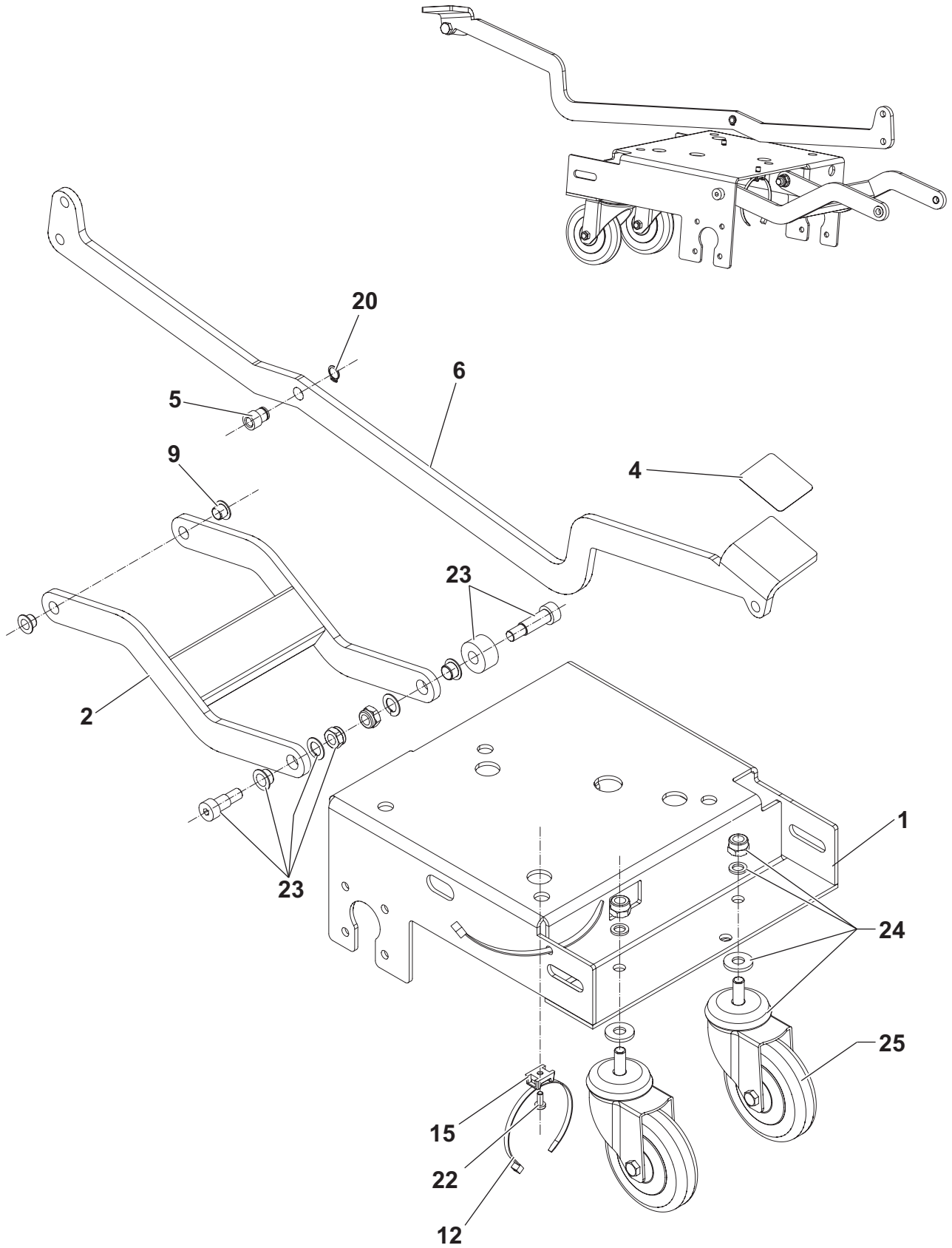


2007-01	RECOVERY TANK		
2011-11	Adfinity™ 17ST / 20ST / X20R		7

Item No.	Ref. No.	Qty	Description
1	909 6230 000	1	VACUUM HOSE
2#	9099165000	1	DRAIN HOSE
3	9097654000	1	KIT, TANK FIXING
5	L08603845	1	CLAMP
6	909 6899 000	1	PLUG D.4
9	L08812259	2	CAGE FLOAT COMPLETE
10	L08812373	1	FLOATING BALL
11	9097681000	1	KIT, CAGE FLOAT HOLDER
	9097680000	1	INSTALLATION INSTRUCTIONS F/ CAGE FLOAT H.
14	145 0543 000	2	CLAMP
18	909 6321 000	1	RECOVERY TANK 35L
19	909 6322 000	1	TANK COVER 35L
20	909 6337 000	2	SCREW CYL HD M5X12
21	909 6901 000	1	COVER TANK GASKET
22A	9096918000	1	GASKET SUCTION MOTOR
22B	9098057000	1	GASKET SUCTION MOTOR
23A	909 6490 000	1	GASKET SUCTION MOTOR
23B	9098056000	1	GASKET SUCTION MOTOR
24	909 6491 000	1	ACOUSTIC INSULATION PANEL
26	909 6672 000	1	FILTER
27#	9099401000	1	KIT, MOTOR VACUUM (M2)
30	909 6051 000	1	VACUUM MOTOR COVER
31	909 6442 000	1	ACOUSTIC INSULATION PIPE
32*	909 6734 000	1	KIT, RUBBER BAND
35A	909 5371 000	2	CARBON BRUSH (AMETEK)
35B	9098231000	1	KIT, CARBON BRUSH (VIPER)
37	909 6877 000	1	KIT, HARDWAREVACUUM MOTOR
38*	909 5065 000	1	FILTER ANTIFOAMING TSB IT 2008-002
[39]	909 6876 000	1	KIT, HARDWARE OLD TYPE CAGE SUP.FIXING FOR OLD CAGE FLOAT HOLDER
[40]*#	9098853000	1	ELBOW 90 SUCT.HOSE KIT RAL7001

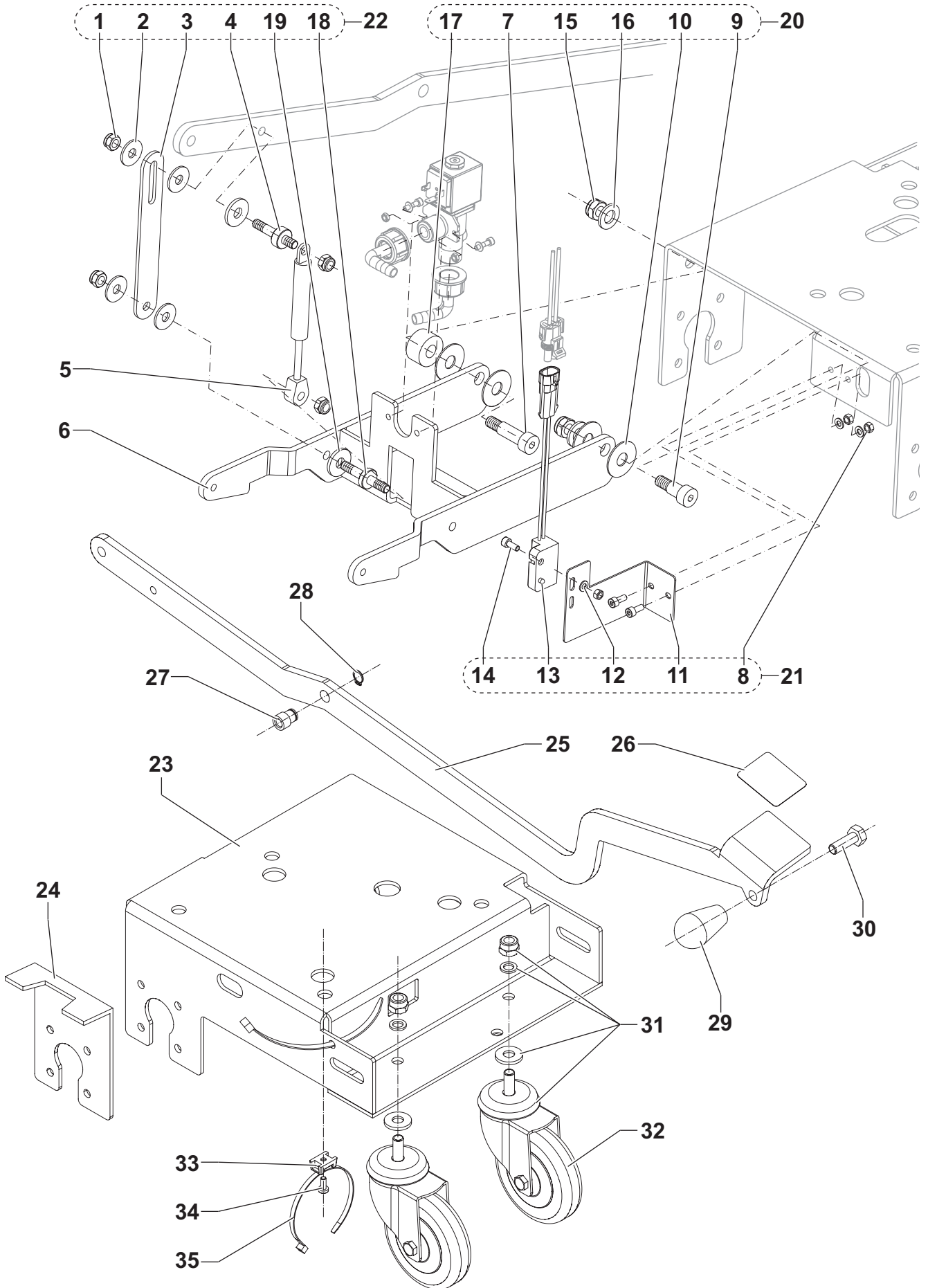
A: FOR MOTOR 9099401000 (AMETEK)

B: FOR MOTOR 9098062000 (VIPER)



2007-01	CHASSIS SYSTEM		
2011-11	Adfinity™ 17ST / 20ST		9

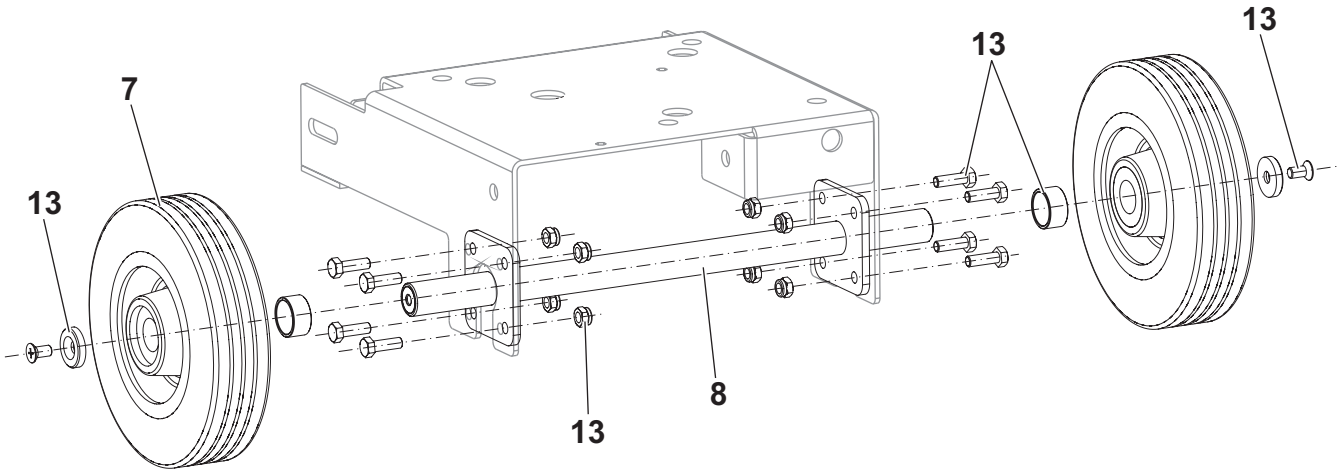
Item No.	Ref. No.	Qty	Description
1	909 6482 000	1	CHASSIS
2	909 6486 000	1	BRUSH LIFTING LEVER
4	909 6539 000	1	ANTISKID MAT
5	909 6540 000	1	BUSHING FLANGED
6	909 6549 000	1	PEDAL BRUSH LIFTING
9	909 6594 000	3	BUSHING FLANGED
12	145 0524 000	3	PASSRING
15	909 6595 000	1	FLAT TIE HOLDER
20	33006051	1	RETAINING RING
22	909 6337 000	1	SCREW CYL HD M5X12
23	909 6878 000	1	KIT, HARDWARE CHASSIS SYSTEM
24#	9099028000	2	WHEEL CASTOR WITH HARDWARE KIT - TSB IT 2011-071
	9099245000	1	INSTALLATION INSTRUCTIONS
24*	9098619000	2	WHEEL CASTOR PU SS WITH HARDWARE KIT
25#	9099014000	2	WHEEL CASTOR CHROMATE



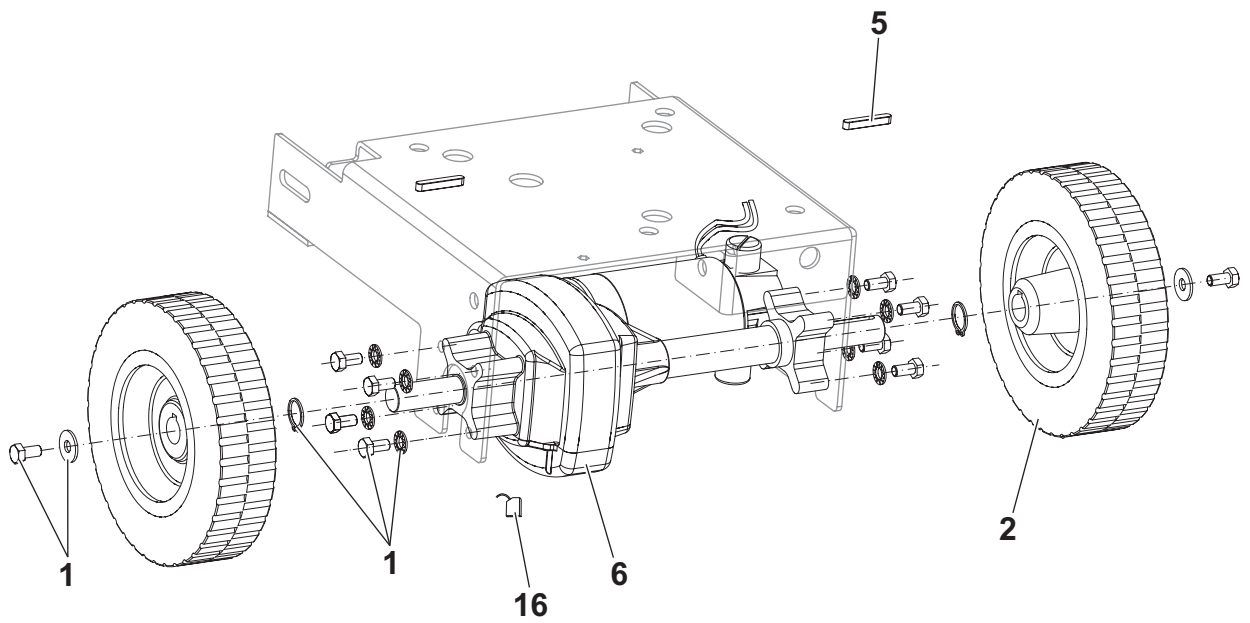
2007-01	CHASSIS SYSTEM			
2011-11	Adfinity™ X20R			11

Item No.	Ref. No.	Qty	Description
1		4	NUT HEX NYL M8 SS
2		4	WASHER 9X25X2 NYLON
3		1	LINK LIFT
4		1	PIN UPPER GAS SPRING
5	9097080000	1	SPRING GAS 100 N
6	56390013	1	ARM WELDMENT
7		1	SCREW SHOULDER 12X30 M10
8		3	NUT HEX M5 UNI5588 SS
9		1	SCREW SHOULDER 12X16 M10
10		4	WASHER FLAT 12.7X35X1.5MM
11	56390031	1	BRACKET SWITCH
12		3	WASHER M5 UNI6592 SS
13		1	SENSOR PROXIMITY
14		3	SCREW M5X12 UNI5931 SS
15		2	NUT SELF L. M10 UNI7474
16		2	WASHER M12 UNI6592
17		1	SPACER 12.2X30X16.5
18		1	PIN LOWER GAS SPRING
19		2	WASHER RUBBER
20	9098987000	1	KIT, MOUNTING HARDWARE (ITEM 7-9-10-15-16-17)
21	9098988000	1	KIT, SENSOR (SW3) (ITEM 8-11-12-13-14)
22	9098986000	1	KIT, LINK (ITEM 1-2-3-18-19)
23	909 6482 000	1	CHASSIS
24#	9098587000	1	BRACKET TANK SUPPORTING
25#	9099157000	1	PEDAL BRUSH LIFTING
26	909 6539 000	1	ANTISKID MAT
27	909 6540 000	1	BUSHING FLANGED
28	33006051	1	RETAINING RING
29	909 6621 000	1	KNOB
30	33004010	1	SCREW HEX HD M10X30
31	9099028000	2	WHEEL CASTOR WITH HARDWARE KIT - TSB IT 2011-071
	9099245000	1	INSTALLATION INSTRUCTIONS
31*#	9098619000	2	WHEEL CASTOR PU SS WITH HARDWARE KIT
32	9099014000	2	WHEEL CASTOR CHROMATE
33	909 6595 000	1	FLAT TIE HOLDER
34	909 6337 000	1	SCREW CYL HD M5X12
35	145 0524 000	3	PASSRING

WITHOUT TRACTION
(ADFINITY™ 17ST - 20ST)



WITH TRACTION
(ADFINITY™ X20R)



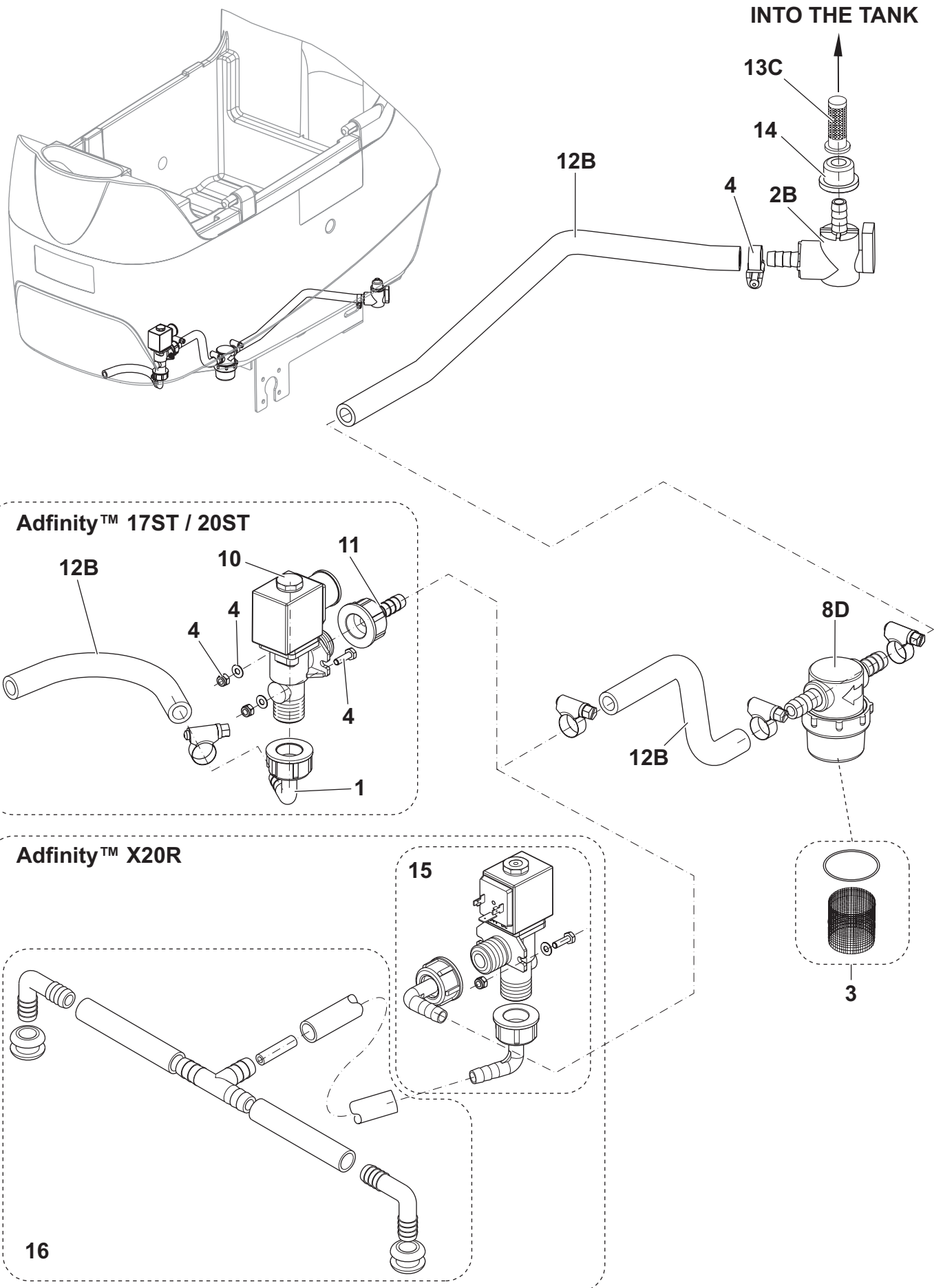
2007-01	WHEELS SYSTEM		
2010-11	Adfinity™ 17ST / 20ST / X20R		13

Item No.	Ref. No.	Qty	Description
1	9098298000	1	KIT, HARDWARE DRIVE WHEELS
2	9097032000	2	WHEEL FRONT DRIVE D.200 65SH
5	146 0769 000	2	KEY
6	909 6548 000	1	MOTODIFFERENTIAL (M3)
7	909 6507 000	2	WHEEL
7*	9097167000	2	WHEEL FRONT D.200 65SH
8	909 6508 000	1	WHEELS SHAFT
13	9098299000	1	KIT, HARDWARE WHEELS
16	145 5124 000	2	CARBON BRUSH

2007-01	HANDLE ASSEMBLY			
2011-11	Adfinity™ X20R			15

Item No.	Ref. No.	Qty	Description
1	9096907000	1	HANDLE HARNESS
2	909 6653 000	1	HANDLE BAR
3	9097622000	1	KIT, SWITCH HOUSINGS UPPER/LOWER
4	9098300000	1	KIT, HARDWARE HANDLE FIXING
5A#	9098792000	1	HOUSING SWITCH LOWER KIT
10	L08812279	2	CLAMP
11	L08812282	1	CAM HANDLE MICROSWITCH
19	145 1330 000	3	SPACER
20	909 6471 000	1	POTENTIOMETER KNOB
23	909 6677 000	2	MICROSWITCH (SW1 - SW2)
24	9096923000	1	CAM HANDLE MICROSWITCH
25	909 6544 000	1	SPEED POTENTIOMETER HARNESS (RV2)

A: TSB IT 2010-060



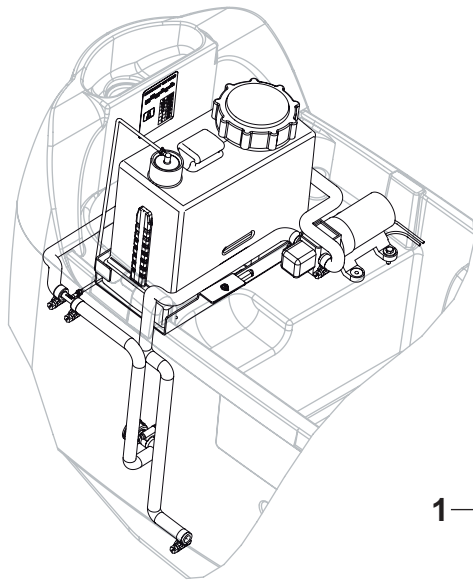
2007-01	SOLUTION SYSTEM		
2010-11	Adfinity™ 17ST / 20ST / X20R		17

Item No.	Ref. No.	Qty	Description
1	9098777000	1	KIT, RUBBER HOLDER
2B	9096994000	1	VALVE 3/8 PVC F
3	L08603893	1	KIT, NET FILTER WITH GASKET
4	9098301000	1	KIT, HARDWARE SOLUTION SYSTEM
8D	9097166000	1	KIT, FILTER CPL
10	909 6555 000	1	SOLENOID VALVE 24V (EV1)
11	909 6636 000	1	HOLDER RUBBER 1/2 FEMALE
12B	9096995000	1	KIT, VALVE ELBOW W/PIPES
13*C	9096916000	1	FILTER
14	909 5286 000	1	GASKET
15	9098985000	1	KIT, SOLENOID VALVE (EV1) (FOR X20R)
16	9098981000	1	KIT, SOLUTION HOSE (FOR X20R)

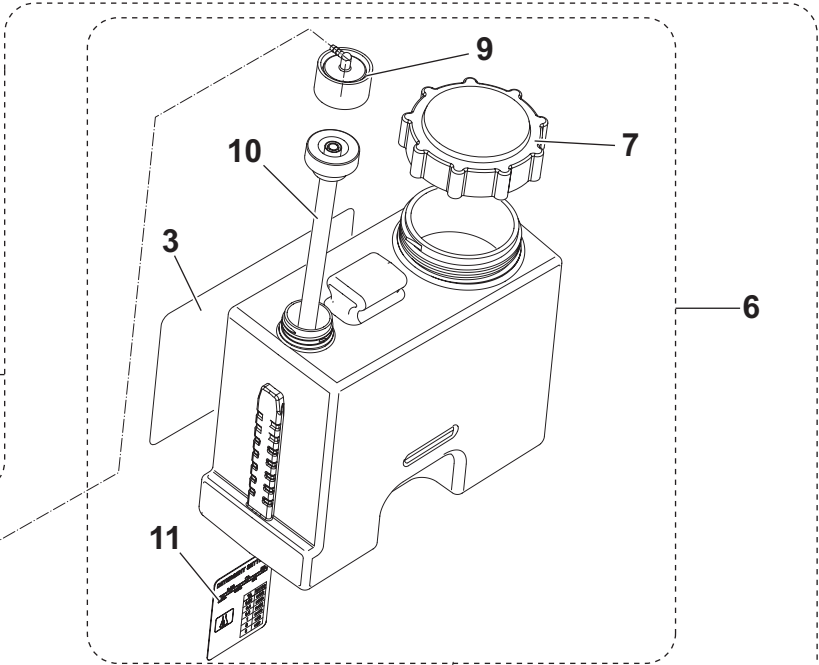
B: SEE TSB IT 2007-027a

C: SEE TSB IT 2007-015

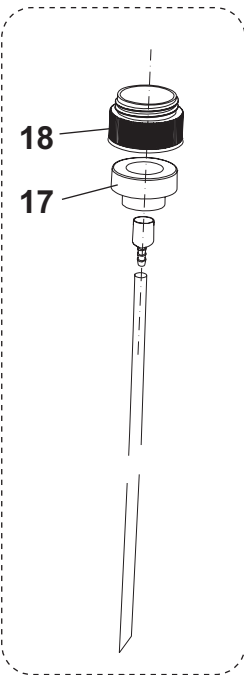
D: SEE TSB IT 2007-021



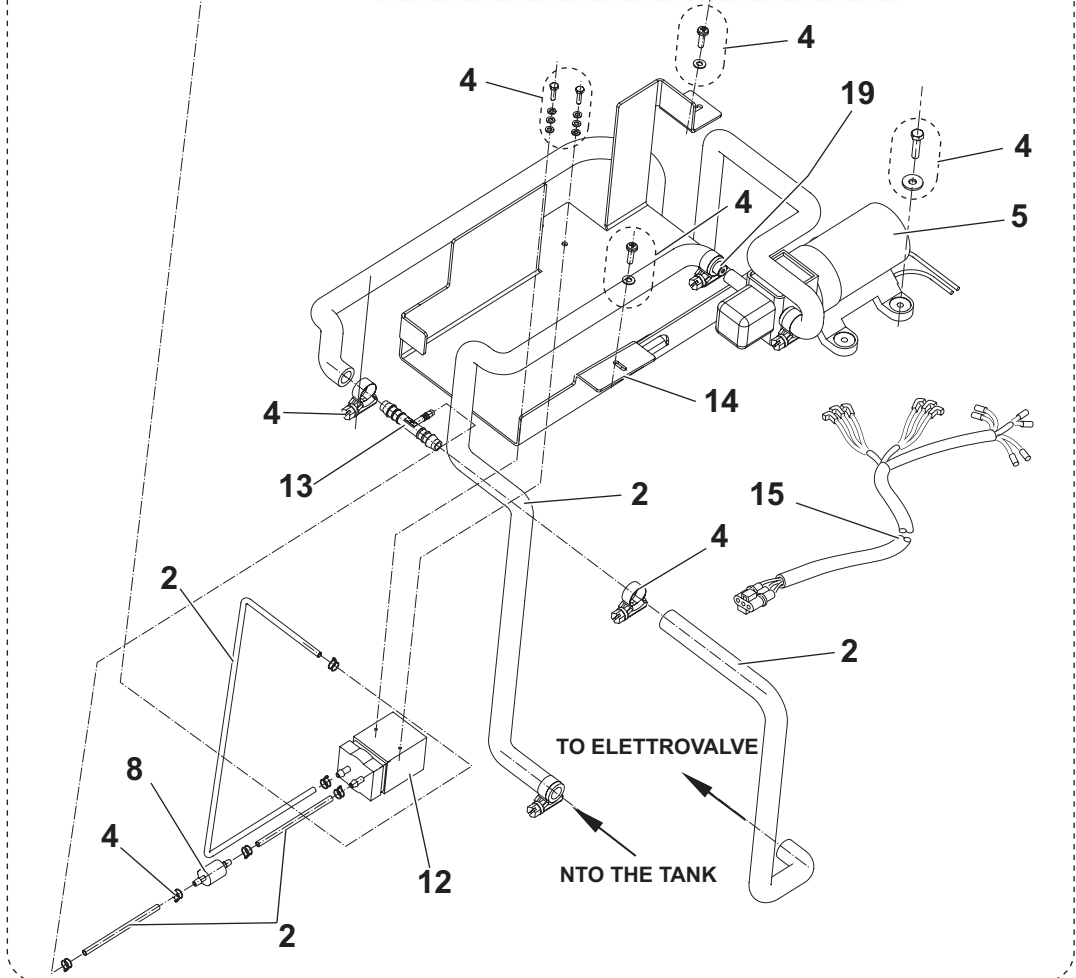
1



6



16

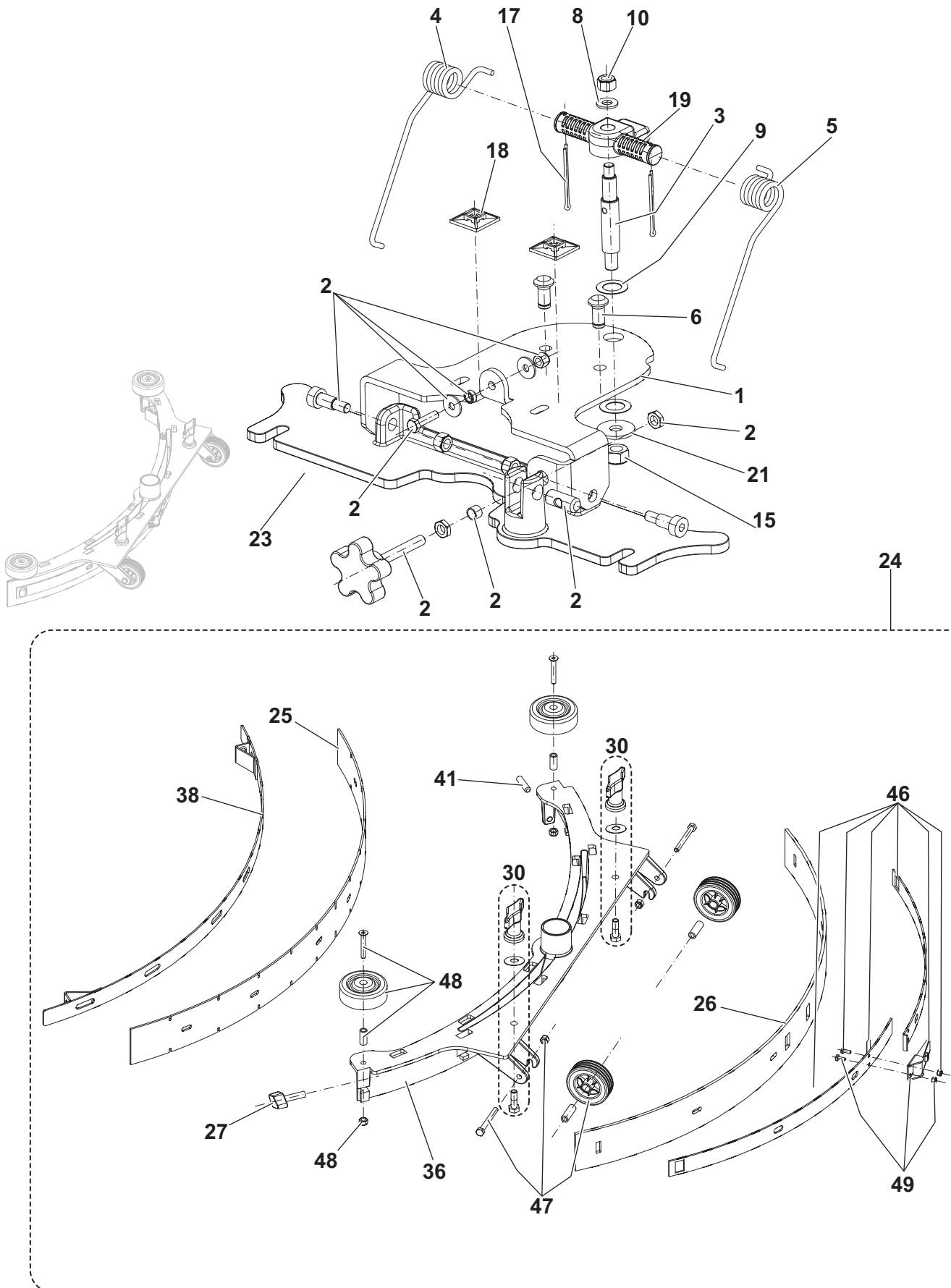


TO ELETTROVALVE

NTO THE TANK

2007-01	ECOFLEX™ SYSTEM		
2010-11	Adfinity™ X20R		19

Item No.	Ref. No.	Qty	Description
1	909 6743 000	1	KIT, ECOFLEX™ SYSTEM
2	909 6806 000	1	KIT, HOSE CHEMICAL MIX
3	909 6902 000	1	DECAL REWRITABLE
4	9098264000	1	KIT, HARDWARE 9098264000
5	56315108	1	PUMP (M4)
6	909 6903 000	1	KIT, TANK CHEMICAL
7	56315517	1	CAP
8	56315522	1	VALVE NON RETURN
9	56315523	1	CAP
10	56315527	1	DRY BREAK
11	909 6592 000	1	CHEMICAL REGULATION ADHESIVE
12	909 6183 000	1	PUMP (M5)
13	909 6536 000	1	FITTING
14	909 6639 000	1	BRAKET CHEMICAL MIXING
15	909 6187 000	1	HARNESS PUMP
16*	9098025000	1	KIT, ADAPTER DETERGENT P.I. 13.2.2009
17	9097023000	1	ADAPTOR CHEMICAL TANK
18	9097022000	1	SENSOR CHEMICAL MIX LEVEL
19	56390041	1	ORIFICE



2007-01

SQUEEGEE SYSTEM

2009-06

Adfinity™ 17ST / 20ST / X20R

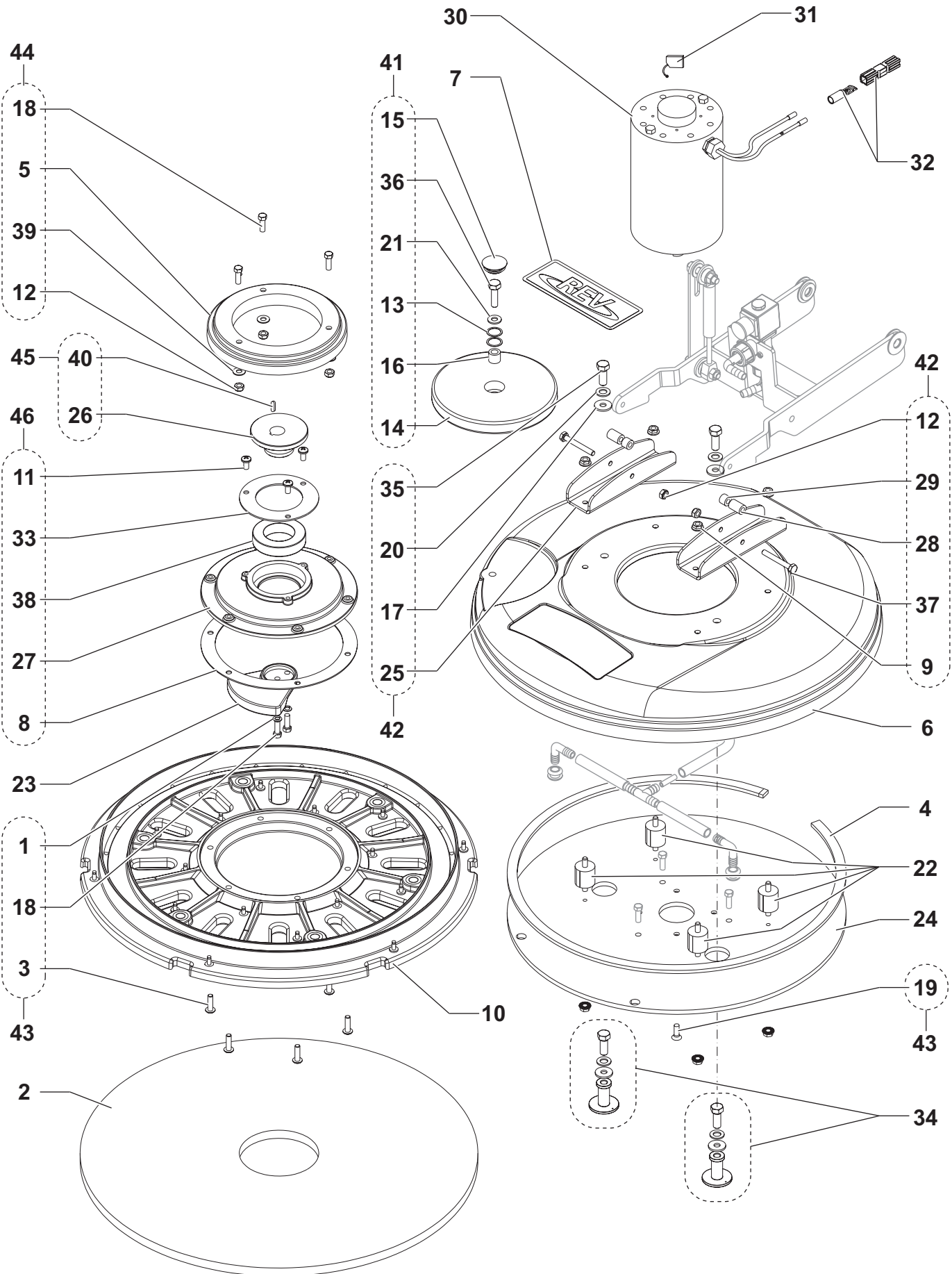
21

Item No.	Ref. No.	Qty	Description
1	909 6494 000	1	SQUEEGEE BRACKET
2	909 6885 000	1	KIT, HARDWARE SQUEEGEE FIXING
3	909 6497 000	1	PIN
4	909 6537 000	1	RIGHT SPRING
5	909 6538 000	1	LEFT SPRING
6	909 6543 000	2	PIN
8	33005915	1	WASHER FLAT 8X17
9	L08238300	2	WASHER
10	33005607	3	NUT SELFLOCKING M8
15	33005608	1	NUT
17	33005758	2	SPLIT PIN
18	909 6635 000	2	SELF-ADHESIVE TIE MOUNT
19	909 6052 000	1	SPRING SUPPORT
21	L08604251	1	WASHER FLAT 10X30
23	909 6045 000	1	SQUEEGEE SUPPORT
24	909 6851 000	1	KIT, SQUEEGEE CPL ALU 30"
25	909 6483 000	1	BLADE SQUEEGEE FRONT
26	909 6484 000	1	BLADE SQUEEGEE REAR
27	909 6551 000	1	WING NUT M8X30 SS
30	9097637000	1	KIT, SQUEEGEE FIXING
36	909 6044 000	1	SQUEEGEE
38	909 6055 000	1	STRAP, SQUEEGEE FRONT
41	909 6600 000	1	DOWEL M8X30 SS
46	909 6882 000	1	KIT, FIXING SQUEEGEE
47	909 6883 000	2	KIT, SQUEEGEE WHEEL
48	909 6884 000	2	KIT, SQUEEGEE BUMPER ROLLER
49	909 6394 000	1	KIT, LATCH FOR SQUEEGEE
[50]	909 6860 000	1	BLADES SQUEEGEE 740MM/29" (25-26)
[51]	9097548000	1	KIT, WASHERS NYLON SQUEEGEE SUPPORT - TSB IT 2007-031

2007-01	BRUSH SYSTEMS		
2011-11	Adfinity™ 17ST / 20ST		23

Item No.	Ref. No.	Qty	Description
1	909 6495 000	3	SHOULDER BOLT M10X16
2#	9099419000	1	KIT, HARDWARE BRUSH SYSTEM
3	909 6485 000	1	PLATE, DECK BRUSH HOLDER
4	9097184000	1	VIBRATION DAMPING M8
5	909 6887 000	1	KIT, BUMPER ROLLER
6	9097093000	1	KIT, HOLDERPOLYG.W/FLAGE
7A	909 6043 000	1	BRUSH DECK 450MM/17"
7B	909 6042 000	1	BRUSH DECK 530MM/20"
8	9098345000	1	KIT, DECALS
9	L08601624	1	PIPE HOLDER
10A	9098308000	1	REDUCTION GEARMOTOR CPL.
11	909 5380 000	1	CARBON BRUSH (4 PCS) FOR 909 6546 000 (LEROY SOMER)
11A	9098376000	1	CARBON BRUSH (4 PCS) FOR 9098308000 (AMER)
12	L08812480	1	HUB.BRUSH
13*	9097599000	1	PROTECTION MOTOR KIT TSB IT 2008-014
	9097600000	1	INSTRUCTIONS INSTALLATION PROT.MOT.KIT

A: STARTING FROM SERIAL NUMBER 111332741



2007-01

BRUSH SYSTEMS

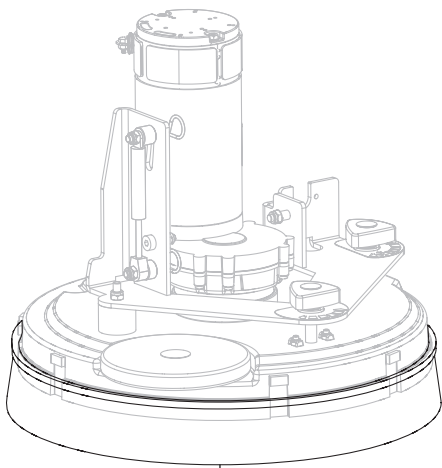
2010-11

Adfinity™ X20R

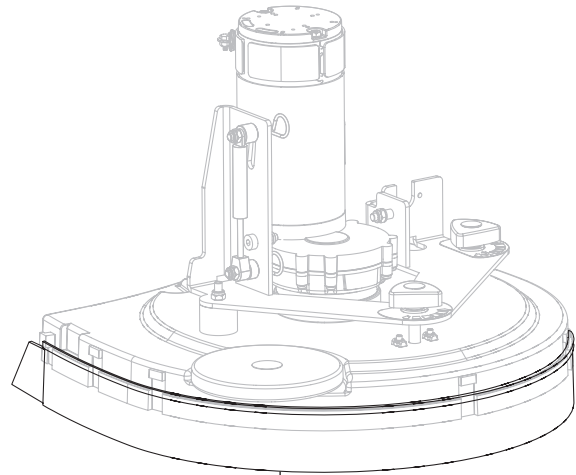
25

Item No.	Ref. No.	Qty	Description
1		2	HELICAL SPRING LOCK WASHER WASHER LOCK 1/4
2	976068	1	PAD 20-IN RED 5100 5-BX
3		6	SCR. PAN PHIL SS 1/4-20 X .88
4	56390076	1	GASKET
5		1	SHIELD SPLASH
6	56390012	1	HOUSING BRUSH
7	56390037	1	DECAL DECK
8		1	GASKET DRIVER
9		8	NUT, SERRATED FLANGE
10	56390044	1	PAD DRIVER ASSY
11		3	SCREW, 1/4-20 X 1/2" P.H.
12		5	NUT, HEX NYL LOC-THIN 1/4-20
13		2	WSH-WAVE 0.660"X0.860"X0.10"X070"
14		1	ROLLER BUMPER
15		1	CAP BLACK
16		1	SPACER 9X15X13
17		2	WASHER, FLAT 5/16
18		5	SCREW, 1/4-20 X 3/4 HEX HEAD
19		4	SCREW, 1/4-20 X 3/4 F.H.
20		2	WASHER, 3/8 LOCK
21		1	WASHER - FENDER 8.4X24.2MM
22	56380235	1	KIT, RUBBER MOUNTING
23	56390002	1	WEIGHT-COUNTER
24	56390003	1	PLATE MOTOR
25		2	BRACKET LIFT
26		1	ECCENTRIC
27		1	DRIVER MOTOR
28		2	SPACER, NYLON
29		2	SPACER, NYLON
30	56390072	1	MOTOR, 24VDC (M1)
31	11055A	1	CARBON BRUSH SET
32	41601T	2	CONNECTOR
33		1	RETAINER, BEARING
34	9098979000	1	KIT, STABLIZER STUD
35		2	BOLT, 3/8-24 X 1.0 HEX
36		1	BOLT, M8-1.25 X 30 HH SS
37		2	SCREW, 1/4-20 X 2.00 HEX CAP
38		1	BEARING
39		3	WASHER, 1/4 FLAT S.S.
40		1	KEY 3/16 SQ X 3/4"
41	9098978000	1	KIT, ROLLER BUMPER (ITEM 13-14-15-16-21-36)
42	9098980000	1	KIT, LIFT BRACKET (ITEM 9-12-17-20-25-28-29-35-37)
43	9099001000	1	KIT, DECK HARDWARE (ITEM 1-3-18-19)
44	9098982000	1	KIT, SPLASH GUARD (ITEM 5-12-18-39)
45	9098984000	1	KIT, ECCENTRIC (ITEM 26-40)
46	9098983000	1	KIT, DRIVER (ITEM 8-11-27-33-38)

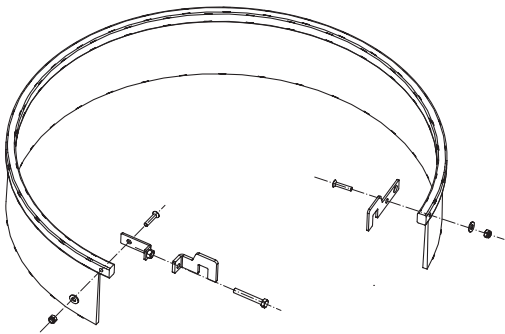
9096913000



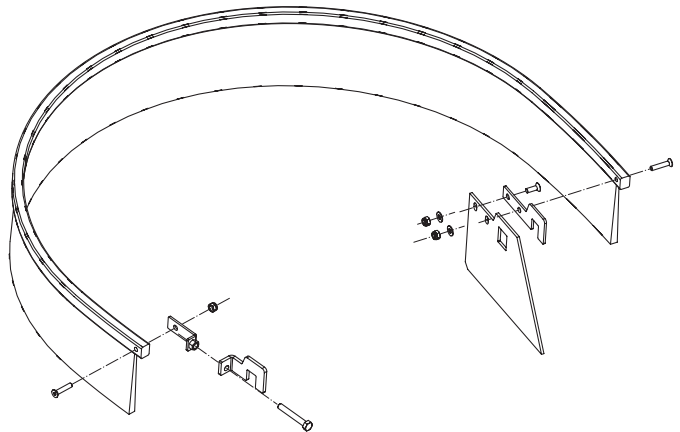
2



3



**SPLASH GUARD 17" KIT
Adfinity™ 17ST**



**SPLASH GUARD 20" KIT
Adfinity™ 20ST**

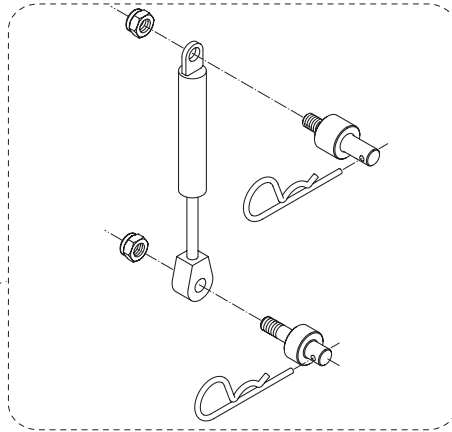
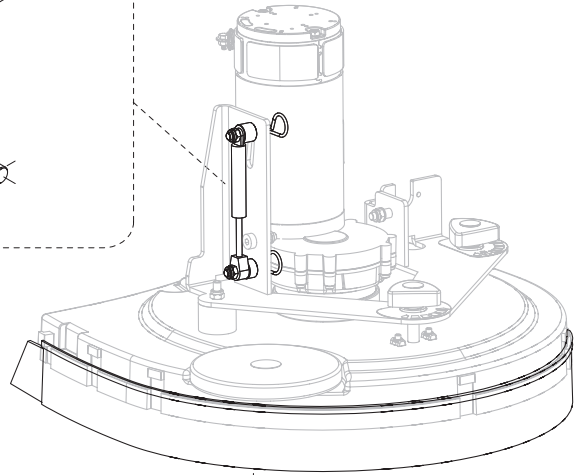
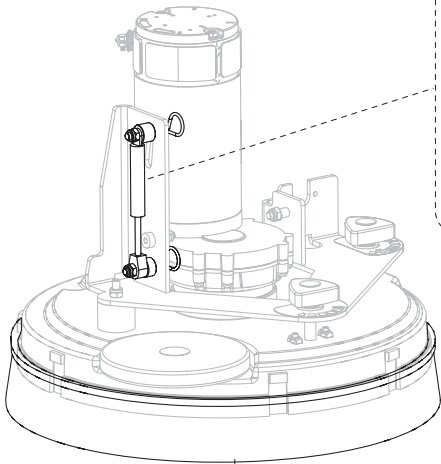
2007-01	SPLASH GUARDS			
2009-06	Adfinity™ 17ST / 20ST			27

Item No.	Ref. No.	Qty	Description
2	909 6737 000	1	KIT, SPLASH GUARD 17"
	909 6745 000	1	INSTALLATION INSTRUCTIONS F/ SPLASH GUARD
3	909 6736 000	1	KIT, SPLASH GUARD 20"
	909 6745 000	1	INSTALLATION INSTRUCTIONS F/ SPLASH GUARD

EXTRA PRESSURE KIT

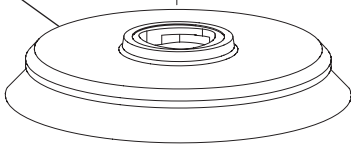
Adfinity™ 17ST

Adfinity™ 20ST

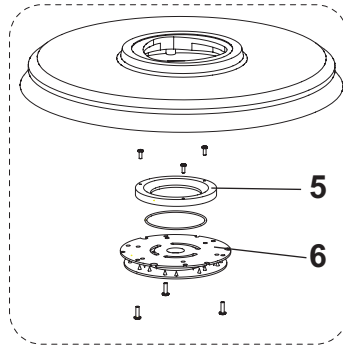


1

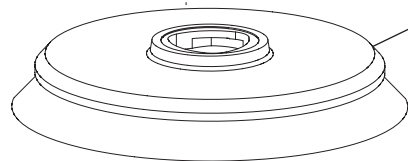
3



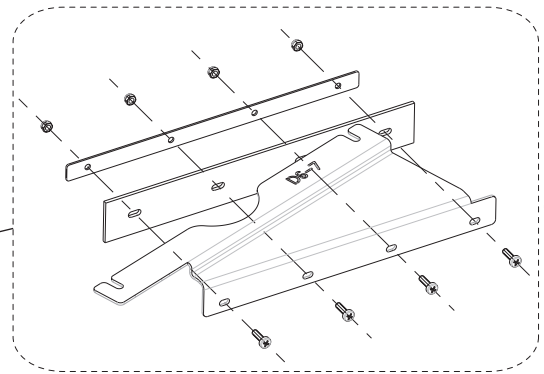
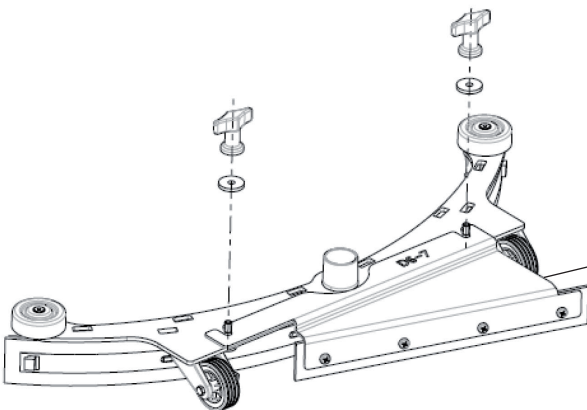
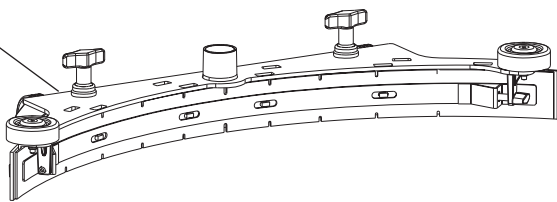
4 - 10



9

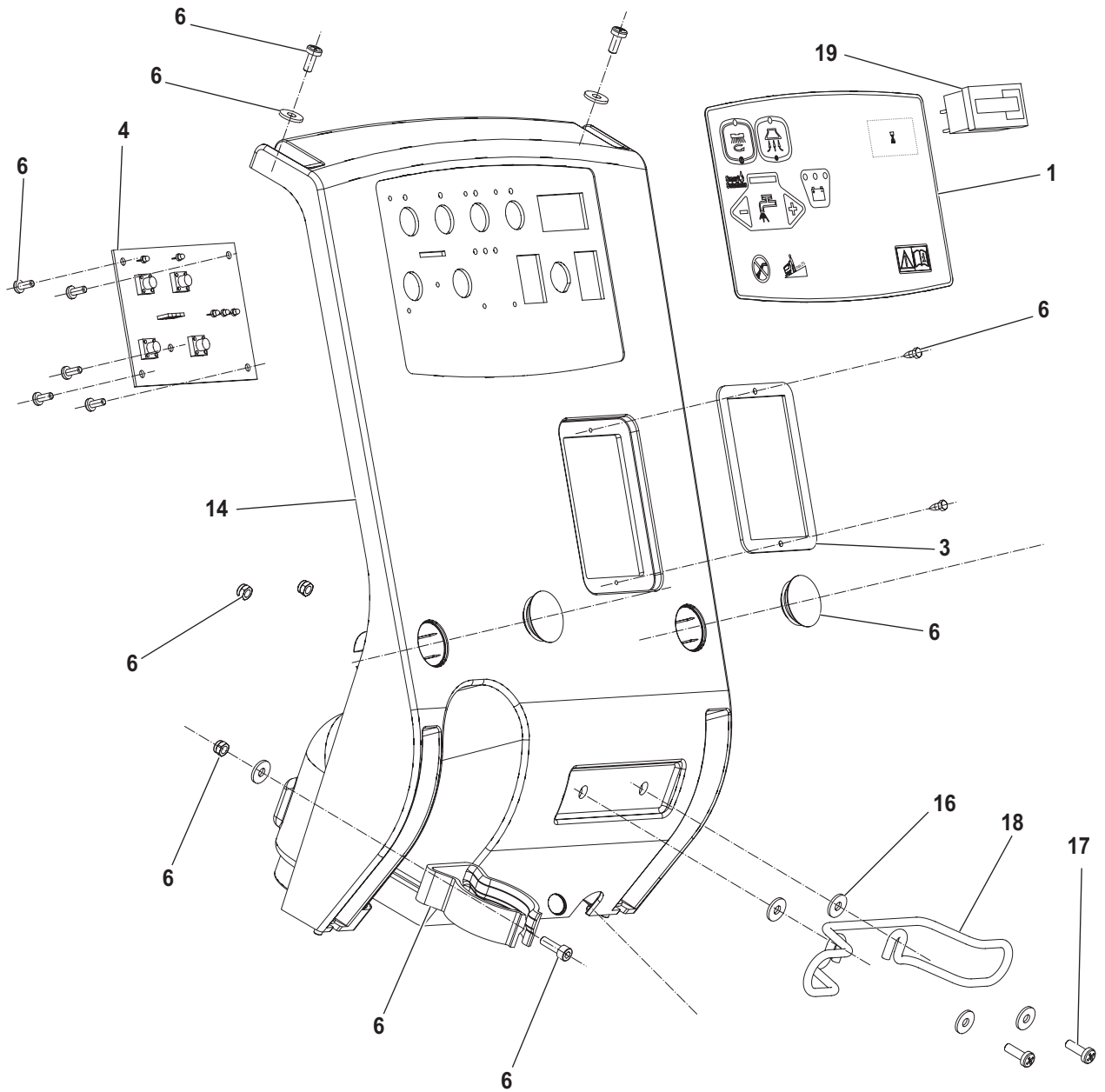


7



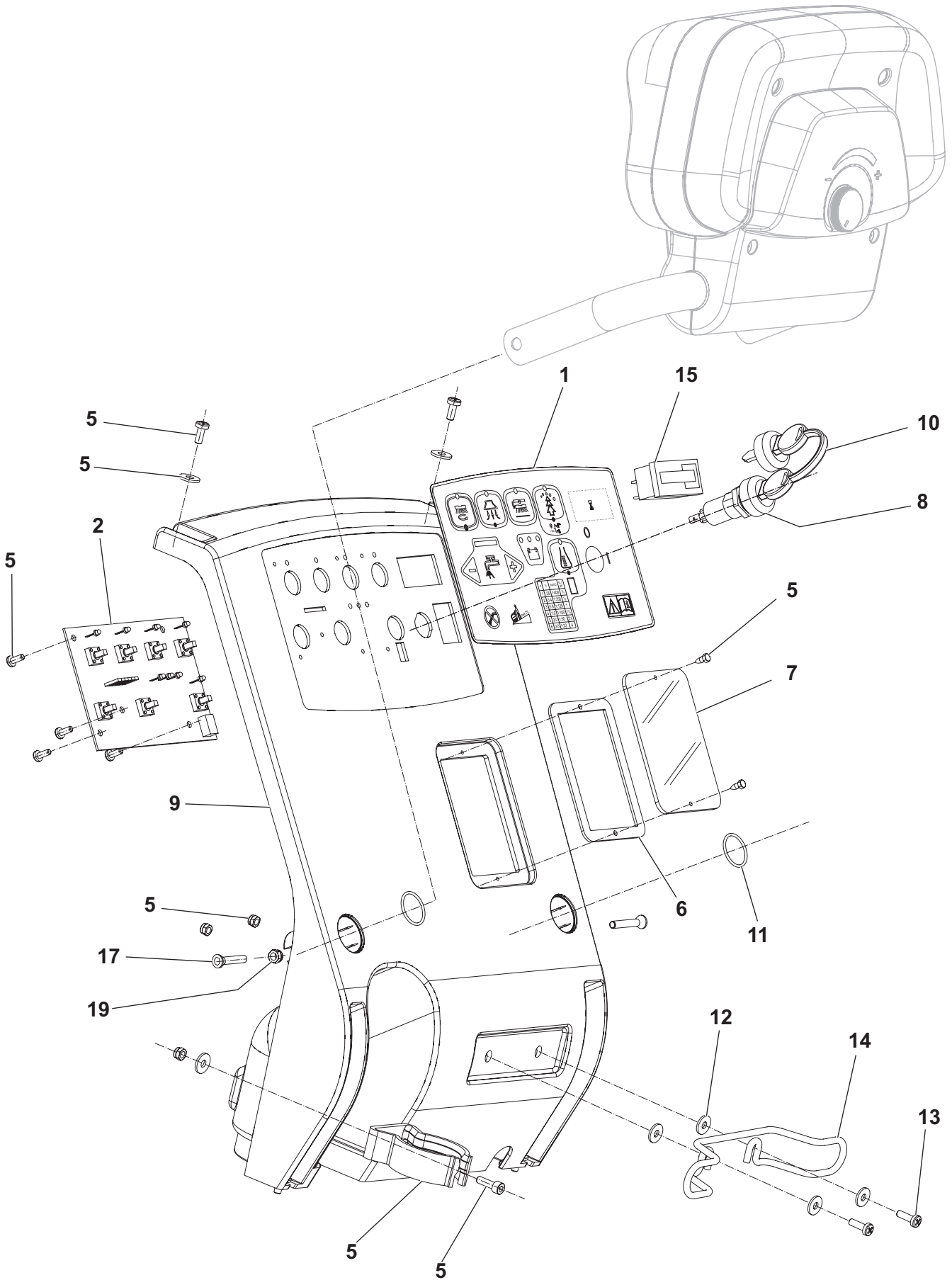
11

Item No.	Ref. No.	Qty	Description
			Adfinity™ 17ST / 20ST
1	909 6738 000	1	KIT, EXTRA PRESSURE
	909 6759 000	1	INSTALLATION INSTRUCTIONS F/ EXTRA PRESSURE
			Adfinity™ 17ST
3	L08837020	1	BRUSH PROLENE
3	L08837021	1	BRUSH PROLITE
3	L08837022	1	BRUSH UNION MIX
3	L08837023	1	BRUSH MIDLITE
3	L08837024	1	BRUSH MIDGRIT
4	L08837017	1	KIT, PAD HOLDER
			Adfinity™ 17ST / 20ST
5	L08603966	1	RING NYLON
6	L08837030	1	RETAINER PAD
			Adfinity™ 17ST / 20ST
7	L08603878	1	KIT, SQUEEGEE CPL 30"
7	909 6851 000	1	KIT, SQUEEGEE CPL ALU 30"
[8]	909 6483 000	1	BLADE NEOPRENE FRONT
[8]	909 6484 000	1	BLADE NEOPRENE REAR
[8]	909 6860 000	1	KIT, BLADES NEOPRENE 30"
[8]	909 6858 000	1	KIT, BLADES POLYURET. 30"
			Adfinity™ 20ST
9	L08837025	1	BRUSH PROLENE
9	L08837026	1	BRUSH PROLITE
9	L08837027	1	BRUSH UNION MIX
9	L08837028	1	BRUSH MIDLITE GRIT
9	L08837029	1	BRUSH MID GRIT 240
9	L08837065	1	BRUSH MAGNA GRIT 46
9	L08837066	1	BRUSH DYNA GRIT 80
9	L08837067	1	BRUSH AGLITE GRIT 500
10	L08837018	1	KIT, PAD HOLDER
11	9098343000	1	KIT, THIRD BLADE
	9098337000	1	INSTALLATION INSTRUCTIONS F/ THIRD BLADE



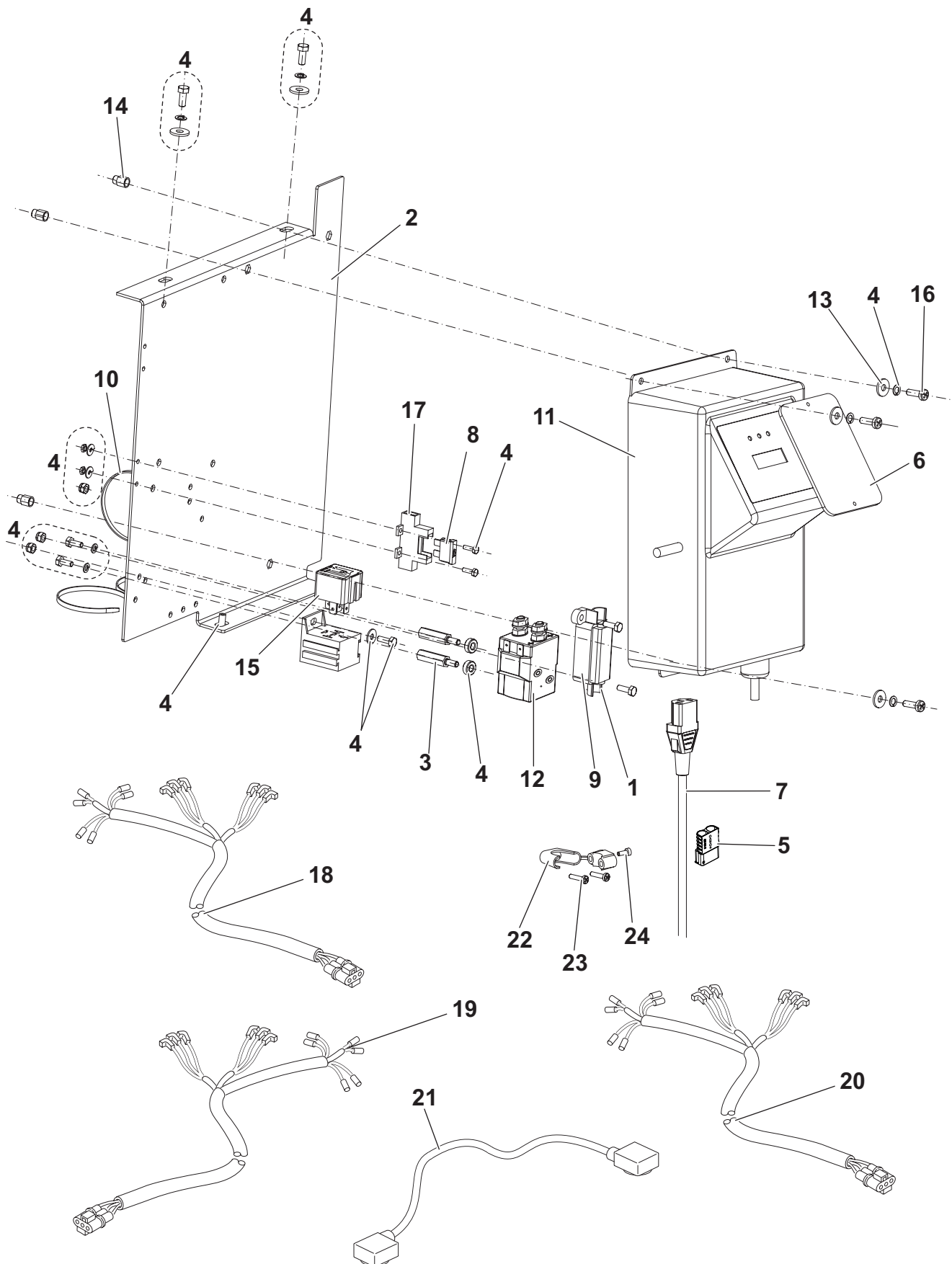
2007-01	CONTROL PANEL SYSTEM			
2010-03	Adfinity™ 17ST / 20ST			31

Item No.	Ref. No.	Qty	Description
1	9098637000	1	DECAL CONTROL PANEL
3	909 6545 000	1	GASKET
4	9097006000	1	ELECTRONIC CARD STARTING (EB1) FROM SERIAL NO. 072115094
6	9098302000	1	KIT, HARDWARE CONTROL PANEL
14	9097649000	1	KIT, COVER CONTROL PANEL
16	145 1261 000	4	WASHER
17	146 2090 000	2	SCREW CYL HD M5X16
18	909 5149 000	1	SUPPORT BATTERY CHARGER CABLE
19*	9096951000	1	COUNTER HOUR 24V (HN)
	9096952000	1	INSTALLATION INSTRUCTIONS F/ COUNTER HOUR
[21]	145 8368 000	1	FUSE 3A (F4)



2007-01	CONTROL PANEL SYSTEM		
2010-11	Adfinity™ X20R		33

Item No.	Ref. No.	Qty	Description
1	9098634000	1	DECAL CONTROL PANEL ADFINITY™ X20R
2	9098902000	1	CARD ELECTRONIC CONTROL PANEL (EB1)
5	9098302000	1	KIT, HARDWARE CONTROL PANEL
6	909 6545 000	1	GASKET
7	909 5313 000	1	INSPECTION PLATE
8	146 2888 000	1	SWITCH KEY WITH CAP (K1)
9	9098632000	1	COVER CONTROL PANEL
10	146 2887 000	1	KEY
11	909 6675 000	2	O-RING 132
12	145 1261 000	4	WASHER
13	146 2090 000	2	SCREW CYL HD M5X16
14	909 5149 000	1	SUPPORT CABLE
15*	9096951000	1	KIT, COUNTER HOUR 24V (HN)
	9096952000	1	INSTALLATION INSTRUCTIONS F/ COUNTER HOUR
17	33004576	2	SCREW M6X16 UNI5933
19	33005604	2	NUT SELF L. M6 UNI7474
[20]	145 8368 000	2	FUSE 3A (F4 - F6) (PCB FUNCTIONS - PUMP)
[21]	909 6678 000	1	FUSE 20A (F5) (CLICK ON/OFF - BRUSH)



2007-01

ELECTRICAL COMPONENTS

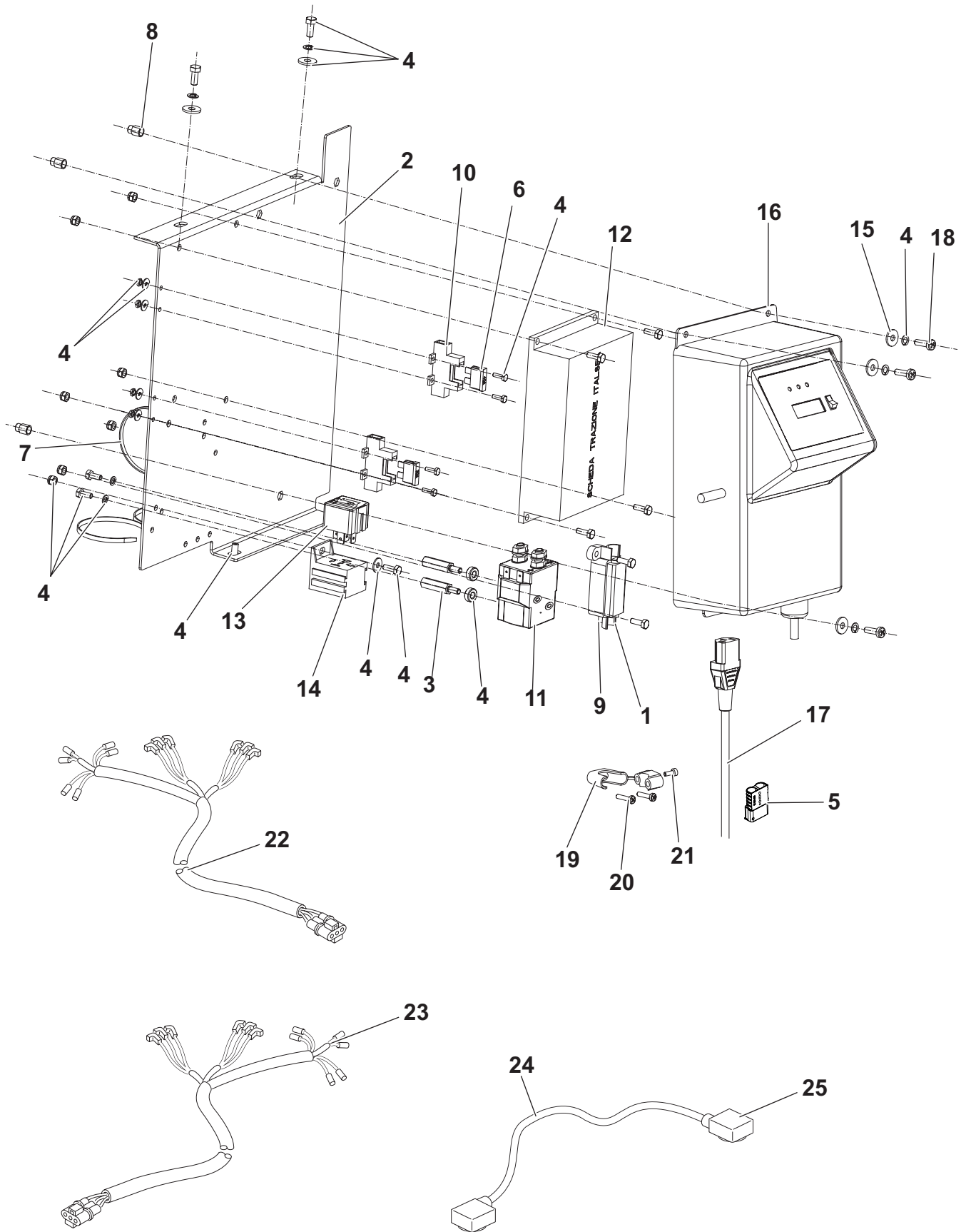
2009-06

Adfinity™ 17ST / 20ST

35

Item No.	Ref. No.	Qty	Description
1	145 8046 000	1	FUSE HOLDER
2	909 6498 000	1	SUPPORT
3	909 6676 000	2	SPACER M4 L=25
4	9098303000	1	KIT, HARDWARE ELECTRIC SYSTEM
5	9098762000	1	CONNECTOR 120A (C2)
6	909 5313 000	1	INSPECTION PLATE
7	9096914000	1	CABLE EXTENTION US
8	145 8513 000	1	FUSE 30A (F2)
9	145 3824 000	1	STRIP FUSE 40A (F1)
10	145 1449 000	3	CLAMP
11	9098297000	1	BATTERY CHARGER 24V 13A (CH)
12	9097208000	1	ELECTROMAGNETIC SWITCH 24V
13	33005912	3	WASHER M5 UNI6592
14	145 6132 000	3	INSERT M5
15	909 6622 000	1	RELAY 24V 40A (ES2)
16	146 1711 000	3	SCREW M5X20 UNI7687
17	146 0660 000	2	BLADE FUSE HOLDER
18	9096963000	1	HARNESS ELECTRIC BOX
19	9096971000	1	MACHINE HARNESS
20	909 6840 000	1	HARNESS VACUUM CLEANER
21	9098871000	1	BATTERY HARNESS
22	L08338600	1	CABLE HOLDER
23	L08603668	2	SCREW THD FORM
24	146 1788 000	1	SCREW M4X12

9096913000



2007-01

ELECTRICAL COMPONENTS

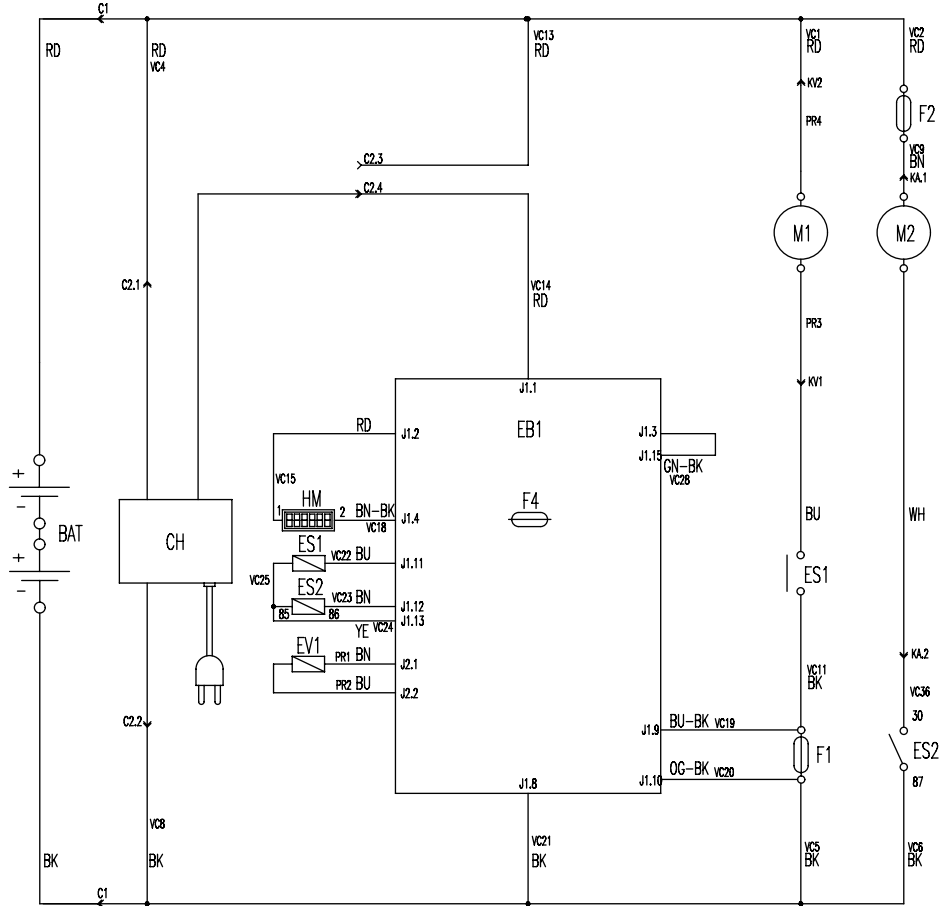
2010-11

Adfinity™ X20R

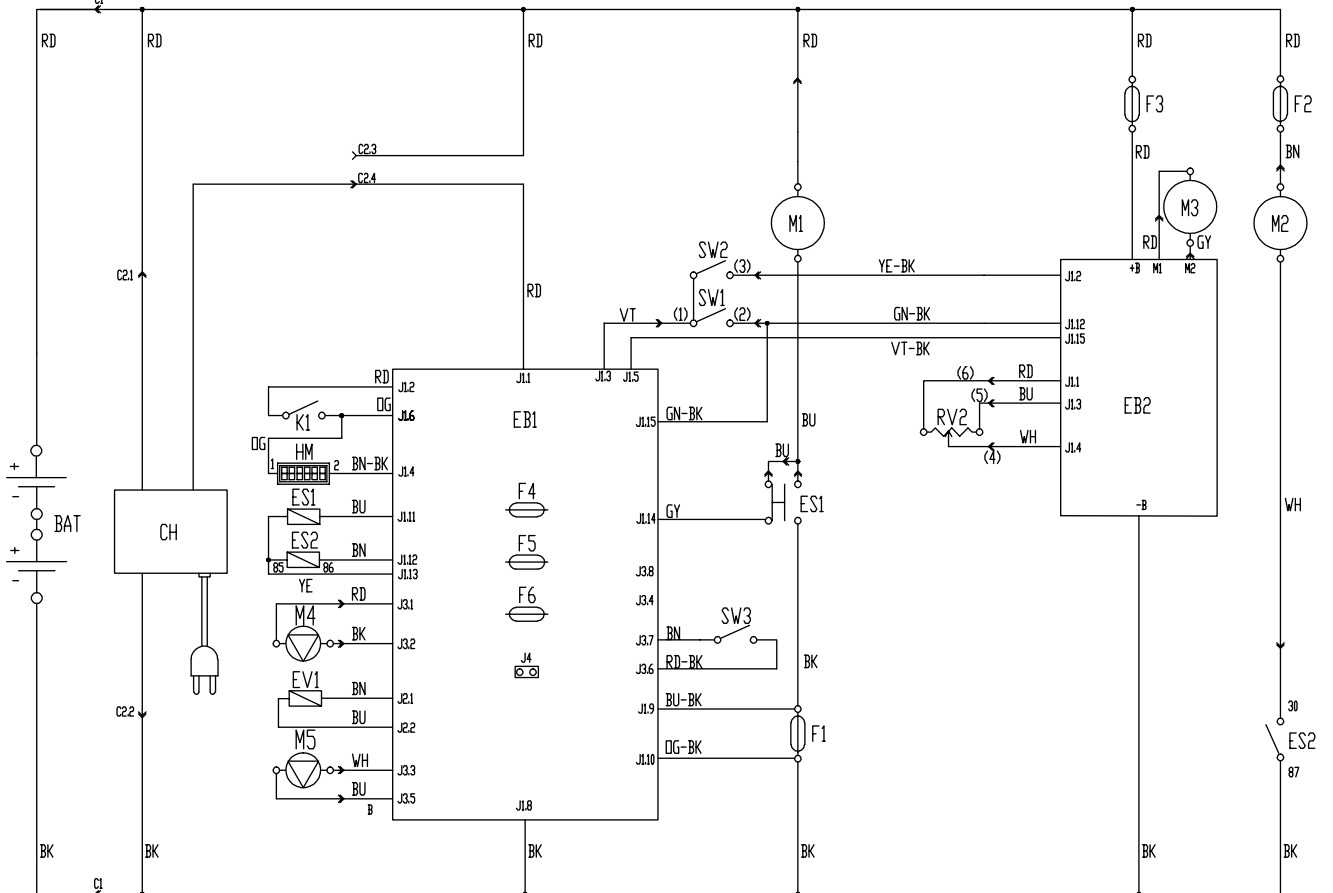
37

Item No.	Ref. No.	Qty	Description
1	145 8046 000	1	HOLDER FUSE
2	909 6498 000	1	SUPPORT
3	909 6676 000	2	SPACER M4 L=25
4	9098303000	1	KIT, HARDWARE ELECTRIC SYSTEM
5	9098762000	1	CONNECTOR 120A (C2)
6	145 8513 000	2	FUSE BLADE 30A (F2 - F3) (VACUUM - DRIVE MOTOR)
7	145 1449 000	3	CLAMP
8	145 6132 000	3	INSERT M5
9	145 3824 000	1	FUSE STRIP 40A (F1) (BRUSH MOTOR)
10	146 0660 000	2	BLADE FUSE HOLDER
11	9097209000	1	ELECTROMAGNETIC SWITCH 24V (ES1) (BRUSH MOTOR CONTACTOR)
12	9096908000	1	CARD ELECTRONIC TRACTION (EB2)
13	909 6622 000	1	RELAY 24V 40A (ES2) (VACUUM MOTOR CONTACTOR)
14	9096964000	1	HARNESS ELECTRIC BOX
15	33005912	3	WASHER M5 UNI6592
16	9098297000	1	BATTERY CHARGER 24V 13A (CH)
17	9096914000	1	CABLE EXTENTION US
18	146 1711 000	3	SCREW M5X20 UNI7687
19	L08338600	1	CABLE HOLDER
20	L08603668	2	SCREW THD FORM
21	146 1788 000	1	SCREW M4X12
22	9098903000	1	MACHINE HARNESS
23	909 6613 000	1	HARNESS VACUUM CLEANER
24	9098871000	1	BATTERY HARNESS
25	L08812093	4	COVER, BATTERY TERMINAL

Adfinity™ 17ST - 20ST



Adfinity™ X20R



Key	Ref. No.	Description	Models
BAT	-	24V BATTERIES	17ST / 20ST / X20R
C1	-	BATTERY CONNECTOR	17ST / 20ST / X20R
C2	9098762000	CHARGER CONNECTOR	17ST / 20ST / X20R
CH	9098297000	BATTERY CHARGER	17ST / 20ST / X20R
CS	-	BRUSH DECK CONNECTOR	17ST / 20ST
EB1	9097006000	CONTROL PANEL BOARD	17ST / 20ST
EB1	9098902000	CONTROL PANEL BOARD	X20R
EB2	9096908000	DRIVE ELECTRONIC BOARD	X20R
ES1	9097209000	BRUSH MOTOR ELECTROM. SWITCH	17ST / 20ST / X20R
ES2	909 6622 000	VACUUM MOTOR RELAY	17ST / 20ST / X20R
EV1	909 6555 000	ELECTROVALVE	17ST / 20ST
EV1	9098985000	ELECTROVALVE	X20R
F1	145 3824 000	BRUSH DECK FUSE (40A)	17ST / 20ST / X20R
F2	145 8513 000	VACUUM MOTOR FUSE (30A)	17ST / 20ST / X20R
F3	145 8513 000	DRIVE SYSTEM FUSE (30A)	X20R
F4	145 8368 000	LOW POWER CIRCUIT FUSE (3A)	17ST / 20ST / X20R
F5	909 6678 000	BRUSH RELEASE FUSE (20A)	X20R
F6	145 8368 000	PUMP FUSE (3A)	X20R
HM	9096951000	HOURMETER (OPT.)	17ST / 20ST / X20R
K1	146 2888 000	KEY SWITCH	X20R
M1	9098308000	BRUSH MOTOR	17ST / 20ST
M1	56390072	BRUSH MOTOR	X20R
M2	9099401000	VACUUM MOTOR	17ST / 20ST / X20R
M3	909 6548 000	DRIVE MOTOR	X20R
M4	56315108	WATER PUMP	X20R
M5	909 6183 000	DETERGENT PUMP	X20R
RV2	909 6544 000	MAX SPEED POTENTIOMETER	X20R
SW1	909 6677 000	BRUSH / DRIVE MICROSWITCH	X20R
SW2	909 6677 000	REVERS GEAR MICROSWITCH	X20R
SW3	9098988000	PROXIMITY SENSOR	X20R

colour

BK	-	BLACK
BU	-	LIGHT BLUE
BN	-	BROWN
GN	-	GREEN
GY	-	GREY
OG	-	ORANGE
PK	-	PINK
RD	-	RED
VT	-	VIOLET
WH	-	WHITE
YE	-	YELLOW

RECOMMENDED SPARE PARTS

2007-01

40

Adfinity™ 17ST / 20ST / X20R

2011-11

Ref. No.	DESCRIPTION	QTY	MACHINES
SOLUTION TANK			
909 6650 000	SPONGE INLET FRESH WATER	1	17ST / 20ST / X20R
909 6681 000	SOLUTION HOSE	1	17ST / 20ST / X20R
L08812457	CAP	2	17ST / 20ST / X20R
909 6662 000	SQUEEGEE LIFT CABLE	1	17ST / 20ST / X20R
909 6874 000	KIT, TANK CABLE	1	17ST / 20ST / X20R
9098265000	KIT, HARDWARE SOLUTION TANK	1	17ST / 20ST / X20R
RECOVERY TANK			
909 6230 000	VACUUM HOSE	1	17ST / 20ST / X20R
# 9099165000	DRAIN HOSE	1	17ST / 20ST / X20R
L08812259	CAGE FLOAT COMPLETE	2	17ST / 20ST / X20R
L08812373	BALL FLOAT	1	17ST / 20ST / X20R
9097681000	KIT, CAGE FLOAT HOLDER	1	17ST / 20ST / X20R
145 0543 000	HOSE CLAMP	2	17ST / 20ST / X20R
909 6899 000	CAP	1	17ST / 20ST / X20R
909 6877 000	KIT, HARDWARE VACUUM MOTOR	1	17ST / 20ST / X20R
# 9099401000	KIT, MOTOR VACUUM (M2)	1	17ST / 20ST / X20R
# 909 5371 000	KIT, CARBON BRUSH	1	17ST / 20ST / X20R
909 6491 000	PANEL ACOUSTIC INSULATION	1	17ST / 20ST / X20R
# 909 6490 000	GASKET VACUUM MOTOR	1	17ST / 20ST / X20R
# 9096918000	GASKET VACUUM MOTOR	1	17ST / 20ST / X20R
CHASSIS SYSTEM			
# 9099028000	KIT, WHEEL CASTOR	1	17ST / 20ST / X20R
909 6878 000	KIT, HARDWARE CHASSIS SYSTEM	1	17ST / 20ST / X20R
9099014000	WHEEL CASTOR CHROMATE	2	X20R
9098987000	KIT, MOUNTING HARDWARE	2	X20R
WHEELS SYSTEM			
909 6507 000	WHEEL FRONT D.200	2	17ST / 20ST
909 6548 000	MOTOR DRIVE 24V 200W (M3)	1	X20R
145 5124 000	CARBON BRUSHES FOR DRIVE MOTOR	2	X20R
9097032000	WHEEL FRONT DRIVE D.200 65SH	2	X20R
HANDLE BAR			
9098300000	KIT, HARDWARE HANDLE ASSEMBLY	1	X20R
L08812282	CAM HANDLE MICROSWITCH	1	X20R
909 6544 000	SPEED POTENTIOMETER HARNESS (RV2)	1	X20R
9096923000	CAM HANDLE MICROSWITCH	1	X20R
909 6677 000	MICROSWITCH (SW2 - SW1)	2	X20R
SOLUTION SYSTEM			
9096994000	VALVE ELBOW	1	17ST / 20ST / X20R
9097166000	KIT, FILTER	1	17ST / 20ST / X20R
9096995000	KIT, VALVE ELBOW WITH PIPES	1	17ST / 20ST / X20R
909 6555 000	ELECTROVALVE (EV1)	1	17ST / 20ST / X20R
9098985000	KIT, SOLENOID VALVE (EV1)	1	X20R
909 6636 000	BARB L=105	1	17ST / 20ST / X20R
9098777000	KIT, HOLDER RUBBER	1	17ST / 20ST / X20R
ECOFLEX™ SYSTEM			
909 6743 000	KIT, ECOFLEX™ SYSTEM	1	X20R
909 6806 000	KIT, HOSE	1	X20R
56315108	FLOWJET WATER PUMP (M4)	1	X20R
909 6903 000	KIT, CHEMICAL TANK	1	X20R
56315517	REFILLING CAP	1	X20R
56315522	CHECK VALVE	1	X20R
56315523	CAP	1	X20R
56315527	FLOATING SENSOR	1	X20R
909 6183 000	CHEMICAL PUMP (M5)	1	X20R
909 6536 000	TEE FITTING	1	X20R

9096913000

Ref. No.	DESCRIPTION	QTY	MACHINES
SQUEEGEE SYSTEM			
909 6055 000	FRONT STRAP	1	17ST / 20ST / X20R
909 6044 000	WELDMENT SQUEEGEE TOOL	1	17ST / 20ST / X20R
9097637000	KIT, SQUEEGEE FIXING	1	17ST / 20ST / X20R
909 6551 000	KNOB 8X30 SS	1	17ST / 20ST / X20R
909 6484 000	BLADE NEOPRENE REAR	1	17ST / 20ST / X20R
909 6483 000	BLADE NEOPRENE FRONT	1	17ST / 20ST / X20R
909 6851 000	KIT, SQUEEGEE CPL ALU 30"	1	17ST / 20ST / X20R
909 6882 000	KIT, FIXING SQUEEGEE	1	17ST / 20ST / X20R
909 6883 000	KIT, SQUEEGEE WHEEL	1	17ST / 20ST / X20R
909 6884 000	KIT, SQUEEGEE BUMPER ROLLER	1	17ST / 20ST / X20R
909 6394 000	KIT, LATCH FOR SQUEEGEE	1	17ST / 20ST / X20R
909 6885 000	KIT, HARDWARE SQUEEGEE SUPPORT	1	17ST / 20ST / X20R
DISC SCRUB DECK			
909 6043 000	BRUSH DECK 450MM/17"	1	17ST
909 6042 000	BRUSH DECK 530MM/20"	1	20ST
# 9098308000	BRUSH MOTOR 450W 24V 135 RPM	1	17ST / 20ST
# 9098376000	KIT, CARBON BRUSH	1	17ST / 20ST
9097184000	SHOCK ABSORBER	1	17ST / 20ST
9097093000	KIT, HOLDERPOLIG. W/FLAGE	1	17ST / 20ST
909 6887 000	KIT, BUMPER ROLLER	1	17ST / 20ST
# 9099419000	KIT, HARDWARE BRUSH SYSTEM	1	17ST / 20ST
56390012	HOUSING BRUSH	1	X20R
56390072	MOTOR 24VDC (M1)	1	X20R
11055A	CARBON BRUSH SET	1	X20R
41601T	CONNECTOR	1	X20R
56390044	PAD DRIVER ASSY	1	X20R
56380235	KIT, RUBBER MOUNTING	1	X20R
# 9098983000	KIT, DRIVER	1	X20R
CONTROL PANEL SYSTEM			
9098302000	KIT, HARDWARE CONTROL PANEL	1	17ST / 20ST
9097006000	PCB FUNCTIONS 24V (EB1)	1	17ST / 20ST
9098637000	CONTROL PANEL DECAL	1	17ST / 20ST
145 8368 000	FUSE FUNCTION PCB 3A (F4)	1	17ST / 20ST
9098634000	DECAL CONTROL PANEL	1	X20R
146 2888 000	ON/OFF KEY SWITCH WATERPROOF (K1)	1	X20R
145 8368 000	FUSE 3A (F4 - F6)	1	X20R
909 6678 000	FUSE 20A (F5)	1	X20R
9098902000	ELECTRONIC CARD (EB1)	1	X20R
ELECTRICAL COMPONENTS			
145 3824 000	FUSE STRIP 40A (F1)	1	17ST / 20ST / X20R
145 8513 000	FUSE BLADE 30A UL (F2)	1	17ST / 20ST / X20R
9098297000	CHARGER BATTERY 24V 13A (CH)	1	17ST / 20ST / X20R
9096908000	CARD ELECTRONIC (EB2)	1	X20R
9097209000	ELECTROMAGNETIC SWITCH (ES1)	1	X20R
909 6622 000	RELAY 24V 40A (ES2)	1	X20R

OPTIONALS

2007-01

42

Adfinity™ 17ST / 20ST / X20R

2011-11

Ref. No.	DESCRIPTION	QTY	MACHINES
ACCESSORIES			
9097290000	REMOTE FILLIN HOSE	1	17ST / 20ST / X20R
909 5065 000	FILTER ANTIFOAMING	1	17ST / 20ST / X20R
9097599000	KIT, PROTECTION MOTOR	1	17ST / 20ST / X20R
9098343000	KIT, THIRD BLADE	1	17ST / 20ST / X20R
9096916000	FILTER	1	17ST / 20ST / X20R
9096951000	HOUR COUNTER (HN)	1	17ST / 20ST / X20R
909 6734 000	KIT, ELASTIC BAND	1	17ST / 20ST / X20R
9097167000	WHEEL FRONT D.200 65SH	2	17ST / 20ST / X20R
L08837020	BRUSHES - PROLENE	1	17ST / 20ST
L08837021	BRUSHES - PROLITE	1	17ST / 20ST
L08837022	BRUSHES - UNION MIX	1	17ST / 20ST
L08837023	BRUSHES - MIDLITE	1	17ST / 20ST
L08837024	BRUSHES - MID GRIT	1	17ST / 20ST
L08837017	KIT, PAD HOLDER	1	17ST / 20ST
56325504	BRUSHES - PROLENE	1	17ST / 20ST
L08837026	BRUSHES - PROLITE	1	17ST / 20ST
L08837027	BRUSHES - UNION MIX	1	17ST / 20ST
L08837028	BRUSHES - MIDLITE GRIT	1	17ST / 20ST
L08837029	BRUSHES - MID GRIT 240	1	17ST / 20ST
L08837065	BRUSHES - MAGNA GRIT 46	1	17ST / 20ST
L08837066	BRUSHES - DYNA GRIT 80	1	17ST / 20ST
L08837067	BRUSHES - AGLITE GRIT 500	1	17ST / 20ST
56325502	KIT, PAD HOLDER	1	17ST / 20ST
L08603878	KIT, SQUEEGEE CPL 30"	1	17ST / 20ST / X20R
909 6860 000	KIT, SQUEEGEE BLADES NEOPRENE	1	17ST / 20ST / X20R
909 6858 000	KIT, SQUEEGEE BLADES POLYURETAN	1	17ST / 20ST / X20R
909 6738 000	KIT, EXTRAPRESSURE	1	17ST / 20ST
9098619000	WHEELS CASTOR D.100 PU SS	1	17ST / 20ST / X20R
# 9097599000	PROTECTION MOTOR KIT	1	17ST / 20ST
# 9098853000	ELBOW 90 SUCT.HOSE KIT RAL7001	1	17ST / 20ST / X20R



14600 21st Avenue North
Plymouth, MN 55447-3408
www.advance-us.com
Phone: 800-989-2235
Fax: 800-989-6566
©2011 Nilfisk-Advance, Inc.

A Nilfisk-Advance Brand