



Electronic Service Manuals

This electronic document is provided as a service to our customers. We do not create the contents of the information contained in this document. Should you have detailed questions pertaining to the information contained in this document, you may contact Michco, or the manufacturer which provided the original information in this electronic deliverable. Michco's only part in this electronic deliverable was the electronic assembly process. By providing this manual on line we are not guaranteeing parts availability.

You may contact Michco through the following methods:

Phone (517) 484-9312 or (800) 331-3339

2011 N. High St. -- Lansing, Michigan -- 48906

Fax: (517) 484-9836

Email: CustServe@Michco.com

Web site: www.Michco.Com

Parts Web site: www.FloorMachineParts.Com

Order Parts on Line at:

www.FloorMachineParts.Com

Directly to Parts & Service:

By Email: **Shop@Michco.com**

By Fax: (517) 702-2041

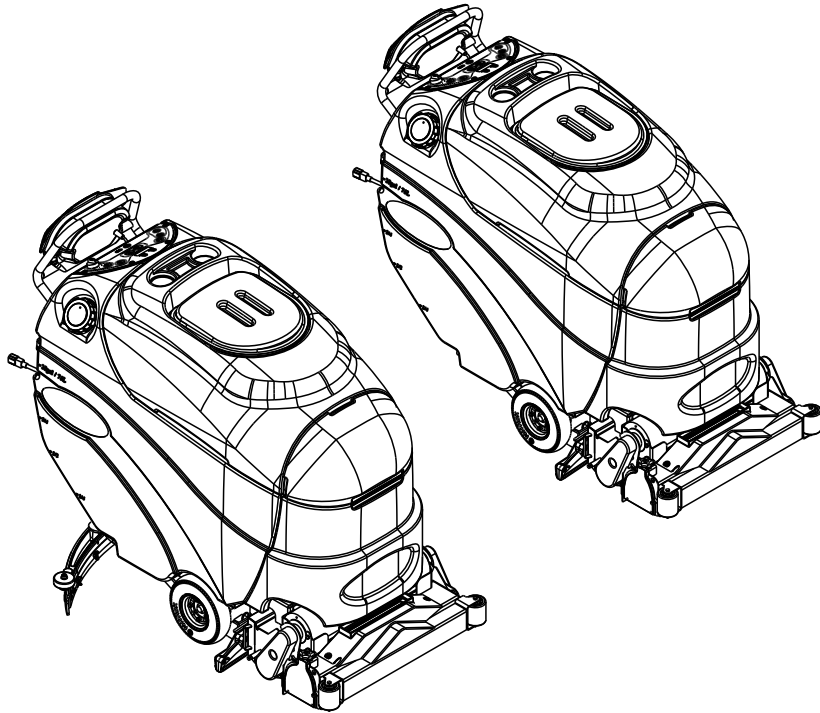
By Voice: Use numbers above.

Serving the Cleaning Industry Since 1922

Notice: All copyrighted material remains property of original owners, all trademarks are property of respective owners. Manuals are subject to Manufacturer's reproduction limitations. Originals or reproductions were provided by manufacturers through a request. We make no warranty as to the correctness of information provided in this document and you assume all risk. By placing these manuals on line we are not declaring our corporation to be an manufacturer authorized dealer or provider, please check our web site for authorized manufacturers we represent.

AquaPLUS™, AquaPLUS™ AXP

Adphibian™



Parts List

Active Models: 56317000, 56317002

Obsolete Model(s): 56317001



Advance

4/07 revised 11/12 FORM NO. 56042476

DESCRIPTION	PAGE
Chassis System	2-3
Chassis System-Squeegee Linkage Assy	4-5
Decal System.....	6-7
Recovery System.....	8-9
Scrub System	10-11
Solution System-Electrical-1	12-13
Solution System-Electrical-2.....	14-15
Chemical Assy-AXP Models Only	16-17
Paddle Assy	18-19
Squeegee Assy-Adphibian.....	20-21
Wiring Diagram	22-23
Optional Kits & Accessories.....	24
Brush Selector Guide.....	25
Squeegee Blade Selector Guide	26

WHEN ORDERING PARTS

- * Use the part numbers from the "Ref. No." columns in this parts list.
- * Specify the model and serial number of the machine.
- * Use the space below to record the model and serial number for future reference.

Model _____ Serial No. _____

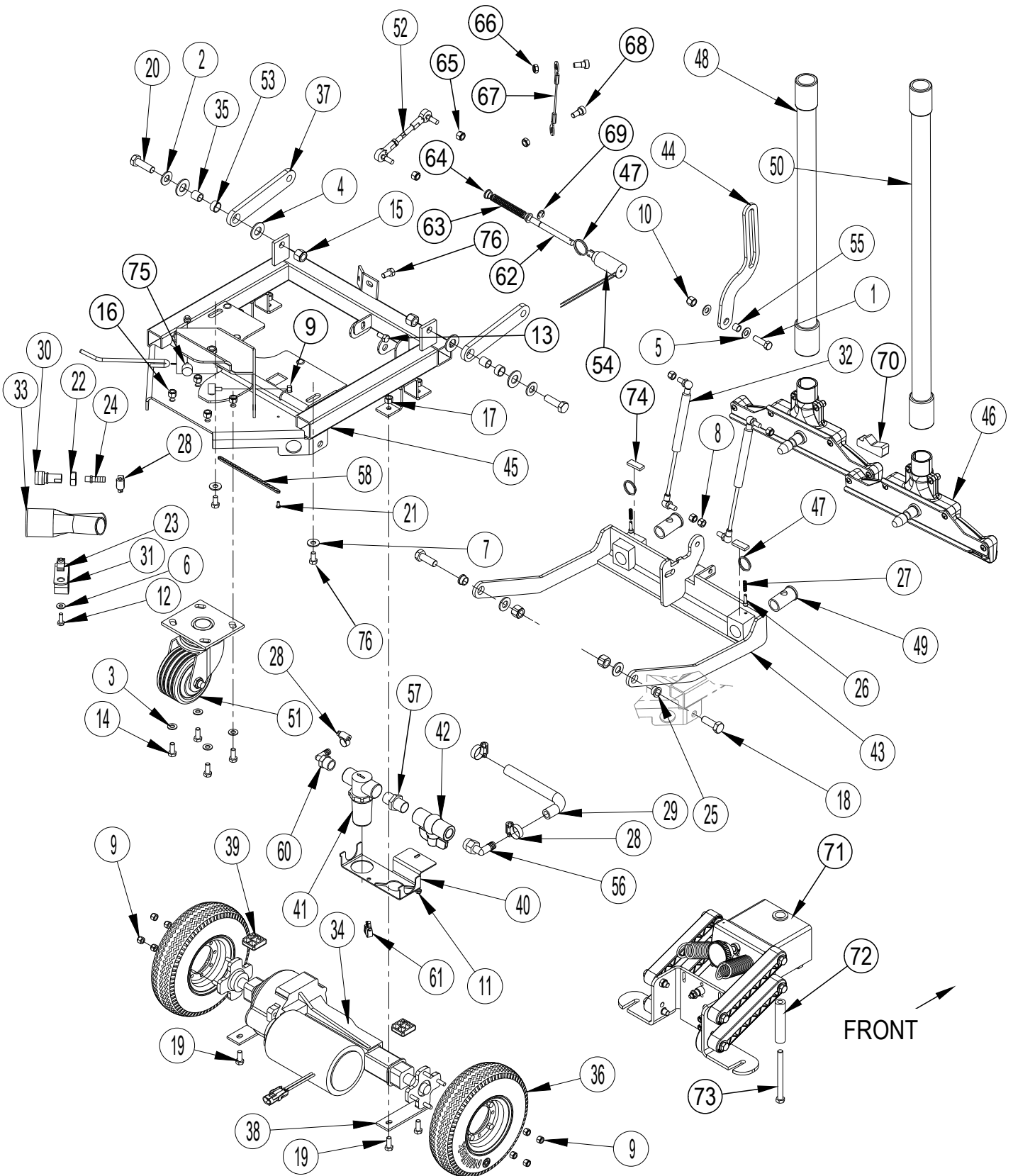
CHASSIS SYSTEM

07-4

2

AquaPLUS™, AquaPLUS™ AXP, Adphibian™

09-8



Item	Ref. No.	Qty	Description	Item	Ref. No.	Qty	Description
1	56001858	1	Scr, Hex 3/8-16 x 1.25	41	56315296	1	Solution Filter
2	56001879	4	Wsh, Flt SAE 1/2	42	56381475	1	Ball Valve NOTE 5
3	56001939	4	Wsh, Flt SAE 5/16	43	56317029	1	Shoe Support Weld't
4	56002022	4	Wsh, Flt SAE 5/8	44	56317035	1	Link, Lift
5	56002063	2	Wsh, Flt SAE 3/8	45	56317039	1	Chassis Weldt
6	56002098	1	Wsh, Flt SAE 1/4	46	56317041	2	Shoe Assembly TSBUS2008-999
7	56002220	2	Wsh, Flt STD 5/16	[]	56317097	2	Replacement Shoe (for 56317041)
8	56002701	4	Nut, Hex Nyl Loc 5/16-18	[]	56317063	2	Shoe Bracket Weld't. (for 56317041)
9	56002708	8	Nut, Hex Nyl Loc 1/4-20 (NOTE 1)	47	56317071	2	Ring (NOTE 2)
10	56002769	1	Nut, Hex Nyl Loc 3/8-16	48	56317091	1	Hose, Vac
11	56002832	1	Nut, Hex Nyl Loc-Thin 10-24	49	56317092	2	Bearing, Flange
12	56002948	1	Scr, Hex Hd Loc 1/4-20 x .75	50	56317093	1	Hose, Vac
13	56002988	1	Scr, Hex SS 5/16-18 x .62	51	56317121	1	Caster Swiv 4.0 x 2.0
14	56003179	4	Scr, Hex Thd To Hd M8-1.25 X 20mm	52	56317127	1	Turnbuckle
15	56003312	4	Nut, Hex Nyl Loc M12-1.75	53	56370878	2	Bearing, Sleeve
16	56003389	4	Nut, Hex Nyl Loc M8-1.25	54	56317100	1	Solenoid, Pull Type (L3 / NOTE 3)
17	56003405	4	Nut, Hex Nyl Loc SS M8-1.25	55	56388326	1	Bushing
18	56003415	2	Scr, Hex M12-1.75 x 35mm	56	56409152	1	Barb, 90 Elbow 1/2 x 1/2npt
19	56003435	4	Scr, Hex SS M8-1.25 x 20mm	57	56381474	1	Nipple NOTE 5
20	56003637	2	Scr, Hex M12-1.75 x 40mm	58	56467544	1	Chain
21	56009030	1	Scr, Pan Phil Thd Form 10-24 x .38	60	56900033	1	Barb, 90 Elbow 3/8 x 1/2npt
22	56009078	1	Nut, Hex Jam SS 5/8-18	61	56900756	1	Clip, Conduit
23	56009289	1	Nut, Retainer 1/4-20	62	56317070	1	Rod, Latch (NOTE 3)
24	56104299	1	Barb, Adapter 3/8 x 1/8 Npt	63	56317067	1	Spring, Compression (NOTE 3)
25	56185264	2	Bearing, Flange	64	56324505	2	Bearing, Flange (NOTE 3)
26	56317139	2	Pin	65	56002950	2	Nut, Hex Nyl Loc 5/16-24
27	56201448	2	Spring, Compression	66	56002826	2	Nut, Hex Nyl Loc-Thin 5/16-18
28	56219932	4	Clamp, Hose SAE #6	67	56304126	1	Cable Assy
29	56262180	1	Hose, Spiral .500	68	56003730	2	Scr, Soc Hd .38 x .25 x 5/16-18
30	56265208	1	Socket, 1/8 FPT	69	56003262	1	Ring, Ret Ext Type E .38 Dia (NOTE 3)
31	56305492	1	P-Clamp	70	56317156	1	Shoe Spacer, Foam
32	56314206	2	Gas Spring	71	56315165	1	Assy, Squeegee Linkage (NOTE 4)
33	56314557	1	Y-Tube	72	56315154	1	Bushing, Spacer (NOTE 4)
34	56315062	1	Transaxle, 24V (M8)	73	56009241	1	Scr, Hex 3/8-16 x 4.25 (NOTE 4)
[]	56315377	1	Motor (for 56315062)	74	56317164	2	Foam Strip
[]	56315378	4	Carbon Brush (for 56315062)	75	56315111	2	Cylindrical Mount (NOTE 4)
[]	56315379	2	Neoprene Mounting Sleeve (for 56315062)	76	56003012	3	Scr, Hex SS 5/16-18 x .75
[]	56380497	A/R	Transaxle Kit (for 56315062) TSBUS2008-1014				
[]	56380503	A/R	Transaxle Hub Kit (for 56315062) TSBUS2008-1018	[] = Not Shown			
[]	56380161	1	Kit-Coupling				
35	56315080	2	Bushing				
36	56315115	2	Wheel, Drive				
37	56315179	2	Linkage Arm				
38	56380499	2	Plate				
39	56315258	2	Shim				
40	56381476	1	Bracket, Filter Mount NOTE 5				

NOTE 1: QTY of 10 on Adphibian

NOTE 2: QTY of 3 on AquaPLUS AXP, Adphibian

NOTE 3: Only used on AquaPLUS AXP, Adphibian

NOTE 4: Only used on Adphibian

NOTE 5: Ball Valve 56381475 has replaced Ball Valve 56315607. When replacing 56315607 please order Ball Valve Bracket Kit 56381521 which includes items (40, 42 & 57).

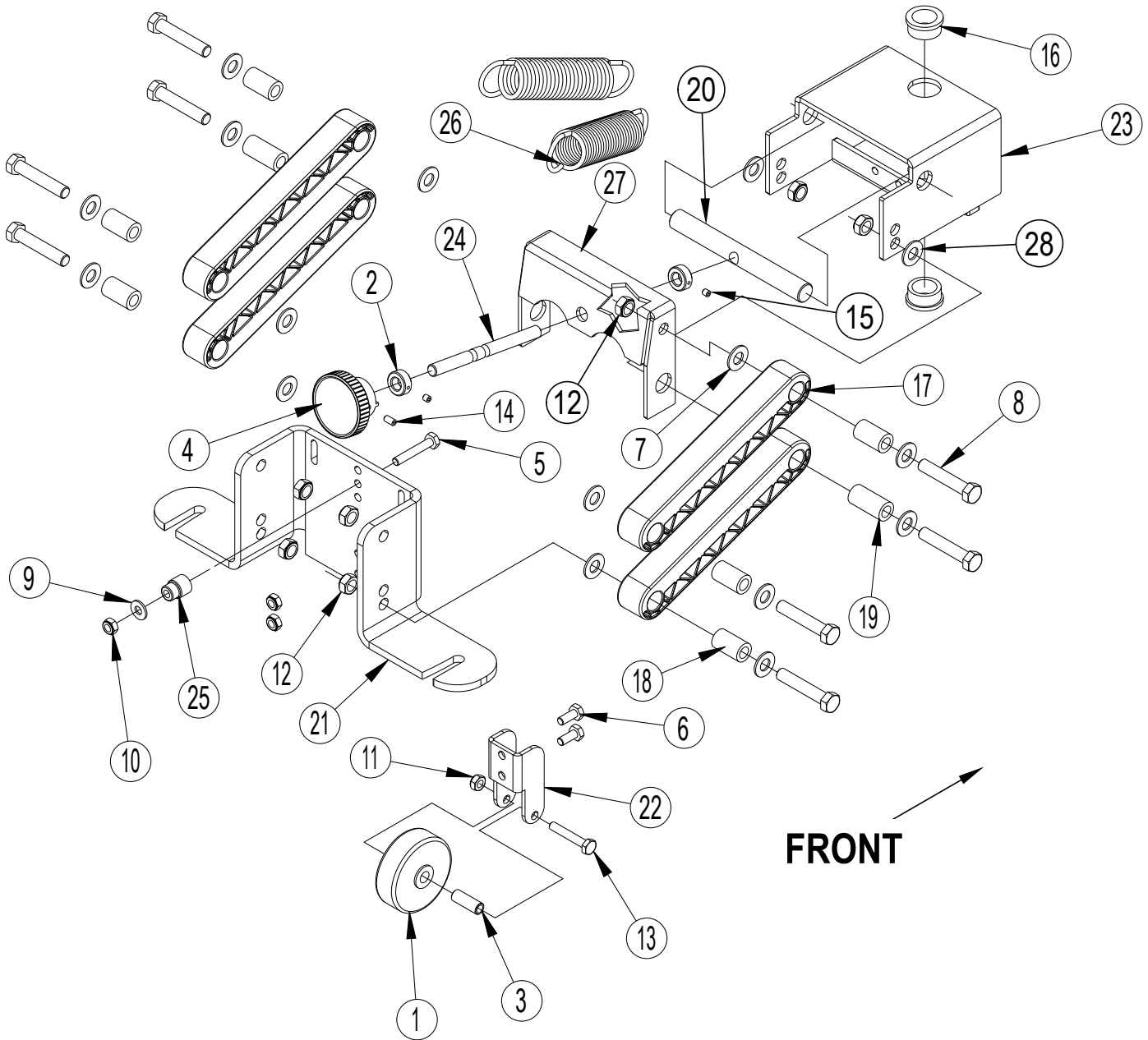
CHASSIS SYSTEM-SQUEEGEE LINKAGE ASSY

07-4

4

AquaPLUS™, AquaPLUS™ AXP, Adphibian™

11-10



07-4

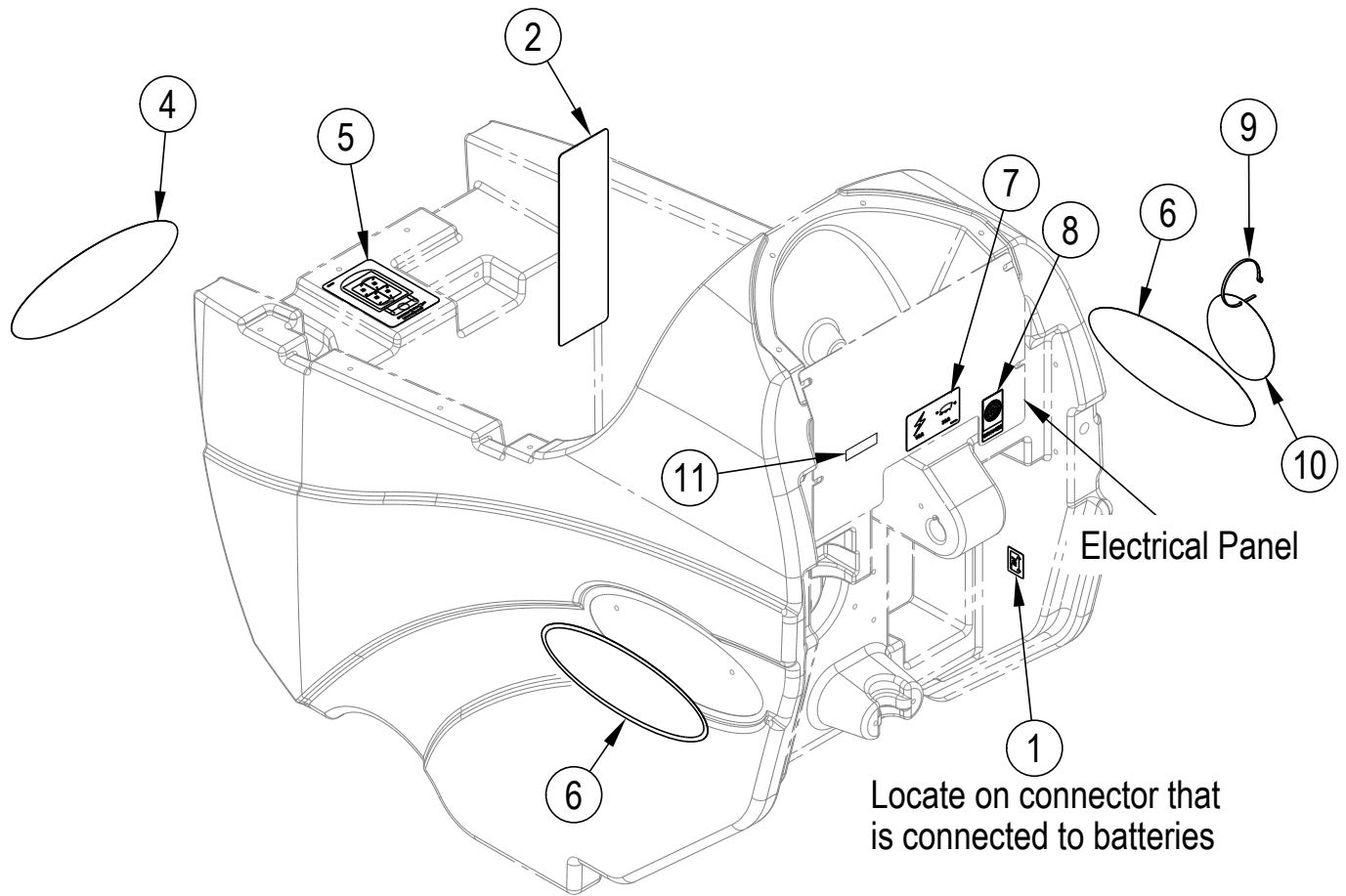
CHASSIS SYSTEM-SQUEEGEE LINKAGE ASSY

11-10

AquaPLUS™, AquaPLUS™ AXP, Adphibian™

5

Item	Ref. No.	Qty	Description
	56315165	1	Squeegee Linkage Assembly (Only used on Adphibian)
1	56324350	1	Wheel
2	56331076	2	Collar
3	56315580	1	Bushing
4	56475480	1	Knob
5	56001833	1	Scr, Hex 1/4-20 X 1.50
6	56001836	2	Scr, Hex 1/4-20 X .62
7	56002063	14	Wsh, Flt SAE 3/8
8	56002091	8	Scr, Hex 3/8-16 X 2.00
9	56002098	1	Wsh, Flt SAE 1/4
10	56002840	3	Nut, Hex Nyl Loc-Thin 1/4-20
11	56002850	1	Nut, Hex Nyl Loc-Thin Ss 1/4-20
12	56003219	8	Nut Hex Nyl Loc SS 3/8-16
13	56002880	1	Scr, Hex Loc SS 1/4-20 X 1.75
14	56003123	1	Scr, Soc Set 10-2 4x .38
15	56009084	2	Scr, Soc Set Loc 10-24 X .19
16	56250414	2	Bearing, Flange
17	56315941	4	Linkage Arm, Molded
18	56315067	6	Spacer, Phenolic
19	56315068	2	Spacer, Phenolic
20	56315082	1	Pin
21	56315151	1	Bracket, Squeegee Mount
22	56315153	1	Bracket, Wheel
23	56315196	1	Weldment, Squeegee
24	56315240	1	Rod, Adjustment
25	56315245	1	Bushing, Squeegee Cable
26	56315295	2	Spring, Extension
27	56315713	1	Bracket, Squeegee Level
28	56002940	2	Wsh, Flt SAE SS 5/8



07-4

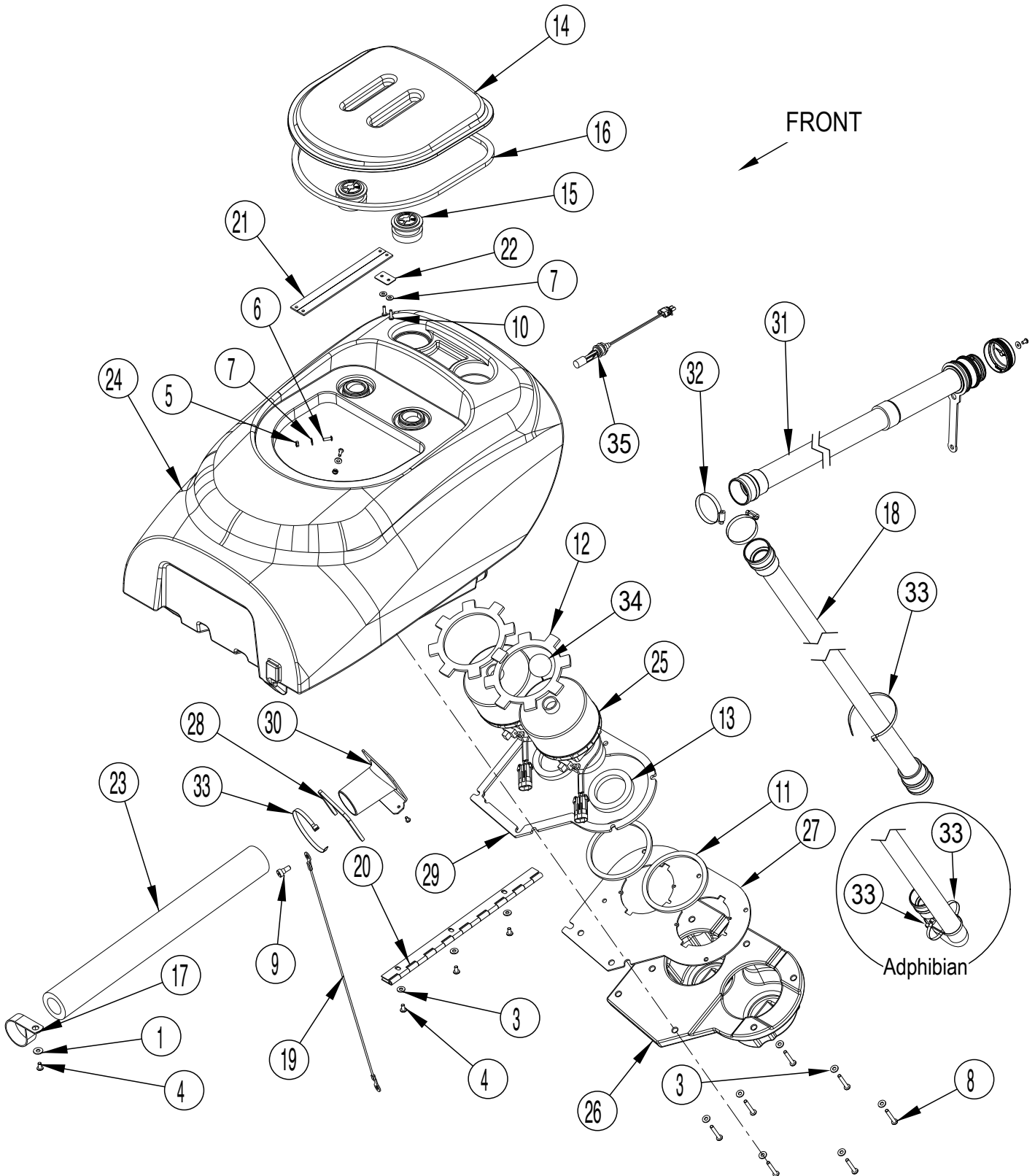
DECAL SYSTEM

10-11

AquaPLUS™, AquaPLUS™ AXP, Adphibian™

7

Item	Ref. No.	Qty	Description
1	56054192	1	Decal, Charger
2	56014601	1	Decal, Caution
4	56016349	1	Decal, Advance
5	56016688	1	Decal, Battery Wiring
6	56317125	2	Decal, AquaPLUS AXP
	56317124	2	Decal, AquaPLUS
	56317123	2	Decal, Adphibian
7	56317131	1	Decal, Circuit Breaker
8	56317151	1	Decal, CRI Bronze
9	56325789	1	Tie, Cable
10	56040958	1	Tag, CRI
11	56014450	1	Decal, Patent



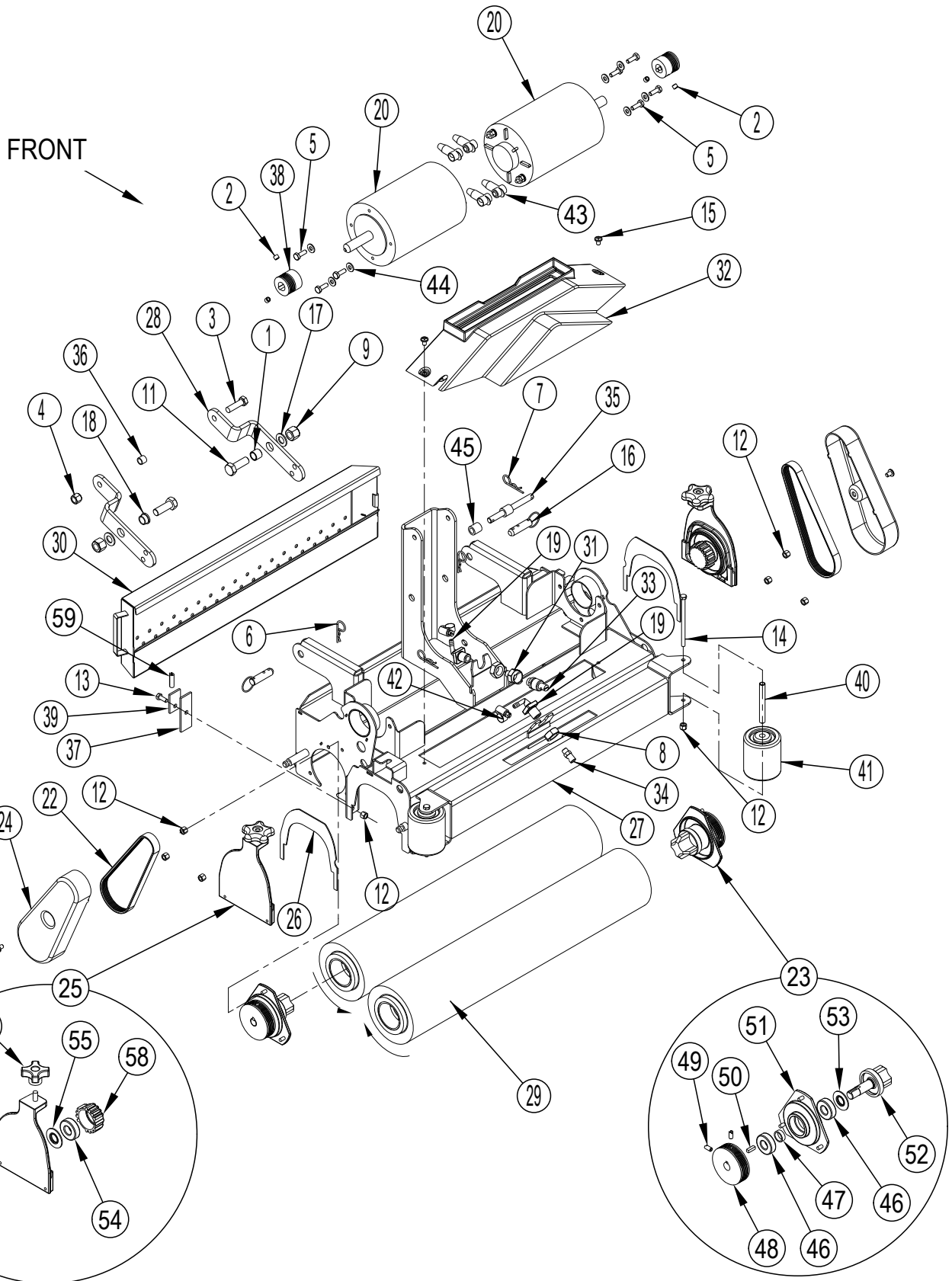
Item	Ref. No.	Qty	Description
1	56001906	1	Wsh, Flt STD 1/4
2	56002043	2	Scr, Pan Phil 10-24 X .38
3	56002098	10	Wsh, Flt SAE 1/4
4	56002145	4	Scr, Pan Phil 1/4-20 X .50
5	56002849	2	Nut, Hex Nyl Loc-Thin SS 10-24
6	56002896	2	Scr, Pan Phil SS 10-24 X .62
7	56002919	4	Wsh, Flt Std SS #10
8	56002997	7	Scr, Pan Phil 1/4-20 X 1.75
9#	56003730	1	Scr Soc Hd.38X.25 5/16-18
10	56009005	2	Scr, Pan Phil SS Type Ab 10-16 X .75
11	56212143	2	Gasket, Vacuum Duct
12	56264103	2	Gasket, Vacuum Motor
13	56314760	2	Gasket, Vacuum Duct
14	56315176	1	Cover, Recovery Tank
15	56315099	2	Screen, Fan Inlet
16	56315220	1	Gasket, Recovery Lid
17	56315257	1	Clamp, P
18	56317150	1	Vac Hose Assy (AquaPLUS & AquaPLUS AXP)
	56315268	1	Vac Hose Assy (Adphibian)
19	56315272	1	Cable Assy
20	56315293	1	Hinge
21	56315303	2	Retaining, Strap
22	56315346	1	Plate
23	56317149	1	Foam, Acoustical
24	56317020	1	Tank, Recovery (AquaPLUS & AquaPLUS AXP)
	56317146	1	Tank, Recovery (Adphibian)
25	56317025	2	Motor, Vac 24vdc (M6 / M7)
[]	56397098	1	Carbon Brush set of 2 (for 56317025 / 56317133)
26	56317030	1	Cover, Vac
27	56317031	1	Plate, Vac
28	56317033	1	Gasket, Exhaust
29	56317034	1	Gasket, Cover
30	56317052	1	Tube, Exhaust
31	56381924	1	Drainhose
[]	56601411	1	Drain Hose Cap Kit (for 56601400)
[]	56601412	1	Drain Hose Kit (for 56601400) NOTE 2
*	56601410	1	Drain Hose Extension (for 56601400)
32	56440213	2	Clamp, Hose SAE #32
33	56477613	2	Tie, Cable (Qty of 3 on Adphibian)
34	56391690	1	Ball, Float (Adphibian)
35	56315096	1	Switch, Float (S2) NOTE 1

[] = Not Shown

* = Optional, Not Included

= Revised or new since last update

NOTE 1: Float Switch 56315096 is optional on the AquaPLUS models and standard on the Adphibian.**NOTE 2:** Drain Hose 56397142 has been replaced by Drain Hose 56601400 in production. When replacing 56397142 you need to order Drain Hose Kit 56601412.



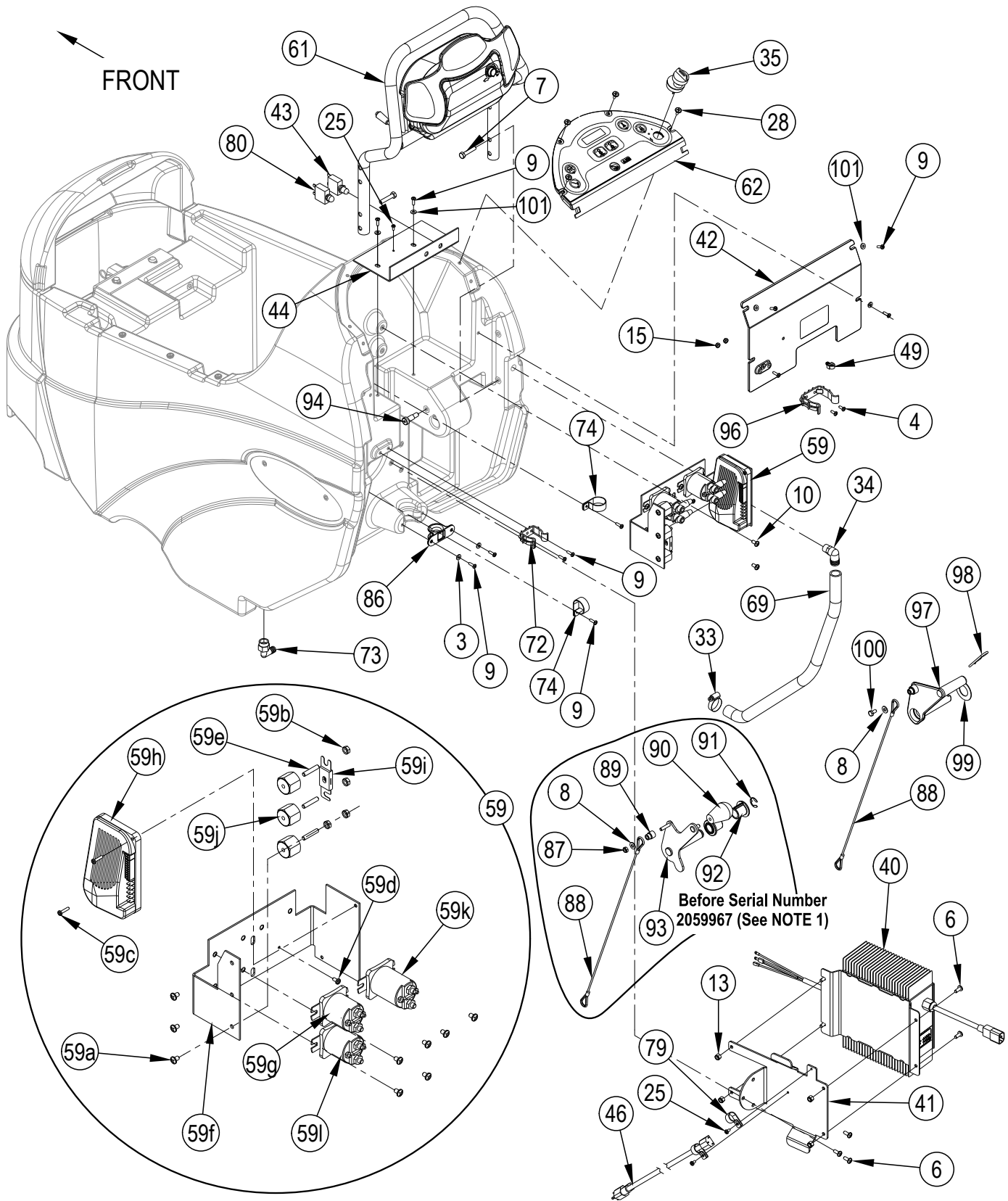
Item	Ref. No.	Qty	Description	Item	Ref. No.	Qty	Description
1	56367206	1	Bushing	46	56106070	2	Bearing, Ball
2	56002086	4	Scr, Soc Set Loc 5/16-18 X .25	47	56407389	1	Spacer
3	56001858	1	Scr, Hex 3/8-16 X 1.25	48	56316054	1	Sheave, Poly-V TSBUS2008-1000
4	56002841	1	Nut, Hex Nyl Loc-Thin 3/8-16	49	56002119	2	Scr, Soc Set Loc 1/4-20 x .50
5	56002948	7	Scr,Hex Hd Loc 1/4-20 X.75	50	56003237	1	Key, Sq. .19 x .62
6	56002959	2	Pin, Cotter Hair	51	56381765	1	Bearing Plate
7	56003120	2	Pin, Cotter Hair .0915 X .375	52	56109527	1	Spindle
8	56003272	2	Nut, Hex Jam SS 5/8-11	53	56407558	1	Washer, Bearing
9	56003312	2	Nut, Hex Nyl Loc M12-1.75				
11	56003415	2	Scr, Hex M12-1.75 X 35mm	54	56106070	1	Bearing, Ball
12	56003426	10	Nut, Hex Nyl Loc SS M6-1	55	56407558	1	Washer, Bearing
13	56003431	2	Scr, Hex SS M6-1 X 16mm	56	56315447	1	Idler Bearing Plate
14	56003492	2	Scr, Hex M6-1 X 95mm	57	56407303	1	Knob
15	56003603	4	Scr, Pan Phil Thd Form 1/4-20 X .38	58	56407551	1	Hub
16	56003671	2	Pin, Ring .50 X 1.25				
17	56009003	2	Wsh, Flt .516 X .938 X .075	59	56317158	2	Channel, Rubber
18	56185264	1	Bearing, Flange				
19	56265388	2	Elbow, Panel Mount				[] = Not Shown
20	56315061	2	Motor, 24 Vdc, .5 Hp, 1800 RPM (M4 / M5) TSBUS2010-1058				
[]	56412287	1	Brush / Spring Kit (for 56315061) NOTE 3				
[]	56380003	1	Brush / Spring Kit (for 56315061) NOTE 3				
21	56315320	2	Harness, Brush				
22	56316053	2	Belt, Auto Tension TSBUS2008-1000				
23	56317157	2	Drive End Assy (#46-53)				
[24]	56315445	2	Cover, Belt				
25	56314445	2	Idler End Assy (#54-58)				
26	56316191	2	Gasket				
27	56317021	1	Housing Weldment 24"				
28	56317036	2	Link, Pivot				
29	56314389	2	Brush, Soft Nylon 24" NOTE 1				
	56317047	2	Brush, Multi-Surface NOTE 2				
30	56317049	1	Hopper Weld't, Extractor				
31	56317053	1	Body, Nozzle Qjja				
32	56317054	1	Cover, Nozzle				
33	56317064	1	Nozzle, Spray #1				
34	56265052	1	Nozzle, Spray				
35	56317084	1	Pin, Actuator				
36	56388326	1	Bushing				
37	56407391	2	Blade				
38	56316066	2	Sheave, Poly-V				
39	56410214	2	Strap				
40	56412176	2	Bushing				
41	56412459	2	Wheel				
42	56219932	2	Clamp, Hose SAE #6				
43	56409538	4	Insulator, Terminal				
44	56009064	7	Wsh, Int Shprf 1/4				
45	56317163	1	Spacer, Phenolic				

NOTE 1: Only used on AquaPLUS & AquaPLUS AXP

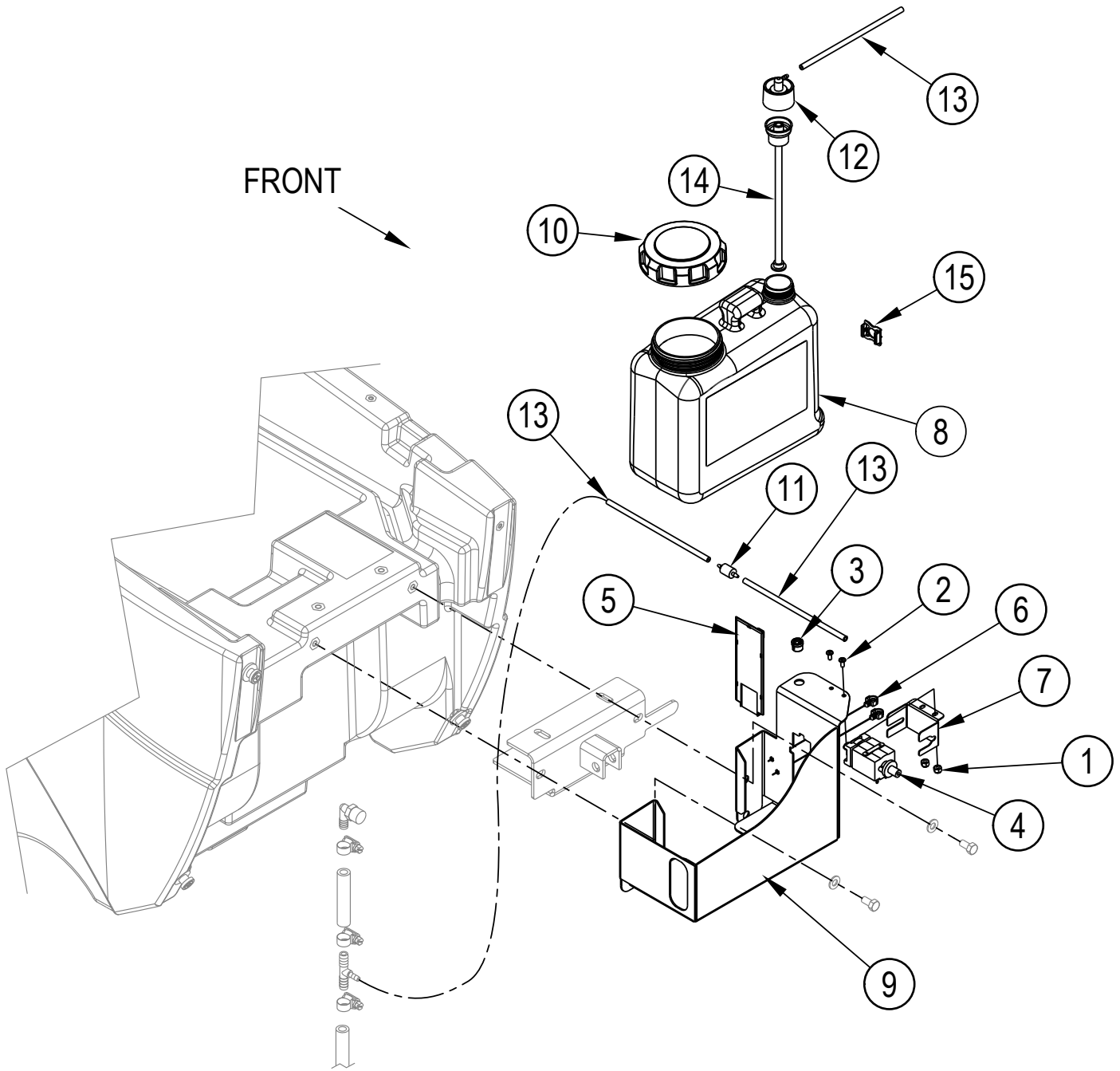
NOTE 2: Only used on Adphibian

NOTE 3: If your cylindrical scrub motor has a serial tag from Scott Motors Co. (4BB1344) order Carbon Brush Set 56412287. If your cylindrical scrub motor has a serial tag from Nilfisk-Advance (ZD22000) order Carbon Brush Set 56380003.

Item	Ref. No.	Qty	Description	Item	Ref. No.	Qty	Description
1	56001832	4	Scr, Flt Phil 1/4-20 X 1.00	61	56317098	1	Assembly, Paddle
2	56009122	7	Wsh, Flt (QTY of 5 on AquaPLUS)	62	56317111	1	Control Panel Assy (A1) NOTE 1
3	56001954	2	Wsh, Flt Sae #10	*	56317114	1	Replacement Membrane Switch Assy for 56317111
4	56001993	2	Scr, Pan Phil 10-24 X .50				NOTE 1
5	56002667	7	Scr, Hex 5/16-18 X .75	56317107	1	Control Panel Assy (A1) NOTE 2	
6	56002066	7	Scr, Pan Phil 1/4-20 X .62	*	56317117	1	Replacement Membrane Switch Assy for 56317107 NOTE 1
7	56002094	4	Scr, Hex 5/16-18 X 1.50	63	56317122	1	Hose, 1/4 X 25.00 Long
8	56002098	4	Wsh, Flt Sae 1/4	64	56365777	4	Lug, Brush Driver
			(Qty of 3 on AquaPLUS & AquaPLUS AXP)	65	56372506	1	Tee, Branch 1/4 Br
9	56002124	12	Scr, Pan Phil 10-24 X .62	66	56387214	1	Hose, 3.0" E00169 NOTE 3
			(Qty of 10 on AquaPLUS & AquaPLUS AXP)	67	56391773	1	Hose, 23" NOTE 3
10	56002145	5	Scr, Pan Phil 1/4-20 X .50	[]	56317132	1	Hose, 27" (AquaPLUS)
11	56002684	1	Scr, Hex 3/8-16 X 1.75	68	56317161	1	Lift Actuator Assembly (M3 / 68a-68j) TSBUS2008-997
12	56002826	4	Nut, Hex Nyl Loc-Thin 5/16-18	68a	56003603	8	Scr, Pan Phil Thd Form 1/4-20 x .38
13	56002708	4	Nut, Hex Nyl Loc 1/4-20	68b	56009019	2	Scr, Hex Thd Form 1/4-20 x .38
14	56002825	2	Scr, Pan Phil 1/4-20 X 1.25	68c	56317162	1	Tube
15	56002832	2	Nut, Hex Nyl Loc Thin 10-24 NOTE 5	68d	56393303	1	Actuator, Motor
16	56002841	1	Nut, Hex Nyl Loc-Thin 3/8-16	*	56388520	1	Plastic Nut
18	56002875	2	Wsh, Flt Sae Ss #8	68e	56396268	1	Spring Housing Guide
19	56002894	2	Scr, Pan Phil Ss 10-24 X .75	68f	56412071	1	Compression Spring
20	56002959	1	Pin, Cotter Hair	68g	56420018	1	Compression Spring
22	56003018	4	Scr, Pan Phil Ss 8-32 X .38	68h	56420019	1	Nut Retainer
24	56003679	1	Pin, Ring .50 X 1.63	68i	56420020	1	Nut Retainer
25	56009030	3	Scr, Pan Phil Thd Form 10-24 X .38	68j	56748926	1	Wsh, Flt .075 x 1.03 x 1.50
26	56009139	4	Scr, Pan Phil Loc 10-24 X .38	69	56396143	1	Hose, Pvc
27	56009205	2	Wsh, Flt Ss .219 X .500 X .047/.062	70	56397187	1	Connector Assy (connected to batteries)
28	56009206	4	Scr, Truss Phil-Blk 10-24x.50	71	56397188	1	Connector Assy (connected to machine)
29	56054146	1	Tube, Vinyl	72	56407361	1	Clamp, Plastic
30	56150223	2	Nipple, 1/4npt X .88/1.12	73	56409152	1	Barb, 90 Elbow 1/2 X 1/2npt
31	56155640	1	Barb, Adapter 3/8 X 1/4npt	74	56410166	2	Clamp,P
33	56244969	1	Clamp, Hose Sae #12	76	56456560	1	15.00" Hose
34	56264442	1	Barb, 90 Elbow 3/4 X 3/8npt	77	56470138	2	Barb, 90 Elbow 1/4 X 1/4npt
35	56303553	1	Key Switch Assembly (S1)	78	56478523	2	Tie, Cable
[]	56303526	A/R	Set of 2 Replacement Keys	79	56486112	2	Clamp,P
37	56315089	1	Tank, Solution TSBUS2008-1017	80	56507644	1	Circuit Breaker, 10 Amp (CB1)
*	56109561	1	Solution Tank Kit NOTE 7	82	56756739	1	Elbow,90 Barb Male
38	56315104	1	Nose Cone, 24-26 Commercial	83	56900027	1	Tee, Female Union
40	56315773	1	Charger, On-Board 24v	84	56382545	2	Elbow 90 Barb Male 3/8X3/8 NPT
			TSBUS2007-979 / TSBUS2008-984	86	56315121	1	Guide, Cable NOTE 2
41	56315206	1	Bracket, Charger	87	56002840	1	Nut, Hex Nyl Loc-Thin 1/4-20 NOTE 2 / NOTE 4
42	56109502	1	Panel, Electrical NOTE 5	88	56315243	1	Cable Assy NOTE 2
43	56315256	1	Circuit Breaker, 30 Amp (CB2)	89	56315245	1	Bushing, Squeegee Cable NOTE 2 / NOTE 4
44	56109553	1	Plate, Circuit Breaker NOTE 6	90	56364527	1	Knob NOTE 2 / NOTE 4
45	56315265	1	Tee, Barb NOTE 3	91	56003266	1	Ring, Ret Ext Type E .75 Dia NOTE 2 / NOTE 4
46	56315270	1	Charger Cord, Us	92	56315193	2	Bushing, Flange NOTE 2 / NOTE 4
47	56315284	1	Cover, Chemical Bottle	93	56315236	1	Weldt, Squeegee Lift NOTE 2 / NOTE 4
48	56315285	1	Hinge	94	56002962	1	Scr, Soc Shd .38 x .62 x 5/16-18 NOTE 2 / NOTE 4
49	56315382	1	Clip, Conduit	95	56219932	8	Clamp, Hose SAE #6
50	56315501	1	Chemical Tank AS NOTE 3				(Qty of 6 on AquaPLUS)
51	56601599	1	Cap, Raw W/Tether	96	56212236	1	Clamp, Plastic
53	56317024	2	Valve, Solenoid 24v (L1 / L2)	97	56315730	1	Lever, Squeegee Lift NOTE 2 / NOTE 4
54	56317026	1	Yoke, Actuator	98	56003223	1	Pin, Cot Hair NOTE 2 / NOTE 4
55	56317038	1	Bracket Linkage Pivot	99	56009117	1	Wsh, Flt 1.03 x 1.85 x .48 NOTE 2 / NOTE 4
56	56317045	1	Pump, 24vdc (M1)	100	56001854	1	Scr, Hex 1/4-20 x .50 NOTE 2 / NOTE 4
[]	56109587	1	Pump Head Assy (for 56317045)	101	56002053	6	Wsh, Flt STD #10
[]	56109588	1	Check Valve Assy (for 56317045)				[] = Not Shown
57	56317072	2	Gas Spring				* = Optional, Not Included
58	56317078	1	Actuator Bracket Weldt				NOTE 1: Only used on AquaPLUS & AquaPLUS AXP
59	56317128	1	Assy, Electrical Box (59a-59k) NOTE 1				NOTE 2: Only used on Adphibian
	56317082	1	Assy, Electrical Box (59a-59l) NOTE 2				NOTE 3: Only used on AquaPLUS AXP, Adphibian
59a	56002462	9	Scr, Pan Phil 1/4-20 X .38				NOTE 4: As of serial number 2059967 the following items (56002962, 56364527, 56002840, 56003266, 56315193, 56315236 & 56315245) are no longer used in production. If you need to replace any of these items please order the following group of parts (56315730, 56009117, 56003223, 56001854 / items 97 through 100) in a quantity of 1 each.
			(Qty of 7 on AquaPLUS & AquaPLUS AXP)				NOTE 5: As of serial number 2059967 the following items (56002832, 56315222 & 56412285) are no longer used in production. If you need to replace 56315222 or 56412285 please order 56109502.
59b	56002561	4	Nut, Hex W/ Shprf 1/4-20				NOTE 6: 56315259 and 56315532 are no longer used in production. If you need to replace either of these items please order 56109553.
59c	56003698	2	Scr, Pan Phil Thd Form 8-32 X .75				NOTE 7: If replacing the solution tank on a machine with the old style squeegee lift level (56315236), please order Solution Tank Kit 56109561.
59d	56009030	1	Scr, Pan Phil Thd Form 10-24 X .38				
59e	56009203	3	Stud, 1/4-20				
59f	56317081	1	Panel, Electrical				
59g	56317101	1	Contact, 24vdc 100a (K2)				
59h	56317102	1	Controller, Speed (A2)				
59i	56412089	1	Fuse, 150 Amp (F1)				
59j	56469858	3	Standoff, Insulated				
59k	56317116	1	Contact, 24vdc 200a (K1) TSBUS2008-1020				
59l	56317101	1	Contact, 24vdc 100a (K3) NOTE 2				
60	56317083	1	Hose, 33"				



Item	Ref. No.	Qty	Description	Item	Ref. No.	Qty	Description
1	56001832	4	Scr, Flt Phil 1/4-20 X 1.00	61	56317098	1	Assembly, Paddle
2	56009122	7	Wsh, Flt (QTY of 5 on AquaPLUS)	62	56317111	1	Control Panel Assy (A1) NOTE 1
3	56001954	2	Wsh, Flt Sae #10	*	56317114	1	Replacement Membrane Switch Assy for 56317111 NOTE 1
4	56001993	2	Scr, Pan Phil 10-24 X .50				
5	56002667	7	Scr, Hex 5/16-18 X .75		56317107	1	Control Panel Assy (A1) NOTE 2
6	56002066	7	Scr, Pan Phil 1/4-20 X .62	*	56317117	1	Replacement Membrane Switch Assy for 56317107 NOTE 1
7	56002094	4	Scr, Hex 5/16-18 X 1.50	63	56317122	1	Hose, 1/4 X 25.00 Long
8	56002098	4	Wsh, Flt Sae 1/4	64	56365777	4	Lug, Brush Driver
			(Qty of 3 on AquaPLUS & AquaPLUS AXP)	65	56372506	1	Tee, Branch 1/4 Br
9	56002124	12	Scr, Pan Phil 10-24 X .62	66	56387214	1	Hose, 3.0" E00169 NOTE 3
			(Qty of 10 on AquaPLUS & AquaPLUS AXP)	67	56391773	1	Hose, 23" NOTE 3
10	56002145	5	Scr, Pan Phil 1/4-20 X .50	[]	56317132	1	Hose, 27" (AquaPLUS)
11	56002684	1	Scr, Hex 3/8-16 X 1.75	68	56317161	1	Lift Actuator Assembly (M3 / 68a-68j) TSBUS2008-997
12	56002826	4	Nut, Hex Nyl Loc-Thin 5/16-18	68a	56003603	8	Scr, Pan Phil Thd Form 1/4-20 x .38
13	56002708	4	Nut, Hex Nyl Loc 1/4-20	68b	56009019	2	Scr, Hex Thd Form 1/4-20 x .38
14	56002825	2	Scr, Pan Phil 1/4-20 X 1.25	68c	56317162	1	Tube
15	56002832	2	Nut, Hex Nyl Loc Thin 10-24 NOTE 5	68d	56393303	1	Actuator, Motor
16	56002841	1	Nut, Hex Nyl Loc-Thin 3/8-16	*	56388520	1	Plastic Nut
18	56002875	2	Wsh, Flt Sae Ss #8	68e	56396268	1	Spring Housing Guide
19	56002894	2	Scr, Pan Phil Ss 10-24 X .75	68f	56412071	1	Compression Spring
20	56002959	1	Pin, Cotter Hair	68g	56420018	1	Compression Spring
22	56003018	4	Scr, Pan Phil Ss 8-32 X .38	68h	56420019	1	Nut Retainer
24	56003679	1	Pin, Ring .50 X 1.63	68i	56420020	1	Nut Retainer
25	56009030	3	Scr, Pan Phil Thd Form 10-24 X .38	68j	56748926	1	Wsh, Flt .075 x 1.03 x 1.50
26	56009139	4	Scr, Pan Phil Loc 10-24 X .38	69	56396143	1	Hose, Pvc
27	56009205	2	Wsh, Flt Ss .219 X .500 X .047/.062	70	56397187	1	Connector Assy (connected to batteries)
28	56009206	4	Scr, Truss Phil-Blk 10-24x.50	71	56397188	1	Connector Assy (connected to machine)
29	56054146	1	Tube, Vinyl	72	56407361	1	Clamp, Plastic
30	56150223	2	Nipple, 1/4npt X .88/1.12	73	56409152	1	Barb, 90 Elbow 1/2 X 1/2npt
31	56155640	1	Barb, Adapter 3/8 X 1/4npt	74	56410166	2	Clamp,P
33	56244969	1	Clamp, Hose Sae #12	76	56456560	1	15.00" Hose
34	56264442	1	Barb, 90 Elbow 3/4 X 3/8npt	77	56470138	2	Barb, 90 Elbow 1/4 X 1/4npt
35	56303553	1	Key Switch Assembly (S1)	78	56478523	2	Tie, Cable
[]	56303526	A/R	Set of 2 Replacement Keys	79	56486112	2	Clamp,P
37	56315089	1	Tank, Solution TSBUS2008-1017	80	56507644	1	Circuit Breaker, 10 Amp (CB1)
*	56109561	1	Solution Tank Kit NOTE 7	82	56756739	1	Elbow,90 Barb Male
38	56315104	1	Nose Cone, 24-26 Commercial	83	56900027	1	Tee, Female Union
40	56315773	1	Charger, On-Board 24v	84	56382545	2	Elbow 90 Barb Male 3/8X3/8 NPT
			TSBUS2007-979 / TSBUS2008-984	86	56315121	1	Guide, Cable NOTE 2
41	56315206	1	Bracket, Charger	87	56002840	1	Nut, Hex Nyl Loc-Thin 1/4-20 NOTE 2 / NOTE 4
42	56109502	1	Panel, Electrical NOTE 5	88	56315243	1	Cable Assy NOTE 2
43	56315256	1	Circuit Breaker, 30 Amp (CB2)	89	56315245	1	Bushing, Squeezegee Cable NOTE 2 / NOTE 4
44	56109553	1	Plate, Circuit Breaker NOTE 6	90	56364527	1	Knob NOTE 2 / NOTE 4
45	56315265	1	Tee, Barb NOTE 3	91	56003266	1	Ring, Ret Ext Type E .75 Dia NOTE 2 / NOTE 4
46	56315270	1	Charger Cord, Us	92	56315193	2	Bushing, Flange NOTE 2 / NOTE 4
47	56315284	1	Cover, Chemical Bottle	93	56315236	1	Weldt, Squeezegee Lift NOTE 2 / NOTE 4
48	56315285	1	Hinge	94	56002962	1	Scr, Soc Shd .38 x .62 x 5/16-18 NOTE 2 / NOTE 4
49	56315382	1	Clip, Conduit	95	56219932	8	Clamp, Hose SAE #6 (QTY of 6 on AquaPLUS)
50	56315501	1	Chemical Tank AS NOTE 3	96	56212236	1	Clamp, Plastic
51	56601599	1	Cap, Raw W/Tether	97	56315730	1	Lever, Squeezegee Lift NOTE 2 / NOTE 4
53	56317024	2	Valve, Solenoid 24v (L1 / L2)	98	56003223	1	Pin, Cot Hair NOTE 2 / NOTE 4
54	56317026	1	Yoke, Actuator	99	56009117	1	Wsh, Flt 1.03 x 1.85 x .48 NOTE 2 / NOTE 4
55	56317038	1	Bracket Linkage Pivot	100	56001854	1	Scr, Hex 1/4-20 x .50 NOTE 2 / NOTE 4
56	56317045	1	Pump, 24vdc (M1)	101	56002053	6	Wsh, Flt STD #10
[]	56109587	1	Pump Head Assy (for 56317045)				
[]	56109588	1	Check Valve Assy (for 56317045)				
57	56317072	2	Gas Spring	[] = Not Shown			
58	56317078	1	Actuator Bracket Weldt	* = Optional, Not Included			
59	56317128	1	Assy, Electrical Box (59a-59k) NOTE 1	NOTE 1: Only used on AquaPLUS & AquaPLUS AXP			
	56317082	1	Assy, Electrical Box (59a-59i) NOTE 2	NOTE 2: Only used on Adphibian			
59a	56002462	9	Scr, Pan Phil 1/4-20 X .38	NOTE 3: Only used on AquaPLUS AXP, Adphibian			
			(Qty of 7 on AquaPLUS & AquaPLUS AXP)	NOTE 4: As of serial number 2059967 the following items (56002962, 56364527, 56002840, 56003266, 56315193, 56315236 & 56315245) are no longer used in production. If you need to replace any of these items please order the following group of parts (56315730, 56009117, 56003223, 56001854 / items 97 through 100) in a quantity of 1 each.			
59b	56002561	4	Nut, Hex W/ Shprf 1/4-20	NOTE 5: As of serial number 2059967 the following items (56002832, 56315222 & 56412285) are no longer used in production. If you need to replace 56315222 or 56412285 please order 56109502.			
59c	56003698	2	Scr, Pan Phil Thd Form 8-32 X .75	NOTE 6: 56315259 and 56315532 are no longer used in production. If you need to replace either of these items please order 56109553.			
59d	56009030	1	Scr, Pan Phil Thd Form 10-24 X .38	NOTE 7: If replacing the solution tank on a machine with the old style squeezegee lift level (56315236), please order Solution Tank Kit 56109561.			
59e	56009203	3	Stud, 1/4-20				
59f	56317081	1	Panel, Electrical				
59g	56317101	1	Contact, 24vdc 100a (K2)				
59h	56317102	1	Controller, Speed (A2)				
59i	56412089	1	Fuse, 150 Amp (F1)				
59j	56469858	3	Standoff, Insulated				
59k	56317116	1	Contact, 24vdc 200a (K1) TSBUS2008-1020				
59l	56317101	1	Contact, 24vdc 100a (K3) NOTE 2				
60	56317083	1	Hose, 33"				



07-4	CHEMICAL ASSY		
08-4	AquaPLUS™, AquaPLUS™ AXP, Adphibian™		17

Item	Ref. No.	Qty	Description
	56315501	1	Chemical Tank Assy (1-14) (Only used on AquaPLUS AXP, Adphibian)
1	56002877	2	Nut, Hex Nyl Loc SS 8-32
2	56003018	2	Scr, Pan Phil SS 8-32 x .38
3	56003699	1	Bushing, 1/4 ID Snub
4	56315241	1	Pump, Chemical (M2)
5	56315340	1	Circuit Board Assy
6	56315382	2	Clip, Conduit
7	56315476	1	Bracket, Chemical Pump
8	56315502	1	Chemical Bottle As
9	56315515	1	Bracket, Tank Mounting
10	56315517	1	Cap
11	56315522	1	Check Valve, 1/8 Barb, 125PSI
12	56315523	1	Cap, Dry Break, 1/8 Barb, 90°
13	56315524	3	Hose, Chemical Resistant, 7"
14	56315527	1	Insert, Dry Break
15	56315511	1	Indicator Assy
*	56315503	A/R	Chemical Bottle Assy (8, 10, 14)

* = Optional, Not Included

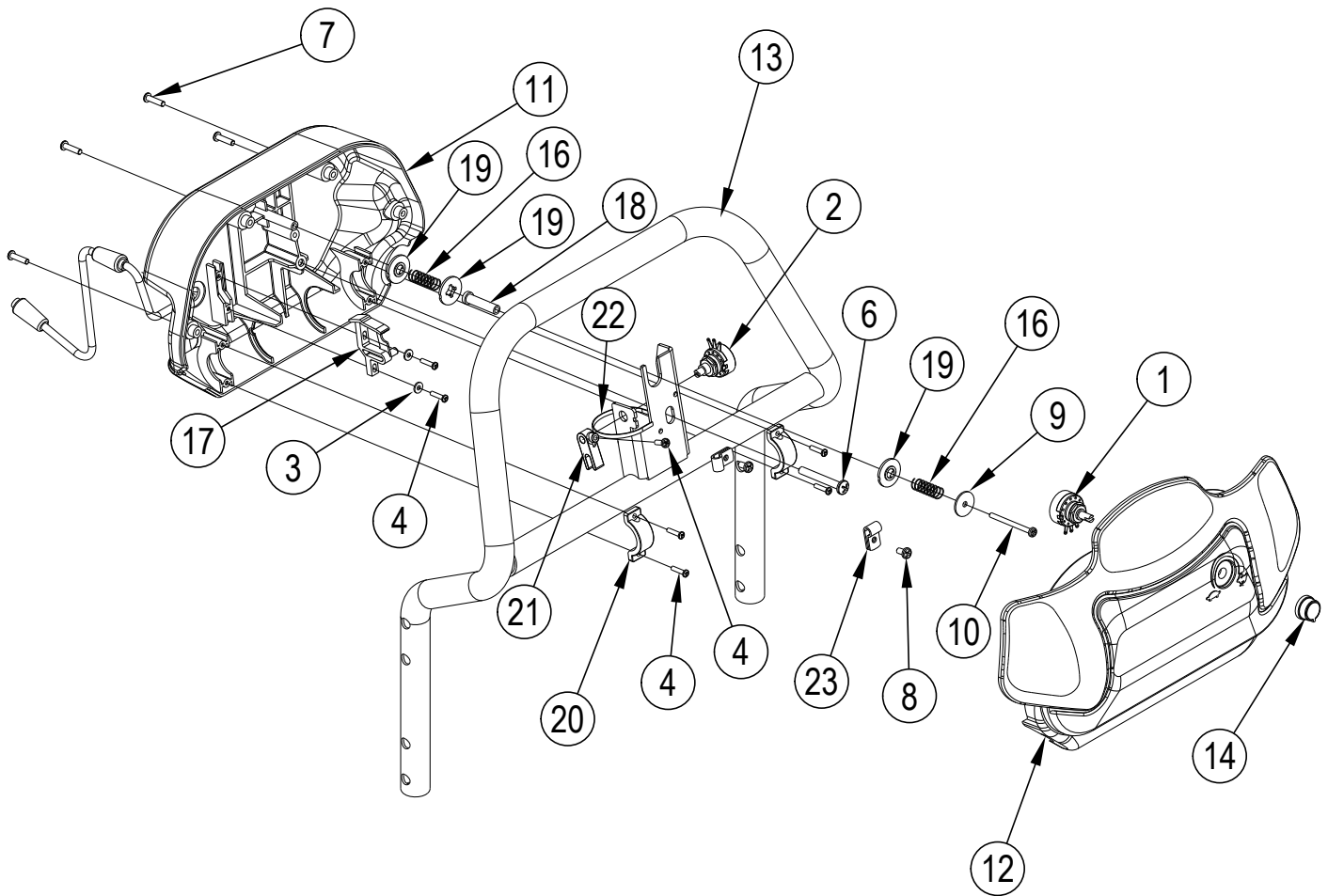
PADDLE ASSY

07-4

18

AquaPLUS™, AquaPLUS™ AXP, Adphibian™

09-8



07-4

PADDLE ASSY

09-12

AquaPLUS™, AquaPLUS™ AXP, Adphibian™**19**

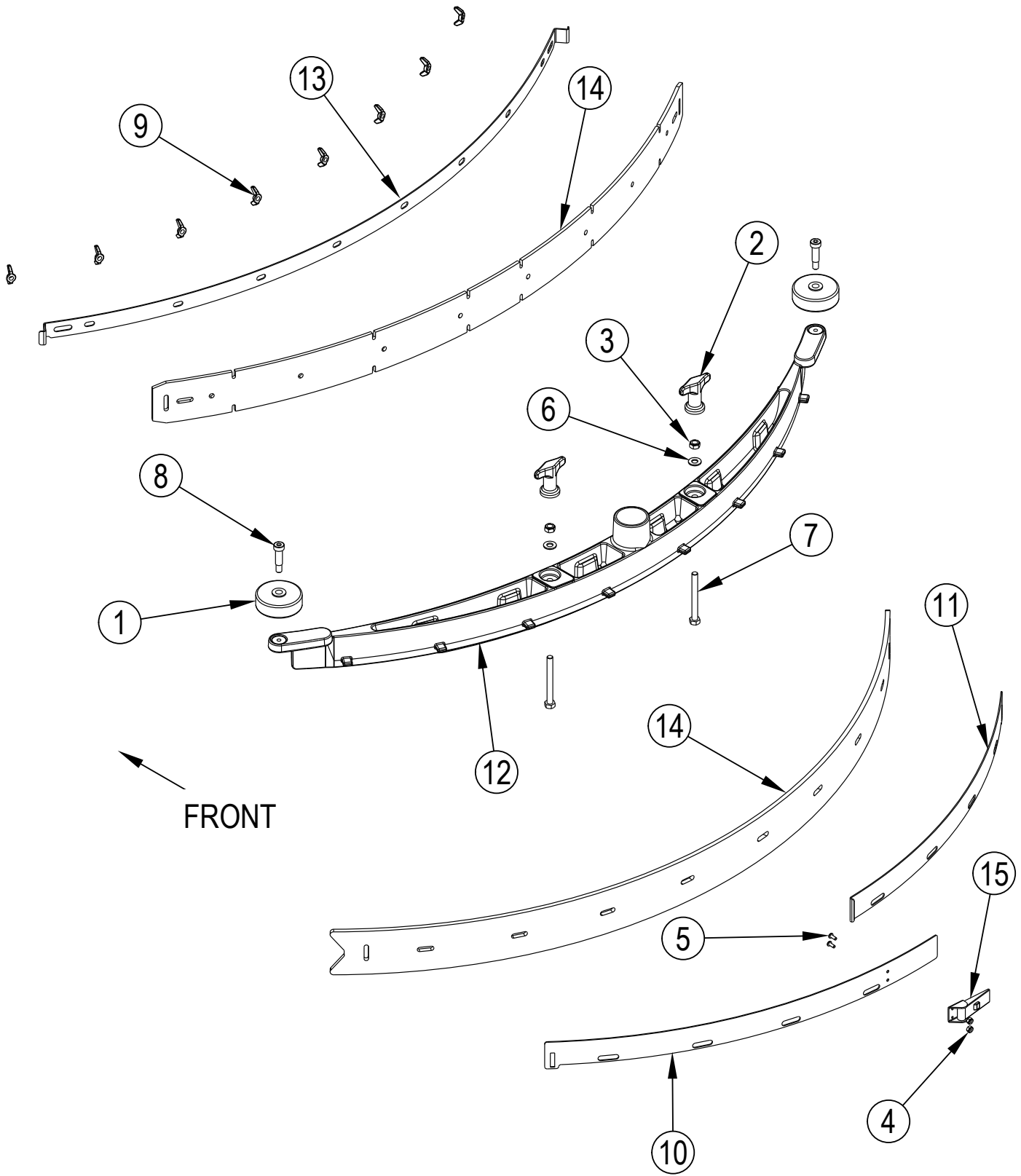
Item	Ref. No.	Qty	Description
	56317098	1	Assembly, Paddle
1	56396197	1	Potentiometer, 100k (R2)
2	56397029	1	Potentiometer, 5k (R1)
3	56002006	2	Wsh, Flt SAE #6
4	56003197	7	Scr, Pan Phil Plastite 6-18 X .62
6	56003527	1	Scr, Pan Phil Plastite 1/4-1 X 2.00
7	56003545	4	Scr, Pan Phil Plastite 8-10 X .75
8	56009030	2	Scr, Pan Phil Thd Form 10-24 X .38
9	56009096	1	Wsh, Flt .193 X .875 X .060
10	56009287	1	Scr, Pan Phil Type B 8 X 2.00
11	56109716	1	Paddle, Back Cover
12	56315230	1	Paddle, Front Cover
13	56315251	1	Weldment, Handle Bar
14	56315280	1	Knob
15	56317112	1	Harness, Handle
16	56325654	2	Spring, Compression
17	56397015	1	Cam Controller
18	56397109	1	Sleeve
19	56397170	3	Washer, Plastic
20	56397171	2	Clamp
21	56109648	1	Potentiometer Fork
22	56478246	1	Tie, Cable
23	56481890	2	Clamp, P

SQUEEGEE ASSY
AquaPLUS™, AquaPLUS™ AXP, Adphibian™

07-4

20

09-8



Item	Ref. No.	Qty	Description
	56315290	1	Squeegee Assembly "C" NOTE 2 (Only used on Adphibian)
1	56324350	2	Wheel
2	56370711	2	Nut, Thumb
3	56002851	2	Nut, Hex Nyl Loc-Thin SS 5/16-18
4	56002907	2	Nut, Hex Nyl Loc SS 6-32
5	56002909	2	Scr, Pan Phil SS 6-32x.38
6	56002938	2	Wsh, Flt SAE SS 5/16
7	56003736	2	Scr, Hex Thd to Hd SS 5/16-18 x 3.00
8	56003472	2	Scr, Soc Shd .38 X 1.00 X 5/16-18
9	56009111	6	Nut, Wing SS 1/4-20
10	56109664	1	Strap-Left Rear "C" NOTE 2 / TSBUS2009-1037
11	56109665	1	Strap-Right Rear "C" NOTE 2 / TSBUS2009-1037
12	56314325	1	Squeegee Tool, Cast "C" TSBUS2008-998
13	56314322	1	Strap, Front "C"
14	56315348	1	Squeegee Blade kit NOTE 1
15	56471194	1	Latch Assembly TSBUS2009-1037
Squeegee Blade Kits			
	56315348	1	Kit, Gum Rubber Squeegee Blade NOTE 1
*	56315352	1	Kit, Red Gum Rubber Squeegee Blade NOTE 1
*	56315855	1	Kit, Squeegee Blade PU C NOTE 1

* = Optional, Not Included

NOTE 1: All squeegee blade kits include both front and rear squeegee blades.

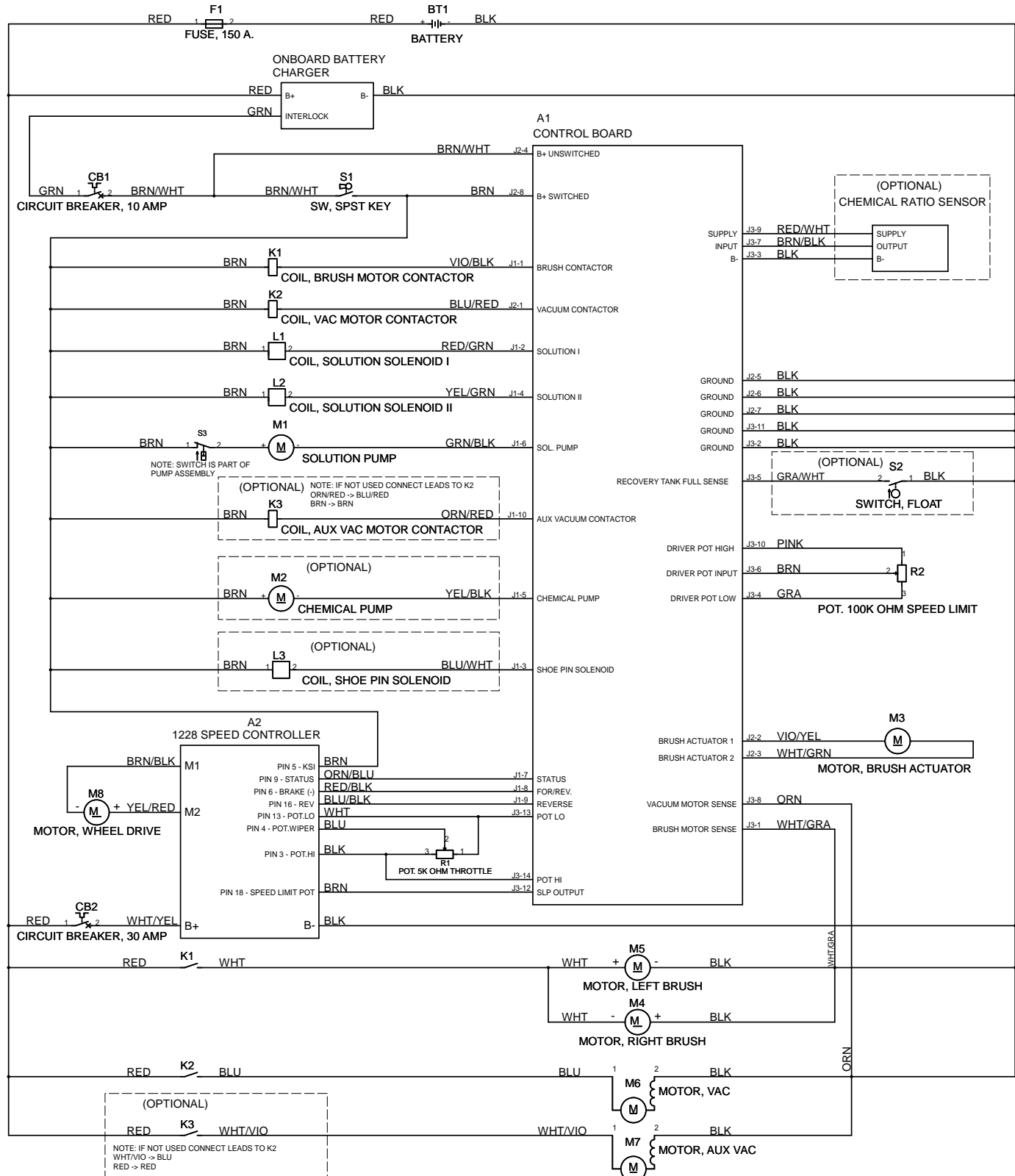
NOTE 2: To replace all squeegee straps as a set order 56109666-Strap Kit-C
This kit includes both rear straps, front strap and the latch.

LADDER DIAGRAM

AquaPLUS™, AquaPLUS™ AXP, Adphibian™

07-4

07-9



Item	Ref. No.	Qty	Description
A1	56317111	1	Control Panel Assy NOTE 2
	56317107	1	Control Panel Assy NOTE 3
A2	56317102	1	Speed Control
BT1	NA	4	Battery (see "Optional Kits & Accessories" page)
CB1	56507644	1	Circuit Breaker, 10 Amp
CB2	56315256	1	Circuit Breaker, 30 Amp
F1	56412089	1	Fuse, 150 Amp
K1	56317116	1	Contactora, Brush Motor TSBUS2008-1020
K2	56317101	1	Contactora, Vac Motor
K3	56317101	1	Contactora, Aux Vac Motor NOTE 3
L1	56317024	1	Solenoid 1, Solution
L2	56317024	1	Solenoid 2, Solution
M1	56317045	1	Pump, Solution
M2	56315241	1	Pump, Chemical NOTE 4
M3	56317161	1	Lift Actuator Assembly TSBUS2008-997
M4	56315061	1	Motor, 24 Vdc, .5 Hp, 1800 RPM (Right) TSBUS2010-1058
[]	56412287	1	Brush / Spring Kit (for 56315061) NOTE 5
[]	56380003	1	Brush / Spring Kit (for 56315061) NOTE 5
M5	56315061	1	Motor, 24 Vdc, .5 Hp, 1800 RPM (Left) TSBUS2010-1058
[]	56412287	1	Brush / Spring Kit (for 56315061) NOTE 5
[]	56380003	1	Brush / Spring Kit (for 56315061) NOTE 5
M6	56317025	1	Motor, Vac 24vdc
[]	56397098	1	Carbon Brush set of 2 (for 56317025)
M7	56317025	1	Motor, Vac 24vdc
[]	56397098	1	Carbon Brush set of 2 (for 56317025)
M8	56315062	1	Transaxle, 24V
[]	56315377	1	Motor (for 56315062)
[]	56315378	4	Carbon Brush (for 56315062)
[]	56315379	2	Neoprene Mounting Sleeve (for 56315062)
R1	56397029	1	Potentiometer, 5K Ohm, Throttle
R2	56396197	1	Potentiometer, 100K Ohm, Speed Limit
S1	56303553	1	Key Switch Assembly
[]	56303526	A/R	Set of 2 Replacement Keys
S2	56315096	1	Switch, Float NOTE 1
S3	N/A	1	Switch (part of M7)
[]	56315773	1	Charger, Onboard 24V (Onboard Charger Models Only) TSBUS2007-979 / TSBUS2008-984
[]	56315747	1	Thermistor Repair Kit for 56315773
[]	56315340	1	Chemical Ratio Sensor (AXP Models Only)
[]	56317109	1	Harness, Main
[]	56317115	1	Harness, Scrub Deck Ground
[]	56416445	3	Cable Assy 4 AWG (Battery Cables)
[]	56372673	8	Boot, Battery Post
[]	56478523	2	Tie, Cable
[]	56478246	9	Tie, Cable
[]	56314119	1	Spacer, Battery

[] = Not Shown

NOTE 1: Float Switch 56315096 is optional on the AquaPLUS models and standard on the Adphibian.

NOTE 2: Only used on AquaPLUS & AquaPLUS AXP

NOTE 3: Only used on Adphibian

NOTE 4: Only used on AquaPLUS AXP, Adphibian

NOTE 5: If your cylindrical scrub motor has a serial tag from Scott Motors Co. (4BB1344) order Carbon Brush Set 56412287.
If your cylindrical scrub motor has a serial tag from Nilfisk-Advance (ZD22000) order Carbon Brush Set 56380003.

OPTIONAL KITS AND ACCESSORIES

07-4

24

AquaPLUS™, AquaPLUS™ AXP, Adphibian™

11-10

Ref. No. Qty Description

Common Kits

- * 56317136 1 Kit, Scrub & Vac Tool W/Caddy
- * 56317117 A/R Panel Assy **NOTE 2**
- * 56315732 1 QuiQ Programmer Kit **TSBUS2007-979**

Replacement parts for the kits listed above can be found on each kit's associated instruction sheet.

Squeegee Kits

- 56315348 1 Kit, Gum Rubber Squeegee Blade **NOTE 3**
- * 56315352 1 Kit, Red Gum Rubber Squeegee Blade **NOTE 3**
- * 56315855 1 Kit, Squeegee Blade PU C **NOTE 3**
- * 56109666 1 Strap Kit-C

Scrub Brushes

- * 56314389 2 Soft Nylon
- * 56314390 2 Hard Nylon
- * 56314391 2 Prolene
- * 56314392 2 180 Midlite
- * 56314393 2 80 DynaGrit
- * 56314394 2 46 MagnaGrit
- * 56317047 2 Multi-Surface

Accessories

- * 56397453 6 Indicator, Battery Level **(1 per battery)**
- * 56262209 A/R Light Duty Soft Floor Drag Wand
- * 56265305 A/R Heavy Duty Soft Floor Drag Wand
- * 56220109 A/R Upholstery Tool Assy
- * 56220070 A/R Upholstery Tool Assy
- * 56265368 A/R Hose Assy, 8 FT
- * 56265174 A/R Hose Assy, 15 FT
- * 56317153 1 Kit, Float Switch **NOTE 1**
- * 56317114 A/R Panel Assy **NOTE 1**
- * 56315316 A/R Tote Bag
- * 56409441 A/R Programmer, 1307 User
- * 56409823 A/R Programmer Cable
- * 56044397 1 Literature Pack (AquaPlus)
- * 56044411 1 Literature Pack (Adphibian)

[] = Not Shown

* = Optional, Not Included

NOTE 1: Only used on AquaPLUS & AquaPLUS AXP

NOTE 2: Only used on Adphibian

NOTE 3: All squeegee blade kits include both front and rear squeegee blades.

We provide brushes and pad holders that will give you the best possible performance between machine and floor. Following are descriptions of the materials and their applications.

Soft Nylon Brush:	Least aggressive brush available. Used on soft-finish floors where a more aggressive brush would leave scratch marks, or in applications requiring very light cleaning.
Hard Nylon Brush:	Cleaning action similar to polypropylene. More durable and wear-resistant than polypropylene.
Polypropylene Brush:	Standard for carpet only models. Low cost, yet effective cleaning for carpeted areas and many common floor surfaces.
180 Grit Brush:	Least aggressive grit brush. Used for daily cleaning of hard-finished floors.
80 Grit Brush:	Medium aggressive grit brush. Good all-around brush for medium to heavy buildup removal. Can also be used for general stripping operations.
46 Grit Brush:	Most aggressive grit brush. Used primarily to clean heavy buildup on concrete floors in factories, or for heavy stripping of finish.
Multi-Surpose:	Standard for multi-surface models. Anti microbial brush designed for all flooring surfaces.

BRUSHES

56314389 - Soft Nylon
 56314390 - Hard Nylon
 56314391 - Prolene
 56314392 - 180 Grit
 56314393 - 80 Grit
 56314394 - 46 Grit
 56317047 - Multi-Surface

CYLINDRICAL BRUSH APPLICATION GUIDE (SUGGESTION ONLY)

Application	46 Grit	80 Grit	180 Grit	Polypro- pylene	Stiff Nylon	Soft Nylon	Multi Surface
Stripping:							
Concrete	X	X					
Terrazzo	X	X					
Ceramic/Quarry tile		X					
Vinyl tile		X					
General Scrubbing:							
Concrete	X	X	X	X	X		
Terrazzo			X	X	X	X	X
Ceramic/Quarry tile			X	X	X	X	X
Marble			X		X	X	X
Vinyl tile			X	X	X	X	X
Raised-rubber tile			X			X	X
Extraction:							
Carpet				X		X	X

SQUEEGEE BLADE SELECTOR GUIDE

07-4

26

AquaPLUS™, AquaPLUS™ AXP, Adphibian™

11-3

Gum Rubber: Provides superior wiping action on tile, terrazzo, and polished floors.

Red Gum Rubber: Provides longest life on finished or unfinished concrete floors.

Polyurethane: Oil resistance provides superior life in applications with oily floors.

SQUEEGEE BLADE APPLICATION GUIDE(SUGGESTION ONLY)

Performance Traits	Gum Rubber (Natural Rubber)	Red Gum Rubber (Natural Rubber)	Polyurethane/ Pentathane
Resilience	X		X
Tear Strength	X		X
Abrasion Resistance	X	X	X
Wear Resistance		X	X
Low Temp Flexibility	X	X	
High Temp Flexibility	X		X
Ozone Resistance			
Chemical Resistance			X
Applications			
Oil Resistant Applications			X
General Purpose	X	X	X
Hot Water Applications		X	X
Chemical Applications			X
Color	Tan	Red	Translucent



Nilfisk-Advance Equipamentos de Limpeza Ltda.
Av. Dep. Emílio Carlos, 2.499 - Bairro do Limão - 02721-200
São Paulo - SP - Brasil
www.nilfisk-advance.ind.br
www.plataforma.ind.br
Tel.: (11) 3959-0300
Fax: (11) 3959-0306
©2012 Nilfisk-Advance, Inc.



14600 21st Avenue North
Plymouth, MN 55447-3408
www.advance-us.com
Phone: 800-989-2235
Fax: 800-989-6566
©2012 Nilfisk-Advance, Inc.

A Nilfisk-Advance Brand