



Electronic Service Manuals

This electronic document is provided as a service to our customers. We do not create the contents of the information contained in this document. Should you have detailed questions pertaining to the information contained in this document, you may contact Michco, or the manufacturer which provided the original information in this electronic deliverable. Michco's only part in this electronic deliverable was the electronic assembly process. By providing this manual on line we are not guaranteeing parts availability.

You may contact Michco through the following methods:

Phone (517) 484-9312 or (800) 331-3339

2011 N. High St. -- Lansing, Michigan -- 48906

Fax: (517) 484-9836

Email: CustServe@Michco.com

Web site: www.Michco.Com

Parts Web site: www.FloorMachineParts.Com

Order Parts on Line at:

www.FloorMachineParts.Com

Directly to Parts & Service:

By Email: **Shop@Michco.com**

By Fax: (517) 702-2041

By Voice: Use numbers above.

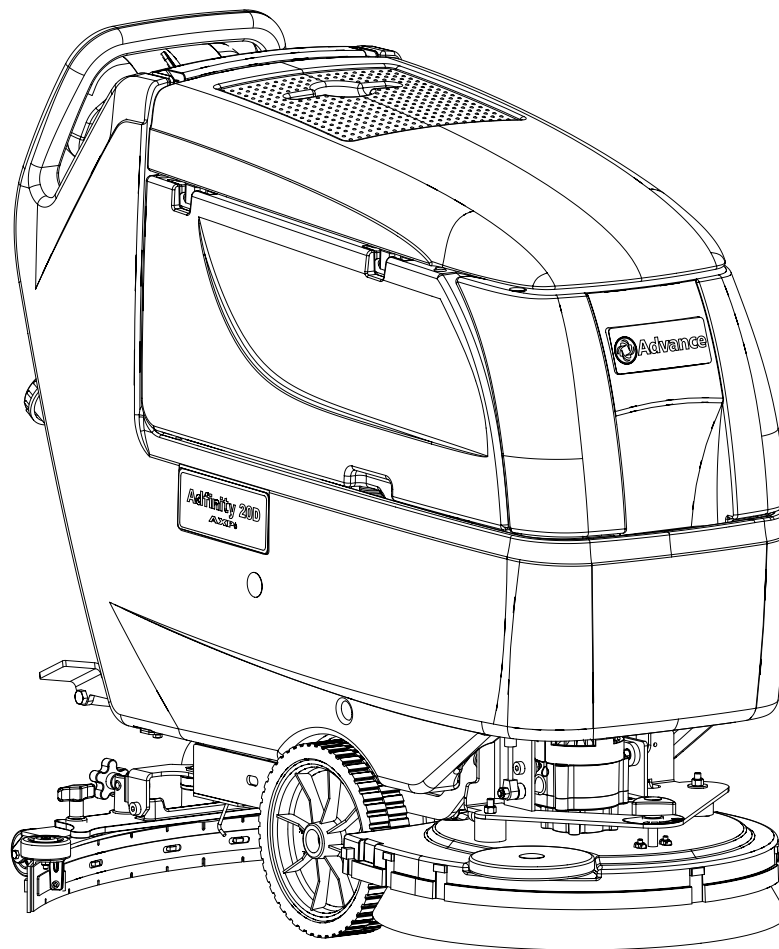
Serving the Cleaning Industry Since 1922

Notice: All copyrighted material remains property of original owners, all trademarks are property of respective owners. Manuals are subject to Manufacturer's reproduction limitations. Originals or reproductions were provided by manufacturers through a request. We make no warranty as to the correctness of information provided in this document and you assume all risk. By placing these manuals on line we are not declaring our corporation to be an manufacturer authorized dealer or provider, please check our web site for authorized manufacturers we represent.

Adfinity™

20D / X20D / X20C / X24D

AXP 



PARTS LIST

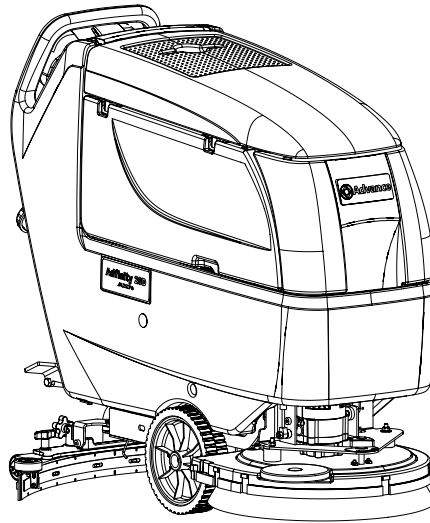
Advance models: 908 7163 020
908 7164 020
908 7165 020
908 7166 020



Advance

by Nilfisk-Advance

9096911000(2)2007-09



DESCRIPTION

PLAN

GENERAL VIEW	2 - 3
SOLUTION TANK	4 - 5
RECOVERY TANK	6 - 7
CHASSIS SYSTEM	8 - 9
WHEELS AND TRACTION	10 - 11
HANDLE ASSEMBLY	12 - 13
SOLUTION SYSTEM	14 - 15
AXP - ECO DOSAGE SOLUTION	16 - 17
SQUEEGEE SYSTEM ADFINITY™ 20D / X20D / X20C	18 - 19
SQUEEGEE SYSTEM ADFINITY™ X24D	20 - 21
BRUSH SYSTEM ADFINITY™ 20D / X20D	22 - 23
SPLASH GUARD	24 - 25
BRUSH SYSTEM ADFINITY™ X20C	26 - 27
BRUSH SYSTEM ADFINITY™ X24D	28 - 29
ACCESSORIES	30 - 31
CONTROL PANEL SYSTEM	32 - 33
ELECTRICAL COMPONENTS	34 - 35
WIRING DIAGRAM	36
RECOMMENDED SPARE PARTS	37 - 40
OPTIONALS	41

WHEN ORDERING PARTS

- * Use the 8, 9 or 10 digit numbers from the "Ref. No." columns in this parts list.
- * Specify the model and serial number of the machine.
- * Use the space below to record the model and serial number for future reference.

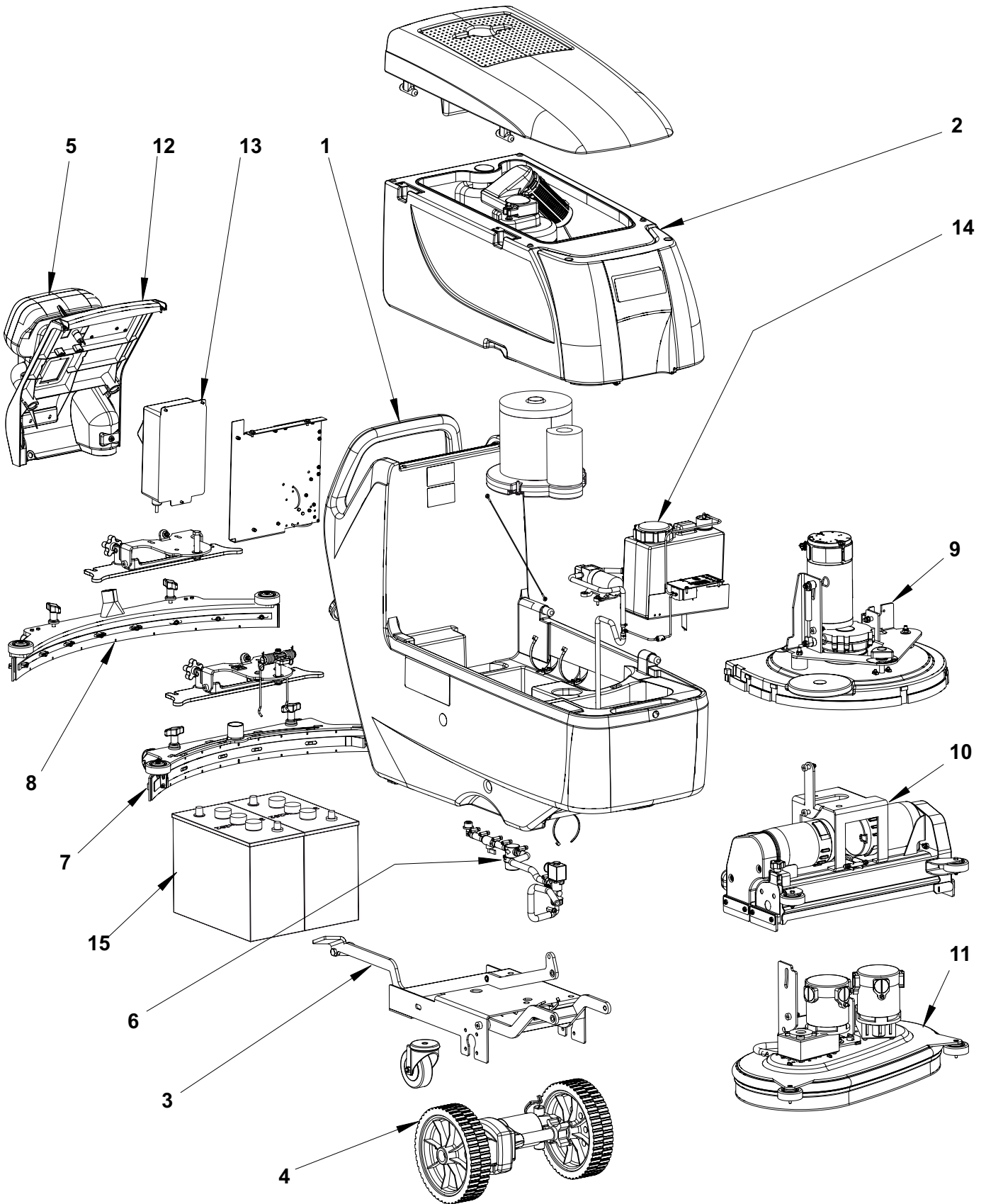
Model _____ Serial No. _____

*** = Optional**

= Modified item No. or New item No.

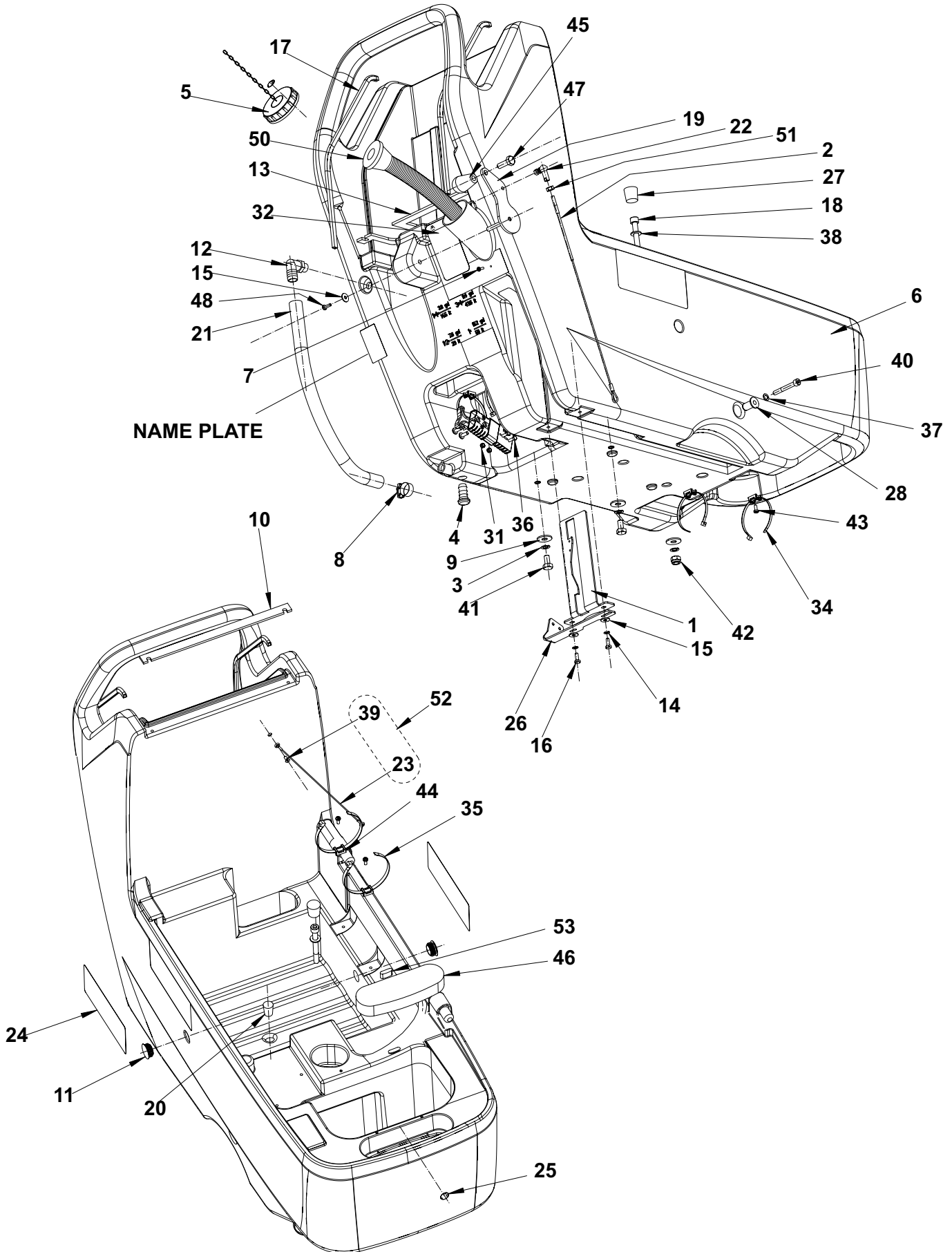
[] = Not shown

xxxxxx = Contained in a Kit



Item No.	Ref. No.	Qty	Description
1		1	SOLUTION TANK
2		1	RECOVERY TANK
3		1	CHASSIS SYSTEM
4		1	WHEELS AND TRACTION ADFINITY™
5		1	HANDLE ASSEMBLY
6		1	SOLUTION SYSTEM
7		1	SQUEEGEE SYSTEM ADFINITY™ 20D / X20D / X20C
8		1	SQUEEGEE SYSTEM ADFINITY™ X24D
9		1	BRUSH SYSTEM ADFINITY™ 20D / X20D
10		1	CYL. BRUSHES SYSTEM ADFINITY™ X20C
11		1	BRUSHES SYSTEM ADFINITY™ X24D
12		1	CONTROL PANEL SYSTEM
13		1	ELECTRICAL COMPONENTS
14A		1	AXP - ECO DOSAGE SYSTEM
15		1	BATTERY ASSEMBLY

A : ONLY FOR ADFINITY™ X20D / X20C / X24D



2007-01

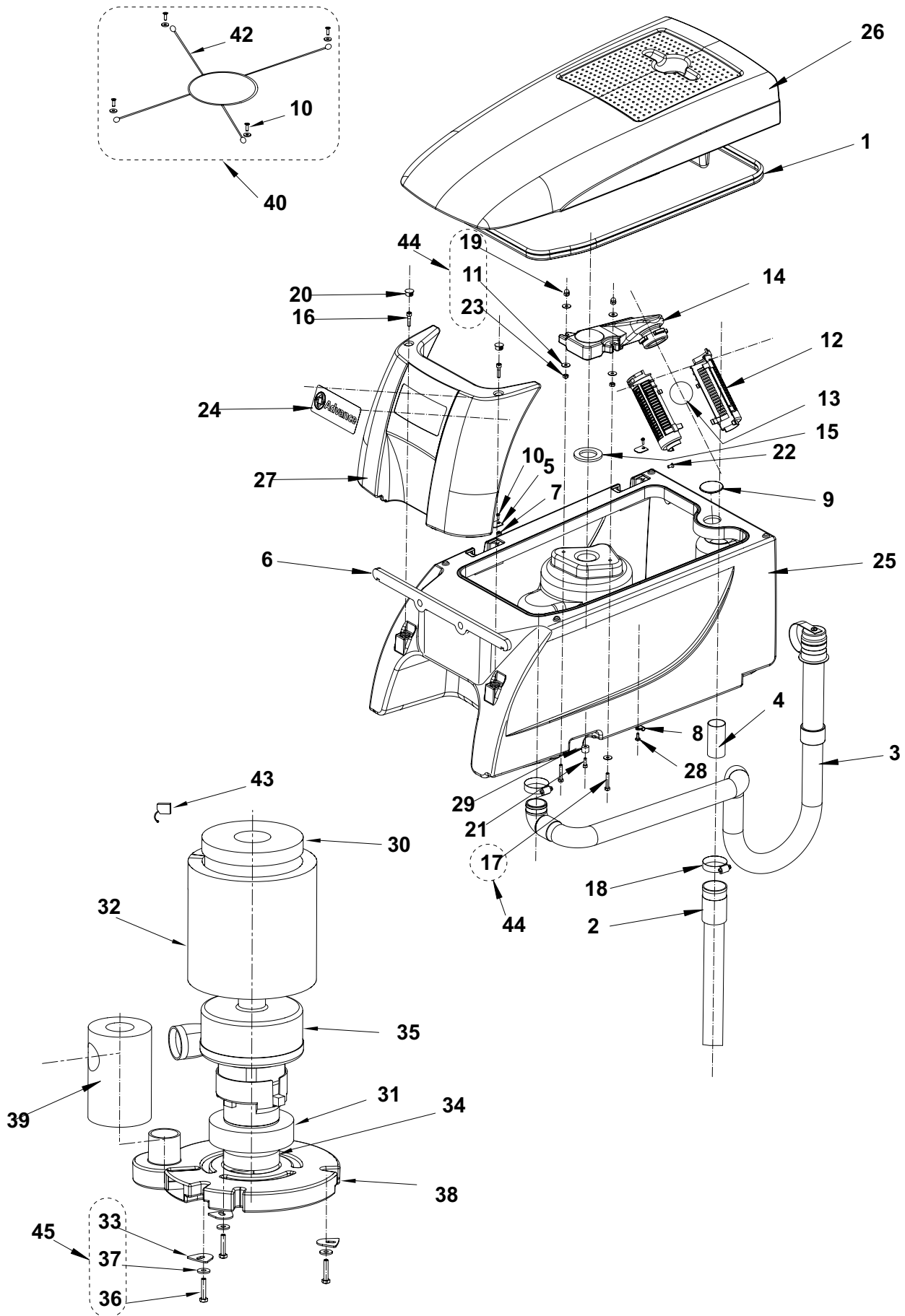
SOLUTION TANK

2007-09

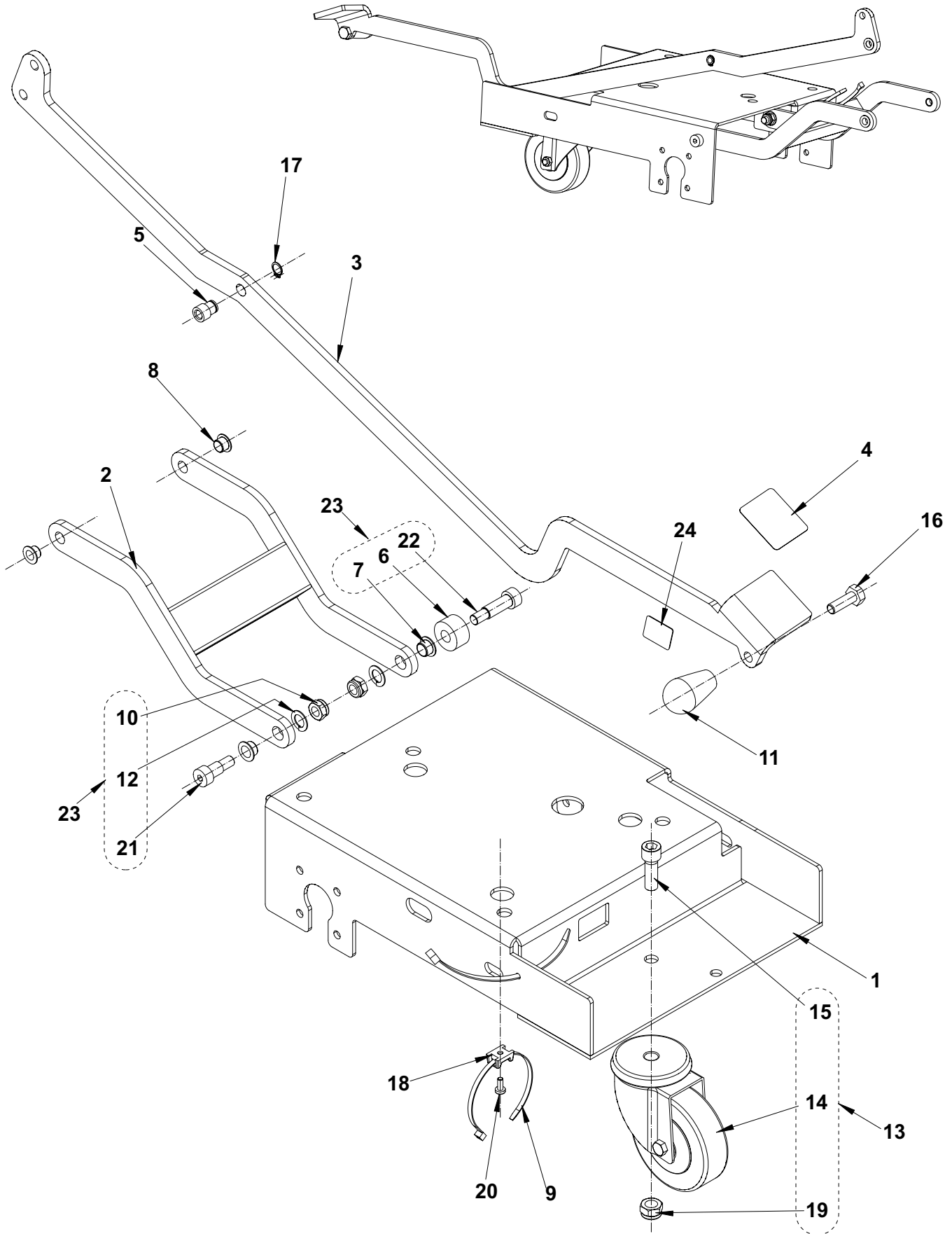
Adfinity™ 20D / X20D / X20C / X24D

5

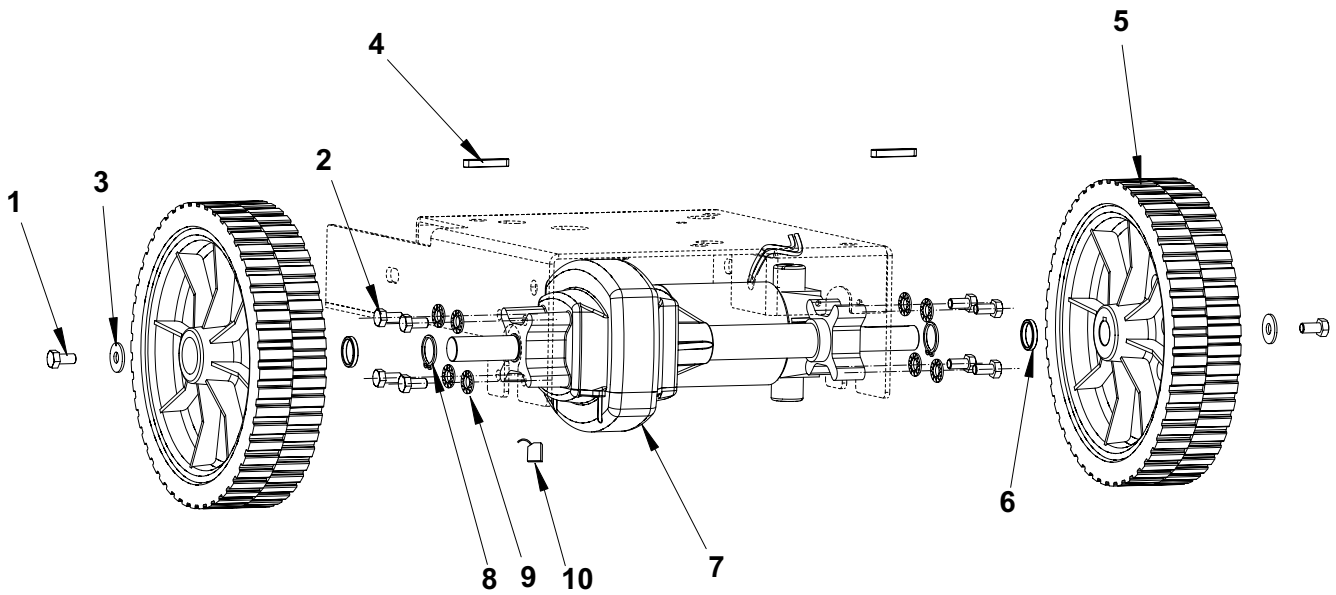
Item No.	Ref. No.	Qty	Description
1	909 6493 000	1	PEDAL SUPPORT
2	909 6534 000	1	SQUEEGEE LIFTING CABLE
3	xxxxxxxxxx	3	WASHER (SEE HARDWARE TANK SYSTEM KIT)
4	9097003000	1	PLUG (ONLY FOR ADFINITY™ X20D - X20C - X24D)
5	909 6554 000	1	SOLUTION CAP WITH CHAIN AND GASKET
6	909 6048 000	1	SOLUTION TANK
7	xxxxxxxxxx	1	SCREW CYL. HD 4X14 THD (SEE HARDWARE TANK SYSTEM KIT)
8#	L08603916	1	CLAMP
9	xxxxxxxxxx	3	WASHER FLAT 10X30 SS (SEE HARDWARE TANK SYSTEM KIT)
10	909 6596 000	1	GASKET
11#	L08812457	2	TANK LOCKING CAP
12	56264442	1	FITTING PIPE
13	909 6597 000	1	GASKET
14#	xxxxxxxxxx	3	WASHER SPLIT 6 (SEE HARDWARE TANK SYSTEM KIT)
15#	xxxxxxxxxx	3	WASHER FLAT 6X18 UNI6592(SEE HARDWARE TANK SYSTEM KIT)
16	xxxxxxxxxx	2	SCREW HEX. HD M6X16 (SEE HARDWARE TANK SYSTEM KIT)
17#	909 6892 000	1	GASKET L=960MM
18	xxxxxxxxxx	1	SCREW M10X90 (SEE HARDWARE TANK SYSTEM KIT)
19	909 6633 000	1	SQUEEGEE LIFTING LEVER
20	909 6236 000	1	BLACK CAP
21	909 6521 000	1	SOLUTION HOSE
22	145 8479 000	1	DOWEL M6
23	xxxxxxxxxx	1	CABLE TANK BLOCK (SEE CABLE TANK KIT)
24	909 6866 000	2	DECAL ADFINITY™ 20D
24	909 6867 000	2	DECAL ADFINITY™ X20D
24	909 6868 000	2	DECAL ADFINITY™ X20C
24	909 6869 000	2	DECAL ADFINITY™ X24D
25#	L08603795	2	DECAL WATER FAUCET
26	909 6649 000	1	BRACKET CONNECTOR SUPPORT
27	909 6673 000	1	CAP
28	xxxxxxxxxx	1	BUSHING (SEE HARDWARE TANK SYSTEM KIT)
31	xxxxxxxxxx	2	NUT HEX SELF LOCK M5 (SEE HARDWARE TANK SYSTEM KIT)
32#	L08603805	1	DECAL WARNING
34	145 0524 000	4	CLAMP
35	145 0541 000	2	CLAMP
36	33003964	2	SCREW HEX HD M5X25
37	xxxxxxxxxx	1	WASHER SPLIT 8 (SEE HARDWARE TANK SYSTEM KIT)
38	xxxxxxxxxx	1	WASHER FLAT (SEE HARDWARE TANK SYSTEM KIT)
39#	xxxxxxxxxx	1	SCREW M5X12 UNI7688 (SEE CABLE TANK KIT)
40	xxxxxxxxxx	1	SCREW M8X60 (SEE HARDWARE TANK SYSTEM KIT)
41	xxxxxxxxxx	2	SCREW HEX HD M10X20 SS (SEE HARDWARE TANK SYSTEM KIT)
42#	xxxxxxxxxx	1	NUT SELF L. M10 UNI7473(SEE HARDWARE TANK SYSTEM KIT)
43	909 6337 000	6	SCREW CYL HD M5X12
44	909 6595 000	6	FLAT TIE HOLDER
45	909 6621 000	1	KNOB
46	909 6671 000	1	SPONGE FRESH WATER INLET
47#	9097211000	1	SCREW M10X30 ISO7380
48	xxxxxxxxxx	1	SCREW CYL HD M5X16 (SEE HARDWARE TANK SYSTEM KIT)
50*	909 5327 000	1	FILLING HOSE
51	33005502	1	NUT HEX M6
52	909 6874 000	1	CABLE TANK KIT (23,39)
53#	9096921000	1	PLUG ANTISPLASH
[54]#	909 6875 000	1	HARDWARE TANK SYSTEM KIT (3,7,9,14,15,16,18,28,31,37,38,40,41,42,48)



Item No.	Ref. No.	Qty	Description
1	146 0741 000	1	COVER TANK GASKET
2	909 6230 000	1	HOSE SQUEEGEE VACUUM
3	909 6528 000	1	DRAIN HOSE
4	909 6640 000	1	ANTI SPLASH SQUEEGEE HOSE
5	909 6643 000	2	PLATE TANK COVER
6	9097044000	1	GASKET, PANEL RECOVERY TANK
7	909 6679 000	1	BUSHING
8#	L08603845	1	CLAMP
9	909 6899 000	1	CAP FOR TANK COVER
10#	L08603668	6	SCREW 4X14 (SEE RUBBER BAND KIT)
11	xxxxxxxxxx	6	WASHER FLAT 6X18 SS (SEE HARDWARE TANK SYSTEM KIT)
12	56324497	2	CAGE, FLOAT COMPLETE
13	56391690	1	FLOATING BALL
14#	L08812926	1	SUPPORT, FLAT CAGE
15#	L08812968	1	GASKET
16	33004347	2	SCREW M6X25
17	xxxxxxxxxx	2	SCREW HEX HD M6X40 SS (SEE HARDWARE TANK SYSTEM KIT)
18	145 0543 000	2	CLAMP
19	xxxxxxxxxx	2	BLIND NUT M6 SS (SEE HARDWARE TANK SYSTEM KIT)
20	145 8008 000	2	CAP Ø. 18.2
21	33004328	1	SCREW M5X16
22	33005124	1	SCREW HEX HD 5X12
23	xxxxxxxxxx	2	NUT HEX M6 SS (SEE HARDWARE TANK SYSTEM KIT)
24	909 6872 000	1	RECTANGULAR ADVANCE DECAL
25	909 6049 000	1	RECOVERY TANK 55L
26	909 6050 000	1	TANK COVER 55L
27	909 6224 000	1	PANEL RECOVERY TANK
28	909 6337 000	1	SCREW CYL HD M5X12
29	909 6664 000	1	SPACER D 5,5X15X12
30	909 6489 000	1	GASKET VACUUM MOTOR
31	909 6490 000	1	GASKET VACUUM MOTOR
32	909 6491 000	1	ACOUSTIC INSULATION PANEL
33	xxxxxxxxxx	3	PLATE VACUUM COVER (SEE HARDWARE MOTOR FIXING KIT)
34	909 6672 000	1	FILTER
35	909 6802 000	1	MOTOR VACUUM W/CONNECTOR KIT
36#	xxxxxxxxxx	3	SCREW HEX HD M6X30 (SEE HARDWARE MOTOR FIXING KIT)
37	xxxxxxxxxx	3	WASHER FLAT 6X18 (SEE HARDWARE MOTOR FIXING KIT)
38	909 6051 000	1	VACUUM MOTOR COVER
39	909 6442 000	1	ACOUSTIC INSULATION PIPE
40*	909 6734 000	1	RUBBER BAND KIT (10,42)
42*#	xxxxxxxxxx	1	RUBBER BAND (SEE RUBBER BAND KIT)
43	909 5371 000	2	CARBON BRUSH
44	909 6876 000	1	HARDWARE TANK SYSTEM KIT(11,17,19,23)
45	909 6877 000	1	HARDWARE MOTOR FIXING KIT(33,36,37)



Item No.	Ref. No.	Qty	Description
1	909 6481 000	1	CHASSIS 55 LT
2	909 6486 000	1	LEVER DECK LIFTING
3	909 6487 000	1	PEDAL BRUSH LIFTING
4	909 6539 000	1	ANTISKID MAT
5	909 6540 000	1	BUSH FLANGED
6	xxxxxxxxxx	1	SPACER D 12,2X30X16,5 (SEE HARDWARE CHASSIS FIXING KIT)
7	xxxxxxxxxx	2	BUSH FLANGED (SEE HARDWARE CHASSIS FIXING KIT)
8#	909 6594 000	3	BUSH FLANGED
9	145 0524 000	2	PASSRING
10	xxxxxxxxxx	2	NUT (SEE HARDWARE CHASSIS FIXING KIT)
11	909 6621 000	1	KNOB
12	xxxxxxxxxx	2	WASHER (SEE HARDWARE CHASSIS FIXING KIT)
13	909 6879 000	1	WHEEL CASTOR SS KIT (14,15,19)
14	xxxxxxxxxx	1	WHEEL CASTOR (SEE CASTOR WHEEL SS KIT)
14*	909 6900 000	1	WHEEL CASTOR SS
15	xxxxxxxxxx	1	SCREW M12X35 (SEE CASTOR WHEEL SS KIT)
16	33004010	1	SCREW HEX HD M10X30
17	33006051	1	RETAINING RING
18	909 6595 000	2	FLAT TIE HOLDER
19	xxxxxxxxxx	1	NUT HEX LOW SELF LOCK M12 (SEE CASTOR WHEEL SS KIT)
20	909 6337 000	2	SCREW CYL HD M5X12
21	xxxxxxxxxx	1	SHOULDER BOLT M12X16 (SEE HARDWARE CHASSIS FIXING KIT)
22	xxxxxxxxxx	1	SHOULDER BOLT M12X30 (SEE HARDWARE CHASSIS FIXING KIT)
23	909 6878 000	1	HARDWARE CHASSIS FIXING KIT (6,7,10,12,21,22)
24	909 6742 000	1	DECAL EXTRA PRESSURE



2007-01

WHEELS AND TRACTION

2007-09

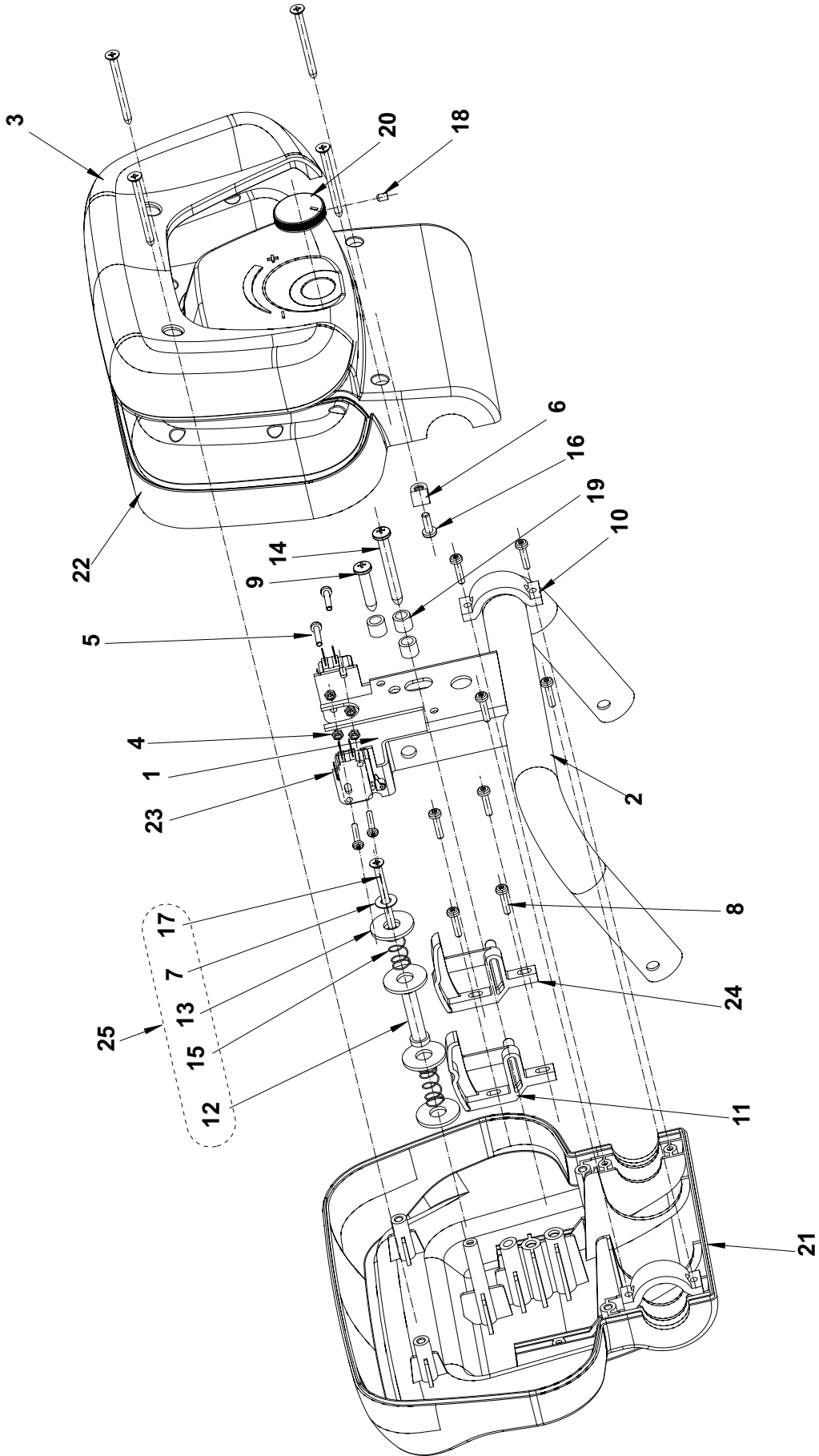
Adfinity™ 20D / X20D / X20C / X24D

11

Item No.	Ref. No.	Qty	Description
1	56325600	2	SCREW HEX HD M8X16
2#	33005444	8	SCREW M8X20 UNI5739
3	56325609	2	WASHER FLAT 8X24
4	146 0769 000	2	KEY
5	909 6863 000	2	WHEEL FRONT D.250 DRIVE
5*#	9097026000	2	WHEEL FRONT D.250 DRIVE 65SH
6	909 6506 000	2	SPACER 20,5X25X5
7	909 6548 000	1	MOTOR DRIVE 24V 200W
8	33006059	2	SEEGER
9	145 9126 000	8	WASHER M8
10	145 5124 000	2	CARBON BRUSH

12

Adfinity™ 20D / X20D / X20C / X24D



2007-01

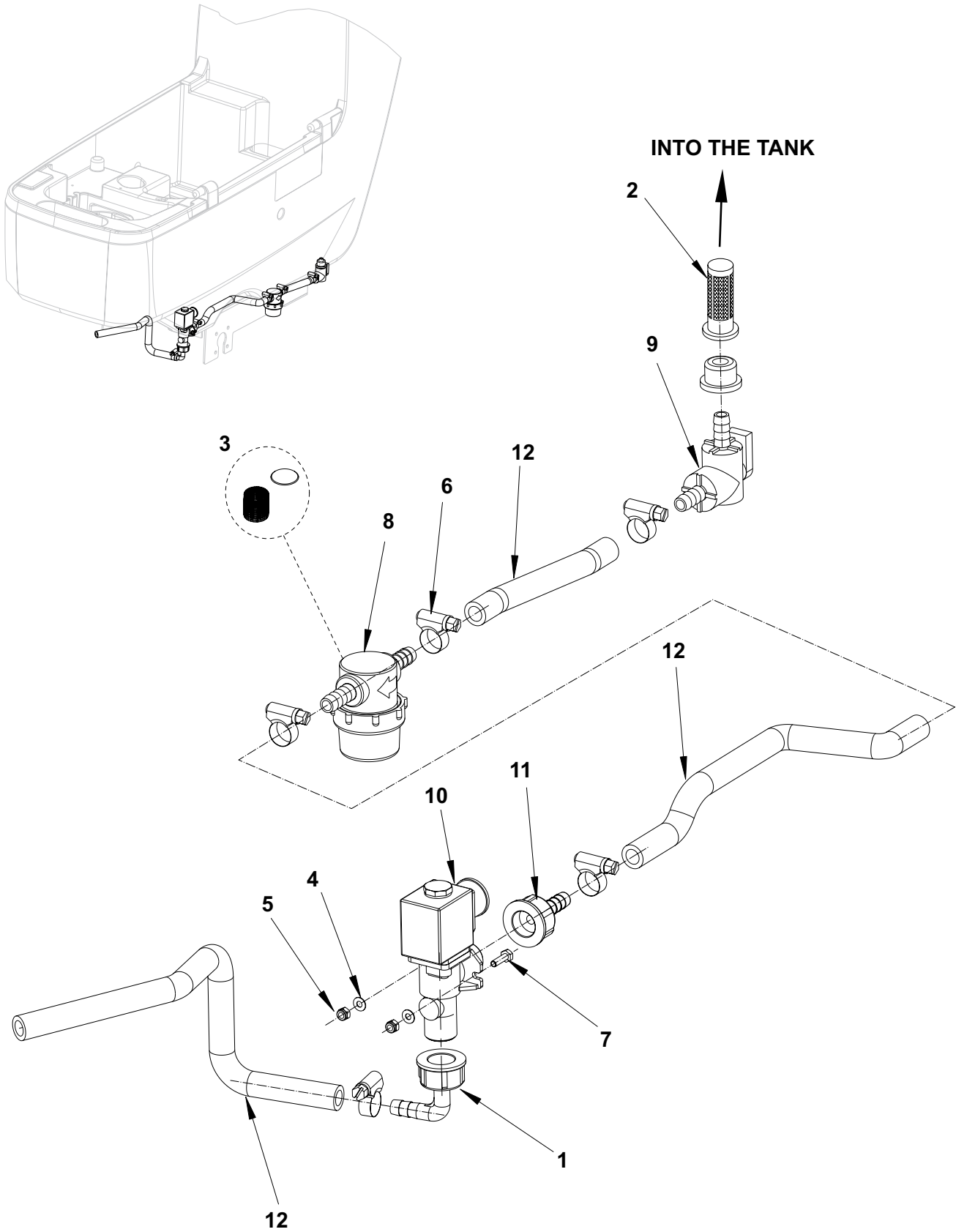
HANDLE ASSEMBLY

2007-09

Adfinity™ 20D / X20D / X20C / X24D

13

Item No.	Ref. No.	Qty	Description
1	9096907000	1	HANDLE HARNESS
2	909 6059 000	1	HANDLE BAR
3	909 6239 000	1	RUBBER COVER
4	33005499	4	NUT HEX M3
5#	L08093600	4	SCREW CYL HD 3X16
6#	L08239900	1	CLAMP
7	xxxxxxxxxx	1	WASHER FLAT 6X12,5 (SEE HARDWARE HANDLE FIXING KIT)
8	56325661	8	SCREW CYL HD THD FORM 3,6X16
9#	L08603377	1	SCREW 6X25
10	56325662	2	CLAMP
11	56325664	1	CAM HANDLE MICROSWITCH
12	xxxxxxxxxx	1	SPACER (SEE HARDWARE HANDLE FIXING KIT)
13	xxxxxxxxxx	4	WASHER FLAT NYLON 9X25 (SEE HARDWARE HANDLE FIXING KIT)
14	56325660	1	SCREW 6X50 THD FORM
15	xxxxxxxxxx	2	DRIVE CONTROL SPRING (SEE HARDWARE HANDLE FIXING KIT)
16	56325528	1	SCREW 4,2X12 THD FORMING
17	xxxxxxxxxx	5	SCREW 4,2X50 THD FORM (SEE HARDWARE HANDLE FIXING KIT)
18	146 0621 000	1	DOWEL
19	145 1330 000	3	SPACER
20	909 6471 000	1	POTENTIOMETER KNOB
21	909 6237 000	1	SWITCH HOUSING REAR
22	909 6238 000	1	SWITCH HOUSING FRONT
23	909 6677 000	2	MICROSWITCH
24	9096923000	1	CAM HANDLE MICROSWITCH
25	909 6881 000	1	HARDWARE HANDLE FIXING KIT (7,12,13,15,17)
[26]	909 6544 000	1	SPEED POTENTIOMETER HARNESS



2007-01

SOLUTION SYSTEM

2007-09

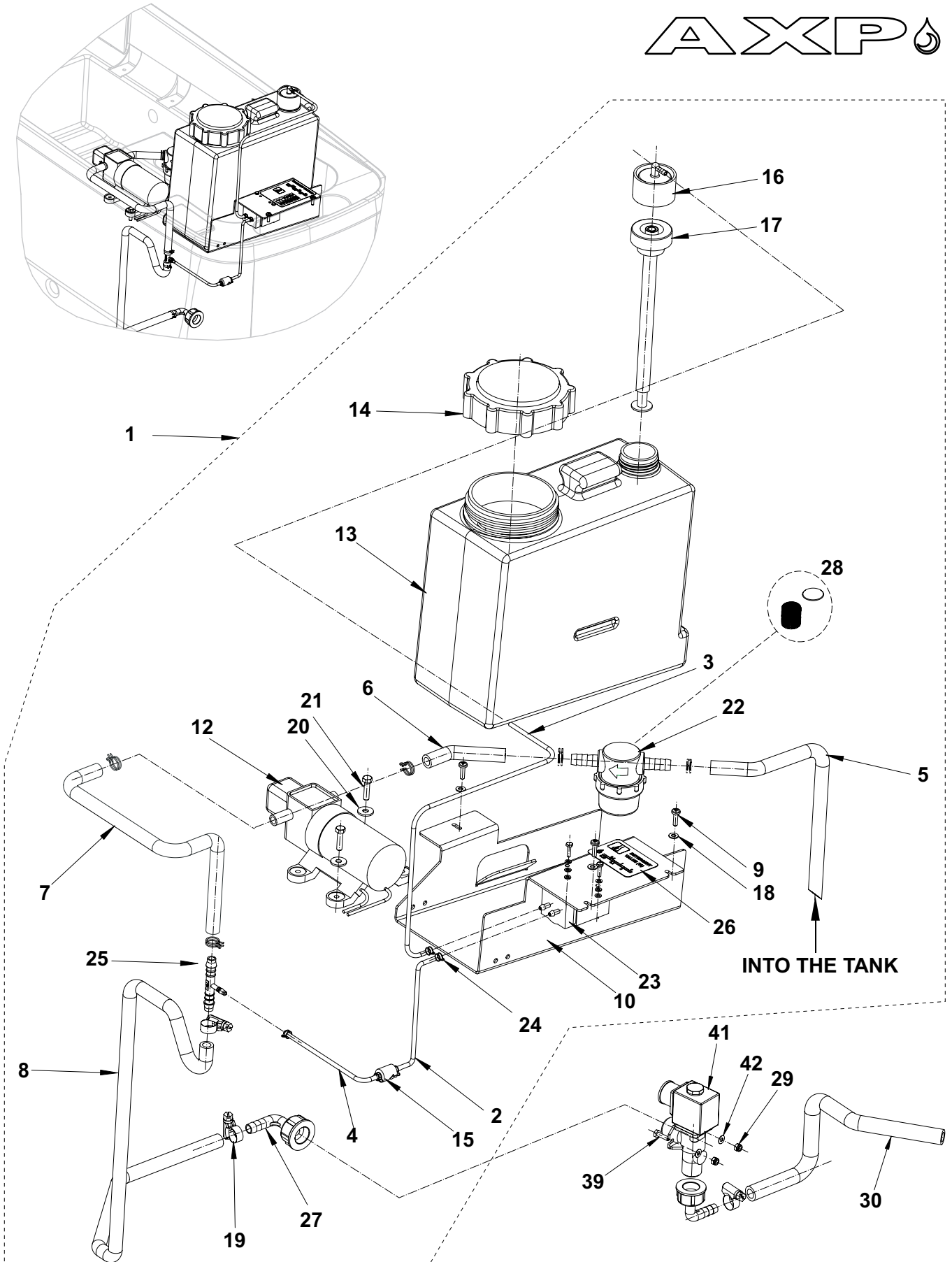
Adfinity™ 20D

15

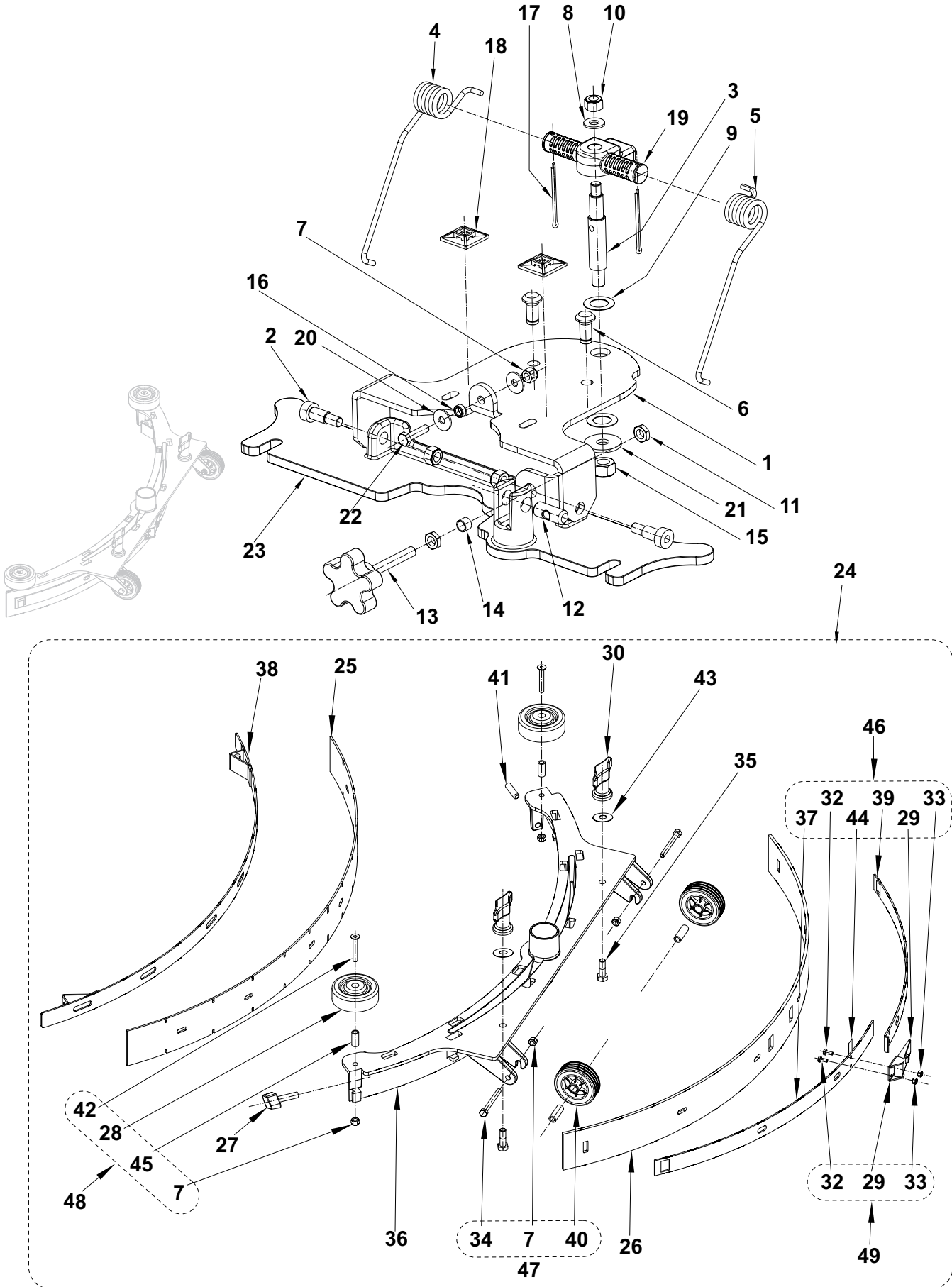
Item No.	Ref. No.	Qty	Description
1	909 6637 000	1	HOLDER RUBBER 90°
2*	9096916000	1	FILTER, SOLUTION TANK
3#	L08603893	1	NET FILTER WITH GASKET KIT
4	56325716	2	WASHER FLAT 4X9 SS
5#	L08603685	2	NUT HEX SELF LOCK M4 SS
6	145 8582 000	5	CLAMP
7	146 0497 000	2	SCREW HEX HD M4X14 SS
8#A	9097166000	1	FILTER COMPLETE KIT
9	9096994000	1	VALVE ELBOW (SEE VALVE ELBOW WITH PIPES KIT)
10	909 6555 000	1	SOLENOID VALVE 24V
11	909 6636 000	1	ELBOW T REDUCING
12#B	9096996000	1	VALVE ELBOW WITH PIPES KIT (9)

A: TSB IT 2007-021

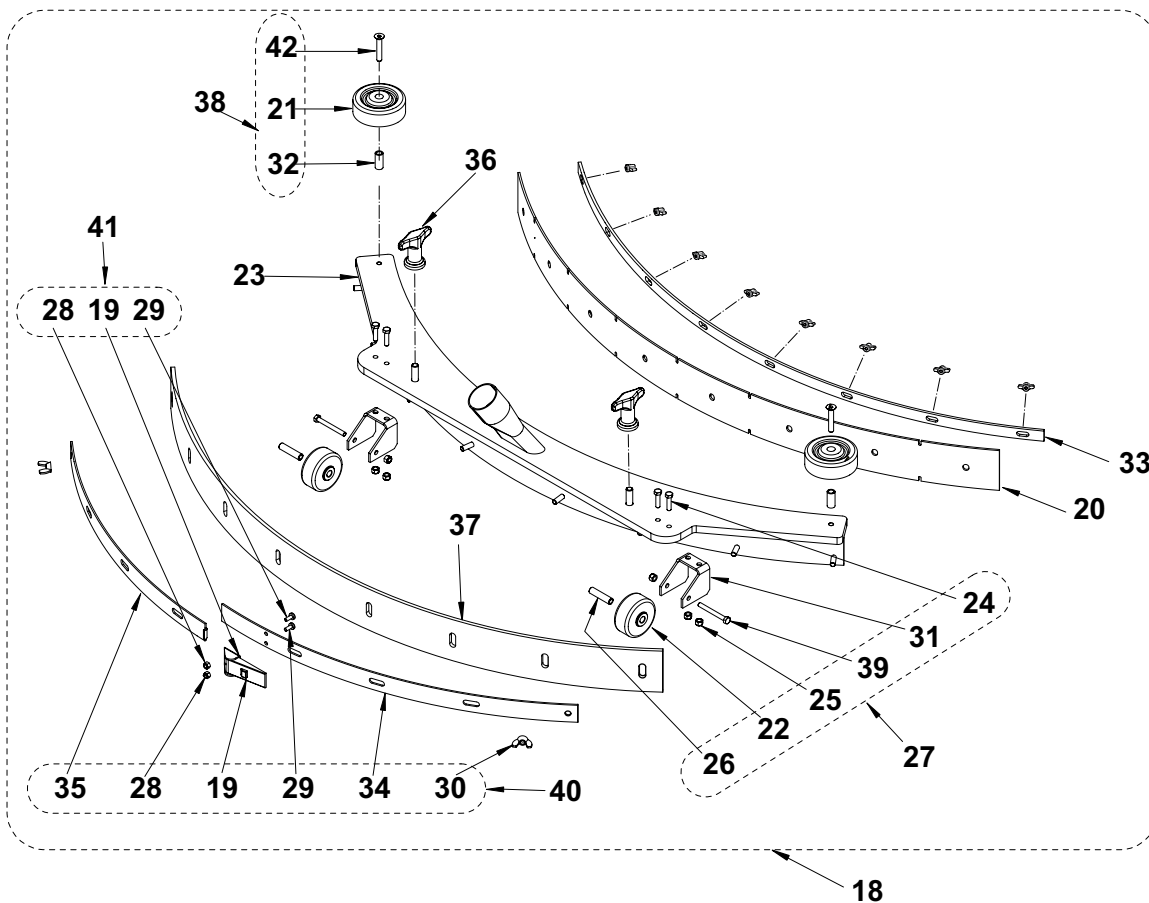
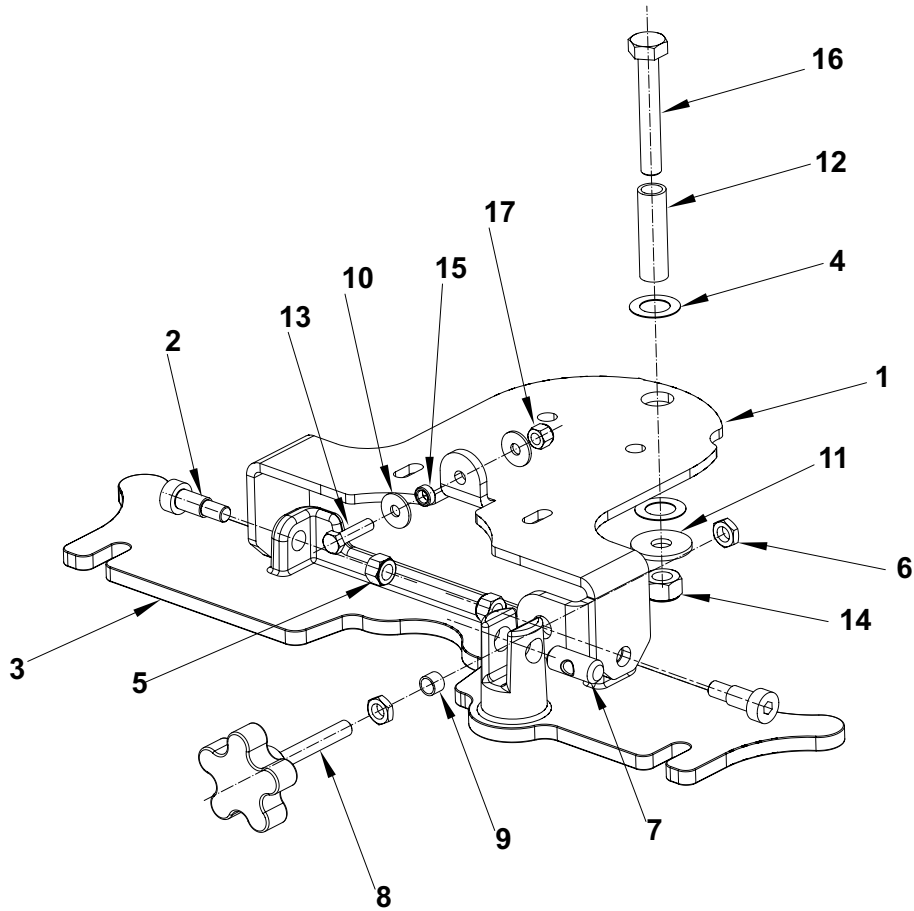
B: TSB IT 2007-027a



Item No.	Ref. No.	Qty	Description
1	909 6744 000	1	AXP - ECO DOSAGE SOLUTION KIT
2	xxxxxxxxxx	1	HOSE L=150 (SEE HOSE AXP KIT)
3	xxxxxxxxxx	1	HOSE L=330 (SEE HOSE AXP KIT)
4	xxxxxxxxxx	1	HOSE L=80 (SEE HOSE AXP KIT)
5	xxxxxxxxxx	1	HOSE L=300 (SEE HOSE AXP KIT)
6	xxxxxxxxxx	1	HOSE L=80 (SEE HOSE AXP KIT)
7	xxxxxxxxxx	1	HOSE L=500 (SEE HOSE AXP KIT)
8	xxxxxxxxxx	1	HOSE L=660 (SEE HOSE AXP KIT)
9#	xxxxxxxxxx	3	SCREW 3.5X10 THD
10	xxxxxxxxxx	1	BRAKET CHEMICAL MIXING
12	56315108	1	PUMP 24V
13#	56315500	1	TANK CHEMICAL
14	56315517	1	CAP INLET
15	56315522	1	VALVE NON RETURN
16	56315523	1	CAP
17	56315527	1	INSERT
18#	xxxxxxxxxx	3	WASHER FLAT 4X9 SS
19#	xxxxxxxxxx	7	CLAMP
20	xxxxxxxxxx	2	WASHER 5X15X1,5 UNI6593
21	xxxxxxxxxx	2	SCREW HEX. HD M5X20
22#	9097166000	1	FILTER COMPLETE KIT
23	909 6183 000	1	PUMP CHEMICAL MIX
24	xxxxxxxxxx	6	CLAMP
25	909 6536 000	1	FITTING
26	xxxxxxxxxx	1	CHEMICAL REGULATION ADHESIVE
27	909 6637 000	1	HOLDER RUBBER
28#	L08603893	1	KIT NET FILTER WITH GASKET
29#	L08603685	2	NUT HEX SELF LOCK M4 SS
30	9096996000	1	VALVE ELBOW WITH PIPES KIT(SEE SOLUTION SYSTEM PAGES 14-15)
[31]	909 6187 000	1	HARNES PUMP
[32]	xxxxxxxxxx	1	FLAT TIE HOLDER
[33]#	xxxxxxxxxx	3	CLAMP
[34]	xxxxxxxxxx	1	SCREW M5X12
[35]	xxxxxxxxxx	1	CLAMP
[37]	909 6807 000	1	PIPES CHEMICAL MIX KIT (2,3,4,5,6,7,8)
[38]	909 6747 000	1	INSTALLATION INSTRUCTIONS FOR AXP KIT
39	146 0497 000	2	SCREW HEX HD M4X14 SS (SEE SOLUTION SYSTEM PAGES 14-15)
41	909 6555 000	1	SOLENOID VALVE 24V (SEE SOLUTION SYSTEM PAGES 14-15)
42	56325716	2	WASHER FLAT 4X9 SS (SEE SOLUTION SYSTEM PAGES 14-15)



Item No.	Ref. No.	Qty	Description
1	909 6494 000	1	BRACKET, SQUEEGEE SUPPORT
2	xxxxxxxxxx	2	SHOULDER BOLT M10X16 (SEE HARDWARE FIXING KIT)
3	909 6497 000	1	PIN SQUEEGEE
4	909 6537 000	1	SPRING SQUEEGEE PUSHING
5	909 6538 000	1	SPRING SQUEEGEE PUSHING
6	909 6543 000	2	PIN SQUEEGEE FIXING
7#	xxxxxxxxxx	5	NUT HEX. SELFLOCK. M6 SS (SEE WHEEL SQUEEGEE KIT- HARDWARE FIXING KIT - ROLLER BUMPER SQUEEGEE KIT)
8	33005915	1	WASHER FLAT 8X17
9#	L08238300	2	WASHER 15X25
10	33005607	3	NUT SELFLOCKING M8
11	xxxxxxxxxx	2	NUT HEX LOW M8 (SEE HARDWARE FIXING KIT)
12	xxxxxxxxxx	1	SUPPORT PIN (SEE HARDWARE FIXING KIT)
13	xxxxxxxxxx	1	HANDWHEEL M8X55 (SEE HARDWARE FIXING KIT)
14	xxxxxxxxxx	1	SPACER Ø8XØ10X7 (SEE HARDWARE FIXING KIT)
15	33005608	1	NUT SELF L. M10 UNI7474
16	xxxxxxxxxx	1	SPACER 6.5X10X4.5 (SEE HARDWARE FIXING KIT)
17	33005758	2	SPLIT PIN
18	909 6635 000	2	HOLDER FLAT TIE
19	909 6052 000	1	SPRING SUPPORT
20	xxxxxxxxxx	1	WASHER FLAT 6X18 SS (SEE HARDWARE FIXING KIT)
21	56325568	1	WASHER FLAT 10X30
22	xxxxxxxxxx	1	SCREW HEX HD M6X25 SS (SEE HARDWARE FIXING KIT)
23	909 6045 000	1	SQUEEGEE SUPPORT
24	909 6851 000	1	SQUEEGEE CPL ALU KIT 30"
25	909 6483 000	1	BLADE NEOPRENE FRONT
26	909 6484 000	1	BLADE NEOPRENE REAR
27	909 6551 000	1	KNOB M8X30 SS
28	xxxxxxxxxx	2	ROLLER BUMPER (SEE ROLLER BUMPER SQUEEGEE KIT)
29	xxxxxxxxxx	1	LATCH FOR SQUEEGEE (SEE HARDWARE SQUEEGEE FIXING KIT AND LATCH SQUEEGEE KIT)
30#	L08603675	2	NUT THUMB SQUEEGEE FIXING
32	xxxxxxxxxx	2	SCREW M4X10 SS (SEE HARDWARE SQUEEGEE FIXING KIT AND LATCH SQUEEGEE KIT)
33	xxxxxxxxxx	2	NUT HEX SELF LOCK M4 SS (SEE HARDWARE SQUEEGEE FIXING KIT AND LATCH SQUEEGEE KIT)
34	xxxxxxxxxx	2	SCREW HEX HD M6X55 SS (SEE WHEEL SQUEEGEE KIT AND ROLLER BUMPER SQUEEGEE KIT)
35	909 5953 000	2	SCREW 5/16"X1" UNC
36	909 6044 000	1	WELDMENT SQUEEGEE TOOL
37	xxxxxxxxxx	1	STRAP, SQUEEGEE LEFT REAR (SEE HARDWARE SQUEEGEE FIXING KIT)
38	909 6055 000	1	STRAP, SQUEEGEE FRONT
39	xxxxxxxxxx	1	STRAP, SQUEEGEE RIGHT REAR (SEE HARDWARE SQUEEGEE FIXING KIT)
40	xxxxxxxxxx	2	SQUEEGEE WHEEL D.60 (SEE WHEEL SQUEEGEE KIT)
41	909 6600 000	1	DOWEL M8X30 SS
42	xxxxxxxxxx	2	SCREW M6X40 SS (SEE ROLLER BUMPER SQUEEGEE KIT)
43	909 6682 000	2	RUBBER WASHER
44	xxxxxxxxxx	1	RUBBER SPACER (SEE HARDWARE SQUEEGEE FIXING KIT)
45	xxxxxxxxxx	2	SPACER Ø6,3XØ9,5X21 (SEE ROLLER BUMPER SQUEEGEE KIT)
46	909 6882 000	1	HARDWARE SQUEEGEE FIXING KIT (29,32,33,37,39,44)
47	909 6883 000	1	WHEEL SQUEEGEE KIT (7,34,40)
48	909 6884 000	1	ROLLER BUMPER SQUEEGEE KIT (7,28,42,45)
49#	909 6394 000	1	LATCH SQUEEGEE KIT (29,32,33)
[50]#	909 6885 000	1	HARDWARE FIXING KIT (2,7,11,12,13,14,16,20,22)



Item No.	Ref. No.	Qty	Description
1	909 6494 000	1	SQUEEGEE BRACKET
2	xxxxxxxxxx	2	SHOULDER BOLT M10X16 (SEE SQUEEGEE SUPPORT HARDWARE KIT)
3	909 6045 000	1	SQUEEGEE SUPPORT
4	xxxxxxxxxx	2	WASHER (SEE SQUEEGEE SUPPORT HARDWARE KIT)
5	xxxxxxxxxx	2	NUT SELFLOCKING M8 (SEE SQUEEGEE SUPPORT HARDWARE KIT)
6	xxxxxxxxxx	2	NUT HEX LOW M8 (SEE SQUEEGEE SUPPORT HARDWARE KIT)
7	xxxxxxxxxx	1	SUPPORT PIN (SEE SQUEEGEE SUPPORT HARDWARE KIT)
8	xxxxxxxxxx	1	HANDWHEEL M8X55 (SEE SQUEEGEE SUPPORT HARDWARE KIT)
9	xxxxxxxxxx	1	SPACER Ø8XØ10X7 (SEE SQUEEGEE SUPPORT HARDWARE KIT)
10	xxxxxxxxxx	2	WASHER FLAT 6X18 SS (SEE SQUEEGEE SUPPORT HARDWARE KIT)
11	xxxxxxxxxx	1	WASHER FLAT 10X30 (SEE SQUEEGEE SUPPORT HARDWARE KIT)
12	xxxxxxxxxx	1	SPACER (SEE SQUEEGEE SUPPORT HARDWARE KIT)
13	xxxxxxxxxx	1	SCREW HEX HD M6X25 SS (SEE SQUEEGEE SUPPORT HARDWARE KIT)
14	xxxxxxxxxx	1	NUT (SEE SQUEEGEE SUPPORT HARDWARE KIT)
15	xxxxxxxxxx	1	SPACER 6.5X10X4.5 (SEE SQUEEGEE SUPPORT HARDWARE KIT)
16	xxxxxxxxxx	1	SCREW HEX HD M10X65 (SEE SQUEEGEE SUPPORT HARDWARE KIT)
17	xxxxxxxxxx	1	NUT HEX M6 SELFLOCK SS (SEE SQUEEGEE SUPPORT HARDWARE KIT)
18	909 5372 000	1	KIT SQUEEGEE
19	xxxxxxxxxx	1	LATCH FOR SQUEEGEE (SEE FIXING SQUEEGEE KIT - LATCH SQUEEGEE KIT)
20#	L08603830	1	BLADE FRONT
20*	909 5629 000	1	BLADE FRONT NON MARKING
21#	xxxxxxxxxx	2	ROLLER BUMPER (SEE KIT SQUEEGEE BUMPER ROLLER)
22	xxxxxxxxxx	2	SQUEEGEE WHEEL (SEE KIT SQUEEGEE WHEEL)
23	909 5294 000	1	WELDMENT SQUEEGEE TOOL
24#	xxxxxxxxxx	4	SCREW HEX HD M5X20 SS (SEE KIT SQUEEGEE WHEEL)
25#	xxxxxxxxxx	6	NUT HEX. LOW SELF LOCK. M5 SS (SEE KIT SQUEEGEE WHEEL)
26	xxxxxxxxxx	2	SPACER (SEE KIT SQUEEGEE WHEEL)
27#	L08603879	1	WHEEL SQUEEGEE KIT (22,24,25,26,31,39)
28	xxxxxxxxxx	2	NUT HEX SELF LOCK M4 SS (SEE FIXING SQUEEGEE KIT - LATCH SQUEEGEE KIT)
29	xxxxxxxxxx	2	SCREW M4X10 SS (SEE FIXING SQUEEGEE KIT- LATCH SQUEEGEE KIT)
30	xxxxxxxxxx	10	WING NUT M6 (SEE FIXING SQUEEGEE KIT)
31	xxxxxxxxxx	2	SUPPORT SQUEEGEE WHEEL (SEE KIT SQUEEGEE WHEEL)
32	xxxxxxxxxx	2	SPACER Ø6,3XØ9,5X21 (SEE KIT SQUEEGEE BUMPER ROLLER)
33#	L08603831	1	STRAP FRONT
34	xxxxxxxxxx	1	RIGHT REAR STRAP (SEE FIXING SQUEEGEE KIT)
35	xxxxxxxxxx	1	STRAP LEFT REAR (SEE FIXING SQUEEGEE KIT)
36#	L08603675	2	THUMB NUT SQUEEGEE FIXING
37#	L08603832	1	BLADE REAR
38#	L08603880	1	ROLLER BUMPER SQUEEGEE KIT (21,32,42)
39	xxxxxxxxxx	2	SCREW HEX HD M5X45 SS (SEE KIT SQUEEGEE WHEEL)
40	909 6894 000	1	HARDWARE SQUEEGEE FIXING KIT (19,28,29,30,34,35)
41	909 6394 000	1	LATCH SQUEEGEE KIT (19,28,29)
42#	33004581	2	SCREW M6X35 UNI5933 (SEE KIT SQUEEGEE BUMPER ROLLER)
[43]#	909 6886 000	1	HARDWARE FIXING KIT (2,4,5,6,7,8,9,10,11,12,13,14,15,16,17)

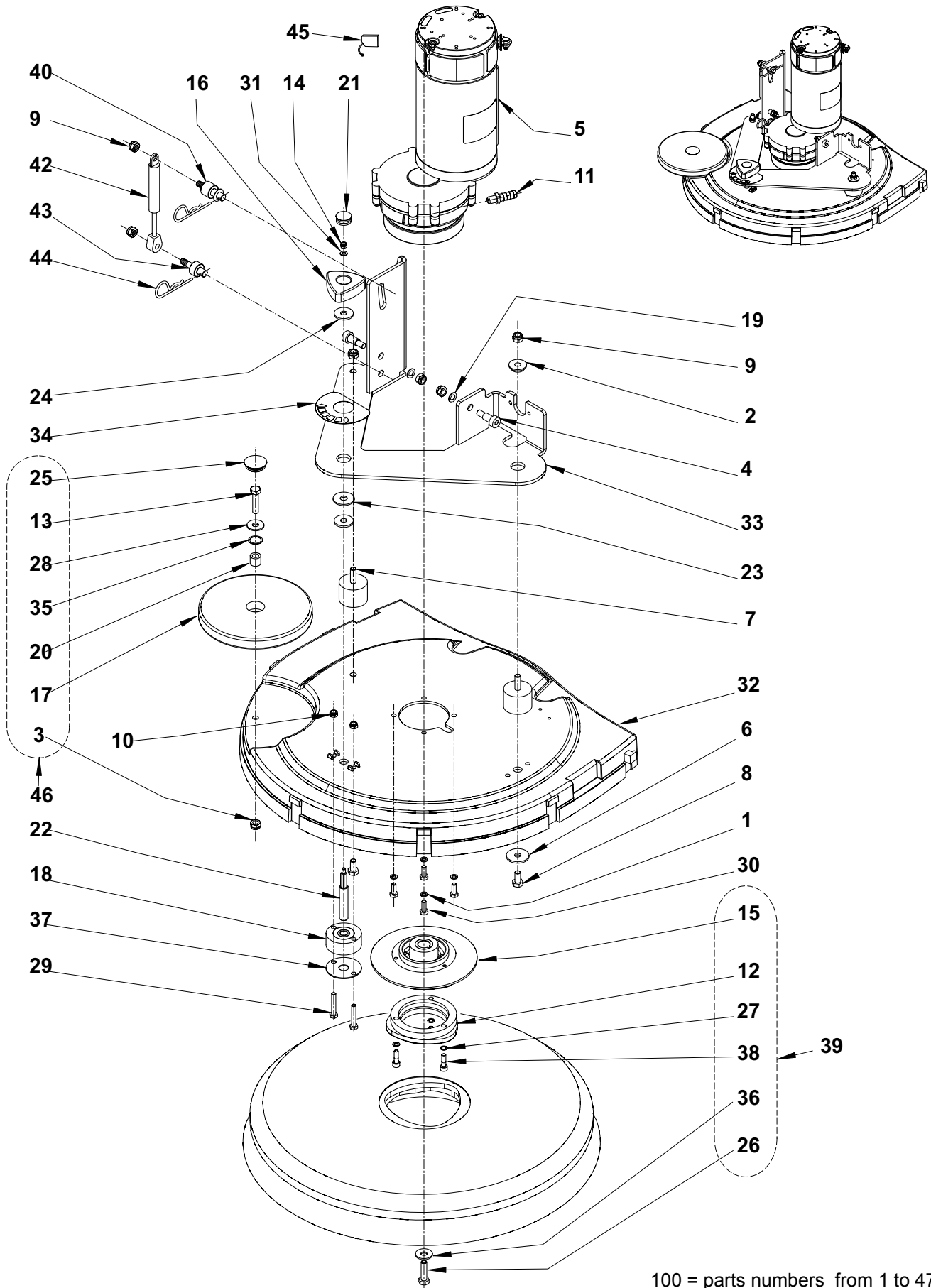
BRUSH SYSTEM

2007-01

22

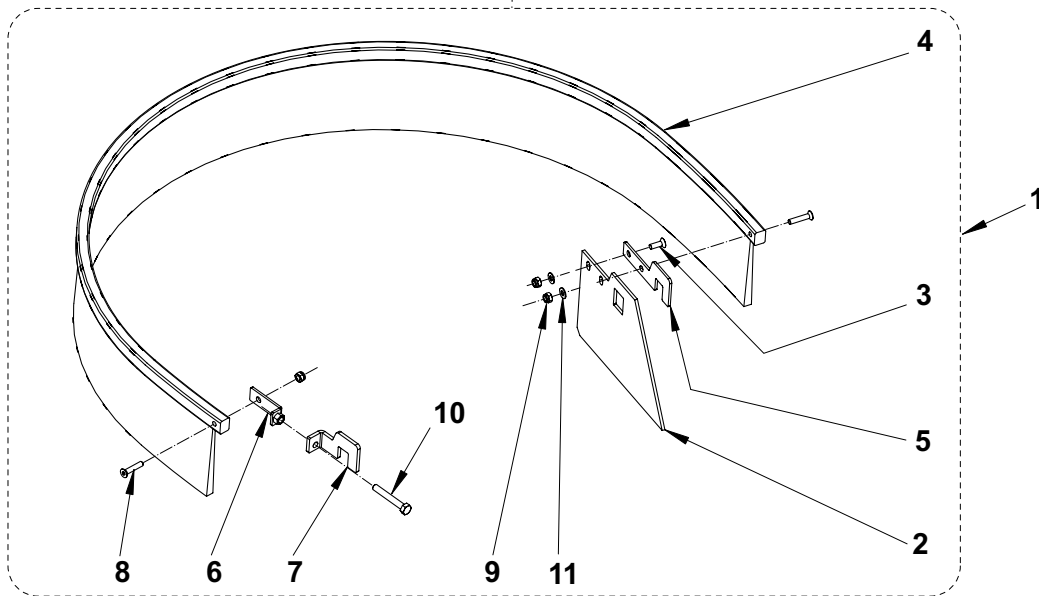
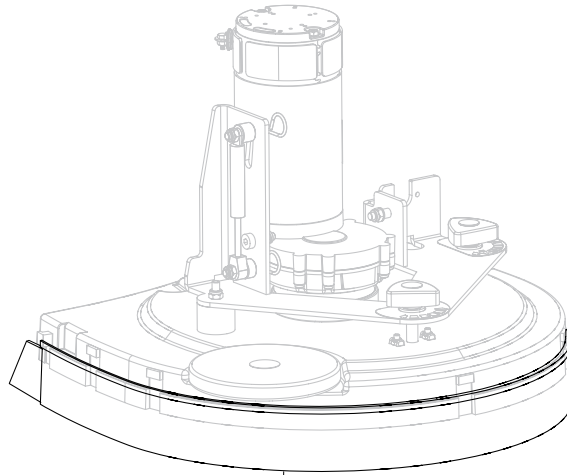
Adfinity™ 20D / X20D

2007-09



100 = parts numbers from 1 to 47

Item No.	Ref. No.	Qty	Description
100	909 6853 000	1	DECK BRUSH 530MM/20" KIT
1	145 0252 000	4	WASHER SS
2	909 6513 000	1	BUSHING
3	xxxxxxxxxx	1	NUT HEX SELFLOCK M8 SS (SEE BUMPER ROLLER KIT)
4	909 6495 000	2	SHOULDER BOLT M10X16
5	909 6546 000	1	REDUCTION GEARMOTOR CPL
6	145 0494 000	1	WASHER FLAT 8X32 SS
7#	9097184000	1	VIBRATION DAMPING M8
8#	xxxxxxxxxx	1	SCREW HEX HD M8X12 SS (SEE BRUSH SYSTEM HARDWARE KIT)
9#	xxxxxxxxxx	6	NUT SELFLOCKING M8 (SEE BRUSH SYSTEM HARDWARE KIT)
10	33005604	2	NUT HEX SELFLOCKING M6
11	56325648	1	HOLDER RUBBER 1/4
12	xxxxxxxxxx	1	BRUSH HUB (SEE HOLDERPOLYG.W/FLAGE KIT)
13	xxxxxxxxxx	1	SCREW HEX HD M8X30 SS (SEE BUMPER ROLLER KIT)
14	xxxxxxxxxx	1	NUT HEX. LOW SELF LOCK. M5 SS (SEE BRUSH SYSTEM HARDWARE KIT)
15	xxxxxxxxxx	1	HUB, BRUSH R. MOTOR (SEE HOLDER POLYG.W/FLAGE KIT)
16	xxxxxxxxxx	1	KNOB (SEE BRUSH SYSTEM HARDWARE KIT)
17	xxxxxxxxxx	1	BUMPER ROLLER (SEE BUMPER ROLLER KIT)
18	xxxxxxxxxx	1	SPACER (SEE BRUSH SYSTEM HARDWARE KIT)
19	33005916	2	WASHER FLAT 10
20	xxxxxxxxxx	1	SPACER (SEE BUMPER ROLLER KIT)
21	xxxxxxxxxx	1	CAP FOR KNOB (SEE BRUSH SYSTEM HARDWARE KIT)
22	xxxxxxxxxx	1	PIN PLATE FIXING (SEE BRUSH SYSTEM HARDWARE KIT)
23	xxxxxxxxxx	1	WASHER RUBBER 10X30X2 (SEE BRUSH SYSTEM HARDWARE KIT)
24	xxxxxxxxxx	2	WASHER FLAT 9X27 (SEE BRUSH SYSTEM HARDWARE KIT)
25#	xxxxxxxxxx	1	CAP, BUMPER ROLLER (SEE BUMPER ROLLER KIT)
26	xxxxxxxxxx	1	SCREW HEX HD M6X20 SS (SEE HOLDERPOLYG.W/FLAGE KIT)
27	xxxxxxxxxx	3	WASHER M6 (SEE HOLDERPOLYG.W/FLAGE KIT)
28	xxxxxxxxxx	1	WASHER FLAT 8X24 (SEE BUMPER ROLLER KIT)
29	xxxxxxxxxx	2	SCREW HEX HD M6X35 SS (SEE BRUSH SYSTEM HARDWARE KIT)
30	145 9959 000	4	SCREW HEX HD M6X16 SS
31	xxxxxxxxxx	1	WASHER FLAT 5X10 SS (SEE BRUSH SYSTEM HARDWARE KIT)
32	909 6042 000	1	DECK BRUSH 530MM/20"
33	909 6485 000	1	PLATE, DECK BRUSH HOLDER
34	909 6532 000	1	DECAL BRUSH ADJUSTING
35	xxxxxxxxxx	1	SPRING WASHER (SEE BUMPER ROLLER KIT)
36	xxxxxxxxxx	1	WASHER FLAT 6X24 SS (SEE HOLDERPOLYG.W/FLAGE KIT)
37	xxxxxxxxxx	1	VIBRATION DAMPING PLATE (SEE BRUSH SYSTEM HARDWARE KIT)
38	xxxxxxxxxx	1	SCREW M6X20 SS (SEE HOLDERPOLYG.W/FLAGE KIT)
39	9097093000	1	HOLDER POLYG.W/FLAGE KIT (12,15,26,27,36,38)
40	909 6515 000	1	PIN
42	909 6514 000	1	SPRING GAS
43	909 6516 000	1	PIN
44	145 8564 000	2	PIN SPLIT 3X60
45	909 5380 000	1	CARBON BRUSH KIT
46	909 6887 000	1	ROLLER BUMPER KIT (3,13,17,20,25,28,35)
[47]	909 6888 000	1	HARDWARE BRUSH DECK KIT (8,9,14,16,18,21,22,23,24,29,31,37)



**SPLASH GUARD 20" KIT
(ADFINITY™ 20D / X20D)**

2007-01

SPLASH GUARD

2007-09

Adfinity™ 20D / X20D

25

Item No.	Ref. No.	Qty	Description
1	909 6736 000	1	SPLASH GUARD 20" KIT (2,3,4,5,6,7,8,9,10,11,12)
2	xxxxxxxxxx	1	RUBBER SPLASH GUARD (SEE SPLASH GUARD 20" KIT)
3	xxxxxxxxxx	1	SCREW M4X12 (SEE SPLASH GUARD 20" KIT)
4	xxxxxxxxxx	1	SPLASH GUARD (SEE SPLASH GUARD 20" KIT)
5	xxxxxxxxxx	1	BRACKET FIXING SPLASH GUARD (SEE SPLASH GUARD 20" KIT)
6	xxxxxxxxxx	1	BRACKET FIXING SPLASH GUARD (SEE SPLASH GUARD 20" KIT)
7	xxxxxxxxxx	1	BRACKET FIXING SPLASH GUARD (SEE SPLASH GUARD 20" KIT)
8	xxxxxxxxxx	2	SCREW M4X20 (SEE SPLASH GUARD 20" KIT)
9	xxxxxxxxxx	3	NUT (SEE SPLASH GUARD 20" KIT)
10#	xxxxxxxxxx	1	SCREW HEX HD M5X30 SS (SEE SPLASH GUARD 20" KIT)
11	xxxxxxxxxx	2	WASHER M4 (SEE SPLASH GUARD 20" KIT)
[12]	909 6745 000	1	INSTALLATION INSTRUCTIONS FOR SPLASH GUARD KIT (SEE SPLASH GUARD 20" KIT)

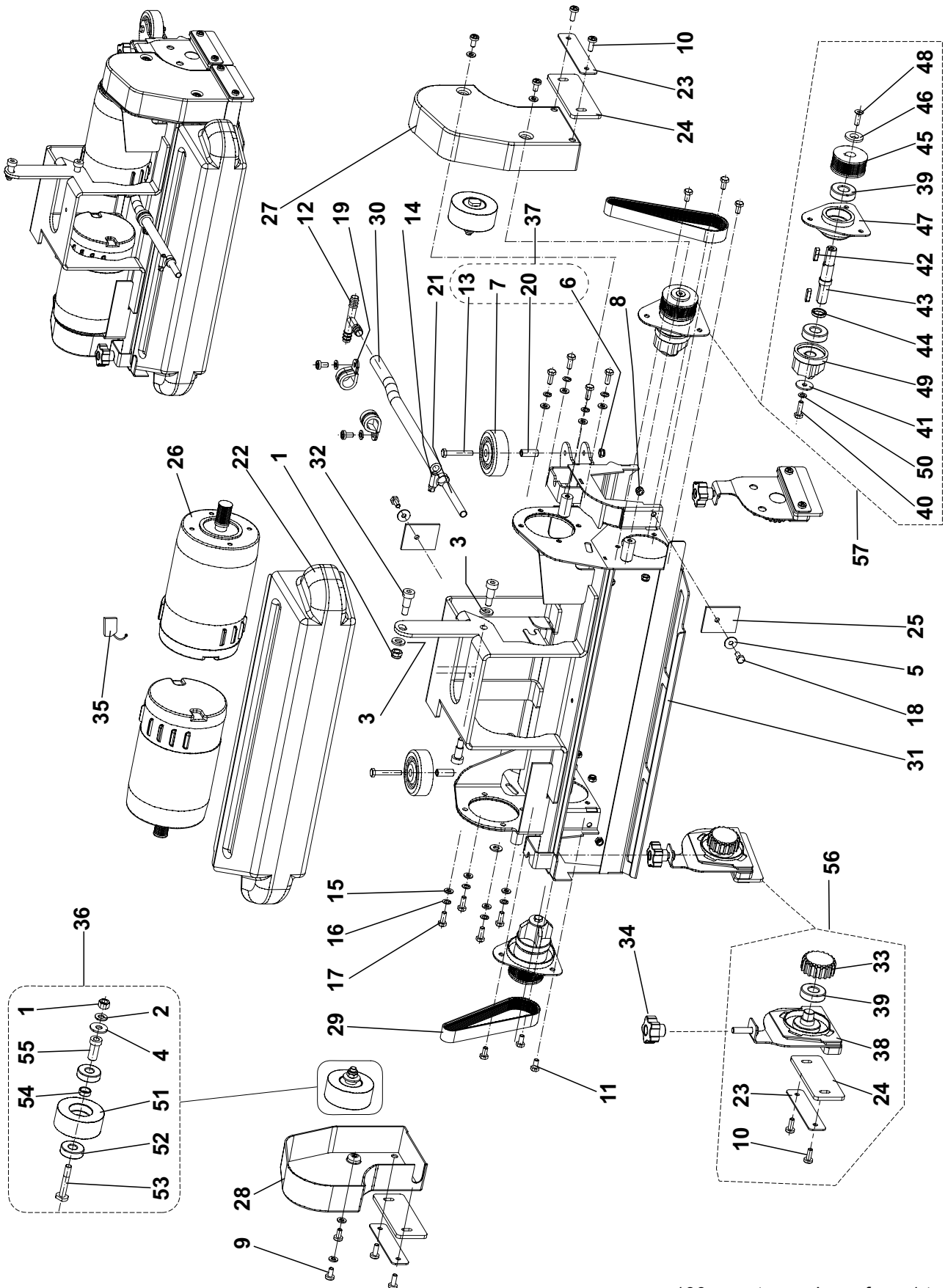
BRUSHES SYSTEM

2007-01

26

Adfinity™ X20C

2007-09



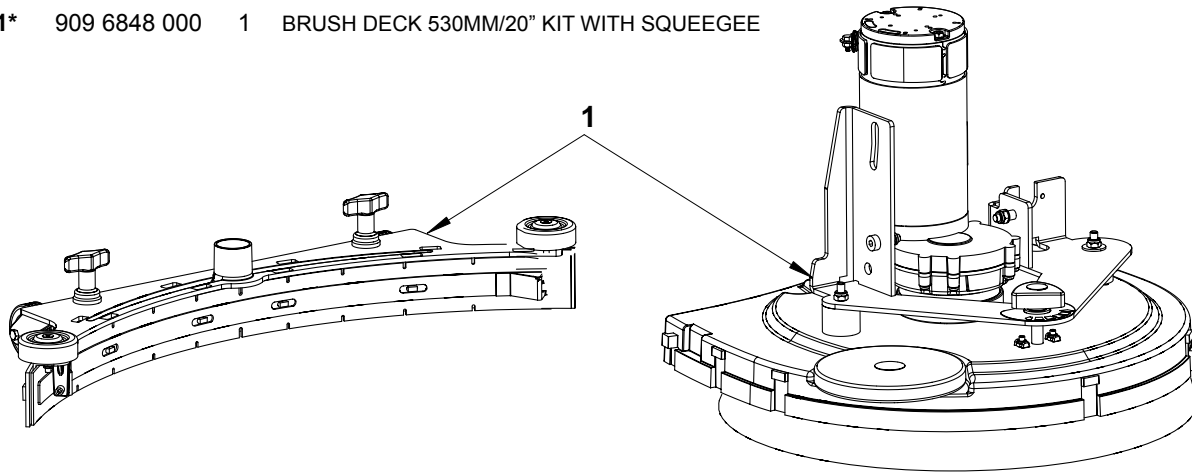
100 = parts numbers from 1 to 61

Item No.	Ref. No.	Qty	Description
100	909 6854 000	1	BRUSH DECK KIT ADFINITY™ X20C
1	xxxxxxxxxx	5	NUT SELFLOCKING M8 (SEE BELT TENSIONER KIT)
2	xxxxxxxxxx	2	WASHER FLAT 8X17 (SEE BELT TENSIONER KIT)
3#	33005916	3	WASHER FLAT 10
4	xxxxxxxxxx	2	WASHER FLAT 8X24 (SEE BELT TENSIONER KIT)
5	xxxxxxxxxx	2	WASHER FLAT 6X18 SS (SEE SPLASH GUARD KIT)
6	33005604	2	NUT HEX SELFLOCKING M6
7	xxxxxxxxxx	2	ROLLER BUMPER (SEE ROLLER BUMPER KIT)
8	xxxxxxxxxx	8	NUT HEX. SELFLOCK. M6 SS (SEE ROLLER BUMPER KIT)
9#	L08603706	6	SCREW M6X12
10	xxxxxxxxxx	4	SCREW M6X16 (SEE SPLASH GUARD KIT)
11	145 0498 000	6	SCREW HEX HD M6X12
12	145 4366 000	1	HOLDER RUBBER T DIAM 12MM
13	xxxxxxxxxx	2	SCREW HEX HD M6X40 (SEE ROLLER BUMPER KIT)
14	145 8582 000	1	CLAMP
15	33005913	14	WASHER FLAT 6X12,5
16	33005851	8	WASHER SPLIT 6
17	33003974	8	SCREW HEX. HD M6X16
18	xxxxxxxxxx	2	SCREW HEX. HD M6X14 SS (SEE SPLASH GUARD KIT)
19	909 5516 000	2	CABLE CLAMP Ø18
20	xxxxxxxxxx	2	SPACER (SEE ROLLER BUMPER KIT)
21	909 5772 000	1	HOSE COPPER
22	909 5805 000	1	CONTAINER DIRT
23	xxxxxxxxxx	2	PLATE SPLASH GUARD FIXING (SEE SPLASH GUARD KIT)
24	xxxxxxxxxx	2	CYLINDRICAL SPLASH GUARD (SEE SPLASH GUARD KIT)
25	xxxxxxxxxx	2	CYLINDRICAL SPLASH GUARD (SEE SPLASH GUARD KIT)
26#	9096983000	2	MOTOR ELECTRIC 300W 24V
27	909 5817 000	1	CRANKCASE BELT PROTECT. RIGHT
28	909 5818 000	1	CRANKCASE BELT PROTECT. LEFT
29	909 5820 000	2	BELT POLY-V
30	909 5870 000	1	HOSE DIAM 10 L.190 MM
31	909 6518 000	1	CYLINDRICAL BRUSH DECK FRAME
32	909 6495 000	3	SHOULDER BOLT M10X16
33	56407551	2	HUB
34	146 1851 000	2	KNOB M8
35#	145 8360 000	8	CARBON BRUSH (4 PCS F/EACH MOTOR)
36#	909 6360 000	1	BELT TENSIONER KIT (1,2,4,51,52,53,54,55)
37#	909 6889 000	1	ROLLER BUMPER KIT (6,7,13,20)
38	909 5808 000	2	BRUSH SUPPORT
39	145 2361 000	6	BEARING
40	145 0253 000	2	SCREW HEX HD M6X20 SS
41	145 0493 000	2	WASHER FLAT 6X24 SS
42	145 9774 000	4	KEY
43	909 5755 000	2	PIN BRUSH PULLEY
44	146 1232 000	2	SPACER Ø15XØ20X4
45	909 5819 000	2	PULLEY
46	145 5828 000	2	SPACER
47	909 5807 000	2	BRUSH PULLEY SUPPORT
48	33004578	2	SCREW M6X20
49	909 5728 000	2	BRUSH HUB
50	909 5753 000	2	WASHER SPLIT 6 SS
51	xxxxxxxxxx	2	ROLLER (SEE BELT TENSIONER KIT)
52	xxxxxxxxxx	4	BEARING (SEE BELT TENSIONER KIT)
53	xxxxxxxxxx	2	PIN THD FORM (SEE BELT TENSIONER KIT)
54	xxxxxxxxxx	2	SPACER (SEE BELT TENSIONER KIT)
55	xxxxxxxxxx	2	PIN (SEE BELT TENSIONER KIT)
56	9097172000	1	SUPPORT CYL. BRUSH KIT (10,23,24,33,38,39)
57	9097173000	1	SUPPORT PULLEY KIT (39,40,41,42,43,44,45,46,47,48,49,50)
[58]	909 6620 000	1	HARNES CYL. BRUSH DECK
[59]#	909 6890 000	1	SPLASH GUARD KIT (5,10,18,23,24,25)

Item No.	Ref. No.	Qty	Description
100	909 6855 000	1	BRUSH DECK 610MM KIT
1	33005607	3	NUT SELFLOCKING M8
2	909 6727 000	2	REDUCTION GEARMOTOR 24V W 350
3	xxxxxxxxxx	2	HOSE Ø10 (SEE HOSE WATER BRUSH DECK KIT)
4	xxxxxxxxxx	2	NUT HEX SELFLOCKING M6 (SEE BUMPER ROLLER KIT)
5#	L08603968	1	PLATE, BENT
6	xxxxxxxxxx	2	ROLLER BUMPER (SEE BUMPER ROLLER KIT)
7	xxxxxxxxxx	1	HUB BRUSH REDUCTION GEARMOTOR RIGHT (HOLDER POLYG. RIGHT W/FLANGE KIT)
8	145 0252 000	8	WASHER SS
9	56325568	1	WASHER FLAT 10X30
10#	xxxxxxxxxx	16	WASHER FLAT 6X18 SS (SEE HOSE WATER BRUSH DECK KIT)
11	xxxxxxxxxx	2	SCREW HEX HD M8X30 SS (SEE HOLDERPOLYG.W/FLAGE RIGHT- LEFT KITS)
12	33005608	1	NUT
13	145 8024 000	2	TAB
14	xxxxxxxxxx	2	WASHER FLAT 8X24 SS (SEE HOLDERPOLYG.W/FLAGE RIGHT- LEFT KITS)
15	145 8564 000	1	PIN SPLIT 3X60
16	xxxxxxxxxx	4	U-BOLT Ø16 (SEE HOSE WATER BRUSH DECK KIT)
17	xxxxxxxxxx	2	SCREW M6X45 (SEE BUMPER ROLLER KIT)
18	xxxxxxxxxx	1	HUB BRUSH REDUCTION GEARMOTOR LEFT (HOLDER POLYG. LEFT W/FLANGE KIT)
19	909 5224 000	1	SPLASH GUARD 650
20	xxxxxxxxxx	2	SPACER, ROLLER BUMPER (SEE BUMPER ROLLER KIT)
21	909 6512 000	1	BRACKET, BRUSH DECK
22	145 0253 000	8	SCREW HEX HD M6X20 SS
23	xxxxxxxxxx	1	RUBBER HOLDER Y D.12 (SEE HOSE WATER BRUSH DECK KIT)
24	909 5010 000	2	SCREW OVAL HD M6X16 SS
25	909 5011 000	1	SCREW OVAL HD M6X20 SS
26	909 5344 000	1	BRUSH DECK 610MM
27	xxxxxxxxxx	6	SCREW M6X10 SS (SEE HOSE WATER BRUSH DECK KIT)
28	909 6495 000	3	SHOULDER BOLT M10X16
29#	xxxxxxxxxx	2	BRUSH HUB (SEE HOLDERPOLYG.W/FLAGE RIGHT- LEFT KITS)
30#	xxxxxxxxxx	6	WASHER M6 (SEE HOLDERPOLYG.W/FLAGE RIGHT- LEFT KITS)
31#	xxxxxxxxxx	6	SCREW M6X20 SS (SEE HOLDERPOLYG.W/FLAGE RIGHT- LEFT KITS)
32#	L08812589	1	HOLDER POLYG.RIGHT W/FLAGE KIT (7,11,14,29,30,31)
33	xxxxxxxxxx	1	HOLDER SPLASH GUARD (SEE SPLASH GUARD FIT. KIT)
34	xxxxxxxxxx	5	NUT HEX LOW M4 SELFLOCK SS (SEE SPLASH GUARD FIT. KIT)
35	xxxxxxxxxx	1	PLATE, STRAIGHT W/HOLE (SEE SPLASH GUARD FIT. KIT)
36	xxxxxxxxxx	1	SQUEEGEE LATCH (SEE SPLASH GUARD FIT. KIT)
37	xxxxxxxxxx	1	PLATE, STRAIGHT (SEE SPLASH GUARD FIT. KIT)
38	xxxxxxxxxx	5	SCREW HEX HD M4X8 (SEE SPLASH GUARD FIT. KIT)
39#	909 6893 000	2	CARBON BRUSH KIT (1 KIT EACH MOTOR)
40	909 5398 000	1	SPLASH GUARD FIXING KIT (33,34,35,36,37,38)
41	909 6891 000	1	HOSE WATER BRUSH DECK KIT (3,10,16,23,27)
42	909 5894 000	1	BUMPER ROLLER KIT (4,6,17,20)
44	145 9960 000	1	NUT HEX M6 SS
45	909 5228 000	2	COPPER HOSE
46	145 9212 000	2	U-BOLT Ø10
47	33005916	3	WASHER FLAT 10
48	9097092000	1	HOLDER POLYG. LEFT W/FLANGE KIT (11,14,18,29,30,31)
[49]	909 6619 000	1	HARNES BRUSH DECK

Adfinity™ 20D / X20D

Item	Ref. No.	Qty	Description
1*	909 6848 000	1	BRUSH DECK 530MM/20" KIT WITH SQUEEGEE



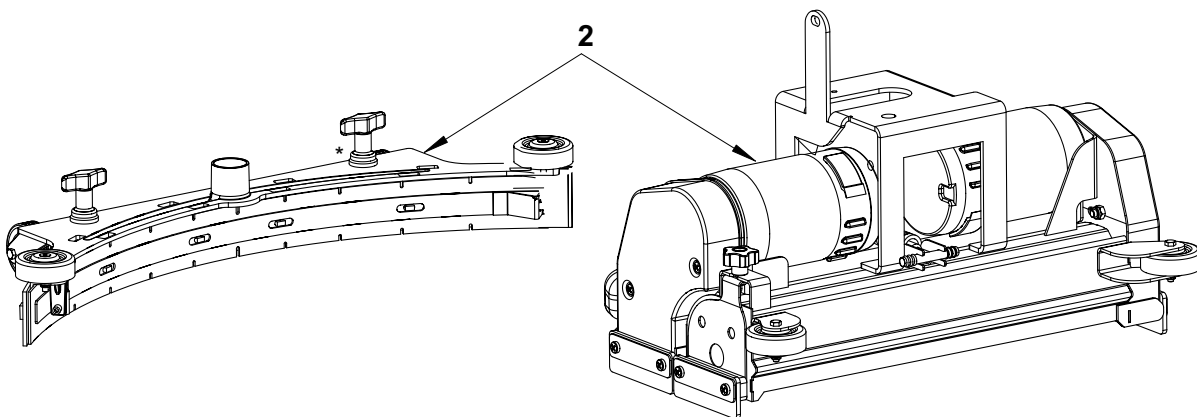
Adfinity™ 20D / X20D

Ref. No. - BRUSHES

- * 56325504 - PROLENE
- * #L08837026 - PROLITE
- * #L08837027 - UNION MIX
- * #L08837028 - MIDLITE GRIT
- * #L08837029 - MID GRIT 240
- * #L08837065 - MAGNA GRIT 46
- * #L08837066 - DYNA GRIT 80
- * #L08837067 - AGLITE GRIT 500
- * 56325502 - PAD HOLDER KIT

Adfinity™ X20C

Item	Ref. No.	Qty	Description
2*	909 6849 000	1	BRUSH DECK 510MM CYL KIT WITH SQUEEGEE



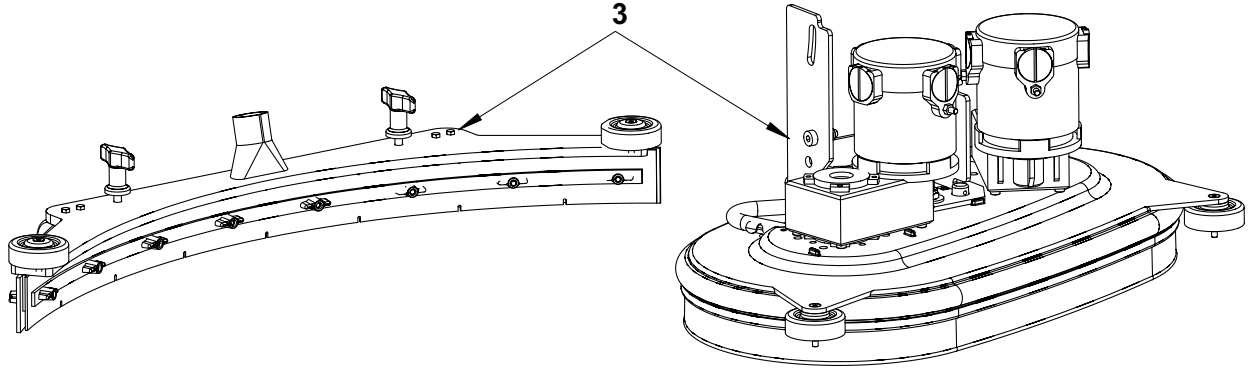
Adfinity™ X20C

Ref. No. - BRUSHES

- * 909 5823 000 - BRUSH CYL PROLITE
- * 909 5824 000 - BRUSH CYL PROLITE PLUS
- * 909 5825 000 - BRUSH CYL MIDLITE GRIT 180

Adfinity™ X24D

Item	Ref. No.	Qty	Description
3*	909 6850 000	1	BRUSH DECK 610MM KIT WITH SQUEEGEE



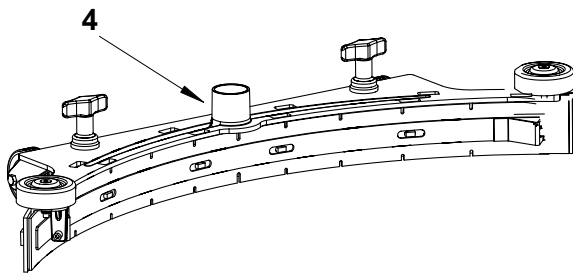
Adfinity™ X24D

Ref. No. - BRUSHES

- * #L08603842 - PROLENE
- * #L08603873 - MIDGRIT 240
- * #L08603872 - MIDLITE GRIT 180
- * #L08603874 - PROLITE
- * #L08603875 - UNION MIX
- * #L08603939 - PAD HOLDER KIT

Adfinity™ 20D / X20D / X20C

Item	Ref. No.	Qty	Description
4*	#L08603878	1	SQUEEGEE CPL KIT 30"
4	909 6851 000	1	SQUEEGEE CPL ALU KIT 30"



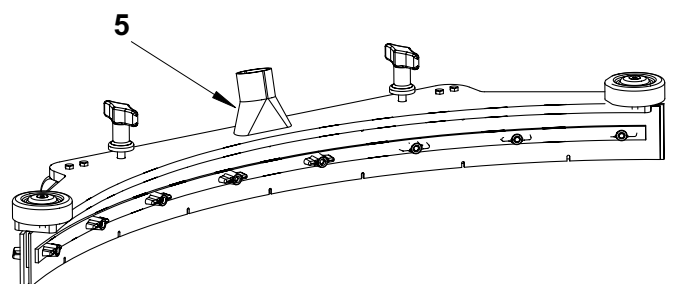
Adfinity™ 20D / X20D / X20C

Ref. No. - SQUEEGEE BLADES

- 909 6483 000 - FRONT BLADE NEOPRENE
- 909 6484 000 - REAR BLADE NEOPRENE
- * 909 6860 000 - KIT SQUEEGEE BLADES NEOPRENE
- * 909 6858 000 - KIT SQUEEGEE BLADES POLYURETHAN

Adfinity™ X24D

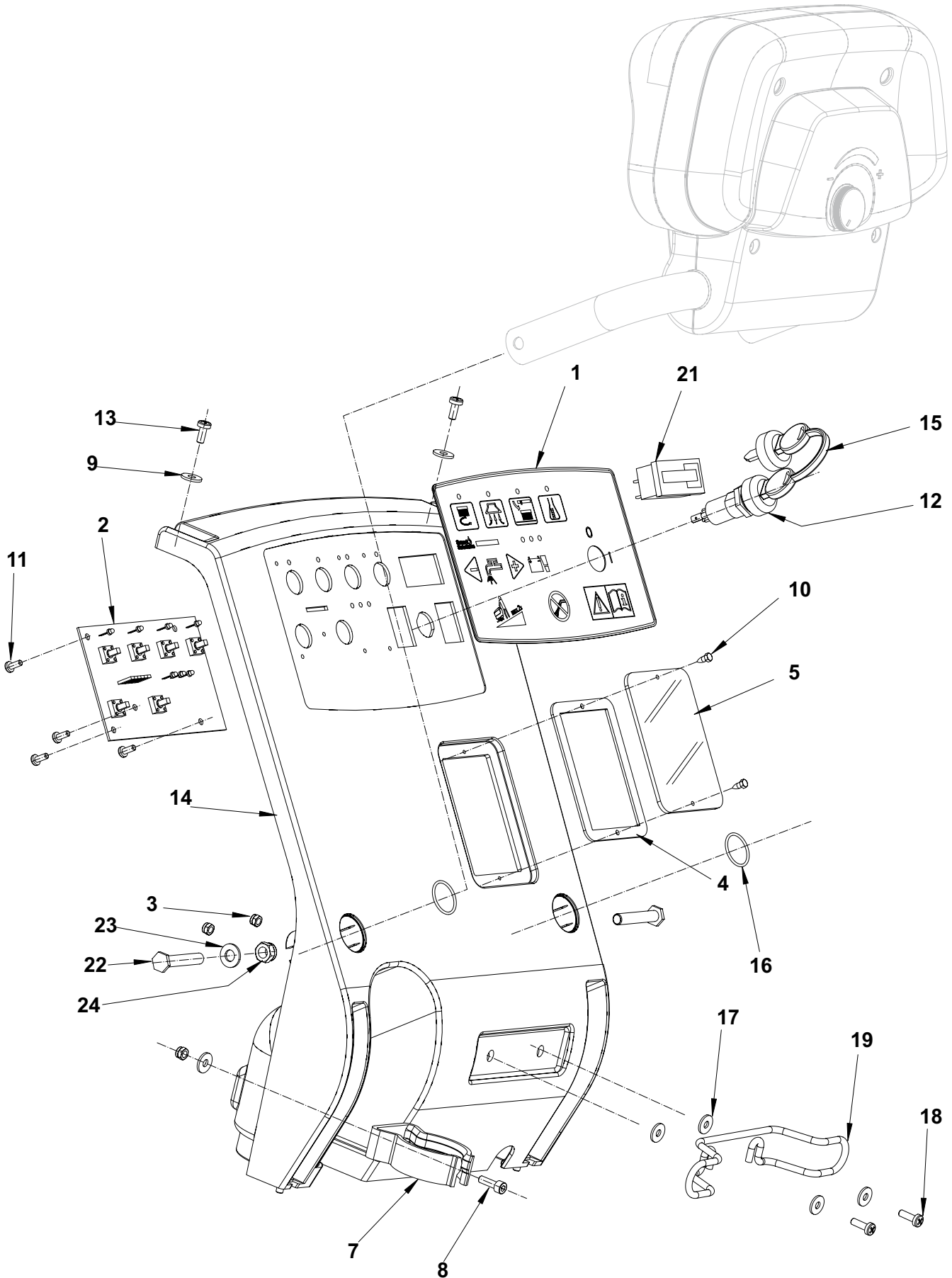
Item	Ref. No.	Qty	Description
5	909 5372 000	1	SQUEEGEE CPL KIT 32"



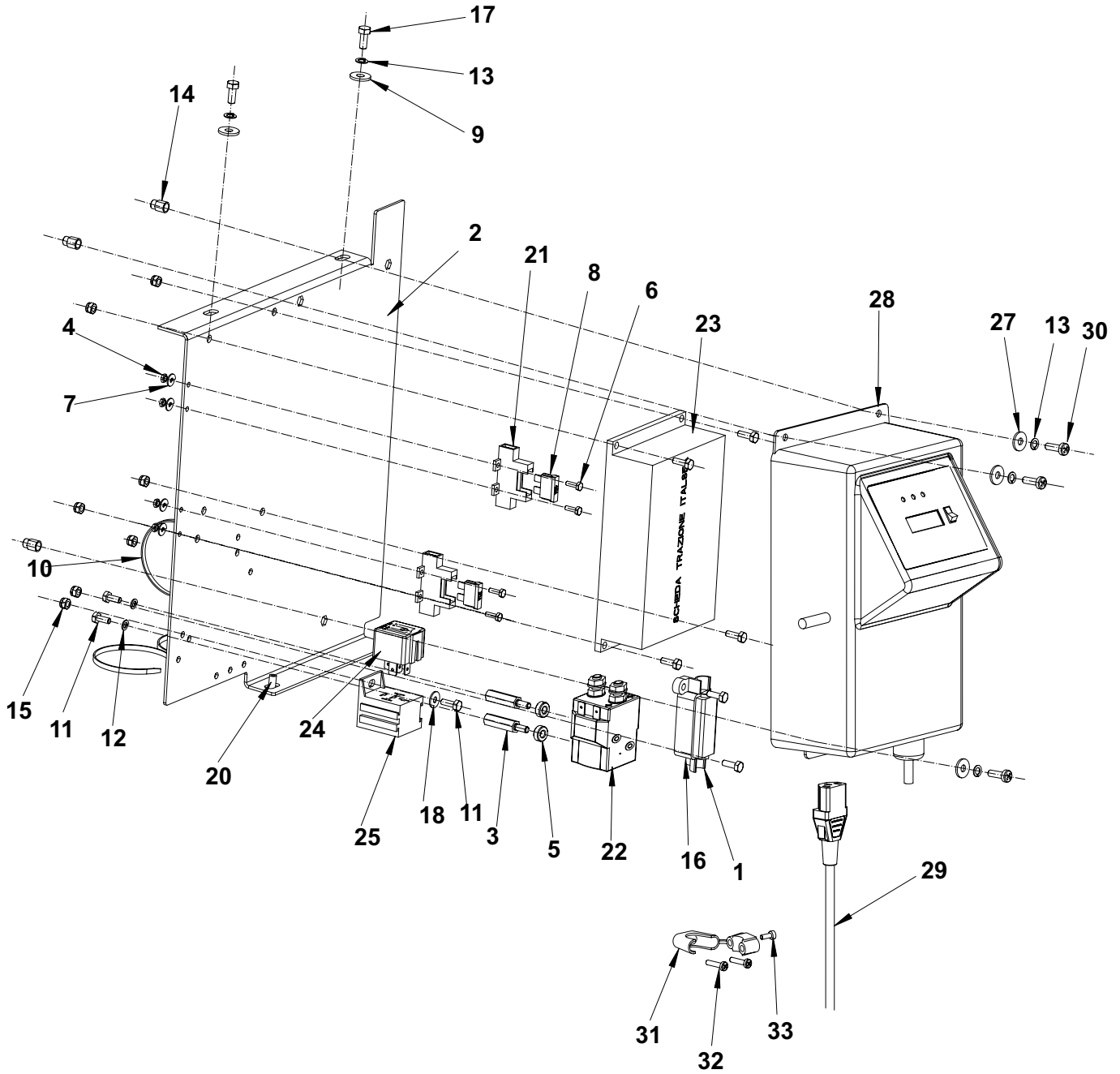
Adfinity™ X24D

Ref. No. - SQUEEGEE BLADES

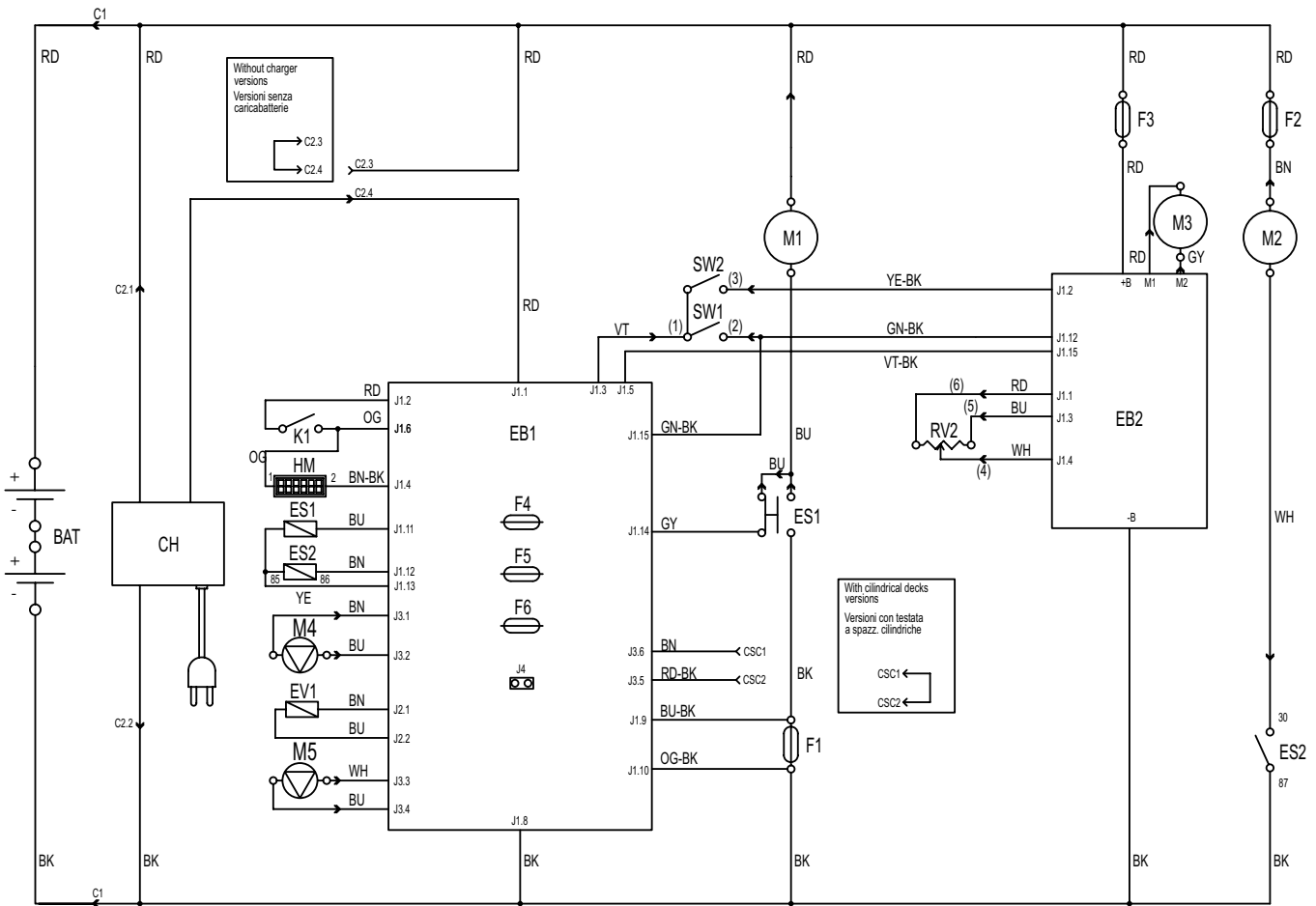
- #L08603830 - FRONT BLADE NEOPRENE
- #L08603832 - REAR BLADE NEOPRENE
- * 909 5006 000 - WEAR PACK: STD SQ.BLADES,FILT.,PREFILT.
- * 909 6859 000 - KIT SQUEEGEE BLADES POLYURETHAN
- * #909 5629 000 - NON MARKING FRONT SQUEEGEE BLADE



Item No.	Ref. No.	Qty	Description
1	9097001000	1	DECAL CONTROL PANEL 20 D
1	9097002000	1	DECAL CONTROL PANEL X 20 D, X 20 C, X 24 D
2	909 6499 000	1	CARD ELECTRONIC CONTROL PANEL BEFORE S.NO.072014255
2#	9097007000	1	CARD ELECTRONIC CONTROL PANEL STARTING FROM 072014255
3#	33005603	3	NUT HEX SELF LOCK M5
4	909 6545 000	1	GASKET
5	909 5313 000	1	INSPECTION PLATE
7#	L08812967	1	CLAMP, HOSE DIAM. 50MM
8	33004124	1	SCREW SOCKET HD M5X16 SS
9	145 8280 000	5	WASHER FLAT 5X15 SS
10	145 9211 000	2	SCREW
11	146 0783 000	5	SCREW PAN HD 4X10 THD
12	146 2888 000	1	SWITCH KEY WITH CAP
13	909 5009 000	4	SCREW OVAL HD M5X12 SS
14	909 6053 000	1	ELECTRIC COMPONENTS COVER
15	146 2887 000	1	KEY
16	909 6675 000	2	O-RING 132
17	145 1261 000	4	WASHER
18	146 2090 000	2	SCREW CYL HD M5X16
19	909 5149 000	1	SUPPORT CABLE
21*	9096951000	1	COUNTER HOUR 24V KIT
22#	909 6827 000	2	SCREW HEX HEAD M8X45
23#	33005915	2	WASHER FLAT 8X17
24#	33005607	2	NUT HEX SELF LOCK M8
[25]	145 8368 000	2	FUSE 3A (PCB FUNCTIONS - PUMP)
[26]	909 6678 000	1	FUSE 20A (CLICK ON/OFF - BRUSH)
[27]*	9096952000	1	INSTALLATION INSTRUCTIONS FOR COUNTER HOUR KIT



Item No.	Ref. No.	Qty	Description
1	145 8046 000	1	HOLDER FUSE
2	909 6498 000	1	SUPPORT
3	909 6676 000	2	SPACER M4 L=25
4	33005499	4	NUT HEX M3
5#	L08812801	2	SPACER
6#	L08812964	4	SCREW HEX HD M3X10
7#	L08812986	4	WASHER SPLIT 3 SS
8	145 8513 000	2	FUSE BLADE 30A (VACUUM - DRIVE MOTOR)
9	145 1261 000	2	WASHER 5X15X1,5 UNI6593
10	145 1449 000	3	CLAMP
11#	33003947	5	SCREW HEX HD M4X10
12	33005838	2	WASHER SPLIT 4
13#	33005839	5	WASHER M5 UNI1751B
14	145 6132 000	3	INSERT M5
15	145 5743 000	7	NUT SELF L. M4 UNI7474
16	145 3824 000	1	FUSE STRIP 40A (BRUSH MOTOR)
17	33003960	2	SCREW HEX. HD M5X12
18	145 9237 000	1	WASHER FLAT 4X12
20	146 0622 000	1	SCREW GRUB M5X12 UNI5929
21	146 0660 000	2	BLADE FUSE HOLDER
22	909 5127 000	1	ELECTROMAGNETIC SWITCH 24V (BRUSH MOTOR CONTACTOR)
23	9096908000	1	CARD ELECTRONIC TRACTION
24	909 6622 000	1	RELAY 24V 40A (VACUUM MOTOR CONTACTOR)
25	9096964000	1	HARNESS ELECTRIC BOX
27#	33005912	3	WASHER M5 UNI6592
28	909 6541 000	1	BATTERY CHARGER 24V 13A
29	9096914000	1	CABLE EXTENTION US
30#	146 1711 000	3	SCREW M5X20 UNI7687
31#	L08338600	1	CABLE HOLDER
32#	L08603668	2	SCREW THD FORM
33	146 1788 000	1	SCREW M4X12
[34]	9096962000	1	MACHINE HARNESS
[35]	909 6613 000	1	HARNESS VACUUM CLEANER
[36]	9096906000	1	BATTERY HARNESS
[37]#	L08812093	4	COVER, BATTERY TERMINAL
[38]	146 1986 000	1	CONNECTOR 120A



WIRING DIAGRAM
ADFINITY™ 20D / X20D / X20C / X24D
9096909000

COMPONENTS / COMPONENTI

BAT	24V BATTERIES	BATTERIE 24V	K1	KEY SWITCH	CHIAVE
C1	BATTERY CONNECTOR	CONNETTORE BATTERIE	M1	BRUSH MOTOR	MOTORE SPAZZOLA
C2	CHARGER CONNECTOR	CONNETTORE CARICABATTERIE	M2	VACUUM MOTOR	MOTORE ASPIRATORE
CH	BATTERY CHARGER (OPT)	CARICABATTERIE (OPT)	M3	DRIVE MOTOR	MOTORE TRAZIONE
CSC	CILINDRICAL DECK SECONDARY CONNECTOR	CONN. SECONDARIO TESTATA SPAZZ. CILINDRICHE	M4	WATER PUMP (OPT)	POMPA ACQUA (OPT)
EB1	CONTROL PANEL BOARD	SCHEDA ELETTRONICA CONTROLLO FUNZIONI	M5	DETERGENT PUMP (OPT)	POMPA DETERGENTE (OPT)
EB2	DRIVE ELECTRONIC BOARD	SCHEDA ELETTRONICA TRAZIONE	RV2	MAX SPEED POTENTIOMETER	POTENZIOMETRO VELOCITA' MASSIMA
ES1	BRUSH MOTOR ELECTROM. SWITCH	TELERUTTORE MOTORI SPAZZOLE	SW1	BRUSHES / DRIVE MICROSWITCH	MICROINTERR. CONSENSO SPAZZOLE/TRAZIONE
ES2	VACUUM MOTOR ELECTROM. SWITCH	RELE' ASPIRATORE	SW2	REV. GEAR MICROSWITCH	MICROINTERR. MARCIA INDIETRO
EV1	ELECTROVALVE	ELETTROVALVOLA			
F1	BRUSH DECK FUSE	FUSIBILE TESTATA SPAZZOLE			
F2	VACUUM MOTOR FUSE	FUSIBILE ASPIRATORE			
F3	DRIVE SYSTEM FUSE	FUSIBILE SISTEMA DI TRAZIONE			
F4	LOW POWER CIRCUIT FUSE	FUSIBILE CIRCUITI DI SEGNALE			
F5	BRUSH RELEASE FUSE	FUSIBILE SGANCIO SPAZZOLE			
F6	PUMP FUSE	FUSIBILE POMPE			
HM	HOURMETER (OPT)	CONTAORE (OPT)			

Ref. No.	DESCRIPTION	QTY	MACHINES
SOLUTION TANK			
	909 6671 000 SPONGE INLET FRESH WATER	1	Adfinity™ 20D/ X20D/ X20C/ X24D
	909 6521 000 SOLUTION HOSE	1	Adfinity™ 20D/ X20D/ X20C/ X24D
#	L08812457 CAP	1	Adfinity™ 20D/ X20D/ X20C/ X24D
	909 6554 000 SOLUTION CAP WITH CHAIN AND GASKET	1	Adfinity™ 20D/ X20D/ X20C/ X24D
	909 6534 000 SQUEEGEE LIFT CABLE	1	Adfinity™ 20D/ X20D/ X20C/ X24D
	909 6874 000 TANK CABLE KIT	1	Adfinity™ 20D/ X20D/ X20C/ X24D
	909 6875 000 SOLUTION TANK HARDWARE KIT	1	Adfinity™ 20D/ X20D/ X20C/ X24D
VACUUM / RECOVERY SYSTEM			
	909 6230 000 SQUEEGEE HOSE	1	Adfinity™ 20D/ X20D/ X20C/ X24D
	909 6528 000 DRAIN HOSE	1	Adfinity™ 20D/ X20D/ X20C/ X24D
#	56324497 CAGE FLOAT COMPLETE	2	Adfinity™ 20D/ X20D/ X20C/ X24D
	56391690 BALL FLOAT	1	Adfinity™ 20D/ X20D/ X20C/ X24D
#	L08812968 GASKET	1	Adfinity™ 20D/ X20D/ X20C/ X24D
	145 0543 000 HOSE CLAMP	2	Adfinity™ 20D/ X20D/ X20C/ X24D
	909 6899 000 CAP	1	Adfinity™ 20D/ X20D/ X20C/ X24D
	909 6640 000 ANTI SPLASH SQUEEGEE HOSE	1	Adfinity™ 20D/ X20D/ X20C/ X24D
#	909 6877 000 VACUUM MOTOR HARDWARE KIT	1	Adfinity™ 20D/ X20D/ X20C/ X24D
#	909 6876 000 RECOVERY TANK HARDWARE KIT	1	Adfinity™ 20D/ X20D/ X20C/ X24D
	909 6802 000 VACUUM MOTOR 24V 330W COMPLETE	1	Adfinity™ 20D/ X20D/ X20C/ X24D
	909 5371 000 CARBON BRUSH FOR VACUUM MOTOR	2	Adfinity™ 20D/ X20D/ X20C/ X24D
	909 6491 000 PANEL ACOUSTIC INSULATION	1	Adfinity™ 20D/ X20D/ X20C/ X24D
	909 6490 000 GASKET VACUUM MOTOR	1	Adfinity™ 20D/ X20D/ X20C/ X24D
	909 6489 000 GASKET VACUUM MOTOR	1	Adfinity™ 20D/ X20D/ X20C/ X24D
CHASSIS SYSTEM			
	909 6879 000 WHEEL CASTOR SS KIT	1	Adfinity™ 20D/ X20D/ X20C/ X24D
#	909 6878 000 CHASSIS SYSTEM HARDWARE KIT	1	Adfinity™ 20D/ X20D/ X20C/ X24D
DRIVE WHEEL SYSTEM			
	909 6863 000 WHEEL FRONT D.250 DRIVE	2	Adfinity™ 20D/ X20D/ X20C/ X24D
	909 6548 000 MOTOR DRIVE 24V 200W	1	Adfinity™ 20D/ X20D/ X20C/ X24D
	145 5124 000 CARBON BRUSHES FOR DRIVE MOTOR	2	Adfinity™ 20D/ X20D/ X20C/ X24D
HANDLE BAR			
	909 6881 000 HANDLE ASSEMBLY HARDWARE KIT	1	Adfinity™ 20D/ X20D/ X20C/ X24D
#	56325664 CAM HANDLE MICROSWITCH	1	Adfinity™ 20D/ X20D/ X20C/ X24D
	909 6544 000 SPEED POTENTIOMETER HARNESS	1	Adfinity™ 20D/ X20D/ X20C/ X24D
#	909 6677 000 MICROSWITCH	2	Adfinity™ 20D/ X20D/ X20C/ X24D
SOLUTION SYSTEM			
#	9096994000 VALVE ELBOW	1	Adfinity™ 20D/ X20D/ X20C/ X24D
#	9097166000 KIT, FILTER	1	Adfinity™ 20D/ X20D/ X20C/ X24D
#	9096996000 VALVE ELBOW WITH PIPES KIT	1	Adfinity™ 20D/ X20D/ X20C/ X24D
	909 6555 000 ELECTROVALVE	1	Adfinity™ 20D/ X20D/ X20C/ X24D
	909 6636 000 BARB L=105	1	Adfinity™ 20D/ X20D/ X20C/ X24D
	909 6637 000 BARB L=115	1	Adfinity™ 20D/ X20D/ X20C/ X24D
AXP - CHEMICAL SYSTEM			
	909 6744 000 AXP - ECO DOSAGE SOLUTION KIT	1	Adfinity™ X20D/ X20C/ X24D
	909 6807 000 HOSE KIT	1	Adfinity™ X20D/ X20C/ X24D
	909 6637 000 BARB	1	Adfinity™ X20D/ X20C/ X24D
	56315108 FLOWJET WATER PUMP	1	Adfinity™ X20D/ X20C/ X24D
#	56315500 CHEMICAL TANK	1	Adfinity™ X20D/ X20C/ X24D
	56315517 REFILLING CAP	1	Adfinity™ X20D/ X20C/ X24D
	56315522 CHECK VALVE	1	Adfinity™ X20D/ X20C/ X24D

RECOMMENDED SPARE PARTS

2007-01

38

Adfinity™ 20D / X20D / X20C / X24D

Ref. No. DESCRIPTION QTY MACHINES

AXP - CHEMICAL SYSTEM

	56315523	CAP	1	Adfinity™ X20D/ X20C/ X24D
	56315527	FLOATING SENSOR	1	Adfinity™ X20D/ X20C/ X24D
#	L08603893	KIT NET FILTER WITH GASKET	1	Adfinity™ X20D/ X20C/ X24D
#	9097166000	KIT FILTER	1	Adfinity™ X20D/ X20C/ X24D
	909 6183 000	CHEMICAL PUMP	1	Adfinity™ X20D/ X20C/ X24D
	909 6536 000	TEE FITTING	1	Adfinity™ X20D/ X20C/ X24D

SQUEEGEE SYSTEM

#	909 6055 000	FRONT STRAP	1	Adfinity™ 20D/ X20D/ X20C
#	L08603831	FRONT STRAP	1	Adfinity™ X24D
	909 6044 000	WELDMENT SQUEEGEE TOOL	1	Adfinity™ 20D/ X20D/ X20C
	909 5294 000	WELDMENT SQUEEGEE TOOL	1	Adfinity™ X24D
#	L08603675	NUT THUMB SQUEEGEE FIXING	2	Adfinity™ 20D/ X20D/ X20C/ X24D
	909 6551 000	KNOB 8X30 SS	1	Adfinity™ 20D/ X20D/ X20C
	909 6484 000	BLADE NEOPRENE REAR	1	Adfinity™ 20D/ X20D/ X20C
#	L08603832	BLADE PARA REAR	1	Adfinity™ X24D
	909 6483 000	BLADE NEOPRENE FRONT	1	Adfinity™ 20D/ X20D/ X20C
#	L08603830	BLADE NEOPRENE FRONT	1	Adfinity™ X24D
	909 6851 000	SQUEEGEE CPL ALU KIT 30"	1	Adfinity™ 20D/ X20D/ X20C
	909 5372 000	SQUEEGEE CPL KIT 32"	1	Adfinity™ X24D
	909 6882 000	FIXING SQUEEGEE KIT	1	Adfinity™ 20D/ X20D/ X20C
	909 6894 000	FIXING SQUEEGEE KIT	1	Adfinity™ X24D
	909 6883 000	SQUEEGEE WHEEL KIT	1	Adfinity™ 20D/ X20D/ X20C
#	L08603879	SQUEEGEE WHEEL KIT	1	Adfinity™ X24D
	909 6884 000	SQUEEGEE BUMPER ROLLER KIT	1	Adfinity™ 20D/ X20D/ X20C
#	L08603880	SQUEEGEE BUMPER ROLLER KIT	1	Adfinity™ X24D
	909 6394 000	KIT LATCH FOR SQUEEGEE	1	Adfinity™ 20D/ X20D/ X20C/ X24D
	909 6885 000	SQUEEGEE SUPPORT HARDWARE KIT	1	Adfinity™ 20D/ X20D/ X20C
	909 6886 000	SQUEEGEE SUPPORT HARDWARE KIT	1	Adfinity™ X24D

DISC SCRUB DECK

	909 6042 000	BRUSH DECK 530MM/20"	1	Adfinity™ 20D/ X20D
	909 6546 000	BRUSH MOTOR 480W 24V 135 RPM	1	Adfinity™ 20D/ X20D
	909 5380 000	KIT CARBON BRUSH	1	Adfinity™ 20D/ X20D
	56325648	FITTING 1/4	1	Adfinity™ 20D/ X20D
#	9097184000	SHOCK ABSORBER	1	Adfinity™ 20D/ X20D
	145 8564 000	SPLIT PIN	2	Adfinity™ 20D/ X20D
	909 6514 000	GAS SPRING	1	Adfinity™ 20D/ X20D
	9097093000	HOLDERPOLIG. W/FLAGE KIT	1	Adfinity™ 20D/ X20D
	909 6887 000	BUMPER ROLLER KIT	1	Adfinity™ 20D/ X20D
	909 6888 000	BRUSH SYSTEM HARDWARE KIT	1	Adfinity™ 20D/ X20D

CYLINDRICAL BRUSH DECK

	145 4366 000	TEE FITTING	1	Adfinity™ X20C
	909 5772 000	WATER HOSE	1	Adfinity™ X20C
	909 6890 000	SPLASH GUARD KIT	1	Adfinity™ X20C
	909 5805 000	HOPPER CYLYNDRICAL DECK	1	Adfinity™ X20C
#	9096983000	REDUCTIONGEAR MOTOR 300W	2	Adfinity™ X20C
#	145 8360 000	CARBON BRUSHES (4 PCS EACH MOTOR)	8	Adfinity™ X20C
	909 5820 000	BELT POLY-V	2	Adfinity™ X20C
	909 5870 000	HOSE	1	Adfinity™ X20C
	909 6889 000	BUMPER ROLLER KIT	1	Adfinity™ X20C
	909 6360 000	BELT TENSIONER KIT	1	Adfinity™ X20C
#	9097172000	SUPPORT CYL. BRUSH KIT	1	Adfinity™ X20C
#	9097173000	SUPPORT PULLEY KIT	1	Adfinity™ X20C

Ref. No.	DESCRIPTION	QTY	MACHINES
BRUSH DECK DOUBLE DISK			
145 8564 000	SPLIT PIN	1	Adfinity™ X24D
909 6727 000	BRUSH MOTOR 24V 350W 230RPM IP20	2	Adfinity™ X24D
# L08812589	HOLDER POLYG.W/FLANGE RIGHT KIT	1	Adfinity™ X24D
9097092000	HOLDER POLYG.W/FLANGE LEFT KIT	1	Adfinity™ X24D
909 5398 000	SPLASH GUARD FIT. KIT	1	Adfinity™ X24D
909 6891 000	HOSES KIT	1	Adfinity™ X24D
909 5894 000	BUMPER ROLLER KIT	1	Adfinity™ X24D
909 6893 000	KIT CARBON BRUSH	2	Adfinity™ X24D
CONTROL PANEL			
9097001000	DECAL CONTROL PANEL	1	Adfinity™ 20D
9097002000	DECAL CONTROL PANEL	1	Adfinity™ X20D/ X20C/ X24D
# L08812967	CLAMP, HOSE D.50	1	Adfinity™ 20D/ X20D/ X20C/ X24D
146 2888 000	ON/OFF KEY SWITCH WATERPROOF	1	Adfinity™ 20D/ X20D/ X20C/ X24D
# 9097007000	PCB FUNCTIONS 24V	1	Adfinity™ 20D/ X20D/ X20C/ X24D
145 8368 000	FUSE 3A	1	Adfinity™ 20D/ X20D/ X20C/ X24D
909 6678 000	FUSE 20A	1	Adfinity™ 20D/ X20D/ X20C/ X24D
ELECTRICAL SYSTEM			
9096908000	CARD ELECTRONIC	1	Adfinity™ 20D/ X20D/ X20C/ X24D
146 1986 000	CONNECTOR BATTERY	1	Adfinity™ 20D/ X20D/ X20C/ X24D
909 5127 000	ELECTROMAGNETIC SWITCH	1	Adfinity™ 20D/ X20D/ X20C/ X24D
909 6622 000	RELAY 24V 40A	1	Adfinity™ 20D/ X20D/ X20C/ X24D
145 3824 000	FUSE STRIP 40A	1	Adfinity™ 20D/ X20D/ X20C/ X24D
145 8513 000	FUSE BLADE 30A	2	Adfinity™ 20D/ X20D/ X20C/ X24D
909 6541 000	BATTERY CHARGER 24V 13A 100-240V 50/60HZ	1	Adfinity™ 20D/ X20D/ X20C/ X24D

OPTIONALS

2007-01

40

Adfinity™ 20D / X20D / X20C / X24D

Ref. No.	DESCRIPTION	QTY	MACHINES
	ACCESSORIES		
909 5327 000	REMOTE FILLIN HOSE	1	Adfinity™ 20D/ X20D/ X20C/ X24D
# 9096916000	FILTER	1	Adfinity™ 20D/ X20D/ X20C/ X24D
9096951000	HOUR COUNTER	1	Adfinity™ 20D/ X20D/ X20C/ X24D
909 6734 000	ELASTIC BAND KIT	1	Adfinity™ 20D/ X20D/ X20C/ X24D
909 6900 000	WHEEL CASTOR SS	1	Adfinity™ 20D/ X20D/ X20C/ X24D
# 9097026000	WHEEL FRONT D.250 DRIVE 65SH	2	Adfinity™ 20D/ X20D/ X20C/ X24D
909 6848 000	BRUSH DECK 530MM/20" WITH SQUEEGEE	1	Adfinity™ 20D/ X20D
56325504	BRUSHES - PROLENE	1	Adfinity™ 20D/ X20D
# L08837026	BRUSHES - PROLITE	1	Adfinity™ 20D/ X20D
# L08837027	BRUSHES - UNION MIX	1	Adfinity™ 20D/ X20D
# L08837028	BRUSHES - MIDLITE GRIT	1	Adfinity™ 20D/ X20D
# L08837029	BRUSHES - MID GRIT 240	1	Adfinity™ 20D/ X20D
# L08837065	BRUSHES - MAGNA GRIT 46	1	Adfinity™ 20D/ X20D
# L08837066	BRUSHES - DYNA GRIT 80	1	Adfinity™ 20D/ X20D
# L08837067	BRUSHES - AGLITE GRIT 500	1	Adfinity™ 20D/ X20D
56325502	PAD HOLDER KIT	1	Adfinity™ 20D/ X20D
909 6849 000	BRUSH DECK 510MM CYL KIT WITH SQUEEGEE	1	Adfinity™ X20C
# 909 5823 000	BRUSH CYL PROLITE	2	Adfinity™ X20C
# 909 5824 000	BRUSH CYL PROLITE PLUS	2	Adfinity™ X20C
# 909 5825 000	BRUSH CYL MIDLITE GRIT 180	2	Adfinity™ X20C
909 6850 000	BRUSH DECK 610MM KIT WITH SQUEEGEE	1	Adfinity™ X24D
# L08603842	BRUSHES - PROLENE	2	Adfinity™ X24D
# L08603873	BRUSHES - MIDGRIT 240	2	Adfinity™ X24D
# L08603872	BRUSHES - MIDLITE GRIT 180	2	Adfinity™ X24D
# L08603874	BRUSHES - PROLITE	2	Adfinity™ X24D
# L08603875	BRUSHES - UNION MIX	2	Adfinity™ X24D
# L08603939	PAD HOLDER KIT	2	Adfinity™ X24D
# L08603878	SQUEEGEE CPL KIT 30"	1	Adfinity™ 20D/ X20D/ X20C
909 6860 000	KIT SQUEEGEE BLADES NEOPRENE	1	Adfinity™ 20D/ X20D/ X20C
909 6858 000	KIT SQUEEGEE BLADES POLYURETAN	1	Adfinity™ 20D/ X20D/ X20C
909 5006 000	WEAR PACK: STD SQU.BLADES, FILTER, PREF.	1	Adfinity™ X24D
909 6859 000	KIT SQUEEGEE BLADES POLYURETAN	1	Adfinity™ X24D
909 5629 000	NON MARKING FRONT SQUEEGEE BLADE	1	Adfinity™ X24D
909 6744 000	AXP - ECO DOSAGE SOLUTION KIT	1	Adfinity™ 20D



Nilfisk-Advance, Inc.

14600 21st Avenue North
Plymouth, MN, 55447-3408
www.nilfisk-advance.com

Phone: 800-989-2235

Fax: 800-989-6566

©2006 Nilfisk-Advance, Inc.,
Plymouth, MN 55447-3408

Printed in Italy